

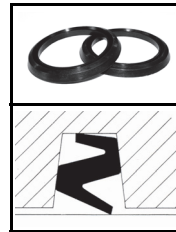
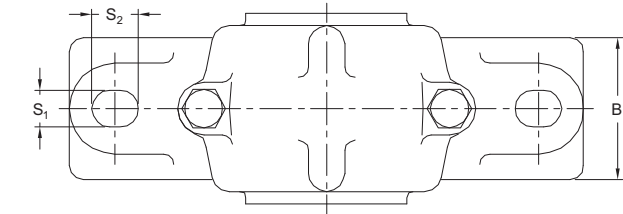
Plummer Block Housings



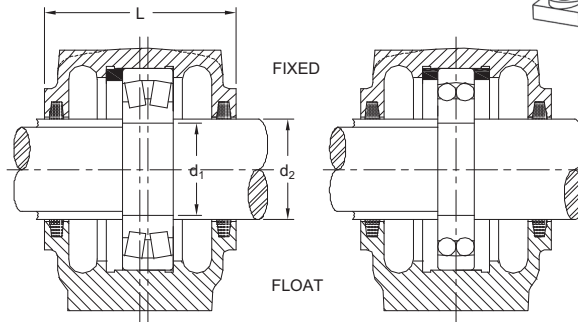
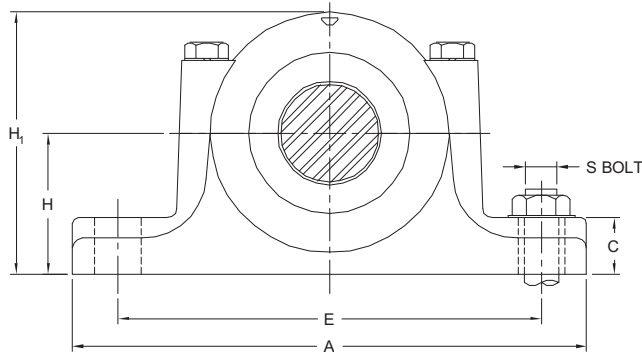
SN 300 Series

The SN Housings are fully interchangeable and are designed according to DIN 739. Each housing includes felt seals. V-ring Buna seals are also stocked as an option. See ZF type option next page. Fixing rings are

furnished with the housing. Identify bearing choice when ordering for appropriate quantity of fixing rings. Fixing ring removal creates expansion bearing. **Note: Spacer sleeve for d_2 seal to be supplied by user.**



Optional ZF Rubber Seal



Dimensions in mm

Part No.	d_1	d_2	H	H_1	L	A	B	C	E	S_1	S_2	S	Housing Wt. kg
SN305	25	30	50	90	77	185	45	22	150	13	22	M 10	1.8
SN306	30	35	50	92	82	185	45	22	150	13	20	M 10	2.0
SN307	35	45	60	106	85	205	50	25	170	15	20	M 12	2.6
SN308	40	50	60	112	90	205	50	25	170	15	20	M 12	3.0
SN309	45	55	70	127	95	255	58	28	210	18	23	M 12	4.2
SN310	50	60	70	133	105	255	60	30	210	18	23	M 16	4.8
SN311	55	65	80	148	110	275	65	30	230	18	24	M 16	6.1
SN312	60	70	80	154	115	280	65	30	230	18	26	M 16	6.5
SN313	65	75	95	175	120	315	75	32	260	22	29	M 20	8.9
SN314	70	80	95	185	130	320	90	32	260	22	31	M 20	10.0
SN315	75	85	100	192	140	345	85	35	290	22	27	M 20	12.5
SN316	80	90	112	209	145	345	85	35	290	22	27	M 20	14.5
SN317	85	95	112	215	160	380	95	40	320	26	32	M 24	16.5
SN318	90	105	112	220	160	380	110	40	320	26	32	M 24	18.0
SN319	95	110	125	239	175	410	100	45	350	26	32	M 24	18.5
SN320	100	115	140	271	185	410	100	45	350	26	32	M 24	24.5
SN322	110	125	150	295	190	450	115	50	390	28	35	M 24	34.5
SN324	120	135	160	320	200	530	160	60	450	35	42	M 30	51.9
SN326	130	150	170	340	210	550	160	60	470	35	42	M 30	60.5
SN328	140	160	180	367	235	620	170	65	520	35	42	M 30	82.0
SN330	150	170	190	385	245	650	180	65	560	35	42	M 30	92.0
SN332	160	180	200	405	255	680	190	70	580	42	50	M 36	112.0

Plummer Block Housing Accessories



Bearings, Seal Kits and Fixing Rings

Shaft Size d ₂ mm	Housing Part No.	Bearing Part No.	Basic Dynamic Rating C kN	Seal Kits		Fixing Rings	
				Felt Seals Standard (2 Required)	ZF Rubber Seals Optional (2 Required)	Size	Qty
30	SN 305	1305	18	FS120 x 5 x 6	ZF07	FR 62 x 9	2
		2305	24			FR 62 x 10	1
		21305	41			FR 62 x 9	2
35	SN 306	1306	21	FS130 x 5 x 6	ZF08	FR 72 x 8.5	2
		2306	31			FR 72 x 10	1
		21306	55			FR 72 x 8.5	2
45	SN 307	1307	25	FS165 x 5 x 6	ZF10	FR 80 x 10	2
		2307	39			FR 80 x 10	1
		21307	65			FR 80 x 10	2
50	SN 308	1308	29	FS200 x 6.5 x 8	ZF11	FR 90 x 10	2
		2308	45			FR 90 x 10	1
		21308	82			FR 90 x 10	2
		22308	112			FR 90 x 10	1
55	SN 309	1309	38	FS200 x 6.5 x 8	ZF12	FR 100 x 10.5	2
		2309	54			FR 100 x 10	1
		21309	100			FR 100 x 10.5	2
		22309	135			FR 100 x 10	1
60	SN 310	1310	41	FS210 x 6.5 x 8	ZF13	FR 110 x 11.5	2
		2310	64			FR 110 x 10	1
		21310	120			FR 110 x 11.5	2
		22310	175			FR 100 x 10	1
65	SN 311	1311	51	FS230 x 6.5 x 8	ZF15	FR 120 x 12	2
		2311	75			FR 120 x 10	1
		21311	138			FR 120 x 12	2
		22311	195			FR 120 x 10	2
70	SN 312	1312	57	FS260 x 7.5 x 9	ZF16	FR 130 x 12.5	2
		2312	86			FR 130 x 10	1
		21312	160			FR 130 x 12.5	2
		22312	230			FR 130 x 10	1
75	SN 313	1313	62	FS260 x 7.5 x 9	ZF17	FR 140 x 12.5	2
		2313	95			FR 140 x 10	1
		21313	184			FR 140 x 12.5	2
		22313	250			FR 140 x 10	1
80	SN 314	1314	75	FS150 x 7.5 x 9	ZF18	FR 150 x 13	2
		2314	110			FR 150 x 10	1
		21314	207			FR 150 x 13	2
		22314	310			FR 150 x 10	1
85	SN 315	1315	80	FS155 x 7.5 x 9	ZF19	FR 160 x 14	2
		2315	122			FR 160 x 10	1
		21315	235			FR 160 x 14	2
		22315	340			FR 160 x 10	1
90	SN 316	1316	88	FS165 x 8.5 x 10	ZF20	FR 170 x 14.5	2
		2316	137			FR 170 x 10	1
		21316	258			FR 170 x 14.5	2
		22316	370			FR 170 x 10	1
95	SN 317	1317	98	FS175 x 8.5 x 10	ZF21	FR 180 x 14.5	2
		2317	140			FR 180 x 10	1
		21317	292			FR 180 x 14.5	2
		22317	420			FR 180 x 10	1
105	SN 318	1318	108	FS185 x 10 x 12	-	FR 190 x 15.5	2
		2318	153			FR 190 x 10	1
		21318	320			FR 190 x 15.5	2
		22318	475			FR 190 x 10	1
110	SN 319	1319	133	FS210 x 10 x 12	ZF24	FR 200 x 16	2
		2319	165			FR 200 x 10	1
		21319	350			FR 200 x 16	2
		22319	515			FR 200 x 10	1
115	SN 320	1320	143	FS210 x 10 x 12	ZF26	FR 215 x 18	2
		2320	190			FR 215 x 10	1
		21320	385			FR 215 x 18	2
		22320	600			FR 215 x 10	1
125	SN 322	20322	400	FS230 x 10 x 12	ZF28	FR 240 x 20	2
		21322	460			FR 240 x 20	2
		22322	720			FR 240 x 10	1
135	SN 324	20324	466	FS230 x 10 x 12	ZF30	FR 260 x 20.5	2
		22324	840			FR 260 x 10	1
150	SN 326	20326	528	FS260 x 10 x 12	ZF34	FR 280 x 22.5	2
		22326	970			FR 280 x 10	1
160	SN 328	20328	616	FS265 x 10 x 12	ZF36	FR 300 x 25	2
		22328	1120			FR 300 x 10	1
170	SN 330	20330	686	FS280 x 10 x 12	ZF38	FR 320 x 26.5	2
		22330	1250			FR 320 x 10	1
180	SN 332	20332	760	FS300 x 10 x 12	ZF40	FR 340 x 28	2
		22332	1375			FR 340 x 10	1