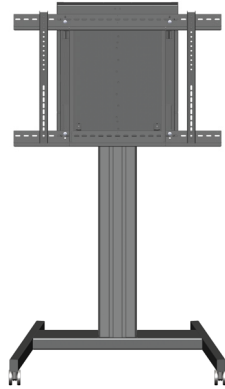


## Manual Height-Adjustable Mobile Stand Specifications

Compatible with all sizes of ActivPanel 5, ActivPanel i-Series, ActivPanel 6, and ActivPanel Elements series



### PHYSICAL SPECIFICATIONS

Product Dimensions	1039 x 1800 x 731 mm (47 x 71 x 29 in)
Packed Dimensions	Box 1 of 4: 1100 x 770 x 175 mm (43.3 x 30.3 x 6.9 in) Box 2 of 4: 1215 x 250 x 180 mm (47.8 x 10 x 7.1 in) Box 3 of 4: 630 x 740 x 95 mm (29 x 25 x 3.7 in) Box 4 of 4: 635 x 545 x 95 mm (25 x 21.5 x 3.7 in)
Net Weight	58 kg (128 lbs)
Packed Weight	Box 1 of 4: 30.3 kg (67 lbs) Box 2 of 4: 16.6 kg (37 lbs) Box 3 of 4: 24 kg (53 lbs) Box 4 of 4: 4.6 kg (10 lbs)
Travel Distance (Adjustable Height)	400 mm (15.7 in)

### PACKED CONTENTS

What's in the Box	Box 1 of 4: Mobile base, panel adapter Box 2 of 4: Fixed column, spacer, screw kit, user guide Box 3 of 4: Manual height-adjustable mount Box 4 of 4: Cover kit
-------------------	--

### ADDITIONAL REQUIREMENTS

Requires the Promethean VESA mount (AP-WALLMNT or AP-WALLMNT-2) that ships as standard with some panels.

For customers interested in retrofitting their fixed-height mobile stand (APFSM) with the manual height adjustment, Box 3 and Box 4 are required (AP-ASW-70/90 and AP-ASM-COVER, respectively). Please consult compatibility matrix for additional information.

### OPTIONAL ACCESSORIES

Push/pull handles, laptop tray, camera mount

### WARRANTY

Five-Year Warranty (upgrade options available and vary by region). For more information, visit [PrometheanWorld.com/ActivCare](http://PrometheanWorld.com/ActivCare).

### INSTALLATION

The installation of this product should be completed by a qualified installer. Use of components not supplied by Promethean or not meeting minimum specifications may impact performance, safety and warranty. For more information, visit [Support.PrometheanWorld.com](http://Support.PrometheanWorld.com).

### COMPLIANCE & CERTIFICATION

Regulatory Certification      UL Recognized 62368-1, CE, CB

### SUPPORT

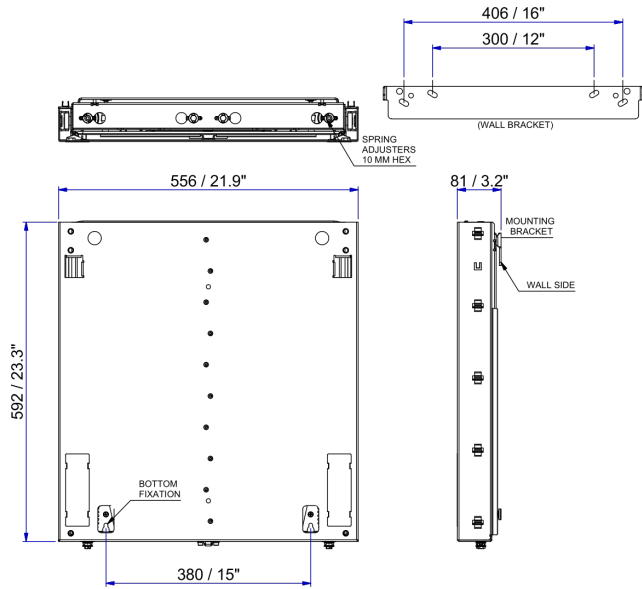
For all Promethean products, visit [Support.PrometheanWorld.com](http://Support.PrometheanWorld.com).

Manual Height-Adjustable Stands for ActivPanel 2019 v7 5S 07/20 v1.2 EN

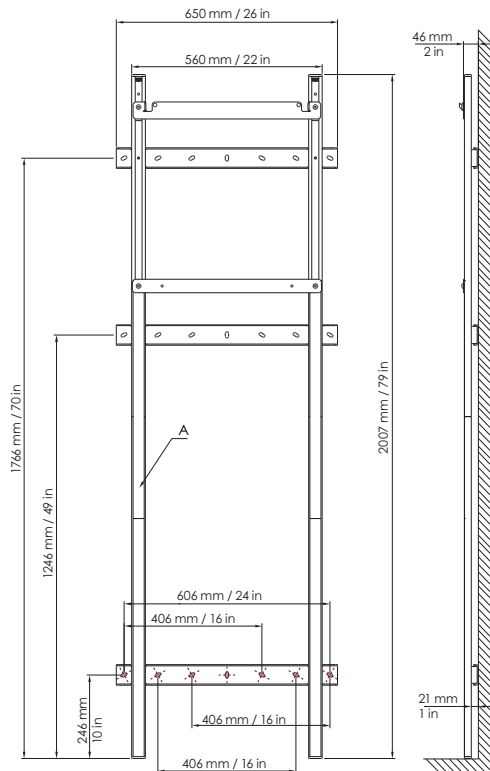
© 2020 Promethean Limited. All rights reserved. Promethean Ltd. is owner of a number of trademarks in several jurisdictions across the world including but not limited to Promethean, the Promethean logo, ActivPanel, Nickel, Cobalt, Titanium, Vellum, and ActivSoundBar. All third-party trademarks (including logos and icons) referenced by Promethean remain the property of their respective owners. Unless specifically identified as such, Promethean's use of third-party trademarks does not indicate any relationship, sponsorship, or endorsement between Promethean and the owners of these trademarks. Applicable Terms and Conditions for warranty and support available at [PrometheanWorld.com/Warranty](http://PrometheanWorld.com/Warranty). All weights and dimensions are approximate. Product specifications are subject to change without notice. [PrometheanWorld.com](http://PrometheanWorld.com).

**TECHNICAL DRAWINGS**

Manual Height-Adjustable Wall Mount



Manual Height-Adjustable Wall Mount Floor Support

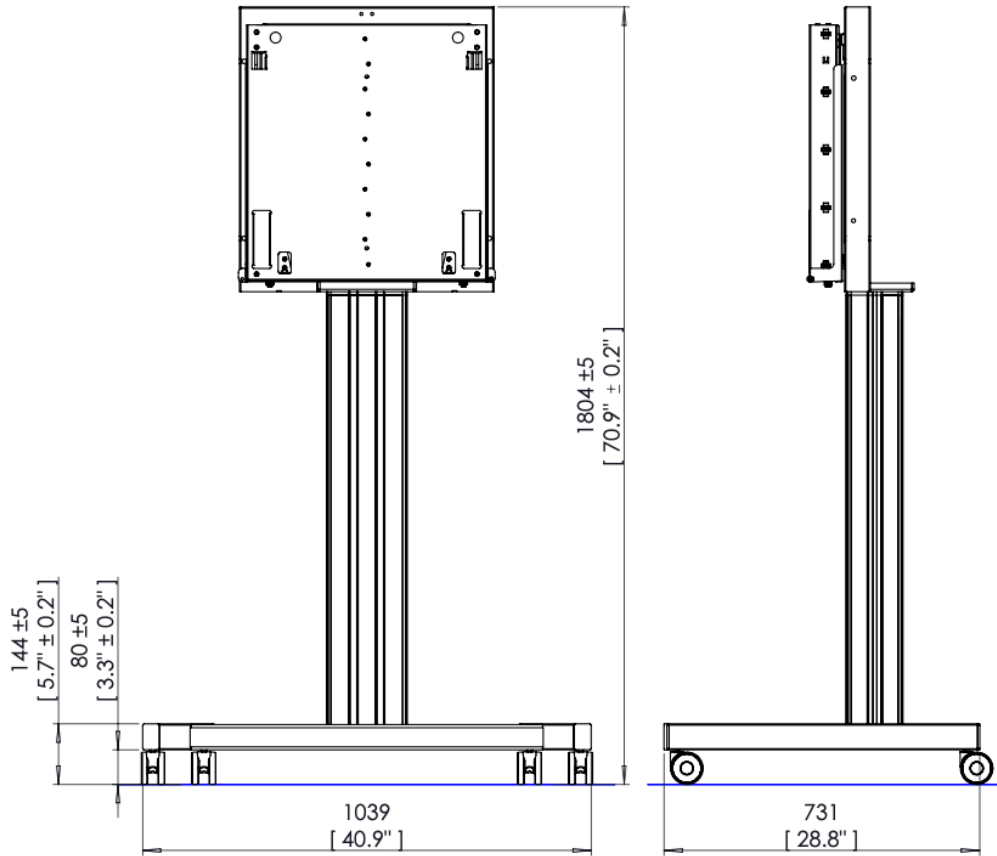


Manual Height-Adjustable Stands for ActivPanel 2019 v7 5S 07/20 v1.2 EN

© 2020 Promethean Limited. All rights reserved. Promethean Ltd. is owner of a number of trademarks in several jurisdictions across the world including but not limited to Promethean, the Promethean logo, ActivPanel, Nickel, Cobalt, Titanium, Vellum, and ActivSoundBar. All third-party trademarks (including logos and icons) referenced by Promethean remain the property of their respective owners. Unless specifically identified as such, Promethean's use of third-party trademarks does not indicate any relationship, sponsorship, or endorsement between Promethean and the owners of these trademarks. Applicable Terms and Conditions for warranty and support available at [PrometheanWorld.com/Warranty](http://PrometheanWorld.com/Warranty). All weights and dimensions are approximate. Product specifications are subject to change without notice. [PrometheanWorld.com](http://PrometheanWorld.com).

TECHNICAL DRAWINGS

Manual Height-Adjustable Mobile Stand



Manual Height-Adjustable Stands for ActivPanel 2019 v7 SS 07/20 v1.2 EN

© 2020 Promethean Limited. All rights reserved. Promethean Ltd. is owner of a number of trademarks in several jurisdictions across the world including but not limited to Promethean, the Promethean logo, ActivPanel, Nickel, Cobalt, Titanium, Vellum, and ActivSoundBar. All third-party trademarks (including logos and icons) referenced by Promethean remain the property of their respective owners. Unless specifically identified as such, Promethean's use of third-party trademarks does not indicate any relationship, sponsorship, or endorsement between Promethean and the owners of these trademarks. Applicable Terms and Conditions for warranty and support available at [PrometheanWorld.com/Warranty](http://PrometheanWorld.com/Warranty). All weights and dimensions are approximate. Product specifications are subject to change without notice. [PrometheanWorld.com](http://PrometheanWorld.com).