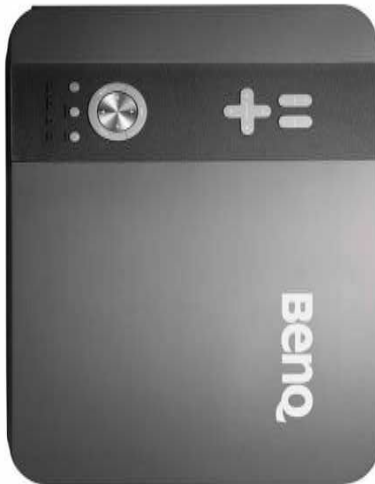


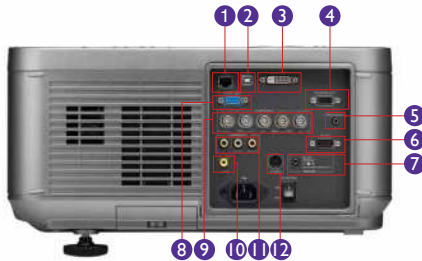


Features

- Native XGA (1024x768) Resolution
- 6,500 ANSI Lumens; 2,800:1 Contrast Ratio
- Powered Focus, Zoom & Lens Shift
- 7 Optional Lenses



Input and Output Terminals - Left Side View



- | | |
|-----------------------------|----------------------------------|
| 1 LAN (RJ45) | 7 12V Trigger |
| 2 USB (Type B) | 8 Computer 1 in (D-sub 15pin) |
| 3 DVI-D in | 9 Computer 2 in (5BNC,R/G/B/H/V) |
| 4 Monitor Out (D-sub 15pin) | 10 Component Video in (Y/Pb/Pr) |
| 5 Wired Remote | 11 Composite Video in (RCA) |
| 6 RS232 (DB-9pin) | 12 S-Video in (Mini Din 4 pin) |

Specifications

| | | |
|-----------------------------|---------------------------------------------------------------------------------------------------------------------------------------------------------------------------------------------------------------------------------------------------------------------------------------------------------------------------------------------------------------------------------------------|--|
| Projection System | DLP® | |
| Native Resolution | XGA(1024x768) | |
| Brightness | 6,500 ANSI lumens (Dual lamp, Standard lens) | |
| Contrast Ratio | 2,800:1 | |
| Display Color | 1.07 Billion Colors | |
| Aspect Ratio | Native 4:3 (5 aspect ratio selectable) | |
| Image Size Diagonal | 50"~300" | |
| Lamp Type | 280W x 2 | |
| Lamp(Normal/Economic Mode)* | 2,000/2,500 hours | |
| Keystone Adjustment | Vertical ± 30 degrees | |
| Resolution Support | VGA(640 x 480) to UXGA(1600 x 1200) | |
| Horizontal Frequency | 31K~92KHz | |
| Vertical Scan Rate | 23~85Hz | |
| Compatibility | HDTV Compatibility: 480i, 480p, 576i, 576p, 720p, 1080i, 1080p Video Compatibility: NTSC, PAL, SECAM | |
| Interface | Computer 1 in (D-sub 15pin) x 1 Computer 2 in (5BNC, R/G/B/H/V) x 1 Monitor out (D-sub 15pin) x 1 DVI-D in x 1 Component Video in (Y/Pb/Pr) x 1 Composite Video in (RCA) x 1 S-Video in (Mini Din 4 pin) x 1 LAN (RJ45) x 1 (LAN Control) USB (Type B) x 1 (Download) 12V Trigger x 1 RS232 (DB-9pin) x 1 Wired Remote x 1 IR Receiver x 2 (Front+Rear) | |
| Dimensions (WxHxD) | 20" x 7.7" x 15.3" | |
| Weight | 36.3 lbs (Without lens) | |
| Power Supply | AC100 V, 7.2A, 50 to 60 Hz | |
| Power Consumption | AC100 V, 710W (Standby Power <0.5W) | |
| Audible Noise | 39 /34 /35/ 32 db (Dual lamp normal / Single lamp normal) | |
| On-Screen Display Languages | List Languages | |
| Picture Mode | Presentation/Standard/Game/Movie/sRGB | |
| Accessories (Standard) | Remote Control w/ Battery, Power Cord, User Manual CD, Quick Start Guide, Warranty Card, VGA(D-sub 15pin) Cable, 6 Segments Color Wheel | |
| Accessories (Optional) | Spare Lamp Kit: P/N 5J.JAM05.001 Ceiling Mount P/N: 5J.J4N10.001 Optional Lens: (see reference chart) • Wide Fix(5J.JAM37.011) • Ultra Wide (5J.JAM37.061) • Wide Zoom(5J.JAM37.021) • Standard(5J.JAM37.001) • Semi Long(5J.JAM37.051) • Long Zoom1(5J.JAM37.031) • Long Zoom2 (5J.JAM37.041) | |
| UPC Code / Part # | 8400460-2966-1 / #9H.JAM77.26E | |
| Limited Warranty | 3 Years Parts & Labor / 1 Year or 2,000 hours of lamp life | |

*Lamp life results will vary depending on environmental conditions and usage. Actual product's features and specifications are subject to change without notice.

| BenQ Lens | P/N | Zoom Ratio | XGA | Marketing Model |
|-----------------|--------------|------------|-------------|-----------------|
| STD Lens | 5J.JAM37.001 | 1.3x | 1.79~2.35:1 | PZL-001 |
| Wide Fix | 5J.JAM37.011 | Fixed | 0.79:1 | PFL-011 |
| Wide Zoom | 5J.JAM37.021 | 1.4x | 1.31~1.85:1 | PZL-021 |
| Long Zoom 1 | 5J.JAM37.031 | 1.5x | 3.71~5.57:1 | PZL-031 |
| Long Zoom 2 | 5J.JAM37.041 | 1.55x | 5.5~8.56:1 | PZL-041 |
| Semi Long Zoom | 5J.JAM37.051 | 1.65x | 2.33~3.81:1 | PZL-051 |
| Ultra Wide Zoom | 5J.JAM37.061 | 1.25x | 0.77~0.97:1 | PZL-061 |

PX9600 11-19-13-BQus



ProSelecta

View :: Compare :: Select - www.ProSelecta.com



PX9600 Digital Projector

Distance Chart

| Standard - PZL-001 (5J.JAM37.001) | |
|-----------------------------------|----------------------------------|
| Screen Size (Inches) | PX9600 - Projection Distance (m) |
| 80 | 2.90-3.83 |
| 100 | 3.65-4.80 |
| 120 | 4.39-5.78 |
| 150 | 5.50-7.24 |
| 200 | 7.36-9.67 |
| 300 | 11.07-14.54 |
| 400 | 14.79-19.41 |
| 500 | 18.5-24.28 |

| Wide Fix - PFL-011 (5J.JAM37.011) | |
|-----------------------------------|----------------------------------|
| Screen Size (Inches) | PX9600 - Projection Distance (m) |
| 80 | 1.29 |
| 100 | 1.62 |
| 120 | 1.96 |
| 150 | 2.46 |
| 200 | 3.3 |
| 300 | 4.97 |
| 400 | 6.64 |
| 500 | 8.31 |

| Wide Zoom - PZL-021 (5J.JAM37.021) | |
|------------------------------------|----------------------------------|
| Screen Size (Inches) | PX9600 - Projection Distance (m) |
| 80 | 2.11-3.02 |
| 100 | 2.65-3.79 |
| 120 | 3.28-4.56 |
| 150 | 3.99-5.71 |
| 200 | 5.34-7.63 |
| 300 | 8.04-11.47 |
| 400 | 10.74-15.31 |
| 500 | 13.44-19.14 |

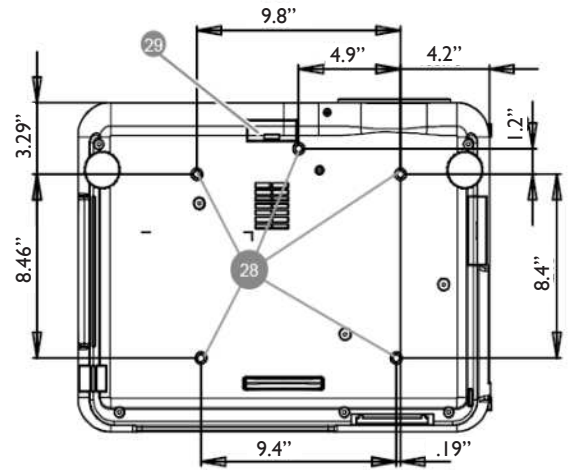
| Long Zoom1 - PZL-031 (5J.JAM37.031) | |
|-------------------------------------|----------------------------------|
| Screen Size (Inches) | PX9600 - Projection Distance (m) |
| 80 | 6.02-9.12 |
| 100 | 7.56-11.43 |
| 120 | 9.10-13.74 |
| 150 | 11.41-17.21 |
| 200 | 15.26-22.99 |
| 300 | 22.95-34.56 |
| 400 | |
| 500 | |

| Long Zoom2 - PZL-041 (5J.JAM37.041) | |
|-------------------------------------|----------------------------------|
| Screen Size (Inches) | PX9600 - Projection Distance (m) |
| 80 | 8.91-14.07 |
| 100 | 11.22-17.66 |
| 120 | 13.52-21.25 |
| 150 | 16.97-26.64 |
| 200 | 22.73-35.62 |
| 300 | 34.24-53.57 |
| 400 | 30.65-46.12 |
| 500 | 38.34-57.69 |

| Semi Long - PZL-051 (5J.JAM37.051) | |
|------------------------------------|----------------------------------|
| Screen Size (Inches) | PX9600 - Projection Distance (m) |
| 80 | 3.73-6.24 |
| 100 | 4.69-7.82 |
| 120 | 5.64-9.40 |
| 150 | 7.07-11.07 |
| 200 | 9.46-15.72 |
| 300 | 14.23-23.62 |
| 400 | 18.99-31.52 |
| 500 | 23.76-39.42 |

| Ultra Wide - PZL-061 (5J.JAM37.061) | |
|-------------------------------------|----------------------------------|
| Screen Size (Inches) | PX9600 - Projection Distance (m) |
| 80 | 1.25-1.57 |
| 100 | 1.56-1.97 |
| 120 | 1.87-2.36 |
| 150 | 2.34-2.95 |
| 200 | 3.12-3.94 |
| 300 | 4.69-5.91 |
| 400 | 6.25-7.88 |
| 500 | 7.82-9.85 |

Ceiling Mount Chart



Units: inch

Dimensions

