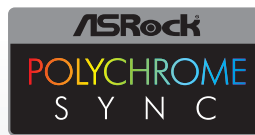


# AQUAFUSION

AIO CPU Cooler



ELC-AQF240-SQA



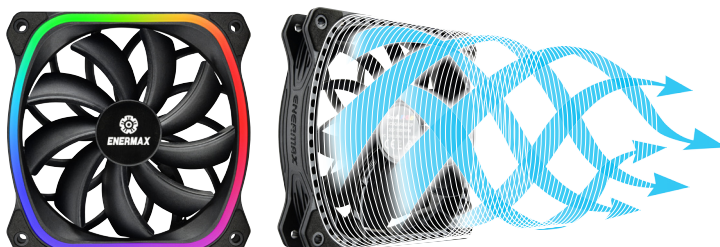
- ▼ Glossy acrylic and Aurabelt™ water block for vivid lighting effects
- ▼ ENERMAX SquA RGB fans included
- ▼ Patented Shunt-Channel-Technology



AQUAFUSION, an addressable RGB liquid cooler for Intel and AMD CPU platforms, includes a unique RGB water-block with glossy acrylic cover and luminous Aurabelt™ for step-shaped splendid lighting effects. Together with ENERMAX SquA RGB addressable fans, AQUAFUSION can create dynamic visual experience via motherboard software or included control box. The included ENERMAX SquA RGB fans featuring vortex frame design can generate centered and stronger air pressure, especially perfect for radiator. With the patented SCT design, the cold plate can eliminate the "Boundary Layer" to increase coolant flow momentum and accelerate heat transfer performance. AQUAFUSION is a one of a kind cooling solution for custom gaming rigs or stunning system builds.

## Features

- ▼ Luminous Aurabelt™ for vivid lighting effects  
The 3D Layer Design with Aurabelt provides unique rainbow effects with 16.8 million colors



- ▼ ENERMAX SquA RGB (fans)  
ENERMAX square-shaped RGB fans featuring vortex frame design can generate centered, stronger air pressure, especially perfect for radiator

**Addressable RGB lighting synchronization**

Synchronizable RGB lighting with motherboards featuring an addressable RGB header (pin assignment: +5V/D/G).



**2 ways to control RGB lighting effects**



**Through Motherboard Software**

Users can sync the RGB lighting with motherboards featuring addressable RGB headers (pin assignment: 5V/D/-/G).

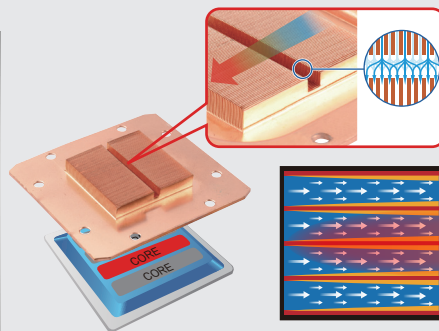
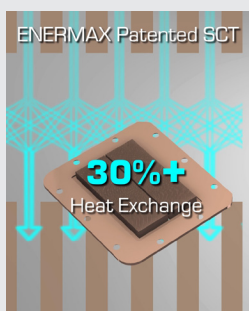


**Through ENERMAX RGB Control Box**

Users can use the included control box to adjust preferred lighting effects (10 pre-set effects), brightness and speed.

**Patented Shunt-Channel-Technology (SCT) cold plate design boosts thermal conductivity and eliminates heat surge**

ENERMAX patented SCT (Shunt-Channel-Technology) cold plate design helps eliminate the "Boundary Layer" to increase the coolant flow momentum and accelerate heat transfer performance. The SCT also lets heated and non-heated coolant to swap the channel and increase utilization rate.



With SCT

Without SCT

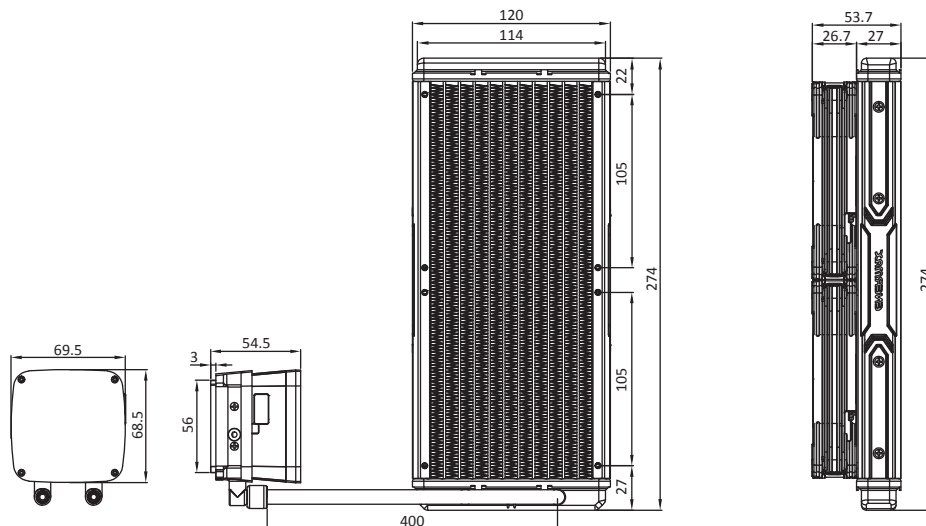
**Premium 400mm weaved tubing is perfect for mainstream system builds**



The radiator offers high heat exchange capacity thanks to the fine channels and thin aluminum fins design. AQUAFUSION comes in 2 sizes: compact 120mm one and double-length 240mm radiator

## Dimensions

unit:mm



## Specifications

Model Number		ELC-AQF240-SQA
CPU Socket		Intel® LGA 2066/2011-3/2011/1366/1156/1155/1151/1150 AMD® AM4/AM3+/AM3/AM2+/AM2/FM2+/FM2/FM1
Material		Copper Base with Aluminum Radiator
Pump	Bearing	Ceramic Bearing
	MTBF	50,000 hrs
	Rated Voltage (V)	12V
	Rated Current (A)	0.45A
Water Block	Rated Current-RGB LED (A)	0.5A (5V)
Fan	Dimension	120 x 120 x 26 mm
	MTBF	≧ 100,000 hr
	Speed	500-2000 rpm
	Rated Voltage	12V
	Rated Current-Fan (A)	0.38A (12V)
	Rated Current-RGB LED (A)	0.68A (5V)
	Air Flow	39~79.8CFM
	Static Pressure	0.67~3.6mm-H <sub>2</sub> O
	Noise Level	17~32.6dBA
Connector		4 Pin PWM + 4 Pin RGB (W/ extension adapter)
Thermal Grease		Dow Corning® TC-5121 2g
Shipping information		
Barcode	EAN	4713157723888
	UPC	819315023884
Box Dimension		330 x 207 x 138mm
Gross Weight / unit		1.89 kgs
Carton Dimension		435 x 355 x 440mm
Q'ty / carton		6 PCS
Gross Weight / Carton		12.59 kgs