

DSF265L
DSF265P



Display size
46"-65"



Max load
65lb (29.5kg)

Floor to Ceiling Cable Mount

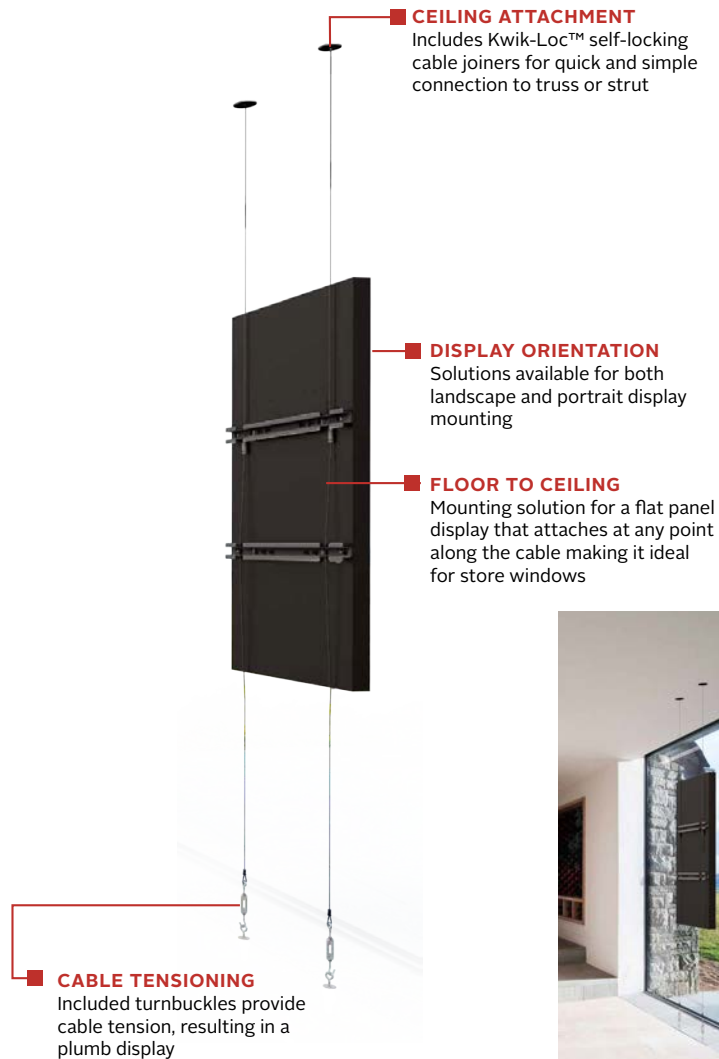
FOR 46" TO 65" DISPLAYS

Peerless-AV's Floor to Ceiling Cable Mount is the ideal digital signage mounting solution for store windows. This sleek mount allows businesses to create a platform for eye-catching content, delivered on a mounting solution that is discreet and unobtrusive. With a multitude of installer friendly features, this mount is suspended on high tensile steel wire, which is a highly secure and stable foundation for displays up to 65" (max weight 65lb). The ability to position the screen at any point along the cable length, and the choice of either landscape or portrait orientation, make this an incredibly versatile solution that can be adapted to suit a wide range of both retail and commercial applications.

Peerless-AV's sleek Cable Mount is an ideal digital signage mounting solution that will enhance your in-store window display.

Additional Features

- ✓ Kwik-Grip™ cable hardware instantly sets the adaptor height without the use of a tool
- ✓ Keyhole slotted adaptor plate simplifies the install
- ✓ Included eye-screws and decorative plates provide an aesthetically pleasing finish and simple cable connection



Ideal Solution for Store Windows

RoHS

DSF265L	Floor to Ceiling Cable Mount, Landscape
DSF265P	Floor to Ceiling Cable Mount, Portrait

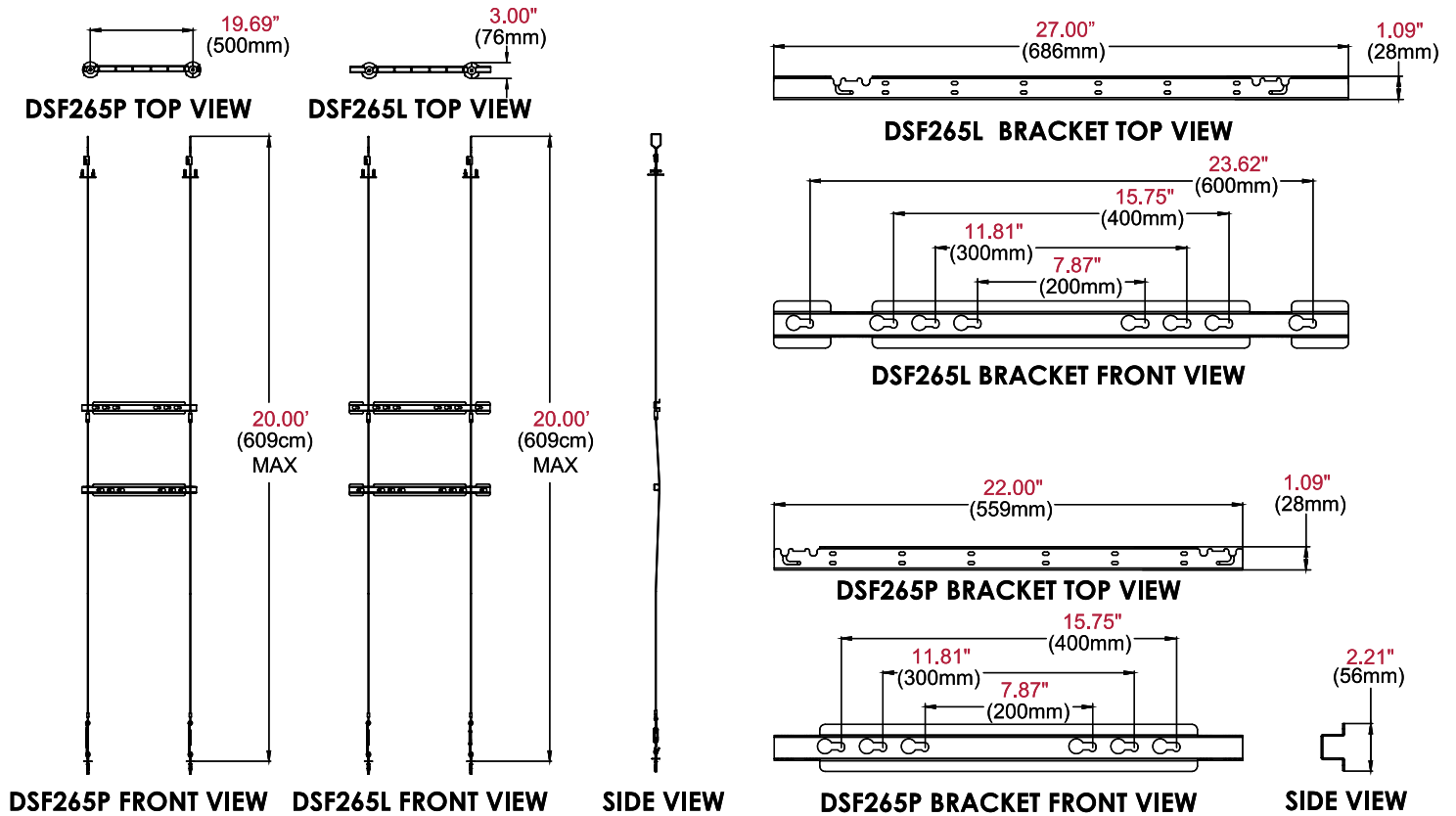
Product Specifications

	DIMENSIONS	PRODUCT WEIGHT	LOAD CAPACITY	FINISH	AVAILABLE COLORS
DSF265L	22' (6.7m) Cables	6.75lb (3.1kg)	65lb (29.5kg)	Matte/Flat	Black, Silver
DSF265P		6lb (2.7kg)			

Package Specifications

	PACKAGE SIZE (W x H x D)	PACKAGE SHIP WEIGHT	PACKAGE UPC CODE	PACKAGE CONTENTS	UNITS IN PACKAGE
DSF265L	37.00" x 4.50" x 4.25" (5940 x 114 x 108mm)	7.33lb (3.3kg)	735029316121	Cables (2), Adaptor Rails and Mounting Hardware	1
DSF265P		6.5lb (3.0kg)	735029316138		

All dimensions = inch (mm)



Architect Specifications

The Floor to Ceiling Cable Mount shall be a Peerless-AV model DSF265L or DSF265P and shall be located where indicated on the plans. Assembly and installation shall be done according to instructions provided by the manufacturer.

Visit peerless-av.com to see the complete line of AV solutions from Peerless-AV, including outdoor displays, wireless, kiosks, digital audio, display mounts, projector mounts, carts/stands, and a full assortment of accessories.

Peerless-AV
 2300 White Oak Circle
 Aurora, IL 60502 USA
(800) 865-2112
(630) 375-5100
Fax: (800) 359-6500

Peerless-AV Europe
 Unit 3 Watford Interchange
 Colonial Way, Watford
 Herts, WD24 4WP
 United Kingdom
+44 (0) 1923 200100
Fax: +44 (0) 1923 200101

Peerless-AV de México
 Ave de las Industrias 413
 Parque Industrial Escobedo
 Escobedo, N.L.,
 Mexico 66050
+52 (81) 8384-8300
Fax: +52 (81) 8384-8360



DST940-BTB



Display size*
37"-46"



Max load
300lb (136kg)
75lb (34kg) per display

DUAL DISPLAY BACK-TO-BACK CEILING MOUNT SYSTEM

FOR 37"-46" DISPLAYS*

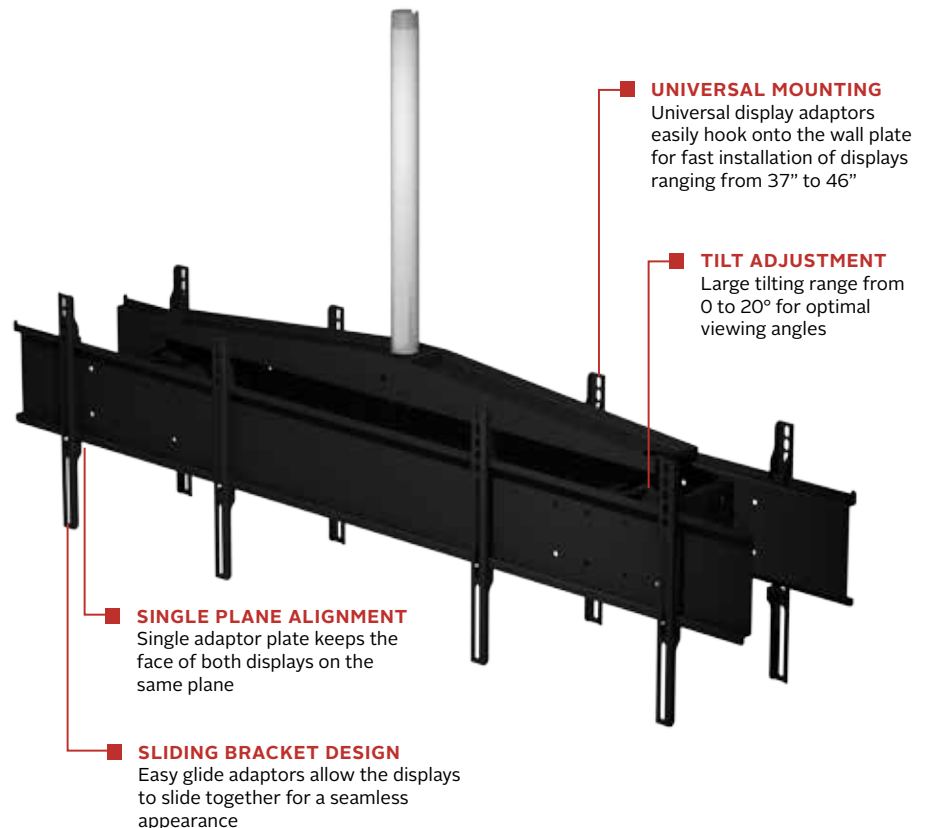
Two separate displays sitting side-by-side in the front and the back can only mean one thing: a win-win situation. The DST940-BTB from Peerless-AV mounts 2x1 displays back-to-back with exceptional alignment. Installation and adjustment have never been easier because both displays slide horizontally and tilt up to 20 degrees to ensure the message is placed at its ideal viewing angle. This makes the mounting solution perfect for restaurant menu signage, airport flight information displays or entertainment and department store applications.

*Contact Peerless-AV Customer Care for displays 32"-36" and 47"-50"

The DST940-BTB aligns two displays on the same plane in the front and the back, providing one continuous mounting surface in each direction.

Additional Features

- ✓ A robust design ensures displays are securely attached to the adaptor plate
- ✓ Displays quickly hook onto adaptor plate for fast installation
- ✓ Tilt ranges from 0 to 20°



DST940-BTB Back-To-Back Dual Display Ceiling Mount System for 37"-46" Displays (Contact Peerless-AV Customer Care for displays 32"-36" and 47"-50")

Product Specifications

	DIMENSIONS (W x H x D)	PRODUCT WEIGHT	LOAD CAPACITY	FINISH	AVAILABLE COLORS
DST940-BTB	67.50" x 17.22" x 11.18" (621 x 437 x 284mm)	63.8lb (29kg)	300lb (136kg) 75lb per display (34kg)	Powder Coat	Black

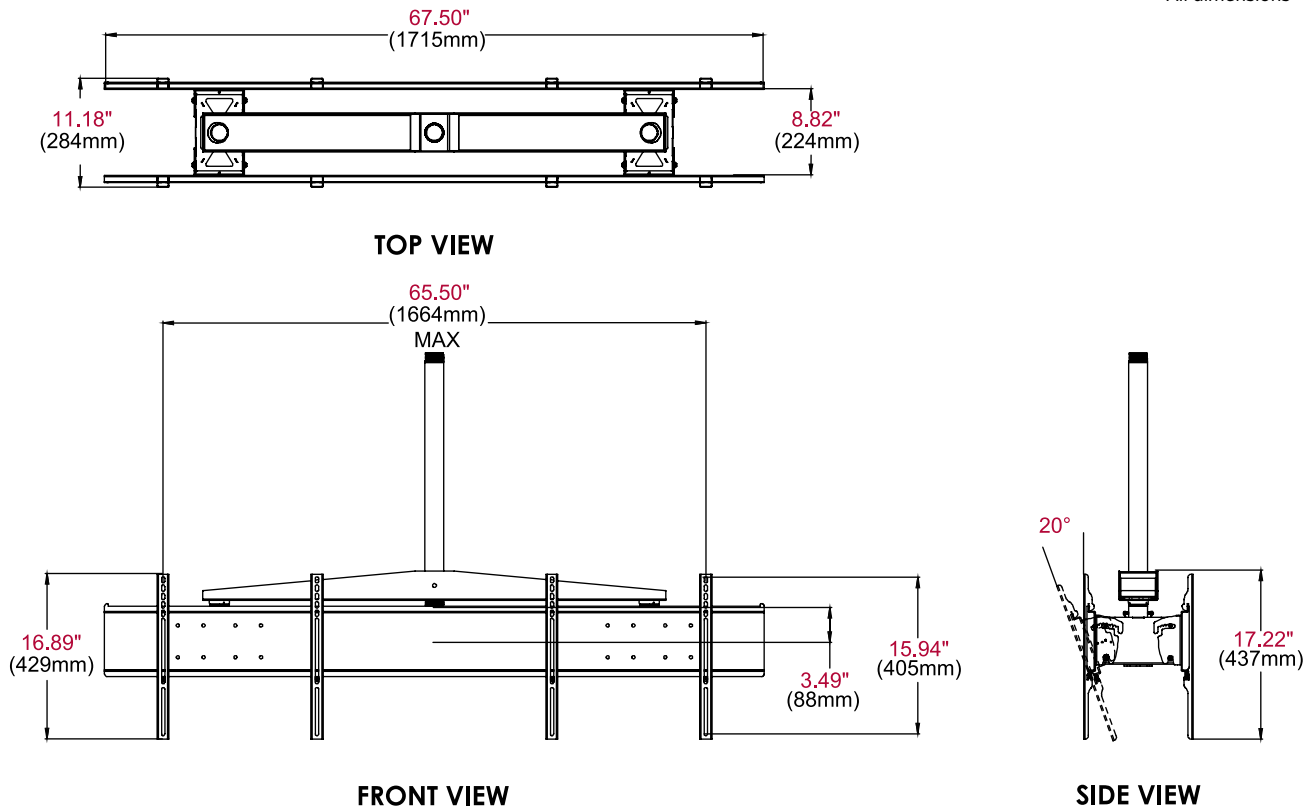
Package Specifications

	PACKAGE SIZE (W x H x D)	PACKAGE SHIP WEIGHT	PACKAGE UPC CODE	PACKAGE CONTENTS	UNITS IN PACKAGE
DST940-BTB	69.00" x 12.50" x 7.00" (1753 x 317.5 x 178mm)	72.5lb (33kg)	735029314318	Two PLB-1 Mounts, Two EXT006 Poles, Two Adaptor Plates, Dual Cross Support, Four Adaptor Bracket Sets, and Assembly Hardware	1

Accessories

EXT, AEC, ALU or ADD Poles: Peerless-AV extension columns
Ceiling Attachment: Peerless-AV ceiling plates

All dimensions = inch (mm)



Architect Specifications

The Back-To-Back Dual Display Ceiling Mount System shall be a Peerless-AV model DST940-BTB and shall be located where indicated on the plans. Assembly and installation shall be done according to instructions provided by the manufacturer.

Visit peerless-av.com to see the complete line of AV solutions from Peerless-AV, including outdoor displays, wireless, kiosks, digital audio, display mounts, projector mounts, carts/stands, and a full assortment of accessories.

Peerless-AV
 2300 White Oak Circle
 Aurora, IL 60502 USA
(800) 865-2112
(630) 375-5100
Fax: (800) 359-6500

Peerless-AV Europe
 Unit 3 Watford Interchange
 Colonial Way, Watford
 Herts, WD24 4WP
 United Kingdom
+44 (0) 1923 200100
Fax: +44 (0) 1923 200101

Peerless-AV de México
 Ave de las Industrias 413
 Parque Industrial Escobedo
 Escobedo, N.L.,
 Mexico 66050
+52 (81) 8384-8300
Fax: +52 (81) 8384-8360



HA746-STB



Display size
43"- 55"



Max load
80lb (36kg)

Hospitality Wall Arm Mount with STB Enclosure

FOR 43" TO 55" TVS

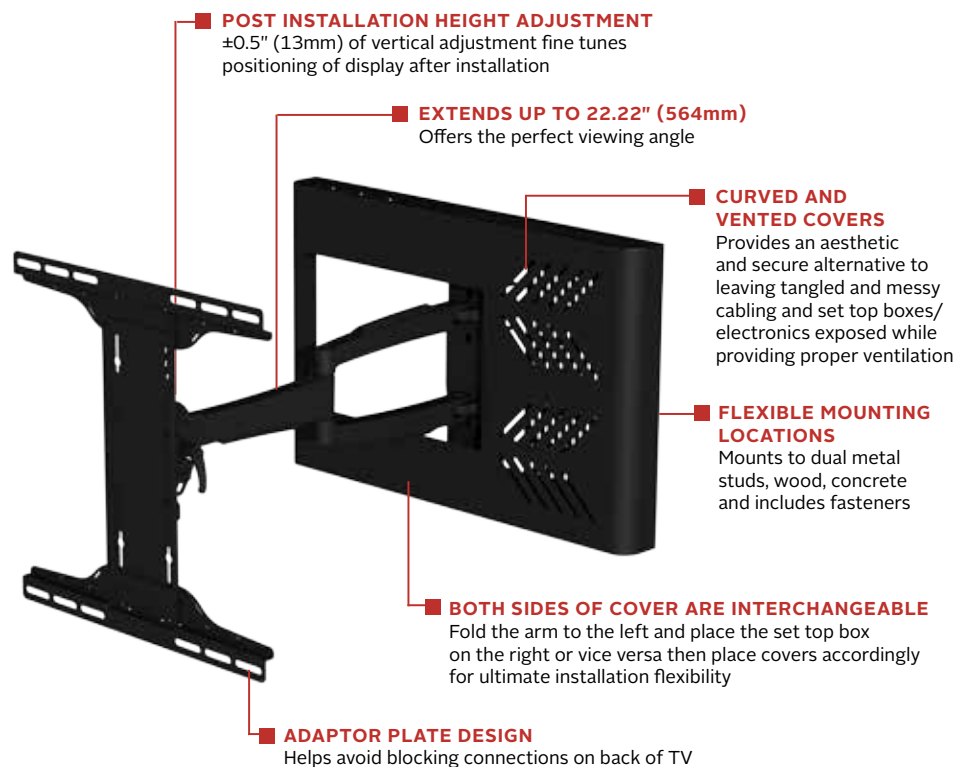
The Hospitality Wall Arm Mount with Set Top Box (STB) Enclosure was designed with the Hospitality market in mind, offering versatility, an aesthetically pleasing, slim design, and security features. This articulating wall mount is compact enough to fit within a 24" x 16" wall opening, and is compatible with LG and Samsung 43"-55" Hospitality TV's. The STB cover is vented, secure, and provides a clean finish, hiding electrical equipment and cabling from hotel guests. The cover can be interchanged to either side of the mount and can be easily removed, allowing for quick access to the STB, while the mount's open wall plate design allows for easy access to the wall or junction box.

The HA746-STB wall mount conceals the STB or cable box and provides a clean solution for cable management.

Additional Features

- ✓ Easily installs on dual metal studs, wood or concrete (all fasteners included)
- ✓ Unique cable management system
- ✓ Covers can easily be removed for servicibility to STB/cable box without the need to remove arm or TV
- ✓ Compatible to LG and Samsung 43"-55" Hospitality TVs, up to 400 x 400mm pattern*
- ✓ Fits various LG STBs, Enseio and Bulk TV boxes*
- ✓ Compact enough to fit within a 24"W x 16"H wall opening (wall enclosure measures 23"W x 14.84" x 2.25")
- ✓ Open wall plate design for access to wall or junction box with 5" of lateral adjustment
- ✓ Front fastening covers for recessed areas
- ✓ $\pm 90^\circ$ of pivot left or right, up to 5° downward tilt for maximum guest viewing experience
- ✓ Installs on wall, recessed in wall or on tech drop

* Contact Peerless-AV Customer Care to check compatibility



Shown with vented STB cover removed. STB can be placed on either side of the mount.



Integrated cable management keeps cords and cables out of the way.



Slotted STB attachment plate allows a wide range of set top box models to zip tie into place.



Please visit peerless-av.com/en-us/patents for patent information.

info@peerless-av.com
peerless-av.com

peerless-AV®

HA746-STB	Hospitality Wall Arm Mount with STB Enclosure for 43" to 55" TVs
------------------	--

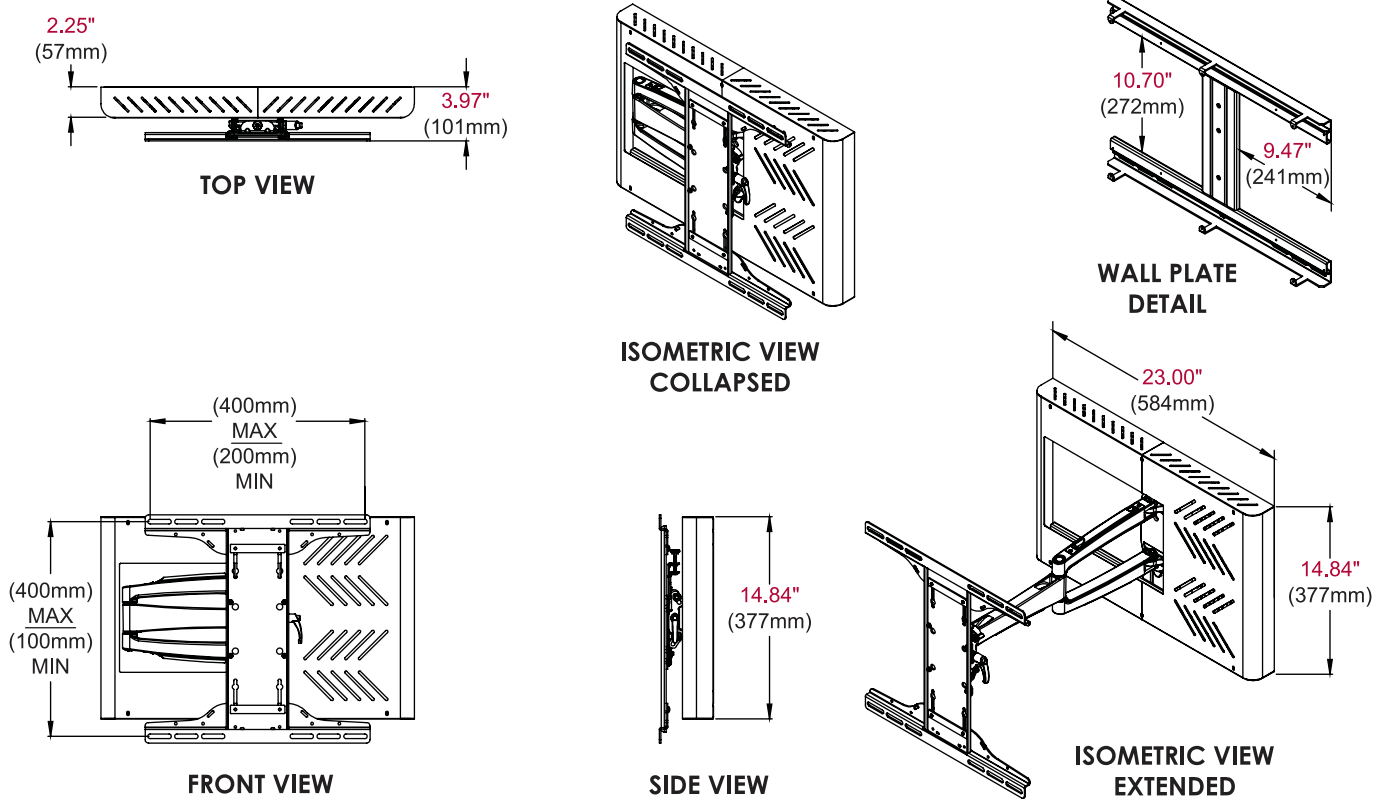
Product Specifications

	DIMENSIONS (W x H x D)	PRODUCT WEIGHT	LOAD CAPACITY	FINISH	AVAILABLE COLORS
HA746-STB	23.00" x 16.75" x 3.97" (584 x 425 x 101mm)	21lb (9.5kg)	80lb (36kg)	Scratch Resistant Fused Epoxy	Semi-Gloss Black

Package Specifications

	PACKAGE SIZE (W x H x D)	PACKAGE SHIP WEIGHT	PACKAGE UPC CODE	PACKAGE CONTENTS	UNITS IN PACKAGE
HA746-STB	TBD	TBD	735029314226	Wall Mount, Wall Plate, Covers, Display Installation Hardware, Concrete, Wood and Metal Stud Attachment Hardware, Installation Instructions	1

All dimensions = inch (mm)



Architect Specifications

The Hospitality Wall Arm Mount with STB Enclosure shall be a Peerless-AV model HA746-STB and shall be located where indicated on the plans. Assembly and installation shall be done according to instructions provided by the manufacturer.

Visit peerless-av.com to see the complete line of AV solutions from Peerless-AV, including outdoor displays, wireless, kiosks, digital audio, display mounts, projector mounts, carts/stands, and a full assortment of accessories.

Peerless-AV
2300 White Oak Circle
Aurora, IL 60502 USA
(800) 865-2112
(630) 375-5100
Fax: (800) 359-6500

Peerless-AV Europe
Unit 3 Watford Interchange
Colonial Way, Watford
Herts, WD24 4WP
United Kingdom
+44 (0) 1923 200100
Fax: +44 (0) 1923 200101

Peerless-AV de México
Ave de las Industrias 413
Parque Industrial Escobedo
Escobedo, N.L.,
Mexico 66050
+52 (81) 8384-8300
Fax: +52 (81) 8384-8360



RMI2C



Max load
175lb (79kg)

Rotational Mount Interface for Carts and Stands

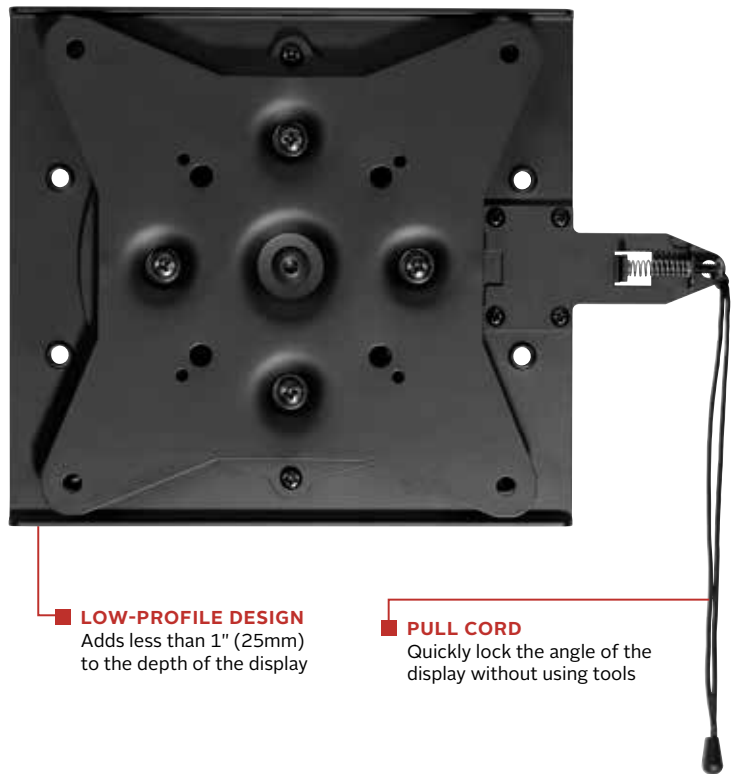
FOR ROTATING DISPLAYS FROM LANDSCAPE TO PORTRAIT

The RMI2C allows you to rotate a display from landscape to portrait orientation with a simple pull of the spring-loaded lever, eliminating the hassle of having to remove the screen from the mount. This mount interface allows the display on a cart or stand to be stored in portrait, which saves space and protects the display from accidental damage. In addition, the RMI2C enables a display to be easily rotated and set at 15-degree increments within 360-degrees, and is compatible with a variety of Peerless-AV® Carts and Stands. Ideal for standard or creative digital signage displays, the RMI2W allows for endless screen positioning.

Easily rotate a display from landscape to portrait to save storage space and protect your display from accidental damage.

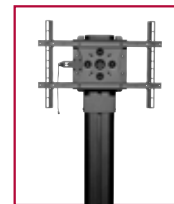
Additional Features

- ✓ Rotate landscape to portrait orientation without removing the screen
- ✓ Roll angle can be locked in 15° increments, creating endless screen positioning possibilities
- ✓ Screen can be rolled 360° with impediment, no tools required
- ✓ Tamper-resistant, spring-loaded lever with pull cord makes adjusting the screen's position simple
- ✓ Low-profile design adds less than 1" to any application
- ✓ Compatible with the following Peerless-AV® Carts & Stands: SR560, SR575, SR575M, SR575K, SS560, SS575K, FPZ-600 and FPZ-670

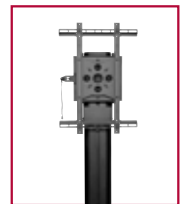


LOW-PROFILE DESIGN
Adds less than 1" (25mm) to the depth of the display

PULL CORD
Quickly lock the angle of the display without using tools



Landscape



Portrait

RoHS

RMI2C	Rotational Mount Interface for Carts and Stands
--------------	---

Product Specifications

	DIMENSIONS (W x H x D)	PRODUCT WEIGHT	LOAD CAPACITY	FINISH	AVAILABLE COLORS
RMI2C	14.16" x 9.50" x .97" (360 x 241 x 25mm)	6.7lb (3.04kg)	175lb (79kg)	Powder Coat	Black

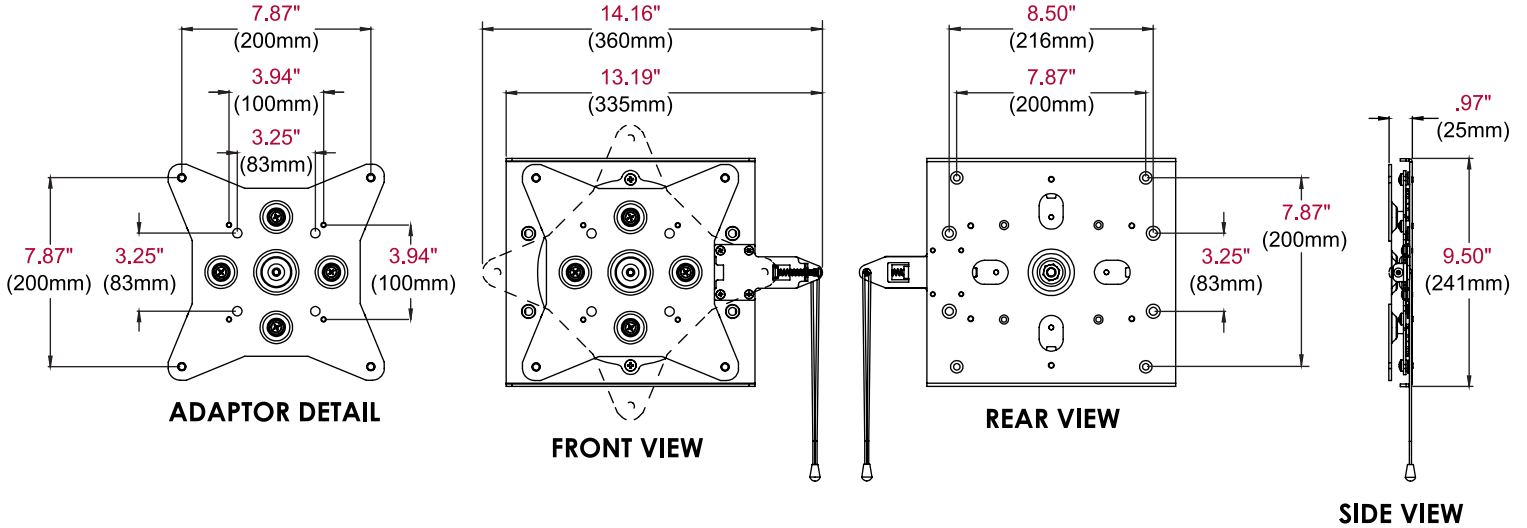
Package Specifications

	PACKAGE SIZE (W x H x D)	PACKAGE SHIP WEIGHT	PACKAGE UPC CODE	PACKAGE CONTENTS	UNITS IN PACKAGE
RMI2C	20.00" x 10.00" x 1.75" (508 x 254 x 44mm)	7.15lb (3.24kg)	735029315445	1 Rotational Mount	1

Compatible with the following Peerless-AV® Carts and Stands:

- SR560
- SR575
- SR575M
- SR575K
- SS560
- SS575K
- FPZ-600
- FPZ-670

All dimensions = inch (mm)



Architect Specifications

The Rotational Mount Interface for Carts and Stands shall be a Peerless-AV® model RMI2C and shall be located where indicated on the plans. Assembly and installation shall be done according to instructions provided by the manufacturer.

Visit peerless-av.com to see the complete line of AV solutions from Peerless-AV, including outdoor displays, wireless, kiosks, digital audio, display mounts, projector mounts, carts/stands, and a full assortment of accessories.

Peerless-AV
2300 White Oak Circle
Aurora, IL 60502 USA
(800) 865-2112
(630) 375-5100
Fax: (800) 359-6500

Peerless-AV Europe
Unit 3 Watford Interchange
Colonial Way, Watford
Herts, WD24 4WP
United Kingdom
+44 (0) 1923 200100
Fax: +44 (0) 1923 200101

Peerless-AV de México
Ave de las Industrias 413
Parque Industrial Escobedo
Escobedo, N.L.,
Mexico 66050
+52 (81) 8384-8300
Fax: +52 (81) 8384-8360



RMI2W



Max load
175lb (79kg)

Rotational Mount Interface for Wall Mounts

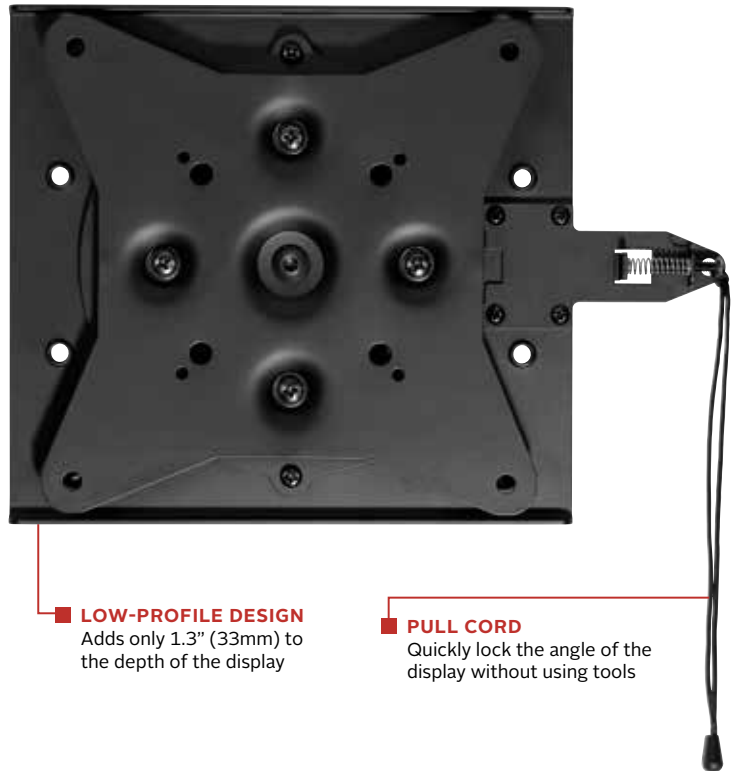
FOR ROTATING DISPLAYS FROM LANDSCAPE TO PORTRAIT

The RMI2W allows you to rotate a display from landscape to portrait orientation with a simple pull of the spring-loaded lever, eliminating the hassle of having to remove the screen from the mount. This mount interface enables a display to be easily rotated and set at 15-degree increments within 360-degrees, and is compatible with a variety of Peerless-AV® Wall Mounts. Ideal for standard or creative digital signage displays, the RMI2W allows for endless screen positioning.

Easily rotate a display from landscape to portrait without removing the display.

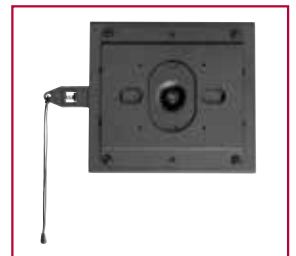
Additional Features

- ✓ Rotate landscape to portrait orientation without removing the screen
- ✓ Roll angle can be locked in 15° increments, creating endless screen positioning possibilities
- ✓ Screen can be rolled 360° with impediment, no tools required
- ✓ Tamper-resistant, spring-loaded lever with pull cord makes adjusting the screen's position simple
- ✓ Low-profile design adds only 1.3" to any application
- ✓ Compatible with the following Peerless-AV® Mounts: SA740P, SA746PU, SA752PU, SA761PU, SA771PU, SAX755PU, SAX762PU, SAX772PU, PLCM-1, PLCM-2, PLCM-4, PLCK-1, MOD-FPMS, MOD-FPMD2, PLCM-1CP, PLCM-UNL, PLCM-2-UNL, PLCK-UNL, PLCM-UNL-CP and PLP-V%



LOW-PROFILE DESIGN
Adds only 1.3" (33mm) to the depth of the display

PULL CORD
Quickly lock the angle of the display without using tools



Rear View

RoHS

info@peerless-av.com
peerless-av.com

peerless-AV®

RMI2W Rotational Mount Interface for Wall Mounts

Product Specifications

	DIMENSIONS (W x H x D)	PRODUCT WEIGHT	LOAD CAPACITY	FINISH	AVAILABLE COLORS
RMI2W	14.16" x 9.50" x 1.31" (360 x 241 x 33mm)	8.53lb (3.87kg)	175lb (79kg)	Powder Coat	Black

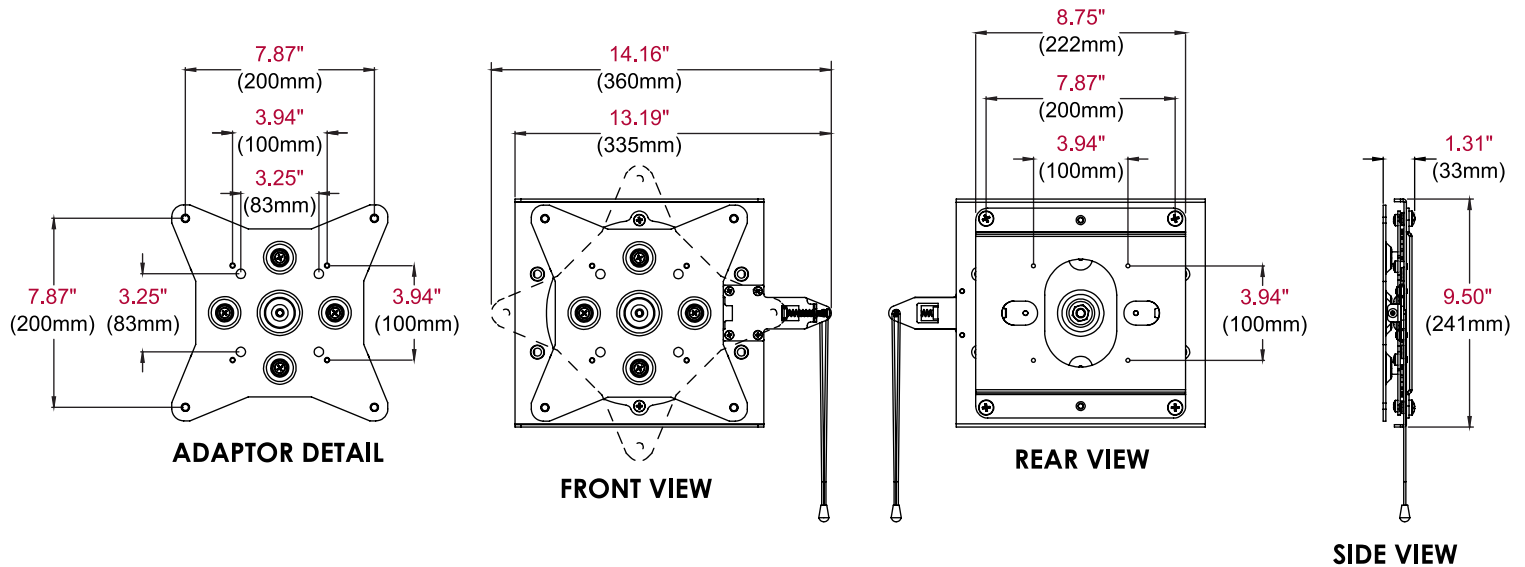
Package Specifications

	PACKAGE SIZE (W x H x D)	PACKAGE SHIP WEIGHT	PACKAGE UPC CODE	PACKAGE CONTENTS	UNITS IN PACKAGE
RMI2W	20.00" x 10.00" x 1.75" (508 x 254 x 44mm)	9.1lb (4.13kg)	735029315452	1 Rotational Mount 1 Wall Mount Interface Plate	1

Compatible with the following Peerless-AV® Mounts:

- | | |
|----------|-------------|
| SA740P | PLCM-4 |
| SA746PU | PLCK-1 |
| SA752PU | MOD-FPMS |
| SA761PU | MOD-FPMD2 |
| SA771PU | PLCM-1CP |
| SAX755PU | PLCM-UNL |
| SAX762PU | PLCM-2-UNL |
| SAX772PU | PLCK-UNL |
| PLCM-1 | PLCM-UNL-CP |
| PLCM-2 | PLP-V% |

All dimensions = inch (mm)



Architect Specifications

The Rotational Mount Interface for Wall Mounts shall be a Peerless-AV® model RMI2W and shall be located where indicated on the plans. Assembly and installation shall be done according to instructions provided by the manufacturer.

Visit peerless-av.com to see the complete line of AV solutions from Peerless-AV, including outdoor displays, wireless, kiosks, digital audio, display mounts, projector mounts, carts/stands, and a full assortment of accessories.

Peerless-AV
2300 White Oak Circle
Aurora, IL 60502 USA

(800) 865-2112
(630) 375-5100
Fax: (800) 359-6500

Peerless-AV Europe
Unit 3 Watford Interchange
Colonial Way, Watford
Herts, WD24 4WP
United Kingdom
+44 (0) 1923 200100
Fax: +44 (0) 1923 200101

Peerless-AV de México
Ave de las Industrias 413
Parque Industrial Escobedo
Escobedo, N.L.,
Mexico 66050
+52 (81) 8384-8300
Fax: +52 (81) 8384-8360

