



60 PIK RITE LANE, LEWISBURG PA 17837

PHONE: 570-523-8174 FAX: 570-523-8175

EMAIL: frontdsk@pikrite.com WEBSITE: www.pikrite.com

Dear Grower,

Welcome to the growing family of satisfied Pik Rite equipment owners. Our goal is to help make your harvest as enjoyable and trouble free as possible by providing equipment that is durable and keeps down time to a minimum.

In order to provide customer service and a supply of original equipment parts to keep your machine well maintained, we are continually striving to keep our systems state-of-the-art to utilize all available resources that allow us to provide better and more accurate deliveries on time.

We will continue to give you the service you have come to expect from our dealer representatives and us. In order to avoid any delays during your harvest season we make every effort to have someone available to take your calls 24 hours a day. We have shipping companies in place to deliver your parts as expediently as possible whether you live a few miles down the road or on the other side of the globe. Count on us.

Sincerely,

Andy Kling
Vice President
andy@pikrite.com

Clint Morris
Parts Sales
parts@pikrite.com

Mobile 570-412-0066

Parts and Service Hotline
800-326-9763

www.pikrite.com

TABLE OF CONTENTS

3006-1-1 Frame Assembly	8
3006-1-2 Tongue Assembly	10
3006-1-3 Hydraulic Pump Assembly	12
3006-1-4 1-3/8 - 21 PTO Assembly	14
3006-1-5 1-3/4" - 20 PTO Assembly	16
3006-1-9 Information Center Assembly	18
3006-1-11 Optional G-Neck Frame Assembly	20
3006-1-12 Optional G-Neck Tongue Assembly.....	22
3006-1-13 Optional G-Neck Hitch & Pump Assembly	24
3006-1-14 Optional G-Neck 1-3/8" PTO Assembly	26
3006-1-15 Optional G-Neck 1-3/4" PTO Assembly	29
3006-1-20 Standard Axle for Tandems Assembly.....	31
3006-1-21 Tandem Wheel & Rocker Assembly	33
3006-1-22 Optional Single Wheel Axle Assembly	35
3006-1-23 Optional Single Wheel Tires & Spindles Assembly.....	37
3006-2-1 Disk Header Frame Assembly	39
3006-2-2 Disk Header Drive Assembly	41
3006-2-3 Disk Shaft Assembly	43
3006-2-4 Gathering Chain Assembly	45
3006-2-5 Disk Header Gauge Wheel Assembly.....	48
3006-2-6 Coulter Assembly.....	50
3006-2-11 Blade Header Frame Assembly	53
3006-2-12 Blade Header, Blade Assembly	55
3006-2-13 Blade Header, In-Feed Chain Assembly.....	57

3006-2-14 Blade Header, Hydraulic Assembly	62
3006-3-2 Primary Header Conveyor	64
3006-3-3 Primary Header Drive Assembly	67
3006-3-7 Optional Hydraulic Adjustable Dirt Gap Assembly	70
KIT-0014 3000 Hyd. Adj. Dirt Gap	70
3006-3-8 Secondary Header Assembly	74
3006-3-9 Secondary Header Drive Assembly	76
3006-3-10 Header Vibrator Shaft Assembly.....	80
3006-3-11 Optional Second Header Dirt Vibrator Assembly	82
3006-3-12 Optional Header Chain Bar Cleaner Assembly.....	84
3006-3-15 Auto Header Height Control, Pickle	86
3006-4-1 Shaker Shield & Cover Assembly	88
3006-4-3 Shaker Drum Assembly	90
3006-4-4 Shaker Box & Weight Assembly	92
3006-4-5 Shaker Ring & Finger Assembly	94
3006-6-1 Shaker Chamber Assembly	96
3006-6-4 Transfer Chain Drive and Roller Assembly.....	98
3006-6-5 Optional Transfer Chain Dirt Vibrator Assembly	101
3006-6-7 Sizing 72mm Chain Drive & Roller Assembly	105
3006-6-10 Vine Chain Drive Shaft Assembly	107
3006-6-12 Debris Drum Assembly	109
3006-6-13 Debris Fan Assembly.....	111
3006-7-1 Cross Conveyor Assembly	115
3006-7-2 Cross Conveyor Drive Shaft Assembly.....	117
3006-7-3 Optional Cross Conveyor 36mm Drive Shaft Assembly.....	119

3006-7-5 Hedge Hog Debris Removal System	121
3006-7-6 Decking Above Hedge Hog Assembly	125
3006-8-1 Elevation Stand Assembly	127
3006-8-2 Lower Elevation Assembly.....	129
3006-8-3 Lower Middle Elevation Assembly	131
3006-8-4 Upper Middle Elevation Assembly	133
3006-8-5 Outer Elevation Boom Assembly	135
3006-8-6 Elevation Drive Assembly.....	137
3006-8-7 Optional Elevation 36mm Drive Assembly.....	139
3006-9-1 Bin Assembly	141
3006-9-2 Inner Bin Discharge Assembly.....	143
3006-9-3 Middle Bin Discharge Assembly	145
3006-9-4 Outer Bin Discharge Assembly.....	147
3006-9-5 Bin Discharge Drive Shaft Assembly	149
3006-9-6 Truck Transport Bars	154
3006-10-1 Hydraulics From Relief Valves.....	156
3006-10-2 Drawbar Hitch Hydraulics to Relief Valves	160
3006-10-3 G-Neck Hitch Hydraulics To Relief Valves.....	162
3006-10-7 Flow Control Parts Assembly.....	164
3006-10-8 Oil Tank Assembly.....	166
3006-10-9 Oil Cooler Assembly	168
3006-10-11 Cylinder Hydraulics From Control Valve	170
3006-10-12 Drawbar Hitch Cylinder Hydraulics to Control Valve.....	172
3006-10-13 G-Neck Hitch Cylinder Hydraulics to Control Valve	174
3006-10-15 Hydraulic Cylinder Control Valve	176

HVE-3006 Control Valve, 7 Work Sections, 3000 Cuc..... 176

3006-10-16 Elect./Hyd. Valve Assembly, Cucumber 178

3006-10-17 Elect/Hyd Unloading Inlet Valve Section..... 180

3006-10-18 Elect./Hyd. Valve Section, with Locks, Cucumber 182

3006-11-1 Electrical for Breaker Box 184

3006-11-3 Electrical for Control Box 186

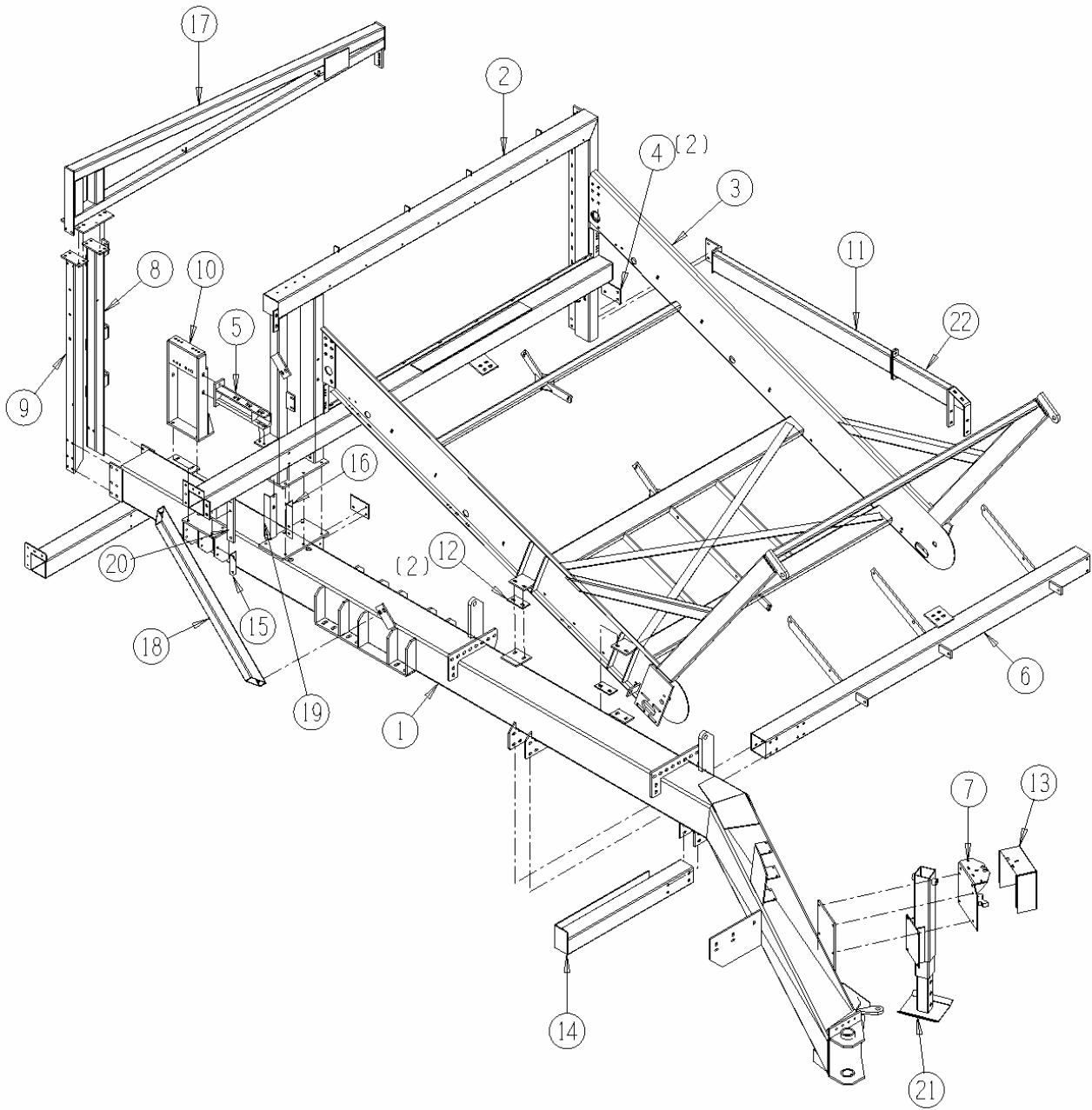
3006-11-4 Shaft Monitor Assembly 188

PARTS CATALOG

3006-1-1 Frame Assembly

<u>Ref</u>	<u>Part No.</u>	<u>Description</u>	<u>Parts – Assembly</u>	<u>Will Fit SN</u>	<u>Remarks</u>
1	FRM-3100	Frame (Pickle)	1	30095001-	
2	FRM-3308	Frame, Shaker, Cuc.	1	30098001-	
3	FRM-3610	Frame, Secondary Header, 120mm Center Belt, Cuc	1		
4	BAR-3302	Bar, Vine Chain Roller Support, Float Tire Kit, Cuc	2		
5	BRA-3302	Bracket, Mount Support, Shaker (Pickle)	1	30096001-	
6	MOU-3102	Mount, Shaker & Axle & Frame (Pickle)	1	30096001-	Replaces MOU-3100
7	MOU-3112	Mount, Hydraulic Valve, Control Valve, Cuc & Tom	1		
8	MOU-3150	Mount, Post, Inner Shaker Side (Pickle)	1	30095001-	
9	MOU-3152	Mount, Post, Flow Control Panel (Pickle)	1	30095001-	
10	MOU-3302	Mount, Shaker Support (Pickle)	1	30096001-	Replaces MOU-3300
11	MOU-3611	Mount, Rear Support Hdr. To Shk. Frame, 3000	1		
12	SPA-3605	Spacer, Secondary Header Frame	1	30096001-	
13	SHD-B5	Shield, Electrohydraulic "Brand", 5-Stack	1	30096001-	
14	SUP-3000	Support, Oil Tank Frame (Pickle)	1	30095001-	
15	SUP-3137	Support, Hold-Down Roller, Elevation Chain (Pickle)	1	30096001-	
16	SUP-3109	Support, Hold Away Roller, Single Tire, 3000	1		
17	SUP-3155	Support, Outer Sha. Panel, Frame Posts, Cucumber	1	30095001-	
18	SUP-3300	Support, Main Frame & Shaker Frame (Pickle)	1	30095001-	
19	SUP-3813	Support, Elev. Chain Hold Up Rollers, Cuc.	1	30098001-	
20	SUP-3814	Support, Elev Chain Hold Up Roller, Cuc	1	30098001-	
21	WH-1126	Machine Jack for Pickle Harvester	1	30095001-	
22	MOU-3612	Mount, Support Front Hdr to Shk Frame, 3000	1		

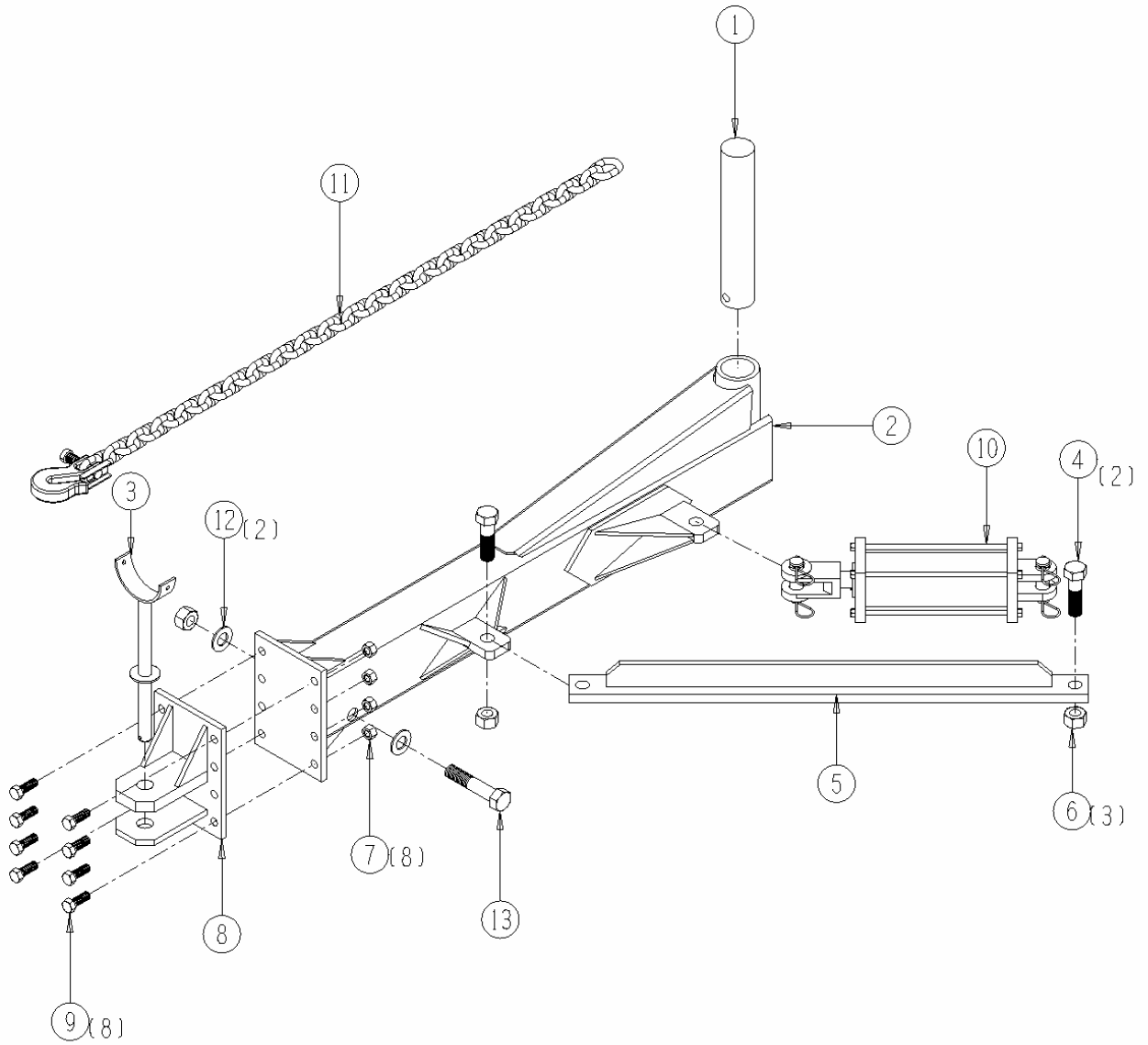
3006-1-1



3006-1-2 Tongue Assembly

<u>Ref</u>	<u>Part No.</u>	<u>Description</u>	<u>Parts – Assembly</u>	<u>Will Fit SN</u>	<u>Remarks</u>
1	PIN-3200	Pin, Tongue & Frame (Pickle)	1	30095001-	
2	WHL-3202	Tongue (Pickle)	1	30095001-	
3	STD-1002	Stand, PTO, Black	1		
4	BL-16-350H	1" x 3 1/2" Gr 5 HH Bolt Zinc Coated	2		
5	BAR-3100	Bar, Tongue to Frame (Transportation) (Pickle)	1	30095001-	
6	BL-16-LN	1" Lock Nuts w/ Nylon Inserts	3		
7	BL-10-LN	5/8-11 HEX LN NE ZC	8		
8	WHL-3101	Wheel, Draw Bar Hitch, Tongue (Pickle)	1	30095001-	
9	BL-10-175-H	5/8-11 X 1 3/4 HEX CAP G5 ZC	8		
10	HC-350-0808	Hydraulic Cylinder 3 1/2" x 8" #8 SAE Ports	1	20095001-	
11	FRM-3167	Safety Chain, Agricultural, 30,400 lb. Capacity	1	19701- 30097001-	
12	BL-16-SW	1" SAE Washer	2		
13	BL-16-500-H	1 UNC x 5 HH C/S GR5 ZINC	1		

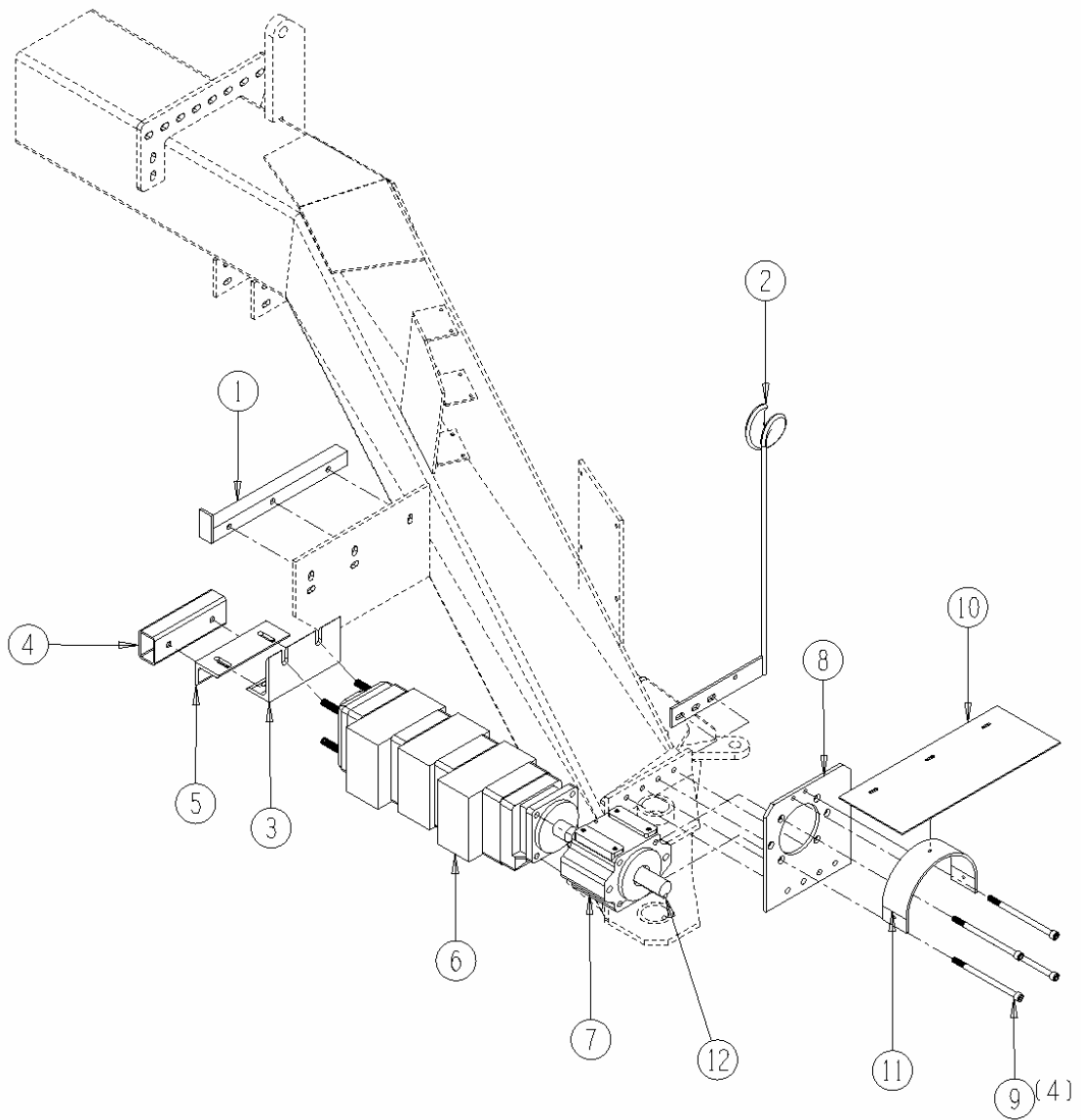
3006-1-2



3006-1-3 Hydraulic Pump Assembly

<u>Ref</u>	<u>Part No.</u>	<u>Description</u>	<u>Parts – Assembly</u>	<u>Will Fit SN</u>	<u>Remarks</u>
1	MOU-3115	Mount, Oil Tank Support, Frame (Pickle)	1	30095001-	
2	SUP-3200	Hose Support	1	19100- 30095001-	
3	MOU-3107	Mount, Support Pump (Pickle)	1	30096001-	For use with Pump #HC-365-C1
4	SPA-3110	Spacer, Mount, Hydraulic Pump (Pickle)	1	30096001-	
5	MOU-3110	Mount, Pump Support (Pickle)	1	30095001-	
6	HP-365-C3	Hydraulic Pump, Model 365	1		
7	HP-1003	Overhung Load Adapter	1	11001	
8	MOU-3001	Mount, Hydraulic Pump (Pickle)	1	30095001-	
9	BL-8-800-FS	1/2-13 X 8 FL SOC CAPS	4		
10	BT-3100	Belting, PTO Shield, Compressorless	1	30095001- KIT-800	Used ONLY on machines with no air compressor
11	SHD-3100	Shield, PTO, Compressorless	1	KIT-800 30095001- 40096001-	Used ONLY on machines with no air compressor.
12	KEY-6-6-32	Shaft Key 3/8" x 2 " Square Cut (1018)	1		

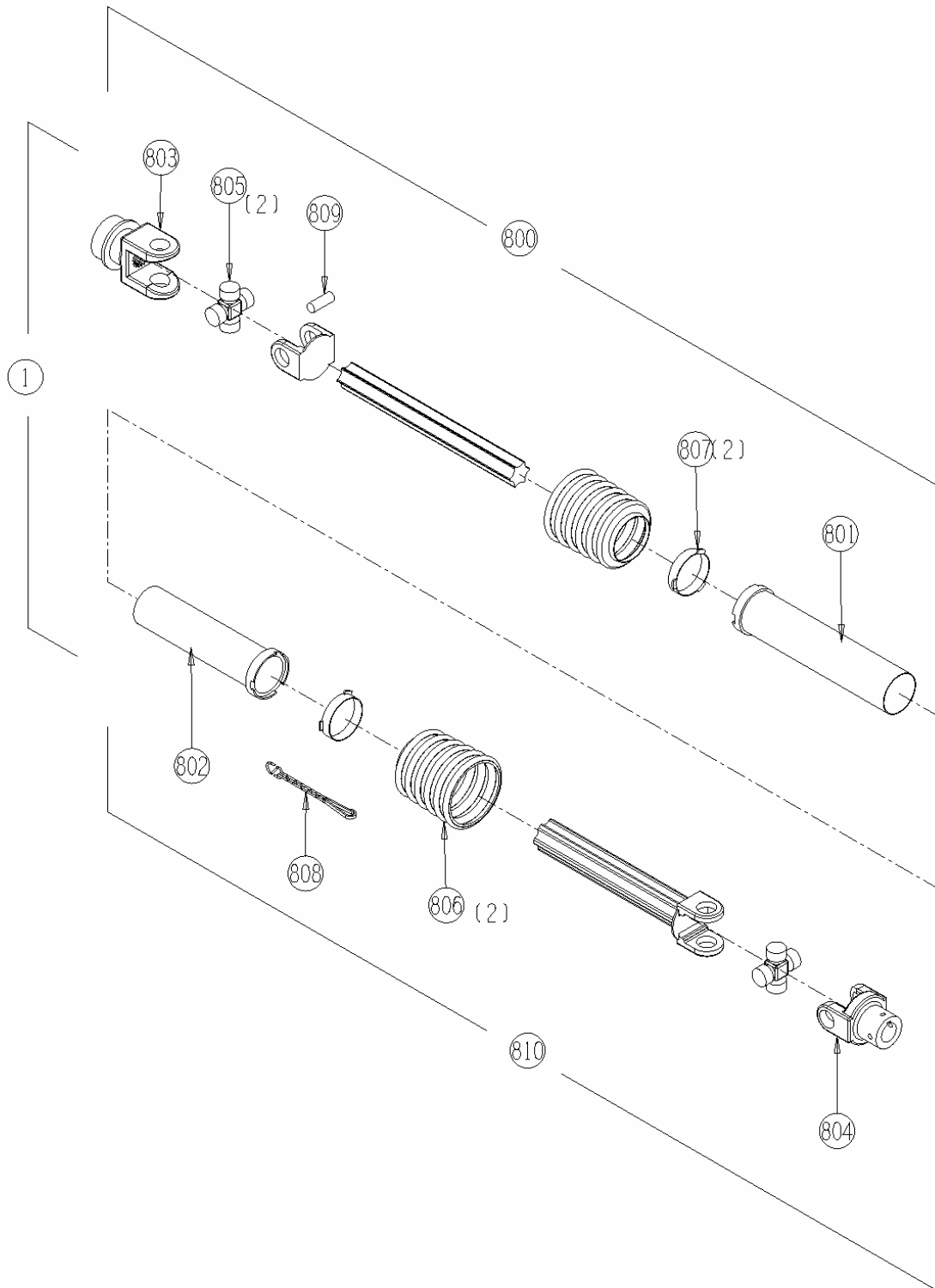
3006-1-3



3006-1-4 1-3/8 - 21 PTO Assembly

<u>Ref</u>	<u>Part No.</u>	<u>Description</u>	<u>Parts – Assembly</u>	<u>Will Fit SN</u>	<u>Remarks</u>
1	PTS-1006	1 3/8"-21 x Overhung, 3000 Cuc Harvester	1		
800	PTS-1002-FH	1-3/8 21-spline, Front Half Only for All PTO (Waltershied) Shafts	1		
801	PTS-1002F	PTO Outer Shield (Waltershied)	1	19101-	
802	PTS-1002G	PTO Inner Shield (Waltershied) Tomato Shaft	1	19101-	For use on PTS-1002 and PTS-1001 model Only
803	PTS-1002C	PTO Yoke (Waltershied) 1 3/8" x 21 spline	1	19101-	John Deere PN AW25386
804	PTS-1003-H	PTO Inner Yoke (Waltershied)	1		
805	PTS-4001B	Extended Lube Cross & Bearing Kit	1	Waltershied Yokes	Replaces PTS-1002B
806	PTS-1002E	PTO Shield Cone (Waltershied)	1	19101-	
807	PTS-1002J	PTO Shield Bearing Ring	1		
808	PTS-1002K	PTO Shield Safety Chain	1		
809	PTS-3001-D	Spring Pin 10x90	2		
810	PTS-1003-RH	Rear Half Only, Overhung LA, Cucumber Harvester	1		

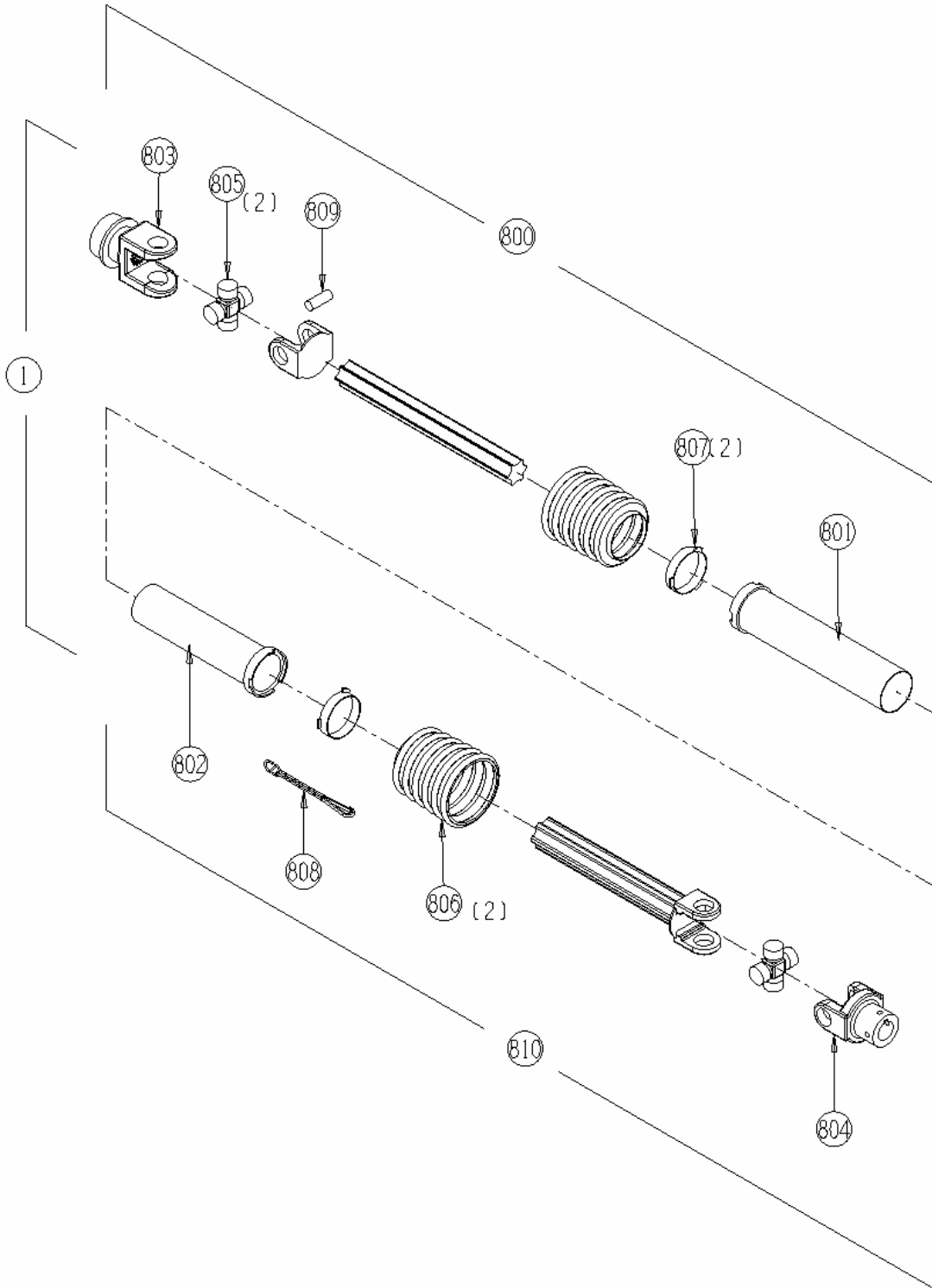
3006-1-4



3006-1-5 1-3/4" - 20 PTO Assembly

<u>Ref</u>	<u>Part No.</u>	<u>Description</u>	<u>Parts – Assembly</u>	<u>Will Fit SN</u>	<u>Remarks</u>
1	PTS-1003	1-3/4 20-spline x Overhung LA, 3000 Cuc. Harvester	1		longer RH than tomato
800	PTS-1003-FH	1-3/4 20-spline, Front Half Only, Tom or Cuc (Waltershied)	1		
801	PTS-1002F	PTO Outer Shield (Waltershied)	1	19101-	
802	PTS-1002G	PTO Inner Shield (Waltershied) Tomato Shaft	1	19101-	For use on PTS-1002 and PTS-1001 model Only
803	PTS-1002A	PTO Tractor Yoke (Waltershied) 1-3/4 x 20 Spline	1	19101-	John Deere PN AW25387
804	PTS-1003-H	PTO Inner Yoke (Waltershied)	1		
805	PTS-4001B	Extended Lube Cross & Bearing Kit	1	Waltershied Yokes	Replaces PTS-1002B
806	PTS-1002E	PTO Shield Cone (Waltershied)	1	19101-	
807	PTS-1002J	PTO Shield Bearing Ring	1		
808	PTS-1002K	PTO Shield Safety Chain	1		
809	PTS-3001-D	Spring Pin 10x90	2		
810	PTS-1003-RH	Rear Half Only, Overhung LA, Cucumber Harvester	1		

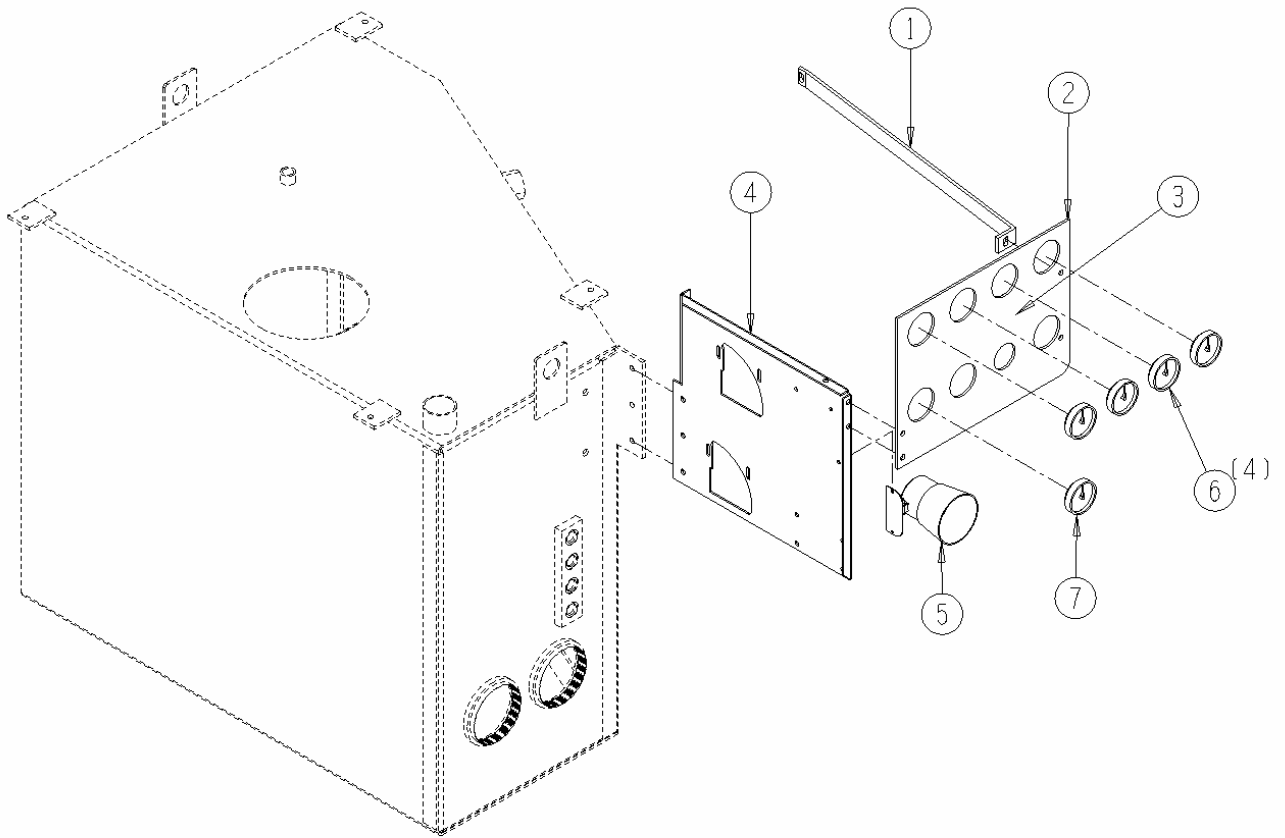
3006-1-5



3006-1-9 Information Center Assembly

<u>Ref</u>	<u>Part No.</u>	<u>Description</u>	<u>Parts – Assembly</u>	<u>Will Fit SN</u>	<u>Remarks</u>
1	BAR-0002	Bar, Information Center	1	30096001-	
2	PAN-0001	Panel, Gauges	1	30096001-	Used with DC-0001
3	DC-0001	Decal, Gauges	1	30096001-	Used with PAN-0001
4	PAN-3008	Panel, Flow Control, Oil Reservoir (Pickle)	1	30096001-	
5	EL-6600	Warning Horn	1		
6	HA-3004	Mounted Hydraulic Pressure Gauge	4		
7	HA-3006	Mountable Filter Gauge	1		

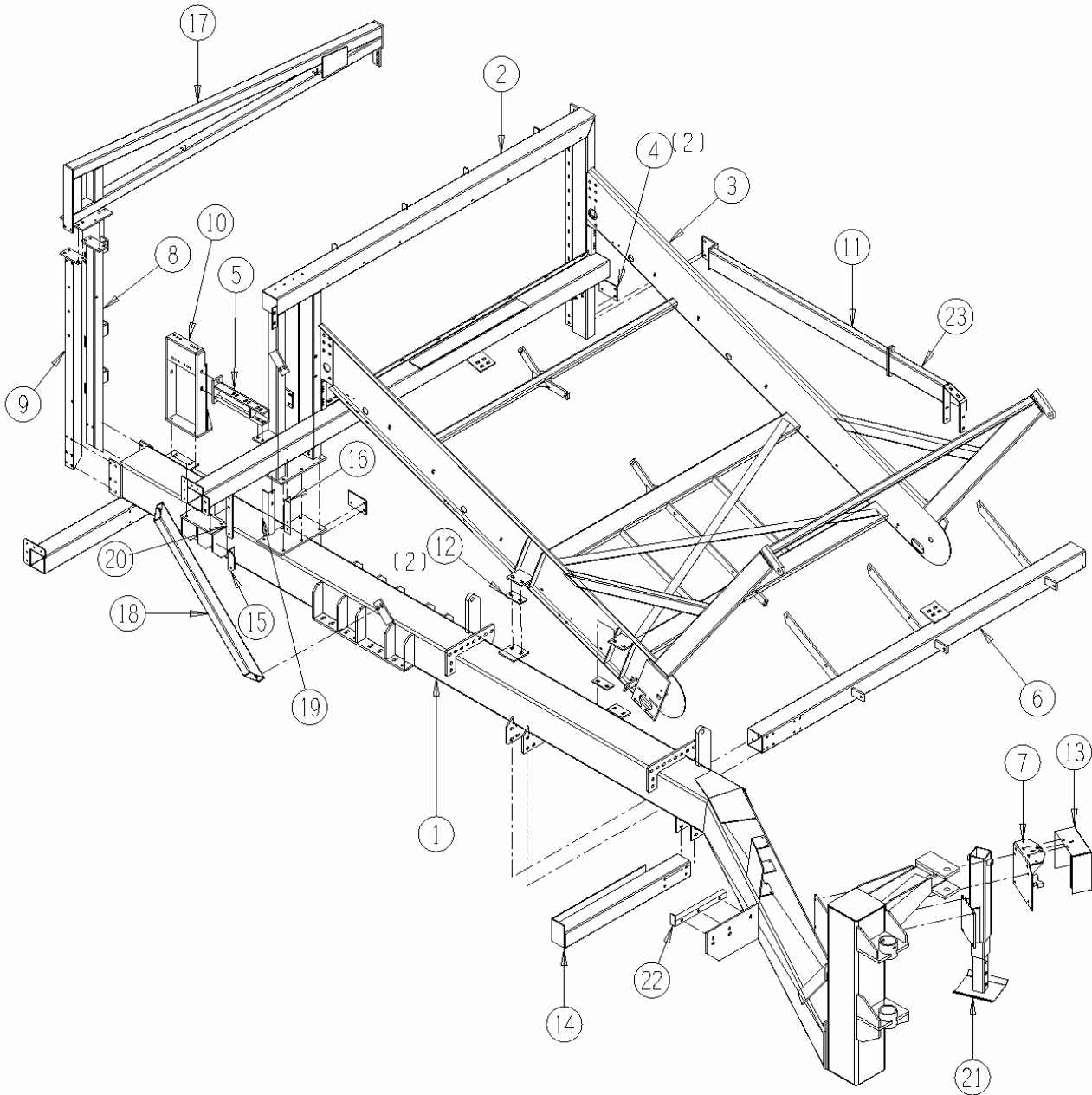
3006-1-9



3006-1-11 Optional G-Neck Frame Assembly

<u>Ref</u>	<u>Part No.</u>	<u>Description</u>	<u>Parts – Assembly</u>	<u>Will Fit SN</u>	<u>Remarks</u>
1	FRM-3106	3000 Cucumber Frame w/G-Neck Hitch	1		
2	FRM-3308	Frame, Shaker, Cuc.	1	30098001-	
3	FRM-3610	Frame, Secondary Header, 120mm Center Belt, Cuc	1		
4	BAR-3302	Bar, Vine Chain Roller Support, Float Tire Kit, Cuc	2		
5	BRA-3302	Bracket, Mount Support, Shaker (Pickle)	1	30096001-	
6	MOU-3102	Mount, Shaker & Axle & Frame (Pickle)	1	30096001-	Replaces MOU-3100
7	MOU-3112	Mount, Hydraulic Valve, Control Valve, Cuc & Tom	1		
8	MOU-3150	Mount, Post, Inner Shaker Side (Pickle)	1	30095001-	
9	MOU-3152	Mount, Post, Flow Control Panel (Pickle)	1	30095001-	
10	MOU-3302	Mount, Shaker Support (Pickle)	1	30096001-	Replaces MOU-3300
11	MOU-3611	Mount, Rear Support Hdr. To Shk. Frame, 3000	1		
12	SPA-3605	Spacer, Secondary Header Frame	2	30096001-	
13	SHD-B5	Shield, Electrohydraulic "Brand", 5-Stack	1	30096001-	
14	SUP-3000	Support, Oil Tank Frame (Pickle)	1	30095001-	
15	SUP-3137	Support, Hold-Down Roller, Elevation Chain (Pickle)	1	30096001-	
16	SUP-3109	Support, Hold Away Roller, Single Tire, 3000	1		
17	SUP-3155	Support, Outer Sha. Panel, Frame Posts, Cucumber	1	30095001-	
18	SUP-3300	Support, Main Frame & Shaker Frame (Pickle)	1	30095001-	
19	SUP-3813	Support, Elev. Chain Hold Up Rollers, Cuc.	1	30098001-	
20	SUP-3814	Support, Elev Chain Hold Up Roller, Cuc	1	30098001-	
21	WH-1126	Machine Jack for Pickle Harvester	1	30095001-	
22	MOU-3115	Mount, Oil Tank Support, Frame (Pickle)	1	30095001-	
23	MOU-3612	Mount, Support Front Hdr to Shk Frame, 3000	1		

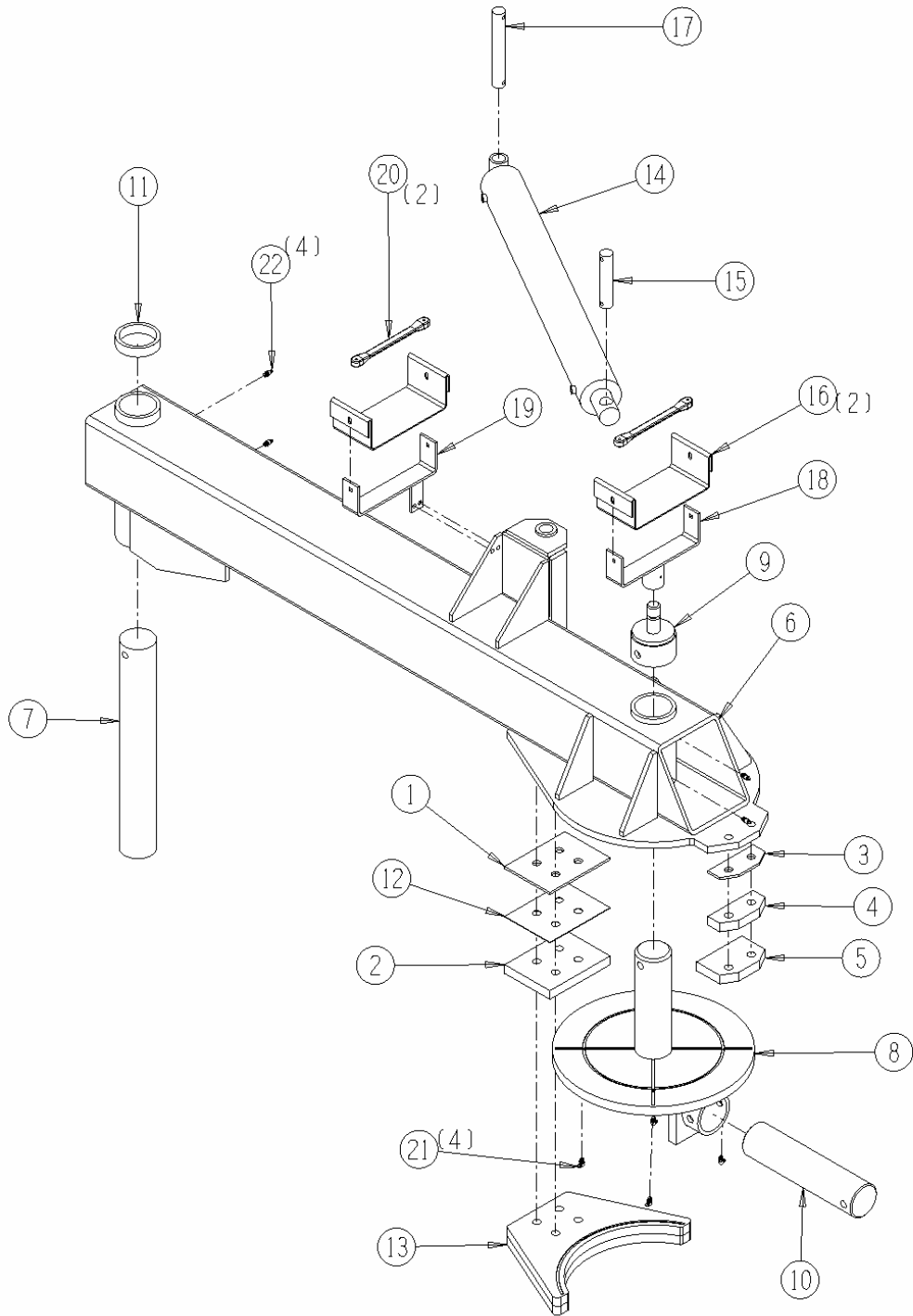
3006-1-11



3006-1-12 Optional G-Neck Tongue Assembly

<u>Ref</u>	<u>Part No.</u>	<u>Description</u>	<u>Parts – Assembly</u>	<u>Will Fit SN</u>	<u>Remarks</u>
1	BAR-8213	Bar, Spacer, Back Top, Hitch/Tongue, HC290	1		
2	BAR-8214	Bar, Spacer, Back, Bottom, Hitch/Tongue, HC290	1	BAR-8214	
3	BAR-8215	Bar, Spacer, Front Top, Hitch/Tongue, HC290	1		
4	BAR-8216	Bar, Spacer, Front Middle, Hitch/Tongue, HC290	1		
5	BAR-8217	Bar, Spacer, Front Bottom, Hitch/Tongue, HC290	1		
6	ARM-3101	Tongue, Main Frame to Hitch	1		
7	PIN-8110	Tongue Swivel, Main Frame, High Cap Tomato	1		
8	PIN-8210	Gooseneck Hitch Pivot/Swivel, Tractor Hitch Frm	1		
9	POS-8110	Post, Pivot Holder, Tongue HC290	1		
10	SFT-8112	Shaft, Gooseneck Hitch Pivot, HC290	1		
11	SPA-8110	Bushing, Tongue Swivel, High Cap Tom	1		
12	SPA-8213	Spacer, Back, Hitch Support	1		
13	SUP-8210	Support, Rear Swivel Plate, Gooseneck Hitch	1		
14	HC-400-30	Hydraulic Cylinder 4" x 30"	1		
15	SFT-8110	Shaft, Cylinder Pin, Tongue HC290	1		
16	BT-8110	Belting, Hose Holder, Gooseneck	2		
17	PIN-8111	Pin, Tongue Main Frame, High Cap. Tomato	1		
18	SUP-8110	Support, Pivoting Hose Holder, Tongue HC290	1		
19	BRA-8110	Bracket, Hose Holder, Tongue HC290	1		
20	STRP-1050	10" Tarp Straps	2		
21	GF-1827-45	Grease Fitting 1/8 NPT 45	4		
22	GF-1827	Grease Fitting 1/8 NPT Straight	4		

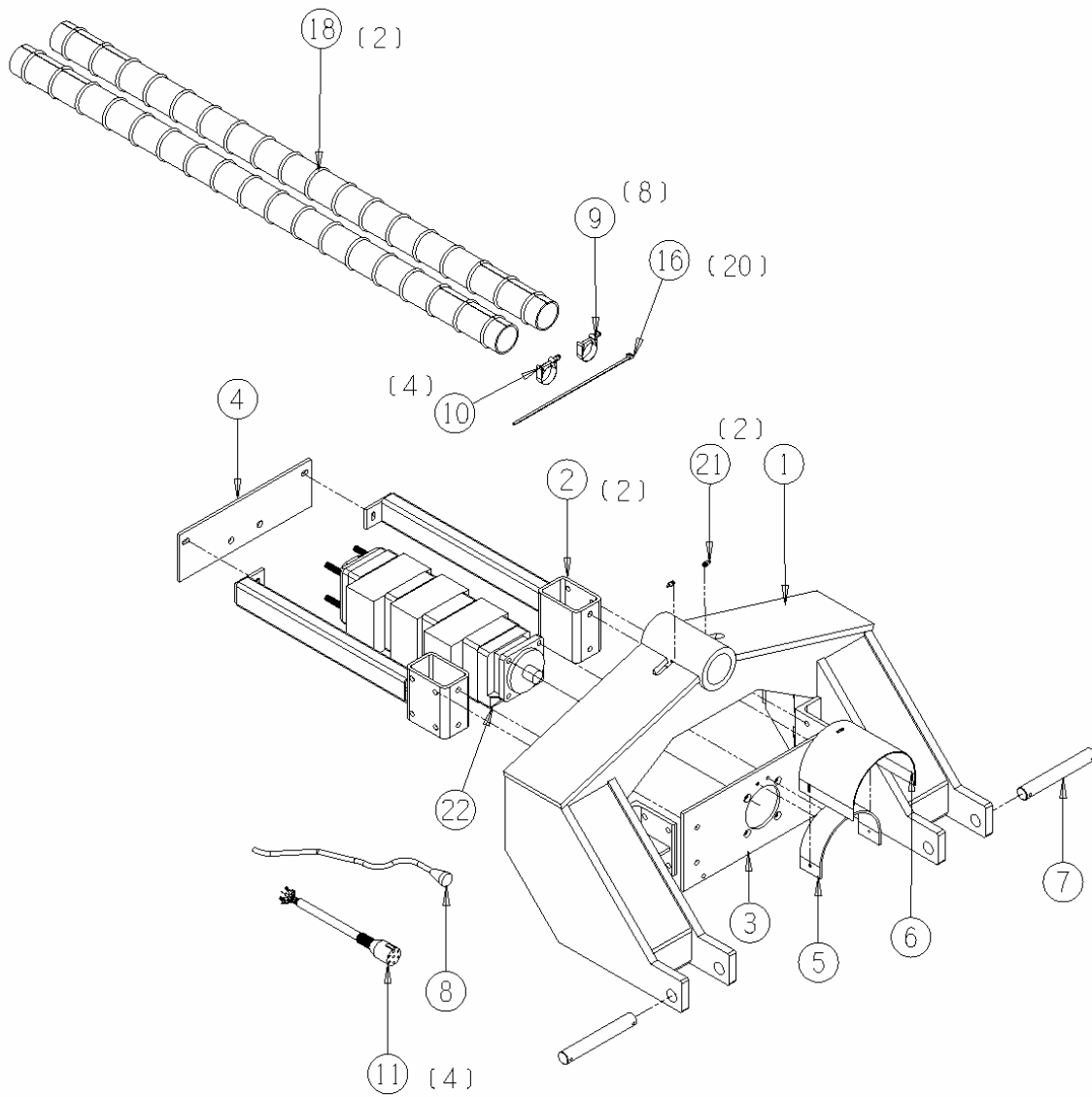
3006-1-12



3006-1-13 Optional G-Neck Hitch & Pump Assembly

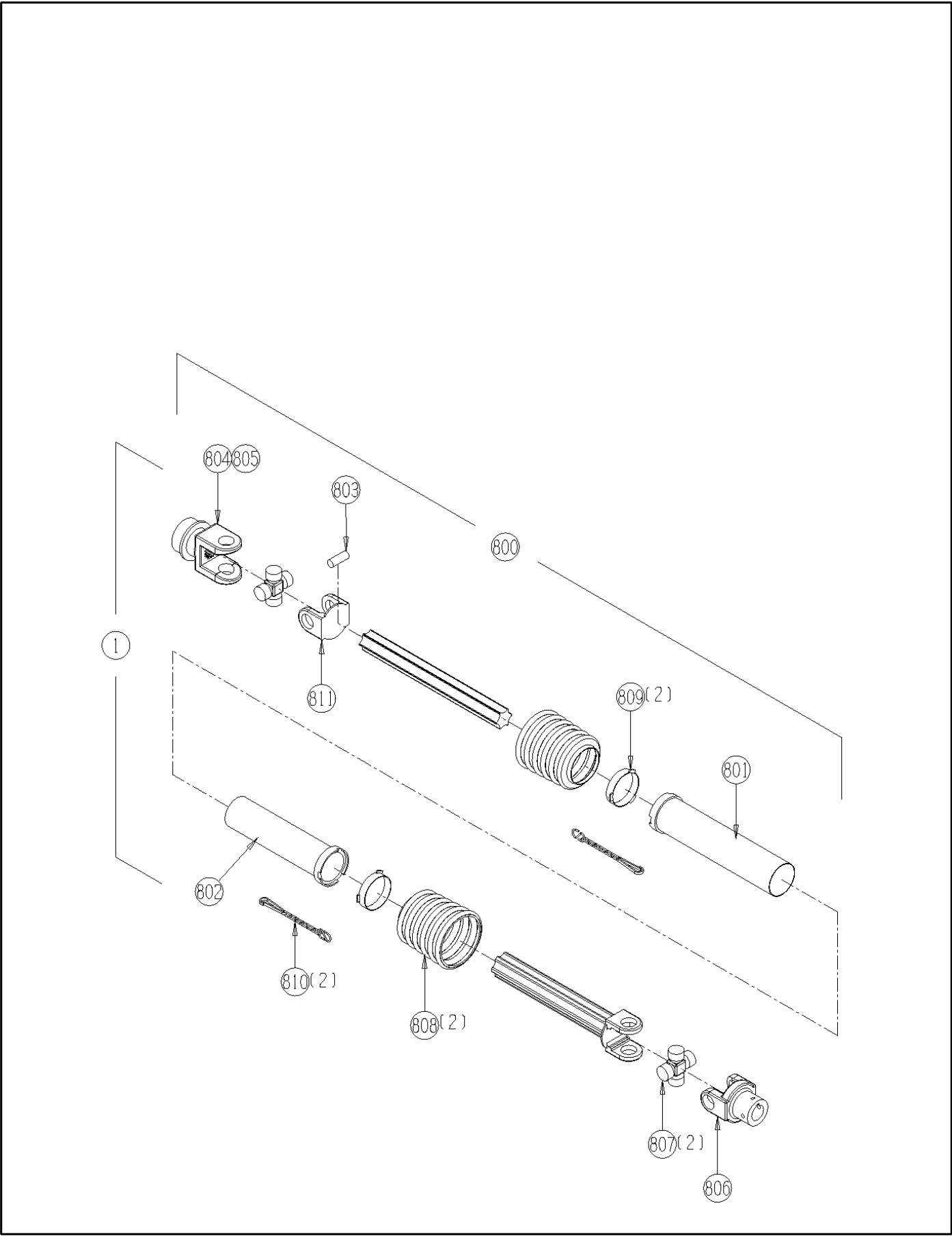
<u>Ref</u>	<u>Part No.</u>	<u>Description</u>	<u>Parts – Assembly</u>	<u>Will Fit SN</u>	<u>Remarks</u>
1	FRM-8111	Frame, 2 Point Hitch HC290 Tomato	1		
2	MOU-0062	Hydraulic Mount, Gooseneck Hitch, 3100 Cucumber	2		
3	MOU-0061	Hydraulic Mount	1		
4	SUP-0090	Hydraulic Support	1		
5	SHD-3100	Shield, PTO, Compressorless	1	KIT-800 30095001- 40096001-	Used ONLY on machines with no air compressor.
6	BT-3100	Belting, PTO Shield, Compressorless	1	30095001- KIT-800	Used ONLY on machines with no air compressor
7	PIN-003P	Pin, Quick Hitch & Tomato	2		
8	H32-171	2" Suction Hose, To Front Pump	1		
9	CL-201SD	2" Hose Clamp, Super Extra, Two Bolt, 2.00-2.4"	8		
10	CL-375	3" Hose Clamp, Heavy Duty T-Bar, 3.375-3.75"	4		
11	EL-1269	Power Cord 7-Prong 3000 Gooseneck Hitch	1		
12	ELC-0013	6 Foot Control Box Cord Ext. 2000 Chili	1		
13	h10-172-8MP-8MP	5/8 in hose 1/2MP x 1/2MP x 172 in long	4		
14	A-4444-32-32	2" Male Pipe Hose Barb	4		
15	H32-163	2" Suction Hose, To Back Pump	1		
16	WT-17H	Heavy Duty Wire Tie 17.5"	20		
17	H32-90	2" Suction Hose, From Tank to Gate Valve	2		
18	HOS-3-4-72SP	Hose 3", Suction Line Cover Clear, 190 Tomato	2		
19	HV-GV-200	2" Brass Gate Valve	2		
20	H12-180-12MP-12MP	3/4"Hose, 3/4"MP x 3/4" MP x 180"Long	2		
21	GF-1827	Grease Fitting 1/8 NPT Straight	2		
22	HP-365-C3	Hydraulic Pump, Model 365	1		
23	HP-1003	Overhung Load Adapter	1	11001	

3006-1-13



3006-1-14 Optional G-Neck 1-3/8" PTO Assembly

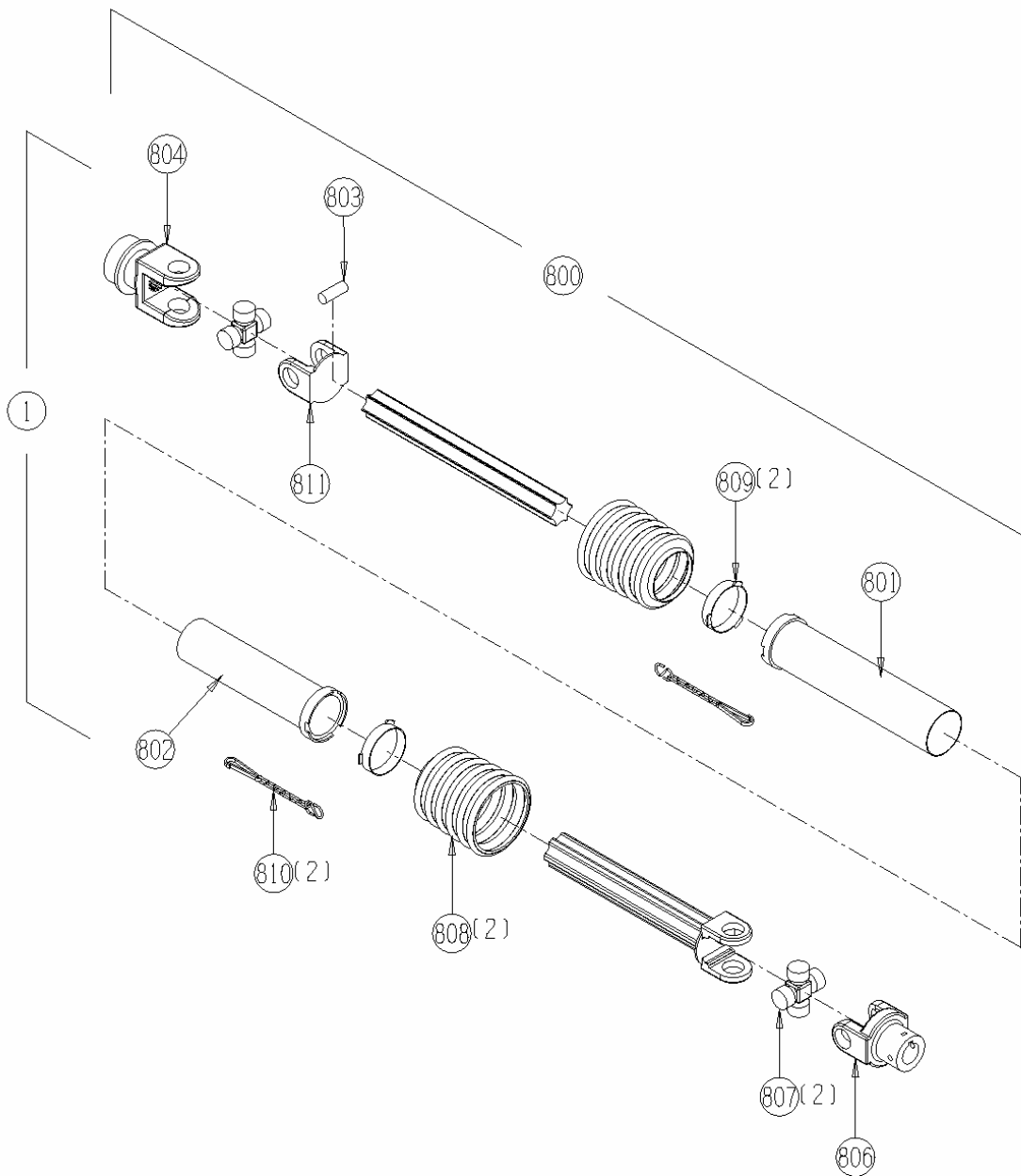
<u>Ref</u>	<u>Part No.</u>	<u>Description</u>	<u>Parts – Assembly</u>	<u>Will Fit SN</u>	<u>Remarks</u>
1	PTS-4002	1-3/8 21-spline x Overhung LA, 2-Point Hitch	1		
101	BL-6-050-SC	3/8-16 x 1/2" Knurled Point Set Screw	2		
800	PTS-4001-RH	Rear Half Only, Overhung LA, 2-Point Hitch	1		
800	PTS-8100-FH	1-3/8 x 21-spline, Front Half for PTS-8100, PTS-4002	1		
801	PTS-4001OS	PTO Outer Shield (Waltershied) Chili	1		
802	PTS-4001IS	PTO Inner Shield (Waltershied) Chili	1		
803	PTS-3001-D	Spring Pin 10x90	1		
804	PTS-1002A	PTO Tractor Yoke (Waltershied) 1-3/4 x 20 Spline	1	19101-	John Deere PN AW25387
805	PTS-1002C	PTO Yoke (Waltershied) 1 3/8" x 21 spline	0	19101-	John Deere PN AW25386
806	PTS-1003-H	PTO Inner Yoke (Waltershied)	1		
807	PTS-4001B	Extended Lube Cross & Bearing Kit	2	Waltershied Yokes	Replaces PTS-1002B
808	PTS-1002E	PTO Shield Cone (Waltershied)	2	19101-	
809	PTS-1002J	PTO Shield Bearing Ring	2		
810	PTS-1002K	PTO Shield Safety Chain	2		
811	PTS-4001Y	Inboard Yoke, Tractor Half	1		



3006-1-15 Optional G-Neck 1-3/4" PTO Assembly

<u>Ref</u>	<u>Part No.</u>	<u>Description</u>	<u>Parts – Assembly</u>	<u>Will Fit SN</u>	<u>Remarks</u>
1	PTS-4001	1-3/4 20-spline x Overhung LA, 2-Point Hitch	1		IH MX Series Quick Hitch On Ford New Hol. Quick Hitch Off JD 7000 & 8000 both Hitch configs Case IH above 160 HP Quick H on Case IH Under 159 HP Both Hitch configs
101	BL-6-050-SC	3/8-16 x 1/2" Knurled Point Set Screw	2		
800	PTS-4001-FH	1-3/4 x 20-spline, Front Half for PTS-8101, PTS-4001	1		
800	PTS-4001-RH	Rear Half Only, Overhung LA, 2-Point Hitch	1		
801	PTS-4001OS	PTO Outer Shield (Waltershied) Chili	1		
802	PTS-4001IS	PTO Inner Shield (Waltershied) Chili	1		
803	PTS-3001-D	Spring Pin 10x90	1		
804	PTS-1002A	PTO Tractor Yoke (Waltershied) 1-3/4 x 20 Spline	1	19101-	John Deere PN AW25387
806	PTS-1003-H	PTO Inner Yoke (Waltershied)	1		
807	PTS-4001B	Extended Lube Cross & Bearing Kit	2	Waltershied Yokes	Replaces PTS-1002B
808	PTS-1002E	PTO Shield Cone (Waltershied)	2	19101-	
809	PTS-1002J	PTO Shield Bearing Ring	2		
810	PTS-1002K	PTO Shield Safety Chain	2		
811	PTS-4001Y	Inboard Yoke, Tractor Half	1		

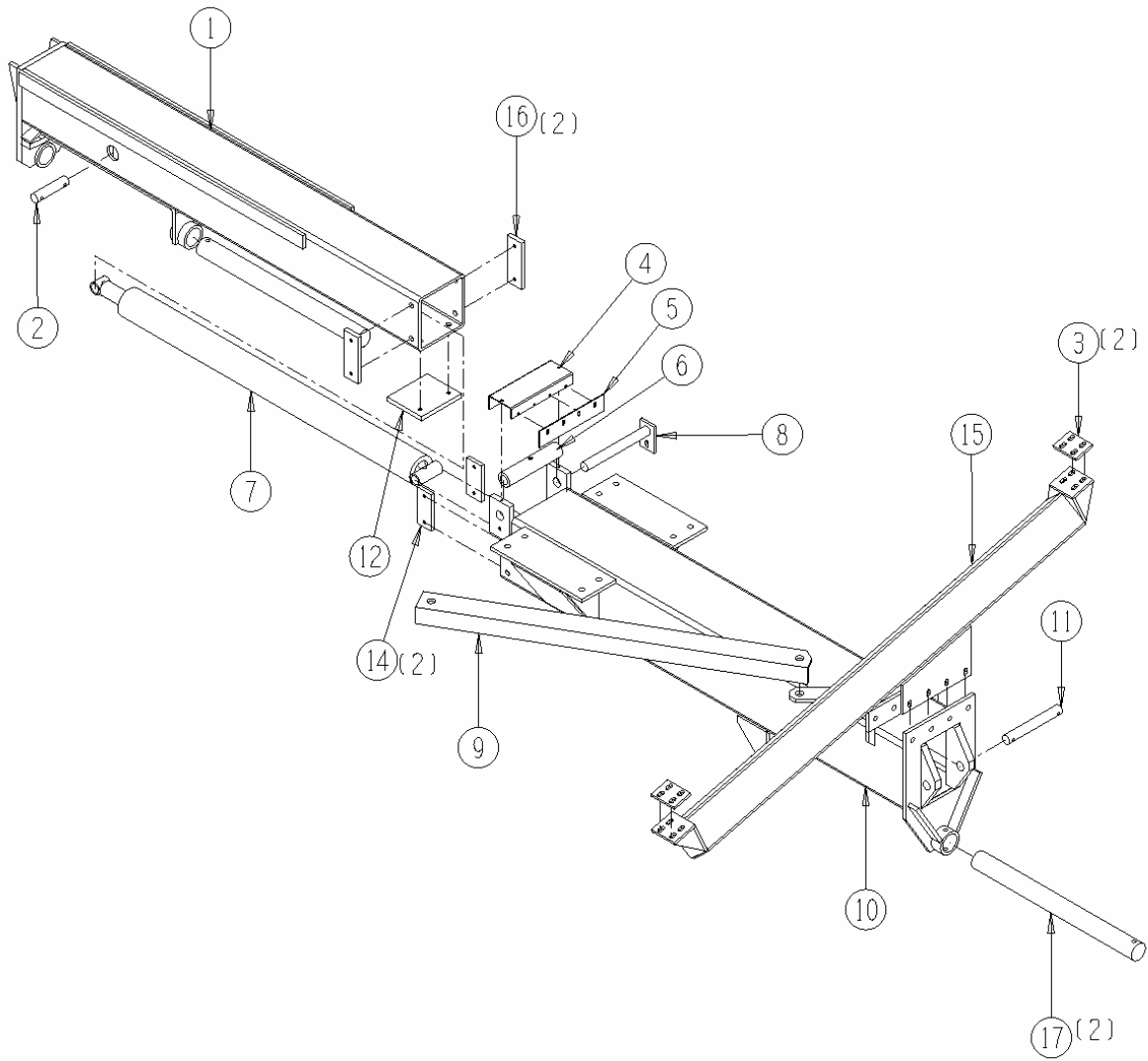
3006-1-15



3006-1-20 Standard Axle for Tandems Assembly

<u>Ref</u>	<u>Part No.</u>	<u>Description</u>	<u>Parts – Assembly</u>	<u>Will Fit SN</u>	<u>Remarks</u>
1	WHL-3141	Axle, Inner (Pickle)	1	30096001-	
2	PIN-3121	Pin, Inner Axle (Pickle)	1	30095001-	
3	SPA-3312	Spacer, Shaker Frame, Axle, Cucumber	2	30096001-	
4	SHD-3151	Shield, Scraper Roller, Outer Axle (Pickle)	1	30096001-	
5	PL-3151	Plastic, Shield, Scraper, Axle (Pickle)	1	30096001-	
6	RLP-3151	Roller, Axle (Pickle)	1	30096001-	
7	HC-400-48	Hydraulic Cylinder 4" x 48" w/2" rod	1		
8	PIN-3151	Pin, Roller, Outer Axle (Pickle)	1	30096001-	
9	SUP-3110	Support, Axle & Frame (Pickle)	1	30095001-	
10	WHL-3151	Wheel, Axle, Outer (Pickle)	1	30096001-	
11	PIN-3111	Pin, Outer Axle (Pickle)	1	30095001-	
12	SUP-3141	Support, Slide Plate, Inner Axle, Cuc	1		
13	SPA-3141	Bar, Slider Block, Rear, Inner Axle (Pickle)	0	30096001-	
14	SPA-3151	Bar, Slider Block, Rear, Outer Axle (Pickle)	1	30096001-	
15	MOU-3312	Mount, Shaker-Axle & Frame Mount (Pickle)	1	30096001-	Replaces MOU-3310
16	BAR-3141	Bar, Slider Block, Inner Axle (Pickle)	2	30096001-	
17	110-1110	Pin, Rocker	2	110-90-01-	
18	BAR-3151	Bar, Slider Block, Outer Axle (Pickle)	0	30096001-	
100	BL-8-FW	1/2 USS FW ZC	5		
102	BL-8-LW	1/2 SPLIT LW ZC	5		
600	H4-53-6MP-6MP	1/4 in hose 3/8MP x 3/8MP x 53 in long	1		
601	A-1405-6-6	3/8 NPT coupler w/swivel	1		
602	A-1501-6-6	3/8" MP x 3/8" FPX90	1		
603	A-1501-8-6	1/2 MP x 3/8 FPX 90	2		
604	H4-238-6MP-6MP	1/4 in hose 3/8MP x 3/8MP x 238 in long	2		

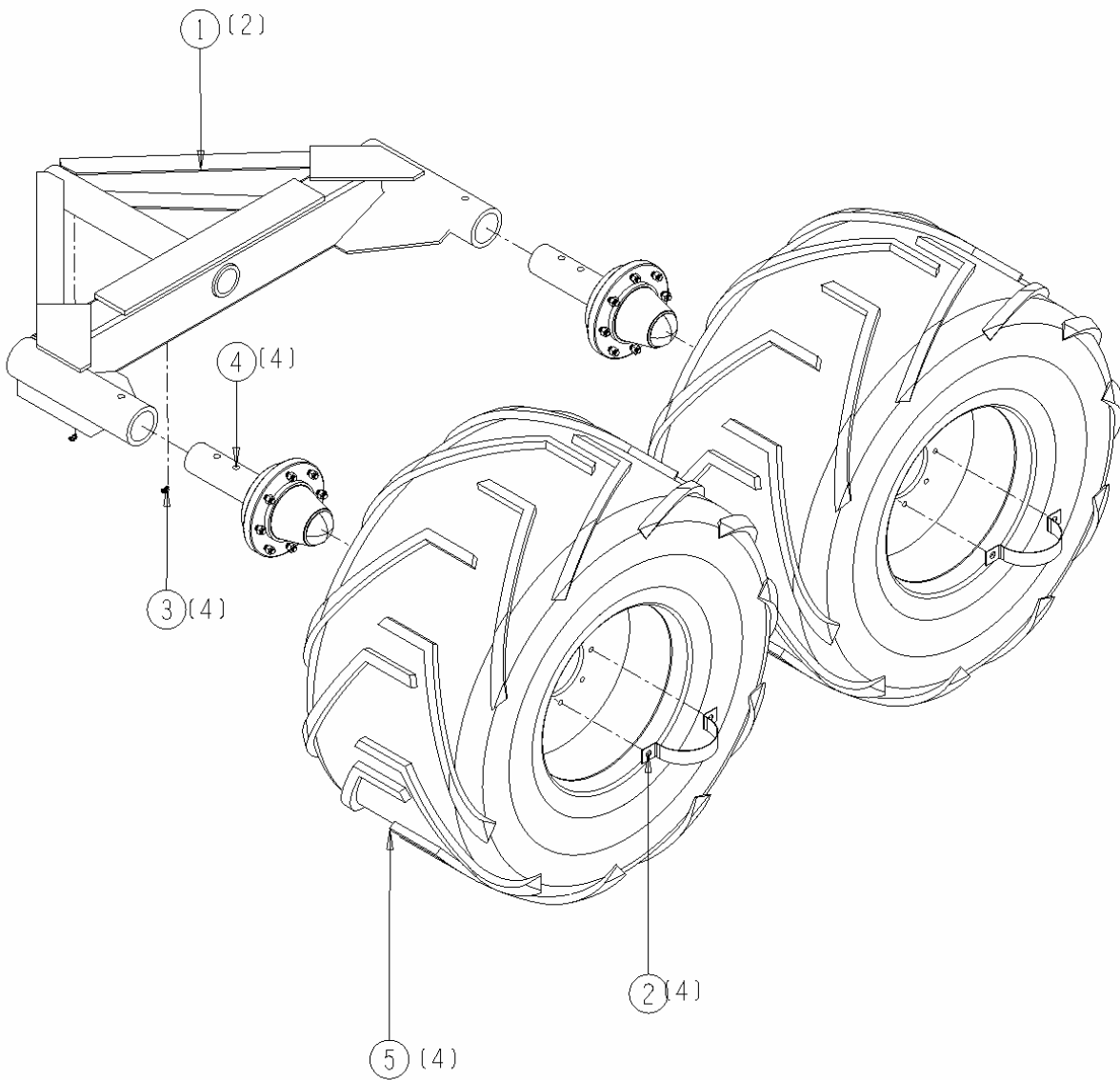
3006-1-20



3006-1-21 Tandem Wheel & Rocker Assembly

<u>Ref</u>	<u>Part No.</u>	<u>Description</u>	<u>Parts – Assembly</u>	<u>Will Fit SN</u>	<u>Remarks</u>
1	WHL-3099	Wheel, Axle, Rocker, Tandem Float Tires, Cuc	2	30099001-	
2	BRA-8111	Bracket, Strap, Wheel & Rocker, HC290 Tomato	4		
3	GF-1428-90	Grease Fitting 1/4" x 28 90	4		
4	WHL-3000	Hub Assembly Complete (includes spindle)	4		
5	WHM-3000	Cucumber Tire/Wheel Assy. Mounted (Tubeless)	4	3000	
100	BL-10-500-H	5/8-11 X 5 HEX CAP G5 ZC	4		
100	BL-10-LN	5/8-11 HEX LN NE ZC	4		
800	WHL-3000A	Inner Cup	4	WHL-3000	
800	WHL-3000B	Outer Cup	4	WHL-3000	
800	WHL-3000C	Inner Cone	4	WHL-3000	
800	WHL-3000D	Outer Cone	4	WHL-3000	
800	WHL-3000E	Stud Bolt	32	WHL-3000	
800	WHL-3000F	Lug Nut	32	WHL-3000	
800	WHL-3000G	Seal	4	WHL-3000	
800	WHL-3000H	Hub Cap	4	WHL-3000	
800	WHL-3000J	Spindle Nut	4	WHL-3000	
800	WHL-3000K	Spindle Washer	4	WHL-3000	
800	WHL-3001	Spindle 3" x 16"	4	WHL-3000	

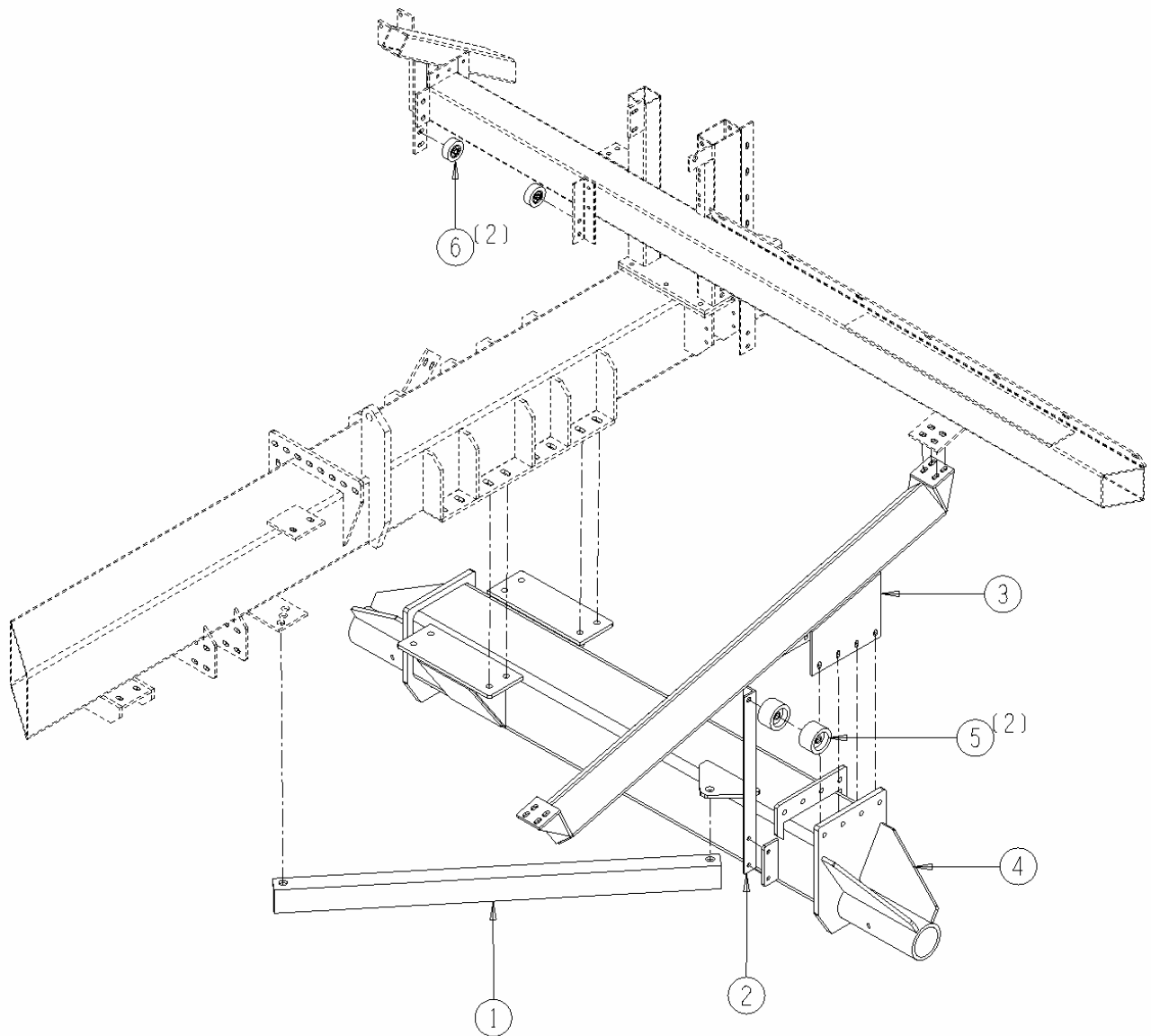
3006-1-21



3006-1-22 Optional Single Wheel Axle Assembly

<u>Ref</u>	<u>Part No.</u>	<u>Description</u>	<u>Parts – Assembly</u>	<u>Will Fit SN</u>	<u>Remarks</u>
1	ARM-3003	Arm, Steering Bar, Single Wheel, 3000	1		
2	POS-3003	Post, Hold Up Roller, Single Wheel Axle, 3000	1		
3	SUP-3003	Support, Frames, Axle, Single Wheel Assembly, 3000	1		
4	WHA-3003	Wheel Axle, Single Wheels, 3000 Machine	1		
5	RLT-035-2210	Roller 3.5 dia x 2.2 x 5/8" bore, no flange	2	194-161K	
6	RLT-027-108	Roller 2.75" dia. 1/2" Bore	2		

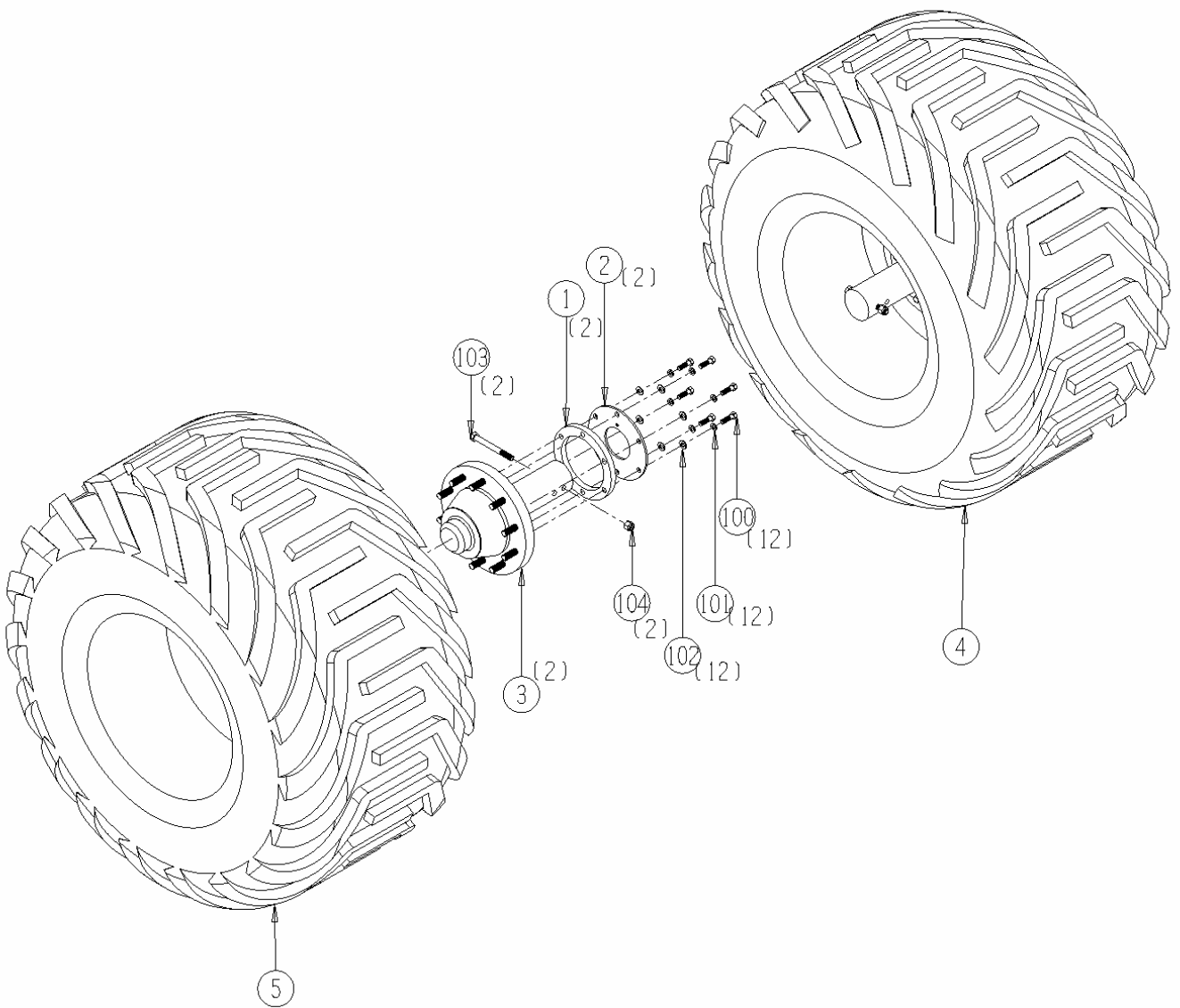
3006-1-22



3006-1-23 Optional Single Wheel Tires & Spindles Assembly

<u>Ref</u>	<u>Part No.</u>	<u>Description</u>	<u>Parts – Assembly</u>	<u>Will Fit SN</u>	<u>Remarks</u>
1	PL-1210	Plastic, Spacer Shield/Scraper, WHL-1210	2		
2	SHD-1210	Shield, Seal Protector, WHL-1210	2		
3	WHL-1210	Hub and Spindle Assembly	2		
4	WHM-3003L	3000 Cucumber Left Single Tire Mounted	1		
5	WHM-3003R	3000 Cucumber Right Single Tire Mounted	1		
100	BL-8-175-HNF	1/2-20 x 1-3/4 Hex Head Fine Thread	12		
101	BL-8-LW	1/2 SPLIT LW ZC	12		
102	BL-8-SW	1/2 SAE FW ZC	12		
103	BL-10-600-H	5/8-11 X 6 HEX CAP G5 ZC	2		
104	BL-10-LN	5/8-11 HEX LN NE ZC	2		
800	WHL-1210A	Inner Cup	2		
801	WHL-1210B	Outter Cup	2		
802	WHL-1210C	Inner Cone	2		
803	WHL-1210D	Outter Cone	2		
804	WHL-1210E	Dust Cap	2		
805	WHL-1210F	Grease Seal	2		
806	WHL-1210G	Flange Nut, Spindle	2		
807	WHL-1210H	Washer, Spindle	2		
808	WHL-1210I	Cotter Pin, Spindle	2		
809	WHL-1210J	Wheel Stud Bolt	20		
810	WHL-1210K	Wheel Stud Nut	20		
811	WHL-1210L	Wheel Stud Washer	20		
812	WHL-1210M	Spindle	2		
813	WHL-3003	3000 Cucumber Rim for Single Tire	2		
814	WHT-3003	3000 Cucumber Single Tire	2		

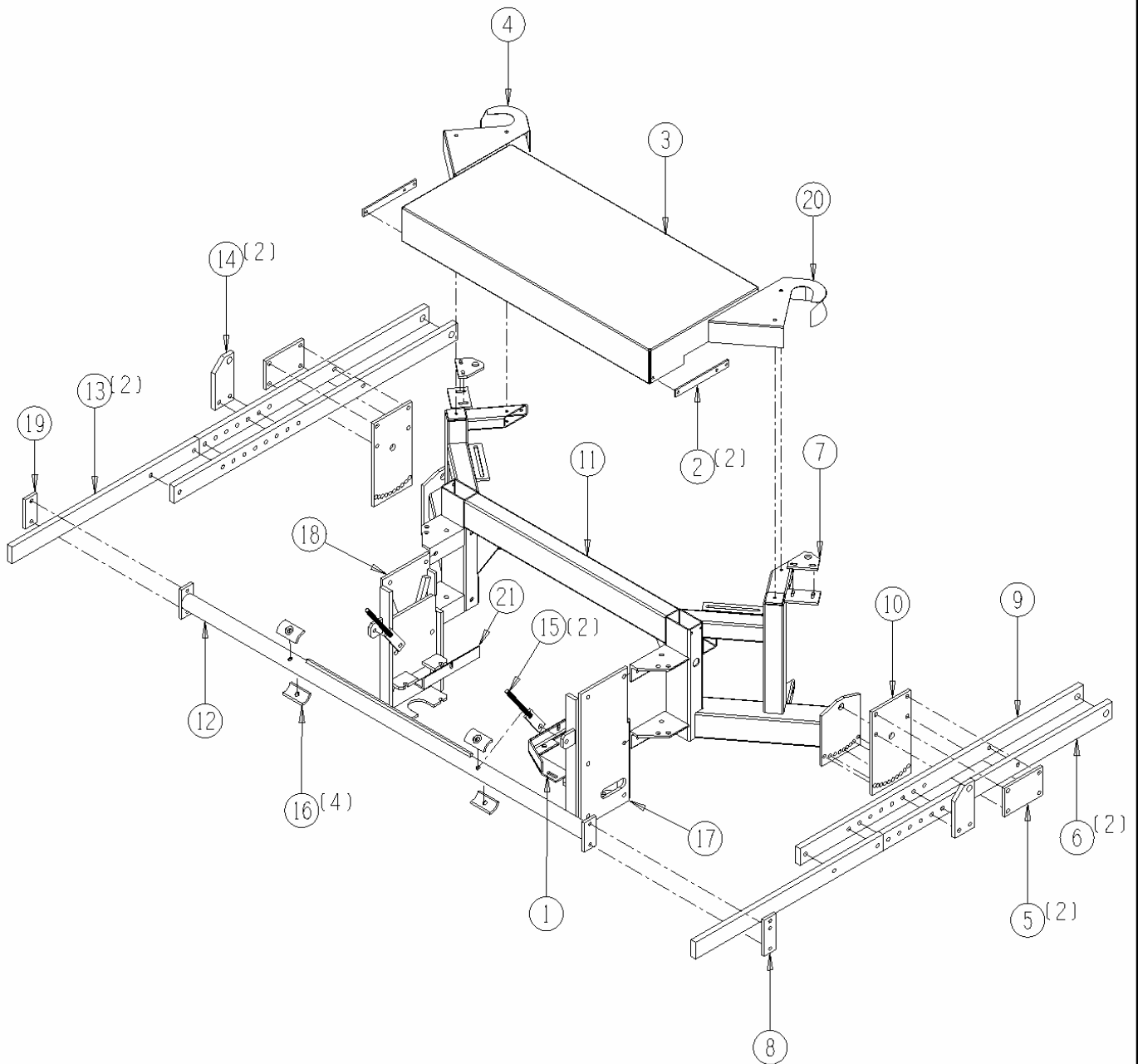
3006-1-23



3006-2-1 Disk Header Frame Assembly

<u>Ref</u>	<u>Part No.</u>	<u>Description</u>	<u>Parts – Assembly</u>	<u>Will Fit SN</u>	<u>Remarks</u>
1	BRA-6138	Bracket, Gathering Chain Hold Down, Cuc.	1		
2	BAR-613	Bar, Cover Support, Disk Header (Pickle)	2	61395001-	
3	COV-613	Cover, Shield, Disk Header (Pickle)	1	61396001-	
4	SHD-6131	Shield, Left, Disk Drive, Disk Header (Pickle)	1	61396001-	
5	BRA-613	Bracket, Adjuster Mount, Disk Header (Pickle)	2	61396001-	
6	SUP-6132	Support, Frame Bar, Inner, Disk Header (Pickle)	2	61395001-	
7	194-109A	Disk Motor Stop	2		Available as update kit
8	MOU-6136	Mount, Support Bar, Disk Header, Cucumber	1	61396001-	
9	SUP-6131	Support, Frame Bar, Outer, Disk Header (Pickle)	2	61395001-	
10	ADJ-613	Adjuster, Mounting Plate, Disk Header (Pickle)	2	61396001-	
11	FRM-613	Frame, Disk Header (Pickle)	1	61396001-	
12	SUP-6137	Support, HHC, Pick Up Header Frame, Cuc	1		Replaces SUP-6135
13	SUP-6133	Support, Frame Bar, Coulter, Disk Header (Pickle)	1	61396001-	
14	SUP-6134	Cylinder Bracket (Extended)	2		
15	ADJ-6139	Adjuster, Support, Disk Bearing, Cuc	2	61398- KIT-0062	
16	SUP-6136	Support, Frame Support, Disk Header, Cucumber	4	30097001-	
17	SUP-6138	Support, Disk Bearing, Lowering, Left Side	1	61395-	
18	SUP-6139	Support, Lower Bearing, Right Side	1	61395-	
19	MOU-6135	Mount, Support Bar, Disk Header, Cucumber	1	61396001-	
20	SHD-613	Shield, Disk Drive. Disk Header (Pickle)	1	61396001-	
21	BRA-6139	Bracket, Gathering Chain Hold Down, Cuc	1		
100	BL-10-300-H	5/8-11 X 3 HEX CAP G5 ZC	2		
101	BL-10-350-H	5/8 UNC X 3 1/2 HH C/S BOLT GR ZINC	8		
102	BL-10-LN	5/8-11 HEX LN NE ZC	10		
103	BL-16-250H	1" x 2 1/2" Gr 5 HH Bolt Zinc Coated	2		
104	BL-16-400-H	1" x 4" Gr 5 HH Bolt Zinc Coated	2		
105	BL-16-LN	1" Lock Nuts w/ Nylon Inserts	4		

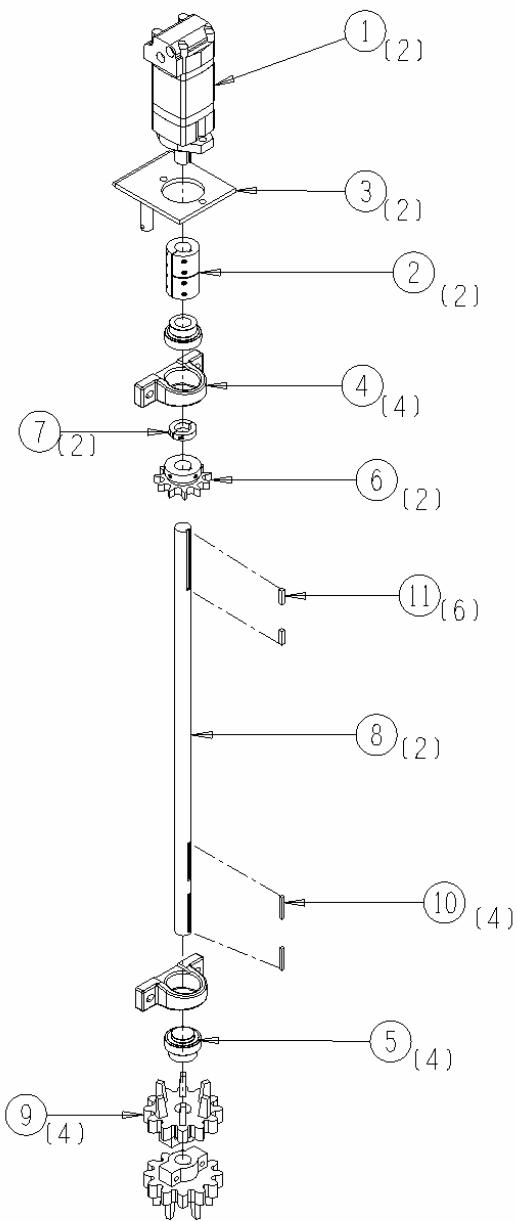
3006-2-1



3006-2-2 Disk Header Drive Assembly

<u>Ref</u>	<u>Part No.</u>	<u>Description</u>	<u>Parts – Assembly</u>	<u>Will Fit SN</u>	<u>Remarks</u>
1	HM-500-OMS	Hydraulic Motor	2		Replaces HM-1420-TC
2	CPS-6057	Coupler, Solid, 1.25", Cucumber & Tomato	2		This Replaces CPS-6056.
3	MOU-1228	Mount, Motor, SAE A Two Bolt, Disk Header	2		
4	BR-072-RAK	Bearing Housing 72 mm	4		
5	BR-125-072	Bearing, 1 1/4 Fafnir tri-seal, 72mm OD	4		
6	SP-80B11-20-5	11 Tooth #80 Sprocket 1 1/4" bore 5/16" key	2		
7	SC-20-2	Shaft Collar, 2 piece 1 1/4" bore	2		
8	SFT-613	Shaft, Gathering Chain, Disk Header, Cuc	2	61399001-	
9	SPU-3612-20-4	Urethane Sprocket 36-12 1 1/4 bore 1/4" key	4		Sub SP-3612-20-4
10	KEY-4-4-32	Shaft Key 1/4" x 2" Square Cut (1018)	4		
11	KEY-5-5-20	Shaft Key 5/16" sq x 1 1/4" Square Cut (1018)	6		

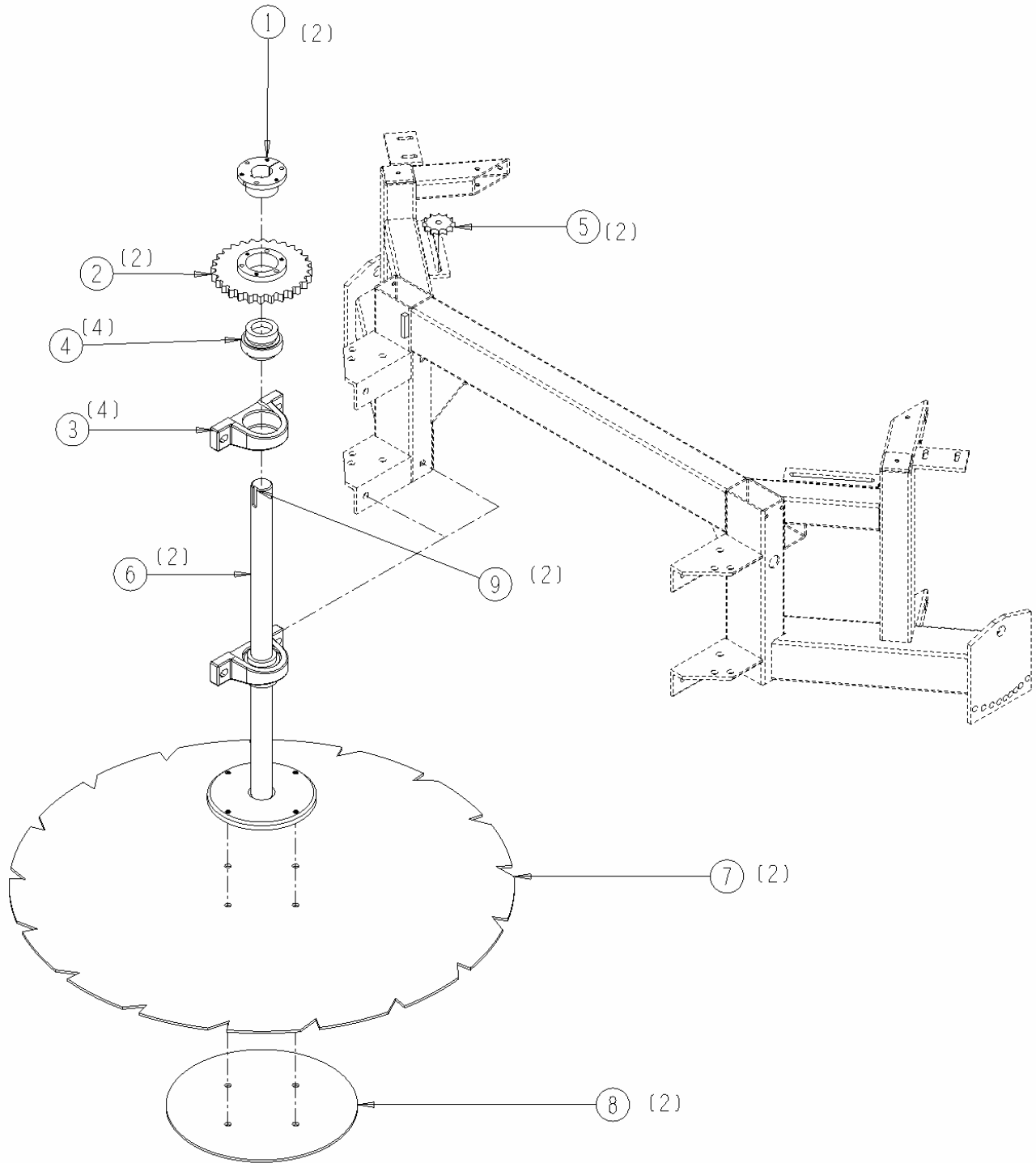
3006-2-2



3006-2-3 Disk Shaft Assembly

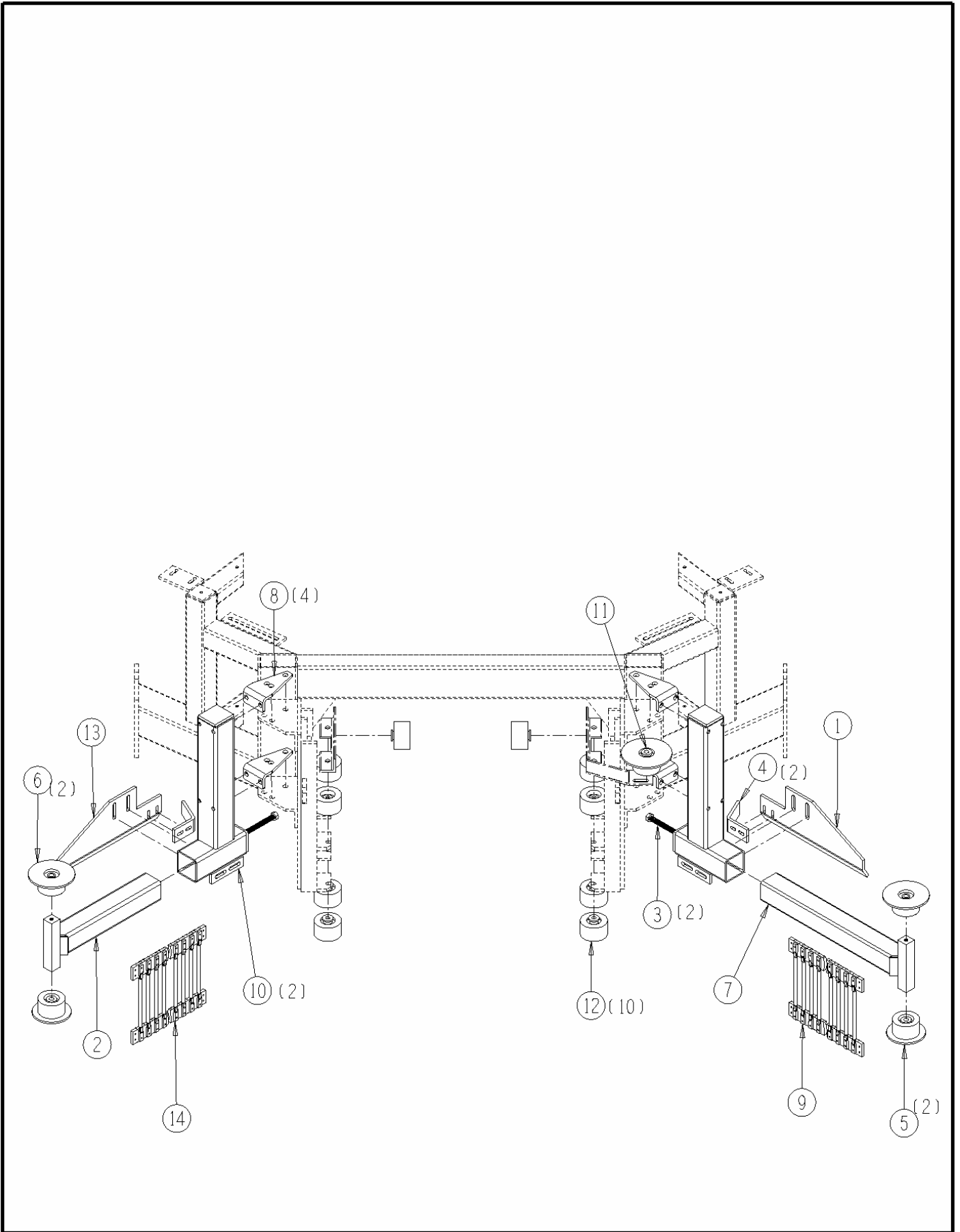
<u>Ref</u>	<u>Part No.</u>	<u>Description</u>	<u>Parts – Assembly</u>	<u>Will Fit SN</u>	<u>Remarks</u>
1	SP-SF-2	SF-2" Bushing	2		
2	SP-80SF28	#80 Sprocket 28 Tooth x SF Bushing	2		
3	BR-100-RAK	Bearing Housing 100 mm	4	11001	
4	BR-200-100	2" Fafnir Bearing, Tri-ply	4	11001	
5	SP-8012-T	#80 Idler Sprocket	2		
6	191-131	Shaft, Disk	2		
7	HD-150-48	48" Header Disk, AR500	2		Replaces HD-140-48
8	HD-140-18S	Disk, Support 18"	2		
9	KEY-8-8-40	Shaft Key 1/2" x 1/2" x 2 1/2"	2		
10	CH-80C	Roller Chain Link #80 Connecting Link	2		
11	CH-80-69	Roller Chain, #80 69 Pitches, Disk Header, Pickle	2	30098001-	

3006-2-3



3006-2-4 Gathering Chain Assembly

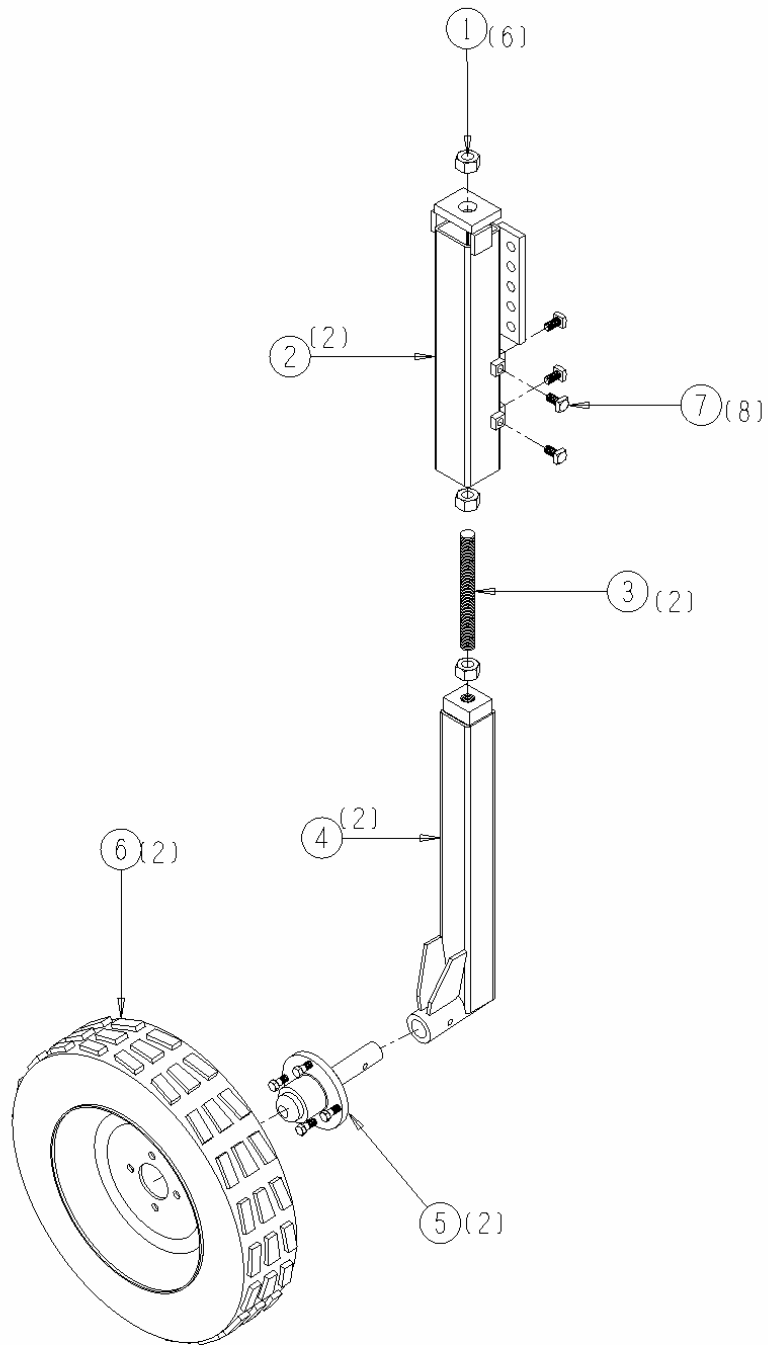
<u>Ref</u>	<u>Part No.</u>	<u>Description</u>	<u>Parts – Assembly</u>	<u>Will Fit SN</u>	<u>Remarks</u>
1	SCR-613L	Scraper, Cuc., Cutting Disk, Left	1		
2	ADJ-6155	Adjuster, Nose Cones	1	61396001-	Replaces ADJ-6153 and ADJ-6154
3	SCR-6131	Scraper, Disk Hub (Disk Header & Pickle)	2	61396001-	
4	BL-10-600-T	5/8-11 x 6" Fully Threaded Bolt	2		
5	RLT-535-2210-RV	5" Flange Roller 2.2 WF 3.5 dia, 5/8" bore w/ Inverted Spindle	2		
6	RLT-635-2210-RV	6" Flange Roller 2.2WF 3.5 Dia, 5/8" Bore w/Inverted Spindle	2		
7	ADJ-6156	Adjuster, Nose Cones, 6.5" longer, Cuc.	1	61396001-	
8	BAR-8204	Bar, Gathering Chain Bracket Holder, HC290	4		
9	BC-6-1236-83	Gathering Chain For Wide header	1		
10	BRA-8204	Bracket, Gathering Chain, HC290	2		
11	RLT-635-2210	6" Flange Roller 2.2 WF 3.5 dia, 5/8" bore	1		
12	RLT-035-228	Roller 3.5 dia x 2.2 x 1/2" bore, no flange	10		
13	SCR-613R	Scraper, Cuc., Cutting Disk, Right	1		
14	BC-6-1236-73	Gathering Chain for Pickle Harvester	1		



3006-2-5 Disk Header Gauge Wheel Assembly

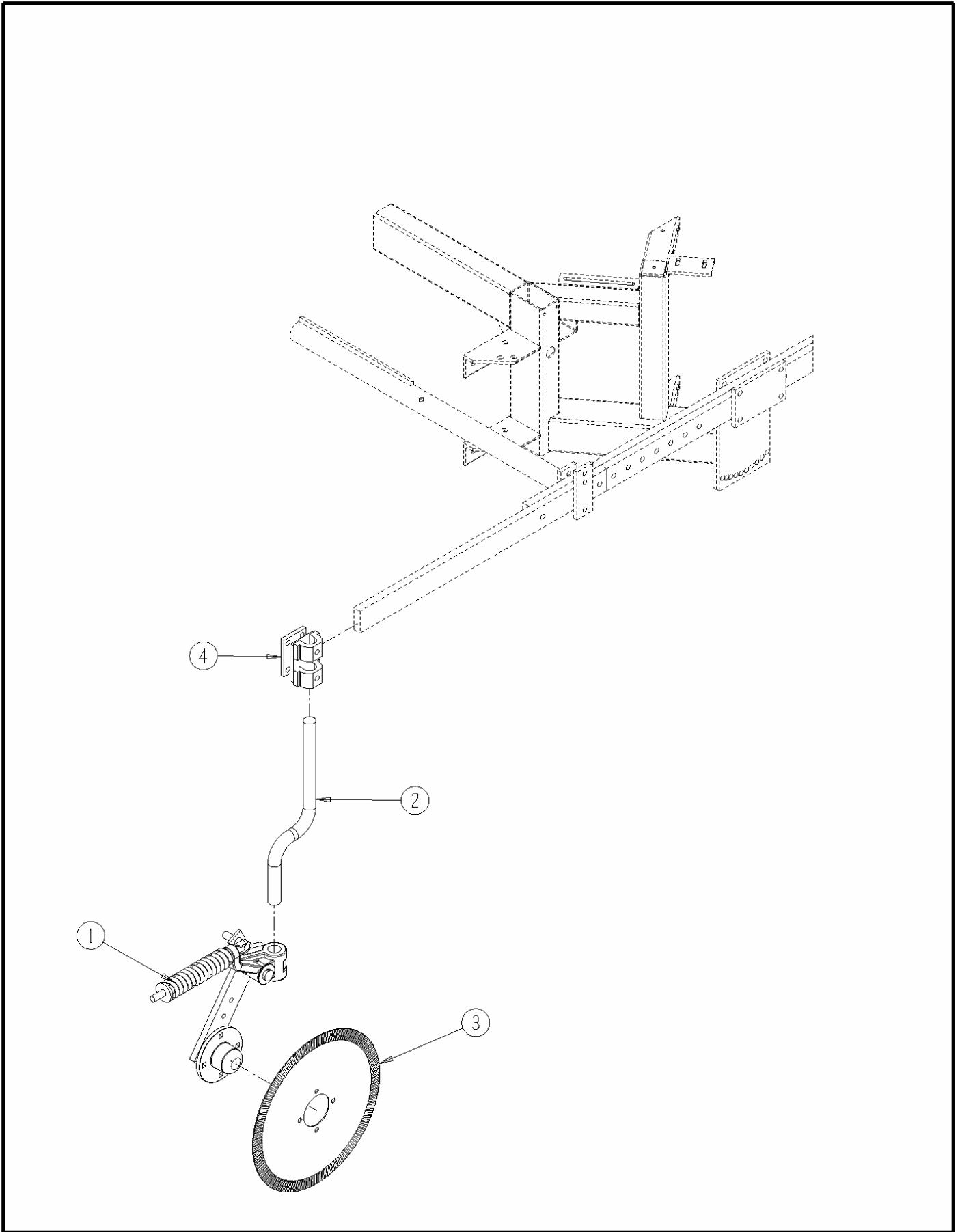
<u>Ref</u>	<u>Part No.</u>	<u>Description</u>	<u>Parts – Assembly</u>	<u>Will Fit SN</u>	<u>Remarks</u>
1	BL-14-N	7/8" x 9 Plated Nuts	6		
2	WHL-6133	Wheel, Gauge Wheel, Disk Header, Cuc	2		Replaces WHL-6130 and WHL-6131
3	MOU-6132	Mount, Adjuster Support, Depth Wheel, Cucumber	2	61397001-	
4	WHL-6132	Depth Control	2	61397-1-5	
5	WHL-190	Gauge Wheel Hub and Spindle Complete	2		
6	WHL-192-H	Gauge Wheel 480-12 (Heavy Duty)	2		
7	BL-8-100-SQSS	1/2 x 1 Square Head Set Screw (USS)	8		
800	PIN-C3-32-24	Cotter Pin 3/32 x 1 1/2"	2		
801	WBR-199B	Header Wheel Hub Only	2	WHL-190	
802	WBR-199C	Inner Bearing	2	WHL-190	
803	WBR-199D	Outer Bearing	2	WHL-190	
804	WBR-199E	Spindle Nut	2	WHL-190	
805	WBR-199F	Seal	2	WHL-190	
806	WBR-199H	Cup	2	WHL-190, WHL-4000	
807	WBR-199I	Outer cup	2	WHL-190	
808	WBR-199J	Spindle Shim	2	WHL-190	
809	WBR-199K	Gauge Wheel Bearing Kit	2	WHL-190	Includes seal, inner and outer bearings and cones
810	WBR-199L	Lug Bolt for Gauge Wheel	8	WHL-190	
811	WBR-199S	Gauge Wheel Spindle Only	2	WHL-190	w/ WHL-191 replaces WBR-199A
812	WHL-178	Bearing Protector @Pair	2		

3006-2-5



3006-2-6 Coulter Assembly

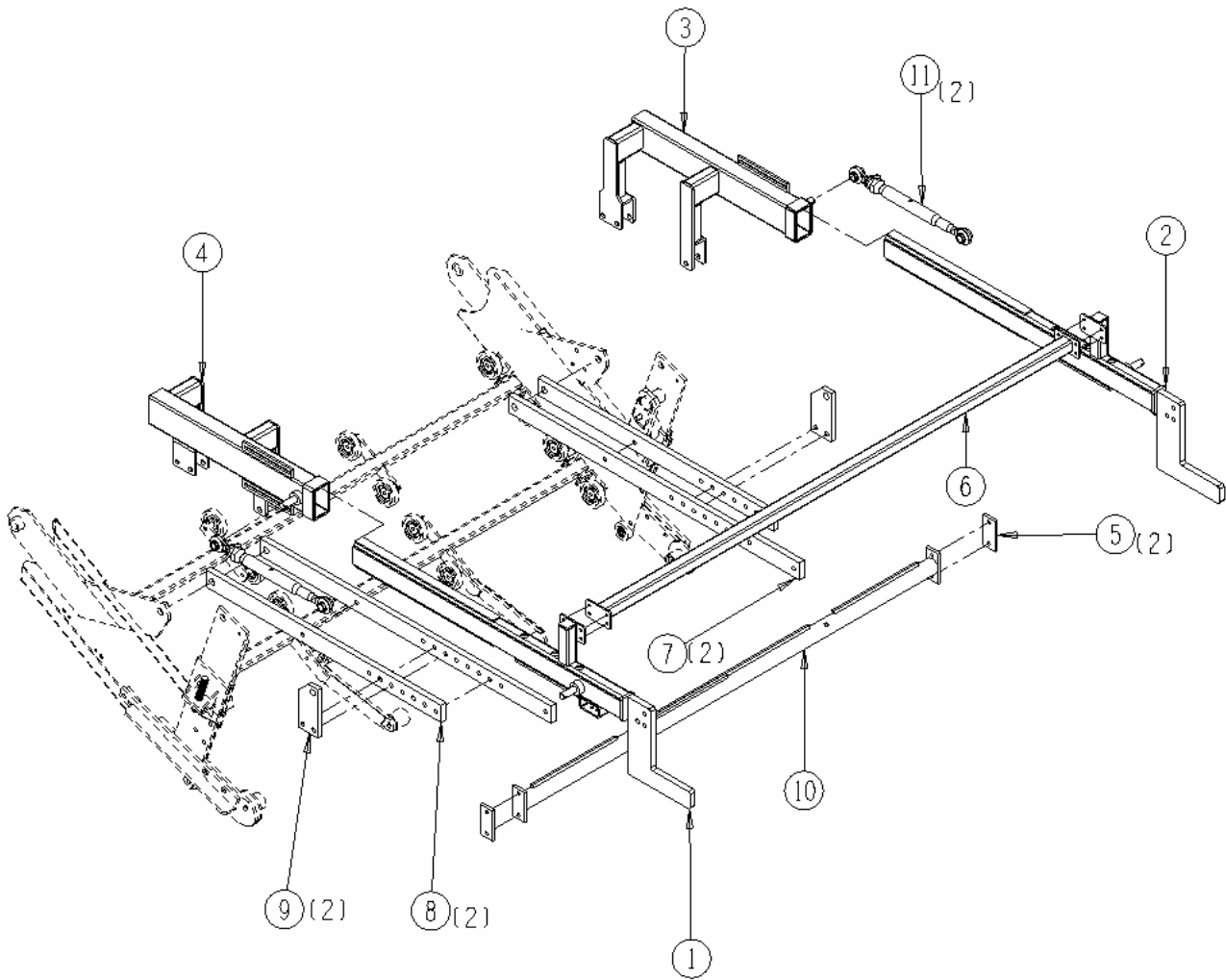
<u>Ref</u>	<u>Part No.</u>	<u>Description</u>	<u>Parts – Assembly</u>	<u>Will Fit SN</u>	<u>Remarks</u>
1	CLT-324L	Utility Coulter	1		Refer to manufacturer's literature.
2	CLT-132C	Offset Shank	1		Refer to manufacturer's literature.
3	CLT-074C	Narrow Fluted Blade	1		Refer to manufacturer's literature.
4	CLT-064K	3" x 3" Clamp Kit	1		Refer to manufacturer's literature.



3006-2-11 Blade Header Frame Assembly

<u>Ref</u>	<u>Part No.</u>	<u>Description</u>	<u>Parts – Assembly</u>	<u>Will Fit SN</u>	<u>Remarks</u>
0	STP-3900	Stop, Cylinder, Blade Header, 3000 Cuc.	2		
1	ARM-3900	Arm, Right Slider, Bar Mount, 3000 Cuc.	1		
2	ARM-3901	Arm, Left Slider, Bar Support, 3000 Cuc	1		
3	MOU-3902	Mount, Bar Header, Cucumber Harvester	1	MOU-3902	
4	MOU-3903	Mount, Inside, Bar Header, Cucumber Harvester	1		
5	MOU-6135	Mount, Support Bar, Disk Header, Cucumber	2	61396001-	
6	SUP-3900	Cross Member, Support, Bar Header, Cuc.	1		
7	SUP-6131	Support, Frame Bar, Outer, Disk Header (Pickle)	2	61395001-	
8	SUP-6132	Support, Frame Bar, Inner, Disk Header (Pickle)	2	61395001-	
9	SUP-6134	Cylinder Bracket (Extended)	2		
10	SUP-6137	Support, HHC, Pick Up Header Frame, Cuc	1		Replaces SUP-6135
11	TL-00337	Top Link With 2in. Nut Welded on			

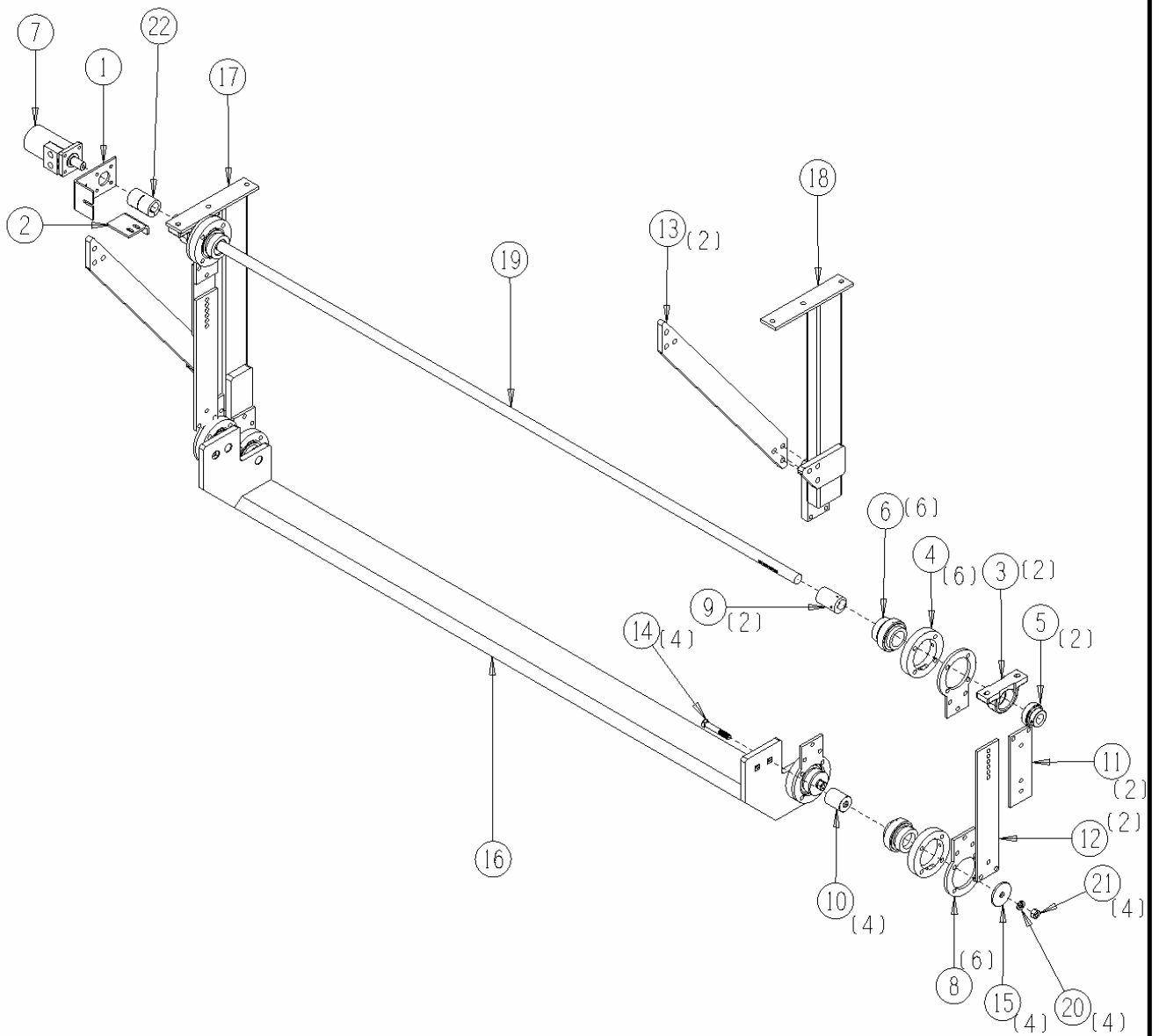
3006-2-11



3006-2-12 Blade Header, Blade Assembly

<u>Ref</u>	<u>Part No.</u>	<u>Description</u>	<u>Parts – Assembly</u>	<u>Will Fit SN</u>	<u>Remarks</u>
1	193-806	Mount motor	1		
2	193-806A	Motor mount stop	1		
3	br-072-rak	Bearing Housing 72 mm	2		
4	BR-100-10037	Bearing Mounting for Shaker, 1996 and Later	6		
5	BR-125-072	Bearing, 1 1/4 Fafnir tri-seal, 72mm OD	2		
6	BR-200-100	2" Fafnir Bearing, Tri-ply	6	11001	
7	HM-208-TC	TCI Motor	1		
8	BAR-3900	Bearing Bar, Bar Header, Cucumber Harvester	6		
9	CAM-3900	Eccentric 2.00 OD x 1.25 ID	2		
10	BU-3900	Urethane Bushing	4		
11	BAR-3902	Support Bar, Bar Header, Cucumber Harvester	2	BAR-3902	
12	BAR-3903	Support Bar	2		
13	BAR-3901	Support Bar, Bar Header, Cucumber Harvester	2		
14	BL-PLOW-BOLT	Plow Bolt	4		
15	BL-HD-WASHER	HD WASHER	4		
16	BLD-3900	Blade, Straight, Blade Header, 3000 Cuc	1		
17	POS-3900	Post, Right, Blade Header, 3000	1		
18	POS-3901	Post, Left, Blade Header, 3000	1		
19	SFT-3903	Shaft, Blade, Blade Header, 3000 Cuc.	1		
20	BL-10-LW	5/8 SPLIT LW ZC	4		
21	BL-10-LN	5/8-11 HEX LN NE ZC	4		
22	CPS-6060	Steel Coupler (offcenter) 1 1/4" x 1"	1		

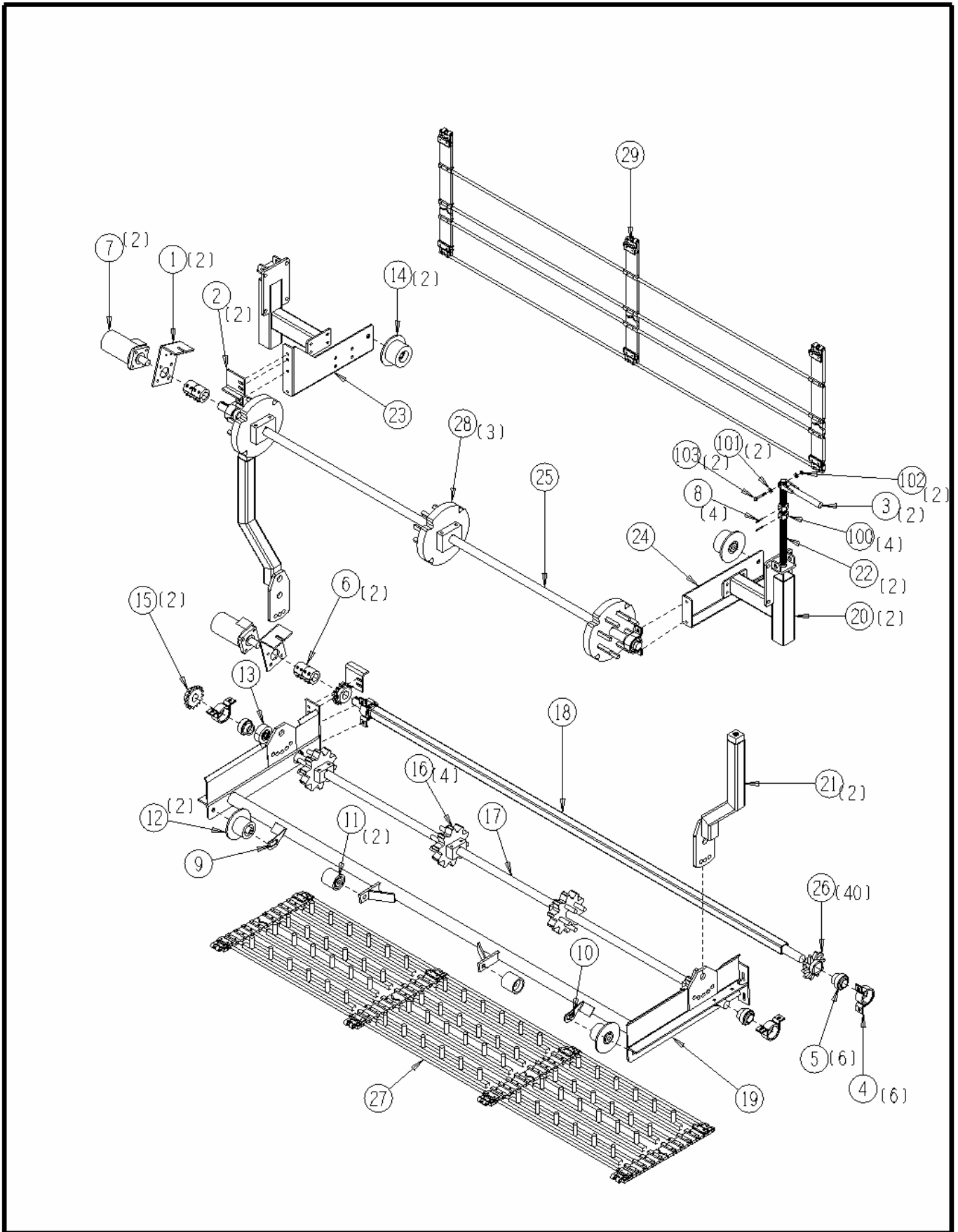
3006-2-12



3006-2-13 Blade Header, In-Feed Chain Assembly

<u>Ref</u>	<u>Part No.</u>	<u>Description</u>	<u>Parts – Assembly</u>	<u>Will Fit SN</u>	<u>Remarks</u>
1	193-806	Mount motor	2		
2	193-806A	Motor mount stop	2		
3	ADJ-8202	Adjuster, Handle, Gauge Wheel, HC290 Tomato	2		
4	BR-062-MPB	Stamped Bearing Housing for 1 1/4" bearing	6		
5	BR-125-062	Bearing, 1 1/4 Fafnir tri-seal, 62mm OD	6		
6	CPS-6060	Steel Coupler (offcenter) 1 1/4" x 1"	2		
7	HM-204-TC	TCI Motor	2		
8	PIN-3-20	Roll Pin 3/16 x 1-1/4 Stainless Steel	4		Sold in Pkg. of 100
9	RLA-3023-T	Straight Scraper, RH	1		
10	rla-3024-t	Straight Scraper	1		
11	RLS-022-2210	Steel Roller, 2.2" Dia., 2" Wide, 5/8" Bore	2		
12	RLS-522-2010-SC	Steel Roller, 5" Flange, 2.2" Dia, 2" wide, w/Hub for Scraper	2		For use with scrapers RLA-3023-TM (RH) and RLA-3024-TM (LH) only
13	RLT-027-108	Roller 2.75" dia. 1/2" Bore	1		2755C1X (Old Number, Single Bearing)
14	RLT-535-2210	5" Flange Roller 2.2 WF 3.5 dia, 5/8" bore	2		
15	SP-50B16-20-4	Sprocket, #50, 16 tooth, 1.25" bore	2		
16	SPU-4210-20-4	42-10 Urethane Sprocket 1 1/4" bore 1/4" key	4		
17	SFT-3900	Shaft, Bar Header, Cucumber Harvester	1		
18	SFT-3901	Star Shaft, Bar Header, Cucumber Harvester	1		
19	FRM-3900	Header Frame, Bar Header, Cucumber Harvester	1		
20	MOU-3900	Mount, Bar Header, Cucumber Harvester	2		MOU-3900
21	MOU-3901	Lower Frame Mount, Bar Header, Cuc. Harvester	2		
22	ADJ-3902	Threaded Rod, Adjustment, Cucumber Harvester	2		
23	SID-3900	Side, Hugger Chain Drive Side, 3000 Cuc	1		
24	SID-3901	Side, Hugger Chain, 3000 Cuc.	1		
25	SFT-3902	Hugger Chain, Drive Shaft, Cucumber Harvester	1		
26	FR-10150	Finger Roller 10 Point x 1.50 Sq. Bore	40		
27	BC-7-8742-30P	Bar Header Pick Up Chain, 3000 Cuc.	1		
28	SPU-1684-20-4	Sprocket for Hugger Chain	3		
29	BC-7-81168-28	Hugger Chain for Bar Header	1		
100	BL-14-N-HOLE	Nut W/ Holes, Disk Header, HC290 Tomato	4		

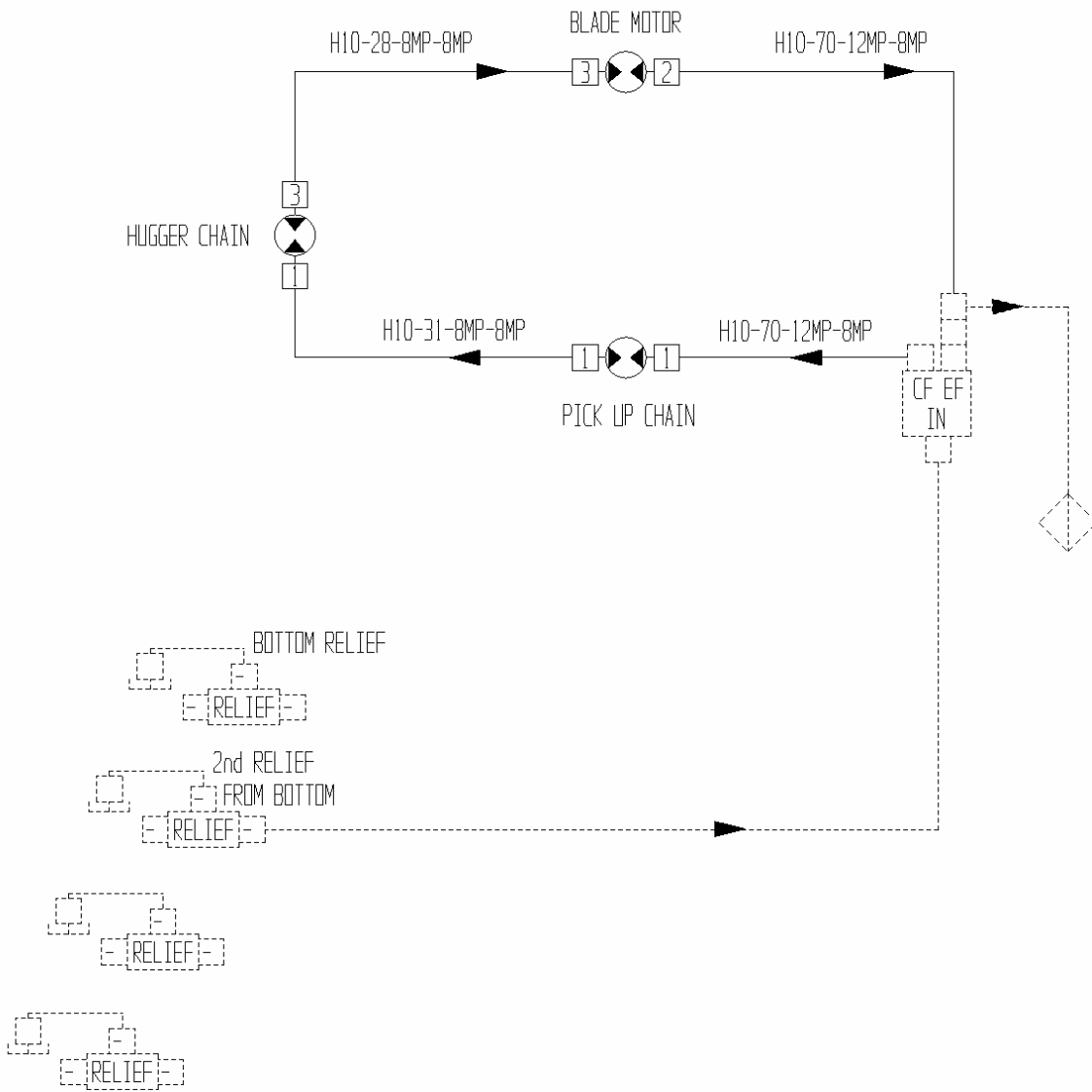
101	BL-4-FW	1/4 USS FW ZC	2
102	BL-4-LN	1/4-20 HEX LN NE ZC	2
103	BL-4-200-H	1/4-20 X 2 HEX CAP G5 ZC	



3006-2-14 Blade Header, Hydraulic Assembly

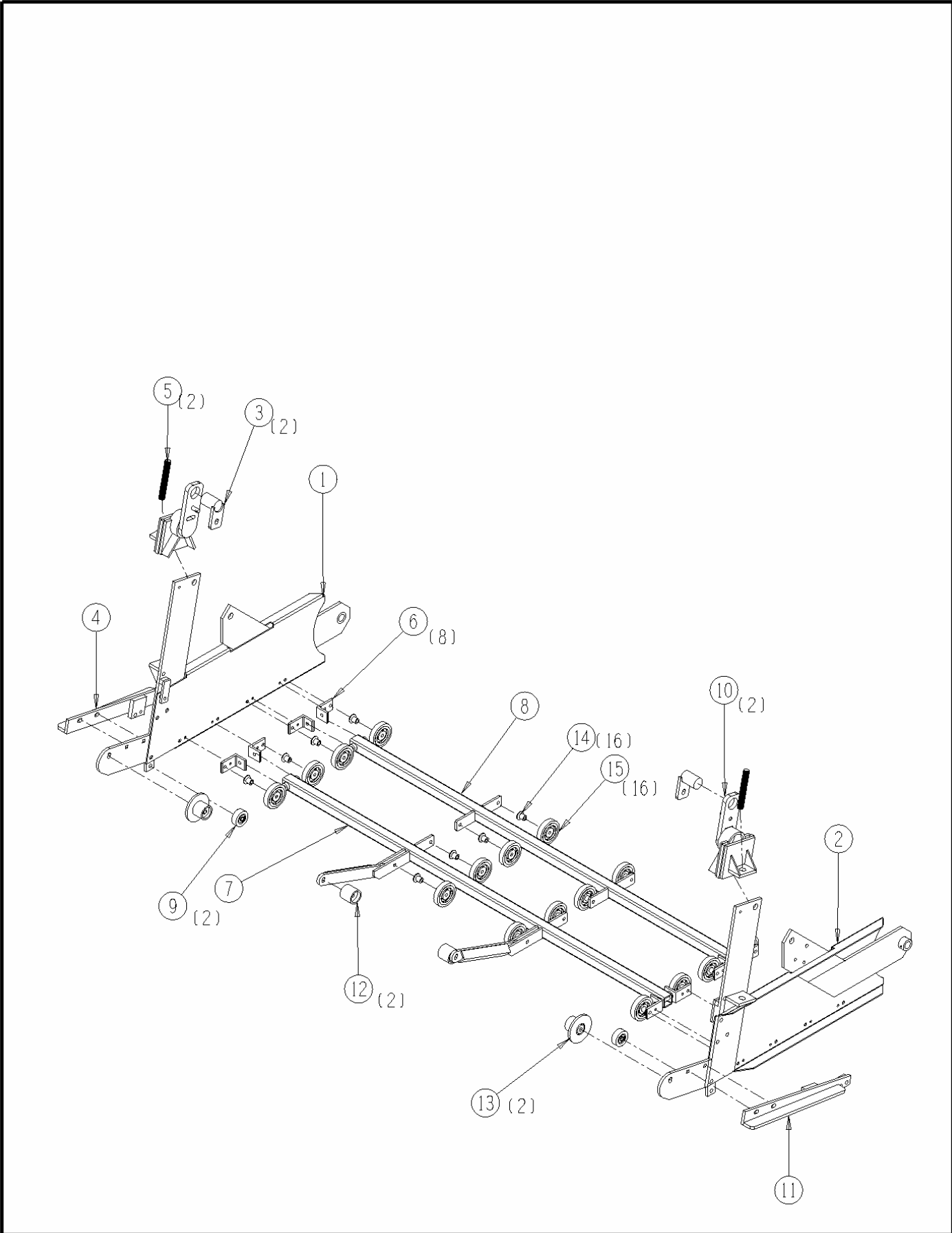
<u>Ref</u>	<u>Part No.</u>	<u>Description</u>	<u>Parts – Assembly</u>	<u>Will Fit SN</u>	<u>Remarks</u>
0	H10-28-8MP-8MP	5/8" hose 1/2MP x 1/2MP x 28" long	1		
0	H10-31-8MP-8MP	5/8 in hose 1/2MP x 1/2MP x 31 in long	1		
0	H10-70-12MP-8MP	5/8 in. Hose 3/4MP x 1/2MP x 70 in Long	2		
1	A-6900-10-8	10 SAE x 1/2 FPX	3		
2	A-6901-10-8	10 SAE x 1/2 FPX90 , Forged	1		
3	A-6902-10-8	10 SAE X 1/2" FPX 45			

3006-2-14



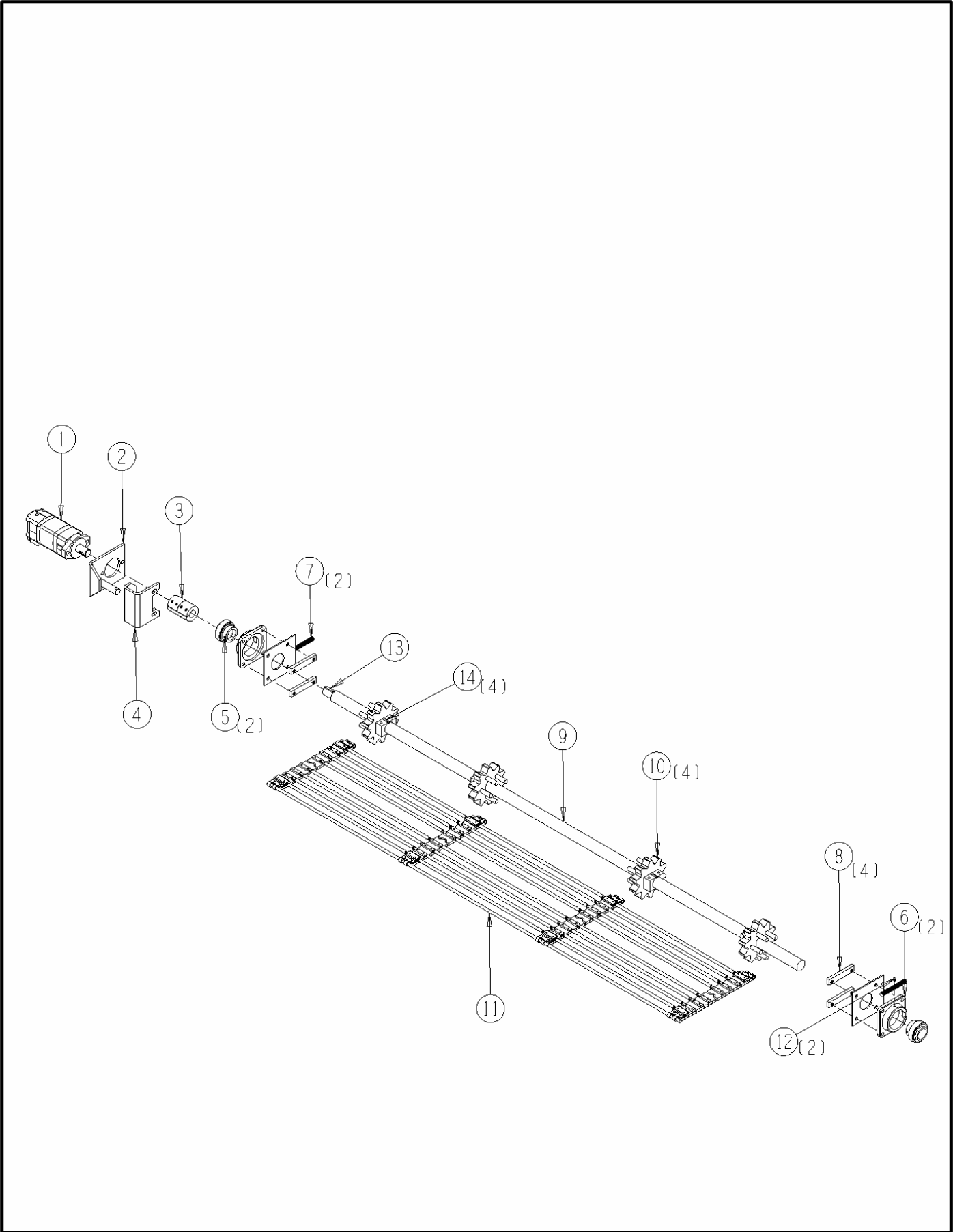
3006-3-2 Primary Header Conveyor

<u>Ref</u>	<u>Part No.</u>	<u>Description</u>	<u>Parts – Assembly</u>	<u>Will Fit SN</u>	<u>Remarks</u>
1	ADJ-3550	Adjuster, Quick Attach Header (Pickle)	2	30096001-	
2	MOU-3552	Mount, Adjuster, Primary Header Frame, Cuc	2		
3	PIN-3550	Pin, Quick Attach Header (Pickle)	2	30096001-	
4	BAR-3526	Bar, Stiffner, Flex-Head, Cucumber	1	30097001-	
5	FRM-3526	Frame, Inside, Primary Header	1	30097001-	Replaces FRM-3500
6	BRA-3525	Bracket, Mount Support, Flex. Head	8	30097001-	
7	SUP-3525	Support, Rollers, Flex. Head.	1		
8	MOU-3525	Mount, Rollers, Flex. Head.	1		
9	RLT-027-108	Roller 2.75" dia. 1/2" Bore	2		2755C1X (Old Number, Single Bearing)
10	FRM-3525	Frame, Outside, Primary Header	1	30097001-	Replaces FRM-3500
11	BAR-3525	Bar, Stiffner, Flex-Head, Cucumber	1	30097001-	
16	RLS-022-228	Steel Roller, 2.2" Dia, 2" wide, 1/2" Bore	2		
17	RLS-522-2010	Steel Roller, 5" Flange, 2.2" Dia, 2" wide	2		Sub RLU-522-2010
18	PIN-250L	1/4" Lynch Pin	4		
19	RLR-040-108	4" Flat Roller	16		Changed to Urethane in 2006
20	RLA-000-118	Standoff, 1/2" X 1 1/8"	18		
100	BL-16-JN	1 UNC FIN HEX JAM NUT A563 GrA ZINC	8		



3006-3-3 Primary Header Drive Assembly

<u>Ref</u>	<u>Part No.</u>	<u>Description</u>	<u>Parts – Assembly</u>	<u>Will Fit SN</u>	<u>Remarks</u>
1	HM-1228-TC	TCI Motor	1		Replaces HM-1228-CH, And HM-188R
2	MOU-1228	Mount, Motor, SAE A Two Bolt, Disk Header	1		
3	CPS-6057	Coupler, Solid, 1.25", Cucumber & Tomato	1		This Replaces CPS-6056.
4	STP-3501	Stop, Primary Header Motor	1	30096001-	
5	BR-175-085	Fafnir Bearing 1 3/4 Tri Seal	2		
6	BR-085-RCJ	RCJ Bearing Housing	2	11001	
7	ADJ-3536	Adjuster, Dirt Gap, Prim. & Sec. Header (Pickle)	2	30096001-	
8	BAR-3501	Bar, Tapped, Primary Header Drive (Pickle)	4	30096001-	
9	SFT-3500	Shaft, Primary Header (Pickle)	1	30095001-	Replaces SFT-3510
10	SPU-4210-28-6	42-10 Urethane Sprocket 1 3/4" bore 3/8" key	4		
11	BC-7-8742-79	Primary Header Chain, Cucumber	1	30095001-	
12	GF-1428	Grease Fitting 1/4" x 28 straight	2		
13	KEY-5-5-28	Keystock 5/16" x 5/16" x 1 3/4" Square Cut (1018)	1		
14	KEY-6-6-40	Keystock 3/8" x 3/8" x 2 1/2" Square Cut (1018)	4		
800	BC-7-87-CN	Connecting Rod, 11mm, For 87" Wide Chain, 60mm Traction Belts	1		
800	BC-F-42-32	F Connecting Clip 42-32 @ pair	4		



3006-3-7 Optional Hydraulic Adjustable Dirt Gap Assembly

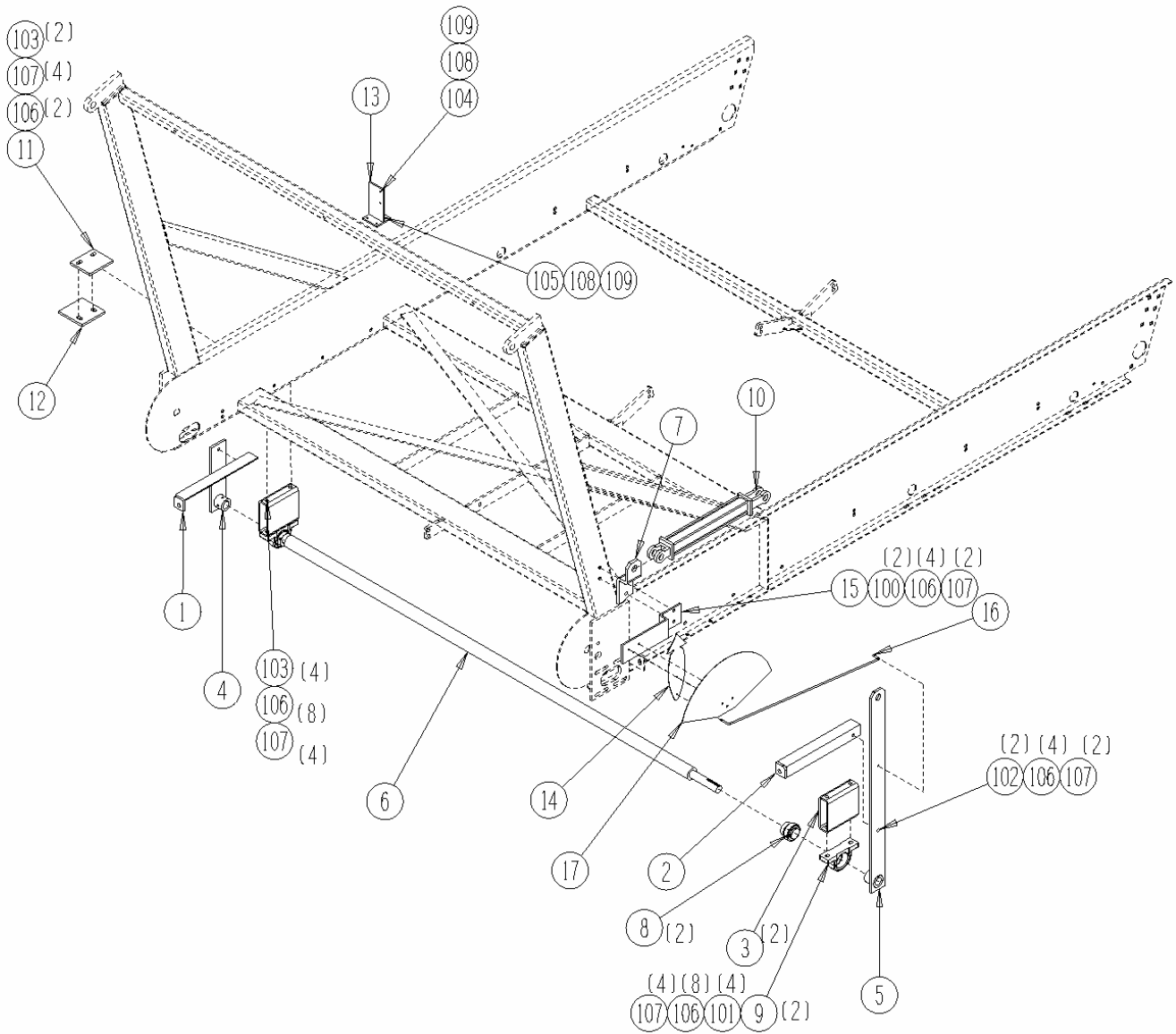
<u>Ref</u>	<u>Part No.</u>	<u>Description</u>	<u>Parts – Assembly</u>	<u>Will Fit SN</u>	<u>Remarks</u>
0	KIT-0014	3000 Hyd. Adj. Dirt Gap	1		

KIT-0014 3000 Hyd. Adj. Dirt Gap

<u>Ref</u>	<u>Part No.</u>	<u>Description</u>	<u>Parts – Assembly</u>	<u>Will Fit SN</u>	<u>Remarks</u>
0	KEY-4-4-32	Shaft Key 1/4" x 2" Square Cut (1018)	2		
1	ARM-3513	Adjuster Arm 3000 Dirt Gap Inner	1	KIT-0014	
2	ARM-3514	Adjuster Arm 3000 Pickle Outer	1	KIT-0014	
3	MOU-3513	3000 Dirt Gap (Spacer Block)	2	KIT-0014	
4	ARM-3512	3000 Dirt Gap Arm Inner	1	KIT-0014	
5	ARM-3511	3000 Dirt Gap Arm	1	KIT-0014	
6	SFT-3511	3000 Dirt Gap Hyd. Adj.	1	KIT-0014	
7	MOU-3512	3000 Dirt Gap Cyl. Mount	1	MOU-3512	
8	BR-125-072	Bearing, 1 1/4 Fafnir tri-seal, 72mm OD	2		
9	BR-072-RAK	Bearing Housing 72 mm	2		
10	HC-200-0808	Hydraulic Cylinder 2" x 8" #8 SAE Ports	1	19201- 20095001-	Same as sliding hitch
11	MOU-3515	Tab, Dirt Gap 300 CucumberHeader Support	1	KIT-0014	
12	FRM-3600-P	Bar	1	FRM-3600 FRM-3605	
13	MOU-3514	Dirt Gap 3000 Cuc. Valve Mount	1	KIT-0014	
14	STP-0016	Arrow, Dirt Cap, Cucumber Harvester	1		
15	BRA-0113	Bracket, Dirt Gap Gauge, Cucumber Harvester	1		
16	BAR-0107	Connecting Rod, Dirt Gap, Cucumber Harvester	1		
17	SHD-0111	Back Gauge Sheild, Dirt Gap, Cucumber Harvester	1		
18	WT-14	Wire Tie 14 1/4"	20		
19	GF-1428	Grease Fitting 1/4" x 28 straight	2		
20	WT-17H	Heavy Duty Wire Tie 17.5"	10		
100	BL-8-350-H	1/2-13 X 3 1/2 HEX CAP G5 ZC	2		
101	BL-8-175-H	1/2-13 X 1 3/4 HEX CAP G5 ZC	4		
102	BL-8-150-H	1/2 UNC X 1 1/2 HH C/S BOLT GR5 ZINC	2		
103	BL-8-125-H	1/2-13 X 1 1/4 HEX CAP G5 ZC	6		
104	BL-4-250-H	1/4-20 X 2 1/2 HEX CAP G5 ZC	2		
105	BL-4-100-H	1/4-20 X 1 HEX CAP G5 ZC	5		
106	BL-8-FW	1/2 USS FW ZC	30		

107	BL-8-LN	1/2-13 HEX LOCK NUT NYLON INSERT ZC	14	
108	BL-4-FW	1/4 USS FW ZC	11	
109	BL-4-LN	1/4-20 HEX LN NE ZC	5	
110	PIN-C2-16	Cotter Pin, 1/8" x 1"	2	
111	BL-5-032-SCF	5/16-24 x 5/16" Knurled Point Set Screw	4	
600	A-6901-8-6	8 SAE x 3/8" FPX90 , Forged	6	20095001-
601	A-6900-8-6	8 SAE x 3/8" FPX With 7/8" Stock Body	2	20095001-
602	H4-202-6MP-6MP	1/4 in hose 202 in 3/8 x 3/8 L header up	2	
603	H4-41-6MP-6MP	1/4" hose 3/8MP x 3/8MP x 41" long	2	20095001-
604	HV-1048	Directional Control Valve	2	

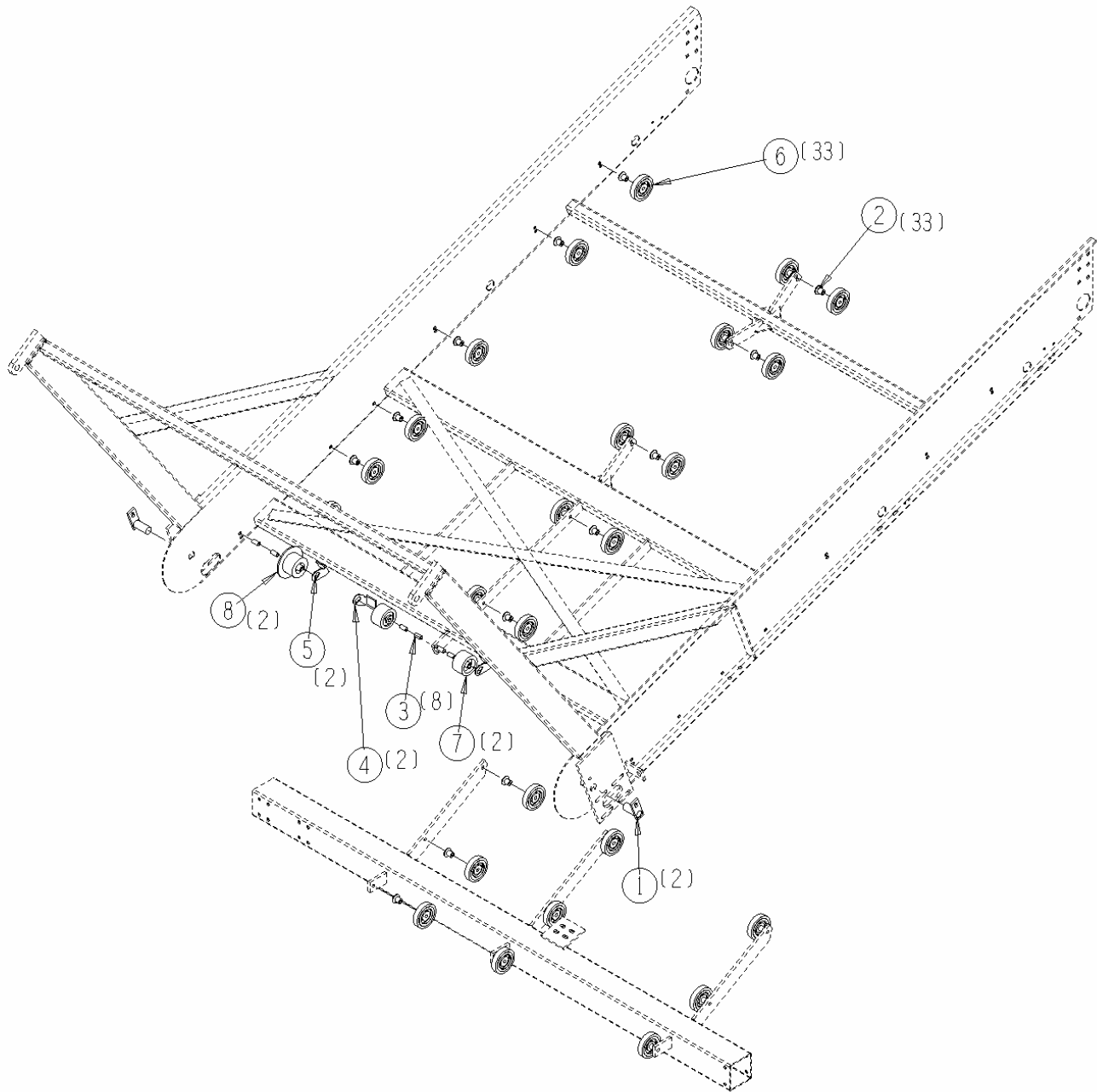
3006-3-7



3006-3-8 Secondary Header Assembly

<u>Ref</u>	<u>Part No.</u>	<u>Description</u>	<u>Parts – Assembly</u>	<u>Will Fit SN</u>	<u>Remarks</u>
1	PIN-3600	Pin, Secondary Header (Pickle)	2	30095001-	
2	RLA-000-118	Standoff, 1/2" X 1 1/8"	33		
3	RLA-006-128	Bushing, 1/2" x 5/8" x 1.25	8		
4	RLA-3023-T	Straight Scraper, RH	2		
5	RLA-3024-T	Straight Scraper	2		
6	RLr-040-108	4" Flat Roller	33		Changed to Urethane in 2006
7	RLT-035-2210-SC	Roller 3.5 dia x 2.2 x 1/2" bore, no flange w/Hub for Scraper	2		
8	RLT-535-2210-SC	5" Flange Roller 2.2 WF 3.5 dia, 5/8" bore w/ Hub for Scraper	2		

3006-3-8

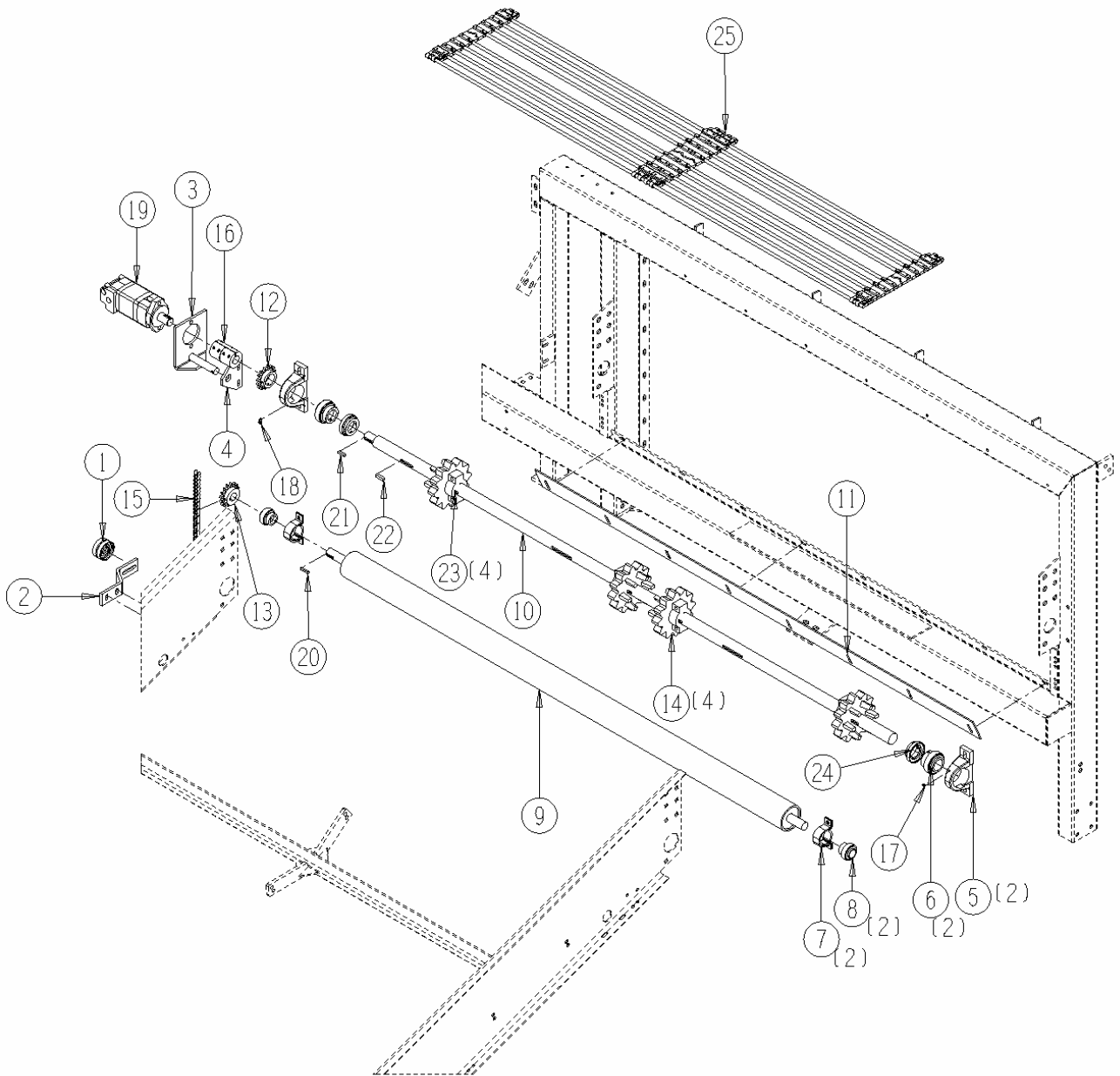


3006-3-9 Secondary Header Drive Assembly

<u>Ref</u>	<u>Part No.</u>	<u>Description</u>	<u>Parts – Assembly</u>	<u>Will Fit SN</u>	<u>Remarks</u>
1	SP-FLT-T	Flat Roller Chain Idler	1	11001	
2	ADJ-3600	Adjuster, Secondary Header Drive (Pickle)	1	30095001-	
3	MOU-1228	Mount, Motor, SAE A Two Bolt, Disk Header	1		
4	194-109A	Disk Motor Stop	1		Available as update kit
5	BR-085-RAK	Bearing Housing 85 mm	2		
6	BR-175-085	Fafnir Bearing 1 3/4 Tri Seal	2		
7	BR-062-MPB	Stamped Bearing Housing for 1 1/4" bearing	2		
8	BR-125-062	Bearing, 1 1/4 Fafnir tri-seal, 62mm OD	2		
9	RLP-3610	Roller, Feeder & Sizing (Pickle)	1	30095001-	
10	SFT-3610	Shaft, Secondary Header Drive (Pickle)	1	30095001-	
11	SCR-3610	Scraper, Secondary Header Return (Pickle)	1	30096001-	Replaces SCR-3600
12	SP-50B16-28-6	Sprocket, #50, 16 tooth, 1.75" bore	1	11001	
13	SP-50B16-20-4	Sprocket, #50, 16 tooth, 1.25" bore	1		
14	SPU-4212-28-6	Urethane Sprocket 42mm x 12 tooth, 1 3/4" x 3/8 key	4		
15	CH-50-41	Roller Chain 41 pitches #50 w/master link	1		
16	CPS-6057	Coupler, Solid, 1.25", Cucumber & Tomato	1		This Replaces CPS-6056.
17	GF-1428	Grease Fitting 1/4" x 28 straight	1		
18	GF-1428-90	Grease Fitting 1/4" x 28 90	1		
19	HM-1228-TC	TCI Motor	1		Replaces HM-1228-CH, And HM-188R
20	KEY-4-4-24	Shaft Key 1/4" x 1 1/2" Square Cut (1018)	1		
21	KEY-5-5-20	Shaft Key 5/16" sq x 1 1/4" Square Cut (1018)	1		
22	KEY-6-6-24	Keystock 3/8" x 3/8" x 1 1/2" Square Cut (1018)	1		
23	KEY-6-6-40	Keystock 3/8" x 3/8" x 2 1/2" Square Cut (1018)	4		
24	BR-175-LC	1 3/4" Locking Collar - Bearing Protector	2		
25	BC-7-8742-142 CF	Secondary Header Chain (Center Flex)	1		3 belt chain vs. previous used 4 belt chain.
101	BL-6-150-C	3/8 UNC X 1 1/2 CARRIAGE BOLT GR5 ZINC	4		
102	BL-6-125-H	3/8-16 X 1 1/4 HHCS G5 ZC	6		
103	BL-6-125-C	3/8 UNC X 1 1/4 CARRIAGE BOLT GR5 ZINC	2		
104	BL-6-FW	3/8 USS FW ZC	4		
105	BL-6-LN	3/8 UNC FIN HEX LOCK NUT NE A563 GrA ZINC	6		
106	BL-6-LW	3/8 SPLIT LW ZC	6		
107	BL-6-N	3/8-16 HEX NUTS ZC	2		

108	BL-6-SW	3/8 SAE FW ZC	12
109	BL-8-250-C	1/2 UNC X 2 1/2 CARRIAGE BOLT GR5 ZINC	1
110	BL-8-700-H	1/2 UNC X 7 HH C/S BOLT GR5 ZINC	4
111	BL-8-LN	1/2-13 HEX LOCK NUT NYLON INSERT ZC	4
112	BL-8-LW	1/2 SPLIT LW ZC	1
113	BL-8-N	1/2-13 HEX FIN NUTS ZC	1
114	BL-8-SW	1/2 SAE FW ZC	10
800	BC-1032-FS	10-32 x 1 1/4" bolts Flat Socket Head	32
800	BC-1032-LN	10-32 lock nuts	32
800	BC-7-87-CN	Connecting Rod, 11mm, For 87" Wide Chain, 60mm Traction Belts	1
800	BC-F-42-32	F Connecting Clip 42-32 @ pair	4

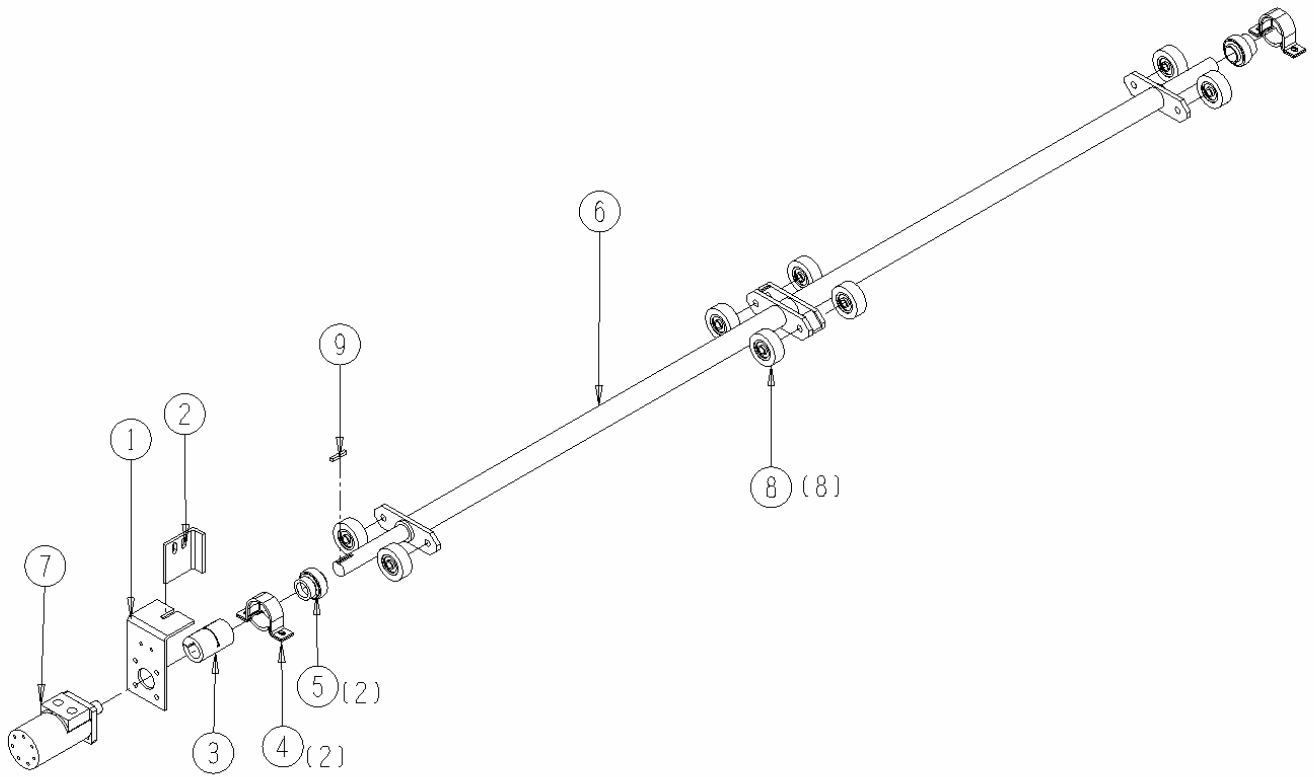
3006-3-9



3006-3-10 Header Vibrator Shaft Assembly

<u>Ref</u>	<u>Part No.</u>	<u>Description</u>	<u>Parts – Assembly</u>	<u>Will Fit SN</u>	<u>Remarks</u>
1	193-806	Mount motor	1		
2	193-806A	Motor mount stop	1		
3	CPS-6060	Steel Coupler (offcenter) 1 1/4" x 1"	1		
4	BR-062-MPB-R	Bearing Housing, Reinforced	2	19101-	
5	BR-125-062	Bearing, 1 1/4 Fafnir tri-seal, 62mm OD	2		
6	SFT-3602	Shaft, Dirt Vibrator, Sec. Header Frm, Cuc	1		
7	HM-208-TC	TCI Motor	1		
8	RLT-027-108	Roller 2.75" dia. 1/2" Bore	8		2755C1X (Old Number, Single Bearing)
9	KEY-4-4-24	Shaft Key 1/4" x 1 1/2" Square Cut (1018)	1		
100	BL-6-100-C	3/8 UNC X 1 CARRIAGE BOLT GR5 ZINC	2		
101	BL-6-100-H	3/8 UNC X 1 HH C/S BOLT GR5 ZINC	4		
102	BL-6-125-H	3/8-16 X 1 1/4 HHCS G5 ZC	4		
103	BL-6-LN	3/8 UNC FIN HEX LOCK NUT NE A563 GrA ZINC	4		
104	BL-6-LW	3/8 SPLIT LW ZC	6		
105	BL-6-N	3/8-16 HEX NUTS ZC	2		
106	BL-6-SW	3/8 SAE FW ZC	10		
107	BL-8-325-H	1/2 UNC X 3 1/4 HH C/S BOLT GR5 ZINC	8		
108	BL-8-LN	1/2-13 HEX LOCK NUT NYLON INSERT ZC	8		
109	BL-8-SW	1/2 SAE FW ZC	16		

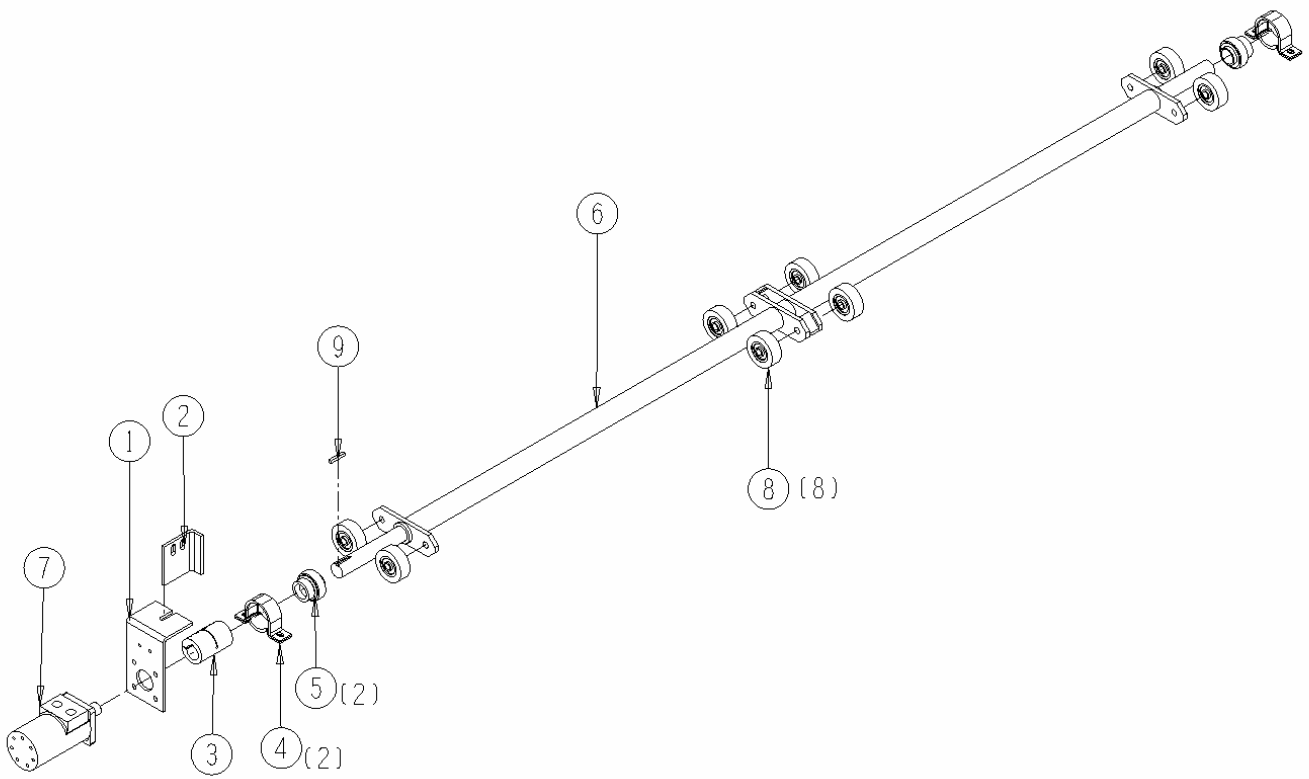
3006-3-10



3006-3-11 Optional Second Header Dirt Vibrator Assembly

<u>Ref</u>	<u>Part No.</u>	<u>Description</u>	<u>Parts – Assembly</u>	<u>Will Fit SN</u>	<u>Remarks</u>
1	193-806	Mount motor	1		
2	193-806A	Motor mount stop	1		
3	CPS-6060	Steel Coupler (offcenter) 1 1/4" x 1"	1		
4	BR-062-MPB-R	Bearing Housing, Reinforced	2	19101-	
5	BR-125-062	Bearing, 1 1/4 Fafnir tri-seal, 62mm OD	2		
6	SFT-3602	Shaft, Dirt Vibrator, Sec. Header Frm, Cuc	1		
7	HM-208-TC	TCI Motor	1		
8	RLT-027-108	Roller 2.75" dia. 1/2" Bore	8		2755C1X (Old Number, Single Bearing)
9	KEY-4-4-24	Shaft Key 1/4" x 1 1/2" Square Cut (1018)	1		
600	A-1603-8-8-8	Swivel T 1/2" NPTF	2		
601	A-6401-10-8	10 SAE x 1/2 MPT Male	2		
602	A-6900-10-8	10 SAE x 1/2 FPX	2		
603	A-6901-10-8	10 SAE x 1/2 FPX90 , Forged	2		
604	H10-120-8MP-8MP	5/8 in hose 1/2MP x 1/2MP x 120 in long	2		
605	H10-30-8MP-8MP	5/8 in hose 1/2MP x 1/2MP x 30 in long	2		
606	HV-FL30	Flow Control Valve 30GPM	1		

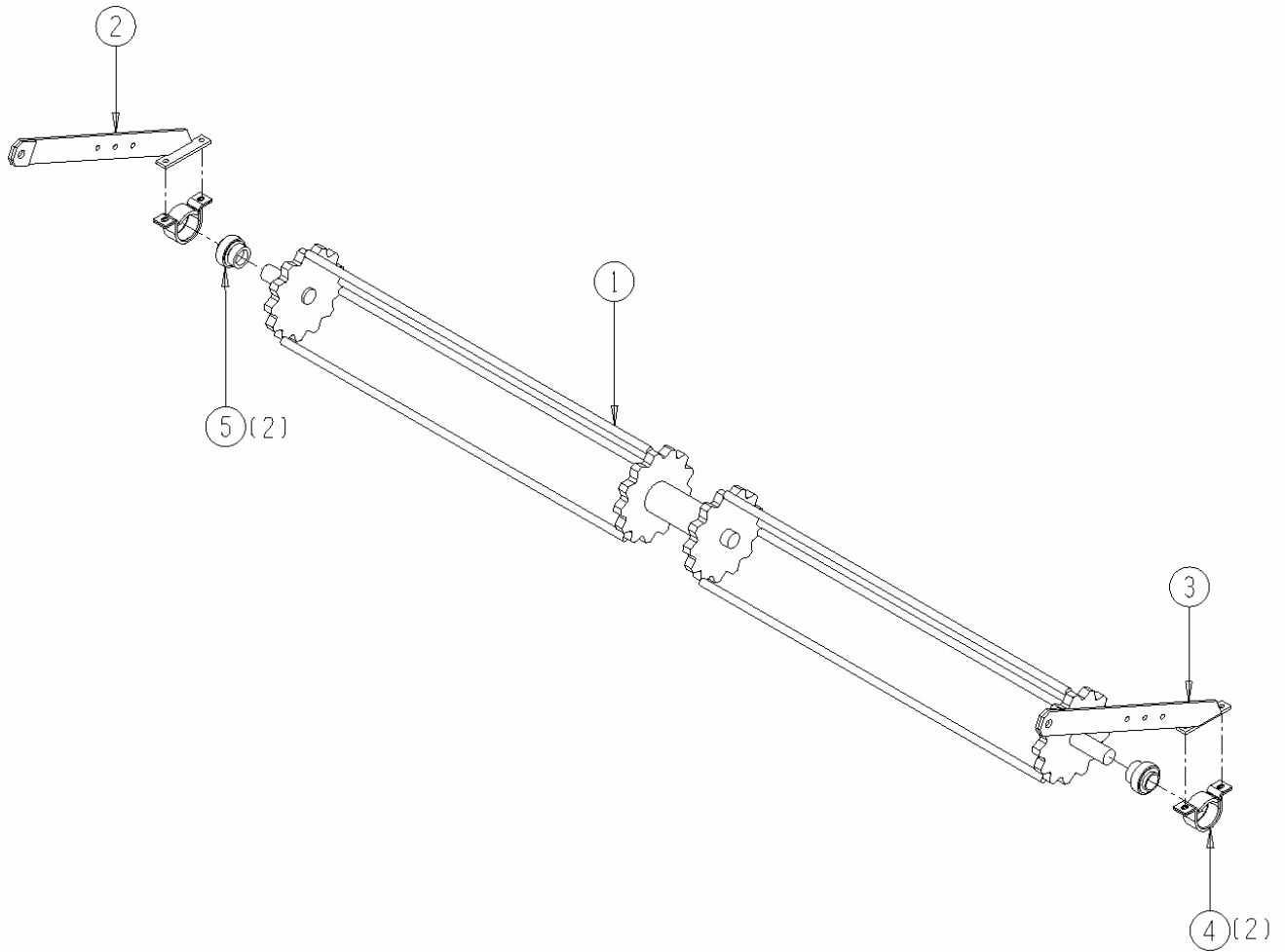
3006-3-11



3006-3-12 Optional Header Chain Bar Cleaner Assembly

<u>Ref</u>	<u>Part No.</u>	<u>Description</u>	<u>Parts – Assembly</u>	<u>Will Fit SN</u>	<u>Remarks</u>
1	BAR-BC4287-2	Bar, Cleaner, 87" Belted Chain w/Center Flex	1		
2	192-362A	Chain cleaner bar (Left)	1	19101-	
3	192-362B	Chain cleaner bar (Right)	1	19101	
4	BR-062-MPB	Stamped Bearing Housing for 1 1/4" bearing	2		
5	BR-125-062	Bearing, 1 1/4 Fafnir tri-seal, 62mm OD	2		

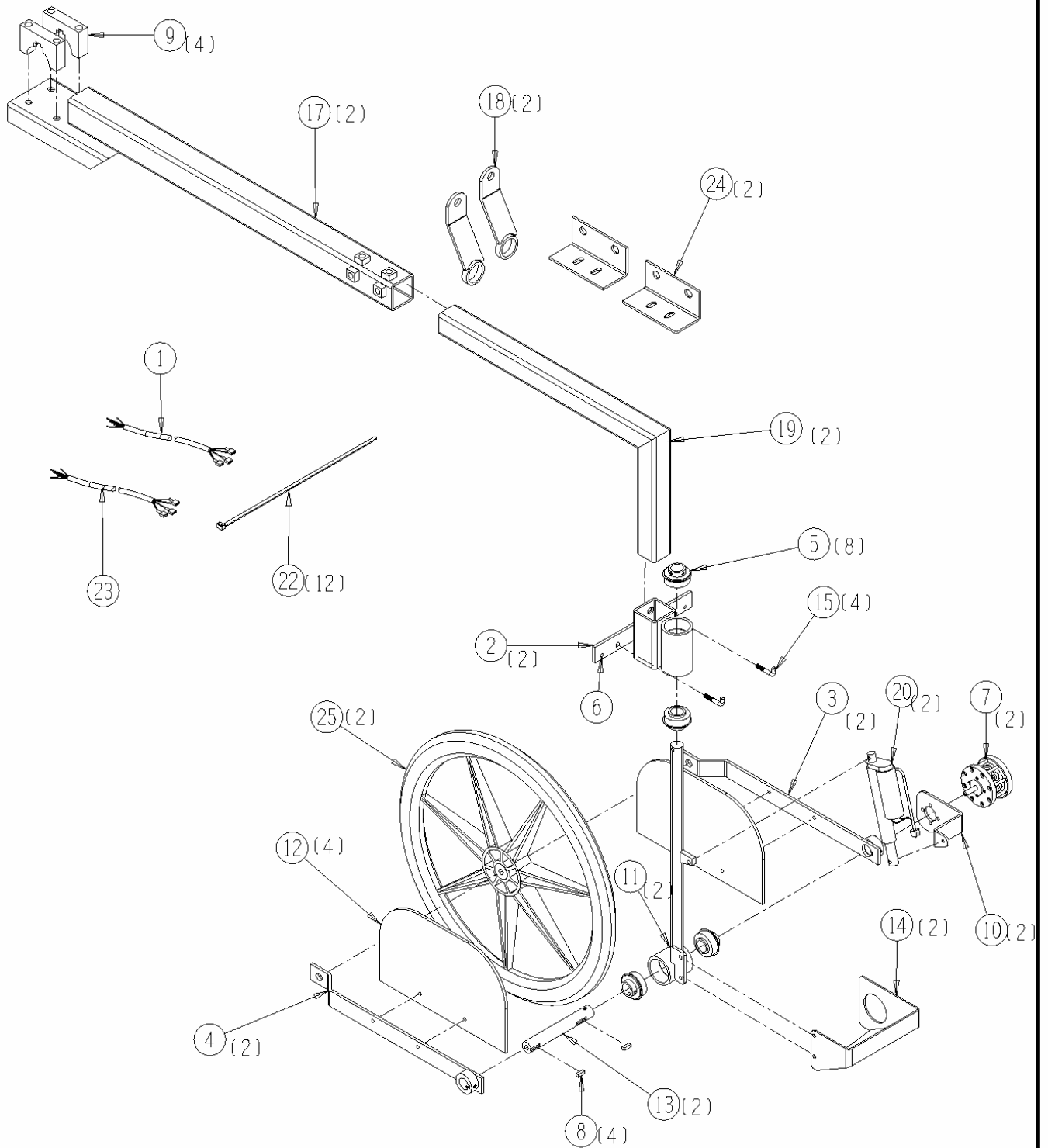
3006-3-12



3006-3-15 Auto Header Height Control, Pickle

<u>Ref</u>	<u>Part No.</u>	<u>Description</u>	<u>Parts – Assembly</u>	<u>Will Fit SN</u>	<u>Remarks</u>
1	ELC-042-28	Actuator Cable Only 28'	1		
2	ADJ-HC99	Adjuster, Wheel Control Height Adj, HHC	2		
3	ARM-HC99L	Arm, Left, Control Wheel, HHC	2		
4	ARM-HC99R	Arm, Right, Control Wheel, HHC	2		
5	BR-100-ER	Bearing, 1" ER	8		
6	CH-3-28	3/16 LINK CHAIN 28 LINKS	4		
7	HVR-5479	Rotary Valve, Microtorque w/ high pressure ends	2		
8	KEY-4-4-12	SHAFT KEY 1/4"x3/4" SQUARE CUT (1018)	4		
9	MOU-103	Mount, Wheel Arm Bar Support, HHC, Cuc & Tom	4		
10	ARM-HC03	Arm, Rotary Valve. HHC, 2003	2		
11	MOU-HC03	Mount, Trailing Wheel Arms, HHC, 2003	2		
12	PL-HC99	Plastic, Chain Guard Wheel Arm, HHC	4		
13	SFT-HC99	Shaft, Wheel Arm Mounts, HHC	2		
14	SHD-HC03	Shield, Rotary Valve, HHC, 2003	2		
15	SUP-8100	Support, Wheel Hold Up, Header Height, HC290	4		
16	ELC-0009	Actuator Cord, Control Box-#1 Junction Box	0		
17	BAR-9024	Bracket, Header Height Control	2	KIT-0048	
18	BRA-8000	Bracket, Flow Divider, Panel, HC290	2		
19	BRA-3530	Bracket, Wheel Mount, Header Height (Pickle)	2	30096001-	
20	ACT-042-2	Actuator, Wired for Any Length Harness, Fits All	2		
21	EL-0008	Actuator Control Box, Double	1		
22	WT-17H	Heavy Duty Wire Tie 17.5"	12		
23	ELC-042-19	Actuator Cable Only 19'	1		
24	SUP-8000	Support, Flow Divider, Hydra. Panel, HC290	2		
25	WHL-200	Spoked Wheel for AHHC, includes 5/8 bore bearings	2		
102	BL-16-400-H	1" x 4" Gr 5 HH Bolt Zinc Coated	4		
103	BL-16-LN	1" Lock Nuts w/ Nylon Inserts	4		

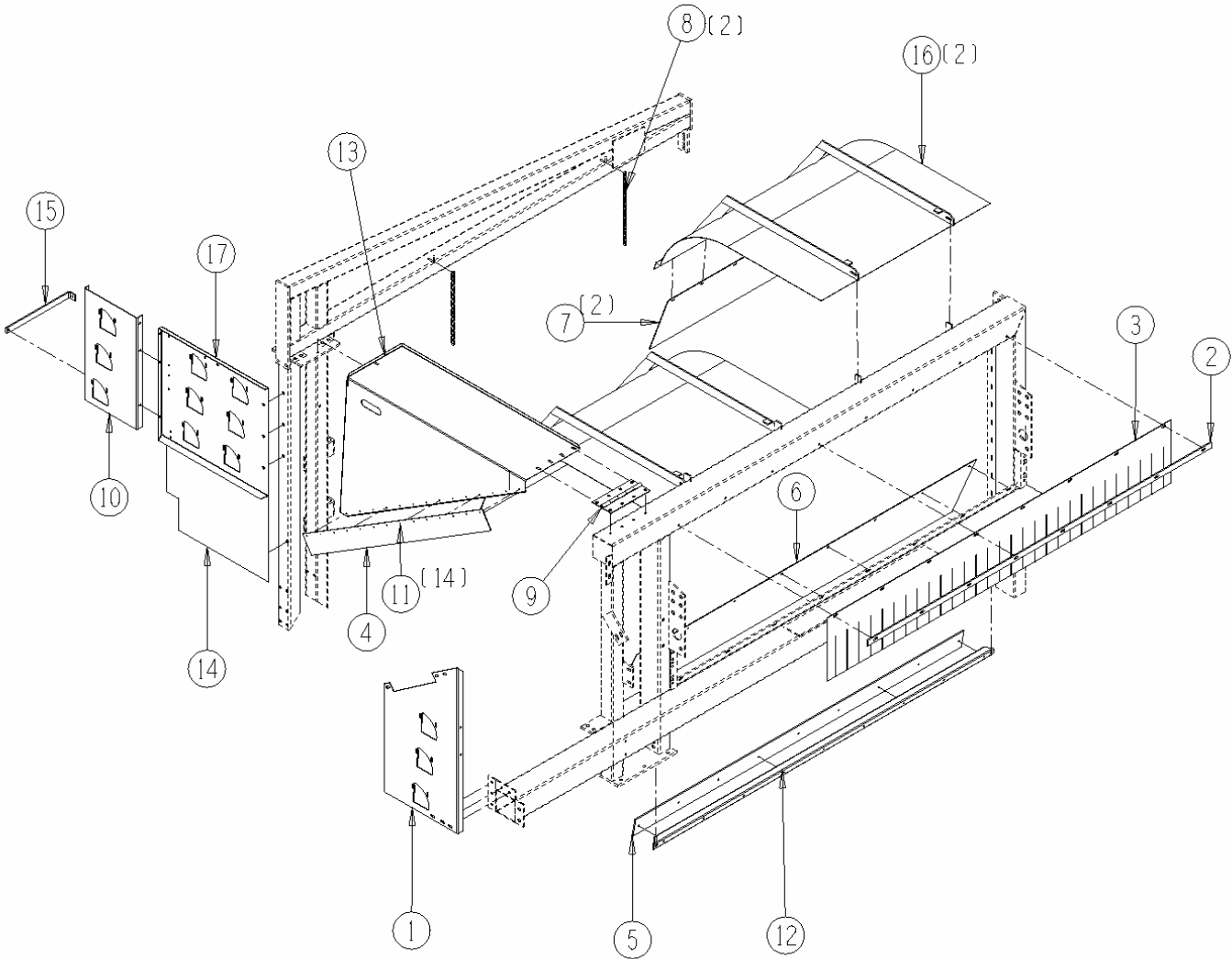
3006-3-15



3006-4-1 Shaker Shield & Cover Assembly

<u>Ref</u>	<u>Part No.</u>	<u>Description</u>	<u>Parts – Assembly</u>	<u>Will Fit SN</u>	<u>Remarks</u>
1	PAN-3016	Panel, Flow Control, Elevation (Pickle)	1	30096001-	Replaces PAN-3015
2	BAR-3300	Belting Bar, Shaker Entrance Flap (Pickle)	1	30095001-	
3	bt-3300	Belting, Shaker Guard (Pickle)	1	30095001-	
4	bt3300a	Belting, Box Shield, Shaker (Pickle)	1	30096001-	
5	BT-3320	Belting, Scraper, Transfer Chain (Pickle)	1	30095001-	
6	BT-3400	Belting, Vine Chain (Pickle)	1	30095001-	
7	BT-3410	Belting, Shaker Cover (Pickle)	2	30095001-	
8	191-313	Chain, Shaker Cover, Panel Stiffener	2	19101- 30095001-	
9	HG-3300	Hinge, Shaker Shield (Pickle)	1	30096001-	
10	PAN-3022	Panel, Flow Control, Fan & Shaker Weights, Cuc	1	30098001-	
11	RI-3-6-P	Pop Rivets 3/16 x 3/8 Domed, .375 head, ea.	14		
12	SCR-3320	Scraper, Transfer Chain (Pickle)	1	30095001-	
13	SHD-3300	Shield, Shaker (Pickle)	1	Pickle	
14	SHD-3305	Shield, Shaker, Above Lower Elevation	1	30098001-	
15	sup-3021	Support, Flow Control Panel, Inner Shaker Panel (Pickle)	1	30096001-	
16	COV-3410	Cover, Shaker (Pickle)	2	30095001-	
17	PAN-3021	Panel, Flow Control, Frame Post (Pickle)	1	30096001-	Replaces PAN-3020

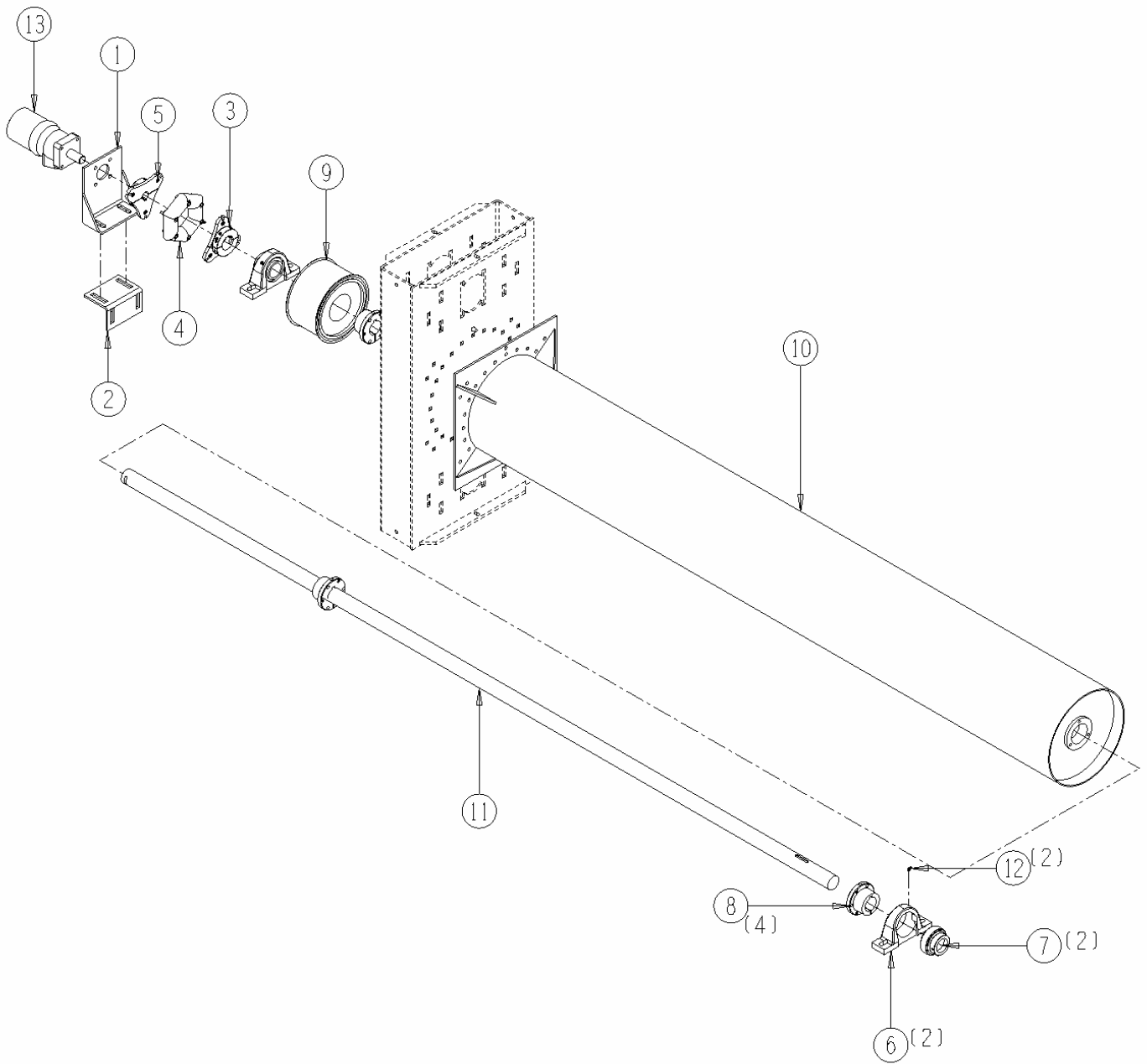
3006-4-1



3006-4-3 Shaker Drum Assembly

<u>Ref</u>	<u>Part No.</u>	<u>Description</u>	<u>Parts – Assembly</u>	<u>Will Fit SN</u>	<u>Remarks</u>
1	194-416	Mount, Shaker Rotation Motor	1	19101	For use with 194-416a
2	194-416A	Mount, Shaker Rotation Motor	1	19101-	For use with 194-416
3	CPR-422C-18	Coupler, Shaker Side, Weldment	1	30095001-	
4	CPR-422-18	Lovejoy Donut W/ Hardware	1		
5	CPR-422D-18	Coupler, Shaker, Motor Side, 1" Shaft	1	30095001-	
6	BR-085-RAK	Bearing Housing 85 mm	2		
7	BR-175-085	Fafnir Bearing 1 3/4 Tri Seal	2		
8	PU-SK-28	Bushing, SK x 1 3/4"	3	19101	
9	PU-80-8M-114-BO	Pulley, Center 4-1/2" Wide, Bored, HTD tooth config	1	All Primary Shakers	Can replace with PU-80-8M-114
10	SHA-3404	Shaker, Tube (Pickle)	1	30096001-	
11	SFT-3400	Shaft, Shaker (Pickle)	1	30095001-	
12	GF-1428	Grease Fitting 1/4" x 28 straight	2		
13	HM-103-TC	TCI Motor	1		
100	BL-8-SW	1/2 SAE FW ZC	12		
101	BL-5-125-SCF	5/16 - 24 x 1 1/4", Socket Head Cap Screw	4		
102	BL-5-250-SCF	5/16-24 X 2 1/2" Socket Head Cap Screw	4		
103	BL-6-100-C	3/8 UNC X 1 CARRIAGE BOLT GR5 ZINC	32		
104	BL-6-100-H	3/8 UNC X 1 HH C/S BOLT GR5 ZINC	4		
105	BL-6-LW	3/8 SPLIT LW ZC	4		
106	BL-8-050-SC	1/2-13 x 1/2" Knurled Point Set Screw	1		
107	BL-8-150-C	1/2 UNC X 1 1/2 CARRIAGE BOLT GR5 ZINC	4		
108	BL-8-250-H	1/2-13 X 2 1/2 HEX CAP G5 ZC	4		
109	BL-8-300-8	1/2 -13 x 3 HH C/S GR8 ZC	6		
110	BL-8-LN	1/2-13 HEX LOCK NUT NYLON INSERT ZC	36		
111	BL-8-N	1/2-13 HEX FIN NUTS ZC	10		
112	BR-175-ER	Bearings, 1 3/4" ER	2	11001	
113	BL-8-LW	1/2 SPLIT LW ZC	10		

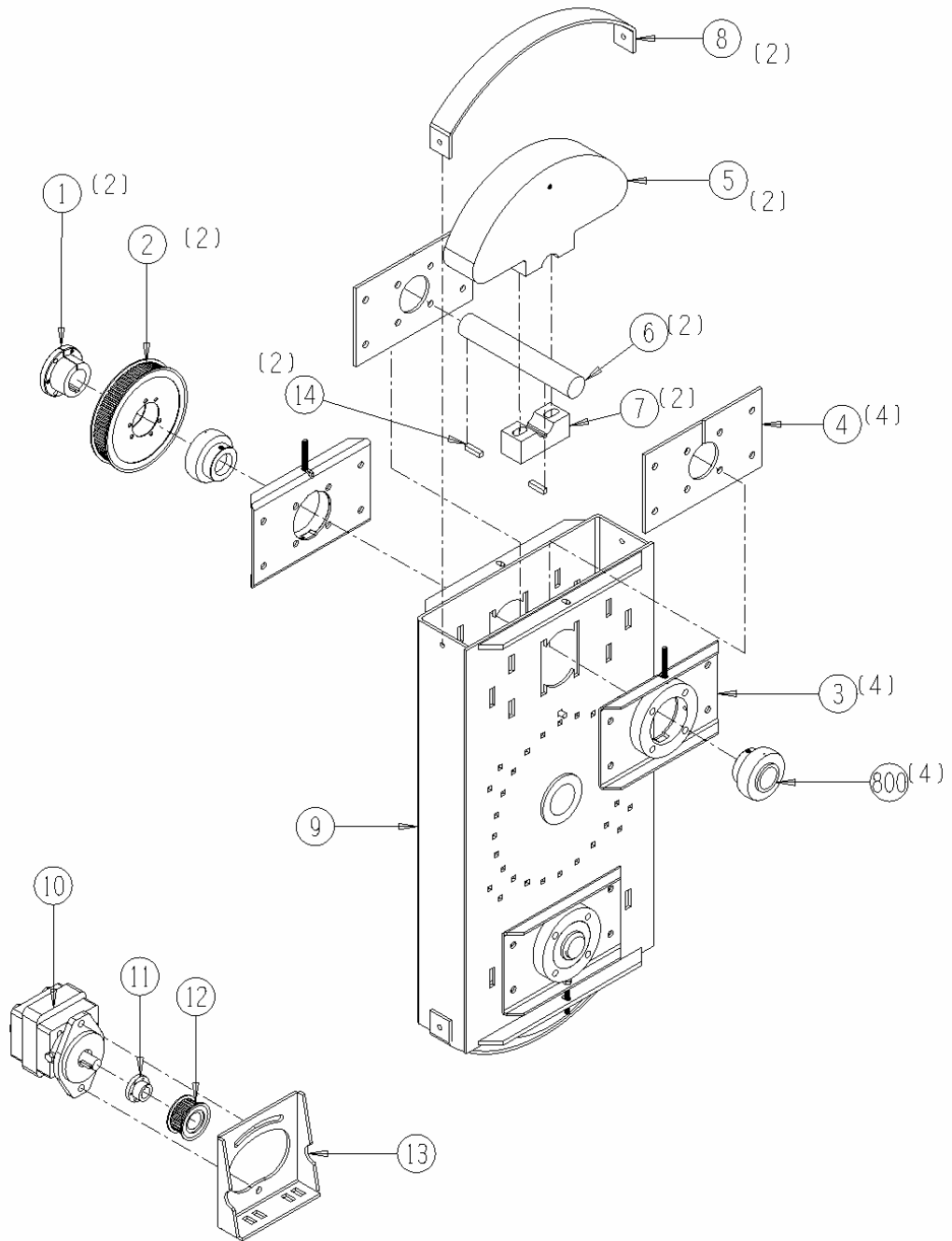
3006-4-3



3006-4-4 Shaker Box & Weight Assembly

<u>Ref</u>	<u>Part No.</u>	<u>Description</u>	<u>Parts – Assembly</u>	<u>Will Fit SN</u>	<u>Remarks</u>
1	PU-SK-28	Bushing, SK x 1 3/4"	2	19101	
2	PU-80-8M-30-SK	Primary Weight Pulley HTD	2	1910119115	
3	BR-100-SUP	Bearing Holder Wldmt, Primary Shaker	4		
4	MOU-098	Backing Plate, Shaker	4		Replaces MOU-097
5	WGT-402	Weight, Primary Shaker	2		
6	SFT-097	Weight Shaft	2		
7	WGT-402C	Cap, Primary & Secondary Shaker Weight	2		
8	193-403	Shaker, Weight guards	2		
9	SHA-8402	Shaker Weight Box	1		Replaces SHA-3402.
10	HM-712C	Hydraulic Motor	1	19101	
11	PU-JA-14	JA Bushing, 7/8 bore, 1/4 keyway	1		
12	PU-26-8M-30-JA	HTD Sprocket 8mm pitch, 26 Tooth, 30mm wide JA Bushing	1		
13	MOU-0022	Mount, Weight Motor, Shakers, Harvesters	1		Replaces 110-515
14	KEY-6-6-24	Keystock 3/8" x 3/8" x 1 1/2" Square Cut (1018)	2		
100	BL-8-LNS	1/2 Stover Lock Nut	32		
101	BL-5-200-H	5/16-18 X 2 HEX CAP G5 ZC	6		
102	BL-6-100-H	3/8 UNC X 1 HH C/S BOLT GR5 ZINC	4		
103	BL-10-375-8	5/8-11 X 3 3/4 HEX CAP G8 ZC	4		
104	BL-10-FW-8	5/8" Grade 8 Flat Washer	4		
105	BL-10-LW	5/8 SPLIT LW ZC	4		
106	BL-6-JN	3/8 UNC FIN HEX JAM NUT A563 GrA ZINC	8		
107	BL-6-LN	3/8 UNC FIN HEX LOCK NUT NE A563 GrA ZINC	36		
108	BL-6-N	3/8-16 HEX NUTS ZC	4		
109	BL-6-SW-8	3/8 SAE FW G8 ,Yellow Zinc, Thru Hardened	16		
110	BL-8-050-SC	1/2-13 x 1/2" Knurled Point Set Screw	2		
111	BL-8-125-C	1/2 UNC X 1 1/4 CARRIAGE BOLT GR5 ZINC	16		
112	BL-8-225-C	1/2 UNC X 2 1/4 CARRIAGE BOLT GR5 ZINC	8		
113	BL-8-FW-8	1/2 FLAT WASHER G8 ZC	48		
114	BT-1280-8M-30	Primary Weight Drive Belt	3	19101	Can not replace with BT-390H100 belts unless all the pulleys are changed.
115	BL-8-225-H	1/2-13 X 2 1/4 HEX CAP G5 ZC	8		
116	PU-JA-14B	Bolt for PU-JA-14 (3 @ pkg)	1		
800	BR-175-100	Heavy Duty I 3/4" Bearing	0		

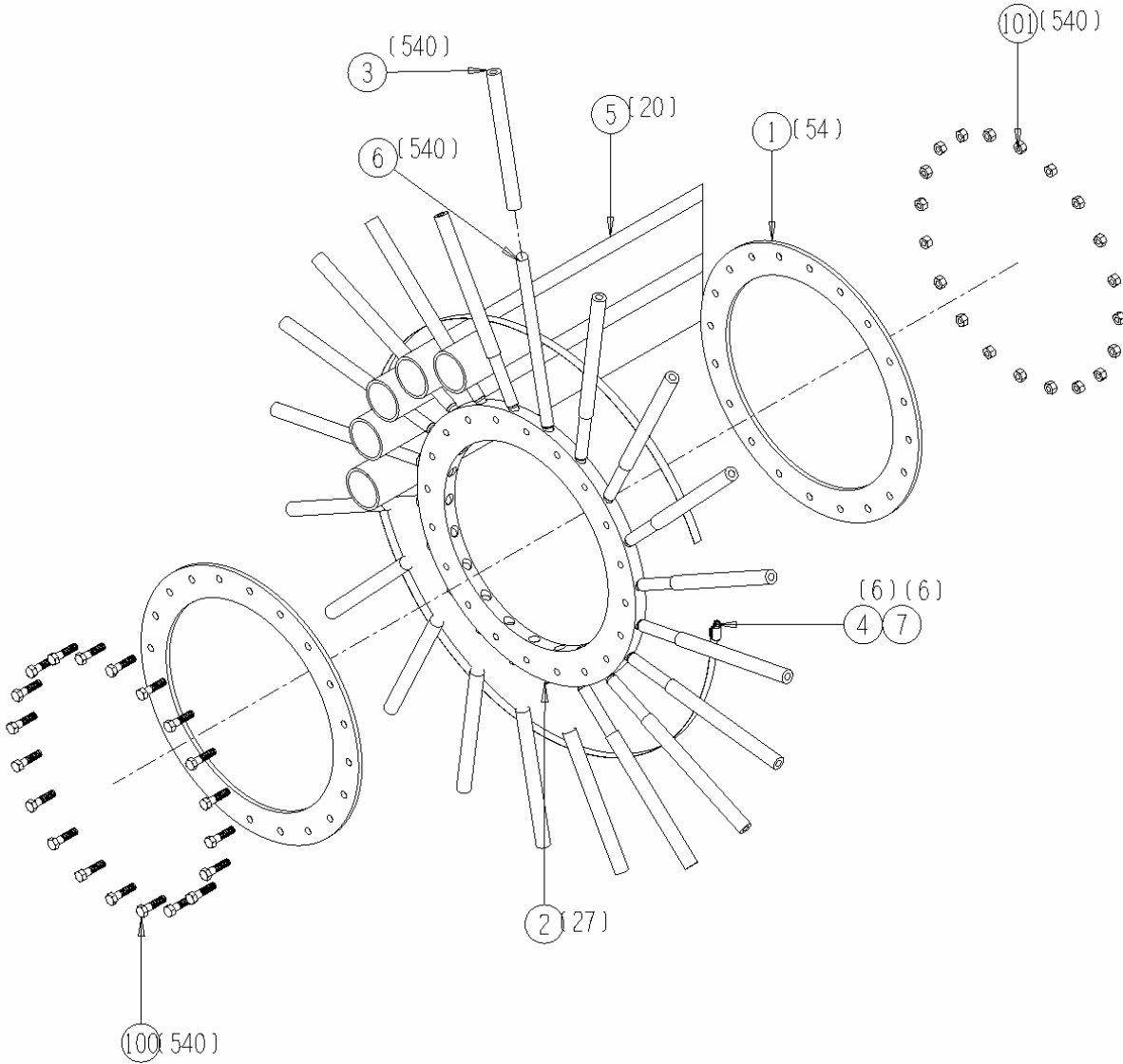
3006-4-4



3006-4-5 Shaker Ring & Finger Assembly

<u>Ref</u>	<u>Part No.</u>	<u>Description</u>	<u>Parts – Assembly</u>	<u>Will Fit SN</u>	<u>Remarks</u>
1	191-432	Tine Holder Flanges	54	11001- 30095001-	
2	192-431	Moulded Rubber Tine Holders	27	19101- 30095001-	
3	BC-6000-8	Shaker Finger Protectors, 3/8" ID x 3/4" OD x 8"	540		
4	CL-001	Clamp, 71.5" Long, For 21.5" Dia, SS Gear Clamp	6		100 Pc. Minimum From Mfg.
5	PL-32-87	2" PVC 87" long	20		
6	ST-430-P	Shaker Tines , Molded Urethane	540		
7	PL-7504	5/8" ID x 3/4" OD Clear PVC Hose @ Foot	6		
100	BL-6-150-SS	3/8-16 X 1 1/2 HEX CAP SS	540		
101	BL-6-LN	3/8 UNC FIN HEX LOCK NUT NE A563 GrA ZINC	540		

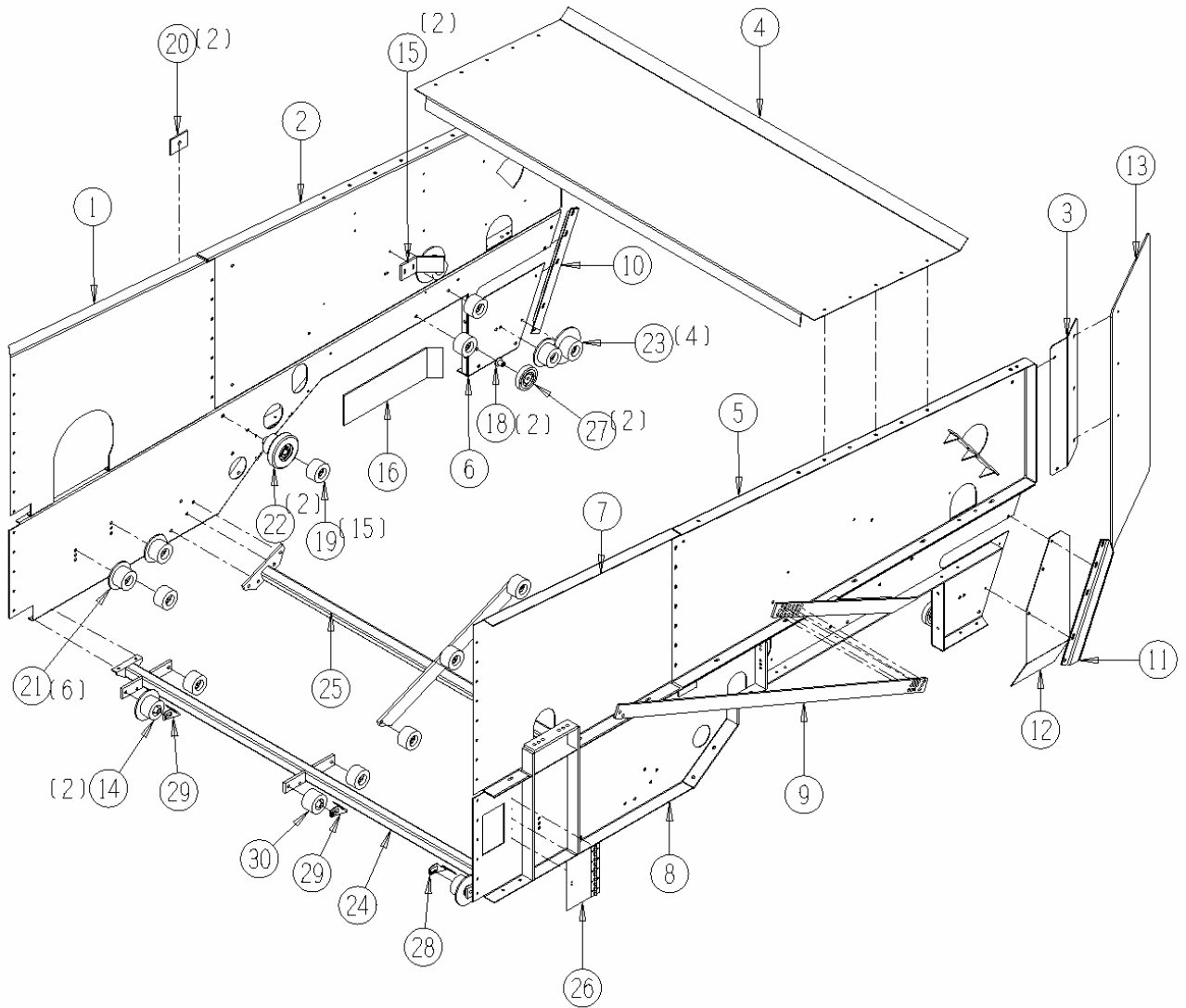
3006-4-5



3006-6-1 Shaker Chamber Assembly

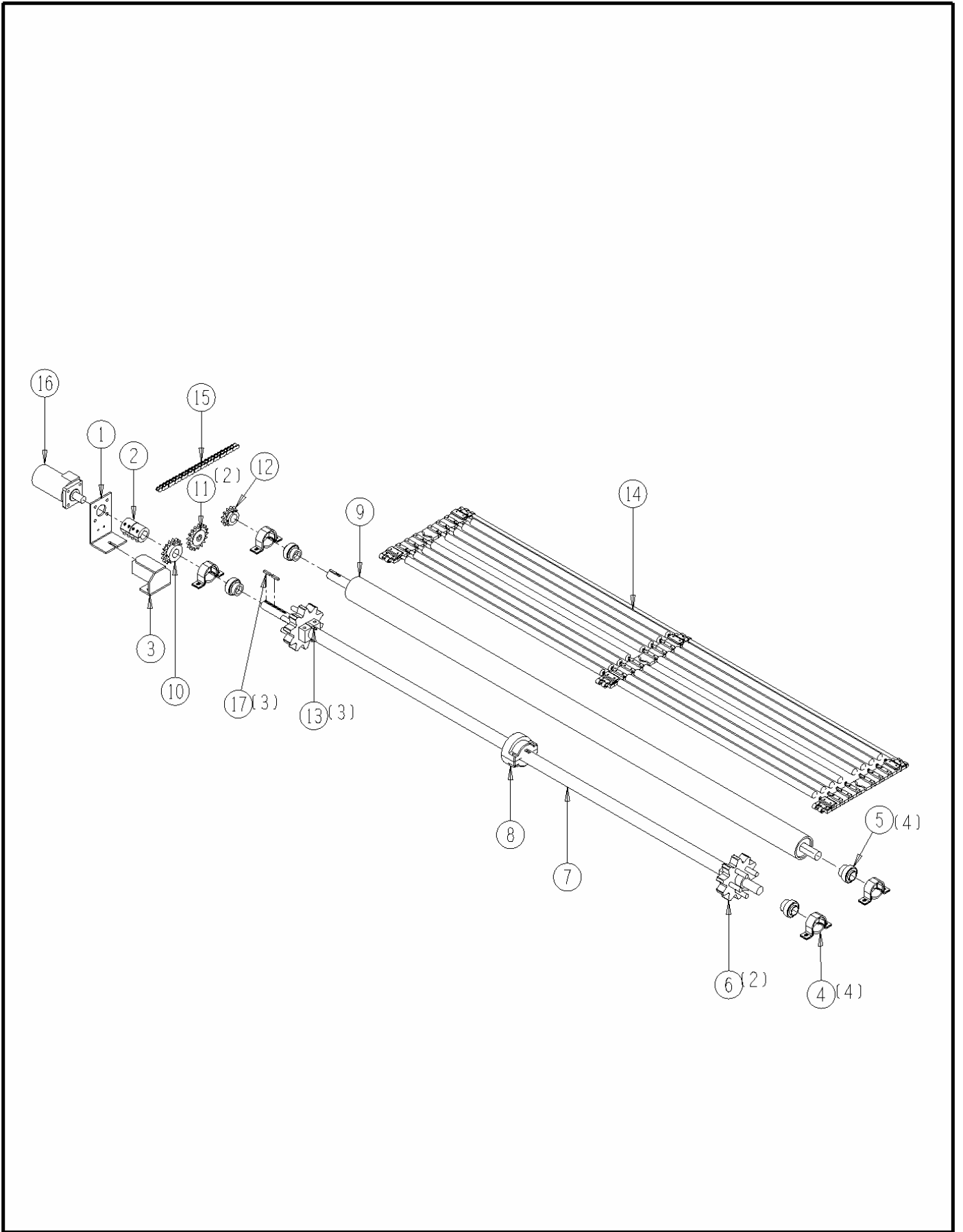
<u>Ref</u>	<u>Part No.</u>	<u>Description</u>	<u>Parts – Assembly</u>	<u>Will Fit SN</u>	<u>Remarks</u>
1	PAN-3315	Panel, Top Inner, Front Shaker Side (Pickle)	1	30096001-	Replaces PAN-3312
2	PAN-3317	Panel, Top Inner, Rear Shaker Side (Pickle)	1	30096001-	Replaces PAN-3312
3	SHD-3320	SHIELD, Vine Diverter	1		
4	SHD-3322	Shield, Fan Hood Panel, Vine Chain (Pickle)	1	30096001-	
5	PAN-3322	Panel, Top Outer, Rear Shaker Side	1	30096001-	Replaces PAN-3310
6	PAN-3302	Panel, Lower Inner, Shaker (Pickle)	1	30095001-	
7	PAN-3320	Panel, Top Outer, Front Shaker Side (Pickle)	1	30096001-	Replaces PAN-3310
8	PAN-3301	Panel, Lower Outer Shaker (Pickle)	1	30095001-	
9	BAR-3301	Bar, Hold-Up, Outer Shaker Panel (Pickle)	1	30096001-	
10	SUP-3320	Support, Vine Chain Sides (Pickle)	1	30096001-	
11	SUP-3321	Support, Lower Shaker Panels (Pickle)	1	30095001-	
12	SHD-3321	Vine Deflector Shield	1	30096001-	
13	PL-3320	Plastic, Shield, Vine Deflector, Rear, Left, Cuc	1		
14	RLT-535-2210-SC	5" Flange Roller 2.2 WF 3.5 dia, 5/8" bore w/ Hub for Scraper	2		
15	SHD-3499	Shield, Pickle Savers, In Front of Rollers, Cuc.	2		Replaces PL-3499
16	PL-3895	Shield, Deflector, Sizing Chain, Cucumber	1	30095001-	
17	RI-3-6-P	Pop Rivets 3/16 x 3/8 Domed, .375 head, ea.	7		
18	RLA-000-118	Standoff, 1/2" X 1 1/8"	2		
19	RLT-035-228	Roller 3.5 dia x 2.2 x 1/2" bore, no flange	14		
20	SUP-62	Support, Bouncer Roller, Vine Chain, Cuc	2		
21	RLT-535-228	5" Flange Roller 2.2WF x 3 1/2" dia, 1/2" bore	6		
22	RLT-62	Shaker Roller, 5/8" Bore	2		
23	RLT-635-228	6 1/2" Flange Roller 2.2 WF 3.5 dia, 1/2" bore	4		
24	SUP-3305	Support, Transfer Rollers (Pickle)	1	30096001-	Replaces SUP-3302
25	SUP-3307	Support, Transfer Rollers (Pickle)	1	30096001-	
26	SHD-3310	Door, Primary Shaker Access Door	1	30098001-	
27	RLR-040-108	4" Flat Roller	2		Changed to Urethane in 2006
28	RLA-3023-T	Straight Scraper, RH	1		
29	RLA-3024-T	Straight Scraper	2		
30	RLT-035-2210-SC	Roller 3.5 dia x 2.2 x 1/2" bore, no flange w/Hub for Scraper	1		

3006-6-1



3006-6-4 Transfer Chain Drive and Roller Assembly

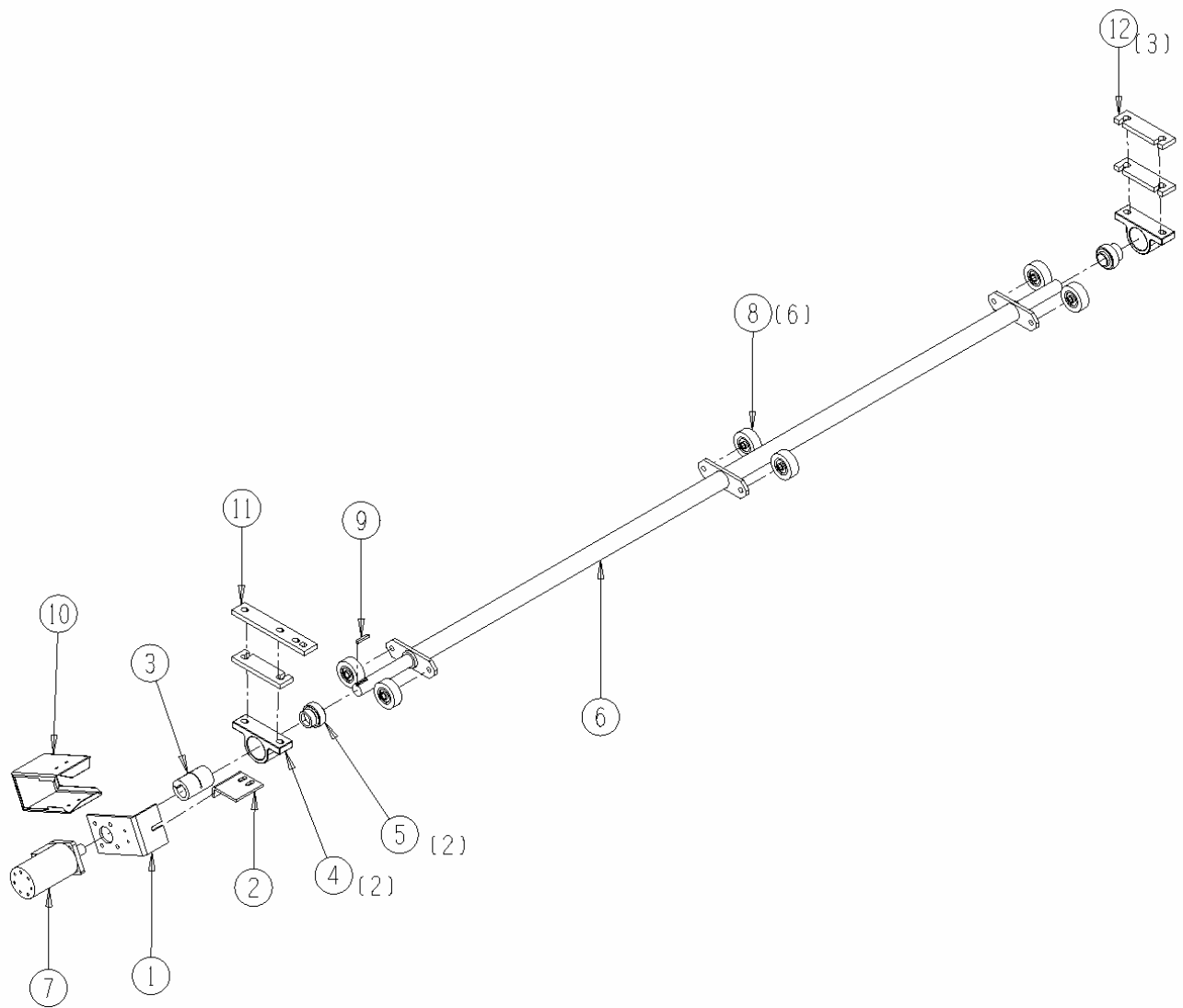
<u>Ref</u>	<u>Part No.</u>	<u>Description</u>	<u>Parts – Assembly</u>	<u>Will Fit SN</u>	<u>Remarks</u>
1	193-806	Mount motor	1		
2	CPS-6060	Steel Coupler (offcenter) 1 1/4" x 1"	1		
3	STP-3315	Stop, Transfer Motor, cuc	1	30097001-	
4	BR-062-MPB	Stamped Bearing Housing for 1 1/4" bearing	4		
5	BR-125-062	Bearing, 1 1/4 Fafnir tri-seal, 62mm OD	4		
6	SP-4210-28-6-HC	42-10 High Chrome Sprocket	2		
7	SFT-3316	Shaft, Transfer Drive, Cuc.	1	30098001-	
8	SPU-500-28-6	Urethane Idlers	1		
9	RLP-3315	Roller, Transfer Return	1	30097001-	Replaces RLP-3310
10	SP-50B16-20-4	Sprocket, #50, 16 tooth, 1.25" bore	1		
11	SP-5017-T	Idler, 17 tooth x #50 Chain	2		
12	SP-50B12-20-4	Sprocket, #50, 12 tooth, 1.25" bore	1	19201-	
13	KEY-6-6-40	Keystock 3/8" x 3/8" x 2 1/2" Square Cut (1018)	3		
14	BC-7-8742-93AC	Transfer Chain, 42mm Pitch, 87" Wide, 153 3/4" Long	1		Replace all previous used chains including 36mm pitch.
15	CH-50-87	Roller Chain 87 pitches #50 w/ master link	1		
16	HM-204-TC	TCI Motor	1		
17	KEY-4-4-20	Shaft Key 1/4" x 1 1/4"	3		



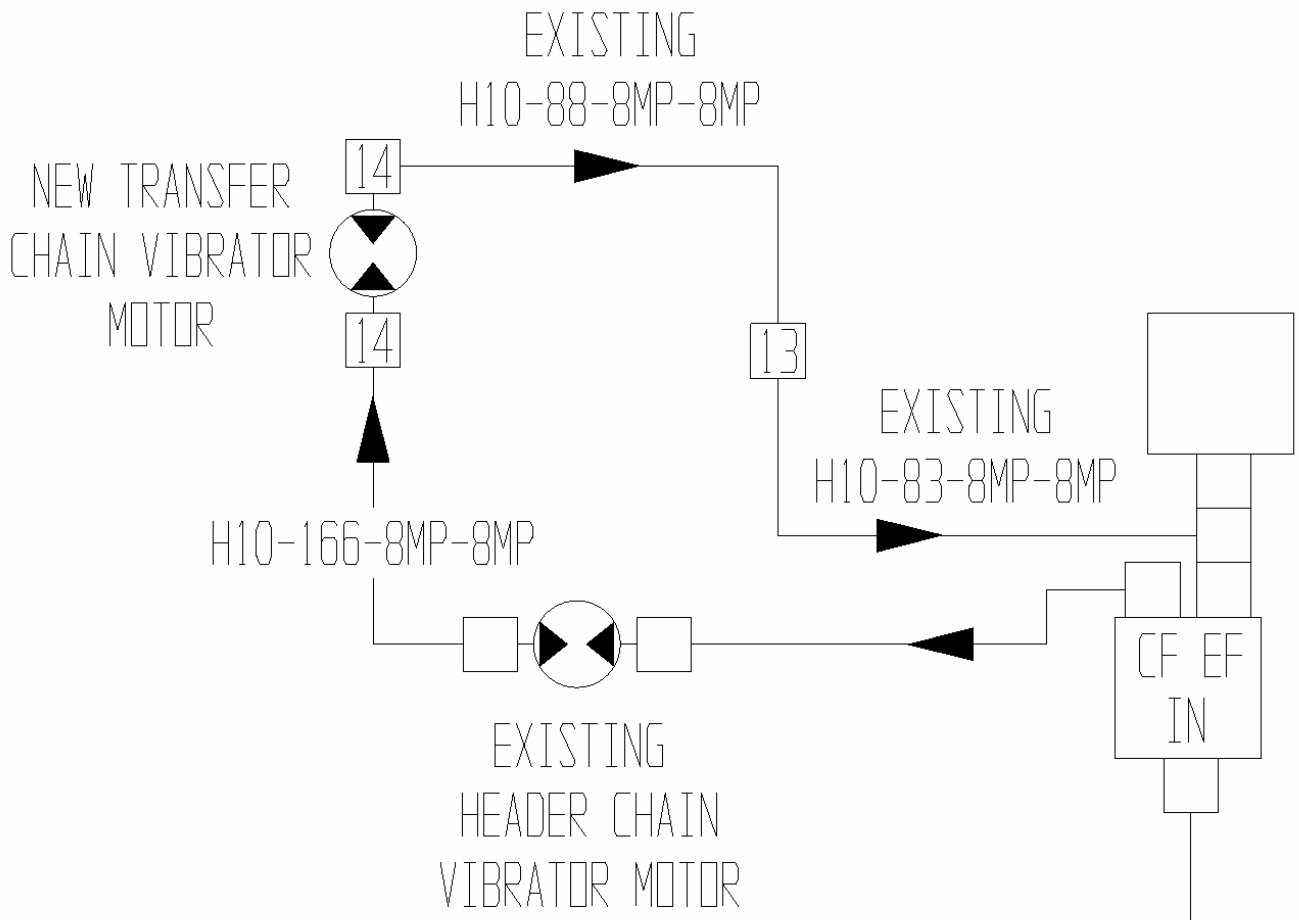
3006-6-5 Optional Transfer Chain Dirt Vibrator Assembly

<u>Ref</u>	<u>Part No.</u>	<u>Description</u>	<u>Parts – Assembly</u>	<u>Will Fit SN</u>	<u>Remarks</u>
0	H10-166-8MP-8MP	5/8 in Hose x 1/2MP x 1/2MP x 166 in Long	1		
0	H10-88-8MP-8MP	5/8 in hose 1/2MP x 1/2MP x 88 in long	1		
1	193-806	Mount motor	1		
2	193-806A	Motor mount stop	1		
3	CPS-6060	Steel Coupler (offcenter) 1 1/4" x 1"	1		
4	BR-062-RAK	62mm Cast Housing	2		
5	BR-125-062	Bearing, 1 1/4 Fafnir tri-seal, 62mm OD	2		
6	SFT-3605	Shaft, Transfer Vibrator, 3000 Cuc.	1		
7	HM-208-TC	TCI Motor	1		
8	RLT-027-108	Roller 2.75" dia. 1/2" Bore	6		2755C1X (Old Number, Single Bearing)
9	KEY-4-4-24	Shaft Key 1/4" x 1 1/2" Square Cut (1018)	1		
10	193-806C	Motor Guard	1	19301-	
11	bra-3605	Bracket, 062 Rak Housing & Stop	1		
12	SPA-8-062	Spacer, 062 Rak Housing	3		
13	A-1405-8-8	1/2" NPT Coupler W/Swivel	1		
14	A-6902-10-8	10 SAE X 1/2" FPX 45	2		
15	HA-1033	Hydraulic Hose holder 3/4	10	19101	
16	BL-1224-125-DT	12-24 x 1 1/4" Drill and Tap Screw	5		
100	BL-4-500-H	1/4-20 X 5 HEX CAP G5 ZC	1		
101	BL-4-FW-8	1/4" Flat Washer Grade 8	2		
102	BL-4-WN	1/4-20 FORGED W/NUTS ZC	1		

3006-6-5



3006-6-5

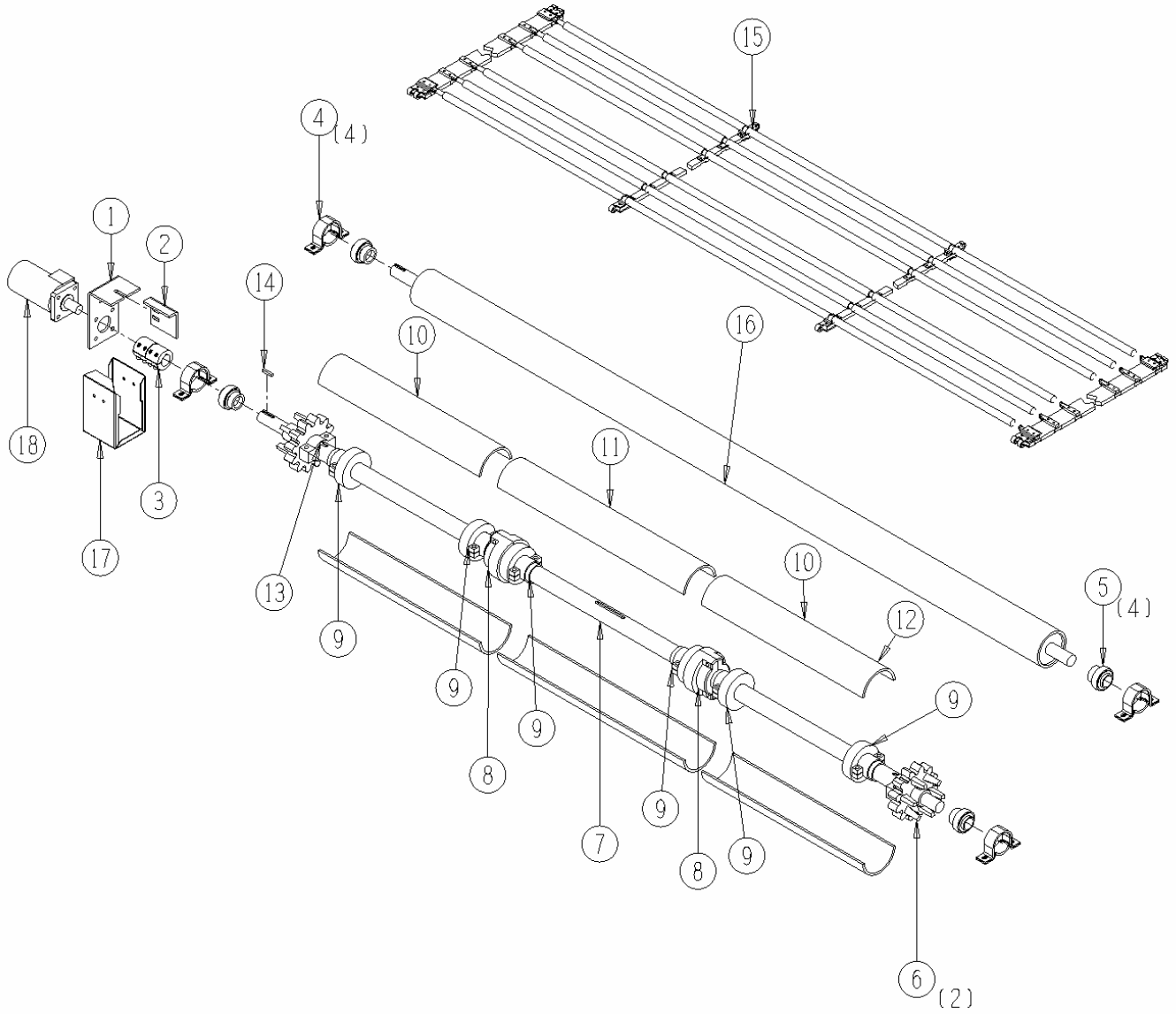


[15|16] USE AS NEEDED

3006-6-7 Sizing 72mm Chain Drive & Roller Assembly

<u>Ref</u>	<u>Part No.</u>	<u>Description</u>	<u>Parts – Assembly</u>	<u>Will Fit SN</u>	<u>Remarks</u>
1	193-806	Mount motor	1		
2	193-806A	Motor mount stop	1		
3	CPS-6060	Steel Coupler (offcenter) 1 1/4" x 1"	1		
4	BR-062-MPB	Stamped Bearing Housing for 1 1/4" bearing	4		
5	BR-125-062	Bearing, 1 1/4 Fafnir tri-seal, 62mm OD	4		
6	SP-3612-28-6-H	36-12 Heat Treated Sprocket	2		
7	SFT-3351	Shaft, Sizing Drive, Cuc.	1	30098001-	
8	SPU-500-28-6	Urethane Idlers	2		
9	PL-1419	Plastic, Molded Hub for Drive Drum, 1 3/4" bore	6		
10	PL-1417	Plastic, Anti-Wrap, Sizing Chain Drive, Cuc	4		
11	PL-1418	Plastic, Anti-Wrap, Center, Sizing Chain, Cuc	2		
12	CL-72	5" Gear Clamp	6		
13	KEY-6-6-40	Keystock 3/8" x 3/8" x 2 1/2" Square Cut (1018)	2		
14	KEY-4-4-20	Shaft Key 1/4" x 1 1/4"	1		
15	BC-7-8772-49	Sizing Belted Chain, Cucumber	1		Replaces all previously used Sizing chains
16	RLP-3610	Roller, Feeder & Sizing (Pickle)	1	30095001-	
17	193-806C	Motor Guard	1	19301-	
18	HM-204-TC	TCI Motor	1		
100	BL-6-SW	3/8 SAE FW ZC	8		
101	BL-6-LN	3/8 UNC FIN HEX LOCK NUT NE A563 GrA ZINC	6		
102	BL-6-FW	3/8 USS FW ZC	4		
103	BL-6-LW	3/8 SPLIT LW ZC	4		
104	BL-6-125-H	3/8-16 X 1 1/4 HHCS G5 ZC	6		
105	BL-6-100-H	3/8 UNC X 1 HH C/S BOLT GR5 ZINC	4		

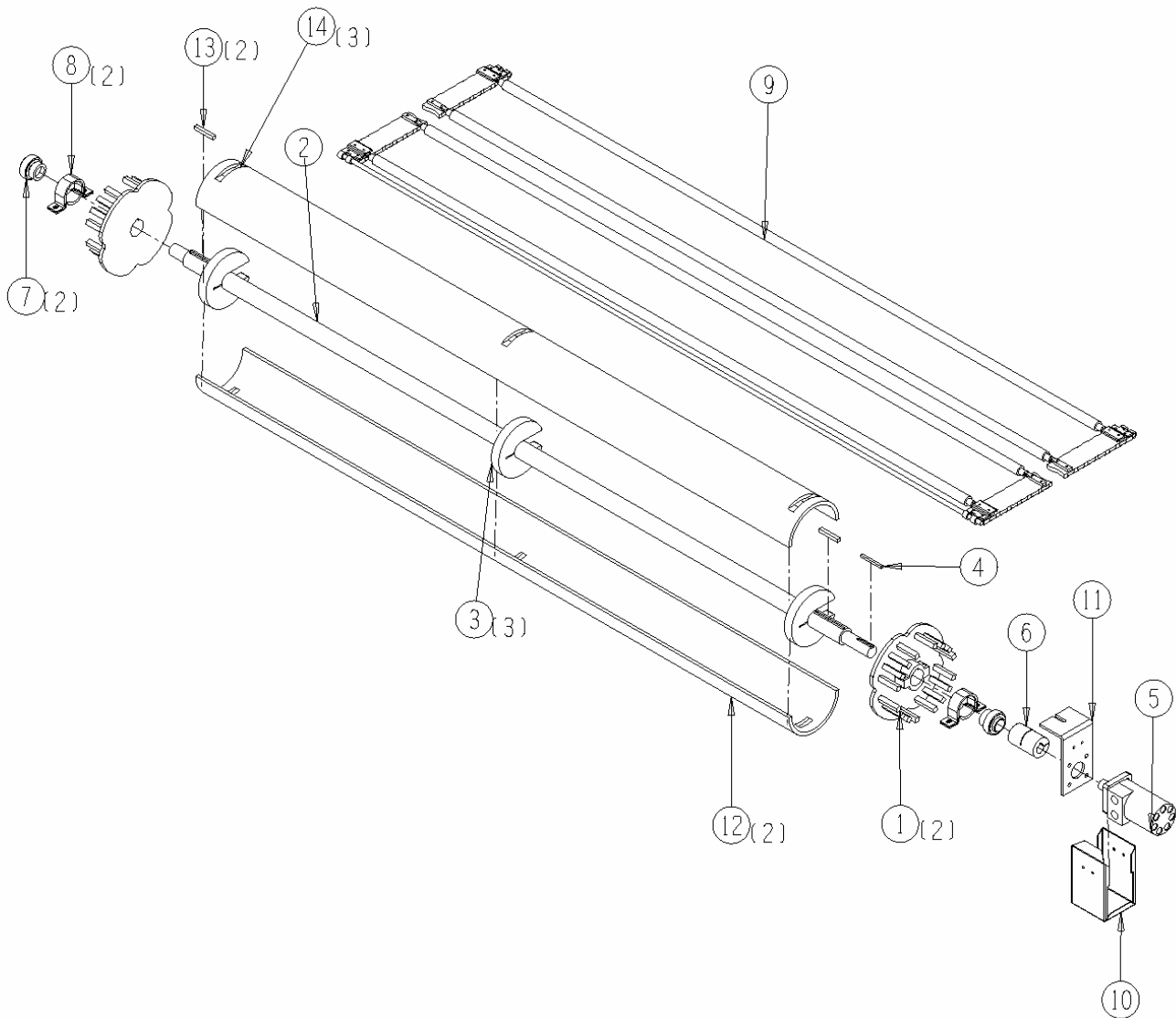
3006-6-7



3006-6-10 Vine Chain Drive Shaft Assembly

<u>Ref</u>	<u>Part No.</u>	<u>Description</u>	<u>Parts – Assembly</u>	<u>Will Fit SN</u>	<u>Remarks</u>
1	SP-17504-MX-28-6	175mm High Profile Mixer Sprocket 1 3/4" Bore 3/8" Keyway	2		
2	SFT-3412	Shaft, Vine Chain Drive, Rear Shaker Panel	1	30097001-	Replaces SFT-3410
3	PL-3416	Donut, Vine Chain Shaft, Cucumber Harvester	2	PL-3416	
4	KEY-4-4-44	Shaft Key 1/4" x 2 3/4"	2		
5	HM-204-TC	TCI Motor	1		
6	CPS-6060	Steel Coupler (offcenter) 1 1/4" x 1"	1		
7	BR-125-062	Bearing, 1 1/4 Fafnir tri-seal, 62mm OD	2		
8	BR-062-MPB	Stamped Bearing Housing for 1 1/4" bearing	2		
9	BC-16-8735-46NF	Vine Chain, w/o Center Belt	1		
10	193-806C	Motor Guard	1	19301-	
11	193-806	Mount motor	1		
12	SHD-3421	Vine Chain Shaft Cover	2		
13	KEY-6-6-40	Keystock 3/8" x 3/8" x 2 1/2" Square Cut (1018)	2		
14	CL-104	SS Gear Clamp 4" - 7" Range	3		

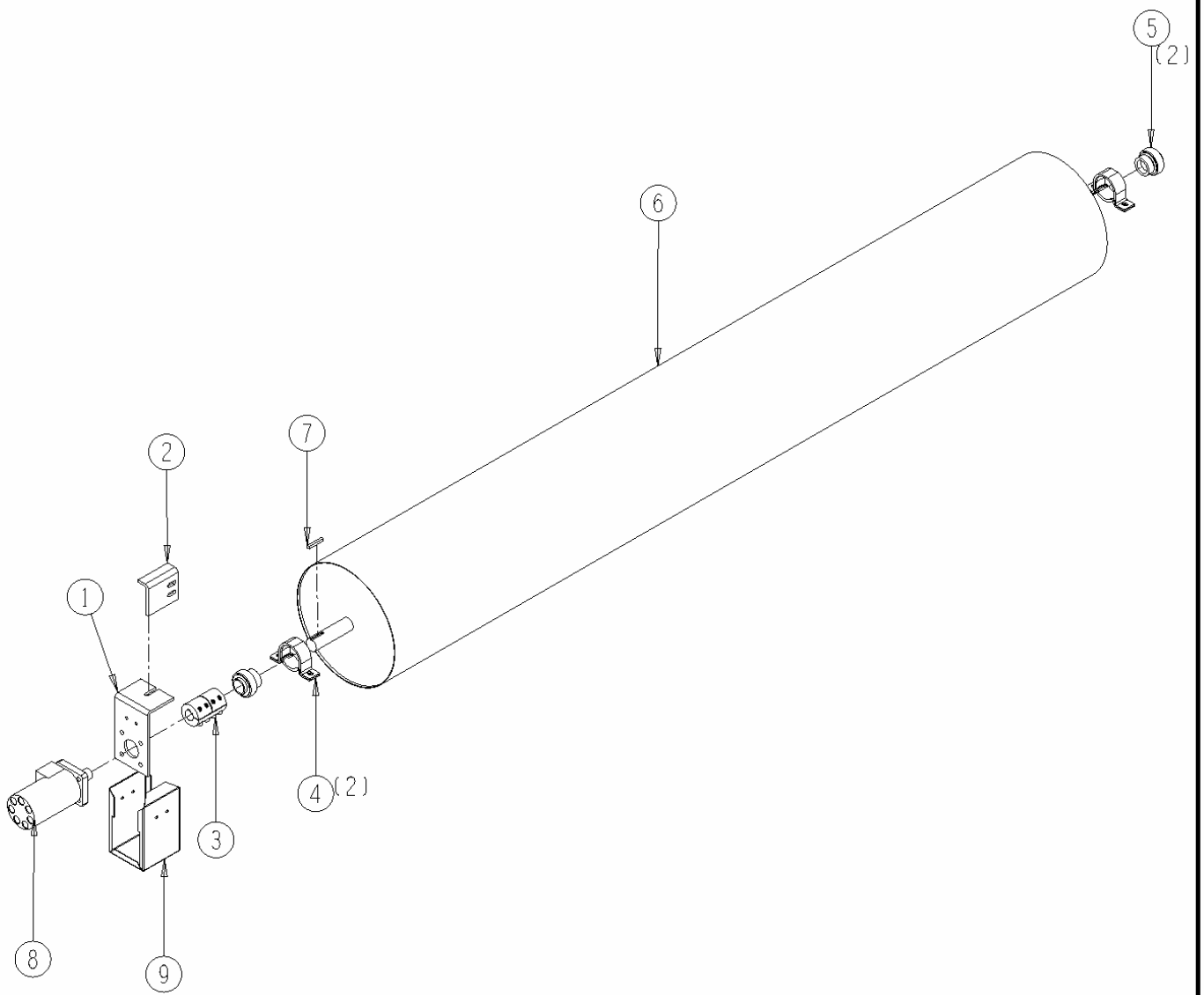
3006-6-10



3006-6-12 Debris Drum Assembly

<u>Ref</u>	<u>Part No.</u>	<u>Description</u>	<u>Parts – Assembly</u>	<u>Will Fit SN</u>	<u>Remarks</u>
1	193-806	Mount motor	1		
2	193-806A	Motor mount stop	1		
3	CPS-6060	Steel Coupler (offcenter) 1 1/4" x 1"	1		
4	BR-062-MPB	Stamped Bearing Housing for 1 1/4" bearing	2		
5	BR-125-062	Bearing, 1 1/4 Fafnir tri-seal, 62mm OD	2		
6	RLP-3420	Roller, Debris Drum (Pickle)	1	30095001-	
7	KEY-4-4-28	Shaft Key 1/4" x 1 3/4"	1		
8	HM-204-TC	TCI Motor	1		
9	193-806C	Motor Guard	1	19301-	
100	BL-6-SW	3/8 SAE FW ZC	12		
101	BL-6-LW	3/8 SPLIT LW ZC	4		
102	BL-6-LN	3/8 UNC FIN HEX LOCK NUT NE A563 GrA ZINC	6		
103	BL-6-250-H	3/8-16 X 2 1/2 HH C/S GR5 ZC	6		
104	BL-6-100-H	3/8 UNC X 1 HH C/S BOLT GR5 ZINC	4		

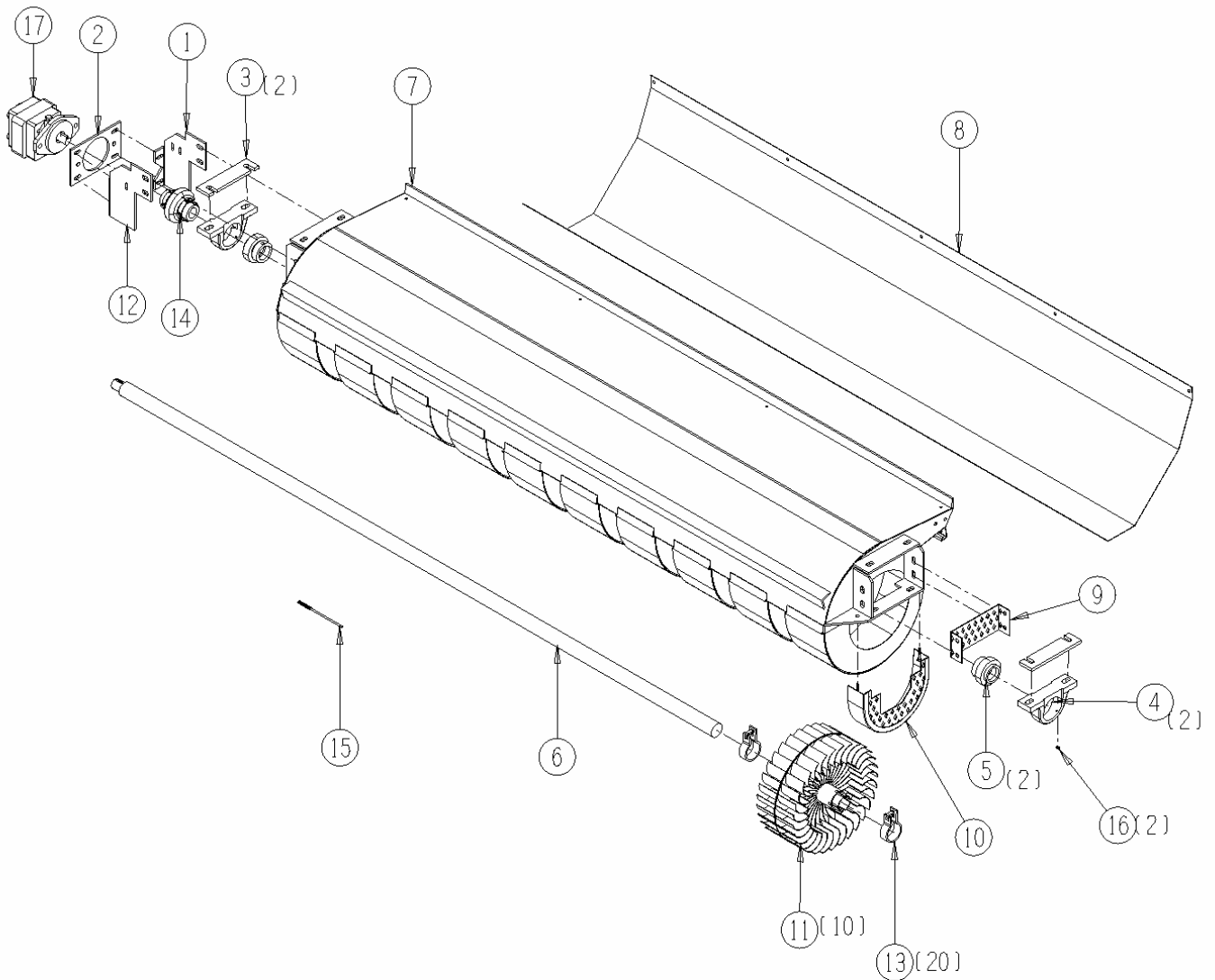
3006-6-12



3006-6-13 Debris Fan Assembly

<u>Ref</u>	<u>Part No.</u>	<u>Description</u>	<u>Parts – Assembly</u>	<u>Will Fit SN</u>	<u>Remarks</u>
1	MOU-3707	Mount, Debris Fan Motor (Pickle)	1	30096001-	
2	SUP-3707	Support, Motor Mount, Debris Fan (Pickle)	1	30096001-	
3	SPA-3720	Spacer, Debris Fan (Pickle)	2	30096001-	
4	BR-085-RAK	Bearing Housing 85 mm	3		
5	BR-175-085-KB	Fafnir Bearing 1 3/4" Heavy SS1	3		
6	SFT-3702	Shaft, Debris Fan (Pickle)	1	30096001-	
7	FAN-3720	Fan, Debris Housing (Pickle)	1	30095001-	
8	SHD-3721	Shield, Housing Inlet, Debris Fan	1	30095001-	Replaces PN SHD-3720-A
9	SHD-3722	Shield, Top Cover, Debris Fan (Pickle)	1	30096001-	
10	SHD-3700	Shield, Rotor, Shaft, Debris Fan (Pickle)	1	30096001-	
11	FAN-730	Plastic Debris Fan (JD)	10		Cucumber harvester
12	MOU-3708	Mount, Front Motor Support, Debris Fan (Pickle)	1	30096001-	
13	CL-730	Clamp for Fan Rotor (JD)	20		
14	CPR-7081	Debris Fan Coupler	1		Replaces Lovejoy Coupler In pre 1994 Machines (PN CPJ-7081;CPJ-6055;CPJ-6053) Pre 1992 May require some modifications
15	ELC-3340	Rock Guard, Debris Fan, Cuc	1	30098001-	
16	GF-1428	Grease Fitting 1/4" x 28 straight	2		
17	HM-412C	Hydraulic Motor	1	19101	Sub 191-412
100	BL-6-125-H	3/8-16 X 1 1/4 HHCS G5 ZC	4		
101	BL-4-075-H	1/4 UNC X 3/4 HH C/S BOLT GR5 ZINC	2		
102	BL-4-FW	1/4 USS FW ZC	4		
103	BL-4-LN	1/4-20 HEX LN NE ZC	2		
104	BL-6-150-H	3/8-16 X 1 1/2 HEX CAP G5 ZC	5		
105	BL-6-FW	3/8 USS FW ZC	13		
106	BL-6-LN	3/8 UNC FIN HEX LOCK NUT NE A563 GrA ZINC	9		
107	BL-6-SW	3/8 SAE FW ZC	35		
108	BL-8-150-C	1/2 UNC X 1 1/2 CARRIAGE BOLT GR5 ZINC	4		
109	BL-8-175-H	1/2-13 X 1 3/4 HEX CAP G5 ZC	6		
110	BL-8-225-H	1/2-13 X 2 1/4 HEX CAP G5 ZC	4		
111	BL-8-FW	1/2 USS FW ZC	9		
112	BL-8-LN	1/2-13 HEX LOCK NUT NYLON INSERT ZC	10		
113	BL-8-LW	1/2 SPLIT LW ZC	4		
114	BL-8-N	1/2-13 HEX FIN NUTS ZC	4		

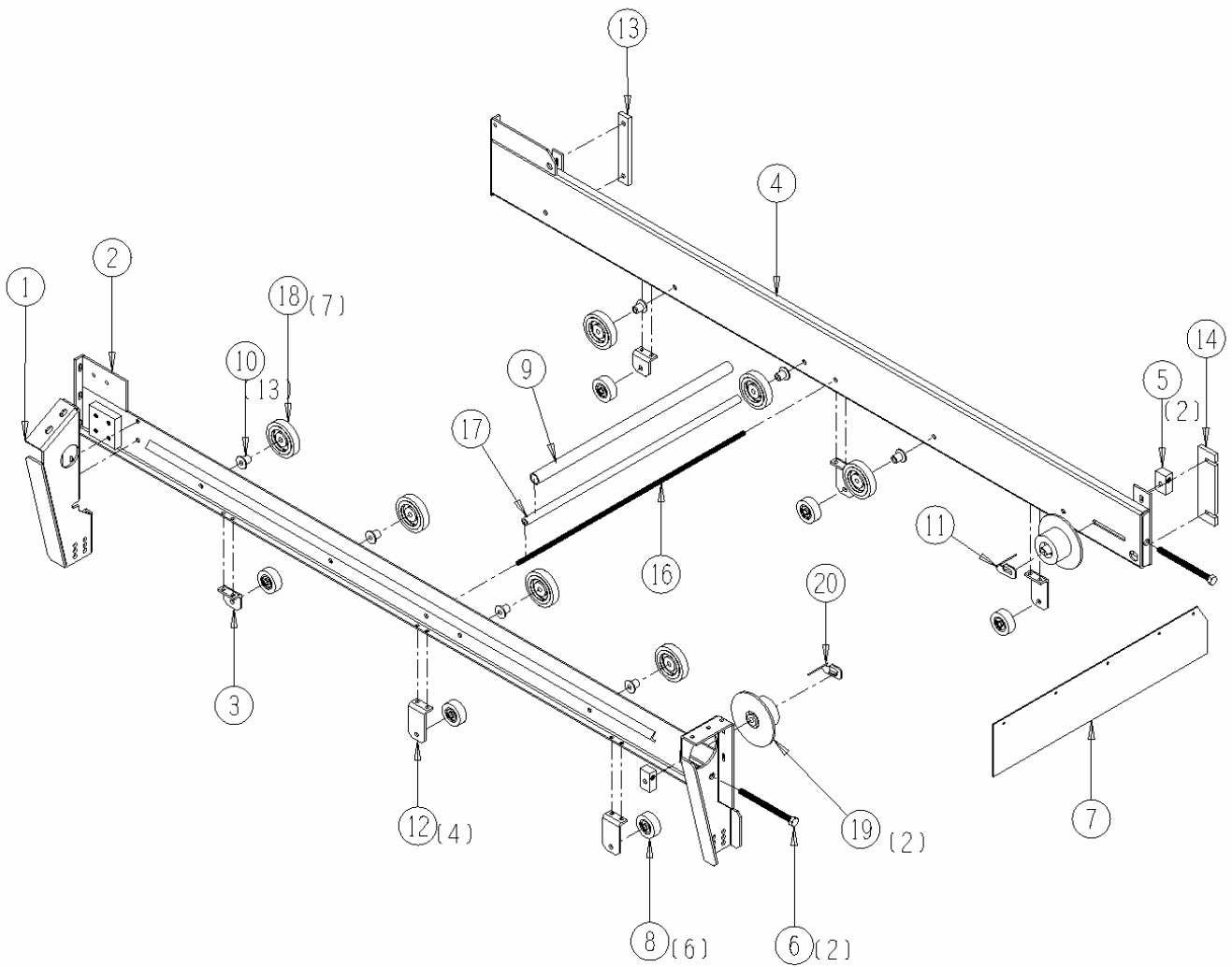
3006-6-13



3006-7-1 Cross Conveyor Assembly

<u>Ref</u>	<u>Part No.</u>	<u>Description</u>	<u>Parts – Assembly</u>	<u>Will Fit SN</u>	<u>Remarks</u>
1	BRA-3305	Bracket, Inner, Front Cross Conveyor	1	30096001-	
2	SID-3361	Side, Panel, Front, Cross Conveyor, Cuc.	1	30098001- HH-3300	
3	SUP-3350	Support, Hold-Up Roller, Cross Conveyor (Pickle)	2	30096001-	
4	SID-3351	Side, Panel, Rear, Cross Conveyor, Cuc.	1	30098001- HH-3300	
5	SUP-3360	Support, Roller Slider Block, Cross Conveyor (Pickle)	2	30096001-	
6	BL-10-800-T	5/8-11 X 8 HEX TAP G8 ZC	2		
7	BT-3301	Belting, Outer Lower Shaker Panel, Cross (Pickle)	1	30096001-	
8	RLT-027-108	Roller 2.75" dia. 1/2" Bore	6		2755C1X (Old Number, Single Bearing)
9	SHD-0144	Shield Cross Conveyor, 3000 Cuc.	1		
10	RLA-000-118	Standoff, 1/2" X 1 1/8"	13		
11	RLA-3023-T	Straight Scraper, RH	1		
12	SUP-3352	Support, Hold Up Roller, Cross, Cuc	4	30099001-	
13	SPA-3350	Spacer, Rear Cross, HH Side, Cuc	1		
14	SPA-3351	Spacer, Shim, Behind Rear Cross Panel, Cuc	1	30098001-	
15	H10-PL	5/8" Push Loc Hose @ ft.	0.5		
16	ADJ-3361	Adjuster, Side Panels, Cross Conveyor, Cuc	1		
17	SPA-3361	Spacer, Side Panels, Cross Conv., Cuc	1		
18	RLR-040-108	4" Flat Roller	7		Changed to Urethane in 2006
19	RLT-635-2210-SC	6 1/2" Flange Roller w/Shaft for Scraper 5/8" Bore	2		
20	RLA-3024-T	Straight Scraper	1		

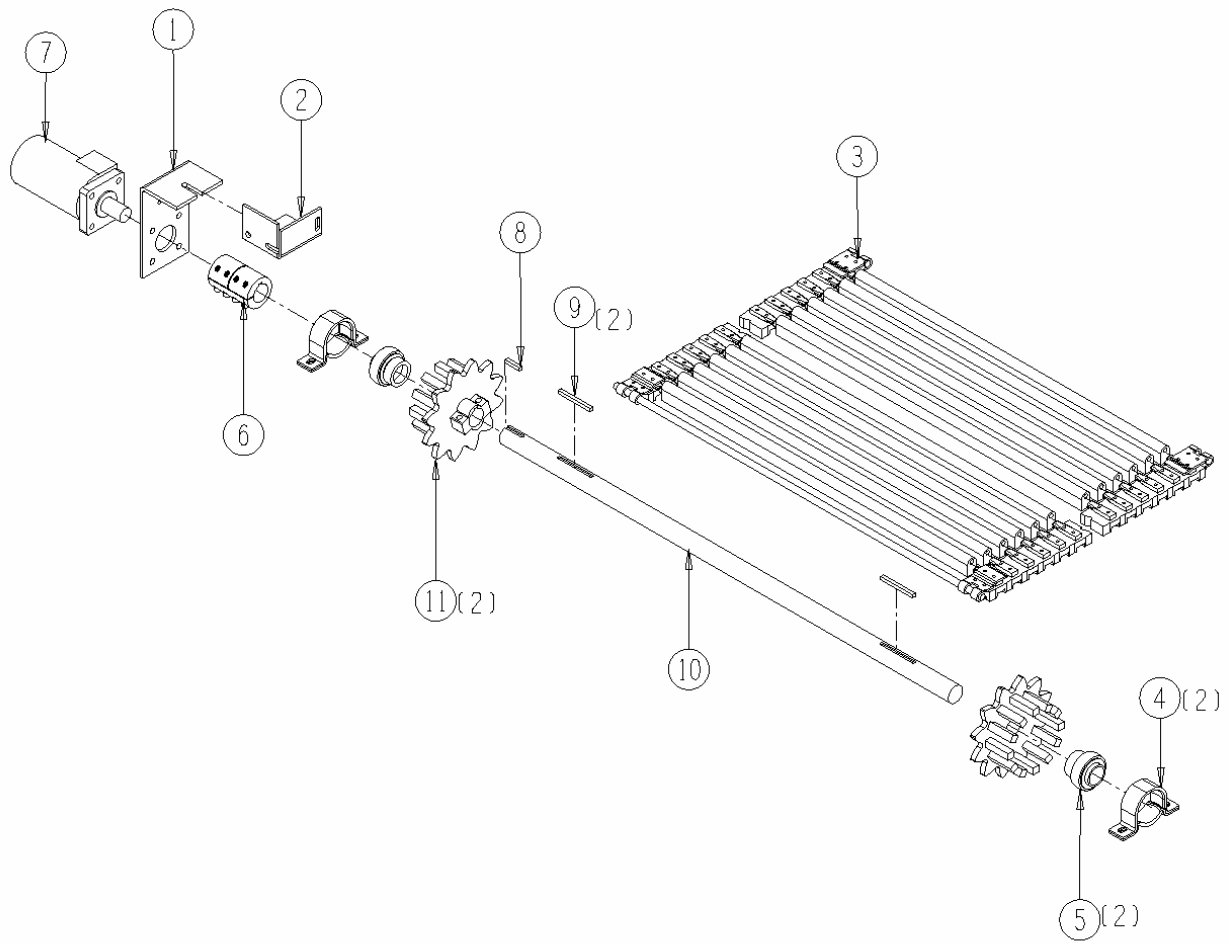
3006-7-1



3006-7-2 Cross Conveyor Drive Shaft Assembly

<u>Ref</u>	<u>Part No.</u>	<u>Description</u>	<u>Parts – Assembly</u>	<u>Will Fit SN</u>	<u>Remarks</u>
1	193-806	Mount motor	1		
2	193-915	Stop, Discharge Motor	1	19301-	
3	BC-7-3235-151AC	Cross Conveyor Belt w/ Bubble Top Cushion	1		
4	BR-062-MPB	Stamped Bearing Housing for 1 1/4" bearing	2		
5	BR-125-062	Bearing, 1 1/4 Fafnir tri-seal, 62mm OD	2		
6	CPS-6060	Steel Coupler (offcenter) 1 1/4" x 1"	1		
7	HM-204-TC	TCI Motor	1		
8	KEY-4-4-20	Shaft Key 1/4" x 1 1/4"	1		
9	KEY-4-4-44	Shaft Key 1/4" x 2 3/4"	2		
10	SFT-3360	Shaft, Cross Conveyor (Pickle)	1	30095001-	Replace with SFT-3330 ON HEDGE HOG ONLY!
11	SP-3512-MX-20-4	35MM Hi Profile Mixer Sprocket 1 1/4 bore 1/4 Key	2		

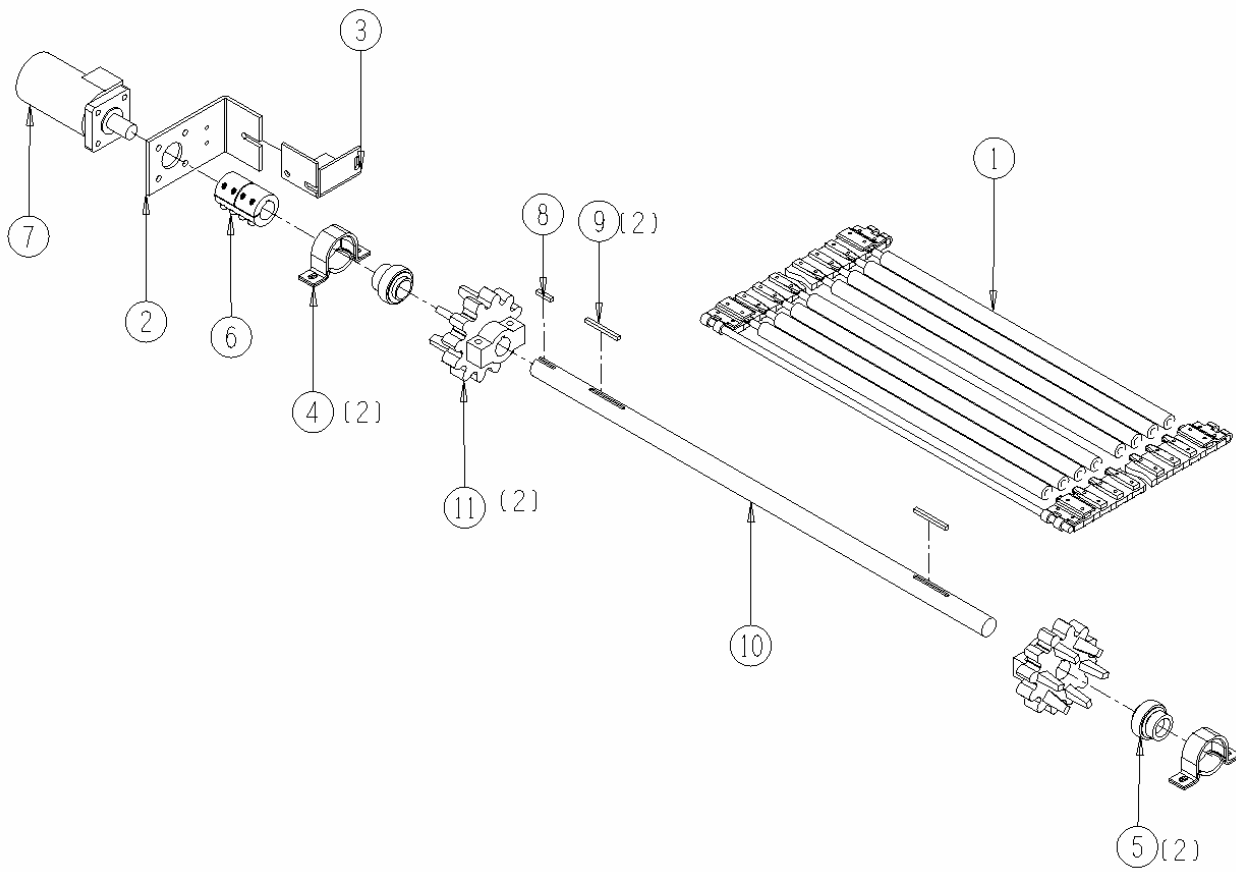
3006-7-2



3006-7-3 Optional Cross Conveyor 36mm Drive Shaft Assembly

<u>Ref</u>	<u>Part No.</u>	<u>Description</u>	<u>Parts – Assembly</u>	<u>Will Fit SN</u>	<u>Remarks</u>
1	BC-7-3236-147AC	36mm Cross Chain, 3000 Cuc.	1		
2	193-806	Mount motor	1		
3	193-915	Stop, Discharge Motor	1	19301-	
4	BR-062-MPB	Stamped Bearing Housing for 1 1/4" bearing	2		
5	BR-125-062	Bearing, 1 1/4 Fafnir tri-seal, 62mm OD	2		
6	CPS-6060	Steel Coupler (offcenter) 1 1/4" x 1"	1		
7	HM-204-TC	TCI Motor	1		
8	KEY-4-4-20	Shaft Key 1/4" x 1 1/4"	1		
9	KEY-4-4-44	Shaft Key 1/4" x 2 3/4"	2		
10	SFT-3360	Shaft, Cross Conveyor (Pickle)	1	30095001-	Replace with SFT-3330 ON HEDGE HOG ONLY!
11	SPU-3612-20-4	Urethane Sprocket 36-12 1 1/4 bore 1/4" key	2		

3006-7-3

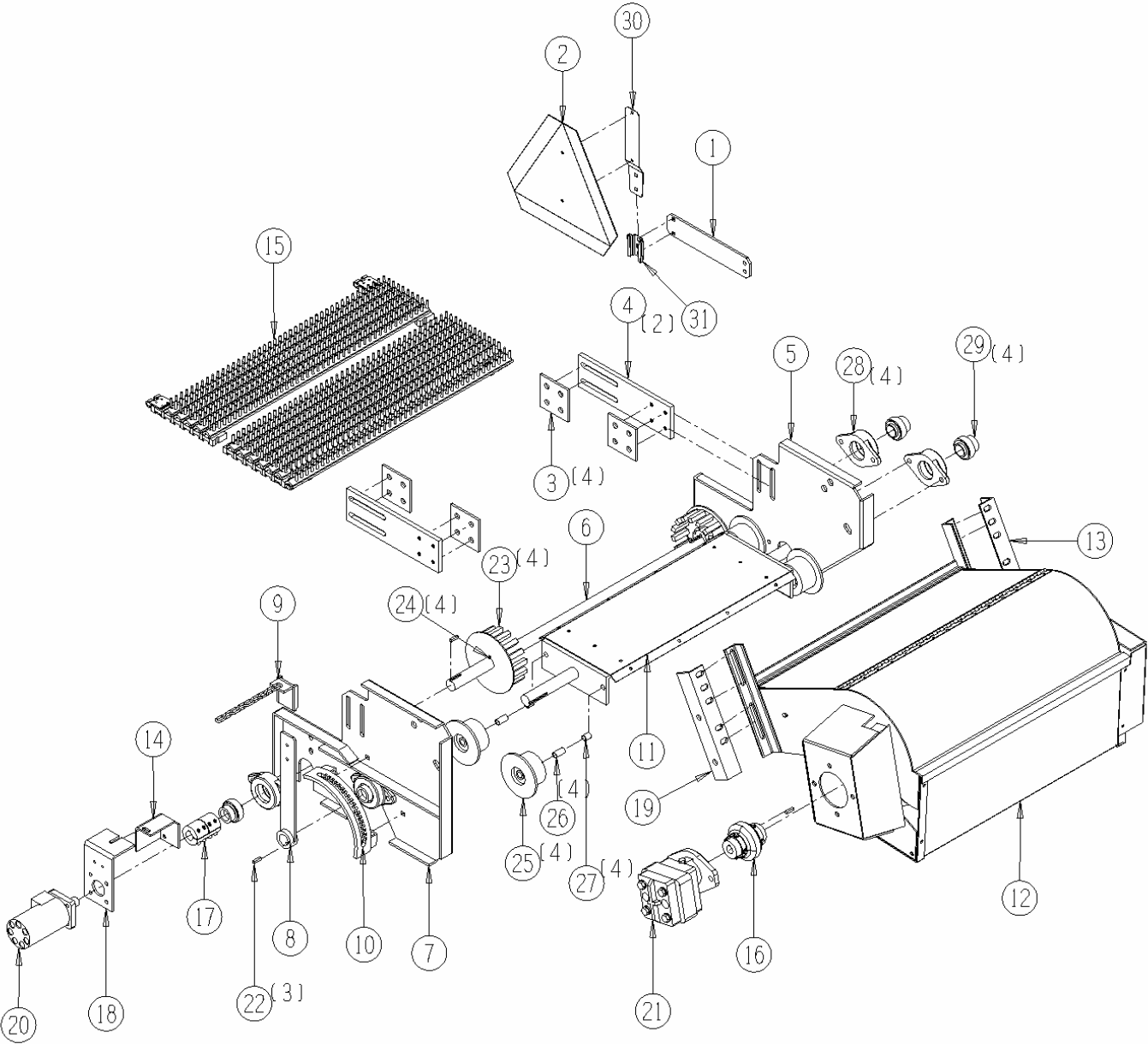


3006-7-5 Hedge Hog Debris Removal System

<u>Ref</u>	<u>Part No.</u>	<u>Description</u>	<u>Parts – Assembly</u>	<u>Will Fit SN</u>	<u>Remarks</u>
1	MOU-3303	SMV Sign Holder, 3000 Cucumber	1		
2	SMV-PL	SMV Sign, Metal	1		
3	SPA-3331	Spacer, Hedge Hog, Under Rear Cross, Cuc	4		
4	BAR-3330	Bar, Panel Support, Hedge Hog, Under Rear Cross, Cuc.	2	30098001- HH-3300	
5	PAN-3333	Panel, Front Side, HH, Cuc	1	30098001- HH-3300	
6	SFT-3330	Shaft, Hedge Hog Drive, Cuc.	1	all 32" Hedge Hog Fans	
7	PAN-3332	Panel, Back Side, HH, Under Cross, Cuc	1	30098001-	
8	BRA-3330	Bracket, Angle Adjustment Lever	1	30098001- HH-3300	
9	STP-3330	Bracket, Stop Holder, Hedge Hog	1	30098001- HH-3300	
10	ADJ-3330	Adjuster, Angle, Stop Holder, Hedg Hog, Cuc	1	30098001- HH-3300	
11	FRM-3330	Frame, Shaft & Angle, Hedge Hog, Under Rear Cross	1	FRM-3330	
12	FAN-3331	Fan, Assembly;Hedge Hog, 30"	1	KIT-0063 HH-3300 30098001-	
13	FAN-3339	Bracket, Mount, Front	1	30098001- HH-3300 KIT-0063 KIT-0067	
14	193-915	Stop, Discharge Motor	1	19301-	
15	BC-3235-35-HH	35mm Hedge Hog Belt 35 pitches High Profile	1		
16	CPR-7081	Debris Fan Coupler	1		Replaces Lovejoy Coupler In pre 1994 Machines (PN CPJ- 7081;CPJ-6055;CPJ-6053) Pre 1992 May require some modifications
17	CPS-6060	Steel Coupler (offcenter) 1 1/4" x 1"	1		
18	193-806	Mount motor	1		
19	FAN-3336	Bracket, Hedge Hog, Fan Mount	1	FAN-3332	
20	HM-204-TC	TCI Motor	1		
21	HM-412C	Hydraulic Motor	1	19101	Sub 191-412
22	KEY-4-4-16	Shaft Key 1/4" X 1/4" X 1" Square Cut (1018)	3	20095001-	
23	SP-3516-HP-20-4	35mm High Profile Sprocket 16 tooth 1 1/4" bore 1/4" key	2		
24	KEY-4-4-32	Shaft Key 1/4" x 2" Square Cut (1018)	2		
25	RLT-535-2210-RV	5" Flange Roller 2.2 WF 3.5 dia, 5/8" bore w/	4		

Inverted Spindle				
26	RLA-006-128	Bushing, 1/2" x 5/8" x 1.25	4	
27	RLA-006-078	Bushing 1/2" x 5/8" x .75"	4	
28	BR-062-RCJT	62 MM Housing, Two Bolt Flange	4	
29	BR-125-062	Bearing, 1 1/4 Fafnir tri-seal, 62mm OD	4	
30	SMV-SM	Spade Mount	1	
31	SMV-S	Socket for Spade Mount	1	
800	BC-1032-FS	10-32 x 1 1/4" bolts Flat Socket Head	16	
801	BC-F-35-32	35-32 High Profile Belt Clips @ pair	2	
802	BC-1032-LN	10-32 lock nuts	16	
803	BL-6-275-H	3/8-16 X 2 3/4 HEX CAP G5 ZC	2	
804	BL-6-LN	3/8 UNC FIN HEX LOCK NUT NE A563 GrA ZINC	2	
805	SHD-138	Shield, Motor Mount	2	30098001- HH-3300
806	SHD-3331	Shield, Shaft & Bearing, HH Fan, Cuc.	1	30098001- HH-3300

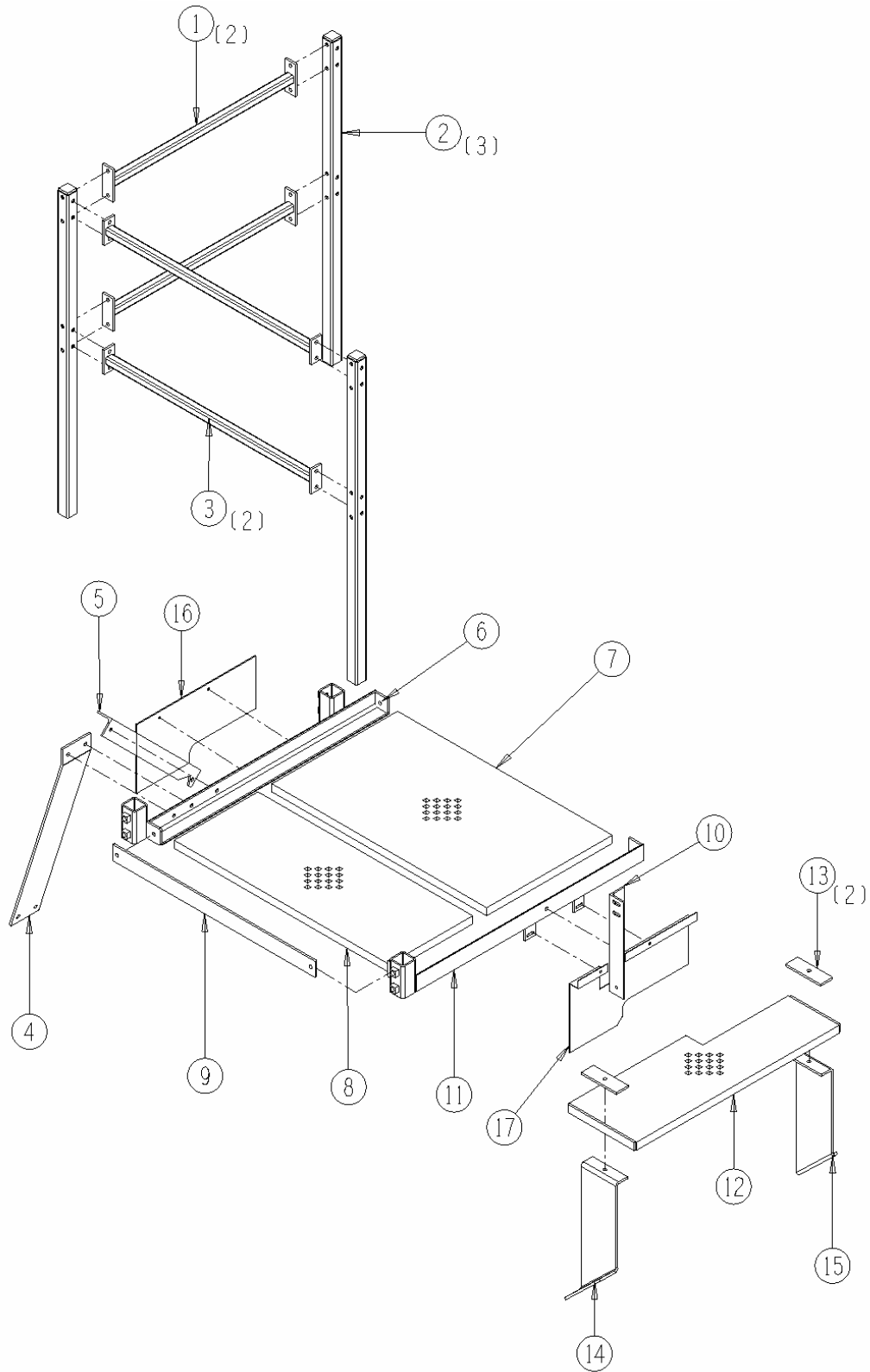
3006-7-5



3006-7-6 Decking Above Hedge Hog Assembly

<u>Ref</u>	<u>Part No.</u>	<u>Description</u>	<u>Parts – Assembly</u>	<u>Will Fit SN</u>	<u>Remarks</u>
1	POS-3863	Post, Handrail, Decking, Hedge Hog	2	30098001-	
2	POS-3861	Post, Supports, Handrail Mounts, HH	3	30098001-	
3	POS-3862	Post, Handrail, Decking, HH	2	30098001-	
4	SUP-3862	Support, Elevation, Hold Up, Rear Elev. To Deck	1	30098001-	
5	POS-3864	Decking, Support, Rear, Cross Brace	1	30098001-	
6	STD-3862	Stand, Decking Holder, Front, Cuc	1	30098001-	
7	STD-3865	Stand, Decking, Inside , Over Hedge Hog	1	30098001-	
8	STD-3864	Stand, Decking, Outside, Hedge Hog	1	30098001-	
9	STD-3860	Decking Holder, Angle Supports	1	30098001-	
10	POS-3865	Decking, Support, Front, Hedge Hog	1	30098001-	
11	STD-3863	Stand, Decking Holder, Rear, Cuc.	1	30098001-	
12	STD-3861	Stand, Decking, Elevaion Step, Hedge Hog	1	30098001-	
13	BAR-3861	Bar, Decking Holder, Elevation Deck Step	2	30098001-	
14	SUP-3863	Support, Right Side, Elevation Step	1	30098001-	
15	SUP-3864	Support, Left Side, Elev. Step	1	30098001-	
16	PL-3862	Plastic, Pickle Saver, Under Rear Decking	1	30098001-	
17	SHD-3862	Shield, Pickle Saver, Cross Panel, Cuc.	1		

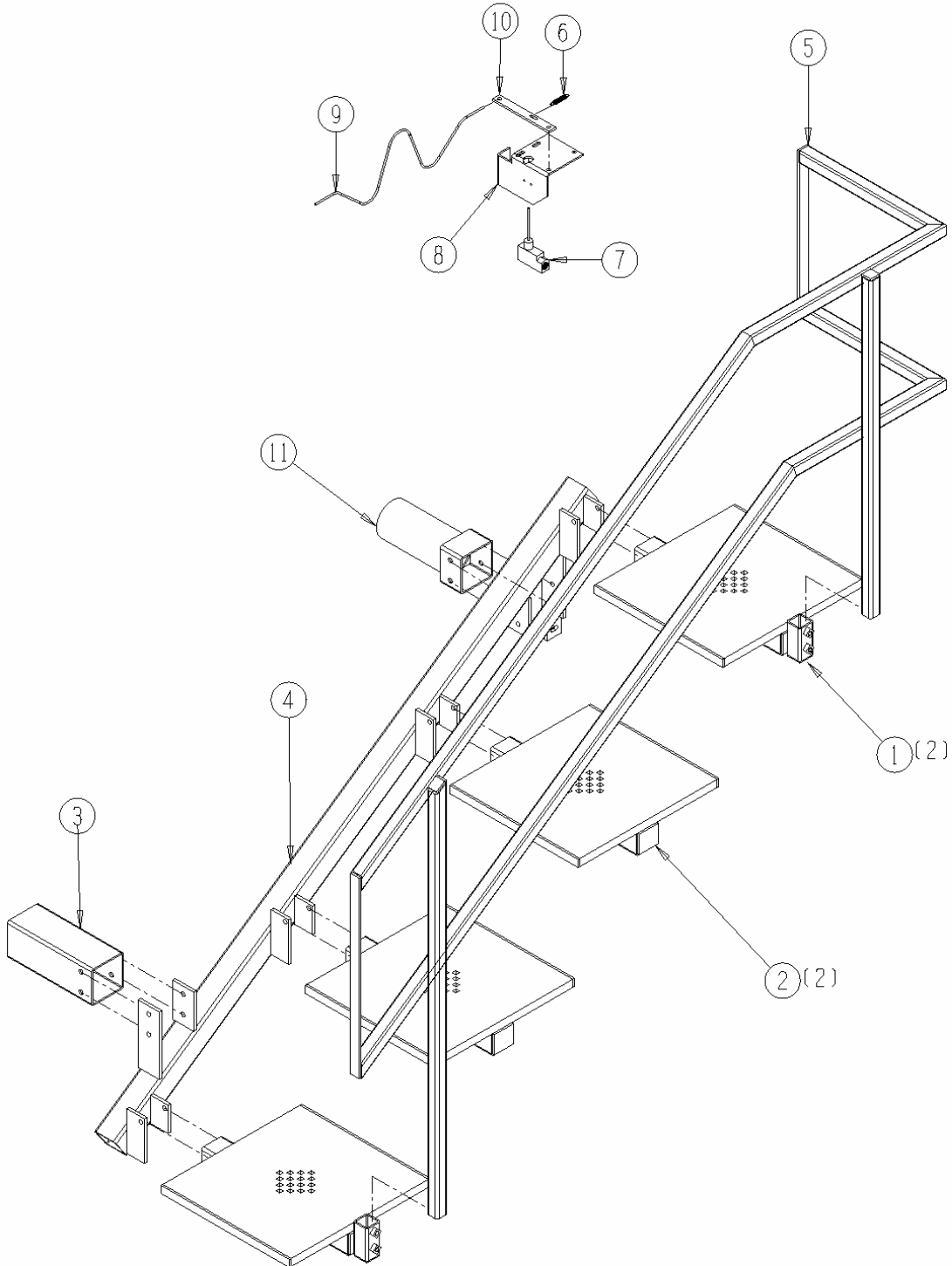
3006-7-6



3006-8-1 Elevation Stand Assembly

<u>Ref</u>	<u>Part No.</u>	<u>Description</u>	<u>Parts – Assembly</u>	<u>Will Fit SN</u>	<u>Remarks</u>
1	STD-3816	Stand, Top & Bottom Decking (Pickle)	2	30096001-	
2	STD-3815	Stand, Middle Decking (Pickle)	2	30096001-	
3	STD-3812	Stand, Decking Mount, Elevation (Pickle)	1	30096001-	
4	STD-3810	Stand, Top Sorting (Pickle)	1	30095001-	
5	STD-3803	Stand, Handrail Elevation, 3000 Cucumber	1		
6	SPG-9654	extension Spring for Horn Switch	1		
7	EL-6610	Horn Switch	1		
8	BRA-3825	Bracket, Horn Switch, Elevation (Pickle)	1	30096001-	
9	TRP-0006	Nylon Rope #6 @ foot	14		
10	195-1456	Horn Switch Bar	1	19501-	
11	STD-3813	Decking Mount, Cucumber Harvester	1		
100	BL-8-100-SQSS	1/2 x 1 Square Head Set Screw (USS)	4		

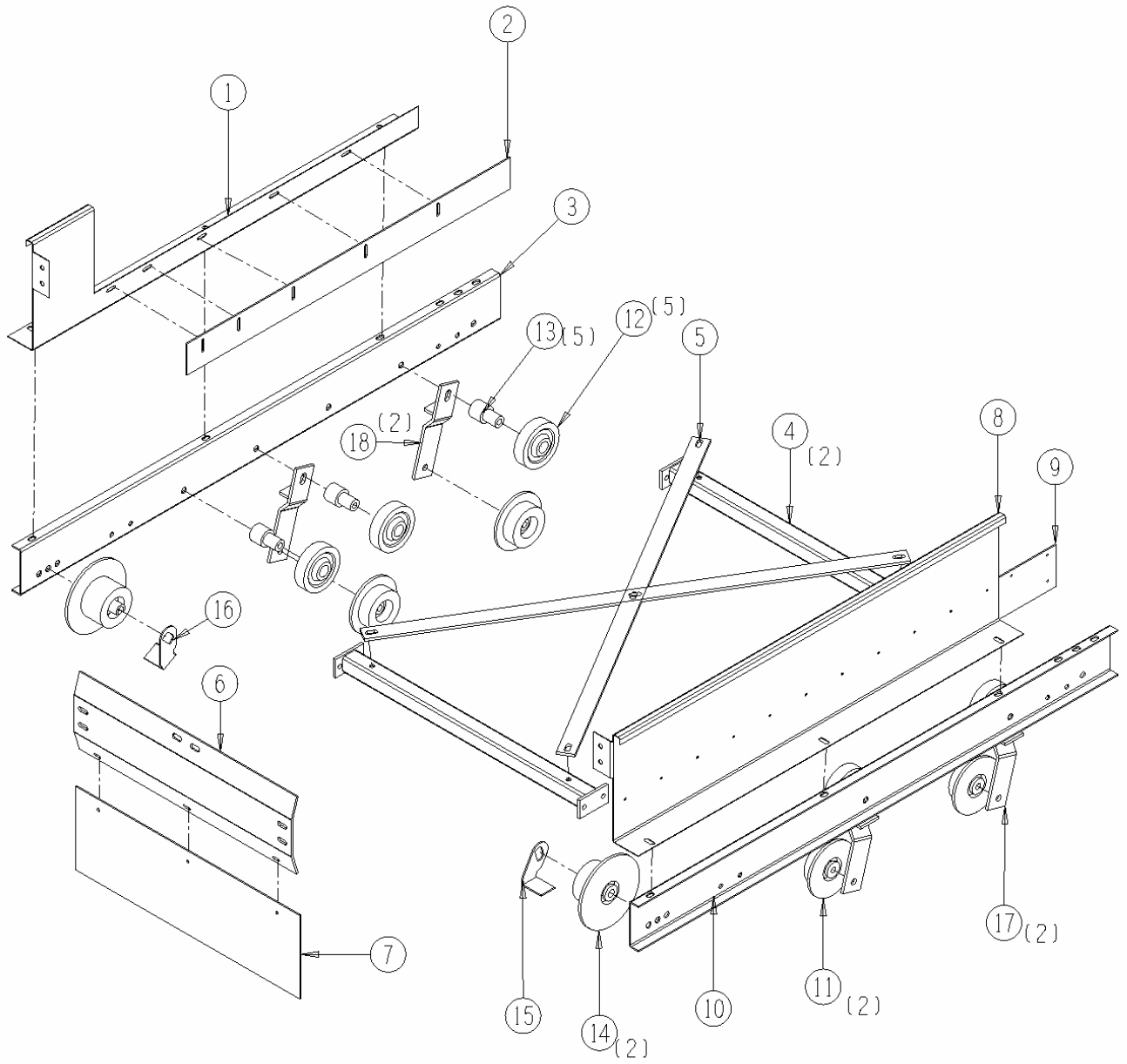
3006-8-1



3006-8-2 Lower Elevation Assembly

<u>Ref</u>	<u>Part No.</u>	<u>Description</u>	<u>Parts – Assembly</u>	<u>Will Fit SN</u>	<u>Remarks</u>
1	SHD-3811	Shield, Inner, Lower, Hedge Hog, Cuc.	1	30098001- HH-3300	
2	PL-3811	Shield, Plastic, Hedge Hog, Lower Elevation, Cuc.	1	30098001- HH-3300	
3	SID-3311	Panel, Inner, Bottom Flat Elevation, Hedge Hog	1	HH-3300	
4	BAR-9028	Bar, Cross Member, X Bracing, Elevation, Cuc.	2	30098001-	
5	BAR-3855	Bar, X-Bracing, Elevation, Cuc.	2	30098001-	
6	SUP-3861	Support, Rear Flat Section to Decking, Elevation, Cuc.	1	30098001-	
7	BT-3861	Belting, Lower Rear Elevation Flat Section	1	30098001- HH-3300	
8	SHD-3810	Shield, Outer, Lower, Hedge Hog, Elevation	1	30098001- HH-3300	
9	BT-3310	Belting, Outer, Flat Bottom Section, Elevation, Cuc., 98	1	30098001- HH-3300	
10	SID-3310	Panel, Outer, Bottom Flat Elevation, Hedge Hog	1	HH-3300	
11	RLT-535-128	Narrow Flange Roller 1.2 WF 3.5 dia, 1/2" Bore	4		
12	RLG-040-1016	4" Urethane Roller	5		
13	RLA-010-0108	Spindle / Standoff for Urethane Roller (heat treated)	5	19101-	
14	RLT-635-2210-SC	6 1/2" Flange Roller w/Shaft for Scraper 5/8" Bore	2		
15	RLA-3023-T	Straight Scraper, RH	1		
16	RLA-3024-T	Straight Scraper	1		
17	BRA-1938	Bracket, Lower Roller for Header Chain (R.H.)	2	192-101K	
18	BRA-1936	Bracket, Lower Roller for Header Chain (L.H.)	2		
19	RI-3-6-P	Pop Rivets 3/16 x 3/8 Domed, .375 head, ea.	11		

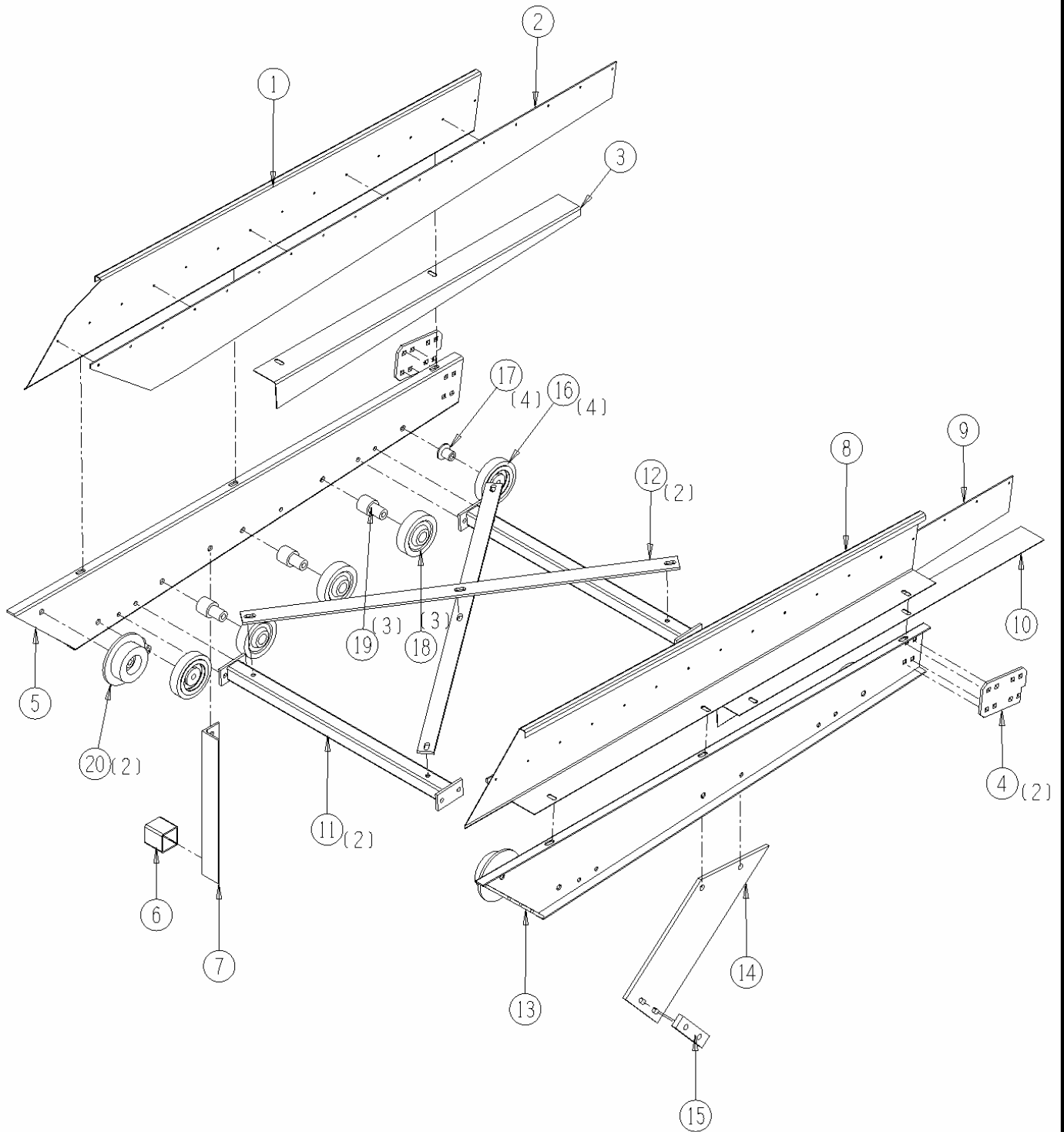
3006-8-2



3006-8-3 Lower Middle Elevation Assembly

<u>Ref</u>	<u>Part No.</u>	<u>Description</u>	<u>Parts – Assembly</u>	<u>Will Fit SN</u>	<u>Remarks</u>
1	SID-3856	Side, Inner Shield, Lower Section, Elevation	1	30098001- HH-3300	
2	BT-3317	Belting, Mid, Outer Elevation, Cuc	1	30098001-	
3	SHD-3317	Shield, Inner, Mid, Elevation, Pickle Saver	1	30098001- HH-3300	
4	BRA-3316	Bracket, Top, Mid, Panel Support, Elevation, Cuc.	2	30098001-	
5	SID-3317	Panel, Inner, Weldment, Lower Elevation, Hedge Hog	1	HH-3300	
6	SPA-3800	Spacer, Frame Post, Elevation (Pickle)	1	30095001-	
7	SUP-3812	Support, Angle, Mid, Elevation, Cuc.	1	30098001-	
8	SID-3855	Side, Outer, Shield, Lower Section, Elevation	1	30098001- HH-3300	
9	BT-3316	Belting, Middle Section, Elevation, Cuc., 98	1	30098001- HH-3300	
10	SHD-3316	Shield, Outer, Mid, Elevation, Pickle Saver	1	30098001- HH-3300	
11	BAR-9028	Bar, Cross Member, X Bracing, Elevation, Cuc.	2	30098001-	
12	BAR-3810	Bar, X-Bracing, Elevation, Cuc.	2	30098001-	
13	SID-3316	Side, Outer, Weldment, Hedge Hog	1	HH-3300	
14	SUP-3811	Support, Outer, Mid, Elevation, Cuc.	1	30098001-	
15	SPA-3811	Spacer, Mid, Elevation, Cuc.	1	30098001-	
16	RLR-040-108	4" Flat Roller	4		Changed to Urethane in 2006
17	RLA-000-118	Standoff, 1/2" X 1 1/8"	4		
18	RLG-040-1016	4" Urethane Roller	3		
19	RLA-010-0108	Spindle / Standoff for Urethane Roller (heat treated)	3	19101-	
20	RLT-535-128	Narrow Flange Roller 1.2 WF 3.5 dia, 1/2" Bore	4		
21	RI-3-6-P	Pop Rivets 3/16 x 3/8 Domed, .375 head, ea.	26		

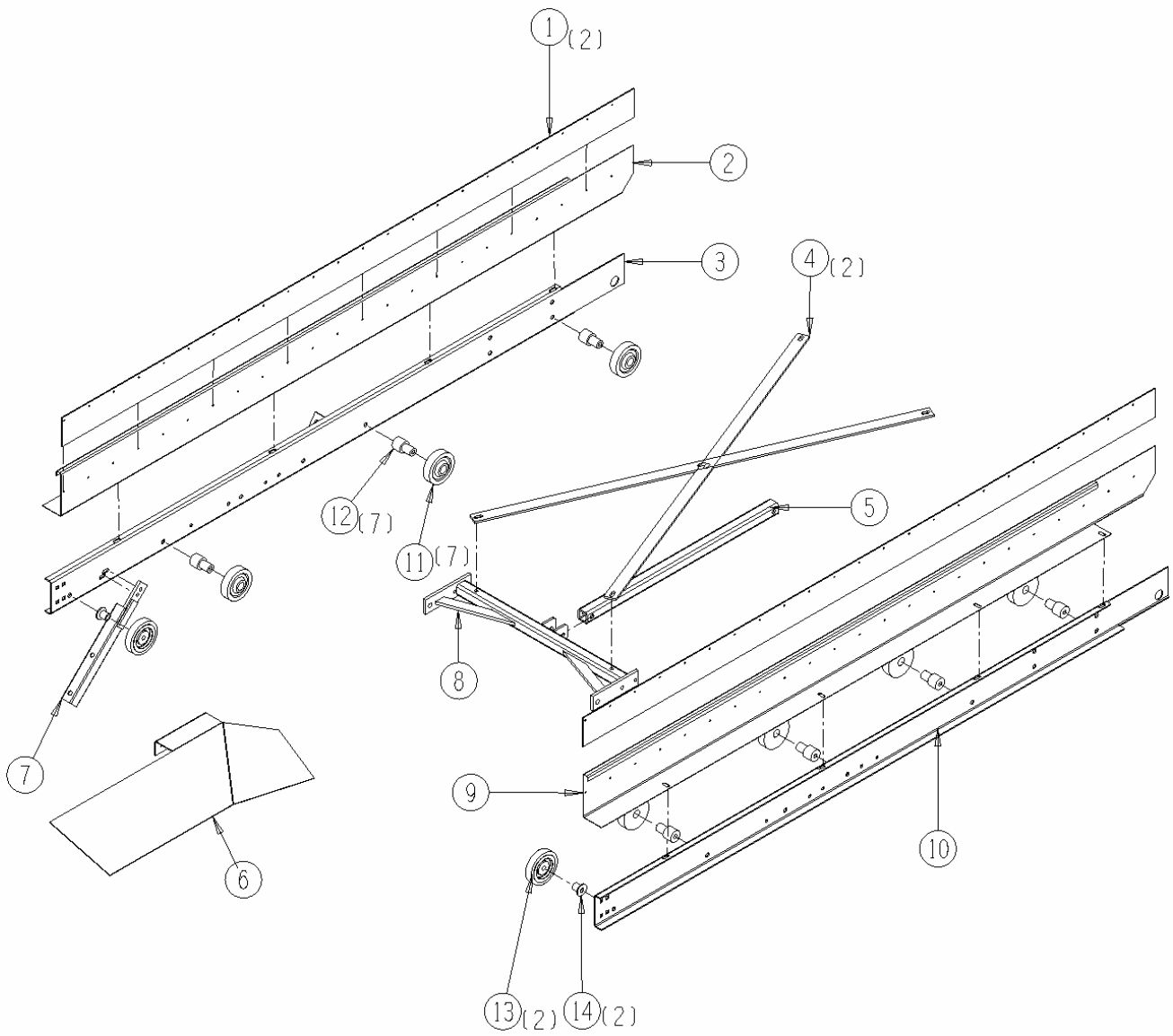
3006-8-3



3006-8-4 Upper Middle Elevation Assembly

<u>Ref</u>	<u>Part No.</u>	<u>Description</u>	<u>Parts – Assembly</u>	<u>Will Fit SN</u>	<u>Remarks</u>
1	BT-3851	Belting, Top Section, Elevation, Cuc., 98	2	30098001-	
2	SID-3853	Elevation Side (Pickle)	1	30098001- HH-3300	
3	SID-3828	Side, Upper, Inner Panel, Elevation	1	30098001-	
4	BAR-3825	Bar, X-Bracing, Elevation, Cuc.	2	30098001-	
5	SUP-3822	Support, Between Elev Cylinder Mounts, Cuc	1	30098001-	
6	SHD-3826	Shield, Shaker, Elevation, Motor&Belt,Cuc	1	30098001-	
7	SUP-3815	Support, Elevation, Mid, Cuc.	1	30098001- HH-3300	
8	SUP-3821	Cylinder Mount, Upper Elevation Section, Cuc.	1	30098001-	
9	SID-3851	Side, Elevation (Patch) (Pickle)	1	30098001- HH-3300	
10	SID-3826	Side, Upper, Outer, Elevation	1	30098001-	
11	RLG-040-1016	4" Urethane Roller	7		
12	RLA-010-0108	Spindle / Standoff for Urethane Roller (heat treated)	7	19101-	
13	RLR-040-108	4" Flat Roller	2		Changed to Urethane in 2006
14	RLA-000-118	Standoff, 1/2" X 1 1/8"	2		
15	RI-3-6-P	Pop Rivets 3/16 x 3/8 Domed, .375 head, ea.	45		

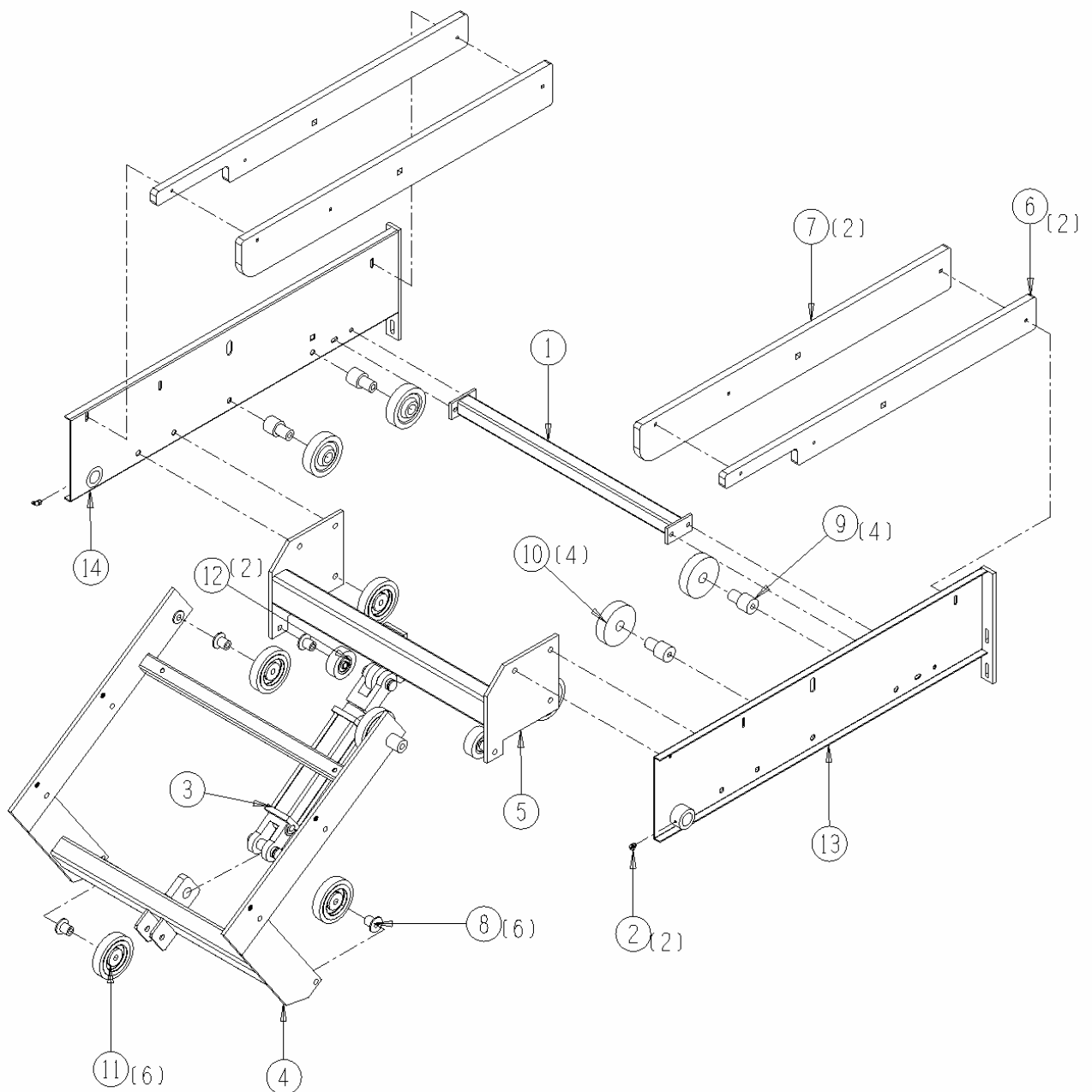
3006-8-4



3006-8-5 Outer Elevation Boom Assembly

<u>Ref</u>	<u>Part No.</u>	<u>Description</u>	<u>Parts – Assembly</u>	<u>Will Fit SN</u>	<u>Remarks</u>
1	BAR-9029	Bar, Cross Member, Elevation Boom, 3000	1		
2	GF-1428-65	Grease Fitting 1/4" x 28 65	2		
3	HC-200-0808	Hydraulic Cylinder 2" x 8" #8 SAE Ports	1	19201- 20095001-	Same as sliding hitch
4	MOU-3821	Mount, Cylinder, Lower Support, Elev., Cuc.	1	30098001-	
5	MOU-3831	Mount, Cylinder, Upper Elevation, Cuc.	1	30098001-	
6	PL-3813	Plastic, Spacer, Elevation Boom, 3000 Cuc.	2		
7	PL-3814	Plastic, Side Wall, Elevation Boom, 3000 Cuc.	2		
8	RLA-000-118	Standoff, 1/2" X 1 1/8"	2		
9	RLA-010-0108	Spindle / Standoff for Urethane Roller (heat treated)	2	19101-	
10	RLG-040-1016	4" Urethane Roller	2		
11	RLR-040-108	4" Flat Roller	6		Changed to Urethane in 2006
12	RLT-027-108	Roller 2.75" dia. 1/2" Bore	2		2755C1X (Old Number, Single Bearing)
13	SID-3811	Side, Outer/Right, Elevation Boom, 3000 Cuc.	1		
14	SID-3813	Side, Inner/Left, Elevation Boom, 3000 Cuc.	1		

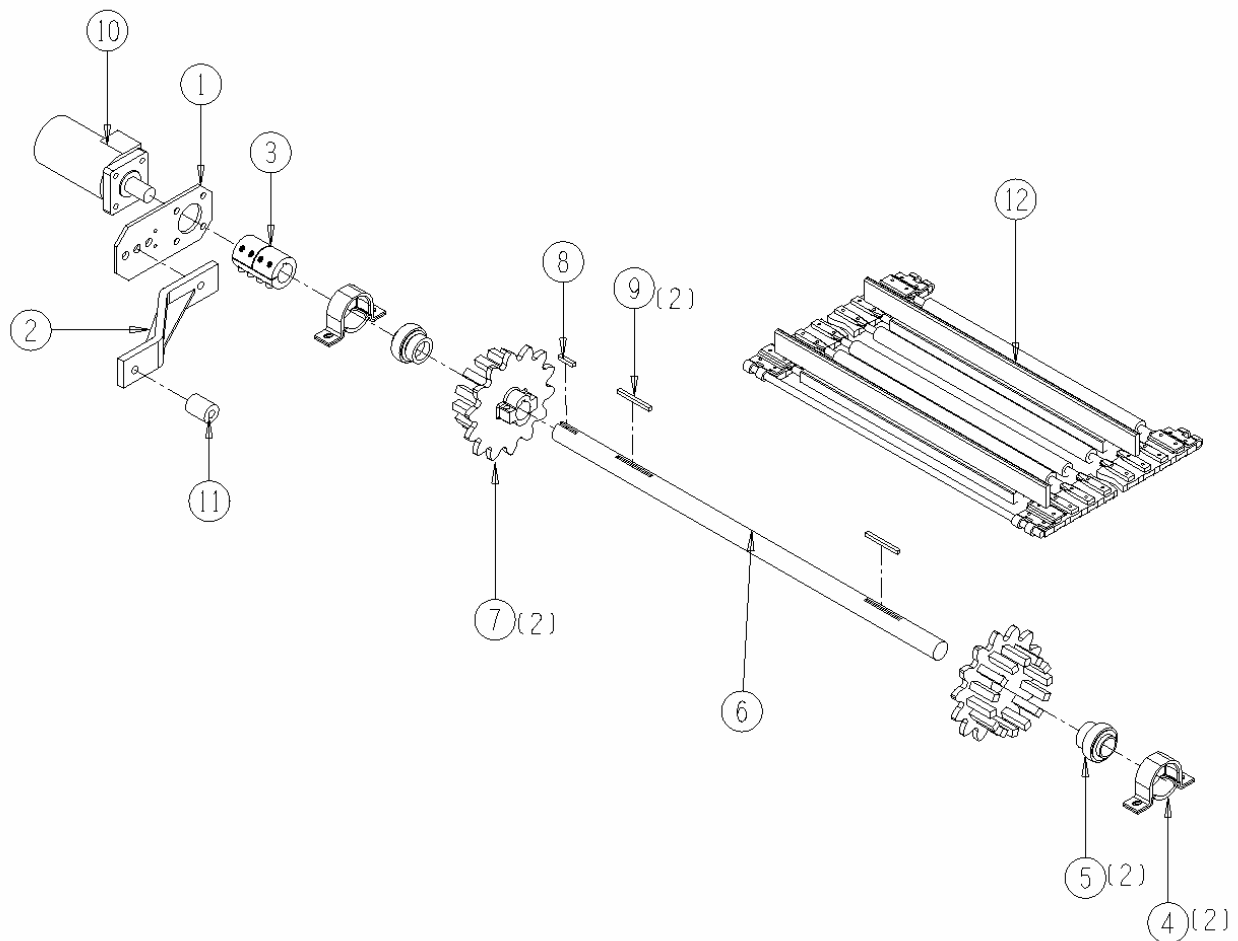
3006-8-5



3006-8-6 Elevation Drive Assembly

<u>Ref</u>	<u>Part No.</u>	<u>Description</u>	<u>Parts – Assembly</u>	<u>Will Fit SN</u>	<u>Remarks</u>
1	MOU-8505	Mount, Motor, w/Torque Arm, HC290	1		
2	BRA-8451	Bracket, Torque Arm, Motor Stop, HC290	1		
3	CPS-6060	Steel Coupler (offcenter) 1 1/4" x 1"	1		
4	BR-062-MPB	Stamped Bearing Housing for 1 1/4" bearing	2		
5	BR-125-062	Bearing, 1 1/4 Fafnir tri-seal, 62mm OD	2		
6	SFT-3798	Shaft, Chain Drive, Elevation, Cuc.	1	30098001-	
7	SP-3514MX-20-4	35mm High Profile Mixer Sprocket, 1 1/4" Bore, 1/4" Key	2		
8	KEY-4-4-20	Shaft Key 1/4" x 1 1/4"	1		
9	KEY-4-4-44	Shaft Key 1/4" x 2 3/4"	2		
10	HM-204-TC	TCI Motor	1		
12	BC-7-2635-338AC	Belted Chain, Elevation, Cucumber	1		
800	BC-1032-FS	10-32 x 1 1/4" bolts Flat Socket Head	16		
800	BC-1032-LN	10-32 lock nuts	16		
800	BC-7-26-CNAC	Connecting Rod 11mm x 26" Air Cushion	1		
800	BC-F-35-20	35-20 High Profile Belt Clips @ pair	2		

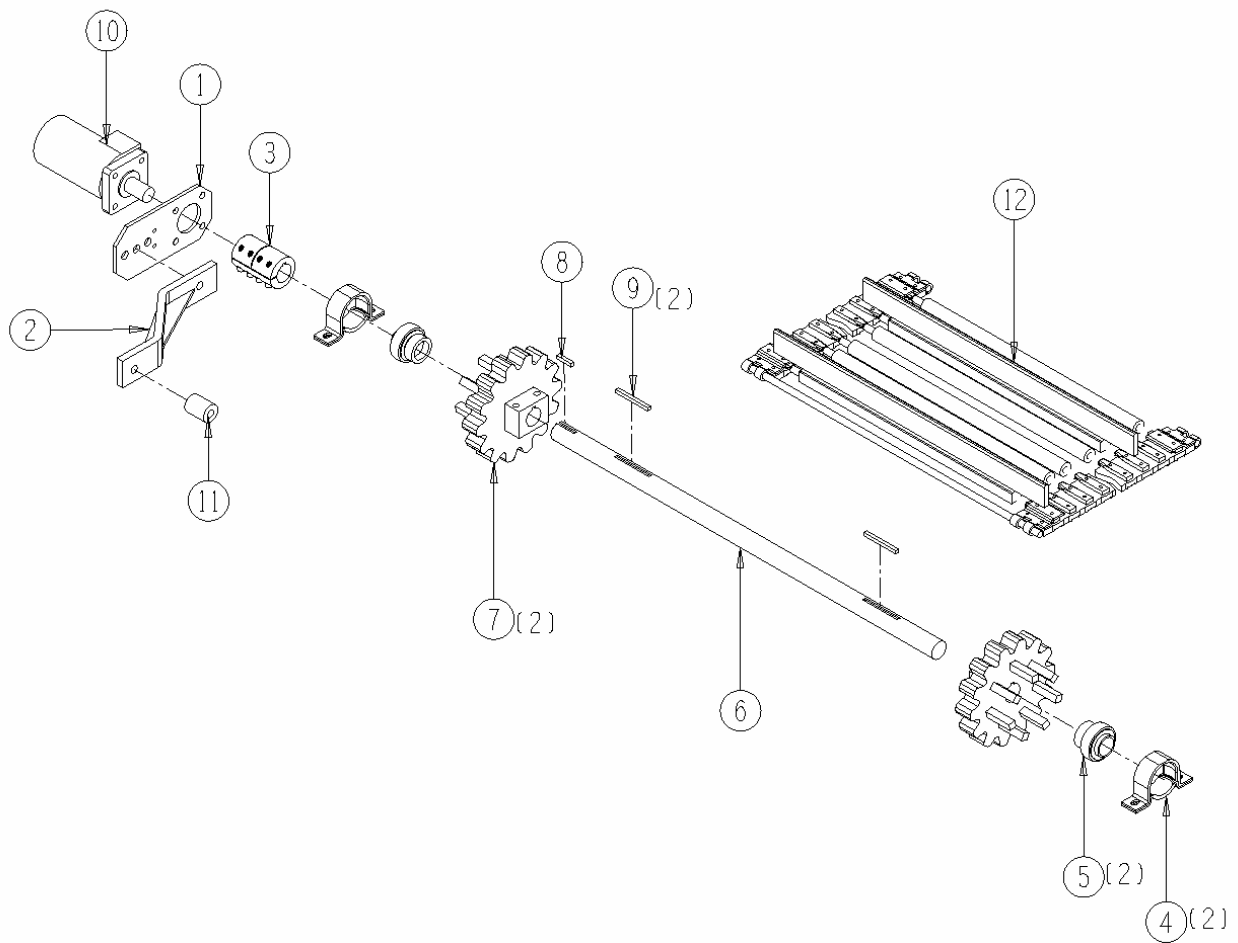
3006-8-6



3006-8-7 Optional Elevation 36mm Drive Assembly

<u>Ref</u>	<u>Part No.</u>	<u>Description</u>	<u>Parts – Assembly</u>	<u>Will Fit SN</u>	<u>Remarks</u>
1	MOU-8505	Mount, Motor, w/Torque Arm, HC290	1		
2	BRA-8451	Bracket, Torque Arm, Motor Stop, HC290	1		
3	CPS-6060	Steel Coupler (offcenter) 1 1/4" x 1"	1		
4	BR-062-MPB	Stamped Bearing Housing for 1 1/4" bearing	2		
5	BR-125-062	Bearing, 1 1/4 Fafnir tri-seal, 62mm OD	2		
6	SFT-3798	Shaft, Chain Drive, Elevation, Cuc.	1	30098001-	
7	SPU-3614-20-4	Belted Chain Sprocket, 36mm x 14 tooth, Urethane	2		
8	KEY-4-4-20	Shaft Key 1/4" x 1 1/4"	1		
9	KEY-4-4-44	Shaft Key 1/4" x 2 3/4"	2		
10	HM-204-TC	TCI Motor	1		
11	SPA-0063	Spacer, Motor Stop, Cucumber Harvester	1	SPA-0063	
12	BC-7-2636-345AC	36mm Elevation Chain w/extension, 3000 Cuc.	1		
800	BC-1032-FS	10-32 x 1 1/4" bolts Flat Socket Head	16		
800	BC-1032-LN	10-32 lock nuts	16		
800	BC-7-26-CNAC	Connecting Rod 11mm x 26" Air Cushion	1		
800	BC-F-36-20	F Connecting Clips 36-20 @ pair	2		

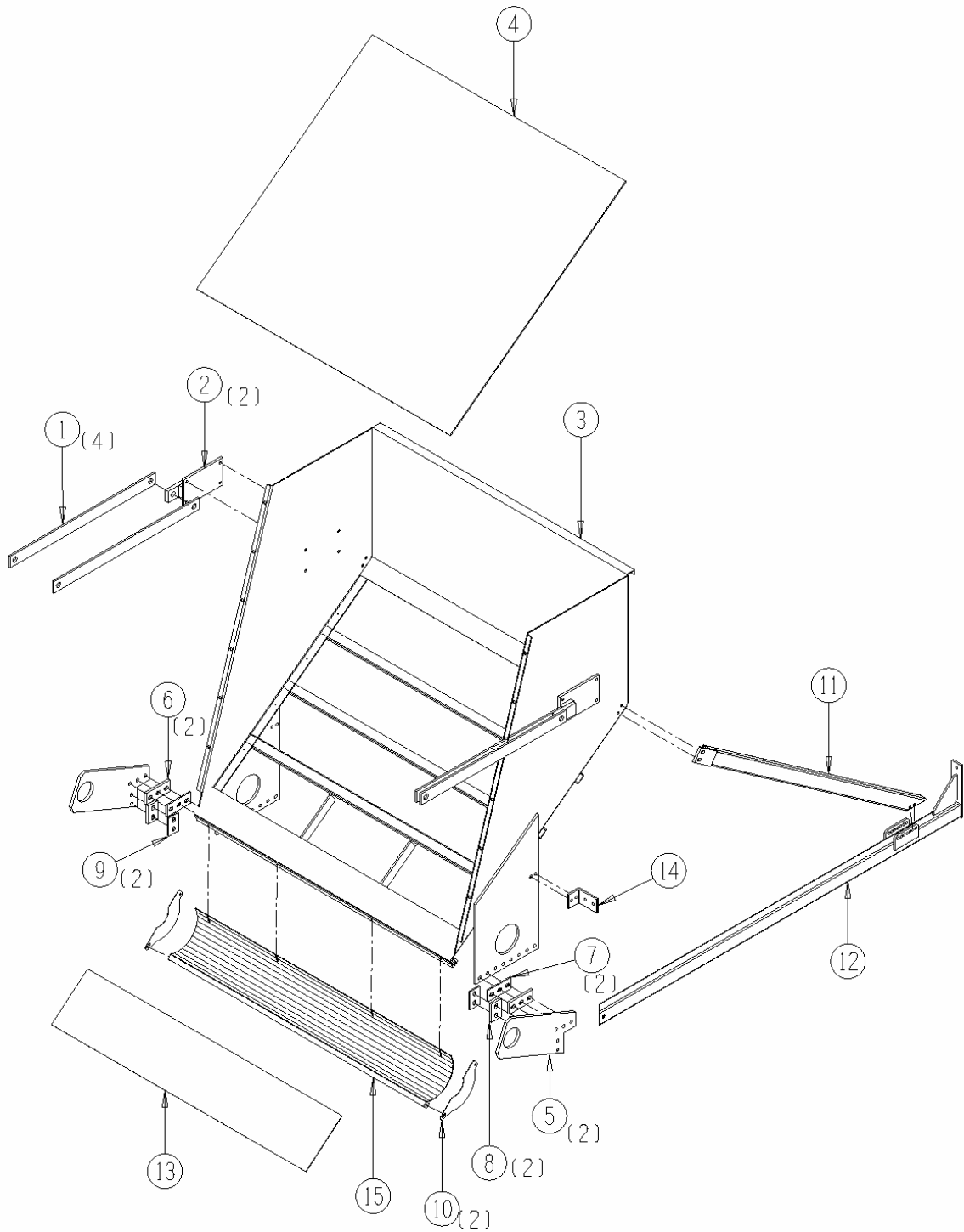
3006-8-7



3006-9-1 Bin Assembly

<u>Ref</u>	<u>Part No.</u>	<u>Description</u>	<u>Parts – Assembly</u>	<u>Will Fit SN</u>	<u>Remarks</u>
1	BAR-3704	Bar, Cylinder Mount, Bin (Pickle)	4	30096001-	
2	MOU-3704	Mount, Bar Support, Bin (Pickle)	2	30096001-	Used with BAR-3704
3	BIN-3704	Bin, Inner Frame (Pickle)	1	30095001-	
4	PL-3740	Plastic, Bin (Pickle)	1	30095001-	
5	MOU-3700	Mount, Lower Extension, Bin (Pickle)	2	30095001-	
6	SPA-3701	Spacer, Pivot Mount, Bin (Pickle)	2	30096001-	
7	SPA-3702	Spacer, Pivot Mount, Bin (Pickle)	2	30096001-	
8	SPA-3703	Spacer, Pivot Mount, Bin (Pickle)	2	30096001-	
9	SPA-3706	Spacer, Pivot Mount, Bin (Pickle)	2	30096001-	
10	SHD-3704	Shield, Valve Deflector, Bin Frame (Pickle)	2	30096001-	
11	MOU-3635	Mount, Stabilizer, Bin & Header (Pickle)	1	30096001-	
12	MOU-3637	Mount, Stabilizer, Bin & Header (Pickle)	1	30096001-	
13	BT-3704	Belting, Pickle Saver, Bin Valve, Cuc	1	30095001-	
14	BRA-3637	Bracket, Support, Bin & Sec Header Frame, Cuc	1		
15	BIN-0027	Bin Valve Replacement	1	KIT-0027	
16	HC-1130A	Hyd Cyl Pin 1" x 3 1/4" (Between Grooves	4		
17	RI-3-12-SS	SS Pop Rivets 3/16 x 3/4 Domed, .625 head , ea.	16		

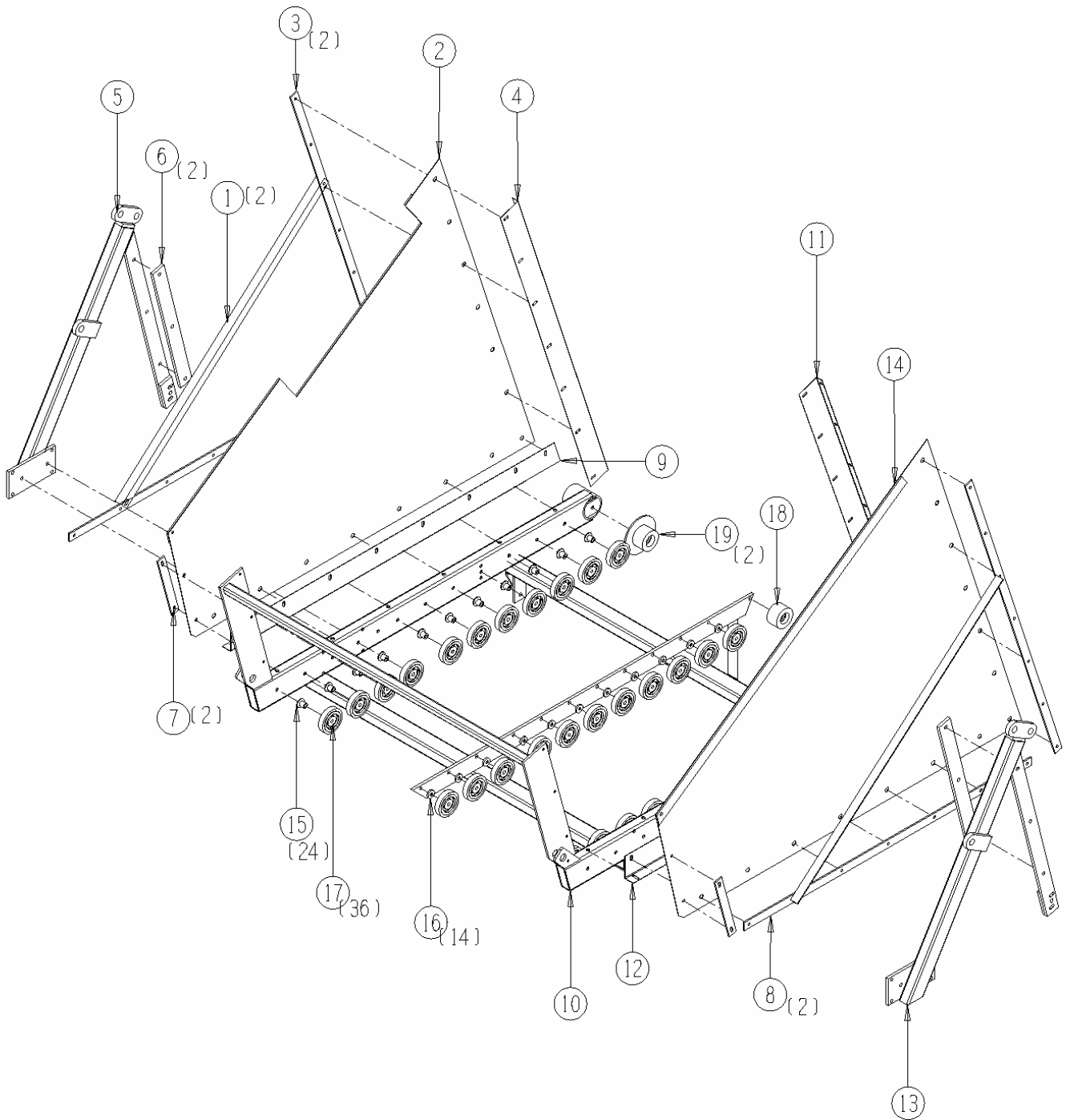
3006-9-1



3006-9-2 Inner Bin Discharge Assembly

<u>Ref</u>	<u>Part No.</u>	<u>Description</u>	<u>Parts – Assembly</u>	<u>Will Fit SN</u>	<u>Remarks</u>
1	BRA-3722	Bracket, Side Mount, Inner Bin (Pickle)	2	30096001-	
2	SID-3720	Side, Outer Rear Bin (Pickle)	1	30095001-	
3	BAR-3722	Bar, Inner Sides Support, Bin, Cucumber	2	30096001-	
4	SUP-3720	Support, Inner Rear Side, Bin Frame, Cucumber	1	30096001-	
5	MOU-3732	Mount, Bin Cylinder (Pickle)	1	30095001-	
6	SUP-3730	Support, Cylinder Mount, Bin (Pickle)	2	30096001-	
7	BAR-3721	Bar, Side Panel Support, Inner Bin (Pickle)	2	30096001-	
8	BAR-3720	Bar, Cylinder Support Bin (Pickle)	2	30095001-	
9	MOU-3720	Mount, Inner Rear Side, Bin (Pickle)	1	30095001-	
10	BIN-3720	Bin, Outer (Pickle)	1	30095001-	
11	SUP-3722	Support, Inner Front Side, Bin Frame, Cucumber	1	30096001-	
12	MOU-3722	Mount, Inner Front Side, Bin (Pickle)	1	30095001-	
13	MOU-3730	Mount, Bin Cylinder (Pickle)	1	30095001-	
14	SID-3722	Side, Outer Front Bin (Pickle)	1	30095001-	
15	RLA-000-118	Standoff, 1/2" X 1 1/8"	24		
16	RLA-000-028	Washer/Spacer	14	11001-	
17	RLR-040-108	4" Flat Roller	34		Changed to Urethane in 2006
18	RLT-035-228	Roller 3.5 dia x 2.2 x 1/2" bore, no flange	1		
19	RLT-635-228	6 1/2" Flange Roller 2.2 WF 3.5 dia, 1/2" bore	2		

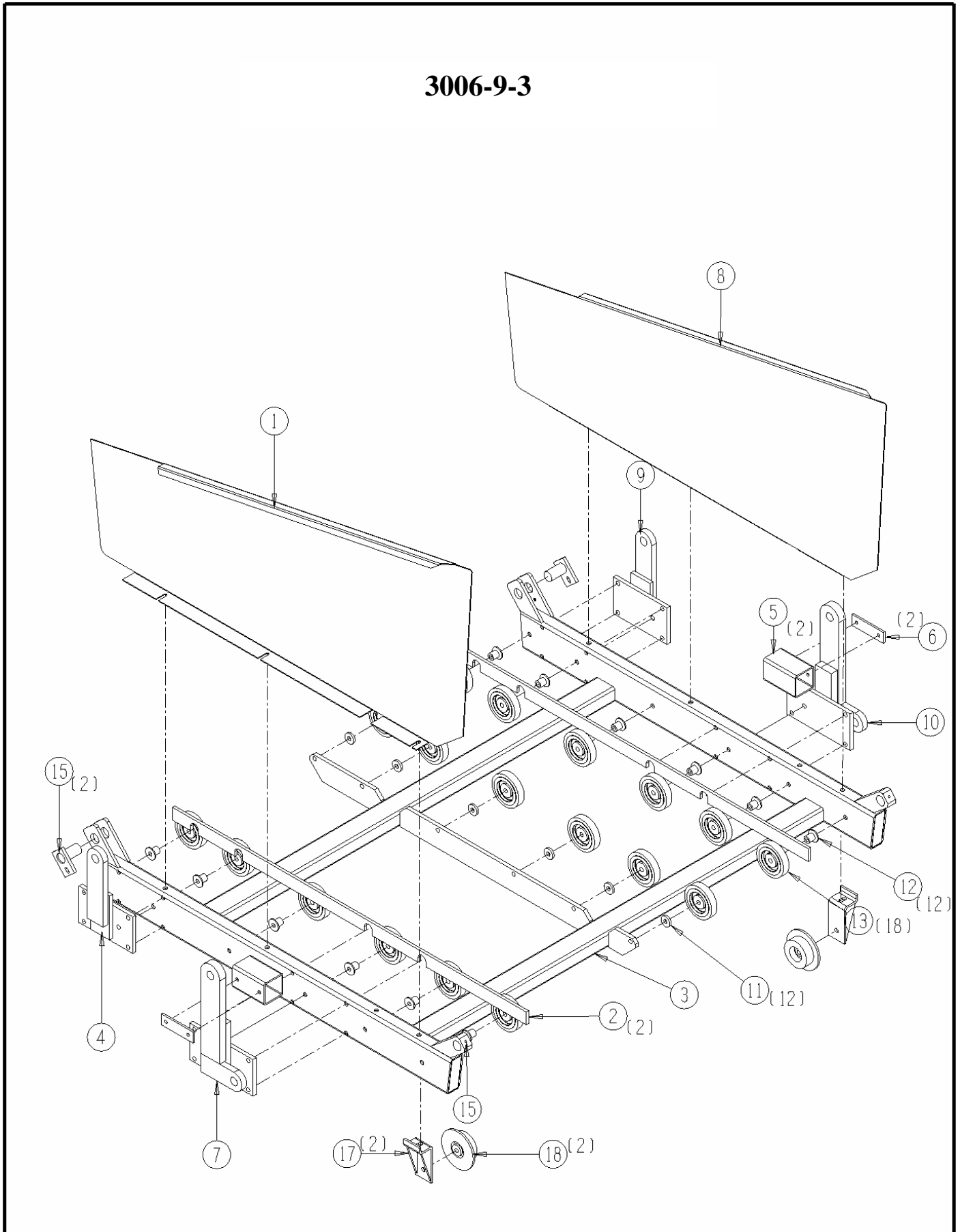
3006-9-2



3006-9-3 Middle Bin Discharge Assembly

<u>Ref</u>	<u>Part No.</u>	<u>Description</u>	<u>Parts – Assembly</u>	<u>Will Fit SN</u>	<u>Remarks</u>
1	SID-3727	Side, Middle Extension, Bin (Pickle)	1	30096001-	
2	PL-3725	Plastic, Cucumber Keeper, Middle Bin (Pickle)	2	30096001-	
3	BIN-3725	Bin, Middle Extension (Pickle)	1	30096001-	
4	MOU-3728	Mount, Cylinder Bin, Rear, Middle Extension (Pickle)	1	30096001-	
5	SPA-3725	Spacer, Support Block, Middle Bin (Pickle)	2	30096001-	
6	BAR-3725	Bar, Support Block, Middle Bin (Pickle)	2	30096001-	
7	MOU-3725	Mount, Cylinder, Mid-Extension of Front Bin (Pickle)	1	30095001-	
8	SID-3725	Side, Middle Extension, Bin (Pickle)	1	30096001-	
9	MOU-3729	Mount, Cylinder Bin, Front, Mid-Extension (Pickle)	1	30096001-	
10	MOU-3727	Mount, Cylinder, Mid-Extension of Rear Bin (Pickle)	1	30095001-	
11	RLA-000-028	Washer/Spacer	12	11001-	
12	RLA-000-118	Standoff, 1/2" X 1 1/8"	12		
13	RLR-040-108	4" Flat Roller	18		Changed to Urethane in 2006
14	RI-3-7-P	Pop Rivet, .375 Domed head 3/16 x 1/2	14		
15	PIN-3725	Pin, Bin Extension (Pickle)	2	30095001-	Replaces PIN-3720
16	GF-1428	Grease Fitting 1/4" x 28 straight	2		
17	MOU-3750	Mount, Roller Holder, Outer Bin (Pickle)	2	30096001-	
18	RLT-535-128	Narrow Flange Roller 1.2 WF 3.5 dia, 1/2" Bore	2		
100	BL-6-100-H	3/8 UNC X 1 HH C/S BOLT GR5 ZINC	2		
101	BL-6-275-H	3/8-16 X 2 3/4 HEX CAP G5 ZC	4		
102	BL-6-575-H	3/8-16 X 5 3/4 HEX CAP G5 ZC	8		
103	BL-6-FW	3/8 USS FW ZC	16		
104	BL-6-LN	3/8 UNC FIN HEX LOCK NUT NE A563 GrA ZINC	12		
105	BL-6-LW	3/8 SPLIT LW ZC	2		
106	BL-6-SW	3/8 SAE FW ZC	10		
107	BL-8-300-H	1/2-13 X 3 HEX CAP G5 ZC	26		
108	BL-8-500-H	1/2-13 X 5 HEX CAP G5 ZC	12		
109	BL-8-LN	1/2-13 HEX LOCK NUT NYLON INSERT ZC	38		
110	BL-8-SW	1/2 SAE FW ZC	76		

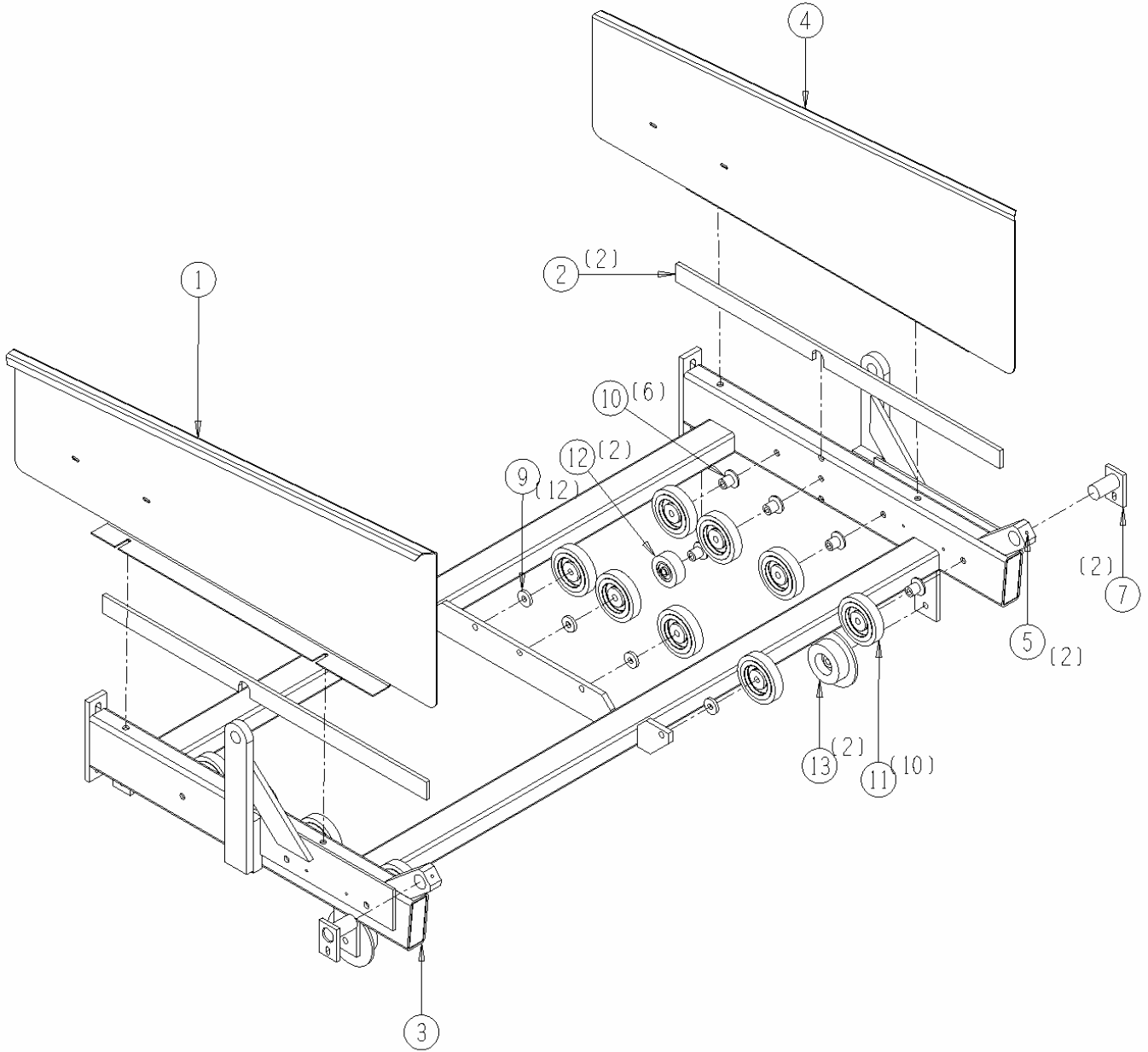
3006-9-3



3006-9-4 Outer Bin Discharge Assembly

<u>Ref</u>	<u>Part No.</u>	<u>Description</u>	<u>Parts – Assembly</u>	<u>Will Fit SN</u>	<u>Remarks</u>
1	SID-3752	Side, Outer Extension Bin (Pickle)	1	30096001-	
2	PL-3750	Plastic, Cucumber Keeper, Outer Bin (Pickle)	2	30096001-	
3	BIN-3750	Bin, Outer Extension	1	30096001-	Replaces BIN-3760
4	SID-3750	Side, Outer Extension Bin, Back (Pickle)	1	30096001-	
5	GF-1428	Grease Fitting 1/4" x 28 straight	2		
7	PIN-3725	Pin, Bin Extension (Pickle)	2	30095001-	Replaces PIN-3720
8	RI-3-6-P	Pop Rivets 3/16 x 3/8 Domed, .375 head, ea.	10		
9	RLA-000-028	Washer/Spacer	12	11001-	
10	RLA-000-118	Standoff, 1/2" X 1 1/8"	6		
11	RLR-040-108	4" Flat Roller	10		Changed to Urethane in 2006
12	RLT-027-108	Roller 2.75" dia. 1/2" Bore	2		2755C1X (Old Number, Single Bearing)
13	RLT-535-128	Narrow Flange Roller 1.2 WF 3.5 dia, 1/2" Bore	2		
100	BL-6-575-H	3/8-16 X 5 3/4 HEX CAP G5 ZC	4		
101	BL-6-FW	3/8 USS FW ZC	8		
102	BL-6-LN	3/8 UNC FIN HEX LOCK NUT NE A563 GrA ZINC	4		
103	BL-6-LW	3/8 SPLIT LW ZC	2		
104	BL-6-SW	3/8 SAE FW ZC	2		
105	BL-8-250-H	1/2-13 X 2 1/2 HEX CAP G5 ZC	4		
106	BL-8-300-H	1/2-13 X 3 HEX CAP G5 ZC	2		
107	BL-8-500-H	1/2-13 X 5 HEX CAP G5 ZC	6		
108	BL-6-100-H	3/8 UNC X 1 HH C/S BOLT GR5 ZINC	2		
109	BL-8-SW	1/2 SAE FW ZC	24		
110	BL-8-LN	1/2-13 HEX LOCK NUT NYLON INSERT ZC	12		

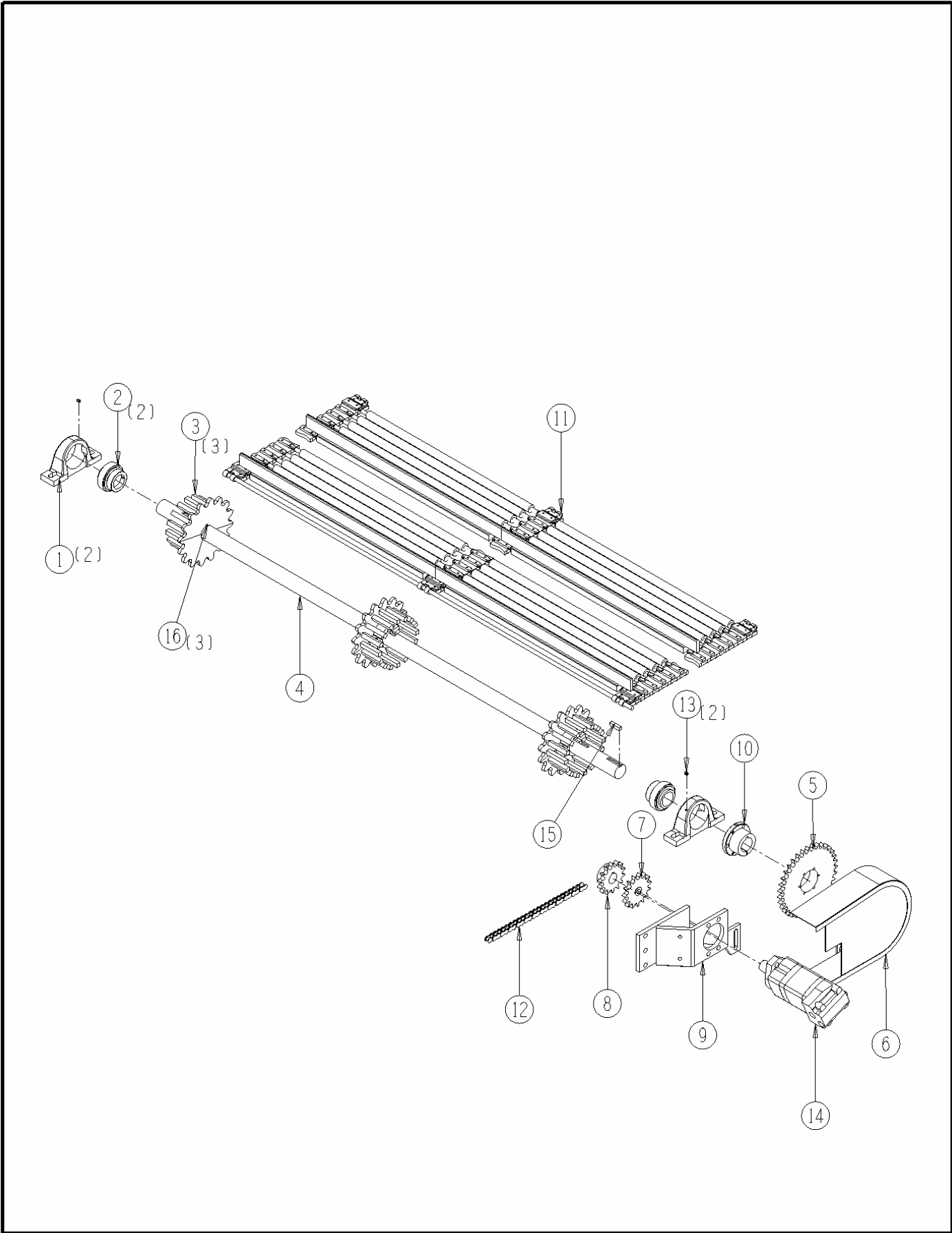
3006-9-4



3006-9-5 Bin Discharge Drive Shaft Assembly

<u>Ref</u>	<u>Part No.</u>	<u>Description</u>	<u>Parts – Assembly</u>	<u>Will Fit SN</u>	<u>Remarks</u>
1	BR-085-RAK	Bearing Housing 85 mm	2		
2	BR-175-085	Fafnir Bearing 1 3/4 Tri Seal	2		
3	SP-3516-MX-28-6	35MM Hi Profile Mixer Sprocket 1 3/4 bore 3/8 Key	3		
4	SFT-3800	Shaft, Discharge, Bin (Pickle)	1	30095001-	
5	SP-60SK35	Sprocket, #60, 35 tooth	1	19101	
6	SHD-3755	Shield, Drive Chain, Discharge (Pickle)	1	30096001-	
7	SP-6015-T	Idler, # 60 Roller Chain Adjuster	1	19201	
8	SP-60B14-20-5	Sprocket, #60, 14 tooth, 1.25" bore	1		191-116 Old P/N Not used '91 to '93 except on machines without gathering chains. Used on all machines upgraded with direct drive gathering chin kits.
9	MOU-3755	Mount, Drive Motor, Bin Discharge (Pickle)	1	30096001-	Replaces MOU-3810
10	PU-SK-28	Bushing, SK x 1 3/4"	1	19101	
11	BC-7-6435-270AC	Bin Box Chain	1	30096001-	
12	CH-60H-53	Roller Chain, 53 pitches #60H Bin Chain Drive(Pickle)	1		
13	GF-1428	Grease Fitting 1/4" x 28 straight	2		
14	HM-1228-TC	TCI Motor	1		Replaces HM-1228-CH, And HM-188R
15	KEY-6-6-24	Keystock 3/8" x 3/8" x 1 1/2" Square Cut (1018)	1		
16	KEY-6-6-40	Keystock 3/8" x 3/8" x 2 1/2" Square Cut (1018)	3		
100	BL-8-N	1/2-13 HEX FIN NUTS ZC	5		
101	BL-4-075-H	1/4 UNC X 3/4 HH C/S BOLT GR5 ZINC	2		
102	BL-4-FW	1/4 USS FW ZC	2		
103	BL-4-LN	1/4-20 HEX LN NE ZC	2		
104	BL-6-150-H	3/8-16 X 1 1/2 HEX CAP G5 ZC	4		
105	BL-6-FW	3/8 USS FW ZC	8		
106	BL-6-LN	3/8 UNC FIN HEX LOCK NUT NE A563 GrA ZINC	4		
107	BL-8-150-H	1/2 UNC X 1 1/2 HH C/S BOLT GR5 ZINC	2		
108	BL-8-225-C	1/2 UNC X 2 1/4 CARRIAGE BOLT GR5 ZINC	4		
109	BL-8-250-C	1/2 UNC X 2 1/2 CARRIAGE BOLT GR5 ZINC	1		
110	BL-8-FW	1/2 USS FW ZC	5		
111	BL-8-LW	1/2 SPLIT LW ZC	5		
112	BL-8-SW	1/2 SAE FW ZC	9		
113	BL-8-LN	1/2-13 HEX LOCK NUT NYLON INSERT ZC	2		
114	BC-1032-FS	10-32 x 1 1/4" bolts Flat Socket Head	24		

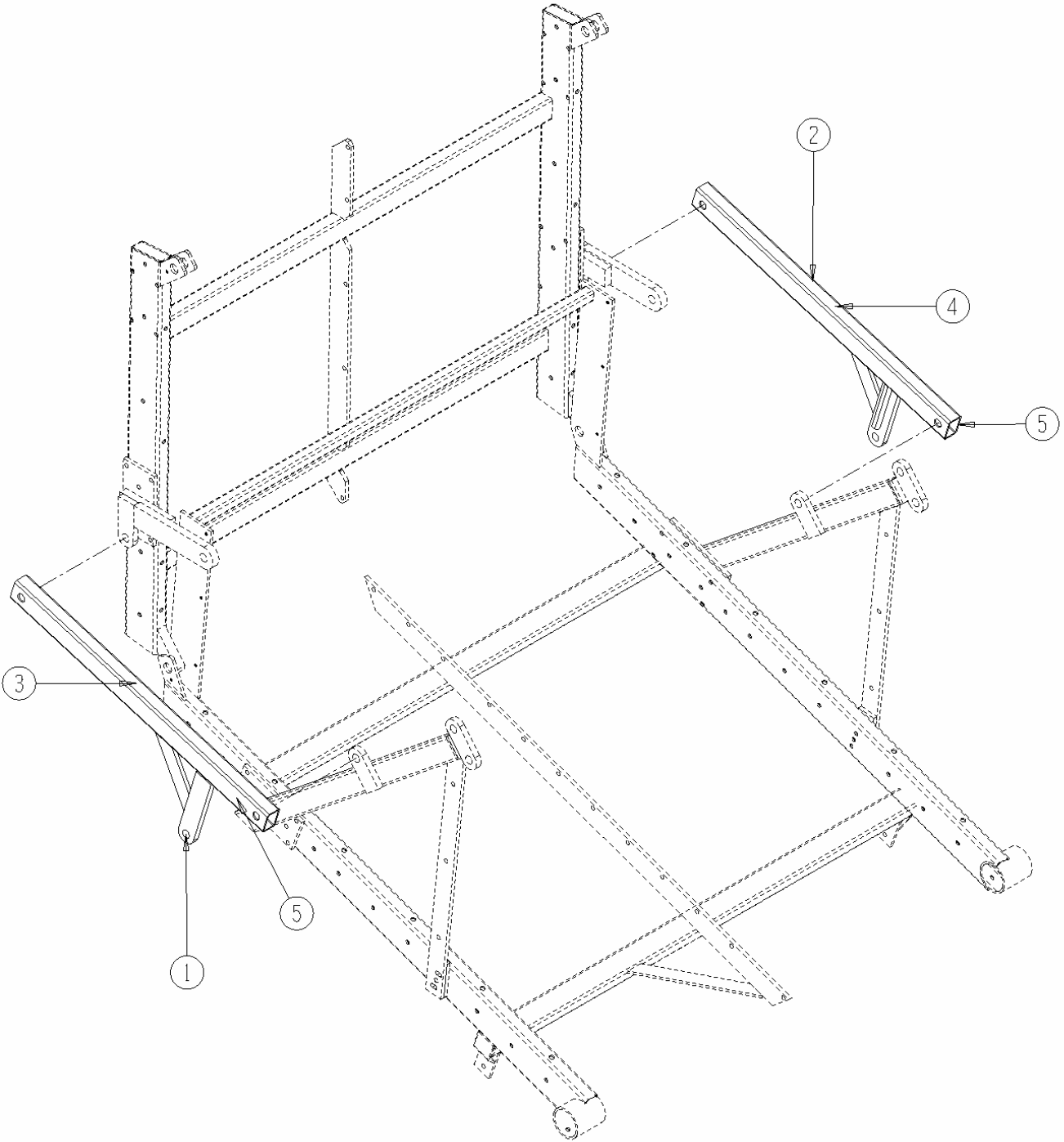
115	BC-F-35-32	35-32 High Profile Belt Clips @ pair	3
116	BC-1032-LN	10-32 lock nuts	24
117	BC-7-64-CNAC	Connecting Rod for Bin Box Chain	1



3006-9-6 Truck Transport Bars

<u>Ref</u>	<u>Part No.</u>	<u>Description</u>	<u>Parts – Assembly</u>	<u>Will Fit SN</u>	<u>Remarks</u>
1	MOU-3740	Mount, Cylinder, Folding Bin (Pickle)	1	30095001-	
2	MOU-3742	Mount, Cylinder, Folding Bin (Pickle)	1	30095001-	
3	DC-3022	Decal, "Front Top", Black on Yellow, 1"x1.75"	1		
4	DC-3023	Decal, "Rear Top", Black on Yellow, 1"x1.5"	1		
5	DC-3024	Decal, "Harvester Side", black on yellow, 1"x3"	2		
100	BL-16-350H	1" x 3 1/2" Gr 5 HH Bolt Zinc Coated	4		
101	BL-16-JN	1 UNC FIN HEX JAM NUT A563 GrA ZINC	4		

3006-9-6



3006-10-1 Hydraulics From Relief Valves

<u>Ref</u>	<u>Part No.</u>	<u>Description</u>	<u>Parts – Assembly</u>	<u>Will Fit SN</u>	<u>Remarks</u>
0	A-6408-8	8 SAE Plug	2		
0	ACP-32	2" Black Pipe Cap	1		
0	BAR-2011	Bar, Security Copper Wire Seal	4		relief lock
0	CL-88	6" Gear Clamp	7		
0	H10-110-8MP-8MP	5/8 in hose 1/2MP x 1/2MP x 110 in long	3		
0	H10-114-8MP-8MP	5/8 in hose 1/2MP x 1/2MP x 114 in long	3		
0	H10-29-8MP-8MP	5/8 in hose 1/2MP x 1/2MP x 29 in long	2		
0	H10-34-8MP-8MP	5/8 in hose 1/2MP x 1/2MP x 34 in long	2		
0	H10-36-8MP-8MP	5/8 in hose 1/2MP x 1/2MP x 36 in long	2		
0	H10-38-8MP-8MP	5/8" hose 1/2MP x 1/2MP x 38" long	2	20095001-	
0	H10-41-8MP-8MP	5/8" hose 1/2MP x 1/2MP x 41" long	1	20095001-	
0	H10-70-8MP-8MP	5/8 in. hose 1/2 x 1/2 x 70 in long	2		
0	H10-82-8MP-8MP	5/8 in hose 1/2MP x 1/2MP x 82 in long	1		
0	H10-83-8MP-8MP	5/8 in hose 1/2MP x 1/2MP x 83 in long	4		
0	H12-114-12MP-12MP	3/4 in hose 3/4MP x 3/4MP x 114 in hose	1		
0	H12-117-12MP-12MP	3/4"Hose, 3/4"MP x 3/4" MP x 117"Long	1		
0	H12-122-12MP-8MP	3/4" Hose 3/4"MP x 1/2"MP x 122" Long	1		
0	H12-125-12MP-12MP	3/4 in hose 3/4MP x 3/4MP x 125 in long	1		
0	H12-141-12MP-12MP	3/4" Hose,3/4" MP x 3/4" MP x 141" Long	1		
0	H12-146-12MP-12MP	3/4" Hose,3/4" MPx3/4" MPx146" Long	1		
0	H12-152-12MP-8MP	3/4"Hose,3/4"MPx1/2"MPx152"Long	1		
0	H12-185-12MP-12MP	3/4" Hose,3/4" MP x 3/4" MP x 185" Long	1		
0	H12-210-12MP-12MP	3/4" Hose, 3/4"MP x 3/4" MP x 210"	1		
0	H12-256-12MP-12MP	3/4" Hose,,3/4"MPx3/4"MP,256" Long	1		
0	H12-263-12MP-8MP	3/4 in hose 3/4MP x 1/2MP x 263 in long	1		
0	H12-274-12MP-12MP	3/4" Hose, 3/4"MP x 3/4"MP, 274"Long	1		
0	H12-31-12MP-12MP	3/4 in hose 3/4MP x 3/4MP x 31 in long	1		

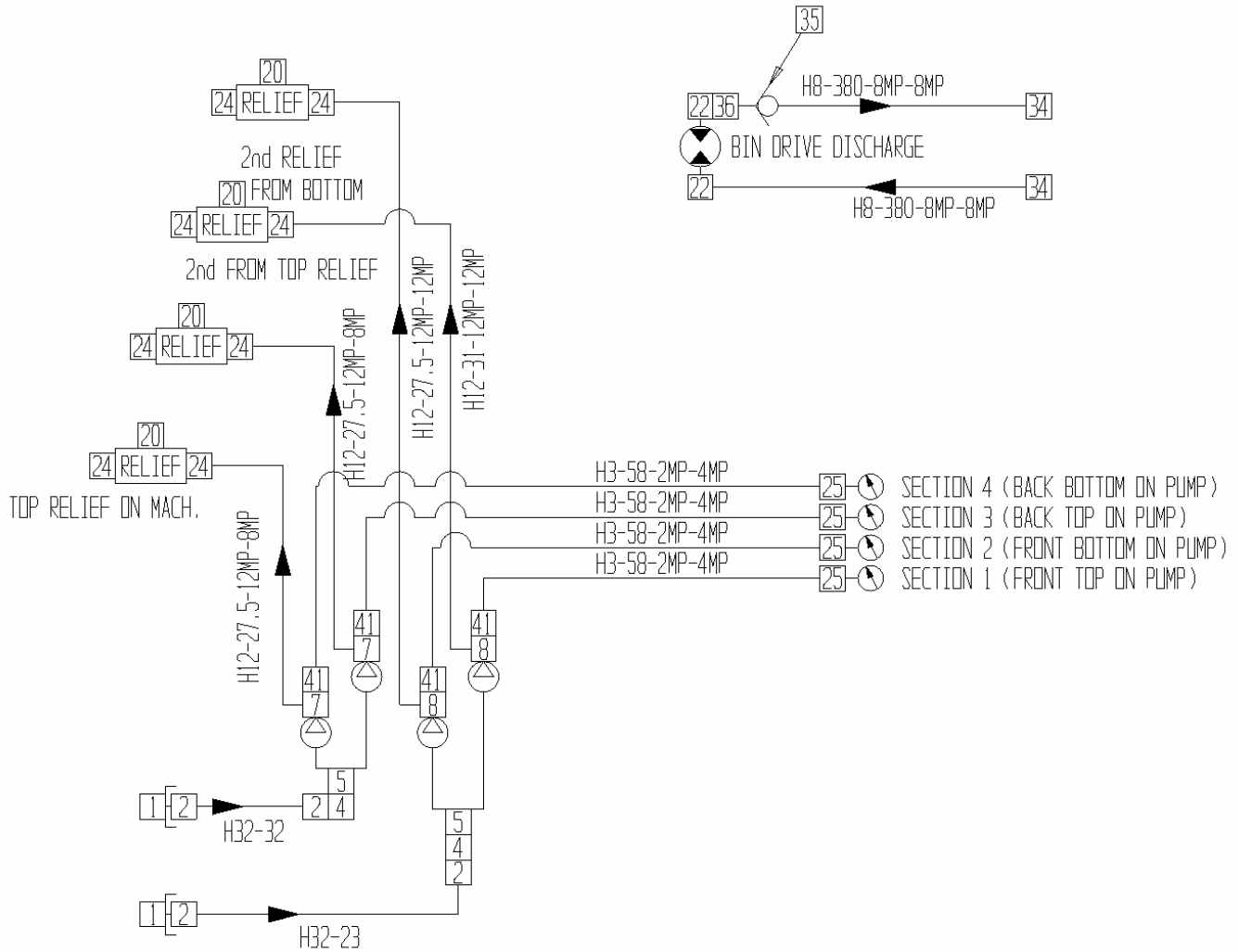
0	H12-32-12MP-12MP	3/4 in. hose 32 in. 3/4 x 3/4	1	
0	H12-35-12MP-12MP	3/4 in hose 3/4MP x 3/4MP x 35 in long	1	Kit-0050
0	H12-57-12MP-12MP	3/4 in. hose 3/4MP x 3/4MP x 57 in long	1	
0	H12-60-12MP-8MP	3/4 in. hose 3/4 MP x 1/2 MP x 60 Long	1	
0	H12-62-12MP-12MP	3/4 in. hose 3/4MP x 3/4MP x 62 in long	2	
0	H24-S-46	1 1/2" Return Hose x 46"	1	
0	H4-58-2MP-4MP	1/4 in hose 1/8MP x 1/4MP x 58 in long	1	
0	H6-PL-105	3/8" Push-Loc Hose 105"	1	
0	H6-PL-175	3/8" Push-Loc Hose 175"	1	30096001-
0	H6-PL-205	3/8" Push-Loc Hose 205"	1	30096001-
0	H6-PL-360	3/8"x 360" Long Casedrain Hose	1	
0	H6-PL-65	3/8" Push-Loc Hose 65"	1	
0	H8-20-8MP-8MP	1/2 in hose 1/2MP x 1/2MP x 20 in long	4	
0	HA-1007	Hydraulic, Magnetic Drain Plug	2	11101-
0	HA-2011	Copper Wire Security Seals	4	
0	HP-1031	Hydraulic oil (per gal.)	120	ISO grade 46 with anti-wear and anti-foam properties. Harvesters, Approx. 140 gal
0	HV-1975	Cartridge Relief Valve	1	
0	HV-1975B	Body For HV-1975	1	
0	HV-FL30	Flow Control Valve 30GPM	8	
0	HV-RV-1H	Relief valve w/ SAE #12 ports	4	
0	PL-3704	Plastic, Hose Holder (Pickle)	7	30095001-
3	CL-200-SD	Two Bolt Hose Clamp, Super Duty, Galvanized	2	1 1/2" Suction Hose
9	A-6408-10	10 SAE Plug	1	
10	A-6901-10-12	10 SAE x 3/4 FPX90 , Forged	16	
11	A-6901-12-12	12 SAE x 3/4" FPX 90 , Forged	6	
12	A-1603-12-12	Swivel T 3/4" NPTF	2	
13	A-5404-12-12	Hex Nipple 3/4" x 3/4"	2	
15	A-6901-10-8	10 SAE x 1/2 FPX90 , Forged	10	
16	A-6900-10-8	10 SAE x 1/2 FPX	17	
17	A-6401-10-8	10 SAE x 1/2 MPT Male	17	
18	A-1603-8-8-8	Swivel T 1/2" NPTF	11	
19	A-6900-10-12	10 SAE x 3/4 FPX	5	
20	A-6901-12-8	12 SAE x 1/2" FPX 90 , Forged	2	
21	A-6806-10-8	10 SAE x 1/2" MP 90	2	

22	A-6902-10-8	10 SAE X 1/2" FPX 45	9	
23	A-6900-4-6	4 SAE x 3/8" FPX	1	
25	A-1405-4-4	1/4" NPT Coupler With Swivel	1	
26	A-1501-2-2	1/8" MP x 1/8" FPX90	1	
27	AN-24-CL	1 1/2" Black (Nipple Close)	1	
28	ASL-24	1 1/2 ST ELL, Domestic Only	1	
29	A-ST-20	1 1/2 NPT to 1 1/2 Hose Barb Adapter	1	
30	A-4601-24-24	1 1/2 x 24 SAE 90 Male O-Ring Beaded Insert	1	
31	AT-24-24-12	1 1/2 x 1 1/2 x 3/4 Black Tee	1	
32	A-4129-6-6	3/8" NPT90 w/3/8" Push-Loc	6	
33	A-4124-6-4	1/4 Male Pipe x 3/8 Push Loc	4	
37	HA-1023-Z	Double Filter Head, Side by Side	1	
38	A-WF-24-10-3	24 SAE Male O-Ring w/ (3) #10 SAE Ports	1	
40	A-6900-8-6	8 SAE x 3/8" FPX With 7/8" Stock Body	5	20095001-
42	HV-FL16	Flow control valve 16GPM	3	
43	HV-FL30-R	Hydraulic Flo Control Valve with Relief 30GPM	2	
44	STP-FL30	Stop, Flow Control	2	19101-

3006-10-2 Drawbar Hitch Hydraulics to Relief Valves

<u>Ref</u>	<u>Part No.</u>	<u>Description</u>	<u>Parts – Assembly</u>	<u>Will Fit SN</u>	<u>Remarks</u>
0	H12-27.5-12MP-12MP	3/4 in hose 3/4MP x 3/4MP x 27.5 in long	2	HV-1045K	
0	H12-27.5-12MP-8MP	3/4 in. hose 27 1/2 in. 1/2 x 3/4	2	HV-1045K	
0	H32-23	Pickle Machine Suction Hose, 23"	1		
0	H32-32	Pickle Machine Suction Hose, 32"	1		
0	H4-58-2MP-4MP	1/4 in hose 1/8MP x 1/4MP x 58 in long	1		
0	H8-380-8MP-8MP	1/2 in hose 1/2MP x 1/2MP x 380 in long	2		
1	HA-1006-5	Suction Screen, SAE 3 3/8-12UN with 2" Hose Barb	2	19904-	
2	CL-201SD	2" Hose Clamp, Super Extra, Two Bolt, 2.00-2.4"	4		
4	A-4459-32-32	Flange Nipple, 2" 90	2		
5	A-SFK-32	2" Split Flange Kit	2		
7	A-6901-10-8-4SAE	10 SAE x 1/2 FPX90 W/ 4SAE Port, Forged)	2		
8	A-6901-12-12-4SAE	12 SAE x 3/4" FPX 90 w/4 SAE Port, Forged	2		
20	A-6901-12-8	12 SAE x 1/2" FPX 90 , Forged	4		
22	A-6902-10-8	10 SAE X 1/2" FPX 45	2		
24	A-6900-12-12	12 SAE x 3/4"FPX	8		
25	A-1405-4-4	1/4" NPT Coupler With Swivel	4		
34	A-QD2010-8-8	Tractor Quick Coupler, Male, 1/2" w/ FPT	2		
35	HV-CKV-800S	1/2" Parker Check Valve	1		
36	A-5404-8-8	Hex Nipple 1/2" x 1/2"	1		
41	A-6901-4-2	4 SAE x 1/8" FPX90 With 9/16" Body, Forged	4		

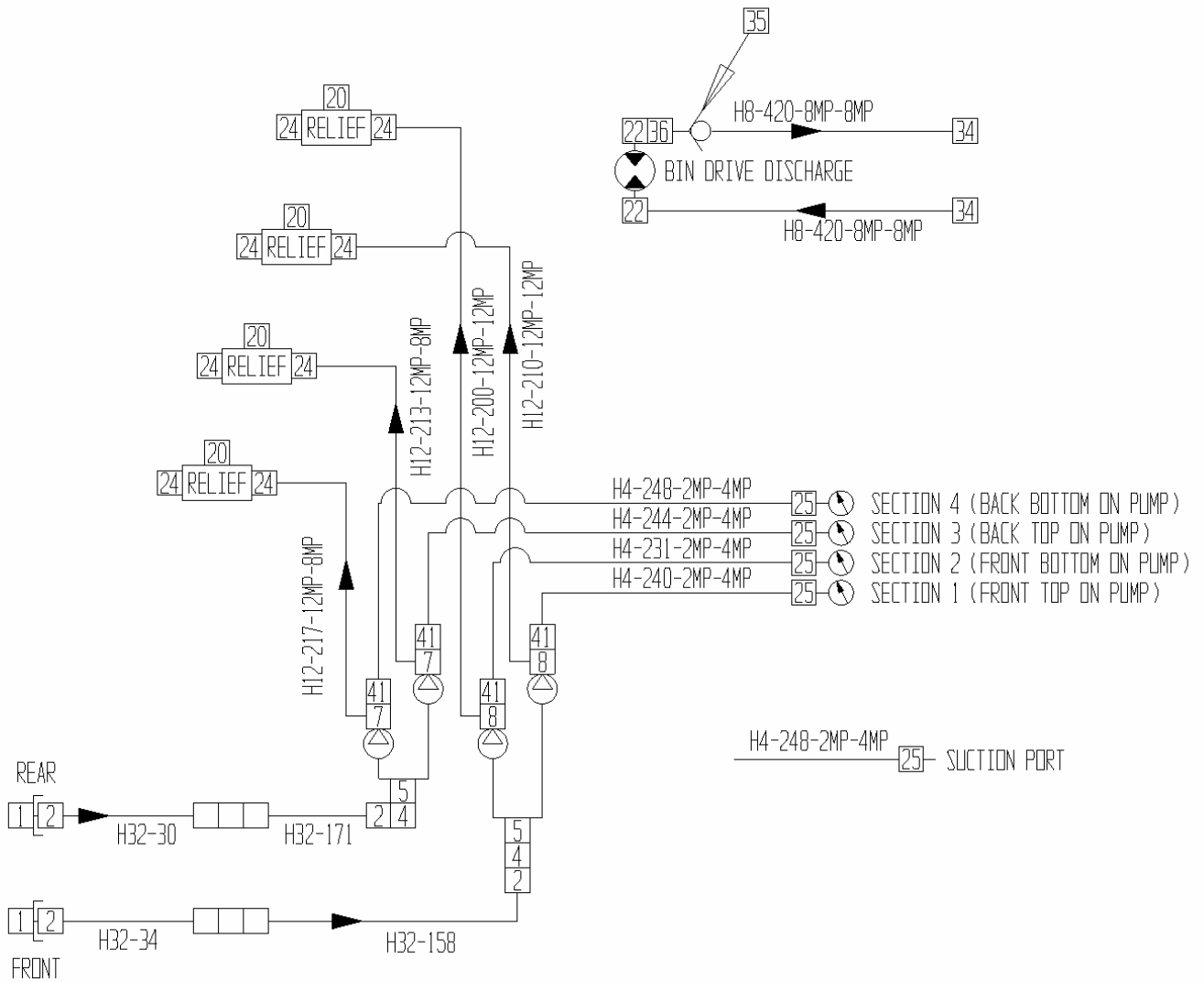
3006-10-2



3006-10-3 G-Neck Hitch Hydraulics To Relief Valves

<u>Ref</u>	<u>Part No.</u>	<u>Description</u>	<u>Parts – Assembly</u>	<u>Will Fit SN</u>	<u>Remarks</u>
0	H12-200-12MP-12MP	3/4 in hose 3/4MP x 3/4MP x 200 in long	1		
0	H12-210-12MP-12MP	3/4" Hose, 3/4"MP x 3/4" MP x 210"	1		
0	H12-213-12MP-8MP	3/4 in hose 3/4MP x 1/2MP x 213 in long	1		
0	H12-217-12MP-8MP	3/4 in hose 3/4MP x 1/2MP x 217 in long	1		
0	H32-158	2" Suction Hose 158" long	1		
0	H32-171	2" Suction Hose, To Front Pump	1		
0	H32-30	2" Suction Hose 30" long	1		
0	H32-34	2" Suction Hose 34" long	1		
0	H4-231-2MP-4MP	1/4 in hose 1/8MP x 1/4MP x 231 in long	1		
0	H4-240-2MP-4MP	1/4 in hose 1/8MP x 1/4MP x 240 in long	1		
0	H4-244-2MP-4MP	1/4 in hose 1/8MP x 1/4MP x 244 in long	1		
0	H4-248-2MP-4MP	1/4 in hose 1/8MP x 1/4MP x 248 in long	2		
0	H8-420-8MP-8MP	1/2 in hose 1/2MP x 1/2MP x 420 in long	2		
1	HA-1006-5	Suction Screen, SAE 3 3/8-12UN with 2" Hose Barb	2	19904-	
2	CL-201SD	2" Hose Clamp, Super Extra, Two Bolt, 2.00-2.4"	4		
4	A-4459-32-32	Flange Nipple, 2" 90	2		
5	A-SFK-32	2" Split Flange Kit	2		
7	A-6901-10-8-4SAE	10 SAE x 1/2 FPX90 W/ 4SAE Port, Forged)	2		
8	A-6901-12-12-4SAE	12 SAE x 3/4" FPX 90 w/4 SAE Port, Forged	2		
20	A-6901-12-8	12 SAE x 1/2" FPX 90 , Forged	4		
22	A-6902-10-8	10 SAE X 1/2" FPX 45	2		
24	A-6900-12-12	12 SAE x 3/4"FPX	8		
25	A-1405-4-4	1/4" NPT Coupler With Swivel	5		
34	A-QD2010-8-8	Tractor Quick Coupler, Male, 1/2" w/ FPT	2		
35	HV-CKV-800S	1/2" Parker Check Valve	1		
36	A-5404-8-8	Hex Nipple 1/2" x 1/2"	1		
41	A-6901-4-2	4 SAE x 1/8" FPX90 With 9/16" Body, Forged	5		

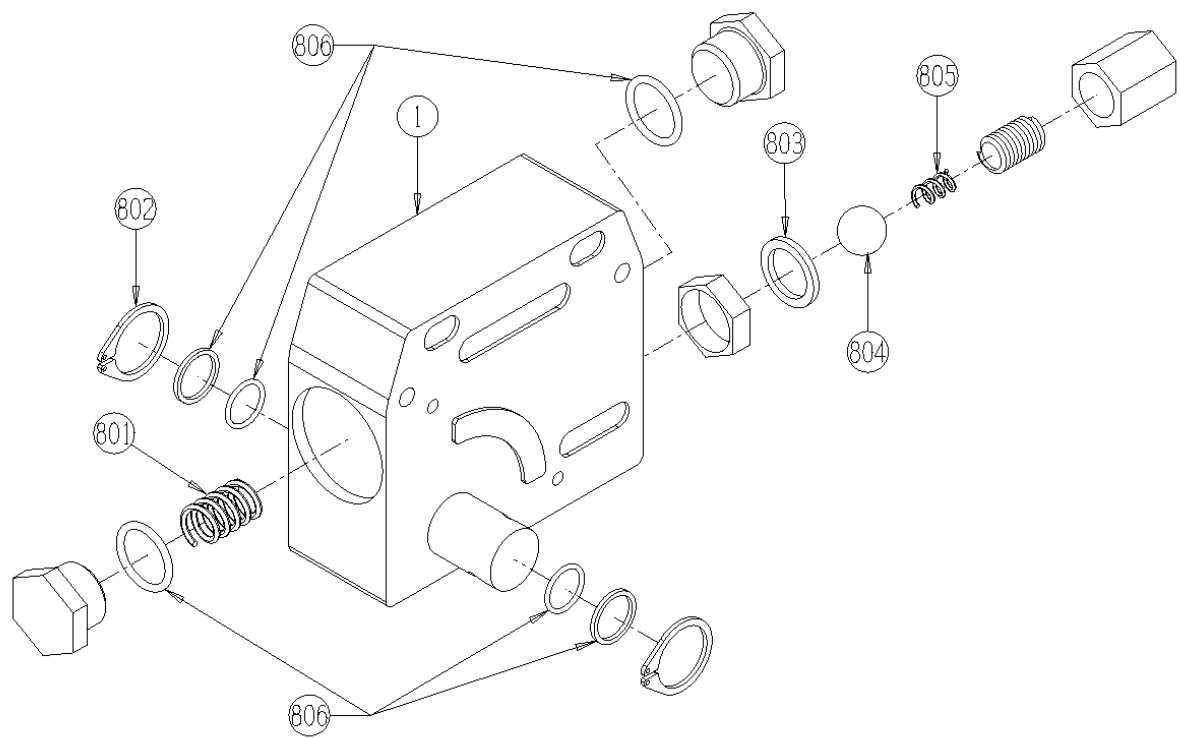
3006-10-3



3006-10-7 Flow Control Parts Assembly

<u>Ref</u>	<u>Part No.</u>	<u>Description</u>	<u>Parts – Assembly</u>	<u>Will Fit SN</u>	<u>Remarks</u>
1	HV-FL16	Flow control valve 16GPM	0		
1	HV-FL16-R	Hydraulics, Flow control valve 16GPM	0		
1	HV-FL30	Flow Control Valve 30GPM	0		
1	HV-FL30-R	Hydraulic Flo Control Valve with Relief 30GPM	0		
801	HV-1030C	Flo control spool spring	1		
802	HV-1030F	Flo Control Rotary Spool Snap Ring	2		
803	HV-1030G	Crush Washer	1		
804	HV-1030B	Flo control relief ball	1		
805	HV-1030A	Flow control relief spring	1		
806	HV-1030D	Flo control seal kit	1		

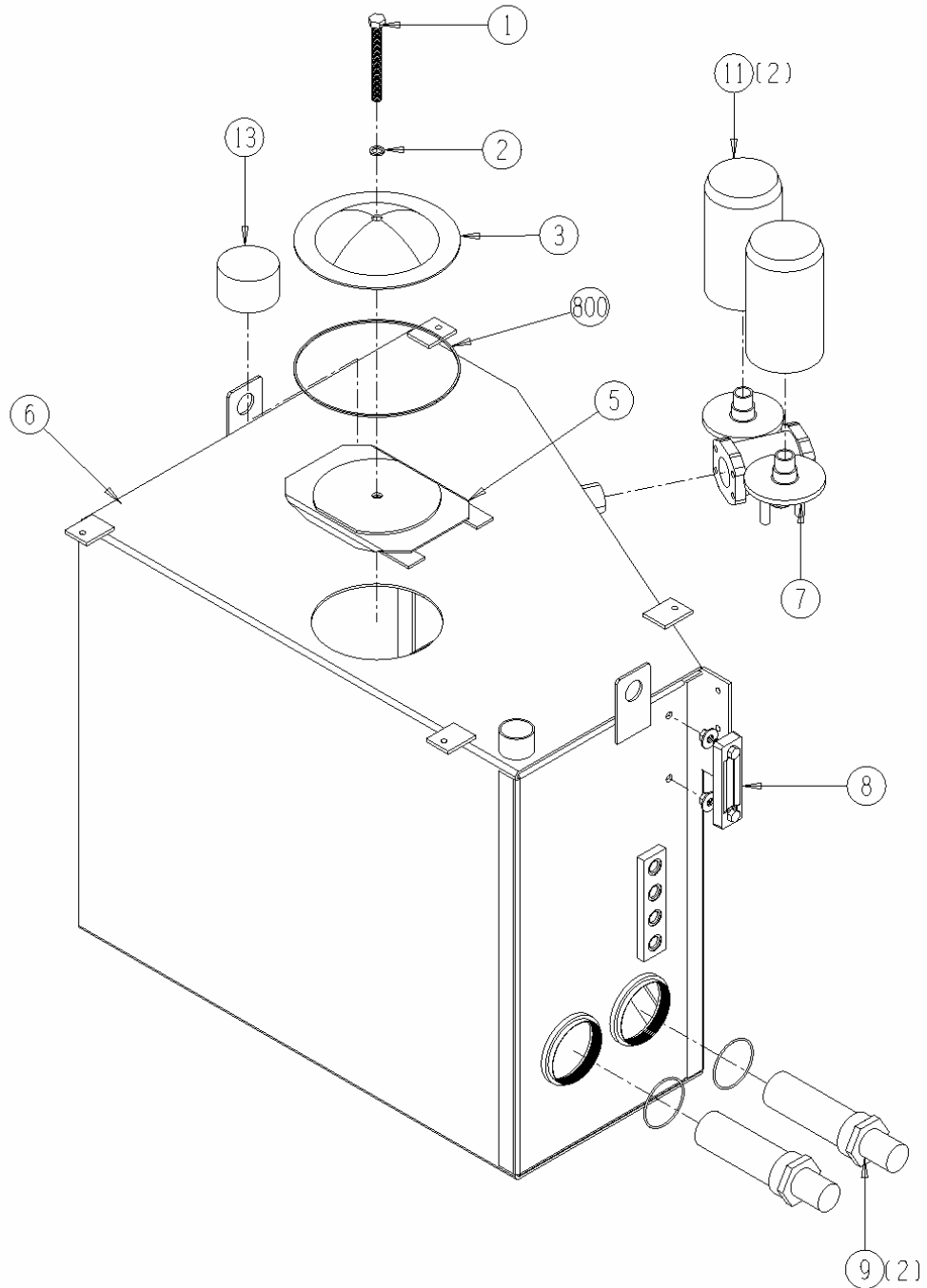
3006-10-7



3006-10-8 Oil Tank Assembly

<u>Ref</u>	<u>Part No.</u>	<u>Description</u>	<u>Parts – Assembly</u>	<u>Will Fit SN</u>	<u>Remarks</u>
1	HA-5070E	Tank Cover Bolt	1	19501-30095001-	
2	HA-5070B	Nylon Washer for Tank Cover Kit	1	19501-30095001-	
3	HA-5070	Hydraulic Tank Cover w/Gasket	1	19501-30095001-	
5	HA-5071D	Backing plate, oil tank cover, Cucumber	1	30095001-	
6	TAN-3000	Tank, Oil Reservoir, Cucumber	1		
7	HA-1023-Z	Double Filter Head, Side by Side	1		
8	HA-1041	Hyd, Level Gauge & Therm	1	19201-	
9	HA-1006-5	Suction Screen, SAE 3 3/8-12UN with 2" Hose Barb	2	19904-	
11	HA-1029	Hydraulic Fluid Filter	2		
12	HA-1007	Hydraulic, Magnetic Drain Plug	2	11101-	
13	HA-1012	Vescor Breather Filter (3 micron)w/Adapter Fitting	1		
100	BL-8-LN	1/2-13 HEX LOCK NUT NYLON INSERT ZC	8		
101	BL-8-175-H	1/2-13 X 1 3/4 HEX CAP G5 ZC	8		
102	BL-8-SW	1/2 SAE FW ZC	16		
800	HA-5070A	Replacement Gasket for Tank Cover Kit	1	HA-5070	

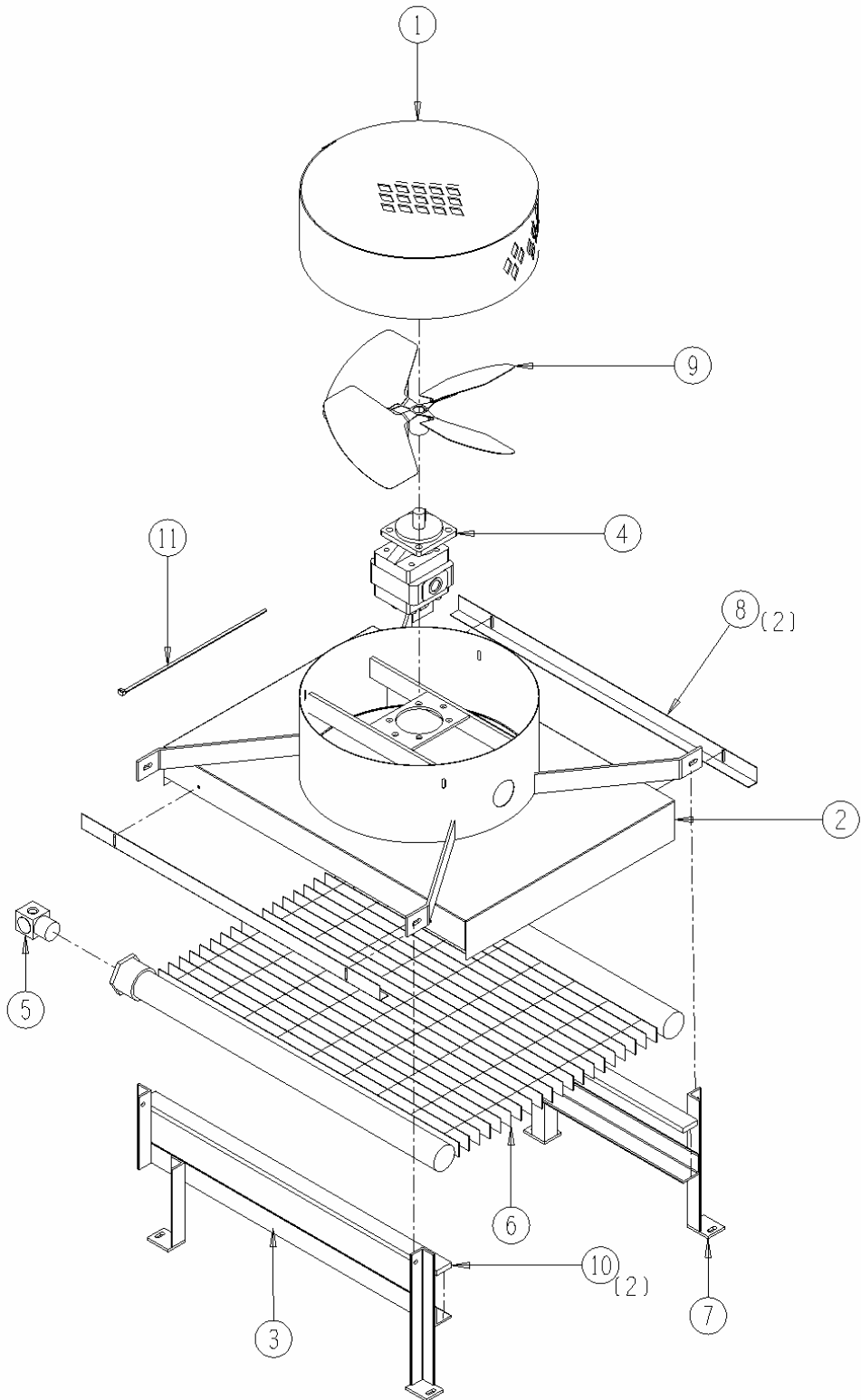
3006-10-8



3006-10-9 Oil Cooler Assembly

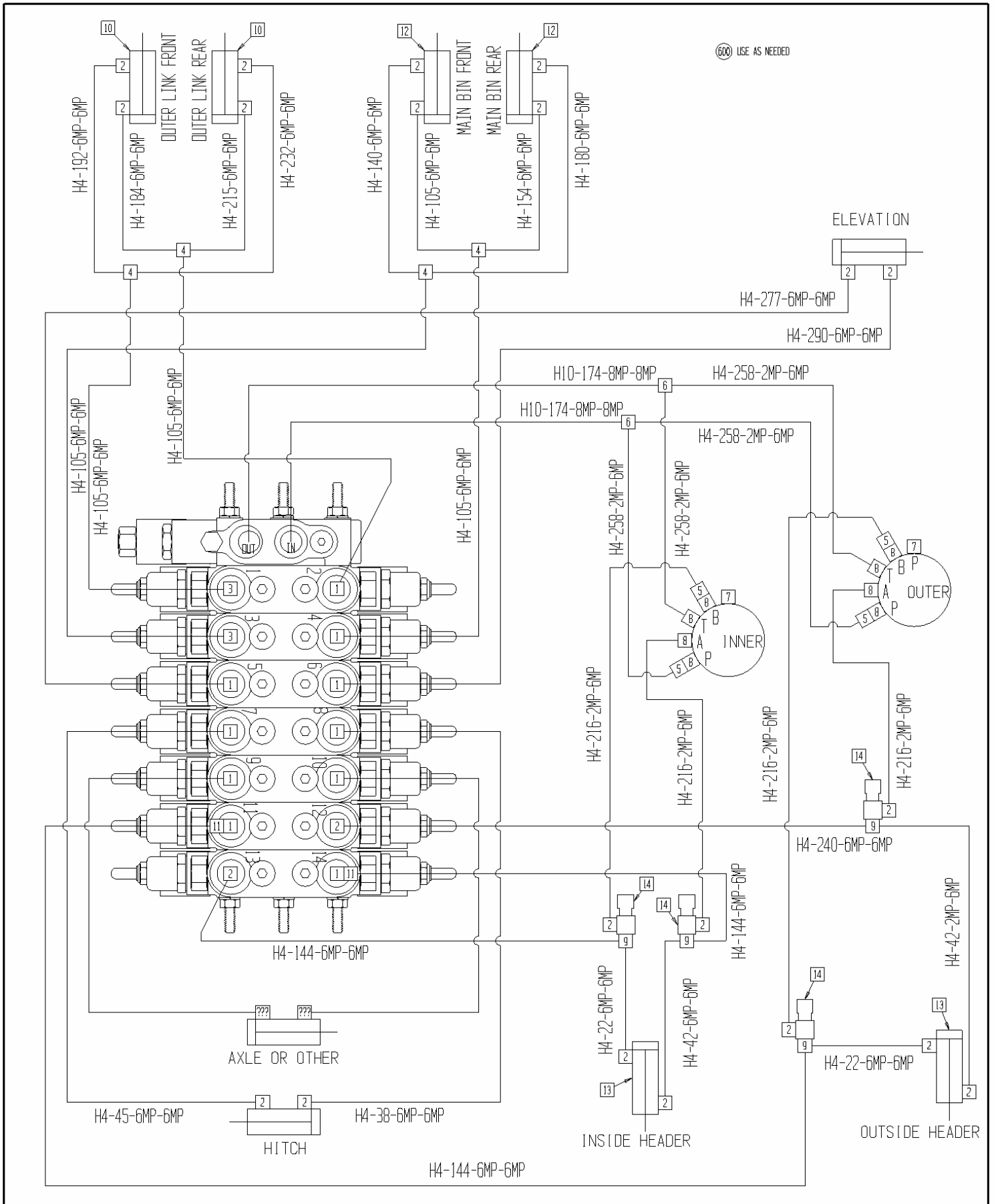
<u>Ref</u>	<u>Part No.</u>	<u>Description</u>	<u>Parts – Assembly</u>	<u>Will Fit SN</u>	<u>Remarks</u>
0	BAR-FAN-290-18	Bar, Retainer, Cooling Fan	1		
1	191-1082	Shield, Cooling Fan	1		
2	110-1016	Oil Cooler Shroud	1		
3	MOU-3005	Mount, Oil Cooler, Oil Tank (Pickle)	1	30095001-	
4	HM-1020	Cooling Fan Motor	1	19201-	When installing on '90 and '91 machines must be accompanied by fan blade 192-1019
5	A-WF-24-10-3	24 SAE Male O-Ring w/ (3) #10 SAE Ports	1		
6	HA-1016	Hydraulic Oil Cooler Radiator w/o Mounting Kit & w/ SAE24 Ports	1		Replaces HA-1015
7	MOU-3006	Mount, Oil Cooler, Oil Tank (Pickle)	1	30095001-	
8	COV-1016	Cover, Shroud Cover, Oil Cooler	2	30097001-	
9	FAN-190-18	190 Oil Cooler Fan, 18" with PU-JA-16 Bushing	1		
10	RS-100	Rubber Oil Cooler Damper, .500 x 1.75 x 35.5	2	19401-	EPDM Sponge Rubber Sheeting
11	WT-17H	Heavy Duty Wire Tie 17.5"	6		
100	BL-8-150-H	1/2 UNC X 1 1/2 HH C/S BOLT GR5 ZINC	4		
101	BL-6-125-H	3/8-16 X 1 1/4 HHCS G5 ZC	8		
102	BL-4-100-H	1/4-20 X 1 HEX CAP G5 ZC	3		
103	BL-4-FW	1/4 USS FW ZC	6		
104	BL-4-LN	1/4-20 HEX LN NE ZC	3		
105	BL-6-FW	3/8 USS FW ZC	12		
106	BL-6-SW	3/8 SAE FW ZC	4		
107	BL-8-LN	1/2-13 HEX LOCK NUT NYLON INSERT ZC	4		
108	BL-6-LN	3/8 UNC FIN HEX LOCK NUT NE A563 GrA ZINC	8		

3006-10-9



3006-10-11 Cylinder Hydraulics From Control Valve

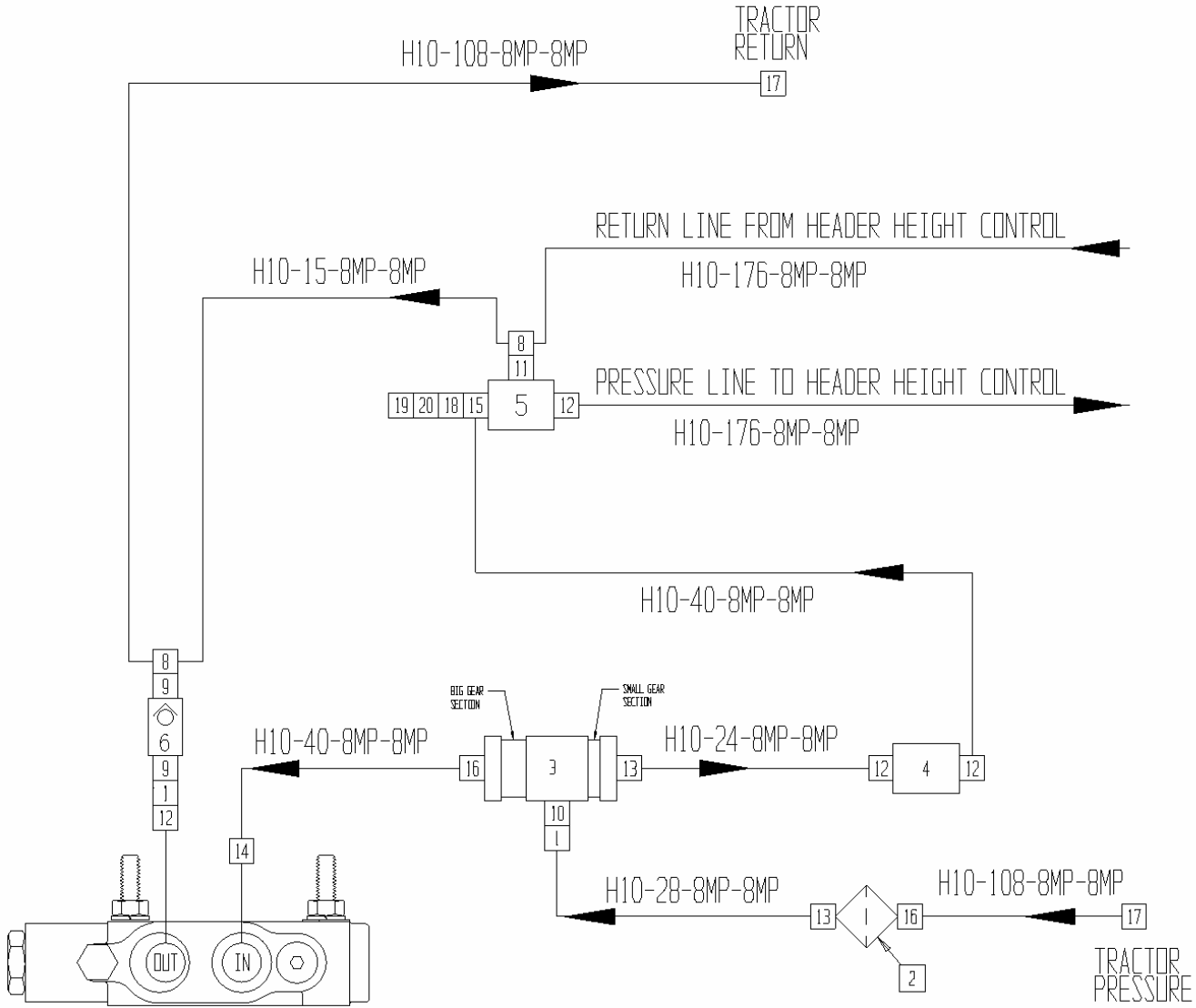
<u>Ref</u>	<u>Part No.</u>	<u>Description</u>	<u>Parts – Assembly</u>	<u>Will Fit SN</u>	<u>Remarks</u>
0	H4-105-6MP-6MP	1/4 in hose 3/8MP x 3/8MP x 105 in long	5		
0	H4-140-6MP-6MP	1/4 in hose 3/8MP x 3/8MP x 140 in long	1		
0	H4-154-6MP-6MP	1/4 in hose 3/8MP x 3/8MP x 154 in long	1		
0	H4-180-6MP-6MP	1/4 in hose 3/8MP x 3/8MP x 180 in long	1		
0	H4-184-6MP-6MP	1/4 in hose 3/8MP x 3/8MP x 184 in long	1		
0	H4-192-6MP-6MP	1/4 in hose 3/8MP x 3/8MP x 192 in long	1		
0	H4-215-6MP-6MP	1/4 in hose 3/8MP x 3/8MP x 215 in long	1		
0	H4-22-6MP-6MP	1/4" hose 3/8MP x 3/8MP x 22" long	2	20095001-	
0	H4-232-6MP-6MP	1/4 in hose 3/8MP x 3/8MP x 232 in long	1		
0	H4-238-6MP-6MP	1/4 in hose 3/8MP x 3/8MP x 238 in long	2		
0	H4-277-6MP-6MP	1/4 in hose 3/8MP x 3/8MP x 277 in long	1		
0	H4-290-6MP-6MP	1/4 in hose 3/8MP x 3/8MP x 290 in long	1		
0	H4-38-6MP-6MP	1/4 in hose 3/8MP x 3/8MP x 38 in long	1		
0	H4-42-6MP-6MP	1/4" hose 3/8MP x 3/8MP x 42" long	2		
0	H4-45-6MP-6MP	1/4 in hose 3/8MP x 3/8MP x 45 in long	1		
0	HY-TRAN	Hytran @ gal	20		
0	WT-14	Wire Tie 14 1/4"	25		
0	WT-17H	Heavy Duty Wire Tie 17.5"	25		
1	A-6900-8-6	8 SAE x 3/8" FPX With 7/8" Stock Body	10	20095001-	
2	A-6901-8-6	8 SAE x 3/8" FPX90 , Forged	22	20095001-	
3	A-6900-8-6-06	8 SAE x 3/8" FPX Restricted	2		
4	A-1603-6-6-6T	Adapter, Mountable Swivel T, Cyl Control	4	30098001-	
5	A-1501-2-2	1/8" MP x 1/8" FPX90	4		
6	A-1602-8-6-6	1/2 FP x 3/8 FPX x 3/8 FPX TEE	2		
7	A-6408-4	4 SAE Plug	2		
8	A-6900-4-2	4 SAE x 1/8" FPX	8		
9	A-6955-8-6-6	8 SAE x 3/8" FPX Tee	4		
10	HC-250-08	Hydraulic Cylinder, 2 1/2" x 8" w/1 1/4" Rod	2		
11	A-1501-6-6	3/8" MP x 3/8" FPX90	2		
12	HC-250-3008	Hydraulic cylinder 2 1/2" x 30" #8 SAE Ports	2	11001-	
13	HC-300-24	Tie Rod Cylinder, 3" x 24"	2		
14	HV-1977	Header Height, Leveling Circuit Valve	4		
15	SHD-HC05	Shield made from hose for HHC Hoses, HC 290	2		



3006-10-12 Drawbar Hitch Cylinder Hydraulics to Control Valve

<u>Ref</u>	<u>Part No.</u>	<u>Description</u>	<u>Parts – Assembly</u>	<u>Will Fit SN</u>	<u>Remarks</u>
0	H10-108-8MP-8MP	5/8 in hose 1/2MP x 1/2MP x 108 in long	2		
0	H10-15-8MP-8MP	5/8 in hose 1/2MP x 1/2MP x 15" long	1		
0	H10-176-8MP-8MP	5/8 in hose 1/2MP x 1/2MP x 176 in long	2		
0	H10-24-8MP-8MP	5/8 in hose 1/2MP x 1/2MP x 24 in long	1		
0	H10-28-8MP-8MP	5/8" hose 1/2MP x 1/2MP x 28" long	1		
0	H10-40-8MP-8MP	5/8 in hose 1/2MP x 1/2MP x 40 in long	2		
1	A-1501-8-8	1/2 MP x 1/2 FPX90	2		
2	HA-1037	Pressure Filter	1		Most machines 1997 and previous used Parker filter. 1998> Zinga style
3	HV-FD-30	Flow Divider Used With Open Center Tractors	1		E00-01
4	FM-0110	Inline Flow Meter, 1-10 GPM @ 3500 PSI	1		
5	HV-RV-3H	Relief Valve w/ SAE #10 Ports	1		
6	HV-CKV-800S	1/2" Parker Check Valve	1		
8	A-1603-8-8-8	Swivel T 1/2" NPTF	2		
9	A-5404-8-8	Hex Nipple 1/2" x 1/2"	2		
10	A-6405-16-8	16 SAE x 1/2"FP	1		
11	A-6806-10-8	10 SAE x 1/2" MP 90	1		
12	A-6900-10-8	10 SAE x 1/2 FPX	4		
13	A-6900-12-8	12 SAEx 1/2" FPX	2		
14	A-6901-10-8	10 SAE x 1/2 FPX90 , Forged	1		
15	A-6901-10-8-4SAE	10 SAE x 1/2 FPX90 W/ 4SAE Port, Forged)	1		
16	A-6901-12-8	12 SAE x 1/2" FPX 90 , Forged	2		
17	A-QD2010-8-8	Tractor Quick Coupler, Male, 1/2" w/ FPT	2		
18	HA-1004-4	Test Point Plug #4 SAE Thread	1		
19	HA-1004-G	Hydraulic, Pressure Gauge w/1/4 NPT Stem	1		
20	HA-1005-T	Test Point Probe	1		

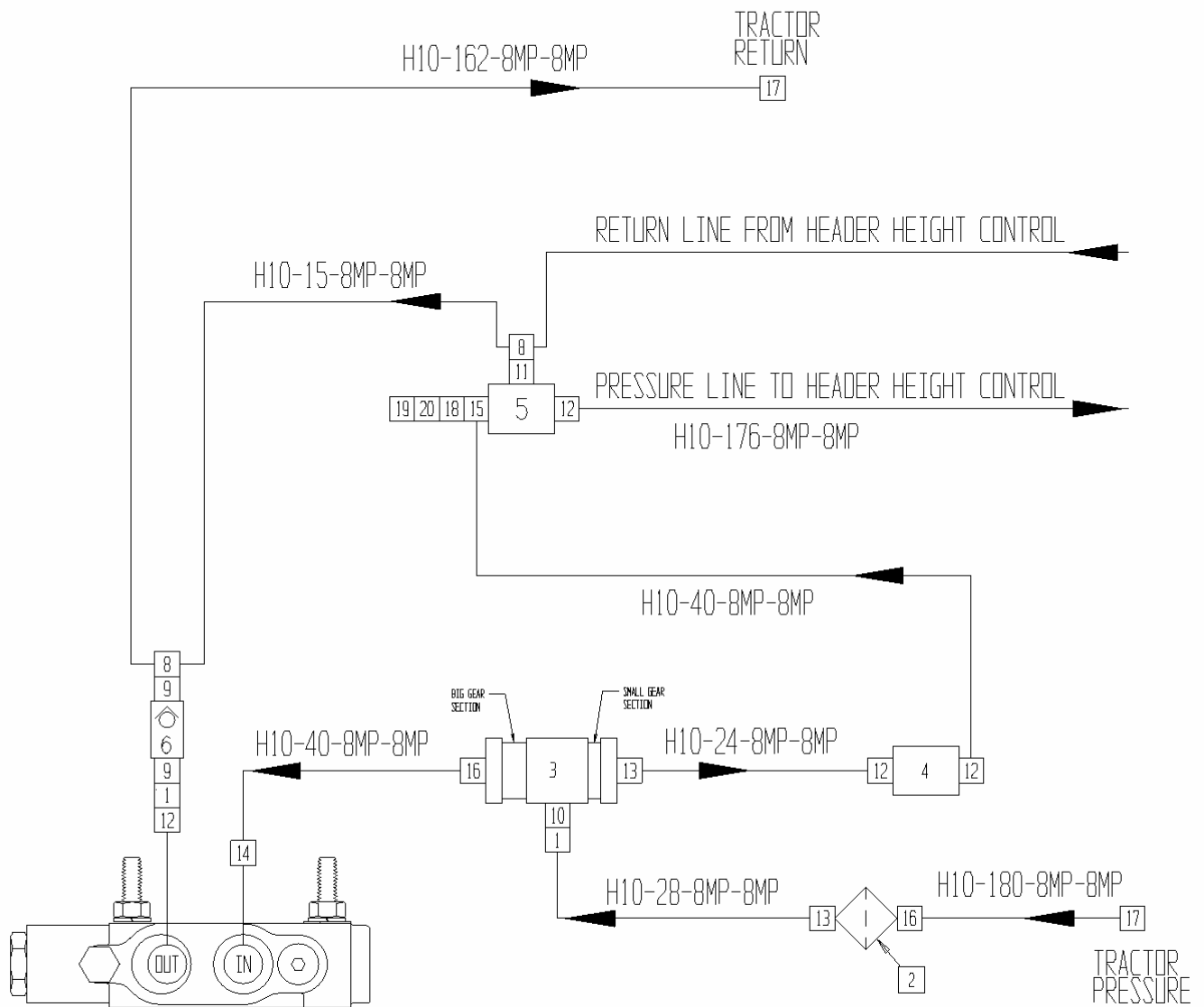
3006-10-12



3006-10-13 G-Neck Hitch Cylinder Hydraulics to Control Valve

<u>Ref</u>	<u>Part No.</u>	<u>Description</u>	<u>Parts – Assembly</u>	<u>Will Fit SN</u>	<u>Remarks</u>
0	H10-15-8MP-8MP	5/8 in hose 1/2MP x 1/2MP x 15" long	1		
0	H10-162-8MP-8MP	5/8 in hose 1/2MP x 1/2MP x 162 in long	1		
0	H10-176-8MP-8MP	5/8 in hose 1/2MP x 1/2MP x 176 in long	1		
0	h10-180-8MP-8mp	5/8 in hose 1/2MP x 1/2MP x 180 in long	1		
0	H10-24-8MP-8MP	5/8 in hose 1/2MP x 1/2MP x 24 in long	1		
0	H10-28-8MP-8MP	5/8" hose 1/2MP x 1/2MP x 28" long	1		
0	H10-40-8MP-8MP	5/8 in hose 1/2MP x 1/2MP x 40 in long	2		
1	A-1501-8-8	1/2 MP x 1/2 FPX90	2		
2	HA-1037	Pressure Filter	1		Most machines 1997 and previous used Parker filter. 1998> Zinga style
3	HV-FD-30	Flow Divider Used With Open Center Tractors	1		E00-01
4	FM-0110	Inline Flow Meter, 1-10 GPM @ 3500 PSI	1		
5	HV-RV-3H	Relief Valve w/ SAE #10 Ports	1		
6	HV-CKV-800S	1/2" Parker Check Valve	1		
8	A-1603-8-8-8	Swivel T 1/2" NPTF	2		
9	A-5404-8-8	Hex Nipple 1/2" x 1/2"	2		
10	A-6405-16-8	16 SAE x 1/2"FP	1		
11	A-6806-10-8	10 SAE x 1/2" MP 90	1		
12	A-6900-10-8	10 SAE x 1/2 FPX	4		
13	A-6900-12-8	12 SAE x 1/2" FPX	2		
14	A-6901-10-8	10 SAE x 1/2 FPX90 , Forged	1		
15	A-6901-10-8-4SAE	10 SAE x 1/2 FPX90 W/ 4SAE Port, Forged)	1		
16	A-6901-12-8	12 SAE x 1/2" FPX 90 , Forged	2		
17	A-QD2010-8-8	Tractor Quick Coupler, Male, 1/2" w/ FPT	2		
18	HA-1004-4	Test Point Plug #4 SAE Thread	1		
19	HA-1004-G	Hydraulic, Pressure Gauge w/1/4 NPT Stem	1		
20	HA-1005-T	Test Point Probe			

3006-10-13



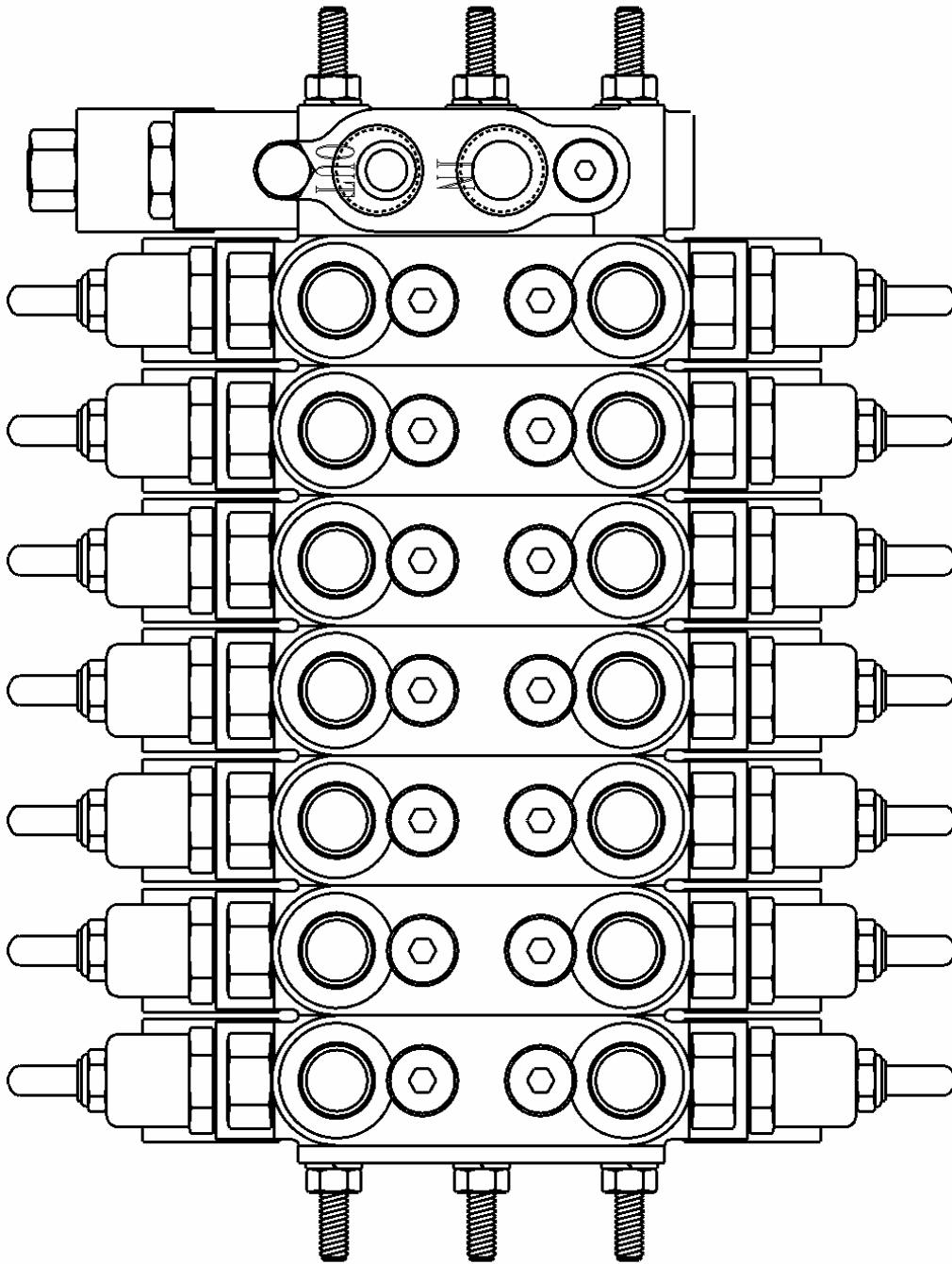
3006-10-15 Hydraulic Cylinder Control Valve

<u>Ref</u>	<u>Part No.</u>	<u>Description</u>	<u>Parts – Assembly</u>	<u>Will Fit SN</u>	<u>Remarks</u>
0	HVE-3006	Control Valve, 7 Work Sections, 3000 Cuc	1		

HVE-3006 Control Valve, 7 Work Sections, 3000 Cuc

<u>Ref</u>	<u>Part No.</u>	<u>Description</u>	<u>Parts – Assembly</u>	<u>Will Fit SN</u>	<u>Remarks</u>
1	HV-1056Z	Mounting Plate, Valve Stack	2		
2	HVE-1036BL	Brand Valve Section with Locks	7	HVE-1076, HVE-3046,	Complete,w/o Cartridges & Coils w/ 3 shims & o-rings
3	HVE-1036C	Unloaded Inlet Section	1		
4	HVE-1036S	Shim (Between Sections)	21		
5	HVE-1037H	O Ring (Parker #2-012)	3		
7	HVE-1037O	O-Ring, Buna N 90 Durometer	21		
8	HVE-1037Q	Backup for O-Ring (Parker #3-012)	3		
9	HVE-1046C	Plug, End Section, Brand Valve	3		
10	HVE-1015TR	Tie Rod for Seven Work Section Valve	3		
100	BL-5-LW	5/16 SPLIT LW ZC	6		
101	BL-5-N	5/16 UNF FIN HEX NUT A563 GrA ZINC	6		

3006-10-15

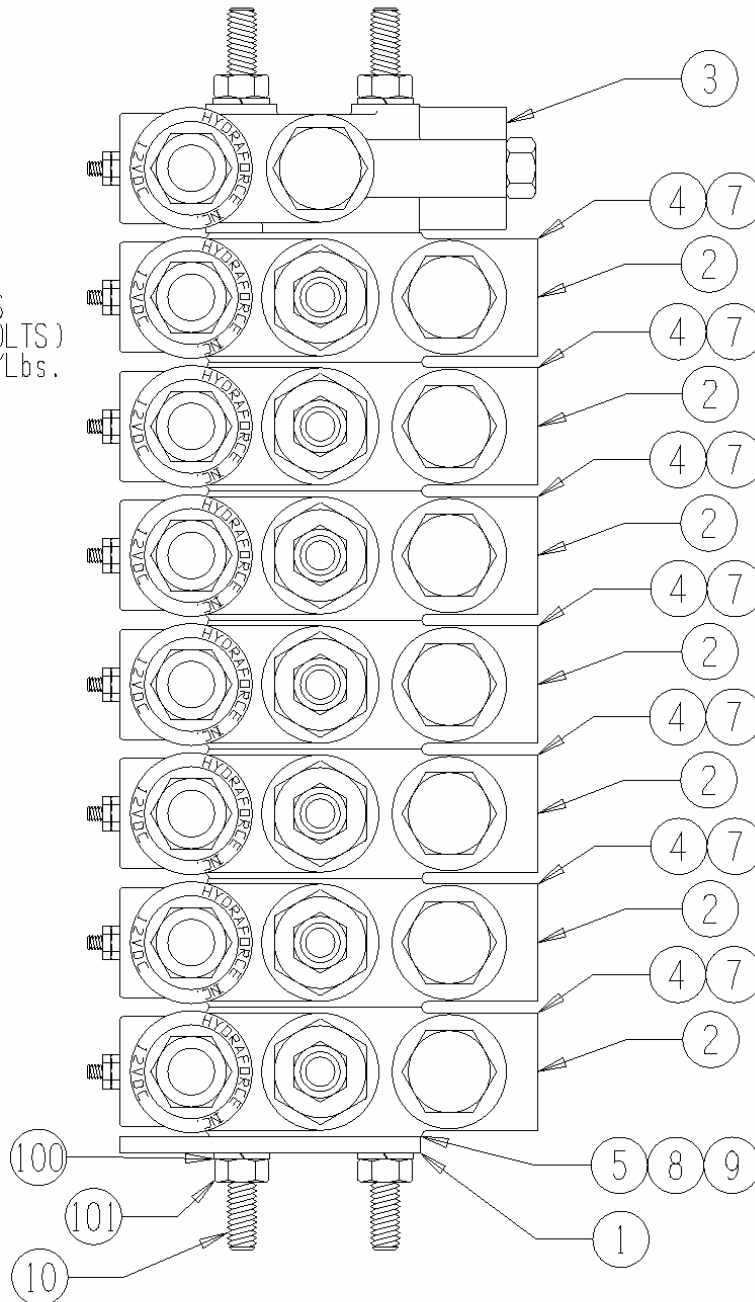


3006-10-16 Elect./Hyd. Valve Assembly, Cucumber

<u>Ref</u>	<u>Part No.</u>	<u>Description</u>	<u>Parts – Assembly</u>	<u>Will Fit SN</u>	<u>Remarks</u>
1	HV-1056Z	Mounting Plate, Valve Stack	2		
2	HVE-1036BL	Brand Valve Section with Locks	7	HVE-1076, HVE-3046,	Complete,w/o Cartridges & Coils w/ 3 shims & o-rings
3	HVE-1036C	Unloaded Inlet Section	1		
4	HVE-1036S	Shim (Between Sections)	21		
5	HVE-1037H	O Ring (Parker #2-012)	3		
7	HVE-1037O	O-Ring, Buna N 90 Durometer	21		
8	HVE-1037Q	Backup for O-Ring (Parker #3-012)	3		
9	HVE-1046C	Plug, End Section, Brand Valve	3		
10	HVE-1015TR	Tie Rod for Seven Work Section Valve	3		
100	BL-5-LW	5/16 SPLIT LW ZC	6		
101	BL-5-N	5/16 UNF FIN HEX NUT A563 GrA ZINC	6		

3006-10-16

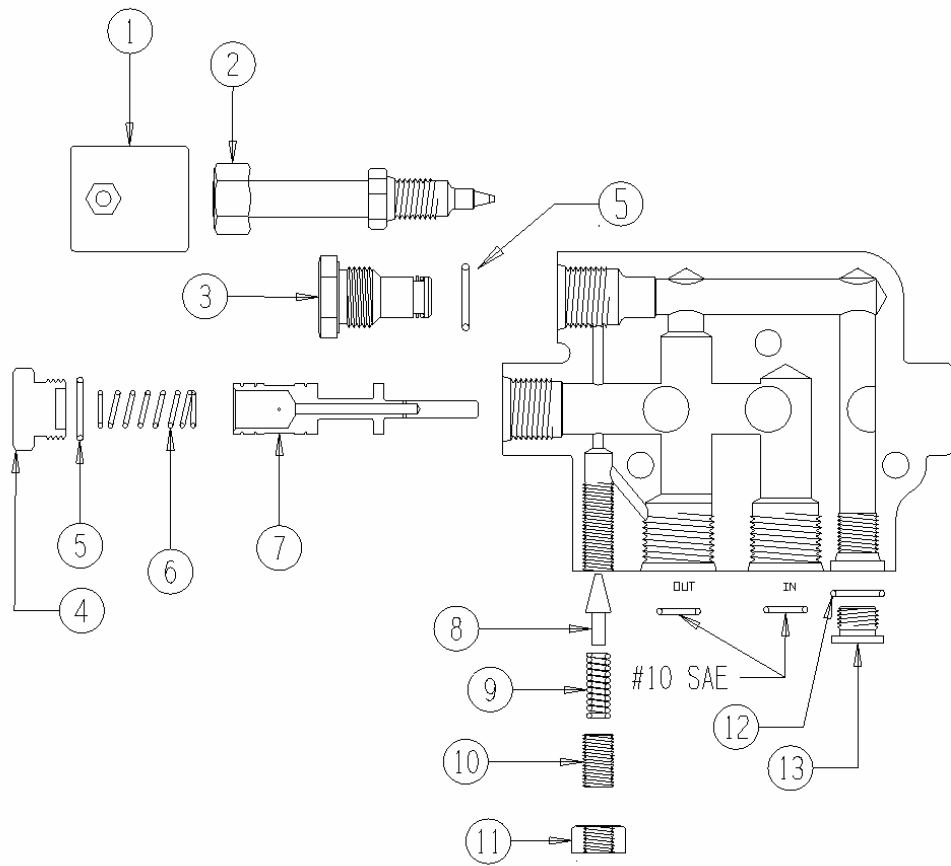
NOTE:
TORQUE NUTS
(ON LONG BOLTS)
TO 95 Inch/Lbs.



3006-10-17 Elect/Hyd Unloading Inlet Valve Section

<u>Ref</u>	<u>Part No.</u>	<u>Description</u>	<u>Parts – Assembly</u>	<u>Will Fit SN</u>	<u>Remarks</u>
1	HVE-1036P	Coil	1		Replaces HA-431-B on Manifold Block.
2	HVE-1036N	Unloading Section Cartridge	1		
3	HVE-1036D	Closed Center Plug	1		
4	HVE-1037D	Unloading Cap	1		
5	HVE-1037P	O-Ring	2		
6	HVE-1037B	Unloading Spring	1		
7	HVE-1037C	Unloading Spool	1		
8	HVE-1037A	Relief Poppet	1		
9	HVE-1036K	Unload Section Relief Spring (Bare Metal-no color)	1		
10	HVE-1037E	Adjusting Screw	1		
11	HVE-1037Y	Nut, Nylon Insert, Sealing	1		Replaces HVE-1037F
12	HVE-1037J	O Ring	1		
13	A-6408-5HHP	#5 SAE Hollow Hex Plug	1		Replaces HVE-1037V

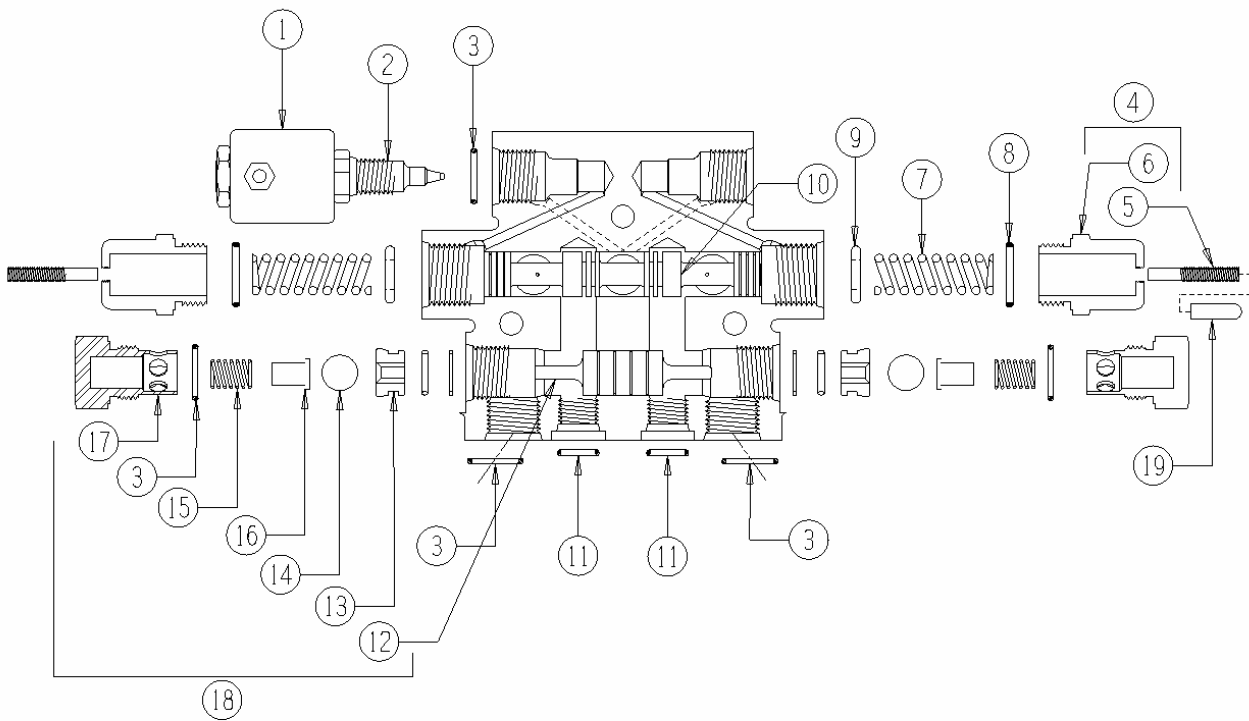
3006-10-17



3006-10-18 Elect./Hyd. Valve Section, with Locks, Cucumber

<u>Ref</u>	<u>Part No.</u>	<u>Description</u>	<u>Parts – Assembly</u>	<u>Will Fit SN</u>	<u>Remarks</u>
1	HV-FL16	Flow control valve 16GPM	0		
1	HV-FL16-R	Hydraulics, Flow control valve 16GPM	0		
1	HV-FL30	Flow Control Valve 30GPM	0		
1	HV-FL30-R	Hydraulic Flo Control Valve with Relief 30GPM	0		
801	HV-1030C	Flo control spool spring	1		
802	HV-1030F	Flo Control Rotary Spool Snap Ring	2		
803	HV-1030G	Crush Washer	1		
804	HV-1030B	Flo control relief ball	1		
805	HV-1030A	Flow control relief spring	1		
806	HV-1030D	Flo control seal kit	1		

3006-10-18



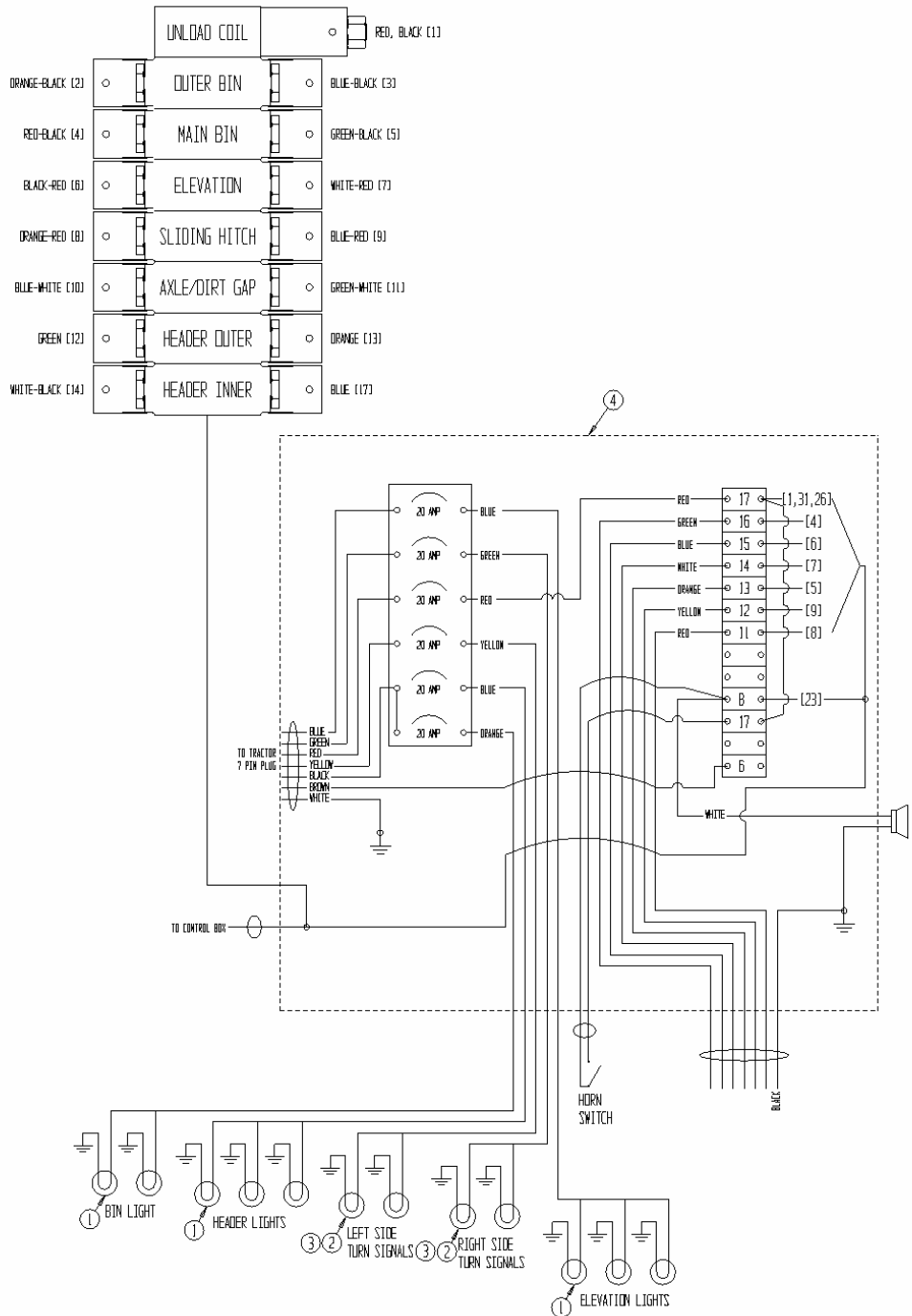
3006-11-1 Electrical for Breaker Box

<u>Ref</u>	<u>Part No.</u>	<u>Description</u>	<u>Parts – Assembly</u>	<u>Will Fit SN</u>	<u>Remarks</u>
0	192-1509C	Air compressor adjuster	2	19201-	
0	BAR-1510	Bar, Light Holder	2		
0	BC-1032-LN	10-32 lock nuts	2		
0	BL-1032-075SSP	Stainless Steel Machine Screw	2		
0	BL-4-075-H	1/4 UNC X 3/4 HH C/S BOLT GR5 ZINC	4		
0	BL-4-FW-8	1/4" Flat Washer Grade 8	4		
0	BL-4-LN	1/4-20 HEX LN NE ZC	4		
0	ELE-PCMB-1	Wire Markers	1		
0	ELS-206-BL	Blue Toggle Switch Extender	1		
0	ELS-209-C	Charcoal Toggle Switch Extension	2		
0	ELS-504-R	Red Toggle Switch Extension	2		
1	EL-1233	Light, Auxiliary Work Light, Clear, Trapezoid Beam, TL#80394	8		Replaces EL-1201
2	EL-1206	Double Amber Lamp	4		
3	SHD-1206	Shield, Flashing Light	4	30097001- 19601-	
4	elp-0014	Electrical Panel, 2006, 3000 Cuc.	1		

3006-11-1

NOTES:
 THE NUMBERS IN [] ARE THE RECEPTACLE
 PIN NUMBERS. THE NUMBERS IN CIRCLES
 OR SQUARES ARE THE REFERENCE NUMBERS
 FOR THAT ITEM. EX: [2] IS ELT-36016
 (SPADE TERMINAL #6 x18-22 GA)

- [1] BLACK
- [1] GREEN-BLACK-ORANGE
- [31] WHITE-RED-GREEN
- [26] ORANGE-BLACK-WHITE
- [2] WHITE
- [2] ORANGE-BLUE-WHITE
- [27] BLUE-WHITE-BLACK
- [32] RED-GREEN-BLACK
- [3] RED
- [28] BLACK-RED-GREEN
- [20] RED-GREEN
- [21] ORANGE-GREEN
- [22] BLACK-WHITE-RED (SPARE)
- [24] RED-BLACK-WHITE
- [25] GREEN-BLACK-WHITE
- [29] RED-GREEN-WHITE
- [33] WHITE-BLACK-GREEN
- [34] ORANGE-BLACK-GREEN (HHC POWER TO RELAY)
- [30] BLACK-GREEN-WHITE
- [36] BLACK-WHITE-ORANGE
- [37] WHITE-BLUE-RED (HHC POWER TO RELAY)
- [4] GREEN (OUTER HEADER DOWN)
- [5] ORANGE (OUTER HEADER UP)
- [6] BLUE (INNER HEADER UP)
- [7] WHITE-BLACK (INNER HEADER DOWN)
- [8] RED-BLACK (INNER BIN UP)
- [9] GREEN-BLACK (INNER BIN DOWN)
- [10] ORANGE-BLACK (OUTER BIN UP)
- [11] BLUE-BLACK (OUTER BIN DOWN)
- [12] BLACK-WHITE (SPARE)
- [13] RED-WHITE (SPARE)
- [14] GREEN-WHITE (AXLE/DIRT GAP)
- [15] BLUE-WHITE (AXLE/DIRT GAP)
- [16] BLACK-RED (ELEVATION UP)
- [17] WHITE-RED (ELEVATION DOWN)
- [18] ORANGE-RED (TONGUE RIGHT)
- [19] BLUE-RED (TONGUE LEFT)
- [23] WHITE-RED-BLACK (HORN)
- [35] BLUE-ORANGE-WHITE (SPARE)

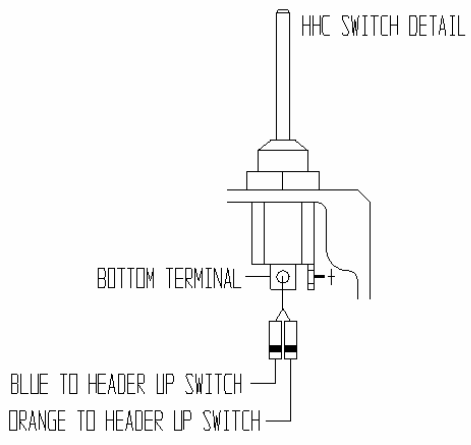
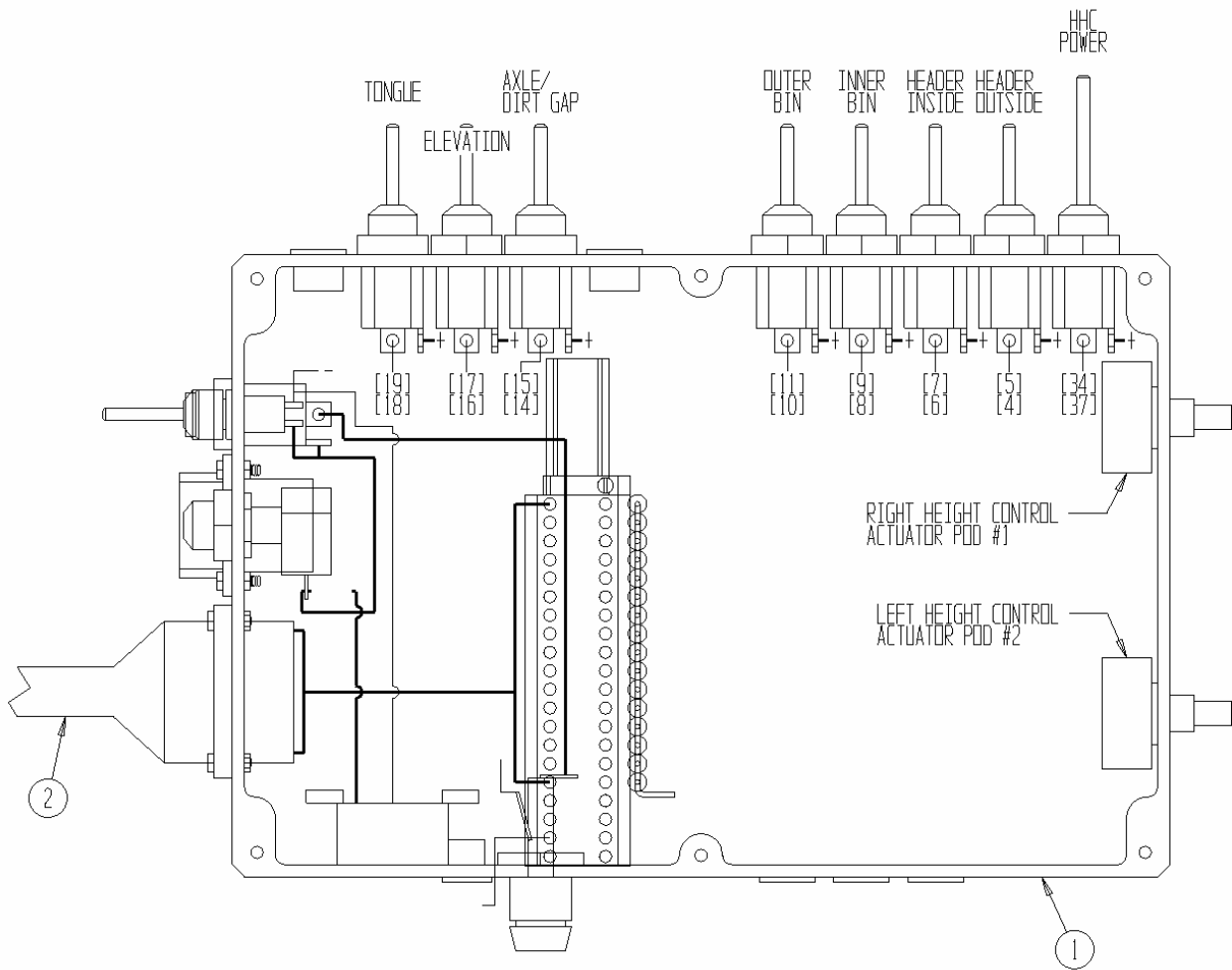


- ACTUATOR SOCKET #'S
- [1] BLACK (- TO BOARDS)
 - [2] RED (+ TO BOARDS)
 - [3] GREEN (#1 MOTOR)
 - [4] WHITE (#1 MOTOR)
 - [5] RED (#1 CONTROL)
 - [6] GREEN (#1 CONTROL)
 - [7] BLACK (#1 CONTROL)
 - [8] BLANK
 - [9] GREEN (#2 MOTOR)
 - [10] WHITE (#2 MOTOR)
 - [11] RED (#2 CONTROL)
 - [12] GREEN (#2 CONTROL)
 - [13] BLACK (#2 CONTROL)
 - [14] BLANK
 - [15] BLANK
 - [16] BLANK

3006-11-3 Electrical for Control Box

<u>Ref</u>	<u>Part No.</u>	<u>Description</u>	<u>Parts – Assembly</u>	<u>Will Fit SN</u>	<u>Remarks</u>
1	EL-0014	2006 Cuc. Control Box w/ Double HHC	1	2006	
2	ELC-3000	Control Box Power Cord (3000 machine)	1		

3006-11-3

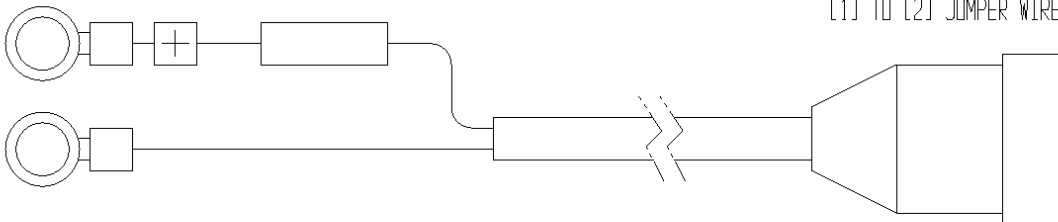


3006-11-4 Shaft Monitor Assembly

<u>Ref</u>	<u>Part No.</u>	<u>Description</u>	<u>Parts – Assembly</u>	<u>Will Fit SN</u>	<u>Remarks</u>
0	CL-28	1 3/4" SS Gear Clamp	5		
0	ELM-0101	Battery Cable for Dickey-john Box	1		
0	ELM-0102	SENSOR CABLE (SHAFT MONITOR)	1	ELM-106-K	
0	ELM-106-A	Tach Shaft Monitor, 10 Console	1		
0	ELM-106-B	Mounting Hardware	1		
0	ELM-106-C	Manual	1		
0	ELM-106-D	Reed Switch Kit, 1"			

3006-11-4

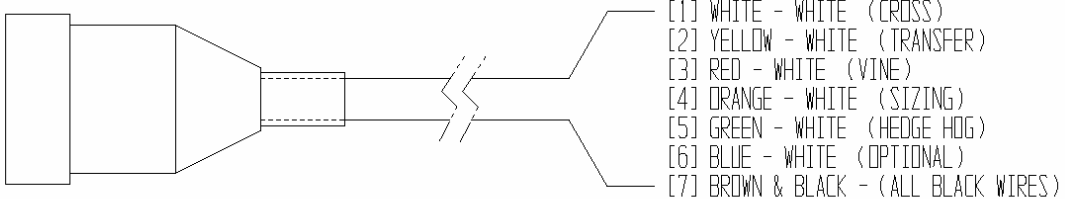
ELM-0101



NOTES:
 THE NUMBERS IN [] ARE THE
 RECEPTACLE PIN NUMBERS.
 [13] BLACK
 [16] WHITE
 [1] TO [2] JUMPER WIRE

ELM-0102

NOTES:
 THE NUMBERS IN [] ARE THE
 RECEPTACLE PIN NUMBERS.



NOTES:
 ALL WHITE WIRES CONNECT TO THE
 (A) SIDE OF THE PLUG BODY,
 ALL BLACK WIRES CONNECT TO THE
 (B) SIDE OF THE PLUG BODY, AND
 CONNECT TO THE BROWN & BLACK
 WIRES OF THE 22/10 WIRE.

[1] WHITE - WHITE (CROSS)
 [2] YELLOW - WHITE (TRANSFER)
 [3] RED - WHITE (VINE)
 [4] ORANGE - WHITE (SIZING)
 [5] GREEN - WHITE (HEDGE HOG)
 [6] BLUE - WHITE (OPTIONAL)
 [7] BROWN & BLACK - (ALL BLACK WIRES)