

# NLE7F

## Energy-optimized Compressor

### R134a

### 220-240V 50Hz

Data Sheet (Replaces CG.43.N2.02)

#### General

Compressor	NLE7F
Code number	105G6702

#### Application

Application	LBP
Evaporating temperature range	°C -35 to -10
Voltage range	V/Hz 198 - 254 /50
Motor type	RSIR/RSCR
Max. ambient temperature	°C 38
Comp. cooling at ambient temp.	32°C S
	38°C S

#### Design

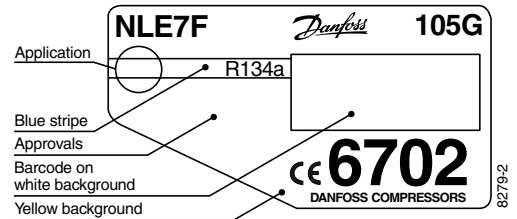
Displacement	cm <sup>3</sup>	7.27
Oil quantity	cm <sup>3</sup>	290
Maximum refrigerant charge	g	400
Free gas vol. in compressor	cm <sup>3</sup>	2310
Weight without electrical equipment	kg	10.1

#### Motor

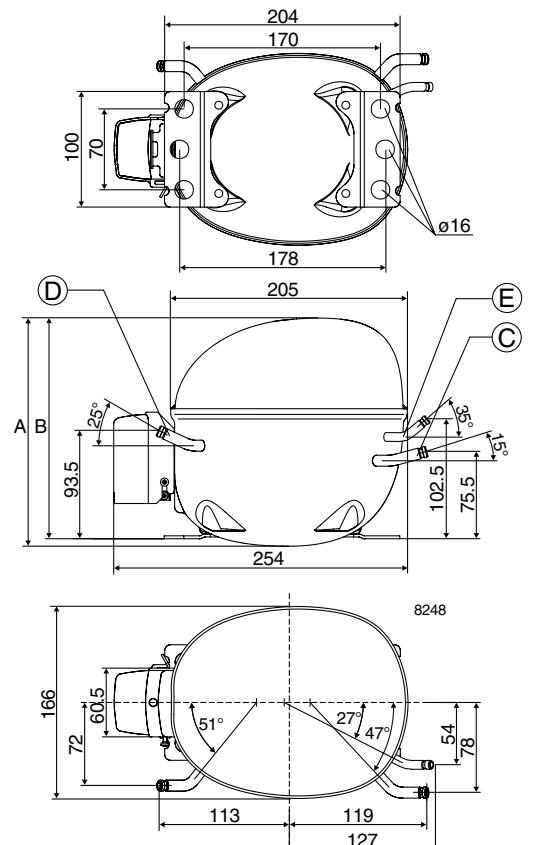
Motor size	watt	140
LRA (rated after 4 sec. UL984) LST	A	5.0
Cut-in current LST	A	9.4
Resistance, main and start winding (25°C)	Ω	14.9/17.9
Approvals	EN 60335-2-34 with Annex AA	

#### Dimensions

Height	mm	A	197
		B	191
Suction connector	location/I.D. mm	C	6.2 ±0.09
Process connector	location/I.D. mm	D	6.2 ±0.09
Discharge connector	location/I.D. mm	E	5.0 +0.12/+0.20
Compressors on a pallet	pcs.		80



- S = Static cooling normally sufficient
- O = Oil cooling
- F<sub>1</sub> = Fan cooling 1.5 m/s  
(compressor compartment temperature equal to ambient temperature)
- F<sub>2</sub> = Fan cooling 3.0 m/s necessary



**Capacity (EN 12900/CECOMAF)**

**watt**

Comp.\°C	-35	-30	-25	-23.3	-20	-15	-10
NLE7F	68	97	135	150	182	238	302

**Capacity (ASHRAE)**

**watt**

Comp.\°C	-35	-30	-25	-23.3	-20	-15	-10
NLE7F	84	119	166	185	224	293	373

**Power consumption**

**watt**

Comp.\°C	-35	-30	-25	-23.3	-20	-15	-10
NLE7F	84	107	131	139	156	181	207

**Current consumption**

**A**

Comp.\°C	-35	-30	-25	-23.3	-20	-15	-10
NLE7F	0.66	0.72	0.80	0.83	0.88	0.98	1.09

**COP (EN 12900/CECOMAF)**

**W/W**

Comp.\°C	-35	-30	-25	-23.3	-20	-15	-10
NLE7F	0.81	0.90	1.03	1.08	1.17	1.32	1.46

**COP (ASHRAE)**

**W/W**

Comp.\°C	-35	-30	-25	-23.3	-20	-15	-10
NLE7F	1.00	1.11	1.27	1.33	1.44	1.62	1.80

Test conditions	EN 12900/CECOMAF	ASHRAE
Condensing temperature	55°C	55°C
Ambient and suction gas temp.	32°C	32°C
Liquid temperature	55°C	32°C
Static cooling, 220V 50Hz,		
PTC consumption incl.		

**Accessories**

Devices	Fig.	NLE7F
PTC starting device	6.3 mm spades	a1
	4.8 mm spades	(pos.1)
PTC starting device	6.3 mm spades	a1
	4.8 mm spades	(pos.2)
Cover	b	103N2010
Cord relief	d	103N1010
Run capacitor 4 µF (optional)	6.3 mm spades	e
	4.8 mm spades	
Protection screen for PTC	g	103N0476
Mounting accessories	Bolt joint for one compressor	118-1917
	Bolt joint in quantities	118-1918
	Snap-on in quantities	118-1919

