



Parts Catalog

XL  & **XL**  *ci*

Folding Wheelchair

Physipro is a leading provider of high quality seating and mobility products.

XL5 Folding Wheelchair
Table of contents

SIMPLE CROSSBRACE 3
 DOUBLE CROSSBRACE 5
 XL5ci CROSSBRACE CHAIR..... 7
 REAR FRAME 9
 STD. FRONT FRAME 10
 FRONT FRAME (HEMI) 12
 FRONT WHEEL 14
 REAR WHEEL 16
 WHEEL LOCK..... 20
 ANTI-TIP 22
 ARMREST TYPE « L »..... 23
 ARMREST TYPE « U »..... 24
 ARMREST TYPE « T »..... 27
 SIDE GUARD 29
 AJUSTABLE BACKPOST CANE 30
 FOLDABLE BACKPOST CANE 32
 DYNAMIC BACKREST..... 34
 LEGREST SUPPORT 35
 ELEVATING LEGREST WITH LENGTH COMPENSATION..... 37
 STANDARD FOOTPLATE 39
 ANGLE AND DEPTH ADJUSTABLE FOOTPLATE..... 40
 ANGLE ADJUSTABLE PUSH HANDLES..... 42
 TENSION BAR..... 43
 TENSION BAR + HEADREST SUPPORT..... 44

XL5 Folding Wheelchair
SIMPLE CROSSBRACE

NO.	DRWG. NO.	DESCRIPTION	MSRP
1	ST-02921	RIVET NUT M5.08X3.3	\$2,00
2	PH-00948	HINGE X-SMALL	\$8,00
2	PH-00949	HINGE SMALL	\$8,00
2	PH-00950	HINGE MEDIUM	\$10,00
2	PH-00951	HINGE LARGE	\$10,00
3	PH-00952	TUBE CONNECTOR 1	\$14,00
4	PH-00954	TUBE CONNECTOR 1, 2 & 3	\$20,00
4	PH-00956	TUBE CONNECTOR 4 & 5	\$20,00
5	PH-00961	SPACER 15/16 CROSS-BRACES H.D.	\$6,00
6	PH-00964	PIVOT BEARING STD	\$2,00
7	PH-00968	CROSS BRACES EXTENSION	\$18,00
8	PH-00971	SEAT ANCHOR 15"	\$8,00
8	PH-00973	SEAT ANCHOR 17"	\$10,00
8	PH-00975	SEAT ANCHOR 19"	\$12,00
9	PH-01001	CROSS BRACES STD. / S. / RIGHT	\$78,00
10	PH-01002	CROSS BRACES STD. / S. / LEFT	\$78,00
11	ST-02533	TUBE SPACER Ø1	\$2,00
12	ST-02575	TEFLON FLAT WASHER Ø.2527IDX1/2ODX.06	\$4,00
13	ST-02576	TEFLON FLAT WASHER .317IDX1/2X.062	\$2,00
14	ST-02625	INSERT PLUG Ø1	\$2,00
15	ST-02672	WASHER FLAT FIBER 3/4IDX1ODX1/32THK.	\$2,00
16	ST-50087	BHCS ZIB M5X0.8X16	\$2,00
17	ST-50290	ECA ZIB M6X1.0	\$2,00
18	ST-50291	ECA ZIB M8X1.25	\$2,00
19	ST-50939	HHCS ZIB M6X1.0X45	\$2,00
20	ST-50981	HHCS ZIB M8X1.25X80	\$2,00
21	ST-51916	NUT COVER CAP M8	\$2,00
22	ST-02920	WASHER FLAT FIBER 3/4IDX1ODX1/16THK. *	\$2,00

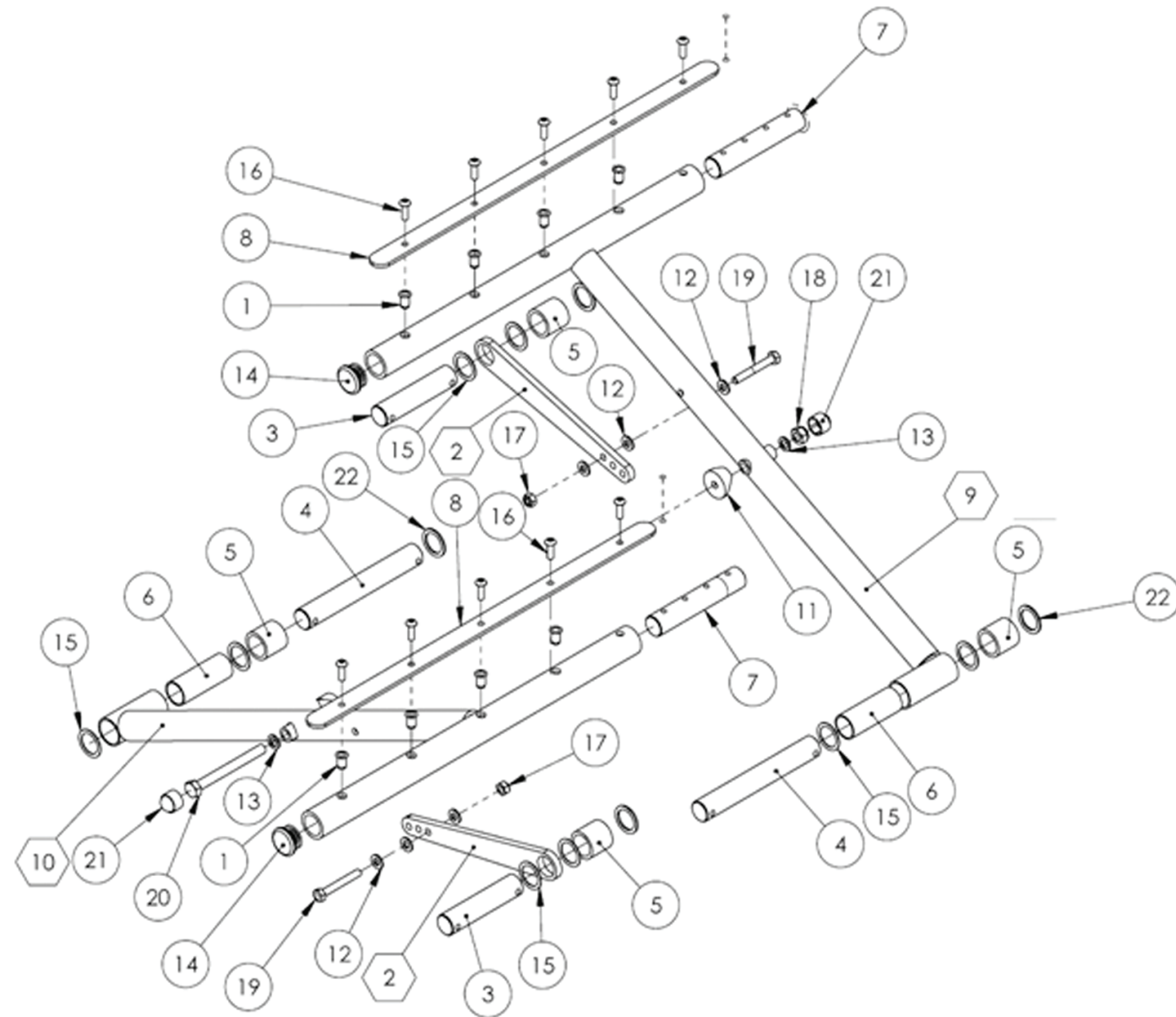
TO ORDER A COMPLETE SET, PLEASE PROVIDE THE DESIRED DIMENSIONS AS SHOWN BELOW:

DIM1820S: MSRP = \$324 DIM1820D: MSRP = \$478

DIM = DIMENSIONS
 CI= INTERIOR CROSS BRACES
 18 = WIDTH IN INCHES
 20 = DEPTH IN INCHES
 S or D = SIMPLE or DOUBLE

Write DIM
 Write CI if the cross brace close inside the frame
 Write your choice of WIDTH (ex. : 18")
 Write your choice if DEPTH (ex. : 20")
 Write if it's Simple or Double cross braces

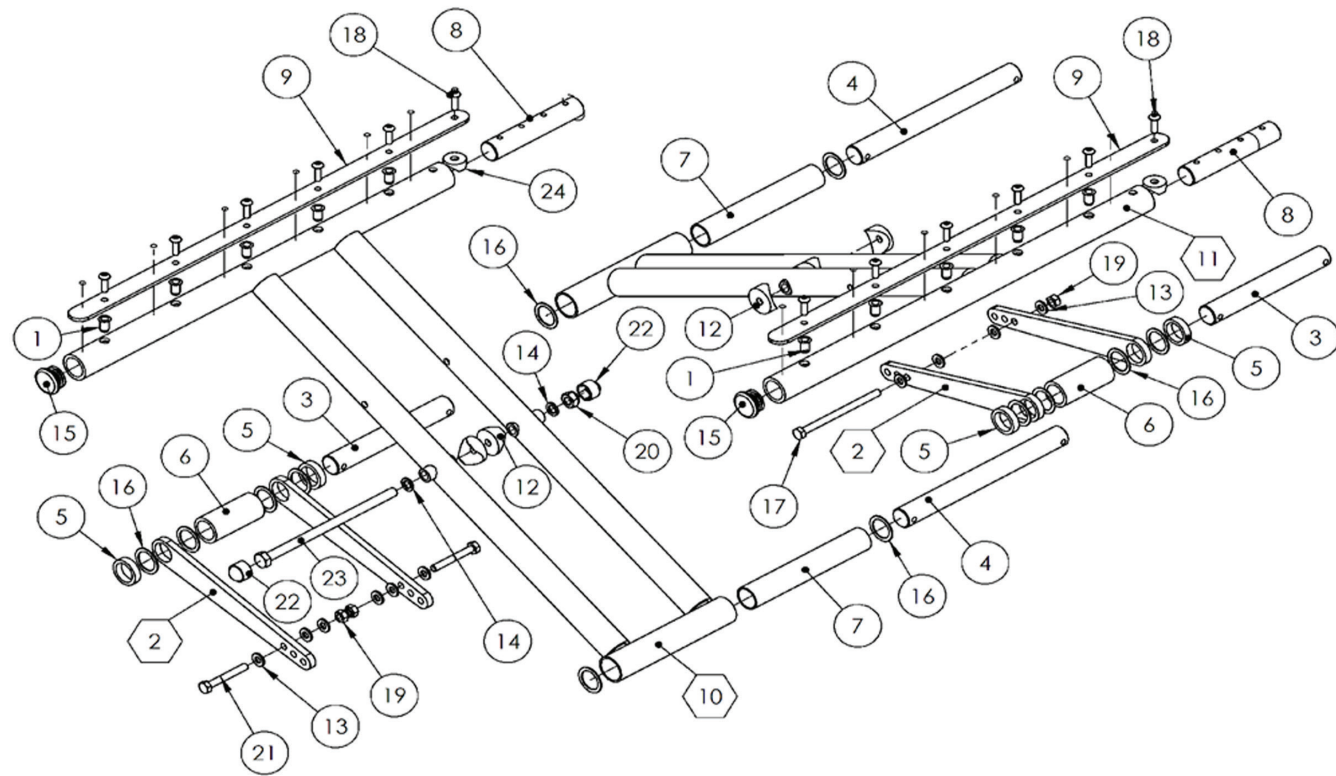
XL5 Folding Wheelchair
SIMPLE CROSSBRACE



XL5 Folding Wheelchair
DOUBLE CROSSBRACE

NO.	DRWG. NO.	DESCRIPTION	MSRP
1	ST-02921	NUT COVER CAP M8	\$2,00
2	PH-00948	HINGE X-SMALL	\$8,00
2	PH-00949	HINGE SMALL	\$8,00
2	PH-00950	HINGE MEDIUM	\$10,00
2	PH-00951	HINGE LARGE	\$10,00
3	PH-00956	TUBE CONECTOR 4 & 5	\$20,00
4	PH-00958	TUBE CONNECTOR 6 & 7	\$20,00
5	PH-00959	SPACER 1/4 CROSS-BRACES DBL.	\$6,00
6	PH-00963	SPACER 2-3/16 CROSS-BRACES DBL.	\$6,00
7	PH-00966	PIVOT BEARING DBL.	\$2,00
8	PH-00968	CROSS-BRACES EXTENSION	\$18,00
9	PH-00971	SEAT ANCHOR 15"	\$8,00
9	PH-00973	SEAT ANCHOR 17"	\$10,00
9	PH-00975	SEAT ANCHOR 19"	\$12,00
10	TO ORDER	CROSS BRACES DBL. / RIGHT	\$107,00
11	TO ORDER	CROSS BRACES DBL. / LEFT	\$107,00
12	ST-02533	TUBE SPACER Ø1	\$2,00
13	ST-02575	TEFLON FLAT WASHER Ø.257IDX1/2ODX.062	\$4,00
14	ST-02576	TEFLON FLAT WASHER Ø.317IDX1/2ODX.062	\$2,00
15	ST-02625	TUBE BOUCHON Ø1	\$2,00
16	ST-02672	WASHER FLAT FIBER 3/4IDX1ODX1/32THK.	\$2,00
17	ST-02716	HHCS ZIB M6X1.0X90	\$6,00
18	ST-50087	BHCS ZIB M5X0.8X16	\$2,00
19	ST-50290	ECA ZIB M6X1.0	\$2,00
20	ST-50291	ECA ZIB M8X1.25	\$2,00
21	ST-50939	HHCS ZIB M6X1.0X45	\$2,00
22	ST-51916	NUT COVER CAP M8	\$2,00
23	ST-51942	HHCS ZIB M8X1.25X150	\$6,00
24	ST-02532	TUBE SPACER Ø3/4	\$2,00

XL5 Folding Wheelchair
DOUBLE CROSSBRACE

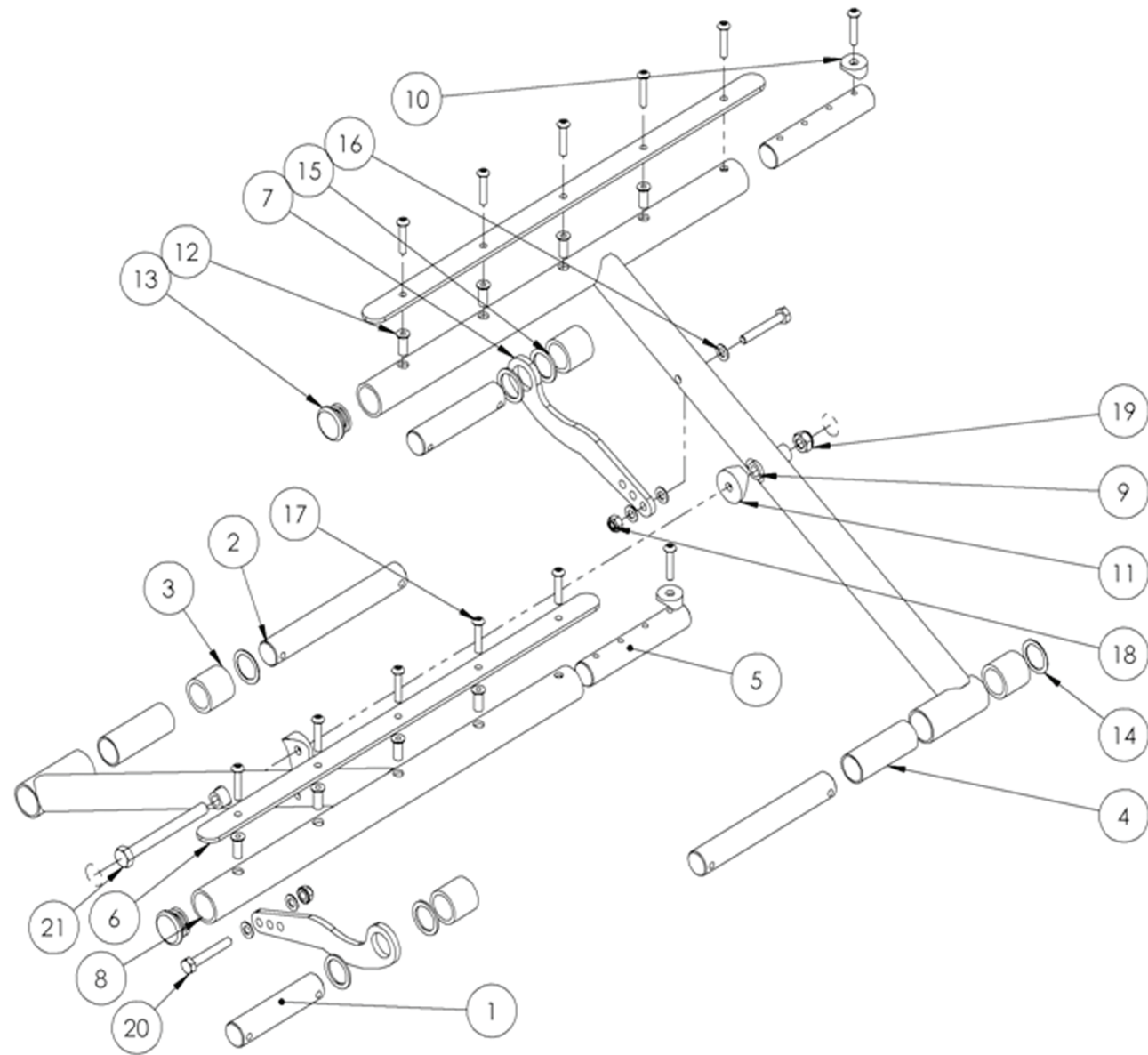


XL5 Folding Wheelchair
XL5ci CROSSBRACE CHAIR

NO.	DRWG. NO.	DESCRIPTION	MSRP
A	01-00010	CI CROSS-BRACE	\$372,00

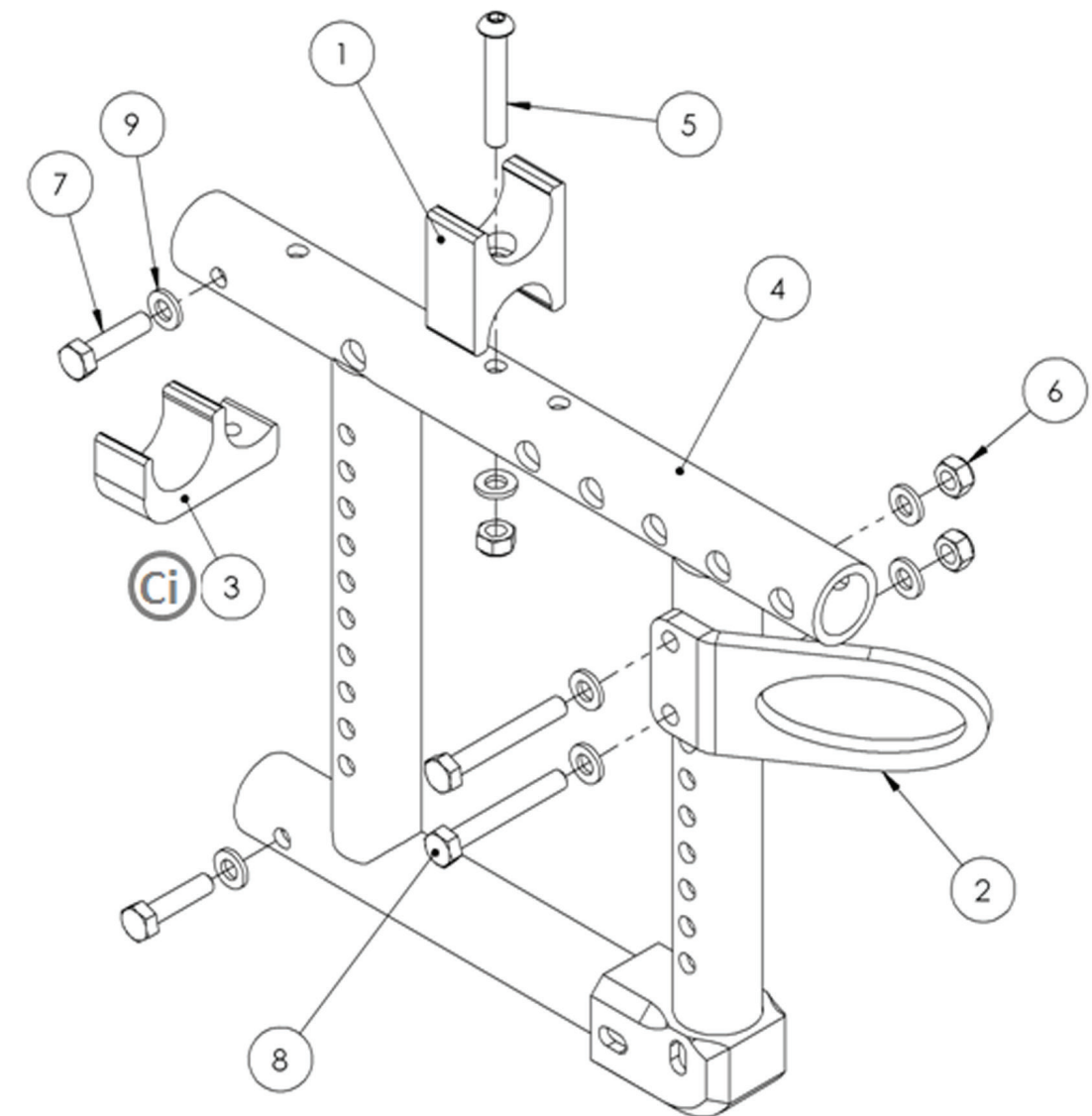
NO.	DRWG. NO.	DESCRIPTION	MSRP
1	PH-00954	TUBE CONNECTOR 1, 2 & 3	\$20,00
2	PH-00956	TUBE CONNECTOR 4 & 5	\$20,00
3	PH-00961	SPACER 15/16 CROSS-BRACE H.D.	\$6,00
4	PH-00964	BUSHING PIVOT STD	\$2,00
5	PH-00968	CROSS-BRACE EXTENSION	\$18,00
5	PH-01537	CROSS-BRACE EXTENSION	\$18,00
6	PH-00971	SEAT HOLDER 14" 15" 16" 17"	\$8,00
6	PH-00972	SEAT ANCHOR 18" 19"	\$10,00
6	PH-00975	SEAT ANCHOR 20" 21"	\$12,00
7	PH-03032	HINGE X-SMALL	\$10,00
7	PH-03033	HINGE SMALL	\$10,00
7	PH-03034	HINGE MEDIUM	\$12,00
7	PH-03035	HINGE LARGE	\$12,00
8	TO ORDER	CROSS BRACES (STD CI)/ S / R-17"	\$70,00
9	TO ORDER	CROSS BRACES (STD CI) / S /R-17"	\$70,00
10	ST-02532	SADDLE 3/4	\$2,00
11	ST-02533	SADDLE Ø1"	\$2,00
12	ST-02594	RIVET NUT #10-32 ALUMINUM	\$2,00
13	ST-02625	Ø1 ROUND TUBING PLUG	\$2,00
14	ST-02672	FLAT WASHER FIBER 3/4IDX1ODX1/32THK.W-56F	\$2,00
15	ST-02920	FLAT WASHER FIBER 3/4IDX1ODX1/16THK.W-57F	\$2,00
16	ST-03018	NYLON FLAT WASHER 1/4"	\$6,00
17	ST-03144	PHILIPS SCREW 10-32 x 1 Zinc	\$2,00
18	ST-50278	NYLON LOCK NUT M6 X 1.0 SS	\$2,00
19	ST-50291	ECA ZIB M8X1.25	\$2,00
20	ST-50922	HEX M6 X 40MM SST	\$2,00
21	ST-50961	HHCS SS M8X1.25X80	\$4,00

XL5 Folding Wheelchair
XL5ci CROSSBRACE CHAIR



XL5 Folding Wheelchair
REAR FRAME

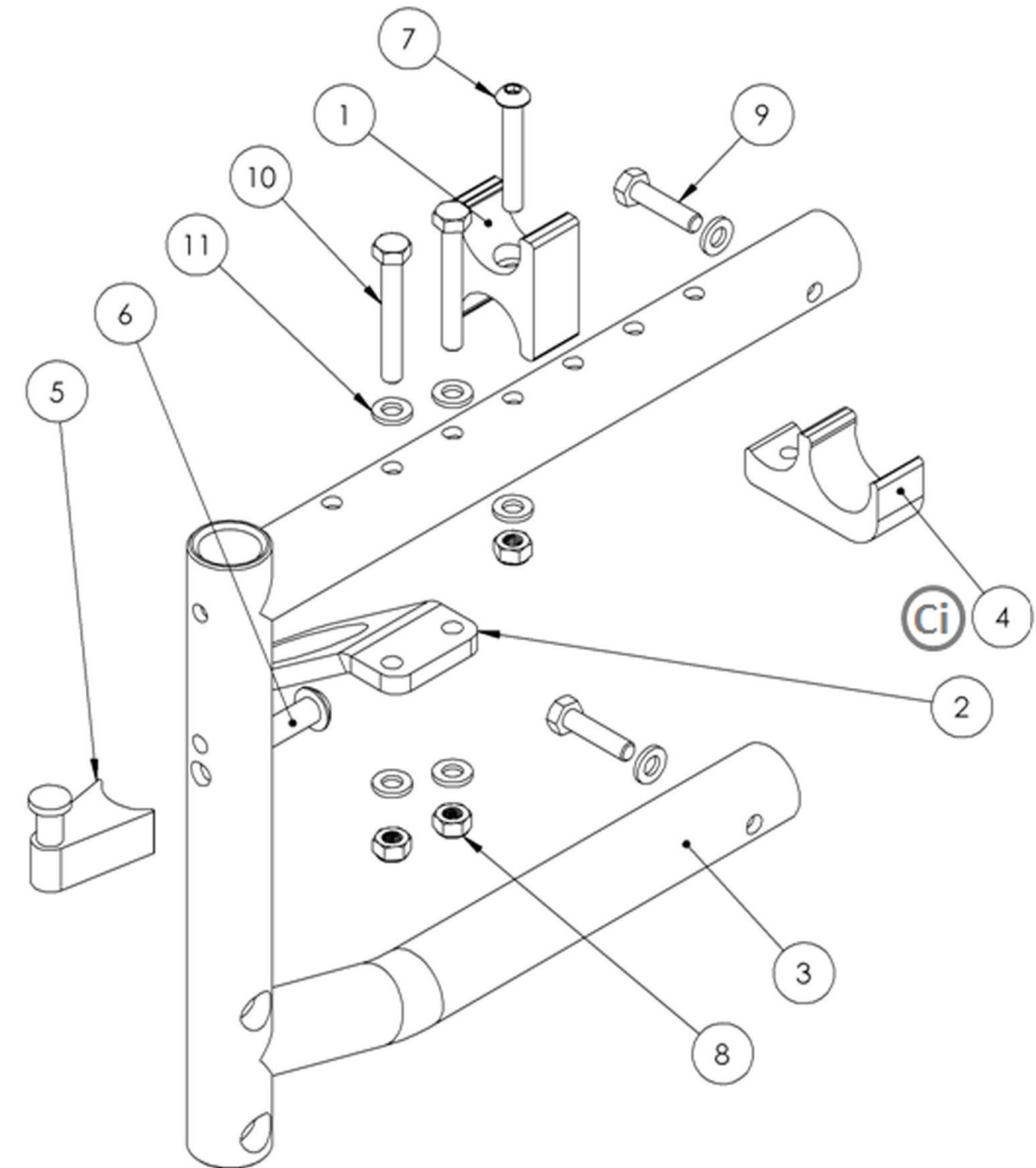
NO.	DRWG. NO.	DESCRIPTION	MSRP
1	PH-00969	CROSS-BRACE SPACER	\$18,00
2	PH-00970	TRANSIT ANCHOR	\$36,00
3	PH-01860	CROSS-BRACE SPACER (CI)	\$20,00
4	PH-02249	REAR FRAME WELDING ASSY.	\$126,00
5	ST-50121	BHCS M6 X 1.0 X 40 SS	\$2,00
6	ST-50278	NYLON LOCK NUT M6 X 1.0 SS	\$2,00
7	ST-50920	HEX M6 X 25MM SST	\$2,00
8	ST-50923	HEX M6 X 45MM SST	\$2,00
9	ST-51066	FLAT WASHER M6 SS	\$2,00



XL5 Folding Wheelchair
STD. FRONT FRAME

NO.	DRWG. NO.	DESCRIPTION	MSRP
1	PH-00969	CROSS-BRACE SPACER	\$18,00
2	PH-00970	TRANSIT ANCHOR	\$36,00
3	PH-03414	FRONT FRAME STD MINI (RIGHT)	\$134,00
3	PH-01019	FRONT FRAME STD SMALL (RIGHT)	\$84,00
3	PH-01021	FRONT FRAME STD MEDIUM (RIGHT)	\$86,00
3	PH-01023	FRONT FRAME STD LONG (RIGHT)	\$138,00
3	PH-3418	FRONT FRAME STD MINI (LEFT)	\$134,00
3	PH-02121	FRONT FRAME STD SMALL (LEFT)	\$84,00
3	PH-02122	FRONT FRAME STD MEDIUM (LEFT)	\$86,00
3	PH-02123	FRONT FRAME STD LONG (LEFT)	\$138,00
3	PH-03810DR	FRONT FRAME STD H.D. MINI (RIGHT)	\$177,00
3	PH-03809DR	FRONT FRAME STD H.D. SMALL (RIGHT)	\$150,00
3	PH-03772	FRONT FRAME STD H.D. MEDIUM (RIGHT)	\$150,00
3	PH-03775	FRONT FRAME STD H.D. LONG (RIGHT)	\$181,00
3	PH-03810GA	FRONT FRAME STD H.D. MINI (LEFT)	\$177,00
3	PH-03809GA	FRONT FRAME STD H.D.SMALL (LEFT)	\$127,00
3	PH-03773	FRONT FRAME STD H.D. MEDIUM (LEFT)	\$128,00
3	PH-03774	FRONT FRAME STD H.D. LONG (LEFT)	\$181,00
4	PH-01860	CROSS-BRACE SPACER (Ci)	\$20,00
5	PH-03625	FOOTREST LOCK	\$22,00
6	ST-00184	BHCS BO Ø5/16-18 X 1.5	\$2,00
7	ST-50121	BHCS M6 X 1.0 X 40 SS	\$2,00
8	ST-50284	NUT NYLON M6 Zinc	\$2,00
9	ST-50920	HEX M6 X 25 MM SST	\$2,00
10	ST-50923	HEX M6 X 45MM SST	\$2,00
11	ST-51066	FLAT WASHER M6 SS	\$2,00

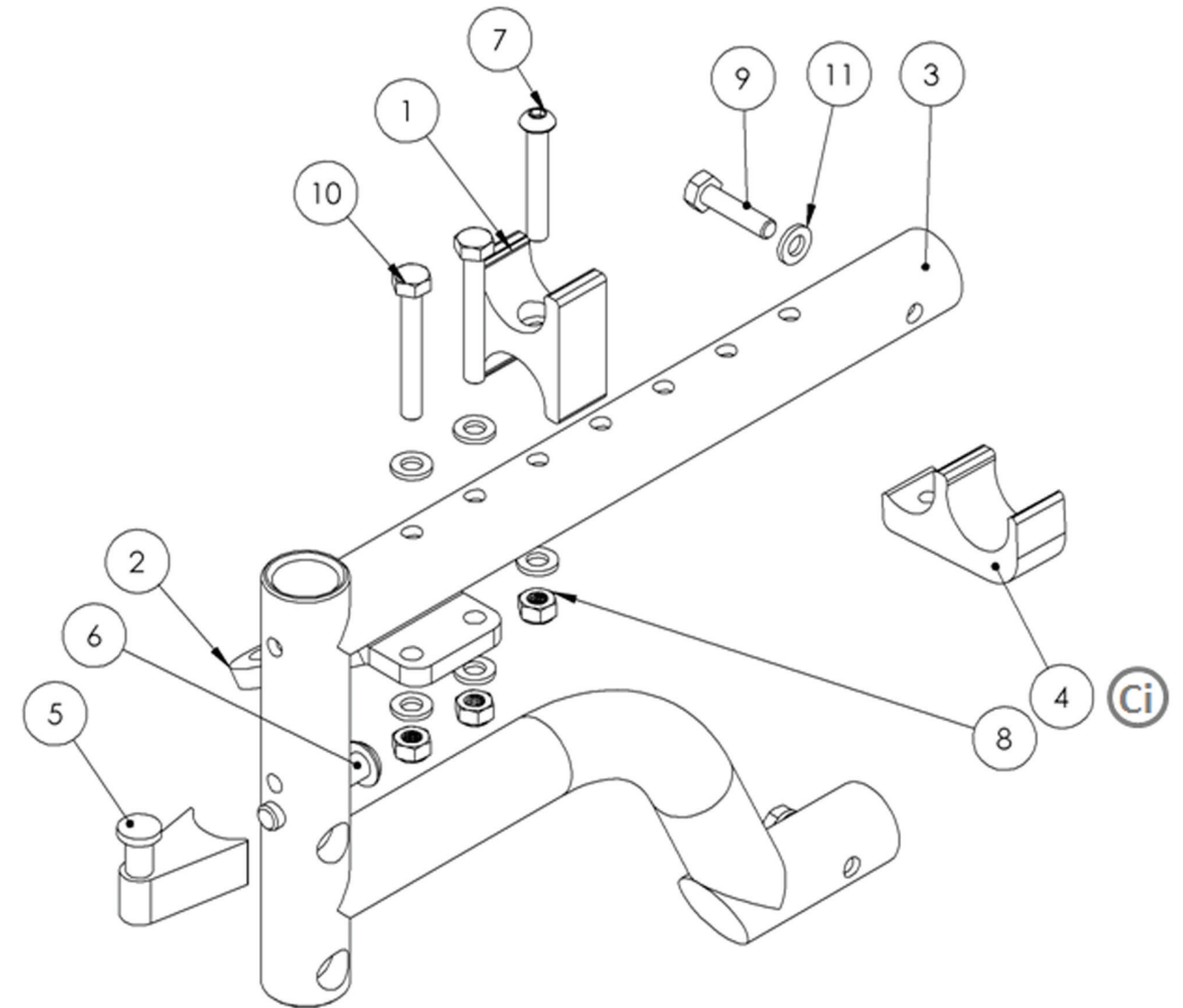
XL5 Folding Wheelchair
STD. FRONT FRAME



XL5 Folding Wheelchair FRONT FRAME (HEMI)

NO.	DRWG. NO.	DESCRIPTION	MSRP
1	PH-00969	CROSS BRACE SPACER	\$18,00
2	PH-00970	TRANSIT ANCHOR	\$36,00
3	PH-01506	FRONT FRAME HEMI MINI (RIGHT)	\$124,00
3	PH-01025	FRONT FRAME HEMI SMALL (RIGHT)	\$94,00
3	PH-01027	FRONT FRAME HEMI MEDIUM (RIGHT)	\$98,00
3	PH-01029	FRONT FRAME HEMI LONG (RIGHT)	\$126,00
3	PH-02488	FRONT FRAME HEMI MINI (LEFT)	\$124,00
3	PH-02117	FRONT FRAME HEMI SMALL (LEFT)	\$94,00
3	PH-02118	FRONT FRAME HEMI MEDIUM (LEFT)	\$98,00
3	PH-02119	FRONT FRAME HEMI LONG (LEFT)	\$126,00
3	PH-03802DR	FRONT FRAME HEMI H.D. MINI (RIGHT)	\$165,00
3	PH-03797DR	FRONT FRAME HEMI H.D. SMALL (RIGHT)	\$150,00
3	PH-03807DR	FRONT FRAME HEMI H.D. MEDIUM (RIGHT)	\$150,00
3	PH-03808DR	FRONT FRAME HEMI H.D. LONG (RIGHT)	\$168,00
3	PH-03802GA	FRONT FRAME HEMI H.D. MINI (LEFT)	\$165,00
3	PH-03797GA	FRONT FRAME HEMI H.D. SMALL (LEFT)	\$150,00
3	PH-03807GA	FRONT FRAME HEMI H.D. MEDIUM (LEFT)	\$150,00
3	PH-03808GA	FRONT FRAME HEMI H.D. LONG (LEFT)	\$168,00
4	PH-01860	CROSS BRACE SPACER (Ci)	\$20,00
5	PH-03625	FOOTREST LOCK	\$22,00
6	ST-00184	BHCS BO Ø5/16-18 X 1.5	\$2,00
7	ST-50121	BHCS M6 X 1.0 X 40 SS	\$2,00
8	ST-50284	Nut Nylon M6 Zinc	\$2,00
9	ST-50920	HEX M6 X 25 MM SST	\$2,00
10	ST-50923	HEX M6 X 45MM SST	\$2,00
11	ST-51066	FLAT WASHER M6 SS	\$2,00

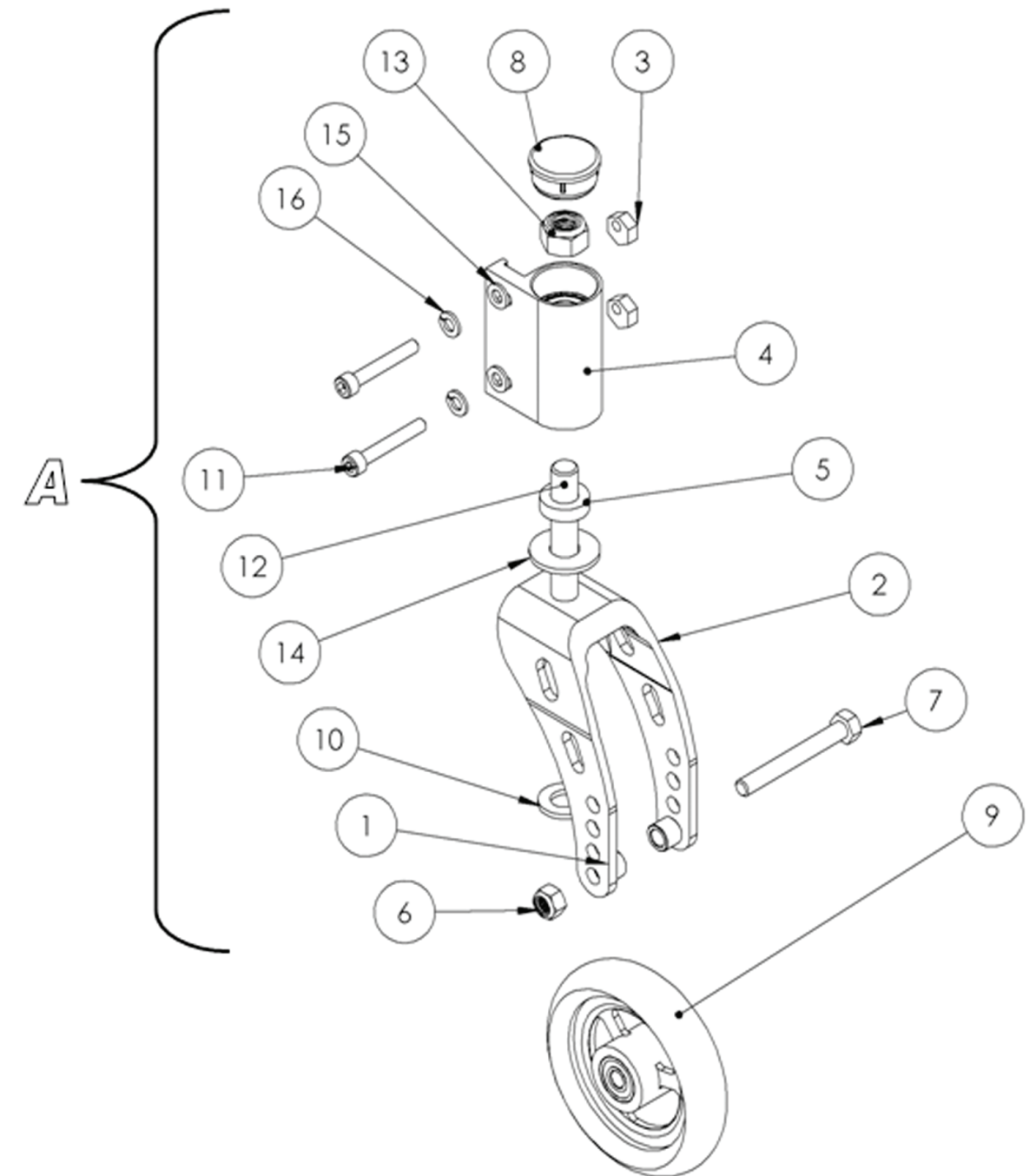
XL5 Folding Wheelchair FRONT FRAME (HEMI)



XL5 Folding Wheelchair
FRONT WHEEL

NO.	DRWG. NO.	DESCRIPTION	MSRP
A	04-00001	SHORT FRONT FORK ASSEMBLY (RIGHT)	\$144,00
A	04-00002	SHORT FRONT FORK ASSEMBLY (LEFT)	\$144,00
A	04-00016	LONG FRONT FORK ASSEMBLY (RIGHT)	\$144,00
A	04-00017	LONG FRONT FORK ASSEMBLY (LEFT)	\$144,00
NO.	DRWG. NO.	DESCRIPTION	MSRP
1	0004-104-001	AXLE WHEEL SHIM	\$6,00
2	PH-01031	1 3/4" W. LONG FORK	\$60,00
2	PH-01032	2" W. LONG FORK	\$60,00
2	PH-01033	1 3/4" W. SHORT FORK	\$60,00
2	PH-01034	2" W. SHORT FORK	\$60,00
3	PH-01497	ECCENTRIC BOLT	\$4,00
4	PH-01744	FRONT PIVOT SUPP. (RIGHT)	\$54,00
4	PH-01745	FRONT PIVOT SUPP. (LEFT)	\$54,00
5	PH-02405A	FRONT WHEEL SPACER	\$6,00
6	ST-00298	ECA ZI Ø5/16-18	\$2,00
7	ST-01346	HHCS SS Ø5/16-18 X 2-1/2	\$2,00
8	ST-02700	CAP Ø1-1/4	\$2,00
9	ST-02853	FRONT WHEEL PNEUMATIC 6" X 1 1/4"	\$58,00
9	ST-02757	FRONT WHEEL PNEUMATIC 8" X 1 1/4"	\$58,00
9	ST-02850	FRONT WHEEL PNEUMATIC 8" X 2"	\$68,00
9	ST-03167	FRONT WHEEL HARD (GRAY) 5" X 2"	\$68,00
9	ST-02820	FRONT WHEEL HARD (GRAY) 6" X 1"	\$50,00
9	ST-03140	FRONT WHEEL HARD (GRAY) 8" X 1 1/4"	\$58,00
9	ST-02844	FRONT WHEEL HARD (GRAY) 8" X 2"	\$68,00
9	ST-02823	FRONT WHEEL POLY. (HARD TIRE) 4" X 1"	\$50,00
9	ST-02444	FRONT WHEEL POLY. (HARD TIRE) 5" X 1"	\$50,00
9	ST-02458	FRONT WHEEL POLY. (HARD TIRE) 5" X 1 1/2"	\$58,00
9	ST-02460	FRONT WHEEL POLY. (HARD TIRE) 6" X 1 1/2"	\$58,00
9	ST-02821	FRONT WHEEL POLY. (HARD TIRE) 7" X 1"	\$50,00
9	ST-02461	FRONT WHEEL POLY. (HARD TIRE) 8" X 1"	\$50,00
9	ST-02462	FRONT WHEEL POLY. (HARD TIRE) 8" X 1 1/2"	\$58,00
10	ST-51100	RDIN ZI Ø12MM	\$2,00
11	ST-51486	SHCS M6 X 1.0 X 40MM SS	\$2,00
12	ST-52011	HHCS ZI M12X1.50X80	\$6,00
13	ST-52012	ECA ZI M12X1.50	\$2,00
14	ST-01580	RPBR ZI Ø1/2	\$1,00
15	ST-51066	FLAT WASHER M6 SS	\$1,00
16	ST-51829	RPE SS Ø6MM	\$1,00

XL5 Folding Wheelchair
FRONT WHEEL



XL5 Folding Wheelchair
REAR WHEEL

NO.	DRWG. NO.	DESCRIPTION	MSRP
1	PH-00263	WHEEL LOCK	\$4,00
2	PH-01669	REAR WHEEL ANCHOR (RIGHT)	\$62,00
2	PH-01668	REAR WHEEL ANCHOR (LEFT)	\$62,00
3	ST-00473	ECH ZIB Ø3/4-16	\$2,00
4	PH-01485	AXEL RING S.S.	\$14,00
5	ST-02587	NORD-LOCK WASHER Ø3/4	\$10,00
6	ST-02720	20" PLASTIC MOLDED, STD. PRESSURE	\$100,00
6	ST-02721	22" PLASTIC MOLDED, STD. PRESSURE	\$100,00
6	ST-02722	24" PLASTIC MOLDED, STD. PRESSURE	\$100,00
6	ST-02723	26" PLASTIC MOLDED, STD. PRESSURE	\$100,00
6	ST-02724	20" PLASTIC MOLDED, HIGH PRESSURE	\$100,00
6	ST-02725	22" PLASTIC MOLDED, HIGH PRESSURE	\$100,00
6	ST-02726	24" PLASTIC MOLDED, HIGH PRESSURE	\$100,00
6	ST-02728	20" PLASTIC MOLDED, HARD TIRE	\$88,00
6	ST-02729	22" PLASTIC MOLDED, HARD TIRE	\$88,00
6	ST-02730	24" PLASTIC MOLDED, HARD TIRES	\$88,00
6	ST-02732	20" SPOKE WHEEL, STD. PRESSURE	\$100,00
6	ST-02733	22" SPOKE WHEEL, STD. PRESSURE	\$100,00
6	ST-02734	24" SPOKE WHEEL, STD. PRESSURE	\$100,00
6	ST-02736	20" SPOKE WHEEL, HIGH PRESSURE	\$100,00
6	ST-02737	22" SPOKE WHEEL, HIGH PRESSURE	\$100,00
6	ST-02738	24" SPOKE WHEEL, HIGH PRESSURE	\$100,00
6	ST-02739	26" SPOKE WHEEL, HIGH PRESSURE	\$100,00
6	ST-02740	20" SPOKE WHEEL, HARD TIRE	\$88,00
6	ST-02741	22" SPOKE WHEEL, HARD TIRE	\$88,00
6	ST-02742	24" SPOKE WHEEL, HARD TIRE	\$88,00
6	ST-02743	26" SPOKE WHEEL, HARD TIRE	\$88,00
6	ST-02744	20" HD, STD. PRESSURE	\$148,00
6	ST-02745	22" HD, STD. PRESSURE	\$148,00
6	ST-02746	24" HD, STD. PRESSURE	\$148,00
6	ST-02747	26" HD, STD. PRESSURE	\$148,00
6	ST-02748	20" HD, HIGH PRESSURE	\$154,00
6	ST-02749	22" HD, HIGH PRESSURE	\$154,00
6	ST-02750	24" HD, HIGH PRESSURE	\$154,00
6	ST-02752	20" HD, HARD TIRE	\$148,00
6	ST-02753	22" HD, HARD TIRE	\$148,00
6	ST-02754	24" HD, HARD TIRE	\$148,00
6	ST-02755	26" HD, HARD TIRE	\$148,00
7	ST-50290	ECA ZIB M6X1.0	\$2,00

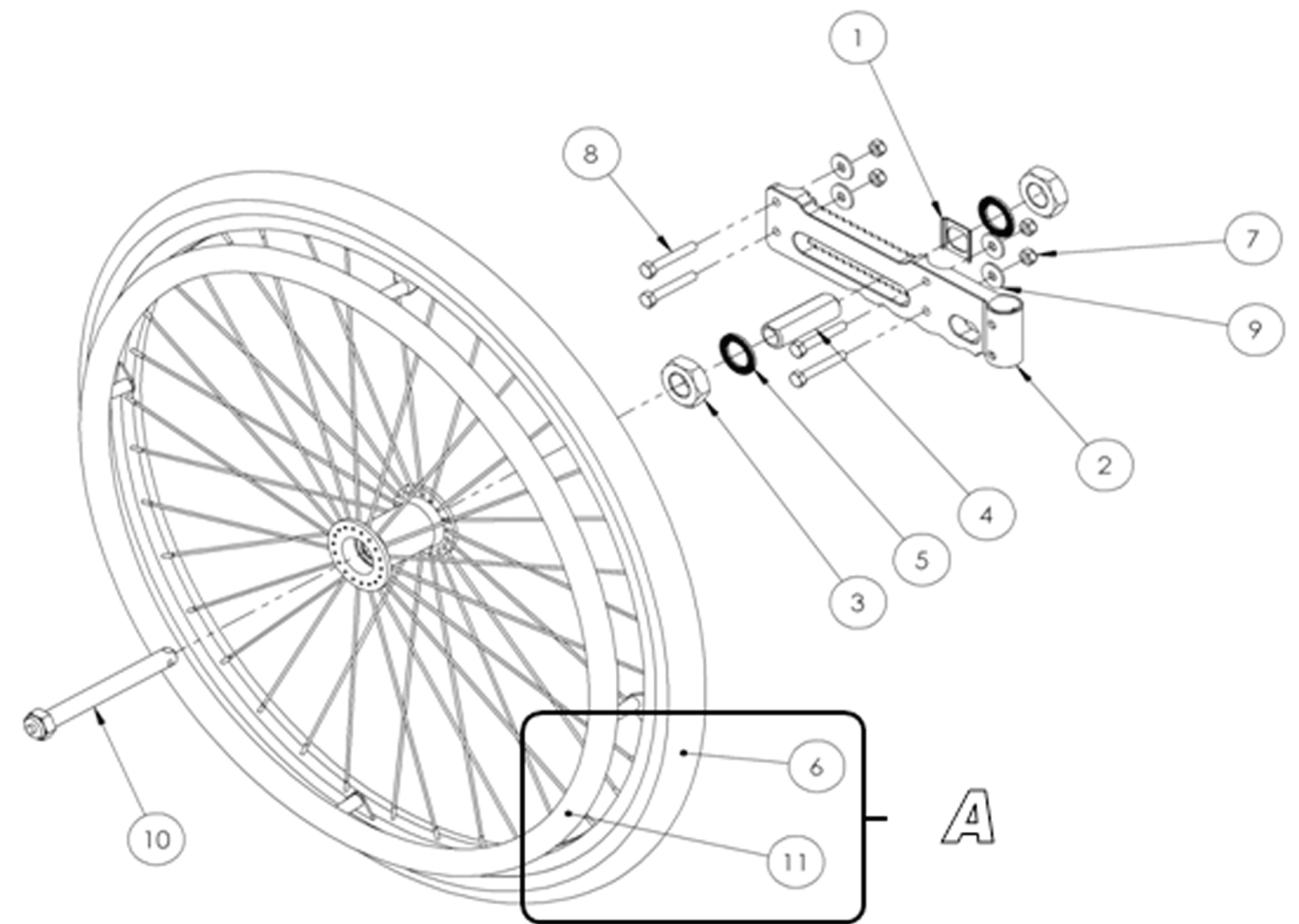
XL5 Folding Wheelchair
REAR WHEEL

NO.	DRWG. NO.	DESCRIPTION	MSRP
8	ST-50938	HHCS ZIB M6X1.0X40	\$2,00
9	ST-51126	RDIN ZIB Ø6MM	\$2,00
10	ST-51948	QUICK RELEASE AXLES 4-1/4"XØ1/2"	\$46,00
10	ST-52130	HHCS SS 1-/2-13 X 5.0	\$6,00
11	ST-52821	PLASTIC COATED HAND RIM / MAG 20" (6 holes)	\$80,00
11	ST-52822	PLASTIC COATED HAND RIM / MAG 22" (8 holes)	\$80,00
11	ST-52823	PLASTIC COATED HAND RIM / MAG 24" (8 holes)	\$80,00
11	ST-52826	ALU. HAND RIM / MAG 20" (6 holes)	\$50,00
11	ST-52827	ALU. HAND RIM / MAG 22" (8 holes)	\$50,00
11	ST-52828	ALU. HAND RIM / MAG 24" (8 holes)	\$50,00
11	ST-03210	PLASTIC COATED HAND RIM / SPOKE 20" (4 holes)	\$80,00
11	ST-03212	PLASTIC COATED HAND RIM / SPOKE 22" (6 holes)	\$80,00
11	ST-03213	PLASTIC COATED HAND RIM / SPOKE 24" (6 holes)	\$80,00
11	ST-52084	ALU. HAND RIM / SPOKE 20" (4 holes)	\$50,00
11	ST-52085	ALU. HAND RIM / SPOKE 22" (6 holes)	\$50,00
11	ST-52086	ALU. HAND RIM / SPOKE 24" (6 holes)	\$50,00
11	ST-52099	PLASTIC COATED HAND RIM / SPOKE HEAVY DUTY 20" (4 holes)	\$80,00
11	ST-52102	PLASTIC COATED HAND RIM / SPOKE HEAVY DUTY 22" (4 holes)	\$80,00
11	ST-52103	PLASTIC COATED HAND RIM / SPOKE HEAVY DUTY 24" (6 holes)	\$80,00
11	ST-52100	ALU. HAND RIM / SPOKE HEAVY DUTY 20" (4 holes)	\$50,00
11	ST-52101	ALU. HAND RIM / SPOKE HEAVY DUTY 22" (4 holes)	\$50,00
11	ST-52104	ALU. HAND RIM / SPOKE HEAVY DUTY 24" (6 holes)	\$50,00
11	ST-52113	NATURAL FIT 20"	\$360,00
11	ST-52115	NATURAL FIT 22"	\$360,00
11	ST-52117	NATURAL FIT 24"	\$360,00
NO.	DRWG. NO.	DESCRIPTION	MSRP
A	ST-02824	ALU. HANDRIM, SPOKE WHEEL PNEUMATIC STD. 20"	\$150,00
A	ST-02825	ALU. HANDRIM, SPOKE WHEEL PNEUMATIC STD. 22"	\$150,00
A	ST-02826	ALU. HANDRIM, SPOKE WHEEL PNEUMATIC STD. 24"	\$150,00
A	ST-02828	ALU. HANDRIM, SPOKE WHEEL PNEUMATIC H.P. 20"	\$150,00
A	ST-02829	ALU. HANDRIM, SPOKE WHEEL PNEUMATIC H.P. 22"	\$150,00
A	ST-02830	ALU. HANDRIM, SPOKE WHEEL PNEUMATIC H.P. 24"	\$150,00
A	ST-02836	ALU. HANDRIM H.D. SPOKE WHEEL / PNEUMATIC STD. 20"	\$198,00
A	ST-02837	ALU. HANDRIM H.D. SPOKE WHEEL / PNEUMATIC STD. 22"	\$198,00
A	ST-02838	ALU. HANDRIM H.D. SPOKE WHEEL / PNEUMATIC STD. 24"	\$198,00
A	ST-02840	ALU. HANDRIM H.D. SPOKE WHEEL / PNEUMATIC H.P. 20"	\$204,00
A	ST-02841	ALU. HANDRIM H.D. SPOKE WHEEL / PNEUMATIC H.P. 22"	\$204,00
A	ST-02842	ALU. HANDRIM H.D. SPOKE WHEEL / PNEUMATIC H.P. 24"	\$204,00
A	ST-02832	ALU. HANDRIM, SPOKE WHEEL / SEMI HARD(URETHANE) 20"	\$138,00

XL5 Folding Wheelchair
REAR WHEEL

XL5 Folding Wheelchair
REAR WHEEL

NO.	DRWG. NO.	DESCRIPTION	MSRP
A	ST-02833	ALU. HANDRIM, SPOKE WHEEL / SEMI HARD(URETHANE) 22"	\$138,00
A	ST-02834	ALU. HANDRIM, SPOKE WHEEL / SEMI HARD(URETHANE) 24"	\$138,00
A	ST-02949	ALU. HANDRIM, H.D. SPOKE WHEEL / SEMI HARD(URETHANE) 20"	\$198,00
A	ST-02950	ALU. HANDRIM, H.D. SPOKE WHEEL / SEMI HARD(URETHANE) 22"	\$198,00
A	ST-02951	ALU. HANDRIM, H.D. SPOKE WHEEL / SEMI HARD(URETHANE) 24"	\$198,00
A	ST-02582	ALU. HANDRIM, MAG. / PNEUMATIC STD. 20"	\$150,00
A	ST-02583	ALU. HANDRIM, MAG. / PNEUMATIC STD. 22"	\$150,00
A	ST-02586	ALU. HANDRIM, MAG. / PNEUMATIC STD. 24"	\$150,00
A	ST-02588	ALU. HANDRIM, MAG. / PNEUMATIC H.P. 20"	\$150,00
A	ST-02589	ALU. HANDRIM, MAG. / PNEUMATIC H.P. 22"	\$150,00
A	ST-02590	ALU. HANDRIM, MAG. / PNEUMATIC H.P. 24"	\$150,00
A	ST-02607	ALU. HANDRIM MAG. / SEMI HARD (URETHANE) 20"	\$138,00
A	ST-02608	ALU. HANDRIM MAG. / SEMI HARD (URETHANE) 22"	\$138,00
A	ST-02612	ALU. HANDRIM MAG. / SEMI HARD (URETHANE) 24"	\$138,00
A	ST-02953	PLASTIC COATED HANDRIM, SPOKE WHEEL PNEUMATIC STD. 20"	\$180,00
A	ST-02954	PLASTIC COATED HANDRIM, SPOKE WHEEL PNEUMATIC STD. 22"	\$180,00
A	ST-02955	PLASTIC COATED HANDRIM, SPOKE WHEEL PNEUMATIC STD. 24"	\$180,00
A	ST-02957	PLASTIC COATED HANDRIM, SPOKE WHEEL PNEUMATIC H.P. 20"	\$180,00
A	ST-02958	PLASTIC COATED HANDRIM, SPOKE WHEEL PNEUMATIC H.P. 22"	\$180,00
A	ST-02959	PLASTIC COATED HANDRIM, SPOKE WHEEL PNEUMATIC H.P. 24"	\$180,00
A	ST-02969	PLASTIC COATED HANDRIM, H.D. SPOKES / PNEUMATIC STD. 20"	\$228,00
A	ST-02970	PLASTIC COATED HANDRIM, H.D. SPOKES / PNEUMATIC STD. 22"	\$228,00
A	ST-02971	PLASTIC COATED HANDRIM, H.D. SPOKES / PNEUMATIC STD. 24"	\$228,00
A	ST-02973	PLASTIC COATED HANDRIM, H.D. SPOKES / PNEUMATIC H.P. 20"	\$228,00
A	ST-02974	PLASTIC COATED HANDRIM, H.D. SPOKES / PNEUMATIC H.P. 22"	\$228,00
A	ST-02975	PLASTIC COATED HANDRIM, H.D. SPOKES / PNEUMATIC H.P. 24"	\$228,00
A	ST-02961	PLASTIC COATED HANDRIM, SPOKE / SEMI HARD (URETHANE) 20"	\$168,00
A	ST-02962	PLASTIC COATED HANDRIM, SPOKE / SEMI HARD (URETHANE) 22"	\$168,00
A	ST-02963	PLASTIC COATED HANDRIM, SPOKE / SEMI HARD (URETHANE) 24"	\$168,00
A	ST-02965	PLASTIC COATED HANDRIM, H.D. SPOKE / SEMI HARD (URETHANE) 20"	\$228,00
A	ST-02966	PLASTIC COATED HANDRIM, H.D. SPOKE / SEMI HARD (URETHANE) 22"	\$228,00
A	ST-02667	PLASTIC COATED HANDRIM, H.D. SPOKE / SEMI HARD (URETHANE) 24"	\$228,00
A	ST-02977	PLASTIC COATED HANDRIM, MAG. / PNEUMATIC STD. 20"	\$180,00
A	ST-02978	PLASTIC COATED HANDRIM, MAG. / PNEUMATIC STD. 22"	\$180,00
A	ST-02979	PLASTIC COATED HANDRIM, MAG. / PNEUMATIC STD. 24"	\$180,00
A	ST-02980	PLASTIC COATED HANDRIM, MAG. / PNEUMATIC H.P. 20"	\$180,00
A	ST-02981	PLASTIC COATED HANDRIM, MAG. / PNEUMATIC H.P. 22"	\$180,00
A	ST-02982	PLASTIC COATED HANDRIM, MAG. / PNEUMATIC H.P. 24"	\$180,00
A	ST-02983	PLASTIC COATED HANDRIM, MAG. / SEMI HARD (URETHANE) 20"	\$138,00
A	ST-02984	PLASTIC COATED HANDRIM, MAG. / SEMI HARD (URETHANE) 22"	\$138,00
A	ST-02985	PLASTIC COATED HANDRIM, MAG. / SEMI HARD (URETHANE) 24"	\$138,00

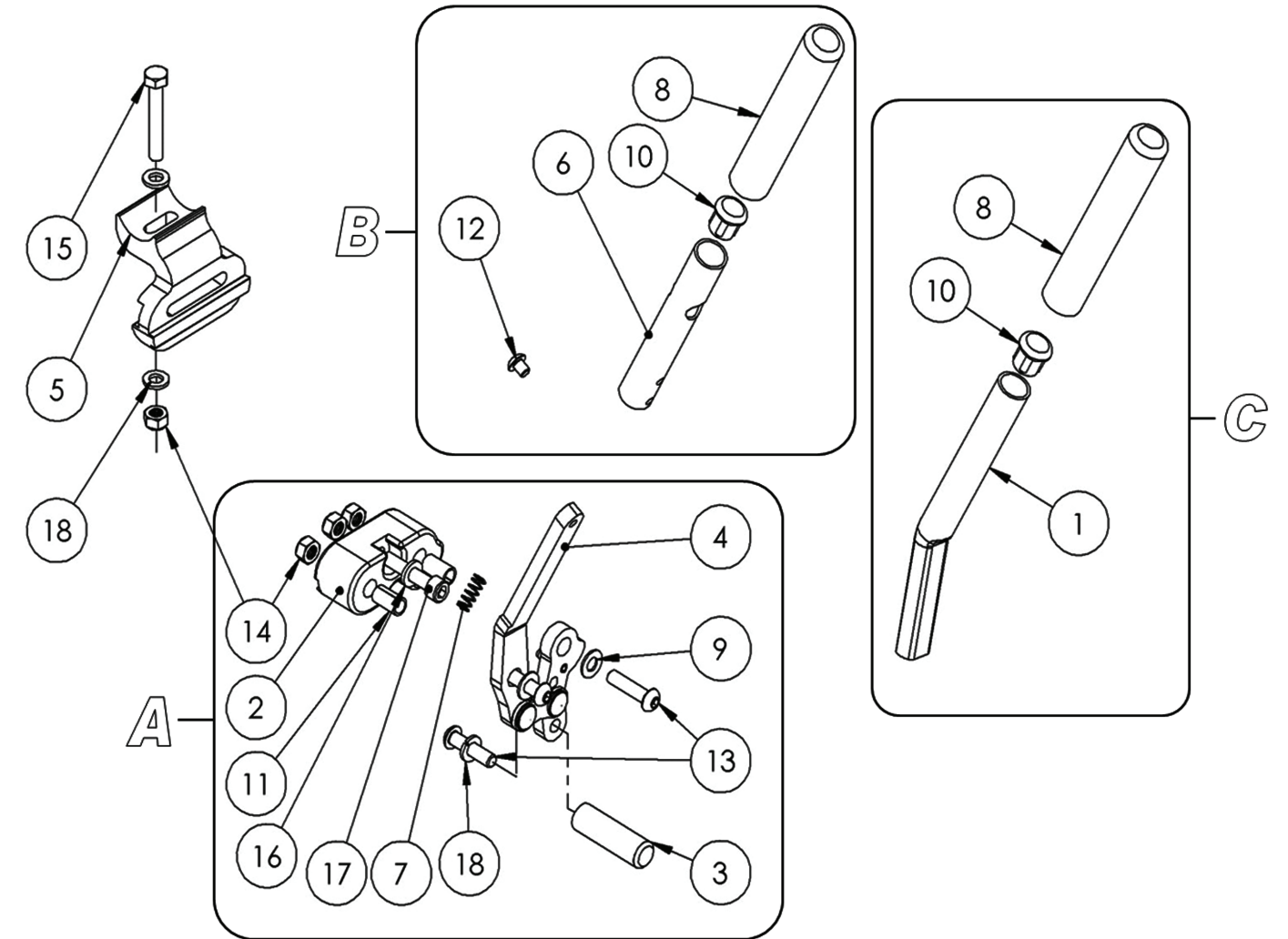


XL5 Folding Wheelchair
WHEEL LOCK

NO.	DRWG. NO.	DESCRIPTION	MSRP
A	PH-02281	BRAKE ASSEMBLY LEFT	\$102,00
A	PH-02281R	BRAKE ASSEMBLY RIGHT	\$102,00
A	PH-03439	PULL BRAKE LEFT	\$102,00
A	PH-03440	PULL BRAKE RIGHT	\$102,00
B	PH-02536	BRAKE RETRACTABLE EXTENSION HANDLE	\$39,00
C	05-00003	FIX BRAKE EXTENSION HANDLE	\$18,00

NO.	DRWG. NO.	DESCRIPTION	MSRP
1	PH-00692	WHEEL LOCK FIX EXTENSION	\$4,00
2	PH-02281DR	BRAKE CASTING BLOC (RIGHT)	\$40,00
2	PH-02281D	BRAKE CASTING BLOC (LEFT)	\$40,00
3	PH-02281E	WHEEL LOCK ROD	\$10,00
4	PH-02281i	LEFT HANDLE ASSEMBLY	\$28,00
4	PH-02281J	RIGHT HANDLE ASSEMBLY	\$28,00
4	PH-03437	LEFT PULL HANDLE ASSEMBLY	\$28,00
4	PH-03441	RIGHT PULL HANDLE ASSEMBLY	\$28,00
5	PH-02281K	BRAKE BRACKET	\$20,00
6	PH-03974	WHEEL LOCK RETRACTABLE EXTENSION HANDLE	\$24,00
7	ST-02695	RESSORT Ø.023 XØ1/4 X .596	\$2,00
8	ST-02701	BLACK SOFT TEXTURE VINYL GRIPS	\$4,00
9	ST-03020	PLASTIC WASHER 1/32"	\$2,00
10	ST-03130	CAP 5/8" / 18GA. TUBE	\$2,00
11	ST-03215	SHIM M6X14	\$2,00
12	ST-50041	BHCS BO M5X0.8X6	\$2,00
13	ST-50104	BHCS BO M6X1.0X25	\$2,00
14	ST-50284	Nut Nylon M6 Zinc	\$2,00
15	ST-50922	HEX M6 X 40MM SST	\$2,00
16	ST-51066	FLAT WASHER M6 SS	\$2,00
17	ST-51502	SHCS ZI M6 X 1.0 X 30	\$2,00
18	ST-51847	RPE ZI Ø MM	\$2,00

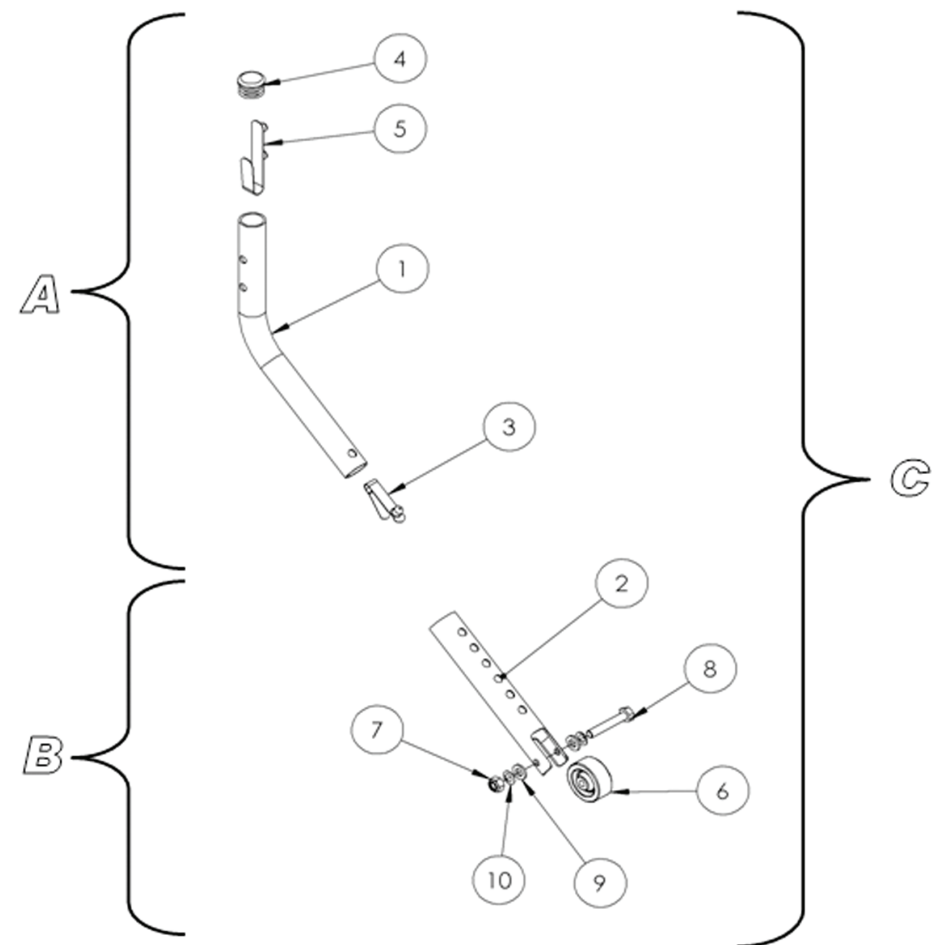
XL5 Folding Wheelchair
WHEEL LOCK



XL5 Folding Wheelchair
ANTI-TIP

NO.	DRWG. NO.	DESCRIPTION	MSRP
A	06-00001-A	UPPER ASSY., ANTI-TIP	\$24,00
B	06-00001-B	LOWER ASSY., ANTI-TIP	\$28,00
C	06-00001	ANTI-TIP	\$52,00

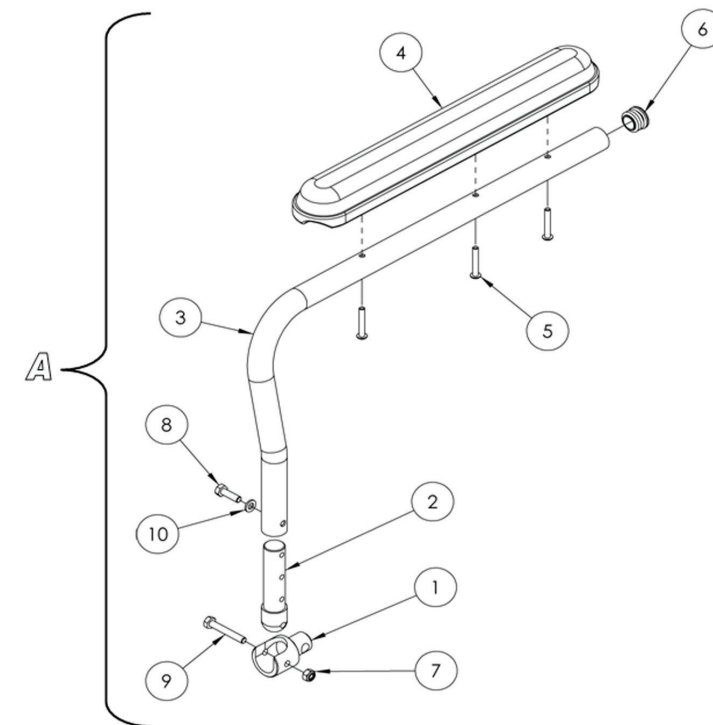
NO.	DRWG. NO.	DESCRIPTION	MSRP
1	PH-01541	TOP TUBE	\$18,00
2	PH-01542	ADJUSTMENT TUBE	\$24,00
3	ST-02617	SNAP BUTTON SINGLE END .240 OD / Ø.5-.8 TUBE	\$2,00
4	ST-02623	Ø3/4 ROUND TUBING PLUG	\$2,00
5	ST-02706	SNAP-BUTTON E-DUAL TYPE	\$4,00
6	ST-02998	PLASTIC WHEEL Ø1 1/4"	\$2,00
7	ST-50278	NYLON LOCK NUT M6 X 1.0 SS	\$2,00
8	ST-50921	HHCS SS M6X1.0X35	\$2,00
9	ST-51066	FLAT WASHER M6 SS	\$2,00
10	ST-51915	BOWED SPRING WASHER ID: 6.4 X OD: 11 X THK: .5	\$2,00



XL5 Folding Wheelchair
ARMREST TYPE « L »

NO.	DRWG. NO.	DESCRIPTION	MSRP
A	08-00001	LEFT "L" ARMREST COMPLETE ASSY.	\$158,00
A	08-00002	RIGHT "L" ARMREST COMPLETE ASSY.	\$158,00

NO.	DRWG. NO.	DESCRIPTION	MSRP
1	PH-00887	PIVOT	\$16,00
2	PH-00888	ROD	\$28,00
3	PH-00890	LEFT SHORT ARMREST	\$26,00
3	PH-00892	RIGHT SHORT ARMREST	\$26,00
3	PH-00889	LEFT LONG ARMREST	\$28,00
3	PH-00891	RIGHT LONG ARMREST	\$28,00
4	ST-02948	ARMPAD LONG	\$18,00
4	ST-02547	ARMPAD SHORT	\$20,00
4	PH-01074	LONG TUBULAR COVERING SHEATH	\$18,00
4	PH-01073	SHORT TUBULAR COVERING SHEATH	\$14,00
5	ST-00124	BHCS ZIB No10-32X1-1/4	\$2,00
6	ST-02624	Ø7/8" ROUND TUBING PLUG	\$2,00
7	ST-50290	ECA ZIB M6X1.0	\$2,00
8	ST-50935	HHCS ZIB M6X1.0X20	\$2,00
9	ST-50938	HHCS ZIB M6X1.0X40	\$2,00
10	ST-51126	RDIN ZIB Ø6MM	\$2,00



XL5 Folding Wheelchair
ARMREST TYPE « U »

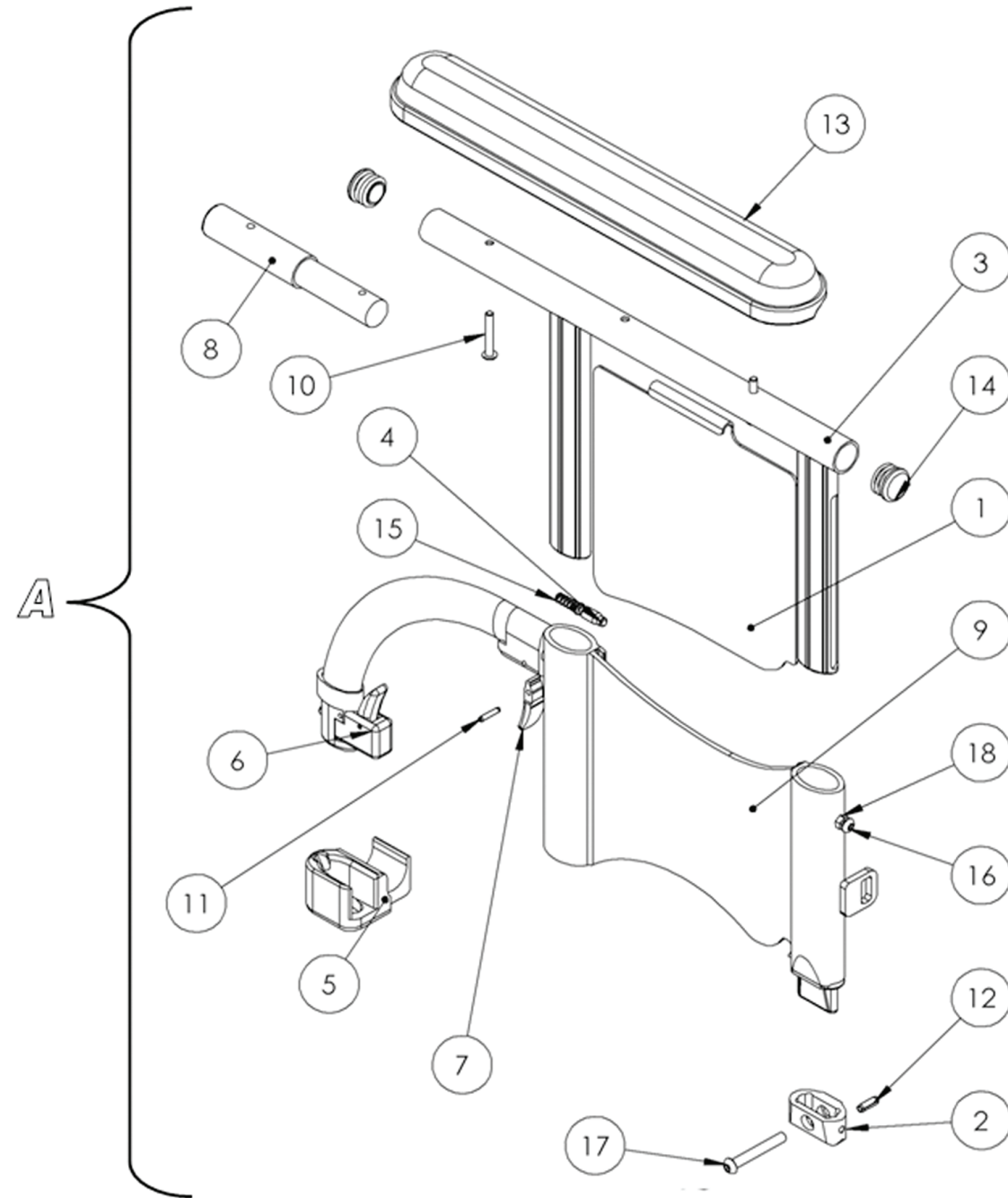
NO.	DRWG. NO.	DESCRIPTION	MSRP
1	PH-02080	SIDE GUARD(LEFT)	\$20,00
1	PH-02081	SIDE GUARD (RIGHT)	\$20,00
1	PH-03308	SIDE GUARD/ LONG (LEFT)	\$22,00
1	PH-03309	SIDE GUARD / LONG (RIGHT)	\$22,00
2	PH-02155	PIVOT BLOC	\$30,00
3	PH-02982	SHORT SLIDE ASSY.	\$60,00
3	PH-02267	MEDIUM SLIDE ASSY.	\$32,00
3	PH-03156	LONG SLIDE ASSY.	\$60,00
4	PH-02270	HANDLE UPPER PLUNGER	\$8,00
5	PH-02291	FRONT LEFT ANCHOR	\$34,00
5	PH-02291R	FRONT RIGHT ANCHOR	\$34,00
6	PH-02397	LOWER ARMREST PRE-ASSY. CLIP.	\$30,00
7	PH-02420B	PLUNGER LEVER	\$8,00
8	PH-03046	ARMPAD EXTENSION	\$70,00
9	PH-03482	MINI (LEFT) HEAVY DUTY	\$106,00
9	PH-03483	MINI (RIGHT) HEAVY DUTY	\$106,00
9	PH-03420	SMALL (LEFT) HEAVY DUTY	\$106,00
9	PH-03421	SMALL (RIGHT) HEAVY DUTY	\$106,00
9	PH-03165	MEDIUM (LEFT) HEAVY DUTY	\$106,00
9	PH-03166	MEDIUM (RIGHT) HEAVY DUTY	\$106,00
9	PH-03167	LONG (LEFT) HEAVY DUTY	\$106,00
9	PH-03168	LONG (RIGHT) HEAVY DUTY	\$106,00
9	PH-02988	SHORT (LOWER LEFT)	\$158,00
9	PH-02989	SHORT (LOWER RIGHT)	\$158,00
9	PH-02983	MEDIUM (LOWER LEFT)	\$158,00
9	PH-02984	MEDIUM (LOWER RIGHT)	\$158,00
9	PH-02990	LONG (LOWER LEFT)	\$158,00
9	PH-02991	LONG (LOWER RIGHT)	\$158,00
10	ST-00124	BHCS ZIB No10-32X1-1/4	\$2,00
11	ST-00995	SPRING PIN 1/8 X 5/8	\$2,00
12	ST-01049	GOE Ø3/16X9/16	\$2,00

XL5 Folding Wheelchair
ARMREST TYPE « U »

NO.	DRWG. NO.	DESCRIPTION	MSRP
13	ST-02547	SHORT URETHANE FOAM ARMREST PAD BLK.	\$18,00
13	ST-02948	LONG URETHANE FOAM ARMREST PAD BLK.	\$20,00
14	ST-02624	Ø7/8" ROUND TUBING PLUG	\$2,00
15	ST-02695	SPRING Ø.023 XØ1/4 X .596	\$2,00
16	ST-50072	BHCS ZI M5X0.8X12	\$2,00
17	ST-50108	BHCS BO M6X1.0X45	\$2,00
18	ST-50352	ECH ZI M5X0.8	\$2,00

NO.	DRWG. NO.	DESCRIPTION	MSRP
A	08-00063	MINI ARMREST H.D. (LEFT)	\$248,00
A	08-00064	MINI ARMREST H.D. (RIGHT)	\$248,00
A	08-00057	SHORT ARMREST H.D. (LEFT)	\$248,00
A	08-00058	SHORT ARMREST H.D. (RIGHT)	\$248,00
A	08-00051	MEDIUM ARMREST H.D. (LEFT)	\$248,00
A	08-00052	MEDIUM ARMREST H.D. (RIGHT)	\$248,00
A	08-00053	LONG ARMREST H.D. (LEFT)	\$248,00
A	08-00054	LONG ARMREST H.D. (RIGHT)	\$248,00
A	08-00045	SHORT ARMREST LOWERED. (LEFT)	\$298,00
A	08-00046	SHORT ARMREST LOWERED. (RIGHT)	\$298,00
A	08-00047	MEDIUM ARMREST LOWERED. (LEFT)	\$298,00
A	08-00048	MEDIUM ARMREST LOWERED. (RIGHT)	\$298,00
A	08-00049	LONG ARMREST LOWERED. (LEFT)	\$298,00
A	08-00050	LONG ARMREST LOWERED. (RIGHT)	\$298,00

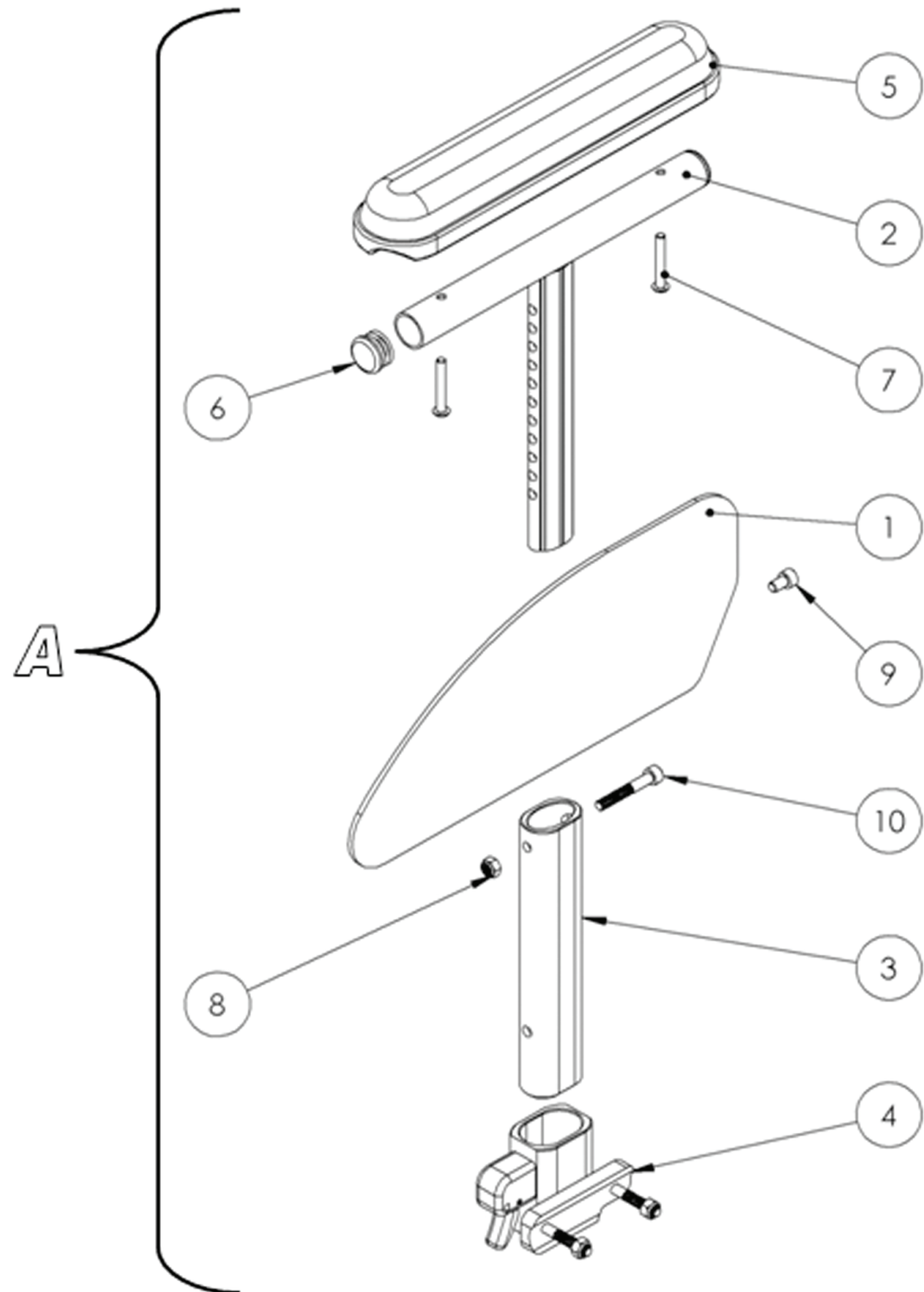
XL5 Folding Wheelchair
ARMREST TYPE « U »



XL5 Folding Wheelchair
ARMREST TYPE « T »

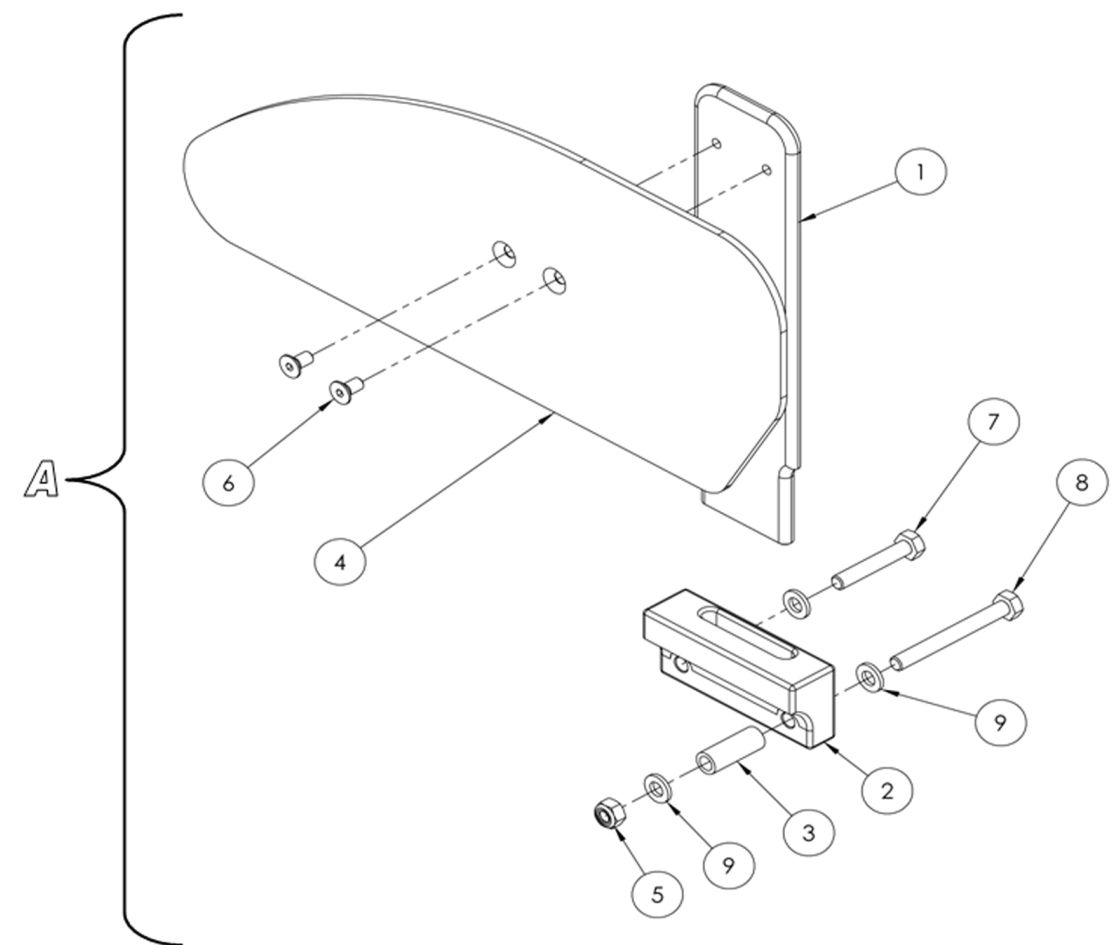
NO.	DRWG. NO.	DESCRIPTION	MSRP
A	08-00069	RIGHT T ARMREST SHORT	\$140,00
A	08-00070	LEFT T ARMREST SHORT	\$140,00
A	08-00071	RIGHT T ARMREST LONG	\$140,00
A	08-00072	LEFT T ARMREST LONG	\$140,00
NO.	DRWG. NO.	DESCRIPTION	MSRP
1	PH-03822DR	CLOTH PROTECTOR, T ARMREST (RIGHT)	\$23,00
1	PH-03822GA	CLOTH PROTECTOR, T ARMREST (LEFT)	\$23,00
2	PH-03823	UPPER ARMREST T (7-12') SHORT PAD	\$29,00
2	PH-03825	UPPER ARMREST T (8-14) LONG PAD	\$29,00
2	PH-04868	UPPER ARMREST T (8-14) SHORT PAD	\$29,00
3	PH-03828	T ARMREST TUBE (SHORT)	\$13,00
3	PH-03827	T ARMREST TUBE (LONG)	\$13,00
4	PH-03834DR	FIX ANCHORT ARMREST (RIGHT)	\$65,00
4	PH-03834GA	FIX ANCHORT ARMREST (LEFT)	\$65,00
5	ST-02547	(DESK) SHORT ARMREST PAD	\$10,00
5	ST-02948	(FULL) LONG ARMREST PAD	\$10,00
6	ST-02624	Ø7/8" ROUND TUBING PLUG	\$2,00
7	ST-50064	BHCS M5 X .8 X 35	\$2,00
8	ST-50284	NYLON NUT M6	\$2,00
9	ST-51477	SHCS M6X1.0X10	\$2,00
10	ST-51486	SHCS M6 X 1.0 X 40MM	\$2,00

XL5 Folding Wheelchair
ARMREST TYPE « T »



XL5 Folding Wheelchair
SIDE GUARD

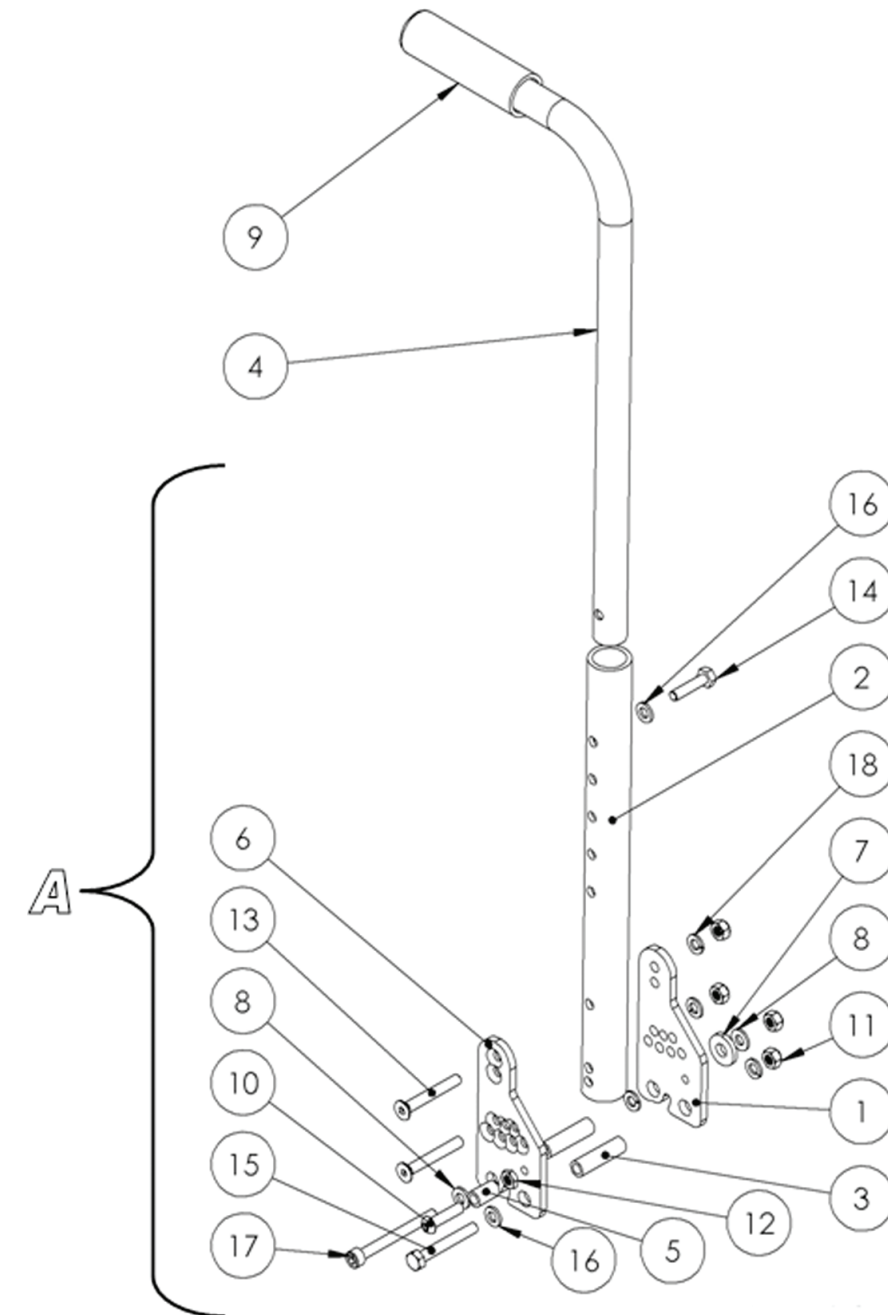
NO.	DRWG. NO.	DESCRIPTION	MSRP
A	07-00001	COMPLETE/RIGHT SIDE GUARD	80,00 \$
A	07-00002	COMPLETE/LEFT SIDE GUARD	80,00 \$
NO.	DRWG. NO.	DESCRIPTION	MSRP
1	PH-00893	SIDE GUARD SUPPORT	34,00 \$
2	PH-00894	SIDE GUARD PLATE	32,00 \$
3	PH-01367	SLEEVE	6,00 \$
4	PH-00896	SIDE GUARD RIGHT	12,00 \$
4	PH-00897	SIDE GUARD LEFT	12,00 \$
5	ST-50290	ECA ZIB M6X1.0	2,00 \$
6	ST-50512	FHCS ZIB M5X0.8X10	2,00 \$
7	ST-50937	HHCS ZIB M6X1.0X35	2,00 \$
8	ST-50941	HHCS ZIB M6X1.0X55	2,00 \$
9	ST-51126	RDIN ZIB Ø6MM	2,00 \$



XL5 Folding Wheelchair
AJUSTABLE BACKPOST CANE

NO.	DRWG. NO.	DESCRIPTION	MSRP
A	09-00013	PRE-ASSY. BACK POST SUPP. (LEFT)	\$132,00
A	09-00012	PRE-ASSY. BACK POST SUPP. (RIGHT)	\$132,00
NO.	DRWG. NO.	DESCRIPTION	MSRP
1	PH-00902	INNER ANCHOR PLATE	\$10,00
2	PH-00904	TUBE (ADJUSTABLE)	\$28,00
3	PH-00912	SLEEVE Ø3/8 X 1 3/8"	\$4,00
4	PH-00915	BACK POST Ø3/4 STRAIGHT 16-20	\$32,00
4	PH-00917	BACK POST Ø3/4 STRAIGHT 21-25	\$34,00
4	PH-00908	BACK POST Ø3/4 STRAIGHT 12-15	\$50,00
4	PH-00913	BACK POST Ø3/4 / 8 DEG. / H21-25	\$56,00
4	PH-00919	BACK POST Ø3/4 / 8 DEG. / H16-20	\$44,00
4	PH-00921	BACK POST Ø3/4 / 8 DEG. / H12-15	\$56,00
5	PH-01608A	BUSHING	\$2,00
6	PH-02294A	LEFT ANCHOR PLATE	\$26,00
6	PH-02294B	RIGHT ANCHOR PLATE	\$26,00
6	PH-03174	LEFT (HEAVY DUTY FIT)	\$22,00
6	PH-03173	RIGHT (HEAVY DUTY FIT)	\$22,00
7	ST-02494	PLASTIC WASHER 3/4	\$2,00
8	ST-02575	TEFLON FLAT WASHER Ø.257IDX1/2ODX.062	\$4,00
9	ST-03686	VINYL HANDLE SOFT TEXTURE	\$4,00
10	ST-50118	BHCS M6 X 1.0 X 25 SS	\$2,00
11	ST-50284	Nut Nylon M6 Zinc	\$2,00
12	ST-50369	NUT HEX 6MM SS	\$2,00
13	ST-50552	FHCS SS M6X1.0X45	\$2,00
14	ST-50920	HHCS SS M6X1.0 X 25	\$2,00
15	ST-50923	HEX M6 X 45MM SST	\$2,00
16	ST-51066	FLAT WASHER M6 SS	\$2,00
17	ST-51490	SHCS SS M6X1.0X60	\$2,00
18	ST-51829	RPE SS Ø6MM	\$2,00

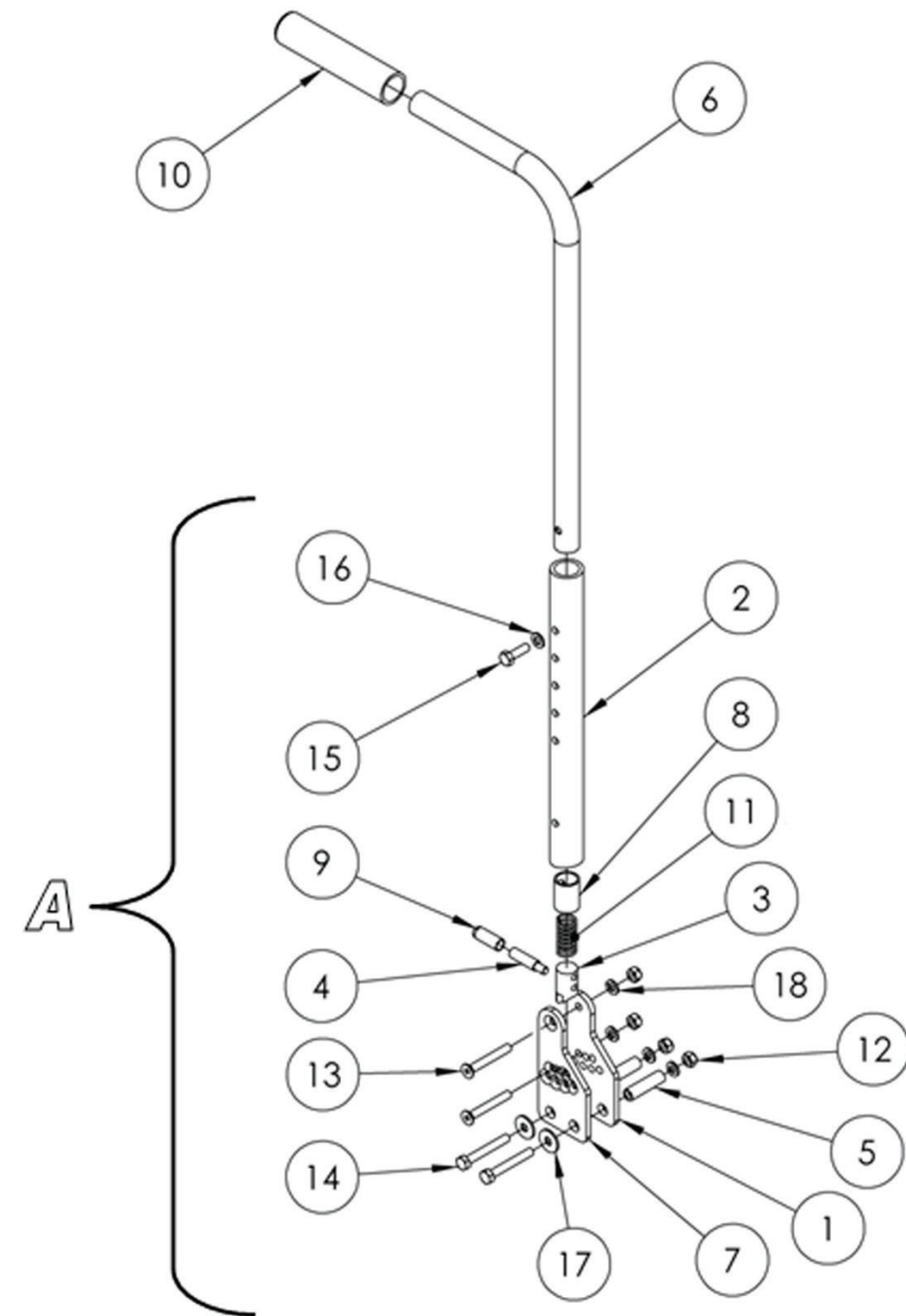
XL5 Folding Wheelchair
AJUSTABLE BACKPOST CANE



XL5 Folding Wheelchair
FOLDABLE BACKPOST CANE

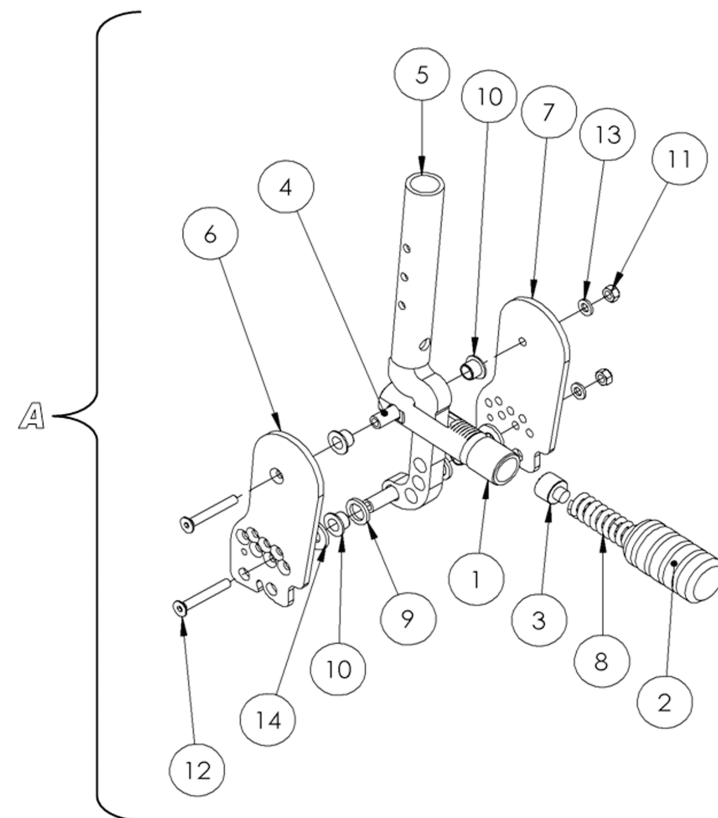
NO.	DRWG. NO.	DESCRIPTION	MSRP
A	09-00015	PRE-ASSY. FOLDING BACK POST SUPP. (LEFT)	\$238,00
A	09-00014	PRE-ASSY. FOLDING BACK POST SUPP. (RIGHT)	\$238,00
NO.	DRWG. NO.	DESCRIPTION	MSRP
1	PH-00902	ANCHOR PLATE	\$10,00
2	PH-00906	ADJUSTABLE ANCHOR TUBE	\$33,00
3	PH-00907	LOCK	\$45,00
4	PH-00910	RELEASE PIN	\$22,00
5	PH-00912	SLEEVE Ø3/8 X 1 3/8"	\$4,00
6	PH-00915	BACK POST Ø3/4 STRAIGHT 16-20	\$32,00
6	PH-00917	BACK POST Ø3/4 STRAIGHT 21-25	\$33,00
6	PH-00908	BACK POST Ø3/4 STRAIGHT 12-15	\$50,00
7	PH-02294A	LEFT ANCHOR PLATE	\$25,00
7	PH-02294B	RIGHT ANCHOR PLATE	\$25,00
8	PH-01732	SLOTTED SLEEVE	\$20,00
9	ST-02703	ROUND GRIP Ø.312X1 BLACK WITH HIGH GLOSS FINISH	\$11,00
10	ST-03686	ROUND SOFT TEXTURE FINISH GRIP	\$4,00
11	ST-03011	COMP. SPRING 0.063X0.60X1.25 SS	\$3,00
12	ST-50290	ECA ZIB M6X1.0	\$1,00
13	ST-50552	FHCS SS M6X1.0X45	\$1,00
14	ST-50923	HEX M6 X 45MM SST	\$1,00
15	ST-50920	HHCS SS M6X1.0 X 25	\$1,00
16	ST-51066	FLAT WASHER M6 SS	\$1,00
17	ST-51174	RPBR ZIB Ø6MM	\$1,00
18	ST-51829	RPE SS Ø6MM	\$1,00

XL5 Folding Wheelchair
FOLDABLE BACKPOST CANE



XL5 Folding Wheelchair
DYNAMIC BACKREST

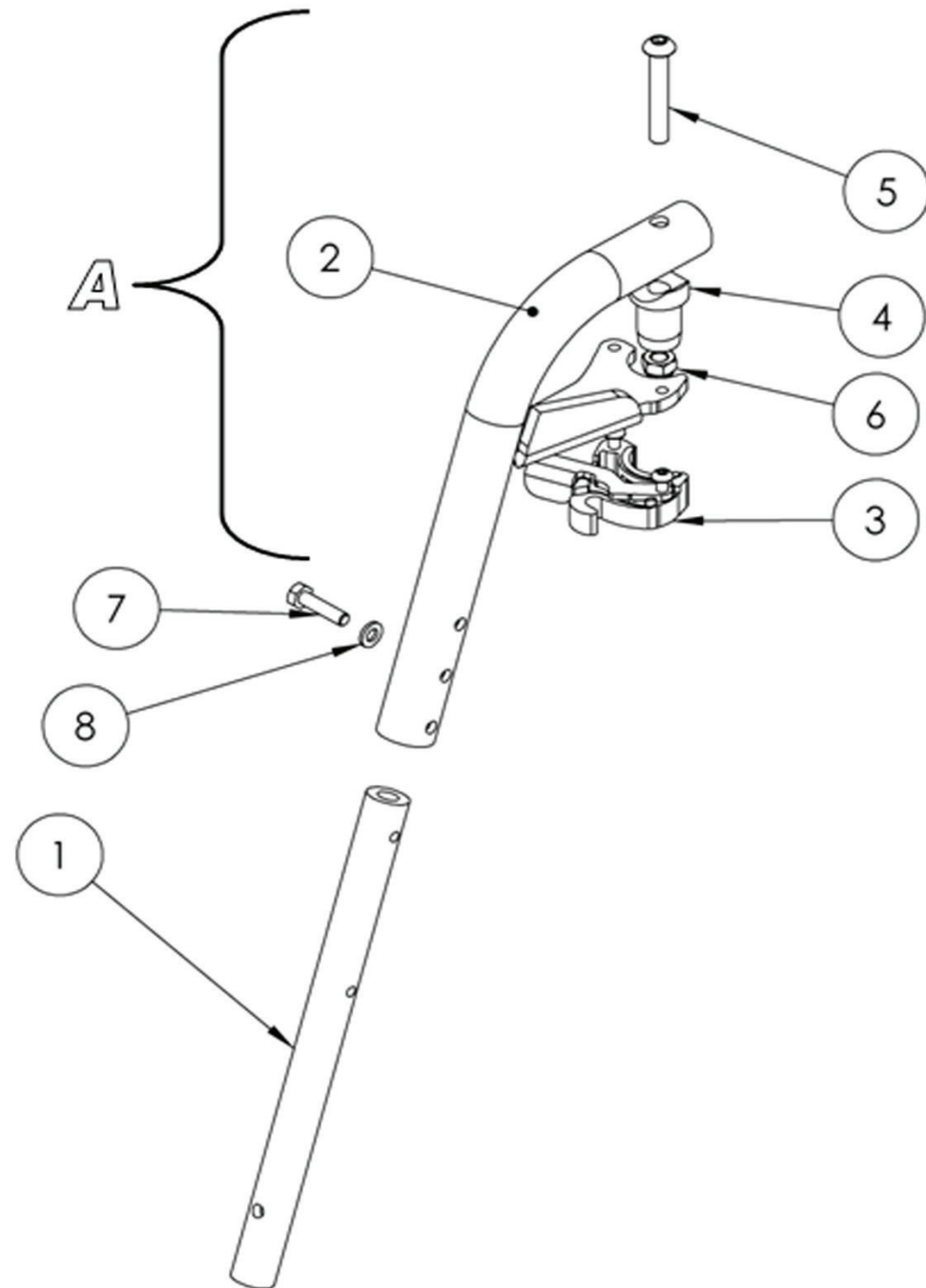
NO.	DRWG. NO.	DESCRIPTION	MSRP
A	09-00020	DYNAMIC BACKREST ASS. (LEFT)	\$309,00
A	09-00019	DYNAMIC BACKREST ASS. (RIGHT)	\$309,00
NO.	DRWG. NO.	DESCRIPTION	MSRP
1	PH-02070	DYN. BLOC PIVOT ASS. (ENGRAVING)	\$60,00
2	PH-02078C	HANDLE	\$42,00
3	PH-02078D	BUTTON	\$10,00
4	PH-02078E	BACKREST DYN. BUSHING	\$6,00
5	PH-02078G	BACKPOST ANCHOR (DYN.)	\$50,00
6	PH-02078H	DYN. BACK CASING (LEFT)	\$25,00
7	PH-02078A-LZ	DYN. BACK CASING LZ PLATE	\$20,00
8	ST-03127	0.125 x 0.75 x 3 COMP. SPRING	\$20,00
9	ST-03164	NARROW WASHER 1/2X3/32	\$2,00
10	ST-03165	FLANGE BUSHING 3/8X3/8	\$2,00
11	ST-50284	NYLON NUT M6 Zinc	\$2,00
12	ST-50538	FHCS BO M6X1.0X45	\$2,00
13	ST-51066	FLAT WASHER M6 SS	\$2,00
14	ST-51891	NYLON FLAT WASHER M10	\$2,00



XL5 Folding Wheelchair
LEGREST SUPPORT

NO.	DRWG. NO.	DESCRIPTION	MSRP
A	PH-02363G	60° ASSY (RIGHT)	\$108,00
A	PH-02455	60° ASSY (LEFT)	\$108,00
A	PH-02363R	70° ASSY (RIGHT)	\$108,00
A	PH-02454	70° ASSY (LEFT)	\$108,00
A	PH-03684	90° ASSY. (RIGHT)	\$116,00
A	PH-03685	90° ASSY (LEFT)	\$116,00
NO.	DRWG. NO.	DESCRIPTION	MSRP
1	PH-00765	SHORT ADJUSTABLE ROD	\$24,00
1	PH-00763	MEDIUM ADJUSTABLE ROD	\$20,00
1	PH-02160	LONG ADJUSTABLE ROD	\$42,00
2	PH-02363H	FOOTREST WELDING ASSY. 60° (RIGHT)	\$48,00
2	PH-02363AR	FOOTREST WELDING ASSY. 70° (RIGHT)	\$48,00
2	PH-02453	FOOTREST WELDING ASSY. 60° (LEFT)	\$48,00
2	PH-02452	FOOTREST WELDING ASSY. 70° (LEFT)	\$48,00
2	PH-03545	FOOTREST WELDING ASSY. 90° (LEFT)	\$78,00
2	PH-03546	FOOTREST WELDING ASSY. 90° (RIGHT)	\$78,00
3	PH-02538	FOOTREST LATCH (LEFT)	\$36,00
3	PH-02537	FOOTREST LATCH (RIGHT)	\$36,00
4	ST-02498	PLASTIC SLEEVE PIVOT	\$6,00
5	ST-50162	BHCS BO M8X1.25X50	\$2,00
6	ST-50285	NUT M8 X 1.25 ZI	\$2,00
7	ST-50920	HHCS SS M6X1.0 X 25	\$2,00
8	ST-51096	RDIN ZI Ø6MM	\$2,00

XL5 Folding Wheelchair
LEGREST SUPPORT

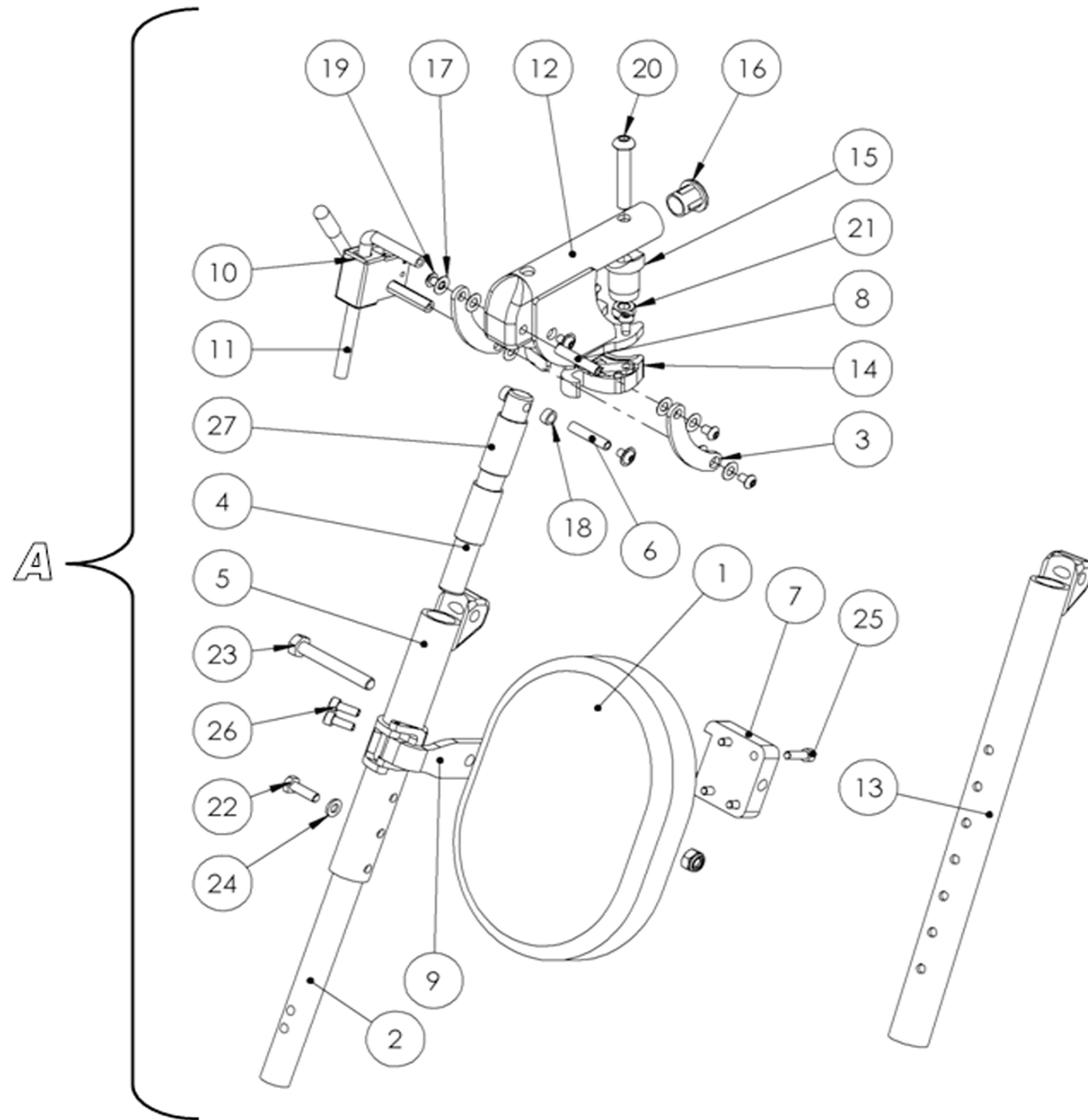


XL5 Folding Wheelchair
ELEVATING LEGREST WITH LENGTH COMPENSATION

NO.	DRWG. NO.	DESCRIPTION	MSRP
A	10-00021	FOOTREST ELEVATOR / COMP. (LEFT)	\$474,00
A	10-00018	FOOTREST ELEVATOR / COMP. (RIGHT)	\$474,00
NO.	DRWG. NO.	DESCRIPTION	MSRP
1	MI7464	PROFIED CUSHION ADJUSTABLE CALF SUPPORT	\$126,00
1	MI7465	FLAT CUSHION ADJUSTABLE CALF SUPPORT	\$126,00
2	PH-00763	STRAIGHT ADJUSTABLE ROD	\$14,00
3	PH-00782	LEVER ARM	\$4,00
4	PH-00783	POSITIONNING SHAFT	\$12,00
5	PH-00784	CYLINDER TUBE	\$36,00
6	PH-00789	SLEEVE M5	\$7,00
7	PH-00793	BLOCK PIVOT	\$18,00
8	PH-01472	LEVER SLEEVE M5	\$8,00
9	PH-02161	CALF PAD BRACKET ASSEMBLY	\$58,00
10	PH-02517	ELR LOCK ROD/ARM ASSY (LEFT)	\$62,00
10	PH-02516	ELR LOCK ROD/ARM ASS'Y (RIGHT)	\$62,00
11	PH-02518	ELR LOCK ROD	\$30,00
12	PH-03030G	ELR PIVOT BLOCK (LEFT)	\$62,00
12	PH-03030	ELR PIVOT BLOCK (RIGHT)	\$62,00
13	PH-03369	CYLINDER TUBE (LONG)	\$48,00
14	PH-03479	LATCH KIT CASTING (LEFT)	\$22,00
14	PH-03443	LATCH KIT CASTING (RIGHT)	\$22,00
15	ST-02498	PLASTIC PIVOT SADDLE	\$4,00
16	ST-02570	ROUND INSERT GLIDE Ø7/8" / 18 GA. TUBE	\$2,00
17	ST-02705	HARD FIBER FLAT WASHER 1/64X1/4IDx1/2OD	\$2,00
18	ST-03096	IGLIDE M250 SLEAVE BEARING 1/4 ID X 3/8 OD X 3/16 LG	\$2,00
19	ST-50084	BHCS ZIB M5X0.8X8	\$2,00
20	ST-50162	BHCS BO M8X1.25X50	\$2,00
21	ST-50279	ECA SS M8X1.25	\$2,00
22	ST-50935	HHCS ZIB M6X1.0X20	\$2,00
23	ST-50957	HEX. M8 X 60MM SS	\$2,00
24	ST-51126	RDIN ZIB Ø6MM	\$2,00
25	ST-51407	SHCS SS M5X0.8X18	\$2,00
26	ST-51443	SHCS ZIB M5X0.8X14	\$2,00
27	ST-52109	SLEEVE 1-1/2"	\$4,00

XL5 Folding Wheelchair

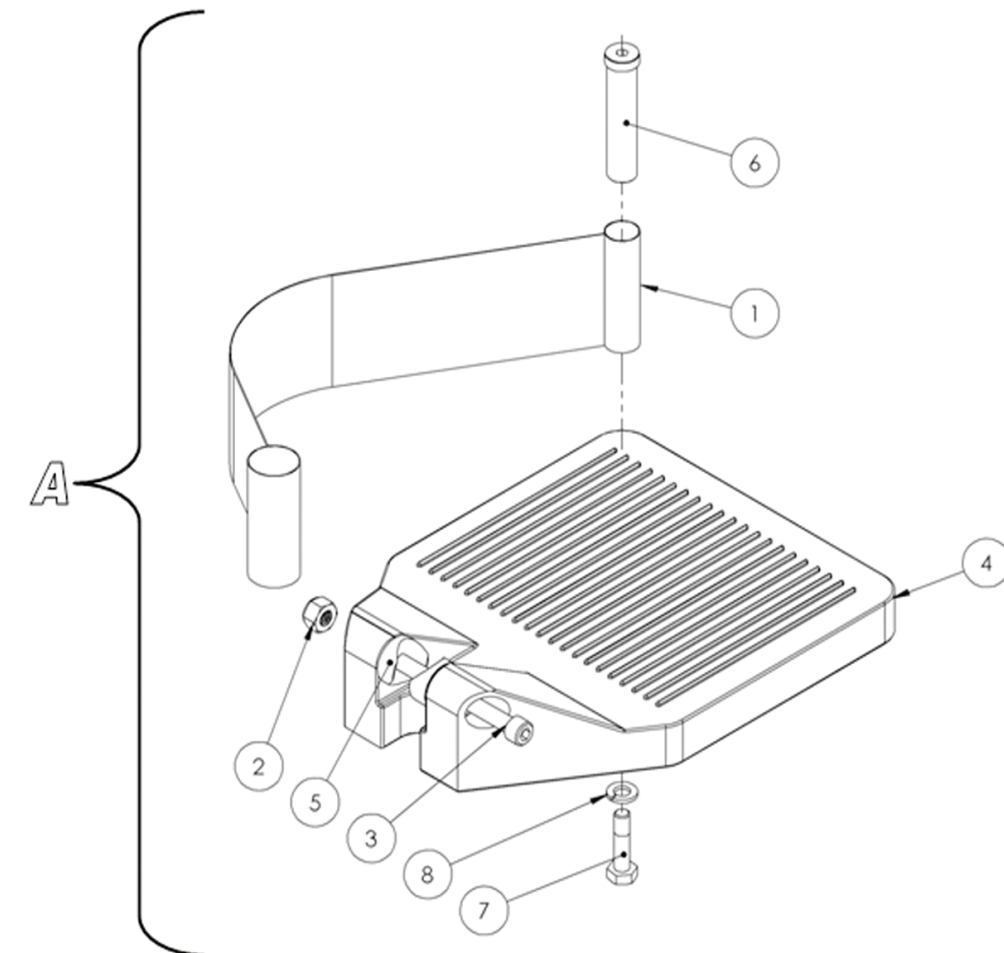
ELEVATING LEGREST WITH LENGTH COMPENSATION



XL5 Folding Wheelchair

STANDARD FOOTPLATE

NO.	DRWG. NO.	DESCRIPTION	MSRP
A	11-00010	PLASTIC FOOTREST (LEFT)	\$70,00
A	11-00009	PLASTIC FOOTREST (RIGHT)	\$70,00
NO.	DRWG. NO.	DESCRIPTION	MSRP
1	PH-00632	HEEL LOOP	\$14,00
2	ST-00277	ECA BO Ø1/4-20	\$2,00
3	ST-02440	SHCS BO Ø1/4-20X2-3/4	\$2,00
4	ST-02508	CMPST FOOT PLATE 16" - 17"	\$12,00
5	ST-02532	SADDLE 3/4	\$2,00
6	PH-03818	HEEL LOOP ROD 4"	\$12,00
6	ST-02539	HEEL LOOP ROD	\$2,00
7	ST-50920	HHCS SS M6X1.0 X 25	\$2,00
8	ST-51829	RPE SS Ø6MM	\$2,00



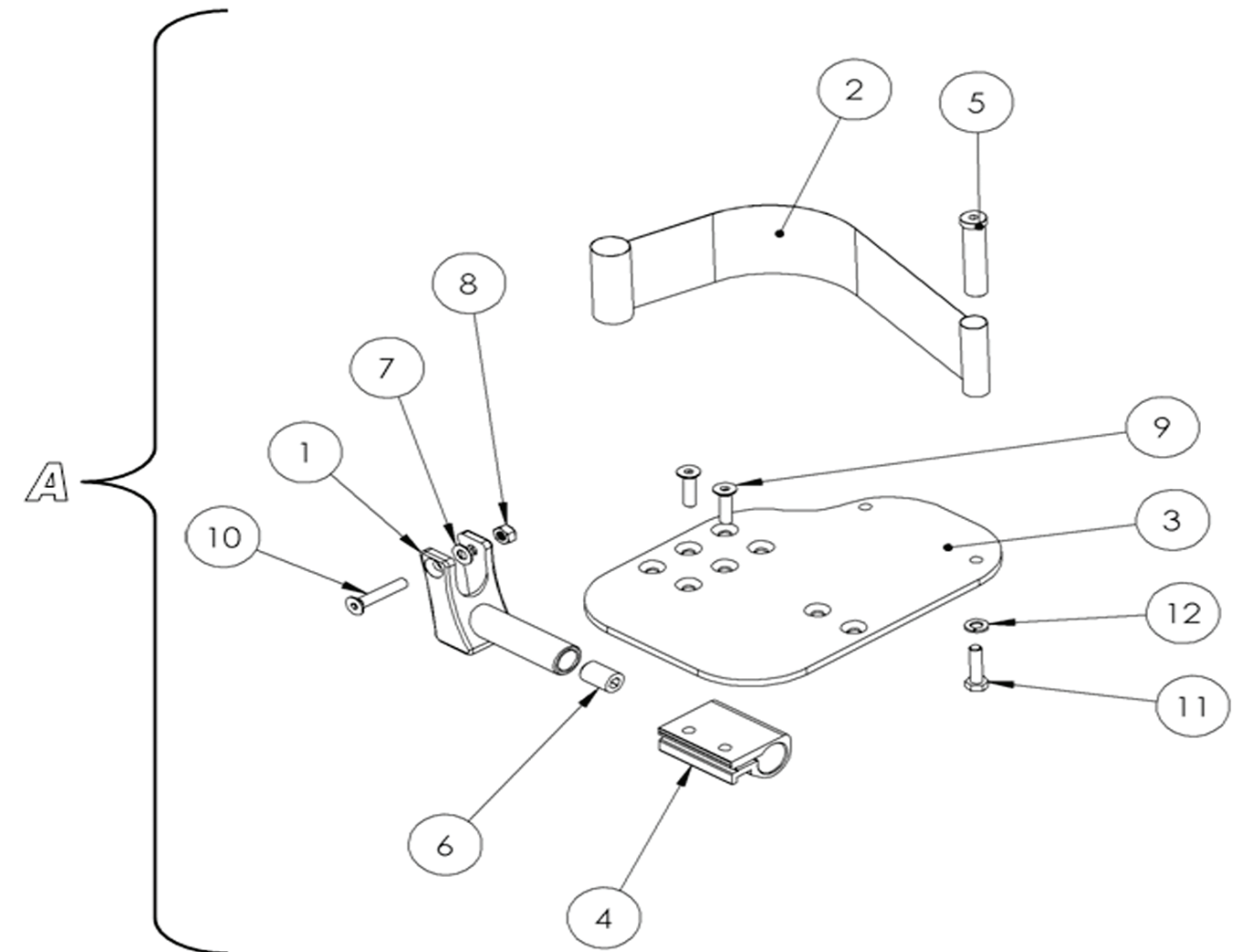
XL5 Folding Wheelchair

ANGLE AND DEPTH ADJUSTABLE FOOTPLATE

NO.	DRWG. NO.	DESCRIPTION	MSRP
A	11-00011	STD. ANGLE & DEPTH ADJUSTABLE (RIGHT)	\$90,00
A	11-00012	STD. ANGLE & DEPTH ADJUSTABLE (LEFT)	\$90,00
A	11-00029	OVERSIZED ANGLE & DEPTH ADJUSTABLE (RIGHT)	\$104,00
A	11-00030	OVERSIZED ANGLE & DEPTH ADJUSTABLE (LEFT)	\$104,00
NO.	DRWG. NO.	DESCRIPTION	MSRP
1	PH-00630	GNUCKLE (LEFT)	\$34,00
1	PH-00627	GNUCKLE (RIGHT)	\$34,00
2	PH-00632	HEEL LOOP	\$14,00
3	PH-03811DR	FOOTPLATE (5 X 6.75") right	\$22,00
3	PH-03811GA	FOOTPLATE (5 X 6.75") left	\$22,00
3	PH-04134DR	FOOTPLATE (5 X 9") RIGHT	\$32,00
3	PH-04134GA	FOOTPLATE (5 X 9") LEFT	\$32,00
3	PH-04135DR	FOOTPLATE (5 X 10") RIGHT	\$32,00
3	PH-04135GA	FOOTPLATE (5 X 10") LEFT	\$32,00
3	PH-03688DR	STD. FOOTPLATE (6 X 6.75") right	\$22,00
3	PH-03688GA	STD. FOOTPLATE (6 X 6.75") left	\$22,00
3	PH-03689DR	FOOTPLATE (6 X 9") right	\$32,00
3	PH-03689GA	FOOTPLATE (6 X 9") left	\$32,00
3	PH-03690DR	FOOTPLATE (6 X 10") right	\$32,00
3	PH-03690GA	FOOTPLATE (6 X 10") left	\$32,00
3	PH-03691DR	FOOTPLATE (7 X 9") right	\$32,00
3	PH-03691GA	FOOTPLATE (7 X 9") left	\$32,00
3	PH-03692DR	FOOTPLATE (7 X 10") right	\$32,00
3	PH-03692GA	FOOTPLATE (7 X 10") left	\$32,00
3	PH-03693DR	FOOTPLATE (8 X 9") right	\$32,00
3	PH-03693GA	FOOTPLATE (8 X 9") left	\$32,00
3	PH-03694DR	FOOTPLATE (8 X 10") right	\$32,00
3	PH-03694GA	FOOTPLATE (8 X 10") left	\$32,00
4	PH-03660	PLATE HOLDER BLOC	\$10,00
5	PH-03818	HEEL LOOP ROD 4"	\$12,00
5	ST-02539	HEEL LOOP ROD	\$2,00
6	ST-02656	HEX. SET SCREW NYLON 1/2 -13 X3/4	\$2,00
7	ST-03020	PLASTIC WASHER 1/32"	\$2,00
8	ST-50284	NYLON NUT M6 ZINC	\$2,00
9	ST-50548	FHCS M6 X 1.0 X 25MM SS	\$2,00
10	ST-50550	FHCS SS M6X1.0X35	\$2,00
11	ST-50920	HHCS SS M6X1.0 X 25	\$2,00
12	ST-51829	RPE SS Ø6MM	\$2,00

XL5 Folding Wheelchair

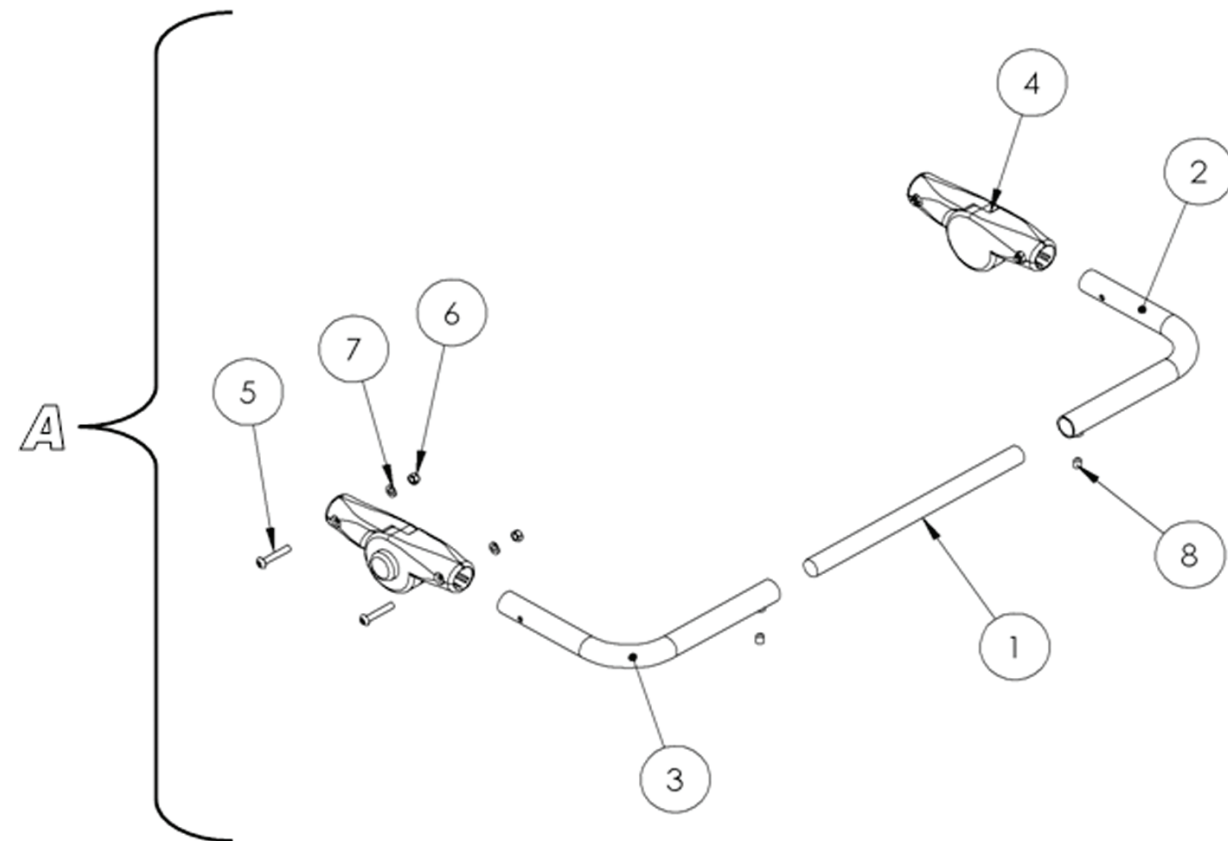
ANGLE AND DEPTH ADJUSTABLE FOOTPLATE



XL5 Folding Wheelchair

ANGLE ADJUSTABLE PUSH HANDLES

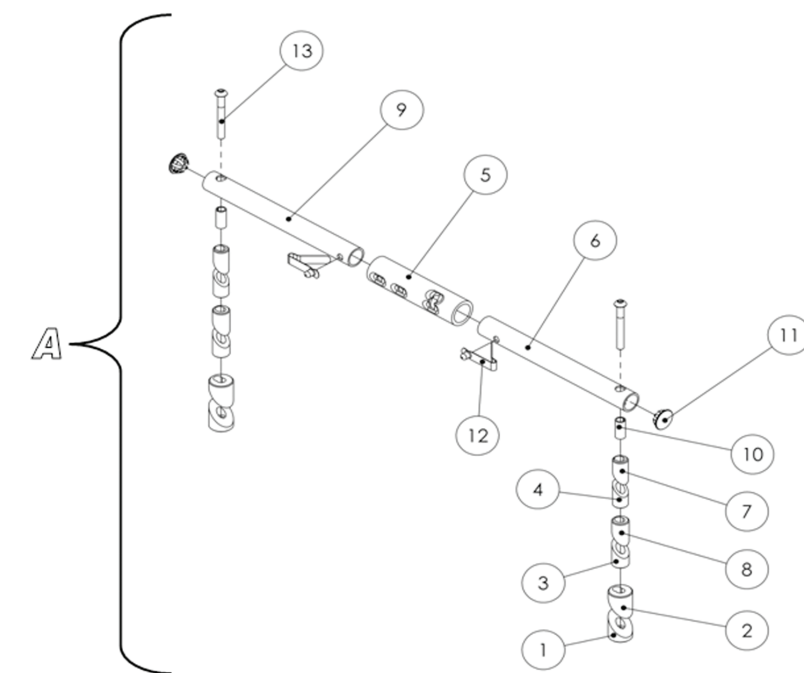
NO.	DRWG. NO.	DESCRIPTION	MSRP
A	13-00016	ANGLE AJUSTEMENT STROLLER BAR	\$151,00
NO.	DRWG. NO.	DESCRIPTION	MSRP
1	PH-03951	ROD (H.D.)	\$65,00
1	PH-02474	ROD	\$30,00
2	PH-02475	90° WELDING ASS. 14@17 (RIGHT)	\$38,00
2	PH-02485	90° WELDING ASS. 18@20 (RIGHT)	\$38,00
3	PH-02476	90° WELDING ASS. 14@17 (LEFT)	\$38,00
3	PH-02482	90° WELDING ASS. 18@20 (LEFT)	\$38,00
4	ST-02450	PUSHER HEIGHT ADJ. .20	\$10,00
5	ST-50063	BHCS M5 X .8 X 30 SS	\$2,00
6	ST-50289	ECA ZIB M5X0.8	\$2,00
7	ST-51125	RDIN ZIB Ø5MM	\$2,00
8	ST-51718	SET SCREW M6 X 1.0 X 8MM SS	\$2,00



XL5 Folding Wheelchair

TENSION BAR

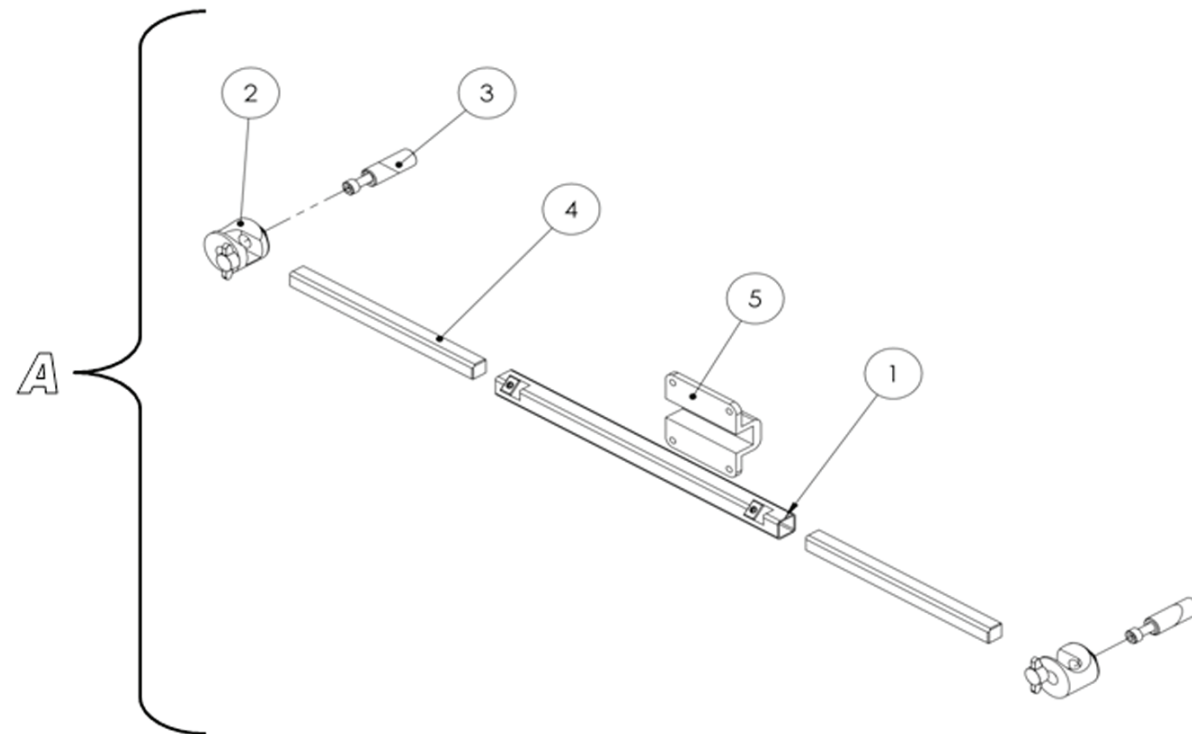
NO.	DRWG. NO.	DESCRIPTION	MSRP
A	D3897	COMPLETE ASSEMBLY FOR WHEELCHAIR 13" & 14" WIDE	\$181,00
A	D3895	COMPLETE ASSEMBLY FOR WHEELCHAIR 15" & 16" WIDE	\$181,00
A	D3900	COMPLETE ASSEMBLY FOR WHEELCHAIR 17" & 18" WIDE	\$181,00
A	D3905	COMPLETE ASSEMBLY FOR WHEELCHAIR 19" & 20" WIDE	\$181,00
A	D3910	COMPLETE ASSEMBLY FOR WHEELCHAIR 21" & 22" WIDE	\$181,00
A	D3915	COMPLETE ASSEMBLY FOR WHEELCHAIR 23" WIDE	\$181,00
NO.	DRWG. NO.	DESCRIPTION	MSRP
1	PH-00301	THREADED WEDGE LOCK 7/8"	\$22,00
2	PH-00302	SLOTED WEDGE LOCK 7/8"	\$22,00
3	PH-00326	THREADED WEDGE LOCK 5/8"	\$18,00
4	PH-00327	THREADED WEDGE LOCK 1/2"	\$14,00
5	PH-00328	CENTRAL TUBE	\$22,00
6	PH-00329	TUBE	\$14,00
7	PH-00334	SLOTED WEDGE LOCK 1/2"	\$14,00
8	PH-00335	SLOTED WEDGE LOCK 5/8"	\$18,00
9	PH-00336	TUBE	\$14,00
10	ST-02573	SPACER Ø1/4X3/4	\$2,00
11	ST-02590	STEEL CAP Ø5/8 / .062-.109 THK.	\$6,00
12	ST-02617	PUSH BUTTON .240 OD / Ø.5-.8 TUBE	\$2,00
13	ST-50151	BHCS ZIB M6X1.0X50	\$2,00



XL5 Folding Wheelchair

TENSION BAR + HEADREST SUPPORT

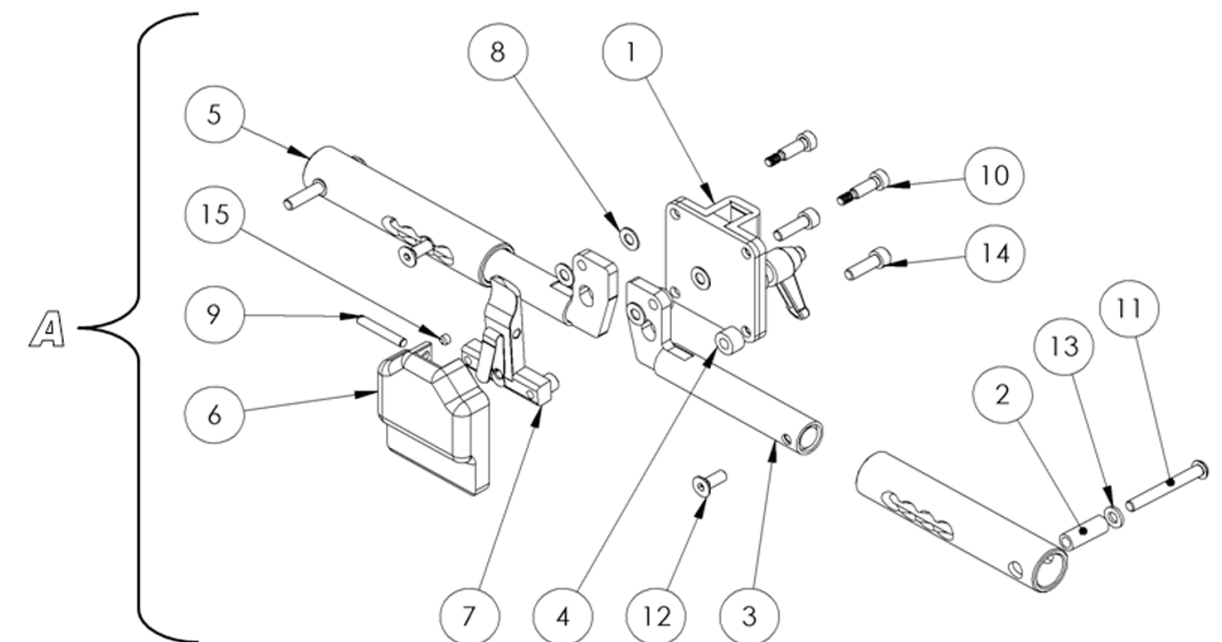
NO.	DRWG. NO.	DESCRIPTION	MSRP
A	AT5140	INTERNAL HEADREST SUPPORT MOUTING FIXTURE 3/4" Ø	\$285,00
A	AT5150	INTERNAL HEADREST SUPPORT MOUTING FIXTURE 7/8" Ø	\$285,00
A	AT5155	INTERNAL HEADREST SUPPORT MOUTING FIXTURE 1" Ø	\$285,00
NO.	DRWG. NO.	DESCRIPTION	MSRP
1	AT5141	CENTRAL BAR ANC. FIX. A-T.	\$14,00
2	AT5142	CYLINDER BLOCK ANC. FIX. A-T.	\$44,00
3	AT5143	WEDGE LOCK Ø3/4 ANC. FIX. A-T.	\$40,00
3	AT5146	WEDGE LOCK Ø1.0ANC. FIX. A-T.	\$40,00
4	AT5147	ROD L / D ANC. FIX. A-T.	\$8,00
5	AT5175	MOUNT ADAPTOR	\$40,00



XL5 Folding Wheelchair

FOLDING TENSION BAR

NO.	DRWG. NO.	DESCRIPTION	MSRP
A	21-00006	RABATABLE TENSION BAR 12@15 "	\$274,00
A	21-00007	RABATABLE TENSION BAR 15@18 "	\$274,00
NO.	DRWG. NO.	DESCRIPTION	MSRP
1	AT5166	FIXATION SUPPORT . 4PTS.	\$39,00
2	PH-02078E	SLEEVE	\$5,00
3	PH-03939	RAB. TENSION BAR ASSY PIVOT	\$33,00
4	PH-03940	SPACER (T.B. RAB)	\$2,00
5	PH-03941	EXTENSION 12@15" (T.B. RAB.)	\$20,00
5	PH-03942	EXTENSION 15@18" (T.B. RAB.)	\$20,00
6	PH-03944	COVER	\$39,00
7	PH-03947	TRIP LEVER ,T.B. RAB	\$50,00
8	ST-03020	PLASTIC WASHER 1/32"	\$1,00
9	ST-03691	DOWELL PIN 3/16" X1-1/4"	\$1,00
10	ST-03693	SBCS M6 X 16mm X M5-.08	\$3,00
11	ST-50137	BHCS ZI M6X1.0X50	\$1,00
12	ST-50532	FHCS BO M6X1.0X16	\$1,00
13	ST-51066	FLAT WASHER M6	\$1,00
14	ST-51482	SHCS M6 X 1.0 X 20MM	\$1,00
15	ST-51705	SSFP BO M5X0.8X4	\$1,00



Physipro Inc.

370, 10e Avenue Sud
Sherbrooke (Quebec) J1G 2R7

Phone 819 823-2252
Toll Free 1 800 668-2252
Fax 819 565-3337

Email : info@physipro.com
Order: order@physipro.com



www.physipro.com