



Introducing the third generation of the proven EcoMod<sup>®</sup> Series  
 Expertly engineered with durable, marine grade components and various optic options  
 Numerous bracket options to easily retrofit to existing hole patterns  
 Custom designed, high temperature optics improve safety, increase efficiency and maximize operator comfort

### Key Applications

- Ship-to-Shore (STS) cranes
- Rubber Tired Gantry (RTG) cranes
- Mobile harbor cranes (MHC)
- Interior and exterior uplighting
- Facility and perimeter lighting
- Deck flood lighting
- Airport hangars
- Overhead cranes
- Bridges and parking lots
- Aft wheelhouse lighting
- Vessel perimeter lighting

### Compliances

ETL/cETL Certified to:

- UL 1598 Suitable for Wet Locations
- UL 1598A Marine Outside Type (Saltwater)
- CSA C22.2 No. 250.0

CE

IP66, IP67 and IP69K

ABS

DLC (contact factory)

LM79 and LM80 reports available

FCC Part 15, Subpart B, Class A standards for conducted and radiated emissions.

### Specifications

<b>Construction</b>	Marine grade, powder coated cast aluminum housing Adjustable powder coated steel mounting harp
<b>Finish</b>	Black thermoset powder coat 2-step finish
<b>Hardware</b>	Marine grade (316) stainless steel

### Specifications

<b>Lens</b>	Clear, tempered glass
<b>Surge protection</b>	20kV (20kA)
<b>Light source</b>	Up to: 121W (LO), 231W (HI) and 438W (MAX) Up to: 15,000 lumens (LO), 30,000 lumens (HI) and 52,500 lumens (MAX) Cool white 5000K (50K), neutral white 4000K (40K), warm white 2700K (27K) LED options CRI > 70 50,000 hour rated life
<b>Power source</b>	120-277V, 50-60Hz; 277-480V, 50-60Hz Overload, over-voltage, over-temperature and short-circuit protection 0-10V dimming option (DIM)
<b>Wiring</b>	Stranded wires 17 gauge, 3 conductor cord - 72.00 inch (1829 mm) with pigtail - standard Through wire optional (TW) (no cord provided) Standard cord grip 0.37 inch - 0.50 inch (9.5 mm - 12.7 mm)
<b>Ambient operating temperature</b>	-40°C to + 60°C (LO & HI models) -40°C to + 50°C (MAX model)
<b>Mounting</b>	Indexed aiming and lockable in 5° increments Alternative brackets to match legacy hole patterns (B1 and B2) Boom mount kit and tenon mount kit accessories (sold separately)
<b>Vibration</b>	6G at resonant frequency
<b>Weight</b>	LO - 31.0 lb (14.1 kg) HI - 39.6 lb (18.0 kg) MAX - 49.2 lb (22.3 kg)
<b>Safety cable</b>	Safety cable included
<b>Warranty</b>	5 years



*This product complies with domestic preference requirements such as BAA or TAA.  
 For additional information, visit [phoenixlighting.com](http://phoenixlighting.com) or consult your representative.*

*For IES files, see website or contact factory*

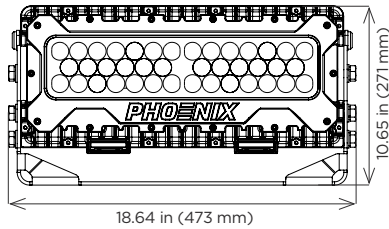
# EcoMod® 3 Series

Heavy Duty LED Floodlight

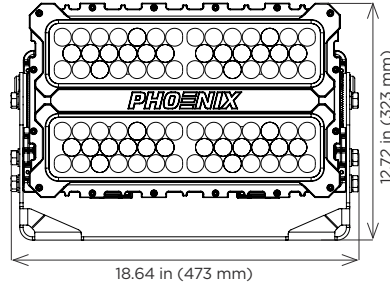
**PHOENIX®**  
DURABILITY X DESIGN™

## Dimensions (Standard Mounting Brackets)

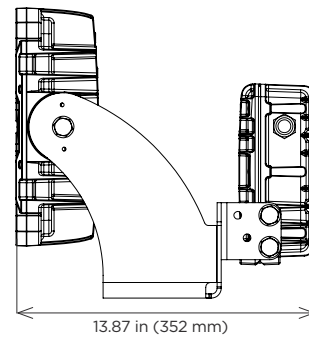
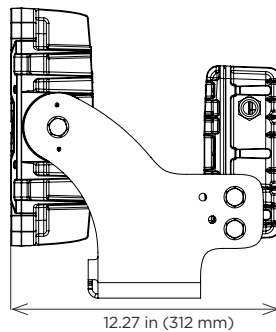
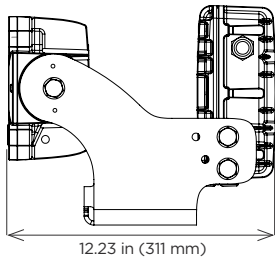
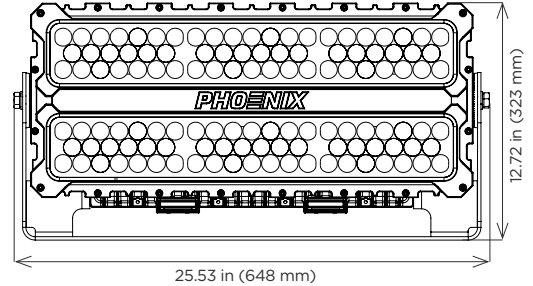
LO Model



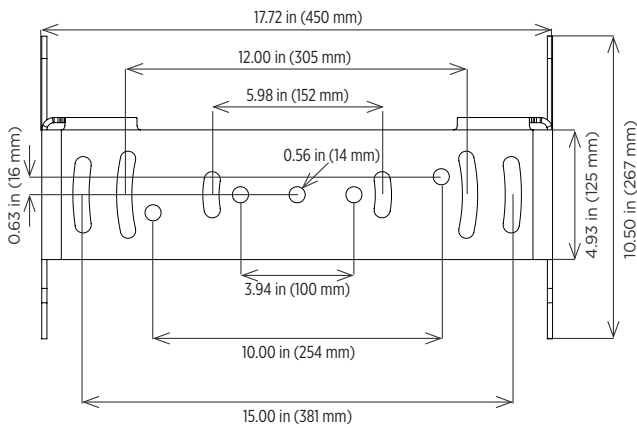
HI Model



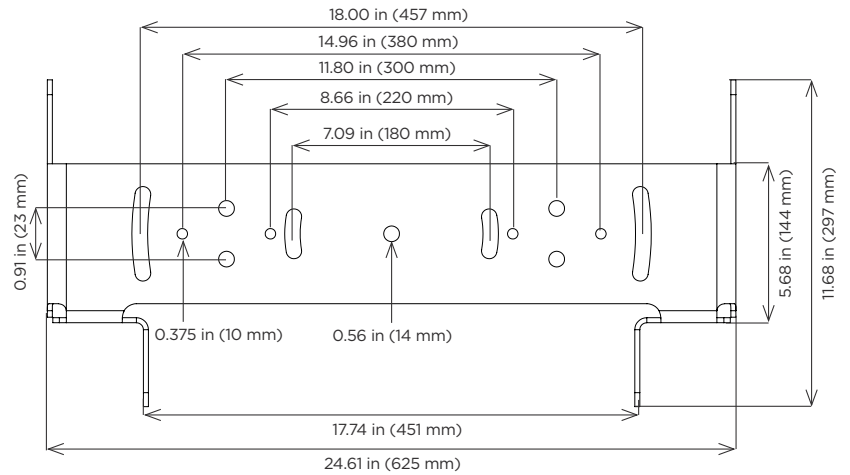
MAX Model



LO & HI Model

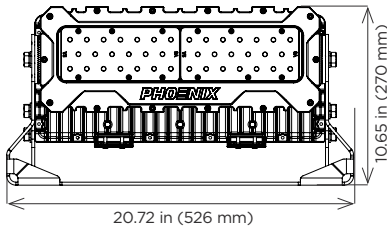


MAX Model

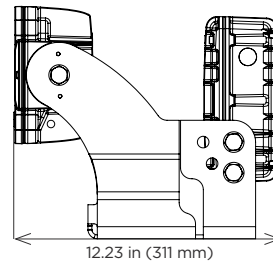
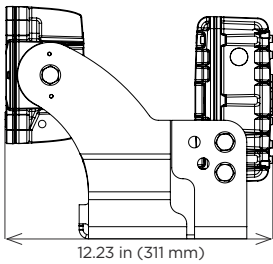
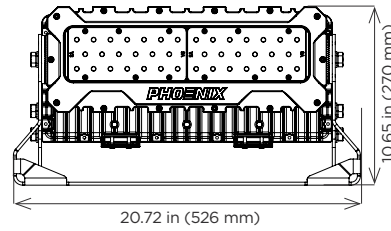


**Dimensions (Alternative Brackets B1 & B2)**

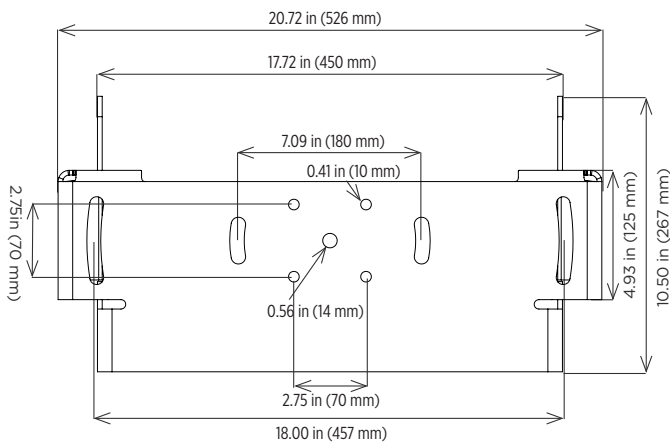
LO Model (B1)



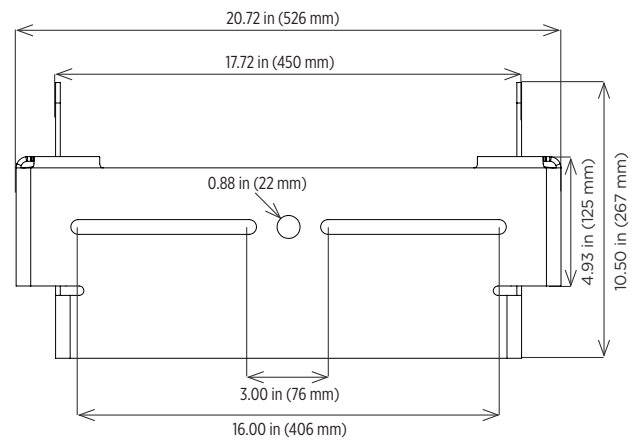
LO Model (B2)



LO Model (B1)



LO Model (B2)



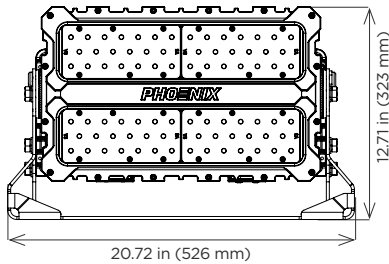
# EcoMod® 3 Series

Heavy Duty LED Floodlight

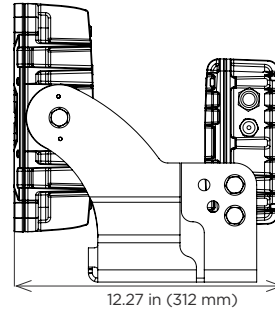
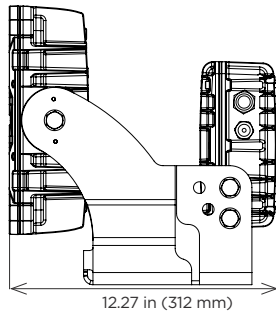
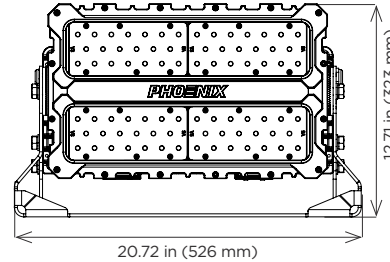
**PHOENIX**  
DURABILITY X DESIGN™

## Dimensions (Alternative Brackets B1 & B2)

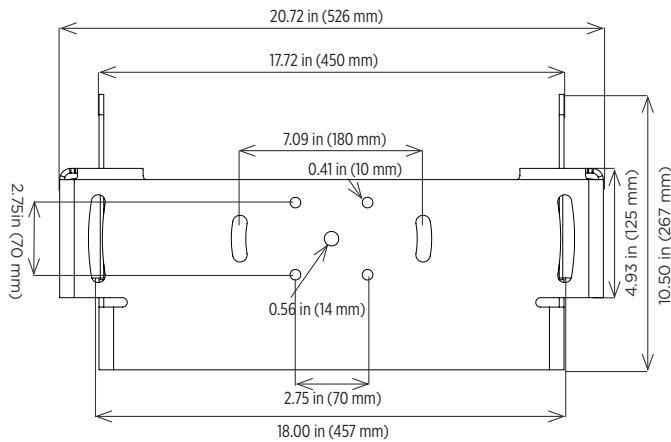
HI Model (B1)



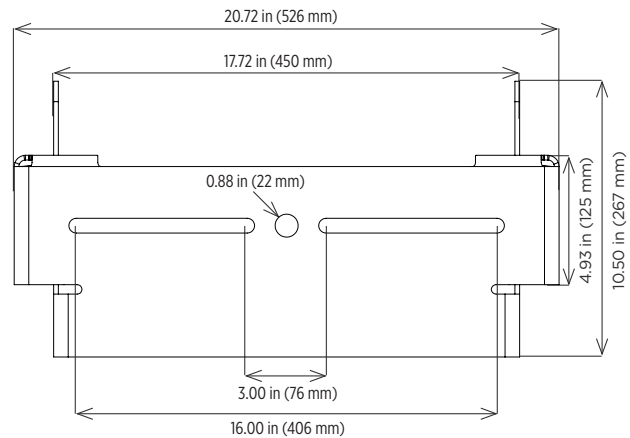
HI Model (B2)



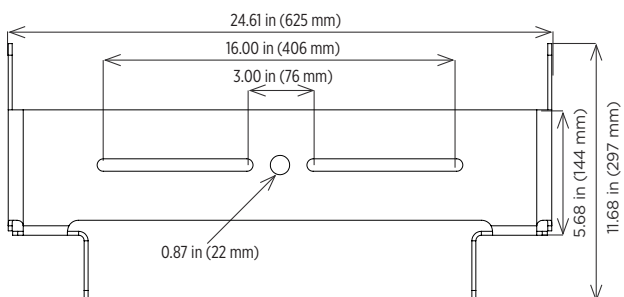
HI Model (B1)



HI Model (B2)



MAX Model (B1)<sup>1</sup>



### Notes

- EM3-MAX-B1 height and width are same as the standard EM3-MAX.

## Ordering Information

Example: EM3-HI-MF-120-277-50K-DIM

Fixture	Model	Optic	Voltage	Color Temperature	Options	Alternative Brackets
EM3	LO	WF	120-277	50K	DIM <sup>2</sup>	B1
	HI	MF	277-480	40K <sup>1</sup>	TW <sup>2</sup>	B2 <sup>3</sup>
	MAX	WS		27K <sup>1</sup>		
		SP				
		NS				
		VS				
		NG				

Model	Optic	Voltage	Color Temperature	Options	Alternative Brackets
LO up to 121W	WF Wide flood	120-277	50K Cool white	DIM <sup>2</sup> Dimmable (0-10V)	B1 Alternative bracket 1
HI up to 231W	MF Medium flood	277-480	40K <sup>1</sup> Neutral white	TW <sup>2</sup> Through wire	B2 <sup>3</sup> Alternative bracket 2
MAX up to 438W	WS Wide spot		5000K LEDs		
	SP Spot		4000K LEDs		
	NS Narrow spot		27K <sup>1</sup> Warm white		
	VS Very narrow spot		2700K LEDs		
	NG No-glare/perimeter				

### Notes

- 1 Contact factory for availability/more information
- 2 DIM & TW are not available together
- 3 B2 bracket only available on LO and HI models

**Special Projects:** We may be able to accommodate your special projects, so please don't hesitate to ask about additional options. Minimum order quantities and/or extended lead times will apply. Contact your Phoenix representative with specific inquiries.

## Optics Chart

Optic	Description	Nema	Field Spread	HWHM
WF	Wide Flood	7H X 6V	113.6°V x 138.6°H	33°
MF	Medium Flood	5H X 5V	84.9°V X 88.5°H	22°
WS	Wide Spot	5H X 5V	67.0°V x 68.4°H	15°
SP	Spot	4H X 4V	54.2°Vx 55.5°H	12°
VS	Very Narrow Spot	2H X 2V	24.3°V X 24.8°H	7°
NG	No Glare Perimeter	5H X 4V	59.7°V X 74.6°H	32°

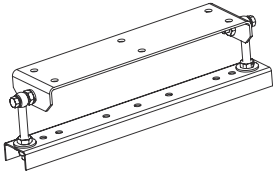
# EcoMod<sup>®</sup> 3 Series

Heavy Duty LED Floodlight

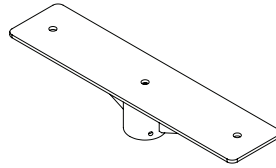
**PHOENIX<sup>®</sup>**  
DURABILITY X DESIGN™

## Accessories (order separately)

---



**Boom Mount Kit**  
BMK-LO/HI/MAX



**2 ¾ inch Tenon Mount**  
PTM-LO/HI (LO & HI models only)  
PTM-MAX (MAX models only)

Product design and specifications are subject to change without notice. The most current version of this specification sheet can be found at [www.phoenixlighting.com](http://www.phoenixlighting.com).