

SPICER[®]



WEATHERLY INDEX 084
T210-ES70-5
October 1993
ES70-5 Series
Main Transmission



ES70-5 Series Main Transmission

For parts or service call us
Pro Gear & Transmission, Inc.



1 (877) 776-4600

(407) 872-1901

parts@eprogear.com

906 W. Gore St.

Orlando, FL 32805





CONTENTS

RATIO TABLE and IDENTIFICATION.....	1
GEARS and RELATED PARTS.....	2-5
DRIVE GEAR GROUP.....	2
MAINSHAFT GROUP.....	2-3
COUNTERSHAFT GROUP.....	4-5
REVERSE IDLER GROUP.....	4-5
DRIVE GEAR TABLE.....	18
CASE GROUP and RELATED PARTS.....	6-9
DRIVE GEAR BEARING CAP GROUP.....	6-7
DRIVE GEAR BEARING CAP CHART.....	9
CLUTCH HOUSING GROUP.....	6-7
CLUTCH HOUSING DIMENSIONS.....	13
CASE GROUP.....	6-7
MAINSHAFT REAR BEARING CAP GROUP.....	8
MAINSHAFT REAR BEARING CAP CHART.....	9
COUNTERSHAFT REAR BEARING CAP GROUP.....	8
CLUTCH RELEASE CODE TABLE.....	10-11
COMPANION FLANGE and END YOKES.....	12
SHIFTER HOUSING ASSEMBLY.....	14-15
REMOTE CONTROL ASSEMBLY.....	16-17
SHIFT LEVER and DOME ASSEMBLY.....	19
OVERHAUL KITS - MAJOR and MINOR.....	20-21
TABULATED BILLS OF MATERIAL.....	22-23

RATIO TABLE MODEL ES70-5

Speeds	Models	
	ES70-5A	ES70-5D
1st	7.28	7.28
2nd	4.09	4.09
3rd	2.41	2.28
4th	1.44	1.28
5th	1.00	1.00
Rev.	7.28	7.28

IDENTIFICATION

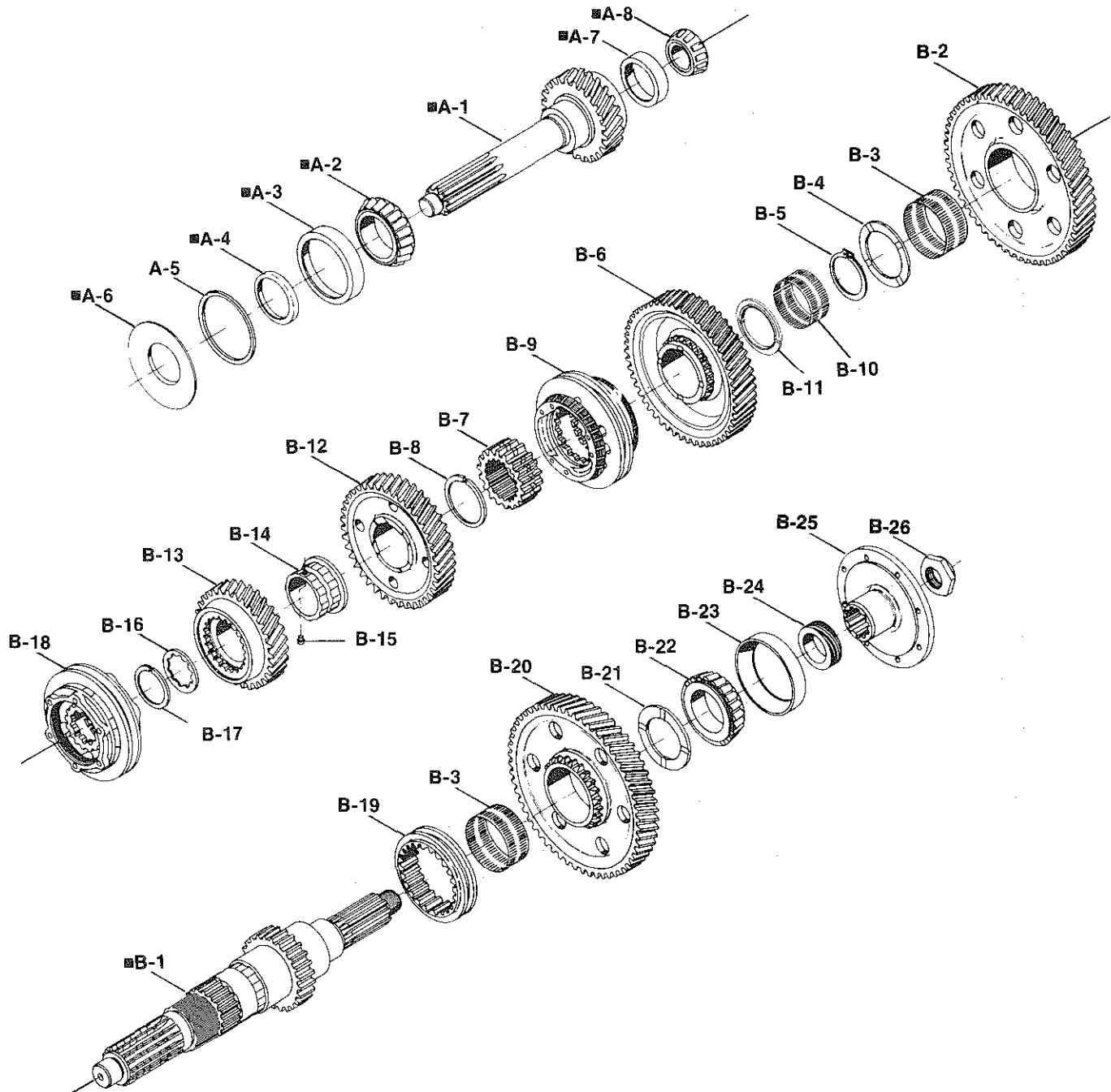
The Name Plate (NP-96) affixed to the LEFT side of the Transmission is stamped with information:

SERIAL
 B/M No. MODEL

In requesting more information on these transmissions, furnish the B/M No. and the Serial Number.

Abbreviations used in this parts list include:

- N.S. — Not Shown
- N.S.S. — Not Sold Separately
- N.R. — Not Required
- A.R. — As Required



Ref. No.	Part Number	Part Description	Qty.
		Drive Gear Group - Input	
A-1 ++	See Tab Bills	Gear - Main Drive (see Drive Gear Table Page 18)	1
A-2 ++	550930	Cone - Main Drive Gear Bearing	1
A-4 ++	47-468-2*	Baffle - Oil Ring	1
A-5	47-228-2-2*	Spacer/Shim	1
A-6 ++	47-468-1*	Baffle	1
A-7 ++	550228	Cup Bearing - Drive Gear Pocket	1
A-8 ++	550183	Cone Bearing - Drive Gear Pocket	1

* Included in 313240-3X Kit.

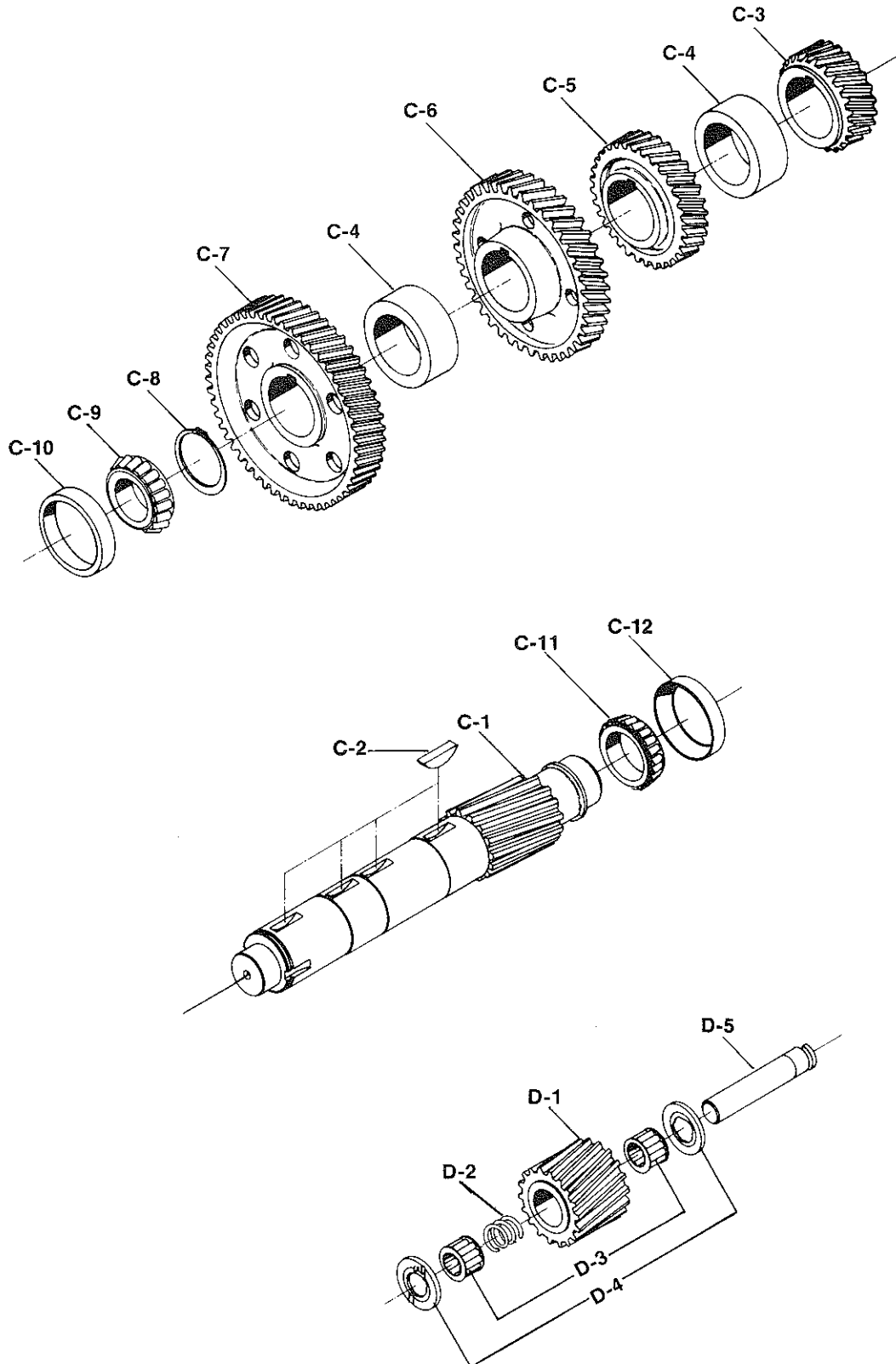
++ Use 313240-3X Baffle and Shim Kit if any of these parts are replaced. The end play will be affected. Recommended end play is .003"/.008".



Ref. No.	Part Number	Part Description	Qty.
		Mainshaft Group - Output	
B-1 ++ or	63-362-5 63-362-6	Mainshaft (overall length 22 9/32") Mainshaft (overall length 22 13/32") (Ford only)	1 1
B-2	63-8-1	Gear - 1st Speed (57T)	1
B-3	550938	Bearing - 1st and Rev. Needle Assy.	2
B-4	330884	Thrust Washer - 1st and 2nd	1
B-5	63-381-1	Snap Ring - 1st and 2nd	1
B-6	63-8-24	Gear - 2nd Speed (47T) ES70-5A and ES70-5D	1
B-7	62-466-14	Clutch Gear - 2nd and 3rd	1
B-8	62-381-8	Snap Ring - 2nd and 3rd	1
B-9	310227X	Synchronizer - 2nd and 3rd	1
B-10	550983	Bearing - Split Needle 2nd Speed Gear	1
B-11	63-47-1	Thrust Washer - Split Needle Bearing	1
B-12 or	62-8-40 62-8-66	Gear - 3rd Speed (39T) ES70-5A Gear - 3rd Speed (38T) ES70-5D	1 1
B-13 or	62-8-42 62-8-78	Gear - 4th Speed (30T) ES70-5A Gear - 4th Speed (28T) ES70-5D	1 1
B-14	62-37-29	Spacer Sleeve - 4th Speed Gear	1
B-15	425-SP	Pin - Spacer Sleeve	1
B-16	1001-W	Thrust Washer - 4th Speed	1
B-17	62-381-4	Snap Ring - Thrust Washer	1
B-18	312766X	Synchronizer - 4th and 5th	1
B-19	63-465-4	Clutch Collar - 1st and Reverse	1
B-20	63-8-3	Gear - Reverse (57T)	1
B-21	330871	Thrust Washer	1
B-22	550612	Cone - Rear Bearing	1
B-23	550929	Cup - Rear Bearing	1
B-24 or	See Tab Bills 62-37-22	Speedometer Drive Gear Spacer - (used in place of Speedometer Drive Gear)	1 1
B-25	See Tab Bills	Flange or End Yoke - U Joint	1
B-26	500898	Nut - Mainshaft (1 1/4"-18 Hex Head Self-locking)	1

++ Use 313240-3X Baffle and Shim Kit if any of these parts are replaced. The end play will be affected. Recommended end play is .003".008".

MODEL ES70-5
GEARS GROUP and RELATED PARTS

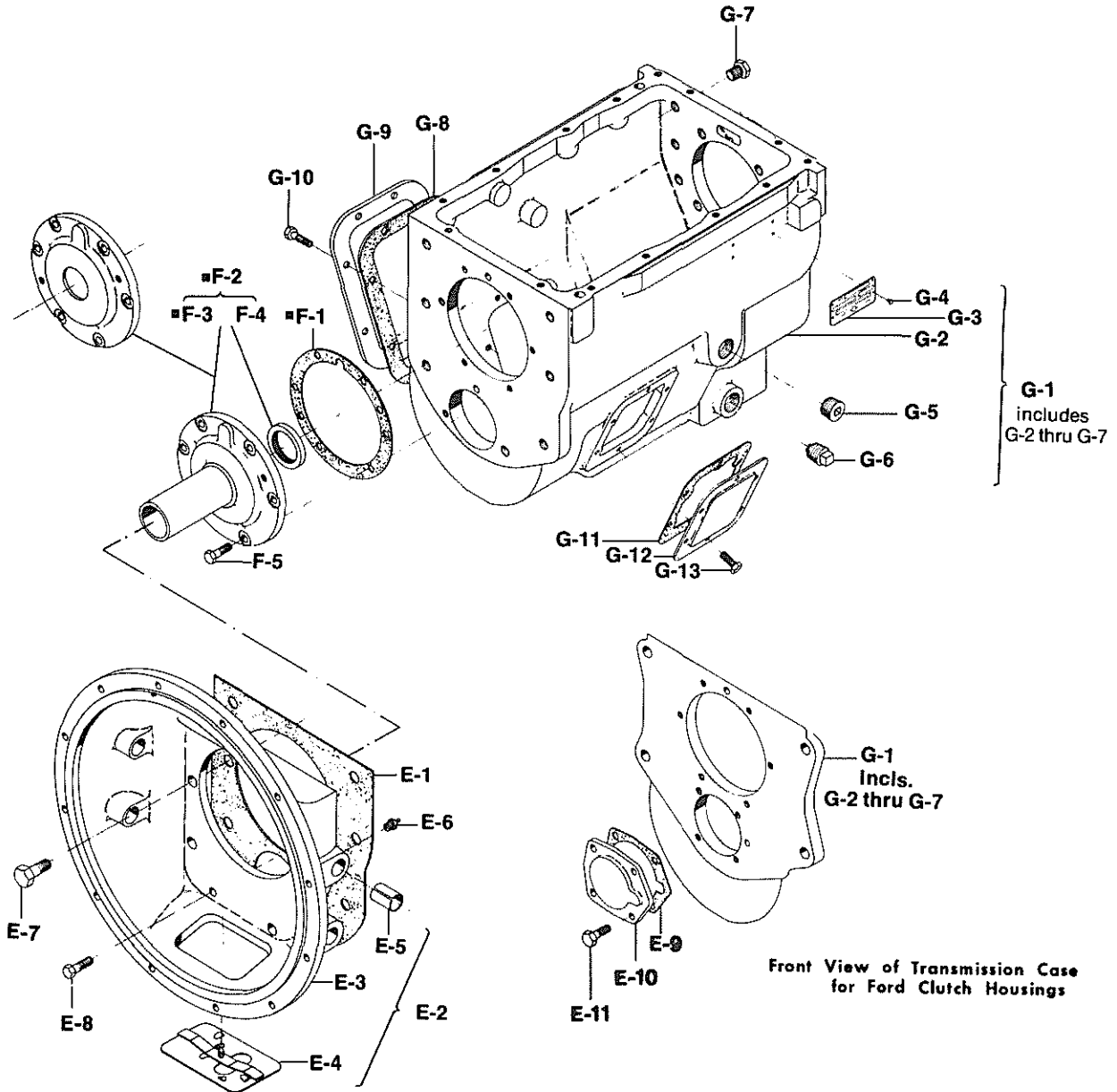




**MODEL ES70-5
GEARS AND RELATED PARTS**

T210-ES70-5

Ref. No.	Part Number	Part Description	Qty.
Countershaft Group			
C-1	63-30-1	Countershaft (15T)	1
C-2	500010-8	Woodruff Key	4
C-3	63-196-1	Gear - 2nd Speed (22T) ES70-5A and ES70-5D	1
C-4	63-37-1	Spacer - 2nd, 3rd, 4th and 5th Speeds	2
C-5	55-196-33	Gear - 3rd Speed (31T) ES70-5A	1
or	62-196-43	Gear - 3rd Speed (32T) ES70-5D	1
C-6	62-196-29	Gear - 4th Speed (40T) ES70-5A	1
or	62-196-52	Gear - 4th Speed (42T) ES70-5D	1
C-7	63-1-1	Gear - Countershaft Drive (46T) ES70-5A, ES70-5D	1
C-8	70-381-6	Snap Ring - Countershaft Drive Gear	1
C-9	550934	Cone - Front Bearing	1
C-10	550933	Cup - Front Bearing	1
C-11	550936	Cone - Taper Rear Bearing	1
C-12	550935	Cup - Taper Rear Bearing	1
Reverse Idler Group			
D-1	63-5-1	Gear - Reverse Idler	1
D-2	97-37-1	Bearing Spacer	1
D-3	550886	Bearing - Roller Assy.	2
D-4	974-W	Thrust Washer	2
D-5	63-60-1	Shaft - Reverse Idler	1



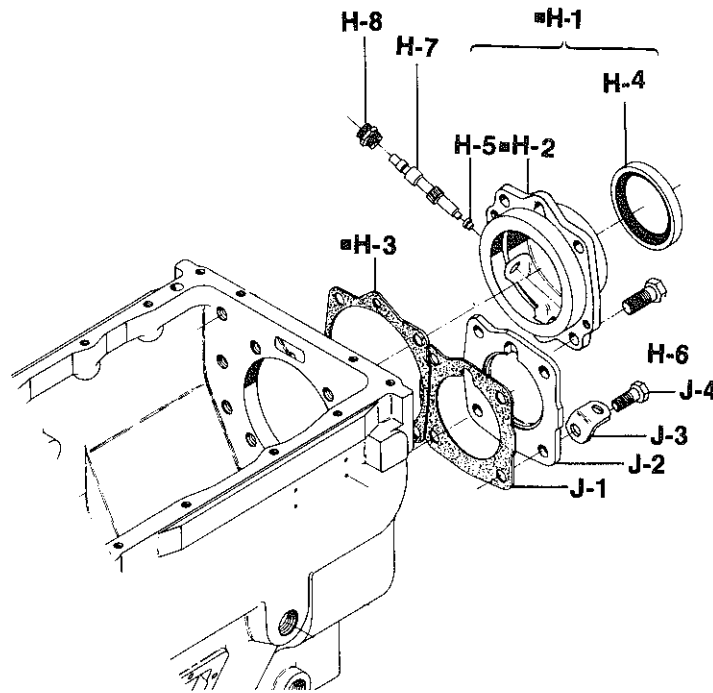
■ Use 313240-3X Baffle and Shim Kit, if any these parts are replaced. The end play will be affected, recommended end play is .003"/.008".



Ref. No.	Part Number	Part Description	Qty.
Drive Gear Bearing Cap Group			
F-1 ++	63-223-2	Gasket	1
or	63-223-4	Gasket (Ford)	1
F-2 ++	See Tab Bills	Bearing Cap and Oil Seal Assy. (includes installation sleeves)	1
F-3 ++	N.S.S.	Bearing Cap	1
F-4 ++	60-463-10-1X	Oil Seal (includes installation sleeves)	1
F-5	545002-4	Bolt - 3/8"-16 x 1 1/8" Hex Head Self-locking	6
Clutch Housing Group			
E-1	63-352-2	Gasket - Clutch Housing	1
E-2	See Tab Bills	Clutch Housing Assy. (includes E-3 thru E-5)	1
E-3	N.S.S.	Clutch Housing (see Clutch Housing table Page 13)	1
E-4	46-96-2-1X	Hand Hole Cover Assy.	1
E-5	128C-20	Bushing - Clutch Release	4
E-6	500169-5	Zerk Fitting - Grease	2
E-7	545008	Bolt - 5/8"-11 x 1 1/4" Hex Head Self-locking	7
or	545008-3	Bolt - 5/8"-11 x 1 3/4" Hex Head Self-locking (Ford Case Dana front)	7
E-8	545028	Bolt - 7/16"-14 x 1 1/4" Hex Head Self-locking	1
or	545028-1	Bolt - 7/16"-14 x 1 5/8" Hex Head Self-locking (Ford Case Dana front)	1
Countershaft Front Bearing Cap (Ford Case with Apron Front)			
E-9	63-223-5	Gasket	1
E-10	63-22-2	Bearing Cap	1
E-11	330800	Bolt - 3/8"-16 x 3/4" Hex Head Self-locking	4
Case Group			
G-1	See Tab Bills	Case Assembly - (Includes G-2 thru G-7)	1
G-2	N.S.S.	Case (C63-15-2-1 63-15-1-1X)(C63-15-6-1 63-15-15-1X)	1
G-3	NP-96	Nameplate	1
G-4	252-SP	Pins - Nameplate	4
G-5	500100	Plug - Filler	1
G-6	62-39-3	Drain Plug - Magnetic Square Head (63-15-1-1X)	1
or	62-39-4	Drain Plug - Magnetic Recessed Head (63-15-11-1X 63-15-15-1X)	1
N.S.	330934	Magnet - Ceramic (Bottom of Case)	1
G-7	266-D	Plug - 5/8"-11 x 7/16" Hex Head	3or5
G-8	97-324-2	Gasket - PTO Aperture (8 bolt)	1
G-9	73-267-1	Cover - PTO Aperture (8 bolt)	1
G-10	545012	Bolt - 7/16"-14 x 3/4" Flanged Hex Head Self-locking	8
G-11	97-324-1	Gasket - PTO Aperture (6 bolt)	1
G-12	50-267-2	Cover - PTO Aperture (6 bolt)	1
G-13	330800	Bolt - 3/8"-16 x 3/4" Hex Head Self-locking	6

++ Use 313240-3X Baffle and Shim Kit, if any these parts are replaced. The end play will be affected. Recommended end play is .003"-.008".

N.S.S. - Not Sold Separately.
N.S. - Not Shown



Ref. No	Part No.	Part Description	Qty.
		Mainshaft Rear Bearing Cap Group	
H-1 ++	See Tab Bills	Cap Assy. - Rear Bearing	1
H-2 ++	N.S.S.	Cap - Rear Bearing	1
H-3 ++	63-223-3	Gasket	1
or	63-223-6	Gasket - (used with Brake mounting)	1
or	63-223-7	Gasket - (for Electronic Speedo Cap for Ford)	1
H-4	63-463-1	Oil Seal - (Ford only)	1
or	60-463-8	Oil Seal - (3.756" O.D.)	1
or	71-463-12	Oil Seal - (3.543" O.D.)	1
H-5	60-475-1	Bushing - Speedometer (5/16" I.D. Flanged)	1
or	30-475-1	Bushing - Speedometer (1/4" I.D.)	1
H-6	545001-1	Bolt - 1/2"-13 x 1 3/8" (See Bearing Cap table for Qty.)	A/R
	545001-7	Bolt - 1/2"-13 x 1 7/8" (See Bearing Cap table for Qty.)	A/R
	545008	Bolt - 5/8"-11 x 1 1/4" (See Bearing Cap table for Qty.)	A/R
	545008-1	Bolt - 5/8"-11 x 1 1/2" (See Bearing Cap table for Qty.)	A/R
H-7	See Tab Bills	Gear - Speedometer Driven	1
or	55-334-1	Plug - (used when there is no Speedometer Driven Gear)	1
N.S.	545106	Plug - Speedometer Outlet (Ford only)	1
or	545021	Plug - Electronic Sensor Hole	1
H-8	55-451-1	Sleeve - 1 1/4" long - Speedometer Driven Gear	1
or	44-473-1	Sleeve - 5" long - Speedometer Driven Gear	1
or	97-454-2-1X	Sleeve - 1 1/4" long - Speedometer Driven Gear (with Seal)	1
		Countershaft Rear Bearing Cap Group	
J-1	63-223-1	Gasket	1
J-2	63-22-1	Cap - Bearing	1
J-3	330564-3	Hook - Lift	1
J-4	545001	Bolt - 1/2"-13 x 1 1/2" Hex Head Self-locking	4

N.S. - Not Shown

N.S.S. - Not Sold Separately

++ Use 313240-3X Baffle and Shim Kit, if any these parts are replaced. The end play will be affected. Recommended end play is .003"/.008".

A/R - As Required



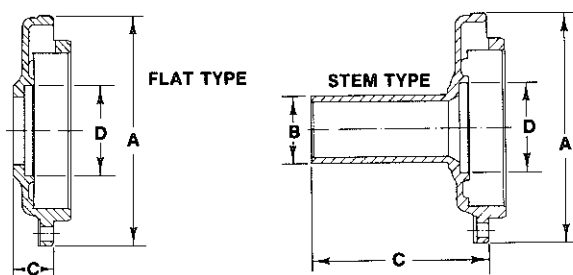
**MODEL ES70-5
REAR BEARING CAP and
DRIVE GEAR BEARING CAP CHARTS**

T210-ES70-5

REAR BEARING CAP CHART

BEARING CAP ASSEMBLY INCLUDES

Service Part Number	Oil Seal H-4	Casting Number	Speedometer Bushing H-5	Gasket H-3	Screws H-6	Qty.	Brake Type
63-19-6-2X	60-463-8	C63-19-7	60-475-1	63-223-3	545001-1	(4)	—
63-19-8-2X	60-463-8	C63-19-9	30-475-1	63-223-6	545001-1 545008-1	(4) (2)	DCM
63-19-10-2X	60-463-8	C63-19-4	30-475-1	63-223-3	545001-1	(4)	—
63-19-27-2X	60-463-8	C63-19-7	60-475-1	63-223-3	545001-1 545001-7	(3) (1)	—
63-19-33-2X	63-463-1	C63-19-35	—	63-223-7	545001-1	(6)	12" x 4"
63-19-37-2X	71-463-12	C63-19-29	60-475-1	63-223-6	545001-1 545008-1 545008	(4) (1) (1)	—
63-19-38-1X	63-463-1	C63-19-39	—	63-223-7	545001-1	(6)	—
63-19-40-2X	60-463-8	C63-19-41	—	63-223-3	545001-1 545008-1	(4) (2)	DCM
63-19-42-2X	60-463-8	C63-19-43	—	63-223-6	545001-1	(4)	—



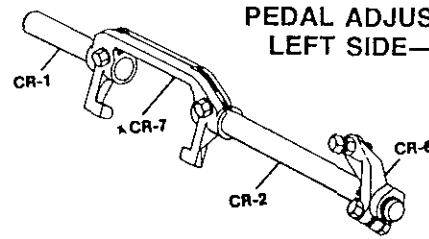
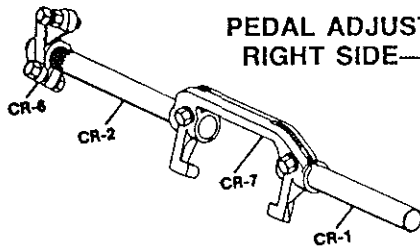
FRONT BEARING CAP CHART

A Outside Diameter	B Stem Diameter	C Length	D Oil Seal Bore Diameter	FRONT BEARING CAP	
				Casting Number	Assembly Includes Oil Seal F-2
FLAT TYPE				PULL TYPE RELEASE	
7 5/8"	—	15/16"	2 1/2"	C63-19-2-1	63-19-36-1X
STEM TYPE				PUSH TYPE RELEASE	
7 7/32"	1 15/16"	6 7/32"	2 1/2"	C63-19-13	63-19-20-1X
7 5/8"	1 15/16"	6 7/32"	2 1/2"	C63-19-16	63-19-21-1X
7 5/8"	1 7/8"	5 29/32"	2 1/2"	C63-19-5	63-19-22-1X
7 5/8"	2 1/4"	5 27/32"	2 1/2"	C63-19-18	63-19-30-2-1X
7 5/8"	2 1/4"	6 13/32"	2 1/2"	C63-19-18	63-19-30-3-1X
7 5/8"	1 7/8"	5 3/8"	2 1/2"	C63-19-5	63-19-31-1X



T210-ES70-5

MODEL ES70-5
CLUTCH RELEASE CODE TABLE

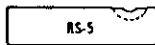


CR-1 SHORT SHAFT

Part No.	Length
106C-1141	5.125"
106C-1142	6.125"
106C-1185	5.750"
106C-1216	4.750"
106C-1278	4.812"
106C-1360	5.312"
106C-1375	6.781"
106C-1498	6.500"
106C-1544	7.000"
330601-1	6.250"

CR-2 LONG SHAFT (Cont'd)

Part No.	Type	Length
106C-1083	RS-8	7.969"
106C-1094	RS-8	8.469"
106C-1123	RS-8	12.968"
106C-1169	RS-8	9.125"
106C-1315	RS-8	7.625"
106C-1367	RS-8	10.312"
106C-1375	RS-8	6.781"
106C-1417	RS-8	7.250"
106C-1422	RS-8	7.500"
106C-1515	RS-5	11.375"
106C-1529	RS-5	8.312"
330610-5	RS-8	9.469"
330610-11	RS-8	10.750"
46-510-9	RS-5	7.125"
330610-10	RS-8	9.500"



CR-2 LONG SHAFT

Part No.	Type	Length
106C-438	RS-5	14.000"
106C-588	RS-5	7.000"
106C-617	RS-8	10.469"
106C-839	RS-8	11.469"
106C-939	RS-8	10.000"
106C-953	RS-8	9.750"
106C-960	RS-8	8.719"
106C-1046	RS-8	8.968"
106C-1047	RS-8	9.469"

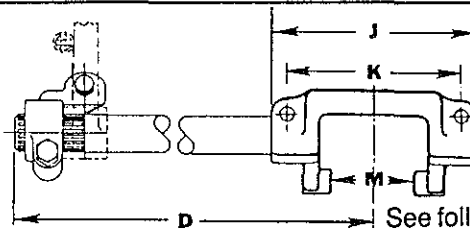
CR-6 PEDAL ADJ. ARM

310233X	For Left Side Mtg.
310473X	For Right Side Mtg.
47-526-1-1X*	Lever Type 7/4"
310873X*	Lever Type 7/4"

*Lever type can be used on either right or left side.

THRU SHAFT (used with Push Type Clutch)

Part No.	Type	Length
106C-1566	Splined	19.125"
106C-1550	Keyed	16.375"
106C-1558	Keyed	19.000"
106C-1578	Splined	19.500"
49-510-1	Keyed	19.120"
97-510-2	Splined	19.313"



See following page for "D" dimensions.

CLUTCH RELEASE YOKES

CR-7	Forging No.	Used With	Type	J	K	M
105C-64	F105C64	Spicer 15 1/2" SP	Pull	8.000"	6.500"	4.895"
105C-68	F105C99	Spicer 14" SP	Pull	7.125"	5.750"	4.132"
105C-117 ¹	F105C118	Spicer & Others	Push	8.375"	7.000"	4.885"
105C-124 ²	F105C125	Spicer AL & AR	Push	3.750"	2.125"	2.885"
105C-132 ²	F105C118	Spicer & Others	Push	8.375"	7.000"	4.885"
105C-137	F105C138	Spicer 13" and 14" 2P	Pull	8.000"	6.500"	4.895"
85-509-3 ³	F105C118	Spicer & Others	Push	8.375"	7.000"	4.885"

¹Machined washer surface on yoke front

²Machined washer surface on yoke rear (for clearance)

³Same as ¹ above except contains spring holes in lugs

■ Use 7743X Clutch Release Bearing and (2) 230C-12 Springs.

★ CLUTCH RELEASE YOKE ATTACHING PARTS—

Use one KEY 10-30, two SCREWS 330231 and two LOCK

WASHERS 500356-12

NOTE: When changing from a two plate to single plate clutch or vice versa, a different bearing cap will be required.

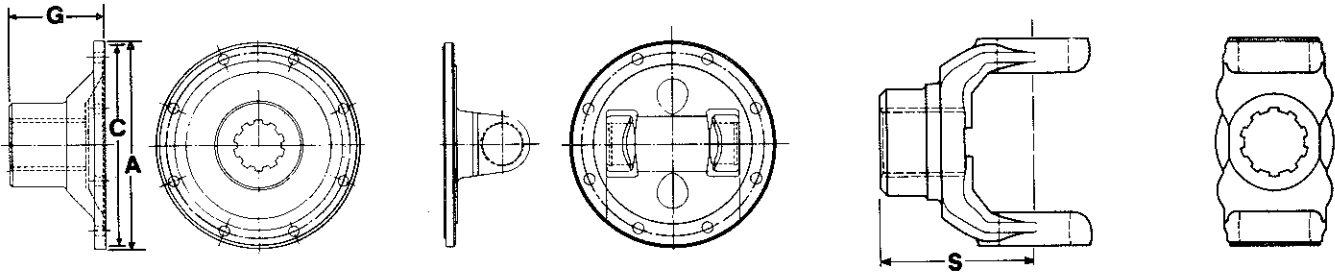


**MODEL ES70-5
CLUTCH RELEASE CODE TABLE**

T210-ES70-5

Rel.Code See Tab Bill	CR-7 Yoke ★	Shaft		Adjustable Arm	D Dim. (In.)	Rel.Code See Tab Bill	CR-7 Yoke ★	Shaft		Adjustable Arm	D Dim. (In.)
		CR-1 Short	CR-2 Long					CR-1 Short	CR-2 Long		
1	105C-64	106C-1142	106C-1047	310233X	11.969	60	105C-137	106C-1185	106C-617	310233X	12.969
2	105C-64	106C-1185	106C-438	—	16.500	61	105C-137	106C-1185	106C-839	310233X	13.969
3	105C-64	106C-1185	106C-939	310233X	12.500	62	105C-137	106C-1185	106C-939	310233X	12.500
4	105C-64	106C-1185	106C-1046	310233X	11.468	63	105C-137	106C-1185	106C-939	310473X	12.500
5	105C-64	106C-1185	106C-1047	310233X	11.969	64	105C-137	106C-1185	106C-953	310473X	12.250
6	105C-64	106C-1185	106C-1047	47-526-1-1X	11.969	65	105C-137	106C-1185	106C-1046	310233X	11.468
7	105C-64	106C-1544	106C-839	310233X	13.969	66	105C-137	106C-1185	106C-1046	310473X	11.468
8	105C-68	106C-1142	106C-438	—	16.125	67	105C-137	106C-1185	106C-1047	310233X	11.969
9	105C-68	106C-1142	106C-617	—	12.594	68	105C-137	106C-1185	106C-1083	310233X	10.469
10	105C-68	106C-1142	106C-617	310233X	12.594	69	105C-137	106C-1185	106C-1094	—	10.969
11	105C-68	106C-1142	106C-839	310233X	13.594	70	105C-137	106C-1185	106C-1094	310233X	10.969
12	105C-68	106C-1142	106C-939	310233X	12.125	71	105C-137	106C-1185	106C-1123	—	15.468
13	105C-68	106C-1142	106C-1046	310233X	11.093	72	105C-137	106C-1185	106C-1123	310233X	15.468
14	105C-68	106C-1142	106C-1047	310233X	11.594	73	105C-137	106C-1185	106C-1367	—	12.812
15	105C-68	106C-1278	106C-438	—	16.125	74	105C-137	106C-1185	106C-1367	310233X	12.812
15A	105C-68	106C-1278	106C-939	310473X	12.125	75	105C-137	106C-1185	106C-1375	310873X	9.281
15B	105C-68	106C-1278	106C-939	310233X	12.125	76	105C-137	106C-1185	106C-1515	—	13.875
16	105C-117	106C-1071	106C-939	310233X	12.750	77	105C-137	106C-1185	106C-1529	—	10.812
17	105C-117	106C-1071	106C-1094	310233X	11.219	78	105C-137	106C-1185	330610-5	—	11.969
18	105C-117	106C-1142	106C-939	310233X	12.750	78A	105C-137	106C-1185	46-510-9	—	9.625
19	105C-117	106C-1185	106C-438	—	16.750	79	105C-137	106C-1216	106C-617	310233X	12.969
20	105C-117	106C-1185	106C-617	310233X	13.219	80	105C-137	106C-1278	106C-438	—	16.500
21	105C-117	106C-1185	106C-839	47-526-1-1X	14.219	81	105C-137	106C-1278	106C-588	—	9.500
22	105C-117	106C-1185	106C-939	310233X	12.750	82	105C-137	106C-1278	106C-588	310233X	9.500
23	105C-117	106C-1185	106C-953	310873X	12.500	83	105C-137	106C-1278	106C-617	310233X	12.969
24	105C-117	106C-1185	106C-960	310233X	11.469	84	105C-137	106C-1278	106C-939	310233X	12.500
25	105C-117	106C-1185	106C-1046	310233X	11.718	84A	105C-137	106C-1278	106C-939	310473X	12.500
26	105C-117	106C-1185	106C-1047	310233X	12.219	85	105C-137	106C-1278	106C-939	310873X	12.500
27	105C-117	106C-1185	106C-1083	—	10.719	86	105C-137	106C-1278	106C-960	310233X	11.219
28	105C-117	106C-1185	106C-1083	310233X	10.719	87	105C-137	106C-1278	106C-1046	—	11.468
29	105C-117	106C-1185	106C-1083	310473X	10.719	88	105C-137	106C-1278	106C-1046	310233X	11.468
30	105C-117	106C-1185	106C-1094	310233X	11.219	89	105C-137	106C-1278	106C-1047	—	11.969
31	105C-117	106C-1185	106C-1094	310873X	11.219	90	105C-137	106C-1278	106C-1047	310233X	11.969
32	105C-117	106C-1185	106C-1169	310233X	11.875	91	105C-137	106C-1278	106C-1083	310233X	10.469
33	105C-117	106C-1185	106C-1315	—	10.375	91A	105C-137	106C-1278	106C-1083	310473X	10.469
34	105C-117	106C-1185	106C-1315	310233X	10.375	92	105C-137	106C-1278	106C-1094	310233X	10.969
35	105C-117	106C-1185	106C-1315	47-526-1-1X	10.375	92A	105C-137	106C-1278	106C-1315	310233X	10.125
35A	105C-117	106C-1185	106C-1375	310873X	9.531	93	105C-137	106C-1278	106C-1375	310233X	9.281
36	105C-117	106C-1185	106C-1417	310233X	10.000	94	105C-137	106C-1278	106C-1422	310233X	10.000
37	105C-117	106C-1185	106C-1417	310873X	10.000	95	105C-137	106C-1278	106C-1529	—	10.812
38	105C-117	106C-1185	106C-1490	310233X	18.750	96	105C-137	106C-1360	106C-1083	—	10.469
39	105C-117	106C-1278	106C-939	310233X	12.750	96A	105C-137	106C-1360	106C-1417	310233X	9.750
40	105C-117	106C-1278	106C-960	310873X	11.469	97	105C-137	106C-1360	106C-1422	310233X	10.000
41	105C-117	106C-1278	106C-1047	310233X	12.219	98	105C-137	106C-1375	106C-438	310233X	16.500
42	105C-117	106C-1278	106C-1094	310233X	11.219	99	105C-137	106C-1498	106C-438	—	16.500
43	105C-117	106C-1278	106C-1315	310233X	10.375	100	105C-137	106C-1498	106C-617	310233X	12.969
44	105C-117	106C-1278	106C-1367	310233X	13.062	101	105C-137	106C-1498	106C-617	310473X	12.969
45	105C-117	106C-1360	106C-1083	310233X	10.719	102	105C-137	106C-1498	106C-939	310233X	12.500
46	105C-117	106C-1360	106C-1315	310233X	10.375	103	105C-137	106C-1498	106C-939	310473X	12.500
46A	105C-117	106C-1360	330610-10	—	12.250	104	105C-137	106C-1498	106C-953	310233X	12.250
47	105C-117	Thru Shaft	106C-1550	—	—	105	105C-137	106C-1498	106C-959	310233X	14.468
48	105C-117	Thru Shaft	106C-1558	—	—	106	105C-137	106C-1498	106C-1046	310233X	11.468
49	105C-124	106C-1185	106C-438	—	14.313	107	105C-137	106C-1498	106C-1047	—	11.969
50	105C-124	Thru Shaft	106C-1566	310233X	—	108	105C-137	106C-1498	106C-1047	310233X	11.969
51	105C-124	Thru Shaft	106C-1566	310473X	—	109	105C-137	106C-1498	106C-1083	310233X	10.469
52	105C-124	Thru Shaft	106C-1566	310873X	—	110	105C-137	106C-1498	106C-1094	—	10.969
52A	105C-124	Thru Shaft	49-510-1	310233X	—	111	105C-137	106C-1498	330610-11	310233X	13.250
53	105C-132	106C-1185	106C-1047	310233X	9.782	112	105C-137	330601-1	106C-939	310233X	12.500
54	105C-132	106C-1185	106C-1083	310233X	8.282	112A	85-509-3	106C-1278	106C-939	310233X	12.750
55	105C-132	106C-1185	106C-1417	310873X	7.563	113	85-509-3	106C-1360	106C-1417	310233X	10.000
56	105C-132	106C-1185	46-510-9	—	7.438	114	85-509-3	Thru Shaft	106C-1578	310233X	—
57	105C-132	106C-1278	46-510-9	—	7.438	114A	85-509-3	Thru Shaft	106C-1578	310473X	—
58	105C-137	106C-1141	106C-1169	310233X	11.625	115	85-509-3	Thru Shaft	106C-1578	310873X	—
59	105C-137	106C-1185	106C-438	—	16.500	116	312916	Thru Shaft	97-510-2	—	—

■ Use 7743X Clutch Release Bearing and (2) 2306-12 Springs.



COMPANION FLANGE

FLANGE YOKE

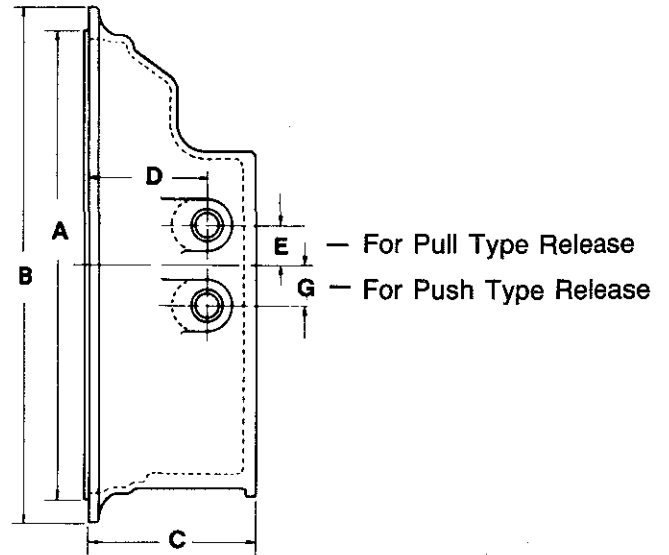
END YOKE

Companion Flanges and End Yokes						
Joint Series	A Flange Diameter	Companion Flange	G End of Hub to Flange Face Length	C Pilot Diameter F-Female	Mates with Flange Yoke	
					Part No.	Series
1550	5 7/8"	4-1-3781	3 5/8"	F-3 3/4"	4-2-669	1550
1610	6 7/8"	5-1-3141	3 5/8"	F-6 5/8"	5-2-279	1480
1710	8"	6-1-2221	3 1/4"	F-7 3/4"	{ 5-2-779 6-2-749	{ 1650 1700
1810	8"	6.5-1-2121	3 3/4"	F-7 3/4"	{ 6-2-779 6.5-2-359	{ 1710 1810

End Yokes

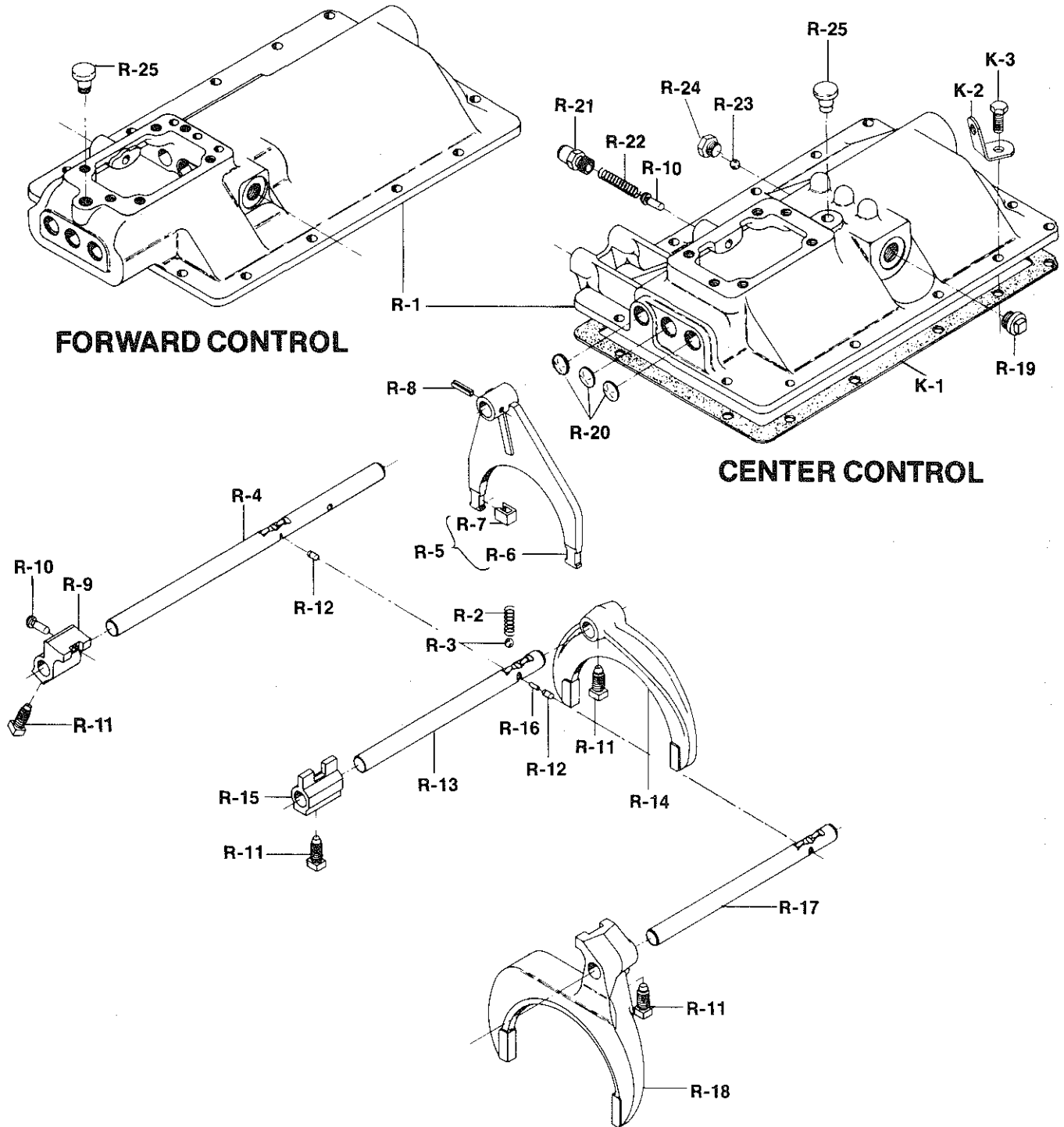
Joint Series	End Yoke Part No.	S End of Hub to Center Line Length	Momentary Joint Angle
1610	5-4-1661	5.000"	22°
1610	5-4-7041-1	5.280"	22 1/2°
1710	6-4-2361	5.250"	22°
1710	6-4-3831	5.156"	25°
1710	6-4-3831-1	5.160"	25°

SAE		
Size No.	A Pilot Dia.	B O.D.
1	20 ¹ / ₈ "	21 ³ / ₄ "
2	17 ⁵ / ₈ "	19 ¹ / ₄ "
3	16 ¹ / ₈ "	17 ³ / ₄ "



CLUTCH HOUSING				RELEASE SHAFT HOLE				
Service Assembly No.	Bushing Number	Casting Part Number	S A E	C Length	C/L Dia.	D E Front Face	G Above C/L	Below C/L
312098X◀	128C-20	C62-518-25	2	6"	1"	3 5/8"	—	2 1/2"
62-518-27-1X	128C-20	C102C-430-3	2	5 1/16"	1"	3" 2 17/32"	1 1/2" —	— 2 5/8"
62-518-29-1X	128C-20	C62-518-13	2	6 1/2"	1"	3 3/4" 3 5/8"	1 1/2" —	— 2 1/2"
62-518-30-1X	128C-20	C62-518-13	2	6 1/2"	1"	4 3/16" 3 5/8"	1 1/2" —	— 2 1/2"
62-518-31-1X■	128C-20	C73-518-5	2	6 1/2"	1"	4 3/16" 3 5/8"	1 1/2" —	— 2 1/2"
62-518-32-1X	128C-20	C102C-521	1	6 1/2"	1"	3 3/4" 3 3/4"	1 1/2" —	— 2 5/8"
62-518-35-1X▶	128C-20	C62-518-13	2	6 1/2"	1"	4 3/16" 3 5/8"	1 1/2" —	— 2 1/2"
73-518-3	—	C73-518-2	2	5 5/8"	1"	2 3/4"	3"	—
313243▶	—	As Purchased	2	6 1/2"	1"	3 19/32"	—	2 1/2"
313249▶	—	As Purchased	2	6 1/2"	1"	3 19/32"	—	2 1/2"

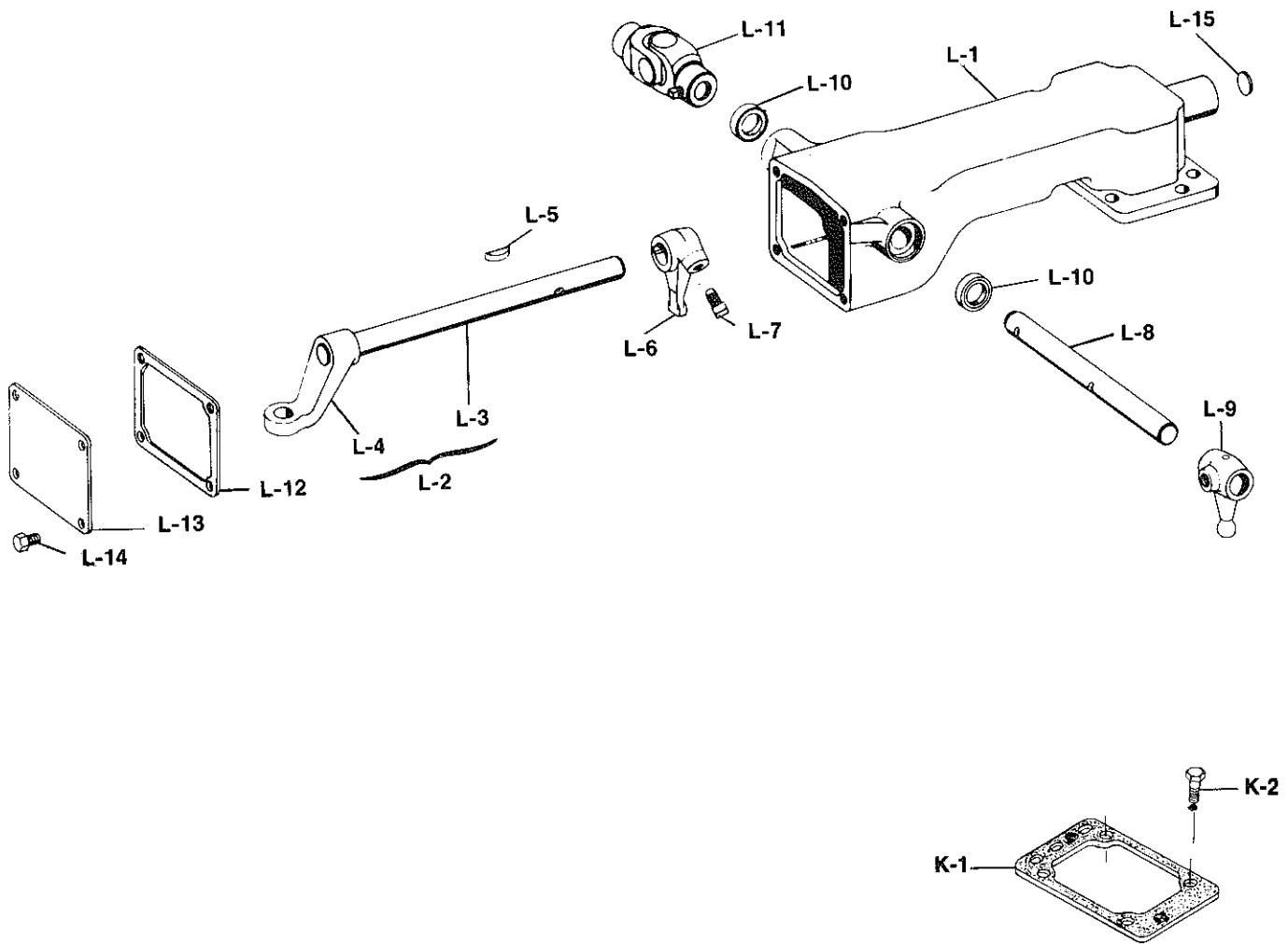
- ◀ Nodal Mounting
- Side Nodal Mounting
- ▶ Special Ford only





Ref. No.	Part No.	Part Description	Center		Forward				
			63-16-1-		63-16-9-		63-16-3-		
			1X	2X	1X	1X	2X	4X*	5X
	See Tab Bills	Shifter Housing Assembly	1	1	1	1	1	1	1
R-1	63-16-1	Shifter Housing (Casting No. C63-16-2)	1	-	-	-	-	-	-
or	63-16-9	Shifter Housing (Casting No. C63-16-2-1)	-	-	-	-	-	-	-
or	63-16-3	Shifter Housing (Casting No. C63-16-4)	-	-	1	1	1	1	1
R-2	47-72-1	Spring - Shift Rod Poppet Ball	3	3	3	3	3	3	3
R-3	50-80-1	Ball - Shift Rod Poppet	3	3	3	3	3	3	3
R-4	63-67-5	Shift Rod - 1st and Reverse	1	1	-	-	-	-	-
or	63-67-2	Shift Rod - 1st and Reverse	-	-	1	1	1	1	1
R-5	63-66-1-1X	Shift Fork & Clip Assy. - 1st and Reverse	1	1	1	1	1	1	1
R-6	N.S.S.	Shift Fork	1	1	1	1	1	1	1
R-7	46-486-1	Clip	2	2	2	2	2	2	2
R-8	500598-15	Roll Pin - 1st and Reverse Shift Rod	1	1	1	1	1	1	1
R-9	63-354-1	Shift Rod Bracket - 1st and Reverse	1	1	1	1	1	1	1
R-10	62-438-2	Pin - 1st and Reverse Shift Finger Plunger	2	2	2	2	2	2	2
R-11	545063	Screw - Shift Fork and Bracket	4	4	4	4	4	4	4
R-12	32-12-1	Interlock	2	2	2	2	2	2	2
R-13	62-67-22	Shift Rod - 2nd and 3rd	1	1	-	-	-	-	-
or	62-67-13	Shift Rod - 2nd and 3rd	-	-	1	1	1	1	1
R-14	62-66-25	Shift Fork - 2nd and 3rd	1	1	-	-	-	-	-
or	62-66-20	Shift Fork - 2nd and 3rd	-	-	1	1	1	1	1
R-15	62-354-4	Shift Rod Bracket - 2nd and 3rd	1	1	1	1	1	1	1
R-16	289-SP	Pin - Interlock	1	1	1	1	1	1	1
R-17	63-67-4	Shift Rod - 4th and 5th	1	1	-	-	-	-	-
or	63-67-3	Shift Rod - 4th and 5th	-	-	1	1	1	1	1
R-18	62-66-27	Shift Fork - 4th and 5th	1	1	-	-	-	-	-
or	62-66-22	Shift Fork - 4th and 5th	-	-	1	1	1	1	1
R-19	545021	Plug - Interlock	1	1	1	1	1	1	1
R-20	500166-12	Expansion Plug - 7/8" dia.	3	3	3	3	3	3	3
R-21	38P-1	Retainer - 1st and Reverse Shift Finger Plunger	1	1	1	1	1	1	1
R-22	30-72-6	Spring - 1st and Reverse Shift (28 lbs. - 2 1/8")	1	-	-	1	-	-	-
or	62-72-8	Spring - 1st and Reverse Shift (60 lbs. - 2 1/64")	-	-	-	-	-	-	-
or	63-72-1	Spring - 1st and Reverse Shift (31 lbs. - 1 27/32")	-	1	1	-	1	-	-
or	82-72-3	Spring - 1st and Reverse Shift (15 lbs. - 2 3/8")	-	-	-	-	-	1	1
R-23	50-80-4	Ball - Back-up Switch	1	1	-	-	-	1	1
R-24	330366	Plug - Back-up Switch Hole	1	1	1	1	1	1	1
R-25	312268	Breather Assembly	1	1	-	-	-	-	-
or	4328X	Breather Assembly	-	-	1	1	1	1	1
Parts Listed Below are not Included in Assembly									
K-1	62-155-8	Gasket - Shifter Housing	1	1	1	1	1	1	1
K-2	330564-1	Lift Hook	2	2	2	2	2	2	2
K-3	545002-4	Bolt - 3/8"-16 x 1 1/8" Hex Head Self-locking	14	14	14	14	14	14	14

* This Shifter Housing has 5th Speed locked out with a 55-203-15 Sleeve
N.S.S. - Not Sold Separately



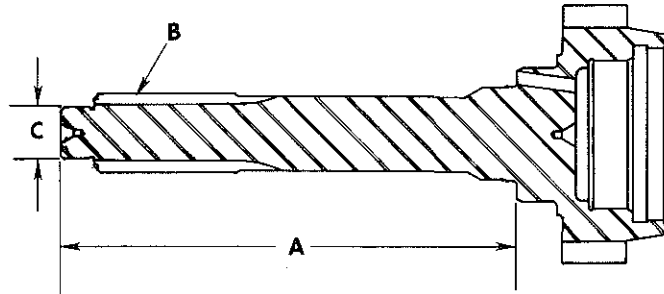


**MODEL ES70-5
REMOTE CONTROL ASSEMBLY
High Rod Type**

T210-ES70-5

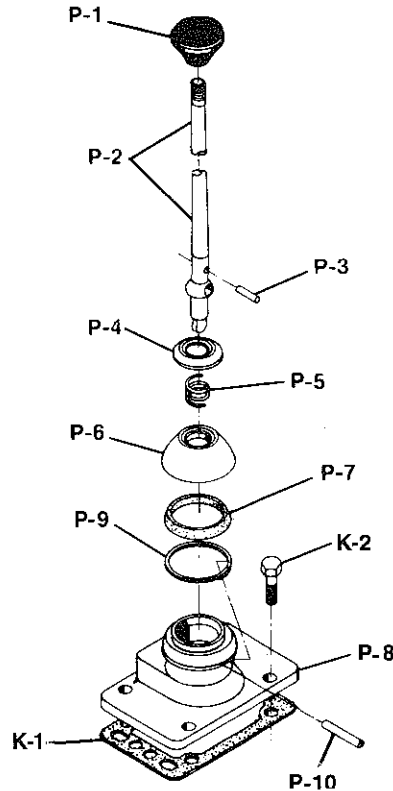
Ref. No.	Part Number	Part Description	47-16-8-			47-16-9-	
			3X	4X	5X	2X	4x
	See Tab Bills	Cover and Joint Assembly - Remote Control	1	1	1	1	1
	47-16-8-1X	Cover Assembly (Casting No. 62-16-78)	1	1	1	-	-
	47-16-9-1X	Cover Assembly (Casting No. 62-16-78-1X)	-	-	-	1	-
	47-16-10-1X	Cover Assembly (Casting No. 62-16-96)	-	-	-	-	1
L-1	N.S.S.	Remote Control Cover	1	1	1	1	1
N.S.	82-24-3	Bushing - Remote Control Cover	4	4	4	4	4
L-2	310647X	Shift Finger Rod and Bracket Assembly	1	1	1	-	-
or	310879X	Shift Finger Rod and Bracket Assembly	-	-	-	1	-
or	311661X	Shift Finger Rod and Bracket Assembly	-	-	-	-	1
L-3	N.S.S.	Rod - Shift Finger	1	1	1	1	1
L-4	N.S.S.	Bracket - Shift Finger Rod	1	1	1	1	1
L-5	500007-19	Woodruff Key - #11	1	1	1	1	1
L-6	62-6-24	Finger - Inner Shift	1	1	1	1	1
L-7	545011	Bolt - 7/16"-20 x 7/8" Head Hex Self-locking	2	2	2	2	2
L-8	82-65-5	Rod - Remote Control Shift	1	1	1	1	-
or	82-65-22	Rod - Remote Control Shift (counter sunk spots at 90 deg.)	-	-	-	-	1
L-9	82-6-7	Finger - Outer Shift	1	1	1	1	1
L-10	28P-19	Seal - Remote Control Shift Rod	2	2	2	2	2
L-11	10380-SF	U-Joint Assembly - Control	1	-	-	1	-
L-12	82-118-1	Gasket - Aperture Cover	1	1	1	1	1
L-13	82-96-1	Aperture Cover	1	1	1	1	1
L-14	545005-1	Bolt - 5/16"-18 x 5/8" Hex Head Self-locking	4	4	4	4	4
L-15	500166-16	Expansion Plug - 1 1/16"	1	1	1	1	1
N.S.	311903X	Boot Kit - Remote Control	1	-	1	-	-
N.S.	82-483-1	Boot	1	-	1	-	-
N.S.	82-483-2	Boot - cup type	1	-	1	-	-
N.S.	LW-3	Lockwire	3	-	3	-	-
		Parts Listed below are not Included in Assembly					
K-1	62-155-7	Gasket - Shifter Housing to Control Cover	1	1	1	1	1
K-2	545028-4	Bolt - 7/16"-14 x 1 1/4" Hex Head Self-lockint	4	4	4	4	4

N.S. - Not Shown
N.S.S. - Not Sold Separately



Teeth	A Length	B Spline Dia. Teeth	C- Pilot	Drive Gear Part No.
			Size	
24	10.362"	1 1/2"-10	.983"	63-35-37-1X*
24	8.925"	1 1/2"-10	.983"	63-35-45-1X*
24	9.896"	1 1/2"-10	.983"	63-35-38-1X*
24	10.362"	1 3/4"-10	1.180"	63-35-34-1X*
24	10.362"	1 3/4"-10	.983"	63-35-57-1X*
25	10.362"	1 1/2"-10	.983"	63-35-39-1X*
25	9.896"	1 3/4"-10	1.180"	63-35-52-1X*
25	10.362"	1 3/4"-10	1.180"	63-35-46-1X*
25	10.362"	1 3/4"-10	.983"	63-35-56-1X*
30	10.362"	1 3/4"-10	1.180"	63-35-36-1X*

* Includes Drive Gear and 313240-3X Baffle & Shim Kit.



Ref. No.	Part Number	Part Description	47-16-5-38X	47-16-5-22X	47-16-5-43X	47-16-3-1X	47-16-3-25X	47-16-5-21X
		Lever and Dome Assembly—shift	1	1	1	1	1	1
P-1	See Tab Bills 39Q-27	Handle—shift lever	1			1	1	
P-2	25Q-1121	Shift Lever 26 $\frac{1}{4}$ " Straight				1		
	25Q-1122	Shift Lever 29 $\frac{1}{4}$ " Straight					1	
	25Q-1621	Shift Lever 30" Straight	1					1
	25Q-1537	Shift Lever		1				
	25Q-2464	Shift Lever—lower end (3.5")			1			
N.S.	55Q-5	Grommet—shift lever (boot)	1	1				1
	47-16-3X	Dome Assembly—2 $\frac{5}{8}$ " overall height				1	1	
	47-16-5X	Dome Assembly—3 $\frac{5}{8}$ " overall height	1	1	1			1
P-3	286-SP	Pin—shift lever collar	1	1	1	1	1	1
P-4	55Q-7	Collar—compression	1	1	1	1	1	1
P-5	56Q-25	Spring—compression	1	1	1	1	1	1
P-6	54Q-13	Cup—compression	1	1	1	1	1	1
P-7	69Q-6	Washer—friction	1	1	1	1	1	1
P-8	47-16-3	Dome—shift lever				1	1	
	47-16-5	Dome—shift lever	1	1	1			1
P-9	62-381-7	Snap Ring—rock shaft	1	1	1	1	1	1
P-10	53Q-15	Shaft—shift lever rock	1	1	1	1	1	1
		PARTS LISTED BELOW ARE NOT INCLUDED IN ASSEMBLY						
K-1	62-155-13	Gasket—dome to shifter housing	1	1	1	1	1	1
K-2	545002	Screw— $\frac{7}{16}$ "-14 x $1\frac{1}{8}$ " hex head self-locking	4	4	4	4	4	4
N.S. — Not Shown								



**MODEL ES70-5
BASIC OVERHAUL KITS**

T210-ES70-5

Part Number	Part Description	Qty.
313400-57X	Major Overhaul Kit	1
500010-8	Woodruff Key - Countershaft 2nd,3rd,4th, & C/S Drive Gear	4
500898	Nut - Mainshaft	1
425-SP	Pin - 4th Mainshaft Gear Sleeve	1
313432-20X	Minor Overhaul Kit	1
313429-14X	Shifter Housing Small Parts Repair Kit	1
313401-14X	Thrust Washer Kit	1
313432-20X	Minor Overhaul Kit (included in Major Overhaul Kit)	1
	Bearings	
500936	Countershaft Rear Taper Cone	1
550183	Rear Output Front Cone	1
550228	Rear Output Front Cup	1
550612	Mainshaft Rear Cone	1
550886	Roller Assy. Reverse Idler Gear	2
550929	Drive Gear Cup	1
550929	Mainshaft Rear Cup	1
550930	Drive Gear Cone	1
550933	Countershaft Front Cup	1
550934	Countershaft Front Cone	1
550935	Countershaft Rear Taper Cup	1
550938	1st and Reverse Mainshaft Needle Assy.	2
550983	Needle Split 2nd Gear	1
60-463-8	Oil Seal - Rear Bearing Cap (3.756" O.D.)	1
60-463-10-1X	Oil Seal Kit (w/installation sleeves) - Drive Gear Brg. Cap	1
545077	Bearing Lubricant - Packet	1
545080	Anaerobic Sealant - Mainshaft Nut	1
47-228-1-1	Mainshaft Bearing	9
47-228-2-2	Mainshaft Front Bearing	1
47-228-2-10	Spacer - Mainshaft Rear	1
2342-6	Service Manual	1
2734	Bulletin - Thrust Washer Installation	1
2759	Bulletin - Drive Gear Replacement	1
2770	Bulletin - Pocket Bearing Lubrication	1
2783	Bulletin - Mainshaft Nut Anaerobic Sealant	1
312475-29X	Gasket Kit	1
313024-22X	Snap Ring Kit	1
313439X	Countershaft Rear Bearing Shim Kit	1
313429-14X	Shifter Housing Small Parts Repair Kit (Included in Major Overhaul Kit)	1
38P-1	Retainer - 1st and Rev. Shift Finger Plunger	1
289-SP	Pin - Interlock	1
30-72-6	Spring - 1st and Rev. Shift Finger Plunger	1
32-12-1	Interlock	2
32-59-3	Plug - Shift Rod Thimble	1
500166-12	Plug - Shift Rod Hole Expansion	3
500598-15	Pin - 1st and Reverse Shift Rod Roll	1
47-72-1	Spring - Shift Rod Poppet Ball	3
50-80-1	Ball - Shift Rod Poppet	3
62-438-2	Pin - 1st and Reverse Shift Finger Plunger	2



Part Number	Part Description	Qty.
313401-14X	Thrust Washer Kit (Included in Major Overhaul Kit)	1
330871	Mainshaft Rear	1
974-W	Reverse Idler Bearing	2
330884	1st and 2nd Speed Mainshaft Gear	1
1001-W	4th Speed Mainshaft Gear	1
63-47-1	Split 2nd Gear	1
312475-29X	Gasket Kit (Included in Minor Overhaul Kits)	1
62-155-13	Control Housing	1
62-155-8	Shifter Housing	1
63-223-1	Countershaft Rear Bearing Cap	1
63-223-2	Drive Gear Bearing Cap	1
63-223-3	Mainshaft Rear Bearing Cap	1
63-223-4	Drive Gear Bearing Cap (Ford)	1
63-223-5	Countershaft Front Bearing Cap (Ford)	1
63-223-6	Mainshaft Rear Bearing Cap (Bendix Brake Cap)	1
63-223-7	Mainshaft Rear Bearing Cap (Ford)	1
82-118-1	Remote Control Aperture Cover	1
97-324-1-1X	PTO (6 Bolt) Kit	1
97-324-2-1X	PTO (8 Bolt) Kit	1
63-352-2	Clutch Housing	1
2749	Bulletin - Gasket Installation	1
313024-22X	Snap Ring Kit (Included in Minor Overhaul Kit)	1
62-381-4	4th Speed Mainshaft Gear	1
62-381-8	2nd and 3rd Speed Mainshaft Gear	1
63-381-1	1st and 2nd Speed Mainshaft Gear	1
70-381-6	Countershaft Drive Gear	1
313439X	Shim Kit - C/S Rear Bearing (Included in Minor Overhaul Kit)	1
63-228-2-1	Shim - Rear Bearing	4
2789	Bulletin- Drive Gear Replacement	1

MODEL ES70-5
TABULATED BILLS OF MATERIAL

SPICER®



T210-ES70-5

Tab No.	Used by	For Use With Clutch	S A E	Clutch Housing	Rel. Code Pages 10-11	Drive Gear A-1	Drive Gear Bearing Cap F-2	Case Assembly G-1
				Assembly Number				
Model ES70-5A								
301536								
-1	Navistar	Pull Type	2	62-518-29-1X	-	63-35-34-1X	63-19-36-1X	63-15-1-1X
2	Navistar	Pull Type	2	62-518-29-1X	-	63-35-34-1X	63-19-36-1X	63-15-1-1X
-3	Navistar	Pull Type	2	62-518-29-1X	-	63-35-57-1X	63-19-36-1X	63-15-1-1X
-4	General use (generic)	Pull Type	2	62-518-29-1X	-	63-35-34-1X	63-19-36-1X	63-15-15-1X
-5	Navistar	Pull Type	2	62-518-29-1X	-	63-35-57-1X	63-19-36-1X	63-15-1-1X
-6	General use (generic)	Pull Type	1	62-518-32-1X	-	63-35-34-1X	63-19-36-1X	63-15-1-1X
-7	DSD	Pull Type	1	62-518-32-1X	59	63-35-34-1X	63-19-36-1X	63-15-1-1X
-8	Ford	Push Type	2	313243	-	63-35-37-1X	63-19-21-1X	63-15-15-1X
-9	General use (generic)	Pull Type	2	62-518-29-1X	-	63-35-34-1X	63-19-36-1X	63-15-1-1X
-10	DSD	Pull Type	2	62-518-29-1X	80	63-35-34-1X	63-19-36-1X	63-15-1-1X
-11	General use (generic)	Pull Type	2	62-518-29-1X	-	63-35-34-1X	63-19-36-1X	63-15-1-1X
-12	Cooper Industries	Pull Type	2	62-518-29-1X	80	63-35-34-1X	63-19-36-1X	63-15-1-1X
-13	Ford	Pull Type	2	62-518-29-1X	-	63-35-34-1X	63-19-36-1X	63-15-15-1X
Model ES70-5D								
301539								
-1	Navistar	Pull Type	2	62-518-29-1X	-	63-35-34-1X	63-19-36-1X	63-15-1-1X
2	Navistar	Pull Type	2	62-518-29-1X	-	63-35-34-1X	63-19-36-1X	63-15-1-1X
-3	Navistar	Pull Type	2	62-518-29-1X	-	63-35-34-1X	63-19-36-1X	63-15-1-1X
-4	Navistar	Pull Type	2	62-518-29-1X	-	63-35-57-1X	63-19-36-1X	63-15-1-1X
-5	General use (generic)	Pull Type	2	62-518-29-1X	-	63-35-34-1X	63-19-36-1X	63-15-15-1X
-6	Ford	Pull Type	2	62-518-29-1X	-	63-35-34-1X	63-19-36-1X	63-15-15-1X
-7	Navistar	Pull Type	2	62-518-29-1X	-	63-35-57-1X	63-19-36-1X	63-15-1-1X
-8	Navistar	Pull Type	2	62-518-29-1X	-	63-35-57-1X	63-19-36-1X	63-15-1-1X
-9	Navistar	Pull Type	2	62-518-29-1X	-	63-35-57-1X	63-19-36-1X	63-15-1-1X

SPICER®



MODEL ES70-5

TABULATED BILLS OF MATERIAL

T210-ES70-5

Tab No.	M/Shaft Rear Brg. Cap Assembly H-1 (Incl. Bushing & Seal)	SPEEDOMETER			End Yoke or	SHIFTER		
		Drive Gear or Signal Gear B-24	Driven Gear h-7	Companion Flange Page 12	Housing Assy. Pages 14-15	Lever & Dome Page 19	Remote Cntl. Pages 16-17	
Model ES70-5A								
301536								
-1	63-19-40-2X	63-452-4	-	-	63-16-1-2X	-	-	
-2	63-19-42-2X	63-452-4	-	-	63-16-1-2X	-	-	
-3	63-19-10-2X	63-452-1	-	-	63-16-1-2X	-	-	
-4	63-19-38-1X	63-452-3	-	-	63-16-1-1X	-	-	
-5	63-19-42-2X	63-452-4	-	-	63-16-1-2X	-	-	
-6	63-19-6-2X	-	-	-	63-16-3-1X	-	-	
-7	63-19-6-2X	-	-	5-1-3141	63-16-3-1X	-	-	47-16-8-2X
-8	63-19-38-1X	-	-	-	63-16-1-1X	-	-	
-9	63-19-6-2X	-	-	-	63-16-3-1X	-	-	
-10	63-19-6-2X	-	-	4-1-3781	63-16-3-1X	47-16-3-1X	-	
-11	63-19-6-2X	-	-	-	63-16-3-1X	-	-	
-12	63-19-6-2X	62-452-3	62-453-4	6-1-2221	63-16-3-1X	47-16-3-1X	-	
-13	63-19-38-1X	62-452-3	-	6-4-3831-1	63-16-1-1X	-	-	
Model ES70-5D								
301539								
-1	63-19-40-2X	63-452-4	-	-	63-16-1-2X	-	-	
-2	63-19-42-2X	63-452-4	-	-	63-16-1-2X	-	-	
-3	63-19-10-2X	63-452-1	-	-	63-16-1-2X	-	-	
-3	63-19-40-2X	63-452-4	-	-	63-16-1-2X	-	-	
-5	63-19-38-1X	63-452-3	-	-	63-16-1-1X	-	-	
-6	63-19-38-1X	63-452-3	-	-	63-16-1-1X	-	-	
-7	63-19-10-2X	63-452-1	-	-	63-16-1-2X	-	-	
-8	63-19-8-2X	63-452-1	-	-	63-16-1-2X	-	-	
-8	63-19-42-2X	63-452-4	-	-	63-16-1-2X	-	-	

For parts or service call us
Pro Gear & Transmission, Inc.



1 (877) 776-4600

(407) 872-1901

parts@eprogear.com

906 W. Gore St.

Orlando, FL 32805

