

# PRO-SOURCE® Steel Tanks



## APPLICATIONS

Use wherever pressurized tanks are needed in water systems applications.

## SPECIFICATIONS

**Shell:** Heavy-gauge steel

**Base:** High-impact composite, ABS

**Finish:** Electrostatically applied, baked-on polyester paint

**Water Cell:** One-piece seamless PVC, made from FDA listed material

**Flange:** Reinforced polypropylene

**Service Connection:** Reinforced polypropylene integral to flange

**Air Valve:** Rubber stem/brass body Schrader valve assembly

**UV Valve Cover:** High-density polyethylene

## ORDERING INFORMATION

Catalog Number	Maximum Capacity Gal/Liter	Diameter* Inch/cm	Height Inch/cm	Length Inch/cm	Precharge PSI/kPa	Connection Size Female	Drawdown in Gallons/Liter			Weight lbs/kg
							20-40	30-50	40-60	
<b>VERTICAL MODELS</b>										
PS6-S02	6.0/22.7	12/30.5	16.1/40.9	-	40/276	3/4" NPT	2.2/8.3	1.8/6.8	1.6/6.0	18/8.2
PS19S-T02	19/72	20/51	21/53.3	-	40/276	1" NPT	6.9/26.1	5.8/21.9	5.0/18.9	45/20.4
PS19T-T02	19/72	16/40.6	27.5/70	-	40/276	1" NPT	6.9/26.1	5.8/21.9	5.0/18.9	40/18.1
PS32-T03	32/122	20/51	43/109	-	40/276	1" NPT	11.6/43.9	9.8/37.1	8.5/32.2	56/25.4
PS35-T05	35/133	16/40.6	33/84	-	40/276	1" NPT	12.7/48.1	10.7/40.5	9.3/35.2	66/29.9
PS50-T50	50/189	20/51	32.5/83	-	40/276	1-1/4" NPT	18.3/69.3	15.5/58.7	13.4/50.7	84/38.1
PS62-T51	62/235	24/61	39.5/100	-	40/276	1-1/4" NPT	21.4/81.0	18.3/69.3	16.0/60.6	112/50.8
PS85-T52	85/322	24/61	51/130	-	40/276	1-1/4" NPT	30/113.6	26/98.4	22/83.3	124/56.2
PS119-TR50	119/450	24/61	68/173	-	40/276	1-1/4" NPT	41.3/156.3	35.4/134.0	31.0/117.3	140/63.5
<b>IN-LINE VERTICAL MODELS</b>										
PS2-S01	2.0/7.6	8.4/21.3	12.6/32.0	-	20/137.8	3/4" NPTM	0.7/2.65	0.6/2.2	NA	12.6/5.7
PS5-S02	5.0/18.9	10.6/26.9	16.2/41.1	-	30/206.8	3/4" NPTM	2.2/8.3	1.8/6.8	1.8/6.8	16.2/7.3
<b>HORIZONTAL MODELS</b>										
PS6H-S05	6.0/22.7	12/30.5	13.8/35.0	16/40.6	40/276	3/4" NPT	2.2/8.3	1.8/6.8	1.6/6.0	22/10
PS19H-S00	19/72	16/40.6	17.5/44.5	28/71.1	40/276	1" NPT	6.9/26.1	5.8/21.9	5.0/18.9	40/18

\*Subject to change without notice.

Maximum Operating Pressure = 100 PSI

Maximum Liquid Temperature: 120°F (49°C) Maximum External (Ambient) Temperature: 125°F (52°C)

# PRO-SOURCE® Steel Tanks

## FEATURES

**Heavy-Gauge Metal Construction:** Sturdy “welded wrapper and head design.” Built to last.

**Polyester Paint Finish:** Electrostatically powder-painted, then oven-baked for a smooth high-gloss, appliance-quality finish. Resists corrosion.

**Elongated, Seamless Water Cell:** Controlled 2-dimensional cell expansion.

Rugged, seamless “water cell” prevents the most common cause of pump failure – “waterlogging.”

Water never touches the steel tank material.

Translucent bag material facilitates manufacturing quality control inspection.

## Composite Sealing Flange:

- Corrosion-resistant.
- Integral O-ring groove better traps the water cell’s sealing ring.
- Reinforcing ribs strengthen and maintain a flat smooth sealing surface.

**Integral Standpipe:** Keeps the water cell standing erect, promoting complete flushing of the water entering/exiting the tank.

**Nitrogen-Rich Precharge:** Decreases air permeation three to four times over straight air precharge.

**40 PSI Precharge:** Ready for use with 40/60 pressure range systems. Enables installer to reduce pressure depending on pressure switch setting.

**Sturdy Base:** Tested-tough composite construction.

## TANK SIZING RULE:

**Size tank for one gallon of drawdown for each gallon per minute at pump capacity.**

Example: For a 1 HP, 20 GPM unit pumping 20 gallons per minute on a 30-50 pressure switch setting, the properly sized Pro-Source® tank is a PS85-T52 which has a 26 gallon drawdown.

**CHART A: TANK SELECTION CHART**

Pump GPM	SYSTEM PRESSURE SWITCH SETTING – PSI					
	20-40		30-50		40-60	
	Runtimes					
	1 Minute	2 Minute	1 Minute	2 Minute	1 Minute	2 Minute
5	PS19T	PS32	PS19T	PS35	PS19T	PS50
7.5	PS32	PS50	PS32	PS50	PS32	PS62
10	PS32	PS62	PS35	PS85	PS50	PS85
12.5	PS35	PS85	PS50	PS85	PS50	PS119
15	PS50	PS85	PS50	PS119	PS62	PS119
20	PS62	PS119	PS85	PS85 (2)	PS85	PS85 (2)
30	PS85	PS85 (2)	PS119	PS119 + PS85	PS119	PS119 (2)
30	-	-	PS119	PS119 + PS85	PS119	PS119 (2)
50	PS62 + PS85	PS85 (3)	PS85 (2)	PS119 (3)	PS85 + PS119	PS119 (3) + PS50

Note: Drawdown will be affected by operating temperature of the system, accuracy of the pressure switch and gauge, the actual precharge pressure, and rate of fill. Pumps installed with a Pro-Source® tank require a 100 PSI relief valve. Relief valve must be capable of relieving entire flow of pump at relief pressure.

**CHART B: DRAWDOWN VOLUME MULTIPLIER\* (APPROX.)**

Pump Off Pressure PSI	PUMP START PRESSURE – PSI							
	10	20	30	40	50	60	70	80
20	0.26							
30	0.41	0.22						
40		0.37	0.18					
50		0.46	0.31	0.15				
60			0.40	0.27	0.13			
70			0.47	0.35	0.24	0.12		
80				0.42	0.32	0.21	0.11	
90				0.48	0.38	0.29	0.19	0.10
100					0.44	0.35	0.26	0.17

\*Utilize this chart if proper selection cannot be made using Chart A. Drawdown based on Boyle’s Law.

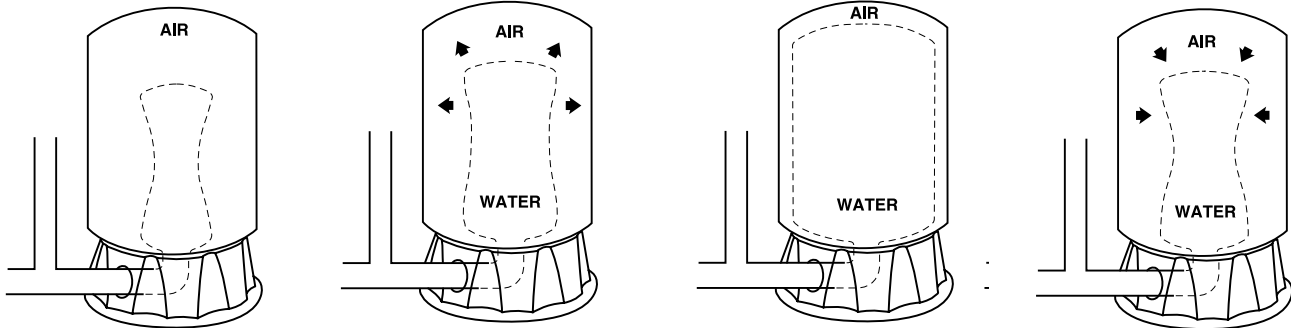
**PROCEDURE:** 1. Identify drawdown multiplier relating to specific application.  
2. Insert multiplier (X) into the following formula:  
**Pump GPM x Min Runtime** = **Minimum Tank Capacity Required**  
**Multiplier (X)**

**EXAMPLE:** An example of a 20 GPM pump with a minimum runtime of 1 minute, installed on a 50-70 PSIG system pressure range:  
$$\frac{20 \text{ GPM} \times 1 \text{ minute}}{.24 \text{ (factor) from Chart B}} = 83.3 \text{ minimum U.S. gal. tank capacity required}$$

Referring to “Ordering Information” chart, the model PS85-T52 has the closest U.S. gallon capacity that is greater or equal to the minimum volume requirement of 83.3 U.S. gallons.

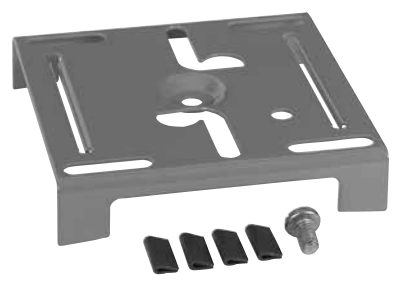
# PRO-SOURCE® Steel Tanks

## OPERATING CYCLE



- 1. Separator is completely empty:** A new cycle is ready to begin. Simple, positive action produces maximum drawdown on every cycle.
- 2. Water begins to enter the tank:** Air is compressed around the water separator as it fills with water.
- 3. Pump-up cycle completed:** Air is now compressed to the cut-off setting of pressure switch.
- 4. Water is being drawn from the tank:** Compressed air in the tank forces water out of the separator.

## ACCESSORIES



**PKG 198**  
Universal Jet Pump  
to Tank Bracket



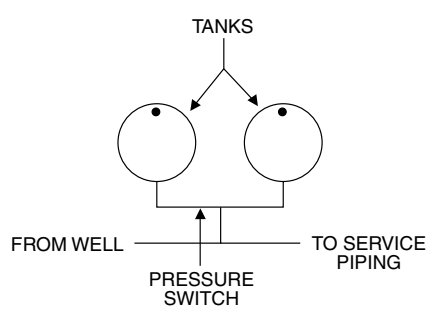
**PKG 111,  
PKG 112 or  
PKG 207**  
Jet Pump-to-Tank  
Mounting Pkg.

## ORDERING INFORMATION

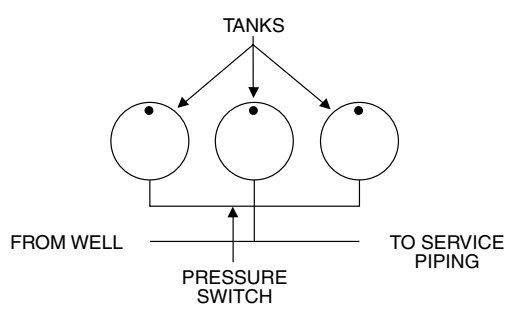
PKG 198	Jet Pump Mounting Bracket
PKG 111	Pump-to-Tank Fitting Package for composite jet pumps
PKG 112	Pump-to-Tank Fitting Package for cast iron series jet pumps with composite fittings
PKG 207	Pump-to-Tank Fitting Package for cast iron series jet pumps with galvanized fittings

## MULTIPLE TANK INSTALLATIONS

Pro-Source® tanks can be connected together to increase the supply of usable water (drawdown). Two tanks of the same size will double the supply and three tanks will triple the supply. See Figures No. 1 and 2 for the typical installations of this kind.



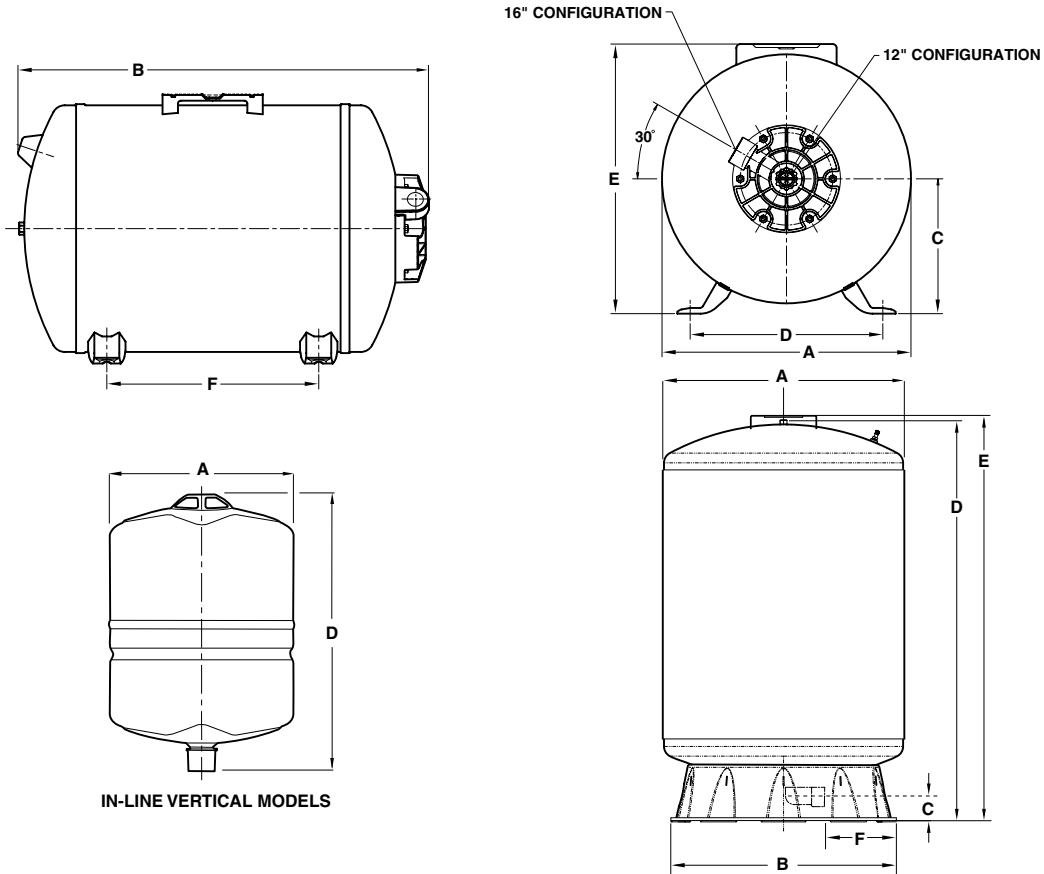
**Figure 1**



**Figure 2**

# PRO-SOURCE® Steel Tanks

## OUTLINE DIMENSIONS



Catalog Number	Discharge NPT	A	B	C	D	E	F
<b>VERTICAL MODELS</b>							
PS6-S02	3/4"	12.0	-	-	16.1	-	-
PS19T-T02	1"	16.1	15.5	2.0	27.8	-	3.9
PS32-T03	1"	16.1	15.5	2.0	43.0	-	2.3
PS19S-T02	1"	20.1	15.5	2.0	-	21.5	2.3
PS35-T05	1"	20.1	15.5	2.0	33.0	-	2.3
PS50-T50	1-1/4"	24.1	22.7	2.5	33.2	-	5.5
PS62-T51	1-1/4"	24.1	22.7	2.5	40.1	-	5.5
PS85-T52	1-1/4"	24.1	22.7	2.5	51.5	-	5.5
PS119-TR50	1-1/4"	24.1	22.7	2.5	68.6	-	5.5
<b>IN-LINE VERTICAL MODELS</b>							
PS2-S01	3/4"	18.4	-	-	12.6	-	-
PS5-S02	3/4"	10.6	-	-	16.2	-	-
<b>HORIZONTAL MODELS</b>							
PS6H	3/4"	12.1	16.9	6.9	10.0	13.3	6.1
PS19H	1"	16.2	26.6	8.7	12.5	17.5	13.8

Dimensions (in inches) are for estimating purposes only.



US: 293 WRIGHT STREET, DELAVAN, WI 53115 WWW.STA-RITE.COM PH: 888-782-7483 ORDERS FAX: 800-426-9446

CANADA: 490 PINEBUSH ROAD, UNIT 4, CAMBRIDGE, ONTARIO N1T 0A5 PH: 800-363-7867 ORDERS FAX: 888-606-5484

Because we are continuously improving our products and services, Pentair reserves the right to change specifications without prior notice.