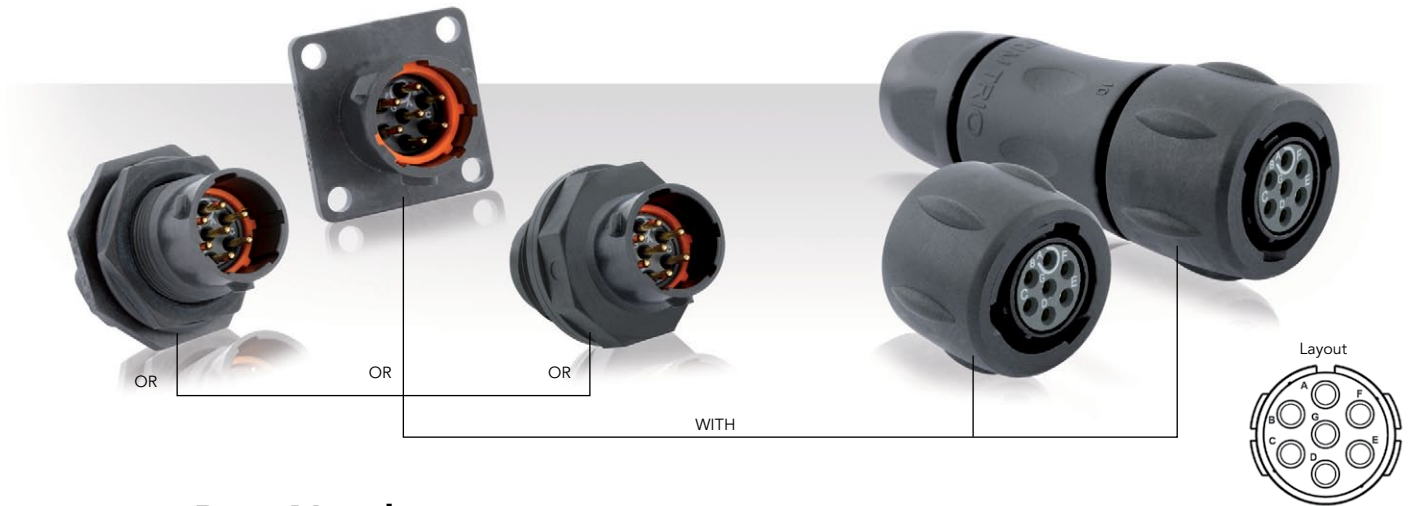


10E7/10D7 (Shell size 10, 7x#20)



Connector Part Numbers

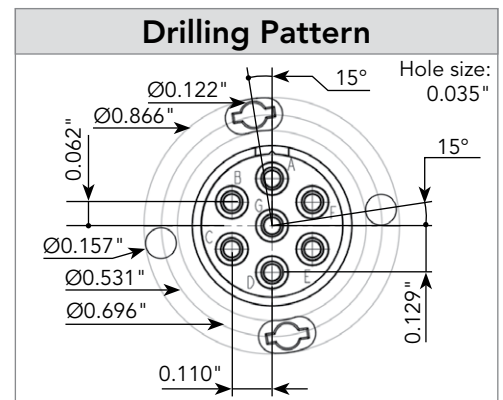
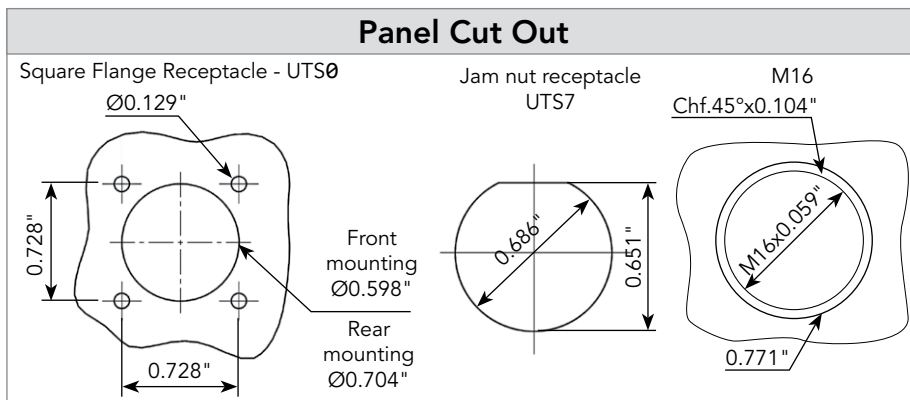
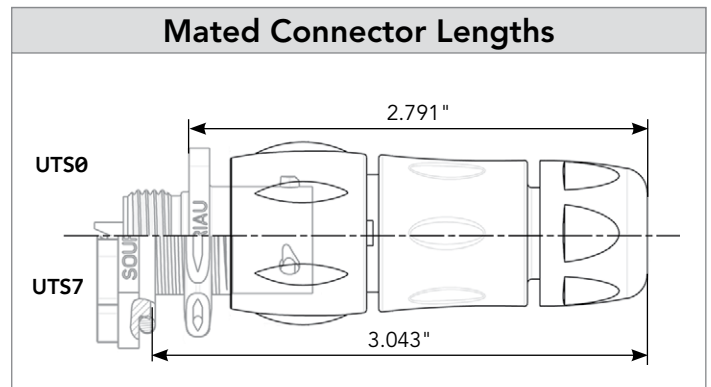
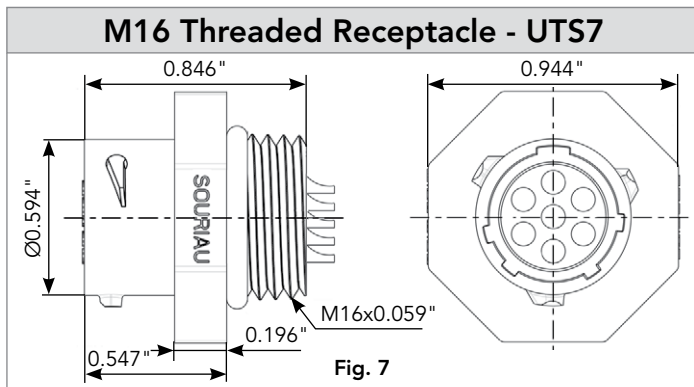
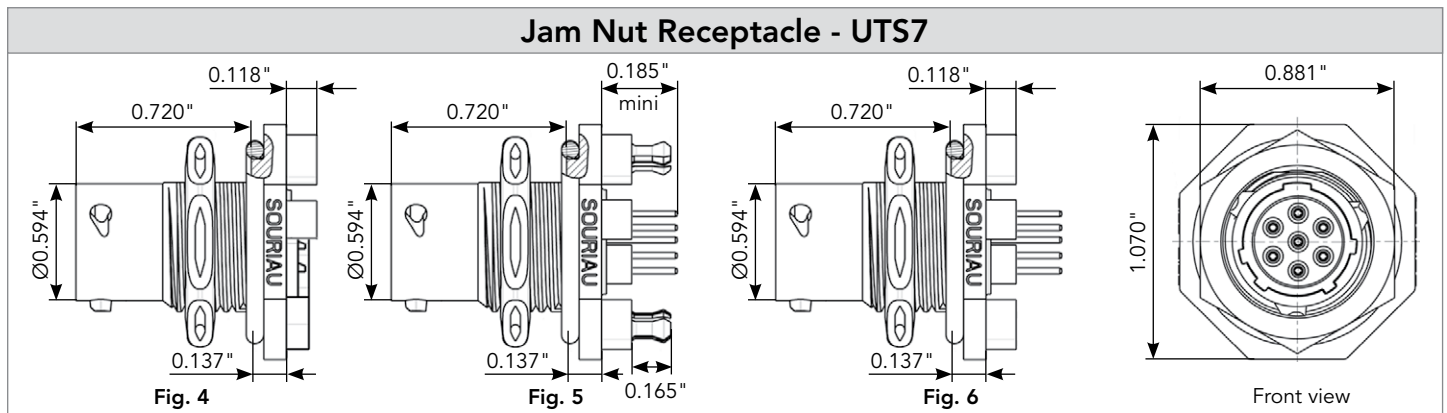
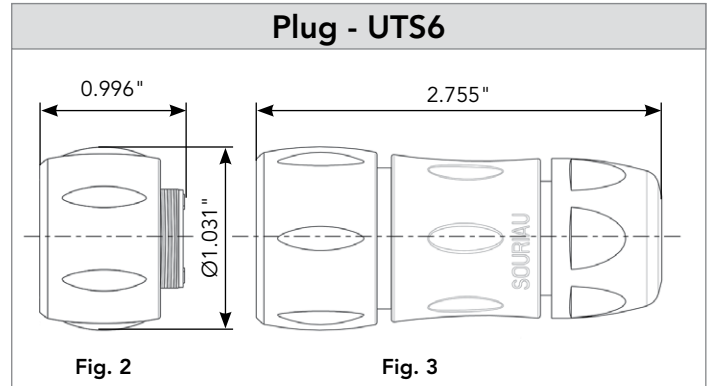
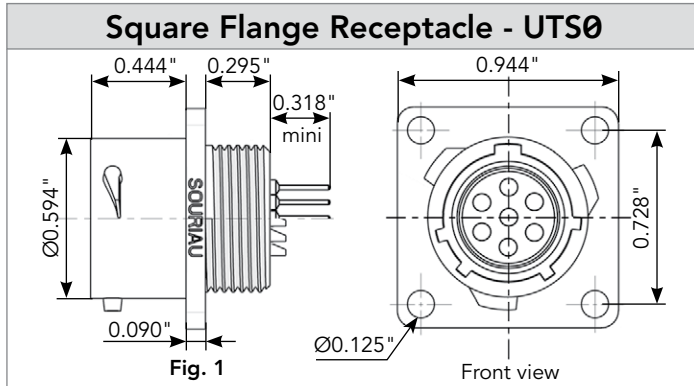
Contact type	Connector type	Backshell	Part number	
			Male insert	Female insert
Hand solder electrical contacts loaded see page 99	Square flange receptacle	Without (Fig. 1)	UTS010E7P	UTS010E7S
	Plug	Without (Fig. 2)	UTS610E7P	UTS610E7S
		Cable gland (Fig. 3)	UTS6JC10E7P	UTS6JC10E7S
	Jam nut receptacle	Without (Fig. 4)	UTS710E7P	UTS710E7S
	M16 threaded receptacle	Without (Fig. 7)	UTS710E7PM16	UTS710E7SM16
PCB contacts loaded see page 99	Square flange receptacle	Without (Fig. 1)	UTS010D7P	UTS010D7S
	Jam nut receptacle with stand off and hold down clips	Without (Fig. 5)	UTS710D7P32	UTS710D7S32
	Jam nut receptacle with stand off and without hold down clips	Without (Fig. 6)	UTS710D7P	UTS710D7S

Possibilities of discrimination/keying methods see page 208

Sealed unmated

10E7/10D7 (Shell size 10, 7x#20)

Dimensions



Note: all dimensions are in inches

10E7/10D7 (Shell size 10, 7x#20)

Accessories and Tooling

Jam Nut or M16 Threaded Receptacle Sealing Caps



IP68/69K

Part number

UTS10DCG



IP68/69K

Metal terminal

Part number

UTS10DCGR

Plug Sealing Cap



IP68/69K

Part number

UTS610DCG

Square Flange Sealing Cap



IP68/69K

Metal terminal

Part number

UTS10DCGE

Plastic Protective Cap



Part numbers

Receptacle cap

85005586A

Plug cap

85005595

Gasket



IP68/69K

Part numbers

UTFD12B

Color Coding Rings

G for Green



Y for Yellow



R for Red

Part numbers

Receptacles

Plugs

UTS710CCRR

UTS610CCRR

UTS710CCRY

UTS610CCRY

UTS710CCRG

UTS610CCRG

10E7/10D7 (Shell size 10, 7x#20)

Contacts

#20	Contact type	Plating	Cable acceptance (AWG)	Wire stripping length
Hand solder	Loaded in the connector	Min 0.4μ gold over 0.8μ Ni	22 to 18	0.196"
PCB	Machined, loaded in the connector ⁽¹⁾	Min 0.4μ gold over 0.8μ Ni	-	-

(1): For dimensions see page 169

Electrical Characteristics

UL
6A 250V UL94 HB

CSA
6A 250V UL94 HB

IEC
7A 50V 1.5kV 3

