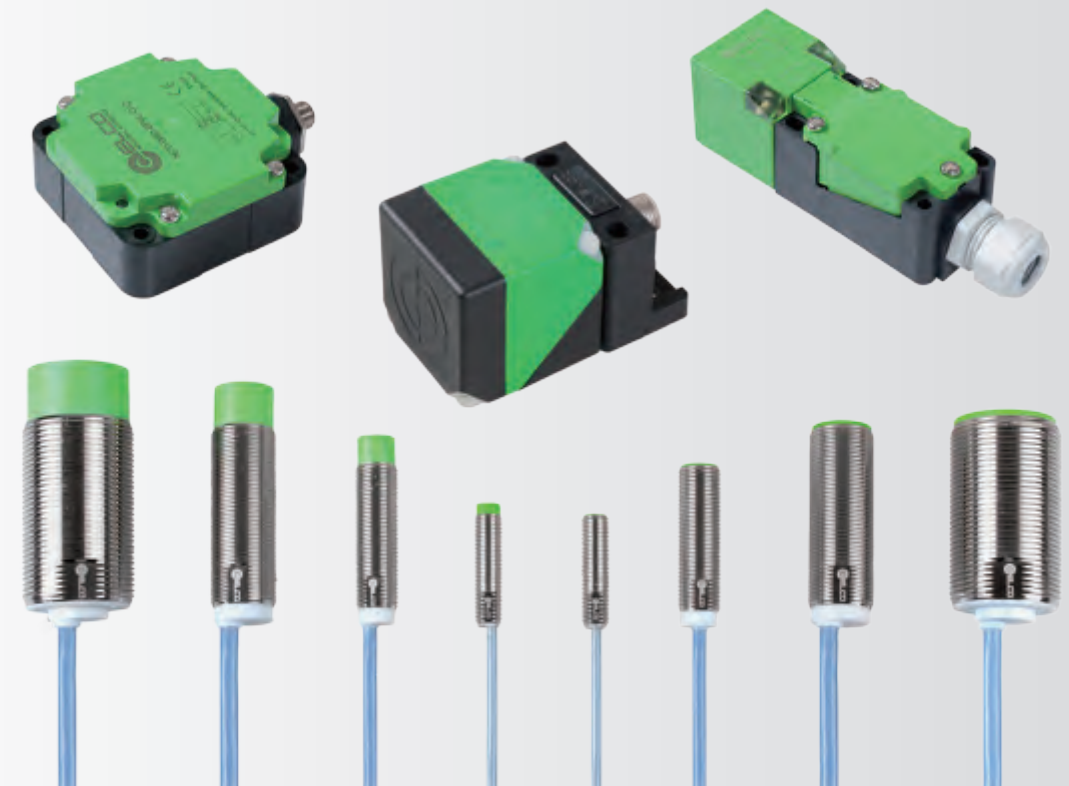
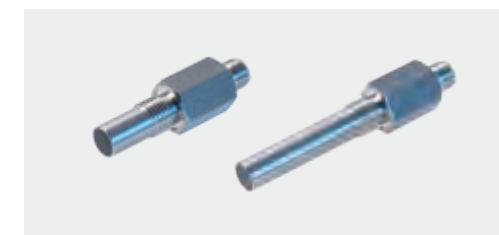


Inductive Sensors



INDUCTIVE SENSORS



ELCO Industrie Automation GmbH
Benzstrasse 7
71720 Oberstenfeld
Deutschland
E-Mail: info@elco-automation.de



www.elco-automation.de

ELCO (TIANJIN) ELECTRONICS CO., LTD.
No. 12, 4th XEDA Branch Road
Xiqing Economic Development Area
Tianjin 300385, P. R. China
E-Mail: info@elco.cn



www.elco-holding.com.cn

COMPANY PROFILE

Company Profile






Elco (Tianjin) Electronics Co., Ltd. is a leading enterprise in China's industrial automation. It was established in Tianjin in 2003, and its sales and service network covers the whole country. As a provider of local industrial automation products and a supplier of intelligent manufacturing solutions in China, Elco has occupied a leading position in automobiles, auto parts, construction machinery, robots, food and pharmaceutical, printing and packaging, textile machinery, logistics equipment, electronics manufacturing and many other fields.








ELCO provides the full range of services from system layer, control layer, network layer to execution layer to the implementation of overall planning of intelligent factory. The products and solutions are not limited to the ElcoCloud platform and include MES (Manufacturing Execution System), Industrial Fieldbus, Industrial Ethernet, Industrial wireless communication, IoT gateway chip, automated production lines consisting of robotics and intelligent equipments, integration of automatic & electric controlling system, intelligent logistics warehouse system, IoT integrated development solutions and services etc. This leads to a truly intelligent manufacturing and improves the productivity, efficiency and flexibility.





Over several years, ELCO provides comprehensive support for the development of China's manufacturing industry through innovative technology, excellent products and solutions. To meet the customers needs all over the world and to allow global availability and competitive prices, Elco has established a new branch in Germany: Elco Industrie Automation in Oberstenfeld.



Contents

Inductive Sensor	Page
Introduction	5
Type Code	7
	
Metal Barrel-H3/H4	1-001
Metal Barrel-M4/M5	1-002
Metal Barrel-H6.5	1-003
Metal Barrel-H6.5S(Short type)	1-005
Metal Barrel-H6.5E(Long type)	1-007
Metal Barrel-KH08SS	1-009
Metal Barrel-KM08SS	1-011
Metal Barrel-M12SS	1-013
	
Metal Barrel-M08	2-001
Metal Barrel-M12	2-005
Metal Barrel-M12S (Short)	2-011
Metal Barrel-M12E (Long)	2-015
Metal Barrel-M18	2-021
Metal Barrel-M18S(Short)	2-026
Metal Barrel-M18E(Extended)	2-029
Metal Barrel-M30	2-034
Metal Barrel-M30S(Short)	2-039
	
Long-Sensing Metal Barrel-M8	3-001
Long-Sensing Metal Barrel-M12	3-003
Long-Sensing Metal Barrel-M18	3-008
Long-Sensing Metal Barrel-M30	3-013
	
Metal Barrel-G-series	4-001
Metal Barrel-G3-series	4-017
Metal Barrel-ZG-series	4-027
	
Plastic Rectangular-Q8	5-001
Plastic Rectangular-Q12	5-004
Plastic Rectangular-Q18	5-006
Plastic Rectangular-Q25	5-009
Plastic Rectangular-Q30	5-011

Inductive Sensor	Page
Plastic Rectangular-W40	5-013
Plastic Rectangular-WL40	5-019
Plastic Rectangular-W80	5-025
	
All-Metal Inductive Sensor-M08	6-001
All-Metal Inductive Sensor-M12	6-003
All-Metal Inductive Sensor-M18	6-006
All-Metal Inductive Sensor-M30	6-009
	
High Pressure Resistant	7-001
	
NAMUR	8-001
	
Wide Temperature Range	9-001
	
Temperature Extension - High Temperature-M08	10-001
Temperature Extension - High Temperature-M12	10-005
Temperature Extension - High Temperature-M18	10-008
Temperature Extension - High Temperature-M30	10-011
	
Temperature Extension-Low Temperature-M08	11-001
Temperature Extension-Low Temperature-M12	11-003
Temperature Extension-Low Temperature-M18	11-006
Temperature Extension-Low Temperature-M30	11-009
Temperature Extension-Low Temperature-W40	11-012
Temperature Extension-Low Temperature-WL40	11-015
Temperature Extension-Low Temperature-W80	11-018
	
Magnetic Field Immune Metal Barrel-M12	12-001
Magnetic Field Immune Metal Barrel-M18	12-002
Magnetic Field Immune Metal Barrel-M30	12-003

Inductive Sensor	Page
	
PTFE-Coated	13-001
	
Analog Output Metal Barrel-M12	14-001
Analog Output Metal Barrel-M18	14-002
Analog Output Metal Barrel-M30	14-003
Analog Output Metal Barrel-W40	14-004
	
Inductive Power Clamp Sensor - Plastic Rectangular	15-001
	
Connector	225
Mounting Accessories	229
Mounting Jacket	230
Wiring Diagram	231

Inductive sensor

When the metal conductive objects close to the magnetic field and reach the induction area, high-frequency alternating magnetic field generated by a LC oscillation circuit, which is composed of a coil wound on a ferrite, through the eddy current effect generated by internal of metal objects to achieve non-contact detection.

Standards

All ELCO's inductive proximity sensors conform to IEC 60947-5-2.

Housing material

The housing material of sensor including nickel plated copper, also stainless steel and plastic with resistance of compression and temperature rapid change. Most of square sensor is plastic housing. These materials can also be used to produce square sensors with adjustable sensing surface or compact (small square) sensors. Such sensors can be used in the occasions of limited installation space or required large detection range.

Application

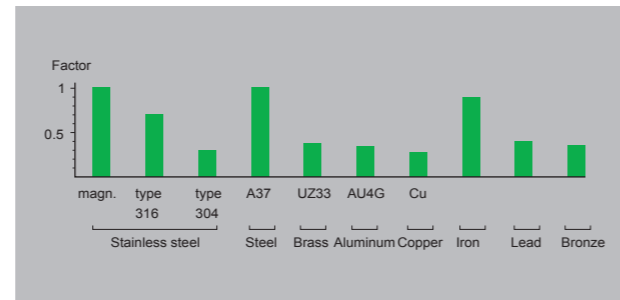
Inductive proximity switch is a low cost method for non-contact detection of metal objects, which is widely used in the following sectors, such as:

- Automotive Industry
- Metallurgical sector
- Machine tool sector
- Robot industry
- Conveyor system
- Paper and printing industry
- Mechanical Engineering

Fastening nut	M8	M12	M18	M30
Fastening torque Nm	Brass 2	Brass 10	Brass 30	Brass 40
		Plastic 1	Plastic 3	Plastic 5
	Stainless steel 5	Stainless steel 25	Stainless steel 50	Stainless steel 100

Attenuation coefficient

When detect different materials with inductive sensors, there will be different detection distance even using the same product, please refer to following Figure.



Factor=1

ELCO provides a series of all-metal inductive sensors with the same detection range for all metals including copper, aluminum and iron. (See Page 197)

Special inductive sensor

ELCO can provide special sensor for special environment to adapt to the field environment, avoid malfunction occurred and extend the service life.

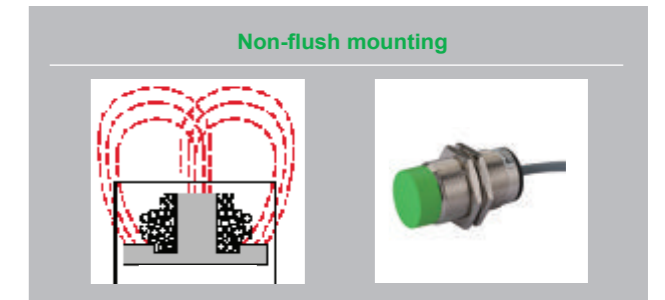
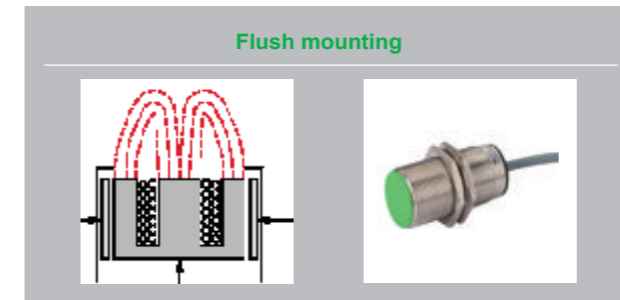
General parameters

- Shock resistance 30G, 11 ms
- Anti-vibration 55 Hz, 1 mm
- Voltage drop
- 2-wire non-polarity DC transistor output proximity switch < 5V
- 2-wire polarity DC transistor output proximity switch < 5V
- 2-wire AC / DC proximity switch < 6V
- 3-wire DC transistor output proximity switch < 1.8 V
- 4-wire DC transistor output proximity switch < 1.8 V

Flush mounting and non-flush mounting

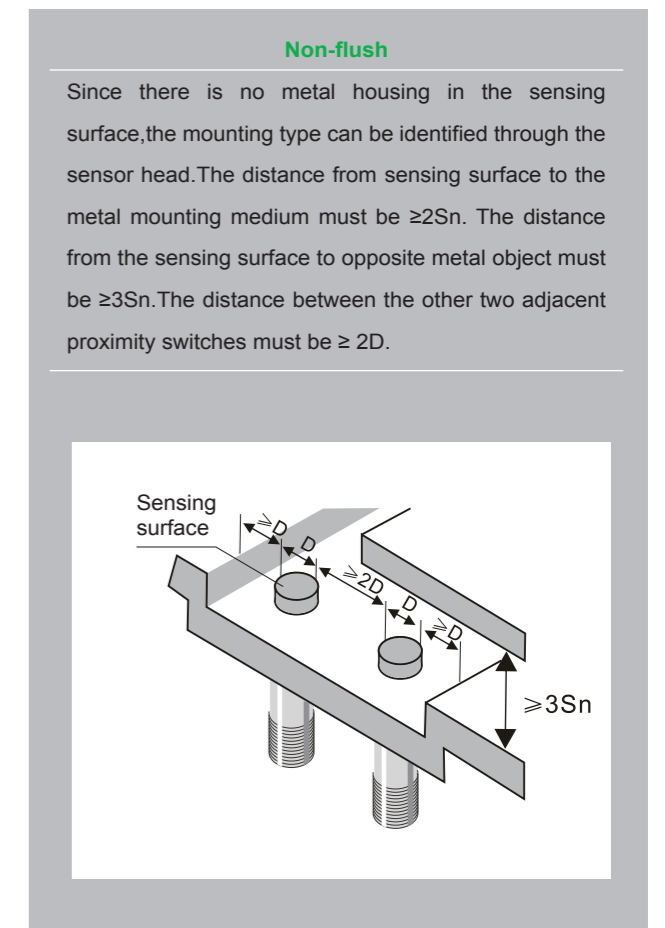
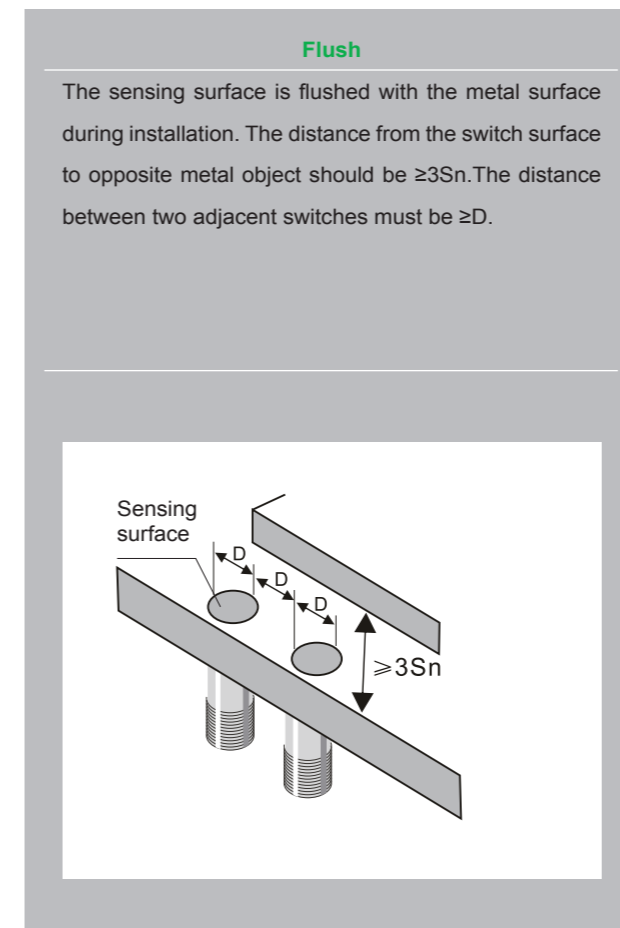
Flush mounting, the sensing surface and the base surface are flushed to protect the detection surface of sensor.

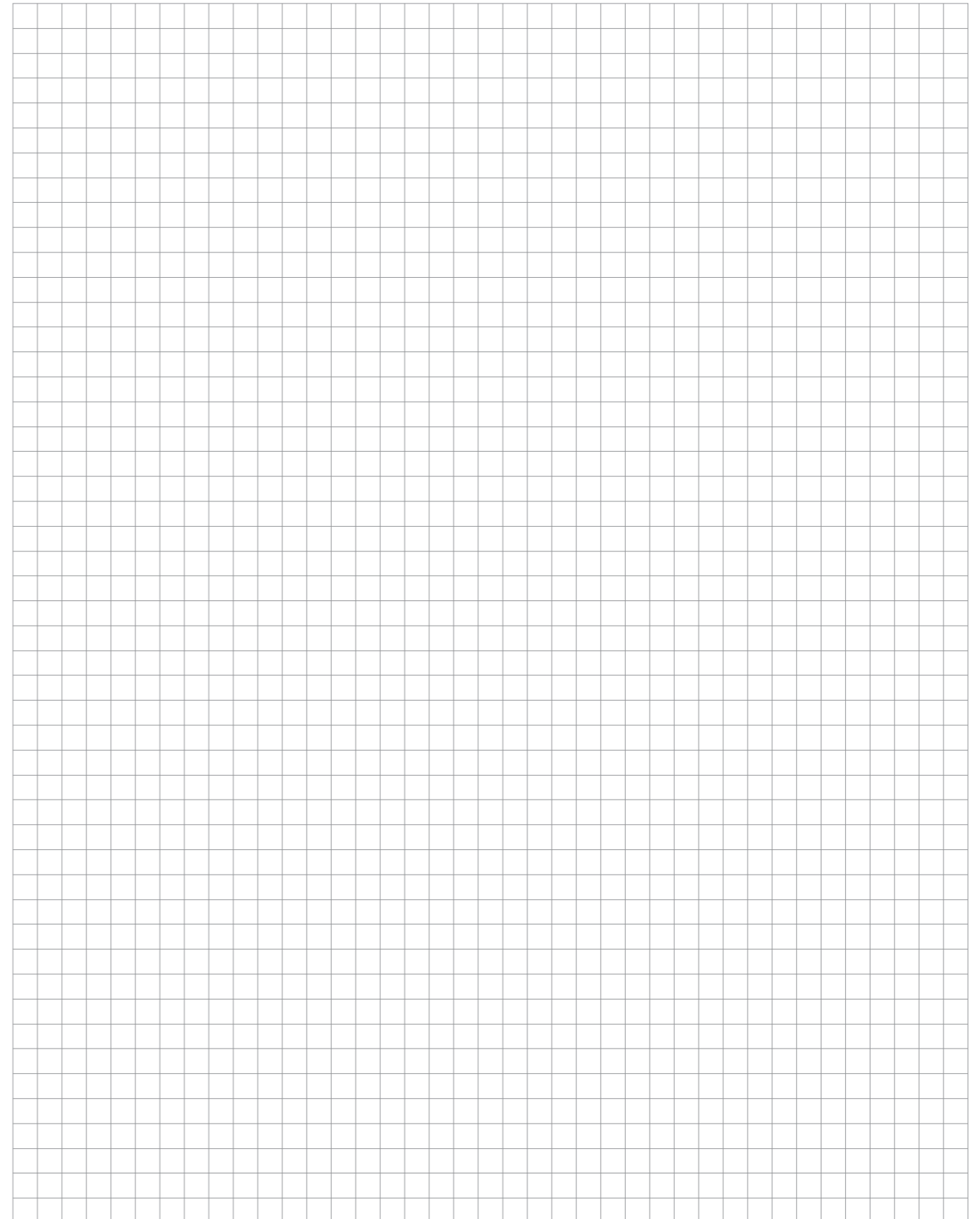
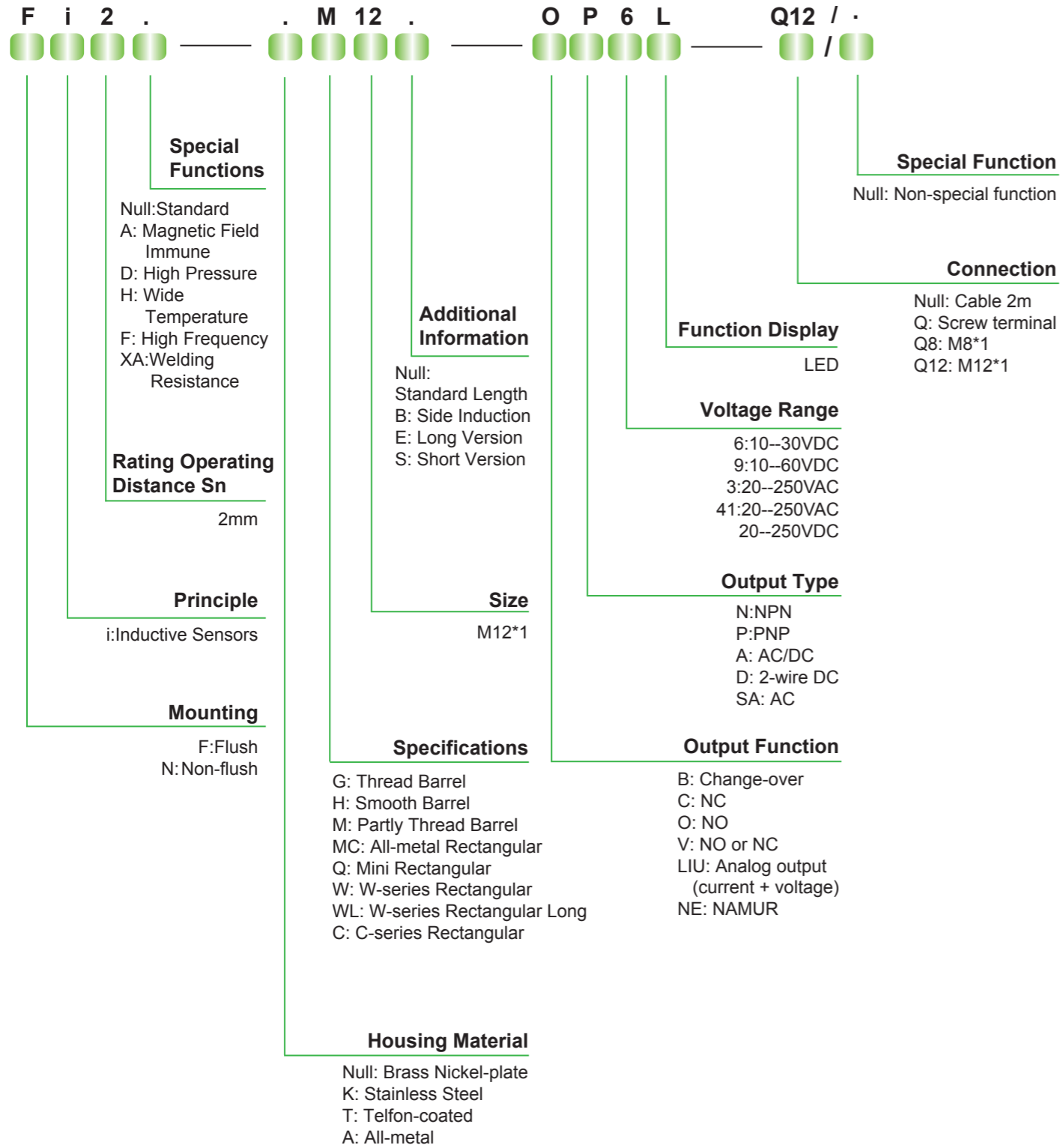
Non-flush mounting, the sensing surface is higher than the base surface. Generally, the non-flushing sensor has larger detection range.



Installation space requirements

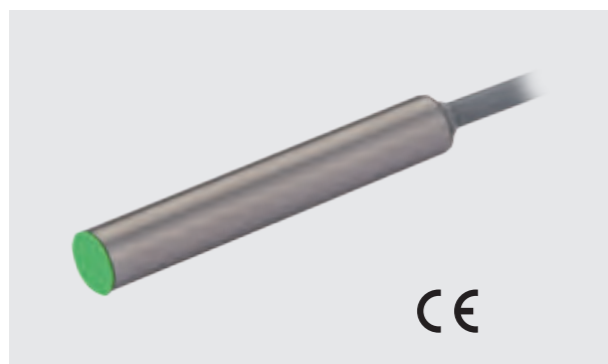
To avoid the interference of the surrounding metal objects or other sensors during installation, there shall have the minimum installation space.





<< Inductive Sensor

Metal Barrel-H3/H4



Description:

Stainless steel housing, smooth barrel, DC 3-wire output, IP67 protection class, LED indicator, compact size.

See the wiring diagram on page 231-233 for your reference.

Technical Data:

Type	Rated Operating Distance Sn	Mounting	Output	Voltage Range U _B	Rated Current	Switching Frequency	Ambient Temperature	Connection	Fig
Fi0.8-KH03-OP6L	0.8mm	Flush	PNP NO	10...30VDC	≤100mA	2500Hz	-25...70°C	2m cable	Fig.1
Fi0.8-KH03-ON6L	0.8mm	Flush	NPN NO	10...30VDC	≤100mA	2500Hz	-25...70°C	2m cable	Fig.1
Fi0.8-KH03-CP6L	0.8mm	Flush	PNP NC	10...30VDC	≤100mA	2500Hz	-25...70°C	2m cable	Fig.1
Fi0.8-KH03-CN6L	0.8mm	Flush	NPN NC	10...30VDC	≤100mA	2500Hz	-25...70°C	2m cable	Fig.1
Fi1-KH04-OP6L	1mm	Flush	PNP NO	10...30VDC	≤100mA	2500Hz	-25...70°C	2m cable	Fig.2
Fi1-KH04-ON6L	1mm	Flush	NPN NO	10...30VDC	≤100mA	2500Hz	-25...70°C	2m cable	Fig.2
Fi1-KH04-CP6L	1mm	Flush	PNP NC	10...30VDC	≤100mA	2500Hz	-25...70°C	2m cable	Fig.2
Fi1-KH04-CN6L	1mm	Flush	NPN NC	10...30VDC	≤100mA	2500Hz	-25...70°C	2m cable	Fig.2

Dimensions:

Fig.1

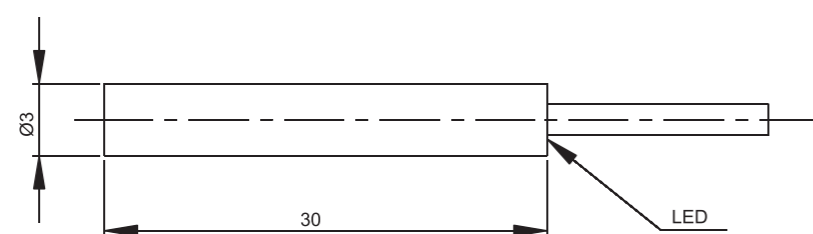
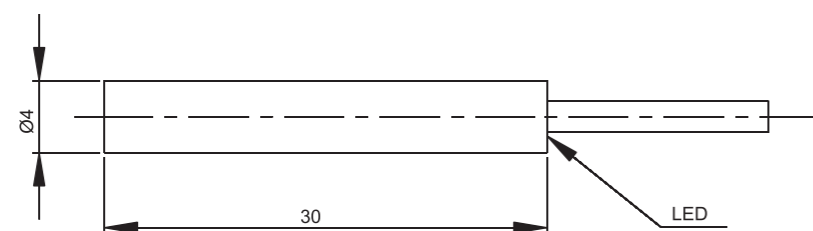


Fig.2



Metal Barrel-M4/M5



Description:

Stainless steel housing, threaded barrel, DC 3-wire output, IP67 protection class, LED indicator, compact size.

See the wiring diagram on page 231-233 for your reference.

Technical Data:

Type	Rated Operating Distance Sn	Mounting	Output	Voltage Range U _B	Rated Current	Switching Frequency	Ambient Temperature	Connection	Fig
Fi0.8-KM04-OP6L	0.8mm	Flush	PNP NO	10...30VDC	≤100mA	2500Hz	-25...70°C	2m cable	Fig.1
Fi0.8-KM04-ON6L	0.8mm	Flush	NPN NO	10...30VDC	≤100mA	2500Hz	-25...70°C	2m cable	Fig.1
Fi0.8-KM04-CP6L	0.8mm	Flush	PNP NC	10...30VDC	≤100mA	2500Hz	-25...70°C	2m cable	Fig.1
Fi0.8-KM04-CN6L	0.8mm	Flush	NPN NC	10...30VDC	≤100mA	2500Hz	-25...70°C	2m cable	Fig.1
Fi1-KM05-OP6L	1mm	Flush	PNP NO	10...30VDC	≤100mA	1000Hz	-25...70°C	2m cable	Fig.2
Fi1-KM05-ON6L	1mm	Flush	NPN NO	10...30VDC	≤100mA	1000Hz	-25...70°C	2m cable	Fig.2
Fi1-KM05-CP6L	1mm	Flush	PNP NC	10...30VDC	≤100mA	1000Hz	-25...70°C	2m cable	Fig.2
Fi1-KM05-CN6L	1mm	Flush	NPN NC	10...30VDC	≤100mA	1000Hz	-25...70°C	2m cable	Fig.2
Fi1-KM05-OP6L-Q8	1mm	Flush	PNP NO	10...30VDC	≤100mA	1000Hz	-25...70°C	M8 Connector	Fig.3
Fi1-KM05-ON6L-Q8	1mm	Flush	NPN NO	10...30VDC	≤100mA	1000Hz	-25...70°C	M8 Connector	Fig.3
Fi1-KM05-CP6L-Q8	1mm	Flush	PNP NC	10...30VDC	≤100mA	1000Hz	-25...70°C	M8 Connector	Fig.3
Fi1-KM05-CN6L-Q8	1mm	Flush	NPN NC	10...30VDC	≤100mA	1000Hz	-25...70°C	M8 Connector	Fig.3

Dimensions:

Fig.1

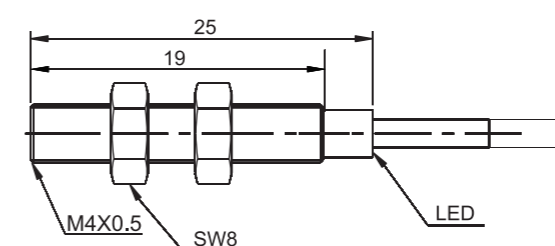


Fig.2

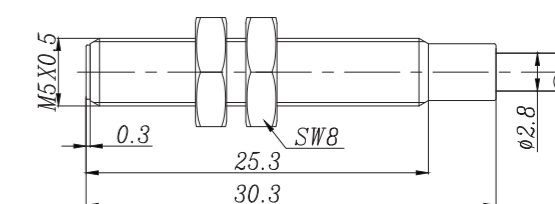
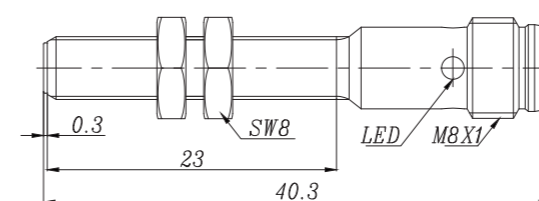
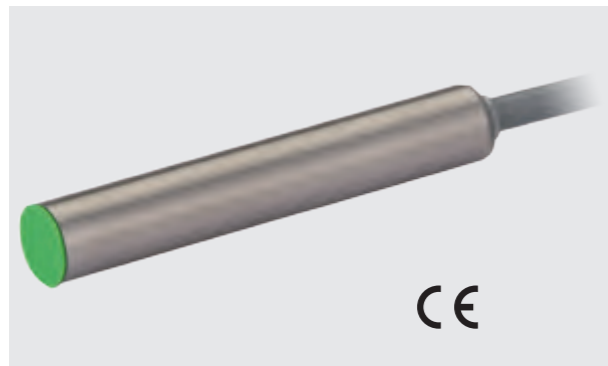


Fig.3





Description:

Stainless steel housing, smooth barrel, DC 2-wire output, IP67 protection class, LED indicator.

See the wiring diagram on page 231-233 for your reference.

Technical Data:

Type	Rated Operating Distance S_n	Mounting	Output	Voltage Range U_B	Rated Current	Switching Frequency	Ambient Temperature	Connection	Fig
Fi1.5-KH6.5-OD6L	1.5mm	Flush	DC NO	10...30VDC	≤100mA	1000Hz	-25...70°C	2m cable	Fig.1
Fi1.5-KH6.5-CD6L	1.5mm	Flush	DC NC	10...30VDC	≤100mA	1000Hz	-25...70°C	2m cable	Fig.1
Ni2-KH6.5-OD6L	2mm	Non-flush	DC NO	10...30VDC	≤100mA	1000Hz	-25...70°C	2m cable	Fig.2
Ni2-KH6.5-CD6L	2mm	Non-flush	DC NC	10...30VDC	≤100mA	1000Hz	-25...70°C	2m cable	Fig.2
Fi1.5-KH6.5-OD6L-Q8	1.5mm	Flush	DC NO	10...30VDC	≤100mA	1000Hz	-25...70°C	M8 Connector	Fig.3
Fi1.5-KH6.5-CD6L-Q8	1.5mm	Flush	DC NC	10...30VDC	≤100mA	1000Hz	-25...70°C	M8 Connector	Fig.3
Ni2-KH6.5-OD6L-Q8	2mm	Non-flush	DC NO	10...30VDC	≤100mA	1000Hz	-25...70°C	M8 Connector	Fig.4
Ni2-KH6.5-CD6L-Q8	2mm	Non-flush	DC NC	10...30VDC	≤100mA	1000Hz	-25...70°C	M8 Connector	Fig.4

Dimensions:

Fig.1

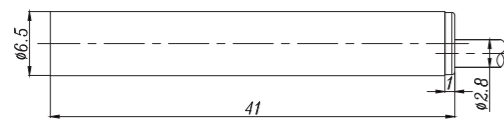


Fig.2

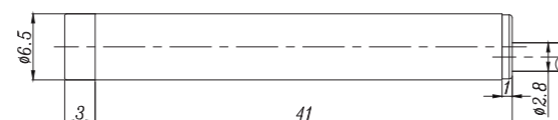


Fig.3

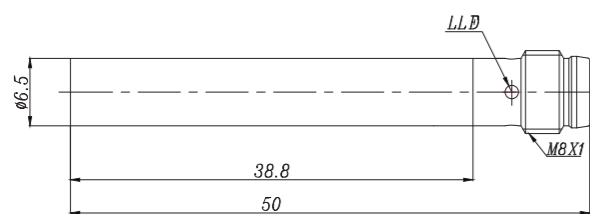
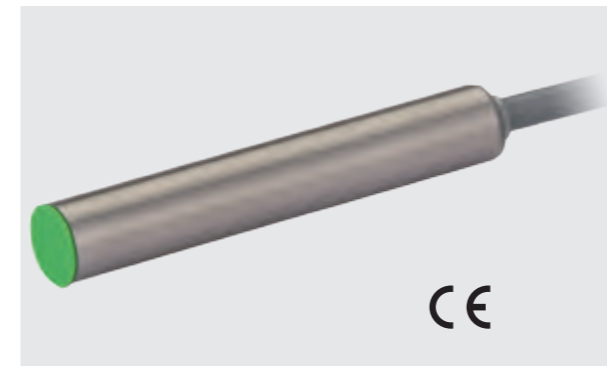
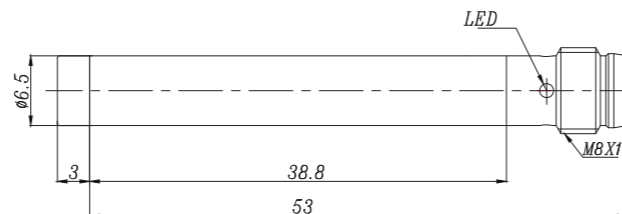


Fig.4



Description:

Stainless steel housing, smooth barrel, DC 3-wire output, IP67 protection class, LED indicator.

See the wiring diagram on page 231-233 for your reference.

Technical Data:

Type	Rated Operating Distance S_n	Mounting	Output	Voltage Range U_B	Rated Current	Switching Frequency	Ambient Temperature	Connection	Fig
Fi1.5-KH6.5-OP6L	1.5mm	Flush	PNP NO	10...30VDC	≤100mA	1000Hz	-25...70°C	2m cable	Fig.1
Fi1.5-KH6.5-ON6L	1.5mm	Flush	NPN NO	10...30VDC	≤100mA	1000Hz	-25...70°C	2m cable	Fig.1
Fi1.5-KH6.5-CP6L	1.5mm	Flush	PNP NC	10...30VDC	≤100mA	1000Hz	-25...70°C	2m cable	Fig.1
Fi1.5-KH6.5-CN6L	1.5mm	Flush	NPN NC	10...30VDC	≤100mA	1000Hz	-25...70°C	2m cable	Fig.1
Ni2-KH6.5-OP6L	2mm	Non-flush	PNP NO	10...30VDC	≤100mA	1000Hz	-25...70°C	2m cable	Fig.2
Ni2-KH6.5-ON6L	2mm	Non-flush	NPN NO	10...30VDC	≤100mA	1000Hz	-25...70°C	2m cable	Fig.2
Ni2-KH6.5-CP6L	2mm	Non-flush	PNP NC	10...30VDC	≤100mA	1000Hz	-25...70°C	2m cable	Fig.2
Ni2-KH6.5-CN6L	2mm	Non-flush	NPN NC	10...30VDC	≤100mA	1000Hz	-25...70°C	2m cable	Fig.2
Fi1.5-KH6.5-OP6L-Q8	1.5mm	Flush	PNP NO	10...30VDC	≤100mA	1000Hz	-25...70°C	M8 Connector	Fig.3
Fi1.5-KH6.5-ON6L-Q8	1.5mm	Flush	NPN NO	10...30VDC	≤100mA	1000Hz	-25...70°C	M8 Connector	Fig.3
Fi1.5-KH6.5-CP6L-Q8	1.5mm	Flush	PNP NC	10...30VDC	≤100mA	1000Hz	-25...70°C	M8 Connector	Fig.3
Fi1.5-KH6.5-CN6L-Q8	1.5mm	Flush	NPN NC	10...30VDC	≤100mA	1000Hz	-25...70°C	M8 Connector	Fig.3
Ni2-KH6.5-OP6L-Q8	2mm	Non-flush	PNP NO	10...30VDC	≤100mA	1000Hz	-25...70°C	M8 Connector	Fig.4
Ni2-KH6.5-ON6L-Q8	2mm	Non-flush	NPN NO	10...30VDC	≤100mA	1000Hz	-25...70°C	M8 Connector	Fig.4
Ni2-KH6.5-CP6L-Q8	2mm	Non-flush	PNP NC	10...30VDC	≤100mA	1000Hz	-25...70°C	M8 Connector	Fig.4
Ni2-KH6.5-CN6L-Q8	2mm	Non-flush	NPN NC	10...30VDC	≤100mA	1000Hz	-25...70°C	M8 Connector	Fig.4

Dimensions:

Fig.1

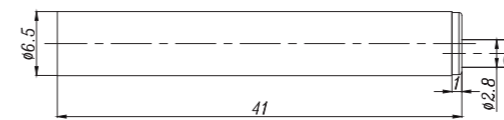


Fig.2

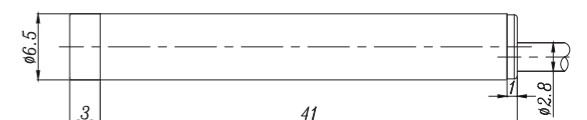


Fig.3

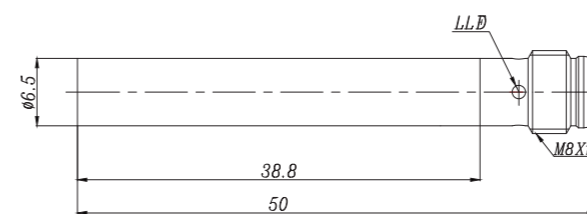
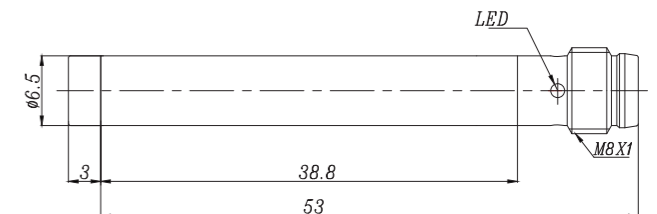


Fig.4



<< Inductive Sensor

Metal Barrel-H6.5S(Short type)

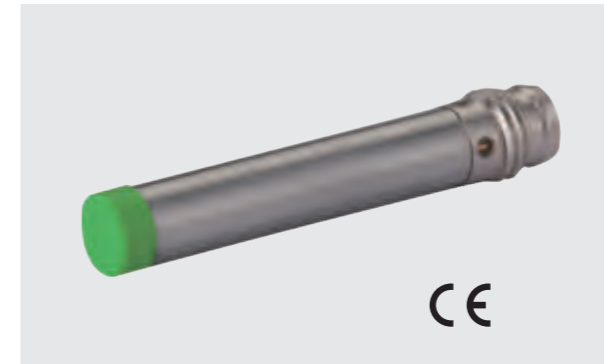


Description:

Stainless steel housing, smooth barrel, DC 2-wire output, IP67 protection class, LED indicator, compact size.

See the wiring diagram on page 231-233 for your reference.

Metal Barrel-H6.5S(Short type)



Description:

Stainless steel housing, smooth barrel, DC 3-wire output, IP67 protection class, LED indicator, compact size.

See the wiring diagram on page 231-233 for your reference.

Technical Data:

Type	Rated Operating Distance Sn	Mounting	Output	Voltage Range U _s	Rated Current	Switching Frequency	Ambient Temperature	Connection	Fig
Fi1.5-KH6.5S-OD6L	1.5mm	Flush	DC NO	10...30VDC	≤100mA	1000Hz	-25...70°C	2m cable	Fig.1
Fi1.5-KH6.5S-CD6L	1.5mm	Flush	DC NC	10...30VDC	≤100mA	1000Hz	-25...70°C	2m cable	Fig.1
Ni2-KH6.5S-OD6L	2mm	Non-flush	DC NO	10...30VDC	≤100mA	1000Hz	-25...70°C	2m cable	Fig.2
Ni2-KH6.5S-CD6L	2mm	Non-flush	DC NC	10...30VDC	≤100mA	1000Hz	-25...70°C	2m cable	Fig.2
Fi1.5-KH6.5S-OD6L-Q8	1.5mm	Flush	DC NO	10...30VDC	≤100mA	1000Hz	-25...70°C	M8 Connector	Fig.3
Fi1.5-KH6.5S-CD6L-Q8	1.5mm	Flush	DC NC	10...30VDC	≤100mA	1000Hz	-25...70°C	M8 Connector	Fig.3
Ni2-KH6.5S-OD6L-Q8	2mm	Non-flush	DC NO	10...30VDC	≤100mA	1000Hz	-25...70°C	M8 Connector	Fig.4
Ni2-KH6.5S-CD6L-Q8	2mm	Non-flush	DC NC	10...30VDC	≤100mA	1000Hz	-25...70°C	M8 Connector	Fig.4

Technical Data:

Type	Rated Operating Distance Sn	Mounting	Output	Voltage Range U _s	Rated Current	Switching Frequency	Ambient Temperature	Connection	Fig
Fi1.5-KH6.5S-OP6L	1.5mm	Flush	PNP NO	10...30VDC	≤200mA	1000Hz	-25...70°C	2m cable	Fig.1
Fi1.5-KH6.5S-ON6L	1.5mm	Flush	NPN NO	10...30VDC	≤200mA	1000Hz	-25...70°C	2m cable	Fig.1
Fi1.5-KH6.5S-CP6L	1.5mm	Flush	PNP NC	10...30VDC	≤200mA	1000Hz	-25...70°C	2m cable	Fig.1
Fi1.5-KH6.5S-CN6L	1.5mm	Flush	NPN NC	10...30VDC	≤200mA	1000Hz	-25...70°C	2m cable	Fig.1
Ni2-KH6.5S-OP6L	2mm	Non-flush	PNP NO	10...30VDC	≤200mA	1000Hz	-25...70°C	2m cable	Fig.2
Ni2-KH6.5S-ON6L	2mm	Non-flush	NPN NO	10...30VDC	≤200mA	1000Hz	-25...70°C	2m cable	Fig.2
Ni2-KH6.5S-CP6L	2mm	Non-flush	PNP NC	10...30VDC	≤200mA	1000Hz	-25...70°C	2m cable	Fig.2
Ni2-KH6.5S-CN6L	2mm	Non-flush	NPN NC	10...30VDC	≤200mA	1000Hz	-25...70°C	2m cable	Fig.2
Fi1.5-KH6.5S-OP6L-Q8	1.5mm	Flush	PNP NO	10...30VDC	≤200mA	1000Hz	-25...70°C	M8 Connector	Fig.3
Fi1.5-KH6.5S-ON6L-Q8	1.5mm	Flush	NPN NO	10...30VDC	≤200mA	1000Hz	-25...70°C	M8 Connector	Fig.3
Fi1.5-KH6.5S-CP6L-Q8	1.5mm	Flush	PNP NC	10...30VDC	≤200mA	1000Hz	-25...70°C	M8 Connector	Fig.3
Fi1.5-KH6.5S-CN6L-Q8	1.5mm	Flush	NPN NC	10...30VDC	≤200mA	1000Hz	-25...70°C	M8 Connector	Fig.3
Ni2-KH6.5S-OP6L-Q8	2mm	Non-flush	PNP NO	10...30VDC	≤200mA	1000Hz	-25...70°C	M8 Connector	Fig.4
Ni2-KH6.5S-ON6L-Q8	2mm	Non-flush	NPN NO	10...30VDC	≤200mA	1000Hz	-25...70°C	M8 Connector	Fig.4
Ni2-KH6.5S-CP6L-Q8	2mm	Non-flush	PNP NC	10...30VDC	≤200mA	1000Hz	-25...70°C	M8 Connector	Fig.4
Ni2-KH6.5S-CN6L-Q8	2mm	Non-flush	NPN NC	10...30VDC	≤200mA	1000Hz	-25...70°C	M8 Connector	Fig.4

Dimensions:

Fig.1

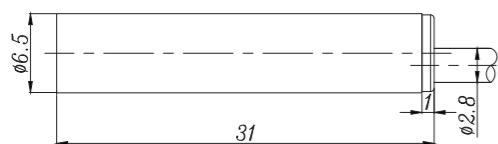


Fig.2

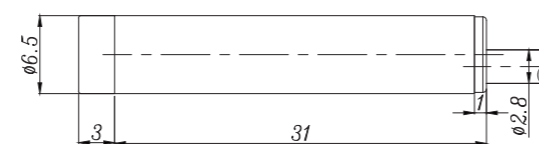


Fig.3

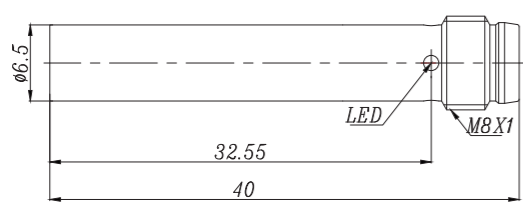
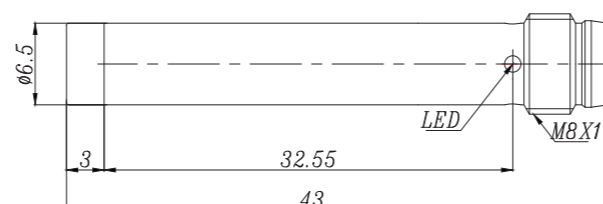


Fig.4



Dimensions:

Fig.1

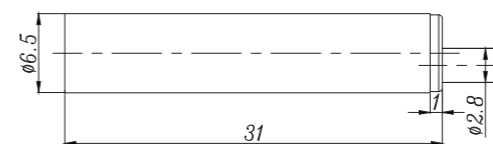


Fig.2

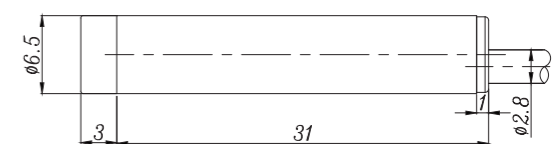


Fig.3

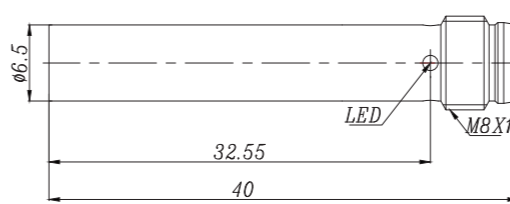
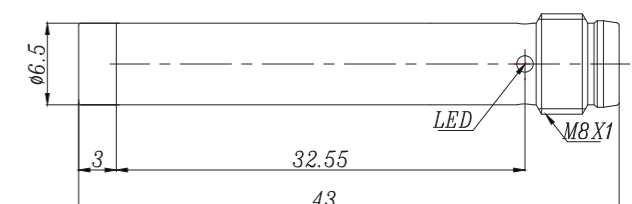
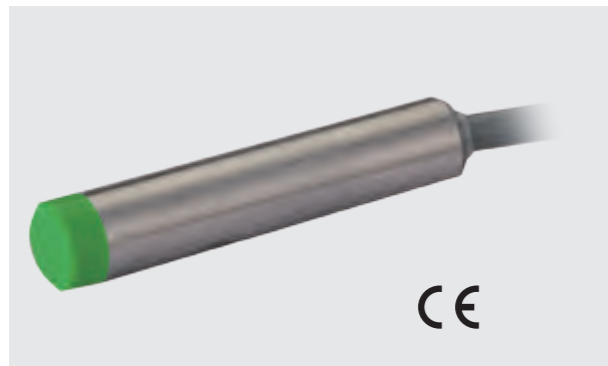


Fig.4



<< Inductive Sensor

Metal Barrel-H6.5E(Long type)



Description:

Stainless steel housing, smooth barrel, DC 2-wire output, IP67 protection class, LED indicator.

See the wiring diagram on page 231-233 for your reference.

Technical Data:

Type	Rated Operating Distance Sn	Mounting	Output	Voltage Range U _B	Rated Current	Switching Frequency	Ambient Temperature	Connection	Fig
Fi1.5-KH6.5E-OD6L	1.5mm	Flush	DC NO	10...30VDC	≤100mA	1000Hz	-25...70°C	2m cable	Fig.1
Fi1.5-KH6.5E-CD6L	1.5mm	Flush	DC NC	10...30VDC	≤100mA	1000Hz	-25...70°C	2m cable	Fig.1
Ni2-KH6.5E-OD6L	2mm	Non-flush	DC NO	10...30VDC	≤100mA	1000Hz	-25...70°C	2m cable	Fig.2
Ni2-KH6.5E-CD6L	2mm	Non-flush	DC NC	10...30VDC	≤100mA	1000Hz	-25...70°C	2m cable	Fig.2
Fi1.5-KH6.5E-OD6L-Q8	1.5mm	Flush	DC NO	10...30VDC	≤100mA	1000Hz	-25...70°C	M8 Connector	Fig.3
Fi1.5-KH6.5E-CD6L-Q8	1.5mm	Flush	DC NC	10...30VDC	≤100mA	1000Hz	-25...70°C	M8 Connector	Fig.3
Ni2-KH6.5E-OD6L-Q8	2mm	Non-flush	DC NO	10...30VDC	≤100mA	1000Hz	-25...70°C	M8 Connector	Fig.4
Ni2-KH6.5E-CD6L-Q8	2mm	Non-flush	DC NC	10...30VDC	≤100mA	1000Hz	-25...70°C	M8 Connector	Fig.4

Dimensions:

Fig.1

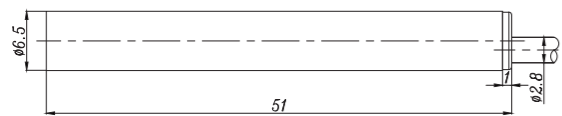


Fig.2

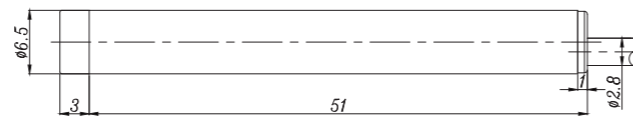


Fig.3

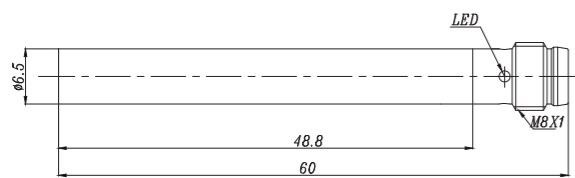
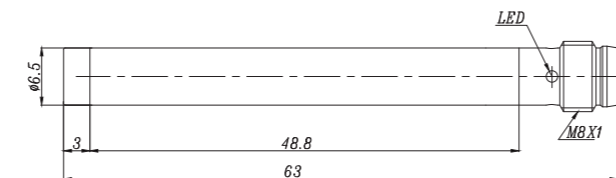
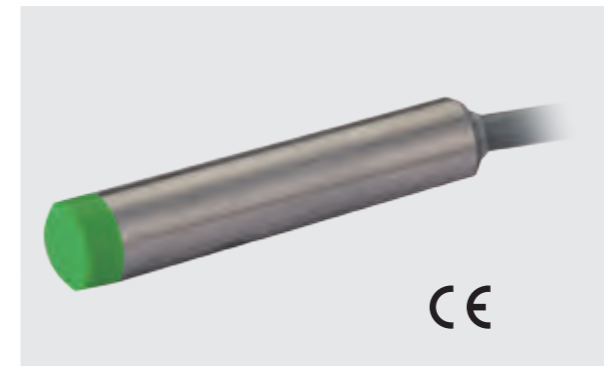


Fig.4



Metal Barrel-H6.5E(Long type)



Description:

Stainless steel housing, smooth barrel, DC 3-wire output, IP67 protection class, LED indicator.

See the wiring diagram on page 231-233 for your reference.

Technical Data:

Type	Rated Operating Distance Sn	Mounting	Output	Voltage Range U _B	Rated Current	Switching Frequency	Ambient Temperature	Connection	Fig
Fi1.5-KH6.5E-OP6L	1.5mm	Flush	PNP NO	10...30VDC	≤200mA	1000Hz	-25...70°C	2m cable	Fig.1
Fi1.5-KH6.5E-ON6L	1.5mm	Flush	NPN NO	10...30VDC	≤200mA	1000Hz	-25...70°C	2m cable	Fig.1
Fi1.5-KH6.5E-CP6L	1.5mm	Flush	PNP NC	10...30VDC	≤200mA	1000Hz	-25...70°C	2m cable	Fig.1
Fi1.5-KH6.5E-CN6L	1.5mm	Flush	NPN NC	10...30VDC	≤200mA	1000Hz	-25...70°C	2m cable	Fig.1
Ni2-KH6.5E-OP6L	2mm	Non-flush	PNP NO	10...30VDC	≤200mA	1000Hz	-25...70°C	2m cable	Fig.2
Ni2-KH6.5E-ON6L	2mm	Non-flush	NPN NO	10...30VDC	≤200mA	1000Hz	-25...70°C	2m cable	Fig.2
Ni2-KH6.5E-CP6L	2mm	Non-flush	PNP NC	10...30VDC	≤200mA	1000Hz	-25...70°C	2m cable	Fig.2
Ni2-KH6.5E-CN6L	2mm	Non-flush	NPN NC	10...30VDC	≤200mA	1000Hz	-25...70°C	2m cable	Fig.2
Fi1.5-KH6.5E-OP6L-Q8	1.5mm	Flush	PNP NO	10...30VDC	≤200mA	1000Hz	-25...70°C	M8 Connector	Fig.3
Fi1.5-KH6.5E-ON6L-Q8	1.5mm	Flush	NPN NO	10...30VDC	≤200mA	1000Hz	-25...70°C	M8 Connector	Fig.3
Fi1.5-KH6.5E-CP6L-Q8	1.5mm	Flush	PNP NC	10...30VDC	≤200mA	1000Hz	-25...70°C	M8 Connector	Fig.3
Fi1.5-KH6.5E-CN6L-Q8	1.5mm	Flush	NPN NC	10...30VDC	≤200mA	1000Hz	-25...70°C	M8 Connector	Fig.3
Ni2-KH6.5E-OP6L-Q8	2mm	Non-flush	PNP NO	10...30VDC	≤200mA	1000Hz	-25...70°C	M8 Connector	Fig.4
Ni2-KH6.5E-ON6L-Q8	2mm	Non-flush	NPN NO	10...30VDC	≤200mA	1000Hz	-25...70°C	M8 Connector	Fig.4
Ni2-KH6.5E-CP6L-Q8	2mm	Non-flush	PNP NC	10...30VDC	≤200mA	1000Hz	-25...70°C	M8 Connector	Fig.4
Ni2-KH6.5E-CN6L-Q8	2mm	Non-flush	NPN NC	10...30VDC	≤200mA	1000Hz	-25...70°C	M8 Connector	Fig.4

Dimensions:

Fig.1

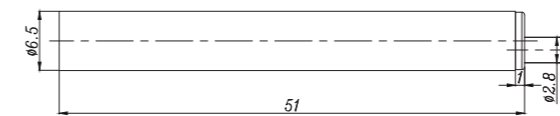


Fig.2

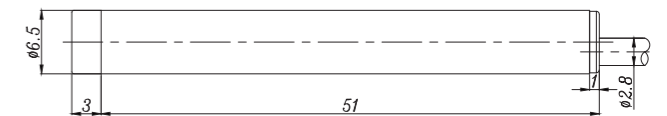


Fig.3

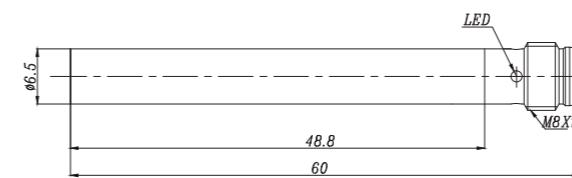
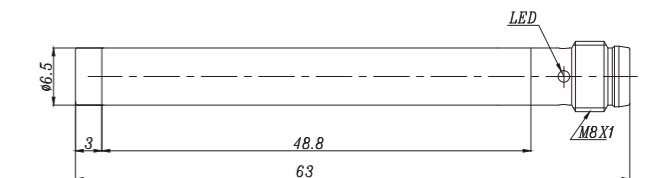
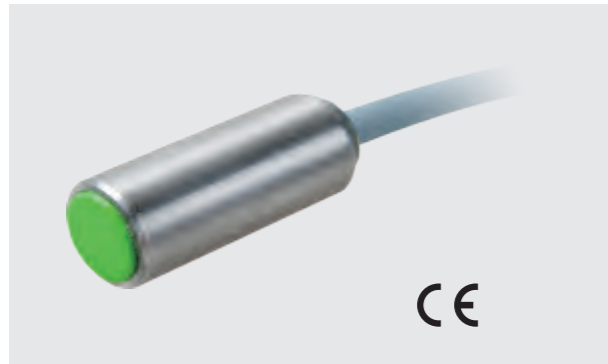


Fig.4



<< Inductive Sensor

Metal Barrel-KH08SS



Description:

Stainless steel housing, smooth barrel, DC 3-wire output, IP67 protection class, LED indicator, super short size.

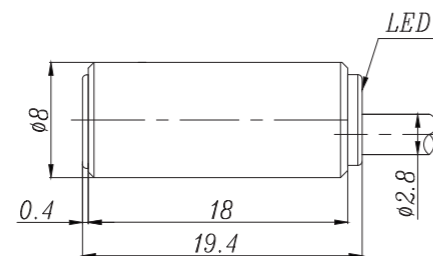
See the wiring diagram on page 231-233 for your reference.

Technical Data:

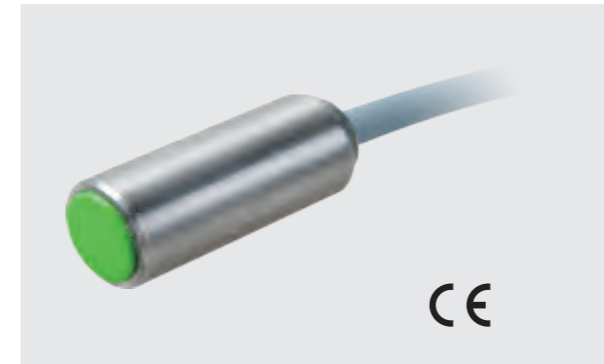
Type	Rated Operating Distance Sn	Mounting	Output	Voltage Range U _B	Rated Current	Switching Frequency	Ambient Temperature	Connection	Fig
Fi2-KH08SS-OP6L	2mm	Flush	PNP NO	10...30VDC	≤200mA	1000Hz	-25...70°C	2m cable	Fig.1
Fi2-KH08SS-ON6L	2mm	Flush	NPN NO	10...30VDC	≤200mA	1000Hz	-25...70°C	2m cable	Fig.1
Fi2-KH08SS-CP6L	2mm	Flush	PNP NC	10...30VDC	≤200mA	1000Hz	-25...70°C	2m cable	Fig.1
Fi2-KH08SS-CN6L	2mm	Flush	NPN NC	10...30VDC	≤200mA	1000Hz	-25...70°C	2m cable	Fig.1

Dimensions:

Fig.1



Metal Barrel-KH08SS



Description:

Stainless steel housing, smooth barrel, DC 2-wire output, IP67 protection class, LED indicator, super short size.

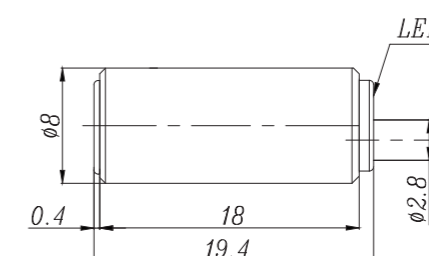
See the wiring diagram on page 231-233 for your reference.

Technical Data:

Type	Rated Operating Distance Sn	Mounting	Output	Voltage Range U _B	Rated Current	Switching Frequency	Ambient Temperature	Connection	Fig
Fi2-KH08SS-OD6L	2mm	Flush	DC NO	10...30VDC	≤100mA	1000Hz	-25...70°C	2m cable	Fig.1
Fi2-KH08SS-CD6L	2mm	Flush	DC NC	10...30VDC	≤100mA	1000Hz	-25...70°C	2m cable	Fig.1

Dimensions:

Fig.1



<< Inductive Sensor

Metal Barrel-KM08SS



Description:

Stainless steel housing, smooth barrel, DC 3-wire output, IP67 protection class, LED indicator, super short size.

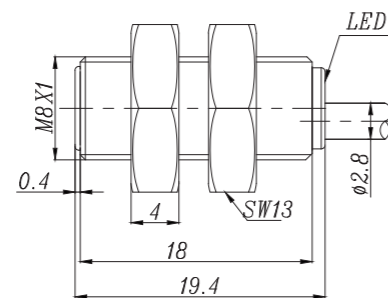
See the wiring diagram on page 231-233 for your reference.

Technical Data:

Type	Rated Operating Distance S_n	Mounting	Output	Voltage Range U_s	Rated Current	Switching Frequency	Ambient Temperature	Connection	Fig
Fi2-KM08SS-OP6L	2mm	Flush	PNP NO	10...30VDC	$\leq 200\text{mA}$	1000Hz	-25...70°C	2m cable	Fig.1
Fi2-KM08SS-ON6L	2mm	Flush	NPN NO	10...30VDC	$\leq 200\text{mA}$	1000Hz	-25...70°C	2m cable	Fig.1
Fi2-KM08SS-CP6L	2mm	Flush	PNP NC	10...30VDC	$\leq 200\text{mA}$	1000Hz	-25...70°C	2m cable	Fig.1
Fi2-KM08SS-CN6L	2mm	Flush	NPN NC	10...30VDC	$\leq 200\text{mA}$	1000Hz	-25...70°C	2m cable	Fig.1

Dimensions:

Fig.1



Metal Barrel-KM08SS



Description:

Stainless steel housing, smooth barrel, DC 2-wire output, IP67 protection class, LED indicator, super short size.

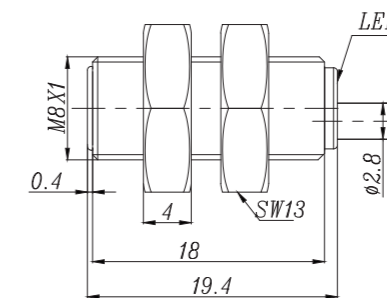
See the wiring diagram on page 231-233 for your reference.

Technical Data:

Type	Rated Operating Distance S_n	Mounting	Output	Voltage Range U_s	Rated Current	Switching Frequency	Ambient Temperature	Connection	Fig
Fi2-KM08SS-OD6L	2mm	Flush	DC NO	10...30VDC	$\leq 100\text{mA}$	1000Hz	-25...70°C	2m cable	Fig.1
Fi2-KM08SS-CD6L	2mm	Flush	DC NC	10...30VDC	$\leq 100\text{mA}$	1000Hz	-25...70°C	2m cable	Fig.1

Dimensions:

Fig.1



<< Inductive Sensor

Metal Barrel-M12SS



Description:

Brass nickel-plated, threaded barrel, DC 3-wire output, IP67 protection class, LED indicator, super short size.

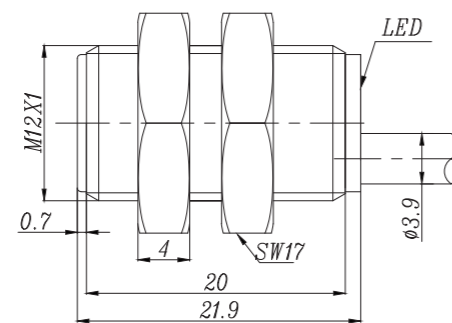
See the wiring diagram on page 231-233 for your reference.

Technical Data:

Type	Rated Operating Distance S_n	Mounting	Output	Voltage Range U_B	Rated Current	Switching Frequency	Ambient Temperature	Connection	Fig
Fi2-M12SS-OP6L	2mm	Flush	PNP NO	10...30VDC	≤200mA	1000Hz	-25...70°C	2m cable	Fig.1
Fi2-M12SS-ON6L	2mm	Flush	NPN NO	10...30VDC	≤200mA	1000Hz	-25...70°C	2m cable	Fig.1
Fi2-M12SS-CP6L	2mm	Flush	PNP NC	10...30VDC	≤200mA	1000Hz	-25...70°C	2m cable	Fig.1
Fi2-M12SS-CN6L	2mm	Flush	NPN NC	10...30VDC	≤200mA	1000Hz	-25...70°C	2m cable	Fig.1

Dimensions:

Fig.1



Metal Barrel-M12SS



Description:

Brass nickel-plated, threaded barrel, DC 2-wire output, IP67 protection class, LED indicator, super short size.

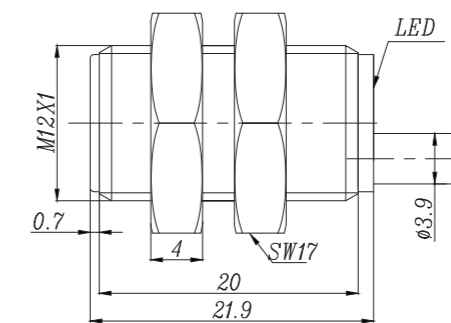
See the wiring diagram on page 231-233 for your reference.

Technical Data:

Type	Rated Operating Distance S_n	Mounting	Output	Voltage Range U_B	Rated Current	Switching Frequency	Ambient Temperature	Connection	Fig
Fi2-M12SS-OD6L	2mm	Flush	DC NO	10...30VDC	≤100mA	1000Hz	-25...70°C	2m cable	Fig.1
Fi2-M12SS-CD6L	2mm	Flush	DC NC	10...30VDC	≤100mA	1000Hz	-25...70°C	2m cable	Fig.1

Dimensions:

Fig.1



Metal Barrel-M08

Metal Barrel-M08



Description:

Brass nickel-plated, threaded barrel, DC 3-wire output, IP67 protection class, LED indicator, 10mm shorter size M08S available.

See the wiring diagram on page 231-233 for your reference.



Description:

Brass nickel-plated, threaded barrel, DC 3-wire output, IP67 protection class, LED indicator, 10mm shorter size M08S available.

See the wiring diagram on page 231-233 for your reference.

02

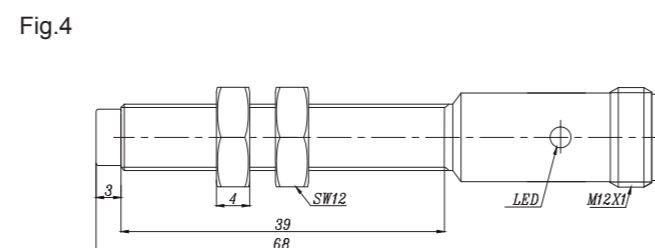
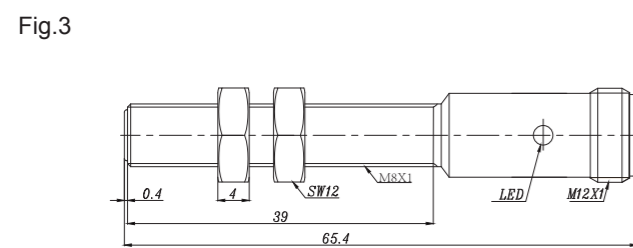
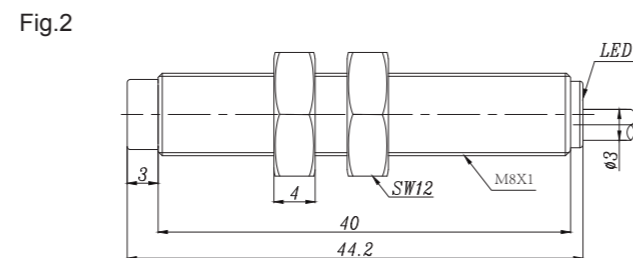
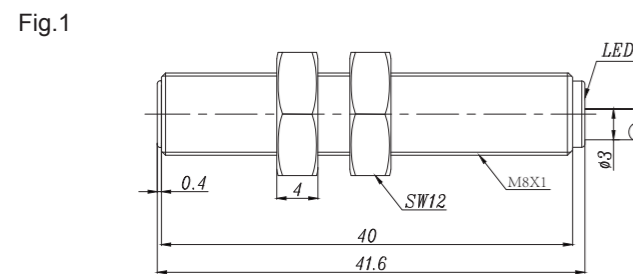
Technical Data:

Type	Rated Operating Distance Sn	Mounting	Output	Voltage Range U _B	Rated Current	Switching Frequency	Ambient Temperature	Connection	Fig
Fi2-M08-OP6L	2mm	Flush	PNP NO	10...30VDC	≤200mA	1000Hz	-25...70°C	2m cable	Fig.1
Fi2-M08-ON6L	2mm	Flush	NPN NO	10...30VDC	≤200mA	1000Hz	-25...70°C	2m cable	Fig.1
Fi2-M08-CP6L	2mm	Flush	PNP NC	10...30VDC	≤200mA	1000Hz	-25...70°C	2m cable	Fig.1
Fi2-M08-CN6L	2mm	Flush	NPN NC	10...30VDC	≤200mA	1000Hz	-25...70°C	2m cable	Fig.1
Ni3-M08-OP6L	3mm	Non-flush	PNP NO	10...30VDC	≤200mA	800Hz	-25...70°C	2m cable	Fig.2
Ni3-M08-ON6L	3mm	Non-flush	NPN NO	10...30VDC	≤200mA	800Hz	-25...70°C	2m cable	Fig.2
Ni3-M08-CP6L	3mm	Non-flush	PNP NC	10...30VDC	≤200mA	800Hz	-25...70°C	2m cable	Fig.2
Ni3-M08-CN6L	3mm	Non-flush	NPN NC	10...30VDC	≤200mA	800Hz	-25...70°C	2m cable	Fig.2
Fi2-M08-OP6L-Q12	2mm	Flush	PNP NO	10...30VDC	≤200mA	1000Hz	-25...70°C	M12 Connector	Fig.3
Fi2-M08-ON6L-Q12	2mm	Flush	NPN NO	10...30VDC	≤200mA	1000Hz	-25...70°C	M12 Connector	Fig.3
Fi2-M08-CP6L-Q12	2mm	Flush	PNP NC	10...30VDC	≤200mA	1000Hz	-25...70°C	M12 Connector	Fig.3
Fi2-M08-CN6L-Q12	2mm	Flush	NPN NC	10...30VDC	≤200mA	1000Hz	-25...70°C	M12 Connector	Fig.3
Ni3-M08-OP6L-Q12	3m	Non-flush	PNP NO	10...30VDC	≤200mA	800Hz	-25...70°C	M12 Connector	Fig.4
Ni3-M08-ON6L-Q12	3m	Non-flush	NPN NO	10...30VDC	≤200mA	800Hz	-25...70°C	M12 Connector	Fig.4
Ni3-M08-CP6L-Q12	3m	Non-flush	PNP NC	10...30VDC	≤200mA	800Hz	-25...70°C	M12 Connector	Fig.4
Ni3-M08-CN6L-Q12	3m	Non-flush	NPN NC	10...30VDC	≤200mA	800Hz	-25...70°C	M12 Connector	Fig.4

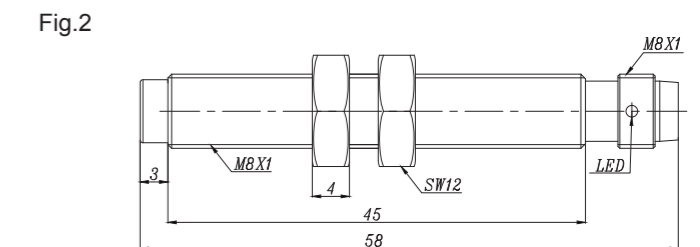
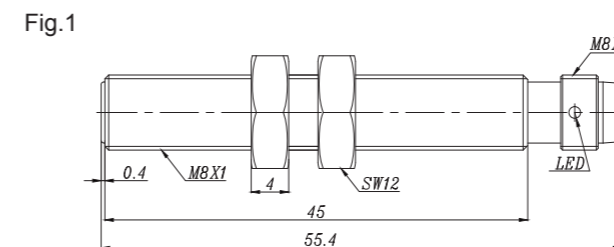
Technical Data:

Type	Rated Operating Distance Sn	Mounting	Output	Voltage Range U _B	Rated Current	Switching Frequency	Ambient Temperature	Connection	Fig
Fi2-M08-OP6L-Q8	2mm	Flush	PNP NO	10...30VDC	≤200mA	1000Hz	-25...70°C	M8 Connector	Fig.1
Fi2-M08-ON6L-Q8	2mm	Flush	NPN NO	10...30VDC	≤200mA	1000Hz	-25...70°C	M8 Connector	Fig.1
Fi2-M08-CP6L-Q8	2mm	Flush	PNP NC	10...30VDC	≤200mA	1000Hz	-25...70°C	M8 Connector	Fig.1
Fi2-M08-CN6L-Q8	2mm	Flush	NPN NC	10...30VDC	≤200mA	1000Hz	-25...70°C	M8 Connector	Fig.1
Ni3-M08-OP6L-Q8	3mm	Non-flush	PNP NO	10...30VDC	≤200mA	800Hz	-25...70°C	M8 Connector	Fig.2
Ni3-M08-ON6L-Q8	3mm	Non-flush	NPN NO	10...30VDC	≤200mA	800Hz	-25...70°C	M8 Connector	Fig.2
Ni3-M08-CP6L-Q8	3mm	Non-flush	PNP NC	10...30VDC	≤200mA	800Hz	-25...70°C	M8 Connector	Fig.2
Ni3-M08-CN6L-Q8	3mm	Non-flush	NPN NC	10...30VDC	≤200mA	800Hz	-25...70°C	M8 Connector	Fig.2

Dimensions:



Dimensions:



Metal Barrel-M08



Description:

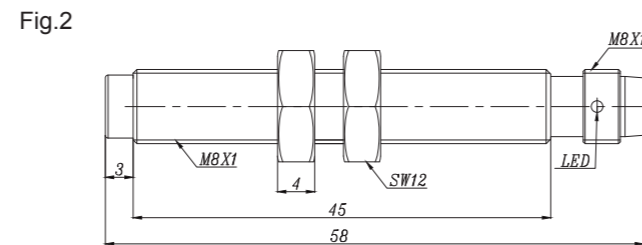
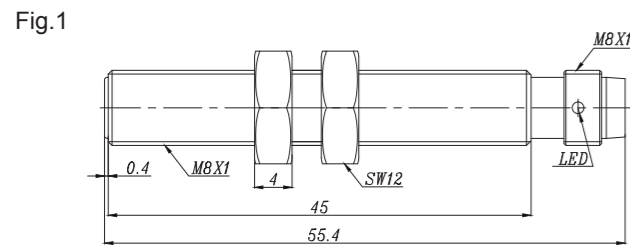
Brass nickel-plated, threaded barrel, DC 2-wire output, IP67 protection class, LED indicator, 10mm shorter size M08S available.

See the wiring diagram on page 231-233 for your reference.

Technical Data:

Type	Rated Operating Distance Sn	Mounting	Output	Voltage Range U _B	Rated Current	Switching Frequency	Ambient Temperature	Connection	Fig
Fi2-M08-OD6L-Q8	2mm	Flush	DC NO	10...30VDC	≤100mA	1000Hz	-25...70°C	M8 Connector	Fig.1
Fi2-M08-CD6L-Q8	2mm	Flush	DC NC	10...30VDC	≤100mA	1000Hz	-25...70°C	M8 Connector	Fig.1
Ni3-M08-OD6L-Q8	3mm	Non-flush	DC NO	10...30VDC	≤100mA	800Hz	-25...70°C	M8 Connector	Fig.2
Ni3-M08-CD6L-Q8	3mm	Non-flush	DC NC	10...30VDC	≤100mA	800Hz	-25...70°C	M8 Connector	Fig.2

Dimensions:



Metal Barrel-M08



Description:

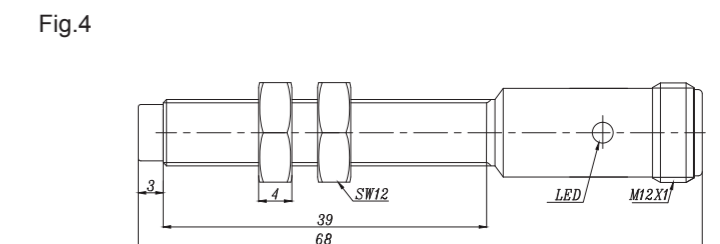
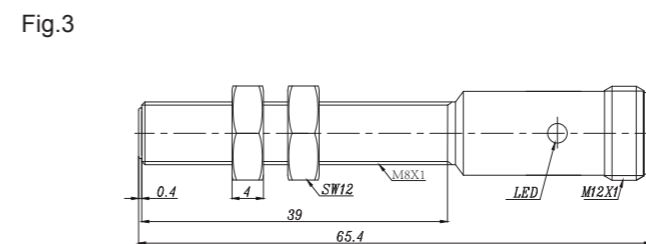
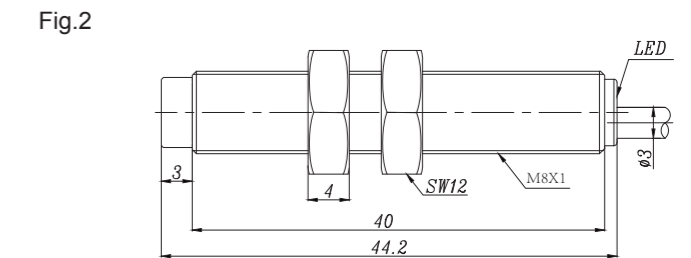
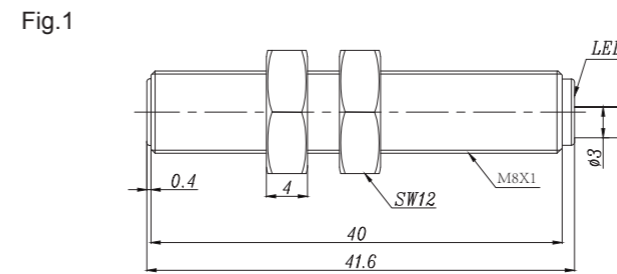
Brass nickel-plated, threaded barrel, DC 2-wire output, IP67 protection class, LED indicator, 10mm shorter size M08S available.

See the wiring diagram on page 231-233 for your reference.

Technical Data:

Type	Rated Operating Distance Sn	Mounting	Output	Voltage Range U _B	Rated Current	Switching Frequency	Ambient Temperature	Connection	Fig
Fi2-M08-OD6L	2mm	Flush	DC NO	10...30VDC	≤100mA	1000Hz	-25...70°C	2m cable	Fig.1
Fi2-M08-CD6L	2mm	Flush	DC NC	10...30VDC	≤100mA	1000Hz	-25...70°C	2m cable	Fig.1
Ni3-M08-OD6L	3mm	Non-flush	DC NO	10...30VDC	≤100mA	800Hz	-25...70°C	2m cable	Fig.1
Ni3-M08-CD6L	3mm	Non-flush	DC NC	10...30VDC	≤100mA	800Hz	-25...70°C	2m cable	Fig.1
Fi2-M08-OD6L-Q12	2mm	Flush	DC NO	10...30VDC	≤100mA	1000Hz	-25...70°C	M12 Connector	Fig.2
Fi2-M08-CD6L-Q12	2mm	Flush	DC NC	10...30VDC	≤100mA	1000Hz	-25...70°C	M12 Connector	Fig.2
Ni3-M08-OD6L-Q12	3mm	Non-flush	DC NO	10...30VDC	≤100mA	800Hz	-25...70°C	M12 Connector	Fig.2
Ni3-M08-CD6L-Q12	3mm	Non-flush	DC NC	10...30VDC	≤100mA	800Hz	-25...70°C	M12 Connector	Fig.2

Dimensions:



Metal Barrel-M12



Description:

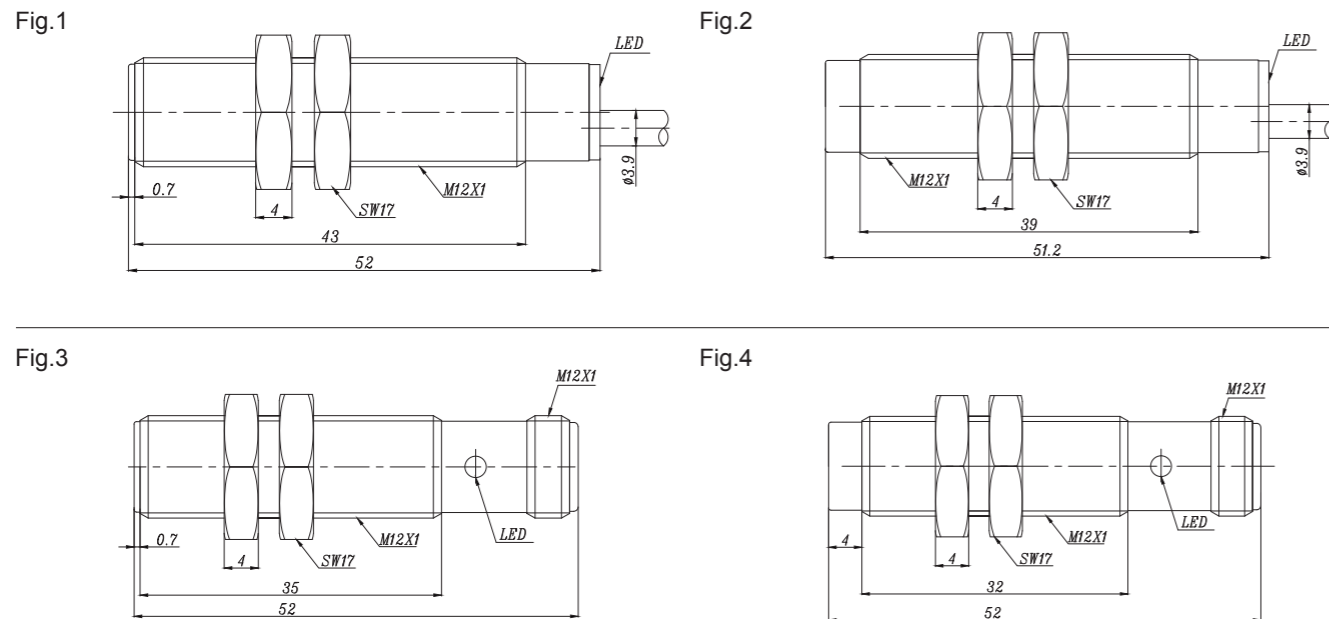
Brass nickel-plated, threaded barrel, DC 2-wire output, IP67 protection class, LED indicator.

See the wiring diagram on page 231-233 for your reference.

Technical Data:

Type	Rated Operating Distance Sn	Mounting	Output	Voltage Range U _B	Rated Current	Switching Frequency	Ambient Temperature	Connection	Fig
Fi2-M12-OD6L	2mm	Flush	DC NO	10...30VDC	≤100mA	1000Hz	-25...70°C	2m cable	Fig.1
Fi2-M12-CD6L	2mm	Flush	DC NC	10...30VDC	≤100mA	1000Hz	-25...70°C	2m cable	Fig.1
Ni4-M12-OD6L	4mm	Non-flush	DC NO	10...30VDC	≤100mA	800Hz	-25...70°C	2m cable	Fig.2
Ni4-M12-CD6L	4mm	Non-flush	DC NC	10...30VDC	≤100mA	800Hz	-25...70°C	2m cable	Fig.2
Ni5-M12-OD6L	5mm	Non-flush	DC NO	10...30VDC	≤100mA	800Hz	-25...70°C	2m cable	Fig.2
Ni5-M12-CD6L	5mm	Non-flush	DC NC	10...30VDC	≤100mA	800Hz	-25...70°C	2m cable	Fig.2
Fi2-M12-OD6L-Q12	2mm	Flush	DC NO	10...30VDC	≤100mA	1000Hz	-25...70°C	M12 Connector	Fig.3
Fi2-M12-CD6L-Q12	2mm	Flush	DC NC	10...30VDC	≤100mA	1000Hz	-25...70°C	M12 Connector	Fig.3
Ni4-M12-OD6L-Q12	4mm	Non-flush	DC NO	10...30VDC	≤100mA	800Hz	-25...70°C	M12 Connector	Fig.4
Ni4-M12-CD6L-Q12	4mm	Non-flush	DC NC	10...30VDC	≤100mA	800Hz	-25...70°C	M12 Connector	Fig.4
Ni5-M12-OD6L-Q12	5mm	Non-flush	DC NO	10...30VDC	≤100mA	800Hz	-25...70°C	M12 Connector	Fig.4
Ni5-M12-CD6L-Q12	5mm	Non-flush	DC NC	10...30VDC	≤100mA	800Hz	-25...70°C	M12 Connector	Fig.4

Dimensions:



Metal Barrel-M12



Description:

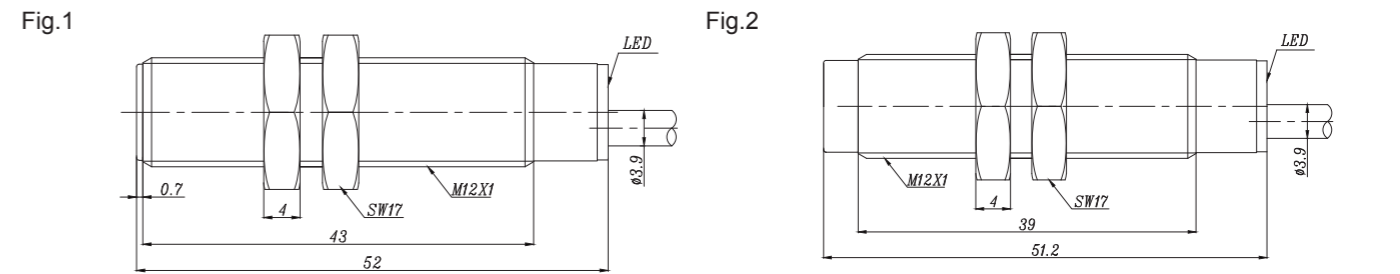
Brass nickel-plated, threaded barrel, DC 3-wire output, IP67 protection class, LED indicator.

See the wiring diagram on page 231-233 for your reference.

Technical Data:

Type	Rated Operating Distance Sn	Mounting	Output	Voltage Range U _B	Rated Current	Switching Frequency	Ambient Temperature	Connection	Fig
Fi2-M12-OP6L	2mm	Flush	PNP NO	10...30VDC	≤200mA	1000Hz	-25...70°C	2m cable	Fig.1
Fi2-M12-ON6L	2mm	Flush	NPN NO	10...30VDC	≤200mA	1000Hz	-25...70°C	2m cable	Fig.1
Fi2-M12-CP6L	2mm	Flush	PNP NC	10...30VDC	≤200mA	1000Hz	-25...70°C	2m cable	Fig.1
Fi2-M12-CN6L	2mm	Flush	NPN NC	10...30VDC	≤200mA	1000Hz	-25...70°C	2m cable	Fig.1
Ni4-M12-OP6L	4mm	Non-flush	PNP NO	10...30VDC	≤200mA	800Hz	-25...70°C	2m cable	Fig.2
Ni4-M12-ON6L	4mm	Non-flush	NPN NO	10...30VDC	≤200mA	800Hz	-25...70°C	2m cable	Fig.2
Ni4-M12-CP6L	4mm	Non-flush	PNP NC	10...30VDC	≤200mA	800Hz	-25...70°C	2m cable	Fig.2
Ni4-M12-CN6L	4mm	Non-flush	NPN NC	10...30VDC	≤200mA	800Hz	-25...70°C	2m cable	Fig.2
Ni5-M12-OP6L	5mm	Non-flush	PNP NO	10...30VDC	≤200mA	800Hz	-25...70°C	2m cable	Fig.2
Ni5-M12-ON6L	5mm	Non-flush	NPN NO	10...30VDC	≤200mA	800Hz	-25...70°C	2m cable	Fig.2
Ni5-M12-CP6L	5mm	Non-flush	PNP NC	10...30VDC	≤200mA	800Hz	-25...70°C	2m cable	Fig.2
Ni5-M12-CN6L	5mm	Non-flush	NPN NC	10...30VDC	≤200mA	800Hz	-25...70°C	2m cable	Fig.2

Dimensions:



Metal Barrel-M12

Metal Barrel-M12



Description:

Brass nickel-plated, threaded barrel, DC 3-wire output, IP67 protection class, LED indicator.

See the wiring diagram on page 231-233 for your reference.



Description:

Brass nickel-plated, threaded barrel, DC 4-wire output, IP67 protection class, LED indicator.

See the wiring diagram on page 231-233 for your reference.

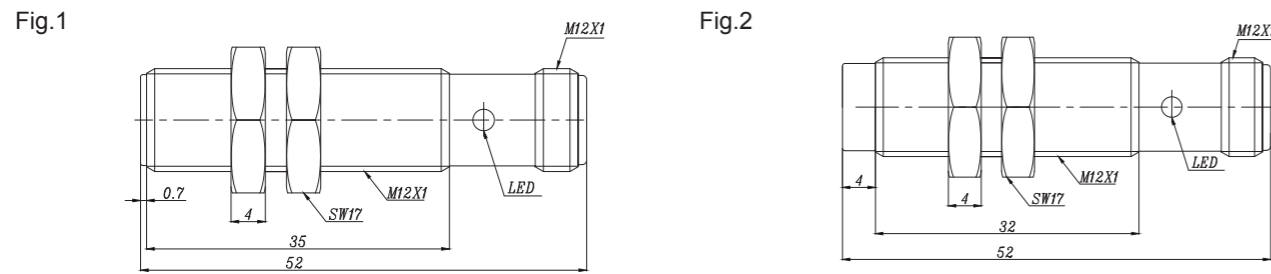
Technical Data:

Type	Rated Operating Distance Sn	Mounting	Output	Voltage Range U _s	Rated Current	Switching Frequency	Ambient Temperature	Connection	Fig
Fi2-M12-OP6L-Q12	2mm	Flush	PNP NO	10...30VDC	≤200mA	1000Hz	-25...70°C	M12 Connector	Fig.1
Fi2-M12-ON6L-Q12	2mm	Flush	NPN NO	10...30VDC	≤200mA	1000Hz	-25...70°C	M12 Connector	Fig.1
Fi2-M12-CP6L-Q12	2mm	Flush	PNP NC	10...30VDC	≤200mA	1000Hz	-25...70°C	M12 Connector	Fig.1
Fi2-M12-CN6L-Q12	2mm	Flush	NPN NC	10...30VDC	≤200mA	1000Hz	-25...70°C	M12 Connector	Fig.1
Ni4-M12-OP6L-Q12	4mm	Non-flush	PNP NO	10...30VDC	≤200mA	800Hz	-25...70°C	M12 Connector	Fig.2
Ni4-M12-ON6L-Q12	4mm	Non-flush	NPN NO	10...30VDC	≤200mA	800Hz	-25...70°C	M12 Connector	Fig.2
Ni4-M12-CP6L-Q12	4mm	Non-flush	PNP NC	10...30VDC	≤200mA	800Hz	-25...70°C	M12 Connector	Fig.2
Ni4-M12-CN6L-Q12	4mm	Non-flush	NPN NC	10...30VDC	≤200mA	800Hz	-25...70°C	M12 Connector	Fig.2
Ni5-M12-OP6L-Q12	5mm	Non-flush	PNP NO	10...30VDC	≤200mA	800Hz	-25...70°C	M12 Connector	Fig.2
Ni5-M12-ON6L-Q12	5mm	Non-flush	NPN NO	10...30VDC	≤200mA	800Hz	-25...70°C	M12 Connector	Fig.2
Ni5-M12-CP6L-Q12	5mm	Non-flush	PNP NC	10...30VDC	≤200mA	800Hz	-25...70°C	M12 Connector	Fig.2
Ni5-M12-CN6L-Q12	5mm	Non-flush	NPN NC	10...30VDC	≤200mA	800Hz	-25...70°C	M12 Connector	Fig.2

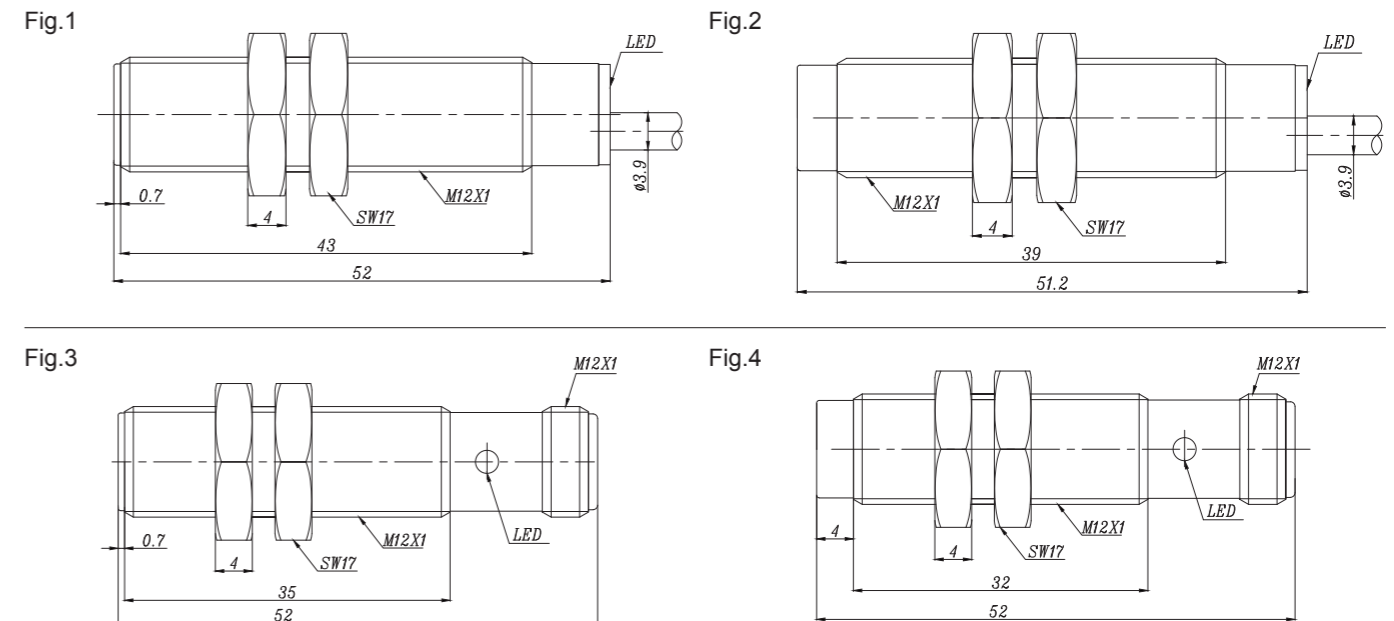
Technical Data:

Type	Rated Operating Distance Sn	Mounting	Output	Voltage Range U _s	Rated Current	Switching Frequency	Ambient Temperature	Connection	Fig
Fi2-M12-BP6L	2mm	Flush	PNP NO+NC	10...30VDC	≤200mA	1000Hz	-25...70°C	2m cable	Fig.1
Fi2-M12-BN6L	2mm	Flush	NPN NO+NC	10...30VDC	≤200mA	1000Hz	-25...70°C	2m cable	Fig.1
Ni4-M12-BP6L	4mm	Non-flush	PNP NO+NC	10...30VDC	≤200mA	800Hz	-25...70°C	2m cable	Fig.2
Ni4-M12-BN6L	4mm	Non-flush	NPN NO+NC	10...30VDC	≤200mA	800Hz	-25...70°C	2m cable	Fig.2
Ni5-M12-BP6L	5mm	Non-flush	PNP NO+NC	10...30VDC	≤200mA	800Hz	-25...70°C	2m cable	Fig.2
Ni5-M12-BN6L	5mm	Non-flush	NPN NO+NC	10...30VDC	≤200mA	800Hz	-25...70°C	2m cable	Fig.2
Fi2-M12-BP6L-Q12	2mm	Flush	PNP NO+NC	10...30VDC	≤200mA	1000Hz	-25...70°C	M12 Connector	Fig.3
Fi2-M12-BN6L-Q12	2mm	Flush	NPN NO+NC	10...30VDC	≤200mA	1000Hz	-25...70°C	M12 Connector	Fig.3
Ni4-M12-BP6L-Q12	4mm	Non-flush	PNP NO+NC	10...30VDC	≤200mA	800Hz	-25...70°C	M12 Connector	Fig.4
Ni4-M12-BN6L-Q12	4mm	Non-flush	NPN NO+NC	10...30VDC	≤200mA	800Hz	-25...70°C	M12 Connector	Fig.4
Ni5-M12-BP6L-Q12	5mm	Non-flush	PNP NO+NC	10...30VDC	≤200mA	800Hz	-25...70°C	M12 Connector	Fig.4
Ni5-M12-BN6L-Q12	5mm	Non-flush	NPN NO+NC	10...30VDC	≤200mA	800Hz	-25...70°C	M12 Connector	Fig.4

Dimensions:



Dimensions:



Metal Barrel-M12



Description:

Brass nickel-plated, threaded barrel, AC 2-wire output, IP67 protection class, LED indicator.

See the wiring diagram on page 231-233 for your reference.

Metal Barrel-M12



Description:

Brass nickel-plated, threaded barrel, AC/DC 2-wire output, IP67 protection class, LED indicator.

See the wiring diagram on page 231-233 for your reference.

02

Technical Data:

Type	Rated Operating Distance Sn	Mounting	Output	Voltage Range U _b	Rated Current	Switching Frequency	Ambient Temperature	Connection	Fig
Fi2-M12-OSA3L	2mm	Flush	AC NO	20...250VAC	≤200mA	40Hz	-25...70°C	2m cable	Fig.1
Fi2-M12-CSA3L	2mm	Flush	AC NC	20...250VAC	≤200mA	40Hz	-25...70°C	2m cable	Fig.1
Ni4-M12-OSA3L	4mm	Non-flush	AC NO	20...250VAC	≤200mA	40Hz	-25...70°C	2m cable	Fig.2
Ni4-M12-CSA3L	4mm	Non-flush	AC NC	20...250VAC	≤200mA	40Hz	-25...70°C	2m cable	Fig.2
Fi2-M12-OSA3L-Q12	2mm	Flush	AC NO	20...250VAC	≤200mA	40Hz	-25...70°C	M12 Connector	Fig.3
Fi2-M12-CSA3L-Q12	2mm	Flush	AC NC	20...250VAC	≤200mA	40Hz	-25...70°C	M12 Connector	Fig.3
Ni4-M12-OSA3L-Q12	4mm	Non-flush	AC NO	20...250VAC	≤200mA	40Hz	-25...70°C	M12 Connector	Fig.4
Ni4-M12-CSA3L-Q12	4mm	Non-flush	AC NC	20...250VAC	≤200mA	40Hz	-25...70°C	M12 Connector	Fig.4

Technical Data:

Type	Rated Operating Distance Sn	Mounting	Output	Voltage Range U _b	Rated Current	Switching Frequency	Ambient Temperature	Connection	Fig
Fi2-M12-OA41L	2mm	Flush	DC/AC NO	20...250VAC/DC	DC≤100mA/AC≤200mA	40Hz	-25...70°C	2m cable	Fig.1
Fi2-M12-CA41L	2mm	Flush	DC/AC NC	20...250VAC/DC	DC≤100mA/AC≤200mA	40Hz	-25...70°C	2m cable	Fig.1
Ni4-M12-OSA41L	4mm	Non-flush	DC/AC NO	20...250VAC/DC	DC≤100mA/AC≤200mA	40Hz	-25...70°C	2m cable	Fig.2
Ni4-M12-CA41L	4mm	Non-flush	DC/AC NC	20...250VAC/DC	DC≤100mA/AC≤200mA	40Hz	-25...70°C	2m cable	Fig.2
Fi2-M12-OA41L-Q12	2mm	Flush	DC/AC NO	20...250VAC/DC	DC≤100mA/AC≤200mA	40Hz	-25...70°C	M12 Connector	Fig.3
Fi2-M12-CA41L-Q12	2mm	Flush	DC/AC NC	20...250VAC/DC	DC≤100mA/AC≤200mA	40Hz	-25...70°C	M12 Connector	Fig.3
Ni4-M12-OA41L-Q12	4mm	Non-flush	DC/AC NO	20...250VAC/DC	DC≤100mA/AC≤200mA	40Hz	-25...70°C	M12 Connector	Fig.4
Ni4-M12-CA41L-Q12	4mm	Non-flush	DC/AC NC	20...250VAC/DC	DC≤100mA/AC≤200mA	40Hz	-25...70°C	M12 Connector	Fig.4

Dimensions:

Fig.1

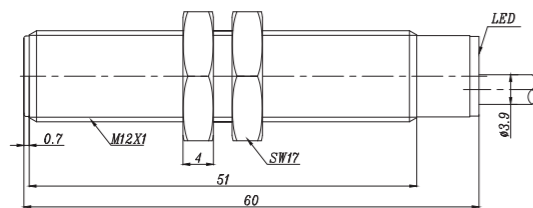


Fig.2

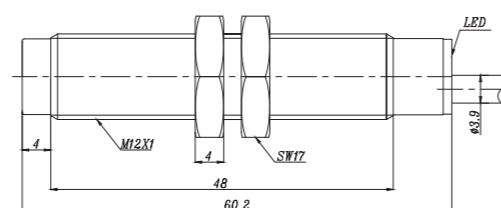


Fig.3

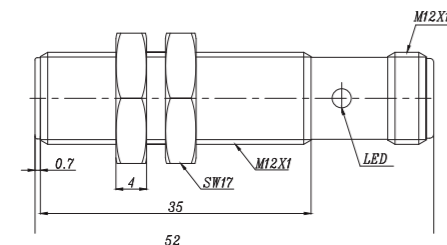
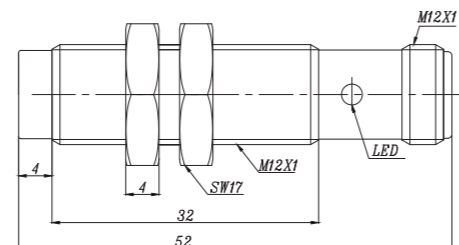


Fig.4



Dimensions:

Fig.1

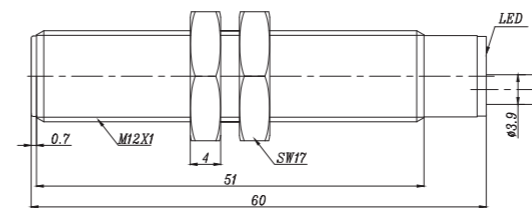


Fig.2

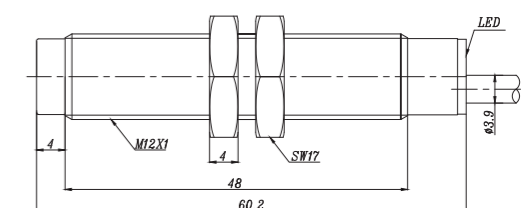


Fig.3

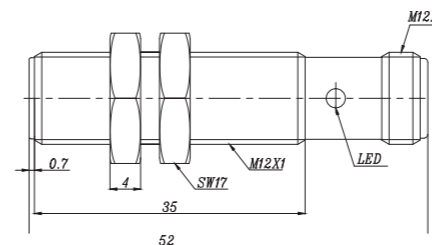
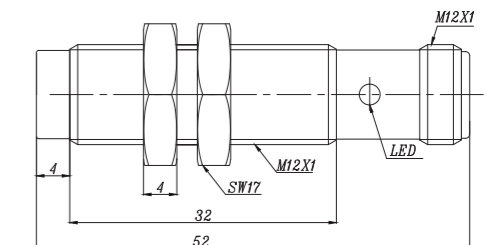


Fig.4



Metal Barrel-M12S (Short)



Description:

Brass nickel-plated, threaded barrel, DC 2-wire output, IP67 protection class, LED indicator, short size.

See the wiring diagram on page 231-233 for your reference.

Metal Barrel-M12S (Short)



Description:

Brass nickel-plated, threaded barrel, DC 3-wire output, IP67 protection class, LED indicator, short size.

See the wiring diagram on page 231-233 for your reference.

02

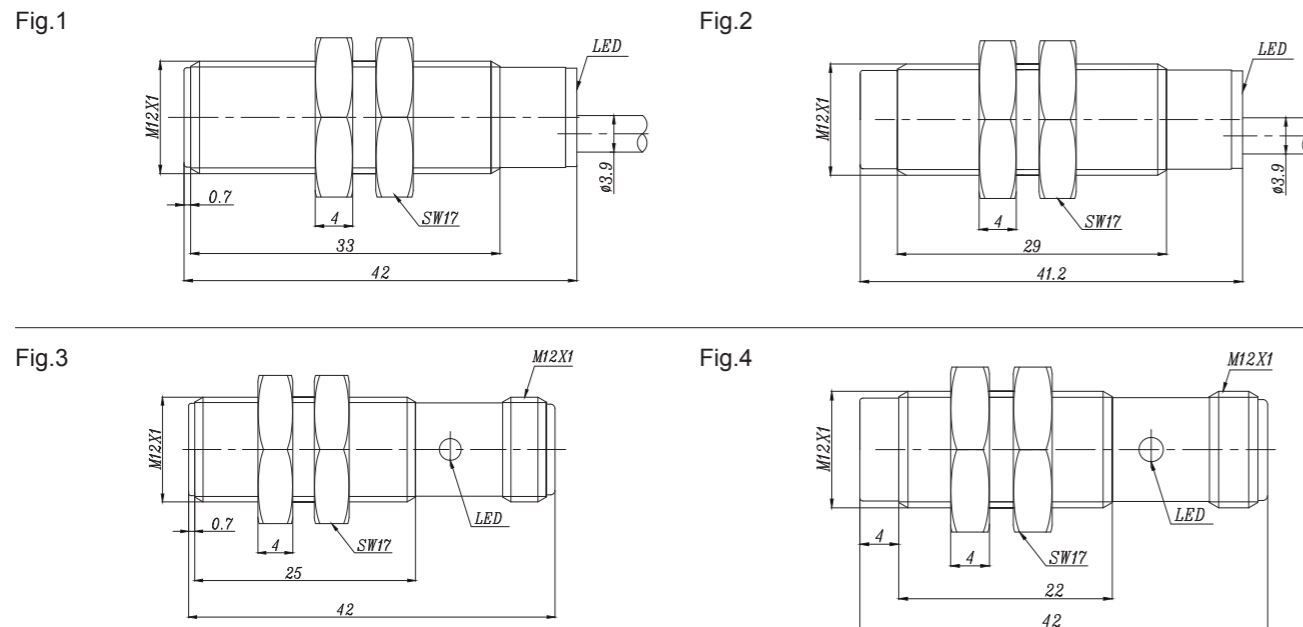
Technical Data:

Type	Rated Operating Distance Sn	Mounting	Output	Voltage Range U _a	Rated Current	Switching Frequency	Ambient Temperature	Connection	Fig
Fi2-M12S-OD6L	2mm	Flush	DC NO	10...30VDC	≤100mA	1000Hz	-25...70°C	2m cable	Fig.1
Fi2-M12S-CD6L	2mm	Flush	DC NC	10...30VDC	≤100mA	1000Hz	-25...70°C	2m cable	Fig.1
Ni4-M12S-OD6L	4mm	Non-flush	DC NO	10...30VDC	≤100mA	800Hz	-25...70°C	2m cable	Fig.2
Ni4-M12S-CD6L	4mm	Non-flush	DC NC	10...30VDC	≤100mA	800Hz	-25...70°C	2m cable	Fig.2
Ni5-M12S-OD6L	5mm	Non-flush	DC NO	10...30VDC	≤100mA	800Hz	-25...70°C	2m cable	Fig.2
Ni5-M12S-CD6L	5mm	Non-flush	DC NC	10...30VDC	≤100mA	800Hz	-25...70°C	2m cable	Fig.2
Fi2-M12S-OD6L-Q12	2mm	Flush	DC NO	10...30VDC	≤100mA	1000Hz	-25...70°C	M12 Connector	Fig.3
Fi2-M12S-CD6L-Q12	2mm	Flush	DC NC	10...30VDC	≤100mA	1000Hz	-25...70°C	M12 Connector	Fig.3
Ni4-M12S-OD6L-Q12	4mm	Non-flush	DC NO	10...30VDC	≤100mA	800Hz	-25...70°C	M12 Connector	Fig.4
Ni4-M12S-CD6L-Q12	4mm	Non-flush	DC NC	10...30VDC	≤100mA	800Hz	-25...70°C	M12 Connector	Fig.4
Ni5-M12S-OD6L-Q12	5mm	Non-flush	DC NO	10...30VDC	≤100mA	800Hz	-25...70°C	M12 Connector	Fig.4
Ni5-M12S-CD6L-Q12	5mm	Non-flush	DC NC	10...30VDC	≤100mA	800Hz	-25...70°C	M12 Connector	Fig.4

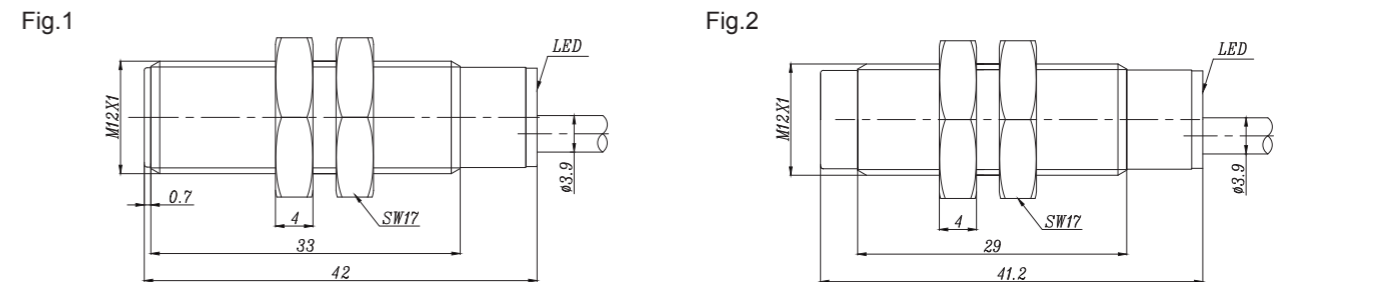
Technical Data:

Type	Rated Operating Distance Sn	Mounting	Output	Voltage Range U _a	Rated Current	Switching Frequency	Ambient Temperature	Connection	Fig
Fi2-M12S-OP6L	2mm	Flush	PNP NO	10...30VDC	≤200mA	1000Hz	-25...70°C	2m cable	Fig.1
Fi2-M12S-ON6L	2mm	Flush	NPN NO	10...30VDC	≤200mA	1000Hz	-25...70°C	2m cable	Fig.1
Fi2-M12S-CP6L	2mm	Flush	PNP NC	10...30VDC	≤200mA	1000Hz	-25...70°C	2m cable	Fig.1
Fi2-M12S-CN6L	2mm	Flush	NPN NC	10...30VDC	≤200mA	1000Hz	-25...70°C	2m cable	Fig.1
Ni4-M12S-OP6L	4mm	Non-flush	PNP NO	10...30VDC	≤200mA	800Hz	-25...70°C	2m cable	Fig.2
Ni4-M12S-ON6L	4mm	Non-flush	NPN NO	10...30VDC	≤200mA	800Hz	-25...70°C	2m cable	Fig.2
Ni4-M12S-CP6L	4mm	Non-flush	PNP NC	10...30VDC	≤200mA	800Hz	-25...70°C	2m cable	Fig.2
Ni4-M12S-CN6L	4mm	Non-flush	NPN NC	10...30VDC	≤200mA	800Hz	-25...70°C	2m cable	Fig.2
Ni5-M12S-OP6L	5mm	Non-flush	PNP NO	10...30VDC	≤200mA	800Hz	-25...70°C	2m cable	Fig.2
Ni5-M12S-ON6L	5mm	Non-flush	NPN NO	10...30VDC	≤200mA	800Hz	-25...70°C	2m cable	Fig.2
Ni5-M12S-CP6L	5mm	Non-flush	PNP NC	10...30VDC	≤200mA	800Hz	-25...70°C	2m cable	Fig.2
Ni5-M12S-CN6L	5mm	Non-flush	NPN NC	10...30VDC	≤200mA	800Hz	-25...70°C	2m cable	Fig.2

Dimensions:



Dimensions:



Metal Barrel-M12S (Short)



Description:

Brass nickel-plated, threaded barrel, DC 3-wire output, LED indicator, IP67 protection class, short size.

See the wiring diagram on page 231-233 for your reference.

Metal Barrel-M12S (Short)



Description:

Brass nickel-plated, threaded barrel, DC 4-wire output, yellow LED indicator, IP67 protection class, short size.

See the wiring diagram on page 231-233 for your reference.

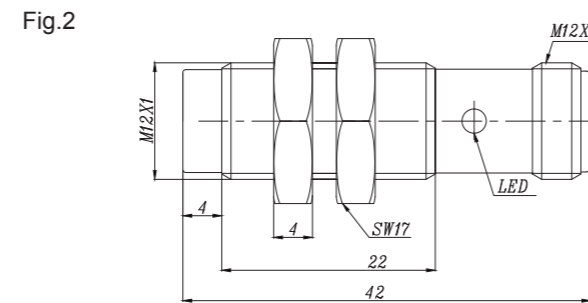
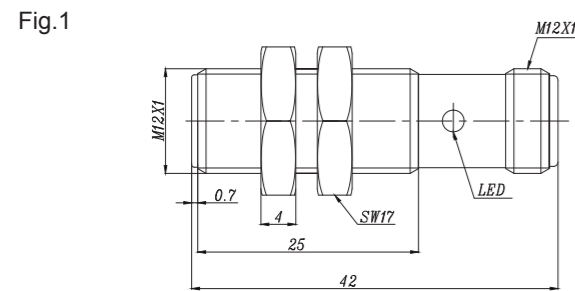
Technical Data:

Type	Rated Operating Distance Sn	Mounting	Output	Voltage Range U _s	Rated Current	Switching Frequency	Ambient Temperature	Connection	Fig
Fi2-M12S-OP6L-Q12	2mm	Flush	PNP NO	10...30VDC	≤100mA	1000Hz	-25...70°C	M12 Connector	Fig.1
Fi2-M12S-ON6L-Q12	2mm	Flush	NPN NO	10...30VDC	≤100mA	1000Hz	-25...70°C	M12 Connector	Fig.1
Fi2-M12S-CP6L-Q12	2mm	Flush	PNP NC	10...30VDC	≤100mA	1000Hz	-25...70°C	M12 Connector	Fig.1
Fi2-M12S-CN6L-Q12	2mm	Flush	NPN NC	10...30VDC	≤100mA	1000Hz	-25...70°C	M12 Connector	Fig.1
Ni4-M12S-OP6L-Q12	4mm	Non-flush	PNP NO	10...30VDC	≤100mA	800Hz	-25...70°C	M12 Connector	Fig.2
Ni4-M12S-ON6L-Q12	4mm	Non-flush	NPN NO	10...30VDC	≤100mA	800Hz	-25...70°C	M12 Connector	Fig.2
Ni4-M12S-CP6L-Q12	4mm	Non-flush	PNP NC	10...30VDC	≤100mA	800Hz	-25...70°C	M12 Connector	Fig.2
Ni4-M12S-CN6L-Q12	4mm	Non-flush	NPN NC	10...30VDC	≤100mA	800Hz	-25...70°C	M12 Connector	Fig.2
Ni5-M12S-OP6L-Q12	5mm	Non-flush	PNP NO	10...30VDC	≤100mA	800Hz	-25...70°C	M12 Connector	Fig.2
Ni5-M12S-ON6L-Q12	5mm	Non-flush	NPN NO	10...30VDC	≤100mA	800Hz	-25...70°C	M12 Connector	Fig.2
Ni5-M12S-CP6L-Q12	5mm	Non-flush	PNP NC	10...30VDC	≤100mA	800Hz	-25...70°C	M12 Connector	Fig.2
Ni5-M12S-CN6L-Q12	5mm	Non-flush	NPN NC	10...30VDC	≤100mA	800Hz	-25...70°C	M12 Connector	Fig.2

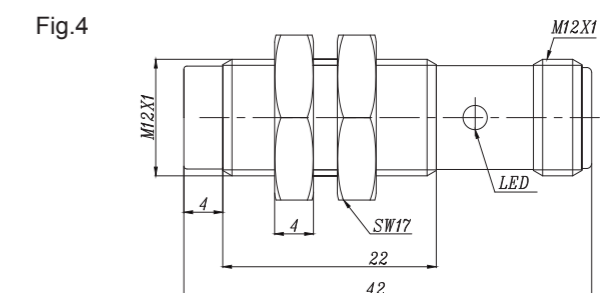
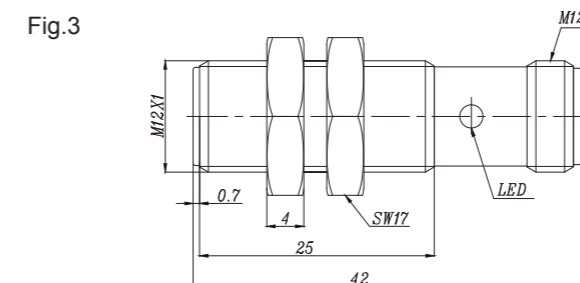
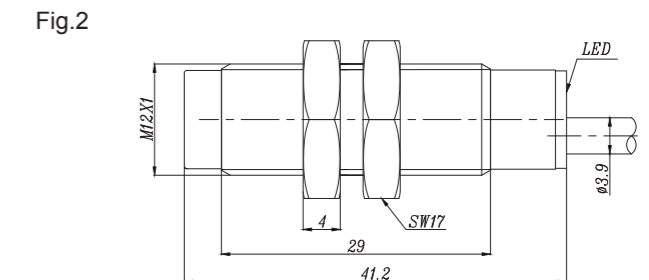
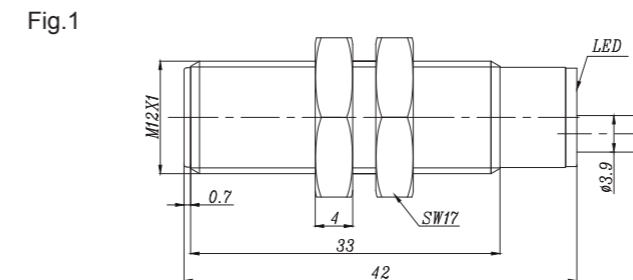
Technical Data:

Type	Rated Operating Distance Sn	Mounting	Output	Voltage Range U _s	Rated Current	Switching Frequency	Ambient Temperature	Connection	Fig
Fi2-M12S-BP6L	2mm	Flush	PNP NO+NC	10...30VDC	≤200mA	1000Hz	-25...70°C	2m cable	Fig.1
Fi2-M12S-BN6L	2mm	Flush	NPN NO+NC	10...30VDC	≤200mA	1000Hz	-25...70°C	2m cable	Fig.1
Ni4-M12S-BP6L	4mm	Non-flush	PNP NO+NC	10...30VDC	≤200mA	800Hz	-25...70°C	2m cable	Fig.2
Ni4-M12S-BN6L	4mm	Non-flush	NPN NO+NC	10...30VDC	≤200mA	800Hz	-25...70°C	2m cable	Fig.2
Ni5-M12S-BP6L	5mm	Non-flush	PNP NO+NC	10...30VDC	≤200mA	800Hz	-25...70°C	2m cable	Fig.2
Ni5-M12S-BN6L	5mm	Non-flush	NPN NO+NC	10...30VDC	≤200mA	800Hz	-25...70°C	2m cable	Fig.2
Fi2-M12S-BP6L-Q12	2mm	Flush	PNP NO+NC	10...30VDC	≤200mA	1000Hz	-25...70°C	M12 Connector	Fig.3
Fi2-M12S-BN6L-Q12	2mm	Flush	NPN NO+NC	10...30VDC	≤200mA	1000Hz	-25...70°C	M12 Connector	Fig.3
Ni4-M12S-BP6L-Q12	4mm	Non-flush	PNP NO+NC	10...30VDC	≤200mA	800Hz	-25...70°C	M12 Connector	Fig.4
Ni4-M12S-BN6L-Q12	4mm	Non-flush	NPN NO+NC	10...30VDC	≤200mA	800Hz	-25...70°C	M12 Connector	Fig.4
Ni5-M12S-BP6L-Q12	5mm	Non-flush	PNP NO+NC	10...30VDC	≤200mA	800Hz	-25...70°C	M12 Connector	Fig.4
Ni5-M12S-BN6L-Q12	5mm	Non-flush	NPN NO+NC	10...30VDC	≤200mA	800Hz	-25...70°C	M12 Connector	Fig.4

Dimensions:



Dimensions:



<< Inductive Sensor

Metal Barrel-M12E (Long)



Description:

Brass nickel-plated, threaded barrel, DC 2-wire output, IP67 protection class, LED indicator, long size.

See the wiring diagram on page 231-233 for your reference.

Technical Data:

Type	Rated Operating Distance Sn	Mounting	Output	Voltage Range U _B	Rated Current	Switching Frequency	Ambient Temperature	Connection	Fig
Fi2-M12E-OD6L	2mm	Flush	DC NO	10...30VDC	≤100mA	1000Hz	-25...70°C	2m cable	Fig.1
Fi2-M12E-CD6L	2mm	Flush	DC NC	10...30VDC	≤100mA	1000Hz	-25...70°C	2m cable	Fig.1
Ni4-M12E-OD6L	4mm	Non-flush	DC NO	10...30VDC	≤100mA	800Hz	-25...70°C	2m cable	Fig.2
Ni4-M12E-CD6L	4mm	Non-flush	DC NC	10...30VDC	≤100mA	800Hz	-25...70°C	2m cable	Fig.2
Ni5-M12E-OD6L	5mm	Non-flush	DC NO	10...30VDC	≤100mA	800Hz	-25...70°C	2m cable	Fig.2
Ni5-M12E-CD6L	5mm	Non-flush	DC NC	10...30VDC	≤100mA	800Hz	-25...70°C	2m cable	Fig.2
Fi2-M12E-OD6L-Q12	2mm	Flush	DC NO	10...30VDC	≤100mA	1000Hz	-25...70°C	M12 Connector	Fig.3
Fi2-M12E-CD6L-Q12	2mm	Flush	DC NC	10...30VDC	≤100mA	1000Hz	-25...70°C	M12 Connector	Fig.3
Ni4-M12E-OD6L-Q12	4mm	Non-flush	DC NO	10...30VDC	≤100mA	800Hz	-25...70°C	M12 Connector	Fig.4
Ni4-M12E-CD6L-Q12	4mm	Non-flush	DC NC	10...30VDC	≤100mA	800Hz	-25...70°C	M12 Connector	Fig.4
Ni5-M12E-OD6L-Q12	5mm	Non-flush	DC NO	10...30VDC	≤100mA	800Hz	-25...70°C	M12 Connector	Fig.4
Ni5-M12E-CD6L-Q12	5mm	Non-flush	DC NC	10...30VDC	≤100mA	800Hz	-25...70°C	M12 Connector	Fig.4

Dimensions:

Fig.1

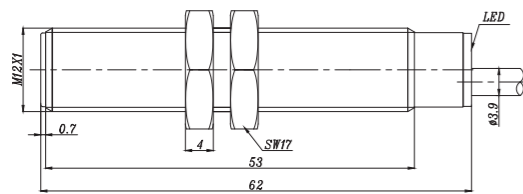


Fig.2

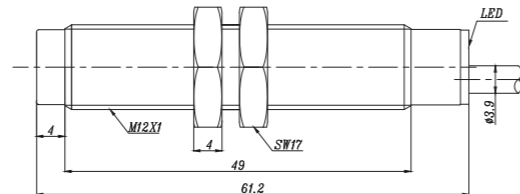


Fig.3

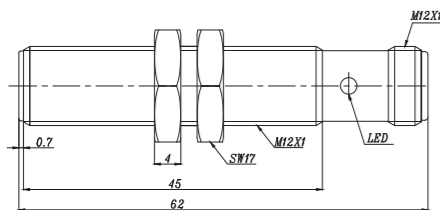
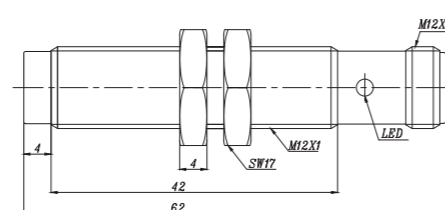


Fig.4



Metal Barrel-M12E (Long)



Description:

Brass nickel-plated, threaded barrel, DC 3-wire output, IP67 protection class, LED indicator, long size.

See the wiring diagram on page 231-233 for your reference.

Technical Data:

Type	Rated Operating Distance Sn	Mounting	Output	Voltage Range U _B	Rated Current	Switching Frequency	Ambient Temperature	Connection	Fig
Fi2-M12E-OP6L	2mm	Flush	PNP NO	10...30VDC	≤200mA	1000Hz	-25...70°C	2m cable	Fig.1
Fi2-M12E-ON6L	2mm	Flush	NPN NO	10...30VDC	≤200mA	1000Hz	-25...70°C	2m cable	Fig.1
Fi2-M12E-CP6L	2mm	Flush	PNP NC	10...30VDC	≤200mA	1000Hz	-25...70°C	2m cable	Fig.1
Fi2-M12E-CN6L	2mm	Flush	NPN NC	10...30VDC	≤200mA	1000Hz	-25...70°C	2m cable	Fig.1
Ni4-M12E-OP6L	4mm	Non-flush	PNP NO	10...30VDC	≤200mA	800Hz	-25...70°C	2m cable	Fig.2
Ni4-M12E-ON6L	4mm	Non-flush	NPN NO	10...30VDC	≤200mA	800Hz	-25...70°C	2m cable	Fig.2
Ni4-M12E-CP6L	4mm	Non-flush	PNP NC	10...30VDC	≤200mA	800Hz	-25...70°C	2m cable	Fig.2
Ni4-M12E-CN6L	4mm	Non-flush	NPN NC	10...30VDC	≤200mA	800Hz	-25...70°C	2m cable	Fig.2
Ni5-M12E-OP6L	5mm	Non-flush	PNP NO	10...30VDC	≤200mA	800Hz	-25...70°C	2m cable	Fig.2
Ni5-M12E-ON6L	5mm	Non-flush	NPN NO	10...30VDC	≤200mA	800Hz	-25...70°C	2m cable	Fig.2
Ni5-M12E-CP6L	5mm	Non-flush	PNP NC	10...30VDC	≤200mA	800Hz	-25...70°C	2m cable	Fig.2
Ni5-M12E-CN6L	5mm	Non-flush	NPN NC	10...30VDC	≤200mA	800Hz	-25...70°C	2m cable	Fig.2

Dimensions:

Fig.1

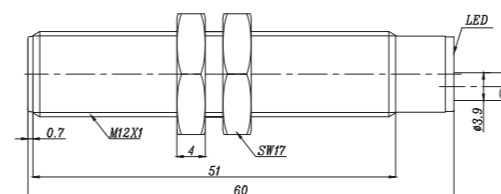
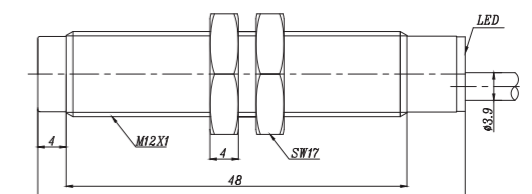


Fig.2



Metal Barrel-M12E (Long)

Metal Barrel-M12E (Long)



Description:

Brass nickel-plated, threaded barrel, DC 3-wire output, IP67 protection class, LED indicator, long size.

See the wiring diagram on page 231-233 for your reference.



Description:

Brass nickel-plated, threaded barrel, DC 4-wire output, IP67 protection class, LED indicator, long size.

See the wiring diagram on page 231-233 for your reference.

02

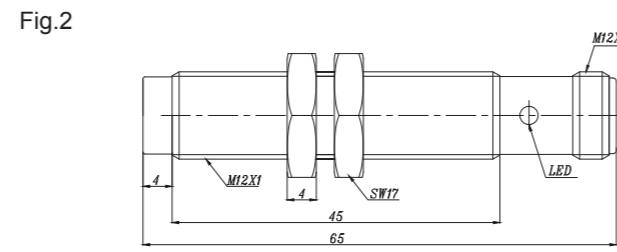
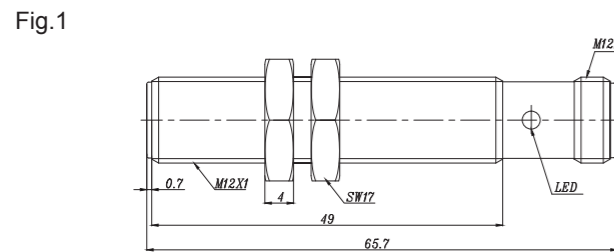
Technical Data:

Type	Rated Operating Distance Sn	Mounting	Output	Voltage Range U _B	Rated Current	Switching Frequency	Ambient Temperature	Connection	Fig
Fi2-M12E-OP6L-Q12	2mm	Flush	PNP NO	10...30VDC	≤200mA	1000Hz	-25...70°C	M12 Connector	Fig.1
Fi2-M12E-ON6L-Q12	2mm	Flush	NPN NO	10...30VDC	≤200mA	1000Hz	-25...70°C	M12 Connector	Fig.1
Fi2-M12E-CP6L-Q12	2mm	Flush	PNP NC	10...30VDC	≤200mA	1000Hz	-25...70°C	M12 Connector	Fig.1
Fi2-M12E-CN6L-Q12	2mm	Flush	NPN NC	10...30VDC	≤200mA	1000Hz	-25...70°C	M12 Connector	Fig.1
Ni4-M12E-OP6L-Q12	4mm	Non-flush	PNP NO	10...30VDC	≤200mA	800Hz	-25...70°C	M12 Connector	Fig.2
Ni4-M12E-ON6L-Q12	4mm	Non-flush	NPN NO	10...30VDC	≤200mA	800Hz	-25...70°C	M12 Connector	Fig.2
Ni4-M12E-CP6L-Q12	4mm	Non-flush	PNP NC	10...30VDC	≤200mA	800Hz	-25...70°C	M12 Connector	Fig.2
Ni4-M12E-CN6L-Q12	4mm	Non-flush	NPN NC	10...30VDC	≤200mA	800Hz	-25...70°C	M12 Connector	Fig.2
Ni5-M12E-OP6L-Q12	5mm	Non-flush	PNP NO	10...30VDC	≤200mA	800Hz	-25...70°C	M12 Connector	Fig.2
Ni5-M12E-ON6L-Q12	5mm	Non-flush	NPN NO	10...30VDC	≤200mA	800Hz	-25...70°C	M12 Connector	Fig.2
Ni5-M12E-CP6L-Q12	5mm	Non-flush	PNP NC	10...30VDC	≤200mA	800Hz	-25...70°C	M12 Connector	Fig.2
Ni5-M12E-CN6L-Q12	5mm	Non-flush	NPN NC	10...30VDC	≤200mA	800Hz	-25...70°C	M12 Connector	Fig.2

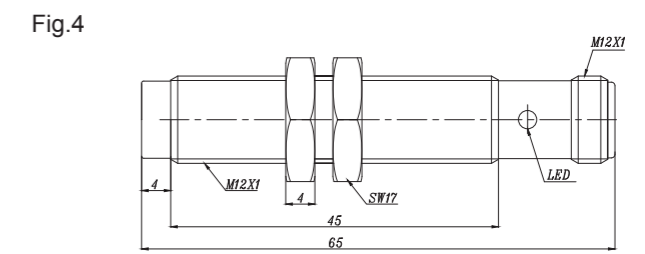
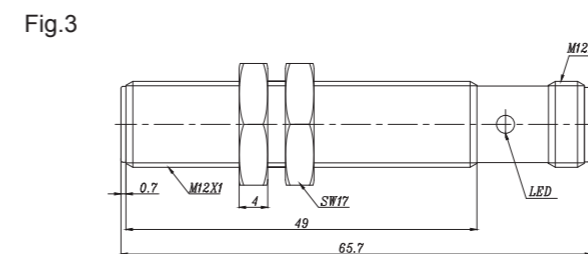
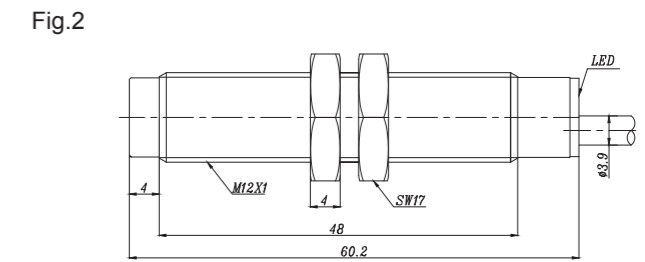
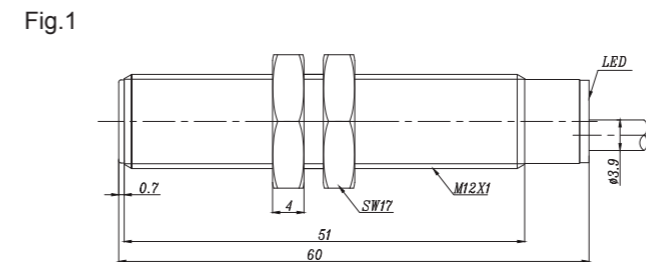
Technical Data:

Type	Rated Operating Distance Sn	Mounting	Output	Voltage Range U _B	Rated Current	Switching Frequency	Ambient Temperature	Connection	Fig
Fi2-M12E-BP6L	2mm	Flush	PNP NO+NC	10...30VDC	≤200mA	1000Hz	-25...70°C	2m cable	Fig.1
Fi2-M12E-BN6L	2mm	Flush	NPN NO+NC	10...30VDC	≤200mA	1000Hz	-25...70°C	2m cable	Fig.1
Ni4-M12E-BP6L	4mm	Non-flush	PNP NO+NC	10...30VDC	≤200mA	800Hz	-25...70°C	2m cable	Fig.2
Ni4-M12E-BN6L	4mm	Non-flush	NPN NO+NC	10...30VDC	≤200mA	800Hz	-25...70°C	2m cable	Fig.2
Ni5-M12E-BP6L	5mm	Non-flush	PNP NO+NC	10...30VDC	≤200mA	800Hz	-25...70°C	2m cable	Fig.2
Ni5-M12E-BN6L	5mm	Non-flush	NPN NO+NC	10...30VDC	≤200mA	800Hz	-25...70°C	2m cable	Fig.2
Fi2-M12E-BP6L-Q12	2mm	Flush	PNP NO+NC	10...30VDC	≤200mA	1000Hz	-25...70°C	M12 Connector	Fig.3
Fi2-M12E-BN6L-Q12	2mm	Flush	NPN NO+NC	10...30VDC	≤200mA	1000Hz	-25...70°C	M12 Connector	Fig.3
Ni4-M12E-BP6L-Q12	4mm	Non-flush	PNP NO+NC	10...30VDC	≤200mA	800Hz	-25...70°C	M12 Connector	Fig.4
Ni4-M12E-BN6L-Q12	4mm	Non-flush	NPN NO+NC	10...30VDC	≤200mA	800Hz	-25...70°C	M12 Connector	Fig.4
Ni5-M12E-BP6L-Q12	5mm	Non-flush	PNP NO+NC	10...30VDC	≤200mA	800Hz	-25...70°C	M12 Connector	Fig.4
Ni5-M12E-BN6L-Q12	5mm	Non-flush	NPN NO+NC	10...30VDC	≤200mA	800Hz	-25...70°C	M12 Connector	Fig.4

Dimensions:



Dimensions:



Metal Barrel-M12E (Long)

Metal Barrel-M12E (Long)



Description:

Brass nickel-plated, threaded barrel, AC 2-wire output, IP67 protection class, LED indicator, long size.

See the wiring diagram on page 231-233 for your reference.



Description:

Brass nickel-plated, threaded barrel, AC/DC 2-wire output, IP67 protection class, LED indicator, long size.

See the wiring diagram on page 231-233 for your reference.

Technical Data:

Type	Rated Operating Distance Sn	Mounting	Output	Voltage Range U _B	Rated Current	Switching Frequency	Ambient Temperature	Connection	Fig
Fi2-M12E-OSA3L	2mm	Flush	AC NO	20...250VAC	≤200mA	40Hz	-25...70°C	2m cable	Fig.1
Fi2-M12E-CSA3L	2mm	Flush	AC NC	20...250VAC	≤200mA	40Hz	-25...70°C	2m cable	Fig.1
Ni4-M12E-OSA3L	4mm	Non-flush	AC NO	20...250VAC	≤200mA	40Hz	-25...70°C	2m cable	Fig.2
Ni4-M12E-CSA3L	4mm	Non-flush	AC NC	20...250VAC	≤200mA	40Hz	-25...70°C	2m cable	Fig.2
Ni5-M12E-OSA3L	5mm	Non-flush	AC NO	20...250VAC	≤200mA	40Hz	-25...70°C	2m cable	Fig.2
Ni5-M12E-CSA3L	5mm	Non-flush	AC NC	20...250VAC	≤200mA	40Hz	-25...70°C	2m cable	Fig.2
Fi2-M12E-OSA3L-Q12	2mm	Flush	AC NO	20...250VAC	≤200mA	40Hz	-25...70°C	M12 Connector	Fig.3
Fi2-M12E-CSA3L-Q12	2mm	Flush	AC NC	20...250VAC	≤200mA	40Hz	-25...70°C	M12 Connector	Fig.3
Ni4-M12E-OSA3L-Q12	4mm	Non-flush	AC NO	20...250VAC	≤200mA	40Hz	-25...70°C	M12 Connector	Fig.4
Ni4-M12E-CSA3L-Q12	4mm	Non-flush	AC NC	20...250VAC	≤200mA	40Hz	-25...70°C	M12 Connector	Fig.4
Ni5-M12E-OSA3L-Q12	5mm	Non-flush	AC NO	20...250VAC	≤200mA	40Hz	-25...70°C	M12 Connector	Fig.4
Ni5-M12E-CSA3L-Q12	5mm	Non-flush	AC NC	20...250VAC	≤200mA	40Hz	-25...70°C	M12 Connector	Fig.4

Technical Data:

Type	Rated Operating Distance Sn	Mounting	Output	Voltage Range U _B	Rated Current	Switching Frequency	Ambient Temperature	Connection	Fig
Fi2-M12E-OA41L	2mm	Flush	DC/AC NO	20...250VAC/DC	DC≤100mA/AC≤200mA	40Hz	-25...70°C	2m cable	Fig.1
Fi2-M12E-CA41L	2mm	Flush	DC/AC NC	20...250VAC/DC	DC≤100mA/AC≤200mA	40Hz	-25...70°C	2m cable	Fig.1
Ni4-M12E-OA41L	4mm	Non-flush	DC/AC NO	20...250VAC/DC	DC≤100mA/AC≤200mA	40Hz	-25...70°C	2m cable	Fig.2
Ni4-M12E-CA41L	4mm	Non-flush	DC/AC NC	20...250VAC/DC	DC≤100mA/AC≤200mA	40Hz	-25...70°C	2m cable	Fig.2
Ni5-M12E-OA41L	5mm	Non-flush	DC/AC NO	20...250VAC/DC	DC≤100mA/AC≤200mA	40Hz	-25...70°C	2m cable	Fig.2
Ni5-M12E-CA41L	5mm	Non-flush	DC/AC NC	20...250VAC/DC	DC≤100mA/AC≤200mA	40Hz	-25...70°C	2m cable	Fig.2
Fi2-M12E-OA41L-Q12	2mm	Flush	DC/AC NO	20...250VAC/DC	DC≤100mA/AC≤200mA	40Hz	-25...70°C	M12 Connector	Fig.3
Fi2-M12E-CA41L-Q12	2mm	Flush	DC/AC NC	20...250VAC/DC	DC≤100mA/AC≤200mA	40Hz	-25...70°C	M12 Connector	Fig.3
Ni4-M12E-OA41L-Q12	4mm	Non-flush	DC/AC NO	20...250VAC/DC	DC≤100mA/AC≤200mA	40Hz	-25...70°C	M12 Connector	Fig.4
Ni4-M12E-CA41L-Q12	4mm	Non-flush	DC/AC NC	20...250VAC/DC	DC≤100mA/AC≤200mA	40Hz	-25...70°C	M12 Connector	Fig.4
Ni5-M12E-OA41L-Q12	5mm	Non-flush	DC/AC NO	20...250VAC/DC	DC≤100mA/AC≤200mA	40Hz	-25...70°C	M12 Connector	Fig.4
Ni5-M12E-CA41L-Q12	5mm	Non-flush	DC/AC NC	20...250VAC/DC	DC≤100mA/AC≤200mA	40Hz	-25...70°C	M12 Connector	Fig.4

Dimensions:

Fig.1

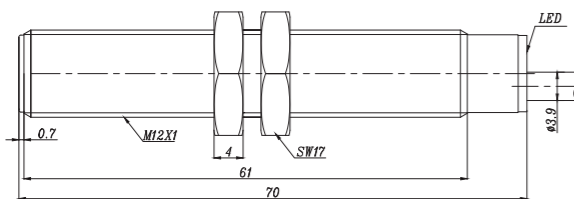


Fig.2

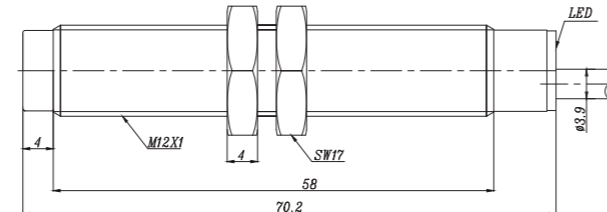


Fig.3

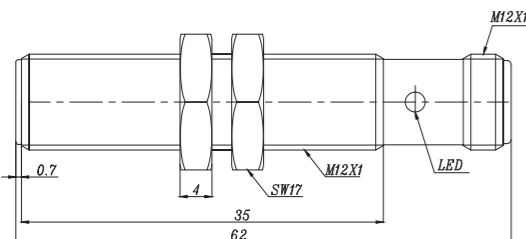
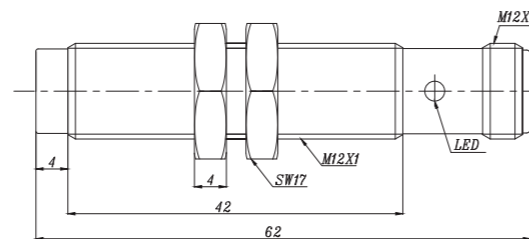


Fig.4



Dimensions:

Fig.1

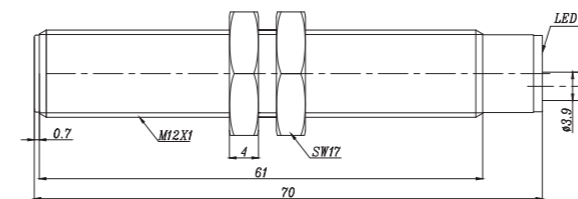


Fig.2

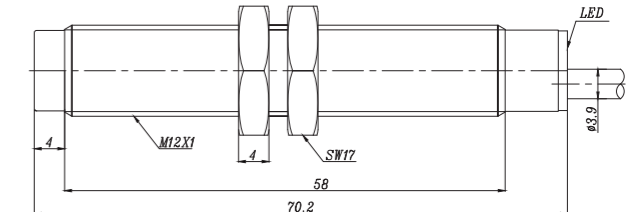


Fig.3

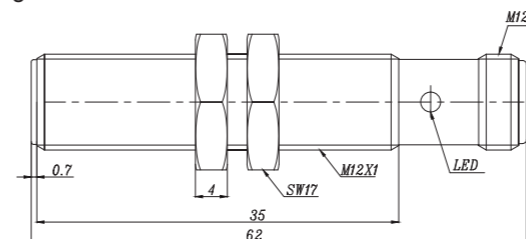
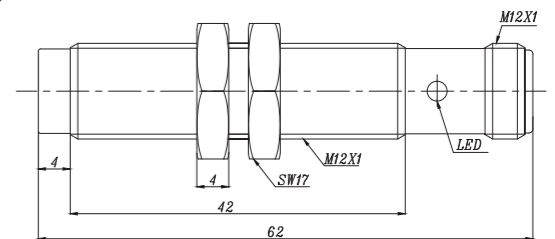


Fig.4



Metal Barrel-M18



Description:

Brass nickel-plated, threaded barrel, DC 2-wire output, IP67 protection class, LED indicator.

See the wiring diagram on page 231-233 for your reference.

Technical Data:

Type	Rated Operating Distance Sn	Mounting	Output	Voltage Range U _B	Rated Current	Switching Frequency	Ambient Temperature	Connection	Fig
Fi5-M18-OD6L	5mm	Flush	DC NO	10...30VDC	≤100mA	800Hz	-25...70°C	2m cable	Fig.1
Fi5-M18-CD6L	5mm	Flush	DC NC	10...30VDC	≤100mA	800Hz	-25...70°C	2m cable	Fig.1
Ni8-M18-OD6L	8mm	Non-flush	DC NO	10...30VDC	≤100mA	500Hz	-25...70°C	2m cable	Fig.2
Ni8-M18-CD6L	8mm	Non-flush	DC NC	10...30VDC	≤100mA	500Hz	-25...70°C	2m cable	Fig.2
Fi5-M18-OD6L-Q12	5mm	Flush	DC NO	10...30VDC	≤100mA	800Hz	-25...70°C	M12 Connector	Fig.3
Fi5-M18-CD6L-Q12	5mm	Flush	DC NC	10...30VDC	≤100mA	800Hz	-25...70°C	M12 Connector	Fig.3
Ni8-M18-OD6L-Q12	8mm	Non-flush	DC NO	10...30VDC	≤100mA	500Hz	-25...70°C	M12 Connector	Fig.4
Ni8-M18-CD6L-Q12	8mm	Non-flush	DC NC	10...30VDC	≤100mA	500Hz	-25...70°C	M12 Connector	Fig.4

Dimensions:

Fig.1

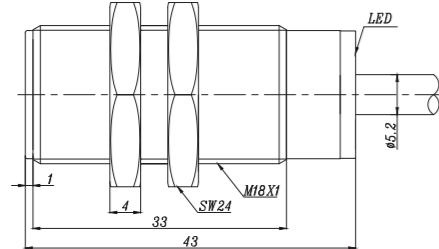


Fig.2

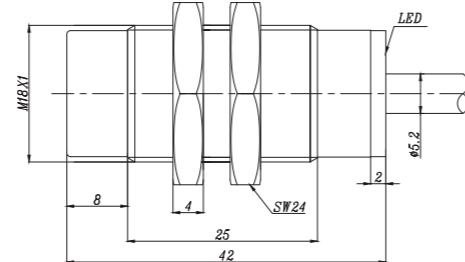


Fig.3

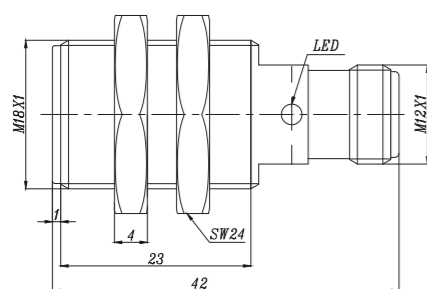
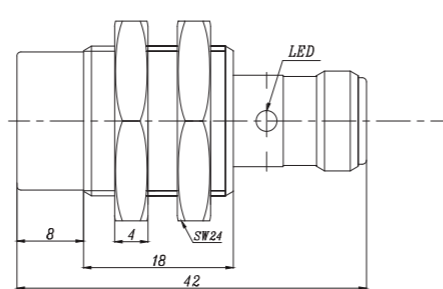


Fig.4



Metal Barrel-M18



Description:

Brass nickel-plated, threaded barrel, DC 3-wire output, IP67 protection class, LED indicator.

See the wiring diagram on page 231-233 for your reference.

Technical Data:

Type	Rated Operating Distance Sn	Mounting	Output	Voltage Range U _B	Rated Current	Switching Frequency	Ambient Temperature	Connection	Fig
Fi5-M18-OP6L	5mm	Flush	PNP NO	10...30VDC	≤200mA	800Hz	-25...70°C	2m cable	Fig.1
Fi5-M18-ON6L	5mm	Flush	NPN NO	10...30VDC	≤200mA	800Hz	-25...70°C	2m cable	Fig.1
Fi5-M18-CP6L	5mm	Flush	PNP NC	10...30VDC	≤200mA	800Hz	-25...70°C	2m cable	Fig.1
Fi5-M18-CN6L	5mm	Flush	NPN NC	10...30VDC	≤200mA	800Hz	-25...70°C	2m cable	Fig.1
Ni8-M18-OP6L	8mm	Non-flush	PNP NO	10...30VDC	≤200mA	500Hz	-25...70°C	2m cable	Fig.2
Ni8-M18-ON6L	8mm	Non-flush	NPN NO	10...30VDC	≤200mA	500Hz	-25...70°C	2m cable	Fig.2
Ni8-M18-CP6L	8mm	Non-flush	PNP NC	10...30VDC	≤200mA	500Hz	-25...70°C	2m cable	Fig.2
Ni8-M18-CN6L	8mm	Non-flush	NPN NC	10...30VDC	≤200mA	500Hz	-25...70°C	2m cable	Fig.2
Fi5-M18-OP6L-Q12	5mm	Flush	PNP NO	10...30VDC	≤200mA	800Hz	-25...70°C	M12 Connector	Fig.3
Fi5-M18-ON6L-Q12	5mm	Flush	NPN NO	10...30VDC	≤200mA	800Hz	-25...70°C	M12 Connector	Fig.3
Fi5-M18-CP6L-Q12	5mm	Flush	PNP NC	10...30VDC	≤200mA	800Hz	-25...70°C	M12 Connector	Fig.3
Fi5-M18-CN6L-Q12	5mm	Flush	NPN NC	10...30VDC	≤200mA	800Hz	-25...70°C	M12 Connector	Fig.3
Ni8-M18-OP6L-Q12	8mm	Non-flush	PNP NO	10...30VDC	≤200mA	500Hz	-25...70°C	M12 Connector	Fig.4
Ni8-M18-ON6L-Q12	8mm	Non-flush	NPN NO	10...30VDC	≤200mA	500Hz	-25...70°C	M12 Connector	Fig.4
Ni8-M18-CP6L-Q12	8mm	Non-flush	PNP NC	10...30VDC	≤200mA	500Hz	-25...70°C	M12 Connector	Fig.4
Ni8-M18-CN6L-Q12	8mm	Non-flush	NPN NC	10...30VDC	≤200mA	500Hz	-25...70°C	M12 Connector	Fig.4

Dimensions:

Fig.1

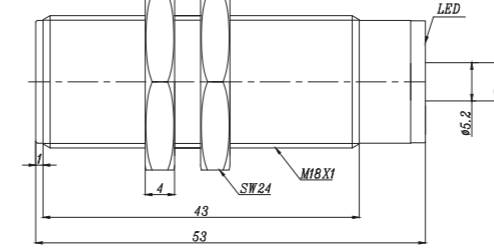


Fig.2

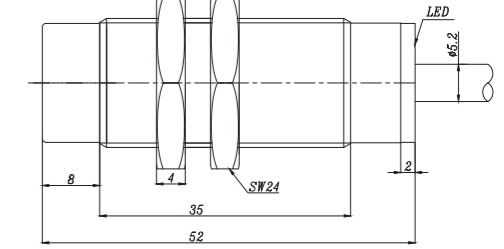


Fig.3

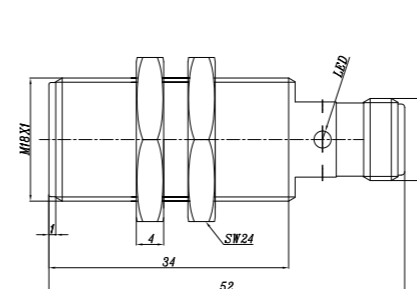
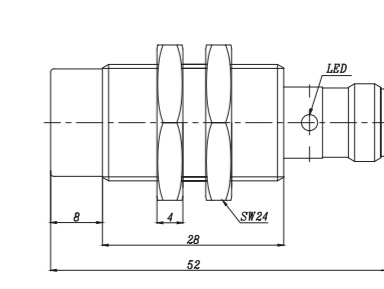


Fig.4



Metal Barrel-M18



Description:

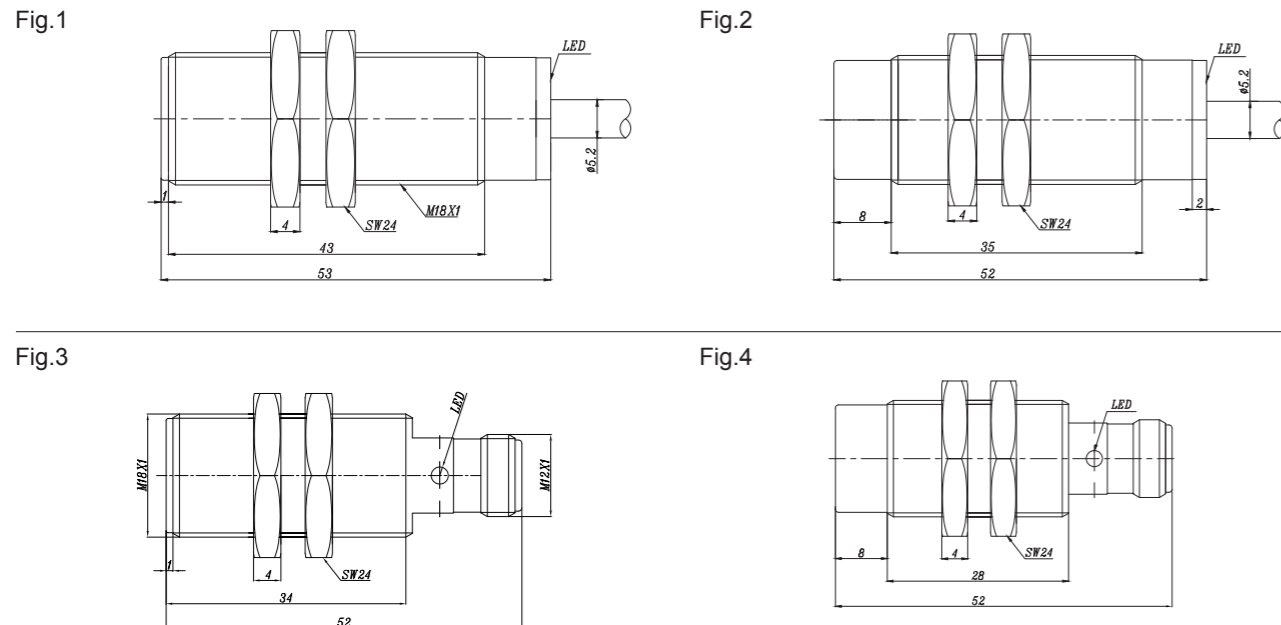
Brass nickel-plated, threaded barrel, DC 4-wire output, IP67 protection class, LED indicator.

See the wiring diagram on page 231-233 for your reference.

Technical Data:

Type	Rated Operating Distance Sn	Mounting	Output	Voltage Range U _B	Rated Current	Switching Frequency	Ambient Temperature	Connection	Fig
Fi5-M18-BP6L	5mm	Flush	PNP NO+NC	10...30VDC	≤200mA	800Hz	-25...70°C	2m cable	Fig.1
Fi5-M18-BN6L	5mm	Flush	NPN NO+NC	10...30VDC	≤200mA	800Hz	-25...70°C	2m cable	Fig.1
Ni8-M18-BP6L	8mm	Non-flush	PNP NO+NC	10...30VDC	≤200mA	500Hz	-25...70°C	2m cable	Fig.2
Ni8-M18-BN6L	8mm	Non-flush	NPN NO+NC	10...30VDC	≤200mA	500Hz	-25...70°C	2m cable	Fig.2
Fi5-M18-BP6L-Q12	5mm	Flush	PNP NO+NC	10...30VDC	≤200mA	800Hz	-25...70°C	M12 Connector	Fig.3
Fi5-M18-BN6L-Q12	5mm	Flush	NPN NO+NC	10...30VDC	≤200mA	800Hz	-25...70°C	M12 Connector	Fig.3
Ni8-M18-BP6L-Q12	8mm	Non-flush	PNP NO+NC	10...30VDC	≤200mA	500Hz	-25...70°C	M12 Connector	Fig.4
Ni8-M18-BN6L-Q12	8mm	Non-flush	NPN NO+NC	10...30VDC	≤200mA	500Hz	-25...70°C	M12 Connector	Fig.4

Dimensions:



Metal Barrel-M18



Description:

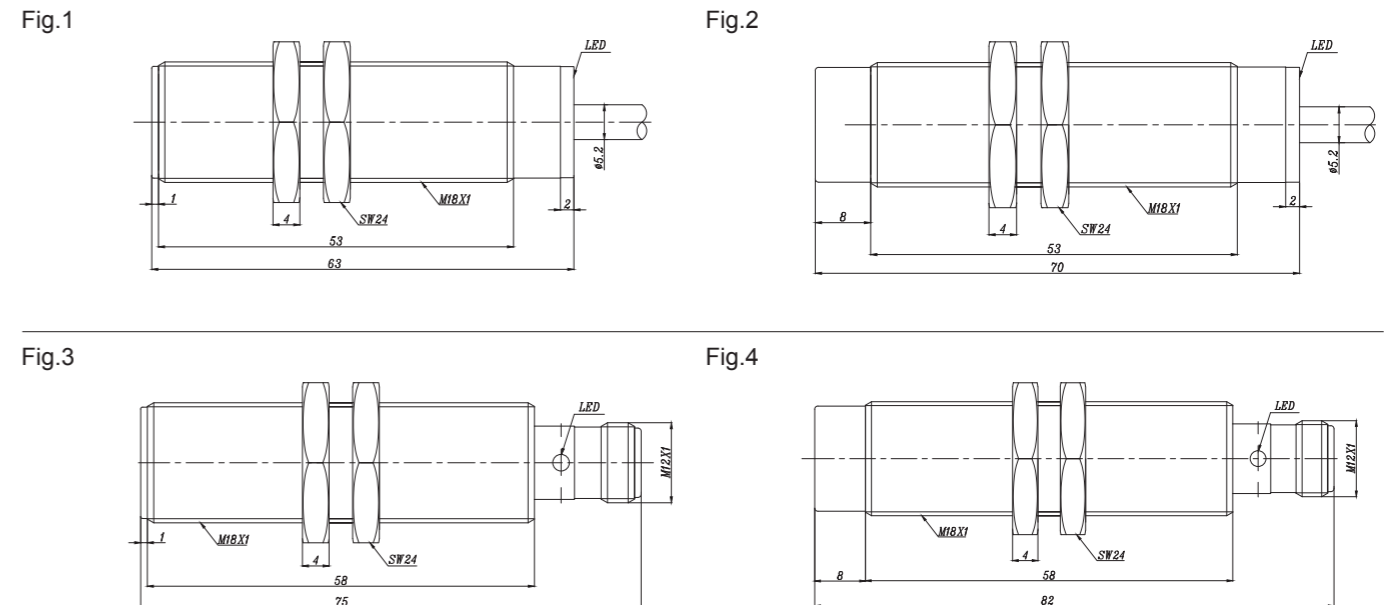
Brass nickel-plated, threaded barrel, AC 2-wire output, IP67 protection class, LED indicator.

See the wiring diagram on page 231-233 for your reference.

Technical Data:

Type	Rated Operating Distance Sn	Mounting	Output	Voltage Range U _B	Rated Current	Switching Frequency	Ambient Temperature	Connection	Fig
Fi5-M18-OSA3L	5mm	Flush	AC NO	20...250VAC	≤200mA	40Hz	-25...70°C	2m cable	Fig.1
Fi5-M18-CSA3L	5mm	Flush	AC NC	20...250VAC	≤200mA	40Hz	-25...70°C	2m cable	Fig.1
Ni8-M18-OSA3L	8mm	Non-flush	AC NO	20...250VAC	≤200mA	40Hz	-25...70°C	2m cable	Fig.2
Ni8-M18-CSA3L	8mm	Non-flush	AC NC	20...250VAC	≤200mA	40Hz	-25...70°C	2m cable	Fig.2
Fi5-M18-OSA3L-Q12	5mm	Flush	AC NO	20...250VAC	≤200mA	40Hz	-25...70°C	M12 Connector	Fig.3
Fi5-M18-CSA3L-Q12	5mm	Flush	AC NC	20...250VAC	≤200mA	40Hz	-25...70°C	M12 Connector	Fig.3
Ni8-M18-OSA3L-Q12	8mm	Non-flush	AC NO	20...250VAC	≤200mA	40Hz	-25...70°C	M12 Connector	Fig.4
Ni8-M18-CSA3L-Q12	8mm	Non-flush	AC NC	20...250VAC	≤200mA	40Hz	-25...70°C	M12 Connector	Fig.4

Dimensions:



Metal Barrel-M18



Description:

Brass nickel-plated, threaded barrel, AC/DC 2-wire output, IP67 protection class, LED indicator.

See the wiring diagram on page 231-233 for your reference.

Metal Barrel-M18S(Short)



Description:

Brass nickel-plated, threaded barrel, DC 2-wire output, IP67 protection class, LED indicator, short size.

See the wiring diagram on page 231-233 for your reference.

02

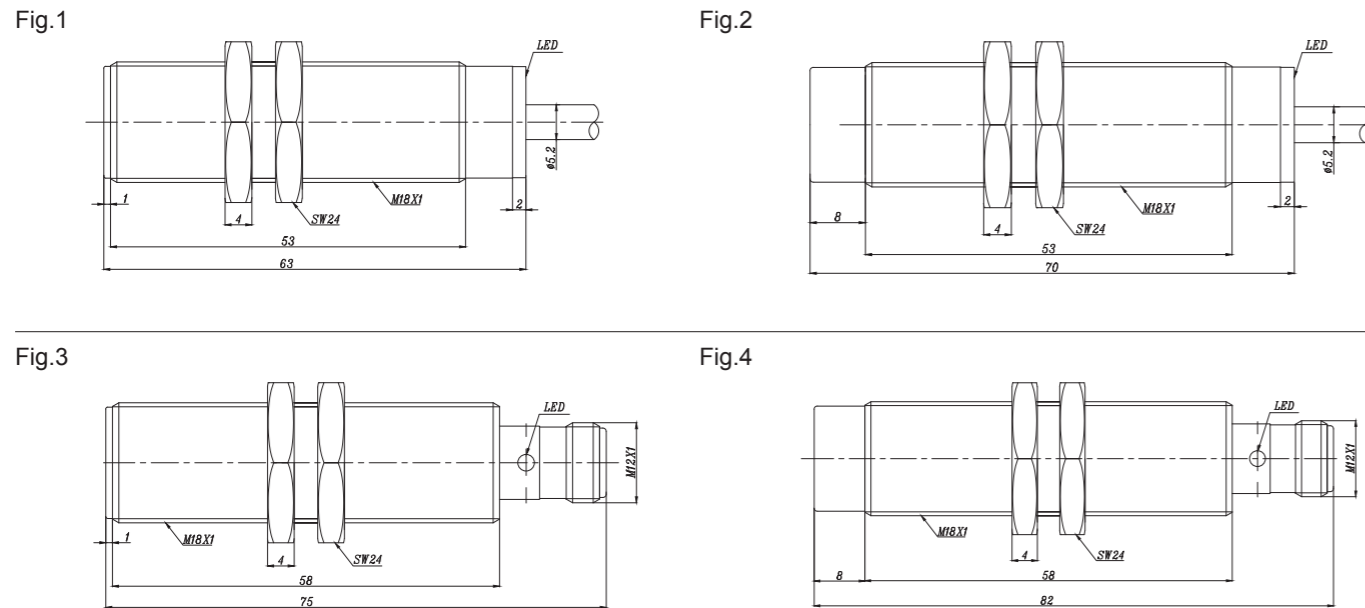
Technical Data:

Type	Rated Operating Distance Sn	Mounting	Output	Voltage Range U _s	Rated Current	Switching Frequency	Ambient Temperature	Connection	Fig
Fi5-M18-OA41L	5mm	Flush	DC/AC NO	20...250VAC/DC	DC≤100mA/AC≤200mA	40Hz	-25...70°C	2m cable	Fig.1
Fi5-M18-CA41L	5mm	Flush	DC/AC NC	20...250VAC/DC	DC≤100mA/AC≤200mA	40Hz	-25...70°C	2m cable	Fig.1
Ni8-M18-OA41L	8mm	Non-flush	DC/AC NO	20...250VAC/DC	DC≤100mA/AC≤200mA	40Hz	-25...70°C	2m cable	Fig.2
Ni8-M18-CA41L	8mm	Non-flush	DC/AC NC	20...250VAC/DC	DC≤100mA/AC≤200mA	40Hz	-25...70°C	2m cable	Fig.2
Fi5-M18-OA41L-Q12	5mm	Flush	DC/AC NO	20...250VAC/DC	DC≤100mA/AC≤200mA	40Hz	-25...70°C	M12 Connector	Fig.3
Fi5-M18-CA41L-Q12	5mm	Flush	DC/AC NC	20...250VAC/DC	DC≤100mA/AC≤200mA	40Hz	-25...70°C	M12 Connector	Fig.3
Ni8-M18-OA41L-Q12	8mm	Non-flush	DC/AC NO	20...250VAC/DC	DC≤100mA/AC≤200mA	40Hz	-25...70°C	M12 Connector	Fig.4
Ni8-M18-CA41L-Q12	8mm	Non-flush	DC/AC NC	20...250VAC/DC	DC≤100mA/AC≤200mA	40Hz	-25...70°C	M12 Connector	Fig.4

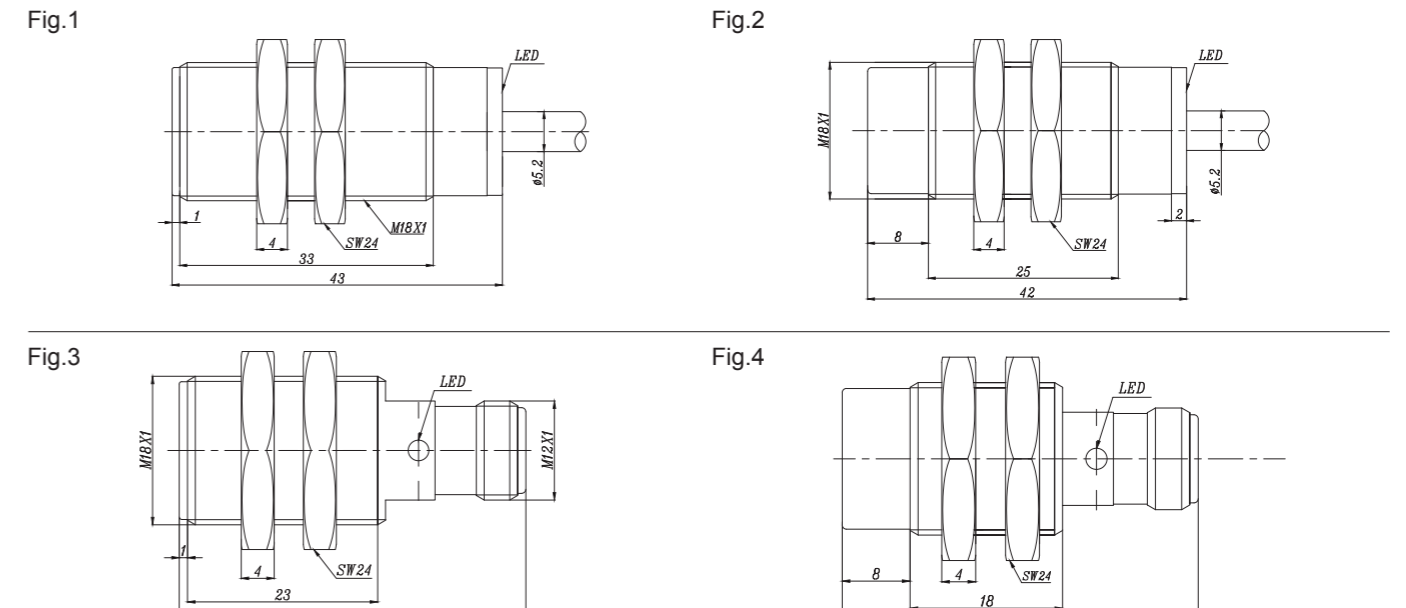
Technical Data:

Type	Rated Operating Distance Sn	Mounting	Output	Voltage Range U _s	Rated Current	Switching Frequency	Ambient Temperature	Connection	Fig
Fi5-M18S-OD6L	5mm	Flush	DC NO	10...30VDC	≤200mA	800Hz	-25...70°C	2m cable	Fig.1
Fi5-M18S-CD6L	5mm	Flush	DC NC	10...30VDC	≤200mA	800Hz	-25...70°C	2m cable	Fig.1
Ni8-M18S-OD6L	8mm	Non-flush	DC NO	10...30VDC	≤200mA	500Hz	-25...70°C	2m cable	Fig.2
Ni8-M18S-CD6L	8mm	Non-flush	DC NC	10...30VDC	≤200mA	500Hz	-25...70°C	2m cable	Fig.2
Fi5-M18S-OD6L-Q12	5mm	Flush	DC NO	10...30VDC	≤200mA	800Hz	-25...70°C	M12 Connector	Fig.3
Fi5-M18S-CD6L-Q12	5mm	Flush	DC NC	10...30VDC	≤200mA	800Hz	-25...70°C	M12 Connector	Fig.3
Ni8-M18S-OD6L-Q12	8mm	Non-flush	DC NO	10...30VDC	≤200mA	500Hz	-25...70°C	M12 Connector	Fig.4
Ni8-M18S-CD6L-Q12	8mm	Non-flush	DC NC	10...30VDC	≤200mA	500Hz	-25...70°C	M12 Connector	Fig.4

Dimensions:



Dimensions:





Description:

Brass nickel-plated, threaded barrel, DC 3-wire output, IP67 protection class, LED indicator, short size.

See the wiring diagram on page 231-233 for your reference.

Technical Data:

Type	Rated Operating Distance Sn	Mounting	Output	Voltage Range U _B	Rated Current	Switching Frequency	Ambient Temperature	Connection	Fig
Fi5-M18S-OP6L	5mm	Flush	PNP NO	10...30VDC	≤200mA	800Hz	-25...70°C	2m cable	Fig.1
Fi5-M18S-ON6L	5mm	Flush	NPN NO	10...30VDC	≤200mA	800Hz	-25...70°C	2m cable	Fig.1
Fi5-M18S-CP6L	5mm	Flush	PNP NC	10...30VDC	≤200mA	800Hz	-25...70°C	2m cable	Fig.1
Fi5-M18S-CN6L	5mm	Flush	NPN NC	10...30VDC	≤200mA	800Hz	-25...70°C	2m cable	Fig.1
Ni8-M18S-OP6L	8mm	Non-flush	PNP NO	10...30VDC	≤200mA	500Hz	-25...70°C	2m cable	Fig.2
Ni8-M18S-ON6L	8mm	Non-flush	NPN NO	10...30VDC	≤200mA	500Hz	-25...70°C	2m cable	Fig.2
Ni8-M18S-CP6L	8mm	Non-flush	PNP NC	10...30VDC	≤200mA	500Hz	-25...70°C	2m cable	Fig.2
Ni8-M18S-CN6L	8mm	Non-flush	NPN NC	10...30VDC	≤200mA	500Hz	-25...70°C	2m cable	Fig.2
Fi5-M18S-OP6L-Q12	5mm	Flush	PNP NO	10...30VDC	≤200mA	800Hz	-25...70°C	M12 Connector	Fig.3
Fi5-M18S-ON6L-Q12	5mm	Flush	NPN NO	10...30VDC	≤200mA	800Hz	-25...70°C	M12 Connector	Fig.3
Fi5-M18S-CP6L-Q12	5mm	Flush	PNP NC	10...30VDC	≤200mA	800Hz	-25...70°C	M12 Connector	Fig.3
Fi5-M18S-CN6L-Q12	5mm	Flush	NPN NC	10...30VDC	≤200mA	800Hz	-25...70°C	M12 Connector	Fig.3
Ni8-M18S-OP6L-Q12	8mm	Non-flush	PNP NO	10...30VDC	≤200mA	500Hz	-25...70°C	M12 Connector	Fig.4
Ni8-M18S-ON6L-Q12	8mm	Non-flush	NPN NO	10...30VDC	≤200mA	500Hz	-25...70°C	M12 Connector	Fig.4
Ni8-M18S-CP6L-Q12	8mm	Non-flush	PNP NC	10...30VDC	≤200mA	500Hz	-25...70°C	M12 Connector	Fig.4
Ni8-M18S-CN6L-Q12	8mm	Non-flush	NPN NC	10...30VDC	≤200mA	500Hz	-25...70°C	M12 Connector	Fig.4

Dimensions:

Fig.1

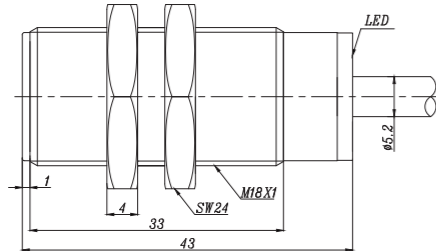


Fig.2

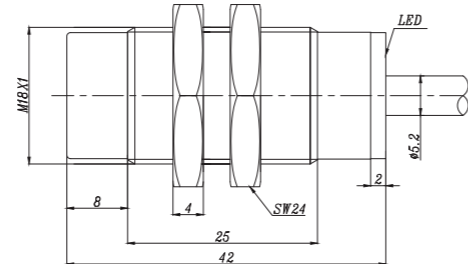


Fig.3

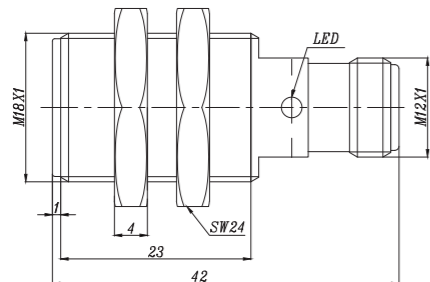
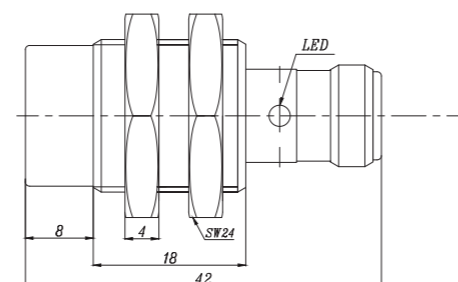


Fig.4



Description:

Brass nickel-plated, threaded barrel, DC 4-wire output, IP67 protection class, LED indicator, short size.

See the wiring diagram on page 231-233 for your reference.

Technical Data:

Type	Rated Operating Distance Sn	Mounting	Output	Voltage Range U _B	Rated Current	Switching Frequency	Ambient Temperature	Connection	Fig
Fi5-M18S-BP6L	5mm	Flush	PNP NO+NC	10...30VDC	≤200mA	800Hz	-25...70°C	2m cable	Fig.1
Fi5-M18S-BN6L	5mm	Flush	NPN NO+NC	10...30VDC	≤200mA	800Hz	-25...70°C	2m cable	Fig.1
Ni8-M18S-BP6L	8mm	Non-flush	PNP NO+NC	10...30VDC	≤200mA	500Hz	-25...70°C	2m cable	Fig.2
Ni8-M18S-BN6L	8mm	Non-flush	NPN NO+NC	10...30VDC	≤200mA	500Hz	-25...70°C	2m cable	Fig.2
Fi5-M18S-BP6L-Q12	5mm	Flush	PNP NO+NC	10...30VDC	≤200mA	800Hz	-25...70°C	M12 Connector	Fig.3
Fi5-M18S-BN6L-Q12	5mm	Flush	NPN NO+NC	10...30VDC	≤200mA	800Hz	-25...70°C	M12 Connector	Fig.3
Ni8-M18S-BP6L-Q12	8mm	Non-flush	PNP NO+NC	10...30VDC	≤200mA	500Hz	-25...70°C	M12 Connector	Fig.4
Ni8-M18S-BN6L-Q12	8mm	Non-flush	NPN NO+NC	10...30VDC	≤200mA	500Hz	-25...70°C	M12 Connector	Fig.4

Dimensions:

Fig.1

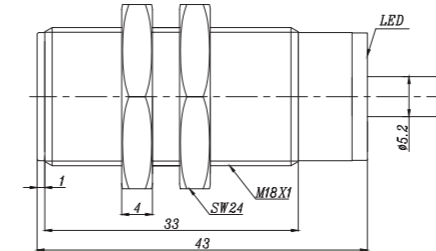


Fig.2

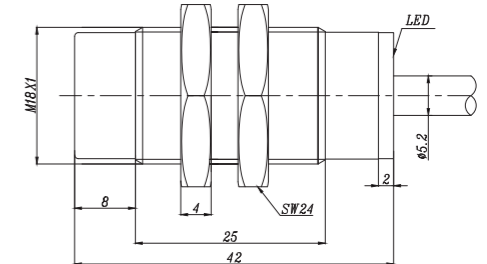


Fig.3

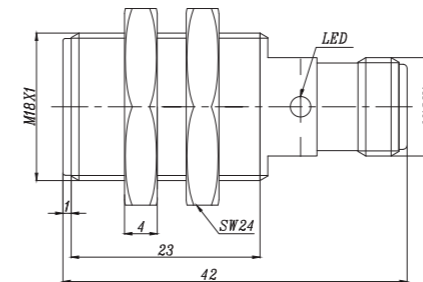
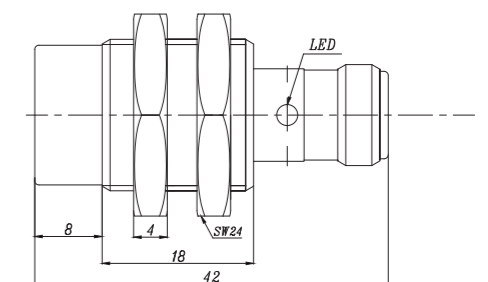


Fig.4



Metal Barrel-M18E(Extended)



Description:

Brass nickel-plated, threaded barrel, DC 2-wire output, IP67 protection class, LED indicator, long size.

See the wiring diagram on page 231-233 for your reference.

Metal Barrel-M18E(Extended)



Description:

Brass nickel-plated, threaded barrel, DC 3-wire output, IP67 protection class, LED indicator, long size.

See the wiring diagram on page 231-233 for your reference.

02

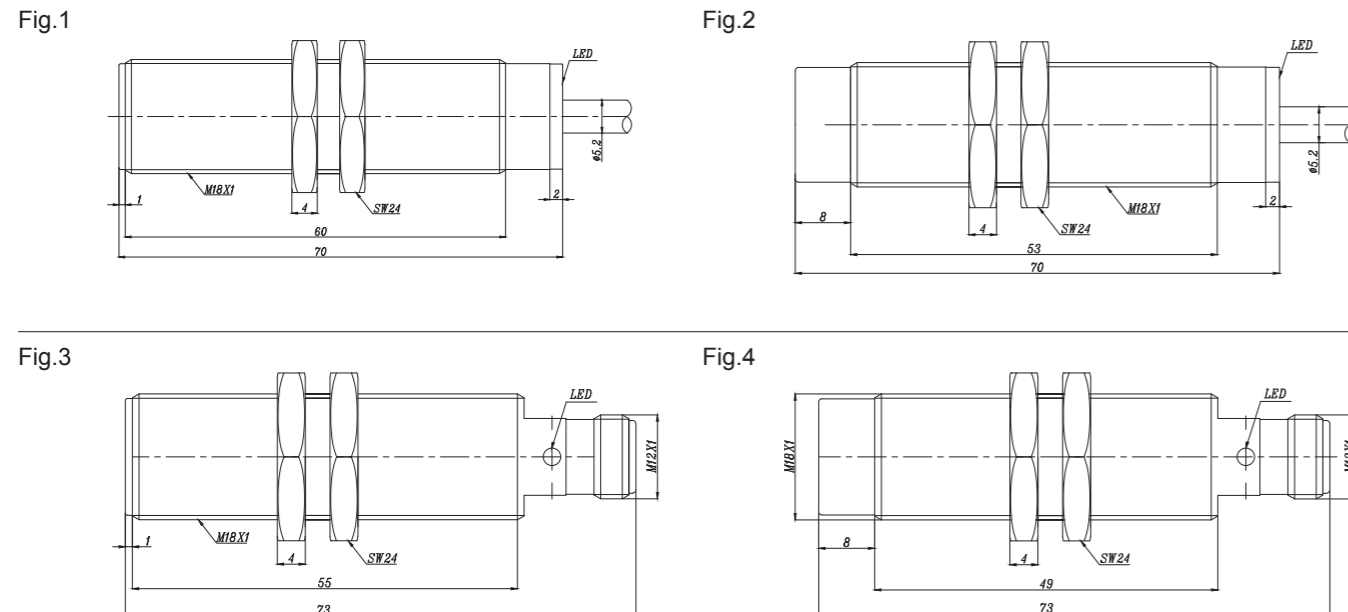
Technical Data:

Type	Rated Operating Distance Sn	Mounting	Output	Voltage Range U _B	Rated Current	Switching Frequency	Ambient Temperature	Connection	Fig
Fi5-M18E-OD6L	5mm	Flush	DC NO	10...30VDC	≤100mA	800Hz	-25...70°C	2m cable	Fig.1
Fi5-M18E-CD6L	5mm	Flush	DC NC	10...30VDC	≤100mA	800Hz	-25...70°C	2m cable	Fig.1
Ni8-M18E-OD6L	8mm	Non-flush	DC NO	10...30VDC	≤100mA	500Hz	-25...70°C	2m cable	Fig.2
Ni8-M18E-CD6L	8mm	Non-flush	DC NC	10...30VDC	≤100mA	500Hz	-25...70°C	2m cable	Fig.2
Fi5-M18E-OD6L-Q12	5mm	Flush	DC NO	10...30VDC	≤100mA	800Hz	-25...70°C	M12 Connector	Fig.3
Fi5-M18E-CD6L-Q12	5mm	Flush	DC NC	10...30VDC	≤100mA	800Hz	-25...70°C	M12 Connector	Fig.3
Ni8-M18E-OD6L-Q12	8mm	Non-flush	DC NO	10...30VDC	≤100mA	500Hz	-25...70°C	M12 Connector	Fig.4
Ni8-M18E-CD6L-Q12	8mm	Non-flush	DC NC	10...30VDC	≤100mA	500Hz	-25...70°C	M12 Connector	Fig.4

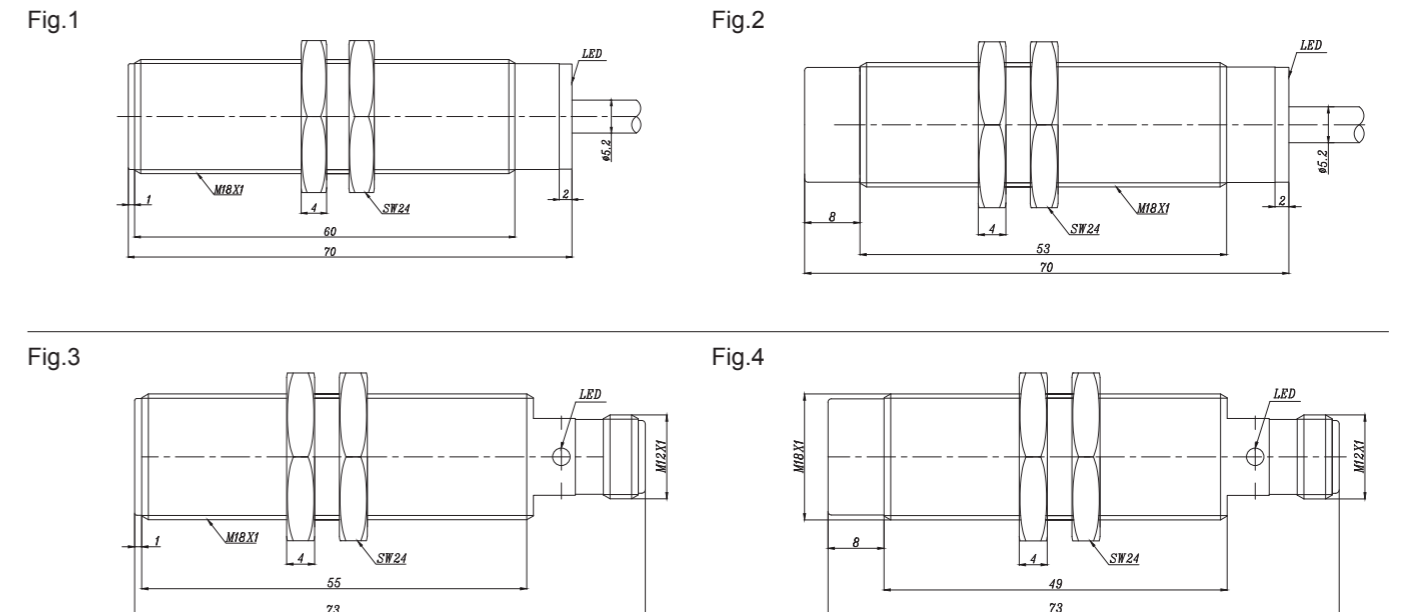
Technical Data:

Type	Rated Operating Distance Sn	Mounting	Output	Voltage Range U _B	Rated Current	Switching Frequency	Ambient Temperature	Connection	Fig
Fi5-M18E-OP6L	5mm	Flush	PNP NO	10...30VDC	≤200mA	800Hz	-25...70°C	2m cable	Fig.1
Fi5-M18E-ON6L	5mm	Flush	NPN NO	10...30VDC	≤200mA	800Hz	-25...70°C	2m cable	Fig.1
Fi5-M18E-CP6L	5mm	Flush	PNP NC	10...30VDC	≤200mA	800Hz	-25...70°C	2m cable	Fig.1
Fi5-M18E-CN6L	5mm	Flush	NPN NC	10...30VDC	≤200mA	800Hz	-25...70°C	2m cable	Fig.1
Ni8-M18E-OP6L	8mm	Non-flush	PNP NO	10...30VDC	≤200mA	500Hz	-25...70°C	2m cable	Fig.2
Ni8-M18E-ON6L	8mm	Non-flush	NPN NO	10...30VDC	≤200mA	500Hz	-25...70°C	2m cable	Fig.2
Ni8-M18E-CP6L	8mm	Non-flush	PNP NC	10...30VDC	≤200mA	500Hz	-25...70°C	2m cable	Fig.2
Ni8-M18E-CN6L	8mm	Non-flush	NPN NC	10...30VDC	≤200mA	500Hz	-25...70°C	2m cable	Fig.2
Fi5-M18E-OP6L-Q12	5mm	Flush	PNP NO	10...30VDC	≤200mA	800Hz	-25...70°C	M12 Connector	Fig.3
Fi5-M18E-ON6L-Q12	5mm	Flush	NPN NO	10...30VDC	≤200mA	800Hz	-25...70°C	M12 Connector	Fig.3
Fi5-M18E-CP6L-Q12	5mm	Flush	PNP NC	10...30VDC	≤200mA	800Hz	-25...70°C	M12 Connector	Fig.3
Fi5-M18E-CN6L-Q12	5mm	Flush	NPN NC	10...30VDC	≤200mA	800Hz	-25...70°C	M12 Connector	Fig.3
Ni8-M18E-OP6L-Q12	8mm	Non-flush	PNP NO	10...30VDC	≤200mA	500Hz	-25...70°C	M12 Connector	Fig.4
Ni8-M18E-ON6L-Q12	8mm	Non-flush	NPN NO	10...30VDC	≤200mA	500Hz	-25...70°C	M12 Connector	Fig.4
Ni8-M18E-CP6L-Q12	8mm	Non-flush	PNP NC	10...30VDC	≤200mA	500Hz	-25...70°C	M12 Connector	Fig.4
Ni8-M18E-CN6L-Q12	8mm	Non-flush	NPN NC	10...30VDC	≤200mA	500Hz	-25...70°C	M12 Connector	Fig.4

Dimensions:



Dimensions:



<< Inductive Sensor

Metal Barrel-M18E(Extended)



Description:

Brass nickel-plated, threaded barrel, DC 4-wire output, IP67 protection class, LED indicator, long size.

See the wiring diagram on page 231-233 for your reference.

Technical Data:

Type	Rated Operating Distance Sn	Mounting	Output	Voltage Range U _B	Rated Current	Switching Frequency	Ambient Temperature	Connection	Fig
Fi5-M18E-BP6L	5mm	Flush	PNP NO+NC	10...30VDC	≤200mA	800Hz	-25...70°C	2m cable	Fig.1
Fi5-M18E-BN6L	5mm	Flush	NPN NO+NC	10...30VDC	≤200mA	800Hz	-25...70°C	2m cable	Fig.1
Ni8-M18E-BP6L	8mm	Non-flush	PNP NO+NC	10...30VDC	≤200mA	500Hz	-25...70°C	2m cable	Fig.2
Ni8-M18E-BN6L	8mm	Non-flush	NPN NO+NC	10...30VDC	≤200mA	500Hz	-25...70°C	2m cable	Fig.2
Fi5-M18E-BP6L-Q12	5mm	Flush	PNP NO+NC	10...30VDC	≤200mA	800Hz	-25...70°C	M12 Connector	Fig.3
Fi5-M18E-BN6L-Q12	5mm	Flush	NPN NO+NC	10...30VDC	≤200mA	800Hz	-25...70°C	M12 Connector	Fig.3
Ni8-M18E-BP6L-Q12	8mm	Non-flush	PNP NO+NC	10...30VDC	≤200mA	500Hz	-25...70°C	M12 Connector	Fig.4
Ni8-M18E-BN6L-Q12	8mm	Non-flush	NPN NO+NC	10...30VDC	≤200mA	500Hz	-25...70°C	M12 Connector	Fig.4

Dimensions:

Fig.1

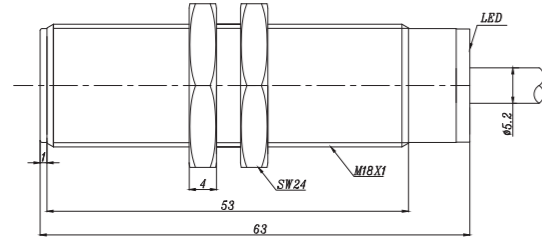


Fig.2

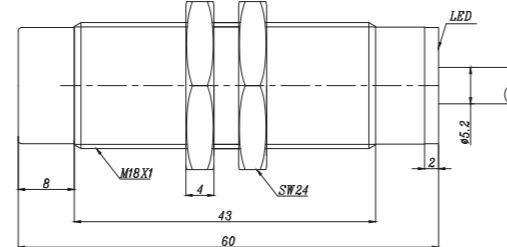


Fig.3

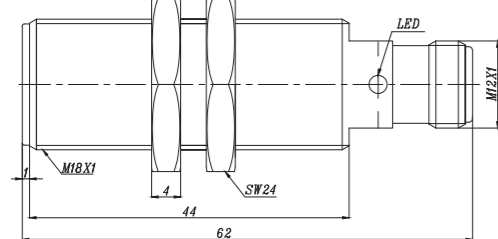
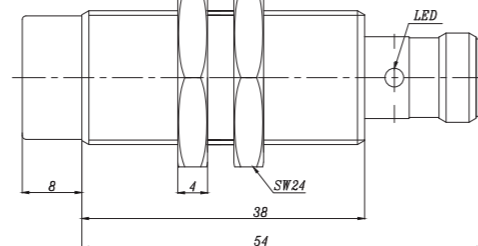


Fig.4



Metal Barrel-M18E(Extended)



Description:

Brass nickel-plated, threaded barrel, AC 2-wire output, IP67 protection class, LED indicator, long size.

See the wiring diagram on page 231-233 for your reference.

Technical Data:

Type	Rated Operating Distance Sn	Mounting	Output	Voltage Range U _B	Rated Current	Switching Frequency	Ambient Temperature	Connection	Fig
Fi5-M18E-OSA3L	5mm	Flush	AC NO	20...250VAC	≤200mA	40Hz	-25...70°C	2m cable	Fig.1
Fi5-M18E-CSA3L	5mm	Flush	AC NC	20...250VAC	≤200mA	40Hz	-25...70°C	2m cable	Fig.1
Ni8-M18E-OSA3L	8mm	Non-flush	AC NO	20...250VAC	≤200mA	40Hz	-25...70°C	2m cable	Fig.2
Ni8-M18E-CSA3L	8mm	Non-flush	AC NC	20...250VAC	≤200mA	40Hz	-25...70°C	2m cable	Fig.2
Fi5-M18E-OSA3L-Q12	5mm	Flush	AC NO	20...250VAC	≤200mA	40Hz	-25...70°C	M12 Connector	Fig.3
Fi5-M18E-CSA3L-Q12	5mm	Flush	AC NC	20...250VAC	≤200mA	40Hz	-25...70°C	M12 Connector	Fig.3
Ni8-M18E-OSA3L-Q12	8mm	Non-flush	AC NO	20...250VAC	≤200mA	40Hz	-25...70°C	M12 Connector	Fig.4
Ni8-M18E-CSA3L-Q12	8mm	Non-flush	AC NC	20...250VAC	≤200mA	40Hz	-25...70°C	M12 Connector	Fig.4

Dimensions:

Fig.1

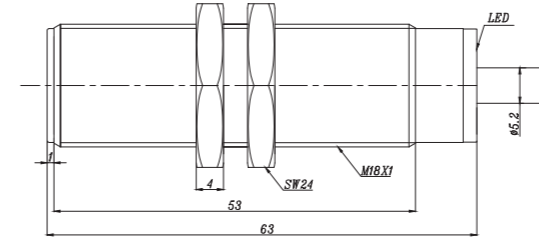


Fig.2

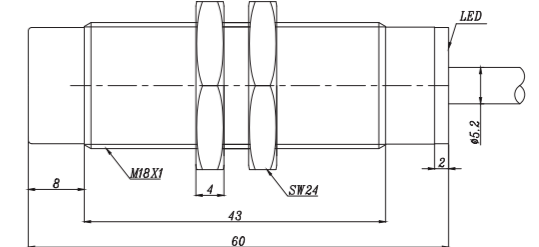


Fig.3

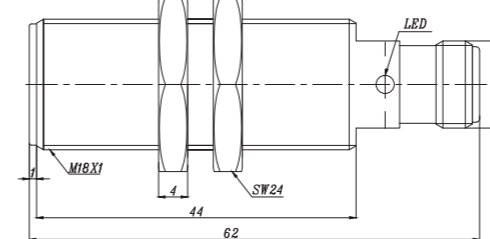
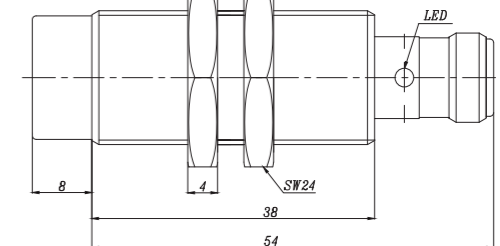


Fig.4



Inductive Sensor

Metal Barrel-M18E(Extended)



Description:

Brass nickel-plated, threaded barrel, AC/DC 2-wire output, IP67 protection class, LED indicator, long size.

See the wiring diagram on page 231-233 for your reference.

Technical Data:

Type	Rated Operating Distance S_n	Mounting	Output	Voltage Range U_B	Rated Current	Switching Frequency	Ambient Temperature	Connection	Fig
Fi5-M18E-OA41L	5mm	Flush	DC/AC NO	20...250VAC/DC	DC≤100mA/AC≤200mA	40Hz	-25...70°C	2m cable	Fig.1
Fi5-M18E-CA41L	5mm	Flush	DC/AC NC	20...250VAC/DC	DC≤100mA/AC≤200mA	40Hz	-25...70°C	2m cable	Fig.1
Ni8-M18E-OA41L	8mm	Non-flush	DC/AC NO	20...250VAC/DC	DC≤100mA/AC≤200mA	40Hz	-25...70°C	2m cable	Fig.2
Ni8-M18E-CA41L	8mm	Non-flush	DC/AC NC	20...250VAC/DC	DC≤100mA/AC≤200mA	40Hz	-25...70°C	2m cable	Fig.2
Fi5-M18E-OA41L-Q12	5mm	Flush	DC/AC NO	20...250VAC/DC	DC≤100mA/AC≤200mA	40Hz	-25...70°C	M12 Connector	Fig.3
Fi5-M18E-CA41L-Q12	5mm	Flush	DC/AC NC	20...250VAC/DC	DC≤100mA/AC≤200mA	40Hz	-25...70°C	M12 Connector	Fig.3
Ni8-M18E-OA41L-Q12	8mm	Non-flush	DC/AC NO	20...250VAC/DC	DC≤100mA/AC≤200mA	40Hz	-25...70°C	M12 Connector	Fig.4
Ni8-M18E-CA41L-Q12	8mm	Non-flush	DC/AC NC	20...250VAC/DC	DC≤100mA/AC≤200mA	40Hz	-25...70°C	M12 Connector	Fig.4

Dimensions:

Fig.1

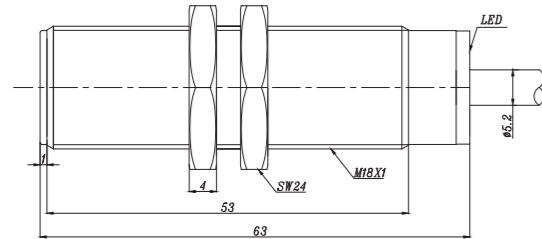


Fig.2

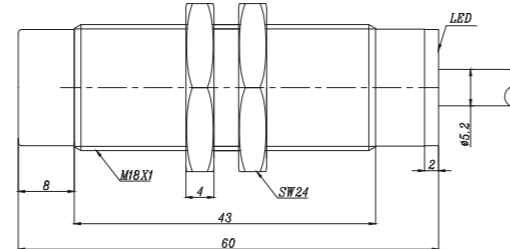


Fig.3

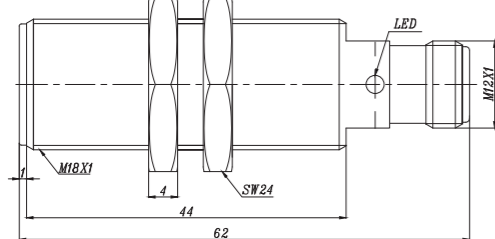
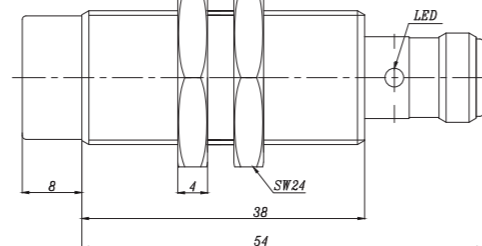


Fig.4



Metal Barrel-M30



Description:

Brass nickel-plated, threaded barrel, DC 2-wire output, IP67 protection class, LED indicator.

See the wiring diagram on page 231-233 for your reference.

Technical Data:

Type	Rated Operating Distance S_n	Mounting	Output	Voltage Range U_B	Rated Current	Switching Frequency	Ambient Temperature	Connection	Fig
Fi10-M30-OD6L	10mm	Flush	DC NO	10...30VDC	≤100mA	400Hz	-25...70°C	2m cable	Fig.1
Fi10-M30-CD6L	10mm	Flush	DC NC	10...30VDC	≤100mA	400Hz	-25...70°C	2m cable	Fig.1
Ni15-M30-OD6L	15mm	Non-flush	DC NO	10...30VDC	≤100mA	200Hz	-25...70°C	2m cable	Fig.2
Ni15-M30-CD6L	15mm	Non-flush	DC NC	10...30VDC	≤100mA	200Hz	-25...70°C	2m cable	Fig.2
Fi10-M30-OD6L-Q12	10mm	Flush	DC NO	10...30VDC	≤100mA	400Hz	-25...70°C	M12 Connector	Fig.3
Fi10-M30-CD6L-Q12	10mm	Flush	DC NC	10...30VDC	≤100mA	400Hz	-25...70°C	M12 Connector	Fig.3
Ni15-M30-OD6L-Q12	15mm	Non-flush	DC NO	10...30VDC	≤100mA	200Hz	-25...70°C	M12 Connector	Fig.4
Ni15-M30-CD6L-Q12	15mm	Non-flush	DC NC	10...30VDC	≤100mA	200Hz	-25...70°C	M12 Connector	Fig.4

Dimensions:

Fig.1

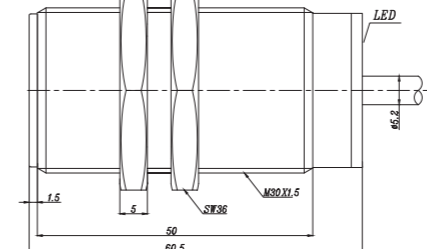


Fig.2

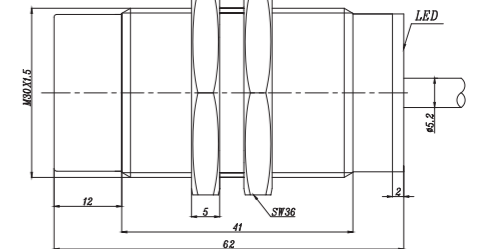


Fig.3

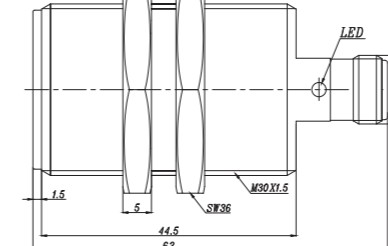
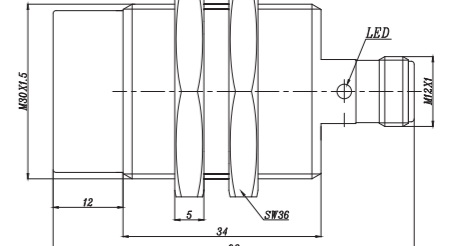


Fig.4



Metal Barrel-M30



Description:

Brass nickel-plated, threaded barrel, DC 3-wire output, IP67 protection class, LED indicator.

See the wiring diagram on page 231-233 for your reference.

Technical Data:

Type	Rated Operating Distance S_n	Mounting	Output	Voltage Range U_B	Rated Current	Switching Frequency	Ambient Temperature	Connection	Fig
Fi10-M30-OP6L	10mm	Flush	PNP NO	10...30VDC	≤200mA	400Hz	-25...70°C	2m cable	Fig.1
Fi10-M30-ON6L	10mm	Flush	NPN NO	10...30VDC	≤200mA	400Hz	-25...70°C	2m cable	Fig.1
Fi10-M30-CP6L	10mm	Flush	PNP NC	10...30VDC	≤200mA	400Hz	-25...70°C	2m cable	Fig.1
Fi10-M30-CN6L	10mm	Flush	NPN NC	10...30VDC	≤200mA	400Hz	-25...70°C	2m cable	Fig.1
Ni15-M30-OP6L	15mm	Non-flush	PNP NO	10...30VDC	≤200mA	200Hz	-25...70°C	2m cable	Fig.2
Ni15-M30-ON6L	15mm	Non-flush	NPN NO	10...30VDC	≤200mA	200Hz	-25...70°C	2m cable	Fig.2
Ni15-M30-CP6L	15mm	Non-flush	PNP NC	10...30VDC	≤200mA	200Hz	-25...70°C	2m cable	Fig.2
Ni15-M30-CN6L	15mm	Non-flush	NPN NC	10...30VDC	≤200mA	200Hz	-25...70°C	2m cable	Fig.2
Fi10-M30-OP6L-Q12	10mm	Flush	PNP NO	10...30VDC	≤200mA	400Hz	-25...70°C	M12 Connector	Fig.3
Fi10-M30-ON6L-Q12	10mm	Flush	NPN NO	10...30VDC	≤200mA	400Hz	-25...70°C	M12 Connector	Fig.3
Fi10-M30-CP6L-Q12	10mm	Flush	PNP NC	10...30VDC	≤200mA	400Hz	-25...70°C	M12 Connector	Fig.3
Fi10-M30-CN6L-Q12	10mm	Flush	NPN NC	10...30VDC	≤200mA	400Hz	-25...70°C	M12 Connector	Fig.3
Ni15-M30-OP6L-Q12	15mm	Non-flush	PNP NO	10...30VDC	≤200mA	200Hz	-25...70°C	M12 Connector	Fig.4
Ni15-M30-ON6L-Q12	15mm	Non-flush	NPN NO	10...30VDC	≤200mA	200Hz	-25...70°C	M12 Connector	Fig.4
Ni15-M30-CP6L-Q12	15mm	Non-flush	PNP NC	10...30VDC	≤200mA	200Hz	-25...70°C	M12 Connector	Fig.4
Ni15-M30-CN6L-Q12	15mm	Non-flush	NPN NC	10...30VDC	≤200mA	200Hz	-25...70°C	M12 Connector	Fig.4

Dimensions:

Fig.1

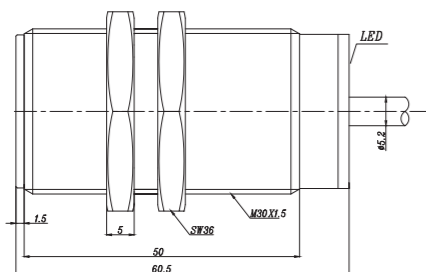


Fig.2

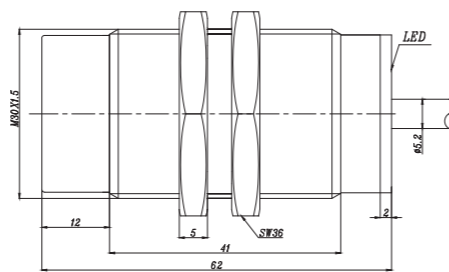


Fig.3

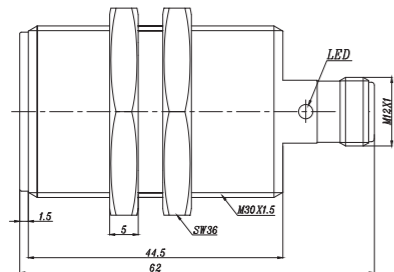
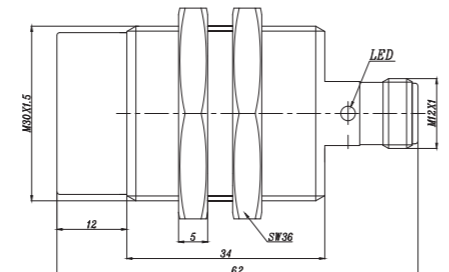


Fig.4



Metal Barrel-M30



Description:

Brass nickel-plated, threaded barrel, DC 4-wire output, IP67 protection class, LED indicator.

See the wiring diagram on page 231-233 for your reference.

Technical Data:

Type	Rated Operating Distance S_n	Mounting	Output	Voltage Range U_B	Rated Current	Switching Frequency	Ambient Temperature	Connection	Fig
Fi10-M30-BP6L	10mm	Flush	PNP NO+NC	10...30VDC	≤200mA	400Hz	-25...70°C	2m cable	Fig.1
Fi10-M30-BN6L	10mm	Flush	NPN NO+NC	10...30VDC	≤200mA	400Hz	-25...70°C	2m cable	Fig.1
Ni15-M30-BP6L	15mm	Non-flush	PNP NO+NC	10...30VDC	≤200mA	200Hz	-25...70°C	2m cable	Fig.2
Ni15-M30-BN6L	15mm	Non-flush	NPN NO+NC	10...30VDC	≤200mA	200Hz	-25...70°C	2m cable	Fig.2
Fi10-M30-BP6L-Q12	10mm	Flush	PNP NO+NC	10...30VDC	≤200mA	400Hz	-25...70°C	M12 Connector	Fig.3
Fi10-M30-BN6L-Q12	10mm	Flush	NPN NO+NC	10...30VDC	≤200mA	400Hz	-25...70°C	M12 Connector	Fig.3
Ni15-M30-BP6L-Q12	15mm	Non-flush	PNP NO+NC	10...30VDC	≤200mA	200Hz	-25...70°C	M12 Connector	Fig.4
Ni15-M30-BN6L-Q12	15mm	Non-flush	NPN NO+NC	10...30VDC	≤200mA	200Hz	-25...70°C	M12 Connector	Fig.4

Dimensions:

Fig.1

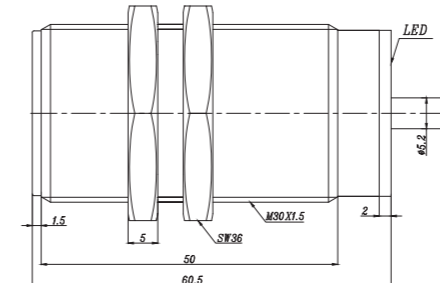


Fig.2

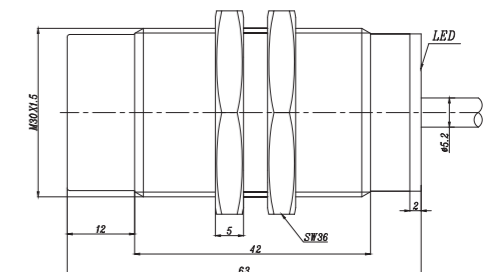


Fig.3

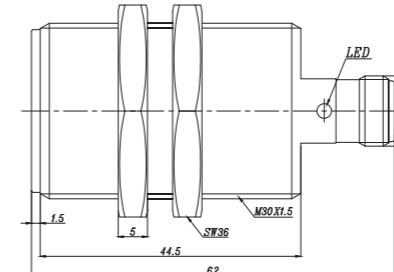
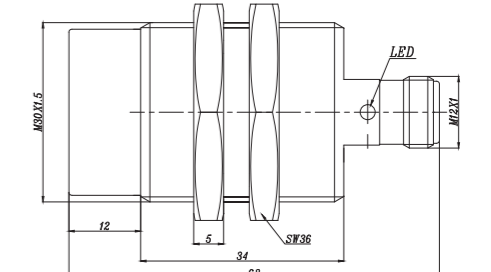


Fig.4



Metal Barrel-M30



Description:

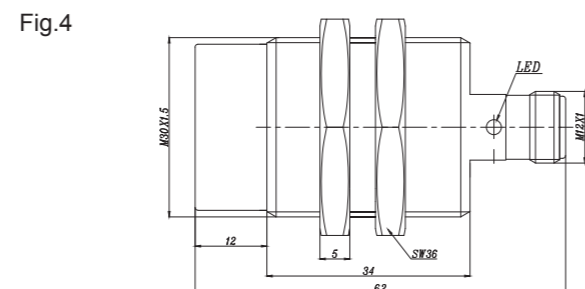
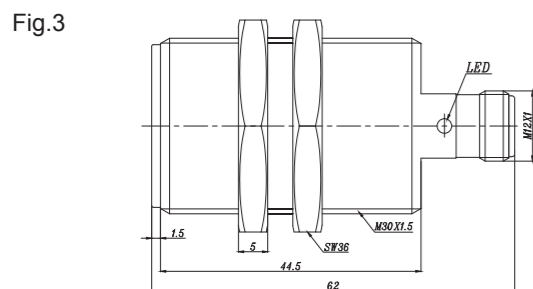
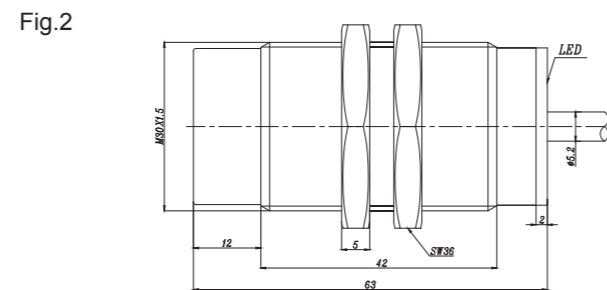
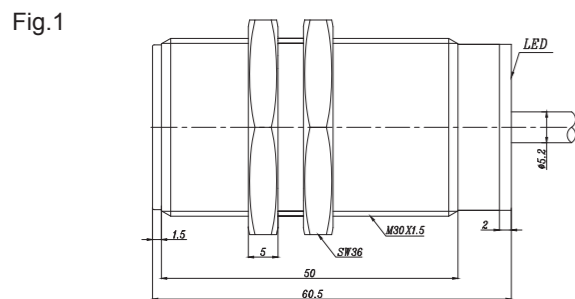
Brass nickel-plated, threaded barrel, AC 2-wire output, IP67 protection class, LED indicator.

See the wiring diagram on page 231-233 for your reference.

Technical Data:

Type	Rated Operating Distance Sn	Mounting	Output	Voltage Range U _B	Rated Current	Switching Frequency	Ambient Temperature	Connection	Fig
Fi10-M30-OSA3L	10mm	Flush	AC NO	20...250VAC	≤200mA	40Hz	-25...70°C	2m cable	Fig.1
Fi10-M30-CSA3L	10mm	Flush	AC NC	20...250VAC	≤200mA	40Hz	-25...70°C	2m cable	Fig.1
Ni15-M30-OSA3L	15mm	Non-flush	AC NO	20...250VAC	≤200mA	40Hz	-25...70°C	2m cable	Fig.2
Ni15-M30-CSA3L	15mm	Non-flush	AC NC	20...250VAC	≤200mA	40Hz	-25...70°C	2m cable	Fig.2
Fi10-M30-OSA3L-Q12	10mm	Flush	AC NO	20...250VAC	≤200mA	40Hz	-25...70°C	M12 Connector	Fig.3
Fi10-M30-CSA3L-Q12	10mm	Flush	AC NC	20...250VAC	≤200mA	40Hz	-25...70°C	M12 Connector	Fig.3
Ni15-M30-OSA3L-Q12	15mm	Non-flush	AC NO	20...250VAC	≤200mA	40Hz	-25...70°C	M12 Connector	Fig.4
Ni15-M30-CSA3L-Q12	15mm	Non-flush	AC NC	20...250VAC	≤200mA	40Hz	-25...70°C	M12 Connector	Fig.4

Dimensions:



Metal Barrel-M30



Description:

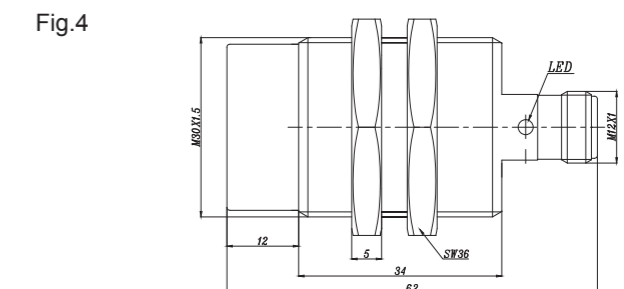
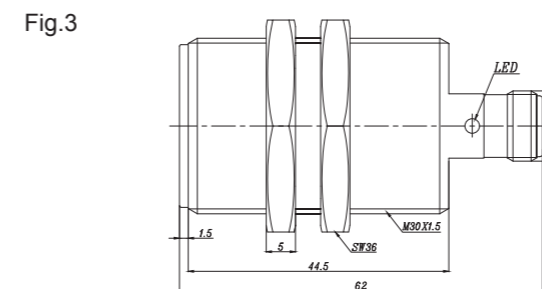
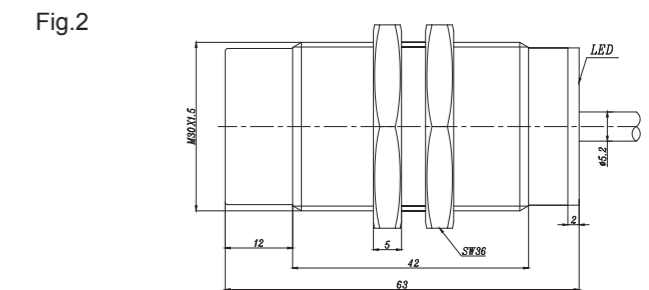
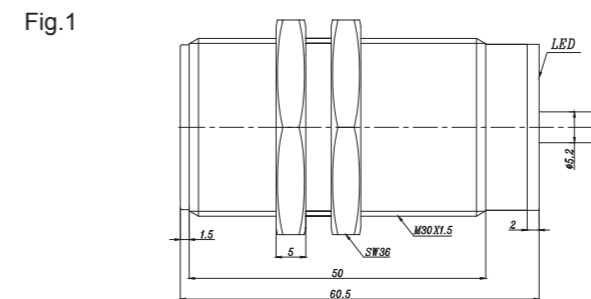
Brass nickel-plated, threaded barrel, AC/DC 2-wire output, IP67 protection class, LED indicator.

See the wiring diagram on page 231-233 for your reference.

Technical Data:

Type	Rated Operating Distance Sn	Mounting	Output	Voltage Range U _B	Rated Current	Switching Frequency	Ambient Temperature	Connection	Fig
Fi10-M30-OA41L	10mm	Flush	DC/AC NO	20...250VAC/DC	DC≤100mA/AC≤200mA	40Hz	-25...70°C	2m cable	Fig.1
Fi10-M30-CA41L	10mm	Flush	DC/AC NC	20...250VAC/DC	DC≤100mA/AC≤200mA	40Hz	-25...70°C	2m cable	Fig.1
Ni15-M30-OA41L	15mm	Non-flush	DC/AC NO	20...250VAC/DC	DC≤100mA/AC≤200mA	40Hz	-25...70°C	2m cable	Fig.2
Ni15-M30-CA41L	15mm	Non-flush	DC/AC NC	20...250VAC/DC	DC≤100mA/AC≤200mA	40Hz	-25...70°C	2m cable	Fig.2
Fi10-M30-OA41L-Q12	10mm	Flush	DC/AC NO	20...250VAC/DC	DC≤100mA/AC≤200mA	40Hz	-25...70°C	M12 Connector	Fig.3
Fi10-M30-CA41L-Q12	10mm	Flush	DC/AC NC	20...250VAC/DC	DC≤100mA/AC≤200mA	40Hz	-25...70°C	M12 Connector	Fig.3
Ni15-M30-OA41L-Q12	15mm	Non-flush	DC/AC NO	20...250VAC/DC	DC≤100mA/AC≤200mA	40Hz	-25...70°C	M12 Connector	Fig.4
Ni15-M30-CA41L-Q12	15mm	Non-flush	DC/AC NC	20...250VAC/DC	DC≤100mA/AC≤200mA	40Hz	-25...70°C	M12 Connector	Fig.4

Dimensions:



Metal Barrel-M30S(Short)



Description:

Brass nickel-plated, threaded barrel, DC 2-wire output, IP67 protection class, LED indicator, short size.

See the wiring diagram on page 231-233 for your reference.

Metal Barrel-M30S(Short)



Description:

Brass nickel-plated, threaded barrel, DC 3-wire output, IP67 protection class, LED indicator, short size.

See the wiring diagram on page 231-233 for your reference.

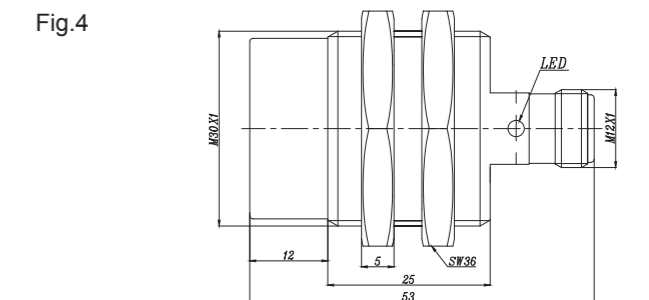
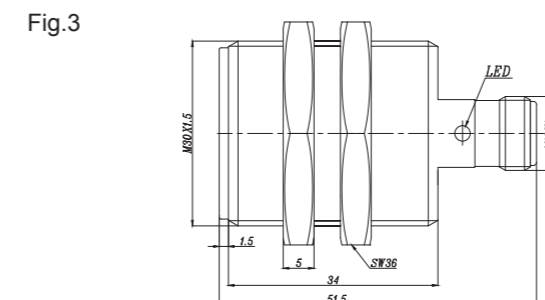
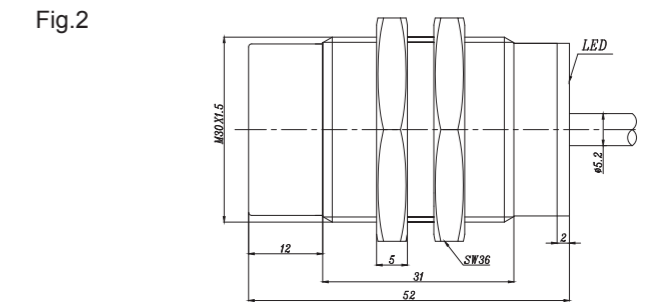
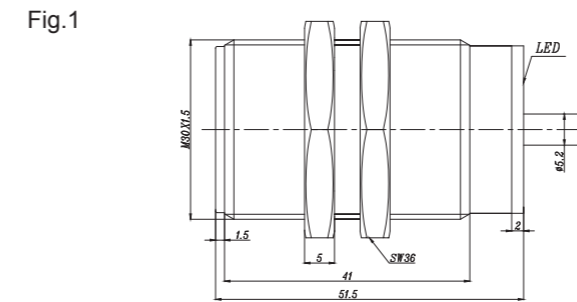
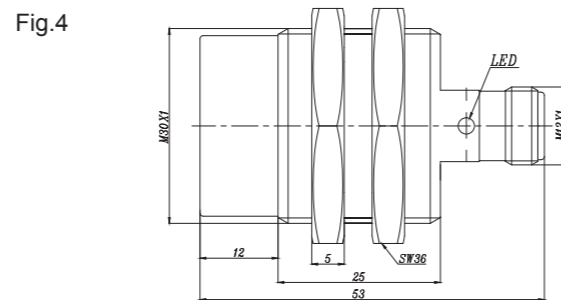
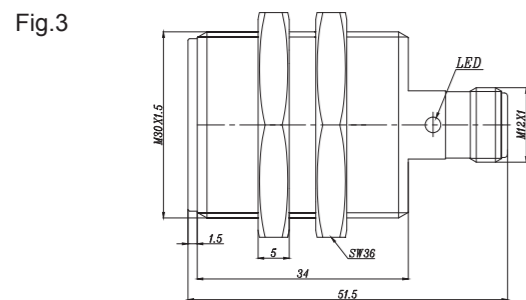
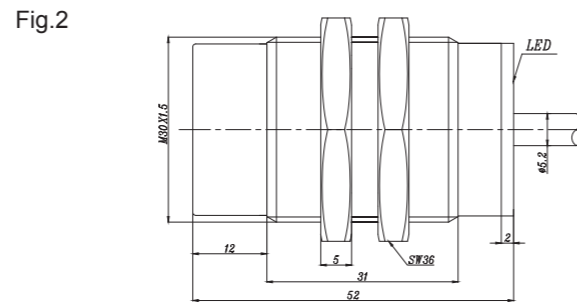
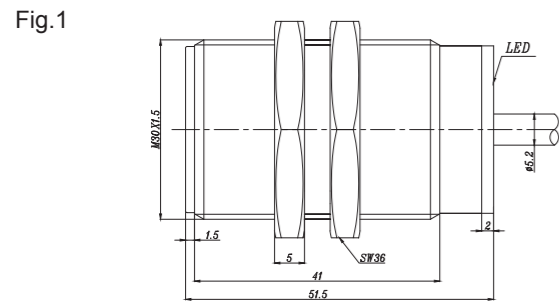
Technical Data:

Type	Rated Operating Distance Sn	Mounting	Output	Voltage Range U _e	Rated Current	Switching Frequency	Ambient Temperature	Connection	Fig
Fi10-M30S-OD6L	10mm	Flush	DC NO	10...30VDC	≤100mA	400Hz	-25...70°C	2m cable	Fig.1
Fi10-M30S-CD6L	10mm	Flush	DC NC	10...30VDC	≤100mA	400Hz	-25...70°C	2m cable	Fig.1
Ni15-M30S-OD6L	15mm	Non-flush	DC NO	10...30VDC	≤100mA	200Hz	-25...70°C	2m cable	Fig.2
Ni15-M30S-CD6L	15mm	Non-flush	DC NC	10...30VDC	≤100mA	200Hz	-25...70°C	2m cable	Fig.2
Fi10-M30S-OD6L-Q12	10mm	Flush	DC NO	10...30VDC	≤100mA	400Hz	-25...70°C	M12 Connector	Fig.3
Fi10-M30S-CD6L-Q12	10mm	Flush	DC NC	10...30VDC	≤100mA	400Hz	-25...70°C	M12 Connector	Fig.3
Ni15-M30S-OD6L-Q12	15mm	Non-flush	DC NO	10...30VDC	≤100mA	200Hz	-25...70°C	M12 Connector	Fig.4
Ni15-M30S-CD6L-Q12	15mm	Non-flush	DC NC	10...30VDC	≤100mA	200Hz	-25...70°C	M12 Connector	Fig.4

Technical Data:

Type	Rated Operating Distance Sn	Mounting	Output	Voltage Range U _e	Rated Current	Switching Frequency	Ambient Temperature	Connection	Fig
Fi10-M30S-OP6L	10mm	Flush	PNP NO	10...30VDC	≤200mA	400Hz	-25...70°C	2m cable	Fig.1
Fi10-M30S-ON6L	10mm	Flush	NPN NO	10...30VDC	≤200mA	400Hz	-25...70°C	2m cable	Fig.1
Fi10-M30S-CP6L	10mm	Flush	PNP NC	10...30VDC	≤200mA	400Hz	-25...70°C	2m cable	Fig.1
Fi10-M30S-CN6L	10mm	Flush	NPN NC	10...30VDC	≤200mA	400Hz	-25...70°C	2m cable	Fig.1
Ni15-M30S-OP6L	15mm	Non-flush	PNP NO	10...30VDC	≤200mA	200Hz	-25...70°C	2m cable	Fig.2
Ni15-M30S-ON6L	15mm	Non-flush	NPN NO	10...30VDC	≤200mA	200Hz	-25...70°C	2m cable	Fig.2
Ni15-M30S-CP6L	15mm	Non-flush	PNP NC	10...30VDC	≤200mA	200Hz	-25...70°C	2m cable	Fig.2
Ni15-M30S-CN6L	15mm	Non-flush	NPN NC	10...30VDC	≤200mA	200Hz	-25...70°C	2m cable	Fig.2
Fi10-M30S-OP6L-Q12	10mm	Flush	PNP NO	10...30VDC	≤200mA	400Hz	-25...70°C	M12 Connector	Fig.3
Fi10-M30S-ON6L-Q12	10mm	Flush	NPN NO	10...30VDC	≤200mA	400Hz	-25...70°C	M12 Connector	Fig.3
Fi10-M30S-CP6L-Q12	10mm	Flush	PNP NC	10...30VDC	≤200mA	400Hz	-25...70°C	M12 Connector	Fig.3
Fi10-M30S-CN6L-Q12	10mm	Flush	NPN NC	10...30VDC	≤200mA	400Hz	-25...70°C	M12 Connector	Fig.3
Ni15-M30S-OP6L-Q12	15mm	Non-flush	PNP NO	10...30VDC	≤200mA	200Hz	-25...70°C	M12 Connector	Fig.4
Ni15-M30S-ON6L-Q12	15mm	Non-flush	NPN NO	10...30VDC	≤200mA	200Hz	-25...70°C	M12 Connector	Fig.4
Ni15-M30S-CP6L-Q12	15mm	Non-flush	PNP NC	10...30VDC	≤200mA	200Hz	-25...70°C	M12 Connector	Fig.4
Ni15-M30S-CN6L-Q12	15mm	Non-flush	NPN NC	10...30VDC	≤200mA	200Hz	-25...70°C	M12 Connector	Fig.4

Dimensions:



<< Inductive Sensor

Metal Barrel-M30S(Short)



Description:

Brass nickel-plated, threaded barrel, DC 4-wire output, IP67 protection class, LED indicator, short size.

See the wiring diagram on page 231-233 for your reference.

Technical Data:

Type	Rated Operating Distance Sn	Mounting	Output	Voltage Range U _B	Rated Current	Switching Frequency	Ambient Temperature	Connection	Fig
Fi10-M30S-BP6L	10mm	Flush	PNP NO+NC	10...30VDC	≤200mA	400Hz	-25...70°C	2m cable	Fig.1
Fi10-M30S-BN6L	10mm	Flush	NPN NO+NC	10...30VDC	≤200mA	400Hz	-25...70°C	2m cable	Fig.1
Ni15-M30S-BP6L	15mm	Non-flush	PNP NO+NC	10...30VDC	≤200mA	200Hz	-25...70°C	2m cable	Fig.2
Ni15-M30S-BN6L	15mm	Non-flush	NPN NO+NC	10...30VDC	≤200mA	200Hz	-25...70°C	2m cable	Fig.2
Fi10-M30S-BP6L-Q12	10mm	Flush	PNP NO+NC	10...30VDC	≤200mA	400Hz	-25...70°C	M12 Connector	Fig.3
Fi10-M30S-BN6L-Q12	10mm	Flush	NPN NO+NC	10...30VDC	≤200mA	400Hz	-25...70°C	M12 Connector	Fig.3
Ni15-M30S-BP6L-Q12	15mm	Non-flush	PNP NO+NC	10...30VDC	≤200mA	200Hz	-25...70°C	M12 Connector	Fig.4
Ni15-M30S-BN6L-Q12	15mm	Non-flush	NPN NO+NC	10...30VDC	≤200mA	200Hz	-25...70°C	M12 Connector	Fig.4

Dimensions:

Fig.1

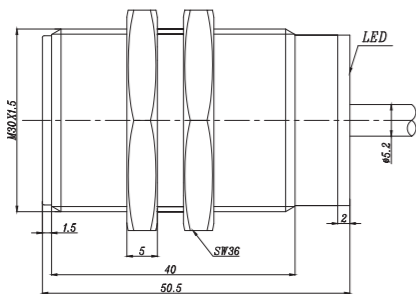


Fig.2

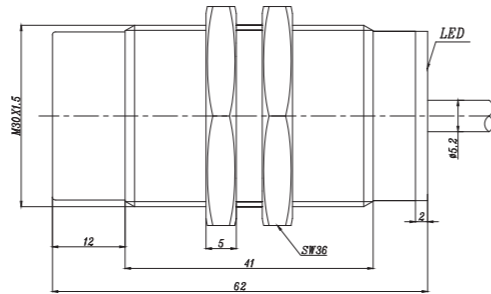


Fig.3

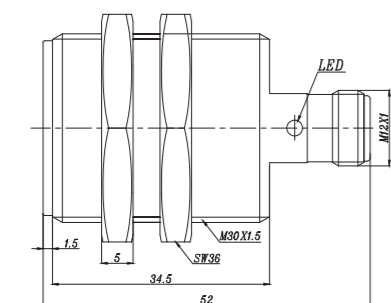
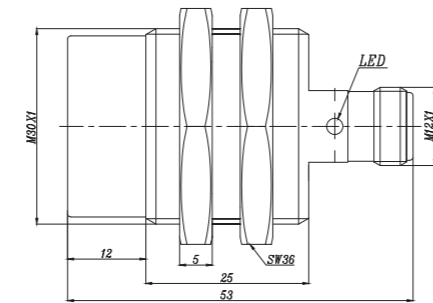


Fig.4



Metal Barrel-M30S(Short)



Description:

Brass nickel-plated, threaded barrel, AC 2-wire output, IP67 protection class, LED indicator, short size.

See the wiring diagram on page 231-233 for your reference.

Technical Data:

Type	Rated Operating Distance Sn	Mounting	Output	Voltage Range U _B	Rated Current	Switching Frequency	Ambient Temperature	Connection	Fig
Fi10-M30S-OSA3L	10mm	Flush	AC NO	20...250VAC	≤200mA	40Hz	-25...70°C	2m cable	Fig.1
Fi10-M30S-CSA3L	10mm	Flush	AC NC	20...250VAC	≤200mA	40Hz	-25...70°C	2m cable	Fig.1
Ni15-M30S-OSA3L	15mm	Non-flush	AC NO	20...250VAC	≤200mA	40Hz	-25...70°C	2m cable	Fig.2
Ni15-M30S-CSA3L	15mm	Non-flush	AC NC	20...250VAC	≤200mA	40Hz	-25...70°C	2m cable	Fig.2
Fi10-M30S-OSA3L-Q12	10mm	Flush	AC NO	20...250VAC	≤200mA	40Hz	-25...70°C	M12 Connector	Fig.3
Fi10-M30S-CSA3L-Q12	10mm	Flush	AC NC	20...250VAC	≤200mA	40Hz	-25...70°C	M12 Connector	Fig.3
Ni15-M30S-OSA3L-Q12	15mm	Non-flush	AC NO	20...250VAC	≤200mA	40Hz	-25...70°C	M12 Connector	Fig.4
Ni15-M30S-CSA3L-Q12	15mm	Non-flush	AC NC	20...250VAC	≤200mA	40Hz	-25...70°C	M12 Connector	Fig.4

Dimensions:

Fig.1

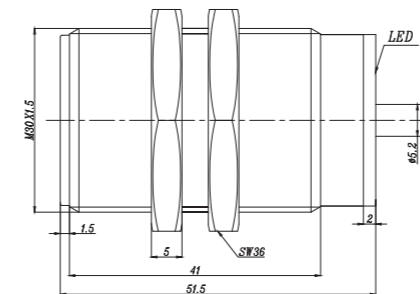


Fig.2

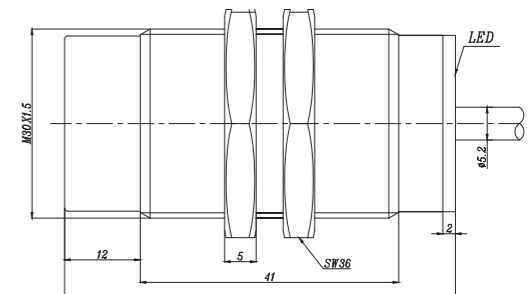


Fig.3

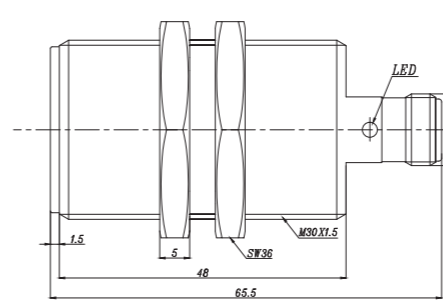
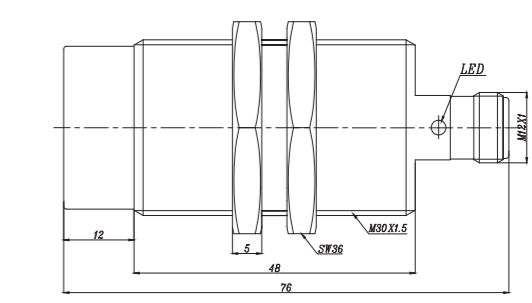


Fig.4





Description:

Brass nickel-plated, threaded barrel, AC/DC 2-wire output, IP67 protection class, LED indicator, short size.

See the wiring diagram on page 231-233 for your reference.

Technical Data:

Type	Rated Operating Distance Sn	Mounting	Output	Voltage Range U _b	Rated Current	Switching Frequency	Ambient Temperature	Connection	Fig
Fi10-M30S-OA41L	10mm	Flush	DC/AC NO	20...250VAC/DC	DC≤100mA/AC≤200mA	40Hz	-25...70°C	2m cable	Fig.1
Fi10-M30S-CA41L	10mm	Flush	DC/AC NC	20...250VAC/DC	DC≤100mA/AC≤200mA	40Hz	-25...70°C	2m cable	Fig.1
Ni15-M30S-OA41L	15mm	Non-flush	DC/AC NO	20...250VAC/DC	DC≤100mA/AC≤200mA	40Hz	-25...70°C	2m cable	Fig.2
Ni15-M30S-CA41L	15mm	Non-flush	DC/AC NC	20...250VAC/DC	DC≤100mA/AC≤200mA	40Hz	-25...70°C	2m cable	Fig.2
Fi10-M30S-OA41L-Q12	10mm	Flush	DC/AC NO	20...250VAC/DC	DC≤100mA/AC≤200mA	40Hz	-25...70°C	M12 Connector	Fig.3
Fi10-M30S-CA41L-Q12	10mm	Flush	DC/AC NC	20...250VAC/DC	DC≤100mA/AC≤200mA	40Hz	-25...70°C	M12 Connector	Fig.3
Ni15-M30S-OA41L-Q12	15mm	Non-flush	DC/AC NO	20...250VAC/DC	DC≤100mA/AC≤200mA	40Hz	-25...70°C	M12 Connector	Fig.4
Ni15-M30S-CA41L-Q12	15mm	Non-flush	DC/AC NC	20...250VAC/DC	DC≤100mA/AC≤200mA	40Hz	-25...70°C	M12 Connector	Fig.4

Dimensions:

Fig.1

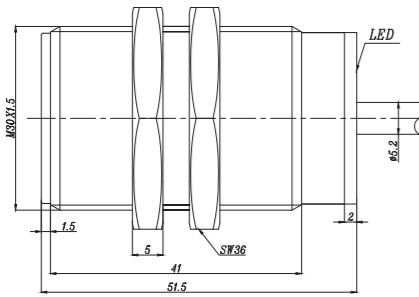


Fig.2

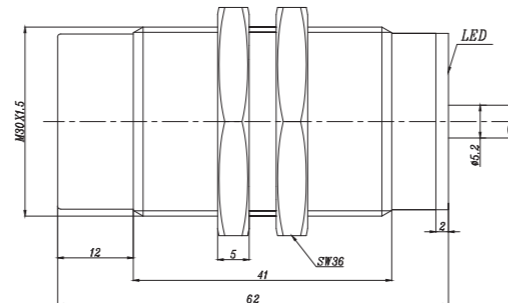


Fig.3

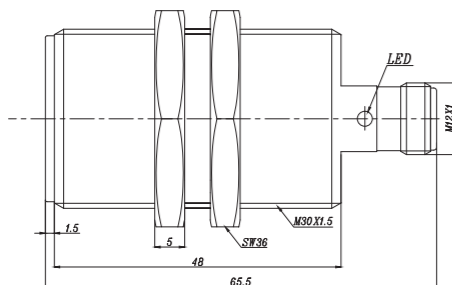
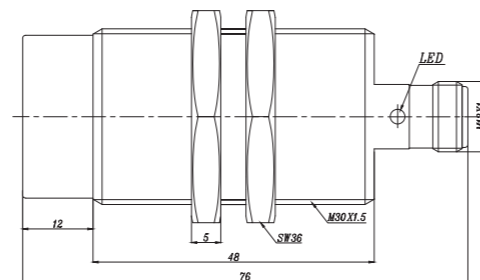


Fig.4





Description:

Brass nickel-plated, threaded barrel, extended operating distance, DC 3-wire output, IP67 protection class, LED indicator.

See the wiring diagram on page 231-233 for your reference.

Technical Data:

Type	Rated Operating Distance S_n	Mounting	Output	Voltage Range U_B	Rated Current	Switching Frequency	Ambient Temperature	Connection	Fig
Ni4-M08-OP6L	4mm	Non-flush	PNP NO	10...30VDC	≤200mA	750Hz	-25...70°C	2m cable	Fig.1
Ni4-M08-ON6L	4mm	Non-flush	NPN NO	10...30VDC	≤200mA	750Hz	-25...70°C	2m cable	Fig.1
Ni4-M08-CP6L	4mm	Non-flush	PNP NC	10...30VDC	≤200mA	750Hz	-25...70°C	2m cable	Fig.1
Ni4-M08-CN6L	4mm	Non-flush	NPN NC	10...30VDC	≤200mA	750Hz	-25...70°C	2m cable	Fig.1
Ni4-M08-OP6L-Q8	4mm	Non-flush	PNP NO	10...30VDC	≤200mA	750Hz	-25...70°C	M8 Connector	Fig.2
Ni4-M08-ON6L-Q8	4mm	Non-flush	NPN NO	10...30VDC	≤200mA	750Hz	-25...70°C	M8 Connector	Fig.2
Ni4-M08-CP6L-Q8	4mm	Non-flush	PNP NC	10...30VDC	≤200mA	750Hz	-25...70°C	M8 Connector	Fig.2
Ni4-M08-CN6L-Q8	4mm	Non-flush	NPN NC	10...30VDC	≤200mA	750Hz	-25...70°C	M8 Connector	Fig.2
Ni4-M08-OP6L-Q12	4mm	Non-flush	PNP NO	10...30VDC	≤200mA	750Hz	-25...70°C	M12 Connector	Fig.3
Ni4-M08-ON6L-Q12	4mm	Non-flush	NPN NO	10...30VDC	≤200mA	750Hz	-25...70°C	M12 Connector	Fig.3
Ni4-M08-CP6L-Q12	4mm	Non-flush	PNP NC	10...30VDC	≤200mA	750Hz	-25...70°C	M12 Connector	Fig.3
Ni4-M08-CN6L-Q12	4mm	Non-flush	NPN NC	10...30VDC	≤200mA	750Hz	-25...70°C	M12 Connector	Fig.3

Dimensions:

Fig.1

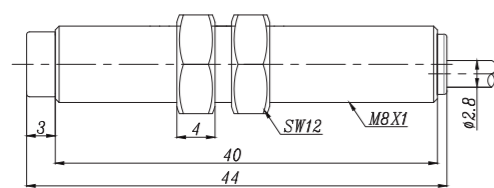


Fig.2

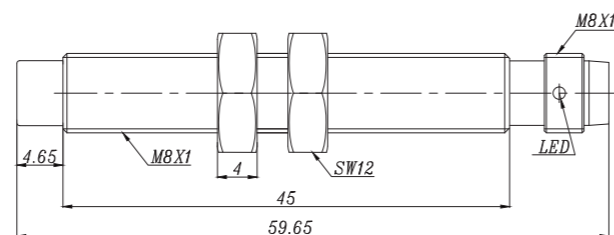
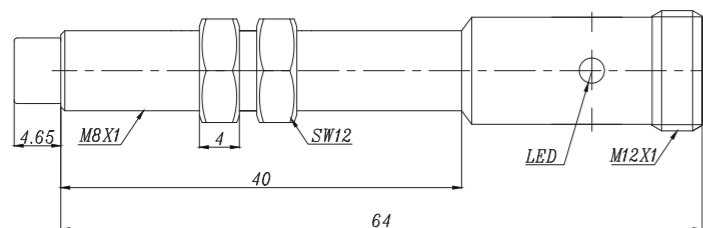


Fig.3



Description:

Brass nickel-plated, threaded barrel, extended operating distance, DC 2-wire output, IP67 protection class, LED indicator.

See the wiring diagram on page 231-233 for your reference.

Technical Data:

Type	Rated Operating Distance S_n	Mounting	Output	Voltage Range U_B	Rated Current	Switching Frequency	Ambient Temperature	Connection	Fig
Ni4-M08-OD6L	4mm	Non-flush	DC NO	10...30VDC	≤100mA	600Hz	-25...70°C	2m cable	Fig.1
Ni4-M08-CD6L	4mm	Non-flush	DC NC	10...30VDC	≤100mA	600Hz	-25...70°C	2m cable	Fig.1
Ni4-M08-OD6L-Q8	4mm	Non-flush	DC NO	10...30VDC	≤100mA	750Hz	-25...70°C	M8 Connector	Fig.2
Ni4-M08-CD6L-Q8	4mm	Non-flush	DC NC	10...30VDC	≤100mA	750Hz	-25...70°C	M8 Connector	Fig.2
Ni4-M08-OD6L-Q12	4mm	Non-flush	DC NO	10...30VDC	≤100mA	750Hz	-25...70°C	M12 Connector	Fig.3
Ni4-M08-CD6L-Q12	4mm	Non-flush	DC NC	10...30VDC	≤100mA	750Hz	-25...70°C	M12 Connector	Fig.3

Dimensions:

Fig.1

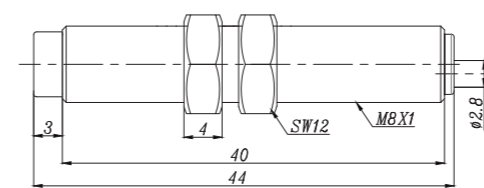


Fig.2

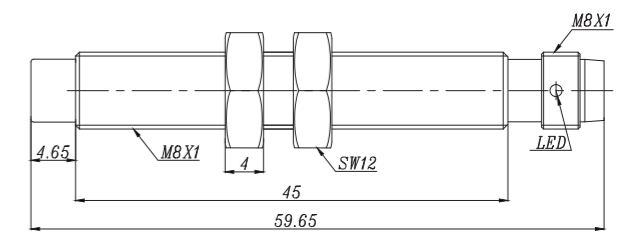
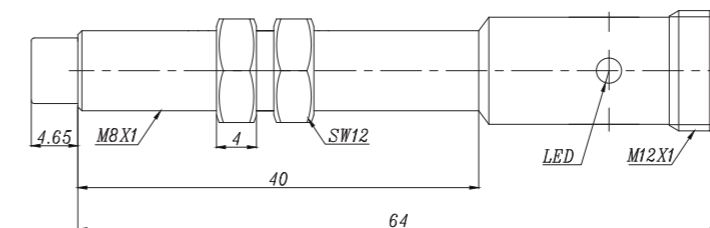


Fig.3





Description:

Brass nickel-plated, threaded barrel, extended operating distance, DC 2-wire output, IP67 protection class, LED indicator.

See the wiring diagram on page 231-233 for your reference.



Description:

Brass nickel-plated, threaded barrel, extended operating distance, DC 2-wire output, IP67 protection class, LED indicator.

See the wiring diagram on page 231-233 for your reference.

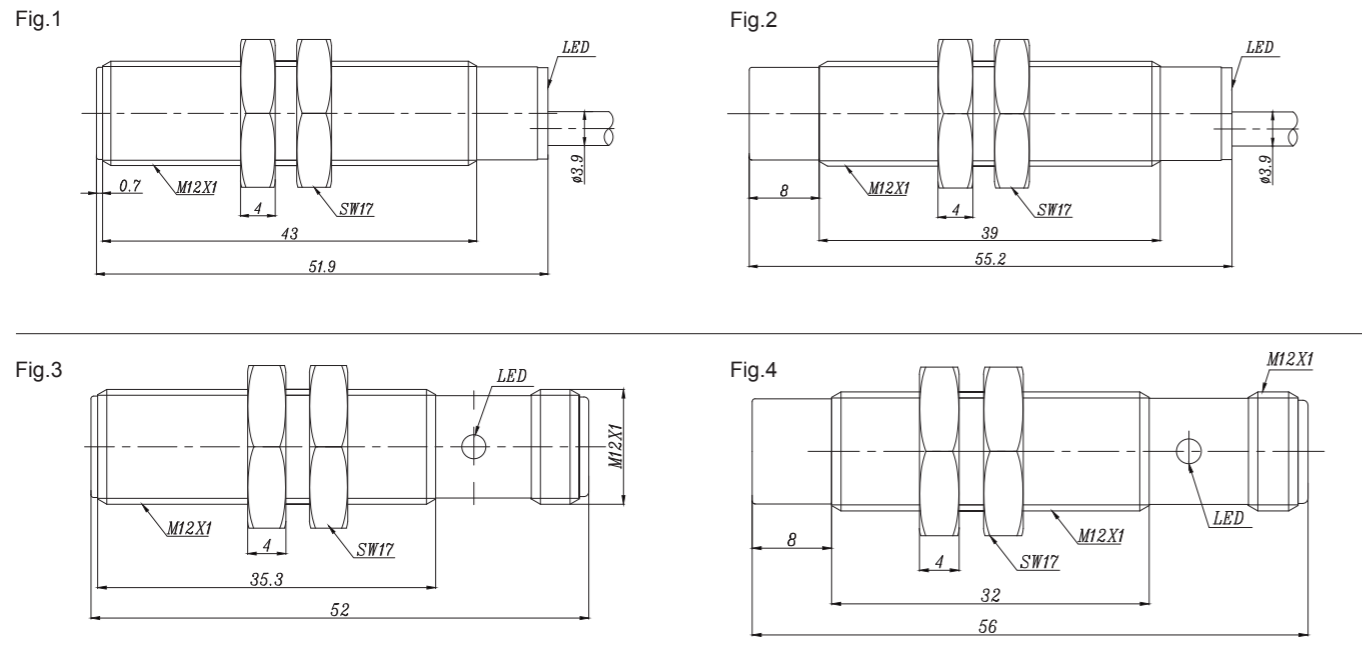
Technical Data:

Type	Rated Operating Distance Sn	Mounting	Output	Voltage Range U _s	Rated Current	Switching Frequency	Ambient Temperature	Connection	Fig
Fi4-M12-OD6L	4mm	Flush	DC NO	10...30VDC	≤100mA	650Hz	-25...70°C	2m cable	Fig.1
Fi4-M12-CD6L	4mm	Flush	DC NC	10...30VDC	≤100mA	650Hz	-25...70°C	2m cable	Fig.1
Ni8-M12-OD6L	8mm	Non-flush	DC NO	10...30VDC	≤100mA	500Hz	-25...70°C	2m cable	Fig.2
Ni8-M12-CD6L	8mm	Non-flush	DC NC	10...30VDC	≤100mA	500Hz	-25...70°C	2m cable	Fig.2
Fi4-M12-OD6L-Q12	4mm	Flush	DC NO	10...30VDC	≤100mA	650Hz	-25...70°C	M12 Connector	Fig.3
Fi4-M12-CD6L-Q12	4mm	Flush	DC NC	10...30VDC	≤100mA	650Hz	-25...70°C	M12 Connector	Fig.3
Ni8-M12-OD6L-Q12	8mm	Non-flush	DC NO	10...30VDC	≤100mA	500Hz	-25...70°C	M12 Connector	Fig.4
Ni8-M12-CD6L-Q12	8mm	Non-flush	DC NC	10...30VDC	≤100mA	500Hz	-25...70°C	M12 Connector	Fig.4

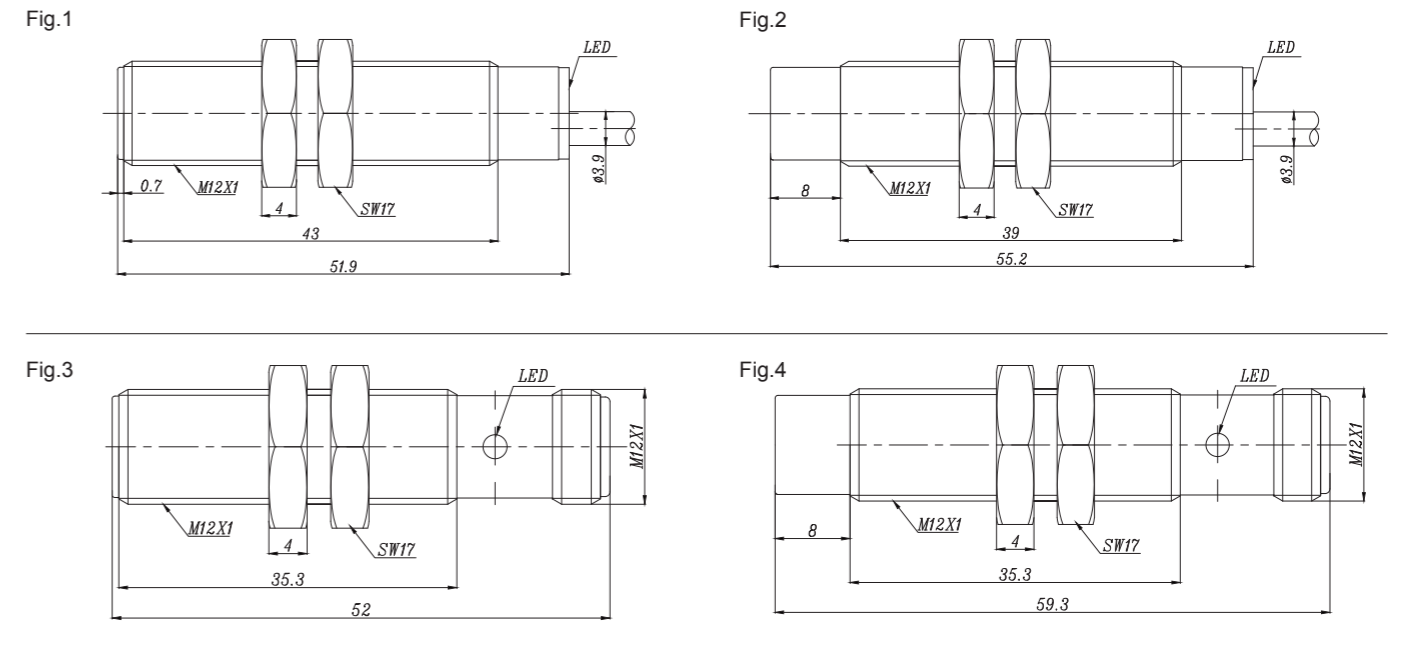
Technical Data:

Type	Rated Operating Distance Sn	Mounting	Output	Voltage Range U _s	Rated Current	Switching Frequency	Ambient Temperature	Connection	Fig
Fi4-M12-OP6L	4mm	Flush	PNP NO	10...30VDC	≤200mA	650Hz	-25...70°C	2m cable	Fig.1
Fi4-M12-ON6L	4mm	Flush	NPN NO	10...30VDC	≤200mA	650Hz	-25...70°C	2m cable	Fig.1
Fi4-M12-CP6L	4mm	Flush	PNP NC	10...30VDC	≤200mA	650Hz	-25...70°C	2m cable	Fig.1
Fi4-M12-CN6L	4mm	Flush	NPN NC	10...30VDC	≤200mA	650Hz	-25...70°C	2m cable	Fig.1
Ni8-M12-OP6L	8mm	Non-flush	PNP NO	10...30VDC	≤200mA	500Hz	-25...70°C	2m cable	Fig.2
Ni8-M12-ON6L	8mm	Non-flush	NPN NO	10...30VDC	≤200mA	500Hz	-25...70°C	2m cable	Fig.2
Ni8-M12-CP6L	8mm	Non-flush	PNP NC	10...30VDC	≤200mA	500Hz	-25...70°C	2m cable	Fig.2
Ni8-M12-CN6L	8mm	Non-flush	NPN NC	10...30VDC	≤200mA	500Hz	-25...70°C	2m cable	Fig.2
Fi4-M12-OP6L-Q12	4mm	Flush	PNP NO	10...30VDC	≤200mA	650Hz	-25...70°C	M12 Connector	Fig.3
Fi4-M12-ON6L-Q12	4mm	Flush	NPN NO	10...30VDC	≤200mA	650Hz	-25...70°C	M12 Connector	Fig.3
Fi4-M12-CP6L-Q12	4mm	Flush	PNP NC	10...30VDC	≤200mA	650Hz	-25...70°C	M12 Connector	Fig.3
Fi4-M12-CN6L-Q12	4mm	Flush	NPN NC	10...30VDC	≤200mA	650Hz	-25...70°C	M12 Connector	Fig.3
Ni8-M12-OP6L-Q12	8mm	Non-flush	PNP NO	10...30VDC	≤200mA	500Hz	-25...70°C	M12 Connector	Fig.4
Ni8-M12-ON6L-Q12	8mm	Non-flush	NPN NO	10...30VDC	≤200mA	500Hz	-25...70°C	M12 Connector	Fig.4
Ni8-M12-CP6L-Q12	8mm	Non-flush	PNP NC	10...30VDC	≤200mA	500Hz	-25...70°C	M12 Connector	Fig.4
Ni8-M12-CN6L-Q12	8mm	Non-flush	NPN NC	10...30VDC	≤200mA	500Hz	-25...70°C	M12 Connector	Fig.4

Dimensions:



Dimensions:



<< Inductive Sensor

Long-Sensing Metal Barrel-M12



Description:

Brass nickel-plated, threaded barrel, extended operating distance, DC 4-wire output, IP67 protection class, LED indicator.

See the wiring diagram on page 231-233 for your reference.

Long-Sensing Metal Barrel-M12



Description:

Brass nickel-plated, threaded barrel, extended operating distance, AC 2-wire output, IP67 protection class, LED indicator.

See the wiring diagram on page 231-233 for your reference.

Technical Data:

Type	Rated Operating Distance S_n	Mounting	Output	Voltage Range U_b	Rated Current	Switching Frequency	Ambient Temperature	Connection	Fig
Fi4-M12-BP6L	4mm	Flush	NO+NC PNP	10...30VDC	≤200mA	650Hz	-25...70°C	2m cable	Fig.1
Fi4-M12-BN6L	4mm	Flush	NO+NC NPN	10...30VDC	≤200mA	650Hz	-25...70°C	2m cable	Fig.1
Ni8-M12-BP6L	8mm	Non-flush	NO+NC PNP	10...30VDC	≤200mA	500Hz	-25...70°C	2m cable	Fig.2
Ni8-M12-BN6L	8mm	Non-flush	NO+NC NPN	10...30VDC	≤200mA	500Hz	-25...70°C	2m cable	Fig.2
Fi4-M12-BP6L-Q12	4mm	Flush	NO+NC PNP	10...30VDC	≤200mA	650Hz	-25...70°C	M12 Connector	Fig.3
Fi4-M12-BN6L-Q12	4mm	Flush	NO+NC NPN	10...30VDC	≤200mA	650Hz	-25...70°C	M12 Connector	Fig.3
Ni8-M12-BP6L-Q12	8mm	Non-flush	NO+NC PNP	10...30VDC	≤200mA	500Hz	-25...70°C	M12 Connector	Fig.4
Ni8-M12-BN6L-Q12	8mm	Non-flush	NO+NC NPN	10...30VDC	≤200mA	500Hz	-25...70°C	M12 Connector	Fig.4

Technical Data:

Type	Rated Operating Distance S_n	Mounting	Output	Voltage Range U_b	Rated Current	Switching Frequency	Ambient Temperature	Connection	Fig
Fi4-M12-OSA3L	4mm	Flush	NO AC	20...250VAC	≤200mA	40Hz	-25...70°C	2m cable	Fig.1
Fi4-M12-CSA3L	4mm	Flush	NC AC	20...250VAC	≤200mA	40Hz	-25...70°C	2m cable	Fig.1
Ni8-M12-OSA3L	8mm	Non-flush	NO AC	20...250VAC	≤200mA	40Hz	-25...70°C	2m cable	Fig.2
Ni8-M12-CSA3L	8mm	Non-flush	NC AC	20...250VAC	≤200mA	40Hz	-25...70°C	2m cable	Fig.2
Fi4-M12-OSA3L-Q12	4mm	Flush	NO AC	20...250VAC	≤200mA	40Hz	-25...70°C	M12 Connector	Fig.3
Fi4-M12-CSA3L-Q12	4mm	Flush	NC AC	20...250VAC	≤200mA	40Hz	-25...70°C	M12 Connector	Fig.3
Ni8-M12-OSA3L-Q12	8mm	Non-flush	NO AC	20...250VAC	≤200mA	40Hz	-25...70°C	M12 Connector	Fig.4
Ni8-M12-CSA3L-Q12	8mm	Non-flush	NC AC	20...250VAC	≤200mA	40Hz	-25...70°C	M12 Connector	Fig.4

Dimensions:

Fig.1

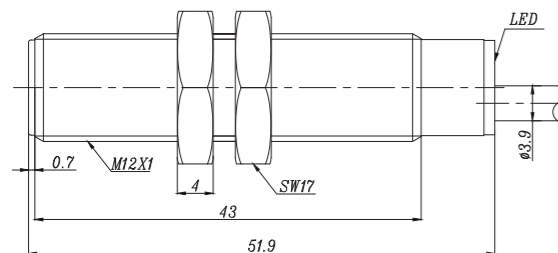


Fig.2

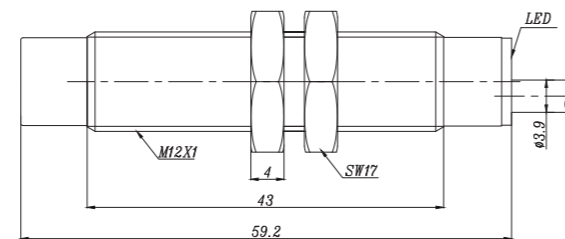


Fig.3

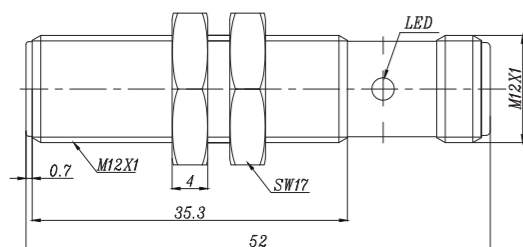
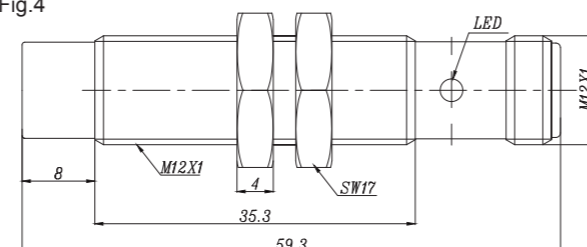


Fig.4



Dimensions:

Fig.1

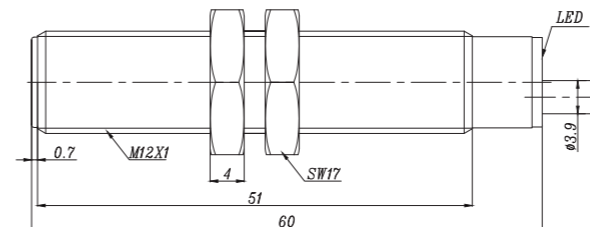


Fig.2

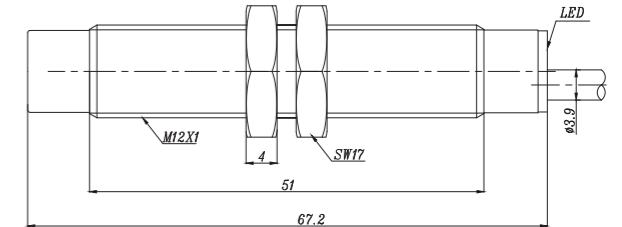


Fig.3

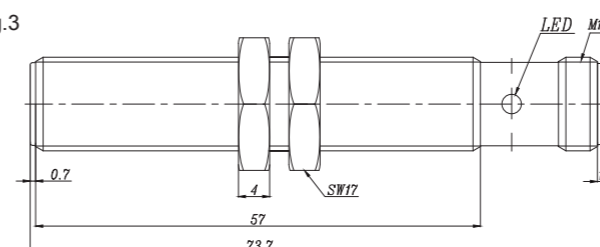
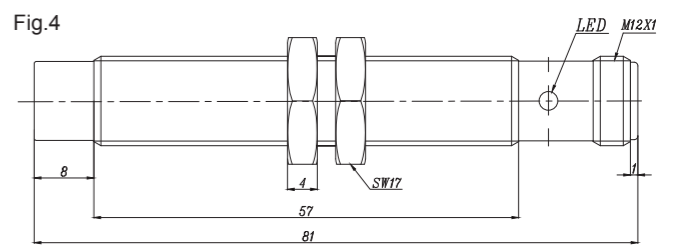


Fig.4



Long-Sensing Metal Barrel-M12

Long-Sensing Metal Barrel-M18



Description:

Brass nickel-plated, threaded barrel, extended operating distance, AC/DC 2-wire output, IP67 protection class, LED indicator.

See the wiring diagram on page 231-233 for your reference.



Description:

Brass nickel-plated, threaded barrel, extended operating distance, DC 2-wire output, IP67 protection class, LED indicator.

See the wiring diagram on page 231-233 for your reference.

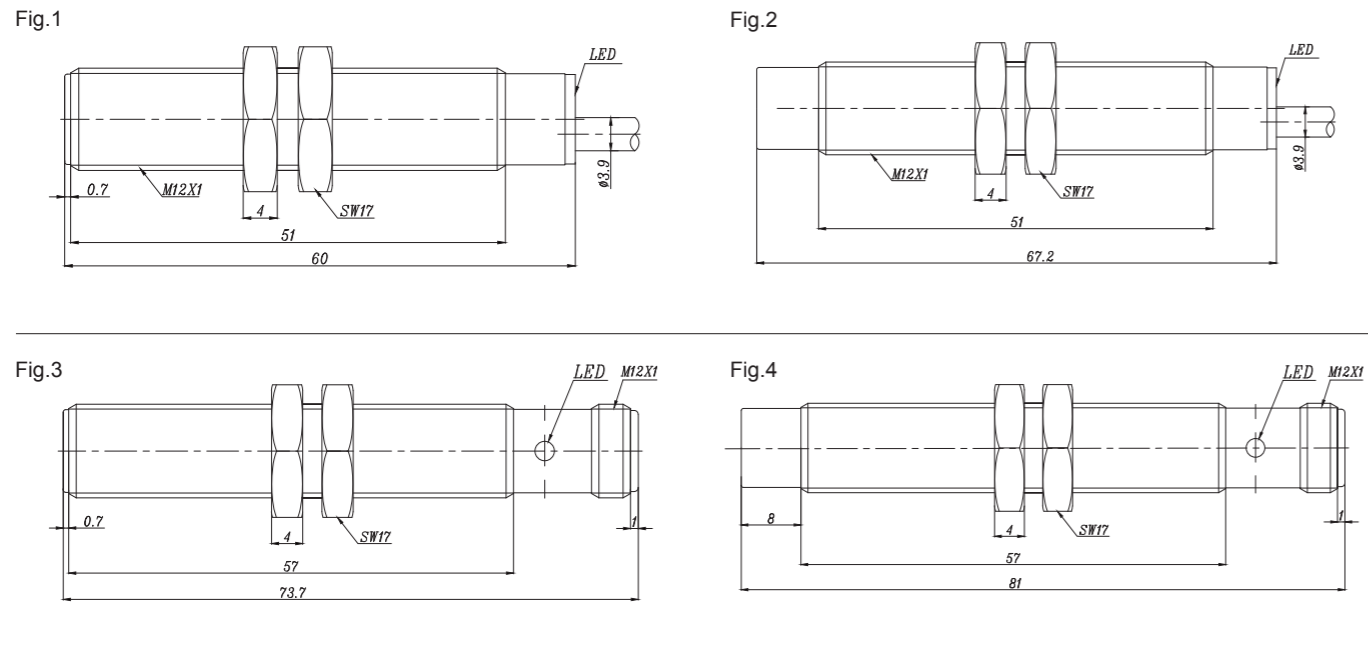
Technical Data:

Type	Rated Operating Distance Sn	Mounting	Output	Voltage Range U _s	Rated Current	Switching Frequency	Ambient Temperature	Connection	Fig
Fi4-M12-OA41L	4mm	Flush	NO DC/AC	20...250VAC/DC	DC≤100mA/AC≤200mA	20/650Hz	-25...70°C	2m cable	Fig.1
Fi4-M12-CA41L	4mm	Flush	NC DC/AC	20...250VAC/DC	DC≤100mA/AC≤200mA	20/650Hz	-25...70°C	2m cable	Fig.1
Ni8-M12-OA41L	8mm	Non-flush	NO DC/AC	20...250VAC/DC	DC≤100mA/AC≤200mA	20/500Hz	-25...70°C	2m cable	Fig.2
Ni8-M12-CA41L	8mm	Non-flush	NC DC/AC	20...250VAC/DC	DC≤100mA/AC≤200mA	20/500Hz	-25...70°C	2m cable	Fig.2
Fi4-M12-OA41L-Q12	4mm	Flush	NO DC/AC	20...250VAC/DC	DC≤100mA/AC≤200mA	20/650Hz	-25...70°C	M12 Connector	Fig.3
Fi4-M12-CA41L-Q12	4mm	Flush	NC DC/AC	20...250VAC/DC	DC≤100mA/AC≤200mA	20/650Hz	-25...70°C	M12 Connector	Fig.3
Ni8-M12-OA41L-Q12	8mm	Non-flush	NO DC/AC	20...250VAC/DC	DC≤100mA/AC≤200mA	20/500Hz	-25...70°C	M12 Connector	Fig.4
Ni8-M12-CA41L-Q12	8mm	Non-flush	NC DC/AC	20...250VAC/DC	DC≤100mA/AC≤200mA	20/500Hz	-25...70°C	M12 Connector	Fig.4

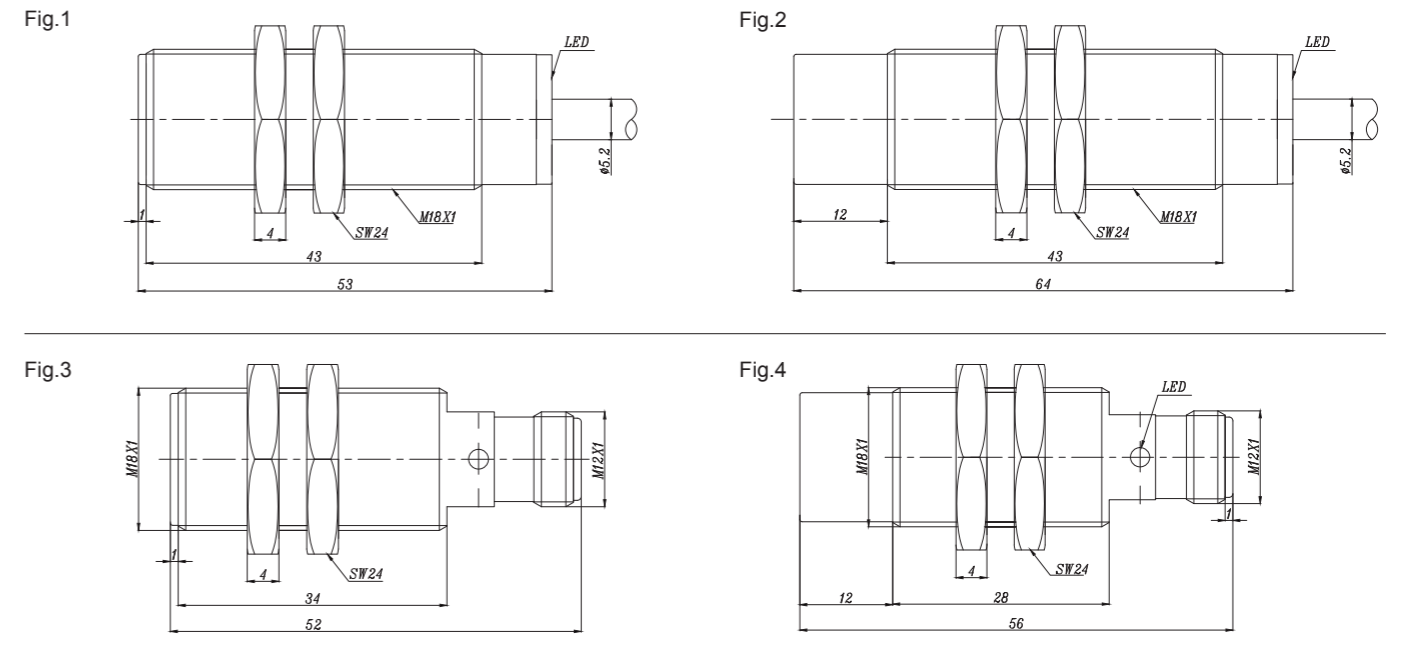
Technical Data:

Type	Rated Operating Distance Sn	Mounting	Output	Voltage Range U _s	Rated Current	Switching Frequency	Ambient Temperature	Connection	Fig
Fi8-M18-OD6L	8mm	Flush	NO DC	10...30VDC	≤100mA	500Hz	-25...70°C	2m cable	Fig.1
Fi8-M18-CD6L	8mm	Flush	NC DC	10...30VDC	≤100mA	500Hz	-25...70°C	2m cable	Fig.1
Ni12-M18-OD6L	12mm	Non-flush	NO DC	10...30VDC	≤100mA	350Hz	-25...70°C	2m cable	Fig.2
Ni12-M18-CD6L	12mm	Non-flush	NC DC	10...30VDC	≤100mA	350Hz	-25...70°C	2m cable	Fig.2
Fi8-M18-OD6L-Q12	8mm	Flush	NO DC	10...30VDC	≤100mA	500Hz	-25...70°C	M12 Connector	Fig.3
Fi8-M18-CD6L-Q12	8mm	Flush	NC DC	10...30VDC	≤100mA	500Hz	-25...70°C	M12 Connector	Fig.3
Ni12-M18-OD6L-Q12	12mm	Non-flush	NO DC	10...30VDC	≤100mA	350Hz	-25...70°C	M12 Connector	Fig.4
Ni12-M18-CD6L-Q12	12mm	Non-flush	NC DC	10...30VDC	≤100mA	350Hz	-25...70°C	M12 Connector	Fig.4

Dimensions:



Dimensions:





Description:

Brass nickel-plated, threaded barrel, extended operating distance, DC 3-wire output, IP67 protection class, LED indicator.

See the wiring diagram on page 231-233 for your reference.



Description:

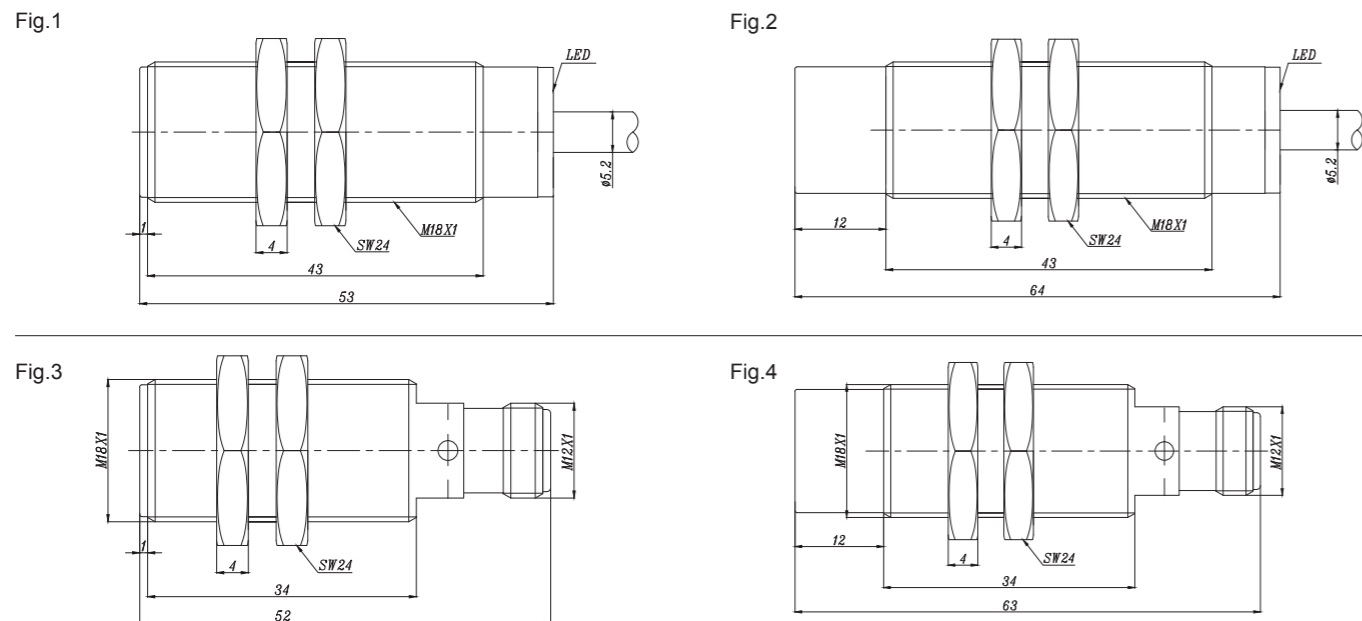
Brass nickel-plated, threaded barrel, extended operating distance, DC 3-wire output, IP67 protection class, LED indicator.

See the wiring diagram on page 231-233 for your reference.

Technical Data:

Type	Rated Operating Distance Sn	Mounting	Output	Voltage Range U _B	Rated Current	Switching Frequency	Ambient Temperature	Connection	Fig
Fi8-M18-OP6L	8mm	Flush	NO PNP	10...30VDC	≤200mA	500Hz	-25...70°C	2m cable	Fig.1
Fi8-M18-ON6L	8mm	Flush	NO NPN	10...30VDC	≤200mA	500Hz	-25...70°C	2m cable	Fig.1
Fi8-M18-CP6L	8mm	Flush	NC PNP	10...30VDC	≤200mA	500Hz	-25...70°C	2m cable	Fig.1
Fi8-M18-CN6L	8mm	Flush	NC NPN	10...30VDC	≤200mA	500Hz	-25...70°C	2m cable	Fig.1
Ni12-M18-OP6L	12mm	Non-flush	NO PNP	10...30VDC	≤200mA	350Hz	-25...70°C	2m cable	Fig.2
Ni12-M18-ON6L	12mm	Non-flush	NO NPN	10...30VDC	≤200mA	350Hz	-25...70°C	2m cable	Fig.2
Ni12-M18-CP6L	12mm	Non-flush	NC PNP	10...30VDC	≤200mA	350Hz	-25...70°C	2m cable	Fig.2
Ni12-M18-CN6L	12mm	Non-flush	NC NPN	10...30VDC	≤200mA	350Hz	-25...70°C	2m cable	Fig.2
Fi8-M18-OP6L-Q12	8mm	Flush	NO PNP	10...30VDC	≤200mA	500Hz	-25...70°C	M12 Connector	Fig.3
Fi8-M18-ON6L-Q12	8mm	Flush	NO NPN	10...30VDC	≤200mA	500Hz	-25...70°C	M12 Connector	Fig.3
Fi8-M18-CP6L-Q12	8mm	Flush	NC PNP	10...30VDC	≤200mA	500Hz	-25...70°C	M12 Connector	Fig.3
Fi8-M18-CN6L-Q12	8mm	Flush	NC NPN	10...30VDC	≤200mA	500Hz	-25...70°C	M12 Connector	Fig.3
Ni12-M18-OP6L-Q12	12mm	Non-flush	NO PNP	10...30VDC	≤200mA	350Hz	-25...70°C	M12 Connector	Fig.4
Ni12-M18-ON6L-Q12	12mm	Non-flush	NO NPN	10...30VDC	≤200mA	350Hz	-25...70°C	M12 Connector	Fig.4
Ni12-M18-CP6L-Q12	12mm	Non-flush	NC PNP	10...30VDC	≤200mA	350Hz	-25...70°C	M12 Connector	Fig.4
Ni12-M18-CN6L-Q12	12mm	Non-flush	NC NPN	10...30VDC	≤200mA	350Hz	-25...70°C	M12 Connector	Fig.4

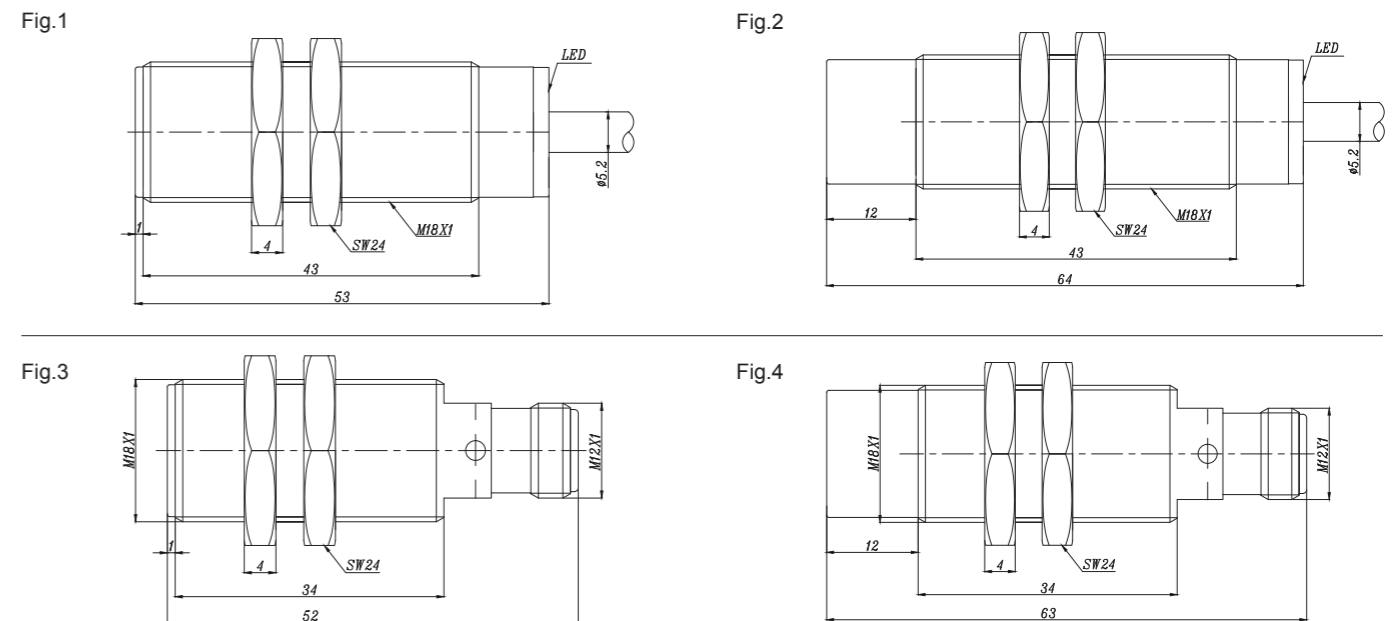
Dimensions:



Technical Data:

Type	Rated Operating Distance Sn	Mounting	Output	Voltage Range U _B	Rated Current	Switching Frequency	Ambient Temperature	Connection	Fig
Fi8-M18-BP6L	8mm	Flush	NO+NC PNP	10...30VDC	≤200mA	500Hz	-25...70°C	2m cable	Fig.1
Fi8-M18-BN6L	8mm	Flush	NO+NC NPN	10...30VDC	≤200mA	500Hz	-25...70°C	2m cable	Fig.1
Ni12-M18-BP6L	12mm	Non-flush	NO+NC PNP	10...30VDC	≤200mA	350Hz	-25...70°C	2m cable	Fig.2
Ni12-M18-BN6L	12mm	Non-flush	NO+NC NPN	10...30VDC	≤200mA	350Hz	-25...70°C	2m cable	Fig.2
Fi8-M18-BP6L-Q12	8mm	Flush	NO+NC PNP	10...30VDC	≤200mA	500Hz	-25...70°C	M12 Connector	Fig.3
Fi8-M18-BN6L-Q12	8mm	Flush	NO+NC NPN	10...30VDC	≤200mA	500Hz	-25...70°C	M12 Connector	Fig.3
Ni12-M18-BP6L-Q12	12mm	Non-flush	NO+NC PNP	10...30VDC	≤200mA	350Hz	-25...70°C	M12 Connector	Fig.4
Ni12-M18-BN6L-Q12	12mm	Non-flush	NO+NC NPN	10...30VDC	≤200mA	350Hz	-25...70°C	M12 Connector	Fig.4

Dimensions:





Description:

Brass nickel-plated, threaded barrel, extended operating distance, AC 2-wire output, IP67 protection class, LED indicator.

See the wiring diagram on page 231-233 for your reference.



Description:

Brass nickel-plated, threaded barrel, extended operating distance, AC 2-wire output, IP67 protection class, LED indicator.

See the wiring diagram on page 231-233 for your reference.

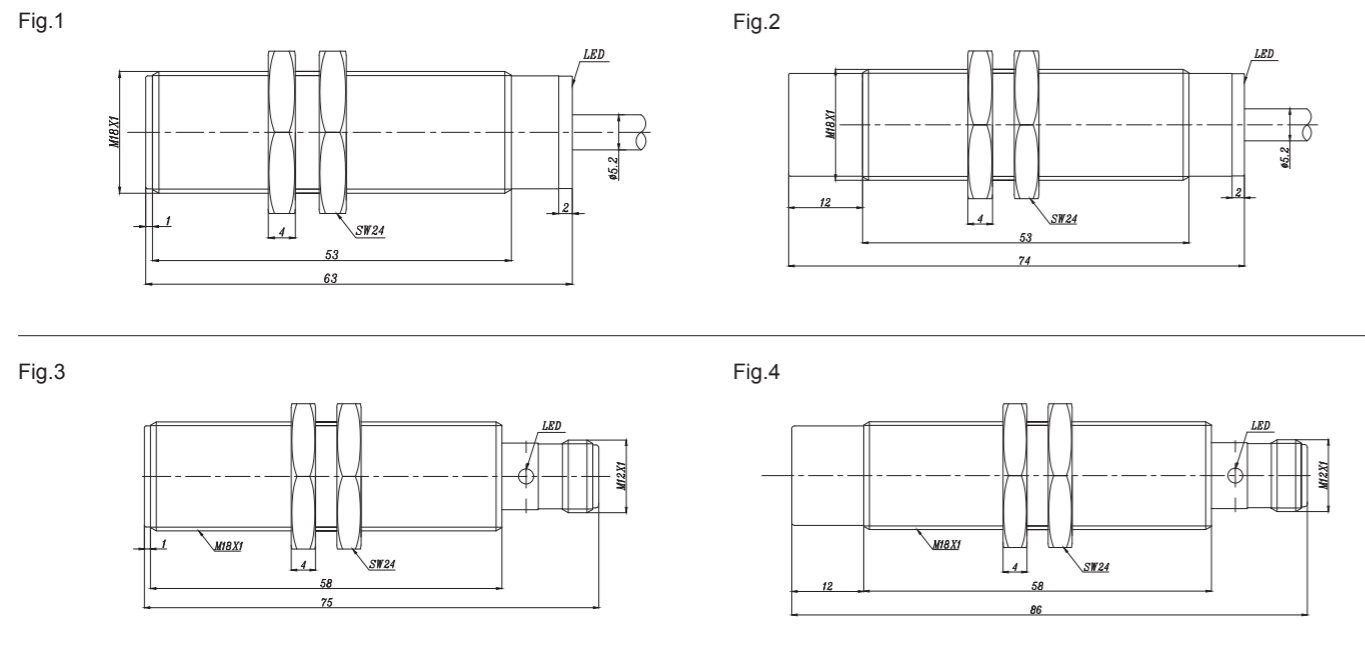
Technical Data:

Type	Rated Operating Distance Sn	Mounting	Output	Voltage Range U _B	Rated Current	Switching Frequency	Ambient Temperature	Connection	Fig
Fi8-M18-OSA3L	8mm	Flush	NO AC	20...250VAC	≤200mA	40Hz	-25...70°C	2m cable	Fig.1
Fi8-M18-CSA3L	8mm	Flush	NC AC	20...250VAC	≤200mA	40Hz	-25...70°C	2m cable	Fig.1
Ni12-M18-OSA3L	12mm	Non-flush	NO AC	20...250VAC	≤200mA	40Hz	-25...70°C	2m cable	Fig.2
Ni12-M18-CSA3L	12mm	Non-flush	NC AC	20...250VAC	≤200mA	40Hz	-25...70°C	2m cable	Fig.2
Fi8-M18-OSA3L-Q12	8mm	Flush	NO AC	20...250VAC	≤200mA	40Hz	-25...70°C	M12 Connector	Fig.3
Fi8-M18-CSA3L-Q12	8mm	Flush	NC AC	20...250VAC	≤200mA	40Hz	-25...70°C	M12 Connector	Fig.3
Ni12-M18-OSA3L-Q12	12mm	Non-flush	NO AC	20...250VAC	≤200mA	40Hz	-25...70°C	M12 Connector	Fig.4
Ni12-M18-CSA3L-Q12	12mm	Non-flush	NC AC	20...250VAC	≤200mA	40Hz	-25...70°C	M12 Connector	Fig.4

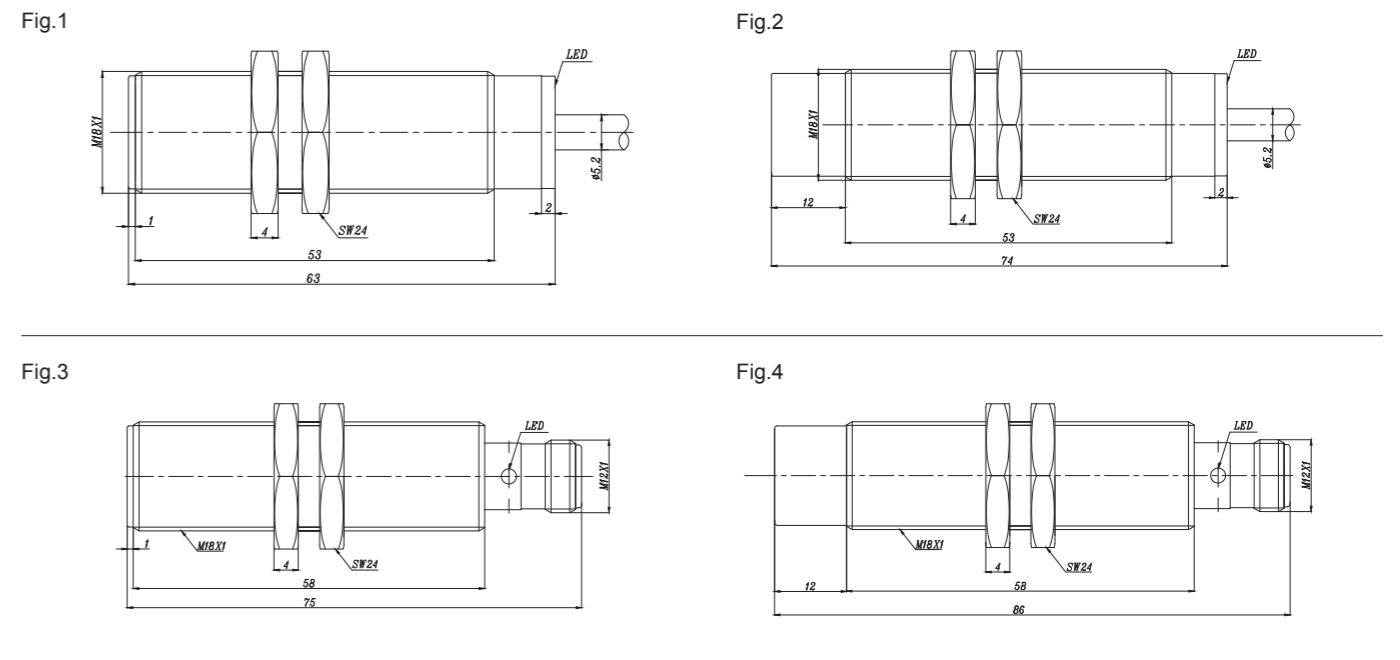
Technical Data:

Type	Rated Operating Distance Sn	Mounting	Output	Voltage Range U _B	Rated Current	Switching Frequency	Ambient Temperature	Connection	Fig
Fi8-M18-OA41L	8mm	Flush	NO DC/AC	20...250VAC/DC	DC≤100mA/AC≤200mA	20/500Hz	-25...70°C	2m cable	Fig.1
Fi8-M18-CA41L	8mm	Flush	NC DC/AC	20...250VAC/DC	DC≤100mA/AC≤200mA	20/500Hz	-25...70°C	2m cable	Fig.1
Ni12-M18-OA41L	12mm	Non-flush	NO DC/AC	20...250VAC/DC	DC≤100mA/AC≤200mA	20/350Hz	-25...70°C	2m cable	Fig.2
Ni12-M18-CA41L	12mm	Non-flush	NC DC/AC	20...250VAC/DC	DC≤100mA/AC≤200mA	20/350Hz	-25...70°C	2m cable	Fig.2
Fi8-M18-OA41L-Q12	8mm	Flush	NO DC/AC	20...250VAC/DC	DC≤100mA/AC≤200mA	20/500Hz	-25...70°C	M12 Connector	Fig.3
Fi8-M18-CA41L-Q12	8mm	Flush	NC DC/AC	20...250VAC/DC	DC≤100mA/AC≤200mA	20/500Hz	-25...70°C	M12 Connector	Fig.3
Ni12-M18-OA41L-Q12	12mm	Non-flush	NO DC/AC	20...250VAC/DC	DC≤100mA/AC≤200mA	20/350Hz	-25...70°C	M12 Connector	Fig.4
Ni12-M18-CA41L-Q12	12mm	Non-flush	NC DC/AC	20...250VAC/DC	DC≤100mA/AC≤200mA	20/350Hz	-25...70°C	M12 Connector	Fig.4

Dimensions:



Dimensions:





Description:

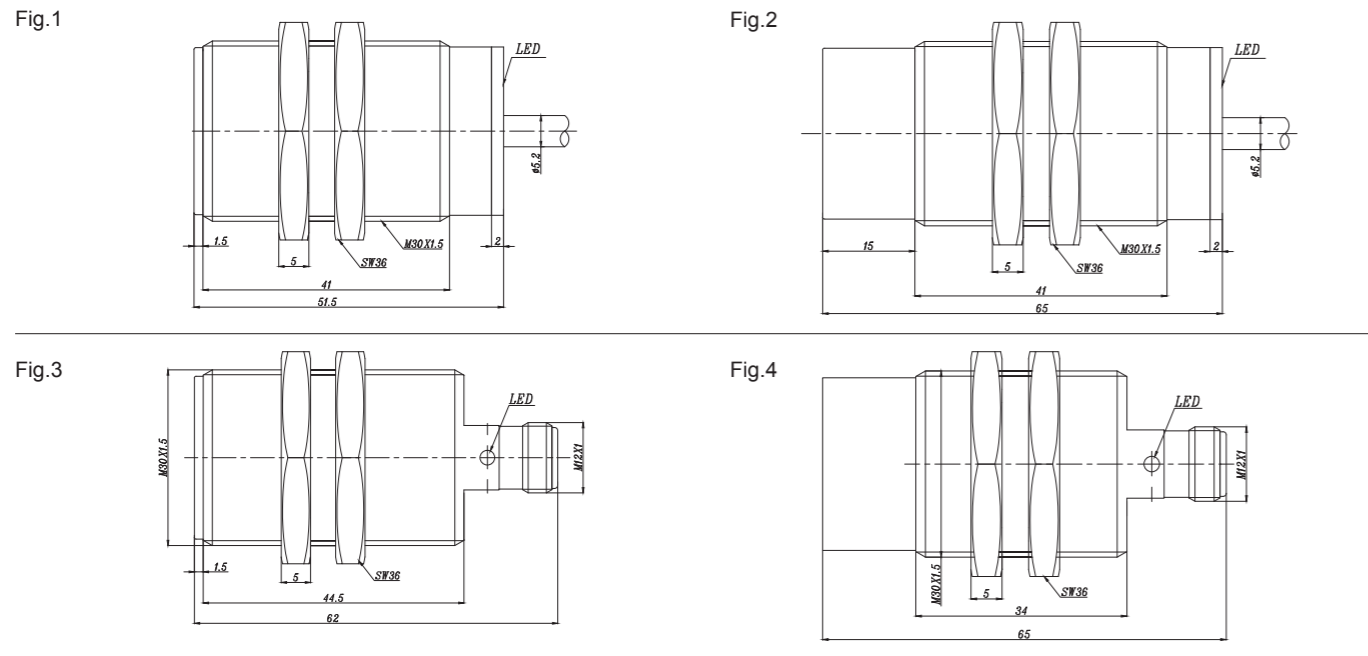
Brass nickel-plated, threaded barrel, extended operating distance, DC 2-wire output, IP67 protection class, LED indicator.

See the wiring diagram on page 231-233 for your reference.

Technical Data:

Type	Rated Operating Distance Sn	Mounting	Output	Voltage Range U _b	Rated Current	Switching Frequency	Ambient Temperature	Connection	Fig
Fi15-M30-OD6L	15mm	Flush	NO DC	10...30VDC	≤100mA	350Hz	-25...70°C	2m cable	Fig.1
Fi15-M30-CD6L	15mm	Flush	NC DC	10...30VDC	≤100mA	350Hz	-25...70°C	2m cable	Fig.1
Ni22-M30-OD6L	22mm	Non-flush	NO DC	10...30VDC	≤100mA	200Hz	-25...70°C	2m cable	Fig.2
Ni22-M30-CD6L	22mm	Non-flush	NC DC	10...30VDC	≤100mA	200Hz	-25...70°C	2m cable	Fig.2
Fi15-M30-OD6L-Q12	15mm	Flush	NO DC	10...30VDC	≤100mA	350Hz	-25...70°C	M12 Connector	Fig.3
Fi15-M30-CD6L-Q12	15mm	Flush	NC DC	10...30VDC	≤100mA	350Hz	-25...70°C	M12 Connector	Fig.3
Ni22-M30-OD6L-Q12	22mm	Non-flush	NO DC	10...30VDC	≤100mA	200Hz	-25...70°C	M12 Connector	Fig.4
Ni22-M30-CD6L-Q12	22mm	Non-flush	NC DC	10...30VDC	≤100mA	200Hz	-25...70°C	M12 Connector	Fig.4

Dimensions:



Description:

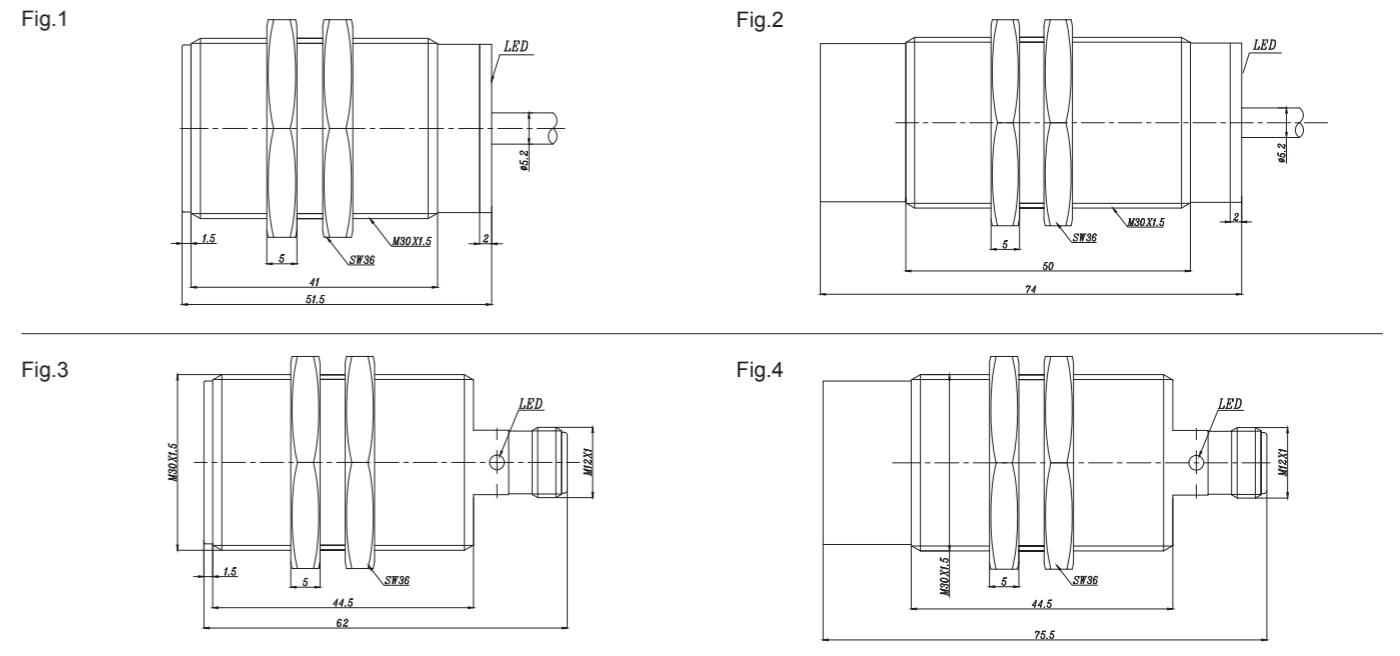
Brass nickel-plated, threaded barrel, extended operating distance, DC 3-wire output, IP67 protection class, LED indicator.

See the wiring diagram on page 231-233 for your reference.

Technical Data:

Type	Rated Operating Distance Sn	Mounting	Output	Voltage Range U _b	Rated Current	Switching Frequency	Ambient Temperature	Connection	Fig
Fi15-M30-OP6L	15mm	Flush	NO PNP	10...30VDC	≤200mA	350Hz	-25...70°C	2m cable	Fig.1
Fi15-M30-ON6L	15mm	Flush	NO NPN	10...30VDC	≤200mA	350Hz	-25...70°C	2m cable	Fig.1
Fi15-M30-CP6L	15mm	Flush	NC PNP	10...30VDC	≤200mA	350Hz	-25...70°C	2m cable	Fig.1
Fi15-M30-CN6L	15mm	Flush	NC NPN	10...30VDC	≤200mA	350Hz	-25...70°C	2m cable	Fig.1
Ni22-M30-OP6L	22mm	Non-flush	NO PNP	10...30VDC	≤200mA	200Hz	-25...70°C	2m cable	Fig.2
Ni22-M30-ON6L	22mm	Non-flush	NO NPN	10...30VDC	≤200mA	200Hz	-25...70°C	2m cable	Fig.2
Ni22-M30-CP6L	22mm	Non-flush	NC PNP	10...30VDC	≤200mA	200Hz	-25...70°C	2m cable	Fig.2
Ni22-M30-CN6L	22mm	Non-flush	NC NPN	10...30VDC	≤200mA	200Hz	-25...70°C	2m cable	Fig.2
Fi15-M30-OP6L-Q12	15mm	Flush	NO PNP	10...30VDC	≤200mA	350Hz	-25...70°C	M12 Connector	Fig.3
Fi15-M30-ON6L-Q12	15mm	Flush	NO NPN	10...30VDC	≤200mA	350Hz	-25...70°C	M12 Connector	Fig.3
Fi15-M30-CP6L-Q12	15mm	Flush	NC PNP	10...30VDC	≤200mA	350Hz	-25...70°C	M12 Connector	Fig.3
Fi15-M30-CN6L-Q12	15mm	Flush	NC NPN	10...30VDC	≤200mA	350Hz	-25...70°C	M12 Connector	Fig.3
Ni22-M30-OP6L-Q12	22mm	Non-flush	NO PNP	10...30VDC	≤200mA	200Hz	-25...70°C	M12 Connector	Fig.4
Ni22-M30-ON6L-Q12	22mm	Non-flush	NO NPN	10...30VDC	≤200mA	200Hz	-25...70°C	M12 Connector	Fig.4
Ni22-M30-CP6L-Q12	22mm	Non-flush	NC PNP	10...30VDC	≤200mA	200Hz	-25...70°C	M12 Connector	Fig.4
Ni22-M30-CN6L-Q12	22mm	Non-flush	NC NPN	10...30VDC	≤200mA	200Hz	-25...70°C	M12 Connector	Fig.4

Dimensions:



<< Inductive Sensor

Long-Sensing Metal Barrel-M30



Description:

Brass nickel-plated, threaded barrel, extended operating distance, DC 4-wire output, IP67 protection class, LED indicator.

See the wiring diagram on page 231-233 for your reference.

Long-Sensing Metal Barrel-M30



Description:

Brass nickel-plated, threaded barrel, extended operating distance, AC 2-wire output, IP67 protection class, LED indicator.

See the wiring diagram on page 231-233 for your reference.

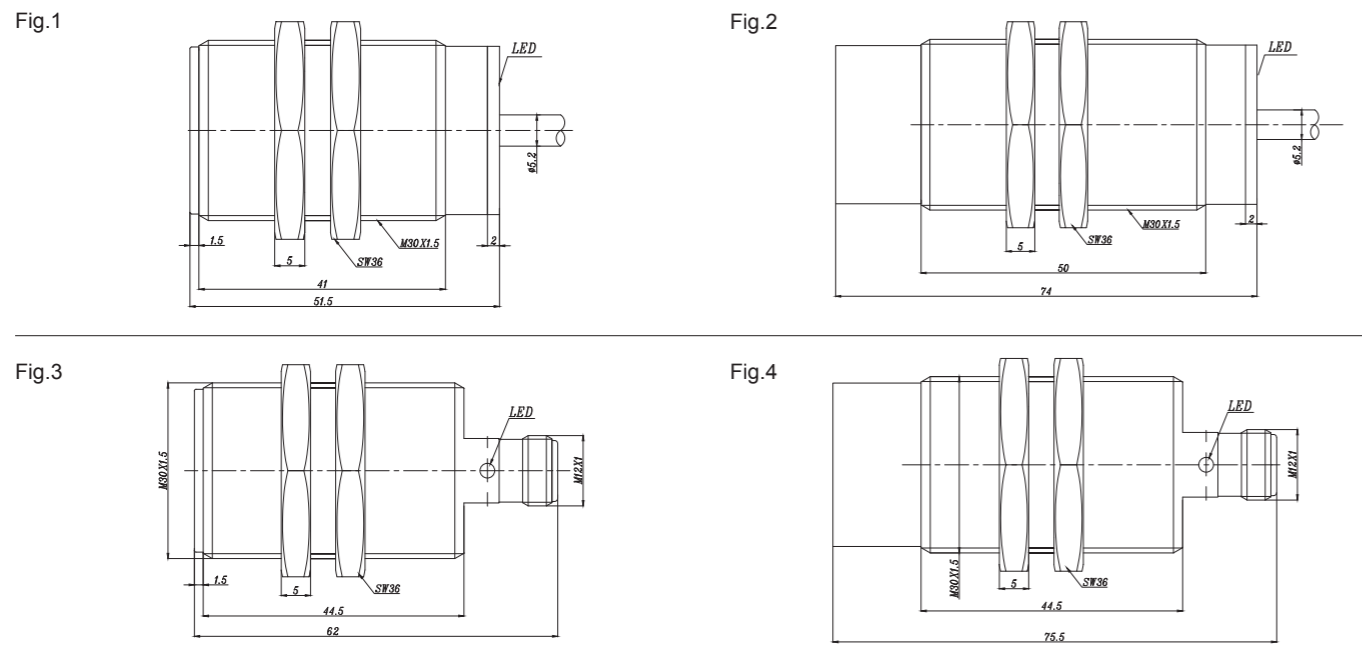
Technical Data:

Type	Rated Operating Distance Sn	Mounting	Output	Voltage Range U _B	Rated Current	Switching Frequency	Ambient Temperature	Connection	Fig
Fi15-M30-BP6L	15mm	Flush	NO+NC PNP	10...30VDC	≤200mA	350Hz	-25...70°C	2m cable	Fig.1
Fi15-M30-BN6L	15mm	Flush	NO+NC NPN	10...30VDC	≤200mA	350Hz	-25...70°C	2m cable	Fig.1
Ni22-M30-BP6L	22mm	Non-flush	NO+NC PNP	10...30VDC	≤200mA	200Hz	-25...70°C	2m cable	Fig.2
Ni22-M30-BN6L	22mm	Non-flush	NO+NC NPN	10...30VDC	≤200mA	200Hz	-25...70°C	2m cable	Fig.2
Fi15-M30-BP6L-Q12	15mm	Flush	NO+NC PNP	10...30VDC	≤200mA	350Hz	-25...70°C	M12 Connector	Fig.3
Fi15-M30-BN6L-Q12	15mm	Flush	NO+NC NPN	10...30VDC	≤200mA	350Hz	-25...70°C	M12 Connector	Fig.3
Ni22-M30-BP6L-Q12	22mm	Non-flush	NO+NC PNP	10...30VDC	≤200mA	200Hz	-25...70°C	M12 Connector	Fig.4
Ni22-M30-BN6L-Q12	22mm	Non-flush	NO+NC NPN	10...30VDC	≤200mA	200Hz	-25...70°C	M12 Connector	Fig.4

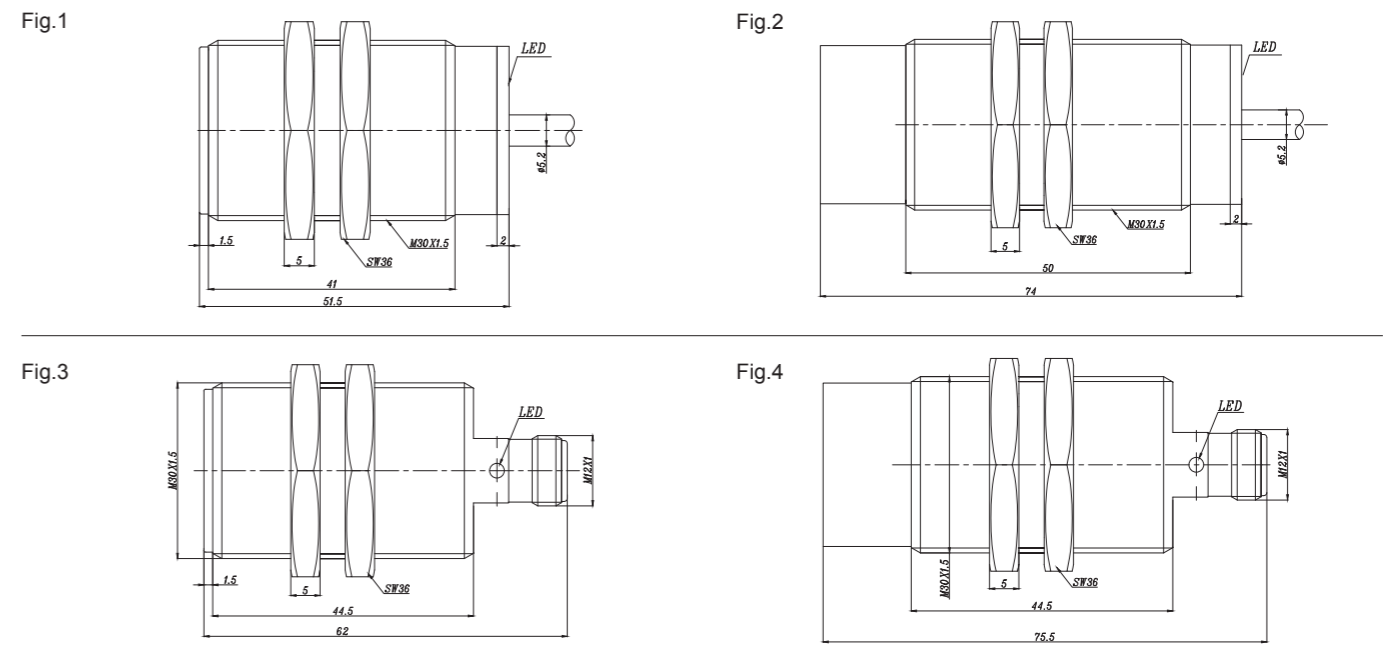
Technical Data:

Type	Rated Operating Distance Sn	Mounting	Output	Voltage Range U _B	Rated Current	Switching Frequency	Ambient Temperature	Connection	Fig
Fi15-M30-OSA3L	15mm	Flush	NO AC	20...250VAC	≤200mA	40Hz	-25...70°C	2m cable	Fig.1
Fi15-M30-CSA3L	15mm	Flush	NC AC	20...250VAC	≤200mA	40Hz	-25...70°C	2m cable	Fig.1
Ni22-M30-OSA3L	22mm	Non-flush	NO AC	20...250VAC	≤200mA	40Hz	-25...70°C	2m cable	Fig.2
Ni22-M30-CSA3L	22mm	Non-flush	NC AC	20...250VAC	≤200mA	40Hz	-25...70°C	2m cable	Fig.2
Fi15-M30-OSA3L-Q12	15mm	Flush	NO AC	20...250VAC	≤200mA	40Hz	-25...70°C	M12 Connector	Fig.3
Fi15-M30-CSA3L-Q12	15mm	Flush	NC AC	20...250VAC	≤200mA	40Hz	-25...70°C	M12 Connector	Fig.3
Ni22-M30-OSA3L-Q12	22mm	Non-flush	NO AC	20...250VAC	≤200mA	40Hz	-25...70°C	M12 Connector	Fig.4
Ni22-M30-CSA3L-Q12	22mm	Non-flush	NC AC	20...250VAC	≤200mA	40Hz	-25...70°C	M12 Connector	Fig.4

Dimensions:



Dimensions:



<< Inductive Sensor

Long-Sensing Metal Barrel-M30



Description:

Brass nickel-plated, threaded barrel, extended operating distance, AC/DC 2-wire output, IP67 protection class, LED indicator.

See the wiring diagram on page 231-233 for your reference.

Technical Data:

Type	Rated Operating Distance Sn	Mounting	Output	Voltage Range U _B	Rated Current	Switching Frequency	Ambient Temperature	Connection	Fig
F15-M30-OA41L	15mm	Flush	NO DC/AC	20...250VAC/DC	DC≤100mA/AC≤200mA	20/350Hz	-25...70°C	2m cable	Fig.1
F15-M30-CA41L	15mm	Flush	NC DC/AC	20...250VAC/DC	DC≤100mA/AC≤200mA	20/350Hz	-25...70°C	2m cable	Fig.1
N122-M30-OA41L	22mm	Non-flush	NO DC/AC	20...250VAC/DC	DC≤100mA/AC≤200mA	20/200Hz	-25...70°C	2m cable	Fig.2
N122-M30-CA41L	22mm	Non-flush	NC DC/AC	20...250VAC/DC	DC≤100mA/AC≤200mA	20/200Hz	-25...70°C	2m cable	Fig.2

Dimensions:

Fig.1

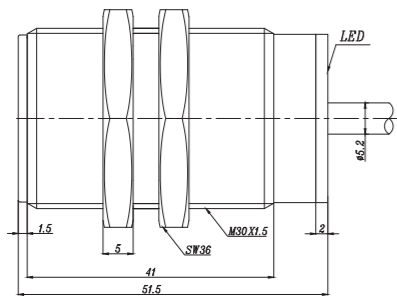
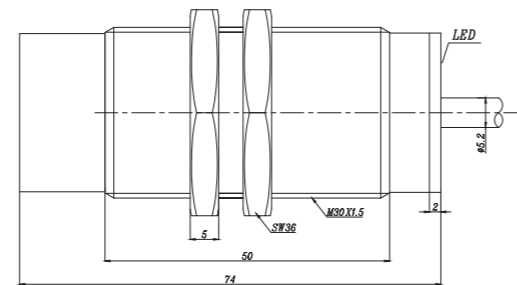


Fig.2



<< Inductive Sensor

Metal Barrel-G-series



Description:

Brass nickel-plated, threaded barrel, extended operating distance, DC 2-wire output, IP68 protection class, LED indicator.

See the wiring diagram on page 231-233 for your reference.

Technical Data:

Type	Rated Operating Distance Sn	Mounting	Output	Voltage Range U _s	Rated Current	Switching Frequency	Ambient Temperature	Connection	Fig
Fi2-G08-OD6L	2mm	Flush	DC NO	10...30VDC	≤100mA	800Hz	-30...85°C	2m cable	Fig.1
Fi2-G08-CD6L	2mm	Flush	DC NC	10...30VDC	≤100mA	800Hz	-30...85°C	2m cable	Fig.1
Ni4-G08-OD6L	4mm	Non-flush	DC NO	10...30VDC	≤100mA	600Hz	-30...85°C	2m cable	Fig.2
Ni4-G08-CD6L	4mm	Non-flush	DC NC	10...30VDC	≤100mA	600Hz	-30...85°C	2m cable	Fig.2

Dimensions:

Fig.1

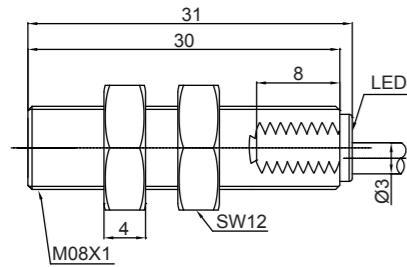
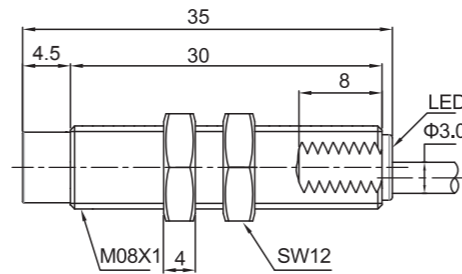


Fig.2



Metal Barrel-G-series



Description:

Brass nickel-plated, threaded barrel, extended operating distance, DC 2-wire output, AC/DC 2-wire output, IP68 protection class, LED indicator.

See the wiring diagram on page 231-233 for your reference.

Technical Data:

Type	Rated Operating Distance Sn	Mounting	Output	Voltage Range U _s	Rated Current	Switching Frequency	Ambient Temperature	Connection	Fig
Fi4-G12-OD6L	4mm	Flush	DC NO	10...30VDC	≤100mA	650Hz	-30...85°C	2m cable	Fig.1
Fi4-G12-CD6L	4mm	Flush	DC NC	10...30VDC	≤100mA	650Hz	-30...85°C	2m cable	Fig.1
Fi4-G12-OA41L	4mm	Flush	AC/DC NO	20...250VAC/DC	DC≤100mA/AC≤200mA	20/650Hz	-30...85°C	2m cable	Fig.2
Fi4-G12-CA41L	4mm	Flush	AC/DC NC	20...250VAC/DC	DC≤100mA/AC≤200mA	20/650Hz	-30...85°C	2m cable	Fig.2
Ni6-G12-OD6L	6mm	Non-flush	DC NO	10...30VDC	≤100mA	600Hz	-30...85°C	2m cable	Fig.3
Ni6-G12-CD6L	6mm	Non-flush	DC NC	10...30VDC	≤100mA	600Hz	-30...85°C	2m cable	Fig.3
Ni8-G12-OD6L	8mm	Non-flush	DC NO	10...30VDC	≤100mA	500Hz	-30...85°C	2m cable	Fig.3
Ni8-G12-CD6L	8mm	Non-flush	DC NC	10...30VDC	≤100mA	500Hz	-30...85°C	2m cable	Fig.3
Ni6-G12-OA41L	6mm	Non-flush	AC/DC NO	20...250VAC/DC	DC≤100mA/AC≤200mA	20/600Hz	-30...85°C	2m cable	Fig.4
Ni6-G12-CA41L	6mm	Non-flush	AC/DC NC	20...250VAC/DC	DC≤100mA/AC≤200mA	20/600Hz	-30...85°C	2m cable	Fig.4
Ni8-G12-OA41L	8mm	Non-flush	AC/DC NO	20...250VAC/DC	DC≤100mA/AC≤200mA	20/500Hz	-30...85°C	2m cable	Fig.4
Ni8-G12-CA41L	8mm	Non-flush	AC/DC NC	20...250VAC/DC	DC≤100mA/AC≤200mA	20/500Hz	-30...85°C	2m cable	Fig.4

Dimensions:

Fig.1

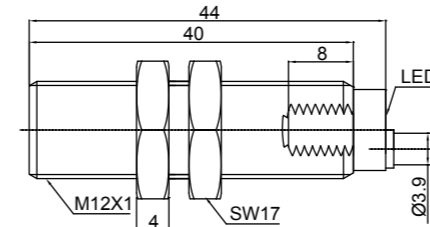


Fig.2

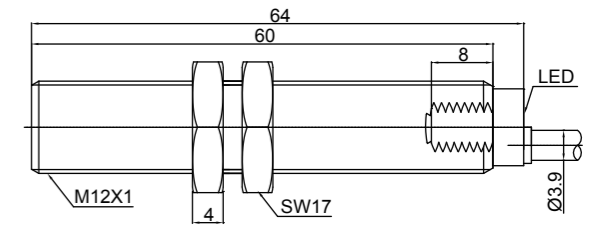


Fig.3

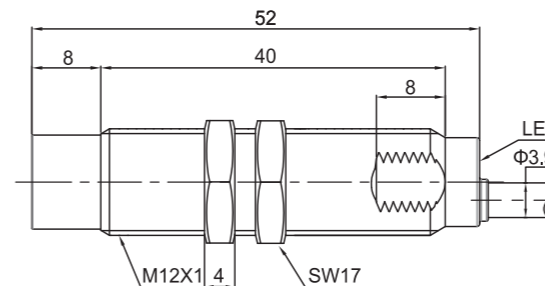
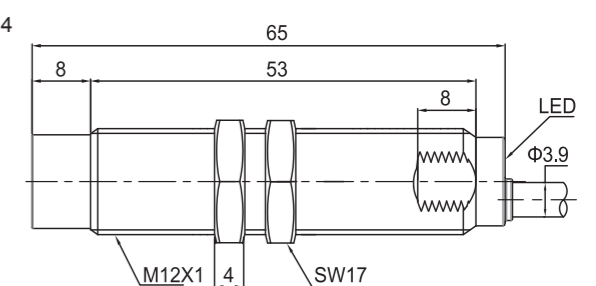


Fig.4



<< Inductive Sensor

Metal Barrel-G-series



Description:

Brass nickel-plated, threaded barrel, extended operating distance, DC 2-wire output, IP68 protection class, LED indicator.

See the wiring diagram on page 231-233 for your reference.

Technical Data:

Type	Rated Operating Distance Sn	Mounting	Output	Voltage Range U_B	Rated Current	Switching Frequency	Ambient Temperature	Connection	Fig
Fi2-G08-OD6L-Q8	2mm	Flush	DC NO	10...30VDC	≤100mA	1200Hz	-30...85°C	M8 Connector	Fig.1
Fi2-G08-CD6L-Q8	2mm	Flush	DC NC	10...30VDC	≤100mA	1200Hz	-30...85°C	M8 Connector	Fig.1
Ni4-G08-OD6L-Q8	4mm	Non-flush	DC NO	10...30VDC	≤100mA	750Hz	-30...85°C	M8 Connector	Fig.2
Ni4-G08-CD6L-Q8	4mm	Non-flush	DC NC	10...30VDC	≤100mA	750Hz	-30...85°C	M8 Connector	Fig.2

Dimensions:

Fig.1

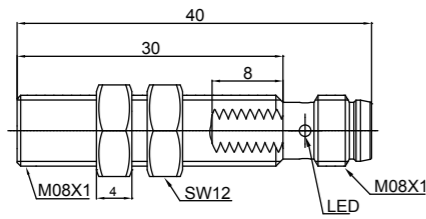
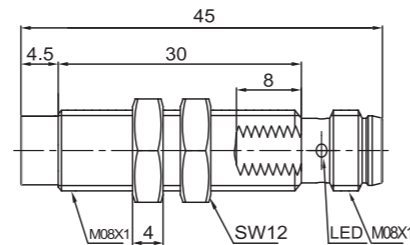


Fig.2



Metal Barrel-G-series



Description:

Brass nickel-plated, threaded barrel, extended operating distance, DC 2-wire output, AC/DC 2-wire output, IP68 protection class, LED indicator.

See the wiring diagram on page 231-233 for your reference.

Technical Data:

Type	Rated Operating Distance Sn	Mounting	Output	Voltage Range U_B	Rated Current	Switching Frequency	Ambient Temperature	Connection	Fig
Fi4-G12-OD6L-Q12	4mm	Flush	DC NO	10...30VDC	≤100mA	650Hz	-30...85°C	M12 Connector	Fig.1
Fi4-G12-CD6L-Q12	4mm	Flush	DC NC	10...30VDC	≤100mA	650Hz	-30...85°C	M12 Connector	Fig.1
Fi4-G12-OA41L-Q12	4mm	Flush	AC/DC NO	20...250VAC/DC	DC≤100mA/AC≤200mA	20/650Hz	-30...85°C	M12 Connector	Fig.2
Fi4-G12-CA41L-Q12	4mm	Flush	AC/DC NC	20...250VAC/DC	DC≤100mA/AC≤200mA	20/650Hz	-30...85°C	M12 Connector	Fig.2
Ni6-G12-OD6L-Q12	6mm	Non-flush	DC NO	10...30VDC	≤100mA	600Hz	-30...85°C	M12 Connector	Fig.3
Ni6-G12-CD6L-Q12	6mm	Non-flush	DC NC	10...30VDC	≤100mA	600Hz	-30...85°C	M12 Connector	Fig.3
Ni8-G12-OD6L-Q12	8mm	Non-flush	DC NO	10...30VDC	≤100mA	500Hz	-30...85°C	M12 Connector	Fig.3
Ni8-G12-CD6L-Q12	8mm	Non-flush	DC NC	10...30VDC	≤100mA	500Hz	-30...85°C	M12 Connector	Fig.3
Ni6-G12-OA41L-Q12	6mm	Non-flush	AC/DC NO	20...250VAC/DC	DC≤100mA/AC≤200mA	20/600Hz	-30...85°C	M12 Connector	Fig.4
Ni6-G12-CA41L-Q12	6mm	Non-flush	AC/DC NC	20...250VAC/DC	DC≤100mA/AC≤200mA	20/600Hz	-30...85°C	M12 Connector	Fig.4
Ni8-G12-OA41L-Q12	8mm	Non-flush	AC/DC NO	20...250VAC/DC	DC≤100mA/AC≤200mA	20/500Hz	-30...85°C	M12 Connector	Fig.4
Ni8-G12-CA41L-Q12	8mm	Non-flush	AC/DC NC	20...250VAC/DC	DC≤100mA/AC≤200mA	20/500Hz	-30...85°C	M12 Connector	Fig.4

Dimensions:

Fig.1

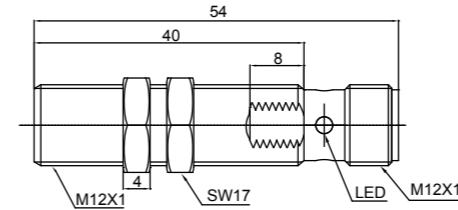


Fig.2

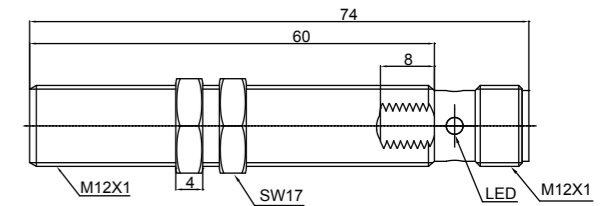


Fig.3

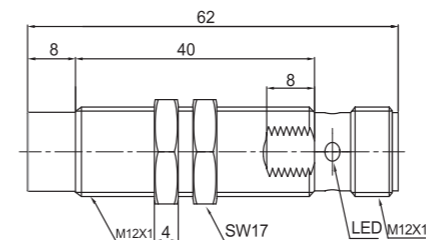
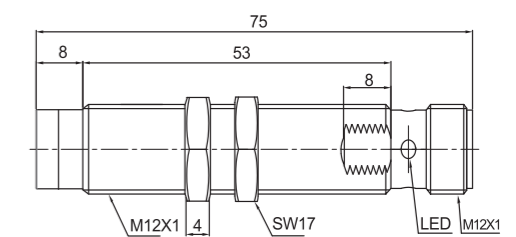


Fig.4



Metal Barrel-G series



Description:

Brass nickel-plated, threaded barrel, extended operating distance, DC 3-wire output, IP68 protection class, LED indicator.

See the wiring diagram on page 231-233 for your reference.

Metal Barrel-G series



Description:

Brass nickel-plated, threaded barrel, extended operating distance, DC 3-wire output, IP68 protection class, LED indicator.

See the wiring diagram on page 231-233 for your reference.

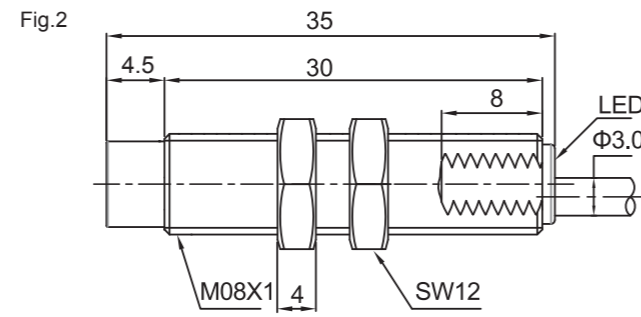
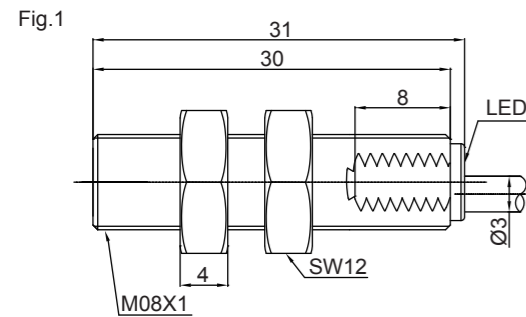
Technical Data:

Type	Rated Operating Distance Sn	Mounting	Output	Voltage Range U _B	Rated Current	Switching Frequency	Ambient Temperature	Connection	Fig
Fi2-G08-OP6L	2mm	Flush	PNP NO	10...30VDC	≤200mA	1400Hz	-30...85°C	2m cable	Fig.1
Fi2-G08-CP6L	2mm	Flush	PNP NC	10...30VDC	≤200mA	1400Hz	-30...85°C	2m cable	Fig.1
Fi2-G08-ON6L	2mm	Flush	NPN NO	10...30VDC	≤200mA	1400Hz	-30...85°C	2m cable	Fig.1
Fi2-G08-CN6L	2mm	Flush	NPN NC	10...30VDC	≤200mA	1400Hz	-30...85°C	2m cable	Fig.1
Ni4-G08-OP6L	4mm	Non-flush	PNP NO	10...30VDC	≤200mA	750Hz	-30...85°C	2m cable	Fig.2
Ni4-G08-CP6L	4mm	Non-flush	PNP NC	10...30VDC	≤200mA	750Hz	-30...85°C	2m cable	Fig.2
Ni4-G08-ON6L	4mm	Non-flush	NPN NO	10...30VDC	≤200mA	750Hz	-30...85°C	2m cable	Fig.2
Ni4-G08-CN6L	4mm	Non-flush	NPN NC	10...30VDC	≤200mA	750Hz	-30...85°C	2m cable	Fig.2

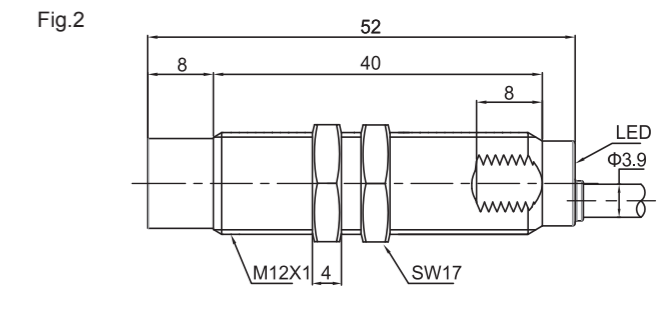
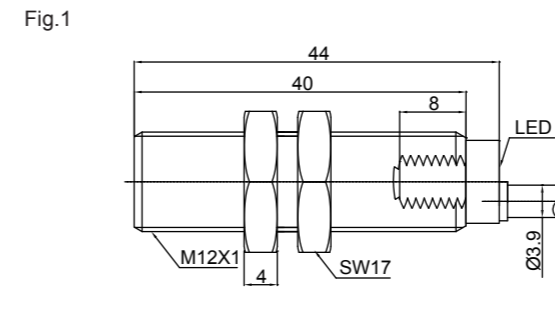
Technical Data:

Type	Rated Operating Distance Sn	Mounting	Output	Voltage Range U _B	Rated Current	Switching Frequency	Ambient Temperature	Connection	Fig
Fi4-G12-OP6L	4mm	Flush	PNP NO	10...30VDC	≤200mA	650Hz	-30...85°C	2m cable	Fig.1
Fi4-G12-CP6L	4mm	Flush	PNP NC	10...30VDC	≤200mA	650Hz	-30...85°C	2m cable	Fig.1
Fi4-G12-ON6L	4mm	Flush	NPN NO	10...30VDC	≤200mA	650Hz	-30...85°C	2m cable	Fig.1
Fi4-G12-CN6L	4mm	Flush	NPN NC	10...30VDC	≤200mA	650Hz	-30...85°C	2m cable	Fig.1
Ni6-G12-OP6L	6mm	Non-flush	PNP NO	10...30VDC	≤200mA	600Hz	-30...85°C	2m cable	Fig.2
Ni6-G12-CP6L	6mm	Non-flush	PNP NC	10...30VDC	≤200mA	600Hz	-30...85°C	2m cable	Fig.2
Ni6-G12-ON6L	6mm	Non-flush	NPN NO	10...30VDC	≤200mA	600Hz	-30...85°C	2m cable	Fig.2
Ni6-G12-CN6L	6mm	Non-flush	NPN NC	10...30VDC	≤200mA	600Hz	-30...85°C	2m cable	Fig.2
Ni8-G12-OP6L	8mm	Non-flush	PNP NO	10...30VDC	≤200mA	500Hz	-30...85°C	2m cable	Fig.2
Ni8-G12-CP6L	8mm	Non-flush	PNP NC	10...30VDC	≤200mA	500Hz	-30...85°C	2m cable	Fig.2
Ni8-G12-ON6L	8mm	Non-flush	NPN NO	10...30VDC	≤200mA	500Hz	-30...85°C	2m cable	Fig.2
Ni8-G12-CN6L	8mm	Non-flush	NPN NC	10...30VDC	≤200mA	500Hz	-30...85°C	2m cable	Fig.2

Dimensions:



Dimensions:



<< Inductive Sensor

Metal Barrel-G series



Description:

Brass nickel-plated, threaded barrel, extended operating distance, DC 3-wire output, IP68 protection class, LED indicator.

See the wiring diagram on page 231-233 for your reference.

Technical Data:

Type	Rated Operating Distance Sn	Mounting	Output	Voltage Range U _B	Rated Current	Switching Frequency	Ambient Temperature	Connection	Fig
Fi8-G18-OP6L	8mm	Flush	PNP NO	10...30VDC	≤200mA	500Hz	-30...85°C	2m cable	Fig.1
Fi8-G18-CP6L	8mm	Flush	PNP NC	10...30VDC	≤200mA	500Hz	-30...85°C	2m cable	Fig.1
Fi8-G18-ON6L	8mm	Flush	NPN NO	10...30VDC	≤200mA	500Hz	-30...85°C	2m cable	Fig.1
Fi8-G18-CN6L	8mm	Flush	NPN NC	10...30VDC	≤200mA	500Hz	-30...85°C	2m cable	Fig.1
Ni12-G18-OP6L	12mm	Non-flush	PNP NO	10...30VDC	≤200mA	350Hz	-30...85°C	2m cable	Fig.2
Ni12-G18-CP6L	12mm	Non-flush	PNP NC	10...30VDC	≤200mA	350Hz	-30...85°C	2m cable	Fig.2
Ni12-G18-ON6L	12mm	Non-flush	NPN NO	10...30VDC	≤200mA	350Hz	-30...85°C	2m cable	Fig.2
Ni12-G18-CN6L	12mm	Non-flush	NPN NC	10...30VDC	≤200mA	350Hz	-30...85°C	2m cable	Fig.2
Ni16-G18-OP6L	16mm	Non-flush	PNP NO	10...30VDC	≤200mA	250Hz	-30...85°C	2m cable	Fig.2
Ni16-G18-CP6L	16mm	Non-flush	PNP NC	10...30VDC	≤200mA	250Hz	-30...85°C	2m cable	Fig.2
Ni16-G18-ON6L	16mm	Non-flush	NPN NO	10...30VDC	≤200mA	250Hz	-30...85°C	2m cable	Fig.2
Ni16-G18-CN6L	16mm	Non-flush	NPN NC	10...30VDC	≤200mA	250Hz	-30...85°C	2m cable	Fig.2

Dimensions:

Fig.1

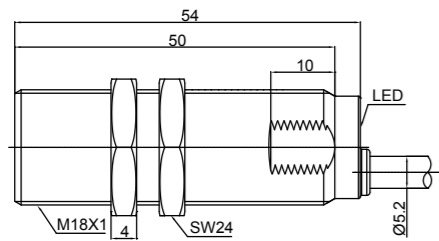
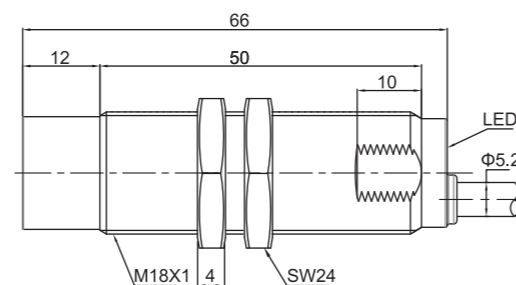


Fig.2



Metal Barrel-G series



Description:

Brass nickel-plated, threaded barrel, extended operating distance, DC 3-wire output, IP68 protection class, LED indicator.

See the wiring diagram on page 231-233 for your reference.

Technical Data:

Type	Rated Operating Distance Sn	Mounting	Output	Voltage Range U _B	Rated Current	Switching Frequency	Ambient Temperature	Connection	Fig
Fi15-G30-OP6L	15mm	Flush	PNP NO	10...30VDC	≤200mA	350Hz	-30...85°C	2m cable	Fig.1
Fi15-G30-CP6L	15mm	Flush	PNP NC	10...30VDC	≤200mA	350Hz	-30...85°C	2m cable	Fig.1
Fi15-G30-ON6L	15mm	Flush	NPN NO	10...30VDC	≤200mA	350Hz	-30...85°C	2m cable	Fig.1
Fi15-G30-CN6L	15mm	Flush	NPN NC	10...30VDC	≤200mA	350Hz	-30...85°C	2m cable	Fig.1
Ni22-G30-OP6L	22mm	Non-flush	PNP NO	10...30VDC	≤200mA	200Hz	-30...85°C	2m cable	Fig.2
Ni22-G30-CP6L	22mm	Non-flush	PNP NC	10...30VDC	≤200mA	200Hz	-30...85°C	2m cable	Fig.2
Ni22-G30-ON6L	22mm	Non-flush	NPN NO	10...30VDC	≤200mA	200Hz	-30...85°C	2m cable	Fig.2
Ni22-G30-CN6L	22mm	Non-flush	NPN NC	10...30VDC	≤200mA	200Hz	-30...85°C	2m cable	Fig.2
Ni30-G30-OP6L	30mm	Non-flush	PNP NO	10...30VDC	≤200mA	75Hz	-30...85°C	2m cable	Fig.2
Ni30-G30-CP6L	30mm	Non-flush	PNP NC	10...30VDC	≤200mA	75Hz	-30...85°C	2m cable	Fig.2
Ni30-G30-ON6L	30mm	Non-flush	NPN NO	10...30VDC	≤200mA	75Hz	-30...85°C	2m cable	Fig.2
Ni30-G30-CN6L	30mm	Non-flush	NPN NC	10...30VDC	≤200mA	75Hz	-30...85°C	2m cable	Fig.2

Dimensions:

Fig.1

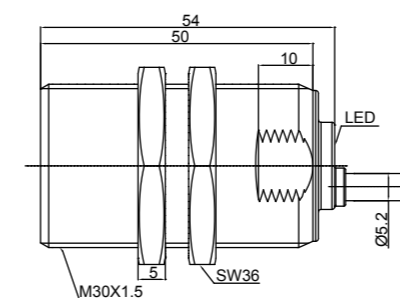
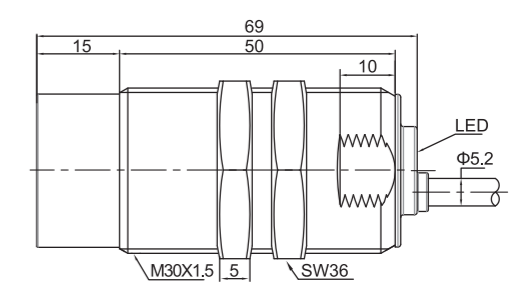


Fig.2



<< Inductive Sensor

Metal Barrel-G series



Description:

Brass nickel-plated, threaded barrel, extended operating distance, DC 3-wire output, IP68 protection class, LED indicator.

See the wiring diagram on page 231-233 for your reference.

Technical Data:

Type	Rated Operating Distance Sn	Mounting	Output	Voltage Range U _B	Rated Current	Switching Frequency	Ambient Temperature	Connection	Fig
Fi2-G08-OP6L-Q8	2mm	Flush	PNP NO	10...30VDC	≤200mA	1400Hz	-30...85°C	M8 Connector	Fig.1
Fi2-G08-CP6L-Q8	2mm	Flush	PNP NC	10...30VDC	≤200mA	1400Hz	-30...85°C	M8 Connector	Fig.1
Fi2-G08-ON6L-Q8	2mm	Flush	NPN NO	10...30VDC	≤200mA	1400Hz	-30...85°C	M8 Connector	Fig.1
Fi2-G08-CN6L-Q8	2mm	Flush	NPN NC	10...30VDC	≤200mA	1400Hz	-30...85°C	M8 Connector	Fig.1
Ni4-G08-OP6L-Q8	4mm	Non-flush	PNP NO	10...30VDC	≤200mA	750Hz	-30...85°C	M8 Connector	Fig.2
Ni4-G08-CP6L-Q8	4mm	Non-flush	PNP NC	10...30VDC	≤200mA	750Hz	-30...85°C	M8 Connector	Fig.2
Ni4-G08-ON6L-Q8	4mm	Non-flush	NPN NO	10...30VDC	≤200mA	750Hz	-30...85°C	M8 Connector	Fig.2
Ni4-G08-CN6L-Q8	4mm	Non-flush	NPN NC	10...30VDC	≤200mA	750Hz	-30...85°C	M8 Connector	Fig.2

Dimensions:

Fig.1

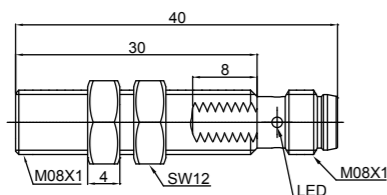
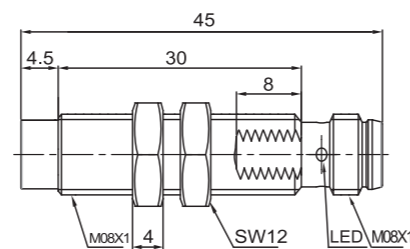


Fig.2



Metal Barrel-G series



Description:

Brass nickel-plated, threaded barrel, extended operating distance, DC 3-wire output, IP68 protection class, LED indicator.

See the wiring diagram on page 231-233 for your reference.

Technical Data:

Type	Rated Operating Distance Sn	Mounting	Output	Voltage Range U _B	Rated Current	Switching Frequency	Ambient Temperature	Connection	Fig
Fi4-G12-OP6L-Q12	4mm	Flush	PNP NO	10...30VDC	≤200mA	650Hz	-30...85°C	M12 Connector	Fig.1
Fi4-G12-CP6L-Q12	4mm	Flush	PNP NC	10...30VDC	≤200mA	650Hz	-30...85°C	M12 Connector	Fig.1
Fi4-G12-ON6L-Q12	4mm	Flush	NPN NO	10...30VDC	≤200mA	650Hz	-30...85°C	M12 Connector	Fig.1
Fi4-G12-CN6L-Q12	4mm	Flush	NPN NC	10...30VDC	≤200mA	650Hz	-30...85°C	M12 Connector	Fig.1
Ni6-G12-OP6L-Q12	6mm	Non-flush	PNP NO	10...30VDC	≤200mA	600Hz	-30...85°C	M12 Connector	Fig.2
Ni6-G12-CP6L-Q12	6mm	Non-flush	PNP NC	10...30VDC	≤200mA	600Hz	-30...85°C	M12 Connector	Fig.2
Ni6-G12-ON6L-Q12	6mm	Non-flush	NPN NO	10...30VDC	≤200mA	600Hz	-30...85°C	M12 Connector	Fig.2
Ni6-G12-CN6L-Q12	6mm	Non-flush	NPN NC	10...30VDC	≤200mA	600Hz	-30...85°C	M12 Connector	Fig.2
Ni8-G12-OP6L-Q12	8mm	Non-flush	PNP NO	10...30VDC	≤200mA	500Hz	-30...85°C	M12 Connector	Fig.2
Ni8-G12-CP6L-Q12	8mm	Non-flush	PNP NC	10...30VDC	≤200mA	500Hz	-30...85°C	M12 Connector	Fig.2
Ni8-G12-ON6L-Q12	8mm	Non-flush	NPN NO	10...30VDC	≤200mA	500Hz	-30...85°C	M12 Connector	Fig.2
Ni8-G12-CN6L-Q12	8mm	Non-flush	NPN NC	10...30VDC	≤200mA	500Hz	-30...85°C	M12 Connector	Fig.2

Dimensions:

Fig.1

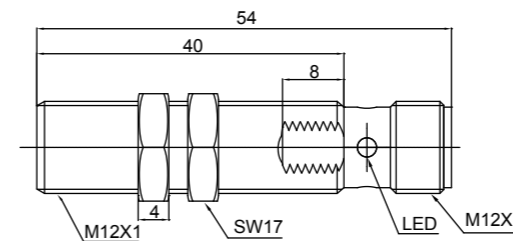
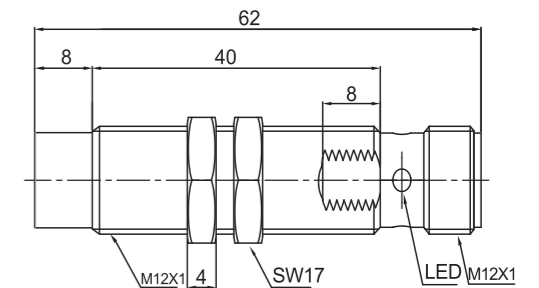


Fig.2





Description:

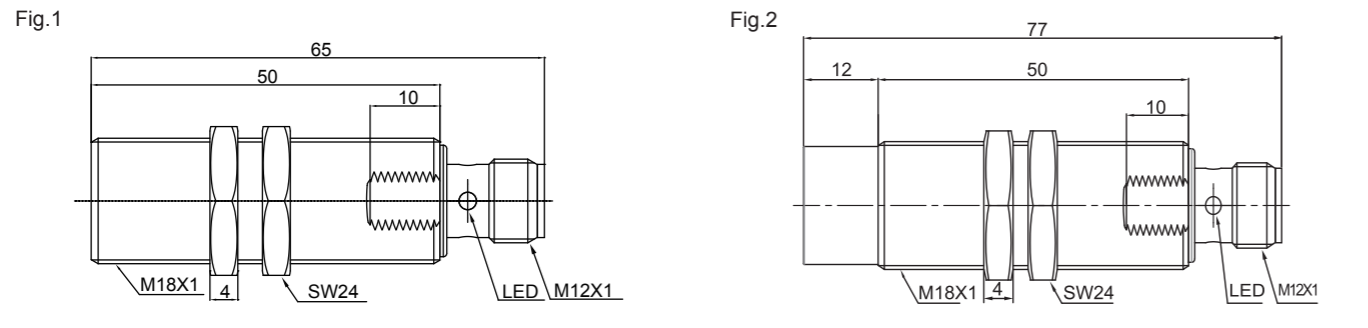
Brass nickel-plated, threaded barrel, extended operating distance, DC 3-wire output, IP68 protection class, LED indicator.

See the wiring diagram on page 231-233 for your reference.

Technical Data:

Type	Rated Operating Distance Sn	Mounting	Output	Voltage Range U _B	Rated Current	Switching Frequency	Ambient Temperature	Connection	Fig
Fi8-G18-OP6L-Q12	8mm	Flush	PNP NO	10...30VDC	≤200mA	500Hz	-30...85°C	M12 Connector	Fig.1
Fi8-G18-CP6L-Q12	8mm	Flush	PNP NC	10...30VDC	≤200mA	500Hz	-30...85°C	M12 Connector	Fig.1
Fi8-G18-ON6L-Q12	8mm	Flush	NPN NO	10...30VDC	≤200mA	500Hz	-30...85°C	M12 Connector	Fig.1
Fi8-G18-CN6L-Q12	8mm	Flush	NPN NC	10...30VDC	≤200mA	500Hz	-30...85°C	M12 Connector	Fig.1
Ni12-G18-OP6L-Q12	12mm	Non-flush	PNP NO	10...30VDC	≤200mA	350Hz	-30...85°C	M12 Connector	Fig.2
Ni12-G18-CP6L-Q12	12mm	Non-flush	PNP NC	10...30VDC	≤200mA	350Hz	-30...85°C	M12 Connector	Fig.2
Ni12-G18-ON6L-Q12	12mm	Non-flush	NPN NO	10...30VDC	≤200mA	350Hz	-30...85°C	M12 Connector	Fig.2
Ni12-G18-CN6L-Q12	12mm	Non-flush	NPN NC	10...30VDC	≤200mA	350Hz	-30...85°C	M12 Connector	Fig.2
Ni16-G18-OP6L-Q12	16mm	Non-flush	PNP NO	10...30VDC	≤200mA	250Hz	-30...85°C	M12 Connector	Fig.2
Ni16-G18-CP6L-Q12	16mm	Non-flush	PNP NC	10...30VDC	≤200mA	250Hz	-30...85°C	M12 Connector	Fig.2
Ni16-G18-ON6L-Q12	16mm	Non-flush	NPN NO	10...30VDC	≤200mA	250Hz	-30...85°C	M12 Connector	Fig.2
Ni16-G18-CN6L-Q12	16mm	Non-flush	NPN NC	10...30VDC	≤200mA	250Hz	-30...85°C	M12 Connector	Fig.2

Dimensions:



Description:

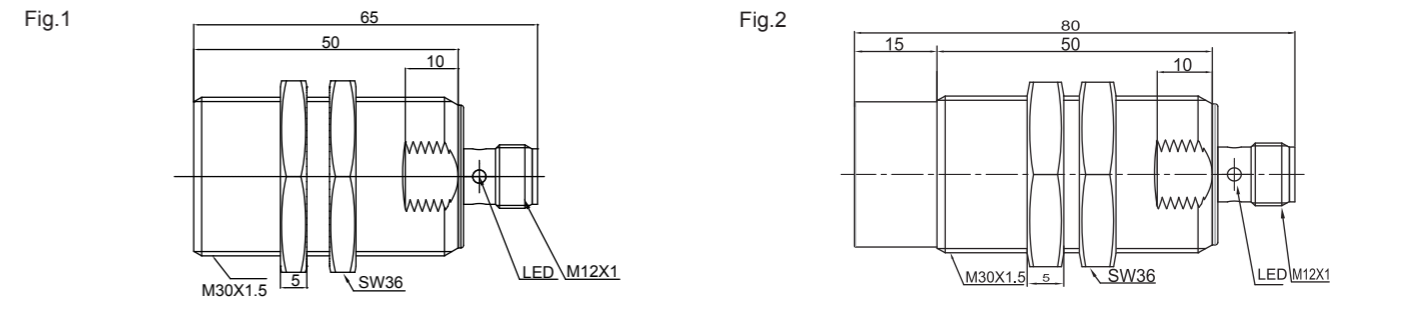
Brass nickel-plated, threaded barrel, extended operating distance, DC 3-wire output, IP68 protection class, LED indicator.

See the wiring diagram on page 231-233 for your reference.

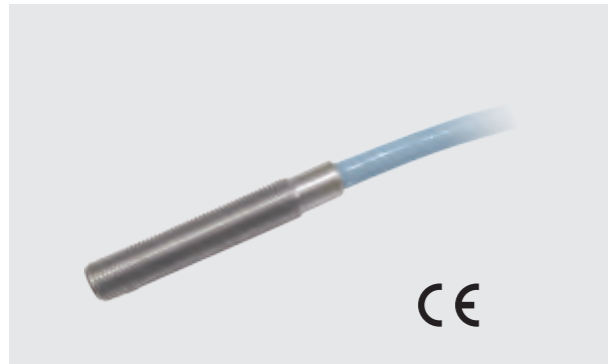
Technical Data:

Type	Rated Operating Distance Sn	Mounting	Output	Voltage Range U _B	Rated Current	Switching Frequency	Ambient Temperature	Connection	Fig
Fi15-G30-OP6L-Q12	15mm	Flush	PNP NO	10...30VDC	≤200mA	350Hz	-30...85°C	M12 Connector	Fig.1
Fi15-G30-CP6L-Q12	15mm	Flush	PNP NC	10...30VDC	≤200mA	350Hz	-30...85°C	M12 Connector	Fig.1
Fi15-G30-ON6L-Q12	15mm	Flush	NPN NO	10...30VDC	≤200mA	350Hz	-30...85°C	M12 Connector	Fig.1
Fi15-G30-CN6L-Q12	15mm	Flush	NPN NC	10...30VDC	≤200mA	350Hz	-30...85°C	M12 Connector	Fig.1
Ni22-G30-OP6L-Q12	22mm	Non-flush	PNP NO	10...30VDC	≤200mA	200Hz	-30...85°C	M12 Connector	Fig.2
Ni22-G30-CP6L-Q12	22mm	Non-flush	PNP NC	10...30VDC	≤200mA	200Hz	-30...85°C	M12 Connector	Fig.2
Ni22-G30-ON6L-Q12	22mm	Non-flush	NPN NO	10...30VDC	≤200mA	200Hz	-30...85°C	M12 Connector	Fig.2
Ni22-G30-CN6L-Q12	22mm	Non-flush	NPN NC	10...30VDC	≤200mA	200Hz	-30...85°C	M12 Connector	Fig.2
Ni30-G30-OP6L-Q12	30mm	Non-flush	PNP NO	10...30VDC	≤200mA	75Hz	-30...85°C	M12 Connector	Fig.2
Ni30-G30-CP6L-Q12	30mm	Non-flush	PNP NC	10...30VDC	≤200mA	75Hz	-30...85°C	M12 Connector	Fig.2
Ni30-G30-ON6L-Q12	30mm	Non-flush	NPN NO	10...30VDC	≤200mA	75Hz	-30...85°C	M12 Connector	Fig.2
Ni30-G30-CN6L-Q12	30mm	Non-flush	NPN NC	10...30VDC	≤200mA	75Hz	-30...85°C	M12 Connector	Fig.2

Dimensions:



Metal Barrel-G3 series



Description:

Stainless steel housing, threaded barrel, extended operating distance, DC 3-wire output, IP68 protection class, LED indicator.

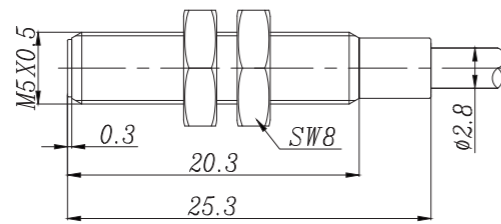
See the wiring diagram on page 231-233 for your reference.

Technical Data:

Type	Rated Operating Distance S_n	Mounting	Output	Voltage Range U_B	Rated Current	Switching Frequency	Ambient Temperature	Connection	Fig
Fi1.5-G05-OP6L	1.5mm	Flush	PNP NO	10...30VDC	≤100mA	1000Hz	-25...70°C	2m cable	Fig.1
Fi1.5-G05-CP6L	1.5mm	Flush	PNP NC	10...30VDC	≤100mA	1000Hz	-25...70°C	2m cable	Fig.1
Fi1.5-G05-ON6L	1.5mm	Flush	NPN NO	10...30VDC	≤100mA	1000Hz	-25...70°C	2m cable	Fig.1
Fi1.5-G05-CN6L	1.5mm	Flush	NPN NC	10...30VDC	≤100mA	1000Hz	-25...70°C	2m cable	Fig.1

Dimensions:

Fig.1



Metal Barrel-G3 series



Description:

Brass nickel-plated, threaded barrel, extended operating distance, DC 3-wire output, IP68 protection class, LED indicator.

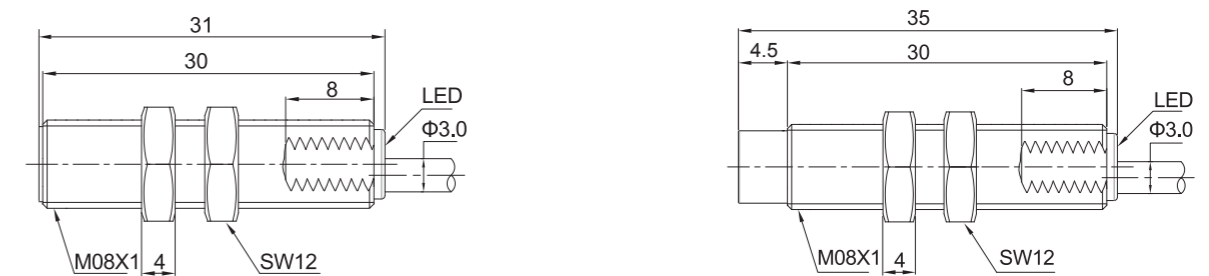
See the wiring diagram on page 231-233 for your reference.

Technical Data:

Type	Rated Operating Distance S_n	Mounting	Output	Voltage Range U_B	Rated Current	Switching Frequency	Ambient Temperature	Connection	Fig
Fi3-G08-OP6L	3mm	Flush	PNP NO	10...30VDC	≤200mA	500Hz	-25...70°C	2m cable	Fig.1
Fi3-G08-CP6L	3mm	Flush	PNP NC	10...30VDC	≤200mA	500Hz	-25...70°C	2m cable	Fig.1
Fi3-G08-ON6L	3mm	Flush	NPN NO	10...30VDC	≤200mA	500Hz	-25...70°C	2m cable	Fig.1
Fi3-G08-CN6L	3mm	Flush	NPN NC	10...30VDC	≤200mA	500Hz	-25...70°C	2m cable	Fig.1
Ni6-G08-OP6L	6mm	Non-flush	PNP NO	10...30VDC	≤200mA	500Hz	-25...70°C	2m cable	Fig.2
Ni6-G08-CP6L	6mm	Non-flush	PNP NC	10...30VDC	≤200mA	500Hz	-25...70°C	2m cable	Fig.2
Ni6-G08-ON6L	6mm	Non-flush	NPN NO	10...30VDC	≤200mA	500Hz	-25...70°C	2m cable	Fig.2
Ni6-G08-CN6L	6mm	Non-flush	NPN NC	10...30VDC	≤200mA	500Hz	-25...70°C	2m cable	Fig.2

Dimensions:

Fig.1



<< Inductive Sensor

Metal Barrel-G3 series

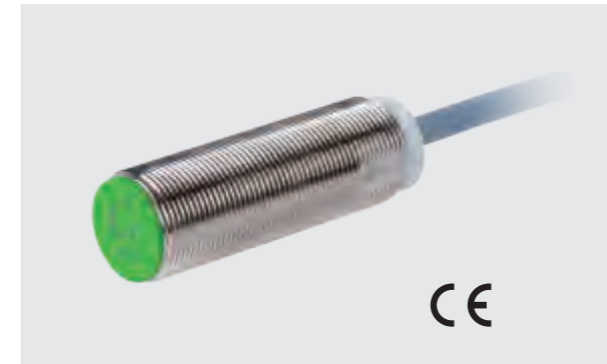


Description:

Brass nickel-plated, threaded barrel, extended operating distance, DC 3-wire output, IP68 protection class, LED indicator.

See the wiring diagram on page 231-233 for your reference.

Metal Barrel-G3 series



Description:

Brass nickel-plated, threaded barrel, extended operating distance, DC 3-wire output, IP68 protection class, LED indicator.

See the wiring diagram on page 231-233 for your reference.

Technical Data:

Type	Rated Operating Distance Sn	Mounting	Output	Voltage Range U _B	Rated Current	Switching Frequency	Ambient Temperature	Connection	Fig
Fi6-G12-OP6L	6mm	Flush	PNP NO	10...30VDC	≤200mA	200Hz	-25...70°C	2m cable	Fig.1
Fi6-G12-CP6L	6mm	Flush	PNP NC	10...30VDC	≤200mA	200Hz	-25...70°C	2m cable	Fig.1
Fi6-G12-ON6L	6mm	Flush	NPN NO	10...30VDC	≤200mA	200Hz	-25...70°C	2m cable	Fig.1
Fi6-G12-CN6L	6mm	Flush	NPN NC	10...30VDC	≤200mA	200Hz	-25...70°C	2m cable	Fig.1
Ni10-G12-OP6L	10mm	Non-flush	PNP NO	10...30VDC	≤200mA	200Hz	-25...70°C	2m cable	Fig.2
Ni10-G12-CP6L	10mm	Non-flush	PNP NC	10...30VDC	≤200mA	200Hz	-25...70°C	2m cable	Fig.2
Ni10-G12-ON6L	10mm	Non-flush	NPN NO	10...30VDC	≤200mA	200Hz	-25...70°C	2m cable	Fig.2
Ni10-G12-CN6L	10mm	Non-flush	NPN NC	10...30VDC	≤200mA	200Hz	-25...70°C	2m cable	Fig.2

Technical Data:

Type	Rated Operating Distance Sn	Mounting	Output	Voltage Range U _B	Rated Current	Switching Frequency	Ambient Temperature	Connection	Fig
Fi12-G18-OP6L	12mm	Flush	PNP NO	10...30VDC	≤200mA	200Hz	-25...70°C	2m cable	Fig.1
Fi12-G18-CP6L	12mm	Flush	PNP NC	10...30VDC	≤200mA	200Hz	-25...70°C	2m cable	Fig.1
Fi12-G18-ON6L	12mm	Flush	NPN NO	10...30VDC	≤200mA	200Hz	-25...70°C	2m cable	Fig.1
Fi12-G18-CN6L	12mm	Flush	NPN NC	10...30VDC	≤200mA	200Hz	-25...70°C	2m cable	Fig.1
Ni20-G18-OP6L	20mm	Non-flush	PNP NO	10...30VDC	≤200mA	200Hz	-25...70°C	2m cable	Fig.2
Ni20-G18-CP6L	20mm	Non-flush	PNP NC	10...30VDC	≤200mA	200Hz	-25...70°C	2m cable	Fig.2
Ni20-G18-ON6L	20mm	Non-flush	NPN NO	10...30VDC	≤200mA	200Hz	-25...70°C	2m cable	Fig.2
Ni20-G18-CN6L	20mm	Non-flush	NPN NC	10...30VDC	≤200mA	200Hz	-25...70°C	2m cable	Fig.2

Dimensions:

Fig.1

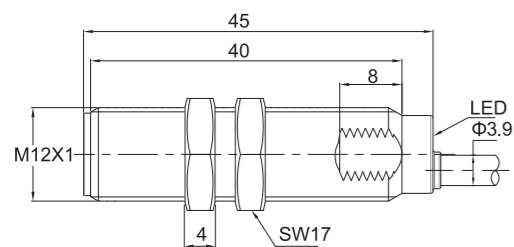


Fig.2

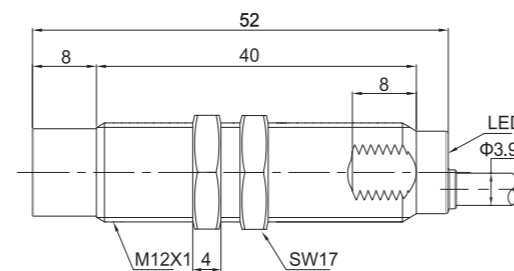


Fig.1

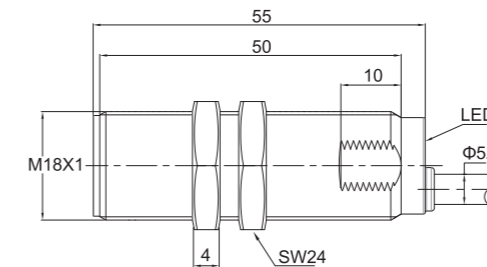
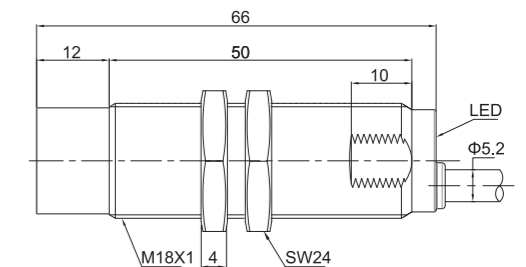


Fig.2



<< Inductive Sensor

Metal Barrel-G3 series



Description:

Brass nickel-plated, threaded barrel, extended operating distance, DC 3-wire output, IP68 protection class, LED indicator.

See the wiring diagram on page 231-233 for your reference.

Technical Data:

Type	Rated Operating Distance Sn	Mounting	Output	Voltage Range U _B	Rated Current	Switching Frequency	Ambient Temperature	Connection	Fig
Fi20-G30-OP6L	20mm	Flush	PNP NO	10...30VDC	≤200mA	200Hz	-25...70°C	2m cable	Fig.1
Fi20-G30-CP6L	20mm	Flush	PNP NC	10...30VDC	≤200mA	200Hz	-25...70°C	2m cable	Fig.1
Fi20-G30-ON6L	20mm	Flush	NPN NO	10...30VDC	≤200mA	200Hz	-25...70°C	2m cable	Fig.1
Fi20-G30-CN6L	20mm	Flush	NPN NC	10...30VDC	≤200mA	200Hz	-25...70°C	2m cable	Fig.1
Ni38-G30-OP6L	38mm	Non-flush	PNP NO	10...30VDC	≤200mA	200Hz	-25...70°C	2m cable	Fig.2
Ni38-G30-CP6L	38mm	Non-flush	PNP NC	10...30VDC	≤200mA	200Hz	-25...70°C	2m cable	Fig.2
Ni38-G30-ON6L	38mm	Non-flush	NPN NO	10...30VDC	≤200mA	200Hz	-25...70°C	2m cable	Fig.2
Ni38-G30-CN6L	38mm	Non-flush	NPN NC	10...30VDC	≤200mA	200Hz	-25...70°C	2m cable	Fig.2

Dimensions:

Fig.1

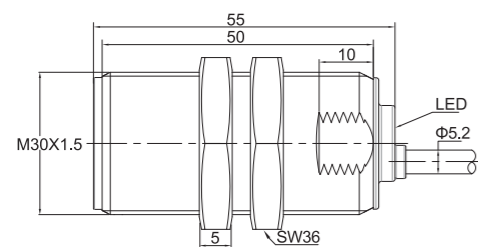
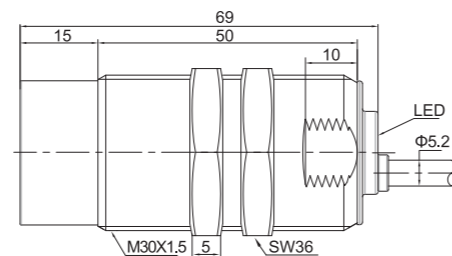


Fig.2



Metal Barrel-G3 series



Description:

Stainless steel housing, threaded barrel, extended operating distance, DC 3-wire output, IP68 protection class, LED indicator, M8 connector.

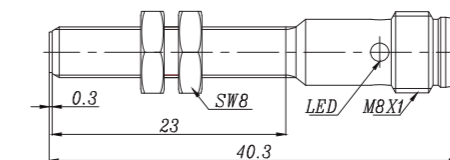
See the wiring diagram on page 231-233 for your reference.

Technical Data:

Type	Rated Operating Distance Sn	Mounting	Output	Voltage Range U _B	Rated Current	Switching Frequency	Ambient Temperature	Connection	Fig
Fi1.5-G05-OP6L-Q8	1.5mm	Flush	PNP NO	10...30VDC	≤100mA	1000Hz	-25...70°C	M8 Connector	Fig.1
Fi1.5-G05-CP6L-Q8	1.5mm	Flush	PNP NC	10...30VDC	≤100mA	1000Hz	-25...70°C	M8 Connector	Fig.1
Fi1.5-G05-ON6L-Q8	1.5mm	Flush	NPN NO	10...30VDC	≤100mA	1000Hz	-25...70°C	M8 Connector	Fig.1
Fi1.5-G05-CN6L-Q8	1.5mm	Flush	NPN NC	10...30VDC	≤100mA	1000Hz	-25...70°C	M8 Connector	Fig.1

Dimensions:

Fig.1



<< Inductive Sensor

Metal Barrel-G3 series



Description:

Brass nickel-plated, threaded barrel, extended operating distance, DC 3-wire output, IP68 protection class, LED indicator, M8 connector.

See the wiring diagram on page 231-233 for your reference.

Technical Data:

Type	Rated Operating Distance Sn	Mounting	Output	Voltage Range U _B	Rated Current	Switching Frequency	Ambient Temperature	Connection	Fig
Fi3-G08-OP6L-Q8	3mm	Flush	PNP NO	10...30VDC	≤200mA	500Hz	-25...70°C	M8 Connector	Fig.1
Fi3-G08-CP6L-Q8	3mm	Flush	PNP NC	10...30VDC	≤200mA	500Hz	-25...70°C	M8 Connector	Fig.1
Fi3-G08-ON6L-Q8	3mm	Flush	NPN NO	10...30VDC	≤200mA	500Hz	-25...70°C	M8 Connector	Fig.1
Fi3-G08-CN6L-Q8	3mm	Flush	NPN NC	10...30VDC	≤200mA	500Hz	-25...70°C	M8 Connector	Fig.1
Ni6-G08-OP6L-Q8	6mm	Non-flush	PNP NO	10...30VDC	≤200mA	500Hz	-25...70°C	M8 Connector	Fig.2
Ni6-G08-CP6L-Q8	6mm	Non-flush	PNP NC	10...30VDC	≤200mA	500Hz	-25...70°C	M8 Connector	Fig.2
Ni6-G08-ON6L-Q8	6mm	Non-flush	NPN NO	10...30VDC	≤200mA	500Hz	-25...70°C	M8 Connector	Fig.2
Ni6-G08-CN6L-Q8	6mm	Non-flush	NPN NC	10...30VDC	≤200mA	500Hz	-25...70°C	M8 Connector	Fig.2

Dimensions:

Fig.1

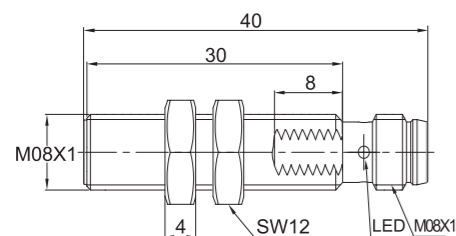
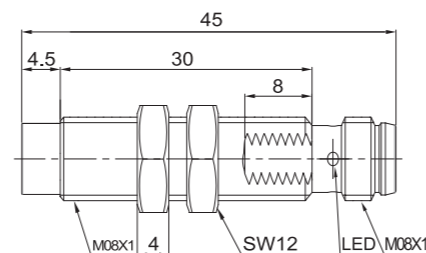


Fig.2



Metal Barrel-G3 series



Description:

Brass nickel-plated, threaded barrel, extended operating distance, DC 3-wire output, IP68 protection class, LED indicator, M12 connector.

See the wiring diagram on page 231-233 for your reference.

Technical Data:

Type	Rated Operating Distance Sn	Mounting	Output	Voltage Range U _B	Rated Current	Switching Frequency	Ambient Temperature	Connection	Fig
Fi6-G12-OP6L-Q12	6mm	Flush	PNP NO	10...30VDC	≤200mA	500Hz	-25...70°C	M12 Connector	Fig.1
Fi6-G12-CP6L-Q12	6mm	Flush	PNP NC	10...30VDC	≤200mA	500Hz	-25...70°C	M12 Connector	Fig.1
Fi6-G12-ON6L-Q12	6mm	Flush	NPN NO	10...30VDC	≤200mA	500Hz	-25...70°C	M12 Connector	Fig.1
Fi6-G12-CN6L-Q12	6mm	Flush	NPN NC	10...30VDC	≤200mA	500Hz	-25...70°C	M12 Connector	Fig.1
Ni10-G12-OP6L-Q12	10mm	Non-flush	PNP NO	10...30VDC	≤200mA	500Hz	-25...70°C	M12 Connector	Fig.2
Ni10-G12-CP6L-Q12	10mm	Non-flush	PNP NC	10...30VDC	≤200mA	500Hz	-25...70°C	M12 Connector	Fig.2
Ni10-G12-ON6L-Q12	10mm	Non-flush	NPN NO	10...30VDC	≤200mA	500Hz	-25...70°C	M12 Connector	Fig.2
Ni10-G12-CN6L-Q12	10mm	Non-flush	NPN NC	10...30VDC	≤200mA	500Hz	-25...70°C	M12 Connector	Fig.2

Dimensions:

Fig.1

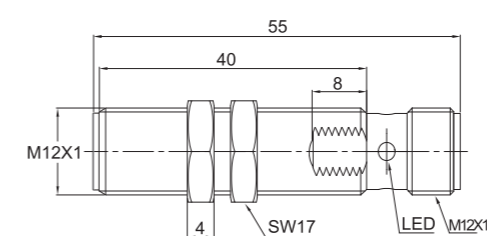
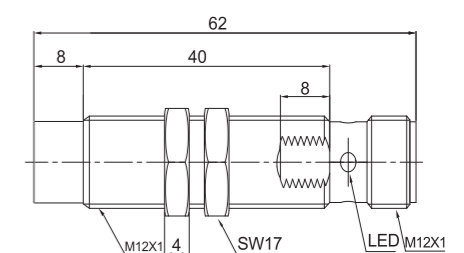
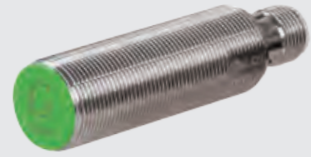


Fig.2



<< Inductive Sensor

Metal Barrel-G3 series



Description:

Brass nickel-plated, threaded barrel, extended operating distance, DC 3-wire output, IP68 protection class, LED indicator, M12 connector.

See the wiring diagram on page 231-233 for your reference.

Technical Data:

Type	Rated Operating Distance Sn	Mounting	Output	Voltage Range U _s	Rated Current	Switching Frequency	Ambient Temperature	Connection	Fig
Fi12-G18-OP6L-Q12	12mm	Flush	PNP NO	10...30VDC	≤200mA	200Hz	-25...70°C	M12 Connector	Fig.1
Fi12-G18-CP6L-Q12	12mm	Flush	PNP NC	10...30VDC	≤200mA	200Hz	-25...70°C	M12 Connector	Fig.1
Fi12-G18-ON6L-Q12	12mm	Flush	NPN NO	10...30VDC	≤200mA	200Hz	-25...70°C	M12 Connector	Fig.1
Fi12-G18-CN6L-Q12	12mm	Flush	NPN NC	10...30VDC	≤200mA	200Hz	-25...70°C	M12 Connector	Fig.1
Ni20-G18-OP6L-Q12	20mm	Non-flush	PNP NO	10...30VDC	≤200mA	200Hz	-25...70°C	M12 Connector	Fig.2
Ni20-G18-CP6L-Q12	20mm	Non-flush	PNP NC	10...30VDC	≤200mA	200Hz	-25...70°C	M12 Connector	Fig.2
Ni20-G18-ON6L-Q12	20mm	Non-flush	NPN NO	10...30VDC	≤200mA	200Hz	-25...70°C	M12 Connector	Fig.2
Ni20-G18-CN6L-Q12	20mm	Non-flush	NPN NC	10...30VDC	≤200mA	200Hz	-25...70°C	M12 Connector	Fig.2

Dimensions:

Fig.1

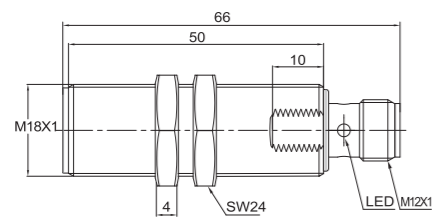
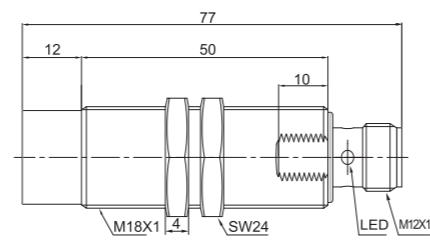


Fig.2



Metal Barrel-G3 series



Description:

Brass nickel-plated, threaded barrel, extended operating distance, DC 3-wire output, IP68 protection class, LED indicator, M12 connector.

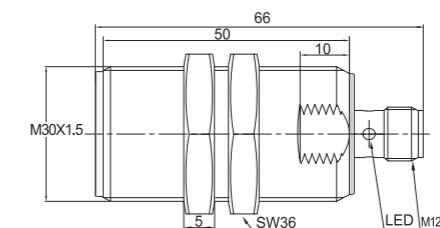
See the wiring diagram on page 231-233 for your reference.

Technical Data:

Type	Rated Operating Distance Sn	Mounting	Output	Voltage Range U _s	Rated Current	Switching Frequency	Ambient Temperature	Connection	Fig
Fi20-G30-OP6L-Q12	20mm	Flush	PNP NO	10...30VDC	≤200mA	200Hz	-25...70°C	M12 Connector	Fig.1
Fi20-G30-CP6L-Q12	20mm	Flush	PNP NC	10...30VDC	≤200mA	200Hz	-25...70°C	M12 Connector	Fig.1
Fi20-G30-ON6L-Q12	20mm	Flush	NPN NO	10...30VDC	≤200mA	200Hz	-25...70°C	M12 Connector	Fig.1
Fi20-G30-CN6L-Q12	20mm	Flush	NPN NC	10...30VDC	≤200mA	200Hz	-25...70°C	M12 Connector	Fig.1

Dimensions:

Fig.1



<< Inductive Sensor

Metal Barrel-ZG series



Description:

Stainless steel housing, Wide voltage, Anti vibration and shock design, IP68 protection class, PUR cable.

See the wiring diagram on page 231-233 for your reference.

Technical Data:

Type	Rated Operating Distance Sn	Mounting	Output	Voltage Range U _B	Rated Current	Switching Frequency	Ambient Temperature	Connection	Fig
Fi4-ZG12-OP6L	4mm	Flush	PNP NO	10...60VDC	≤200mA	650Hz	-40...85 °C	2m cable	Fig.1
Fi4-ZG12-CP6L	4mm	Flush	PNP NC	10...60VDC	≤200mA	650Hz	-40...85 °C	2m cable	Fig.1
Fi4-ZG12-ON6L	4mm	Flush	NPN NO	10...60VDC	≤200mA	650Hz	-40...85 °C	2m cable	Fig.1
Fi4-ZG12-CN6L	4mm	Flush	NPN NC	10...60VDC	≤200mA	650Hz	-40...85 °C	2m cable	Fig.1
Ni6-ZG12-OP6L	6mm	Non-flush	PNP NO	10...60VDC	≤200mA	600Hz	-40...85 °C	2m cable	Fig.2
Ni6-ZG12-CP6L	6mm	Non-flush	PNP NC	10...60VDC	≤200mA	600Hz	-40...85 °C	2m cable	Fig.2
Ni6-ZG12-ON6L	6mm	Non-flush	NPN NO	10...60VDC	≤200mA	600Hz	-40...85 °C	2m cable	Fig.2
Ni6-ZG12-CN6L	6mm	Non-flush	NPN NC	10...60VDC	≤200mA	600Hz	-40...85 °C	2m cable	Fig.2

Dimensions:

Fig.1

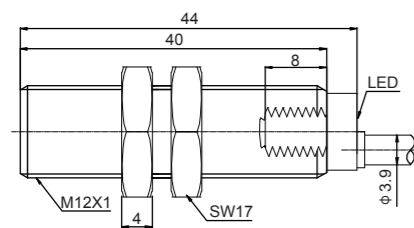
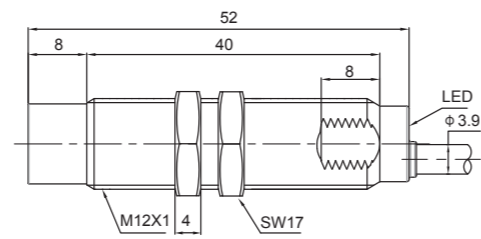


Fig.2



Metal Barrel-ZG series



Description:

Stainless steel housing, Wide voltage, Anti vibration and shock design, IP68 protection class, PUR cable.

See the wiring diagram on page 231-233 for your reference.

Technical Data:

Type	Rated Operating Distance Sn	Mounting	Output	Voltage Range U _B	Rated Current	Switching Frequency	Ambient Temperature	Connection	Fig
Fi4-ZG12-OP6L-Q12	4mm	Flush	PNP NO	10...60VDC	≤200mA	650Hz	-40...85 °C	M12 Connector	Fig.1
Fi4-ZG12-CP6L-Q12	4mm	Flush	PNP NC	10...60VDC	≤200mA	650Hz	-40...85 °C	M12 Connector	Fig.1
Fi4-ZG12-ON6L-Q12	4mm	Flush	NPN NO	10...60VDC	≤200mA	650Hz	-40...85 °C	M12 Connector	Fig.1
Fi4-ZG12-CN6L-Q12	4mm	Flush	NPN NC	10...60VDC	≤200mA	650Hz	-40...85 °C	M12 Connector	Fig.1
Ni6-ZG12-OP6L-Q12	6mm	Non-flush	PNP NO	10...60VDC	≤200mA	600Hz	-40...85 °C	M12 Connector	Fig.2
Ni6-ZG12-CP6L-Q12	6mm	Non-flush	PNP NC	10...60VDC	≤200mA	600Hz	-40...85 °C	M12 Connector	Fig.2
Ni6-ZG12-ON6L-Q12	6mm	Non-flush	NPN NO	10...60VDC	≤200mA	600Hz	-40...85 °C	M12 Connector	Fig.2
Ni6-ZG12-CN6L-Q12	6mm	Non-flush	NPN NC	10...60VDC	≤200mA	600Hz	-40...85 °C	M12 Connector	Fig.2

Dimensions:

Fig.1

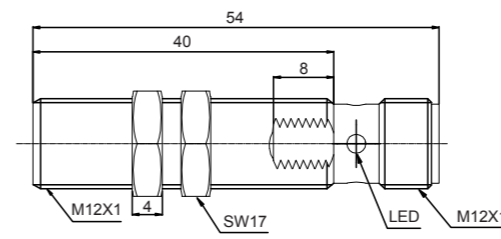
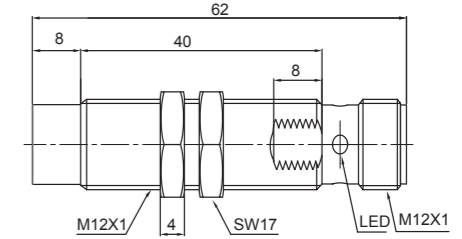


Fig.2



<< Inductive Sensor

Metal Barrel-ZG series



Description:

Stainless steel housing, Wide voltage, Anti vibration and shock design, IP68 protection class, PUR cable.

See the wiring diagram on page 231-233 for your reference.

Technical Data:

Type	Rated Operating Distance Sn	Mounting	Output	Voltage Range U _s	Rated Current	Switching Frequency	Ambient Temperature	Connection	Fig
Fi8-ZG18-OP6L	8mm	Flush	PNP NO	10...60VDC	≤200mA	500Hz	-40...85 C	2m cable	Fig.1
Fi8-ZG18-CP6L	8mm	Flush	PNP NC	10...60VDC	≤200mA	500Hz	-40...85 C	2m cable	Fig.1
Fi8-ZG18-ON6L	8mm	Flush	NPN NO	10...60VDC	≤200mA	500Hz	-40...85 C	2m cable	Fig.1
Fi8-ZG18-CN6L	8mm	Flush	NPN NC	10...60VDC	≤200mA	500Hz	-40...85 C	2m cable	Fig.1
Ni12-ZG18-OP6L	12mm	Non-flush	PNP NO	10...60VDC	≤200mA	350Hz	-40...85 C	2m cable	Fig.2
Ni12-ZG18-CP6L	12mm	Non-flush	PNP NC	10...60VDC	≤200mA	350Hz	-40...85 C	2m cable	Fig.2
Ni12-ZG18-ON6L	12mm	Non-flush	NPN NO	10...60VDC	≤200mA	350Hz	-40...85 C	2m cable	Fig.2
Ni12-ZG18-CN6L	12mm	Non-flush	NPN NC	10...60VDC	≤200mA	350Hz	-40...85 C	2m cable	Fig.2

Dimensions:

Fig.1

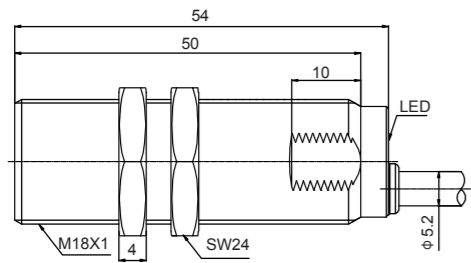
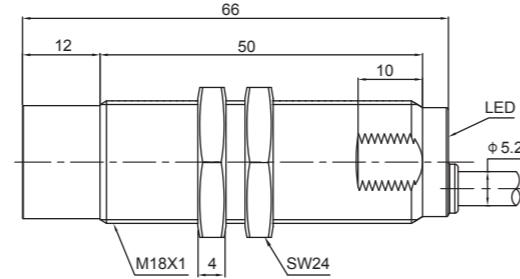


Fig.2



Metal Barrel-ZG series



Description:

Stainless steel housing, Wide voltage, Anti vibration and shock design, IP68 protection class, PUR cable.

See the wiring diagram on page 231-233 for your reference.

Technical Data:

Type	Rated Operating Distance Sn	Mounting	Output	Voltage Range U _s	Rated Current	Switching Frequency	Ambient Temperature	Connection	Fig
Fi8-ZG18-OP6L-Q12	8mm	Flush	PNP NO	10...60VDC	≤200mA	500Hz	-40...85 C	M12 Connector	Fig.1
Fi8-ZG18-CP6L-Q12	8mm	Flush	PNP NC	10...60VDC	≤200mA	500Hz	-40...85 C	M12 Connector	Fig.1
Fi8-ZG18-ON6L-Q12	8mm	Flush	NPN NO	10...60VDC	≤200mA	500Hz	-40...85 C	M12 Connector	Fig.1
Fi8-ZG18-CN6L-Q12	8mm	Flush	NPN NC	10...60VDC	≤200mA	500Hz	-40...85 C	M12 Connector	Fig.1
Ni12-ZG18-OP6L-Q12	12mm	Non-flush	PNP NO	10...60VDC	≤200mA	350Hz	-40...85 C	M12 Connector	Fig.2
Ni12-ZG18-CP6L-Q12	12mm	Non-flush	PNP NC	10...60VDC	≤200mA	350Hz	-40...85 C	M12 Connector	Fig.2
Ni12-ZG18-ON6L-Q12	12mm	Non-flush	NPN NO	10...60VDC	≤200mA	350Hz	-40...85 C	M12 Connector	Fig.2
Ni12-ZG18-CN6L-Q12	12mm	Non-flush	NPN NC	10...60VDC	≤200mA	350Hz	-40...85 C	M12 Connector	Fig.2

Dimensions:

Fig.1

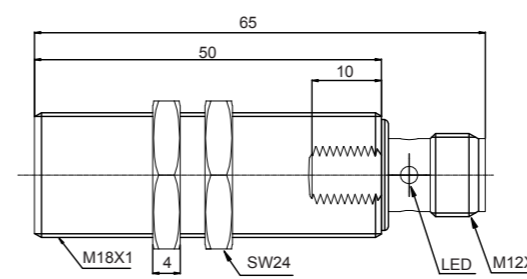
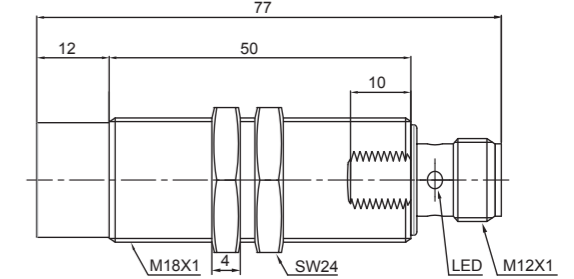


Fig.2



<< Inductive Sensor

Metal Barrel-ZG series



Description:

Stainless steel housing, Wide voltage, Anti vibration and shock design, IP68 protection class, PUR cable.

See the wiring diagram on page 231-233 for your reference.

Technical Data:

Type	Rated Operating Distance Sn	Mounting	Output	Voltage Range U _B	Rated Current	Switching Frequency	Ambient Temperature	Connection	Fig
Fi15-ZG30-OP6L	15mm	Flush	PNP NO	10...60VDC	≤200mA	350Hz	-40...85°C	2m cable	Fig.1
Fi15-ZG30-CP6L	15mm	Flush	PNP NC	10...60VDC	≤200mA	350Hz	-40...85°C	2m cable	Fig.1
Fi15-ZG30-ON6L	15mm	Flush	NPN NO	10...60VDC	≤200mA	350Hz	-40...85°C	2m cable	Fig.1
Fi15-ZG30-CN6L	15mm	Flush	NPN NC	10...60VDC	≤200mA	350Hz	-40...85°C	2m cable	Fig.1
Ni22-ZG30-OP6L	22mm	Non-flush	PNP NO	10...60VDC	≤200mA	200Hz	-40...85°C	2m cable	Fig.2
Ni22-ZG30-CP6L	22mm	Non-flush	PNP NC	10...60VDC	≤200mA	200Hz	-40...85°C	2m cable	Fig.2
Ni22-ZG30-ON6L	22mm	Non-flush	NPN NO	10...60VDC	≤200mA	200Hz	-40...85°C	2m cable	Fig.2
Ni22-ZG30-CN6L	22mm	Non-flush	NPN NC	10...60VDC	≤200mA	200Hz	-40...85°C	2m cable	Fig.2

Dimensions:

Fig.1

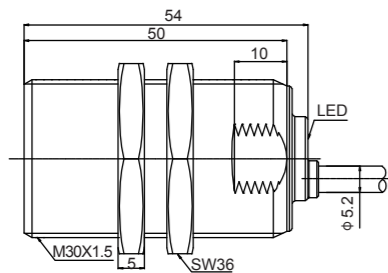
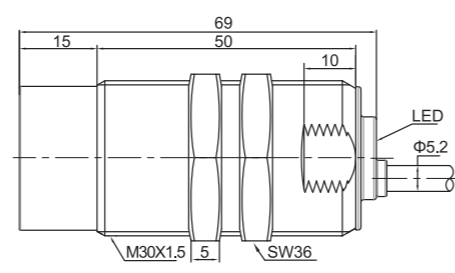


Fig.2



Metal Barrel-ZG series



Description:

Stainless steel housing, Wide voltage, Anti vibration and shock design, IP68 protection class, PUR cable.

See the wiring diagram on page 231-233 for your reference.

Technical Data:

Type	Rated Operating Distance Sn	Mounting	Output	Voltage Range U _B	Rated Current	Switching Frequency	Ambient Temperature	Connection	Fig
Fi15-ZG30-OP6L-Q12	15mm	Flush	PNP NO	10...60VDC	≤200mA	350Hz	-40...85°C	M12 Connector	Fig.1
Fi15-ZG30-CP6L-Q12	15mm	Flush	PNP NC	10...60VDC	≤200mA	350Hz	-40...85°C	M12 Connector	Fig.1
Fi15-ZG30-ON6L-Q12	15mm	Flush	NPN NO	10...60VDC	≤200mA	350Hz	-40...85°C	M12 Connector	Fig.1
Fi15-ZG30-CN6L-Q12	15mm	Flush	NPN NC	10...60VDC	≤200mA	350Hz	-40...85°C	M12 Connector	Fig.1
Ni22-ZG30-OP6L-Q12	22mm	Non-flush	PNP NO	10...60VDC	≤200mA	200Hz	-40...85°C	M12 Connector	Fig.2
Ni22-ZG30-CP6L-Q12	22mm	Non-flush	PNP NC	10...60VDC	≤200mA	200Hz	-40...85°C	M12 Connector	Fig.2
Ni22-ZG30-ON6L-Q12	22mm	Non-flush	NPN NO	10...60VDC	≤200mA	200Hz	-40...85°C	M12 Connector	Fig.2
Ni22-ZG30-CN6L-Q12	22mm	Non-flush	NPN NC	10...60VDC	≤200mA	200Hz	-40...85°C	M12 Connector	Fig.2

Dimensions:

Fig.1

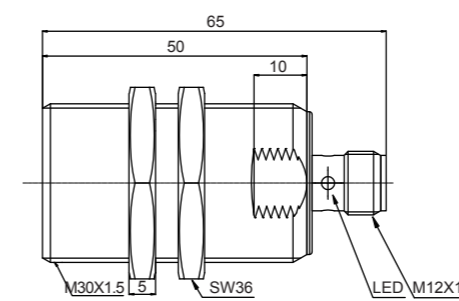
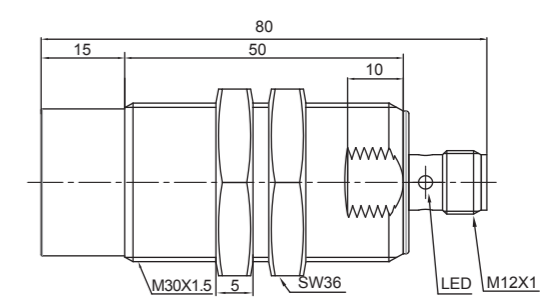


Fig.2



<< Inductive Sensor

Plastic Rectangular-Q08



Description:

Plastic housing, compact rectangular, DC 2-wire output, IP67 protection class, LED indicator.

See the wiring diagram on page 231-233 for your reference.

Technical Data:

Type	Rated Operating Distance Sn	Mounting	Output	Voltage Range U _s	Rated Current	Switching Frequency	Ambient Temperature	Connection	Fig
Ni2.5-Q08-OD6L	2.5mm	Non-flush	NO DC	10...30VDC	≤100mA	800Hz	-25...70°C	2m cable	Fig.1
Ni2.5-Q08-CD6L	2.5mm	Non-flush	NC DC	10...30VDC	≤100mA	800Hz	-25...70°C	2m cable	Fig.1
Ni2.5-Q08B-OD6L	2.5mm	Non-flush	NO DC	10...30VDC	≤100mA	800Hz	-25...70°C	2m cable	Fig.2
Ni2.5-Q08B-CD6L	2.5mm	Non-flush	NC DC	10...30VDC	≤100mA	800Hz	-25...70°C	2m cable	Fig.2

Dimensions:

Fig.1

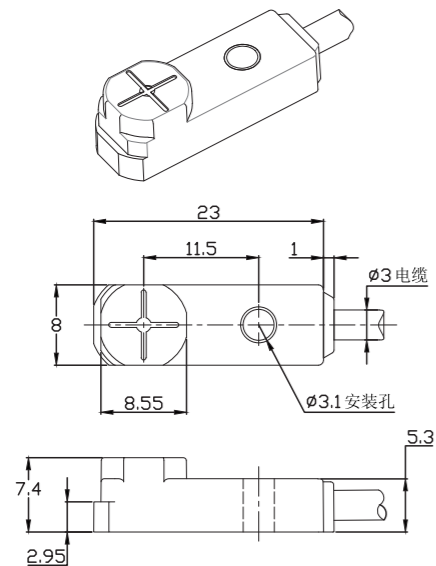
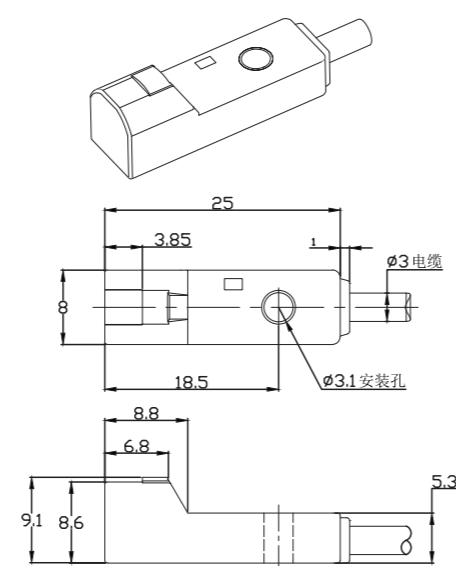


Fig.2



Plastic Rectangular-Q08



Description:

Plastic housing, compact rectangular, DC 3-wire output, IP67 protection class, LED indicator.

See the wiring diagram on page 231-233 for your reference.

Technical Data:

Type	Rated Operating Distance Sn	Mounting	Output	Voltage Range U _s	Rated Current	Switching Frequency	Ambient Temperature	Connection	Fig
Ni2.5-Q08-OP6L	2.5mm	Non-flush	NO PNP	10...30VDC	≤200mA	800Hz	-25...70°C	2m cable	Fig.1
Ni2.5-Q08-ON6L	2.5mm	Non-flush	NO NPN	10...30VDC	≤200mA	800Hz	-25...70°C	2m cable	Fig.1
Ni2.5-Q08-CP6L	2.5mm	Non-flush	NC PNP	10...30VDC	≤200mA	800Hz	-25...70°C	2m cable	Fig.1
Ni2.5-Q08-CN6L	2.5mm	Non-flush	NC NPN	10...30VDC	≤200mA	800Hz	-25...70°C	2m cable	Fig.1
Ni2.5-Q08B-OP6L	2.5mm	Non-flush	NO PNP	10...30VDC	≤200mA	800Hz	-25...70°C	2m cable	Fig.2
Ni2.5-Q08B-ON6L	2.5mm	Non-flush	NO NPN	10...30VDC	≤200mA	800Hz	-25...70°C	2m cable	Fig.2
Ni2.5-Q08B-CP6L	2.5mm	Non-flush	NC PNP	10...30VDC	≤200mA	800Hz	-25...70°C	2m cable	Fig.2
Ni2.5-Q08B-CN6L	2.5mm	Non-flush	NC NPN	10...30VDC	≤200mA	800Hz	-25...70°C	2m cable	Fig.2

Dimensions:

Fig.1

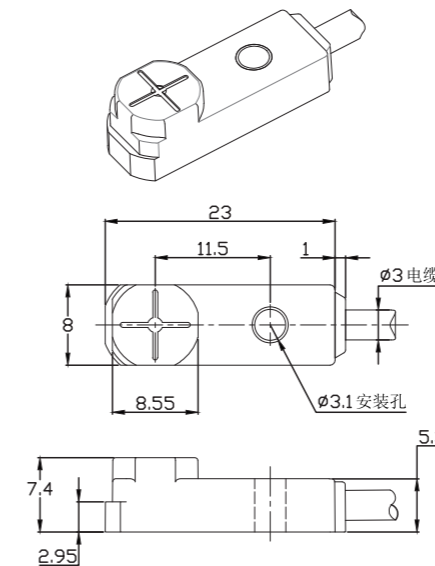
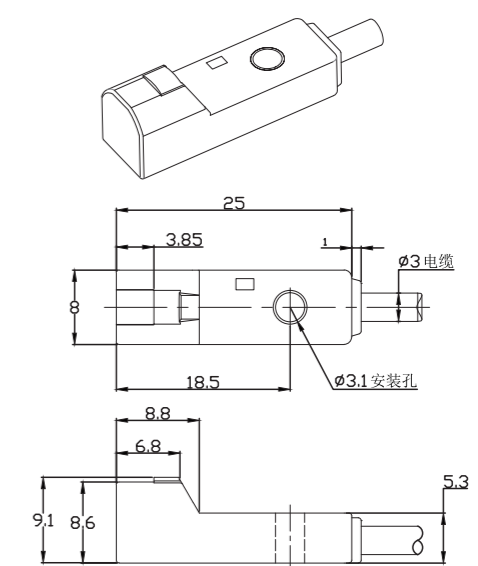


Fig.2



<< Inductive Sensor

Rectangular-MQ08



Description:

Brass nickel-plated, compact rectangular, DC 2-wire output, IP67 protection class, LED indicator.

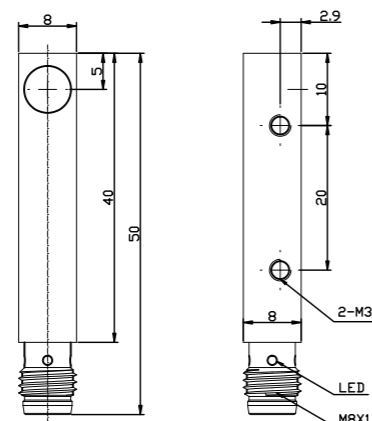
See the wiring diagram on page 231-233 for your reference.

Technical Data:

Type	Rated Operating Distance Sn	Mounting	Output	Voltage Range U _s	Rated Current	Switching Frequency	Ambient Temperature	Connection	Fig
F11.5-MQ08-OD6L-Q8	1.5mm	Flush	ON DC	10...30VDC	≤100mA	1000Hz	-25...+70°C	M08 Connector	Fig.1
F11.5-MQ08-CD6L-Q8	1.5mm	Flush	CN DC	10...30VDC	≤100mA	1000Hz	-25...+70°C	M08 Connector	Fig.1
F11.5-MQ08-OP6L-Q8	1.5mm	Flush	ON PNP	10...30VDC	≤200mA	1000Hz	-25...+70°C	M08 Connector	Fig.1
F11.5-MQ08-CP6L-Q8	1.5mm	Flush	CN PNP	10...30VDC	≤200mA	1000Hz	-25...+70°C	M08 Connector	Fig.1
F11.5-MQ08-ON6L-Q8	1.5mm	Flush	ON NPN	10...30VDC	≤200mA	1000Hz	-25...+70°C	M08 Connector	Fig.1
F11.5-MQ08-CN6L-Q8	1.5mm	Flush	CN NPN	10...30VDC	≤200mA	1000Hz	-25...+70°C	M08 Connector	Fig.1

Dimensions:

Fig.1



Plastic Rectangular-Q12



Description:

Plastic housing, compact rectangular, DC 2-wire output, IP67 protection class, LED indicator.

See the wiring diagram on page 231-233 for your reference.

Technical Data:

Type	Rated Operating Distance Sn	Mounting	Output	Voltage Range U _s	Rated Current	Switching Frequency	Ambient Temperature	Connection	Fig
Ni4-Q12-OD6L	4mm	Non-flush	NO DC	10...30VDC	≤100mA	500Hz	-25...70°C	2m cable	Fig.1
Ni4-Q12-CD6L	4mm	Non-flush	NC DC	10...30VDC	≤100mA	500Hz	-25...70°C	2m cable	Fig.1
Ni4-Q12B-OD6L	4mm	Non-flush	NO DC	10...30VDC	≤100mA	500Hz	-25...70°C	2m cable	Fig.2
Ni4-Q12B-CD6L	4mm	Non-flush	NC DC	10...30VDC	≤100mA	500Hz	-25...70°C	2m cable	Fig.2

Dimensions:

Fig.1

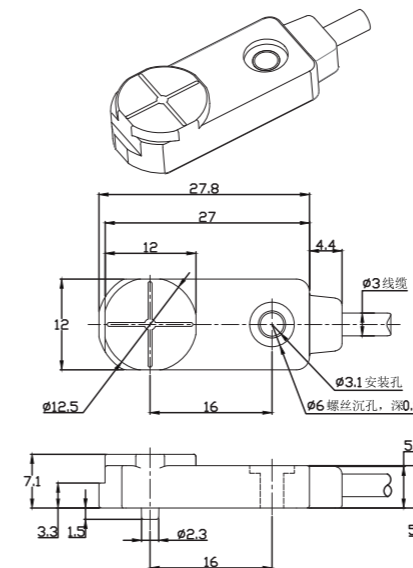
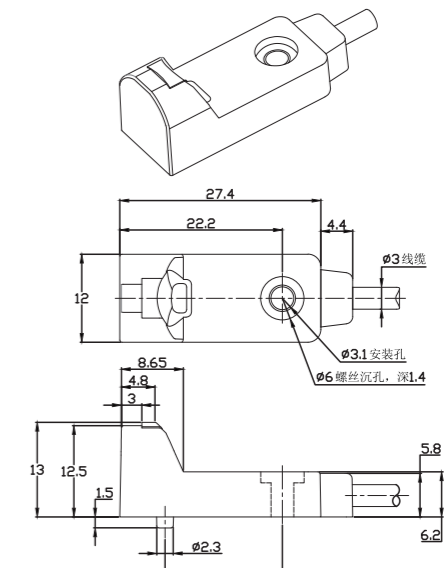


Fig.2



Plastic Rectangular-Q12



Description:

Plastic housing, compact rectangular, DC 3-wire output, IP67 protection class, LED indicator.

See the wiring diagram on page 231-233 for your reference.

Technical Data:

Type	Rated Operating Distance Sn	Mounting	Output	Voltage Range U _B	Rated Current	Switching Frequency	Ambient Temperature	Connection	Fig
Ni4-Q12-OP6L	4mm	Non-flush	NO PNP	10...30VDC	≤200mA	500Hz	-25...70°C	2m cable	Fig.1
Ni4-Q12-ON6L	4mm	Non-flush	NO NPN	10...30VDC	≤200mA	500Hz	-25...70°C	2m cable	Fig.1
Ni4-Q12-CP6L	4mm	Non-flush	NC PNP	10...30VDC	≤200mA	500Hz	-25...70°C	2m cable	Fig.1
Ni4-Q12-CN6L	4mm	Non-flush	NC NPN	10...30VDC	≤200mA	500Hz	-25...70°C	2m cable	Fig.1
Ni4-Q12B-OP6L	4mm	Non-flush	NO PNP	10...30VDC	≤200mA	500Hz	-25...70°C	2m cable	Fig.2
Ni4-Q12B-ON6L	4mm	Non-flush	NO NPN	10...30VDC	≤200mA	500Hz	-25...70°C	2m cable	Fig.2
Ni4-Q12B-CP6L	4mm	Non-flush	NC PNP	10...30VDC	≤200mA	500Hz	-25...70°C	2m cable	Fig.2
Ni4-Q12B-CN6L	4mm	Non-flush	NC NPN	10...30VDC	≤200mA	500Hz	-25...70°C	2m cable	Fig.2

Dimensions:

Fig.1

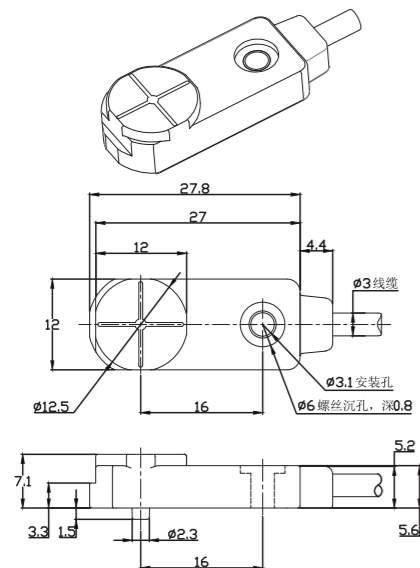
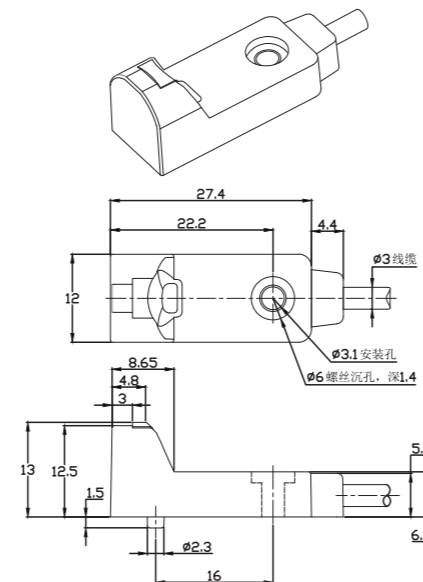
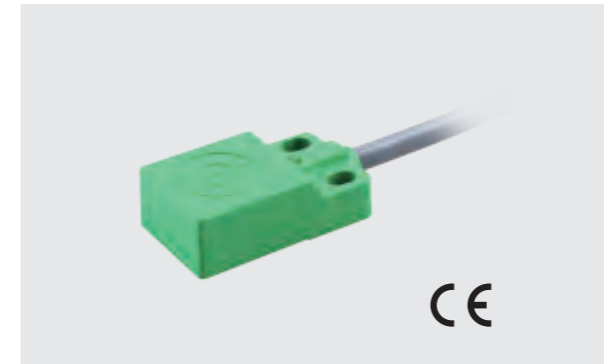


Fig.2



Plastic Rectangular-Q18C



Description:

Plastic housing, standard square, DC 3-wire output, IP67 protection class, upper end detection, LED indicator.

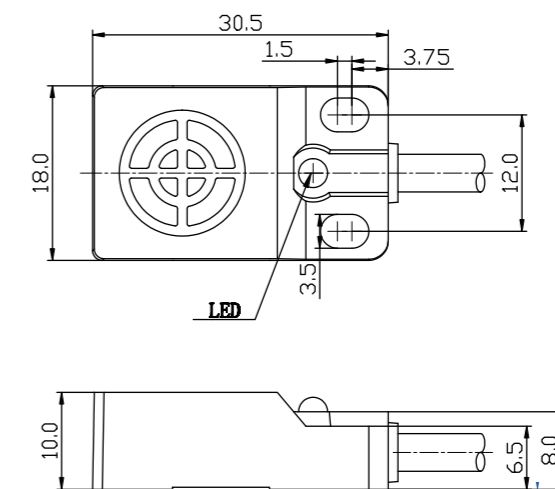
See the wiring diagram on page 231-233 for your reference.

Technical Data:

Type	Rated Operating Distance Sn	Mounting	Output	Voltage Range U _B	Rated Current	Switching Frequency	Ambient Temperature	Connection	Fig
Fi5-Q18C-OP6L	5mm	Flush	PNP NO	10...30VDC	≤200mA	800Hz	-25...70 °C	2m cable	Fig.1
Fi5-Q18C-CP6L	5mm	Flush	NPN NO	10...30VDC	≤200mA	800Hz	-25...70 °C	2m cable	Fig.1
Fi5-Q18C-ON6L	5mm	Flush	PNP NC	10...30VDC	≤200mA	800Hz	-25...70 °C	2m cable	Fig.1
Fi5-Q18C-CN6L	5mm	Flush	NPN NC	10...30VDC	≤200mA	800Hz	-25...70 °C	2m cable	Fig.1

Dimensions:

Fig.1



<< Inductive Sensor

Plastic Rectangular-Q18



Description:

Plastic housing, miniature rectangular 18x18mm, DC 2-wire output, AC 2-wire output, AC/DC 2-wire output, IP67 protection class, LED indicator.

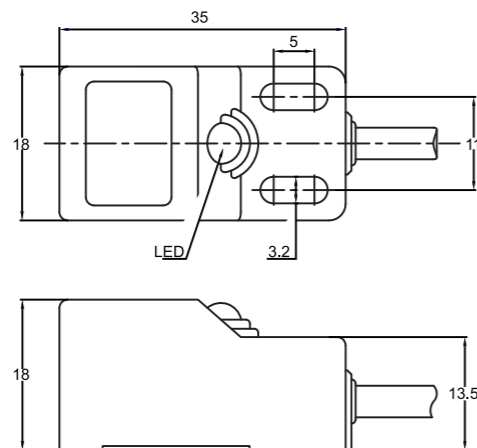
See the wiring diagram on page 231-233 for your reference.

Technical Data:

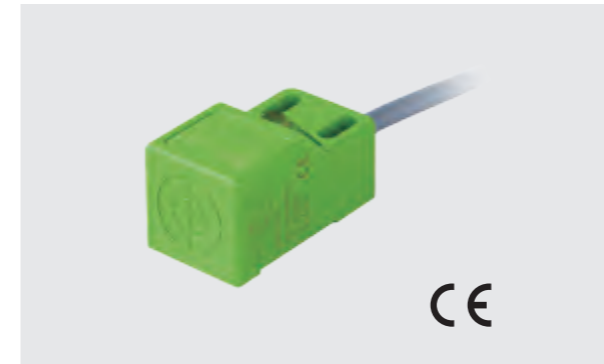
Type	Rated Operating Distance Sn	Mounting	Output	Voltage Range U _B	Rated Current	Switching Frequency	Ambient Temperature	Connection	Fig
F5-Q18-OD6L	5mm	Flush	NO DC	10...30VDC	≤100mA	200Hz	-25...70°C	2m cable	Fig.1
F5-Q18-CD6L	5mm	Flush	NC DC	10...30VDC	≤100mA	200Hz	-25...70°C	2m cable	Fig.1
F5-Q18-OSA3L	5mm	Flush	NO AC	20...250VAC	≤200mA	300Hz	-25...70°C	2m cable	Fig.1
F5-Q18-CSA3L	5mm	Flush	NC AC	20...250VAC	≤200mA	300Hz	-25...70°C	2m cable	Fig.1
Ni8-Q18-OD6L	8mm	Non-flush	NO DC	10...30VDC	≤100mA	200Hz	-25...70°C	2m cable	Fig.1
Ni8-Q18-CD6L	8mm	Non-flush	NC DC	10...30VDC	≤100mA	200Hz	-25...70°C	2m cable	Fig.1
Ni8-Q18-OSA3L	8mm	Non-flush	NO AC	20...250VAC	≤200mA	300Hz	-25...70°C	2m cable	Fig.1
Ni8-Q18-CSA3L	8mm	Non-flush	NC AC	20...250VAC	≤200mA	300Hz	-25...70°C	2m cable	Fig.1
F5-Q18-OA41L	5mm	Flush	NO DC/AC	20...250VAC/DC	DC≤100mA/AC≤200mA	300Hz	-25...70°C	2m cable	Fig.1
F5-Q18-CA41L	5mm	Flush	NC DC/AC	20...250VAC/DC	DC≤100mA/AC≤200mA	300Hz	-25...70°C	2m cable	Fig.1
Ni8-Q18-OA41L	8mm	Non-flush	NO DC/AC	20...250VAC/DC	DC≤100mA/AC≤200mA	300Hz	-25...70°C	2m cable	Fig.1
Ni8-Q18-CA41L	8mm	Non-flush	NC DC/AC	20...250VAC/DC	DC≤100mA/AC≤200mA	300Hz	-25...70°C	2m cable	Fig.1

Dimensions:

Fig.1



Plastic Rectangular-Q18



Description:

Plastic housing, miniature rectangular 18x18mm, DC 3-wire output, IP67 protection class, LED indicator.

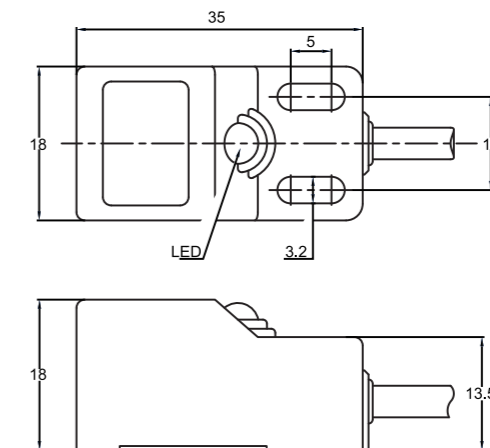
See the wiring diagram on page 231-233 for your reference.

Technical Data:

Type	Rated Operating Distance Sn	Mounting	Output	Voltage Range U _B	Rated Current	Switching Frequency	Ambient Temperature	Connection	Fig
Fi5-Q18-OP6L	5mm	Flush	PNP NO	10...30VDC	≤200mA	1000Hz	-25...70°C	2m cable	Fig.1
Fi5-Q18-ON6L	5mm	Flush	NPN NO	10...30VDC	≤200mA	1000Hz	-25...70°C	2m cable	Fig.1
Fi5-Q18-CP6L	5mm	Flush	PNP NC	10...30VDC	≤200mA	1000Hz	-25...70°C	2m cable	Fig.1
Fi5-Q18-CN6L	5mm	Flush	NPN NC	10...30VDC	≤200mA	1000Hz	-25...70°C	2m cable	Fig.1
Ni8-Q18-OP6L	8mm	Non-flush	PNP NO	10...30VDC	≤200mA	1000Hz	-25...70°C	2m cable	Fig.1
Ni8-Q18-ON6L	8mm	Non-flush	NPN NO	10...30VDC	≤200mA	1000Hz	-25...70°C	2m cable	Fig.1
Ni8-Q18-CP6L	8mm	Non-flush	PNP NC	10...30VDC	≤200mA	1000Hz	-25...70°C	2m cable	Fig.1
Ni8-Q18-CN6L	8mm	Non-flush	NPN NC	10...30VDC	≤200mA	1000Hz	-25...70°C	2m cable	Fig.1

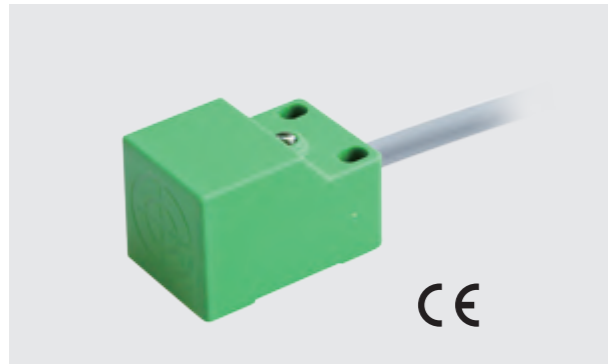
Dimensions:

Fig.1



<< Inductive Sensor

Plastic Rectangular-Q25



Description:

Plastic housing, miniature rectangular 25x25mm, DC 2-wire output, AC 2-wire output, AC/DC 2-wire output, IP67 protection class, LED indicator.

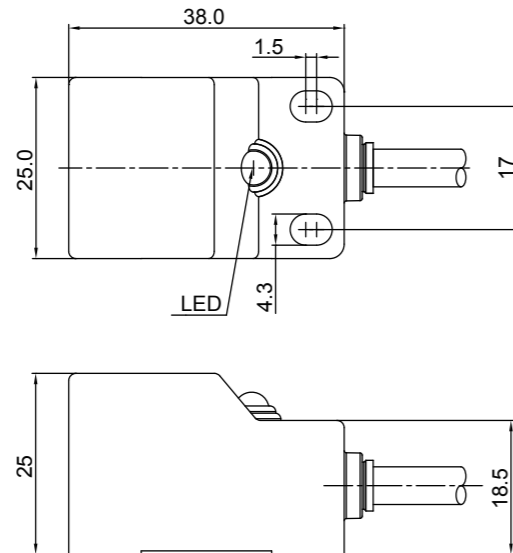
See the wiring diagram on page 231-233 for your reference.

Technical Data:

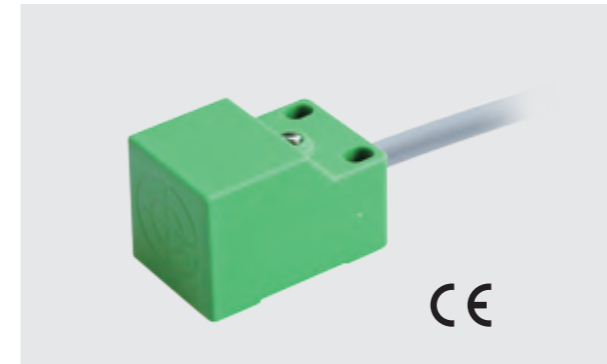
Type	Rated Operating Distance Sn	Mounting	Output	Voltage Range U _s	Rated Current	Switching Frequency	Ambient Temperature	Connection	Fig
Fi7-Q25-OD6L	7mm	Flush	NO DC	10...30VDC	≤100mA	200Hz	-25...70°C	2m cable	Fig.1
Fi7-Q25-CD6L	7mm	Flush	NC DC	10...30VDC	≤100mA	200Hz	-25...70°C	2m cable	Fig.1
Fi7-Q25-OSA3L	7mm	Flush	NO AC	20...250VAC	≤200mA	300Hz	-25...70°C	2m cable	Fig.1
Fi7-Q25-CSA3L	7mm	Flush	NC AC	20...250VAC	≤200mA	300Hz	-25...70°C	2m cable	Fig.1
Ni10-Q25-OD6L	10mm	Non-flush	NO DC	10...30VDC	≤100mA	200Hz	-25...70°C	2m cable	Fig.1
Ni10-Q25-CD6L	10mm	Non-flush	NC DC	10...30VDC	≤100mA	200Hz	-25...70°C	2m cable	Fig.1
Ni10-Q25-OSA3L	10mm	Non-flush	NO AC	20...250VAC	≤200mA	300Hz	-25...70°C	2m cable	Fig.1
Ni10-Q25-CSA3L	10mm	Non-flush	NC AC	20...250VAC	≤200mA	300Hz	-25...70°C	2m cable	Fig.1
Fi7-Q25-OA41L	7mm	Flush	NO DC/AC	20...250VAC/DC	DC≤100mA/AC≤200mA	300Hz	-25...70°C	2m cable	Fig.1
Fi7-Q25-CA41L	7mm	Flush	NC DC/AC	20...250VAC/DC	DC≤100mA/AC≤200mA	300Hz	-25...70°C	2m cable	Fig.1
Ni10-Q25-OA41L	10mm	Non-flush	NO DC/AC	20...250VAC/DC	DC≤100mA/AC≤200mA	300Hz	-25...70°C	2m cable	Fig.1
Ni10-Q25-CA41L	10mm	Non-flush	NC DC/AC	20...250VAC/DC	DC≤100mA/AC≤200mA	300Hz	-25...70°C	2m cable	Fig.1

Dimensions:

Fig.1



Plastic Rectangular-Q25



Description:

Plastic housing, miniature rectangular 25x25mm, DC 3-wire output, IP67 protection class, LED indicator.

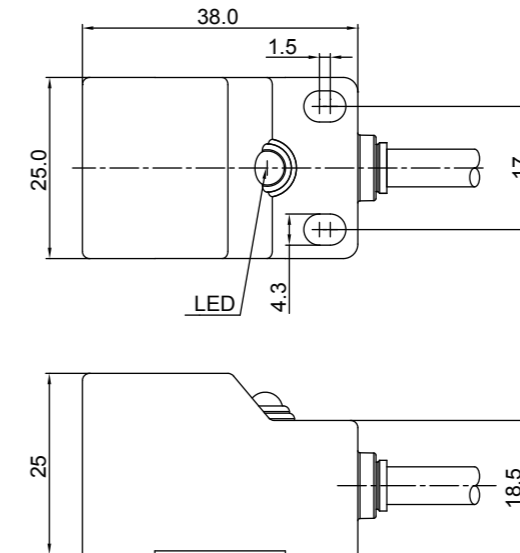
See the wiring diagram on page 231-233 for your reference.

Technical Data:

Type	Rated Operating Distance Sn	Mounting	Output	Voltage Range U _s	Rated Current	Switching Frequency	Ambient Temperature	Connection	Fig
Fi7-Q25-OP6L	7mm	Flush	PNP NO	10...30VDC	≤200mA	700Hz	-25...70°C	2m cable	Fig.1
Fi7-Q25-ON6L	7mm	Flush	NPN NO	10...30VDC	≤200mA	700Hz	-25...70°C	2m cable	Fig.1
Fi7-Q25-CP6L	7mm	Flush	PNP NC	10...30VDC	≤200mA	700Hz	-25...70°C	2m cable	Fig.1
Fi7-Q25-CN6L	7mm	Flush	NPN NC	10...30VDC	≤200mA	700Hz	-25...70°C	2m cable	Fig.1
Ni10-Q25-OP6L	10mm	Non-flush	PNP NO	10...30VDC	≤200mA	700Hz	-25...70°C	2m cable	Fig.1
Ni10-Q25-ON6L	10mm	Non-flush	NPN NO	10...30VDC	≤200mA	700Hz	-25...70°C	2m cable	Fig.1
Ni10-Q25-CP6L	10mm	Non-flush	PNP NC	10...30VDC	≤200mA	700Hz	-25...70°C	2m cable	Fig.1
Ni10-Q25-CN6L	10mm	Non-flush	NPN NC	10...30VDC	≤200mA	700Hz	-25...70°C	2m cable	Fig.1

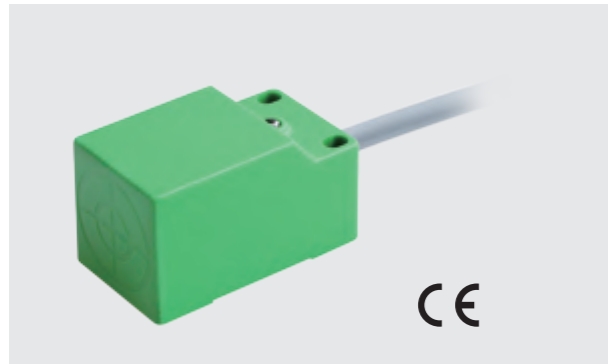
Dimensions:

Fig.1



<< Inductive Sensor

Plastic Rectangular-Q30



Description:

Plastic housing, miniature rectangular 30x30mm, DC 2-wire output, AC 2-wire output, AC/DC 2-wire output, IP67 protection class, LED indicator.

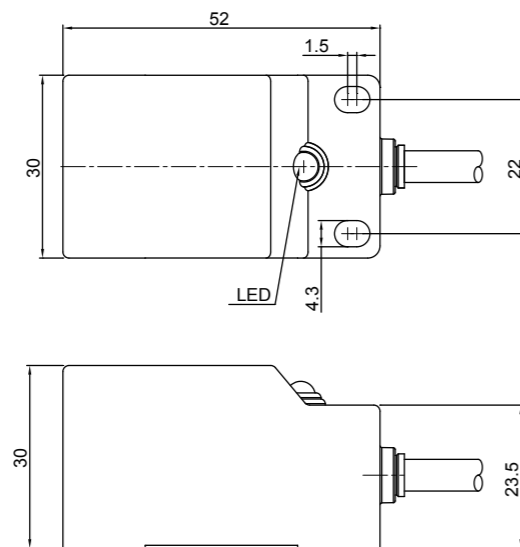
See the wiring diagram on page 231-233 for your reference.

Technical Data:

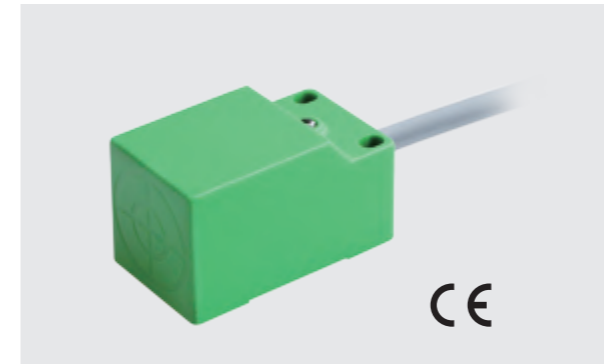
Type	Rated Operating Distance Sn	Mounting	Output	Voltage Range U _s	Rated Current	Switching Frequency	Ambient Temperature	Connection	Fig
Fi10-Q30-OD6L	10mm	Flush	NO DC	10...30VDC	≤100mA	500Hz	-25...70°C	2m cable	Fig.1
Fi10-Q30-CD6L	10mm	Flush	NC DC	10...30VDC	≤100mA	500Hz	-25...70°C	2m cable	Fig.1
Fi10-Q30-OSA3L	10mm	Flush	NO AC	20...250VAC	≤200mA	20Hz	-25...70°C	2m cable	Fig.1
Fi10-Q30-CSA3L	10mm	Flush	NC AC	20...250VAC	≤200mA	20Hz	-25...70°C	2m cable	Fig.1
Ni15-Q30-OD6L	15mm	Non-flush	NO DC	10...30VDC	≤100mA	500Hz	-25...70°C	2m cable	Fig.1
Ni15-Q30-CD6L	15mm	Non-flush	NC DC	10...30VDC	≤100mA	500Hz	-25...70°C	2m cable	Fig.1
Ni15-Q30-OSA3L	15mm	Non-flush	NO AC	20...250VAC	≤200mA	20Hz	-25...70°C	2m cable	Fig.1
Ni15-Q30-CSA3L	15mm	Non-flush	NC AC	20...250VAC	≤200mA	20Hz	-25...70°C	2m cable	Fig.1
Fi10-Q30-OA41L	10mm	Flush	NO DC/AC	20...250VAC/DC	DC≤100mA/AC≤200mA	20Hz	-25...70°C	2m cable	Fig.1
Fi10-Q30-CA41L	10mm	Flush	NC DC/AC	20...250VAC/DC	DC≤100mA/AC≤200mA	20Hz	-25...70°C	2m cable	Fig.1
Ni15-Q30-OA41L	15mm	Non-flush	NO DC/AC	20...250VAC/DC	DC≤100mA/AC≤200mA	20Hz	-25...70°C	2m cable	Fig.1
Ni15-Q30-CA41L	15mm	Non-flush	NC DC/AC	20...250VAC/DC	DC≤100mA/AC≤200mA	20Hz	-25...70°C	2m cable	Fig.1

Dimensions:

Fig.1



Plastic Rectangular-Q30



Description:

Plastic housing, miniature rectangular 30x30mm, DC 2-wire output, AC 2-wire output, AC/DC 2-wire output, IP67 protection class, LED indicator.

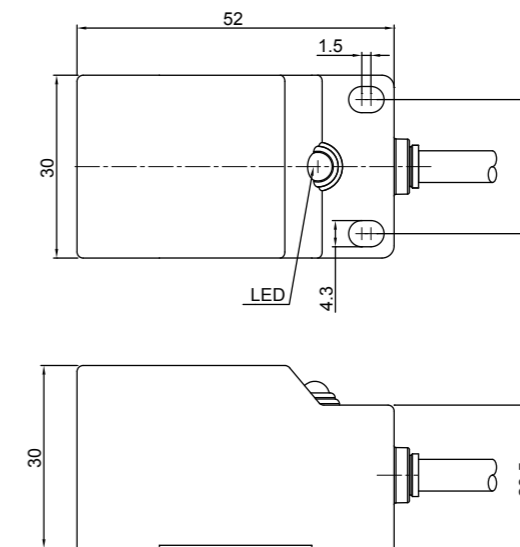
See the wiring diagram on page 231-233 for your reference.

Technical Data:

Type	Rated Operating Distance Sn	Mounting	Output	Voltage Range U _s	Rated Current	Switching Frequency	Ambient Temperature	Connection	Fig
Fi10-Q30-OP6L	10mm	Flush	PNP NO	10...30VDC	≤200mA	500Hz	-25...70°C	2m cable	Fig.1
Fi10-Q30-ON6L	10mm	Flush	NPN NO	10...30VDC	≤200mA	500Hz	-25...70°C	2m cable	Fig.1
Fi10-Q30-CP6L	10mm	Flush	PNP NC	10...30VDC	≤200mA	500Hz	-25...70°C	2m cable	Fig.1
Fi10-Q30-CN6L	10mm	Flush	NPN NC	10...30VDC	≤200mA	500Hz	-25...70°C	2m cable	Fig.1
Ni15-Q30-OP6L	15mm	Non-flush	PNP NO	10...30VDC	≤200mA	500Hz	-25...70°C	2m cable	Fig.1
Ni15-Q30-ON6L	15mm	Non-flush	NPN NO	10...30VDC	≤200mA	500Hz	-25...70°C	2m cable	Fig.1
Ni15-Q30-CP6L	15mm	Non-flush	PNP NC	10...30VDC	≤200mA	500Hz	-25...70°C	2m cable	Fig.1
Ni15-Q30-CN6L	15mm	Non-flush	NPN NC	10...30VDC	≤200mA	500Hz	-25...70°C	2m cable	Fig.1

Dimensions:

Fig.1



<< Inductive Sensor

Plastic Rectangular-W40



Description:

Plastic housing, rectangular 40x40mm, variable orientation of active face, DC 2-wire output, wide voltage range, IP67 protection class, power and action LED indicator.

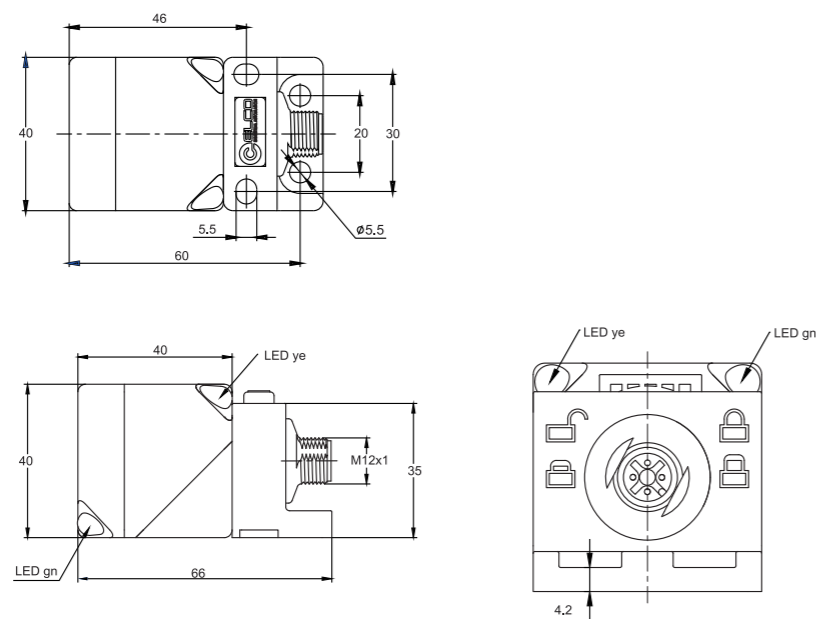
See the wiring diagram on page 231-233 for your reference.

Technical Data:

Type	Rated Operating Distance Sn	Mounting	Output	Voltage Range U _s	Rated Current	Switching Frequency	Ambient Temperature	Connection	Fig
Fi20-W40-OD6L-Q12	20mm	Flush	NO DC	10...30VDC	≤100mA	100Hz	-25...70°C	M12 Connector	Fig.1
Ni30-W40-OD6L-Q12	30mm	Non-flush	NO DC	10...30VDC	≤100mA	50Hz	-25...70°C	M12 Connector	Fig.1
Fi20-W40-CD6L-Q12	20mm	Flush	NC DC	10...30VDC	≤100mA	100Hz	-25...70°C	M12 Connector	Fig.1
Ni30-W40-CD6L-Q12	30mm	Non-flush	NC DC	10...30VDC	≤100mA	50Hz	-25...70°C	M12 Connector	Fig.1
Fi20-W40-OD9L-Q12	20mm	Flush	NO DC	10...60VDC	≤100mA	100Hz	-25...70°C	M12 Connector	Fig.1
Ni30-W40-OD9L-Q12	30mm	Non-flush	NO DC	10...60VDC	≤100mA	50Hz	-25...70°C	M12 Connector	Fig.1
Fi20-W40-CD9L-Q12	20mm	Flush	NC DC	10...60VDC	≤100mA	100Hz	-25...70°C	M12 Connector	Fig.1
Ni30-W40-CD9L-Q12	30mm	Non-flush	NC DC	10...60VDC	≤100mA	50Hz	-25...70°C	M12 Connector	Fig.1

Dimensions:

Fig.1



Plastic Rectangular-W40



Description:

Plastic housing, rectangular 40x40mm, variable orientation of active face, DC 3/4-wire output, IP67 protection class, LED power and action indicator.

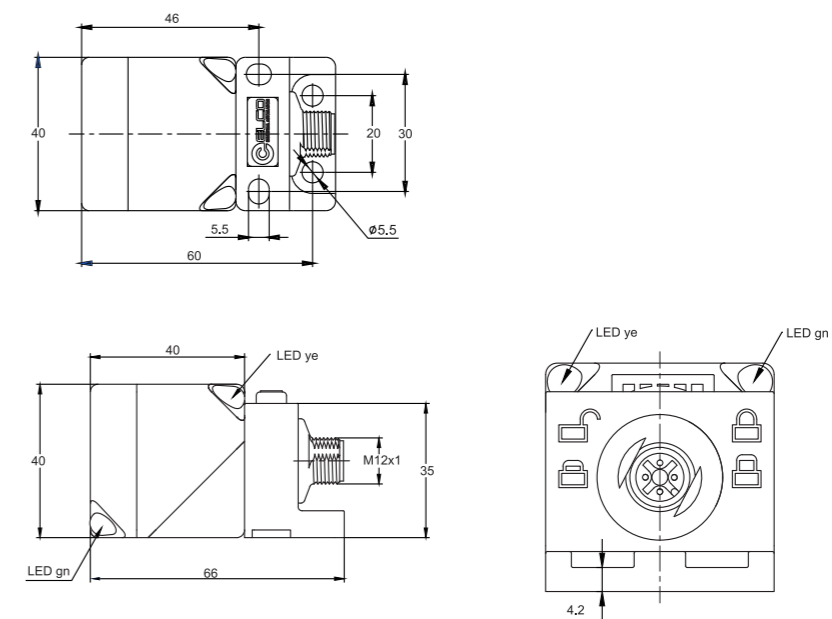
See the wiring diagram on page 231-233 for your reference.

Technical Data:

Type	Rated Operating Distance Sn	Mounting	Output	Voltage Range U _s	Rated Current	Switching Frequency	Ambient Temperature	Connection	Fig
Fi20-W40-ON6L-Q12	20mm	Flush	NO NPN	10...30VDC	≤200mA	100Hz	-25...70°C	M12 Connector	Fig.1
Fi20-W40-CN6L-Q12	20mm	Flush	NC NPN	10...30VDC	≤200mA	100Hz	-25...70°C	M12 Connector	Fig.1
Fi20-W40-BN6L-Q12	20mm	Flush	NO+NC NPN	10...30VDC	≤200mA	100Hz	-25...70°C	M12 Connector	Fig.1
Fi20-W40-OP6L-Q12	20mm	Flush	NO PNP	10...30VDC	≤200mA	100Hz	-25...70°C	M12 Connector	Fig.1
Fi20-W40-CP6L-Q12	20mm	Flush	NC PNP	10...30VDC	≤200mA	100Hz	-25...70°C	M12 Connector	Fig.1
Fi20-W40-BP6L-Q12	20mm	Flush	NO+NC PNP	10...30VDC	≤200mA	100Hz	-25...70°C	M12 Connector	Fig.1
Ni30-W40-ON6L-Q12	30mm	Non-flush	NO NPN	10...30VDC	≤200mA	50Hz	-25...70°C	M12 Connector	Fig.1
Ni30-W40-CN6L-Q12	30mm	Non-flush	NC NPN	10...30VDC	≤200mA	50Hz	-25...70°C	M12 Connector	Fig.1
Ni30-W40-BN6L-Q12	30mm	Non-flush	NO+NC NPN	10...30VDC	≤200mA	50Hz	-25...70°C	M12 Connector	Fig.1
Ni30-W40-OP6L-Q12	30mm	Non-flush	NO PNP	10...30VDC	≤200mA	50Hz	-25...70°C	M12 Connector	Fig.1
Ni30-W40-CP6L-Q12	30mm	Non-flush	NC PNP	10...30VDC	≤200mA	50Hz	-25...70°C	M12 Connector	Fig.1
Ni30-W40-BP6L-Q12	30mm	Non-flush	NO+NC PNP	10...30VDC	≤200mA	50Hz	-25...70°C	M12 Connector	Fig.1

Dimensions:

Fig.1



<< Inductive Sensor

Plastic Rectangular-W40



Description:

Plastic housing, rectangular 40x40mm, variable orientation of active face, AC/DC 2-wire output, IP67 protection class, power and action LED indicator.

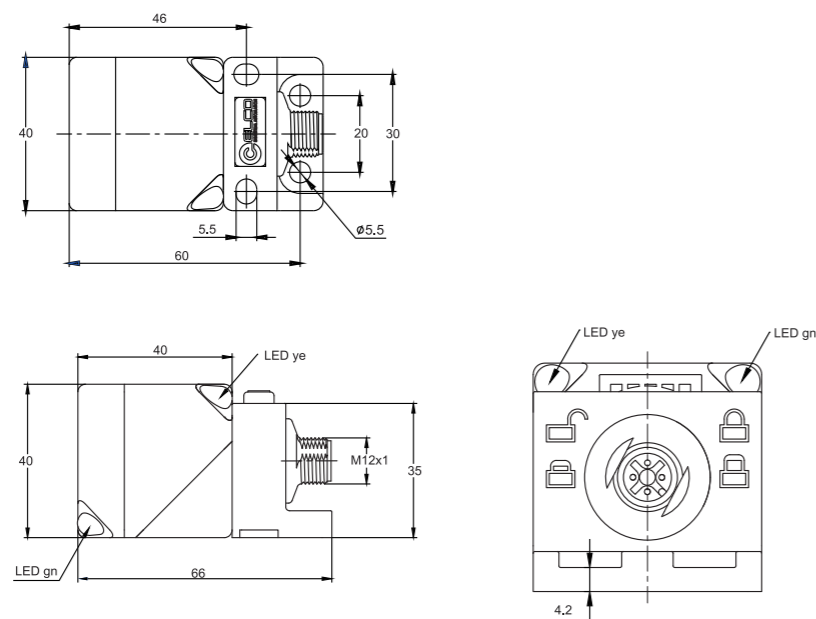
See the wiring diagram on page 231-233 for your reference.

Technical Data:

Type	Rated Operating Distance Sn	Mounting	Output	Voltage Range U _B	Rated Current	Switching Frequency	Ambient Temperature	Connection	Fig
Fi20-W40-OA41L-Q12	20mm	Flush	NO DC/AC	20...250VAC/DC	DC≤100mA/AC≤200mA	20Hz	-25...70°C	M12 Connector	Fig.1
Ni30-W40-CA41L-Q12	30mm	Non-flush	NC DC/AC	20...250VAC/DC	DC≤100mA/AC≤200mA	20Hz	-25...70°C	M12 Connector	Fig.1

Dimensions:

Fig.1



Plastic Rectangular-W40



Description:

Plastic housing, rectangular 40x40mm, variable orientation of active face, long - sensing distance, DC 2-wire output, wide voltage range, IP67 protection class, LED power and action indicator.

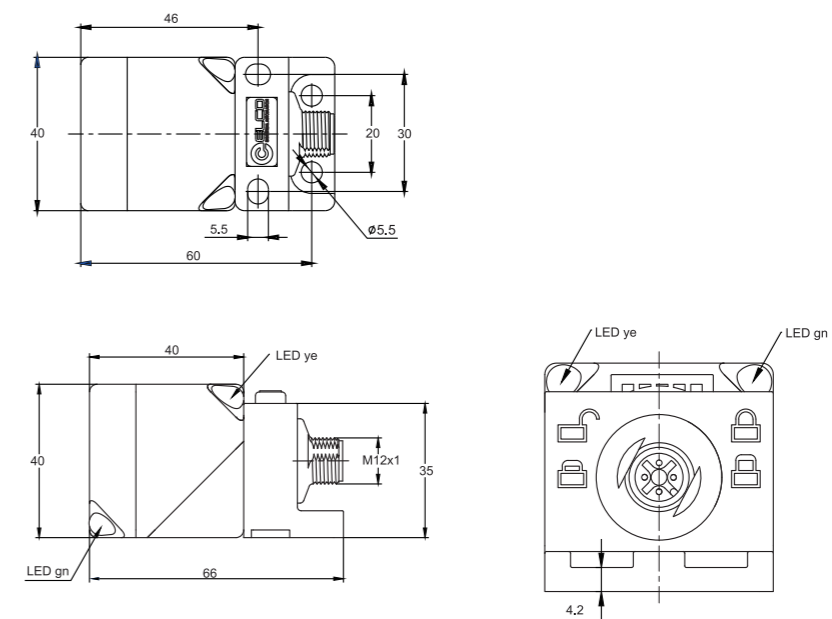
See the wiring diagram on page 231-233 for your reference.

Technical Data:

Type	Rated Operating Distance Sn	Mounting	Output	Voltage Range U _B	Rated Current	Switching Frequency	Ambient Temperature	Connection	Fig
Fi25-W40-OD6L-Q12	25mm	Flush	NO DC	10...30VDC	≤100mA	100Hz	-25...70°C	M12 Connector	Fig.1
Fi25-W40-CD6L-Q12	25mm	Non-flush	NC DC	10...30VDC	≤100mA	100Hz	-25...70°C	M12 Connector	Fig.1
Fi25-W40-OD9L-Q12	25mm	Flush	NO DC	10...60VDC	≤100mA	100Hz	-25...70°C	M12 Connector	Fig.1
Fi25-W40-CD9L-Q12	25mm	Non-flush	NC DC	10...60VDC	≤100mA	100Hz	-25...70°C	M12 Connector	Fig.1
Ni40-W40-OD6L-Q12	40mm	Flush	NO DC	10...30VDC	≤100mA	50Hz	-25...70°C	M12 Connector	Fig.1
Ni40-W40-CD6L-Q12	40mm	Non-flush	NC DC	10...30VDC	≤100mA	50Hz	-25...70°C	M12 Connector	Fig.1
Ni40-W40-OD9L-Q12	40mm	Flush	NO DC	10...60VDC	≤100mA	50Hz	-25...70°C	M12 Connector	Fig.1
Ni40-W40-CD9L-Q12	40mm	Non-flush	NC DC	10...60VDC	≤100mA	50Hz	-25...70°C	M12 Connector	Fig.1

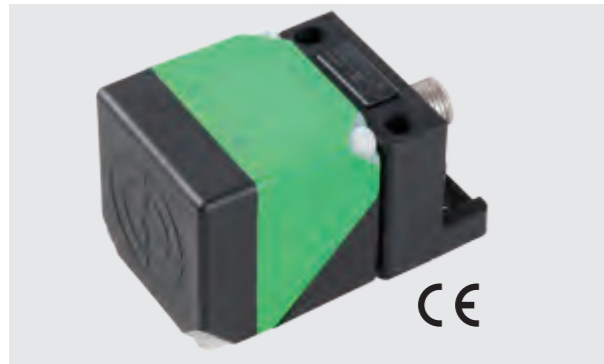
Dimensions:

Fig.1



<< Inductive Sensor

Plastic Rectangular-W40



Description:

Plastic housing, rectangular 40x40mm, variable orientation of active face, long - sensing distance, DC 3/4-wire output, IP67 protection class, LED power and action indicator.

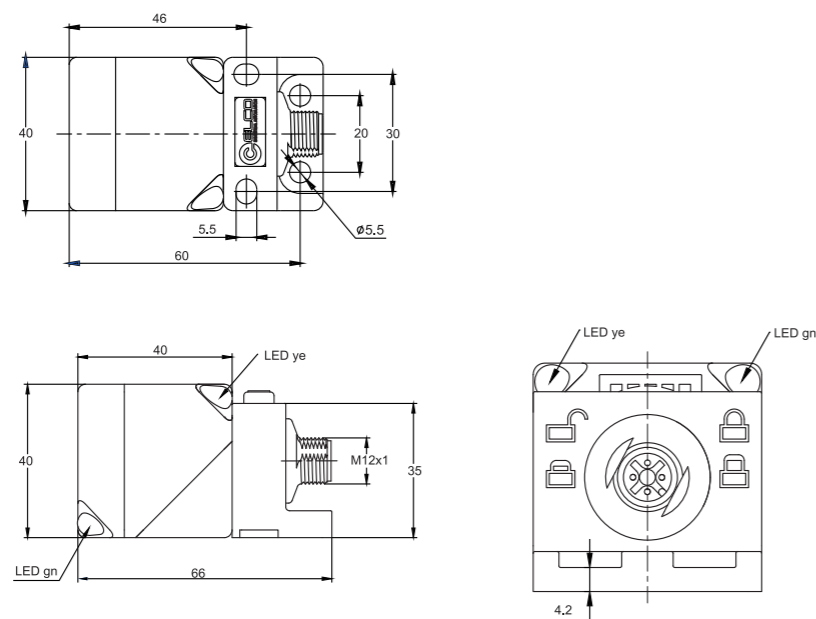
See the wiring diagram on page 231-233 for your reference.

Technical Data:

Type	Rated Operating Distance Sn	Mounting	Output	Voltage Range U _B	Rated Current	Switching Frequency	Ambient Temperature	Connection	Fig
Fi25-W40-ON6L-Q12	25mm	Flush	NO NPN	10...30VDC	≤200mA	100Hz	-25...70°C	M12 Connector	Fig.1
Fi25-W40-CN6L-Q12	25mm	Flush	NC NPN	10...30VDC	≤200mA	100Hz	-25...70°C	M12 Connector	Fig.1
Fi25-W40-BN6L-Q12	25mm	Flush	NO+NC NPN	10...30VDC	≤200mA	100Hz	-25...70°C	M12 Connector	Fig.1
Fi25-W40-OP6L-Q12	25mm	Flush	NO PNP	10...30VDC	≤200mA	100Hz	-25...70°C	M12 Connector	Fig.1
Fi25-W40-CP6L-Q12	25mm	Flush	NC PNP	10...30VDC	≤200mA	100Hz	-25...70°C	M12 Connector	Fig.1
Fi25-W40-BP6L-Q12	25mm	Flush	NO+NC PNP	10...30VDC	≤200mA	100Hz	-25...70°C	M12 Connector	Fig.1
Ni40-W40-ON6L-Q12	40mm	Non-flush	NO NPN	10...30VDC	≤200mA	50Hz	-25...70°C	M12 Connector	Fig.1
Ni40-W40-CN6L-Q12	40mm	Non-flush	NC NPN	10...30VDC	≤200mA	50Hz	-25...70°C	M12 Connector	Fig.1
Ni40-W40-BN6L-Q12	40mm	Non-flush	NO+NC NPN	10...30VDC	≤200mA	50Hz	-25...70°C	M12 Connector	Fig.1
Ni40-W40-OP6L-Q12	40mm	Non-flush	NO PNP	10...30VDC	≤200mA	50Hz	-25...70°C	M12 Connector	Fig.1
Ni40-W40-CP6L-Q12	40mm	Non-flush	NC PNP	10...30VDC	≤200mA	50Hz	-25...70°C	M12 Connector	Fig.1
Ni40-W40-BP6L-Q12	40mm	Non-flush	NO+NC PNP	10...30VDC	≤200mA	50Hz	-25...70°C	M12 Connector	Fig.1

Dimensions:

Fig.1



Plastic Rectangular-W40



Description:

Plastic housing, rectangular 40x40mm, variable orientation of active face, long - sensing distance, AC/DC 2-wire output, IP67 protection class, LED power and action indicator.

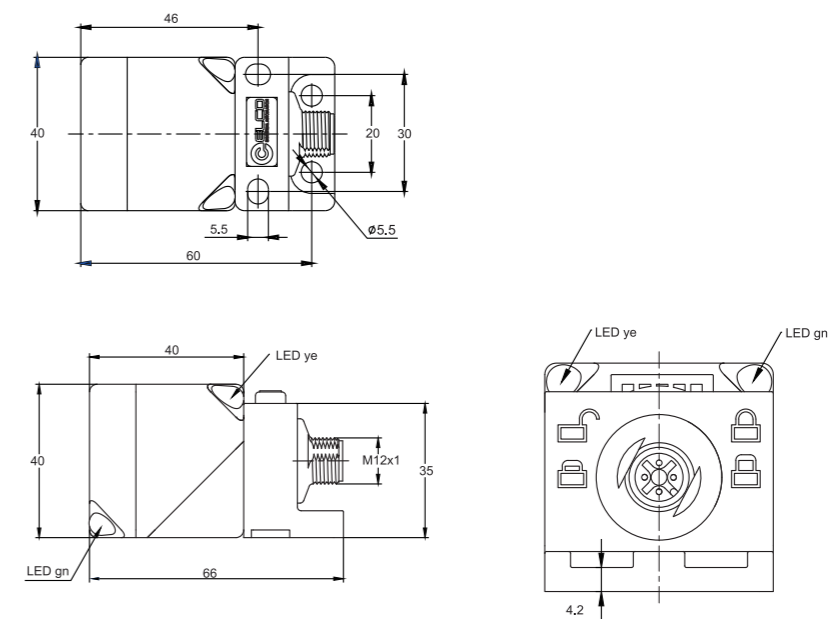
See the wiring diagram on page 231-233 for your reference.

Technical Data:

Type	Rated Operating Distance Sn	Mounting	Output	Voltage Range U _B	Rated Current	Switching Frequency	Ambient Temperature	Connection	Fig
Fi25-W40-OA41L-Q12	25mm	Flush	NO DC/AC	20...250VAC/DC	DC≤100mA/AC≤200mA	20Hz	-25...70°C	M12 Connector	Fig.1
Fi25-W40-CA41L-Q12	25mm	Flush	NC DC/AC	20...250VAC/DC	DC≤100mA/AC≤200mA	20Hz	-25...70°C	M12 Connector	Fig.1
Ni40-W40-OA41L-Q12	40mm	Non-flush	NO DC/AC	20...250VAC/DC	DC≤100mA/AC≤200mA	20Hz	-25...70°C	M12 Connector	Fig.1
Ni40-W40-CA41L-Q12	40mm	Non-flush	NC DC/AC	20...250VAC/DC	DC≤100mA/AC≤200mA	20Hz	-25...70°C	M12 Connector	Fig.1

Dimensions:

Fig.1



<< Inductive Sensor

Plastic Rectangular-WL40



Description:

Plastic housing, rectangular 40x40x118mm, DC 2-wire output, wide voltage range, IP67 protection class, power and action LED indicator.

See the wiring diagram on page 231-233 for your reference.

Plastic Rectangular-WL40



Description:

Plastic housing, rectangular 40x40x118mm, DC 3/4-wire output, IP67 protection class, power and action LED indicator.

See the wiring diagram on page 231-233 for your reference.

Technical Data:

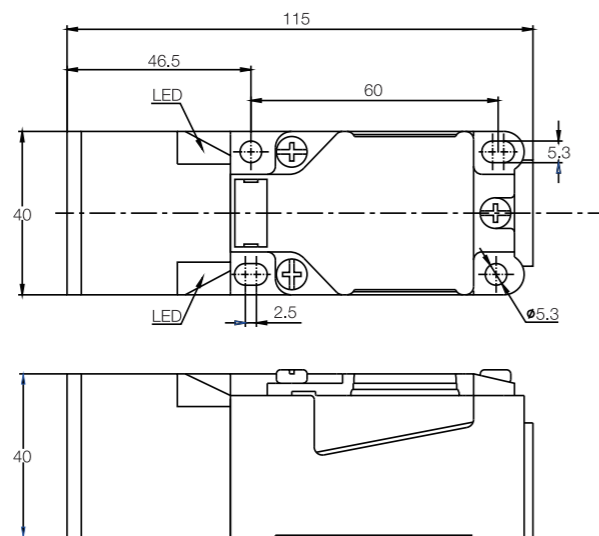
Type	Rated Operating Distance Sn	Mounting	Output	Voltage Range U _B	Rated Current	Switching Frequency	Ambient Temperature	Connection	Fig
Fi15-WL40-OD6L-Q	15mm	Flush	NO DC	10...30VDC	≤100mA	100Hz	-25...70°C	Terminal	Fig.1
Ni20-WL40-OD6L-Q	20mm	Non-flush	NO DC	10...30VDC	≤100mA	50Hz	-25...70°C	Terminal	Fig.1
Fi15-WL40-CD6L-Q	15mm	Flush	NC DC	10...30VDC	≤100mA	100Hz	-25...70°C	Terminal	Fig.1
Ni20-WL40-CD6L-Q	20mm	Non-flush	NC DC	10...30VDC	≤100mA	50Hz	-25...70°C	Terminal	Fig.1
Fi15-WL40-OD9L-Q	15mm	Flush	NO DC	10...60VDC	≤100mA	100Hz	-25...70°C	Terminal	Fig.1
Ni20-WL40-OD9L-Q	20mm	Non-flush	NO DC	10...60VDC	≤100mA	50Hz	-25...70°C	Terminal	Fig.1
Fi15-WL40-CD9L-Q	15mm	Flush	NC DC	10...60VDC	≤100mA	100Hz	-25...70°C	Terminal	Fig.1
Ni20-WL40-CD9L-Q	20mm	Non-flush	NC DC	10...60VDC	≤100mA	50Hz	-25...70°C	Terminal	Fig.1

Technical Data:

Type	Rated Operating Distance Sn	Mounting	Output	Voltage Range U _B	Rated Current	Switching Frequency	Ambient Temperature	Connection	Fig
Fi15-WL40-ON6L-Q	15mm	Flush	NO NPN	10...30VDC	≤200mA	100Hz	-25...70°C	Terminal	Fig.1
Fi15-WL40-CN6L-Q	15mm	Flush	NC NPN	10...30VDC	≤200mA	100Hz	-25...70°C	Terminal	Fig.1
Fi15-WL40-BN6L-Q	15mm	Flush	NO+NC NPN	10...30VDC	≤200mA	100Hz	-25...70°C	Terminal	Fig.1
Fi15-WL40-OP6L-Q	15mm	Flush	NO PNP	10...30VDC	≤200mA	100Hz	-25...70°C	Terminal	Fig.1
Fi15-WL40-CP6L-Q	15mm	Flush	NC PNP	10...30VDC	≤200mA	100Hz	-25...70°C	Terminal	Fig.1
Fi15-WL40-BP6L-Q	15mm	Flush	NO+NC PNP	10...30VDC	≤200mA	100Hz	-25...70°C	Terminal	Fig.1
Ni20-WL40-ON6L-Q	20mm	Non-flush	NO NPN	10...30VDC	≤200mA	50Hz	-25...70°C	Terminal	Fig.1
Ni20-WL40-CN6L-Q	20mm	Non-flush	NC NPN	10...30VDC	≤200mA	50Hz	-25...70°C	Terminal	Fig.1
Ni20-WL40-BN6L-Q	20mm	Non-flush	NO+NC NPN	10...30VDC	≤200mA	50Hz	-25...70°C	Terminal	Fig.1
Ni20-WL40-OP6L-Q	20mm	Non-flush	NO PNP	10...30VDC	≤200mA	50Hz	-25...70°C	Terminal	Fig.1
Ni20-WL40-CP6L-Q	20mm	Non-flush	NC PNP	10...30VDC	≤200mA	50Hz	-25...70°C	Terminal	Fig.1
Ni20-WL40-BP6L-Q	20mm	Non-flush	NO+NC PNP	10...30VDC	≤200mA	50Hz	-25...70°C	Terminal	Fig.1

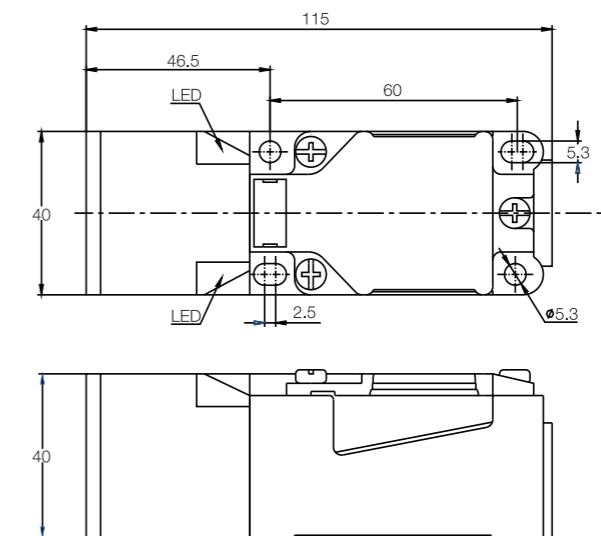
Dimensions:

Fig.1



Dimensions:

Fig.1



<< Inductive Sensor

Plastic Rectangular-WL40



Description:

Plastic housing, rectangular 40x40x118mm, DC 3/4-wire output, IP67 protection class, power and action LED indicator.

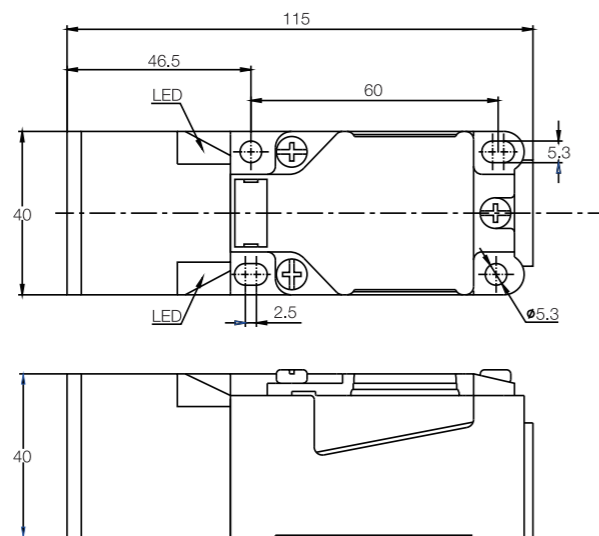
See the wiring diagram on page 231-233 for your reference.

Technical Data:

Type	Rated Operating Distance Sn	Mounting	Output	Voltage Range U _B	Rated Current	Switching Frequency	Ambient Temperature	Connection	Fig
Fi15-WL40-OA41L-Q	15mm	Flush	NO DC/AC	20...250VAC/DC	DC≤100mA/AC≤200mA	20Hz	-25...70°C	Terminal	Fig.1
Ni20-WL40-CA41L-Q	20mm	Non-flush	NC DC/AC	20...250VAC/DC	DC≤100mA/AC≤200mA	20Hz	-25...70°C	Terminal	Fig.1
Fi15-WL40-VA41L-Q	15mm	Flush	NO/NC DC/AC	20...250VAC/DC	DC≤100mA/AC≤200mA	20Hz	-25...70°C	Terminal	Fig.1
Ni20-WL40-VA41L-Q	20mm	Non-flush	NO/NC DC/AC	20...250VAC/DC	DC≤100mA/AC≤200mA	20Hz	-25...70°C	Terminal	Fig.1

Dimensions:

Fig.1



Plastic Rectangular-WL40



Description:

Plastic housing, rectangular 40x40x118mm, long - sensing distance, DC 2-wire output, wide voltage range, IP67 protection class, power and action LED indicator.

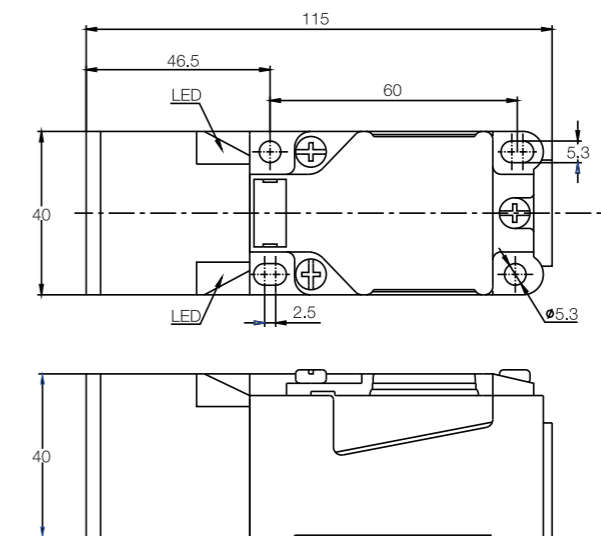
See the wiring diagram on page 231-233 for your reference.

Technical Data:

Type	Rated Operating Distance Sn	Mounting	Output	Voltage Range U _B	Rated Current	Switching Frequency	Ambient Temperature	Connection	Fig
Fi25-WL40-OD6L-Q	25mm	Flush	NO DC	10...30VDC	≤100mA	100Hz	-25...70°C	Terminal	Fig.1
Ni40-WL40-OD6L-Q	40mm	Non-flush	NO DC	10...30VDC	≤100mA	50Hz	-25...70°C	Terminal	Fig.1
Fi25-WL40-CD6L-Q	25mm	Flush	NC DC	10...30VDC	≤100mA	100Hz	-25...70°C	Terminal	Fig.1
Ni40-WL40-CD6L-Q	40mm	Non-flush	NC DC	10...30VDC	≤100mA	50Hz	-25...70°C	Terminal	Fig.1
Fi25-WL40-OD9L-Q	25mm	Flush	NO DC	10...60VDC	≤100mA	100Hz	-25...70°C	Terminal	Fig.1
Ni40-WL40-OD9L-Q	40mm	Non-flush	NO DC	10...60VDC	≤100mA	50Hz	-25...70°C	Terminal	Fig.1
Fi25-WL40-CD9L-Q	25mm	Flush	NC DC	10...60VDC	≤100mA	100Hz	-25...70°C	Terminal	Fig.1
Ni40-WL40-CD9L-Q	40mm	Non-flush	NC DC	10...60VDC	≤100mA	50Hz	-25...70°C	Terminal	Fig.1

Dimensions:

Fig.1



<< Inductive Sensor

Plastic Rectangular-WL40



Description:

Plastic housing, rectangular 40x40x118mm, long - sensing distance, DC 3/4-wire output, IP67 protection class, power and action LED indicator.

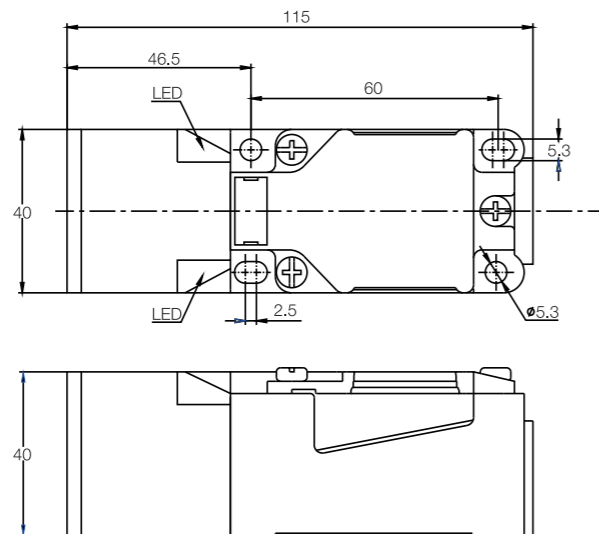
See the wiring diagram on page 231-233 for your reference.

Technical Data:

Type	Rated Operating Distance Sn	Mounting	Output	Voltage Range U _B	Rated Current	Switching Frequency	Ambient Temperature	Connection	Fig
Fi25-WL40-ON6L-Q	25mm	Flush	NO NPN	10...30VDC	≤200mA	100Hz	-25...70°C	Terminal	Fig.1
Fi25-WL40-CN6L-Q	25mm	Flush	NC NPN	10...30VDC	≤200mA	100Hz	-25...70°C	Terminal	Fig.1
Fi25-WL40-BN6L-Q	25mm	Flush	NO+NC NPN	10...30VDC	≤200mA	100Hz	-25...70°C	Terminal	Fig.1
Fi25-WL40-OP6L-Q	25mm	Flush	NO PNP	10...30VDC	≤200mA	100Hz	-25...70°C	Terminal	Fig.1
Fi25-WL40-CP6L-Q	25mm	Flush	NC PNP	10...30VDC	≤200mA	100Hz	-25...70°C	Terminal	Fig.1
Fi25-WL40-BP6L-Q	25mm	Flush	NO+NC PNP	10...30VDC	≤200mA	100Hz	-25...70°C	Terminal	Fig.1
Ni40-WL40-ON6L-Q	40mm	Non-flush	NO NPN	10...30VDC	≤200mA	50Hz	-25...70°C	Terminal	Fig.1
Ni40-WL40-CN6L-Q	40mm	Non-flush	NC NPN	10...30VDC	≤200mA	50Hz	-25...70°C	Terminal	Fig.1
Ni40-WL40-BN6L-Q	40mm	Non-flush	NO+NC NPN	10...30VDC	≤200mA	50Hz	-25...70°C	Terminal	Fig.1
Ni40-WL40-OP6L-Q	40mm	Non-flush	NO PNP	10...30VDC	≤200mA	50Hz	-25...70°C	Terminal	Fig.1
Ni40-WL40-CP6L-Q	40mm	Non-flush	NC PNP	10...30VDC	≤200mA	50Hz	-25...70°C	Terminal	Fig.1
Ni40-WL40-BP6L-Q	40mm	Non-flush	NO+NC PNP	10...30VDC	≤200mA	50Hz	-25...70°C	Terminal	Fig.1

Dimensions:

Fig.1



Plastic Rectangular-WL40



Description:

Plastic housing, rectangular 40x40x118mm, long - sensing distance, AC/DC 2-wire output, IP67 protection class, power and action LED indicator.

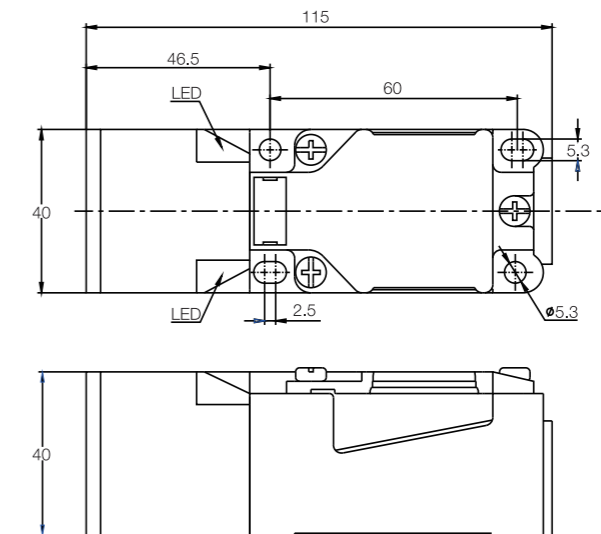
See the wiring diagram on page 231-233 for your reference.

Technical Data:

Type	Rated Operating Distance Sn	Mounting	Output	Voltage Range U _B	Rated Current	Switching Frequency	Ambient Temperature	Connection	Fig
Fi25-WL40-OA41L-Q	25mm	Flush	NO DC/AC	20...250VAC/DC	DC≤100mA/AC≤200mA	20Hz	-25...70°C	Terminal	Fig.1
Ni40-WL40-CA41L-Q	40mm	Non-flush	NC DC/AC	20...250VAC/DC	DC≤100mA/AC≤200mA	20Hz	-25...70°C	Terminal	Fig.1
Fi25-WL40-VA41L-Q	25mm	Flush	NO/NC DC/AC	20...250VAC/DC	DC≤100mA/AC≤200mA	20Hz	-25...70°C	Terminal	Fig.1
Ni40-WL40-VA41L-Q	40mm	Non-flush	NO/NC DC/AC	20...250VAC/DC	DC≤100mA/AC≤200mA	20Hz	-25...70°C	Terminal	Fig.1

Dimensions:

Fig.1



<< Inductive Sensor

Plastic Rectangular-W80



Description:

Plastic housing, rectangular 80x80mm, DC 2-wire output, wide voltage range, IP67 protection class, power and action LED indicator.

See the wiring diagram on page 231-233 for your reference.

Plastic Rectangular-W80



Description:

Plastic housing, rectangular 80x80mm, DC 3/4-wire output, IP67 protection class, power and action LED indicator.

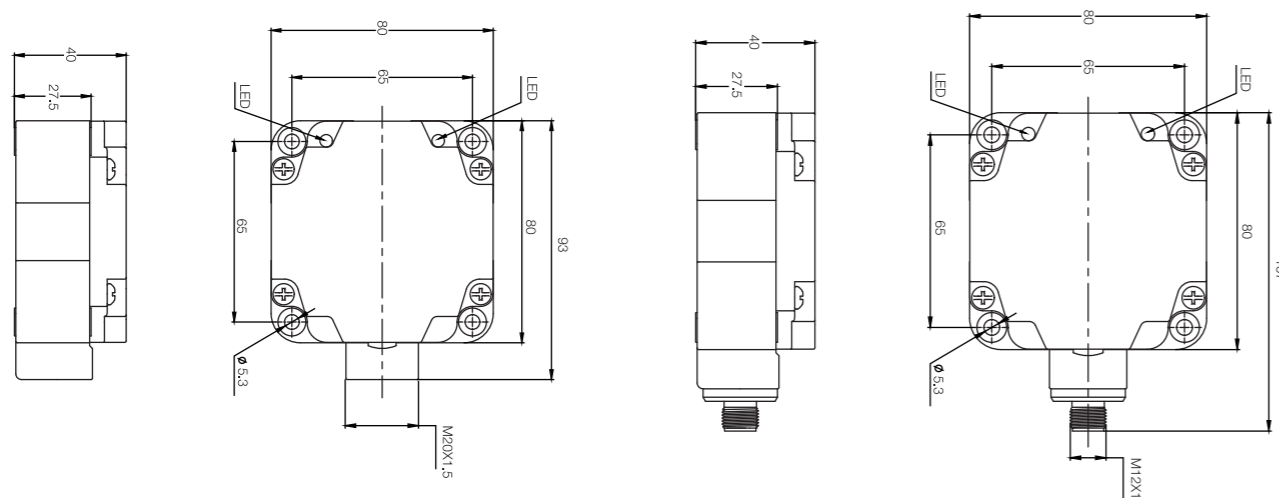
See the wiring diagram on page 231-233 for your reference.

Technical Data:

Type	Rated Operating Distance Sn	Mounting	Output	Voltage Range U _B	Rated Current	Switching Frequency	Ambient Temperature	Connection	Fig
Fi40-W80-OD6L-Q	40mm	Flush	NO DC	10...30VDC	≤100mA	50Hz	-25...70°C	Terminal	Fig.1
Ni50-W80-OD6L-Q	50mm	Non-flush	NO DC	10...30VDC	≤100mA	30Hz	-25...70°C	Terminal	Fig.1
Fi40-W80-CD6L-Q	40mm	Flush	NC DC	10...30VDC	≤100mA	50Hz	-25...70°C	Terminal	Fig.1
Ni50-W80-CD6L-Q	50mm	Non-flush	NC DC	10...30VDC	≤100mA	30Hz	-25...70°C	Terminal	Fig.1
Fi40-W80-OD6L-Q12	40mm	Flush	NO DC	10...30VDC	≤100mA	50Hz	-25...70°C	M12 Connector	Fig.2
Ni50-W80-OD6L-Q12	50mm	Non-flush	NO DC	10...30VDC	≤100mA	30Hz	-25...70°C	M12 Connector	Fig.2
Fi40-W80-CD6L-Q12	40mm	Flush	NC DC	10...30VDC	≤100mA	50Hz	-25...70°C	M12 Connector	Fig.2
Ni50-W80-CD6L-Q12	50mm	Non-flush	NC DC	10...30VDC	≤100mA	30Hz	-25...70°C	M12 Connector	Fig.2
Fi40-W80-OD9L-Q	40mm	Flush	NO DC	10...60VDC	≤100mA	50Hz	-25...70°C	Terminal	Fig.1
Ni50-W80-OD9L-Q	50mm	Non-flush	NO DC	10...60VDC	≤100mA	30Hz	-25...70°C	Terminal	Fig.1
Fi40-W80-CD9L-Q	40mm	Flush	NC DC	10...60VDC	≤100mA	50Hz	-25...70°C	Terminal	Fig.1
Ni50-W80-CD9L-Q	50mm	Non-flush	NC DC	10...60VDC	≤100mA	30Hz	-25...70°C	Terminal	Fig.1
Fi40-W80-OD9L-Q12	40mm	Flush	NO DC	10...60VDC	≤100mA	50Hz	-25...70°C	M12 Connector	Fig.2
Ni50-W80-OD9L-Q12	50mm	Non-flush	NO DC	10...60VDC	≤100mA	30Hz	-25...70°C	M12 Connector	Fig.2
Fi40-W80-CD9L-Q12	40mm	Flush	NC DC	10...60VDC	≤100mA	50Hz	-25...70°C	M12 Connector	Fig.2
Ni50-W80-CD9L-Q12	50mm	Non-flush	NC DC	10...60VDC	≤100mA	30Hz	-25...70°C	M12 Connector	Fig.2

Dimensions:

Fig.1

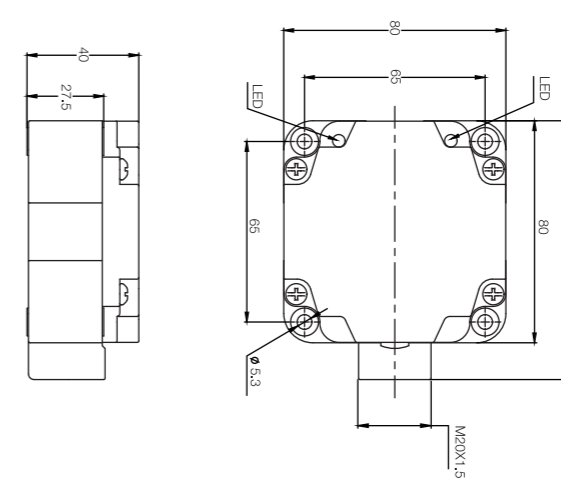


Technical Data:

Type	Rated Operating Distance Sn	Mounting	Output	Voltage Range U _B	Rated Current	Switching Frequency	Ambient Temperature	Connection	Fig
Fi40-W80-ON6L-Q	40mm	Flush	NO NPN	10...30VDC	≤200mA	50Hz	-25...70°C	Terminal	Fig.1
Fi40-W80-CN6L-Q	40mm	Flush	NC NPN	10...30VDC	≤200mA	50Hz	-25...70°C	Terminal	Fig.1
Fi40-W80-BN6L-Q	40mm	Flush	NO+NC NPN	10...30VDC	≤200mA	50Hz	-25...70°C	Terminal	Fig.1
Fi40-W80-OP6L-Q	40mm	Flush	NO PNP	10...30VDC	≤200mA	50Hz	-25...70°C	Terminal	Fig.1
Fi40-W80-CP6L-Q	40mm	Flush	NC PNP	10...30VDC	≤200mA	50Hz	-25...70°C	Terminal	Fig.1
Fi40-W80-BP6L-Q	40mm	Flush	NO+NC PNP	10...30VDC	≤200mA	50Hz	-25...70°C	Terminal	Fig.1
Ni50-W80-ON6L-Q	50mm	Non-flush	NO NPN	10...30VDC	≤200mA	30Hz	-25...70°C	Terminal	Fig.1
Ni50-W80-CN6L-Q	50mm	Non-flush	NC NPN	10...30VDC	≤200mA	30Hz	-25...70°C	Terminal	Fig.1
Ni50-W80-BN6L-Q	50mm	Non-flush	NO+NC NPN	10...30VDC	≤200mA	30Hz	-25...70°C	Terminal	Fig.1
Ni50-W80-OP6L-Q	50mm	Non-flush	NO PNP	10...30VDC	≤200mA	30Hz	-25...70°C	Terminal	Fig.1
Ni50-W80-CP6L-Q	50mm	Non-flush	NC PNP	10...30VDC	≤200mA	30Hz	-25...70°C	Terminal	Fig.1
Ni50-W80-BP6L-Q	50mm	Non-flush	NO+NC PNP	10...30VDC	≤200mA	30Hz	-25...70°C	Terminal	Fig.1

Dimensions:

Fig.1



<< Inductive Sensor

Plastic Rectangular-W80



Description:

Plastic housing, rectangular 80x80mm, AC/DC 2-wire output, IP67 protection class, power and action LED indicator.

See the wiring diagram on page 231-233 for your reference.

Plastic Rectangular-W80



Description:

Plastic housing, rectangular 80x80mm, long - sensing distance, DC 2-wire output, wide voltage range, IP67 protection class, power and action LED indicator.

See the wiring diagram on page 231-233 for your reference.

Technical Data:

Type	Rated Operating Distance Sn	Mounting	Output	Voltage Range U _B	Rated Current	Switching Frequency	Ambient Temperature	Connection	Fig
Fi40-W80-OA41L-Q	40mm	Flush	NO	DC/AC 20...250VAC/DC	DC≤100mA/AC≤200mA	20Hz	-25...70°C	Terminal	Fig.1
Fi40-W80-VA41L-Q	40mm	Flush	NC	DC/AC 20...250VAC/DC	DC≤100mA/AC≤200mA	20Hz	-25...70°C	Terminal	Fig.1
Ni50-W80-OA41L-Q	50mm	Non-flush	NO	DC/AC 20...250VAC/DC	DC≤100mA/AC≤200mA	20Hz	-25...70°C	Terminal	Fig.1
Ni50-W80-VA41L-Q	50mm	Non-flush	NC	DC/AC 20...250VAC/DC	DC≤100mA/AC≤200mA	20Hz	-25...70°C	Terminal	Fig.1
Fi40-W80-OA41L-Q12	40mm	Flush	NO/NC	DC/AC 20...250VAC/DC	DC≤100mA/AC≤200mA	20Hz	-25...70°C	M12 Connector	Fig.2
Fi40-W80-VA41L-Q12	40mm	Flush	NO/NC	DC/AC 20...250VAC/DC	DC≤100mA/AC≤200mA	20Hz	-25...70°C	M12 Connector	Fig.2
Ni50-W80-OA41L-Q12	50mm	Non-flush	NO/NC	DC/AC 20...250VAC/DC	DC≤100mA/AC≤200mA	20Hz	-25...70°C	M12 Connector	Fig.2
Ni50-W80-VA41L-Q12	50mm	Non-flush	NO/NC	DC/AC 20...250VAC/DC	DC≤100mA/AC≤200mA	20Hz	-25...70°C	M12 Connector	Fig.2

Technical Data:

Type	Rated Operating Distance Sn	Mounting	Output	Voltage Range U _B	Rated Current	Switching Frequency	Ambient Temperature	Connection	Fig
Fi50-W80-OD6L-Q	50mm	Flush	NO	DC 10...30VDC	≤100mA	50Hz	-25...70°C	Terminal	Fig.1
Ni70-W80-OD6L-Q	70mm	Non-flush	NO	DC 10...30VDC	≤100mA	30Hz	-25...70°C	Terminal	Fig.1
Fi50-W80-CD6L-Q	50mm	Flush	NC	DC 10...30VDC	≤100mA	50Hz	-25...70°C	Terminal	Fig.1
Ni70-W80-CD6L-Q	70mm	Non-flush	NC	DC 10...30VDC	≤100mA	30Hz	-25...70°C	Terminal	Fig.1
Fi50-W80-OD6L-Q12	50mm	Flush	NO	DC 10...30VDC	≤100mA	50Hz	-25...70°C	M12 Connector	Fig.2
Ni70-W80-OD6L-Q12	70mm	Non-flush	NO	DC 10...30VDC	≤100mA	30Hz	-25...70°C	M12 Connector	Fig.2
Fi50-W80-CD6L-Q12	50mm	Flush	NC	DC 10...30VDC	≤100mA	50Hz	-25...70°C	M12 Connector	Fig.2
Ni70-W80-CD6L-Q12	70mm	Non-flush	NC	DC 10...30VDC	≤100mA	30Hz	-25...70°C	M12 Connector	Fig.2
Fi50-W80-OD9L-Q	50mm	Flush	NO	DC 10...60VDC	≤100mA	50Hz	-25...70°C	Terminal	Fig.1
Ni70-W80-OD9L-Q	70mm	Non-flush	NO	DC 10...60VDC	≤100mA	30Hz	-25...70°C	Terminal	Fig.1
Fi50-W80-CD9L-Q	50mm	Flush	NC	DC 10...60VDC	≤100mA	50Hz	-25...70°C	Terminal	Fig.1
Ni70-W80-CD9L-Q	70mm	Non-flush	NC	DC 10...60VDC	≤100mA	30Hz	-25...70°C	Terminal	Fig.1
Fi50-W80-OD9L-Q12	50mm	Flush	NO	DC 10...60VDC	≤100mA	50Hz	-25...70°C	M12 Connector	Fig.2
Ni70-W80-OD9L-Q12	70mm	Non-flush	NO	DC 10...60VDC	≤100mA	30Hz	-25...70°C	M12 Connector	Fig.2
Fi50-W80-CD9L-Q12	50mm	Flush	NC	DC 10...60VDC	≤100mA	50Hz	-25...70°C	M12 Connector	Fig.2
Ni70-W80-CD9L-Q12	70mm	Non-flush	NC	DC 10...60VDC	≤100mA	30Hz	-25...70°C	M12 Connector	Fig.2

Dimensions:

Fig.1

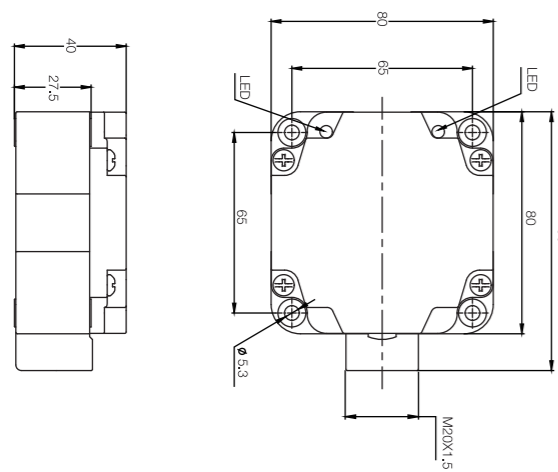


Fig.2

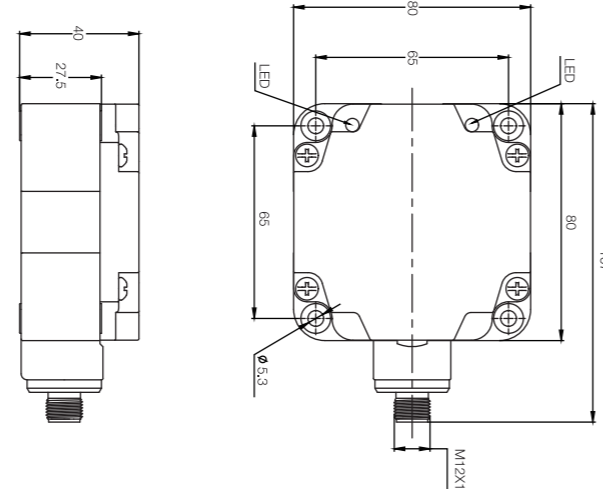


Fig.1

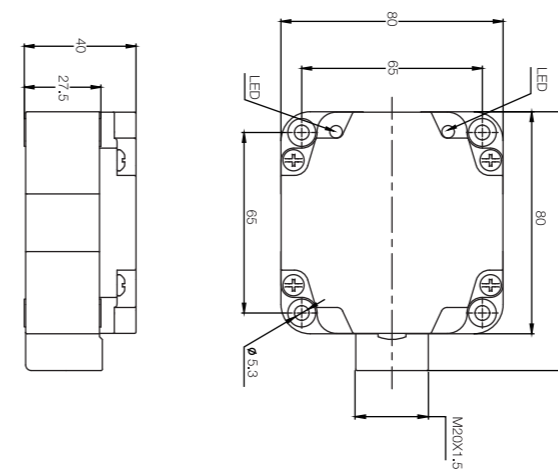
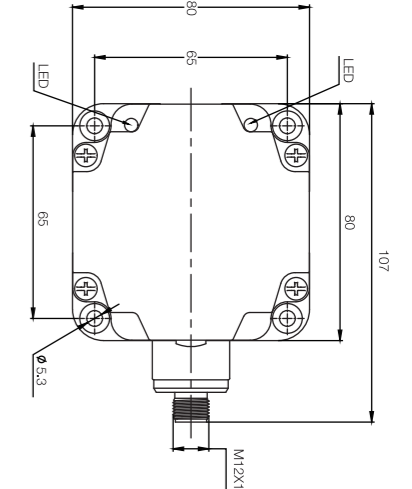


Fig.2



<< Inductive Sensor

Plastic Rectangular-W80



Description:

Plastic housing, rectangular 80x80mm, DC 3/4-wire output, IP67 protection class, power and action LED indicator.

See the wiring diagram on page 231-233 for your reference.

Plastic Rectangular-W80



Description:

Plastic housing, rectangular 80x80mm, long - sensing distance, AC/DC 2-wire output, IP67 protection class, power and action LED indicator.

See the wiring diagram on page 231-233 for your reference.

Technical Data:

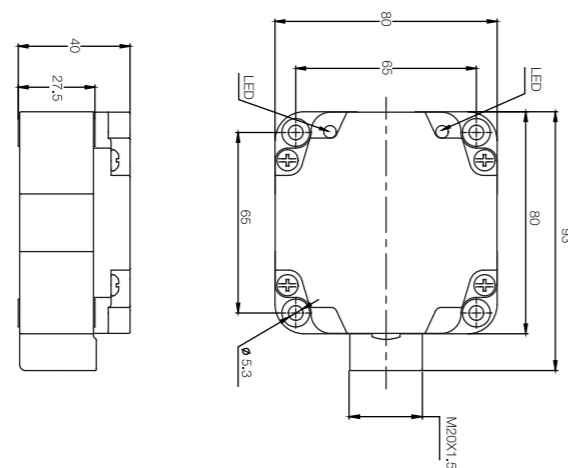
Type	Rated Operating Distance Sn	Mounting	Output	Voltage Range U _s	Rated Current	Switching Frequency	Ambient Temperature	Connection	Fig
Fi50-W80-ON6L-Q12	50mm	Flush	NO NPN	10...30VDC	≤200mA	50Hz	-25...70°C	M12 Connector	Fig.1
Fi50-W80-CN6L-Q12	50mm	Flush	NC NPN	10...30VDC	≤200mA	50Hz	-25...70°C	M12 Connector	Fig.1
Fi50-W80-BN6L-Q12	50mm	Flush	NO+NC NPN	10...30VDC	≤200mA	50Hz	-25...70°C	M12 Connector	Fig.1
Fi50-W80-OP6L-Q12	50mm	Flush	NO PNP	10...30VDC	≤200mA	50Hz	-25...70°C	M12 Connector	Fig.1
Fi50-W80-CP6L-Q12	50mm	Flush	NC PNP	10...30VDC	≤200mA	50Hz	-25...70°C	M12 Connector	Fig.1
Fi50-W80-BP6L-Q12	50mm	Flush	NO+NC PNP	10...30VDC	≤200mA	50Hz	-25...70°C	M12 Connector	Fig.1
Ni70-W80-ON6L-Q12	70mm	Non-flush	NO NPN	10...30VDC	≤200mA	30Hz	-25...70°C	M12 Connector	Fig.1
Ni70-W80-CN6L-Q12	70mm	Non-flush	NC NPN	10...30VDC	≤200mA	30Hz	-25...70°C	M12 Connector	Fig.1
Ni70-W80-BN6L-Q12	70mm	Non-flush	NO+NC NPN	10...30VDC	≤200mA	30Hz	-25...70°C	M12 Connector	Fig.1
Ni70-W80-OP6L-Q12	70mm	Non-flush	NO PNP	10...30VDC	≤200mA	30Hz	-25...70°C	M12 Connector	Fig.1
Ni70-W80-CP6L-Q12	70mm	Non-flush	NC PNP	10...30VDC	≤200mA	30Hz	-25...70°C	M12 Connector	Fig.1
Ni70-W80-BP6L-Q12	70mm	Non-flush	NO+NC PNP	10...30VDC	≤200mA	30Hz	-25...70°C	M12 Connector	Fig.1

Technical Data:

Type	Rated Operating Distance Sn	Mounting	Output	Voltage Range U _s	Rated Current	Switching Frequency	Ambient Temperature	Connection	Fig
Fi50-W80-OA41L-Q	50mm	Flush	NO DC/AC	20...250VAC/DC	DC≤100mA/AC≤200mA	20Hz	-25...70°C	Terminal	Fig.1
Fi50-W80-VA41L-Q	50mm	Flush	NC DC/AC	20...250VAC/DC	DC≤100mA/AC≤200mA	20Hz	-25...70°C	Terminal	Fig.1
Ni70-W80-OA41L-Q	70mm	Non-flush	NO DC/AC	20...250VAC/DC	DC≤100mA/AC≤200mA	20Hz	-25...70°C	Terminal	Fig.1
Ni70-W80-VA41L-Q	70mm	Non-flush	NC DC/AC	20...250VAC/DC	DC≤100mA/AC≤200mA	20Hz	-25...70°C	Terminal	Fig.1
Fi50-W80-OA41L-Q12	50mm	Flush	NO/NC DC/AC	20...250VAC/DC	DC≤100mA/AC≤200mA	20Hz	-25...70°C	M12 Connector	Fig.2
Fi50-W80-VA41L-Q12	50mm	Flush	NO/NC DC/AC	20...250VAC/DC	DC≤100mA/AC≤200mA	20Hz	-25...70°C	M12 Connector	Fig.2
Ni70-W80-OA41L-Q12	70mm	Non-flush	NO/NC DC/AC	20...250VAC/DC	DC≤100mA/AC≤200mA	20Hz	-25...70°C	M12 Connector	Fig.2
Ni70-W80-VA41L-Q12	70mm	Non-flush	NO/NC DC/AC	20...250VAC/DC	DC≤100mA/AC≤200mA	20Hz	-25...70°C	M12 Connector	Fig.2

Dimensions:

Fig.1



Dimensions:

Fig.1

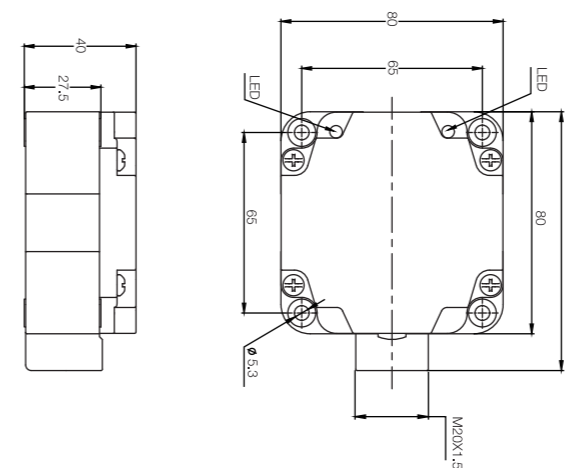
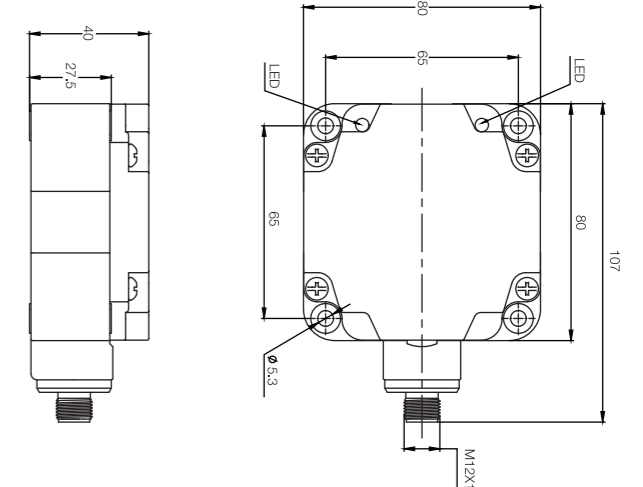


Fig.2



<< Inductive Sensor

All-Metal Inductive Sensor-M08



Description:

Integrated stainless steel housing, threaded barrel, DC 2-wire output, IP67 protection class, LED indicator, PUR cable.

See the wiring diagram on page 231-233 for your reference.

Technical Data:

Type	Rated Operating Distance Sn	Mounting	Output	Voltage Range U _B	Rated Current	Switching Frequency	Ambient Temperature	Connection	Fig
FI1-AM08-OD6L	1mm	Flush	NO DC	10...30VDC	≤100mA	200Hz	-25...70°C	2m cable	Fig.1
FI1-AM08-CD6L	1mm	Flush	NC DC	10...30VDC	≤100mA	200Hz	-25...70°C	2m cable	Fig.1
NI2-AM08-OD6L	2mm	Non-flush	NO DC	10...30VDC	≤100mA	200Hz	-25...70°C	2m cable	Fig.2
NI2-AM08-CD6L	2mm	Non-flush	NC DC	10...30VDC	≤100mA	200Hz	-25...70°C	2m cable	Fig.2

Dimensions:

Fig.1

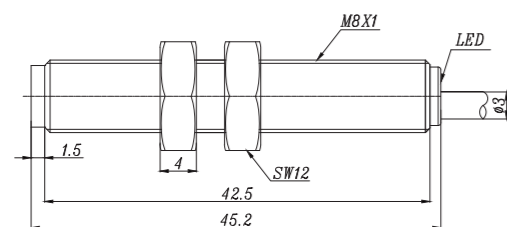
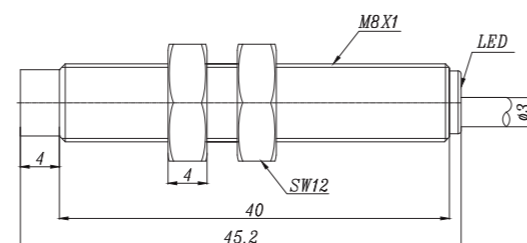


Fig.2



All-Metal Inductive Sensor-M08



Description:

Integrated stainless steel housing, threaded barrel, DC 3-wire output, IP67 protection class, LED indicator, PUR cable.

See the wiring diagram on page 231-233 for your reference.

Technical Data:

Type	Rated Operating Distance Sn	Mounting	Output	Voltage Range U _B	Rated Current	Switching Frequency	Ambient Temperature	Connection	Fig
FI1-AM08-ON6L	1mm	Flush	NO NPN	10...30VDC	≤200mA	200Hz	-25...70°C	2m cable	Fig.1
FI1-AM08-CN6L	1mm	Flush	NC NPN	10...30VDC	≤200mA	200Hz	-25...70°C	2m cable	Fig.1
FI1-AM08-OP6L	1mm	Flush	NO PNP	10...30VDC	≤200mA	200Hz	-25...70°C	2m cable	Fig.1
FI1-AM08-CP6L	1mm	Flush	NC PNP	10...30VDC	≤200mA	200Hz	-25...70°C	2m cable	Fig.1
NI2-AM08-ON6L	2mm	Non-flush	NO NPN	10...30VDC	≤200mA	200Hz	-25...70°C	2m cable	Fig.2
NI2-AM08-CN6L	2mm	Non-flush	NC NPN	10...30VDC	≤200mA	200Hz	-25...70°C	2m cable	Fig.2
NI2-AM08-OP6L	2mm	Non-flush	NO PNP	10...30VDC	≤200mA	200Hz	-25...70°C	2m cable	Fig.2
NI2-AM08-CP6L	2mm	Non-flush	NC PNP	10...30VDC	≤200mA	200Hz	-25...70°C	2m cable	Fig.2

Dimensions:

Fig.1

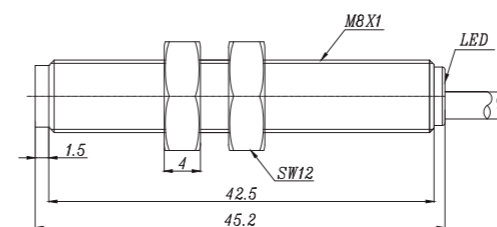
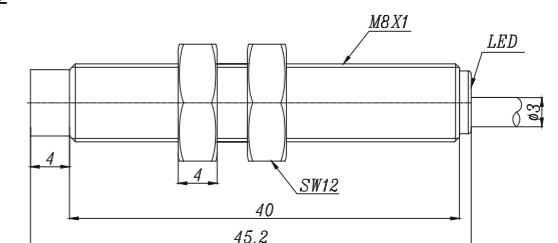


Fig.2





Description:

Integrated stainless steel housing, threaded barrel, DC 2-wire output, IP67 protection class, LED indicator, PUR cable.

See the wiring diagram on page 231-233 for your reference.



Description:

Integrated stainless steel housing, threaded barrel, DC 3-wire output, IP67 protection class, LED indicator, PUR cable.

See the wiring diagram on page 231-233 for your reference.

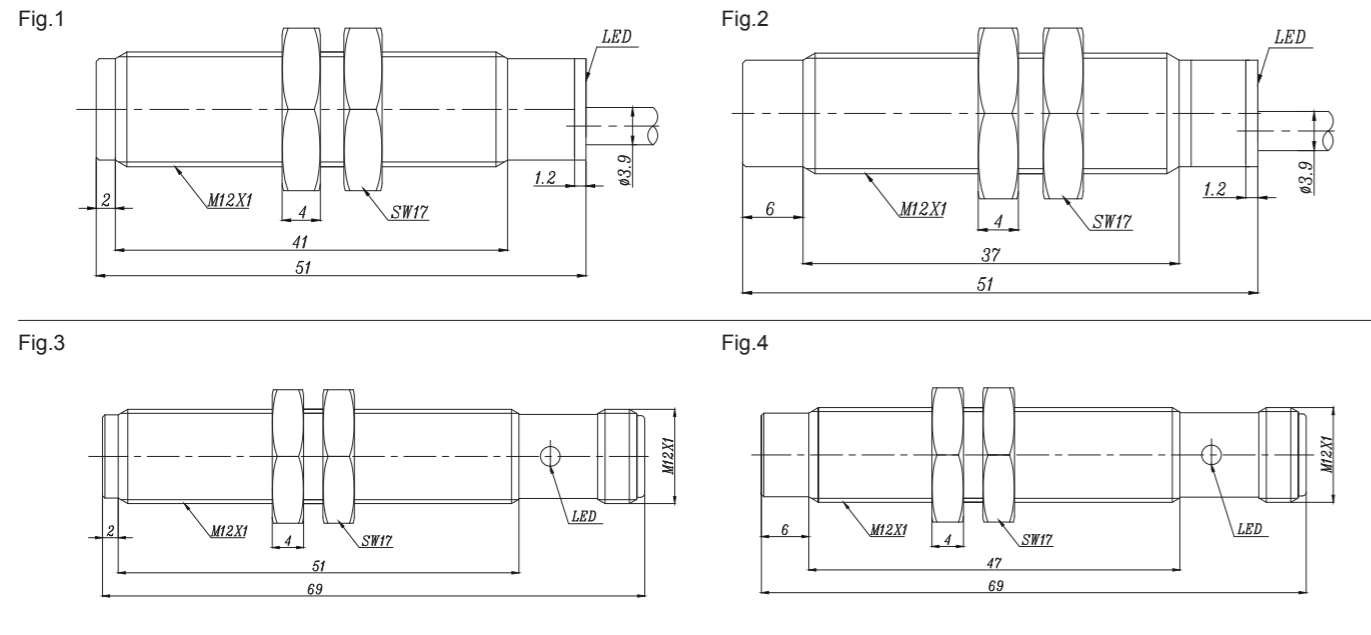
Technical Data:

Type	Rated Operating Distance Sn	Mounting	Output	Voltage Range U _B	Rated Current	Switching Frequency	Ambient Temperature	Connection	Fig
FI2-AM12-ON6L	2mm	Flush	NO NPN	10...30VDC	≤200mA	200Hz	-25...70°C	2m cable	Fig.1
FI2-AM12-CN6L	2mm	Flush	NC NPN	10...30VDC	≤200mA	200Hz	-25...70°C	2m cable	Fig.1
FI2-AM12-OP6L	2mm	Flush	NO PNP	10...30VDC	≤200mA	200Hz	-25...70°C	2m cable	Fig.1
FI2-AM12-CP6L	2mm	Flush	NC PNP	10...30VDC	≤200mA	200Hz	-25...70°C	2m cable	Fig.1
NI4-AM12-ON6L	4mm	Non-flush	NO NPN	10...30VDC	≤200mA	200Hz	-25...70°C	2m cable	Fig.2
NI4-AM12-CN6L	4mm	Non-flush	NC NPN	10...30VDC	≤200mA	200Hz	-25...70°C	2m cable	Fig.2
NI4-AM12-OP6L	4mm	Non-flush	NO PNP	10...30VDC	≤200mA	200Hz	-25...70°C	2m cable	Fig.2
NI4-AM12-CP6L	4mm	Non-flush	NC PNP	10...30VDC	≤200mA	200Hz	-25...70°C	2m cable	Fig.2
FI2-AM12-ON6L-Q12	2mm	Flush	NO NPN	10...30VDC	≤200mA	200Hz	-25...70°C	M12 Connector	Fig.3
FI2-AM12-CN6L-Q12	2mm	Flush	NC NPN	10...30VDC	≤200mA	200Hz	-25...70°C	M12 Connector	Fig.3
FI2-AM12-OP6L-Q12	2mm	Flush	NO PNP	10...30VDC	≤200mA	200Hz	-25...70°C	M12 Connector	Fig.3
FI2-AM12-CP6L-Q12	2mm	Flush	NC PNP	10...30VDC	≤200mA	200Hz	-25...70°C	M12 Connector	Fig.3
NI4-AM12-ON6L-Q12	4mm	Non-flush	NO NPN	10...30VDC	≤200mA	200Hz	-25...70°C	M12 Connector	Fig.4
NI4-AM12-CN6L-Q12	4mm	Non-flush	NC NPN	10...30VDC	≤200mA	200Hz	-25...70°C	M12 Connector	Fig.4
NI4-AM12-OP6L-Q12	4mm	Non-flush	NO PNP	10...30VDC	≤200mA	200Hz	-25...70°C	M12 Connector	Fig.4
NI4-AM12-CP6L-Q12	4mm	Non-flush	NC PNP	10...30VDC	≤200mA	200Hz	-25...70°C	M12 Connector	Fig.4

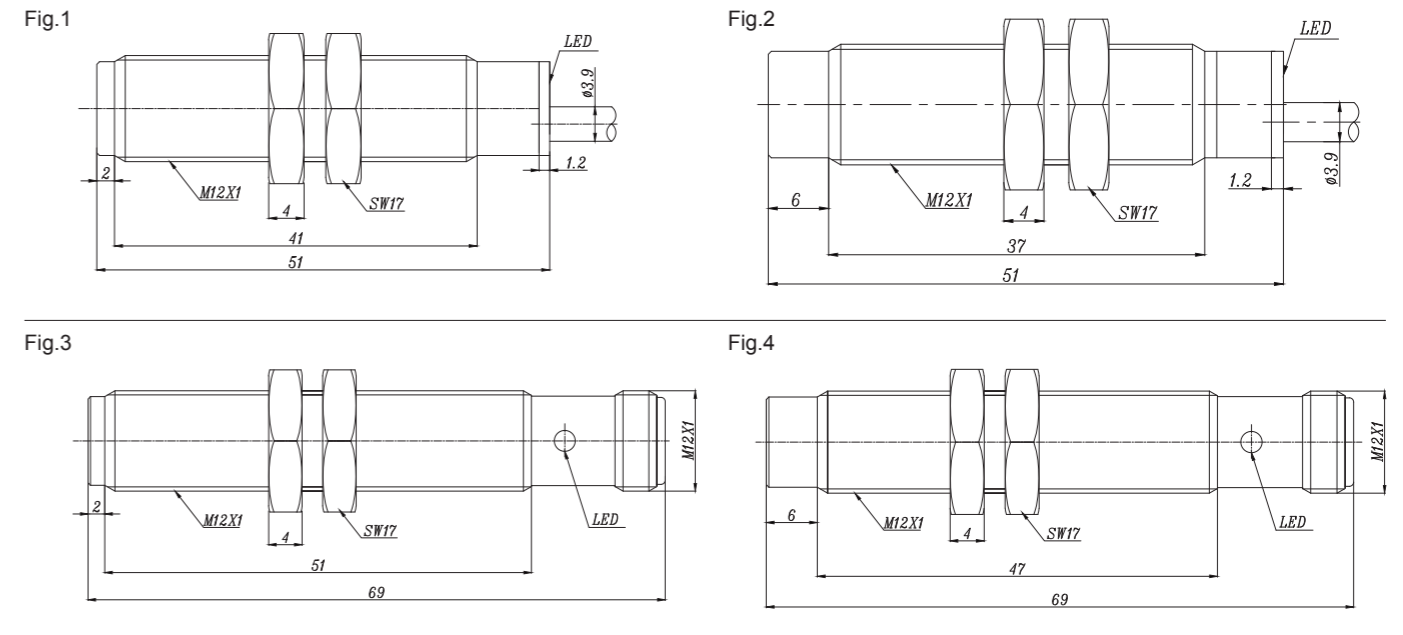
Technical Data:

Type	Rated Operating Distance Sn	Mounting	Output	Voltage Range U _B	Rated Current	Switching Frequency	Ambient Temperature	Connection	Fig
FI2-AM12-OD6L	2mm	Flush	NO DC	10...30VDC	≤100mA	200Hz	-25...70°C	2m cable	Fig.1
FI2-AM12-CD6L	2mm	Flush	NC DC	10...30VDC	≤100mA	200Hz	-25...70°C	2m cable	Fig.1
NI4-AM12-OD6L	4mm	Non-flush	NO DC	10...30VDC	≤100mA	200Hz	-25...70°C	2m cable	Fig.2
NI4-AM12-CD6L	4mm	Non-flush	NC DC	10...30VDC	≤100mA	200Hz	-25...70°C	2m cable	Fig.2
FI2-AM12-OD6L-Q12	2mm	Flush	NO DC	10...30VDC	≤100mA	200Hz	-25...70°C	M12 Connector	Fig.3
FI2-AM12-CD6L-Q12	2mm	Flush	NC DC	10...30VDC	≤100mA	200Hz	-25...70°C	M12 Connector	Fig.3
NI4-AM12-OD6L-Q12	4mm	Non-flush	NO DC	10...30VDC	≤100mA	200Hz	-25...70°C	M12 Connector	Fig.4
NI4-AM12-CD6L-Q12	4mm	Non-flush	NC DC	10...30VDC	≤100mA	200Hz	-25...70°C	M12 Connector	Fig.4

Dimensions:



Dimensions:



<< Inductive Sensor

All-Metal Inductive Sensor-M12



Description:

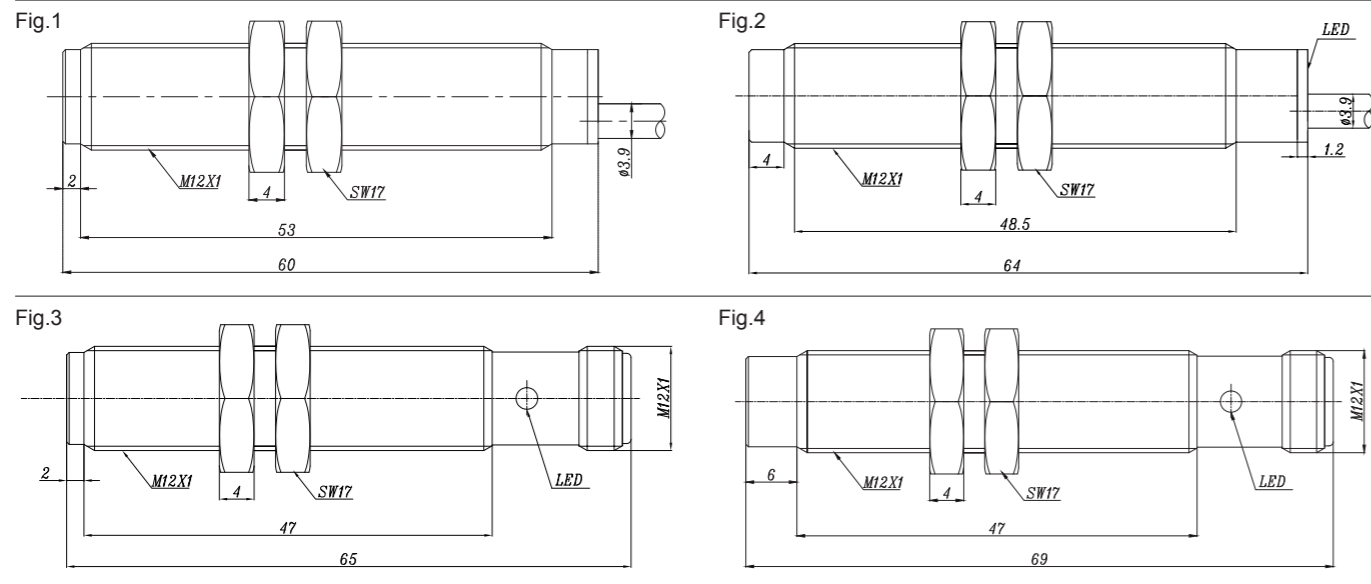
Integrated stainless steel housing, threaded barrel, AC 2-wire output, IP67 protection class, LED indicator, PUR cable.

See the wiring diagram on page 231-233 for your reference.

Technical Data:

Type	Rated Operating Distance S_n	Mounting	Output	Voltage Range U_b	Rated Current	Switching Frequency	Ambient Temperature	Connection	Fig
FI2-AM12-OSA3L	2mm	Flush	NO AC	20...250VAC	≤200mA	40Hz	-25...70°C	2m cable	Fig.1
FI2-AM12-CSA3L	2mm	Flush	NC AC	20...250VAC	≤200mA	40Hz	-25...70°C	2m cable	Fig.1
NI4-AM12-OSA3L	4mm	Non-flush	NO AC	20...250VAC	≤200mA	40Hz	-25...70°C	2m cable	Fig.2
NI4-AM12-CSA3L	4mm	Non-flush	NC AC	20...250VAC	≤200mA	40Hz	-25...70°C	2m cable	Fig.2
FI2-AM12-OSA3L-Q12	2mm	Flush	NO AC	20...250VAC	≤200mA	40Hz	-25...70°C	M12 Connector	Fig.3
FI2-AM12-CSA3L-Q12	2mm	Flush	NC AC	20...250VAC	≤200mA	40Hz	-25...70°C	M12 Connector	Fig.3
NI4-AM12-OSA3L-Q12	4mm	Non-flush	NO AC	20...250VAC	≤200mA	40Hz	-25...70°C	M12 Connector	Fig.4
NI4-AM12-CSA3L-Q12	4mm	Non-flush	NC AC	20...250VAC	≤200mA	40Hz	-25...70°C	M12 Connector	Fig.4

Dimensions:



All-Metal Inductive Sensor-M18



Description:

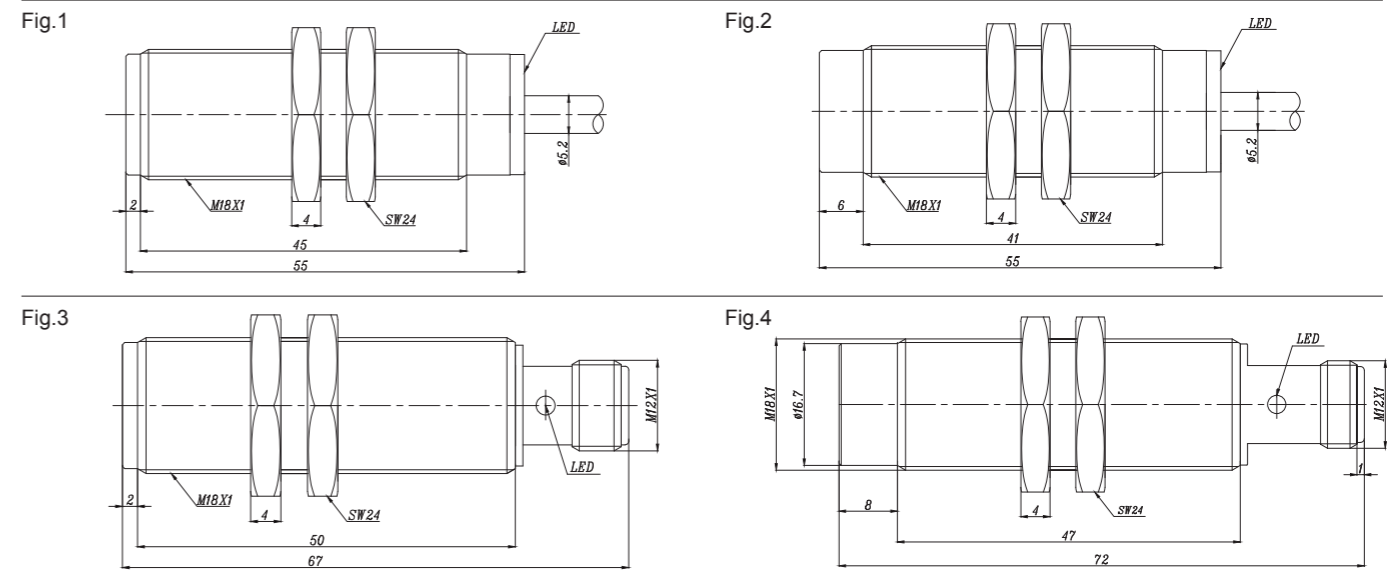
Integrated stainless steel housing, threaded barrel, DC 2-wire output, IP67 protection class, LED indicator, PUR cable.

See the wiring diagram on page 231-233 for your reference.

Technical Data:

Type	Rated Operating Distance S_n	Mounting	Output	Voltage Range U_b	Rated Current	Switching Frequency	Ambient Temperature	Connection	Fig
FI5-AM18-OD6L	5mm	Flush	NO DC	10...30VDC	≤100mA	800Hz	-25...70°C	2m cable	Fig.1
FI5-AM18-CD6L	5mm	Flush	NC DC	10...30VDC	≤100mA	800Hz	-25...70°C	2m cable	Fig.1
NI8-AM18-OD6L	8mm	Non-flush	NO DC	10...30VDC	≤100mA	500Hz	-25...70°C	2m cable	Fig.2
NI8-AM18-CD6L	8mm	Non-flush	NC DC	10...30VDC	≤100mA	500Hz	-25...70°C	2m cable	Fig.2
FI5-AM18-OD6L-Q12	5mm	Flush	NO DC	10...30VDC	≤100mA	800Hz	-25...70°C	M12 Connector	Fig.3
FI5-AM18-CD6L-Q12	5mm	Flush	NC DC	10...30VDC	≤100mA	800Hz	-25...70°C	M12 Connector	Fig.3
NI8-AM18-OD6L-Q12	8mm	Non-flush	NO DC	10...30VDC	≤100mA	500Hz	-25...70°C	M12 Connector	Fig.4
NI8-AM18-CD6L-Q12	8mm	Non-flush	NC DC	10...30VDC	≤100mA	500Hz	-25...70°C	M12 Connector	Fig.4

Dimensions:



All-Metal Inductive Sensor-M18



Description:

Integrated stainless steel housing, threaded barrel, DC 3-wire output, IP67 protection class, LED indicator, PUR cable.

See the wiring diagram on page 231-233 for your reference.

All-Metal Inductive Sensor-M18



Description:

Integrated stainless steel housing, threaded barrel, AC 2-wire output, IP67 protection class, LED indicator, PUR cable.

See the wiring diagram on page 231-233 for your reference.

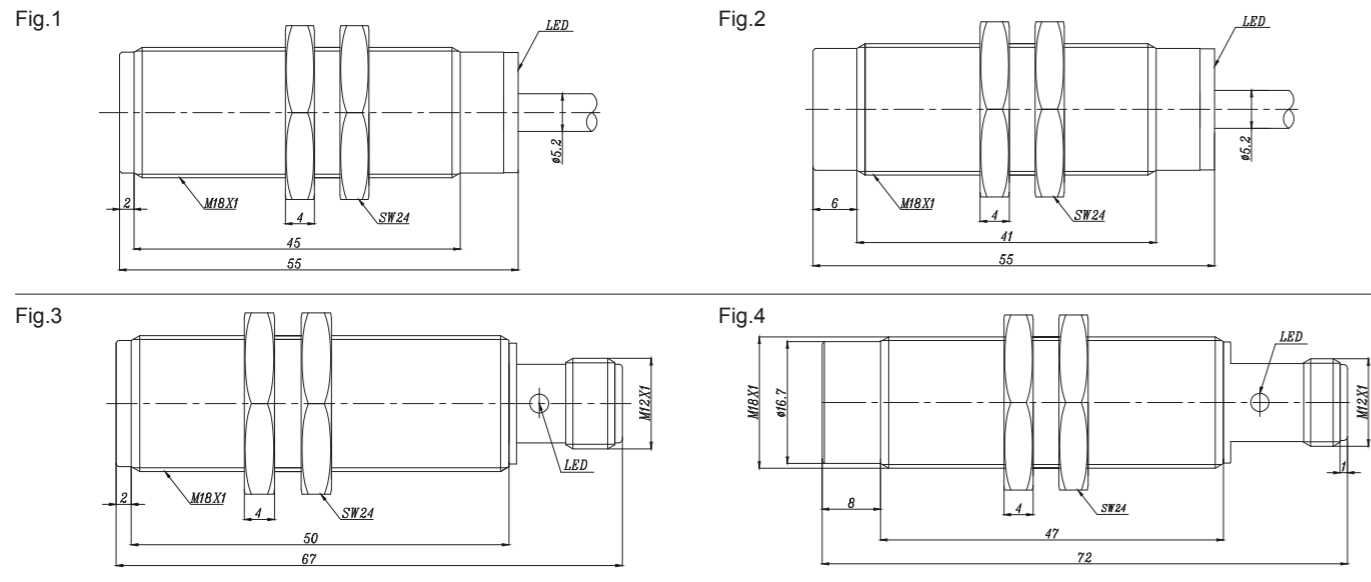
Technical Data:

Type	Rated Operating Distance Sn	Mounting	Output	Voltage Range U _B	Rated Current	Switching Frequency	Ambient Temperature	Connection	Fig
FI5-AM18-ON6L	5mm	Flush	NO NPN	10...30VDC	≤200mA	800Hz	-25...70°C	2m cable	Fig.1
FI5-AM18-CN6L	5mm	Flush	NC NPN	10...30VDC	≤200mA	800Hz	-25...70°C	2m cable	Fig.1
FI5-AM18-OP6L	5mm	Flush	NO PNP	10...30VDC	≤200mA	800Hz	-25...70°C	2m cable	Fig.1
FI5-AM18-CP6L	5mm	Flush	NC PNP	10...30VDC	≤200mA	800Hz	-25...70°C	2m cable	Fig.1
NI8-AM18-ON6L	8mm	Flush	NO NPN	10...30VDC	≤200mA	500Hz	-25...70°C	2m cable	Fig.2
NI8-AM18-CN6L	8mm	Flush	NC NPN	10...30VDC	≤200mA	500Hz	-25...70°C	2m cable	Fig.2
NI8-AM18-OP6L	8mm	Flush	NO PNP	10...30VDC	≤200mA	500Hz	-25...70°C	2m cable	Fig.2
NI8-AM18-CP6L	8mm	Flush	NC PNP	10...30VDC	≤200mA	500Hz	-25...70°C	2m cable	Fig.2
FI5-AM18-ON6L-Q12	5mm	Non-flush	NO NPN	10...30VDC	≤200mA	800Hz	-25...70°C	M12 Connector	Fig.3
FI5-AM18-CN6L-Q12	5mm	Non-flush	NC NPN	10...30VDC	≤200mA	800Hz	-25...70°C	M12 Connector	Fig.3
FI5-AM18-OP6L-Q12	5mm	Non-flush	NO PNP	10...30VDC	≤200mA	800Hz	-25...70°C	M12 Connector	Fig.3
FI5-AM18-CP6L-Q12	5mm	Non-flush	NC PNP	10...30VDC	≤200mA	800Hz	-25...70°C	M12 Connector	Fig.3
NI8-AM18-ON6L-Q12	8mm	Non-flush	NO NPN	10...30VDC	≤200mA	500Hz	-25...70°C	M12 Connector	Fig.4
NI8-AM18-CN6L-Q12	8mm	Non-flush	NC NPN	10...30VDC	≤200mA	500Hz	-25...70°C	M12 Connector	Fig.4
NI8-AM18-OP6L-Q12	8mm	Non-flush	NO PNP	10...30VDC	≤200mA	500Hz	-25...70°C	M12 Connector	Fig.4
NI8-AM18-CP6L-Q12	8mm	Non-flush	NC PNP	10...30VDC	≤200mA	500Hz	-25...70°C	M12 Connector	Fig.4

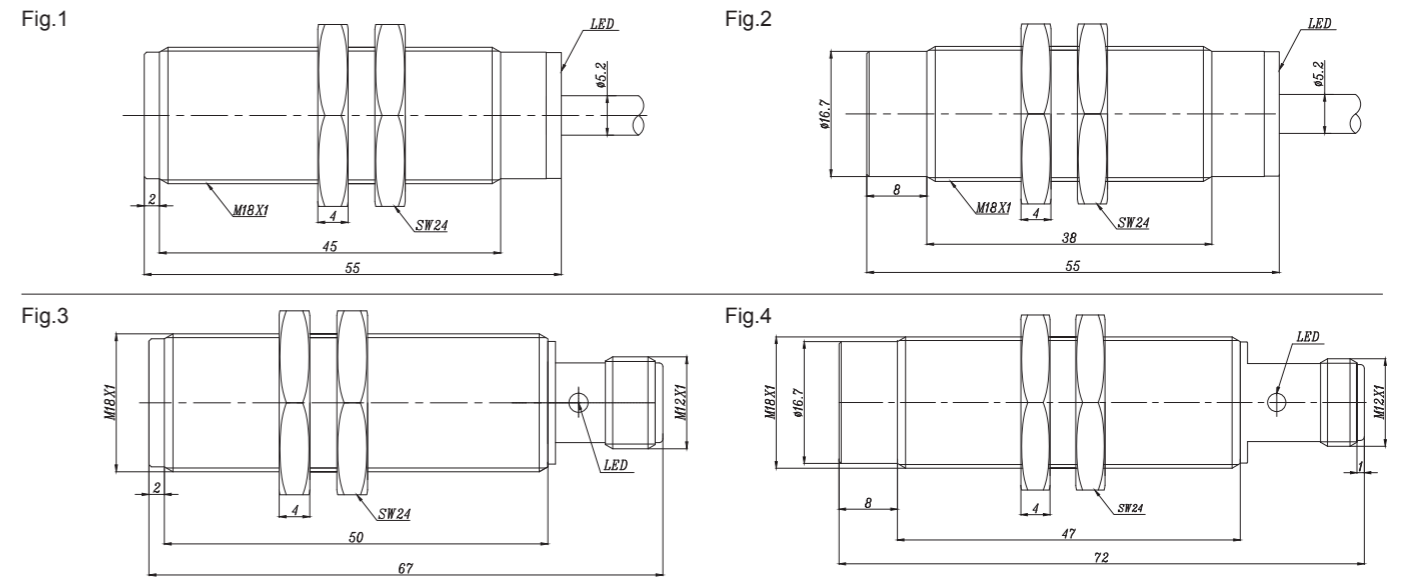
Technical Data:

Type	Rated Operating Distance Sn	Mounting	Output	Voltage Range U _B	Rated Current	Switching Frequency	Ambient Temperature	Connection	Fig
FI5-AM18-OSA3L	5mm	Flush	NO AC	20...250VAC	≤200mA	40Hz	-25...70°C	2m cable	Fig.1
FI5-AM18-CSA3L	5mm	Flush	NC AC	20...250VAC	≤200mA	40Hz	-25...70°C	2m cable	Fig.1
NI8-AM18-OSA3L	8mm	Non-flush	NO AC	20...250VAC	≤200mA	40Hz	-25...70°C	2m cable	Fig.2
NI8-AM18-CSA3L	8mm	Non-flush	NC AC	20...250VAC	≤200mA	40Hz	-25...70°C	2m cable	Fig.2
FI5-AM18-OSA3L-Q12	5mm	Flush	NO AC	20...250VAC	≤200mA	40Hz	-25...70°C	M12 Connector	Fig.3
FI5-AM18-CSA3L-Q12	5mm	Flush	NC AC	20...250VAC	≤200mA	40Hz	-25...70°C	M12 Connector	Fig.3
NI8-AM18-OSA3L-Q12	8mm	Non-flush	NO AC	20...250VAC	≤200mA	40Hz	-25...70°C	M12 Connector	Fig.4
NI8-AM18-CSA3L-Q12	8mm	Non-flush	NC AC	20...250VAC	≤200mA	40Hz	-25...70°C	M12 Connector	Fig.4

Dimensions:



Dimensions:



<< Inductive Sensor

All-Metal Inductive Sensor-M30



Description:

Integrated stainless steel housing, threaded barrel, DC 2-wire output, IP67 protection class, LED indicator, PUR cable.

See the wiring diagram on page 231-233 for your reference.

All-Metal Inductive Sensor-M30



Description:

Integrated stainless steel housing, threaded barrel, DC 3-wire output, IP67 protection class, LED indicator, PUR cable.

See the wiring diagram on page 231-233 for your reference.

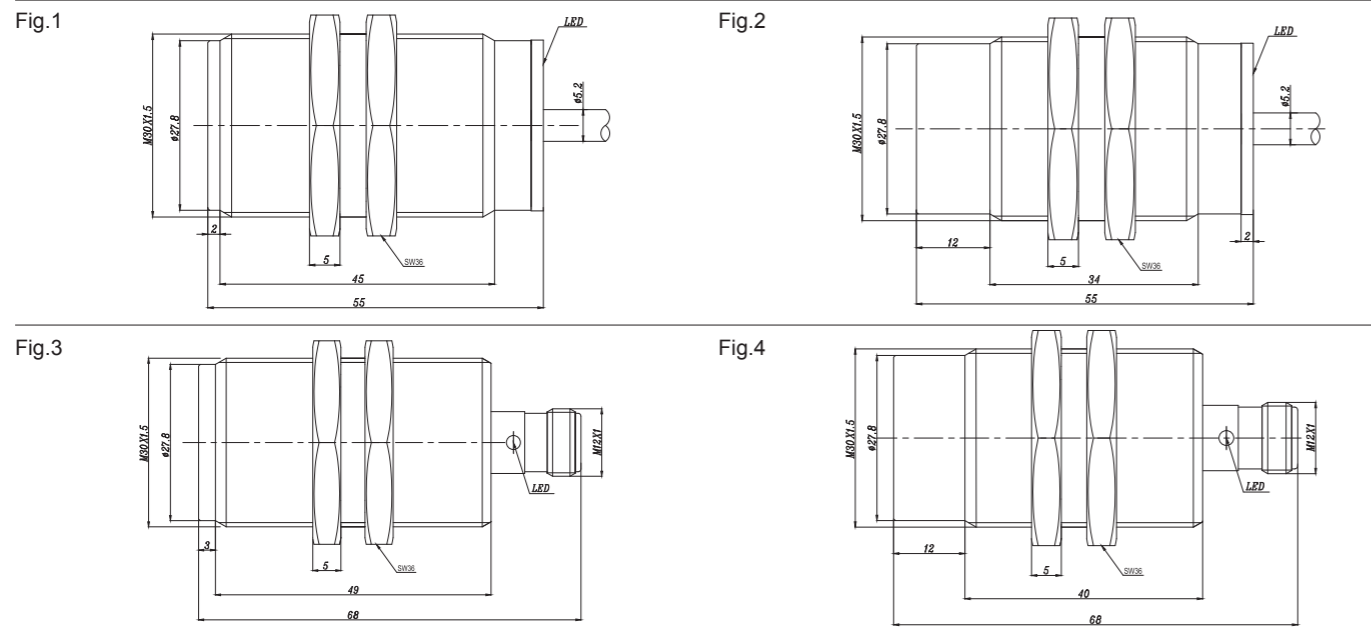
Technical Data:

Type	Rated Operating Distance Sn	Mounting	Output	Voltage Range U _B	Rated Current	Switching Frequency	Ambient Temperature	Connection	Fig
FI10-AM30-OD6L	10mm	Flush	NO DC	10...30VDC	≤100mA	400Hz	-25...70°C	2m cable	Fig.1
FI10-AM30-CD6L	10mm	Flush	NC DC	10...30VDC	≤100mA	400Hz	-25...70°C	2m cable	Fig.1
NI15-AM30-OD6L	15mm	Non-flush	NO DC	10...30VDC	≤100mA	200Hz	-25...70°C	2m cable	Fig.2
NI15-AM30-CD6L	15mm	Non-flush	NC DC	10...30VDC	≤100mA	200Hz	-25...70°C	2m cable	Fig.2
FI10-AM30-OD6L-Q12	10mm	Flush	NO DC	10...30VDC	≤100mA	400Hz	-25...70°C	M12 Connector	Fig.3
FI10-AM30-CD6L-Q12	10mm	Flush	NC DC	10...30VDC	≤100mA	400Hz	-25...70°C	M12 Connector	Fig.3
NI15-AM30-OD6L-Q12	15mm	Non-flush	NO DC	10...30VDC	≤100mA	200Hz	-25...70°C	M12 Connector	Fig.4
NI15-AM30-CD6L-Q12	15mm	Non-flush	NC DC	10...30VDC	≤100mA	200Hz	-25...70°C	M12 Connector	Fig.4

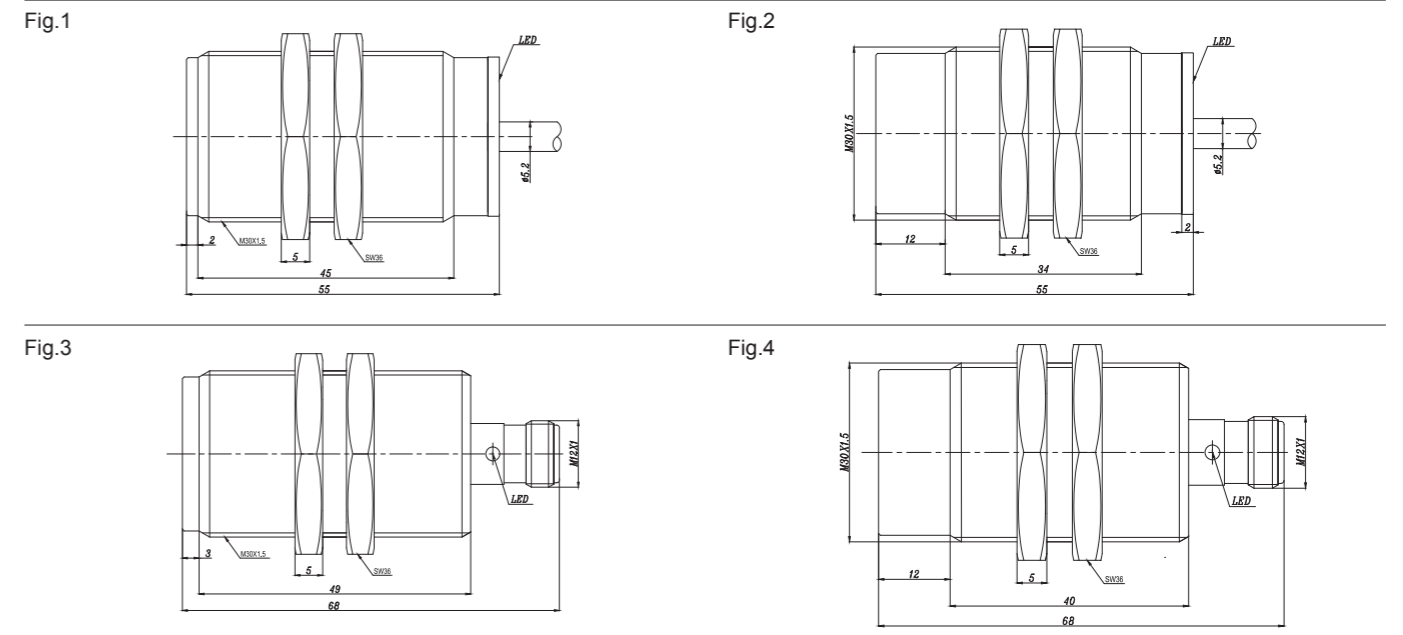
Technical Data:

Type	Rated Operating Distance Sn	Mounting	Output	Voltage Range U _B	Rated Current	Switching Frequency	Ambient Temperature	Connection	Fig
FI10-AM30-ON6L	10mm	Flush	NO NPN	10...30VDC	≤200mA	400Hz	-25...70°C	2m cable	Fig.1
FI10-AM30-CN6L	10mm	Flush	NC NPN	10...30VDC	≤200mA	400Hz	-25...70°C	2m cable	Fig.1
FI10-AM30-OP6L	10mm	Flush	NO PNP	10...30VDC	≤200mA	400Hz	-25...70°C	2m cable	Fig.1
FI10-AM30-CP6L	10mm	Flush	NC PNP	10...30VDC	≤200mA	400Hz	-25...70°C	2m cable	Fig.1
NI15-AM30-ON6L	15mm	Flush	NO NPN	10...30VDC	≤200mA	200Hz	-25...70°C	2m cable	Fig.2
NI15-AM30-CN6L	15mm	Flush	NC NPN	10...30VDC	≤200mA	200Hz	-25...70°C	2m cable	Fig.2
NI15-AM30-OP6L	15mm	Flush	NO PNP	10...30VDC	≤200mA	200Hz	-25...70°C	2m cable	Fig.2
NI15-AM30-CP6L	15mm	Flush	NC PNP	10...30VDC	≤200mA	200Hz	-25...70°C	2m cable	Fig.2
FI10-AM30-ON6L-Q12	10mm	Non-flush	NO NPN	10...30VDC	≤200mA	400Hz	-25...70°C	M12 Connector	Fig.3
FI10-AM30-CN6L-Q12	10mm	Non-flush	NC NPN	10...30VDC	≤200mA	400Hz	-25...70°C	M12 Connector	Fig.3
FI10-AM30-OP6L-Q12	10mm	Non-flush	NO PNP	10...30VDC	≤200mA	400Hz	-25...70°C	M12 Connector	Fig.3
FI10-AM30-CP6L-Q12	10mm	Non-flush	NC PNP	10...30VDC	≤200mA	400Hz	-25...70°C	M12 Connector	Fig.3
NI15-AM30-ON6L-Q12	15mm	Non-flush	NO NPN	10...30VDC	≤200mA	200Hz	-25...70°C	M12 Connector	Fig.4
NI15-AM30-CN6L-Q12	15mm	Non-flush	NC NPN	10...30VDC	≤200mA	200Hz	-25...70°C	M12 Connector	Fig.4
NI15-AM30-OP6L-Q12	15mm	Non-flush	NO PNP	10...30VDC	≤200mA	200Hz	-25...70°C	M12 Connector	Fig.4
NI15-AM30-CP6L-Q12	15mm	Non-flush	NC PNP	10...30VDC	≤200mA	200Hz	-25...70°C	M12 Connector	Fig.4

Dimensions:



Dimensions:



<< Inductive Sensor

All-Metal Inductive Sensor-M30



Description:

Integrated stainless steel housing, threaded barrel, AC 2-wire output, IP67 protection class, LED indicator, PUR cable.

See the wiring diagram on page 231-233 for your reference.

Technical Data:

Type	Rated Operating Distance Sn	Mounting	Output	Voltage Range U _B	Rated Current	Switching Frequency	Ambient Temperature	Connection	Fig
FI10-AM30-OSA3L	10mm	Flush	NO AC	20...250VAC	≤200mA	40Hz	-25...70°C	2m cable	Fig.1
FI10-AM30-CSA3L	10mm	Flush	NC AC	20...250VAC	≤200mA	40Hz	-25...70°C	2m cable	Fig.1
NI15-AM30-OSA3L	15mm	Non-flush	NO AC	20...250VAC	≤200mA	40Hz	-25...70°C	2m cable	Fig.2
NI15-AM30-CSA3L	15mm	Non-flush	NC AC	20...250VAC	≤200mA	40Hz	-25...70°C	2m cable	Fig.2
FI10-AM30-OSA3L-Q12	10mm	Flush	NO AC	20...250VAC	≤200mA	40Hz	-25...70°C	M12 Connector	Fig.3
FI10-AM30-CSA3L-Q12	10mm	Flush	NC AC	20...250VAC	≤200mA	40Hz	-25...70°C	M12 Connector	Fig.3
NI15-AM30-OSA3L-Q12	15mm	Non-flush	NO AC	20...250VAC	≤200mA	40Hz	-25...70°C	M12 Connector	Fig.4
NI15-AM30-CSA3L-Q12	15mm	Non-flush	NC AC	20...250VAC	≤200mA	40Hz	-25...70°C	M12 Connector	Fig.4

Dimensions:

Fig.1

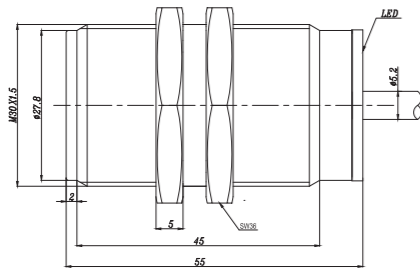


Fig.2

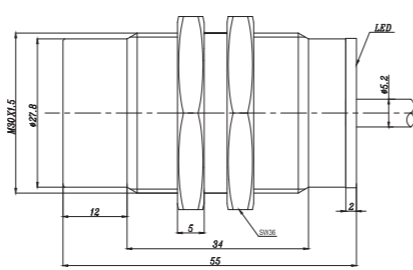


Fig.3

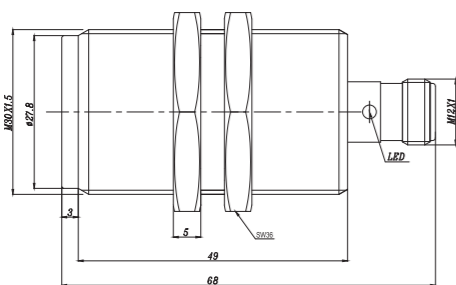
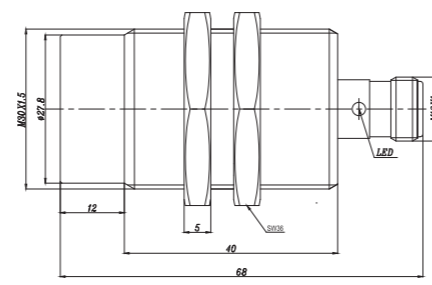


Fig.4



<< Inductive Sensor

High Pressure Resistant



Description:

Stainless steel housing, threaded barrel, DC 3-wire output, IP68 protection class, pressure range max. 500 bar, LED indicator.

See the wiring diagram on page 231-233 for your reference.

High Pressure Resistant



Description:

Stainless steel housing, threaded barrel, DC 3-wire output, IP68 protection class, pressure range max. 500 bar, LED indicator.

See the wiring diagram on page 231-233 for your reference.

Technical Data:

Type	Rated Operating Distance Sn	Mounting	Output	Voltage Range U _B	Rated Current	Switching Frequency	Ambient Temperature	Connection	Fig
Fi1.5D-KM12-OP6	1.5mm	Flush	NO PNP	10...30VDC	≤200mA	1000Hz	-25...70°C	2m cable	Fig.1
Fi1.5D-KM12-ON6	1.5mm	Flush	NO NPN	10...30VDC	≤200mA	1000Hz	-25...70°C	2m cable	Fig.1
Fi1.5D-KM12-CP6	1.5mm	Flush	NC PNP	10...30VDC	≤200mA	1000Hz	-25...70°C	2m cable	Fig.1
Fi1.5D-KM12-CN6	1.5mm	Flush	NC NPN	10...30VDC	≤200mA	1000Hz	-25...70°C	2m cable	Fig.1
Fi1.5D-KM12-OP6-Q12	1.5mm	Flush	NO PNP	10...30VDC	≤200mA	1000Hz	-25...70°C	M12 Connector	Fig.2
Fi1.5D-KM12-ON6-Q12	1.5mm	Flush	NO NPN	10...30VDC	≤200mA	1000Hz	-25...70°C	M12 Connector	Fig.2
Fi1.5D-KM12-CP6-Q12	1.5mm	Flush	NC PNP	10...30VDC	≤200mA	1000Hz	-25...70°C	M12 Connector	Fig.2
Fi1.5D-KM12-CN6-Q12	1.5mm	Flush	NC NPN	10...30VDC	≤200mA	1000Hz	-25...70°C	M12 Connector	Fig.2

Technical Data:

Type	Rated Operating Distance Sn	Mounting	Output	Voltage Range U _B	Rated Current	Switching Frequency	Ambient Temperature	Connection	Fig
Fi3D-KM18-OP6	3mm	Flush	NO PNP	10...30VDC	≤200mA	800Hz	-25...70°C	2m cable	Fig.1
Fi3D-KM18-ON6	3mm	Flush	NO NPN	10...30VDC	≤200mA	800Hz	-25...70°C	2m cable	Fig.1
Fi3D-KM18-CP6	3mm	Flush	NC PNP	10...30VDC	≤200mA	800Hz	-25...70°C	2m cable	Fig.1
Fi3D-KM18-CN6	3mm	Flush	NC NPN	10...30VDC	≤200mA	800Hz	-25...70°C	2m cable	Fig.1
Fi3D-KM18-OP6-Q12	3mm	Flush	NO PNP	10...30VDC	≤200mA	800Hz	-25...70°C	M12 Connector	Fig.2
Fi3D-KM18-ON6-Q12	3mm	Flush	NO NPN	10...30VDC	≤200mA	800Hz	-25...70°C	M12 Connector	Fig.2
Fi3D-KM18-CP6-Q12	3mm	Flush	NC PNP	10...30VDC	≤200mA	800Hz	-25...70°C	M12 Connector	Fig.2
Fi3D-KM18-CN6-Q12	3mm	Flush	NC NPN	10...30VDC	≤200mA	800Hz	-25...70°C	M12 Connector	Fig.2

Dimensions:

Fig.1

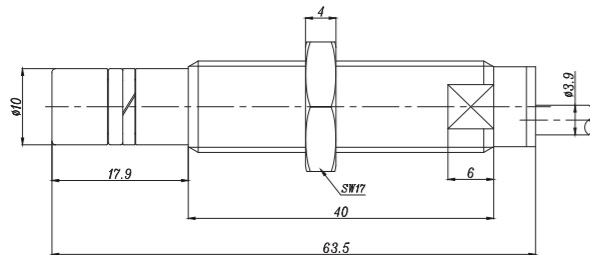
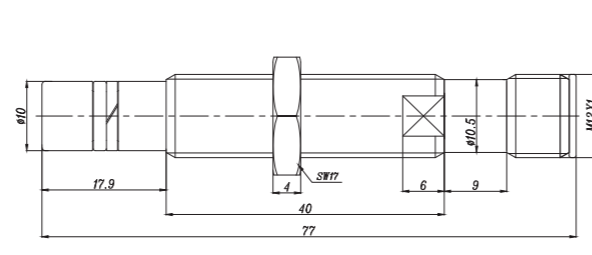


Fig.2



Dimensions:

Fig.1

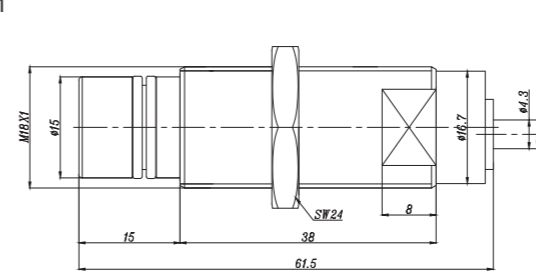
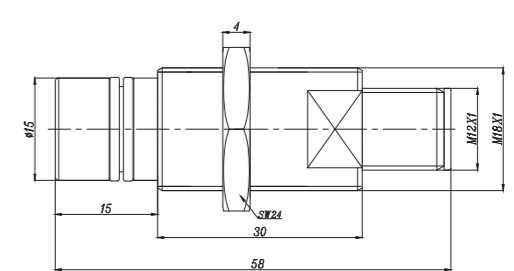


Fig.2



Inductive Sensor

High Pressure Resistant



Description:

Steel housing, threaded barrel, DC 3-wire output, IP68 protection class, pressure range max. 500 bar, LED indicator.

See the wiring diagram on page 231-233 for your reference.

Technical Data:

Type	Rated Operating Distance Sn	Mounting	Output	Voltage Range U _B	Rated Current	Switching Frequency	Ambient Temperature	Connection	Fig
Fi2D-KM14H1-OP6-Q12	2mm	Flush	NO PNP	10...30VDC	≤200mA	1000Hz	-25...70°C	M12 Connector	Fig.1
Fi2D-KM14H1-ON6-Q12	2mm	Flush	NO NPN	10...30VDC	≤200mA	1000Hz	-25...70°C	M12 Connector	Fig.1
Fi2D-KM14H1-CP6-Q12	2mm	Flush	NC PNP	10...30VDC	≤200mA	1000Hz	-25...70°C	M12 Connector	Fig.1
Fi2D-KM14H1-CN6-Q12	2mm	Flush	NC NPN	10...30VDC	≤200mA	1000Hz	-25...70°C	M12 Connector	Fig.1
Fi2D-KM14H2-OP6-Q12	2mm	Flush	NO PNP	10...30VDC	≤200mA	1000Hz	-25...70°C	M12 Connector	Fig.2
Fi2D-KM14H2-ON6-Q12	2mm	Flush	NO NPN	10...30VDC	≤200mA	1000Hz	-25...70°C	M12 Connector	Fig.2
Fi2D-KM14H2-CP6-Q12	2mm	Flush	NC PNP	10...30VDC	≤200mA	1000Hz	-25...70°C	M12 Connector	Fig.2
Fi2D-KM14H2-CN6-Q12	2mm	Flush	NC NPN	10...30VDC	≤200mA	1000Hz	-25...70°C	M12 Connector	Fig.2

Dimensions:

Fig.1

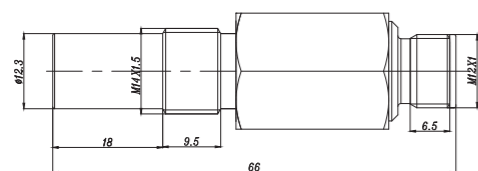
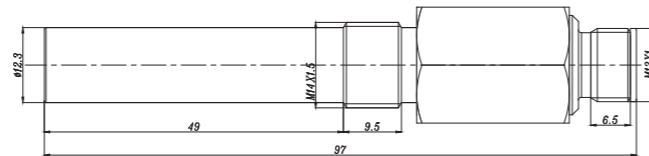


Fig.2



High Pressure Resistant



Description:

Integrated stainless steel housing, threaded barrel, DC 3-wire output, IP68 protection class, pressure range max. 500 bar, LED indicator.

See the wiring diagram on page 231-233 for your reference.

Technical Data:

Type	Rated Operating Distance Sn	Mounting	Output	Voltage Range U _B	Rated Current	Switching Frequency	Ambient Temperature	Connection	Fig
Fi2D-AM14H1-OP6-Q12	2mm	Flush	NO PNP	10...30VDC	≤200mA	1000Hz	-25...70°C	M12 Connector	Fig.1
Fi2D-AM14H1-ON6-Q12	2mm	Flush	NO NPN	10...30VDC	≤200mA	1000Hz	-25...70°C	M12 Connector	Fig.1
Fi2D-AM14H1-CP6-Q12	2mm	Flush	NC PNP	10...30VDC	≤200mA	1000Hz	-25...70°C	M12 Connector	Fig.1
Fi2D-AM14H1-CN6-Q12	2mm	Flush	NC NPN	10...30VDC	≤200mA	1000Hz	-25...70°C	M12 Connector	Fig.1
Fi2D-AM14H2-OP6-Q12	2mm	Flush	NO PNP	10...30VDC	≤200mA	1000Hz	-25...70°C	M12 Connector	Fig.2
Fi2D-AM14H2-ON6-Q12	2mm	Flush	NO NPN	10...30VDC	≤200mA	1000Hz	-25...70°C	M12 Connector	Fig.2
Fi2D-AM14H2-CP6-Q12	2mm	Flush	NC PNP	10...30VDC	≤200mA	1000Hz	-25...70°C	M12 Connector	Fig.2
Fi2D-AM14H2-CN6-Q12	2mm	Flush	NC NPN	10...30VDC	≤200mA	1000Hz	-25...70°C	M12 Connector	Fig.2

Dimensions:

Fig.1

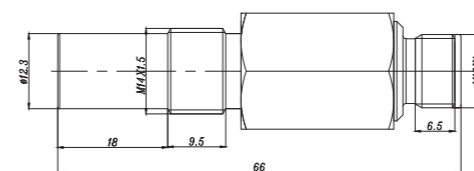
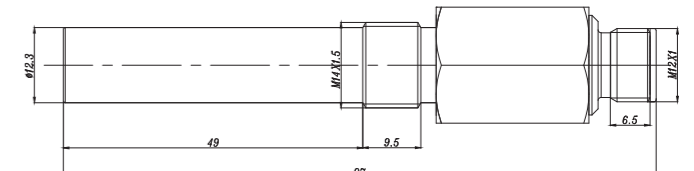


Fig.2





Description:

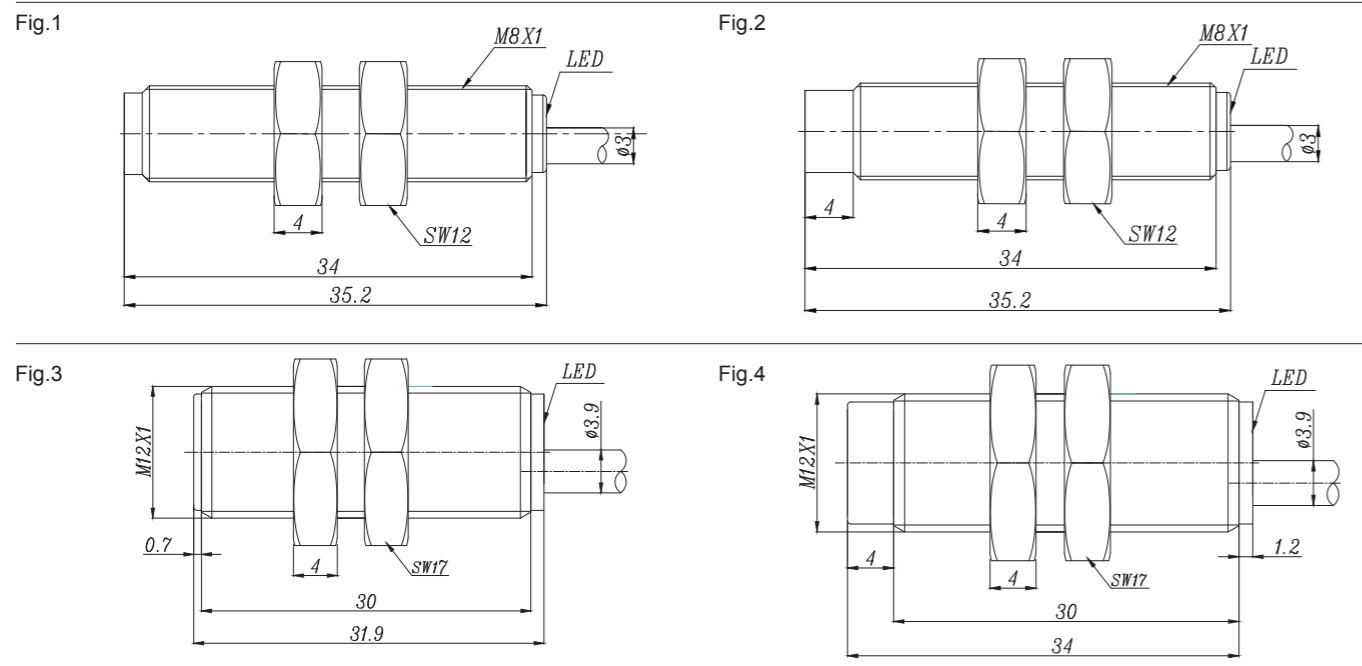
Metal housing, standard operating voltage for explosion-proof applications, configured safety barrier (recommended ELCO ECXI series), IP67 protection class, LED indicator.

See the wiring diagram on page 231-233 for your reference.

Technical Data:

Type	Rated Operating Distance Sn	Mounting	Output	Voltage Range U _B	Rated Current	Switching Frequency	Ambient Temperature	Connection	Fig
Fi1.5-KM08S-NE	1.5mm	Flush	NAMUR	7.7...9VDC	≥2.2mA (Not trigger) ≤1mA (Trigger)	1000Hz	-25...70°C	2m cable	Fig.1
Ni2-KM08S-NE	2mm	Non-flush	NAMUR	7.7...9VDC	≥2.2mA (Not trigger) ≤1mA (Trigger)	800Hz	-25...70°C	2m cable	Fig.2
Fi2-M12S-NE	2mm	Flush	NAMUR	7.7...9VDC	≥2.2mA (Not trigger) ≤1mA (Trigger)	1000Hz	-25...70°C	2m cable	Fig.3
Ni4-M12S-NE	4mm	Non-flush	NAMUR	7.7...9VDC	≥2.2mA (Not trigger) ≤1mA (Trigger)	800Hz	-25...70°C	2m cable	Fig.4

Dimensions:



Description:

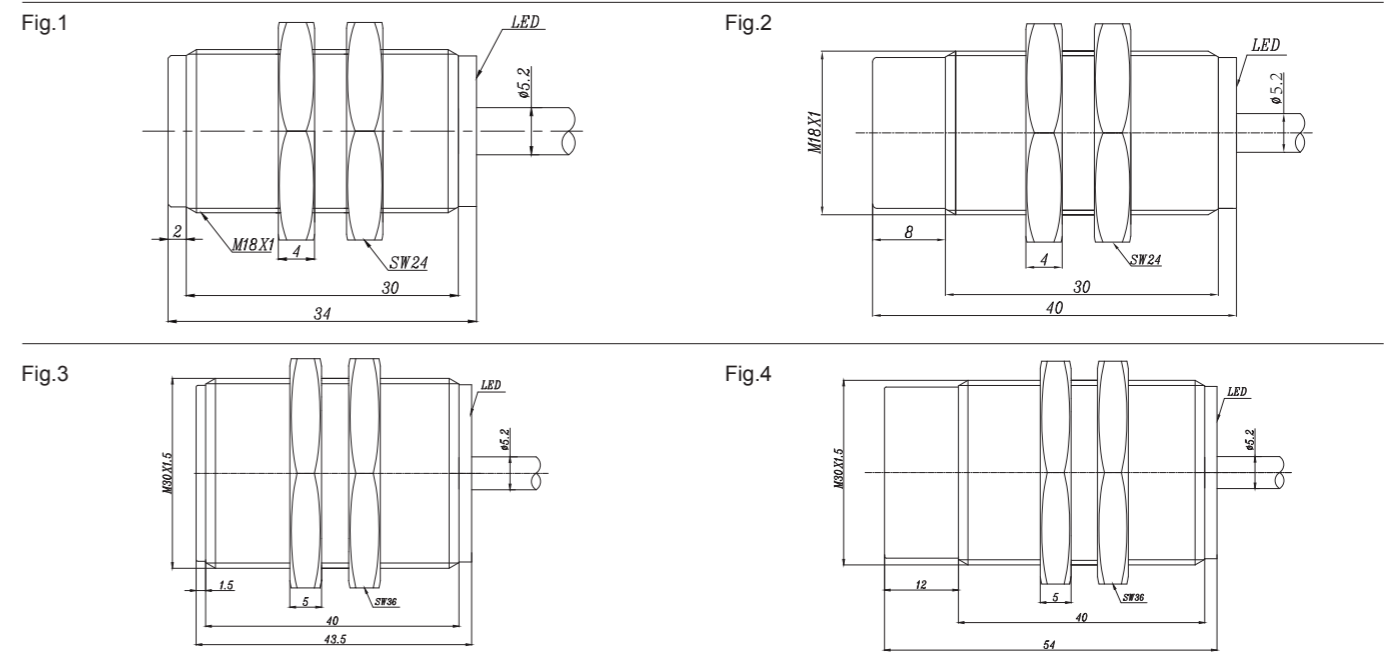
Brass nickel-plated, standard operating voltage for explosion-proof applications, configured safety barrier (recommended ELCO ECXI series), IP67 protection class, LED indicator.

See the wiring diagram on page 231-233 for your reference.

Technical Data:

Type	Rated Operating Distance Sn	Mounting	Output	Voltage Range U _B	Rated Current	Switching Frequency	Ambient Temperature	Connection	Fig
Fi5-M18S-NE	5mm	Flush	NAMUR	7.7...9VDC	≥2.2mA (Not trigger) ≤1mA (Trigger)	800Hz	-25...70°C	2m cable	Fig.1
Ni8-M18S-NE	8mm	Non-flush	NAMUR	7.7...9VDC	≥2.2mA (Not trigger) ≤1mA (Trigger)	500Hz	-25...70°C	2m cable	Fig.2
Fi10-M30S-NE	10mm	Flush	NAMUR	7.7...9VDC	≥2.2mA (Not trigger) ≤1mA (Trigger)	400Hz	-25...70°C	2m cable	Fig.3
Ni15-M30S-NE	15mm	Non-flush	NAMUR	7.7...9VDC	≥2.2mA (Not trigger) ≤1mA (Trigger)	200Hz	-25...70°C	2m cable	Fig.4

Dimensions:



NAMUR

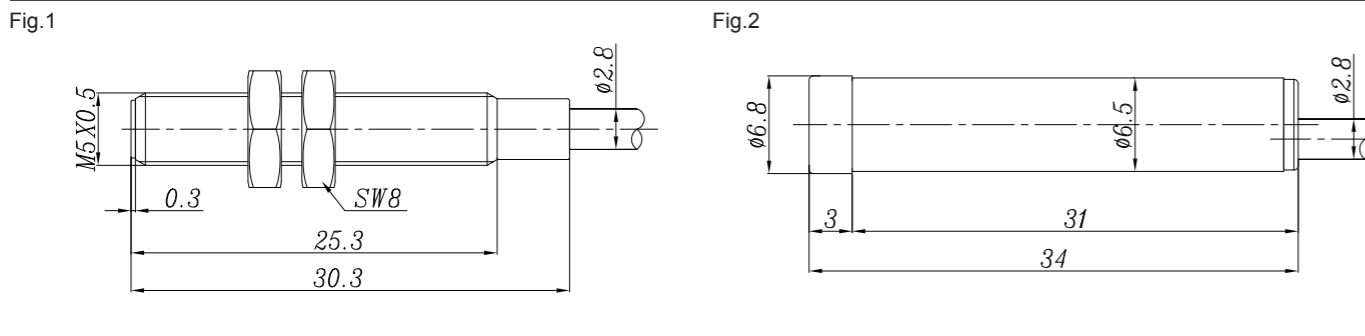


Description:
 Stainless steel housing, standard operating voltage for explosion-proof applications, configured safety barrier (recommended ELCO ECXI series), IP67 protection class, LED indicator.
 See the wiring diagram on page 231-233 for your reference.

Technical Data:

Type	Rated Operating Distance Sn	Mounting	Output	Voltage Range U _B	Rated Current	Switching Frequency	Ambient Temperature	Connection	Fig
Fi1-KM05-NE	1mm	Flush	NAMUR	7.7...9VDC	≥2.2mA (Not trigger) ≤1mA (Trigger)	1500Hz	-25...70°C	2m cable	Fig.1
Ni1.5-KH6.5S-NE	1.5mm	Flush	NAMUR	7.7...9VDC	≥2.2mA (Not trigger) ≤1mA (Trigger)	1000Hz	-25...70°C	2m cable	Fig.2

Dimensions:



NAMUR

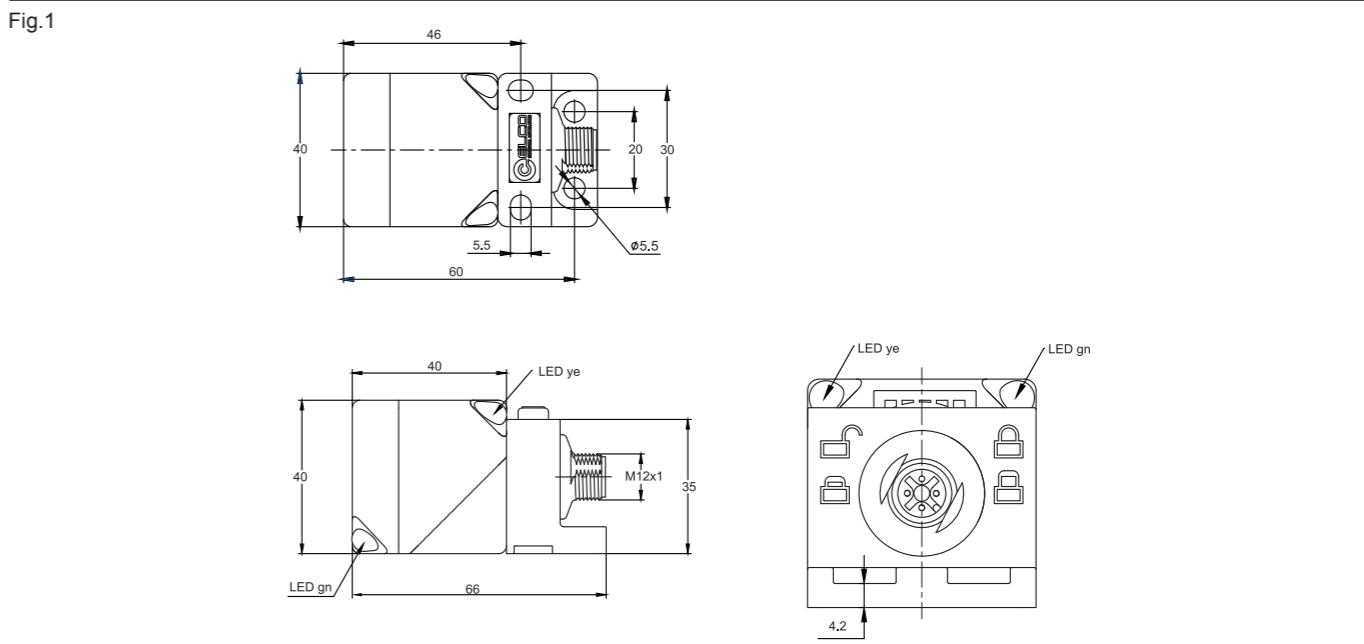


Description:
 Plastic housing, standard operating voltage for explosion-proof applications, configured safety barrier (recommended ELCO ECXI series), IP67 protection class, LED indicator.
 See the wiring diagram on page 231-233 for your reference.

Technical Data:

Type	Rated Operating Distance Sn	Mounting	Output	Voltage Range U _B	Rated Current	Switching Frequency	Ambient Temperature	Connection	Fig
Fi20-C40-NE-Q12	20mm	Flush	NAMUR	7.7...9VDC	≥2.2mA (Not trigger) ≤1mA (Trigger)	150Hz	-25...70°C	M12 Connector	Fig.1
Ni40-C40-NE-Q12	40mm	Non-flush	NAMUR	7.7...9VDC	≥2.2mA (Not trigger) ≤1mA (Trigger)	150Hz	-25...70°C	M12 Connector	Fig.1

Dimensions:



<< Inductive Sensor

NAMUR



Description:

Plastic housing, standard operating voltage for explosion-proof applications, configured safety barrier (recommended ELCO ECXI series), IP67 protection class, LED indicator.

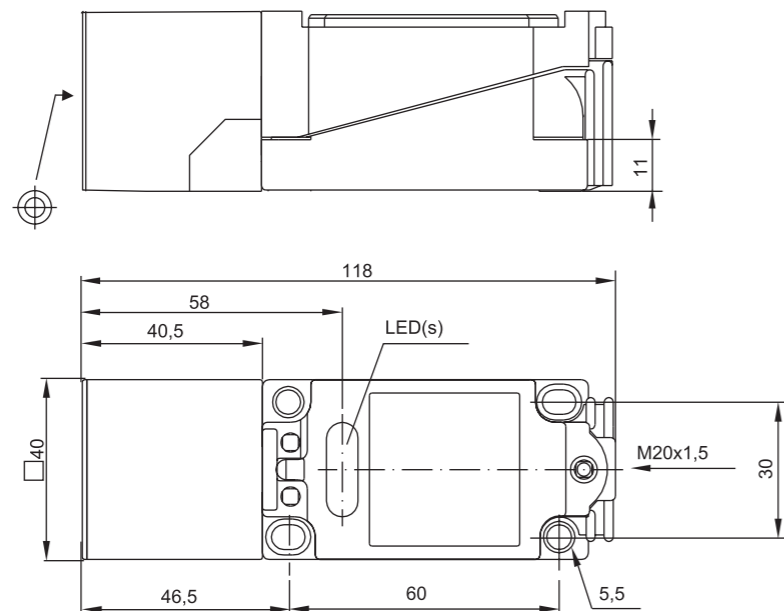
See the wiring diagram on page 231-233 for your reference.

Technical Data:

Type	Rated Operating Distance S _n	Mounting	Output	Voltage Range U _B	Rated Current	Switching Frequency	Ambient Temperature	Connection	Fig
FI15-CL40-NE	15mm	Flush	NAMUR	7.7...9VDC	≥2.2mA (Not trigger) ≤1mA (Trigger)	250Hz	-25...70°C	2m cable	Fig.1
Ni20-CL40-NE	20mm	Non-flush	NAMUR	7.7...9VDC	≥2.2mA (Not trigger) ≤1mA (Trigger)	250Hz	-25...70°C	2m cable	Fig.1

Dimensions:

Fig.1



NAMUR



Description:

Plastic housing, standard operating voltage for explosion-proof applications, configured safety barrier (recommended ELCO ECXI series), IP67 protection class, LED indicator.

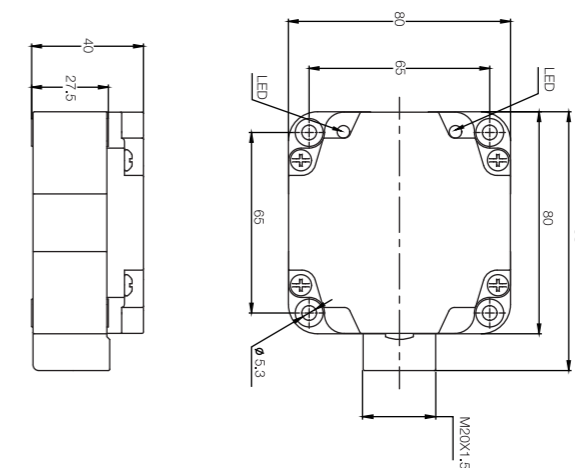
See the wiring diagram on page 231-233 for your reference.

Technical Data:

Type	Rated Operating Distance S _n	Mounting	Output	Voltage Range U _B	Rated Current	Switching Frequency	Ambient Temperature	Connection	Fig
FI40-C80-NE	40mm	Flush	NAMUR	7.7...9VDC	≥2.2mA (Not trigger) ≤1mA (Trigger)	80Hz	-25...70°C	2m cable	Fig.1
Ni50-C80-NE	50mm	Non-flush	NAMUR	7.7...9VDC	≥2.2mA (Not trigger) ≤1mA (Trigger)	100Hz	-25...70°C	2m cable	Fig.1

Dimensions:

Fig.1



<< Inductive Sensor

Wide Temperature Range - M30



Description:

Brass nickel-plated, threaded barrel, DC 3-wire output, temperature range -30...100 °C, IP67 protection class, LED indicator.

See the wiring diagram on page 231-233 for your reference.

Technical Data:

Type	Rated Operating Distance S _n	Mounting	Output	Voltage Range U _B	Rated Current	Switching Frequency	Ambient Temperature	Connection	Fig
Fi10H-M30-OP6L	10mm	Flush	NO PNP	10...30VDC	≤200mA	400Hz	-30...100°C	2m cable	Fig.1
Fi10H-M30-ON6L	10mm	Flush	NO NPN	10...30VDC	≤200mA	400Hz	-30...100°C	2m cable	Fig.1
Fi10H-M30-CP6L	10mm	Flush	NC PNP	10...30VDC	≤200mA	400Hz	-30...100°C	2m cable	Fig.1
Fi10H-M30-CN6L	10mm	Flush	NC NPN	10...30VDC	≤200mA	400Hz	-30...100°C	2m cable	Fig.1
Ni15H-M30-OP6L	15mm	Non-flush	NO PNP	10...30VDC	≤200mA	200Hz	-30...100°C	2m cable	Fig.2
Ni15H-M30-ON6L	15mm	Non-flush	NO NPN	10...30VDC	≤200mA	200Hz	-30...100°C	2m cable	Fig.2
Ni15H-M30-CP6L	15mm	Non-flush	NC PNP	10...30VDC	≤200mA	200Hz	-30...100°C	2m cable	Fig.2
Ni15H-M30-CN6L	15mm	Non-flush	NC NPN	10...30VDC	≤200mA	200Hz	-30...100°C	2m cable	Fig.2
Fi10H-M30-OP6L-Q12	10mm	Flush	NO PNP	10...30VDC	≤200mA	400Hz	-30...100°C	M12 Connector	Fig.3
Fi10H-M30-ON6L-Q12	10mm	Flush	NO NPN	10...30VDC	≤200mA	400Hz	-30...100°C	M12 Connector	Fig.3
Fi10H-M30-CP6L-Q12	10mm	Flush	NC PNP	10...30VDC	≤200mA	400Hz	-30...100°C	M12 Connector	Fig.3
Fi10H-M30-CN6L-Q12	10mm	Flush	NC NPN	10...30VDC	≤200mA	400Hz	-30...100°C	M12 Connector	Fig.3
Ni15H-M30-OP6L-Q12	15mm	Non-flush	NO PNP	10...30VDC	≤200mA	200Hz	-30...100°C	M12 Connector	Fig.4
Ni15H-M30-ON6L-Q12	15mm	Non-flush	NO NPN	10...30VDC	≤200mA	200Hz	-30...100°C	M12 Connector	Fig.4
Ni15H-M30-CP6L-Q12	15mm	Non-flush	NC PNP	10...30VDC	≤200mA	200Hz	-30...100°C	M12 Connector	Fig.4
Ni15H-M30-CN6L-Q12	15mm	Non-flush	NC NPN	10...30VDC	≤200mA	200Hz	-30...100°C	M12 Connector	Fig.4

Dimensions:

Fig.1

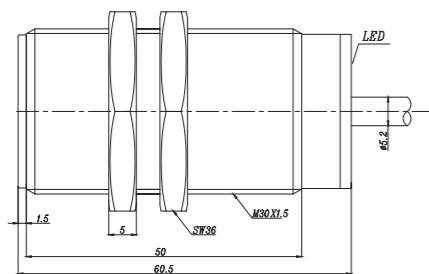


Fig.2

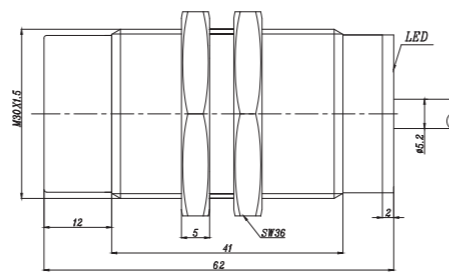


Fig.3

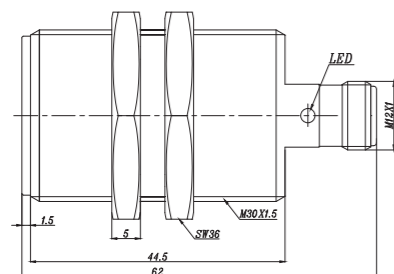
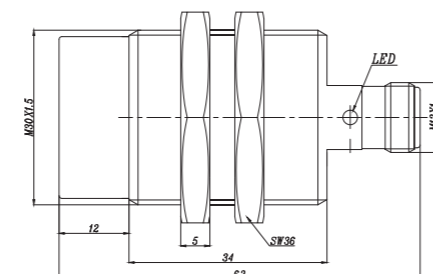


Fig.4



Temperature Extension - High Temperature-M08

Temperature Extension - High Temperature-M08



Description:
 Brass nickel-plated, threaded barrel, DC 2-wire output, temperature range up to 120 °C, IP67 protection class, LED indicator.
 See the wiring diagram on page 231-233 for your reference.



Description:
 Brass nickel-plated, threaded barrel, DC 3-wire output, temperature range up to 120 °C, IP67 protection class, LED indicator.
 See the wiring diagram on page 231-233 for your reference.

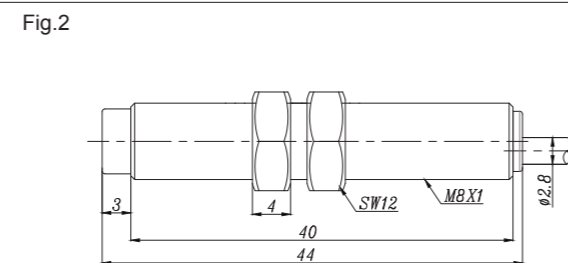
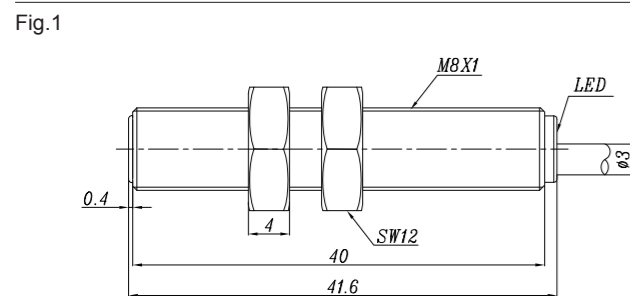
Technical Data:

Type	Rated Operating Distance Sn	Mounting	Output	Voltage Range U _B	Rated Current	Switching Frequency	Ambient Temperature	Connection	Fig
Fi2-M08-OD6L/T120	2mm	Flush	DC NO	10...30VDC	≤100mA	1000Hz	-25...120 °C	2m cable	Fig.1
Fi2-M08-CD6L/T120	2mm	Flush	DC NC	10...30VDC	≤100mA	1000Hz	-25...120 °C	2m cable	Fig.1
Ni4-M08-OD6L/T120	4mm	Non-flush	DC NO	10...30VDC	≤100mA	800Hz	-25...120 °C	2m cable	Fig.2
Ni4-M08-CD6L/T120	4mm	Non-flush	DC NC	10...30VDC	≤100mA	800Hz	-25...120 °C	2m cable	Fig.2

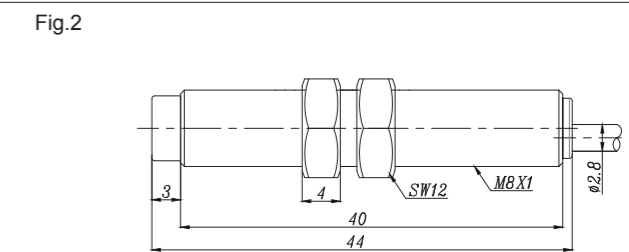
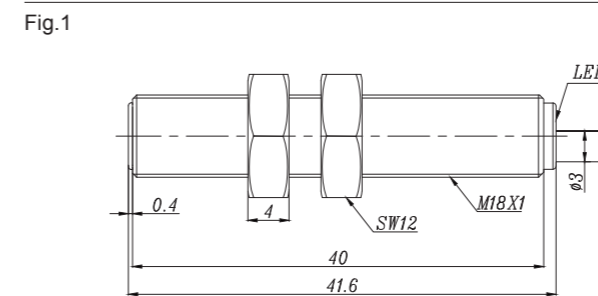
Technical Data:

Type	Rated Operating Distance Sn	Mounting	Output	Voltage Range U _B	Rated Current	Switching Frequency	Ambient Temperature	Connection	Fig
Fi2-M08-OP6L/T120	2mm	Flush	PNP NO	10...30VDC	≤100mA	1000Hz	-25...120 °C	2m cable	Fig.1
Fi2-M08-ON6L/T120	2mm	Flush	NPN NO	10...30VDC	≤100mA	1000Hz	-25...120 °C	2m cable	Fig.1
Fi2-M08-CP6L/T120	2mm	Flush	PNP NC	10...30VDC	≤100mA	1000Hz	-25...120 °C	2m cable	Fig.1
Fi2-M08-CN6L/T120	2mm	Flush	NPN NC	10...30VDC	≤100mA	1000Hz	-25...120 °C	2m cable	Fig.1
Ni4-M08-OP6L/T120	4mm	Non-flush	PNP NO	10...30VDC	≤100mA	800Hz	-25...120 °C	2m cable	Fig.2
Ni4-M08-ON6L/T120	4mm	Non-flush	NPN NO	10...30VDC	≤100mA	800Hz	-25...120 °C	2m cable	Fig.2
Ni4-M08-CP6L/T120	4mm	Non-flush	PNP NC	10...30VDC	≤100mA	800Hz	-25...120 °C	2m cable	Fig.2
Ni4-M08-CN6L/T120	4mm	Non-flush	NPN NC	10...30VDC	≤100mA	800Hz	-25...120 °C	2m cable	Fig.2

Dimensions:



Dimensions:



<< Inductive Sensor

Temperature Extension - High Temperature-M08



Description:

Stainless steel housing, threaded barrel, DC 2-wire output, temperature range up to 120 °C, IP67 protection class, LED indicator.

See the wiring diagram on page 231-233 for your reference.

Technical Data:

Type	Rated Operating Distance Sn	Mounting	Output	Voltage Range U _B	Rated Current	Switching Frequency	Ambient Temperature	Connection	Fig
FI2-KM08-OD6L/T120	2mm	Flush	DC NO	10...30VDC	≤100mA	1000Hz	-25...120°C	2m cable	Fig.1
FI2-KM08-CD6L/T120	2mm	Flush	DC NO	10...30VDC	≤100mA	1000Hz	-25...120°C	2m cable	Fig.1
NI4-KM08-OD6L/T120	4mm	Non-flush	DC NC	10...30VDC	≤100mA	800Hz	-25...120°C	2m cable	Fig.2
NI4-KM08-CD6L/T120	4mm	Non-flush	DC NC	10...30VDC	≤100mA	800Hz	-25...120°C	2m cable	Fig.2

Dimensions:

Fig.1

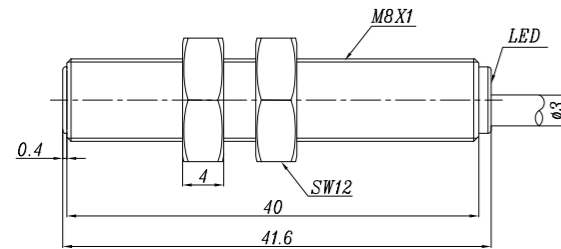
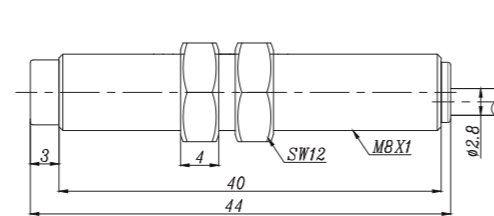


Fig.2



Temperature Extension - High Temperature-M08



Description:

Stainless steel housing, threaded barrel, DC 3-wire output, temperature range up to 120 °C, IP67 protection class, LED indicator.

See the wiring diagram on page 231-233 for your reference.

Technical Data:

Type	Rated Operating Distance Sn	Mounting	Output	Voltage Range U _B	Rated Current	Switching Frequency	Ambient Temperature	Connection	Fig
FI2-KM08-OP6L/T120	2mm	Flush	PNP NO	10...30VDC	≤100mA	1000Hz	-25...120°C	2m cable	Fig.1
FI2-KM08-ON6L/T120	2mm	Flush	NPN NO	10...30VDC	≤100mA	1000Hz	-25...120°C	2m cable	Fig.1
FI2-KM08-CP6L/T120	2mm	Flush	PNP NC	10...30VDC	≤100mA	1000Hz	-25...120°C	2m cable	Fig.1
FI2-KM08-CN6L/T120	2mm	Flush	NPN NC	10...30VDC	≤100mA	1000Hz	-25...120°C	2m cable	Fig.1
NI4-KM08-OP6L/T120	4mm	Non-flush	PNP NO	10...30VDC	≤100mA	800Hz	-25...120°C	2m cable	Fig.2
NI4-KM08-ON6L/T120	4mm	Non-flush	NPN NO	10...30VDC	≤100mA	800Hz	-25...120°C	2m cable	Fig.2
NI4-KM08-CP6L/T120	4mm	Non-flush	PNP NC	10...30VDC	≤100mA	800Hz	-25...120°C	2m cable	Fig.2
NI4-KM08-CN6L/T120	4mm	Non-flush	NPN NC	10...30VDC	≤100mA	800Hz	-25...120°C	2m cable	Fig.2

Dimensions:

Fig.1

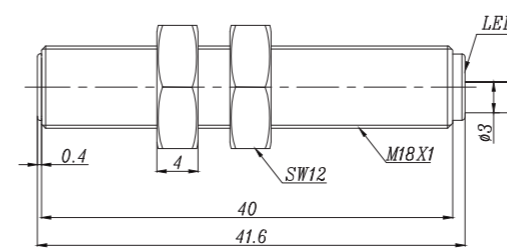
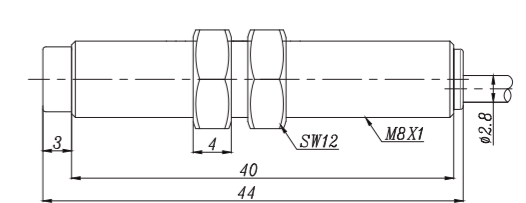
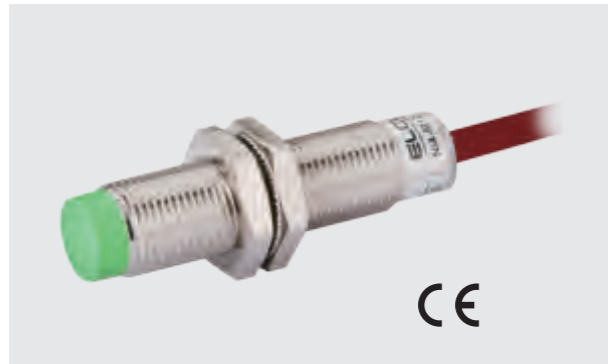


Fig.2



<< Inductive Sensor

Temperature Extension - High Temperature-M12



Description:

Brass nickel-plated, threaded barrel, DC 2-wire output, temperature range up to 120 °C, IP67 protection class, LED indicator.

See the wiring diagram on page 231-233 for your reference.

Technical Data:

Type	Rated Operating Distance Sn	Mounting	Output	Voltage Range U _B	Rated Current	Switching Frequency	Ambient Temperature	Connection	Fig
Fi2-M12-OD6L/T120	2mm	Flush	DC NO	10...30VDC	≤100mA	1000Hz	-25...120°C	2m cable	Fig.1
Fi2-M12-CD6L/T120	2mm	Flush	DC NC	10...30VDC	≤100mA	1000Hz	-25...120°C	2m cable	Fig.1
Ni4-M12-OD6L/T120	4mm	Non-flush	DC NO	10...30VDC	≤100mA	800Hz	-25...120°C	2m cable	Fig.2
Ni4-M12-CD6L/T120	4mm	Non-flush	DC NC	10...30VDC	≤100mA	800Hz	-25...120°C	2m cable	Fig.2

Dimensions:

Fig.1

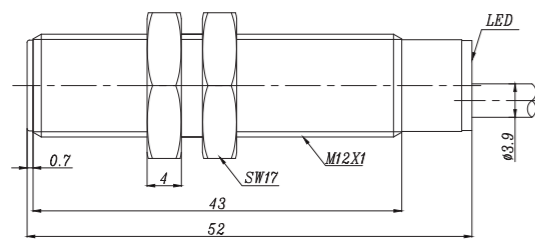
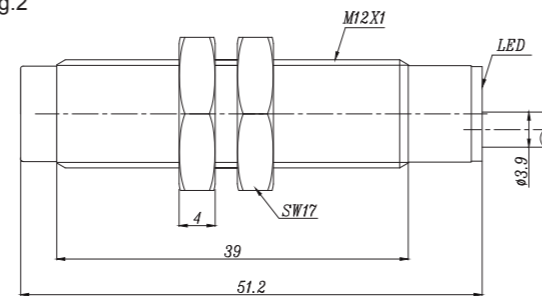


Fig.2



Temperature Extension - High Temperature-M12



Description:

Brass nickel-plated, threaded barrel, DC 3-wire output, temperature range up to 120 °C, IP67 protection class, LED indicator.

See the wiring diagram on page 231-233 for your reference.

Technical Data:

Type	Rated Operating Distance Sn	Mounting	Output	Voltage Range U _B	Rated Current	Switching Frequency	Ambient Temperature	Connection	Fig
Fi2-M12-OP6L/T120	2mm	Flush	PNP NO	10...30VDC	≤100mA	1000Hz	-25...120°C	2m cable	Fig.1
Fi2-M12-ON6L/T120	2mm	Flush	NPN NO	10...30VDC	≤100mA	1000Hz	-25...120°C	2m cable	Fig.1
Fi2-M12-CP6L/T120	2mm	Flush	PNP NC	10...30VDC	≤100mA	1000Hz	-25...120°C	2m cable	Fig.1
Fi2-M12-CN6L/T120	2mm	Flush	NPN NC	10...30VDC	≤100mA	1000Hz	-25...120°C	2m cable	Fig.1
Ni4-M12-OP6L/T120	4mm	Non-flush	PNP NO	10...30VDC	≤100mA	800Hz	-25...120°C	2m cable	Fig.2
Ni4-M12-ON6L/T120	4mm	Non-flush	NPN NO	10...30VDC	≤100mA	800Hz	-25...120°C	2m cable	Fig.2
Ni4-M12-CP6L/T120	4mm	Non-flush	PNP NC	10...30VDC	≤100mA	800Hz	-25...120°C	2m cable	Fig.2
Ni4-M12-CN6L/T120	4mm	Non-flush	NPN NC	10...30VDC	≤100mA	800Hz	-25...120°C	2m cable	Fig.2

Dimensions:

Fig.1

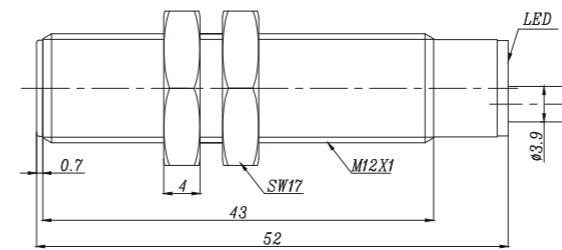
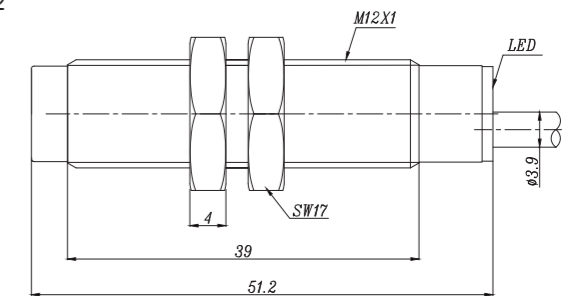


Fig.2



<< Inductive Sensor

Temperature Extension - High Temperature-M12



Description:

Brass nickel-plated, threaded barrel, AC/DC 2-wire output, temperature range up to 120 °C, IP67 protection class, LED indicator.

See the wiring diagram on page 231-233 for your reference.

Technical Data:

Type	Rated Operating Distance Sn	Mounting	Output	Voltage Range U _B	Rated Current	Switching Frequency	Ambient Temperature	Connection	Fig
Fi2-M12-OA41L/T120	2mm	Flush	DC/AC NO	20...250VAC/DC	≤300mA	40Hz	-25...120 °C	2m cable	Fig.1
Fi2-M12-CA41L/T120	2mm	Flush	DC/AC NC	20...250VAC/DC	≤300mA	40Hz	-25...120 °C	2m cable	Fig.1
Ni4-M12-OA41L/T120	4mm	Non-flush	DC/AC NO	20...250VAC/DC	≤300mA	40Hz	-25...120 °C	2m cable	Fig.2
Ni4-M12-CA41L/T120	4mm	Non-flush	DC/AC NC	20...250VAC/DC	≤300mA	40Hz	-25...120 °C	2m cable	Fig.2

Dimensions:

Fig.1

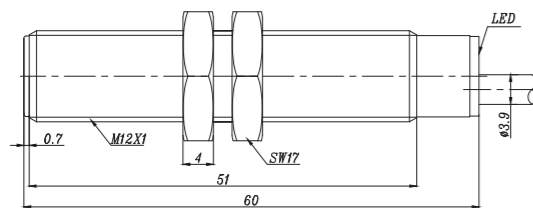
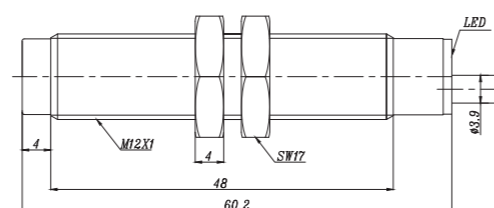


Fig.2



Temperature Extension - High Temperature-M18



Description:

Brass nickel-plated, threaded barrel, DC 2-wire output, temperature range up to 120 °C, IP67 protection class, LED indicator.

See the wiring diagram on page 231-233 for your reference.

Technical Data:

Type	Rated Operating Distance Sn	Mounting	Output	Voltage Range U _B	Rated Current	Switching Frequency	Ambient Temperature	Connection	Fig
Fi5-M18-OD6L/T120	5mm	Flush	DC NO	10...30VDC	≤100mA	800Hz	-25...120 °C	2m cable	Fig.1
Fi5-M18-CD6L/T120	5mm	Flush	DC NC	10...30VDC	≤100mA	800Hz	-25...120 °C	2m cable	Fig.1
Ni8-M18-OD6L/T120	8mm	Non-flush	DC NO	10...30VDC	≤100mA	500Hz	-25...120 °C	2m cable	Fig.2
Ni8-M18-CD6L/T120	8mm	Non-flush	DC NC	10...30VDC	≤100mA	500Hz	-25...120 °C	2m cable	Fig.2

Dimensions:

Fig.1

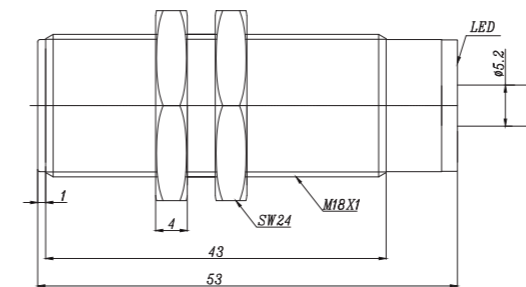
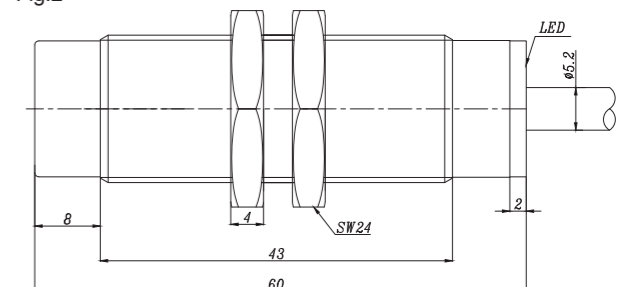


Fig.2



<< Inductive Sensor

Temperature Extension - High Temperature-M18



Description:

Brass nickel-plated, threaded barrel, DC 3-wire output, temperature range up to 120 °C, IP67 protection class, LED indicator.

See the wiring diagram on page 231-233 for your reference.

Technical Data:

Type	Rated Operating Distance Sn	Mounting	Output	Voltage Range U _s	Rated Current	Switching Frequency	Ambient Temperature	Connection	Fig
Fi5-M18-OP6L/T120	5mm	Flush	PNP NO	10...30VDC	≤100mA	800Hz	-25...120°C	2m cable	Fig.1
Fi5-M18-ON6L/T120	5mm	Flush	NPN NO	10...30VDC	≤100mA	800Hz	-25...120°C	2m cable	Fig.1
Fi5-M18-CP6L/T120	5mm	Flush	PNP NC	10...30VDC	≤100mA	800Hz	-25...120°C	2m cable	Fig.1
Fi5-M18-CN6L/T120	5mm	Flush	NPN NC	10...30VDC	≤100mA	800Hz	-25...120°C	2m cable	Fig.1
Ni8-M18-OP6L/T120	8mm	Non-flush	PNP NO	10...30VDC	≤100mA	500Hz	-25...120°C	2m cable	Fig.2
Ni8-M18-ON6L/T120	8mm	Non-flush	NPN NO	10...30VDC	≤100mA	500Hz	-25...120°C	2m cable	Fig.2
Ni8-M18-CP6L/T120	8mm	Non-flush	PNP NC	10...30VDC	≤100mA	500Hz	-25...120°C	2m cable	Fig.2
Ni8-M18-CN6L/T120	8mm	Non-flush	NPN NC	10...30VDC	≤100mA	500Hz	-25...120°C	2m cable	Fig.2

Dimensions:

Fig.1

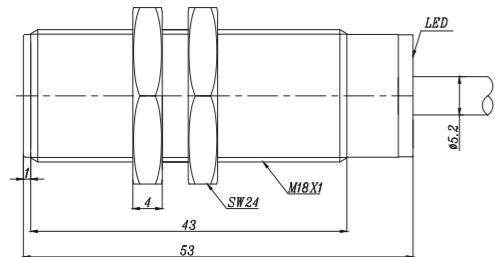
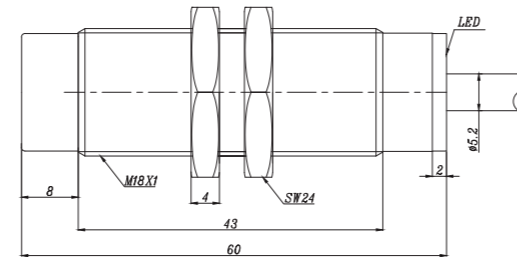


Fig.2



Temperature Extension - High Temperature-M18



Description:

Brass nickel-plated, threaded barrel, AC/DC 2-wire output, temperature range up to 120 °C, IP67 protection class, LED indicator.

See the wiring diagram on page 231-233 for your reference.

Technical Data:

Type	Rated Operating Distance Sn	Mounting	Output	Voltage Range U _s	Rated Current	Switching Frequency	Ambient Temperature	Connection	Fig
Fi5-M18-OA41L/T120	5mm	Flush	DC/AC NO	20...250VAC/DC	≤300mA	40Hz	-25...120°C	2m cable	Fig.1
Fi5-M18-CA41L/T120	5mm	Flush	DC/AC NC	20...250VAC/DC	≤300mA	40Hz	-25...120°C	2m cable	Fig.1
Ni8-M18-OA41L/T120	8mm	Non-flush	DC/AC NO	20...250VAC/DC	≤300mA	40Hz	-25...120°C	2m cable	Fig.2
Ni8-M18-CA41L/T120	8mm	Non-flush	DC/AC NC	20...250VAC/DC	≤300mA	40Hz	-25...120°C	2m cable	Fig.2

Dimensions:

Fig.1

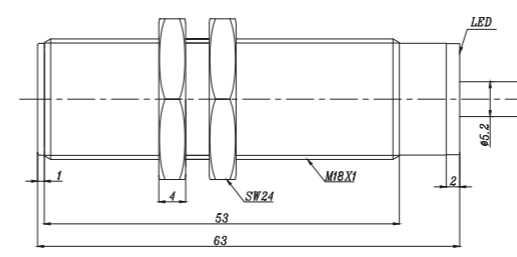
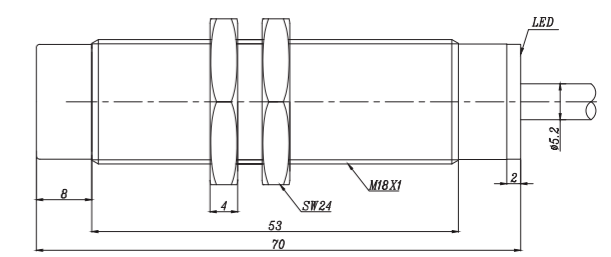


Fig.2



<< Inductive Sensor

Temperature Extension - High Temperature-M30



Description:

Brass nickel-plated, threaded barrel, DC 2-wire output, temperature range up to 120 °C, IP67 protection class, LED indicator.

See the wiring diagram on page 231-233 for your reference.

Technical Data:

Type	Rated Operating Distance Sn	Mounting	Output	Voltage Range U _B	Rated Current	Switching Frequency	Ambient Temperature	Connection	Fig
Fi10-M30-OD6L/T120	10mm	Flush	DC/AC NO	20...250VAC/DC	≤100mA	40Hz	-25...120°C	2m cable	Fig.1
Fi10-M30-CD6L/T120	10mm	Flush	DC/AC NC	20...250VAC/DC	≤100mA	40Hz	-25...120°C	2m cable	Fig.1
Ni15-M30-OD6L/T120	15mm	Non-flush	DC/AC NO	20...250VAC/DC	≤100mA	40Hz	-25...120°C	2m cable	Fig.2
Ni15-M30-CD6L/T120	15mm	Non-flush	DC/AC NC	20...250VAC/DC	≤100mA	40Hz	-25...120°C	2m cable	Fig.2

Dimensions:

Fig.1

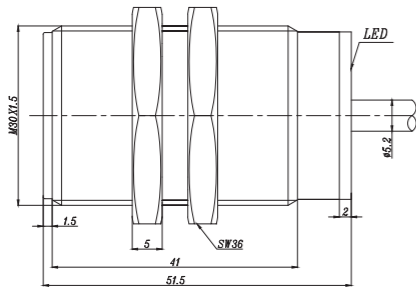
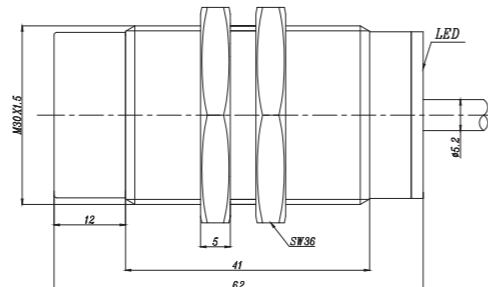


Fig.2



Temperature Extension - High Temperature-M30



Description:

Brass nickel-plated, threaded barrel, DC 3-wire output, temperature range up to 120 °C, IP67 protection class, LED indicator.

See the wiring diagram on page 231-233 for your reference.

Technical Data:

Type	Rated Operating Distance Sn	Mounting	Output	Voltage Range U _B	Rated Current	Switching Frequency	Ambient Temperature	Connection	Fig
Fi10-M30-OP6L/T120	10mm	Flush	PNP NO	10...30VDC	≤100mA	400Hz	-25...120°C	2m cable	Fig.1
Fi10-M30-ON6L/T120	10mm	Flush	NPN NO	10...30VDC	≤100mA	400Hz	-25...120°C	2m cable	Fig.1
Fi10-M30-CP6L/T120	10mm	Flush	PNP NC	10...30VDC	≤100mA	400Hz	-25...120°C	2m cable	Fig.1
Fi10-M30-CN6L/T120	10mm	Flush	NPN NC	10...30VDC	≤100mA	400Hz	-25...120°C	2m cable	Fig.1
Ni15-M30-OP6L/T120	15mm	Non-flush	PNP NO	10...30VDC	≤100mA	200Hz	-25...120°C	2m cable	Fig.2
Ni15-M30-ON6L/T120	15mm	Non-flush	NPN NO	10...30VDC	≤100mA	200Hz	-25...120°C	2m cable	Fig.2
Ni15-M30-CP6L/T120	15mm	Non-flush	PNP NC	10...30VDC	≤100mA	200Hz	-25...120°C	2m cable	Fig.2
Ni15-M30-CN6L/T120	15mm	Non-flush	NPN NC	10...30VDC	≤100mA	200Hz	-25...120°C	2m cable	Fig.2

Dimensions:

Fig.1

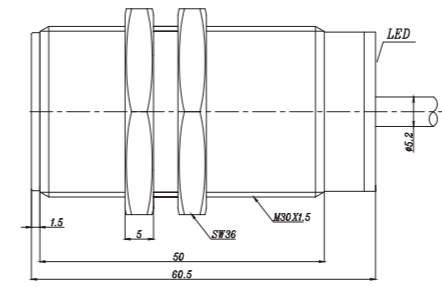
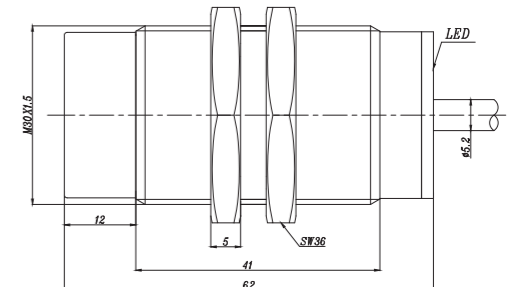


Fig.2



Temperature Extension - High Temperature-M30



Description:

Brass nickel-plated, threaded barrel, AC/DC 2-wire output, temperature range up to 120 °C, IP67 protection class, LED indicator.

See the wiring diagram on page 231-233 for your reference.

Technical Data:

Type	Rated Operating Distance Sn	Mounting	Output	Voltage Range U ₀	Rated Current	Switching Frequency	Ambient Temperature	Connection	Fig
F110-M30-OA41L/T120	10mm	Flush	DC/AC NO	20...250VAC/DC	≤300mA	40Hz	-25...120°C	2m cable	Fig.1
F110-M30-CA41L/T120	10mm	Flush	DC/AC NC	20...250VAC/DC	≤300mA	40Hz	-25...120°C	2m cable	Fig.1
Ni15-M30-OA41L/T120	15mm	Non-flush	DC/AC NO	20...250VAC/DC	≤300mA	40Hz	-25...120°C	2m cable	Fig.2
Ni15-M30-CA41L/T120	15mm	Non-flush	DC/AC NC	20...250VAC/DC	≤300mA	40Hz	-25...120°C	2m cable	Fig.2

Dimensions:

Fig.1

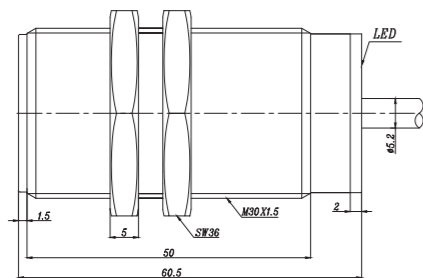
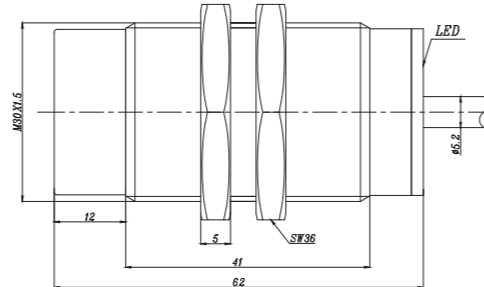


Fig.2



Temperature Extension-Low Temperature-M08

Temperature Extension-Low Temperature-M08



Description:

Brass nickel-plated, threaded barrel, DC 2-wire output, temperature range down to -40°C, IP67 protection class, LED indicator.

See the wiring diagram on page 231-233 for your reference.



Description:

Brass nickel-plated, threaded barrel, DC 3-wire output, temperature range down to -40°C, IP67 protection class, LED indicator.

See the wiring diagram on page 231-233 for your reference.

Technical Data:

Type	Rated Operating Distance Sn	Mounting	Output	Voltage Range U _B	Rated Current	Switching Frequency	Ambient Temperature	Connection	Fig
Fi2-M08-OD6L/TB40	2mm	Flush	DC NO	10...30VDC	≤100mA	1000Hz	-40...70°C	2m cable	Fig.1
Fi2-M08-CD6L/TB40	2mm	Flush	DC NC	10...30VDC	≤100mA	1000Hz	-40...70°C	2m cable	Fig.1
Ni4-M08-OD6L/TB40	4mm	Non-flush	DC NO	10...30VDC	≤100mA	800Hz	-40...70°C	2m cable	Fig.2
Ni4-M08-CD6L/TB40	4mm	Non-flush	DC NC	10...30VDC	≤100mA	800Hz	-40...70°C	2m cable	Fig.2
Fi2-M08-OD6L-Q12/TB40	2mm	Flush	DC NO	10...30VDC	≤100mA	1000Hz	-40...70°C	M12 Connector	Fig.3
Fi2-M08-CD6L-Q12/TB40	2mm	Flush	DC NC	10...30VDC	≤100mA	1000Hz	-40...70°C	M12 Connector	Fig.3
Ni4-M08-OD6L-Q12/TB40	4mm	Non-flush	DC NO	10...30VDC	≤100mA	800Hz	-40...70°C	M12 Connector	Fig.4
Ni4-M08-CD6L-Q12/TB40	4mm	Non-flush	DC NC	10...30VDC	≤100mA	800Hz	-40...70°C	M12 Connector	Fig.4

Technical Data:

Type	Rated Operating Distance Sn	Mounting	Output	Voltage Range U _B	Rated Current	Switching Frequency	Ambient Temperature	Connection	Fig
Fi2-M08-OP6L/TB40	2mm	Flush	PNP NO	10...30VDC	≤200mA	1000Hz	-40...70°C	2m cable	Fig.1
Fi2-M08-ON6L/TB40	2mm	Flush	NPN NO	10...30VDC	≤200mA	1000Hz	-40...70°C	2m cable	Fig.1
Fi2-M08-CP6L/TB40	2mm	Flush	PNP NC	10...30VDC	≤200mA	1000Hz	-40...70°C	2m cable	Fig.1
Fi2-M08-CN6L/TB40	2mm	Flush	NPN NC	10...30VDC	≤200mA	1000Hz	-40...70°C	2m cable	Fig.1
Ni4-M08-OP6L/TB40	4mm	Non-flush	PNP NO	10...30VDC	≤200mA	800Hz	-40...70°C	2m cable	Fig.2
Ni4-M08-ON6L/TB40	4mm	Non-flush	NPN NO	10...30VDC	≤200mA	800Hz	-40...70°C	2m cable	Fig.2
Ni4-M08-CP6L/TB40	4mm	Non-flush	PNP NC	10...30VDC	≤200mA	800Hz	-40...70°C	2m cable	Fig.2
Ni4-M08-CN6L/TB40	4mm	Non-flush	NPN NC	10...30VDC	≤200mA	800Hz	-40...70°C	2m cable	Fig.2
Fi2-M08-OP6L-Q12/TB40	2mm	Flush	PNP NO	10...30VDC	≤200mA	1000Hz	-40...70°C	M12 Connector	Fig.3
Fi2-M08-ON6L-Q12/TB40	2mm	Flush	NPN NO	10...30VDC	≤200mA	1000Hz	-40...70°C	M12 Connector	Fig.3
Fi2-M08-CP6L-Q12/TB40	2mm	Flush	PNP NC	10...30VDC	≤200mA	1000Hz	-40...70°C	M12 Connector	Fig.3
Fi2-M08-CN6L-Q12/TB40	2mm	Flush	NPN NC	10...30VDC	≤200mA	1000Hz	-40...70°C	M12 Connector	Fig.3
Ni4-M08-OP6L-Q12/TB40	4mm	Non-flush	PNP NO	10...30VDC	≤200mA	800Hz	-40...70°C	M12 Connector	Fig.4
Ni4-M08-ON6L-Q12/TB40	4mm	Non-flush	NPN NO	10...30VDC	≤200mA	800Hz	-40...70°C	M12 Connector	Fig.4
Ni4-M08-CP6L-Q12/TB40	4mm	Non-flush	PNP NC	10...30VDC	≤200mA	800Hz	-40...70°C	M12 Connector	Fig.4
Ni4-M08-CN6L-Q12/TB40	4mm	Non-flush	NPN NC	10...30VDC	≤200mA	800Hz	-40...70°C	M12 Connector	Fig.4

Dimensions:

Fig.1

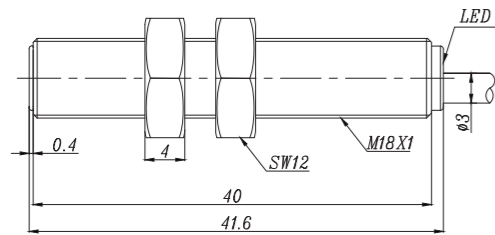


Fig.2

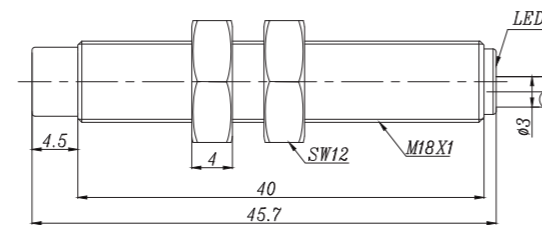


Fig.3

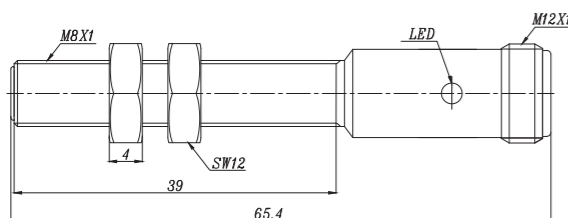


Fig.4

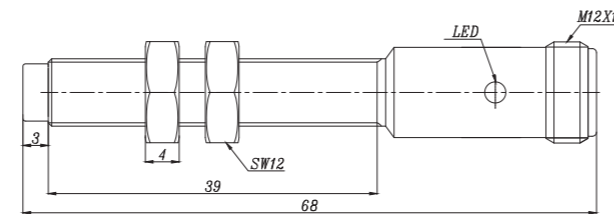


Fig.1

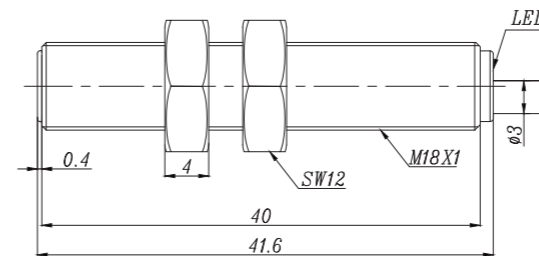


Fig.2

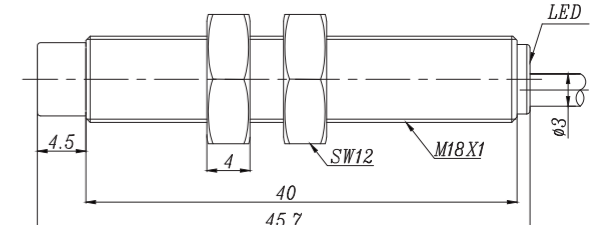


Fig.3

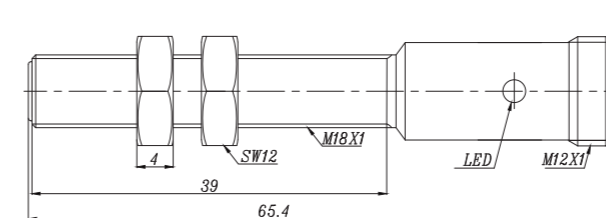
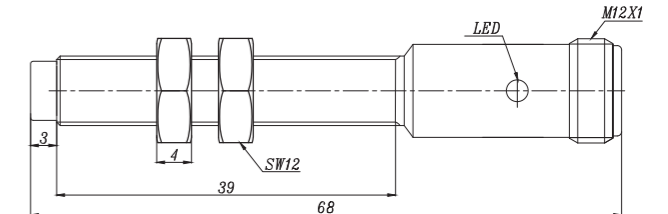


Fig.4



Temperature Extension-Low Temperature-M12

Temperature Extension-Low Temperature-M12



Description:

Brass nickel-plated, threaded barrel, DC 2-wire output, temperature range down to -40°C, IP67 protection class, LED indicator.

See the wiring diagram on page 231-233 for your reference.



Description:

Brass nickel-plated, threaded barrel, DC 3-wire output, temperature range down to -40°C, IP67 protection class, LED indicator.

See the wiring diagram on page 231-233 for your reference.

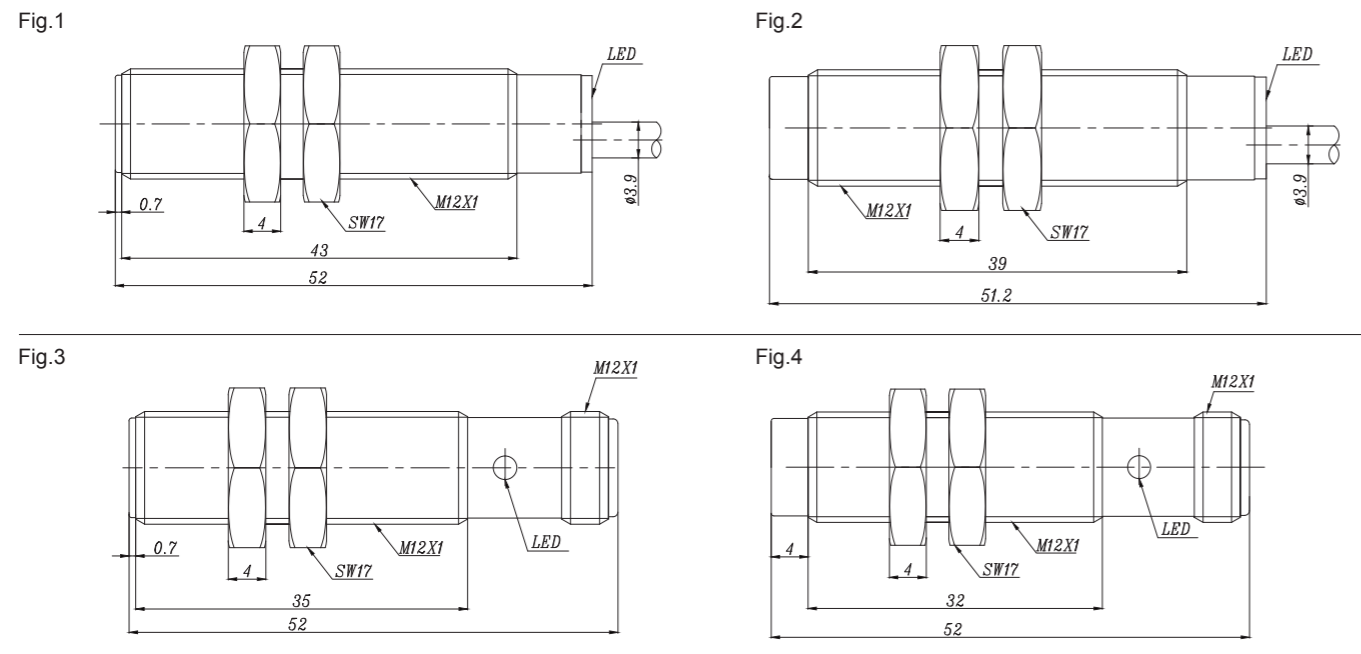
Technical Data:

Type	Rated Operating Distance Sn	Mounting	Output	Voltage Range U _B	Rated Current	Switching Frequency	Ambient Temperature	Connection	Fig
Fi2-M12-OD6L/TB40	2mm	Flush	DC NO	10...30VDC	≤100mA	1000Hz	-40...70°C	2m cable	Fig.1
Fi2-M12-CD6L/TB40	2mm	Flush	DC NC	10...30VDC	≤100mA	1000Hz	-40...70°C	2m cable	Fig.1
Ni4-M12-OD6L/TB40	4mm	Non-flush	DC NO	10...30VDC	≤100mA	800Hz	-40...70°C	2m cable	Fig.2
Ni4-M12-CD6L/TB40	4mm	Non-flush	DC NC	10...30VDC	≤100mA	800Hz	-40...70°C	2m cable	Fig.2
Fi2-M12-OD6L-Q12/TB40	2mm	Flush	DC NO	10...30VDC	≤100mA	1000Hz	-40...70°C	M12 Connector	Fig.3
Fi2-M12-CD6L-Q12/TB40	2mm	Flush	DC NC	10...30VDC	≤100mA	1000Hz	-40...70°C	M12 Connector	Fig.3
Ni4-M12-OD6L-Q12/TB40	4mm	Non-flush	DC NO	10...30VDC	≤100mA	800Hz	-40...70°C	M12 Connector	Fig.4
Ni4-M12-CD6L-Q12/TB40	4mm	Non-flush	DC NC	10...30VDC	≤100mA	800Hz	-40...70°C	M12 Connector	Fig.4

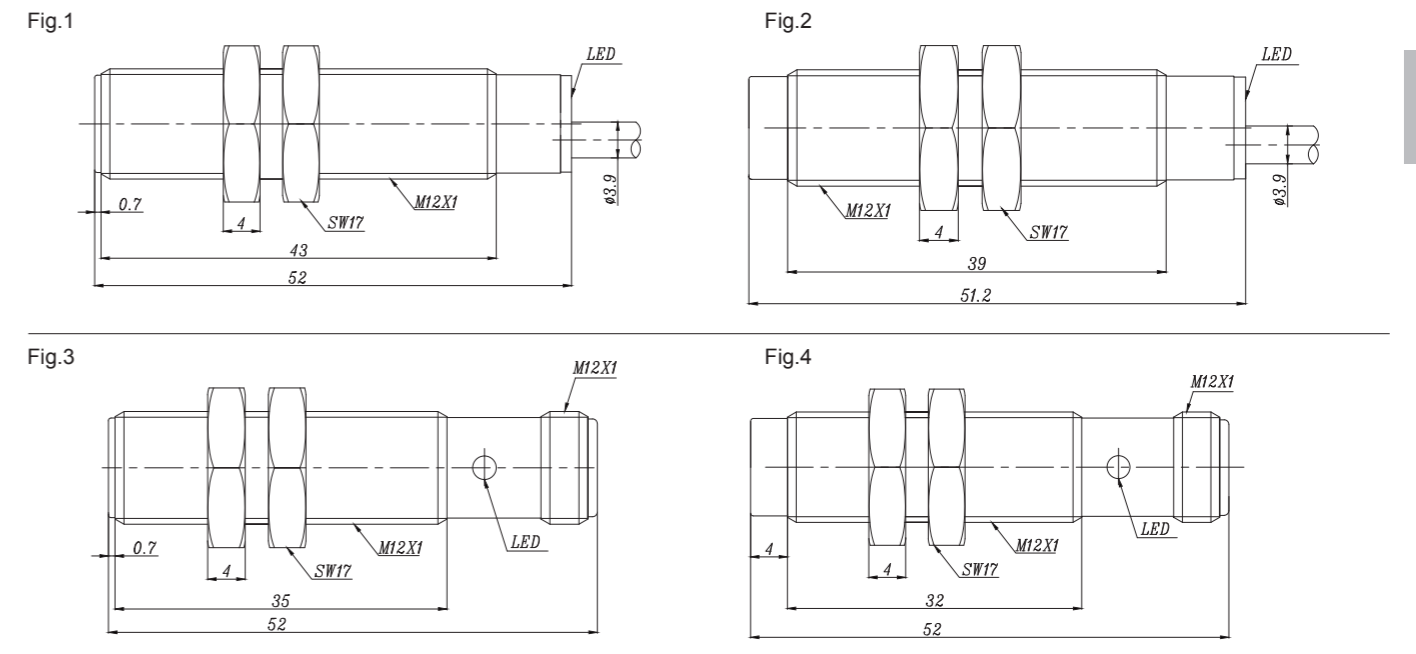
Technical Data:

Type	Rated Operating Distance Sn	Mounting	Output	Voltage Range U _B	Rated Current	Switching Frequency	Ambient Temperature	Connection	Fig
Fi2-M12-OP6L/TB40	2mm	Flush	PNP NO	10...30VDC	≤200mA	1000Hz	-40...70°C	2m cable	Fig.1
Fi2-M12-ON6L/TB40	2mm	Flush	NPN NO	10...30VDC	≤200mA	1000Hz	-40...70°C	2m cable	Fig.1
Fi2-M12-CP6L/TB40	2mm	Flush	PNP NC	10...30VDC	≤200mA	1000Hz	-40...70°C	2m cable	Fig.1
Fi2-M12-CN6L/TB40	2mm	Flush	NPN NC	10...30VDC	≤200mA	1000Hz	-40...70°C	2m cable	Fig.1
Ni4-M12-OP6L/TB40	4mm	Non-flush	PNP NO	10...30VDC	≤200mA	800Hz	-40...70°C	2m cable	Fig.2
Ni4-M12-ON6L/TB40	4mm	Non-flush	NPN NO	10...30VDC	≤200mA	800Hz	-40...70°C	2m cable	Fig.2
Ni4-M12-CP6L/TB40	4mm	Non-flush	PNP NC	10...30VDC	≤200mA	800Hz	-40...70°C	2m cable	Fig.2
Ni4-M12-CN6L/TB40	4mm	Non-flush	NPN NC	10...30VDC	≤200mA	800Hz	-40...70°C	2m cable	Fig.2
Fi2-M12-OP6L-Q12/TB40	2mm	Flush	PNP NO	10...30VDC	≤200mA	1000Hz	-40...70°C	M12 Connector	Fig.3
Fi2-M12-ON6L-Q12/TB40	2mm	Flush	NPN NO	10...30VDC	≤200mA	1000Hz	-40...70°C	M12 Connector	Fig.3
Fi2-M12-CP6L-Q12/TB40	2mm	Flush	PNP NC	10...30VDC	≤200mA	1000Hz	-40...70°C	M12 Connector	Fig.3
Fi2-M12-CN6L-Q12/TB40	2mm	Flush	NPN NC	10...30VDC	≤200mA	1000Hz	-40...70°C	M12 Connector	Fig.3
Ni4-M12-OP6L-Q12/TB40	4mm	Non-flush	PNP NO	10...30VDC	≤200mA	800Hz	-40...70°C	M12 Connector	Fig.4
Ni4-M12-ON6L-Q12/TB40	4mm	Non-flush	NPN NO	10...30VDC	≤200mA	800Hz	-40...70°C	M12 Connector	Fig.4
Ni4-M12-CP6L-Q12/TB40	4mm	Non-flush	PNP NC	10...30VDC	≤200mA	800Hz	-40...70°C	M12 Connector	Fig.4
Ni4-M12-CN6L-Q12/TB40	4mm	Non-flush	NPN NC	10...30VDC	≤200mA	800Hz	-40...70°C	M12 Connector	Fig.4

Dimensions:



Dimensions:



Temperature Extension-Low Temperature-M12

Temperature Extension-Low Temperature-M18



Description:

Brass nickel-plated, threaded barrel, AC/DC 2-wire output, temperature range down to -40°C, IP67 protection class, LED indicator.

See the wiring diagram on page 231-233 for your reference.



Description:

Brass nickel-plated, threaded barrel, DC 2-wire output, temperature range down to -40°C, IP67 protection class, LED indicator.

See the wiring diagram on page 231-233 for your reference.

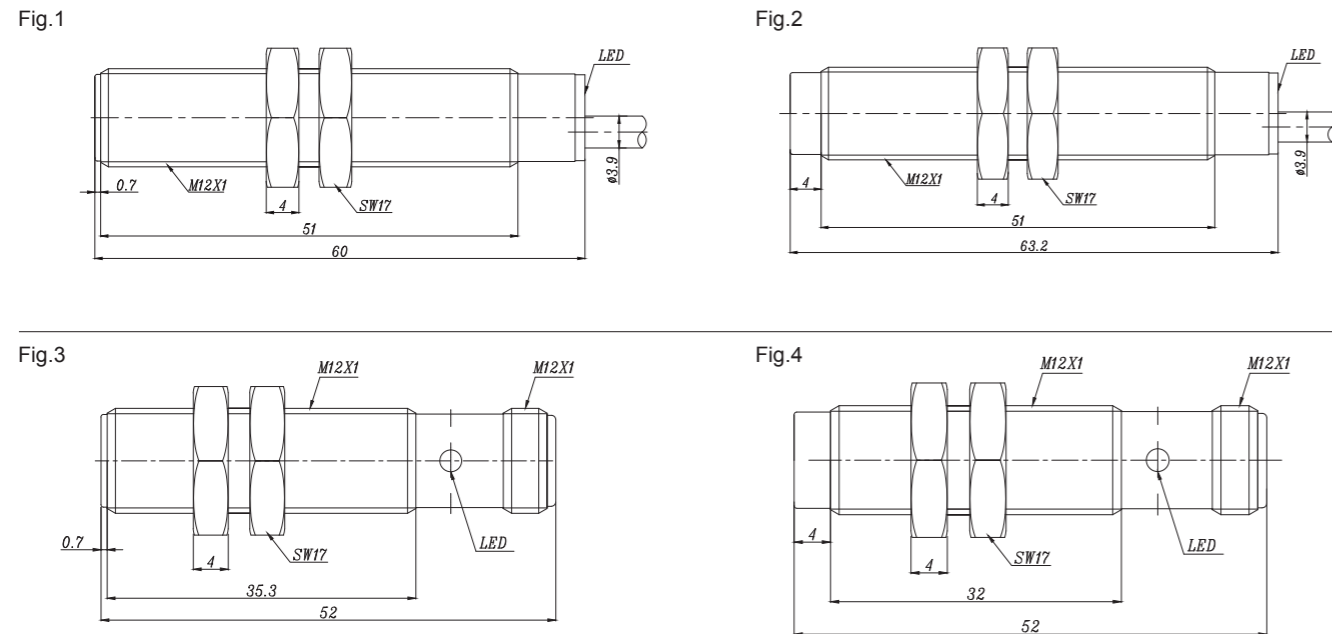
Technical Data:

Type	Rated Operating Distance Sn	Mounting	Output	Voltage Range U _B	Rated Current	Switching Frequency	Ambient Temperature	Connection	Fig
F2-M12-OA41L/TB40	2mm	Flush	DC/AC NO	20...250VAC/DC	DC≤100mA/AC≤200mA	40Hz	-40...70°C	2m cable	Fig.1
F2-M12-CA41L/TB40	2mm	Flush	DC/AC NC	20...250VAC/DC	DC≤100mA/AC≤200mA	40Hz	-40...70°C	2m cable	Fig.1
N4-M12-OA41L/TB40	4mm	Non-flush	DC/AC NO	20...250VAC/DC	DC≤100mA/AC≤200mA	40Hz	-40...70°C	2m cable	Fig.2
N4-M12-CA41L/TB40	4mm	Non-flush	DC/AC NC	20...250VAC/DC	DC≤100mA/AC≤200mA	40Hz	-40...70°C	2m cable	Fig.2
F2-M12-OA41L-Q12/TB40	2mm	Flush	DC/AC NO	20...250VAC/DC	DC≤100mA/AC≤200mA	40Hz	-40...70°C	M12 Connector	Fig.3
F2-M12-CA41L-Q12/TB40	2mm	Flush	DC/AC NC	20...250VAC/DC	DC≤100mA/AC≤200mA	40Hz	-40...70°C	M12 Connector	Fig.3
N4-M12-OA41L-Q12/TB40	4mm	Non-flush	DC/AC NO	20...250VAC/DC	DC≤100mA/AC≤200mA	40Hz	-40...70°C	M12 Connector	Fig.4
N4-M12-CA41L-Q12/TB40	4mm	Non-flush	DC/AC NC	20...250VAC/DC	DC≤100mA/AC≤200mA	40Hz	-40...70°C	M12 Connector	Fig.4

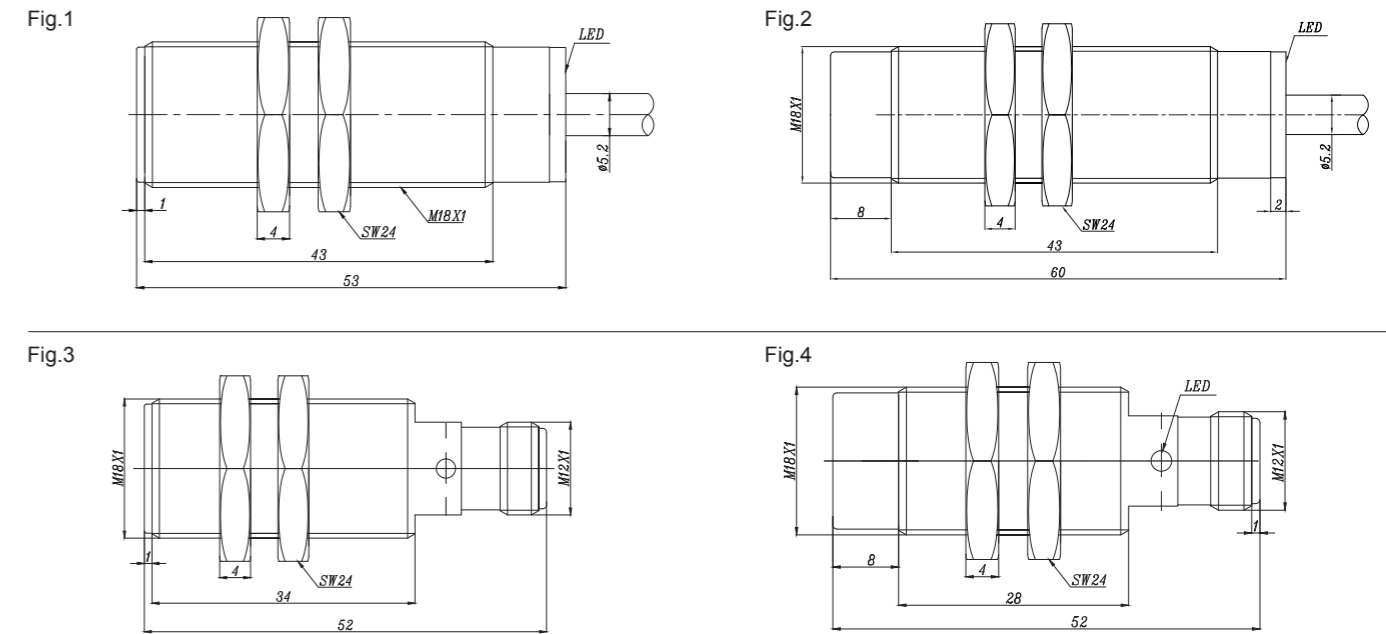
Technical Data:

Type	Rated Operating Distance Sn	Mounting	Output	Voltage Range U _B	Rated Current	Switching Frequency	Ambient Temperature	Connection	Fig
Fi5-M18-OD6L/TB40	5mm	Flush	DC NO	10...30VDC	≤100mA	800Hz	-40...70°C	2m cable	Fig.1
Fi5-M18-CD6L/TB40	5mm	Flush	DC NC	10...30VDC	≤100mA	800Hz	-40...70°C	2m cable	Fig.1
Ni8-M18-OD6L/TB40	8mm	Non-flush	DC NO	10...30VDC	≤100mA	500Hz	-40...70°C	2m cable	Fig.2
Ni8-M18-CD6L/TB40	8mm	Non-flush	DC NC	10...30VDC	≤100mA	500Hz	-40...70°C	2m cable	Fig.2
Fi5-M18-OD6L-Q12/TB40	5mm	Flush	DC NO	10...30VDC	≤100mA	800Hz	-40...70°C	M12 Connector	Fig.3
Fi5-M18-CD6L-Q12/TB40	5mm	Flush	DC NC	10...30VDC	≤100mA	800Hz	-40...70°C	M12 Connector	Fig.3
Ni8-M18-OD6L-Q12/TB40	8mm	Non-flush	DC NO	10...30VDC	≤100mA	500Hz	-40...70°C	M12 Connector	Fig.4
Ni8-M18-CD6L-Q12/TB40	8mm	Non-flush	DC NC	10...30VDC	≤100mA	500Hz	-40...70°C	M12 Connector	Fig.4

Dimensions:



Dimensions:



Temperature Extension-Low Temperature-M18

Temperature Extension-Low Temperature-M18



Description:
 Brass nickel-plated, threaded barrel, DC 3-wire output, temperature range down to -40°C, IP67 protection class, LED indicator.
 See the wiring diagram on page 231-233 for your reference.



Description:
 Brass nickel-plated, threaded barrel, AC/DC 2-wire output, temperature range down to -40°C, IP67 protection class, LED indicator.
 See the wiring diagram on page 231-233 for your reference.

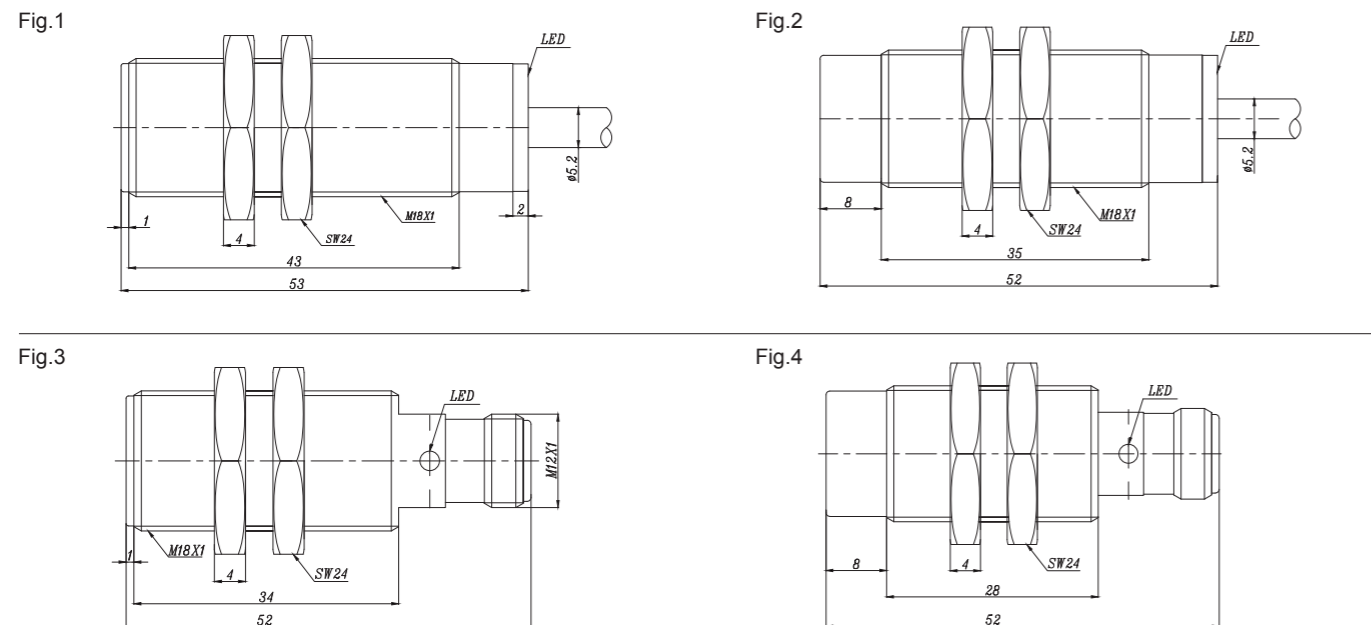
Technical Data:

Type	Rated Operating Distance Sn	Mounting	Output	Voltage Range U _B	Rated Current	Switching Frequency	Ambient Temperature	Connection	Fig
Fi5-M18-OP6L/TB40	5mm	Flush	PNP NO	10...30VDC	≤200mA	800Hz	-40...70°C	2m cable	Fig.1
Fi5-M18-ON6L/TB40	5mm	Flush	NPN NO	10...30VDC	≤200mA	800Hz	-40...70°C	2m cable	Fig.1
Fi5-M18-CP6L/TB40	5mm	Flush	PNP NC	10...30VDC	≤200mA	800Hz	-40...70°C	2m cable	Fig.1
Fi5-M18-CN6L/TB40	5mm	Flush	NPN NC	10...30VDC	≤200mA	800Hz	-40...70°C	2m cable	Fig.1
Ni8-M18-OP6L/TB40	8mm	Non-flush	PNP NO	10...30VDC	≤200mA	500Hz	-40...70°C	2m cable	Fig.2
Ni8-M18-ON6L/TB40	8mm	Non-flush	NPN NO	10...30VDC	≤200mA	500Hz	-40...70°C	2m cable	Fig.2
Ni8-M18-CP6L/TB40	8mm	Non-flush	PNP NC	10...30VDC	≤200mA	500Hz	-40...70°C	2m cable	Fig.2
Ni8-M18-CN6L/TB40	8mm	Non-flush	NPN NC	10...30VDC	≤200mA	500Hz	-40...70°C	2m cable	Fig.2
Fi5-M18-OP6L-Q12/TB40	5mm	Flush	PNP NO	10...30VDC	≤200mA	800Hz	-40...70°C	M12 Connector	Fig.3
Fi5-M18-ON6L-Q12/TB40	5mm	Flush	NPN NO	10...30VDC	≤200mA	800Hz	-40...70°C	M12 Connector	Fig.3
Fi5-M18-CP6L-Q12/TB40	5mm	Flush	PNP NC	10...30VDC	≤200mA	800Hz	-40...70°C	M12 Connector	Fig.3
Fi5-M18-CN6L-Q12/TB40	5mm	Flush	NPN NC	10...30VDC	≤200mA	800Hz	-40...70°C	M12 Connector	Fig.3
Ni8-M18-OP6L-Q12/TB40	8mm	Non-flush	PNP NO	10...30VDC	≤200mA	500Hz	-40...70°C	M12 Connector	Fig.4
Ni8-M18-ON6L-Q12/TB40	8mm	Non-flush	NPN NO	10...30VDC	≤200mA	500Hz	-40...70°C	M12 Connector	Fig.4
Ni8-M18-CP6L-Q12/TB40	8mm	Non-flush	PNP NC	10...30VDC	≤200mA	500Hz	-40...70°C	M12 Connector	Fig.4
Ni8-M18-CN6L-Q12/TB40	8mm	Non-flush	NPN NC	10...30VDC	≤200mA	500Hz	-40...70°C	M12 Connector	Fig.4

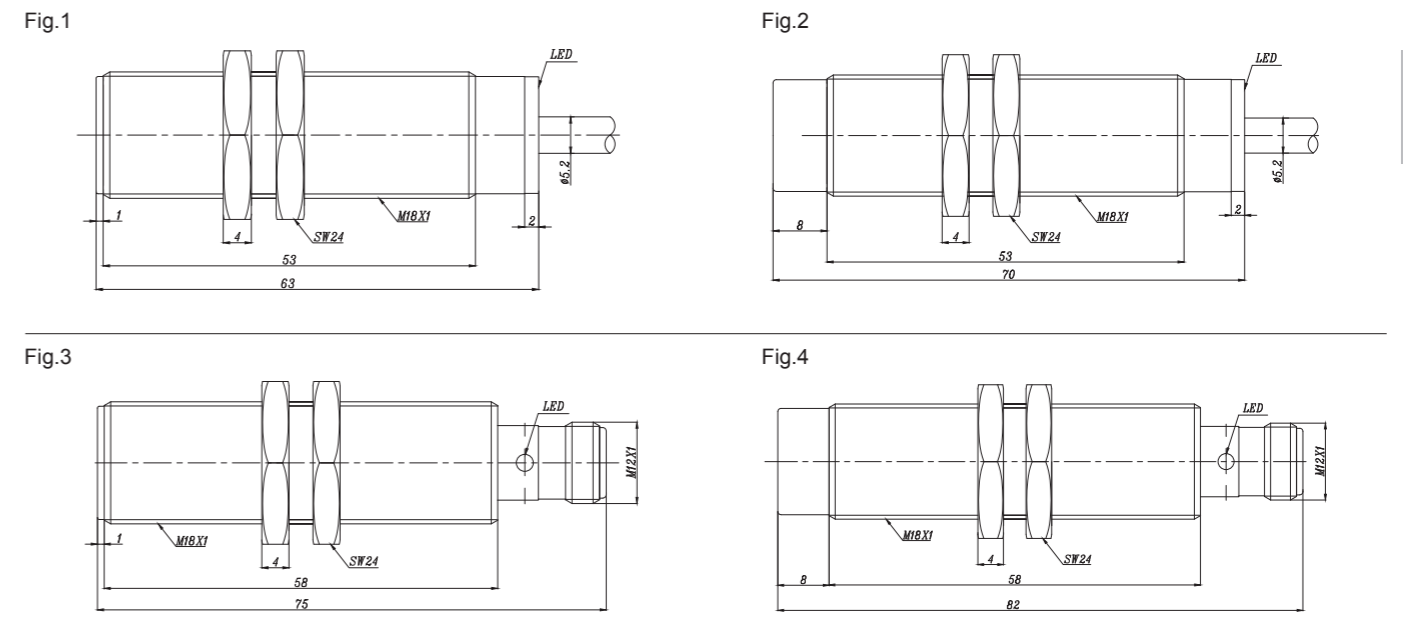
Technical Data:

Type	Rated Operating Distance Sn	Mounting	Output	Voltage Range U _B	Rated Current	Switching Frequency	Ambient Temperature	Connection	Fig
Fi5-M18-OA41L/TB40	5mm	Flush	DC/AC NO	20...250VAC/DC	DC≤100mA/AC≤200mA	40Hz	-40...70°C	2m cable	Fig.1
Fi5-M18-CA41L/TB40	5mm	Flush	DC/AC NC	20...250VAC/DC	DC≤100mA/AC≤200mA	40Hz	-40...70°C	2m cable	Fig.1
Ni8-M18-OA41L/TB40	8mm	Non-flush	DC/AC NO	20...250VAC/DC	DC≤100mA/AC≤200mA	40Hz	-40...70°C	2m cable	Fig.2
Ni8-M18-CA41L/TB40	8mm	Non-flush	DC/AC NC	20...250VAC/DC	DC≤100mA/AC≤200mA	40Hz	-40...70°C	2m cable	Fig.2
Fi5-M18-OA41L-Q12/TB40	5mm	Flush	DC/AC NO	20...250VAC/DC	DC≤100mA/AC≤200mA	40Hz	-40...70°C	M12 Connector	Fig.3
Fi5-M18-CA41L-Q12/TB40	5mm	Flush	DC/AC NC	20...250VAC/DC	DC≤100mA/AC≤200mA	40Hz	-40...70°C	M12 Connector	Fig.3
Ni8-M18-OA41L-Q12/TB40	8mm	Non-flush	DC/AC NO	20...250VAC/DC	DC≤100mA/AC≤200mA	40Hz	-40...70°C	M12 Connector	Fig.4
Ni8-M18-CA41L-Q12/TB40	8mm	Non-flush	DC/AC NC	20...250VAC/DC	DC≤100mA/AC≤200mA	40Hz	-40...70°C	M12 Connector	Fig.4

Dimensions:



Dimensions:



Temperature Extension-Low Temperature-M30

Temperature Extension-Low Temperature-M30



Description:
 Brass nickel-plated, threaded barrel, DC 2-wire output, temperature range down to -40°C, IP67 protection class, LED indicator.
 See the wiring diagram on page 231-233 for your reference.



Description:
 Brass nickel-plated, threaded barrel, DC 3-wire output, temperature range down to -40°C, IP67 protection class, LED indicator.
 See the wiring diagram on page 231-233 for your reference.

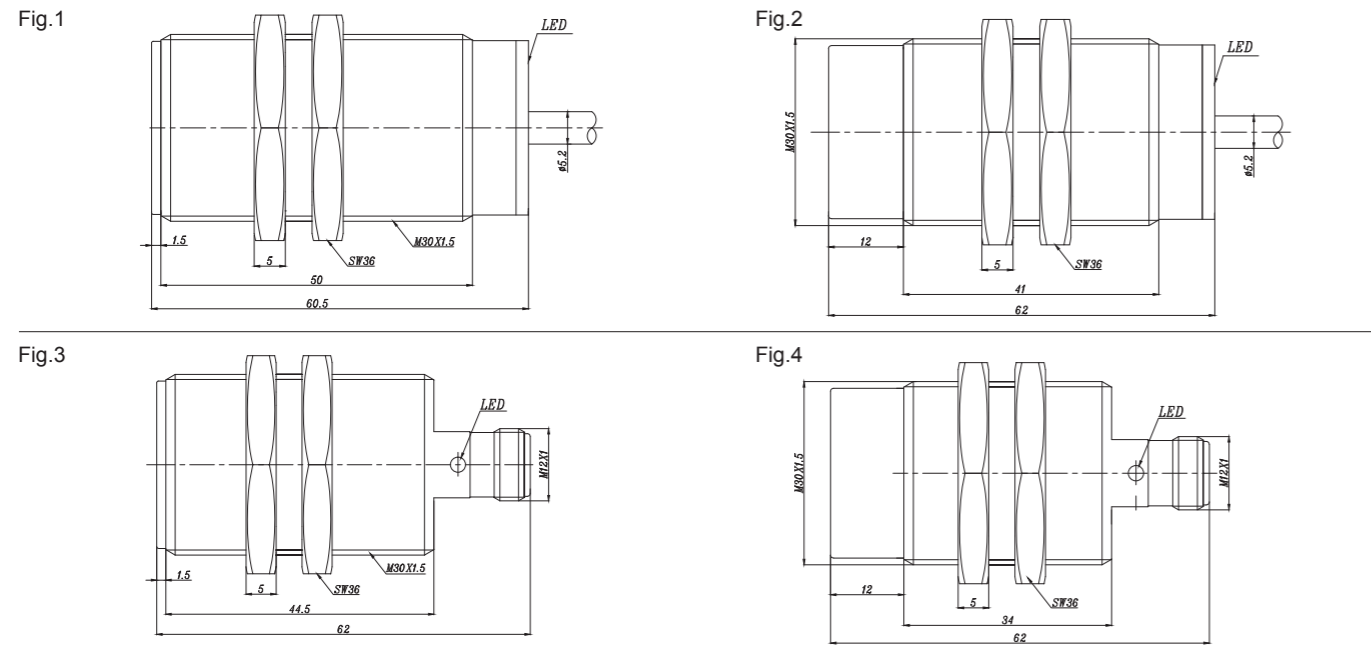
Technical Data:

Type	Rated Operating Distance Sn	Mounting	Output	Voltage Range U _B	Rated Current	Switching Frequency	Ambient Temperature	Connection	Fig
Fi10-M30-OD6L/TB40	10mm	Flush	DC NO	10...30VDC	≤100mA	400Hz	-40...70°C	2m cable	Fig.1
Fi10-M30-CD6L/TB40	10mm	Flush	DC NC	10...30VDC	≤100mA	400Hz	-40...70°C	2m cable	Fig.1
Ni15-M30-OD6L/TB40	15mm	Non-flush	DC NO	10...30VDC	≤100mA	200Hz	-40...70°C	2m cable	Fig.2
Ni15-M30-CD6L/TB40	15mm	Non-flush	DC NC	10...30VDC	≤100mA	200Hz	-40...70°C	2m cable	Fig.2
Fi10-M30-OD6L-Q12/TB40	10mm	Flush	DC NO	10...30VDC	≤100mA	400Hz	-40...70°C	M12 Connector	Fig.3
Fi10-M30-CD6L-Q12/TB40	10mm	Flush	DC NC	10...30VDC	≤100mA	400Hz	-40...70°C	M12 Connector	Fig.3
Ni15-M30-OD6L-Q12/TB40	15mm	Non-flush	DC NO	10...30VDC	≤100mA	200Hz	-40...70°C	M12 Connector	Fig.4
Ni15-M30-CD6L-Q12/TB40	15mm	Non-flush	DC NC	10...30VDC	≤100mA	200Hz	-40...70°C	M12 Connector	Fig.4

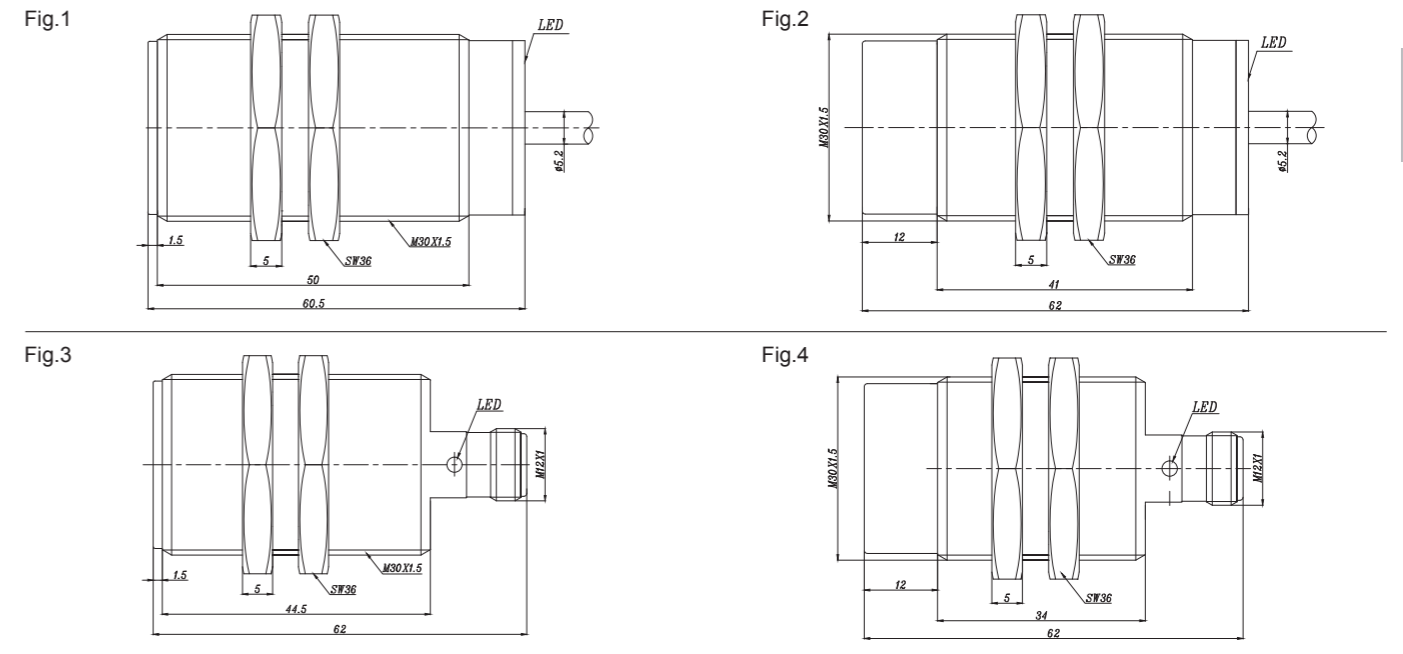
Technical Data:

Type	Rated Operating Distance Sn	Mounting	Output	Voltage Range U _B	Rated Current	Switching Frequency	Ambient Temperature	Connection	Fig
Fi10-M30-OP6L/TB40	10mm	Flush	PNP NO	10...30VDC	≤200mA	400Hz	-40...70°C	2m cable	Fig.1
Fi10-M30-ON6L/TB40	10mm	Flush	NPN NO	10...30VDC	≤200mA	400Hz	-40...70°C	2m cable	Fig.1
Fi10-M30-CP6L/TB40	10mm	Flush	PNP NC	10...30VDC	≤200mA	400Hz	-40...70°C	2m cable	Fig.1
Fi10-M30-CN6L/TB40	10mm	Flush	NPN NC	10...30VDC	≤200mA	400Hz	-40...70°C	2m cable	Fig.1
Ni15-M30-OP6L/TB40	15mm	Non-flush	PNP NO	10...30VDC	≤200mA	200Hz	-40...70°C	2m cable	Fig.2
Ni15-M30-ON6L/TB40	15mm	Non-flush	NPN NO	10...30VDC	≤200mA	200Hz	-40...70°C	2m cable	Fig.2
Ni15-M30-CP6L/TB40	15mm	Non-flush	PNP NC	10...30VDC	≤200mA	200Hz	-40...70°C	2m cable	Fig.2
Ni15-M30-CN6L/TB40	15mm	Non-flush	NPN NC	10...30VDC	≤200mA	200Hz	-40...70°C	2m cable	Fig.2
Fi10-M30-OP6L-Q12/TB40	10mm	Flush	PNP NO	10...30VDC	≤200mA	400Hz	-40...70°C	M12 Connector	Fig.3
Fi10-M30-ON6L-Q12/TB40	10mm	Flush	NPN NO	10...30VDC	≤200mA	400Hz	-40...70°C	M12 Connector	Fig.3
Fi10-M30-CP6L-Q12/TB40	10mm	Flush	PNP NC	10...30VDC	≤200mA	400Hz	-40...70°C	M12 Connector	Fig.3
Fi10-M30-CN6L-Q12/TB40	10mm	Flush	NPN NC	10...30VDC	≤200mA	400Hz	-40...70°C	M12 Connector	Fig.3
Ni15-M30-OP6L-Q12/TB40	15mm	Non-flush	PNP NO	10...30VDC	≤200mA	200Hz	-40...70°C	M12 Connector	Fig.4
Ni15-M30-ON6L-Q12/TB40	15mm	Non-flush	NPN NO	10...30VDC	≤200mA	200Hz	-40...70°C	M12 Connector	Fig.4
Ni15-M30-CP6L-Q12/TB40	15mm	Non-flush	PNP NC	10...30VDC	≤200mA	200Hz	-40...70°C	M12 Connector	Fig.4
Ni15-M30-CN6L-Q12/TB40	15mm	Non-flush	NPN NC	10...30VDC	≤200mA	200Hz	-40...70°C	M12 Connector	Fig.4

Dimensions:



Dimensions:



<< Inductive Sensor

Temperature Extension-Low Temperature-M30



Description:

Brass nickel-plated, threaded barrel, AC/DC 2-wire output, temperature range down to -40°C, IP67 protection class, LED indicator.

See the wiring diagram on page 231-233 for your reference.

Technical Data:

Type	Rated Operating Distance Sn	Mounting	Output	Voltage Range U _s	Rated Current	Switching Frequency	Ambient Temperature	Connection	Fig
F10-M30-OA41L/TB40	10mm	Flush	DC/AC NO	20...250VAC/DC	DC≤100mA/AC≤200mA	40Hz	-40...70°C	2m cable	Fig.1
F10-M30-CA41L/TB40	10mm	Flush	DC/AC NC	20...250VAC/DC	DC≤100mA/AC≤200mA	40Hz	-40...70°C	2m cable	Fig.1
Ni15-M30-OA41L/TB40	15mm	Non-flush	DC/AC NO	20...250VAC/DC	DC≤100mA/AC≤200mA	40Hz	-40...70°C	2m cable	Fig.2
Ni15-M30-CA41L/TB40	15mm	Non-flush	DC/AC NC	20...250VAC/DC	DC≤100mA/AC≤200mA	40Hz	-40...70°C	2m cable	Fig.2
F10-M30-OA41L-Q12/TB40	10mm	Flush	DC/AC NO	20...250VAC/DC	DC≤100mA/AC≤200mA	40Hz	-40...70°C	M12 Connector	Fig.3
F10-M30-CA41L-Q12/TB40	10mm	Flush	DC/AC NC	20...250VAC/DC	DC≤100mA/AC≤200mA	40Hz	-40...70°C	M12 Connector	Fig.3
Ni15-M30-OA41L-Q12/TB40	15mm	Non-flush	DC/AC NO	20...250VAC/DC	DC≤100mA/AC≤200mA	40Hz	-40...70°C	M12 Connector	Fig.4
Ni15-M30-CA41L-Q12/TB40	15mm	Non-flush	DC/AC NC	20...250VAC/DC	DC≤100mA/AC≤200mA	40Hz	-40...70°C	M12 Connector	Fig.4

Dimensions:

Fig.1

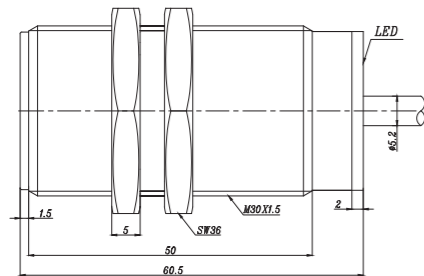


Fig.2

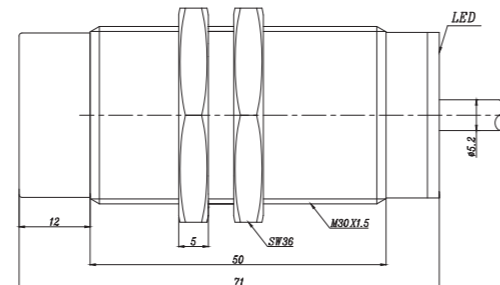


Fig.3

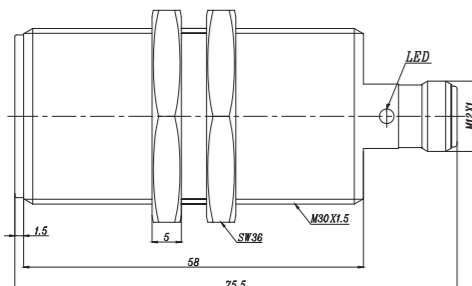
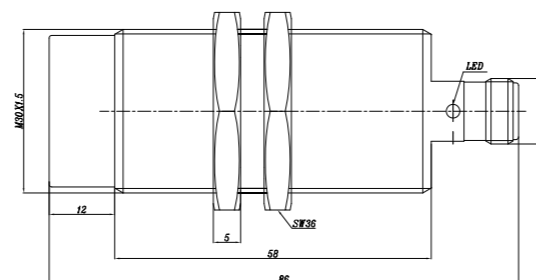


Fig.4



Temperature Extension-Low Temperature-W40



Description:

Plastic housing, rectangular 40x40mm, variable orientation of active face, DC 2-wire output, temperature range down to -40°C, IP67 protection class, power and action LED indicator.

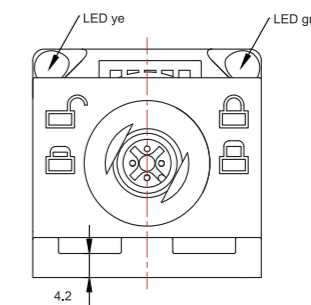
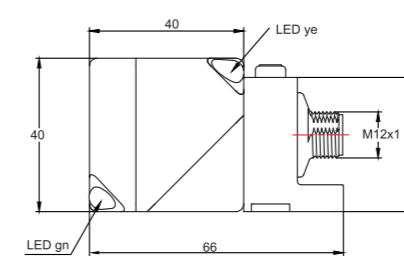
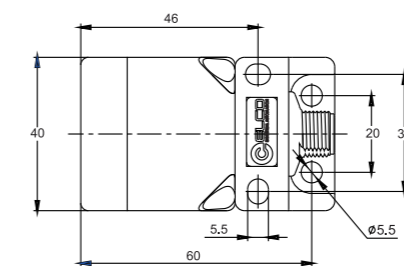
See the wiring diagram on page 231-233 for your reference.

Technical Data:

Type	Rated Operating Distance Sn	Mounting	Output	Voltage Range U _s	Rated Current	Switching Frequency	Ambient Temperature	Connection	Fig
Fi20-W40-OD6L-Q12/TB40	20mm	Flush	DC NO	10...30VDC	≤100mA	100Hz	-40...70°C	M12 Connector	Fig.1
Fi20-W40-OD9L-Q12/TB40	20mm	Flush	DC NC	10...30VDC	≤100mA	100Hz	-40...70°C	M12 Connector	Fig.1
Fi20-W40-CD9L-Q12/TB40	20mm	Flush	DC NO	10...30VDC	≤100mA	100Hz	-40...70°C	M12 Connector	Fig.1
Fi20-W40-CD6L-Q12/TB40	20mm	Flush	DC NC	10...30VDC	≤100mA	100Hz	-40...70°C	M12 Connector	Fig.1
Ni30-W40-CD6L-Q12/TB40	30mm	Non-flush	DC NO	10...30VDC	≤100mA	150Hz	-40...70°C	M12 Connector	Fig.1
Ni30-W40-OD6L-Q12/TB40	30mm	Non-flush	DC NC	10...30VDC	≤100mA	150Hz	-40...70°C	M12 Connector	Fig.1
Ni30-W40-CD9L-Q12/TB40	30mm	Non-flush	DC NO	10...30VDC	≤100mA	150Hz	-40...70°C	M12 Connector	Fig.1
Ni30-W40-OD9L-Q12/TB40	30mm	Non-flush	DC NC	10...30VDC	≤100mA	150Hz	-40...70°C	M12 Connector	Fig.1

Dimensions:

Fig.1



<< Inductive Sensor

Temperature Extension-Low Temperature-W40



Description:

Plastic housing, rectangular 40x40mm, variable orientation of active face, DC 3/4-wire output, temperature range down to -40°C, IP67 protection class, power and action LED indicator.

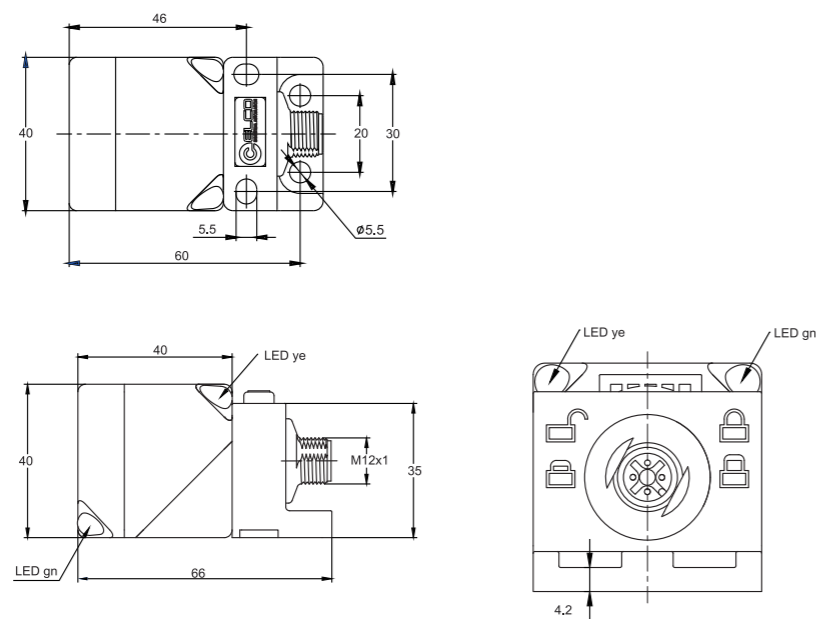
See the wiring diagram on page 231-233 for your reference.

Technical Data:

Type	Rated Operating Distance Sn	Mounting	Output	Voltage Range U _B	Rated Current	Switching Frequency	Ambient Temperature	Connection	Fig
Fi20-W40-ON6L-Q12/TB40	20mm	Flush	NPN NO	10...30VDC	≤200mA	150Hz	-40...70°C	M12 Connector	Fig.1
Fi20-W40-CN6L-Q12/TB40	20mm	Flush	NPN NC	10...30VDC	≤200mA	150Hz	-40...70°C	M12 Connector	Fig.1
Fi20-W40-BN6L-Q12/TB40	20mm	Flush	NPN NO+NC	10...30VDC	≤200mA	150Hz	-40...70°C	M12 Connector	Fig.1
Fi20-W40-OP6L-Q12/TB40	20mm	Flush	PNP NO	10...30VDC	≤200mA	150Hz	-40...70°C	M12 Connector	Fig.1
Fi20-W40-CP6L-Q12/TB40	20mm	Flush	PNP NC	10...30VDC	≤200mA	150Hz	-40...70°C	M12 Connector	Fig.1
Fi20-W40-BP6L-Q12/TB40	20mm	Flush	PNP NO+NC	10...30VDC	≤200mA	150Hz	-40...70°C	M12 Connector	Fig.1
Ni30-W40-ON6L-Q12/TB40	30mm	Non-flush	NPN NO	10...30VDC	≤200mA	100Hz	-40...70°C	M12 Connector	Fig.1
Ni30-W40-CN6L-Q12/TB40	30mm	Non-flush	NPN NC	10...30VDC	≤200mA	100Hz	-40...70°C	M12 Connector	Fig.1
Ni30-W40-BN6L-Q12/TB40	30mm	Non-flush	NPN NO+NC	10...30VDC	≤200mA	100Hz	-40...70°C	M12 Connector	Fig.1
Ni30-W40-OP6L-Q12/TB40	30mm	Non-flush	PNP NO	10...30VDC	≤200mA	100Hz	-40...70°C	M12 Connector	Fig.1
Ni30-W40-CP6L-Q12/TB40	30mm	Non-flush	PNP NC	10...30VDC	≤200mA	100Hz	-40...70°C	M12 Connector	Fig.1
Ni30-W40-BP6L-Q12/TB40	30mm	Non-flush	PNP NO+NC	10...30VDC	≤200mA	100Hz	-40...70°C	M12 Connector	Fig.1

Dimensions:

Fig.1



Temperature Extension-Low Temperature-W40



Description:

Plastic housing, rectangular 40x40mm, variable orientation of active face, AC/DC 2-wire output, temperature range down to -40°C, IP67 protection class, power and action LED indicator.

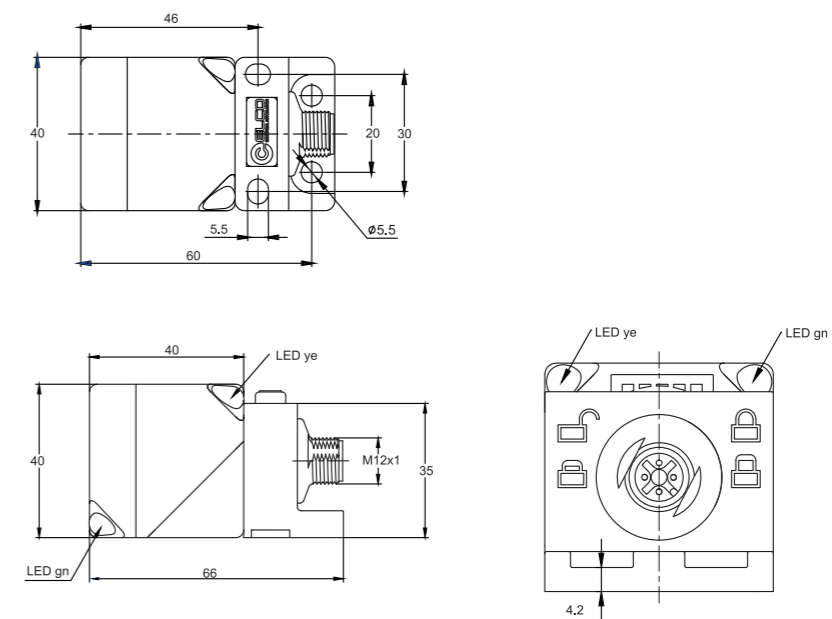
See the wiring diagram on page 231-233 for your reference.

Technical Data:

Type	Rated Operating Distance Sn	Mounting	Output	Voltage Range U _B	Rated Current	Switching Frequency	Ambient Temperature	Connection	Fig
Fi20-W40-OA41L-Q12/TB40	20mm	Flush	DC/AC NO	20...250VAC/DC	DC≤100mA/AC≤200mA	20Hz	-40...70°C	M12 Connector	Fig.1
Fi20-W40-CA41L-Q12/TB40	20mm	Flush	DC/AC NO	20...250VAC/DC	DC≤100mA/AC≤200mA	20Hz	-40...70°C	M12 Connector	Fig.1
Ni30-W40-OA41L-Q12/TB40	30mm	Non-flush	DC/AC NC	20...250VAC/DC	DC≤100mA/AC≤200mA	20Hz	-40...70°C	M12 Connector	Fig.1
Ni30-W40-CA41L-Q12/TB40	30mm	Non-flush	DC/AC NC	20...250VAC/DC	DC≤100mA/AC≤200mA	20Hz	-40...70°C	M12 Connector	Fig.1

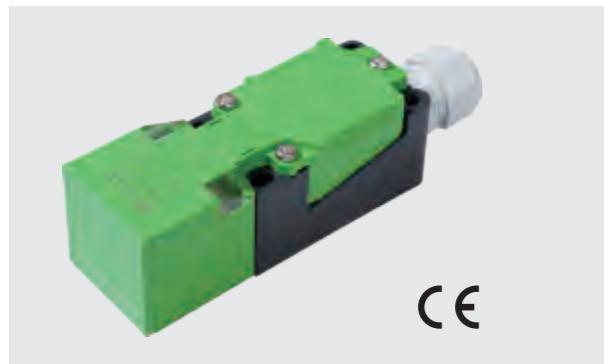
Dimensions:

Fig.1



<< Inductive Sensor

Temperature Extension-Low Temperature-WL40



Description:

Plastic housing, rectangular 40x40x118mm, variable orientation of active face, DC 2-wire output, temperature range down to -40°C, IP67 protection class, power and action LED indicator.

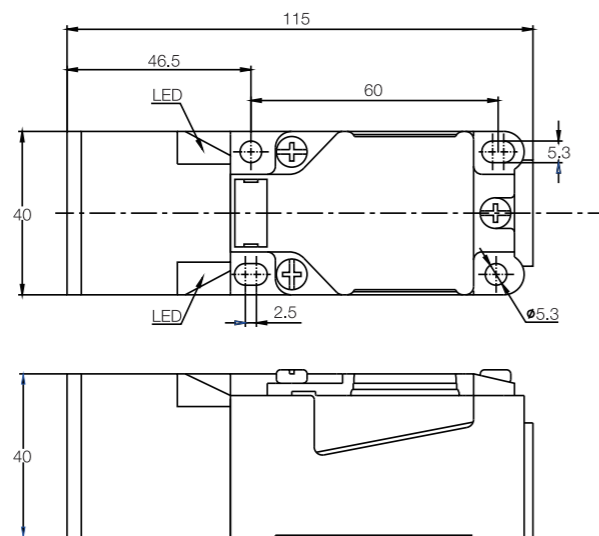
See the wiring diagram on page 231-233 for your reference.

Technical Data:

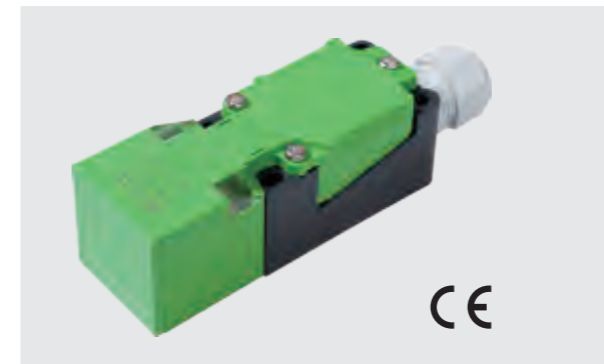
Type	Rated Operating Distance Sn	Mounting	Output	Voltage Range U _B	Rated Current	Switching Frequency	Ambient Temperature	Connection	Fig
Fi15-WL40-OD6L-Q/TB40	15mm	Flush	DC NO	10...30VDC	≤100mA	150Hz	-40...70°C	Terminal	Fig.1
Ni20-WL40-OD6L-Q/TB40	20mm	Non-flush	DC NO	10...30VDC	≤100mA	150Hz	-40...70°C	Terminal	Fig.1
Fi15-WL40-CD6L-Q/TB40	15mm	Flush	DC NC	10...30VDC	≤100mA	150Hz	-40...70°C	Terminal	Fig.1
Ni20-WL40-CD6L-Q/TB40	20mm	Non-flush	DC NC	10...30VDC	≤100mA	150Hz	-40...70°C	Terminal	Fig.1
Fi15-WL40-OD9L-Q/TB40	15mm	Flush	DC NO	10...60VDC	≤100mA	150Hz	-40...70°C	Terminal	Fig.1
Ni20-WL40-OD9L-Q/TB40	20mm	Non-flush	DC NO	10...60VDC	≤100mA	150Hz	-40...70°C	Terminal	Fig.1
Fi15-WL40-CD9L-Q/TB40	15mm	Flush	DC NC	10...60VDC	≤100mA	150Hz	-40...70°C	Terminal	Fig.1
Ni20-WL40-CD9L-Q/TB40	20mm	Non-flush	DC NC	10...60VDC	≤100mA	150Hz	-40...70°C	Terminal	Fig.1

Dimensions:

Fig.1



Temperature Extension-Low Temperature-WL40



Description:

Plastic housing, rectangular 40x40x118mm, variable orientation of active face, DC 3/4-wire output, temperature range down to -40°C, IP67 protection class, power and action LED indicator.

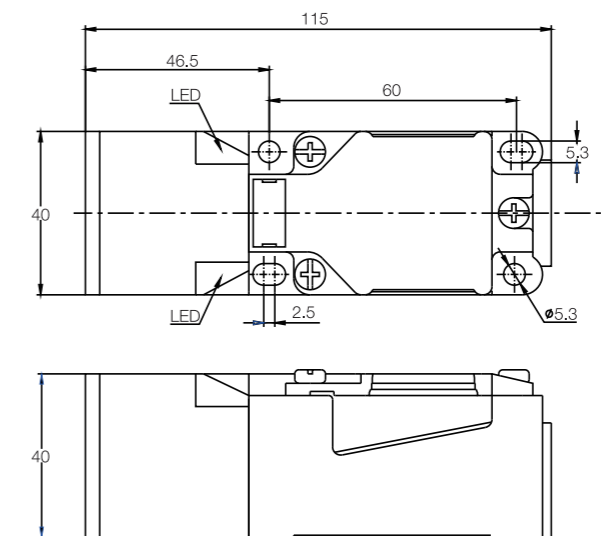
See the wiring diagram on page 231-233 for your reference.

Technical Data:

Type	Rated Operating Distance Sn	Mounting	Output	Voltage Range U _B	Rated Current	Switching Frequency	Ambient Temperature	Connection	Fig
Fi15-WL40-ON6L-Q/TB40	15mm	Flush	NPN NO	10...30VDC	≤200mA	150Hz	-40...70°C	Terminal	Fig.1
Fi15-WL40-CN6L-Q/TB40	15mm	Flush	NPN NC	10...30VDC	≤200mA	150Hz	-40...70°C	Terminal	Fig.1
Fi15-WL40-BN6L-Q/TB40	15mm	Flush	NPN NO+NC	10...30VDC	≤200mA	150Hz	-40...70°C	Terminal	Fig.1
Fi15-WL40-OP6L-Q/TB40	15mm	Flush	PNP NO	10...30VDC	≤200mA	150Hz	-40...70°C	Terminal	Fig.1
Fi15-WL40-CP6L-Q/TB40	15mm	Flush	PNP NC	10...30VDC	≤200mA	150Hz	-40...70°C	Terminal	Fig.1
Fi15-WL40-BP6L-Q/TB40	15mm	Flush	PNP NO+NC	10...30VDC	≤200mA	150Hz	-40...70°C	Terminal	Fig.1
Ni20-WL40-ON6L-Q/TB40	20mm	Non-flush	NPN NO	10...30VDC	≤200mA	150Hz	-40...70°C	Terminal	Fig.1
Ni20-WL40-CN6L-Q/TB40	20mm	Non-flush	NPN NC	10...30VDC	≤200mA	150Hz	-40...70°C	Terminal	Fig.1
Ni20-WL40-BN6L-Q/TB40	20mm	Non-flush	NPN NO+NC	10...30VDC	≤200mA	150Hz	-40...70°C	Terminal	Fig.1
Ni20-WL40-OP6L-Q/TB40	20mm	Non-flush	PNP NO	10...30VDC	≤200mA	150Hz	-40...70°C	Terminal	Fig.1
Ni20-WL40-CP6L-Q/TB40	20mm	Non-flush	PNP NC	10...30VDC	≤200mA	150Hz	-40...70°C	Terminal	Fig.1
Ni20-WL40-BP6L-Q/TB40	20mm	Non-flush	PNP NO+NC	10...30VDC	≤200mA	150Hz	-40...70°C	Terminal	Fig.1

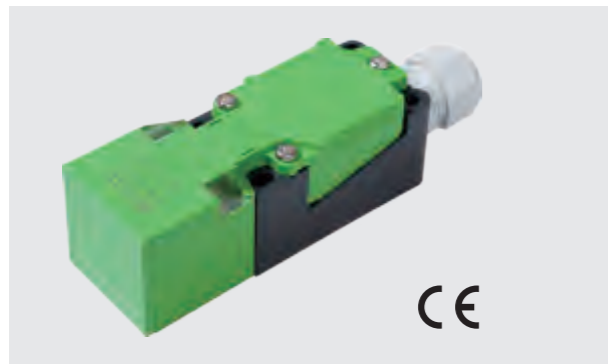
Dimensions:

Fig.1



<< Inductive Sensor

Temperature Extension-Low Temperature-WL40



Description:

Plastic housing, rectangular 40x40x118mm, variable orientation of active face, AC/DC 2-wire output, temperature range down to -40°C, IP67 protection class, power and action LED indicator.

See the wiring diagram on page 231-233 for your reference.

Temperature Extension-Low Temperature-W80



Description:

Plastic housing, rectangular 80x80mm, DC 2-wire output, wide voltage range, temperature range down to -40°C, IP67 protection class, power and action LED indicator.

See the wiring diagram on page 231-233 for your reference.

Technical Data:

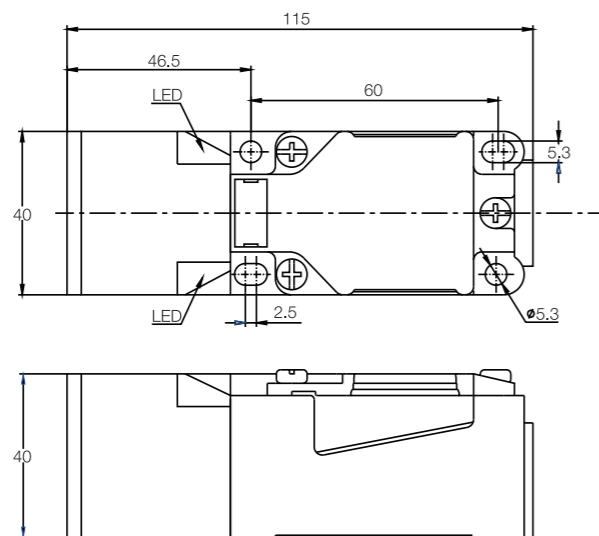
Type	Rated Operating Distance Sn	Mounting	Output	Voltage Range U _B	Rated Current	Switching Frequency	Ambient Temperature	Connection	Fig
Fi15-WL40-OA41L-Q/TB40	15mm	Flush	DC/AC NO	20...250VAC/DC	DC≤100mA/AC≤200mA	20Hz	-40...70°C	Terminal	Fig.1
Ni20-WL40-OA41L-Q/TB40	20mm	Non-flush	DC/AC NC	20...250VAC/DC	DC≤100mA/AC≤200mA	20Hz	-40...70°C	Terminal	Fig.1
Fi15-WL40-VA41L-Q/TB40	15mm	Flush	DC/AC NO/NC	20...250VAC/DC	DC≤100mA/AC≤200mA	20Hz	-40...70°C	Terminal	Fig.1
Ni20-WL40-VA41L-Q/TB40	20mm	Non-flush	DC/AC NO/NC	20...250VAC/DC	DC≤100mA/AC≤200mA	20Hz	-40...70°C	Terminal	Fig.1

Technical Data:

Type	Rated Operating Distance Sn	Mounting	Output	Voltage Range U _B	Rated Current	Switching Frequency	Ambient Temperature	Connection	Fig
Fi40-W80-OD6L-Q/TB40	40mm	Flush	DC NO	10...30VDC	≤100mA	50Hz	-40...70°C	Terminal	Fig.1
Ni50-W80-OD6L-Q/TB40	50mm	Non-flush	DC NO	10...30VDC	≤100mA	30Hz	-40...70°C	Terminal	Fig.1
Fi40-W80-CD6L-Q/TB40	40mm	Flush	DC NC	10...30VDC	≤100mA	50Hz	-40...70°C	Terminal	Fig.1
Ni50-W80-CD6L-Q/TB40	50mm	Non-flush	DC NC	10...30VDC	≤100mA	30Hz	-40...70°C	Terminal	Fig.1
Fi40-W80-OD6L-Q12/TB40	40mm	Flush	DC NO	10...30VDC	≤100mA	50Hz	-40...70°C	M12 Connector	Fig.2
Ni50-W80-OD6L-Q12/TB40	50mm	Non-flush	DC NO	10...30VDC	≤100mA	30Hz	-40...70°C	M12 Connector	Fig.2
Fi40-W80-CD6L-Q12/TB40	40mm	Flush	DC NC	10...30VDC	≤100mA	50Hz	-40...70°C	M12 Connector	Fig.2
Ni50-W80-CD6L-Q12/TB40	50mm	Non-flush	DC NC	10...30VDC	≤100mA	30Hz	-40...70°C	M12 Connector	Fig.2
Fi40-W80-OD9L-Q/TB40	40mm	Flush	DC NO	10...60VDC	≤100mA	50Hz	-40...70°C	Terminal	Fig.1
Ni50-W80-OD9L-Q/TB40	50mm	Non-flush	DC NO	10...60VDC	≤100mA	30Hz	-40...70°C	Terminal	Fig.1
Fi40-W80-CD9L-Q/TB40	40mm	Flush	DC NC	10...60VDC	≤100mA	50Hz	-40...70°C	Terminal	Fig.1
Ni50-W80-CD9L-Q/TB40	50mm	Non-flush	DC NC	10...60VDC	≤100mA	30Hz	-40...70°C	Terminal	Fig.1
Fi40-W80-OD9L-Q12/TB40	40mm	Flush	DC NO	10...60VDC	≤100mA	50Hz	-40...70°C	M12 Connector	Fig.2
Ni50-W80-OD9L-Q12/TB40	50mm	Non-flush	DC NO	10...60VDC	≤100mA	30Hz	-40...70°C	M12 Connector	Fig.2
Fi40-W80-CD9L-Q12/TB40	40mm	Flush	DC NC	10...60VDC	≤100mA	50Hz	-40...70°C	M12 Connector	Fig.2
Ni50-W80-CD9L-Q12/TB40	50mm	Non-flush	DC NC	10...60VDC	≤100mA	30Hz	-40...70°C	M12 Connector	Fig.2

Dimensions:

Fig.1



Dimensions:

Fig.1

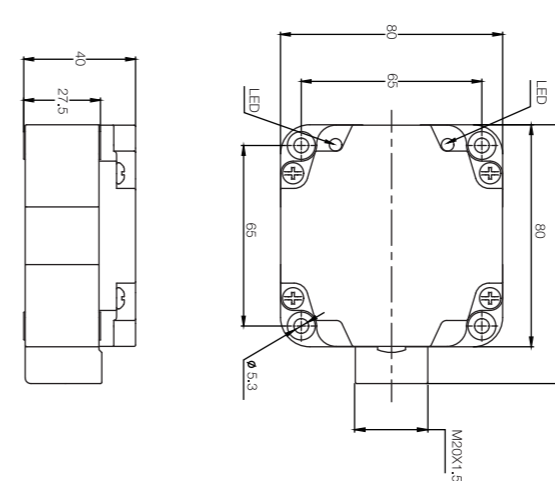
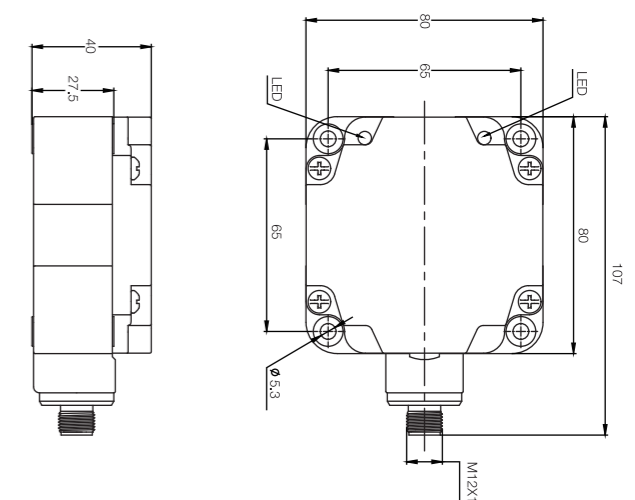


Fig.2



<< Inductive Sensor

Temperature Extension-Low Temperature-W80



Description:

Plastic housing, rectangular 80x80mm, DC 3/4-wire output, temperature range down to -40°C, IP67 protection class, power and action LED indicator.

See the wiring diagram on page 231-233 for your reference.

Temperature Extension-Low Temperature-W80



Description:

Plastic housing, rectangular 80x80mm, DC 3/4-wire output, temperature range down to -40°C, IP67 protection class, power and action LED indicator.

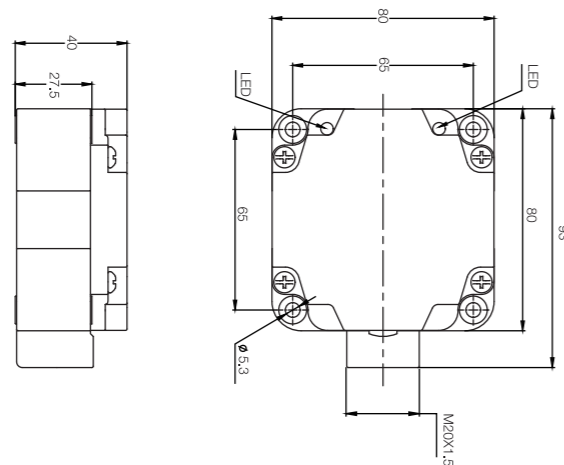
See the wiring diagram on page 231-233 for your reference.

Technical Data:

Type	Rated Operating Distance Sn	Mounting	Output	Voltage Range U _B	Rated Current	Switching Frequency	Ambient Temperature	Connection	Fig
Fi40-W80-ON6L-Q/TB40	40mm	Flush	NPN NO	10...30VDC	≤200mA	50Hz	-40...70°C	Terminal	Fig.1
Fi40-W80-CN6L-Q/TB40	40mm	Flush	NPN NC	10...30VDC	≤200mA	50Hz	-40...70°C	Terminal	Fig.1
Fi40-W80-BN6L-Q/TB40	40mm	Flush	NPN NO+NC	10...30VDC	≤200mA	50Hz	-40...70°C	Terminal	Fig.1
Fi40-W80-OP6L-Q/TB40	40mm	Flush	PNP NO	10...30VDC	≤200mA	50Hz	-40...70°C	Terminal	Fig.1
Fi40-W80-CP6L-Q/TB40	40mm	Flush	PNP NC	10...30VDC	≤200mA	50Hz	-40...70°C	Terminal	Fig.1
Fi40-W80-BP6L-Q/TB40	40mm	Flush	PNP NO+NC	10...30VDC	≤200mA	50Hz	-40...70°C	Terminal	Fig.1
Ni50-W80-ON6L-Q/TB40	50mm	Non-flush	NPN NO	10...30VDC	≤200mA	30Hz	-40...70°C	Terminal	Fig.1
Ni50-W80-CN6L-Q/TB40	50mm	Non-flush	NPN NC	10...30VDC	≤200mA	30Hz	-40...70°C	Terminal	Fig.1
Ni50-W80-BN6L-Q/TB40	50mm	Non-flush	NPN NO+NC	10...30VDC	≤200mA	30Hz	-40...70°C	Terminal	Fig.1
Ni50-W80-OP6L-Q/TB40	50mm	Non-flush	PNP NO	10...30VDC	≤200mA	30Hz	-40...70°C	Terminal	Fig.1
Ni50-W80-CP6L-Q/TB40	50mm	Non-flush	PNP NC	10...30VDC	≤200mA	30Hz	-40...70°C	Terminal	Fig.1
Ni50-W80-BP6L-Q/TB40	50mm	Non-flush	PNP NO+NC	10...30VDC	≤200mA	30Hz	-40...70°C	Terminal	Fig.1

Dimensions:

Fig.1

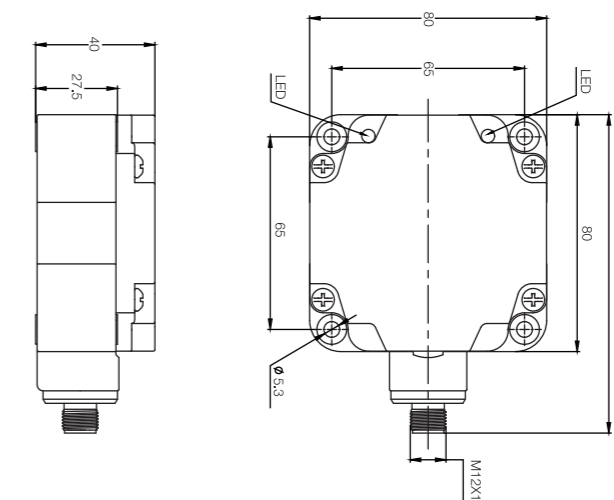


Technical Data:

Type	Rated Operating Distance Sn	Mounting	Output	Voltage Range U _B	Rated Current	Switching Frequency	Ambient Temperature	Connection	Fig
Fi40-W80-ON6L-Q12/TB40	40mm	Flush	NPN NO	10...30VDC	≤200mA	50Hz	-40...70°C	Terminal	Fig.1
Fi40-W80-CN6L-Q12/TB40	40mm	Flush	NPN NC	10...30VDC	≤200mA	50Hz	-40...70°C	Terminal	Fig.1
Fi40-W80-BN6L-Q12/TB40	40mm	Flush	NPN NO+NC	10...30VDC	≤200mA	50Hz	-40...70°C	Terminal	Fig.1
Fi40-W80-OP6L-Q12/TB40	40mm	Flush	PNP NO	10...30VDC	≤200mA	50Hz	-40...70°C	Terminal	Fig.1
Fi40-W80-CP6L-Q12/TB40	40mm	Flush	PNP NC	10...30VDC	≤200mA	50Hz	-40...70°C	Terminal	Fig.1
Fi40-W80-BP6L-Q12/TB40	40mm	Flush	PNP NO+NC	10...30VDC	≤200mA	50Hz	-40...70°C	Terminal	Fig.1
Ni50-W80-ON6L-Q12/TB40	50mm	Non-flush	NPN NO	10...30VDC	≤200mA	30Hz	-40...70°C	Terminal	Fig.1
Ni50-W80-CN6L-Q12/TB40	50mm	Non-flush	NPN NC	10...30VDC	≤200mA	30Hz	-40...70°C	Terminal	Fig.1
Ni50-W80-BN6L-Q12/TB40	50mm	Non-flush	NPN NO+NC	10...30VDC	≤200mA	30Hz	-40...70°C	Terminal	Fig.1
Ni50-W80-OP6L-Q12/TB40	50mm	Non-flush	PNP NO	10...30VDC	≤200mA	30Hz	-40...70°C	Terminal	Fig.1
Ni50-W80-CP6L-Q12/TB40	50mm	Non-flush	PNP NC	10...30VDC	≤200mA	30Hz	-40...70°C	Terminal	Fig.1
Ni50-W80-BP6L-Q12/TB40	50mm	Non-flush	PNP NO+NC	10...30VDC	≤200mA	30Hz	-40...70°C	Terminal	Fig.1

Dimensions:

Fig.1





Description:

Plastic housing, rectangular 80x80mm, AC/DC 2-wire output, temperature range down to -40°C, IP67 protection class, power and action LED indicator.

See the wiring diagram on page 231-233 for your reference.

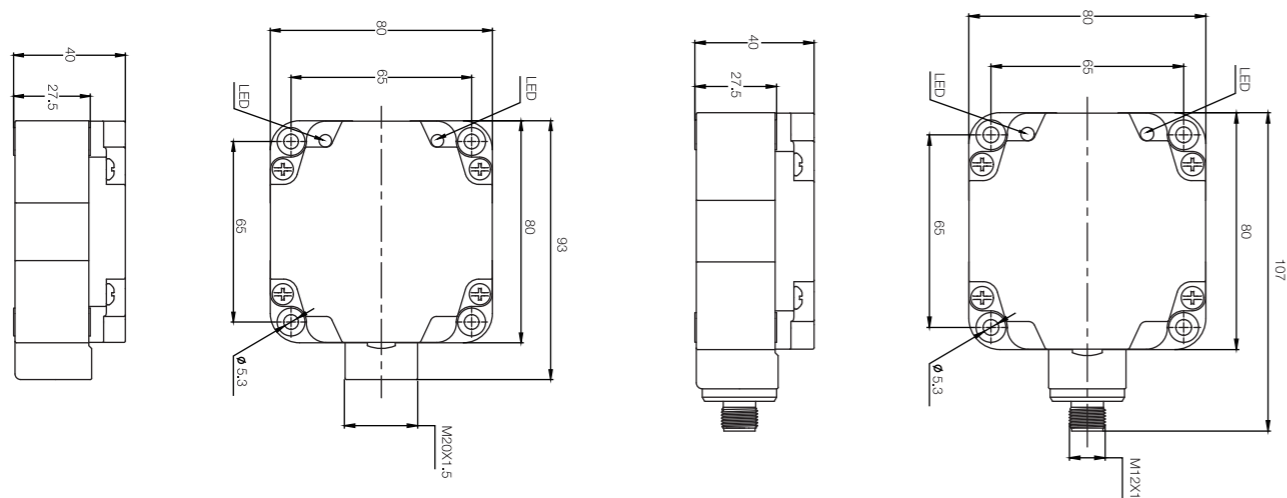
Technical Data:

Type	Rated Operating Distance Sn	Mounting	Output	Voltage Range U _b	Rated Current	Switching Frequency	Ambient Temperature	Connection	Fig
Fi40-W80-OA41L-Q/TB40	40mm	Flush	DC/AC NO	20...250VAC/DC	DC≤100mA/AC≤200mA	20Hz	-40...70°C	Terminal	Fig.1
Fi40-W80-CA41L-Q/TB40	40mm	Flush	DC/AC NC	20...250VAC/DC	DC≤100mA/AC≤200mA	20Hz	-40...70°C	Terminal	Fig.1
Fi40-W80-VA41L-Q/TB40	40mm	Flush	DC/AC NO+NC	20...250VAC/DC	DC≤100mA/AC≤200mA	20Hz	-40...70°C	Terminal	Fig.1
Ni50-W80-OA41L-Q/TB40	50mm	Non-flush	DC/AC NO	20...250VAC/DC	DC≤100mA/AC≤200mA	20Hz	-40...70°C	Terminal	Fig.1
Ni50-W80-CA41L-Q/TB40	50mm	Non-flush	DC/AC NC	20...250VAC/DC	DC≤100mA/AC≤200mA	20Hz	-40...70°C	Terminal	Fig.1
Ni50-W80-VA41L-Q/TB40	50mm	Non-flush	DC/AC NO+NC	20...250VAC/DC	DC≤100mA/AC≤200mA	20Hz	-40...70°C	Terminal	Fig.1
Fi40-W80-OA41L-Q12/TB40	40mm	Flush	DC/AC NO	20...250VAC/DC	DC≤100mA/AC≤200mA	20Hz	-40...70°C	M12 Connector	Fig.2
Fi40-W80-CA41L-Q12/TB40	40mm	Flush	DC/AC NC	20...250VAC/DC	DC≤100mA/AC≤200mA	20Hz	-40...70°C	M12 Connector	Fig.2
Fi40-W80-VA41L-Q12/TB40	40mm	Flush	DC/AC NO+NC	20...250VAC/DC	DC≤100mA/AC≤200mA	20Hz	-40...70°C	M12 Connector	Fig.2
Ni50-W80-OA41L-Q12/TB40	50mm	Non-flush	DC/AC NO	20...250VAC/DC	DC≤100mA/AC≤200mA	20Hz	-40...70°C	M12 Connector	Fig.2
Ni50-W80-CA41L-Q12/TB40	50mm	Non-flush	DC/AC NC	20...250VAC/DC	DC≤100mA/AC≤200mA	20Hz	-40...70°C	M12 Connector	Fig.2
Ni50-W80-VA41L-Q12/TB40	50mm	Non-flush	DC/AC NO+NC	20...250VAC/DC	DC≤100mA/AC≤200mA	20Hz	-40...70°C	M12 Connector	Fig.2

Dimensions:

Fig.1

Fig.2



Description:

Plastic housing, rectangular 80x80mm, DC 2-wire output, wide voltage range, temperature range down to -40°C, IP67 protection class, power and action LED indicator.

See the wiring diagram on page 231-233 for your reference.

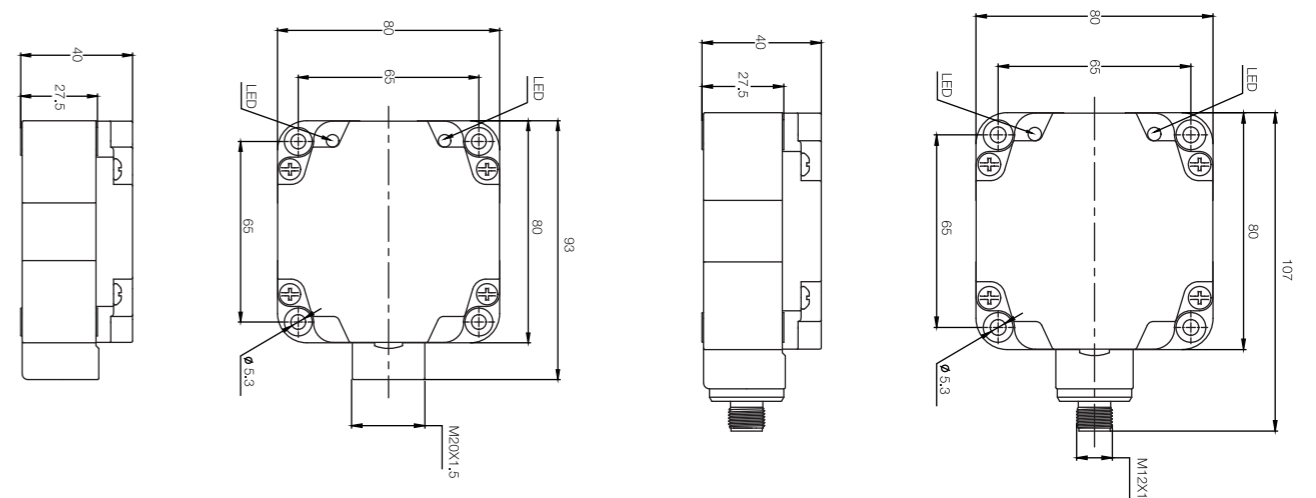
Technical Data:

Type	Rated Operating Distance Sn	Mounting	Output	Voltage Range U _b	Rated Current	Switching Frequency	Ambient Temperature	Connection	Fig
Fi50-W80-OD6L-Q/TB40	50mm	Flush	DC NO	10...30VDC	≤100mA	50Hz	-40...70°C	Terminal	Fig.1
Ni70-W80-OD6L-Q/TB40	70mm	Non-flush	DC NO	10...30VDC	≤100mA	30Hz	-40...70°C	Terminal	Fig.1
Fi50-W80-CD6L-Q/TB40	50mm	Flush	DC NC	10...30VDC	≤100mA	50Hz	-40...70°C	Terminal	Fig.1
Ni70-W80-CD6L-Q/TB40	70mm	Non-flush	DC NC	10...30VDC	≤100mA	30Hz	-40...70°C	Terminal	Fig.1
Fi50-W80-OD6L-Q12/TB40	50mm	Flush	DC NO	10...30VDC	≤100mA	50Hz	-40...70°C	M12 Connector	Fig.2
Ni70-W80-OD6L-Q12/TB40	70mm	Non-flush	DC NO	10...30VDC	≤100mA	30Hz	-40...70°C	M12 Connector	Fig.2
Fi50-W80-CD6L-Q12/TB40	50mm	Flush	DC NC	10...30VDC	≤100mA	50Hz	-40...70°C	M12 Connector	Fig.2
Ni70-W80-CD6L-Q12/TB40	70mm	Non-flush	DC NC	10...30VDC	≤100mA	30Hz	-40...70°C	M12 Connector	Fig.2
Fi50-W80-OD9L-Q/TB40	50mm	Flush	DC NO	10...60VDC	≤100mA	50Hz	-40...70°C	Terminal	Fig.1
Ni70-W80-OD9L-Q/TB40	70mm	Non-flush	DC NO	10...60VDC	≤100mA	30Hz	-40...70°C	Terminal	Fig.1
Fi50-W80-CD9L-Q/TB40	50mm	Flush	DC NC	10...60VDC	≤100mA	50Hz	-40...70°C	Terminal	Fig.1
Ni70-W80-CD9L-Q/TB40	70mm	Non-flush	DC NC	10...60VDC	≤100mA	30Hz	-40...70°C	Terminal	Fig.1
Fi50-W80-OD9L-Q12/TB40	50mm	Flush	DC NO	10...60VDC	≤100mA	50Hz	-40...70°C	M12 Connector	Fig.2
Ni70-W80-OD9L-Q12/TB40	70mm	Non-flush	DC NO	10...60VDC	≤100mA	30Hz	-40...70°C	M12 Connector	Fig.2
Fi50-W80-CD9L-Q12/TB40	50mm	Flush	DC NC	10...60VDC	≤100mA	50Hz	-40...70°C	M12 Connector	Fig.2
Ni70-W80-CD9L-Q12/TB40	70mm	Non-flush	DC NC	10...60VDC	≤100mA	30Hz	-40...70°C	M12 Connector	Fig.2

Dimensions:

Fig.1

Fig.2



<< Inductive Sensor

Temperature Extension-Low Temperature-W80



Description:

Plastic housing, rectangular 80x80mm, DC 3/4-wire output, temperature range down to -40°C, IP67 protection class, power and action LED indicator.

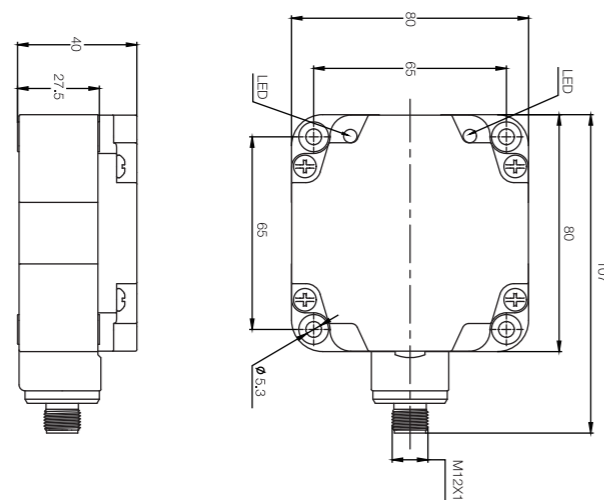
See the wiring diagram on page 231-233 for your reference.

Technical Data:

Type	Rated Operating Distance Sn	Mounting	Output	Voltage Range U _B	Rated Current	Switching Frequency	Ambient Temperature	Connection	Fig
Fi50-W80-ON6L-Q12/TB40	50mm	Flush	NPN NO	10...30VDC	≤200mA	50Hz	-40...70°C	M12 Connector	Fig.1
Fi50-W80-CN6L-Q12/TB40	50mm	Flush	NPN NC	10...30VDC	≤200mA	50Hz	-40...70°C	M12 Connector	Fig.1
Fi50-W80-BN6L-Q12/TB40	50mm	Flush	NPN NO+NC	10...30VDC	≤200mA	50Hz	-40...70°C	M12 Connector	Fig.1
Fi50-W80-OP6L-Q12/TB40	50mm	Flush	PNP NO	10...30VDC	≤200mA	50Hz	-40...70°C	M12 Connector	Fig.1
Fi50-W80-CP6L-Q12/TB40	50mm	Flush	PNP NC	10...30VDC	≤200mA	50Hz	-40...70°C	M12 Connector	Fig.1
Fi50-W80-BP6L-Q12/TB40	50mm	Flush	PNP NO+NC	10...30VDC	≤200mA	50Hz	-40...70°C	M12 Connector	Fig.1
Ni70-W80-ON6L-Q12/TB40	70mm	Non-flush	NPN NO	10...30VDC	≤200mA	30Hz	-40...70°C	M12 Connector	Fig.1
Ni70-W80-CN6L-Q12/TB40	70mm	Non-flush	NPN NC	10...30VDC	≤200mA	30Hz	-40...70°C	M12 Connector	Fig.1
Ni70-W80-BN6L-Q12/TB40	70mm	Non-flush	NPN NO+NC	10...30VDC	≤200mA	30Hz	-40...70°C	M12 Connector	Fig.1
Ni70-W80-OP6L-Q12/TB40	70mm	Non-flush	PNP NO	10...30VDC	≤200mA	30Hz	-40...70°C	M12 Connector	Fig.1
Ni70-W80-CP6L-Q12/TB40	70mm	Non-flush	PNP NC	10...30VDC	≤200mA	30Hz	-40...70°C	M12 Connector	Fig.1
Ni70-W80-BP6L-Q12/TB40	70mm	Non-flush	PNP NO+NC	10...30VDC	≤200mA	30Hz	-40...70°C	M12 Connector	Fig.1

Dimensions:

Fig.1



Temperature Extension-Low Temperature-W80



Description:

Plastic housing, rectangular 80x80mm, AC/DC 2-wire output, wide voltage range, temperature range down to -40°C, IP67 protection class, power and action LED indicator.

See the wiring diagram on page 231-233 for your reference.

Technical Data:

Type	Rated Operating Distance Sn	Mounting	Output	Voltage Range U _B	Rated Current	Switching Frequency	Ambient Temperature	Connection	Fig
Fi50-W80-OA41L-Q/TB40	50mm	Flush	DC/AC NO	20...250VAC/DC	DC≤100mA/AC≤200mA	20Hz	-40...70°C	Terminal	Fig.1
Fi50-W80-VA41L-Q/TB40	70mm	Flush	DC/AC NC	20...250VAC/DC	DC≤100mA/AC≤200mA	20Hz	-40...70°C	Terminal	Fig.1
Ni70-W80-OA41L-Q/TB40	50mm	Non-flush	DC/AC NO/NC	20...250VAC/DC	DC≤100mA/AC≤200mA	20Hz	-40...70°C	Terminal	Fig.1
Ni70-W80-VA41L-Q/TB40	70mm	Non-flush	DC/AC NO/NC	20...250VAC/DC	DC≤100mA/AC≤200mA	20Hz	-40...70°C	Terminal	Fig.1
Fi50-W80-OA41L-Q12/TB40	50mm	Flush	DC/AC NO	20...250VAC/DC	DC≤100mA/AC≤200mA	20Hz	-40...70°C	M12 Connector	Fig.2
Fi50-W80-VA41L-Q12/TB40	70mm	Flush	DC/AC NC	20...250VAC/DC	DC≤100mA/AC≤200mA	20Hz	-40...70°C	M12 Connector	Fig.2
Ni70-W80-OA41L-Q12/TB40	50mm	Non-flush	DC/AC NO/NC	20...250VAC/DC	DC≤100mA/AC≤200mA	20Hz	-40...70°C	M12 Connector	Fig.2
Ni70-W80-VA41L-Q12/TB40	70mm	Non-flush	DC/AC NO/NC	20...250VAC/DC	DC≤100mA/AC≤200mA	20Hz	-40...70°C	M12 Connector	Fig.2

Dimensions:

Fig.1

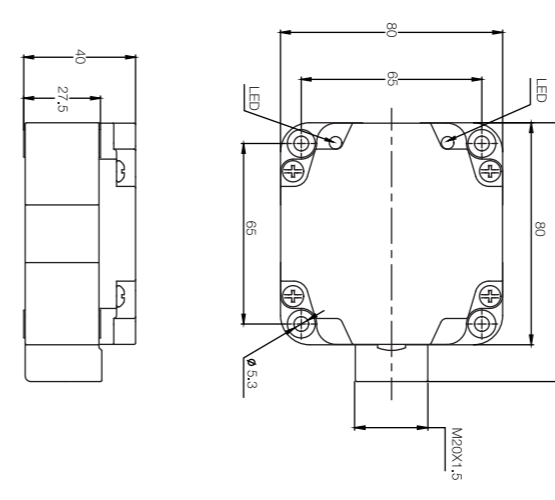
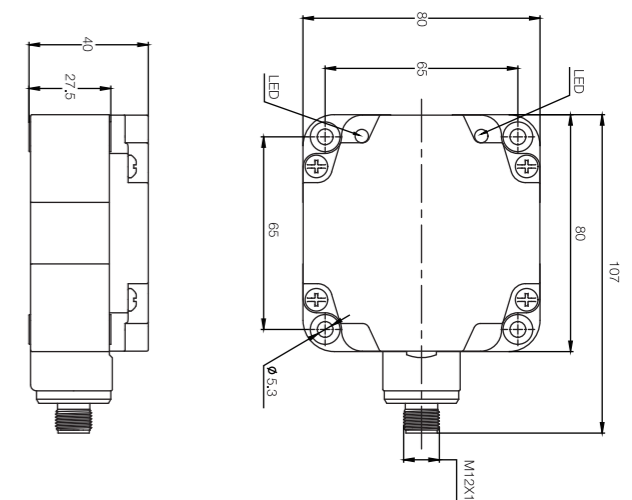


Fig.2



<< Inductive Sensor

Magnetic Field Immune Metal Barrel-M12



Description:

Brass nickel-plated, threaded barrel, DC 3-wire output, IP67 protection class, LED indicator.

See the wiring diagram on page 231-233 for your reference.

Magnetic Field Immune Metal Barrel-M18



Description:

Brass nickel-plated, threaded barrel, DC 3-wire output, IP67 protection class, LED indicator.

See the wiring diagram on page 231-233 for your reference.

Technical Data:

Type	Rated Operating Distance Sn	Mounting	Output	Voltage Range U _B	Rated Current	Switching Frequency	Ambient Temperature	Connection	Fig
Fi2A-M12-OP6L	2mm	Flush	PNP NO	10...30VDC	≤200mA	1000Hz	-25...70°C	2m cable	Fig.1
Fi2A-M12-CP6L	2mm	Flush	PNP NC	10...30VDC	≤200mA	1000Hz	-25...70°C	2m cable	Fig.1
Fi2A-M12-ON6L	2mm	Flush	NPN NO	10...30VDC	≤200mA	1000Hz	-25...70°C	2m cable	Fig.1
Fi2A-M12-CN6L	2mm	Flush	NPN NC	10...30VDC	≤200mA	1000Hz	-25...70°C	2m cable	Fig.1
Fi2A-M12-OP6L-Q12	2mm	Flush	PNP NO	10...30VDC	≤200mA	1000Hz	-25...70°C	M12 Connector	Fig.2
Fi2A-M12-CP6L-Q12	2mm	Flush	PNP NC	10...30VDC	≤200mA	1000Hz	-25...70°C	M12 Connector	Fig.2
Fi2A-M12-ON6L-Q12	2mm	Flush	NPN NO	10...30VDC	≤200mA	1000Hz	-25...70°C	M12 Connector	Fig.2
Fi2A-M12-CN6L-Q12	2mm	Flush	NPN NC	10...30VDC	≤200mA	1000Hz	-25...70°C	M12 Connector	Fig.2

Technical Data:

Type	Rated Operating Distance Sn	Mounting	Output	Voltage Range U _B	Rated Current	Switching Frequency	Ambient Temperature	Connection	Fig
Fi5A-M18-OP6L	5mm	Flush	PNP NO	10...30VDC	≤200mA	1000Hz	-25...70°C	2m cable	Fig.1
Fi5A-M18-CP6L	5mm	Flush	PNP NC	10...30VDC	≤200mA	1000Hz	-25...70°C	2m cable	Fig.1
Fi5A-M18-ON6L	5mm	Flush	NPN NO	10...30VDC	≤200mA	1000Hz	-25...70°C	2m cable	Fig.1
Fi5A-M18-CN6L	5mm	Flush	NPN NC	10...30VDC	≤200mA	1000Hz	-25...70°C	2m cable	Fig.1
Fi5A-M18-OP6L-Q12	5mm	Flush	PNP NO	10...30VDC	≤200mA	1000Hz	-25...70°C	M12 Connector	Fig.2
Fi5A-M18-CP6L-Q12	5mm	Flush	PNP NC	10...30VDC	≤200mA	1000Hz	-25...70°C	M12 Connector	Fig.2
Fi5A-M18-ON6L-Q12	5mm	Flush	NPN NO	10...30VDC	≤200mA	1000Hz	-25...70°C	M12 Connector	Fig.2
Fi5A-M18-CN6L-Q12	5mm	Flush	NPN NC	10...30VDC	≤200mA	1000Hz	-25...70°C	M12 Connector	Fig.2

Dimensions:

Fig.1

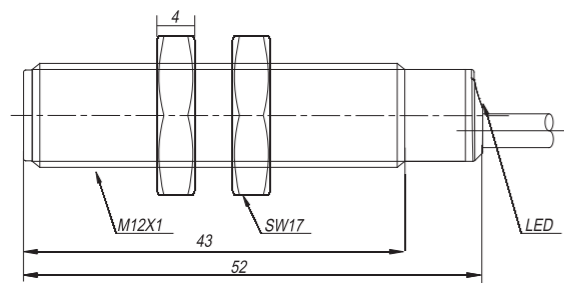
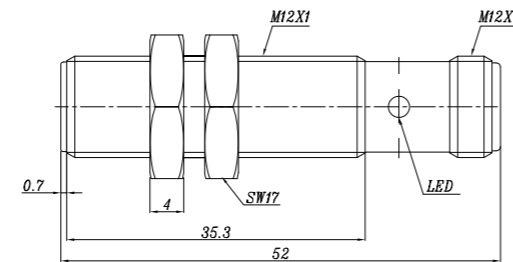


Fig.2



Dimensions:

Fig.1

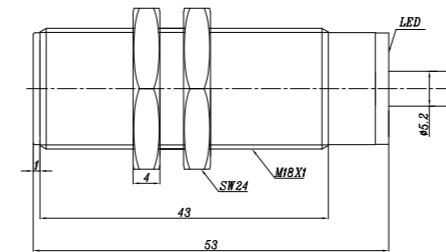
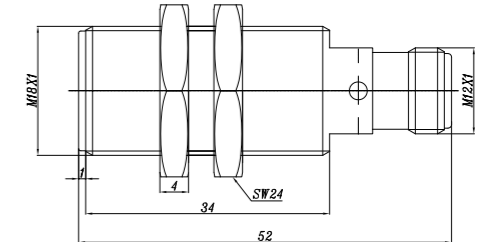


Fig.2



<< Inductive Sensor

Magnetic Field Immune Metal Barrel-M30



Description:

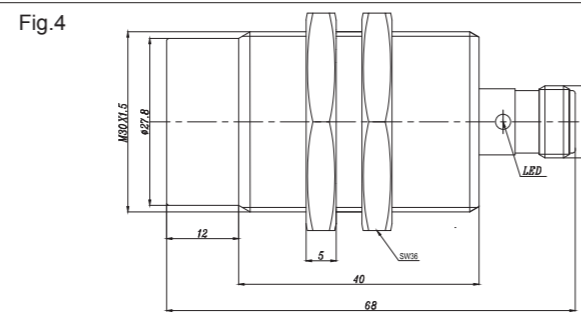
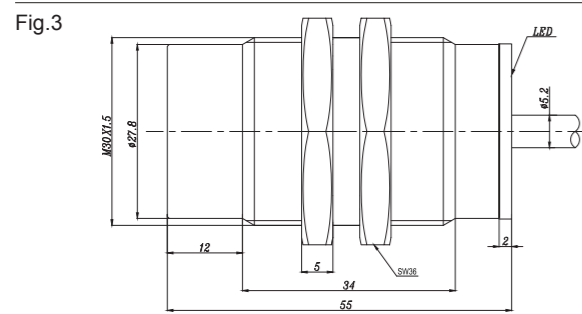
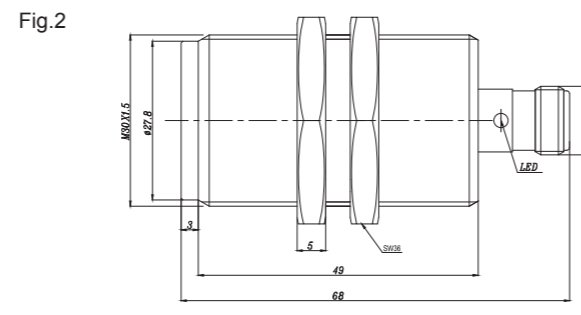
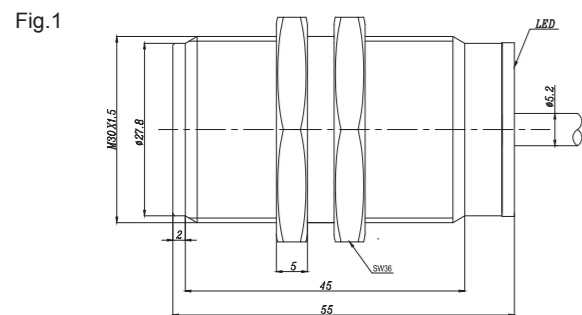
Brass nickel-plated, threaded barrel, DC 3-wire output, IP67 protection class, LED indicator.

See the wiring diagram on page 231-233 for your reference.

Technical Data:

Type	Rated Operating Distance Sn	Mounting	Output	Voltage Range U _B	Rated Current	Switching Frequency	Ambient Temperature	Connection	Fig
Fi10A-M30-OP6L	10mm	Flush	PNP NO	10...30VDC	≤200mA	400Hz	-25...70°C	2m cable	Fig.1
Fi10A-M30-CP6L	10mm	Flush	PNP NC	10...30VDC	≤200mA	400Hz	-25...70°C	2m cable	Fig.1
Fi10A-M30-ON6L	10mm	Flush	NPN NO	10...30VDC	≤200mA	400Hz	-25...70°C	2m cable	Fig.1
Fi10A-M30-CN6L	10mm	Flush	NPN NC	10...30VDC	≤200mA	400Hz	-25...70°C	2m cable	Fig.1
Fi10A-M30-OP6L-Q12	10mm	Flush	PNP NO	10...30VDC	≤200mA	400Hz	-25...70°C	M12 Connector	Fig.2
Fi10A-M30-CP6L-Q12	10mm	Flush	PNP NC	10...30VDC	≤200mA	400Hz	-25...70°C	M12 Connector	Fig.2
Fi10A-M30-ON6L-Q12	10mm	Flush	NPN NO	10...30VDC	≤200mA	400Hz	-25...70°C	M12 Connector	Fig.2
Fi10A-M30-CN6L-Q12	10mm	Flush	NPN NC	10...30VDC	≤200mA	400Hz	-25...70°C	M12 Connector	Fig.2
Ni22A-M30-CN6L	22mm	Non-flush	PNP NO	10...30VDC	≤200mA	200Hz	-25...70°C	2m cable	Fig.3
Ni22A-M30-CP6L	22mm	Non-flush	PNP NC	10...30VDC	≤200mA	200Hz	-25...70°C	2m cable	Fig.3
Ni22A-M30-ON6L	22mm	Non-flush	NPN NO	10...30VDC	≤200mA	200Hz	-25...70°C	2m cable	Fig.3
Ni22A-M30-OP6L	22mm	Non-flush	NPN NC	10...30VDC	≤200mA	200Hz	-25...70°C	2m cable	Fig.3
Ni22A-M30-CN6L-Q12	22mm	Non-flush	PNP NO	10...30VDC	≤200mA	200Hz	-25...70°C	M12 Connector	Fig.4
Ni22A-M30-CP6L-Q12	22mm	Non-flush	PNP NC	10...30VDC	≤200mA	200Hz	-25...70°C	M12 Connector	Fig.4
Ni22A-M30-ON6L-Q12	22mm	Non-flush	NPN NO	10...30VDC	≤200mA	200Hz	-25...70°C	M12 Connector	Fig.4
Ni22A-M30-OP6L-Q12	22mm	Non-flush	NPN NC	10...30VDC	≤200mA	200Hz	-25...70°C	M12 Connector	Fig.4

Dimensions:



<< Inductive Sensor

PTFE-Coated



Description:

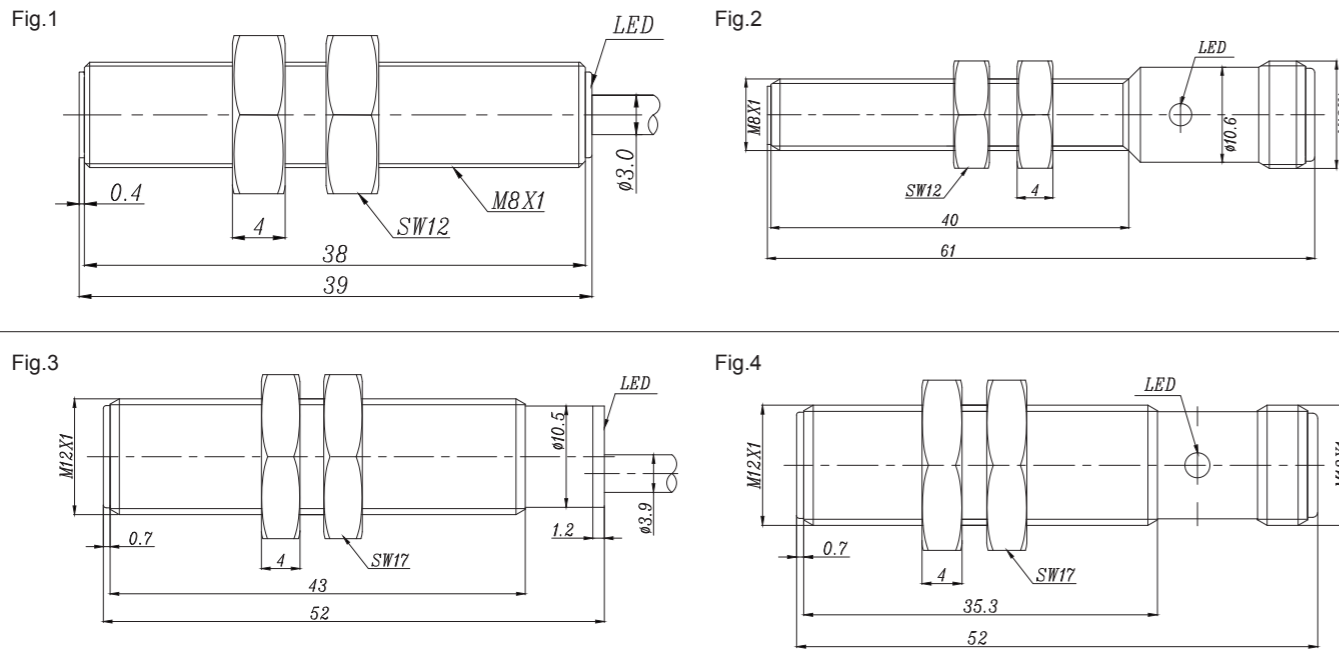
Brass PTFE-coated, threaded barrel, DC 3-wire output, acid and alkali resistant, resistant against welding sparks, anti-interference, IP67 protection class, LED indicator.

See the wiring diagram on page 231-233 for your reference.

Technical Data:

Type	Rated Operating Distance Sn	Mounting	Output	Voltage Range U _B	Rated Current	Switching Frequency	Ambient Temperature	Connection	Fig
Fi2-TM08-OP6L	2mm	Flush	PNP NO	10...30VDC	≤200mA	1000Hz	-25...70°C	2m cable	Fig.1
Fi2-TM08-ON6L	2mm	Flush	NPN NO	10...30VDC	≤200mA	1000Hz	-25...70°C	2m cable	Fig.1
Fi2-TM08-CP6L	2mm	Flush	PNP NC	10...30VDC	≤200mA	1000Hz	-25...70°C	2m cable	Fig.1
Fi2-TM08-CN6L	2mm	Flush	NPN NC	10...30VDC	≤200mA	1000Hz	-25...70°C	2m cable	Fig.1
Fi2-TM08-OP6L-Q12	2mm	Flush	PNP NO	10...30VDC	≤200mA	1000Hz	-25...70°C	M12 Connector	Fig.2
Fi2-TM08-ON6L-Q12	2mm	Flush	NPN NO	10...30VDC	≤200mA	1000Hz	-25...70°C	M12 Connector	Fig.2
Fi2-TM08-CP6L-Q12	2mm	Flush	PNP NC	10...30VDC	≤200mA	1000Hz	-25...70°C	M12 Connector	Fig.2
Fi2-TM08-CN6L-Q12	2mm	Flush	NPN NC	10...30VDC	≤200mA	1000Hz	-25...70°C	M12 Connector	Fig.2
Fi3-TM12-OP6L	3mm	Flush	PNP NO	10...30VDC	≤200mA	1000Hz	-25...70°C	2m cable	Fig.3
Fi3-TM12-ON6L	3mm	Flush	NPN NO	10...30VDC	≤200mA	1000Hz	-25...70°C	2m cable	Fig.3
Fi3-TM12-CP6L	3mm	Flush	PNP NC	10...30VDC	≤200mA	1000Hz	-25...70°C	2m cable	Fig.3
Fi3-TM12-CN6L	3mm	Flush	NPN NC	10...30VDC	≤200mA	1000Hz	-25...70°C	2m cable	Fig.3
Fi3-TM12-OP6L-Q12	3mm	Flush	PNP NO	10...30VDC	≤200mA	1000Hz	-25...70°C	M12 Connector	Fig.4
Fi3-TM12-ON6L-Q12	3mm	Flush	NPN NO	10...30VDC	≤200mA	1000Hz	-25...70°C	M12 Connector	Fig.4
Fi3-TM12-CP6L-Q12	3mm	Flush	PNP NC	10...30VDC	≤200mA	1000Hz	-25...70°C	M12 Connector	Fig.4
Fi3-TM12-CN6L-Q12	3mm	Flush	NPN NC	10...30VDC	≤200mA	1000Hz	-25...70°C	M12 Connector	Fig.4

Dimensions:



PTFE-Coated



Description:

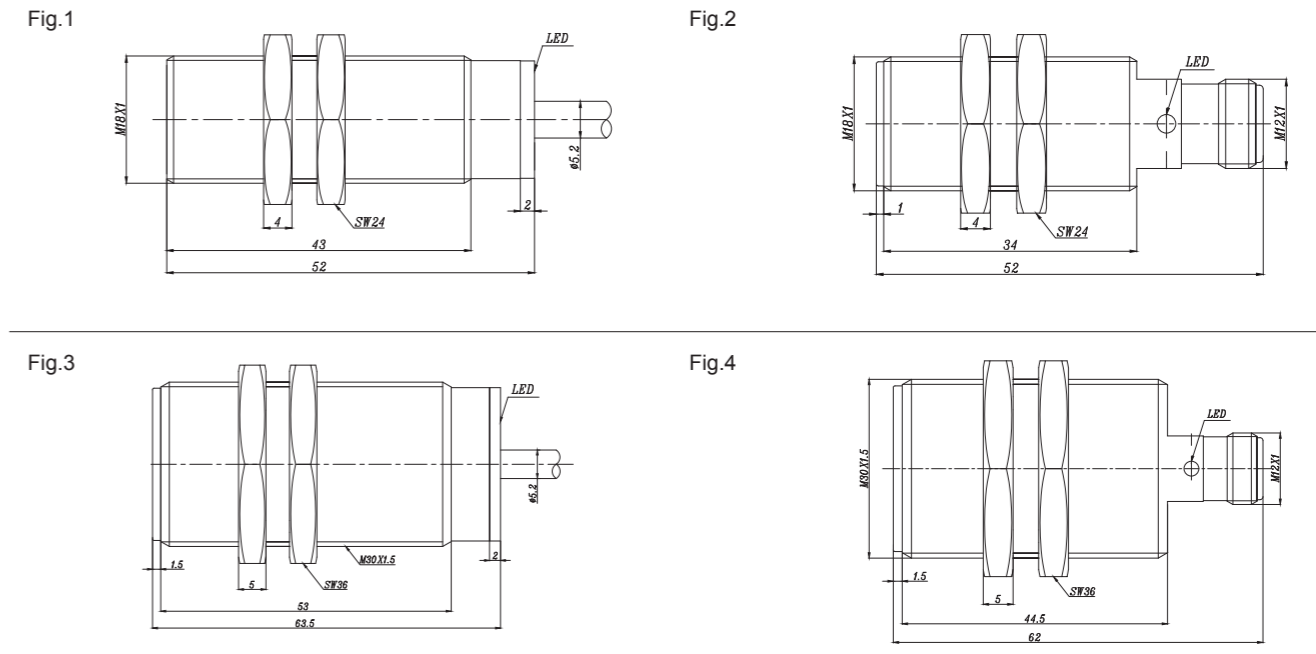
Brass PTFE-coated, threaded barrel, DC 3-wire output, acid and alkali resistant, resistant against welding sparks, anti-interference, IP67 protection class, LED indicator.

See the wiring diagram on page 231-233 for your reference.

Technical Data:

Type	Rated Operating Distance Sn	Mounting	Output	Voltage Range U _B	Rated Current	Switching Frequency	Ambient Temperature	Connection	Fig
Fi5-TM18-OP6L	5mm	Flush	PNP NO	10...30VDC	≤200mA	800Hz	-25...70°C	2m cable	Fig.1
Fi5-TM18-ON6L	5mm	Flush	NPN NO	10...30VDC	≤200mA	800Hz	-25...70°C	2m cable	Fig.1
Fi5-TM18-CP6L	5mm	Flush	PNP NC	10...30VDC	≤200mA	800Hz	-25...70°C	2m cable	Fig.1
Fi5-TM18-CN6L	5mm	Flush	NPN NC	10...30VDC	≤200mA	800Hz	-25...70°C	2m cable	Fig.1
Fi5-TM18-OP6L-Q12	5mm	Flush	PNP NO	10...30VDC	≤200mA	800Hz	-25...70°C	M12 Connector	Fig.2
Fi5-TM18-ON6L-Q12	5mm	Flush	NPN NO	10...30VDC	≤200mA	800Hz	-25...70°C	M12 Connector	Fig.2
Fi5-TM18-CP6L-Q12	5mm	Flush	PNP NC	10...30VDC	≤200mA	800Hz	-25...70°C	M12 Connector	Fig.2
Fi5-TM18-CN6L-Q12	5mm	Flush	NPN NC	10...30VDC	≤200mA	800Hz	-25...70°C	M12 Connector	Fig.2
Fi10-TM30-OP6L	10mm	Flush	PNP NO	10...30VDC	≤200mA	400Hz	-25...70°C	2m cable	Fig.1
Fi10-TM30-ON6L	10mm	Flush	NPN NO	10...30VDC	≤200mA	400Hz	-25...70°C	2m cable	Fig.1
Fi10-TM30-CP6L	10mm	Flush	PNP NC	10...30VDC	≤200mA	400Hz	-25...70°C	2m cable	Fig.1
Fi10-TM30-CN6L	10mm	Flush	NPN NC	10...30VDC	≤200mA	400Hz	-25...70°C	2m cable	Fig.1
Fi10-TM30-OP6L-Q12	10mm	Flush	PNP NO	10...30VDC	≤200mA	400Hz	-25...70°C	M12 Connector	Fig.2
Fi10-TM30-ON6L-Q12	10mm	Flush	NPN NO	10...30VDC	≤200mA	400Hz	-25...70°C	M12 Connector	Fig.2
Fi10-TM30-CP6L-Q12	10mm	Flush	PNP NC	10...30VDC	≤200mA	400Hz	-25...70°C	M12 Connector	Fig.2
Fi10-TM30-CN6L-Q12	10mm	Flush	NPN NC	10...30VDC	≤200mA	400Hz	-25...70°C	M12 Connector	Fig.2

Dimensions:



<< Inductive Sensor

Analog Output Metal Barrel-M12



Description:

Brass nickel-plated, threaded barrel, current or voltage output or both, IP67 protection class, LED indicator.

See the wiring diagram on page 231-233 for your reference.

Technical Data:

Type	Rated Operating Distance Sn	Mounting	Output Type	Voltage Range U _B	Switching Frequency	Output	Linearity Error	Ambient Temperature	Connection	Fig
F12-M12-LIU	0.4-2mm	Flush	Voltage/Current	15...30VDC	1000HZ	0...10VDC/0...20mA	≤3%	-25...70°C	2m cable	Fig.1
Ni4-M12-LIU	0.8-4mm	Non-flush	Voltage/Current	15...30VDC	800HZ	0...10VDC/0...20mA	≤3%	-25...70°C	2m cable	Fig.2
F12-M12-LIU-Q12	0.4-2mm	Flush	Voltage/Current	15...30VDC	1000HZ	0...10VDC/0...20mA	≤3%	-25...70°C	M12 Connector	Fig.3
Ni4-M12-LIU-Q12	0.8-4mm	Non-flush	Voltage/Current	15...30VDC	800HZ	0...10VDC/0...20mA	≤3%	-25...70°C	M12 Connector	Fig.4

Dimensions:

Fig.1

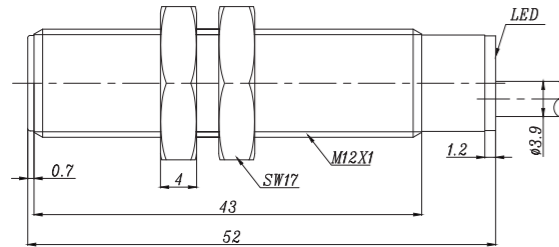


Fig.2

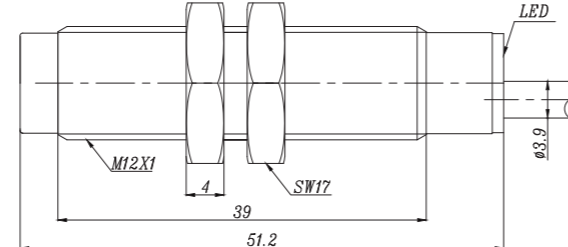


Fig.3

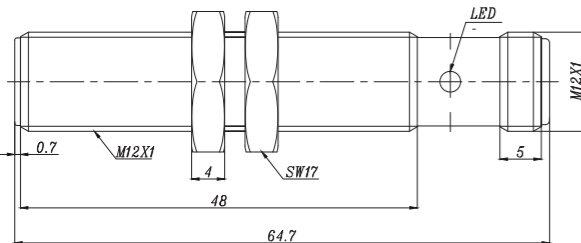
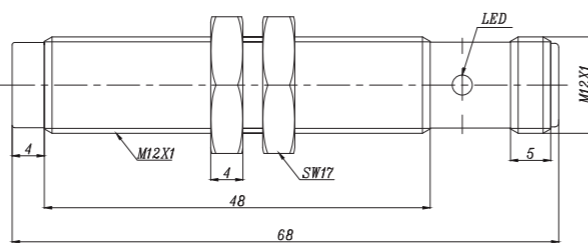


Fig.4



Analog Output Metal Barrel-M18



Description:

Brass nickel-plated, threaded barrel, current or voltage output or both, IP67 protection class, LED indicator.

See the wiring diagram on page 231-233 for your reference.

Technical Data:

Type	Rated Operating Distance Sn	Mounting	Output Type	Voltage Range U _B	Switching Frequency	Output	Linearity Error	Ambient Temperature	Connection	Fig
F18-M18-LIU	1-5mm	Flush	Voltage/Current	15...30VDC	800HZ	0...10VDC/0...20mA	≤3%	-25...70°C	2m cable	Fig.1
Ni8-M18-LIU	1.6-8mm	Non-flush	Voltage/Current	15...30VDC	500HZ	0...10VDC/0...20mA	≤3%	-25...70°C	2m cable	Fig.2
F18-M18-LIU-Q12	1-5mm	Flush	Voltage/Current	15...30VDC	800HZ	0...10VDC/0...20mA	≤3%	-25...70°C	M12 Connector	Fig.3
Ni8-M18-LIU-Q12	1.6-8mm	Non-flush	Voltage/Current	15...30VDC	500HZ	0...10VDC/0...20mA	≤3%	-25...70°C	M12 Connector	Fig.4

Dimensions:

Fig.1

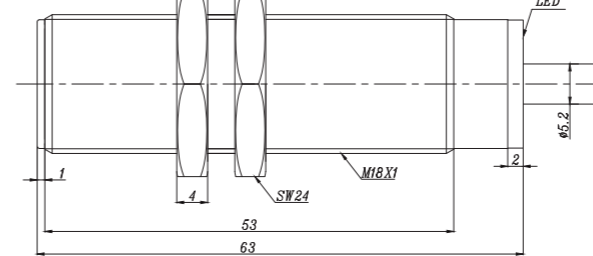


Fig.2

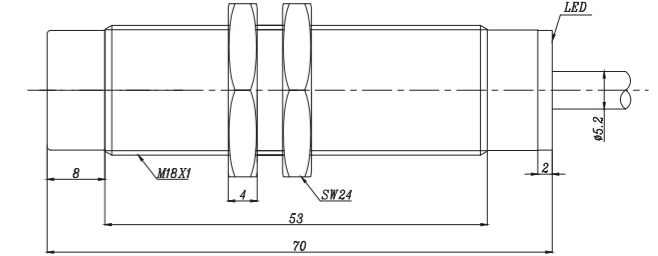


Fig.3

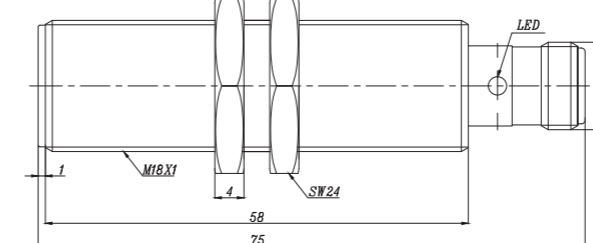
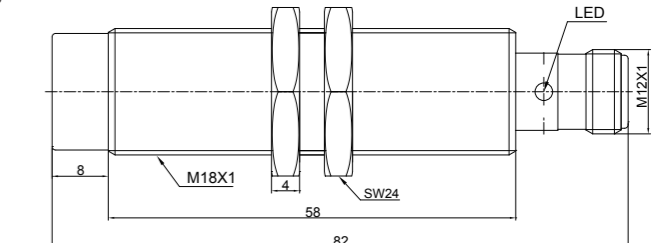


Fig.4



<< Inductive Sensor

Analog Output Metal Barrel-M30



Description:

Brass nickel-plated, threaded barrel, current or voltage output or both, IP67 protection class, LED indicator.

See the wiring diagram on page 231-233 for your reference.

Technical Data:

Type	Rated Operating Distance Sn	Mounting	Output Type	Voltage Range U_B	Switching Frequency	Output	Linearity Error	Ambient Temperature	Connection	Fig
F10-M30-LIU	2-10mm	Flush	Voltage/Current	15...30VDC	400HZ	0...10VDC/0...20mA	≤3%	-25...70°C	2m cable	Fig.1
N15-M30-LIU	3-15mm	Non-flush	Voltage/Current	15...30VDC	200HZ	0...10VDC/0...20mA	≤3%	-25...70°C	2m cable	Fig.2
F10-M30-LIU-Q12	2-10mm	Flush	Voltage/Current	15...30VDC	400HZ	0...10VDC/0...20mA	≤3%	-25...70°C	M12 Connector	Fig.3
N15-M30-LIU-Q12	3-15mm	Non-flush	Voltage/Current	15...30VDC	200HZ	0...10VDC/0...20mA	≤3%	-25...70°C	M12 Connector	Fig.4

Dimensions:

Fig.1

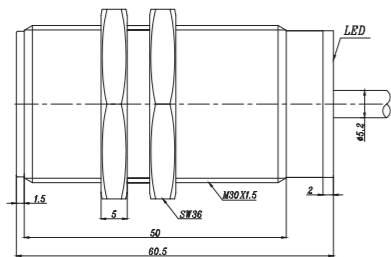


Fig.2

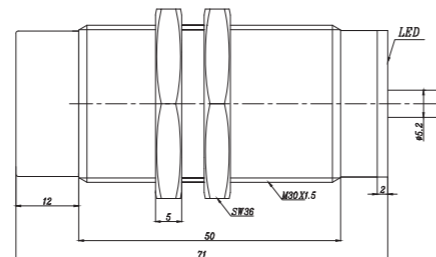


Fig.3

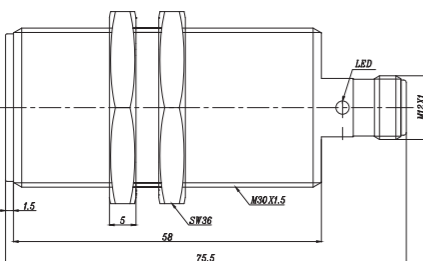
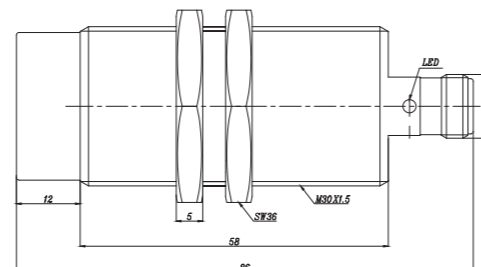


Fig.4



Analog Output -W40



Description:

Plastic housing, rectangular 40x40mm, variable orientation of active face, current or voltage output or both, IP67 protection class, LED indicator.

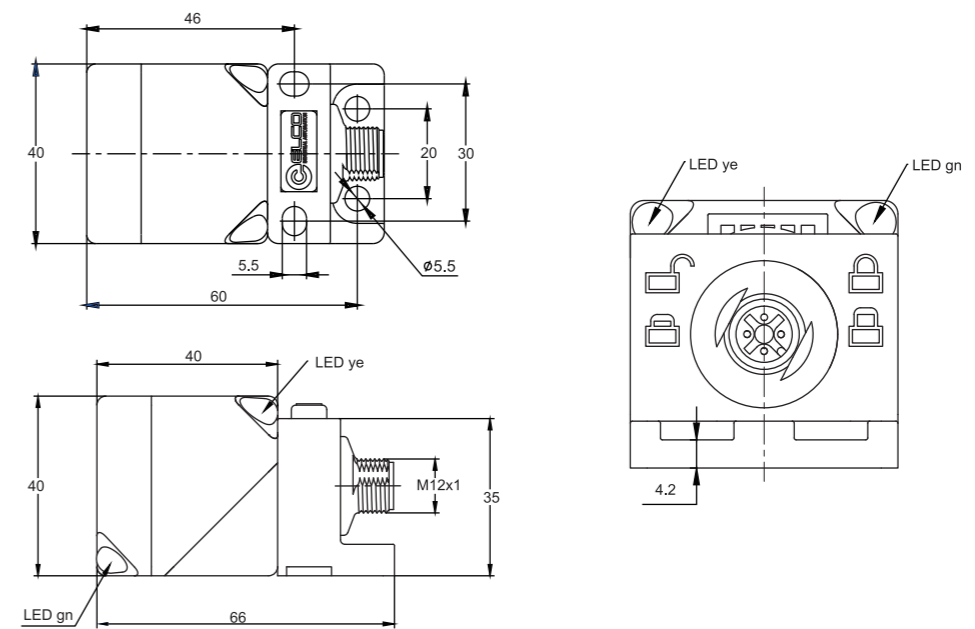
See the wiring diagram on page 231-233 for your reference.

Technical Data:

Type	Rated Operating Distance Sn	Mounting	Output Type	Voltage Range U_B	Switching Frequency	Output	Linearity Error	Ambient Temperature	Connection	Fig
N125-W40-LIU-Q12	5-25mm	Non-flush	Analog	Voltage/Current	15...30VDC	0...10VDC/0...20mA	≤3%	-25...70°C	M12 Connector	Fig.1

Dimensions:

Fig.1



<< Inductive Sensor

Inductive Power Clamp Sensor - Plastic Rectangular



Description:

Plastic housing, rectangular 40x40mm, DC 3-wire output, IP67 protection class, LED indicator, optional sensor head.

See the wiring diagram on page 231-233 for your reference.

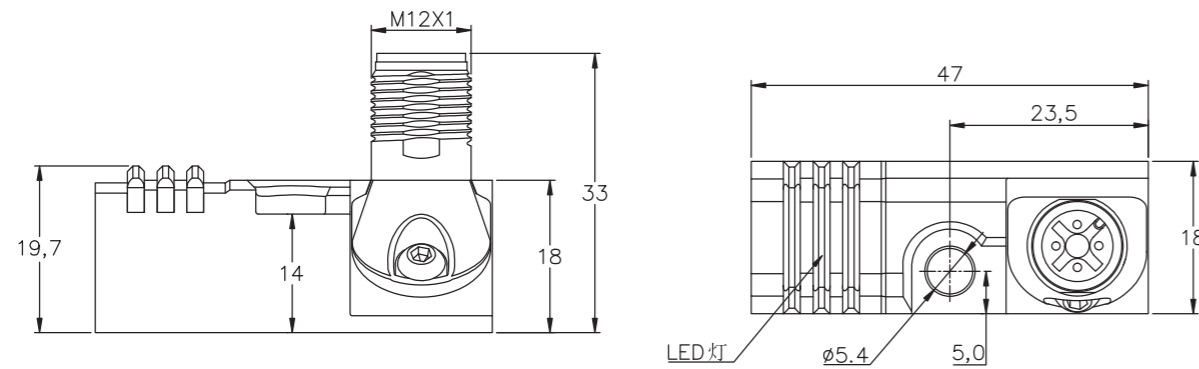
Technical Data:

Type	Rated Operating Distance Sn	Mounting	Output	Voltage Range U _B	Rated Current	Switching Frequency	Ambient Temperature	Connection	Fig
NI2-QV2R1R2-OP6L-Q12	2mm	Non-flush	PNP NO	10...30VDC	≤150mA	200Hz	-25...70°C	M12 Connector	Fig.1/2/3
NI2-QV2C1-OP6L-Q12	2mm	Non-flush	PNP NO	10...30VDC	≤150mA	200Hz	-25...70°C	M12 Connector	Fig.1/4

Dimensions:

Fig.1

Processor



Dimensions:

Fig.2

Sensor head R1

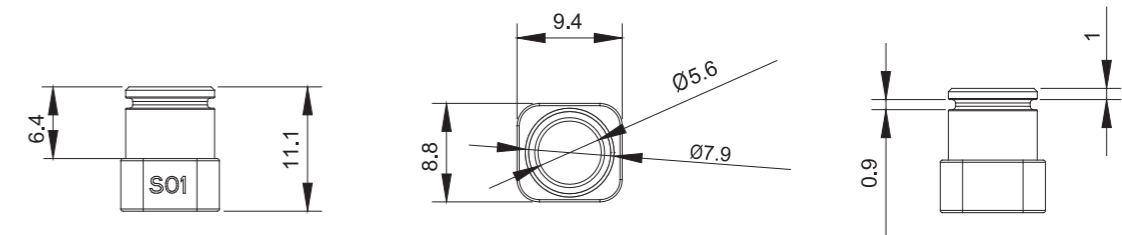


Fig.3

Sensor head R2

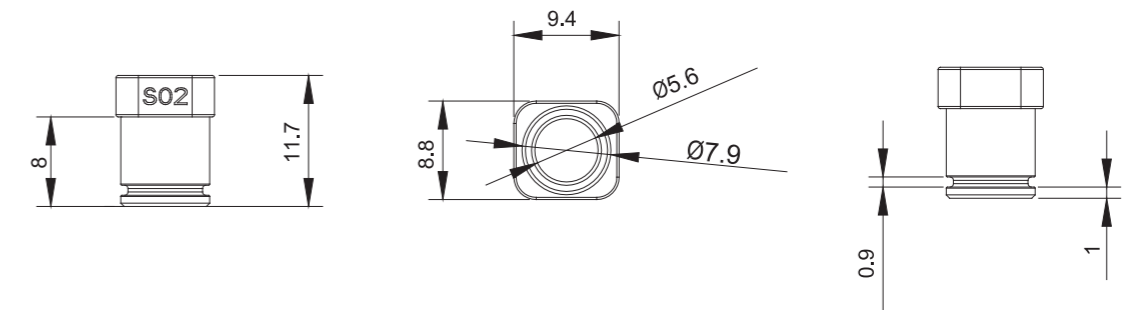
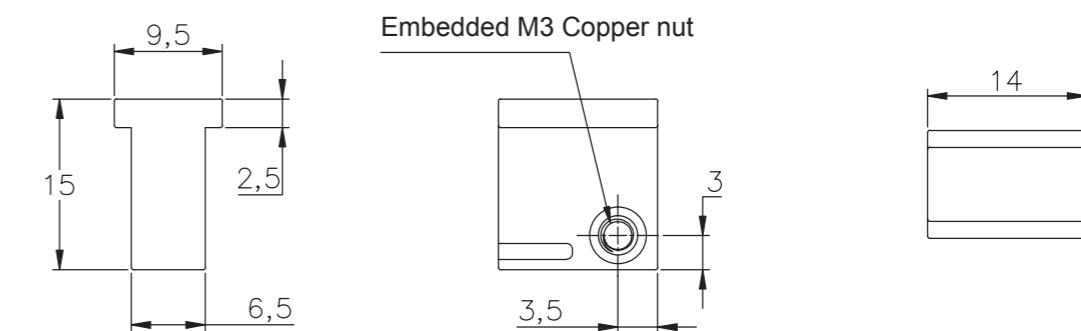


Fig.4

Sensor head C1



Type Code

C B O 12. 4 -2 - C B 12. 4 / P

Product Category

C-type
Q-type

Shape

Null: Straight
B: Angled

Gender

Null: Male
O: Female

Size

M8*1
M12*1

No. of Pin

2: 2-pin
(2.2, 2.21, 2.22 different pin sequence)
3: 3-pin
4: 4-pin
5: 5-pin
8: 8-pin

Special Function and Cable Material

Null: PVC
P: PUR
WS: Shielded
L: PNP LED
LN: NPN LED
EWSR: Welding spark resistance

No. of Pin

3: 3-pin
4: 4-pin
5: 5-pin
8: 8-pin

Size

M8*1
M12*1

Shape

Null: Straight
B: Angled

Product Category


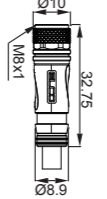
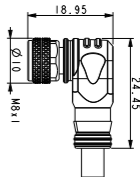

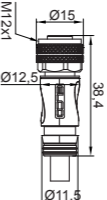
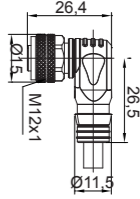
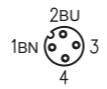
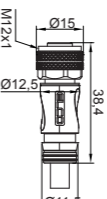
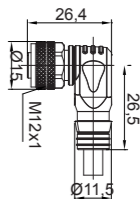
C-type
Q-type

Specification

Null: Single Pre-wired

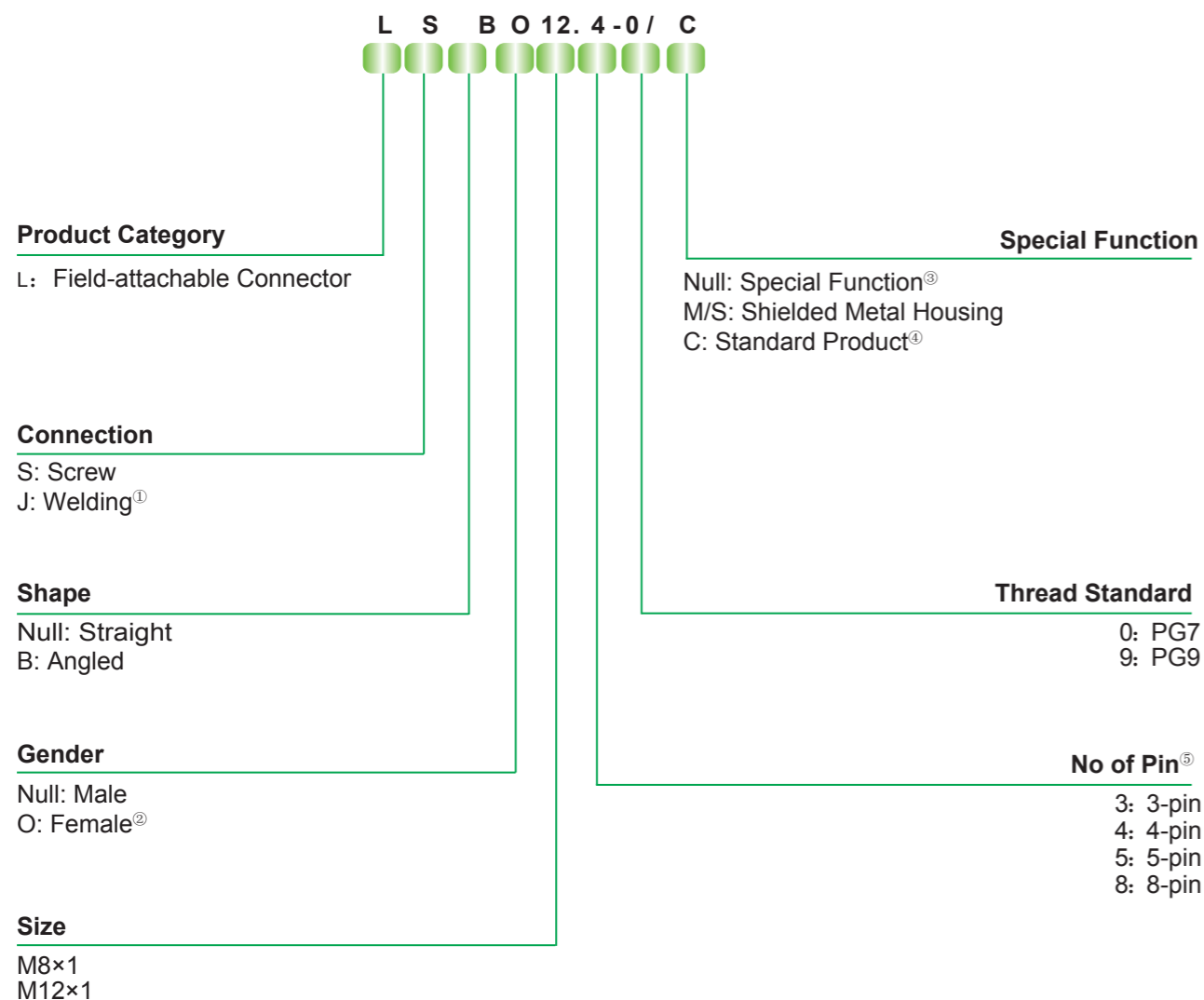
Cable length

Standard Length: 2m

Size and Pin Assignment	Connector									
	Straight	Angled								
M8  <table border="1" data-bbox="1838 602 1938 671"> <tr><td>1</td><td>br/BN</td></tr> <tr><td>3</td><td>bl/BU</td></tr> <tr><td>4</td><td>sw/BK</td></tr> </table>	1	br/BN	3	bl/BU	4	sw/BK	 CO8.3-2 CO8.3-5 CO8.3-10	 CBO8.3-2 CBO8.3-5 CBO8.3-10		
1	br/BN									
3	bl/BU									
4	sw/BK									
M12  <table border="1" data-bbox="1838 969 1938 1058"> <tr><td>1</td><td>br/BN</td></tr> <tr><td>2</td><td>ws/WH</td></tr> <tr><td>3</td><td>bl/BU</td></tr> <tr><td>4</td><td>sw/BK</td></tr> </table>	1	br/BN	2	ws/WH	3	bl/BU	4	sw/BK	 CO12.4-2 CO12.4-5 CO12.4-10	 CBO12.4-2 CBO12.4-5 CBO12.4-10
1	br/BN									
2	ws/WH									
3	bl/BU									
4	sw/BK									
M12  <table border="1" data-bbox="1838 1466 1938 1535"> <tr><td>1</td><td>br/BN</td></tr> <tr><td>2</td><td>bl/BU</td></tr> </table>	1	br/BN	2	bl/BU	 CO12.21-2/NE CO12.21-5/NE CO12.21-10/NE	 CBO12.21-2/NE CBO12.21-5/NE CBO12.21-10/NE				
1	br/BN									
2	bl/BU									

Note: Provide customized sensor with any specification and cable length (2m,5m,10m).

Order code for field-attachable connector



Sensor	Connector	
	Straight	Angled
M8 	 LSO8.3-0/C	 LSBO8.3-0/C
M12 	 LSO12.4-0/C LSO12.5-0/C	 LSBO12.4-0/C LSBO12.5-0/C

Note: Provide customized sensor with any specification and cable.

Remarks:

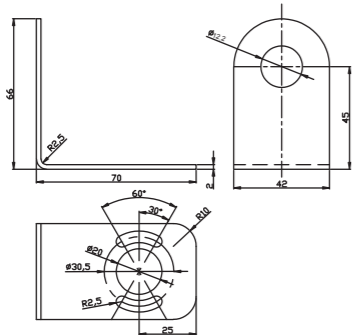
- ①: Welding wiring for part of M8 and all M23 series products
- ②: Mark "O" for female end
- ③: Null for M23 series products
- ④: If no special requirements, Elco supply preferred products to customer to facilitate field wiring (Only for the M8, M12 series products with screw connection).
- ⑤: Only supply metal housing for 19-pin products

Mounting Accessories

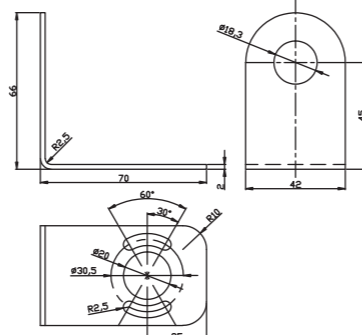
Mounting Jacket

Mounting Bracket:

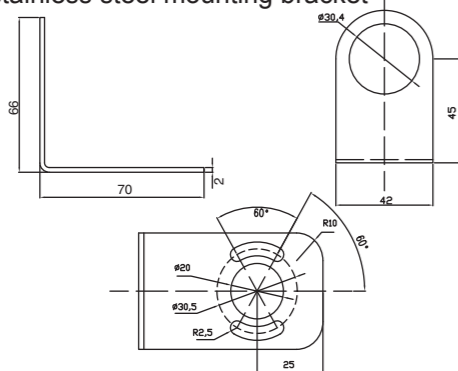
M12 series stainless steel mounting bracket
EO12DF



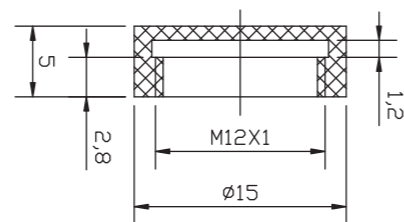
M18 series stainless steel mounting bracket
EO18DF



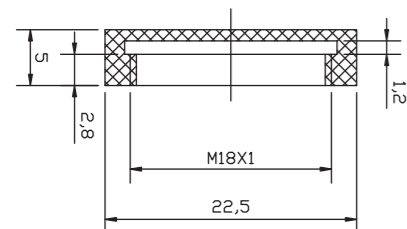
M30 series stainless steel mounting bracket
EO30DF



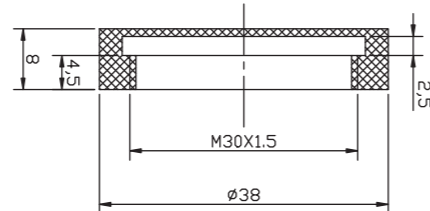
M12 series protective cap
Telfon
AS-FCM12



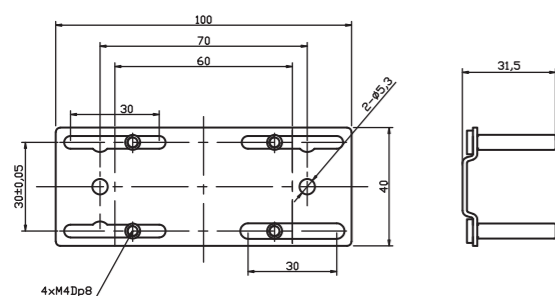
M18 series protective cap
Telfon
AS-FCM18



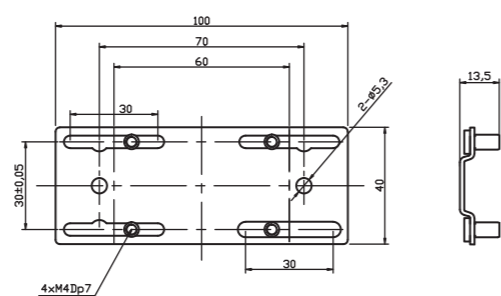
M30 series protective cap
Telfon
AS-FCM30



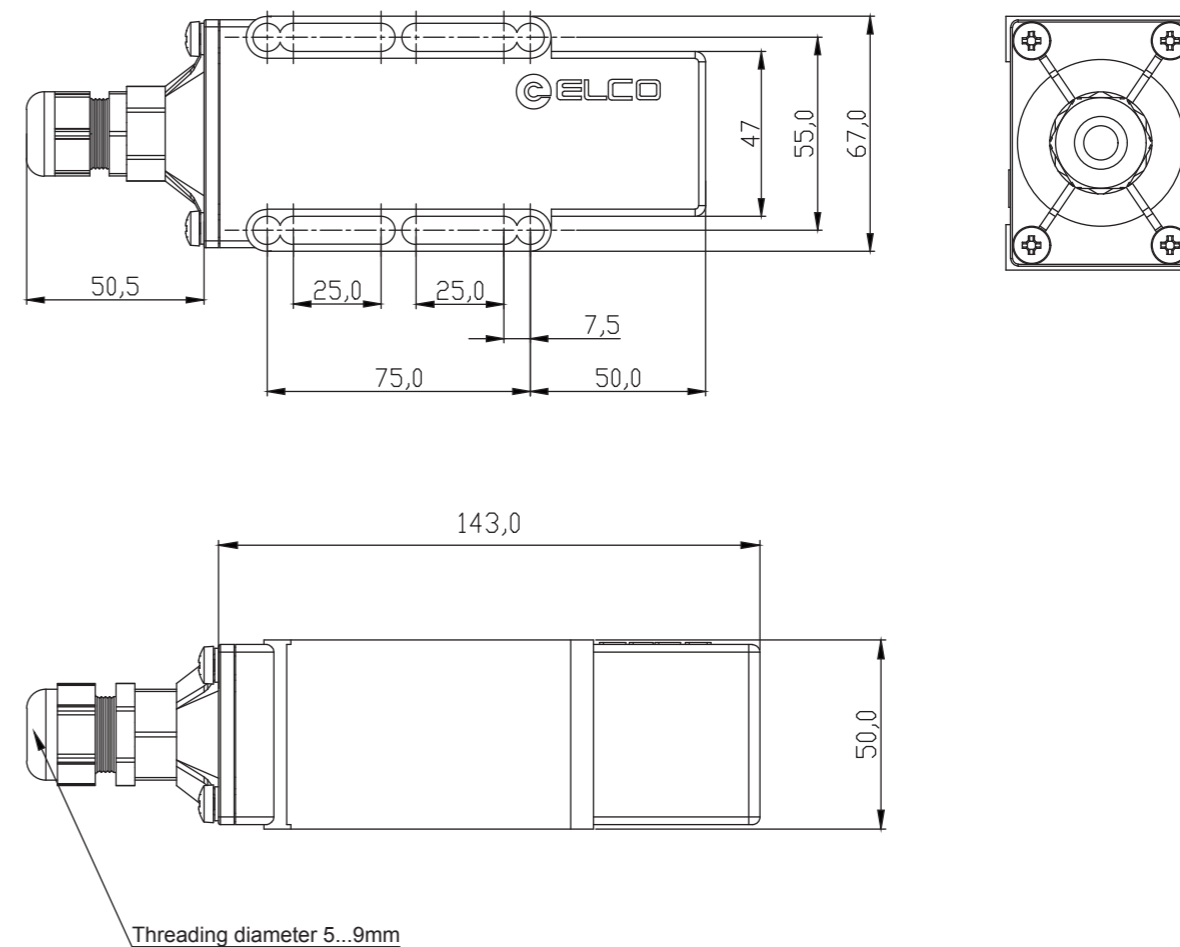
WL40 series stainless steel mounting bracket
ECL40-R



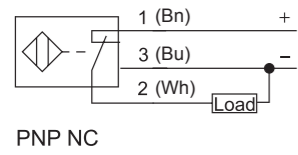
CL40 series stainless steel mounting bracket
ECL40-R1



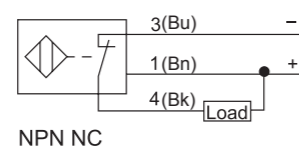
CL40/WL40 series mounting jacket
Main material ULTEM
EWL40-H (for WL40 Series)



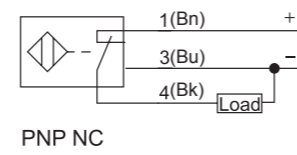
Wiring Diagram



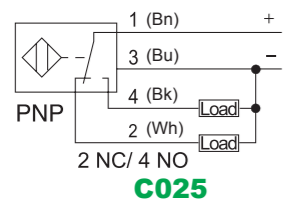
C022



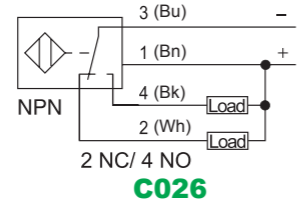
C023



C024

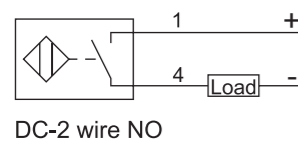


C025

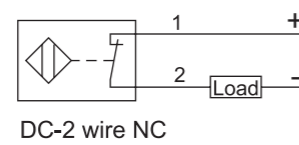


C026

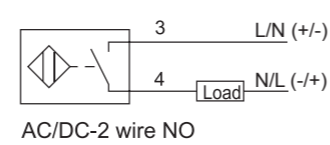
Terminal Version



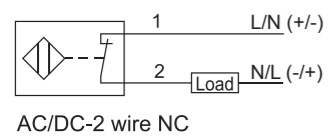
C027



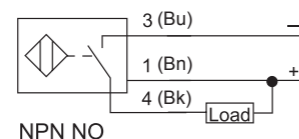
C028



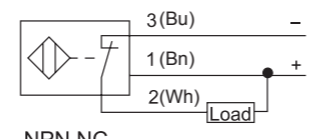
C029



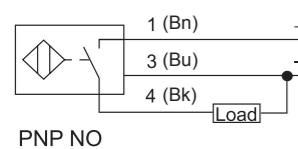
C030



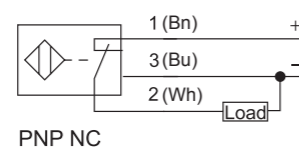
C031



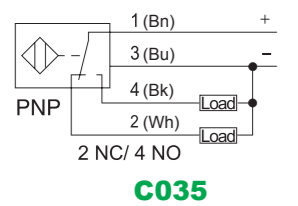
C032



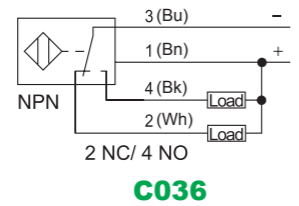
C033



C034



C035



C036

