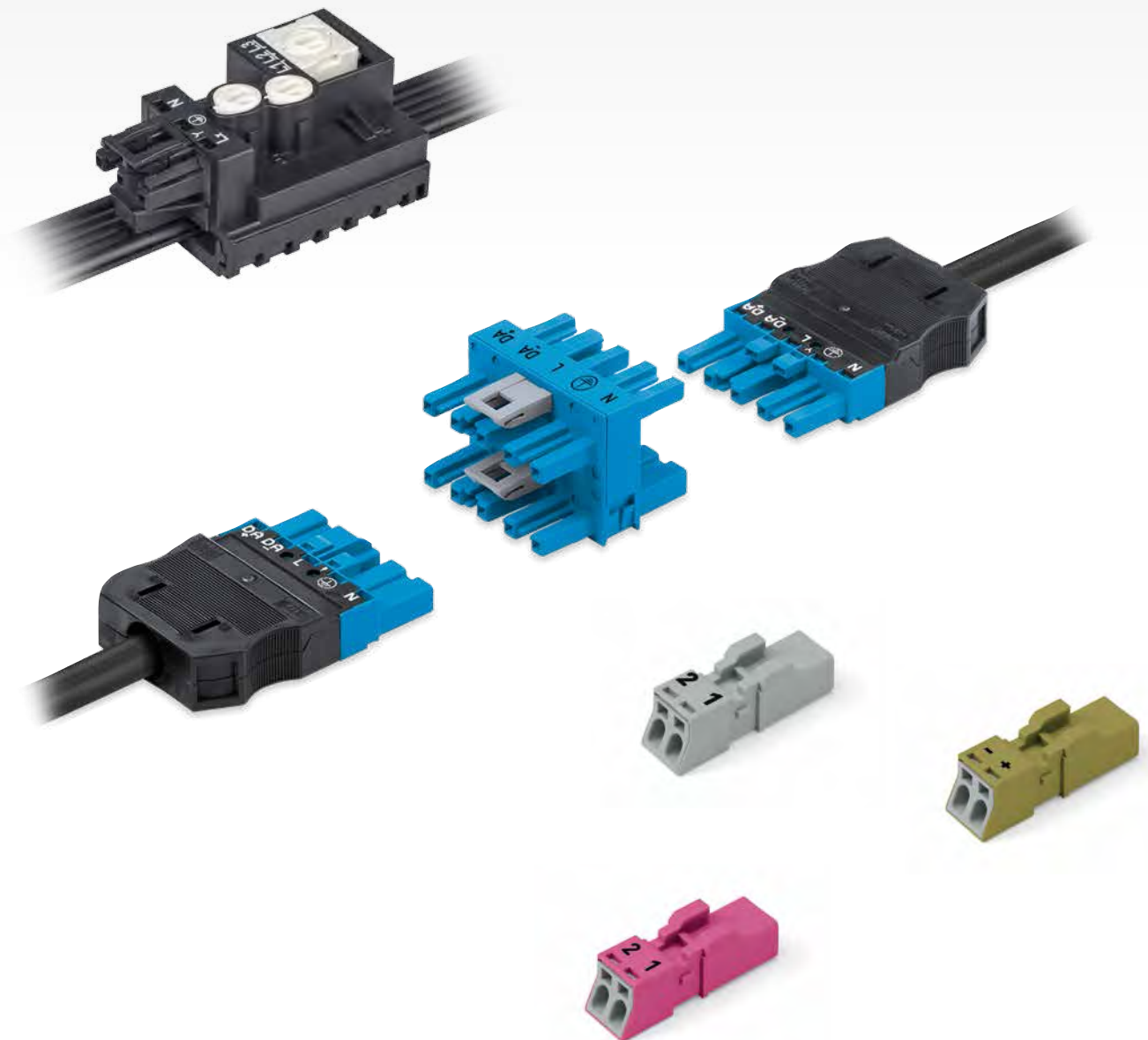


WINSTA®

The Pluggable Connection System

Full Line Catalog, Volume 5
Edition: 2015



WE!
INNOVATE!



WAGO®

WAGO Full Line Catalogs



Volume 1, Rail-Mounted Terminal Block Systems

- Rail-Mounted Terminal Blocks
- Rail-Mounted Terminal Blocks with Pluggable Connector (X-COM®-SYSTEM and X-COM®S-SYSTEM)
- Patchboard Systems
- Terminal Strips
- PUSH WIRE® Connectors for Junction Boxes
- Lighting Connectors
- Shield Connecting System



Volume 2, PCB Terminal Blocks and Connectors

- PCB Terminal Blocks
- SMD PCB Terminal Blocks
- MULTI CONNECTION SYSTEM (MCS)
- Pluggable PCB Terminal Blocks
- Feedthrough Terminal Blocks
- Specialty Connectors
- Empty Housings



Volume 3, Automation Technology

- Software
- Operating & Monitoring - PERSPECTO®
- Controllers
- Modular I/O-SYSTEM, IP20/IP67
- Industrial Switches
- Radio Technology, TO-PASS® Telecontrol Technology
- IP67 Sensor/Actuator Boxes, IP67 Cables and Connectors



Volume 4, Interface Electronic

- Relay and Optocoupler Modules
- JUMPFLEX® Signal Conditioners and Isolation Amplifiers
- Current and Energy Measurement Technology
- EPSITRON® Power Supply System
- Interface Modules and System Wiring
- Overvoltage Protection
- Interface Modules with Specialty Functions
- Empty Housings



Volume 5, WINSTA® – The Pluggable Connection System

- WINSTA® MINI – Pluggable Connectors
- WINSTA® MINI special – Pluggable Connectors
- WINSTA® MIDI – Pluggable Connectors
- WINSTA® MIDI special – Pluggable Connectors
- WINSTA® MAXI – Pluggable Connectors
- WINSTA® RD – Cable Assemblies
- WINSTA® KNX – Pluggable Connectors
- WINSTA® IDC – Flat Cable Systems
- WINSTA® – Distribution Boxes

	WINSTA® MINI 890/891 Series; 2- to 5-Pole Connectors, Snap-In Device Connectors, Distribution Connectors, Cable Assemblies	1.5 mm ² , 16 A	6
	WINSTA® MINI special 890/891 Series; 2- to 4-Pole Connectors, Snap-In Device Connectors, Distribution Connectors, Cable Assemblies	1.5 mm ² , 16 A	44
	WINSTA® MIDI 770/771 Series; 2- to 7-Pole Linect® T-Connectors, Connectors, Snap-In Device Connectors, PCB Connectors, Distribution Connectors, Cable Assemblies	4 mm ² , 25 A 	76
	WINSTA® MIDI special 770/771 Series; 2- to 5-Pole Connectors, Snap-In Device Connectors, Distribution Connectors, Cable Assemblies	4 mm ² , 25 A	160
	WINSTA® Specialty Cable Assemblies Cable Assemblies for Specialty Applications		192
	WINSTA® MAXI 831 Series; 5-Pole Connectors	6 mm ² , 35 A	200
	WINSTA® RD 774 Series; 3- and 4-Pole Cable assemblies	2.5 mm ² , 20 A	204
	WINSTA® KNX 893/894 Series; 2-Pole Connectors, Snap-In Device Connectors, Distribution Connectors, Cable Assemblies	0.8 mm Ø, 3 A	212
	WINSTA® IDC 772/893/895/896/897 Series Supply and Tap-Off Modules, Flat Cables	16 mm ² , 76 A	220
	WINSTA® Distribution Boxes 770 Series Distribution Boxes	2.5/4/6 mm ² , 20/25/35 A	242
	Accessories and Tools		276
	Technical Section		282
	Index and Addresses		308

Operation of WAGO Connection Technologies

Please follow applicable product instructions for product-specific handling.

CAGE CLAMP® S



CAGE CLAMP® S
terminates the following
copper conductors:
solid



stranded



fine-stranded,
also with tinned
single strands



fine-stranded,
tip-bonded



fine-stranded,
with ferrule
(gastight crimped)



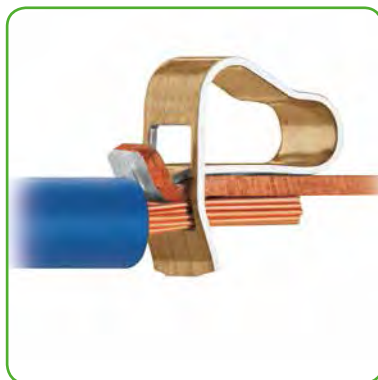
fine-stranded,
with pin terminal
(gastight crimped)

The universal connection with "SPECIAL"

Handling:

- Open clamping unit
- Insert the conductor
- Release clamp - done!
- Terminate both solid and ferruled conductors by simply pushing them in – no operating tool needed.

CAGE CLAMP®



CAGE CLAMP®
terminates the following
copper conductors:
solid



stranded



fine-stranded,
also with tinned
single strands



fine-stranded,
tip-bonded



fine-stranded,
with ferrule
(gastight crimped)



fine-stranded,
with pin terminal
(gastight crimped)

The universal connection for solid, stranded and fine-stranded conductors

Handling:

- Open clamping unit
- Insert the conductor
- Release clamp - done!

Operation of WAGO Connection Technologies

Please follow applicable product instructions for product-specific handling.

POWER CAGE CLAMP®



POWER CAGE CLAMP terminates the following copper conductors:
solid



stranded



fine-stranded,
also with tinned
single strands



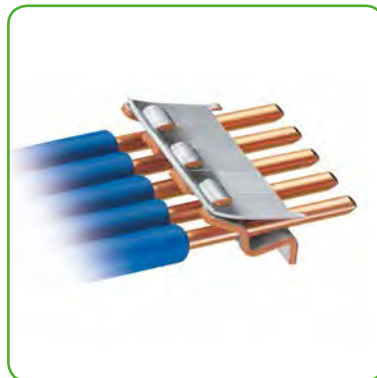
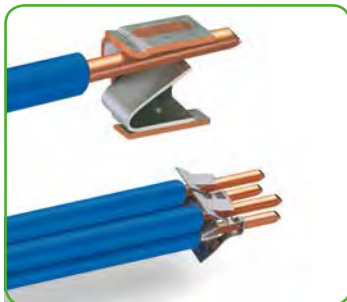
fine-stranded,
with pin terminal
(gastight crimped)

The universal connection for conductors larger than 6 mm² (10 AWG)

Handling:

- Open clamp by turning an Allen wrench counter-clockwise.
- Press integrated latch to open clamping unit for hands-free wiring.
- Insert the conductor.
- A small counter-clockwise rotation closes the clamp, securing conductor.

PUSH WIRE®



PUSH WIRE® terminates the following copper conductors:
solid

PUSH WIRE® connection for solid and stranded conductors (depending on model used)

Handling:

Tool-free, twist-free terminations for solid and rigid stranded conductors – simply push into unit.

WINSTA® – A Complete Series Perfects the System.

The WINSTA® Pluggable Connection System

is the electrical interface that links power supply and distribution to electrical loads (e.g., lights) and encompasses data processing (bus lines in building automation).

WINSTA® MAXI



WINSTA® MINI/ WINSTA® MINI special



WINSTA® MIDI/ WINSTA® MIDI special



WINSTA® RD





WINSTA® MIDI & Linect®

By interconnecting all electrical components, **WINSTA®** endows modern buildings with high levels of flexibility and durability that readily satisfy stringent norms and standards.

The **WINSTA®** system offers a connection solution for virtually any building requirement from power supply to bus lines. Each unique **WINSTA®** model has been specifically developed to satisfy pole requirements, installation restrictions and current-carrying capacities.

Each model line contains both individual components (e.g., plugs, sockets, h-distribution connectors, T-distribution connectors, distribution boxes) and cable assemblies in construction industry standard lengths.

The 2- to 7-pole **WINSTA®** components are packaged upon order and provided on-site to customers.

Comprehensive WAGO project support:

WAGO offers consulting and project planning services to help devise the best possible solution for your project. Our experienced team of professionals will gladly help you implement your project with our products.

Contact your regional agent.

WINSTA® – perfectly plugged!








WINSTA® MINI
890/891 Series
up to 1.5 mm² / 16 A

- Note:**
- Installation connectors are designed for connection and disconnection while not under load.
 - There is no hazard-inducing interchangeability with systems based on IEC 60309, IEC 60320, IEC 60906 and with national connector and socket systems.
 - Compliance with the standards (IEC 61535) does not guarantee hazard-preventing, non-interchangeability with installation connector systems from various manufacturers.
 - Installation connector systems are not a substitute for residential connector/socket systems.

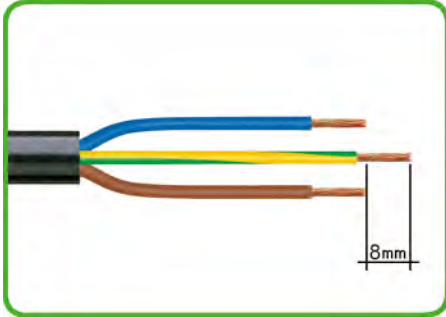
 - WINSTA® MINI connectors are not intended for installation in open or easily accessible areas.



	890 Series	
	Connectors, 2-Pole	10 - 11
	Connectors, 3-Pole	20 - 21
	Connectors, 4-Pole	28 - 29
	Connectors, 5-Pole	36 - 37
	890 Series	
	Snap-In Device Connectors, 2-Pole	12
	Snap-In Device Connectors, 3-Pole	22
	Snap-In Device Connectors, 4-Pole	30
	Snap-In Device Connectors, 5-Pole	38
	890 Series	
	Distribution Connectors, 2-Pole	13
	Distribution Connectors, 3-Pole	23
	Distribution Connectors, 4-Pole	31
	Distribution Connectors, 5-Pole	39
	891 Series	
	PCB Connectors, 2-Pole	14 - 15
	PCB Connectors, 3-Pole	24 - 25
	PCB Connectors, 4-Pole	32 - 33
	PCB Connectors, 5-Pole	40 - 41
	891 Series	
	Cable Assemblies, 2-Pole	16 - 18
	Cable Assemblies, 3-Pole	26 - 27
	Cable Assemblies, 4-Pole	34
	Cable Assemblies, 5-Pole	42 - 43

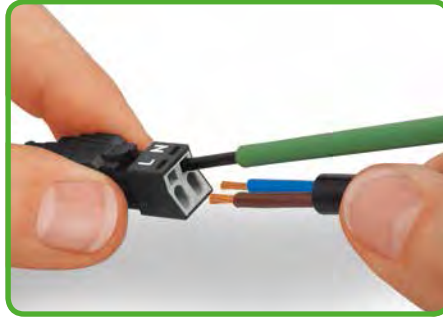
WINSTA® MINI, 890 Series Handling:

Preparation



1. Strip length, outer insulation = x mm ❶
2. Strip length = 9 mm
3. Extended ground conductor = 8 mm

Termination via CAGE CLAMP® S



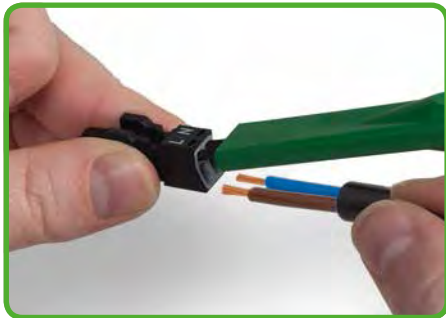
To terminate fine-stranded conductors, open clamping unit via 2.5 mm screwdriver and insert stripped conductor until it hits backstop.
Solid conductors can be connected via push-in termination.

Strain relief installation



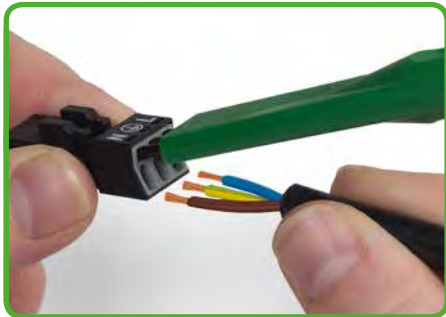
Latch wired connector onto the base of the strain relief housing.

Conductor termination with . . .



To terminate fine-stranded conductors, open clamping units via 890-382 Operating Tool and insert stripped conductors until they hit backstop.
Solid conductors can be connected via push-in termination.

. . . operating tool



To terminate fine-stranded conductors, open clamping units via 890-383 Operating Tool and insert stripped conductors until they hit backstop.
Solid conductors can be connected via push-in termination.



Shield termination



Connector with shield termination



Apply the shield to the rubber cable.
Strip length, outer insulation = 30 mm
Shield length = 8 mm



Push the shield connecting plate into the connector until fully inserted.

❶ Strip length, outer insulation: 2-pole = 30 mm, 3-pole = 37 mm, 4- and 5-pole = 45 mm



Push down strain relief clamp by hand.



Push down strain relief clamp via 2.5 mm screwdriver alternately on both sides.



Latch the top of the strain relief housing.



Mounting plate installation



Securing the mounting plate via fixing pins.

Snapping on distribution connector



The distribution connectors snap together when attached to the mounting plate.

Locking lever assembly



First insert wired connector into strain relief housing, then snap clamp and cover.



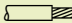
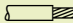
All connectors (snap-in versions, distribution connectors) for fixed installations are factory-equipped with locking levers to ensure plugs and sockets are securely locked. Additional locking levers are only required for "flying leads" (plug/socket).

Marking



The printed marking of the connector is clearly visible in the openings of the strain relief housing.



WINSTA® MINI Sockets and Plugs, 2-Pole





<p>0.25–1.5 mm² ① 250 V/4 kV/3 I_N 16 A</p> <p> 9 mm / 0.35 in.</p> <p>② Approvals</p>	<p>22–16 AWG</p>	<p>0.25–1.5 mm² ① 250 V/4 kV/3 I_N 16 A</p> <p> 9 mm / 0.35 in.</p> <p>② Approvals</p>	<p>22–16 AWG</p>
--	------------------	--	------------------

Note:
All connectors for fixed installations (snap-in versions for lighting fixtures, devices or all types of PCBs and distribution cabinets) are factory-equipped with locking levers to ensure plugs and sockets are securely locked. Additional locking levers are only required for “flying leads” (plug/socket).



Description	Color	Item No.	Pack. Unit	Color	Item No.	Pack. Unit
Connectors, 2-pole, with CAGE CLAMP® S connection	Socket with strain relief housing, for 3.8–8.2 mm cable diameter			Plug with strain relief housing, for 3.8–8.2 mm cable diameter		
	● black	890-102	50	● black	890-112	50
	○ white	890-122	50	○ white	890-132	50

Item-Specific Accessories						
	Operating tool, partially insulated 2-way			Operating tool, partially insulated 2-way		
		890-382	1		890-382	1

Accessories, 890 Series						
	Locking lever, for “flying leads”, tool operated			Locking lever, for “flying leads”, tool operated		
		black 890-111	100 (2x50)		black 890-111	100 (2x50)
		white 890-131	100 (2x50)		white 890-131	100 (2x50)
	Mounting carrier, for 2- to 5-pole “flying leads”			Mounting carrier, for 2- to 5-pole “flying leads”		
		black 890-310	100		black 890-310	100
		white 890-311	100		white 890-311	100

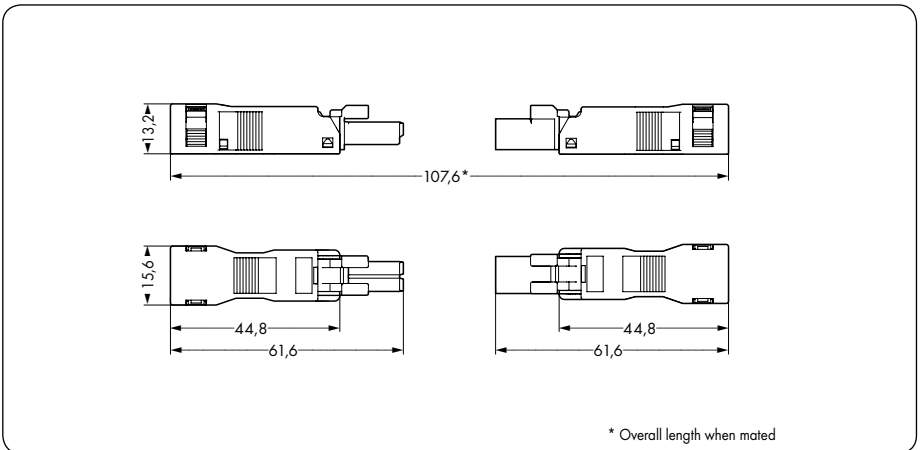
Info	Dimensions
------	------------

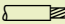
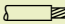
① Conductor sizes: 0.25–1.5 mm² “s + f-st”
0.25–1 mm² “stranded”

② For “International Certification Organizations” and “Approvals – User Guide”, see pages 300 to 303.

● black Coding A (L N)
○ white Coding A (L N)
● blue Coding I (+ -)





For coding information, see pages 284 to 286.
Fire load data available upon request.

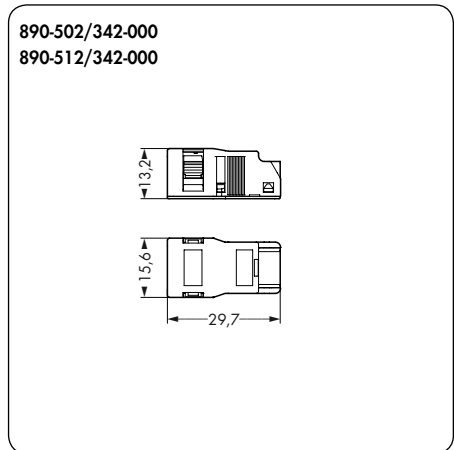
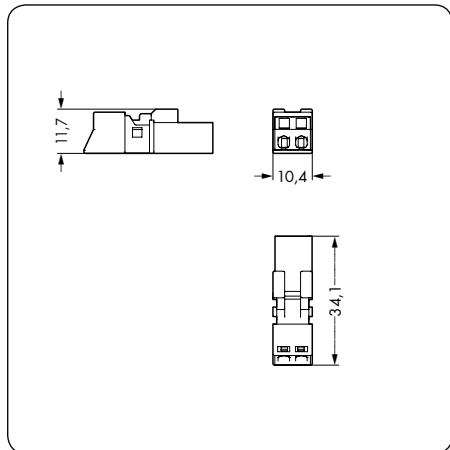
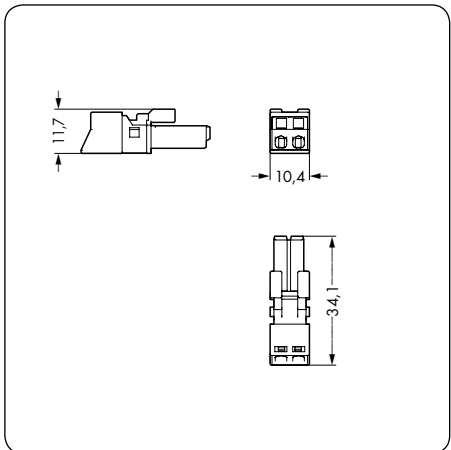
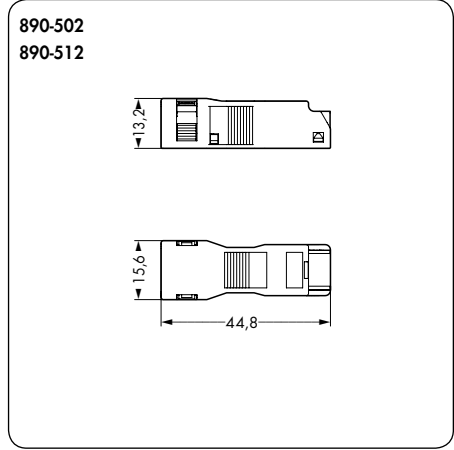


<p>0.25-1.5 mm² ① 250 V/4 kV/3 I_N 16 A</p> <p> 9 mm / 0.35 in.</p> <p>② Approvals</p>	<p>22-16 AWG</p>	<p>0.25-1.5 mm² ① 250 V/4 kV/3 I_N 16 A</p> <p> 9 mm / 0.35 in.</p> <p>② Approvals</p>	<p>22-16 AWG</p>	<p>Snap-on type strain relief housings for:</p> <ul style="list-style-type: none"> - 2-pole sockets - 2-pole plugs
--	------------------	--	------------------	--



Color	Item No.	Pack. Unit	Color	Item No.	Pack. Unit	Color	Item No.	Pack. Unit
Socket without strain relief housing			Plug without strain relief housing			Strain relief housing, for 3.8-8.2 mm cable diameter		
● black	890-202	50	● black	890-212	50	black	890-502	50
○ white	890-222	50	○ white	890-232	50	white	890-512	50
● blue	890-1102	50	● blue	890-1112	50	Short version, e.g. for LED lights:		
						black	890-502/342-000	50
						white	890-512/342-000	50

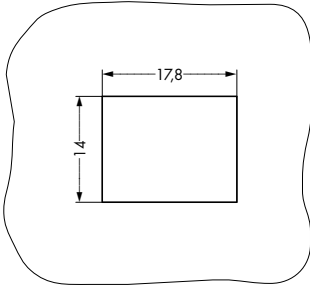
Item-Specific Accessories		
Operating tool, partially insulated		
	2-way	890-382 1
Operating tool, partially insulated		
	2-way	890-382 1
Accessories, 890 Series		
Locking lever, for "flying leads", tool operated		
	black 890-111 100 (2x50)	
	white 890-131 100 (2x50)	
Mounting carrier, for 2- to 5-pole "flying leads"		
	black 890-310 100	
	white 890-311 100	
Dimensions		



WINSTA® MINI Snap-In Sockets and Plugs, 2-Pole



Cutout dimensions Plate thickness: 0.5–2 mm Cutout tolerance: + 0.1 mm	0.25–1.5 mm ² ① 250 V/4 kV/3 I _N 16 A	22–16 AWG	0.25–1.5 mm ² ① 250 V/4 kV/3 I _N 16 A	22–16 AWG
	9 mm / 0.35 in. ② Approvals		9 mm / 0.35 in. ② Approvals	



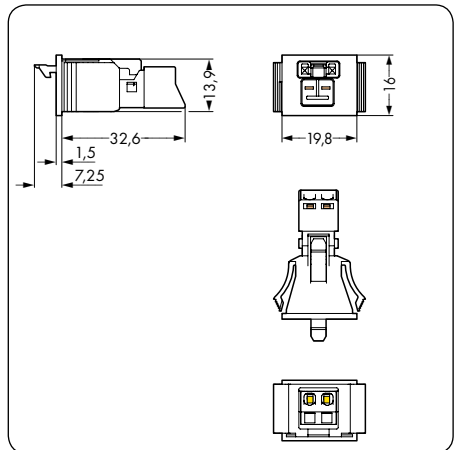
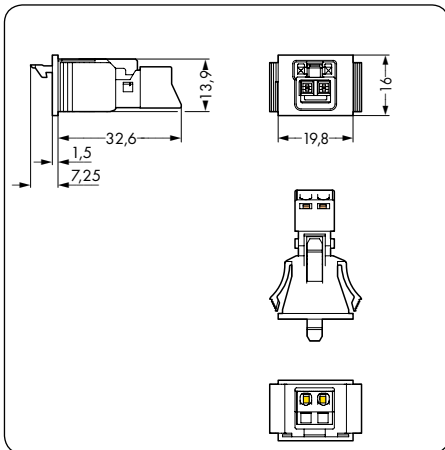
Description	Color	Item No.	Pack. Unit	Color	Item No.	Pack. Unit
Connectors, snap-in device connection, 2-pole, with CAGE CLAMP® S connection	Socket			Plug		
	● black	890-702	50	● black	890-712	50
	○ white	890-722	50	○ white	890-732	50
	● blue	890-2102	50	● blue	890-2112	50

Item-Specific Accessories						
		Operating tool, partially insulated 2-way 		Operating tool, partially insulated 2-way 		
		890-382	1	890-382	1	

Accessories, 890 Series							
		Lockout cap, for cutout, 2-pole 		Lockout cap, for cutout, 2-pole 			
		black	890-642	100	black	890-642	100
		white	890-692	100	white	890-692	100

Info	Dimensions
------	------------

- ① Conductor sizes: 0.25–1.5 mm² "s + f-st"
0.25–1 mm² "stranded"
 - ② For "International Certification Organizations" and "Approvals – User Guide", see pages 300 to 303.
 - ③ 5.0 mm Ø, 0.2–1.2 mm plate thickness
- | | | |
|---------|----------|-------|
| ● black | Coding A | (L N) |
| ○ white | Coding A | (L N) |
| ● blue | Coding I | (+ -) |
- For coding information, see pages 284 to 286.
Fire load data available upon request.





WINSTA® MINI


Distribution Connectors, 2-Pole

	250 V/4 kV/3 I_N 16 A ② Approvals	250 V/4 kV/3 I_N 16 A ② Approvals
--	---	---

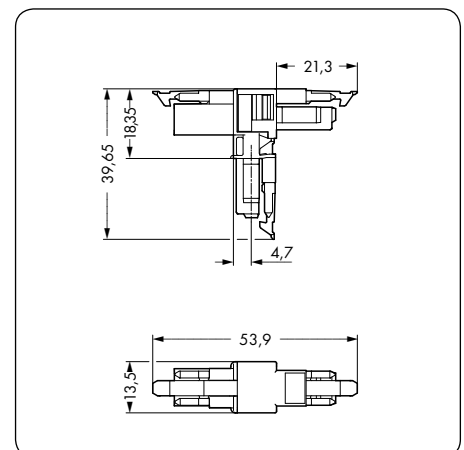
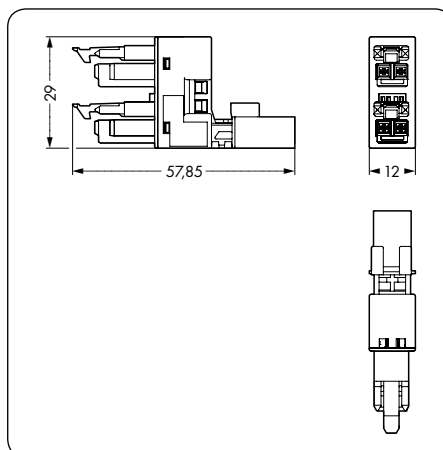


Description	Color	Item No.	Pack. Unit	Color	Item No.	Pack. Unit
h-distribution connector, 2-pole	h-distribution connector, unidirectional, plug/socket - socket			T-distribution connector, 1 x plug/2 x socket		
T-distribution connector, 2-pole	● black	890-1634	50	● black	890-1606	25
	○ white	890-1684	50	○ white	890-1656	25
				● blue	890-1617	25
	for "flying leads", with 3rd locking lever			for "flying leads", with 3rd locking lever		
	● black	890-1636	50	● black	890-1615	25
	○ white	890-1686	50	○ white	890-1665	25
				● blue	890-1620	25

Item-Specific Accessories						
Mounting plate , for distribution connectors						
			black	890-1622	100	
			white	890-1672	100	
Fixing pin , for mounting plates						
			● black	890-601	250	

Accessories, 890 Series								
			Locking lever , for "flying leads", tool operated		Locking lever , for "flying leads", tool operated			
			black	890-111	100 (2x50)	black	890-111	100 (2x50)
			white	890-131	100 (2x50)	white	890-131	100 (2x50)

Dimensions



WINSTA® MINI PCB Connectors, 2-Pole

	250 V/4 kV/3 I_N 16 A ① Approvals	250 V/4 kV/3 I_N 16 A ① Approvals
--	---	---

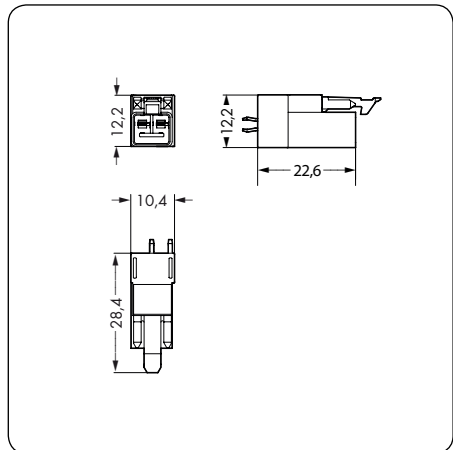
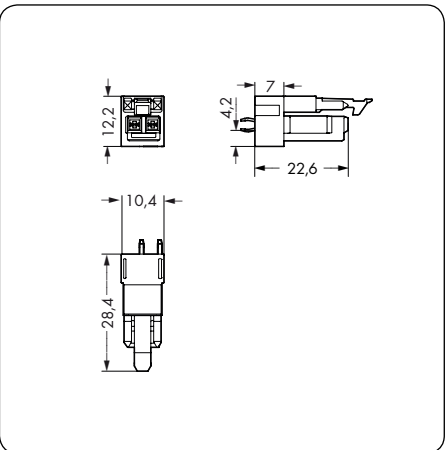


Description	Color	Item No.	Pack. Unit	Color	Item No.	Pack. Unit
PCB connectors, 2 solder pins per pole	Socket, straight			Plug, straight		
	● black	890-802	100	● black	890-812	100
	○ white	890-822	100	○ white	890-832	100
	● blue	890-3102	100	● blue	890-3112	100
Info	Dimensions					

① For "International Certification Organizations" and "Approvals – User Guide", see pages 300 to 303.

● black Coding A (L N)
 ○ white Coding A (L N)
 ● blue Coding I (+ -)

For coding information, see pages 284 to 286.
 Fire load data available upon request.



WINSTA® MINI

Cable Assemblies 2 x 1 mm²

	<p>PVC H05VV-F 2x1 halogen-free H05Z1Z1-F 2x1</p> <p>250 V/4 kV/3 I_N 10 A</p> <p>Conductor ends, bonded: 9 mm</p> <p>① Approvals</p>																																																							
Interconnecting cable, socket – plug	<table border="1"> <thead> <tr> <th>Length</th> <th>Item No. black</th> <th>Item No. white</th> <th>Item No. black</th> <th>Item No. white</th> </tr> </thead> <tbody> <tr> <td colspan="5">● ○ Coding A</td> </tr> <tr> <td colspan="2">PVC</td> <td colspan="3">halogen-free</td> </tr> <tr><td>1 m</td><td>891-8992/005-101</td><td>891-8992/005-102</td><td>891-8992/015-101</td><td>891-8992/015-102</td></tr> <tr><td>2 m</td><td>891-8992/005-201</td><td>891-8992/005-202</td><td>891-8992/015-201</td><td>891-8992/015-202</td></tr> <tr><td>3 m</td><td>891-8992/005-301</td><td>891-8992/005-302</td><td>891-8992/015-301</td><td>891-8992/015-302</td></tr> <tr><td>4 m</td><td>891-8992/005-401</td><td>891-8992/005-402</td><td>891-8992/015-401</td><td>891-8992/015-402</td></tr> <tr><td>5 m</td><td>891-8992/005-501</td><td>891-8992/005-502</td><td>891-8992/015-501</td><td>891-8992/015-502</td></tr> <tr><td>6 m</td><td>891-8992/005-601</td><td>891-8992/005-602</td><td>891-8992/015-601</td><td>891-8992/015-602</td></tr> <tr><td>7 m</td><td>891-8992/005-701</td><td>891-8992/005-702</td><td>891-8992/015-701</td><td>891-8992/015-702</td></tr> <tr><td>8 m</td><td>891-8992/005-801</td><td>891-8992/005-802</td><td>891-8992/015-801</td><td>891-8992/015-802</td></tr> </tbody> </table>	Length	Item No. black	Item No. white	Item No. black	Item No. white	● ○ Coding A					PVC		halogen-free			1 m	891-8992/005-101	891-8992/005-102	891-8992/015-101	891-8992/015-102	2 m	891-8992/005-201	891-8992/005-202	891-8992/015-201	891-8992/015-202	3 m	891-8992/005-301	891-8992/005-302	891-8992/015-301	891-8992/015-302	4 m	891-8992/005-401	891-8992/005-402	891-8992/015-401	891-8992/015-402	5 m	891-8992/005-501	891-8992/005-502	891-8992/015-501	891-8992/015-502	6 m	891-8992/005-601	891-8992/005-602	891-8992/015-601	891-8992/015-602	7 m	891-8992/005-701	891-8992/005-702	891-8992/015-701	891-8992/015-702	8 m	891-8992/005-801	891-8992/005-802	891-8992/015-801	891-8992/015-802
Length	Item No. black	Item No. white	Item No. black	Item No. white																																																				
● ○ Coding A																																																								
PVC		halogen-free																																																						
1 m	891-8992/005-101	891-8992/005-102	891-8992/015-101	891-8992/015-102																																																				
2 m	891-8992/005-201	891-8992/005-202	891-8992/015-201	891-8992/015-202																																																				
3 m	891-8992/005-301	891-8992/005-302	891-8992/015-301	891-8992/015-302																																																				
4 m	891-8992/005-401	891-8992/005-402	891-8992/015-401	891-8992/015-402																																																				
5 m	891-8992/005-501	891-8992/005-502	891-8992/015-501	891-8992/015-502																																																				
6 m	891-8992/005-601	891-8992/005-602	891-8992/015-601	891-8992/015-602																																																				
7 m	891-8992/005-701	891-8992/005-702	891-8992/015-701	891-8992/015-702																																																				
8 m	891-8992/005-801	891-8992/005-802	891-8992/015-801	891-8992/015-802																																																				
Connecting cable, socket – free end	<table border="1"> <thead> <tr> <th>Length</th> <th>Item No. black</th> <th>Item No. white</th> <th>Item No. black</th> <th>Item No. white</th> </tr> </thead> <tbody> <tr> <td colspan="5">● ○ Coding A</td> </tr> <tr> <td colspan="2">PVC</td> <td colspan="3">halogen-free</td> </tr> <tr><td>1 m</td><td>891-8992/105-101</td><td>891-8992/105-102</td><td>891-8992/115-101</td><td>891-8992/115-102</td></tr> <tr><td>2 m</td><td>891-8992/105-201</td><td>891-8992/105-202</td><td>891-8992/115-201</td><td>891-8992/115-202</td></tr> <tr><td>3 m</td><td>891-8992/105-301</td><td>891-8992/105-302</td><td>891-8992/115-301</td><td>891-8992/115-302</td></tr> <tr><td>4 m</td><td>891-8992/105-401</td><td>891-8992/105-402</td><td>891-8992/115-401</td><td>891-8992/115-402</td></tr> <tr><td>5 m</td><td>891-8992/105-501</td><td>891-8992/105-502</td><td>891-8992/115-501</td><td>891-8992/115-502</td></tr> <tr><td>6 m</td><td>891-8992/105-601</td><td>891-8992/105-602</td><td>891-8992/115-601</td><td>891-8992/115-602</td></tr> <tr><td>7 m</td><td>891-8992/105-701</td><td>891-8992/105-702</td><td>891-8992/115-701</td><td>891-8992/115-702</td></tr> <tr><td>8 m</td><td>891-8992/105-801</td><td>891-8992/105-802</td><td>891-8992/115-801</td><td>891-8992/115-802</td></tr> </tbody> </table>	Length	Item No. black	Item No. white	Item No. black	Item No. white	● ○ Coding A					PVC		halogen-free			1 m	891-8992/105-101	891-8992/105-102	891-8992/115-101	891-8992/115-102	2 m	891-8992/105-201	891-8992/105-202	891-8992/115-201	891-8992/115-202	3 m	891-8992/105-301	891-8992/105-302	891-8992/115-301	891-8992/115-302	4 m	891-8992/105-401	891-8992/105-402	891-8992/115-401	891-8992/115-402	5 m	891-8992/105-501	891-8992/105-502	891-8992/115-501	891-8992/115-502	6 m	891-8992/105-601	891-8992/105-602	891-8992/115-601	891-8992/115-602	7 m	891-8992/105-701	891-8992/105-702	891-8992/115-701	891-8992/115-702	8 m	891-8992/105-801	891-8992/105-802	891-8992/115-801	891-8992/115-802
Length	Item No. black	Item No. white	Item No. black	Item No. white																																																				
● ○ Coding A																																																								
PVC		halogen-free																																																						
1 m	891-8992/105-101	891-8992/105-102	891-8992/115-101	891-8992/115-102																																																				
2 m	891-8992/105-201	891-8992/105-202	891-8992/115-201	891-8992/115-202																																																				
3 m	891-8992/105-301	891-8992/105-302	891-8992/115-301	891-8992/115-302																																																				
4 m	891-8992/105-401	891-8992/105-402	891-8992/115-401	891-8992/115-402																																																				
5 m	891-8992/105-501	891-8992/105-502	891-8992/115-501	891-8992/115-502																																																				
6 m	891-8992/105-601	891-8992/105-602	891-8992/115-601	891-8992/115-602																																																				
7 m	891-8992/105-701	891-8992/105-702	891-8992/115-701	891-8992/115-702																																																				
8 m	891-8992/105-801	891-8992/105-802	891-8992/115-801	891-8992/115-802																																																				
Connecting cable, plug – free end	<table border="1"> <thead> <tr> <th>Length</th> <th>Item No. black</th> <th>Item No. white</th> <th>Item No. black</th> <th>Item No. white</th> </tr> </thead> <tbody> <tr> <td colspan="5">● ○ Coding A</td> </tr> <tr> <td colspan="2">PVC</td> <td colspan="3">halogen-free</td> </tr> <tr><td>1 m</td><td>891-8992/205-101</td><td>891-8992/205-102</td><td>891-8992/215-101</td><td>891-8992/215-102</td></tr> <tr><td>2 m</td><td>891-8992/205-201</td><td>891-8992/205-202</td><td>891-8992/215-201</td><td>891-8992/215-202</td></tr> <tr><td>3 m</td><td>891-8992/205-301</td><td>891-8992/205-302</td><td>891-8992/215-301</td><td>891-8992/215-302</td></tr> <tr><td>4 m</td><td>891-8992/205-401</td><td>891-8992/205-402</td><td>891-8992/215-401</td><td>891-8992/215-402</td></tr> <tr><td>5 m</td><td>891-8992/205-501</td><td>891-8992/205-502</td><td>891-8992/215-501</td><td>891-8992/215-502</td></tr> <tr><td>6 m</td><td>891-8992/205-601</td><td>891-8992/205-602</td><td>891-8992/215-601</td><td>891-8992/215-602</td></tr> <tr><td>7 m</td><td>891-8992/205-701</td><td>891-8992/205-702</td><td>891-8992/215-701</td><td>891-8992/215-702</td></tr> <tr><td>8 m</td><td>891-8992/205-801</td><td>891-8992/205-802</td><td>891-8992/215-801</td><td>891-8992/215-802</td></tr> </tbody> </table>	Length	Item No. black	Item No. white	Item No. black	Item No. white	● ○ Coding A					PVC		halogen-free			1 m	891-8992/205-101	891-8992/205-102	891-8992/215-101	891-8992/215-102	2 m	891-8992/205-201	891-8992/205-202	891-8992/215-201	891-8992/215-202	3 m	891-8992/205-301	891-8992/205-302	891-8992/215-301	891-8992/215-302	4 m	891-8992/205-401	891-8992/205-402	891-8992/215-401	891-8992/215-402	5 m	891-8992/205-501	891-8992/205-502	891-8992/215-501	891-8992/215-502	6 m	891-8992/205-601	891-8992/205-602	891-8992/215-601	891-8992/215-602	7 m	891-8992/205-701	891-8992/205-702	891-8992/215-701	891-8992/215-702	8 m	891-8992/205-801	891-8992/205-802	891-8992/215-801	891-8992/215-802
Length	Item No. black	Item No. white	Item No. black	Item No. white																																																				
● ○ Coding A																																																								
PVC		halogen-free																																																						
1 m	891-8992/205-101	891-8992/205-102	891-8992/215-101	891-8992/215-102																																																				
2 m	891-8992/205-201	891-8992/205-202	891-8992/215-201	891-8992/215-202																																																				
3 m	891-8992/205-301	891-8992/205-302	891-8992/215-301	891-8992/215-302																																																				
4 m	891-8992/205-401	891-8992/205-402	891-8992/215-401	891-8992/215-402																																																				
5 m	891-8992/205-501	891-8992/205-502	891-8992/215-501	891-8992/215-502																																																				
6 m	891-8992/205-601	891-8992/205-602	891-8992/215-601	891-8992/215-602																																																				
7 m	891-8992/205-701	891-8992/205-702	891-8992/215-701	891-8992/215-702																																																				
8 m	891-8992/205-801	891-8992/205-802	891-8992/215-801	891-8992/215-802																																																				
Info	Accessories																																																							
<p>① For "International Certification Organizations" and "Approvals – User Guide", see pages 300 to 303.</p> <p>For other cables, please contact factory.</p> <p>● black Coding A (L N) ○ white Coding A (L N)</p> <p>For coding information, see pages 284 to 286. Fire load data available upon request.</p>	<p>Locking lever, for "flying leads",</p> <table border="1"> <tr> <td rowspan="2"></td> <td>tool operated</td> <td></td> <td></td> </tr> <tr> <td>black</td> <td>890-111</td> <td>100 (2x50)</td> </tr> <tr> <td></td> <td>white</td> <td>890-131</td> <td>100 (2x50)</td> </tr> </table> <p>Mounting carrier, for 2- to 5-pole "flying leads"</p> <table border="1"> <tr> <td rowspan="2"></td> <td>black</td> <td>890-310</td> <td>100</td> </tr> <tr> <td>white</td> <td>890-311</td> <td>100</td> </tr> </table>		tool operated			black	890-111	100 (2x50)		white	890-131	100 (2x50)		black	890-310	100	white	890-311	100																																					
	tool operated																																																							
	black	890-111	100 (2x50)																																																					
	white	890-131	100 (2x50)																																																					
	black	890-310	100																																																					
	white	890-311	100																																																					

	PVC	H05VV-F 2x1.5			
	halogen-free	H05Z1Z1-F 2x1.5			
	250 V/4 kV/3 I _N 16 A				
	Conductor ends, bonded: 9 mm				
	① Approvals				
Interconnecting cable, socket – plug	Length	Item No. black	Item No. white	Item No. black	Item No. white
	● ○ Coding A				
	PVC		halogen-free		
	1 m	891-8992/006-101	891-8992/006-102	891-8992/016-101	891-8992/016-102
	2 m	891-8992/006-201	891-8992/006-202	891-8992/016-201	891-8992/016-202
	3 m	891-8992/006-301	891-8992/006-302	891-8992/016-301	891-8992/016-302
	4 m	891-8992/006-401	891-8992/006-402	891-8992/016-401	891-8992/016-402
	5 m	891-8992/006-501	891-8992/006-502	891-8992/016-501	891-8992/016-502
	6 m	891-8992/006-601	891-8992/006-602	891-8992/016-601	891-8992/016-602
	7 m	891-8992/006-701	891-8992/006-702	891-8992/016-701	891-8992/016-702
	8 m	891-8992/006-801	891-8992/006-802	891-8992/016-801	891-8992/016-802
Connecting cable, socket – free end	Length	Item No. black	Item No. white	Item No. black	Item No. white
	● ○ Coding A				
	PVC		halogen-free		
	1 m	891-8992/106-101	891-8992/106-102	891-8992/116-101	891-8992/116-102
	2 m	891-8992/106-201	891-8992/106-202	891-8992/116-201	891-8992/116-202
	3 m	891-8992/106-301	891-8992/106-302	891-8992/116-301	891-8992/116-302
	4 m	891-8992/106-401	891-8992/106-402	891-8992/116-401	891-8992/116-402
	5 m	891-8992/106-501	891-8992/106-502	891-8992/116-501	891-8992/116-502
	6 m	891-8992/106-601	891-8992/106-602	891-8992/116-601	891-8992/116-602
	7 m	891-8992/106-701	891-8992/106-702	891-8992/116-701	891-8992/116-702
	8 m	891-8992/106-801	891-8992/106-802	891-8992/116-801	891-8992/116-802
Connecting cable, plug – free end	Length	Item No. black	Item No. white	Item No. black	Item No. white
	● ○ Coding A				
	PVC		halogen-free		
	1 m	891-8992/206-101	891-8992/206-102	891-8992/216-101	891-8992/216-102
	2 m	891-8992/206-201	891-8992/206-202	891-8992/216-201	891-8992/216-202
	3 m	891-8992/206-301	891-8992/206-302	891-8992/216-301	891-8992/216-302
	4 m	891-8992/206-401	891-8992/206-402	891-8992/216-401	891-8992/216-402
	5 m	891-8992/206-501	891-8992/206-502	891-8992/216-501	891-8992/216-502
	6 m	891-8992/206-601	891-8992/206-602	891-8992/216-601	891-8992/216-602
	7 m	891-8992/206-701	891-8992/206-702	891-8992/216-701	891-8992/216-702
	8 m	891-8992/206-801	891-8992/206-802	891-8992/216-801	891-8992/216-802
Accessories					
Locking lever, for "flying leads",					
		tool operated			
		black	890-111	100 (2x50)	
		white	890-131	100 (2x50)	
Mounting carrier, for 2- to 5-pole					
		"flying leads"			
		black	890-310	100	
		white	890-311	100	

	<p>PVC H05VV-F 2x1.5 halogen-free H05Z1Z1-F 2x1.5</p> <p>250 V/4 kV/3 I_N 16 A</p> <p>Conductor ends, bonded: 9 mm</p> <p>① Approvals</p>
--	---

<p>Interconnecting cable, socket – plug</p>	<p>Length Item No. black Item No. white Item No. black Item No. white</p>																																												
	<p>● Coding I, e.g., for dimming function (DALI)</p> <table border="1"> <thead> <tr> <th></th> <th colspan="2">PVC</th> <th colspan="2">halogen-free</th> </tr> </thead> <tbody> <tr><td>1 m</td><td>891-8982/006-101</td><td>891-8982/006-102</td><td>891-8982/016-101</td><td>891-8982/016-102</td></tr> <tr><td>2 m</td><td>891-8982/006-201</td><td>891-8982/006-202</td><td>891-8982/016-201</td><td>891-8982/016-202</td></tr> <tr><td>3 m</td><td>891-8982/006-301</td><td>891-8982/006-302</td><td>891-8982/016-301</td><td>891-8982/016-302</td></tr> <tr><td>4 m</td><td>891-8982/006-401</td><td>891-8982/006-402</td><td>891-8982/016-401</td><td>891-8982/016-402</td></tr> <tr><td>5 m</td><td>891-8982/006-501</td><td>891-8982/006-502</td><td>891-8982/016-501</td><td>891-8982/016-502</td></tr> <tr><td>6 m</td><td>891-8982/006-601</td><td>891-8982/006-602</td><td>891-8982/016-601</td><td>891-8982/016-602</td></tr> <tr><td>7 m</td><td>891-8982/006-701</td><td>891-8982/006-702</td><td>891-8982/016-701</td><td>891-8982/016-702</td></tr> <tr><td>8 m</td><td>891-8982/006-801</td><td>891-8982/006-802</td><td>891-8982/016-801</td><td>891-8982/016-802</td></tr> </tbody> </table>		PVC		halogen-free		1 m	891-8982/006-101	891-8982/006-102	891-8982/016-101	891-8982/016-102	2 m	891-8982/006-201	891-8982/006-202	891-8982/016-201	891-8982/016-202	3 m	891-8982/006-301	891-8982/006-302	891-8982/016-301	891-8982/016-302	4 m	891-8982/006-401	891-8982/006-402	891-8982/016-401	891-8982/016-402	5 m	891-8982/006-501	891-8982/006-502	891-8982/016-501	891-8982/016-502	6 m	891-8982/006-601	891-8982/006-602	891-8982/016-601	891-8982/016-602	7 m	891-8982/006-701	891-8982/006-702	891-8982/016-701	891-8982/016-702	8 m	891-8982/006-801	891-8982/006-802	891-8982/016-801
	PVC		halogen-free																																										
1 m	891-8982/006-101	891-8982/006-102	891-8982/016-101	891-8982/016-102																																									
2 m	891-8982/006-201	891-8982/006-202	891-8982/016-201	891-8982/016-202																																									
3 m	891-8982/006-301	891-8982/006-302	891-8982/016-301	891-8982/016-302																																									
4 m	891-8982/006-401	891-8982/006-402	891-8982/016-401	891-8982/016-402																																									
5 m	891-8982/006-501	891-8982/006-502	891-8982/016-501	891-8982/016-502																																									
6 m	891-8982/006-601	891-8982/006-602	891-8982/016-601	891-8982/016-602																																									
7 m	891-8982/006-701	891-8982/006-702	891-8982/016-701	891-8982/016-702																																									
8 m	891-8982/006-801	891-8982/006-802	891-8982/016-801	891-8982/016-802																																									

<p>Connecting cable, socket – free end</p>	<p>Length Item No. black Item No. white Item No. black Item No. white</p>																																												
	<p>● Coding I, e.g., for dimming function (DALI)</p> <table border="1"> <thead> <tr> <th></th> <th colspan="2">PVC</th> <th colspan="2">halogen-free</th> </tr> </thead> <tbody> <tr><td>1 m</td><td>891-8982/106-101</td><td>891-8982/106-102</td><td>891-8982/116-101</td><td>891-8982/116-102</td></tr> <tr><td>2 m</td><td>891-8982/106-201</td><td>891-8982/106-202</td><td>891-8982/116-201</td><td>891-8982/116-202</td></tr> <tr><td>3 m</td><td>891-8982/106-301</td><td>891-8982/106-302</td><td>891-8982/116-301</td><td>891-8982/116-302</td></tr> <tr><td>4 m</td><td>891-8982/106-401</td><td>891-8982/106-402</td><td>891-8982/116-401</td><td>891-8982/116-402</td></tr> <tr><td>5 m</td><td>891-8982/106-501</td><td>891-8982/106-502</td><td>891-8982/116-501</td><td>891-8982/116-502</td></tr> <tr><td>6 m</td><td>891-8982/106-601</td><td>891-8982/106-602</td><td>891-8982/116-601</td><td>891-8982/116-602</td></tr> <tr><td>7 m</td><td>891-8982/106-701</td><td>891-8982/106-702</td><td>891-8982/116-701</td><td>891-8982/116-702</td></tr> <tr><td>8 m</td><td>891-8982/106-801</td><td>891-8982/106-802</td><td>891-8982/116-801</td><td>891-8982/116-802</td></tr> </tbody> </table>		PVC		halogen-free		1 m	891-8982/106-101	891-8982/106-102	891-8982/116-101	891-8982/116-102	2 m	891-8982/106-201	891-8982/106-202	891-8982/116-201	891-8982/116-202	3 m	891-8982/106-301	891-8982/106-302	891-8982/116-301	891-8982/116-302	4 m	891-8982/106-401	891-8982/106-402	891-8982/116-401	891-8982/116-402	5 m	891-8982/106-501	891-8982/106-502	891-8982/116-501	891-8982/116-502	6 m	891-8982/106-601	891-8982/106-602	891-8982/116-601	891-8982/116-602	7 m	891-8982/106-701	891-8982/106-702	891-8982/116-701	891-8982/116-702	8 m	891-8982/106-801	891-8982/106-802	891-8982/116-801
	PVC		halogen-free																																										
1 m	891-8982/106-101	891-8982/106-102	891-8982/116-101	891-8982/116-102																																									
2 m	891-8982/106-201	891-8982/106-202	891-8982/116-201	891-8982/116-202																																									
3 m	891-8982/106-301	891-8982/106-302	891-8982/116-301	891-8982/116-302																																									
4 m	891-8982/106-401	891-8982/106-402	891-8982/116-401	891-8982/116-402																																									
5 m	891-8982/106-501	891-8982/106-502	891-8982/116-501	891-8982/116-502																																									
6 m	891-8982/106-601	891-8982/106-602	891-8982/116-601	891-8982/116-602																																									
7 m	891-8982/106-701	891-8982/106-702	891-8982/116-701	891-8982/116-702																																									
8 m	891-8982/106-801	891-8982/106-802	891-8982/116-801	891-8982/116-802																																									

<p>Connecting cable, plug – free end</p>	<p>Length Item No. black Item No. white Item No. black Item No. white</p>																																												
	<p>● Coding I, e.g., for dimming function (DALI)</p> <table border="1"> <thead> <tr> <th></th> <th colspan="2">PVC</th> <th colspan="2">halogen-free</th> </tr> </thead> <tbody> <tr><td>1 m</td><td>891-8982/206-101</td><td>891-8982/206-102</td><td>891-8982/216-101</td><td>891-8982/216-102</td></tr> <tr><td>2 m</td><td>891-8982/206-201</td><td>891-8982/206-202</td><td>891-8982/216-201</td><td>891-8982/216-202</td></tr> <tr><td>3 m</td><td>891-8982/206-301</td><td>891-8982/206-302</td><td>891-8982/216-301</td><td>891-8982/216-302</td></tr> <tr><td>4 m</td><td>891-8982/206-401</td><td>891-8982/206-402</td><td>891-8982/216-401</td><td>891-8982/216-402</td></tr> <tr><td>5 m</td><td>891-8982/206-501</td><td>891-8982/206-502</td><td>891-8982/216-501</td><td>891-8982/216-502</td></tr> <tr><td>6 m</td><td>891-8982/206-601</td><td>891-8982/206-602</td><td>891-8982/216-601</td><td>891-8982/216-602</td></tr> <tr><td>7 m</td><td>891-8982/206-701</td><td>891-8982/206-702</td><td>891-8982/216-701</td><td>891-8982/216-702</td></tr> <tr><td>8 m</td><td>891-8982/206-801</td><td>891-8982/206-802</td><td>891-8982/216-801</td><td>891-8982/216-802</td></tr> </tbody> </table>		PVC		halogen-free		1 m	891-8982/206-101	891-8982/206-102	891-8982/216-101	891-8982/216-102	2 m	891-8982/206-201	891-8982/206-202	891-8982/216-201	891-8982/216-202	3 m	891-8982/206-301	891-8982/206-302	891-8982/216-301	891-8982/216-302	4 m	891-8982/206-401	891-8982/206-402	891-8982/216-401	891-8982/216-402	5 m	891-8982/206-501	891-8982/206-502	891-8982/216-501	891-8982/216-502	6 m	891-8982/206-601	891-8982/206-602	891-8982/216-601	891-8982/216-602	7 m	891-8982/206-701	891-8982/206-702	891-8982/216-701	891-8982/216-702	8 m	891-8982/206-801	891-8982/206-802	891-8982/216-801
	PVC		halogen-free																																										
1 m	891-8982/206-101	891-8982/206-102	891-8982/216-101	891-8982/216-102																																									
2 m	891-8982/206-201	891-8982/206-202	891-8982/216-201	891-8982/216-202																																									
3 m	891-8982/206-301	891-8982/206-302	891-8982/216-301	891-8982/216-302																																									
4 m	891-8982/206-401	891-8982/206-402	891-8982/216-401	891-8982/216-402																																									
5 m	891-8982/206-501	891-8982/206-502	891-8982/216-501	891-8982/216-502																																									
6 m	891-8982/206-601	891-8982/206-602	891-8982/216-601	891-8982/216-602																																									
7 m	891-8982/206-701	891-8982/206-702	891-8982/216-701	891-8982/216-702																																									
8 m	891-8982/206-801	891-8982/206-802	891-8982/216-801	891-8982/216-802																																									

Info	Accessories
-------------	--------------------

① For "International Certification Organizations" and "Approvals – User Guide", see pages 300 to 303.

For other cables, please contact factory.

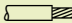
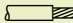
● blue Coding I (+ -)

For coding information, see pages 284 to 286.
Fire load data available upon request.

<p>Locking lever, for "flying leads",</p>	<p>tool operated</p> <table border="1"> <tr><td>black</td><td>890-111</td><td>100 (2x50)</td></tr> <tr><td>white</td><td>890-131</td><td>100 (2x50)</td></tr> </table>	black	890-111	100 (2x50)	white	890-131	100 (2x50)
black	890-111	100 (2x50)					
white	890-131	100 (2x50)					
<p>Mounting carrier, for 2- to 5-pole</p>	<p>"flying leads"</p> <table border="1"> <tr><td>black</td><td>890-310</td><td>100</td></tr> <tr><td>white</td><td>890-311</td><td>100</td></tr> </table>	black	890-310	100	white	890-311	100
black	890-310	100					
white	890-311	100					



WINSTA® MINI Sockets and Plugs, 3-Pole





<p>0.25–1.5 mm² ① 250 V/4 kV/3 I_N 16 A</p> <p> 9 mm / 0.35 in.</p> <p>② Approvals</p>	<p>22–16 AWG</p>	<p>0.25–1.5 mm² ① 250 V/4 kV/3 I_N 16 A</p> <p> 9 mm / 0.35 in.</p> <p>② Approvals</p>	<p>22–16 AWG</p>
--	------------------	--	------------------





Notice:

All connectors for fixed installations (snap-in versions for lighting fixtures, devices or all types of PCBs and distribution cabinets) are factory-equipped with locking levers to ensure plugs and sockets are securely locked. Additional locking levers are only required for “flying leads” (plug/socket).



Description	Color	Item No.	Pack. Unit	Color	Item No.	Pack. Unit
Connectors, 3-pole, with CAGE CLAMP® S connection	Socket with strain relief housing, for 4.5–10 mm cable diameter			Plug with strain relief housing, for 4.5–10 mm cable diameter		
	● black	890-103	50	● black	890-113	50
	○ white	890-123	50	○ white	890-133	50

Item-Specific Accessories						
	Operating tool, partially insulated 3-way 			Operating tool, partially insulated 3-way 		
		890-383	1		890-383	1
	Shield connecting plate, for plugs and sockets 3-way 			Shield connecting plate, for plugs and sockets 3-way 		
					890-523	1

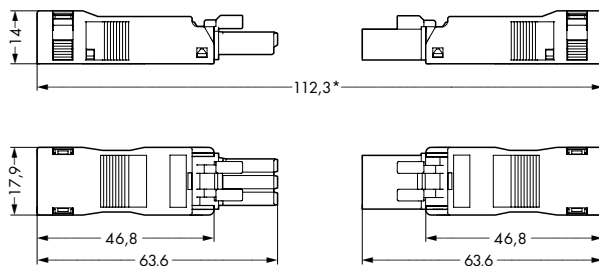
Accessories, 890 Series						
	Locking lever, for “flying leads”, tool operated 			Locking lever, for “flying leads”, tool operated 		
	black	890-111	100 (2x50)	black	890-111	100 (2x50)
	white	890-131	100 (2x50)	white	890-131	100 (2x50)
	Mounting carrier, for 2- to 5-pole “flying leads” 			Mounting carrier, for 2- to 5-pole “flying leads” 		
	black	890-310	100	black	890-310	100
	white	890-311	100	white	890-311	100

Info	Dimensions
------	------------

- ① Conductor sizes: 0.25–1.5 mm² “s + f-st”
0.25–1 mm² “stranded”
- ② For “International Certification Organizations” and “Approvals – User Guide”, see pages 300 to 303.

- black Coding A (L ⊕ N)
- white Coding A (L ⊕ N)

For coding information, see pages 284 to 286.
Fire load data available upon request.



* Overall length when mated

<p>0.25-1.5 mm² ① 250 V/4 kV/3 I_N 16 A</p> <p>9 mm / 0.35 in.</p> <p>② Approvals</p>	<p>22-16 AWG</p>	<p>0.25-1.5 mm² ① 250 V/4 kV/3 I_N 16 A</p> <p>9 mm / 0.35 in.</p> <p>② Approvals</p>	<p>22-16 AWG</p>	<p>Snap-on type strain relief housings for:</p> <ul style="list-style-type: none"> - 3-pole sockets - 3-pole plugs
--	------------------	--	------------------	--

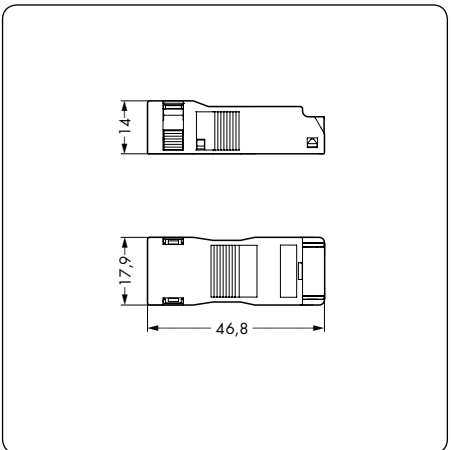
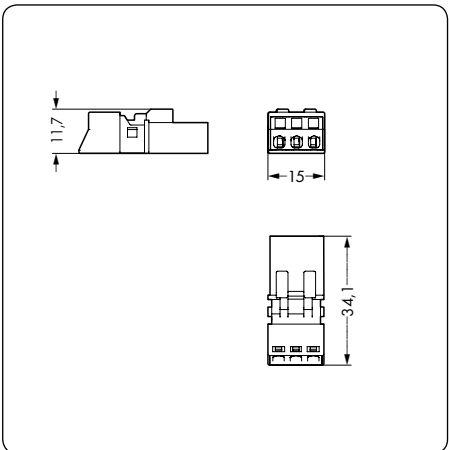
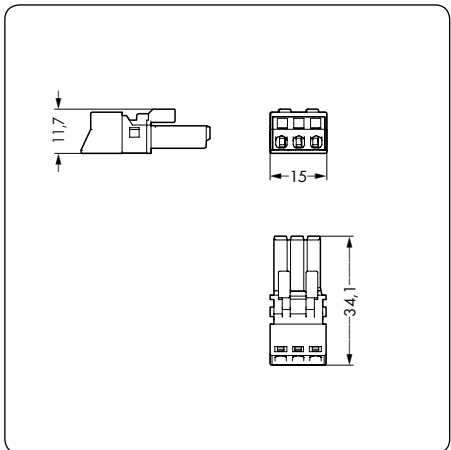


Color	Item No.	Pack. Unit	Color	Item No.	Pack. Unit	Color	Item No.	Pack. Unit
Socket without strain relief housing			Plug without strain relief housing			Strain relief housing, for 4.5-10 mm cable diameter		
● black	890-203	50	● black	890-213	50	black	890-503	50
○ white	890-223	50	○ white	890-233	50	white	890-513	50

Item-Specific Accessories								
Operating tool, partially insulated			Operating tool, partially insulated			Shield connecting plate, for plugs and sockets		
3-way			3-way			Shield connecting plate, for plugs and sockets		
890-383 1			890-383 1			890-523 50		

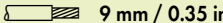
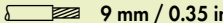
Accessories, 890 Series								
Locking lever, for "flying leads", tool operated			Locking lever, for "flying leads", tool operated					
black 890-111 100 (2x50)			black 890-111 100 (2x50)					
white 890-131 100 (2x50)			white 890-131 100 (2x50)					
Mounting carrier, for 2- to 5-pole "flying leads"			Mounting carrier, for 2- to 5-pole "flying leads"					
black 890-310 100			black 890-310 100					
white 890-311 100			white 890-311 100					

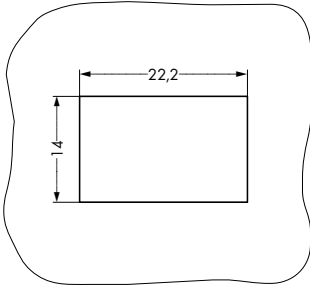
Dimensions





WINSTA® MINI Snap-In Sockets and Plugs, 3-Pole





Cutout dimensions Plate thickness: 0.5–2 mm Cutout tolerance: + 0.1 mm	0.25–1.5 mm ² ① 250 V/4 kV/3 I _N 16 A	22–16 AWG	0.25–1.5 mm ² ① 250 V/4 kV/3 I _N 16 A	22–16 AWG
	 9 mm / 0.35 in. ② Approvals		 9 mm / 0.35 in. ② Approvals	



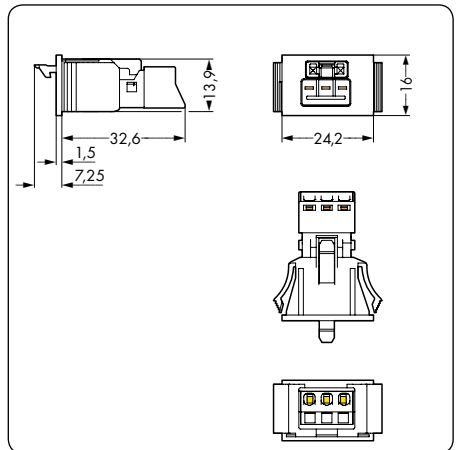
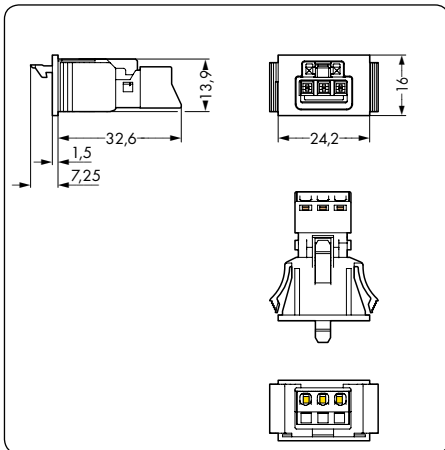
Description	Color	Item No.	Pack. Unit	Color	Item No.	Pack. Unit
Connectors, snap-in device connection, 3-pole, with CAGE CLAMP® S connection	Socket			Plug		
	● black	890-703	50	● black	890-713	50
	○ white	890-723	50	○ white	890-733	50
	without locking lever, for lighting installation with intermediate coupler			without locking lever, for lighting installation with intermediate coupler		
	● black	890-703/006-000	50	● black	890-713/006-000	50
	○ white	890-723/006-000	50	○ white	890-733/006-000	50

Item-Specific Accessories						
		Operating tool, partially insulated 3-way 		Operating tool, partially insulated 3-way 		
		890-383	1	890-383	1	

Accessories, 890 Series						
		Lockout cap, for cutout, 3-pole 		Lockout cap, for cutout, 3-pole 		
		black	890-643 100	black	890-643 100	
		white	890-693 100	white	890-693 100	

Info	Dimensions
------	------------

- ① Conductor sizes: 0.25–1.5 mm² "s + f-st"
0.25–1 mm² "stranded"
 - ② For "International Certification Organizations" and "Approvals – User Guide", see pages 300 to 303.
 - ③ 5.0 mm Ø, 0.2–1.2 mm plate thickness
- black Coding A (L ⊕ N)
○ white Coding A (L ⊕ N)
- For coding information, see pages 284 to 286.
Fire load data available upon request.



WINSTA® MINI



Intermediate Coupler and Distribution Connectors, 3-Pole

250 V/4 kV/3 I_N 16 A ② Approvals	250 V/4 kV/3 I_N 16 A ② Approvals	250 V/4 kV/3 I_N 16 A ② Approvals
---	---	---





Color	Item No.	Pack. Unit	Color	Item No.	Pack. Unit	Color	Item No.	Pack. Unit
Intermediate coupler , 1 x plug/1 x socket			h-distribution connector, unidirectional, plug/socket - socket			T-distribution connector, 1 x plug/2 x socket		
● black	890-603	50	● black	890-634	50	● black	890-606	25
○ white	890-653	50	○ white	890-684	50	○ white	890-656	25
At least one snap-in connector WITHOUT locking lever is required on one side when connecting two lights directly via intermediate coupler (see page 20).			for "flying leads", with 3rd locking lever			for "flying leads", with 3rd locking lever		
● black	890-636	50	● black	890-636	50	● black	890-615	25
○ white	890-686	50	○ white	890-686	50	○ white	890-665	25

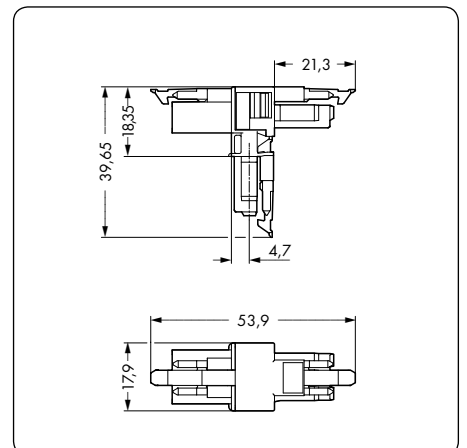
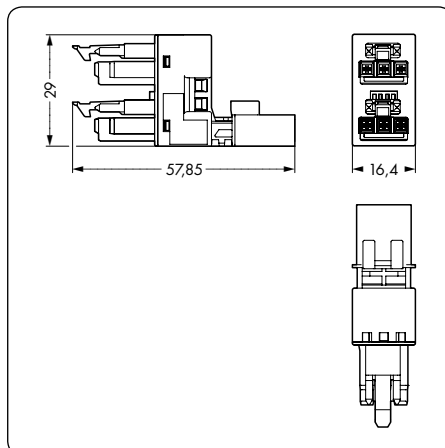
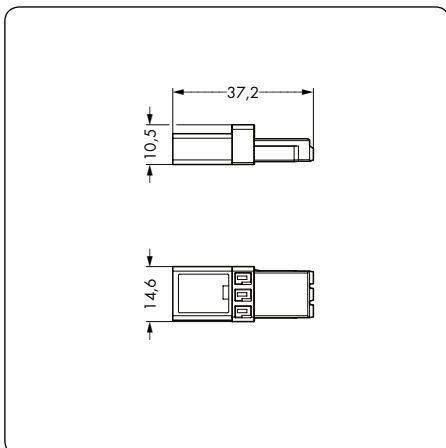
Item-Specific Accessories

			Mounting plate , for distribution connectors					
				black 890-623	100			
				white 890-673	100			
			Fixing pin , for mounting plates					
				③ black 890-601	250			

Accessories, 890 Series

			Locking lever , for "flying leads", tool operated			Locking lever , for "flying leads", tool operated		
				black 890-111	100 (2x50)		black 890-111	100 (2x50)
				white 890-131	100 (2x50)		white 890-131	100 (2x50)

Dimensions



WINSTA® MINI PCB Connectors, 3-Pole

	250 V/4 kV/3 I_N 16 A ① Approvals	250 V/4 kV/3 I_N 16 A ① Approvals
--	---	---

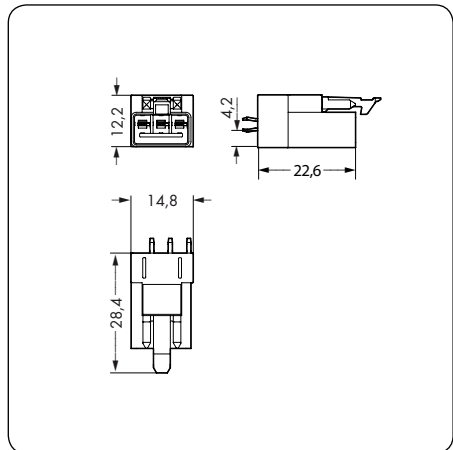
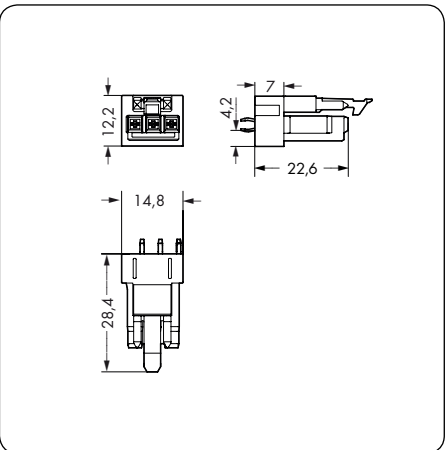


Description	Color	Item No.	Pack. Unit	Color	Item No.	Pack. Unit
PCB connectors, 2 solder pins per pole	Socket, straight			Plug, straight		
	● black	890-803	100	● black	890-813	100
	○ white	890-823	100	○ white	890-833	100
Info	Dimensions					

① For "International Certification Organizations" and "Approvals – User Guide", see pages 300 to 303.

● black Coding A (L ⊕ N)
 ○ white Coding A (L ⊕ N)

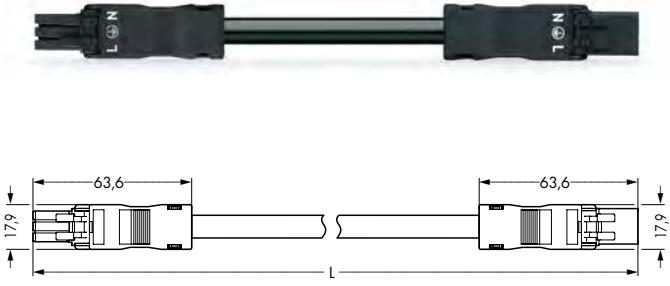
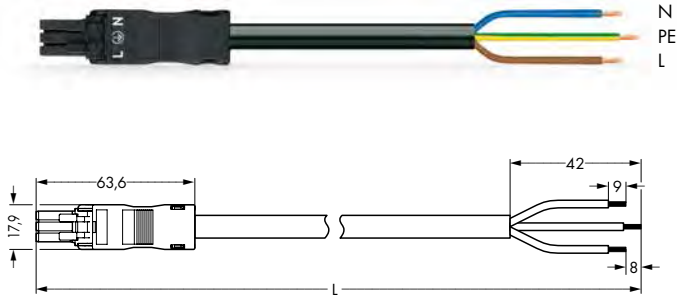
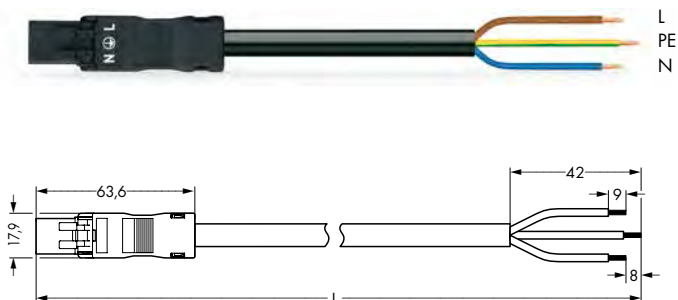






For coding information, see pages 284 to 286.
 Fire load data available upon request.



WINSTA® MINI

Cable Assemblies 3 x 1 mm²

		PVC	H05VV-F 3G1			
		halogen-free	H05Z1Z1-F 3G1			
		250 V/4 kV/3 I _N 10 A				
		Conductor ends, bonded: 9 mm				
		① Approvals				
Interconnecting cable, socket – plug		Length	Item No. black	Item No. white	Item No. black	Item No. white
		● ○ Coding A		halogen-free		
		PVC		halogen-free		
		1 m	891-8993/005-101	891-8993/005-102	891-8993/015-101	891-8993/015-102
		2 m	891-8993/005-201	891-8993/005-202	891-8993/015-201	891-8993/015-202
		3 m	891-8993/005-301	891-8993/005-302	891-8993/015-301	891-8993/015-302
		4 m	891-8993/005-401	891-8993/005-402	891-8993/015-401	891-8993/015-402
		5 m	891-8993/005-501	891-8993/005-502	891-8993/015-501	891-8993/015-502
		6 m	891-8993/005-601	891-8993/005-602	891-8993/015-601	891-8993/015-602
		7 m	891-8993/005-701	891-8993/005-702	891-8993/015-701	891-8993/015-702
		8 m	891-8993/005-801	891-8993/005-802	891-8993/015-801	891-8993/015-802
Connecting cable, socket – free end		Length	Item No. black	Item No. white	Item No. black	Item No. white
		● ○ Coding A		halogen-free		
		PVC		halogen-free		
		1 m	891-8993/105-101	891-8993/105-102	891-8993/115-101	891-8993/115-102
		2 m	891-8993/105-201	891-8993/105-202	891-8993/115-201	891-8993/115-202
		3 m	891-8993/105-301	891-8993/105-302	891-8993/115-301	891-8993/115-302
		4 m	891-8993/105-401	891-8993/105-402	891-8993/115-401	891-8993/115-402
		5 m	891-8993/105-501	891-8993/105-502	891-8993/115-501	891-8993/115-502
		6 m	891-8993/105-601	891-8993/105-602	891-8993/115-601	891-8993/115-602
		7 m	891-8993/105-701	891-8993/105-702	891-8993/115-701	891-8993/115-702
		8 m	891-8993/105-801	891-8993/105-802	891-8993/115-801	891-8993/115-802
Connecting cable, plug – free end		Length	Item No. black	Item No. white	Item No. black	Item No. white
		● ○ Coding A		halogen-free		
		PVC		halogen-free		
		1 m	891-8993/205-101	891-8993/205-102	891-8993/215-101	891-8993/215-102
		2 m	891-8993/205-201	891-8993/205-202	891-8993/215-201	891-8993/215-202
		3 m	891-8993/205-301	891-8993/205-302	891-8993/215-301	891-8993/215-302
		4 m	891-8993/205-401	891-8993/205-402	891-8993/215-401	891-8993/215-402
		5 m	891-8993/205-501	891-8993/205-502	891-8993/215-501	891-8993/215-502
		6 m	891-8993/205-601	891-8993/205-602	891-8993/215-601	891-8993/215-602
		7 m	891-8993/205-701	891-8993/205-702	891-8993/215-701	891-8993/215-702
		8 m	891-8993/205-801	891-8993/205-802	891-8993/215-801	891-8993/215-802
Info		Accessories				
<p>① For "International Certification Organizations" and "Approvals – User Guide", see pages 300 to 303.</p> <p>For other cables, please contact factory.</p> <p>● black Coding A (L ⊕ N) ○ white Coding A (L ⊕ N)</p> <p>For coding information, see pages 284 to 286. Fire load data available upon request.</p>		Locking lever, for "flying leads",				
				tool operated		
		black		890-111	100 (2x50)	
		white		890-131	100 (2x50)	
		Mounting carrier, for 2- to 5-pole		"flying leads"		
		black		890-310	100	
		white		890-311	100	

	<p>PVC H05VV-F 3G1.5 halogen-free H05Z1Z1-F 3G1.5</p> <p>250 V/4 kV/3 I_N 16 A</p> <p>Conductor ends, bonded: 9 mm</p> <p>① Approvals</p>																																																							
Interconnecting cable, socket – plug	<table border="1"> <thead> <tr> <th>Length</th> <th>Item No. black</th> <th>Item No. white</th> <th>Item No. black</th> <th>Item No. white</th> </tr> </thead> <tbody> <tr> <td colspan="5">● ○ Coding A</td> </tr> <tr> <td colspan="2">PVC</td> <td colspan="3">halogen-free</td> </tr> <tr> <td>1 m</td> <td>891-8993/006-101</td> <td>891-8993/006-102</td> <td>891-8993/016-101</td> <td>891-8993/016-102</td> </tr> <tr> <td>2 m</td> <td>891-8993/006-201</td> <td>891-8993/006-202</td> <td>891-8993/016-201</td> <td>891-8993/016-202</td> </tr> <tr> <td>3 m</td> <td>891-8993/006-301</td> <td>891-8993/006-302</td> <td>891-8993/016-301</td> <td>891-8993/016-302</td> </tr> <tr> <td>4 m</td> <td>891-8993/006-401</td> <td>891-8993/006-402</td> <td>891-8993/016-401</td> <td>891-8993/016-402</td> </tr> <tr> <td>5 m</td> <td>891-8993/006-501</td> <td>891-8993/006-502</td> <td>891-8993/016-501</td> <td>891-8993/016-502</td> </tr> <tr> <td>6 m</td> <td>891-8993/006-601</td> <td>891-8993/006-602</td> <td>891-8993/016-601</td> <td>891-8993/016-602</td> </tr> <tr> <td>7 m</td> <td>891-8993/006-701</td> <td>891-8993/006-702</td> <td>891-8993/016-701</td> <td>891-8993/016-702</td> </tr> <tr> <td>8 m</td> <td>891-8993/006-801</td> <td>891-8993/006-802</td> <td>891-8993/016-801</td> <td>891-8993/016-802</td> </tr> </tbody> </table>	Length	Item No. black	Item No. white	Item No. black	Item No. white	● ○ Coding A					PVC		halogen-free			1 m	891-8993/006-101	891-8993/006-102	891-8993/016-101	891-8993/016-102	2 m	891-8993/006-201	891-8993/006-202	891-8993/016-201	891-8993/016-202	3 m	891-8993/006-301	891-8993/006-302	891-8993/016-301	891-8993/016-302	4 m	891-8993/006-401	891-8993/006-402	891-8993/016-401	891-8993/016-402	5 m	891-8993/006-501	891-8993/006-502	891-8993/016-501	891-8993/016-502	6 m	891-8993/006-601	891-8993/006-602	891-8993/016-601	891-8993/016-602	7 m	891-8993/006-701	891-8993/006-702	891-8993/016-701	891-8993/016-702	8 m	891-8993/006-801	891-8993/006-802	891-8993/016-801	891-8993/016-802
Length	Item No. black	Item No. white	Item No. black	Item No. white																																																				
● ○ Coding A																																																								
PVC		halogen-free																																																						
1 m	891-8993/006-101	891-8993/006-102	891-8993/016-101	891-8993/016-102																																																				
2 m	891-8993/006-201	891-8993/006-202	891-8993/016-201	891-8993/016-202																																																				
3 m	891-8993/006-301	891-8993/006-302	891-8993/016-301	891-8993/016-302																																																				
4 m	891-8993/006-401	891-8993/006-402	891-8993/016-401	891-8993/016-402																																																				
5 m	891-8993/006-501	891-8993/006-502	891-8993/016-501	891-8993/016-502																																																				
6 m	891-8993/006-601	891-8993/006-602	891-8993/016-601	891-8993/016-602																																																				
7 m	891-8993/006-701	891-8993/006-702	891-8993/016-701	891-8993/016-702																																																				
8 m	891-8993/006-801	891-8993/006-802	891-8993/016-801	891-8993/016-802																																																				
																																																								
Connecting cable, socket – free end	<table border="1"> <thead> <tr> <th>Length</th> <th>Item No. black</th> <th>Item No. white</th> <th>Item No. black</th> <th>Item No. white</th> </tr> </thead> <tbody> <tr> <td colspan="5">● ○ Coding A</td> </tr> <tr> <td colspan="2">PVC</td> <td colspan="3">halogen-free</td> </tr> <tr> <td>1 m</td> <td>891-8993/106-101</td> <td>891-8993/106-102</td> <td>891-8993/116-101</td> <td>891-8993/116-102</td> </tr> <tr> <td>2 m</td> <td>891-8993/106-201</td> <td>891-8993/106-202</td> <td>891-8993/116-201</td> <td>891-8993/116-202</td> </tr> <tr> <td>3 m</td> <td>891-8993/106-301</td> <td>891-8993/106-302</td> <td>891-8993/116-301</td> <td>891-8993/116-302</td> </tr> <tr> <td>4 m</td> <td>891-8993/106-401</td> <td>891-8993/106-402</td> <td>891-8993/116-401</td> <td>891-8993/116-402</td> </tr> <tr> <td>5 m</td> <td>891-8993/106-501</td> <td>891-8993/106-502</td> <td>891-8993/116-501</td> <td>891-8993/116-502</td> </tr> <tr> <td>6 m</td> <td>891-8993/106-601</td> <td>891-8993/106-602</td> <td>891-8993/116-601</td> <td>891-8993/116-602</td> </tr> <tr> <td>7 m</td> <td>891-8993/106-701</td> <td>891-8993/106-702</td> <td>891-8993/116-701</td> <td>891-8993/116-702</td> </tr> <tr> <td>8 m</td> <td>891-8993/106-801</td> <td>891-8993/106-802</td> <td>891-8993/116-801</td> <td>891-8993/116-802</td> </tr> </tbody> </table>	Length	Item No. black	Item No. white	Item No. black	Item No. white	● ○ Coding A					PVC		halogen-free			1 m	891-8993/106-101	891-8993/106-102	891-8993/116-101	891-8993/116-102	2 m	891-8993/106-201	891-8993/106-202	891-8993/116-201	891-8993/116-202	3 m	891-8993/106-301	891-8993/106-302	891-8993/116-301	891-8993/116-302	4 m	891-8993/106-401	891-8993/106-402	891-8993/116-401	891-8993/116-402	5 m	891-8993/106-501	891-8993/106-502	891-8993/116-501	891-8993/116-502	6 m	891-8993/106-601	891-8993/106-602	891-8993/116-601	891-8993/116-602	7 m	891-8993/106-701	891-8993/106-702	891-8993/116-701	891-8993/116-702	8 m	891-8993/106-801	891-8993/106-802	891-8993/116-801	891-8993/116-802
Length	Item No. black	Item No. white	Item No. black	Item No. white																																																				
● ○ Coding A																																																								
PVC		halogen-free																																																						
1 m	891-8993/106-101	891-8993/106-102	891-8993/116-101	891-8993/116-102																																																				
2 m	891-8993/106-201	891-8993/106-202	891-8993/116-201	891-8993/116-202																																																				
3 m	891-8993/106-301	891-8993/106-302	891-8993/116-301	891-8993/116-302																																																				
4 m	891-8993/106-401	891-8993/106-402	891-8993/116-401	891-8993/116-402																																																				
5 m	891-8993/106-501	891-8993/106-502	891-8993/116-501	891-8993/116-502																																																				
6 m	891-8993/106-601	891-8993/106-602	891-8993/116-601	891-8993/116-602																																																				
7 m	891-8993/106-701	891-8993/106-702	891-8993/116-701	891-8993/116-702																																																				
8 m	891-8993/106-801	891-8993/106-802	891-8993/116-801	891-8993/116-802																																																				
																																																								
Connecting cable, plug – free end	<table border="1"> <thead> <tr> <th>Length</th> <th>Item No. black</th> <th>Item No. white</th> <th>Item No. black</th> <th>Item No. white</th> </tr> </thead> <tbody> <tr> <td colspan="5">● ○ Coding A</td> </tr> <tr> <td colspan="2">PVC</td> <td colspan="3">halogen-free</td> </tr> <tr> <td>1 m</td> <td>891-8993/206-101</td> <td>891-8993/206-102</td> <td>891-8993/216-101</td> <td>891-8993/216-102</td> </tr> <tr> <td>2 m</td> <td>891-8993/206-201</td> <td>891-8993/206-202</td> <td>891-8993/216-201</td> <td>891-8993/216-202</td> </tr> <tr> <td>3 m</td> <td>891-8993/206-301</td> <td>891-8993/206-302</td> <td>891-8993/216-301</td> <td>891-8993/216-302</td> </tr> <tr> <td>4 m</td> <td>891-8993/206-401</td> <td>891-8993/206-402</td> <td>891-8993/216-401</td> <td>891-8993/216-402</td> </tr> <tr> <td>5 m</td> <td>891-8993/206-501</td> <td>891-8993/206-502</td> <td>891-8993/216-501</td> <td>891-8993/216-502</td> </tr> <tr> <td>6 m</td> <td>891-8993/206-601</td> <td>891-8993/206-602</td> <td>891-8993/216-601</td> <td>891-8993/216-602</td> </tr> <tr> <td>7 m</td> <td>891-8993/206-701</td> <td>891-8993/206-702</td> <td>891-8993/216-701</td> <td>891-8993/216-702</td> </tr> <tr> <td>8 m</td> <td>891-8993/206-801</td> <td>891-8993/206-802</td> <td>891-8993/216-801</td> <td>891-8993/216-802</td> </tr> </tbody> </table>	Length	Item No. black	Item No. white	Item No. black	Item No. white	● ○ Coding A					PVC		halogen-free			1 m	891-8993/206-101	891-8993/206-102	891-8993/216-101	891-8993/216-102	2 m	891-8993/206-201	891-8993/206-202	891-8993/216-201	891-8993/216-202	3 m	891-8993/206-301	891-8993/206-302	891-8993/216-301	891-8993/216-302	4 m	891-8993/206-401	891-8993/206-402	891-8993/216-401	891-8993/216-402	5 m	891-8993/206-501	891-8993/206-502	891-8993/216-501	891-8993/216-502	6 m	891-8993/206-601	891-8993/206-602	891-8993/216-601	891-8993/216-602	7 m	891-8993/206-701	891-8993/206-702	891-8993/216-701	891-8993/216-702	8 m	891-8993/206-801	891-8993/206-802	891-8993/216-801	891-8993/216-802
Length	Item No. black	Item No. white	Item No. black	Item No. white																																																				
● ○ Coding A																																																								
PVC		halogen-free																																																						
1 m	891-8993/206-101	891-8993/206-102	891-8993/216-101	891-8993/216-102																																																				
2 m	891-8993/206-201	891-8993/206-202	891-8993/216-201	891-8993/216-202																																																				
3 m	891-8993/206-301	891-8993/206-302	891-8993/216-301	891-8993/216-302																																																				
4 m	891-8993/206-401	891-8993/206-402	891-8993/216-401	891-8993/216-402																																																				
5 m	891-8993/206-501	891-8993/206-502	891-8993/216-501	891-8993/216-502																																																				
6 m	891-8993/206-601	891-8993/206-602	891-8993/216-601	891-8993/216-602																																																				
7 m	891-8993/206-701	891-8993/206-702	891-8993/216-701	891-8993/216-702																																																				
8 m	891-8993/206-801	891-8993/206-802	891-8993/216-801	891-8993/216-802																																																				
																																																								
	<p>Accessories</p> <p>Locking lever, for "flying leads",</p> <table border="1"> <tr> <td rowspan="2"></td> <td>tool operated</td> <td></td> <td></td> </tr> <tr> <td>black</td> <td>890-111</td> <td>100 (2x50)</td> </tr> <tr> <td></td> <td>white</td> <td>890-131</td> <td>100 (2x50)</td> </tr> </table> <p>Mounting carrier, for 2- to 5-pole</p> <table border="1"> <tr> <td rowspan="3"></td> <td>"flying leads"</td> <td></td> <td></td> </tr> <tr> <td>black</td> <td>890-310</td> <td>100</td> </tr> <tr> <td>white</td> <td>890-311</td> <td>100</td> </tr> </table>		tool operated			black	890-111	100 (2x50)		white	890-131	100 (2x50)		"flying leads"			black	890-310	100	white	890-311	100																																		
	tool operated																																																							
	black	890-111	100 (2x50)																																																					
	white	890-131	100 (2x50)																																																					
	"flying leads"																																																							
	black	890-310	100																																																					
	white	890-311	100																																																					

WINSTA® MINI Sockets and Plugs, 4-Pole

<p>0.25–1.5 mm² ① 400 V/6 kV/3 I_N 16 A</p> <p>9 mm / 0.35 in.</p> <p>② Approvals</p>	<p>22–16 AWG</p>	<p>0.25–1.5 mm² ① 400 V/6 kV/3 I_N 16 A</p> <p>9 mm / 0.35 in.</p> <p>② Approvals</p>	<p>22–16 AWG</p>
--	------------------	--	------------------

Note:
All connectors for fixed installations (snap-in versions for lighting fixtures, devices or all types of PCBs and distribution cabinets) are factory-equipped with locking levers to ensure plugs and sockets are securely locked. Additional locking levers are only required for “flying leads” (plug/socket).



Description	Color	Item No.	Pack. Unit	Color	Item No.	Pack. Unit
Connectors, 4-pole, with CAGE CLAMP® S connection	Socket with strain relief housing, for 6.5–10.5 mm cable diameter			Plug with strain relief housing, for 6.5–10.5 mm cable diameter		
	● black	890-104	50	● black	890-114	50
	○ white	890-124	50	○ white	890-134	50

Item-Specific Accessories						
	Operating tool, partially insulated 4-way			Operating tool, partially insulated 4-way		
		890-384	1		890-384	1

Accessories, 890 Series						
	Locking lever, for “flying leads”, tool operated			Locking lever, for “flying leads”, tool operated		
		black 890-111	100 (2x50)		black 890-111	100 (2x50)
		white 890-131	100 (2x50)		white 890-131	100 (2x50)
	Mounting carrier, for 2- to 5-pole “flying leads”			Mounting carrier, for 2- to 5-pole “flying leads”		
		black 890-310	100		black 890-310	100
		white 890-311	100		white 890-311	100

Info	Dimensions
------	------------

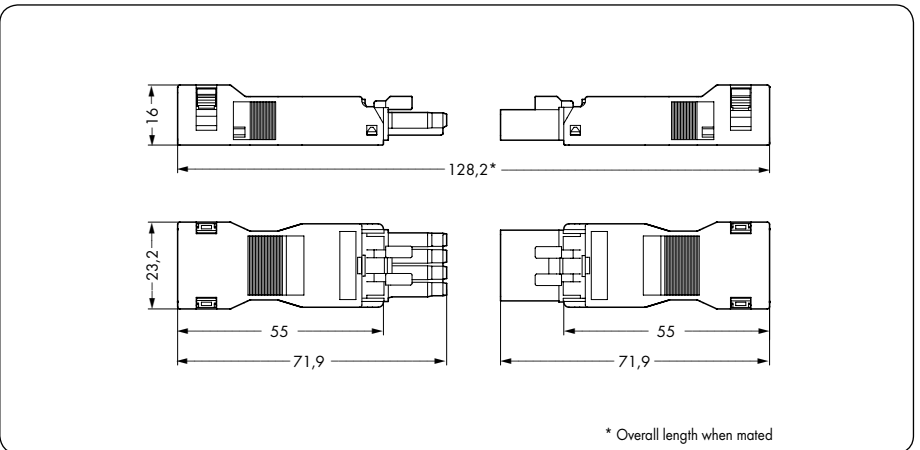
① Conductor sizes: 0.25–1.5 mm² “s + f-st”
0.25–1 mm² “stranded”

② For “International Certification Organizations” and “Approvals – User Guide”, see pages 300 to 303.

● black Coding A (N ⊕ 2|L 1|L)

○ white Coding A (N ⊕ 2|L 1|L)

For coding information, see pages 284 to 286.
Fire load data available upon request.





<p>0.25-1.5 mm² ① 400 V/6 kV/3 I_N 16 A</p> <p>9 mm / 0.35 in.</p> <p>② Approvals</p>	<p>22-16 AWG</p>	<p>0.25-1.5 mm² ① 400 V/6 kV/3 I_N 16 A</p> <p>9 mm / 0.35 in.</p> <p>② Approvals</p>	<p>22-16 AWG</p>	<p>Snap-on type strain relief housings for:</p> <ul style="list-style-type: none"> - 4-pole sockets - 4-pole plugs
--	------------------	--	------------------	--







Color	Item No.	Pack. Unit	Color	Item No.	Pack. Unit	Color	Item No.	Pack. Unit
Socket without strain relief housing			Plug without strain relief housing			Strain relief housing, for 6.5-10.5 mm cable diameter		
● black	890-204	50	● black	890-214	50	black	890-504	50
○ white	890-224	50	○ white	890-234	50	white	890-514	50

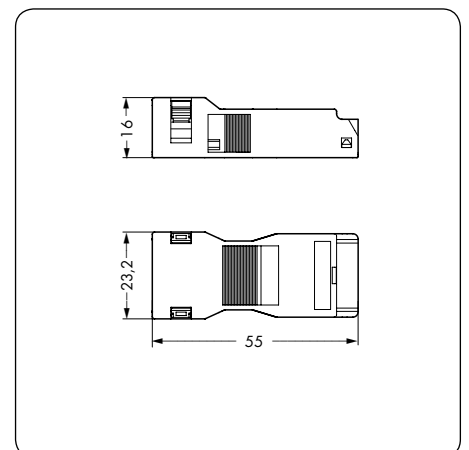
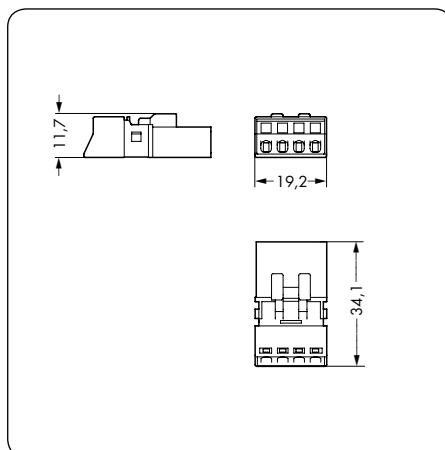
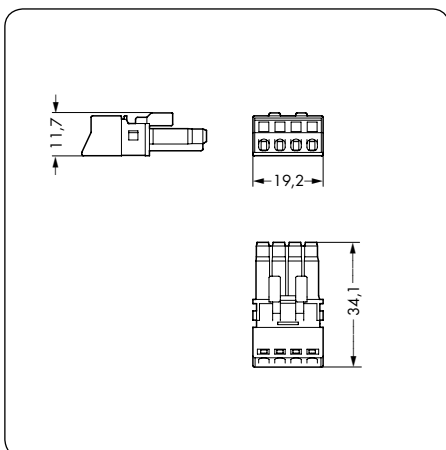
Item-Specific Accessories

<p>Operating tool, partially insulated 4-way</p>  <p>890-384 1</p>	<p>Operating tool, partially insulated 4-way</p>  <p>890-384 1</p>
--	--

Accessories, 890 Series

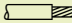
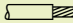
<p>Locking lever, for "flying leads", tool operated</p>  <p>black 890-111 100 (2x50) white 890-131 100 (2x50)</p>	<p>Locking lever, for "flying leads", tool operated</p>  <p>black 890-111 100 (2x50) white 890-131 100 (2x50)</p>
<p>Mounting carrier, for 2- to 5-pole "flying leads"</p>  <p>black 890-310 100 white 890-311 100</p>	<p>Mounting carrier, for 2- to 5-pole "flying leads"</p>  <p>black 890-310 100 white 890-311 100</p>

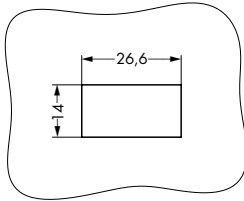
Dimensions







WINSTA® MINI Snap-In Sockets and Plugs, 4-Pole

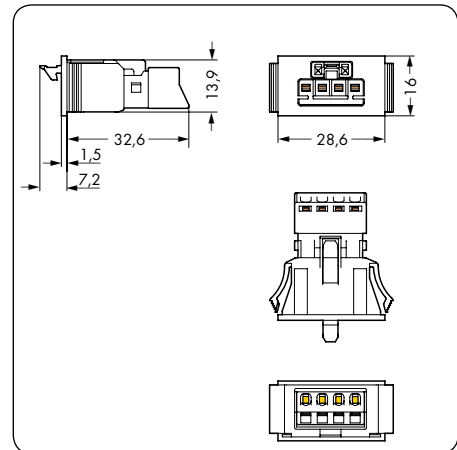
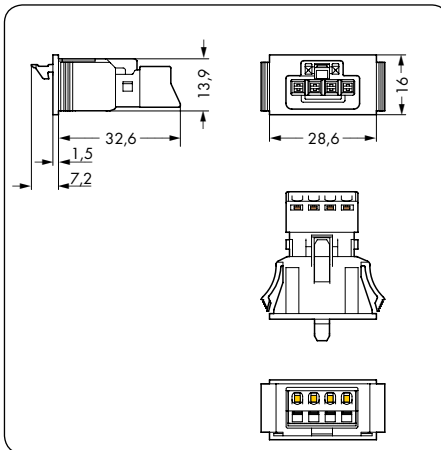


Cutout dimensions Plate thickness: 0.5–2 mm Cutout tolerance: + 0.1 mm	0.25–1.5 mm ² ① 400 V/6 kV/3 I _N 16 A	22–16 AWG	0.25–1.5 mm ² ① 400 V/6 kV/3 I _N 16 A	22–16 AWG
	 9 mm / 0.35 in. ② Approvals		 9 mm / 0.35 in. ② Approvals	



Description	Color	Item No.	Pack. Unit	Color	Item No.	Pack. Unit
Connectors, snap-in device connection, 4-pole, with CAGE CLAMP® S connection	Socket			Plug		
	● black	890-704	50	● black	890-714	50
	○ white	890-724	50	○ white	890-734	50
Item-Specific Accessories						
	Operating tool, partially insulated 4-way 			Operating tool, partially insulated 4-way 		
		890-384	1		890-384	1
Accessories, 890 Series						
	Lockout cap, for cutout, 4-pole 			Lockout cap, for cutout, 4-pole 		
	black	890-644	100	black	890-644	100
	white	890-694	100	white	890-694	100
Info	Dimensions					

- ① Conductor sizes: 0.25–1.5 mm² "s + f-st"
0.25–1 mm² "stranded"
 - ② For "International Certification Organizations" and "Approvals – User Guide", see pages 300 to 303.
 - ③ 5.0 mm Ø, 0.2–1.2 mm plate thickness
- black Coding A (N ⊕ 2|L 1|L)
○ white Coding A (N ⊕ 2|L 1|L)
- For coding information, see pages 284 to 286.
Fire load data available upon request.



WINSTA® MINI



Distribution Connectors, 4-Pole

400 V/6 kV/3 I_N 16 A ② Approvals	400 V/6 kV/3 I_N 16 A ② Approvals	
---	---	--





Color	Item No.	Pack. Unit	Color	Item No.	Pack. Unit
h-distribution connector, unidirectional, plug/socket - socket			T-distribution connector, 1 x plug/2 x socket		
● black	890-944	50	● black	890-626	50
○ white	890-994	50	○ white	890-676	50
for "flying leads", with 3rd locking lever			for "flying leads", with 3rd locking lever		
● black	890-945	50	● black	890-627	50
○ white	890-995	50	○ white	890-677	50

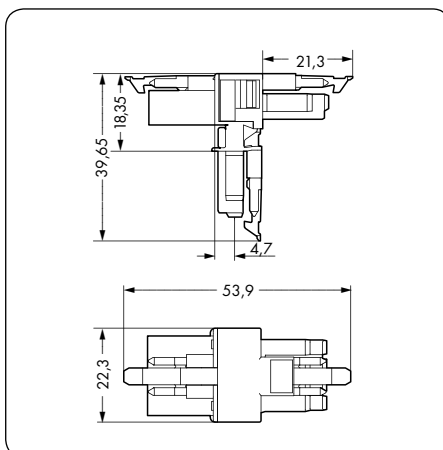
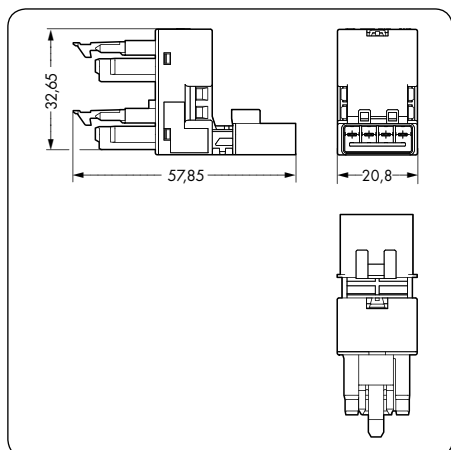
Item-Specific Accessories

Mounting plate, for distribution connectors					
	black	890-624	50		
	white	890-674	50		
Fixing pin, for mounting plates					
	③ black	890-601	250		

Accessories, 890 Series

Locking lever, for "flying leads", tool operated			Locking lever, for "flying leads", tool operated				
	black	890-111	100 (2x50)		black	890-111	100 (2x50)
	white	890-131	100 (2x50)		white	890-131	100 (2x50)

Dimensions



WINSTA® MINI PCB Connectors, 4-Pole

	<p>400 V/6 kV/3 I_N 16 A</p> <p>① Approvals</p>	<p>400 V/6 kV/3 I_N 16 A</p> <p>① Approvals</p>
--	---	---



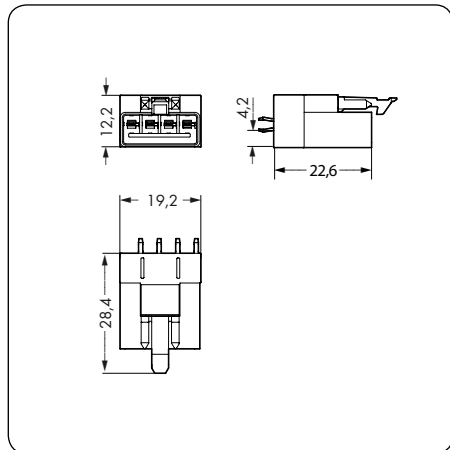
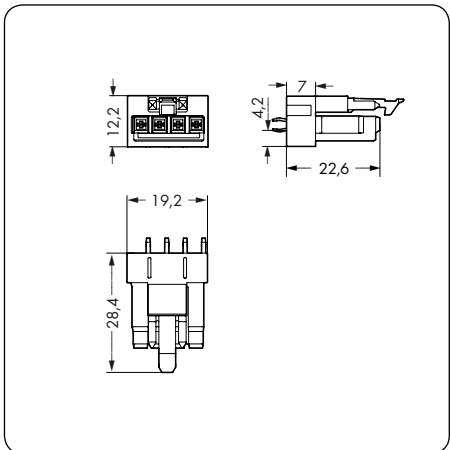
Description	Color	Item No.	Pack. Unit	Color	Item No.	Pack. Unit
PCB connectors, 2 solder pins per pole	Socket, straight			Plug, straight		
	● black	890-804	100	● black	890-814	100
	○ white	890-824	100	○ white	890-834	100
Info	Dimensions					

① For “International Certification Organizations” and “Approvals – User Guide”, see pages 300 to 303.

● black Coding A (N ⊕ 2L 1L)

○ white Coding A (N ⊕ 2L 1L)

For coding information, see pages 284 to 286.
Fire load data available upon request.



	PVC	H05VV-F 4G1.5
	halogen-free	H05Z1Z1-F 4G1.5
	400 V/6 kV/3	I _N 16 A
	Conductor ends, bonded: 9 mm	
	① Approvals	

Interconnecting cable, socket - plug	Length	Item No. black	Item No. white	Item No. black	Item No. white
	● ○ Coding A	PVC halogen-free			
	1 m	891-8994/006-101	891-8994/006-102	891-8994/016-101	891-8994/016-102
	2 m	891-8994/006-201	891-8994/006-202	891-8994/016-201	891-8994/016-202
	3 m	891-8994/006-301	891-8994/006-302	891-8994/016-301	891-8994/016-302
	4 m	891-8994/006-401	891-8994/006-402	891-8994/016-401	891-8994/016-402
	5 m	891-8994/006-501	891-8994/006-502	891-8994/016-501	891-8994/016-502
	6 m	891-8994/006-601	891-8994/006-602	891-8994/016-601	891-8994/016-602
	7 m	891-8994/006-701	891-8994/006-702	891-8994/016-701	891-8994/016-702
	8 m	891-8994/006-801	891-8994/006-802	891-8994/016-801	891-8994/016-802

Connecting cable, socket - free end	Length	Item No. black	Item No. white	Item No. black	Item No. white
	● ○ Coding A	PVC halogen-free			
	1 m	891-8994/106-101	891-8994/106-102	891-8994/116-101	891-8994/116-102
	2 m	891-8994/106-201	891-8994/106-202	891-8994/116-201	891-8994/116-202
	3 m	891-8994/106-301	891-8994/106-302	891-8994/116-301	891-8994/116-302
	4 m	891-8994/106-401	891-8994/106-402	891-8994/116-401	891-8994/116-402
	5 m	891-8994/106-501	891-8994/106-502	891-8994/116-501	891-8994/116-502
	6 m	891-8994/106-601	891-8994/106-602	891-8994/116-601	891-8994/116-602
	7 m	891-8994/106-701	891-8994/106-702	891-8994/116-701	891-8994/116-702
	8 m	891-8994/106-801	891-8994/106-802	891-8994/116-801	891-8994/116-802

Connecting cable, plug - free end	Length	Item No. black	Item No. white	Item No. black	Item No. white
	● ○ Coding A	PVC halogen-free			
	1 m	891-8994/206-101	891-8994/206-102	891-8994/216-101	891-8994/216-102
	2 m	891-8994/206-201	891-8994/206-202	891-8994/216-201	891-8994/216-202
	3 m	891-8994/206-301	891-8994/206-302	891-8994/216-301	891-8994/216-302
	4 m	891-8994/206-401	891-8994/206-402	891-8994/216-401	891-8994/216-402
	5 m	891-8994/206-501	891-8994/206-502	891-8994/216-501	891-8994/216-502
	6 m	891-8994/206-601	891-8994/206-602	891-8994/216-601	891-8994/216-602
	7 m	891-8994/206-701	891-8994/206-702	891-8994/216-701	891-8994/216-702
	8 m	891-8994/206-801	891-8994/206-802	891-8994/216-801	891-8994/216-802

Info	Accessories
-------------	--------------------

① For "International Certification Organizations" and "Approvals – User Guide", see pages 300 to 303. Marine approvals (GL, LR, NV) relate exclusively to cables approved for marine applications.

For other cables, please contact factory.

● black Coding A (N ⊕ 2L 1L)
○ white Coding A (N ⊕ 2L 1L)

For coding information, see pages 284 to 286.
Fire load data available upon request.

Locking lever, for "flying leads", 	tool operated		
	black	890-111	100 (2x50)
	white	890-131	100 (2x50)
Mounting carrier, for 2- to 5-pole "flying leads" 	black	890-310	100
	white	890-311	100



WINSTA® MINI Sockets and Plugs, 5-Pole

<p>0.25–1.5 mm² ① 400 V/6 kV/3 I_N 13 A</p> <p>9 mm / 0.35 in.</p> <p>② Approvals</p>	<p>22–16 AWG</p>	<p>0.25–1.5 mm² ① 400 V/6 kV/3 I_N 13 A</p> <p>9 mm / 0.35 in.</p> <p>② Approvals</p>	<p>22–16 AWG</p>
--	------------------	--	------------------

Note:

All connectors for fixed installations (snap-in versions for lighting fixtures, devices or all types of PCBs and distribution cabinets) are factory-equipped with locking levers to ensure plugs and sockets are securely locked. Additional locking levers are only required for "flying leads" (plug/socket).

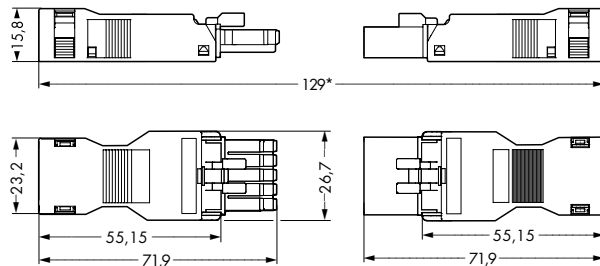


Description	Color	Item No.	Pack. Unit	Color	Item No.	Pack. Unit
Connectors, 5-pole, with CAGE CLAMP® S connection	Socket with strain relief housing, for 6.5–10.5 mm cable diameter			Plug with strain relief housing, for 6.5–10.5 mm cable diameter		
	● black	890-105	50	● black	890-115	50
	○ white	890-125	50	○ white	890-135	50
Item-Specific Accessories						
	Operating tool, partially insulated 5-way			Operating tool, partially insulated 5-way		
		890-385	1		890-385	1
Accessories, 890 Series						
	Locking lever, for "flying leads", tool operated			Locking lever, for "flying leads", tool operated		
		black 890-111	100 (2x50)		black 890-111	100 (2x50)
		white 890-131	100 (2x50)		white 890-131	100 (2x50)
	Mounting carrier, for 2- to 5-pole "flying leads"			Mounting carrier, for 2- to 5-pole "flying leads"		
		black 890-310	100		black 890-310	100
		white 890-311	100		white 890-311	100
Info	Dimensions					

- ① Conductor sizes: 0.25–1.5 mm² "s + f-st"
0.25–1 mm² "stranded"
- ② For "International Certification Organizations" and "Approvals – User Guide", see pages 300 to 303.
- ③ Blue plugs and sockets are suitable for 16 A DALI applications.

- black Coding A (N ⊕ 1 2 3)
- white Coding A (N ⊕ 1 2 3)
- blue Coding I (N ⊕ L - +)

For coding information, see pages 284 to 286.
Fire load data available upon request.



* Overall length when mated

<p>0.25-1.5 mm² ① 400 V/6 kV/3 I_N 13 A / 16 A ③</p> <p>9 mm / 0.35 in.</p> <p>② Approvals</p>	<p>22-16 AWG</p>	<p>0.25-1.5 mm² ① 400 V/6 kV/3 I_N 13 A / 16 A ③</p> <p>9 mm / 0.35 in.</p> <p>② Approvals</p>	<p>22-16 AWG</p>	<p>Snap-on type strain relief housings for:</p> <ul style="list-style-type: none"> - 3-pole sockets - 3-pole plugs
---	------------------	---	------------------	--

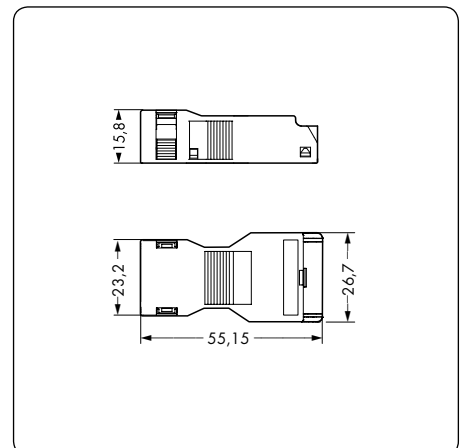
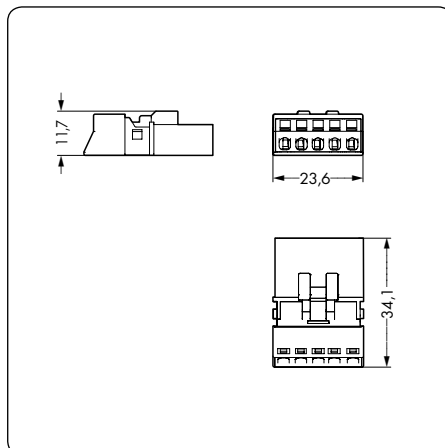
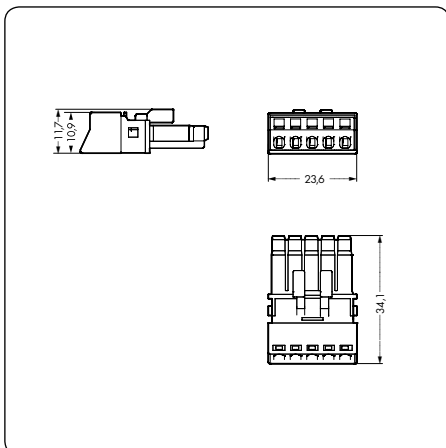


Color	Item No.	Pack. Unit	Color	Item No.	Pack. Unit	Color	Item No.	Pack. Unit
Socket without strain relief housing			Plug without strain relief housing			Strain relief housing, for 6.5-10.5 mm cable diameter		
● black	890-205	50	● black	890-215	50	black	890-505	50
○ white	890-225	50	○ white	890-235	50	white	890-515	50
● blue	890-1105 ③	50	● blue	890-1115 ③	50			

Item-Specific Accessories								
Operating tool, partially insulated			Operating tool, partially insulated					
	5-way	890-385 1		5-way	890-385 1			

Accessories, 890 Series								
Locking lever, for "flying leads", tool operated			Locking lever, for "flying leads", tool operated					
	black	890-111 100 (2x50)		white	890-131 100 (2x50)			
Mounting carrier, for 2- to 5-pole "flying leads"			Mounting carrier, for 2- to 5-pole "flying leads"					
	black	890-310 100		white	890-311 100			

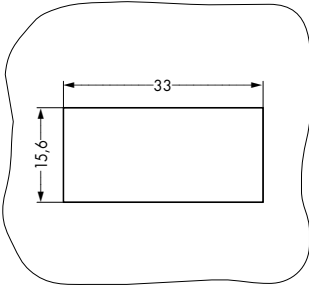
Dimensions



WINSTA® MINI Snap-In Sockets and Plugs, 5-Pole



Cutout dimensions Plate thickness: 0.5–2 mm Cutout tolerance: + 0.1 mm	0.25–1.5 mm ² ❶ 400 V/6 kV/3 I _N 13 A / 16 A ❸	22–16 AWG	0.25–1.5 mm ² ❶ 400 V/6 kV/3 I _N 13 A / 16 A ❸	22–16 AWG
	9 mm / 0.35 in. ❷ Approvals		9 mm / 0.35 in. ❷ Approvals	



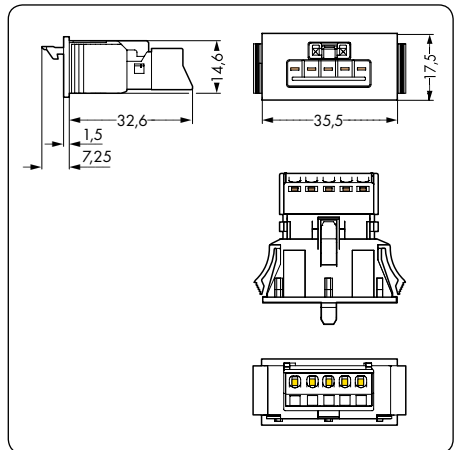
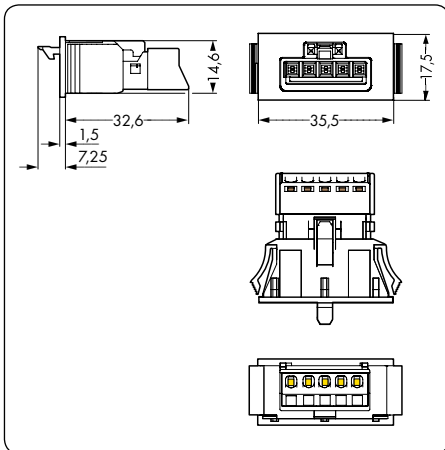
Description	Color	Item No.	Pack. Unit	Color	Item No.	Pack. Unit
Connectors, snap-in device connection, 5-pole, with CAGE CLAMP® S connection	Socket			Plug		
	● black	890-705	50	● black	890-715	50
	○ white	890-725	50	○ white	890-735	50
	● blue	890-2105 ❸	50	● blue	890-2115 ❸	50
	without locking lever, for lighting installation with intermediate coupler			without locking lever, for lighting installation with intermediate coupler		
	● black	890-705/006-000	50	● black	890-715/006-000	50
	○ white	890-725/006-000	50	○ white	890-735/006-000	50
	● blue	890-2105/006-000 ❸	50	● blue	890-2115/006-000 ❸	50

Item-Specific Accessories						
	Operating tool, partially insulated 5-way 			Operating tool, partially insulated 5-way 		
		890-385	1		890-385	1

Accessories, 890 Series						
	Lockout cap, for cutout, 5-pole 			Lockout cap, for cutout, 5-pole 		
		black 770-643	100		black 770-643	100
		white 770-693	100		white 770-693	100

Info	Dimensions
------	------------

- ❶ Conductor sizes: 0.25–1.5 mm² “s + f-st”
0.25–1 mm² “stranded”
 - ❷ For “International Certification Organizations” and “Approvals – User Guide”, see pages 300 to 303.
 - ❸ Blue plugs and sockets are suitable for 16 A DALI applications.
 - ❹ 5.0 mm Ø, 0.2–1.2 mm plate thickness
For other cables, please contact factory.
- | | | |
|---------|----------|-------------|
| ● black | Coding A | (N ⊕ 1 2 3) |
| ○ white | Coding A | (N ⊕ 1 2 3) |
| ● blue | Coding I | (N ⊕ L - +) |
- For coding information, see pages 284 to 286.
Fire load data available upon request.



WINSTA® MINI



Intermediate Couplers and T-Distribution Connectors, 5-Pole

400 V/6 kV/3 I_N 13 A/16 A Ⓢ ② Approvals	400 V/6 kV/3 I_N 13 A/16 A Ⓢ ② Approvals	400 V/6 kV/3 I_N 13 A/16 A Ⓢ ② Approvals
--	--	--





Color	Item No.	Pack. Unit	Color	Item No.	Pack. Unit	Color	Item No.	Pack. Unit
Intermediate coupler , 1 x plug/1 x socket			h-distribution connector, plug/socket – socket			T-distribution connector, 1 x plug/2 x socket		
● black	890-605	50	● black	890-929	50	● black	890-621	50
○ white	890-655	50	○ white	890-979	50	○ white	890-671	50
● blue	890-619	50	● blue	890-982	50	● blue	890-617	50
At least one snap-in connector WITHOUT locking lever is required on one side when connecting two lights directly via intermediate coupler (see page 38).			for "flying leads", with 3rd locking lever			for "flying leads", with 3rd locking lever		
● black	890-930	50	● black	890-930	50	● black	890-622	50
○ white	890-980	50	○ white	890-980	50	○ white	890-672	50
● blue	890-983	50	● blue	890-983	50	● blue	890-620	50

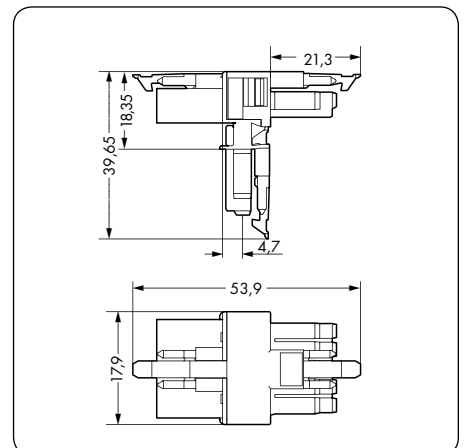
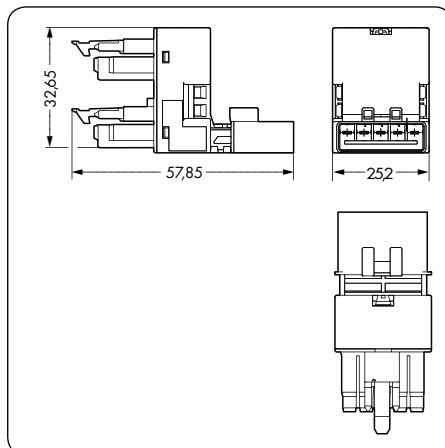
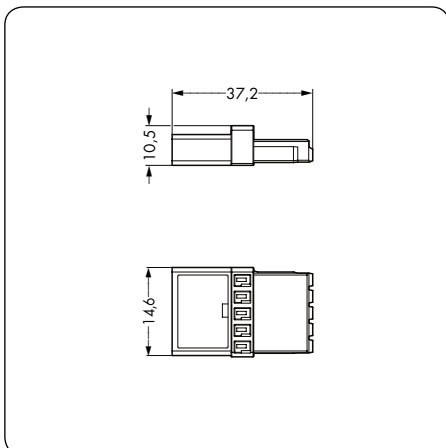
Item-Specific Accessories

	Mounting plate , for distribution connectors  black 890-625 50 white 890-675 50	
	Fixing pin , for mounting plates  ④ black 890-601 250	

Accessories, 890 Series

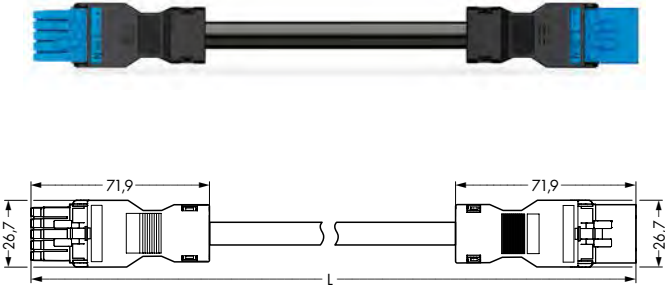
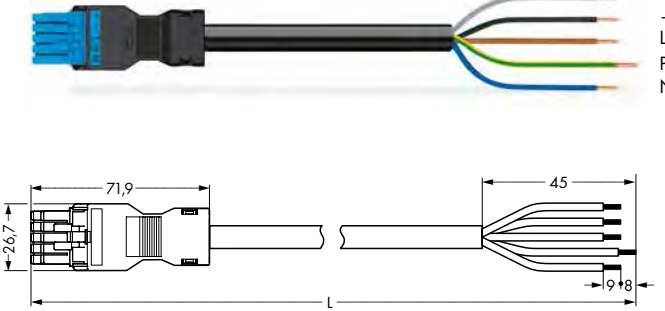
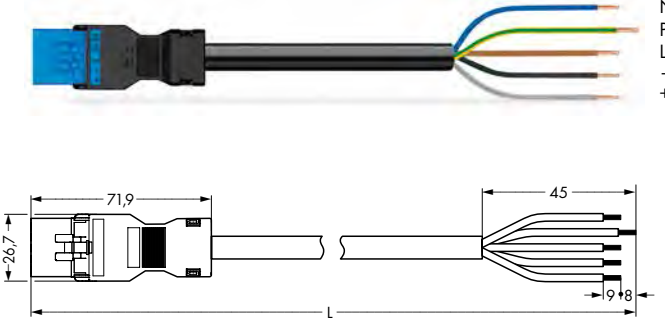






	Locking lever , for "flying leads", tool operated  black 890-111 100 (2x50) white 890-131 100 (2x50)	Locking lever , for "flying leads", tool operated  black 890-111 100 (2x50) white 890-131 100 (2x50)
--	---	---

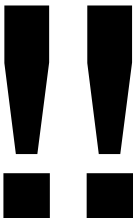
Dimensions



WINSTA® MINI Cable Assemblies 5 x 1.5 mm²

		<p>PVC H05VV-F 5G1.5 halogen-free H05Z1Z1-F 5G1.5</p> <p>400 V/6 kV/3 I_N 13 A</p> <p>Conductor ends, bonded: 9 mm</p> <p>① Approvals</p>																																																							
Interconnecting cable, socket – plug		<table border="1"> <thead> <tr> <th>Length</th> <th>Item No. black</th> <th>Item No. white</th> <th>Item No. black</th> <th>Item No. white</th> </tr> </thead> <tbody> <tr> <td colspan="5">● ○ Coding A</td> </tr> <tr> <td colspan="2">PVC</td> <td colspan="3">halogen-free</td> </tr> <tr> <td>1 m</td> <td>891-8995/006-101</td> <td>891-8995/006-102</td> <td>891-8995/016-101</td> <td>891-8995/016-102</td> </tr> <tr> <td>2 m</td> <td>891-8995/006-201</td> <td>891-8995/006-202</td> <td>891-8995/016-201</td> <td>891-8995/016-202</td> </tr> <tr> <td>3 m</td> <td>891-8995/006-301</td> <td>891-8995/006-302</td> <td>891-8995/016-301</td> <td>891-8995/016-302</td> </tr> <tr> <td>4 m</td> <td>891-8995/006-401</td> <td>891-8995/006-402</td> <td>891-8995/016-401</td> <td>891-8995/016-402</td> </tr> <tr> <td>5 m</td> <td>891-8995/006-501</td> <td>891-8995/006-502</td> <td>891-8995/016-501</td> <td>891-8995/016-502</td> </tr> <tr> <td>6 m</td> <td>891-8995/006-601</td> <td>891-8995/006-602</td> <td>891-8995/016-601</td> <td>891-8995/016-602</td> </tr> <tr> <td>7 m</td> <td>891-8995/006-701</td> <td>891-8995/006-702</td> <td>891-8995/016-701</td> <td>891-8995/016-702</td> </tr> <tr> <td>8 m</td> <td>891-8995/006-801</td> <td>891-8995/006-802</td> <td>891-8995/016-801</td> <td>891-8995/016-802</td> </tr> </tbody> </table>	Length	Item No. black	Item No. white	Item No. black	Item No. white	● ○ Coding A					PVC		halogen-free			1 m	891-8995/006-101	891-8995/006-102	891-8995/016-101	891-8995/016-102	2 m	891-8995/006-201	891-8995/006-202	891-8995/016-201	891-8995/016-202	3 m	891-8995/006-301	891-8995/006-302	891-8995/016-301	891-8995/016-302	4 m	891-8995/006-401	891-8995/006-402	891-8995/016-401	891-8995/016-402	5 m	891-8995/006-501	891-8995/006-502	891-8995/016-501	891-8995/016-502	6 m	891-8995/006-601	891-8995/006-602	891-8995/016-601	891-8995/016-602	7 m	891-8995/006-701	891-8995/006-702	891-8995/016-701	891-8995/016-702	8 m	891-8995/006-801	891-8995/006-802	891-8995/016-801	891-8995/016-802
Length	Item No. black	Item No. white	Item No. black	Item No. white																																																					
● ○ Coding A																																																									
PVC		halogen-free																																																							
1 m	891-8995/006-101	891-8995/006-102	891-8995/016-101	891-8995/016-102																																																					
2 m	891-8995/006-201	891-8995/006-202	891-8995/016-201	891-8995/016-202																																																					
3 m	891-8995/006-301	891-8995/006-302	891-8995/016-301	891-8995/016-302																																																					
4 m	891-8995/006-401	891-8995/006-402	891-8995/016-401	891-8995/016-402																																																					
5 m	891-8995/006-501	891-8995/006-502	891-8995/016-501	891-8995/016-502																																																					
6 m	891-8995/006-601	891-8995/006-602	891-8995/016-601	891-8995/016-602																																																					
7 m	891-8995/006-701	891-8995/006-702	891-8995/016-701	891-8995/016-702																																																					
8 m	891-8995/006-801	891-8995/006-802	891-8995/016-801	891-8995/016-802																																																					
Connecting cable, socket – free end		<table border="1"> <thead> <tr> <th>Length</th> <th>Item No. black</th> <th>Item No. white</th> <th>Item No. black</th> <th>Item No. white</th> </tr> </thead> <tbody> <tr> <td colspan="5">● ○ Coding A</td> </tr> <tr> <td colspan="2">PVC</td> <td colspan="3">halogen-free</td> </tr> <tr> <td>1 m</td> <td>891-8995/106-101</td> <td>891-8995/106-102</td> <td>891-8995/116-101</td> <td>891-8995/116-102</td> </tr> <tr> <td>2 m</td> <td>891-8995/106-201</td> <td>891-8995/106-202</td> <td>891-8995/116-201</td> <td>891-8995/116-202</td> </tr> <tr> <td>3 m</td> <td>891-8995/106-301</td> <td>891-8995/106-302</td> <td>891-8995/116-301</td> <td>891-8995/116-302</td> </tr> <tr> <td>4 m</td> <td>891-8995/106-401</td> <td>891-8995/106-402</td> <td>891-8995/116-401</td> <td>891-8995/116-402</td> </tr> <tr> <td>5 m</td> <td>891-8995/106-501</td> <td>891-8995/106-502</td> <td>891-8995/116-501</td> <td>891-8995/116-502</td> </tr> <tr> <td>6 m</td> <td>891-8995/106-601</td> <td>891-8995/106-602</td> <td>891-8995/116-601</td> <td>891-8995/116-602</td> </tr> <tr> <td>7 m</td> <td>891-8995/106-701</td> <td>891-8995/106-702</td> <td>891-8995/116-701</td> <td>891-8995/116-702</td> </tr> <tr> <td>8 m</td> <td>891-8995/106-801</td> <td>891-8995/106-802</td> <td>891-8995/116-801</td> <td>891-8995/116-802</td> </tr> </tbody> </table>	Length	Item No. black	Item No. white	Item No. black	Item No. white	● ○ Coding A					PVC		halogen-free			1 m	891-8995/106-101	891-8995/106-102	891-8995/116-101	891-8995/116-102	2 m	891-8995/106-201	891-8995/106-202	891-8995/116-201	891-8995/116-202	3 m	891-8995/106-301	891-8995/106-302	891-8995/116-301	891-8995/116-302	4 m	891-8995/106-401	891-8995/106-402	891-8995/116-401	891-8995/116-402	5 m	891-8995/106-501	891-8995/106-502	891-8995/116-501	891-8995/116-502	6 m	891-8995/106-601	891-8995/106-602	891-8995/116-601	891-8995/116-602	7 m	891-8995/106-701	891-8995/106-702	891-8995/116-701	891-8995/116-702	8 m	891-8995/106-801	891-8995/106-802	891-8995/116-801	891-8995/116-802
Length	Item No. black	Item No. white	Item No. black	Item No. white																																																					
● ○ Coding A																																																									
PVC		halogen-free																																																							
1 m	891-8995/106-101	891-8995/106-102	891-8995/116-101	891-8995/116-102																																																					
2 m	891-8995/106-201	891-8995/106-202	891-8995/116-201	891-8995/116-202																																																					
3 m	891-8995/106-301	891-8995/106-302	891-8995/116-301	891-8995/116-302																																																					
4 m	891-8995/106-401	891-8995/106-402	891-8995/116-401	891-8995/116-402																																																					
5 m	891-8995/106-501	891-8995/106-502	891-8995/116-501	891-8995/116-502																																																					
6 m	891-8995/106-601	891-8995/106-602	891-8995/116-601	891-8995/116-602																																																					
7 m	891-8995/106-701	891-8995/106-702	891-8995/116-701	891-8995/116-702																																																					
8 m	891-8995/106-801	891-8995/106-802	891-8995/116-801	891-8995/116-802																																																					
Connecting cable, plug – free end		<table border="1"> <thead> <tr> <th>Length</th> <th>Item No. black</th> <th>Item No. white</th> <th>Item No. black</th> <th>Item No. white</th> </tr> </thead> <tbody> <tr> <td colspan="5">● ○ Coding A</td> </tr> <tr> <td colspan="2">PVC</td> <td colspan="3">halogen-free</td> </tr> <tr> <td>1 m</td> <td>891-8995/206-101</td> <td>891-8995/206-102</td> <td>891-8995/216-101</td> <td>891-8995/216-102</td> </tr> <tr> <td>2 m</td> <td>891-8995/206-201</td> <td>891-8995/206-202</td> <td>891-8995/216-201</td> <td>891-8995/216-202</td> </tr> <tr> <td>3 m</td> <td>891-8995/206-301</td> <td>891-8995/206-302</td> <td>891-8995/216-301</td> <td>891-8995/216-302</td> </tr> <tr> <td>4 m</td> <td>891-8995/206-401</td> <td>891-8995/206-402</td> <td>891-8995/216-401</td> <td>891-8995/216-402</td> </tr> <tr> <td>5 m</td> <td>891-8995/206-501</td> <td>891-8995/206-502</td> <td>891-8995/216-501</td> <td>891-8995/216-502</td> </tr> <tr> <td>6 m</td> <td>891-8995/206-601</td> <td>891-8995/206-602</td> <td>891-8995/216-601</td> <td>891-8995/216-602</td> </tr> <tr> <td>7 m</td> <td>891-8995/206-701</td> <td>891-8995/206-702</td> <td>891-8995/216-701</td> <td>891-8995/216-702</td> </tr> <tr> <td>8 m</td> <td>891-8995/206-801</td> <td>891-8995/206-802</td> <td>891-8995/216-801</td> <td>891-8995/216-802</td> </tr> </tbody> </table>	Length	Item No. black	Item No. white	Item No. black	Item No. white	● ○ Coding A					PVC		halogen-free			1 m	891-8995/206-101	891-8995/206-102	891-8995/216-101	891-8995/216-102	2 m	891-8995/206-201	891-8995/206-202	891-8995/216-201	891-8995/216-202	3 m	891-8995/206-301	891-8995/206-302	891-8995/216-301	891-8995/216-302	4 m	891-8995/206-401	891-8995/206-402	891-8995/216-401	891-8995/216-402	5 m	891-8995/206-501	891-8995/206-502	891-8995/216-501	891-8995/216-502	6 m	891-8995/206-601	891-8995/206-602	891-8995/216-601	891-8995/216-602	7 m	891-8995/206-701	891-8995/206-702	891-8995/216-701	891-8995/216-702	8 m	891-8995/206-801	891-8995/206-802	891-8995/216-801	891-8995/216-802
Length	Item No. black	Item No. white	Item No. black	Item No. white																																																					
● ○ Coding A																																																									
PVC		halogen-free																																																							
1 m	891-8995/206-101	891-8995/206-102	891-8995/216-101	891-8995/216-102																																																					
2 m	891-8995/206-201	891-8995/206-202	891-8995/216-201	891-8995/216-202																																																					
3 m	891-8995/206-301	891-8995/206-302	891-8995/216-301	891-8995/216-302																																																					
4 m	891-8995/206-401	891-8995/206-402	891-8995/216-401	891-8995/216-402																																																					
5 m	891-8995/206-501	891-8995/206-502	891-8995/216-501	891-8995/216-502																																																					
6 m	891-8995/206-601	891-8995/206-602	891-8995/216-601	891-8995/216-602																																																					
7 m	891-8995/206-701	891-8995/206-702	891-8995/216-701	891-8995/216-702																																																					
8 m	891-8995/206-801	891-8995/206-802	891-8995/216-801	891-8995/216-802																																																					
Info		Accessories																																																							
<p>① For "International Certification Organizations" and "Approvals – User Guide", see pages 300 to 303. Marine approvals (GL, LR, NV) relate exclusively to cables approved for marine applications.</p> <p>② Blue plugs and sockets are suitable for 16 A DALI applications. For other cables, please contact factory.</p> <p>● black Coding A (N ⊕ 1 2 3) ○ white Coding A (N ⊕ 1 2 3) ● blue Coding I (N ⊕ L - +)</p> <p>For coding information, see pages 284 to 286. Fire load data available upon request.</p>		<p>Locking lever, for "flying leads",</p> <table border="1"> <tr> <td rowspan="2"></td> <td>tool operated</td> <td></td> <td></td> </tr> <tr> <td>black</td> <td>890-111</td> <td>100 (2x50)</td> </tr> <tr> <td></td> <td>white</td> <td>890-131</td> <td>100 (2x50)</td> </tr> </table> <p>Mounting carrier, for 2- to 5-pole "flying leads"</p> <table border="1"> <tr> <td rowspan="2"></td> <td>black</td> <td>890-310</td> <td>100</td> </tr> <tr> <td>white</td> <td>890-311</td> <td>100</td> </tr> </table>		tool operated			black	890-111	100 (2x50)		white	890-131	100 (2x50)		black	890-310	100	white	890-311	100																																					
	tool operated																																																								
	black	890-111	100 (2x50)																																																						
	white	890-131	100 (2x50)																																																						
	black	890-310	100																																																						
	white	890-311	100																																																						

	<p>PVC H05VV-F 5G1.5 halogen-free H05Z1Z1-F 5G1.5</p> <p>400 V/6 kV/3 I_N 16 A ②</p> <p>Conductor ends, bonded: 9 mm</p> <p>① Approvals</p>																																																							
<p>Interconnecting cable, socket – plug</p>	<table border="1"> <thead> <tr> <th>Length</th> <th>Item No. black</th> <th>Item No. white</th> <th>Item No. black</th> <th>Item No. white</th> </tr> </thead> <tbody> <tr> <td colspan="5">● Coding I, e.g., for dimming function (DALI)</td> </tr> <tr> <td colspan="2">PVC</td> <td colspan="3">halogen-free</td> </tr> <tr><td>1 m</td><td>891-8985/006-101</td><td>891-8985/006-102</td><td>891-8985/016-101</td><td>891-8985/016-102</td></tr> <tr><td>2 m</td><td>891-8985/006-201</td><td>891-8985/006-202</td><td>891-8985/016-201</td><td>891-8985/016-202</td></tr> <tr><td>3 m</td><td>891-8985/006-301</td><td>891-8985/006-302</td><td>891-8985/016-301</td><td>891-8985/016-302</td></tr> <tr><td>4 m</td><td>891-8985/006-401</td><td>891-8985/006-402</td><td>891-8985/016-401</td><td>891-8985/016-402</td></tr> <tr><td>5 m</td><td>891-8985/006-501</td><td>891-8985/006-502</td><td>891-8985/016-501</td><td>891-8985/016-502</td></tr> <tr><td>6 m</td><td>891-8985/006-601</td><td>891-8985/006-602</td><td>891-8985/016-601</td><td>891-8985/016-602</td></tr> <tr><td>7 m</td><td>891-8985/006-701</td><td>891-8985/006-702</td><td>891-8985/016-701</td><td>891-8985/016-702</td></tr> <tr><td>8 m</td><td>891-8985/006-801</td><td>891-8985/006-802</td><td>891-8985/016-801</td><td>891-8985/016-802</td></tr> </tbody> </table>	Length	Item No. black	Item No. white	Item No. black	Item No. white	● Coding I, e.g., for dimming function (DALI)					PVC		halogen-free			1 m	891-8985/006-101	891-8985/006-102	891-8985/016-101	891-8985/016-102	2 m	891-8985/006-201	891-8985/006-202	891-8985/016-201	891-8985/016-202	3 m	891-8985/006-301	891-8985/006-302	891-8985/016-301	891-8985/016-302	4 m	891-8985/006-401	891-8985/006-402	891-8985/016-401	891-8985/016-402	5 m	891-8985/006-501	891-8985/006-502	891-8985/016-501	891-8985/016-502	6 m	891-8985/006-601	891-8985/006-602	891-8985/016-601	891-8985/016-602	7 m	891-8985/006-701	891-8985/006-702	891-8985/016-701	891-8985/016-702	8 m	891-8985/006-801	891-8985/006-802	891-8985/016-801	891-8985/016-802
Length	Item No. black	Item No. white	Item No. black	Item No. white																																																				
● Coding I, e.g., for dimming function (DALI)																																																								
PVC		halogen-free																																																						
1 m	891-8985/006-101	891-8985/006-102	891-8985/016-101	891-8985/016-102																																																				
2 m	891-8985/006-201	891-8985/006-202	891-8985/016-201	891-8985/016-202																																																				
3 m	891-8985/006-301	891-8985/006-302	891-8985/016-301	891-8985/016-302																																																				
4 m	891-8985/006-401	891-8985/006-402	891-8985/016-401	891-8985/016-402																																																				
5 m	891-8985/006-501	891-8985/006-502	891-8985/016-501	891-8985/016-502																																																				
6 m	891-8985/006-601	891-8985/006-602	891-8985/016-601	891-8985/016-602																																																				
7 m	891-8985/006-701	891-8985/006-702	891-8985/016-701	891-8985/016-702																																																				
8 m	891-8985/006-801	891-8985/006-802	891-8985/016-801	891-8985/016-802																																																				
																																																								
<p>Connecting cable, socket – free end</p>	<table border="1"> <thead> <tr> <th>Length</th> <th>Item No. black</th> <th>Item No. white</th> <th>Item No. black</th> <th>Item No. white</th> </tr> </thead> <tbody> <tr> <td colspan="5">● Coding I, e.g., for dimming function (DALI)</td> </tr> <tr> <td colspan="2">PVC</td> <td colspan="3">halogen-free</td> </tr> <tr><td>1 m</td><td>891-8985/106-101</td><td>891-8985/106-102</td><td>891-8985/116-101</td><td>891-8985/116-102</td></tr> <tr><td>2 m</td><td>891-8985/106-201</td><td>891-8985/106-202</td><td>891-8985/116-201</td><td>891-8985/116-202</td></tr> <tr><td>3 m</td><td>891-8985/106-301</td><td>891-8985/106-302</td><td>891-8985/116-301</td><td>891-8985/116-302</td></tr> <tr><td>4 m</td><td>891-8985/106-401</td><td>891-8985/106-402</td><td>891-8985/116-401</td><td>891-8985/116-402</td></tr> <tr><td>5 m</td><td>891-8985/106-501</td><td>891-8985/106-502</td><td>891-8985/116-501</td><td>891-8985/116-502</td></tr> <tr><td>6 m</td><td>891-8985/106-601</td><td>891-8985/106-602</td><td>891-8985/116-601</td><td>891-8985/116-602</td></tr> <tr><td>7 m</td><td>891-8985/106-701</td><td>891-8985/106-702</td><td>891-8985/116-701</td><td>891-8985/116-702</td></tr> <tr><td>8 m</td><td>891-8985/106-801</td><td>891-8985/106-802</td><td>891-8985/116-801</td><td>891-8985/116-802</td></tr> </tbody> </table>	Length	Item No. black	Item No. white	Item No. black	Item No. white	● Coding I, e.g., for dimming function (DALI)					PVC		halogen-free			1 m	891-8985/106-101	891-8985/106-102	891-8985/116-101	891-8985/116-102	2 m	891-8985/106-201	891-8985/106-202	891-8985/116-201	891-8985/116-202	3 m	891-8985/106-301	891-8985/106-302	891-8985/116-301	891-8985/116-302	4 m	891-8985/106-401	891-8985/106-402	891-8985/116-401	891-8985/116-402	5 m	891-8985/106-501	891-8985/106-502	891-8985/116-501	891-8985/116-502	6 m	891-8985/106-601	891-8985/106-602	891-8985/116-601	891-8985/116-602	7 m	891-8985/106-701	891-8985/106-702	891-8985/116-701	891-8985/116-702	8 m	891-8985/106-801	891-8985/106-802	891-8985/116-801	891-8985/116-802
Length	Item No. black	Item No. white	Item No. black	Item No. white																																																				
● Coding I, e.g., for dimming function (DALI)																																																								
PVC		halogen-free																																																						
1 m	891-8985/106-101	891-8985/106-102	891-8985/116-101	891-8985/116-102																																																				
2 m	891-8985/106-201	891-8985/106-202	891-8985/116-201	891-8985/116-202																																																				
3 m	891-8985/106-301	891-8985/106-302	891-8985/116-301	891-8985/116-302																																																				
4 m	891-8985/106-401	891-8985/106-402	891-8985/116-401	891-8985/116-402																																																				
5 m	891-8985/106-501	891-8985/106-502	891-8985/116-501	891-8985/116-502																																																				
6 m	891-8985/106-601	891-8985/106-602	891-8985/116-601	891-8985/116-602																																																				
7 m	891-8985/106-701	891-8985/106-702	891-8985/116-701	891-8985/116-702																																																				
8 m	891-8985/106-801	891-8985/106-802	891-8985/116-801	891-8985/116-802																																																				
																																																								
<p>Connecting cable, plug – free end</p>	<table border="1"> <thead> <tr> <th>Length</th> <th>Item No. black</th> <th>Item No. white</th> <th>Item No. black</th> <th>Item No. white</th> </tr> </thead> <tbody> <tr> <td colspan="5">● Coding I, e.g., for dimming function (DALI)</td> </tr> <tr> <td colspan="2">PVC</td> <td colspan="3">halogen-free</td> </tr> <tr><td>1 m</td><td>891-8985/206-101</td><td>891-8985/206-102</td><td>891-8985/216-101</td><td>891-8985/216-102</td></tr> <tr><td>2 m</td><td>891-8985/206-201</td><td>891-8985/206-202</td><td>891-8985/216-201</td><td>891-8985/216-202</td></tr> <tr><td>3 m</td><td>891-8985/206-301</td><td>891-8985/206-302</td><td>891-8985/216-301</td><td>891-8985/216-302</td></tr> <tr><td>4 m</td><td>891-8985/206-401</td><td>891-8985/206-402</td><td>891-8985/216-401</td><td>891-8985/216-402</td></tr> <tr><td>5 m</td><td>891-8985/206-501</td><td>891-8985/206-502</td><td>891-8985/216-501</td><td>891-8985/216-502</td></tr> <tr><td>6 m</td><td>891-8985/206-601</td><td>891-8985/206-602</td><td>891-8985/216-601</td><td>891-8985/216-602</td></tr> <tr><td>7 m</td><td>891-8985/206-701</td><td>891-8985/206-702</td><td>891-8985/216-701</td><td>891-8985/216-702</td></tr> <tr><td>8 m</td><td>891-8985/206-801</td><td>891-8985/206-802</td><td>891-8985/216-801</td><td>891-8985/216-802</td></tr> </tbody> </table>	Length	Item No. black	Item No. white	Item No. black	Item No. white	● Coding I, e.g., for dimming function (DALI)					PVC		halogen-free			1 m	891-8985/206-101	891-8985/206-102	891-8985/216-101	891-8985/216-102	2 m	891-8985/206-201	891-8985/206-202	891-8985/216-201	891-8985/216-202	3 m	891-8985/206-301	891-8985/206-302	891-8985/216-301	891-8985/216-302	4 m	891-8985/206-401	891-8985/206-402	891-8985/216-401	891-8985/216-402	5 m	891-8985/206-501	891-8985/206-502	891-8985/216-501	891-8985/216-502	6 m	891-8985/206-601	891-8985/206-602	891-8985/216-601	891-8985/216-602	7 m	891-8985/206-701	891-8985/206-702	891-8985/216-701	891-8985/216-702	8 m	891-8985/206-801	891-8985/206-802	891-8985/216-801	891-8985/216-802
Length	Item No. black	Item No. white	Item No. black	Item No. white																																																				
● Coding I, e.g., for dimming function (DALI)																																																								
PVC		halogen-free																																																						
1 m	891-8985/206-101	891-8985/206-102	891-8985/216-101	891-8985/216-102																																																				
2 m	891-8985/206-201	891-8985/206-202	891-8985/216-201	891-8985/216-202																																																				
3 m	891-8985/206-301	891-8985/206-302	891-8985/216-301	891-8985/216-302																																																				
4 m	891-8985/206-401	891-8985/206-402	891-8985/216-401	891-8985/216-402																																																				
5 m	891-8985/206-501	891-8985/206-502	891-8985/216-501	891-8985/216-502																																																				
6 m	891-8985/206-601	891-8985/206-602	891-8985/216-601	891-8985/216-602																																																				
7 m	891-8985/206-701	891-8985/206-702	891-8985/216-701	891-8985/216-702																																																				
8 m	891-8985/206-801	891-8985/206-802	891-8985/216-801	891-8985/216-802																																																				
																																																								
	<p>Accessories</p> <p>Locking lever, for "flying leads",</p> <table border="1"> <tr> <td rowspan="2"></td> <td>tool operated</td> <td></td> <td></td> </tr> <tr> <td>black</td> <td>890-111</td> <td>100 (2x50)</td> </tr> <tr> <td></td> <td>white</td> <td>890-131</td> <td>100 (2x50)</td> </tr> </table> <p>Mounting carrier, for 2- to 5-pole "flying leads"</p> <table border="1"> <tr> <td rowspan="2"></td> <td>black</td> <td>890-310</td> <td>100</td> </tr> <tr> <td>white</td> <td>890-311</td> <td>100</td> </tr> </table>		tool operated			black	890-111	100 (2x50)		white	890-131	100 (2x50)		black	890-310	100	white	890-311	100																																					
	tool operated																																																							
	black	890-111	100 (2x50)																																																					
	white	890-131	100 (2x50)																																																					
	black	890-310	100																																																					
	white	890-311	100																																																					

**Important note:**

B-Coded components of the *WINSTA*[®] MINI special series are designed for specialty applications (e.g., measurement, control and regulation technology) and certified per DIN EN 61984. In addition to the gray models for 110–400 V voltages, there is now also a variant in light green for low voltages up to 48 V, as well as a pink one for bus applications. Each of the three versions is available in 2-, 3- or 4-pole configurations. Pole marking can be printed at the factory to suit customer requirements. According to IEC 61535, B-coded products are protected against mismatching with all other coding types found in the *WINSTA*[®] system. Within B coding, all special variants can mate with each other. Special variants can be clearly differentiated according to color and pole marking.

WINSTA® MINI special
890/891 Series
up to 1.5 mm² / 16 A

2

- Note:**
- Installation connectors are designed for connection and disconnection while not under load.
 - There is no hazard-inducing interchangeability with other systems based on IEC 60309, IEC 60320, IEC 60906 and with national connector and socket systems.
 - Compliance with the standards does not guarantee hazard-preventing, non-interchangeability with installation connector systems from various manufacturers.
 - Installation connector systems are not a substitute for residential connector/socket systems.



890 Series	
Connectors, 2-Pole	47
Connectors, 3-Pole	54
Connectors, 4-Pole	62
Connectors, 5-Pole	70



890 Series	
Snap-In Device Connectors, 2-Pole	48
Snap-In Device Connectors, 3-Pole	55
Snap-In Device Connectors, 4-Pole	63
Snap-In Device Connectors, 5-Pole	71



890 Series	
PCB Connectors, 2-Pole	50 – 51
PCB Connectors, 3-Pole	56 – 57
PCB Connectors, 4-Pole	64 – 65
PCB Connectors, 5-Pole	72 – 73



890 Series	
Distribution Connectors, 2-Pole	49
Distribution Connectors, 3-Pole	58
Distribution Connectors, 4-Pole	66 – 67



891 Series	
Cable Assemblies, 2-Pole	52 – 53
Cable Assemblies, 3-Pole	60 – 61
Cable Assemblies, 4-Pole	68 – 69
Cable Assemblies, 5-Pole	74 – 75

WINSTA® MINI special, 890 Series Handling:

Pole marking



Gray, B-coded connector with "2 1" marking; e.g., control signal (A circuit)

Circuit identification



Easy circuit identification via different marking and colors.

Protection against mismatching



B-coded connectors (shown in gray) not only differ in color, but also in their design, making them incompatible with other coded connectors.

Pole marking

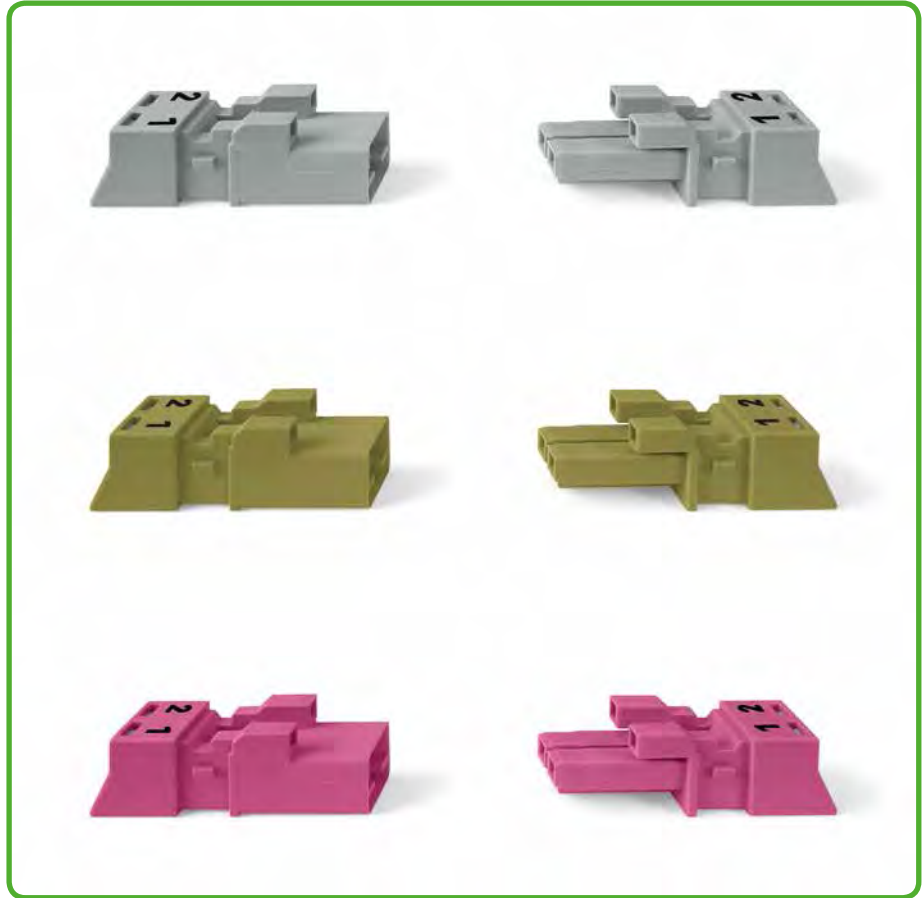


Light green, B-coded connector with "- +" marking; e.g., DC power supply (24 V circuit)

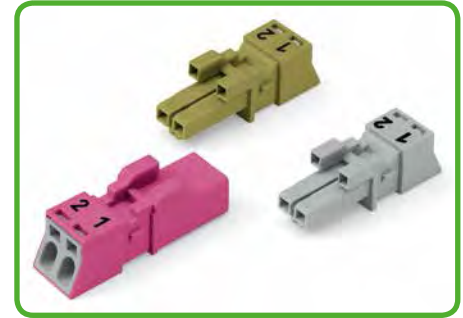
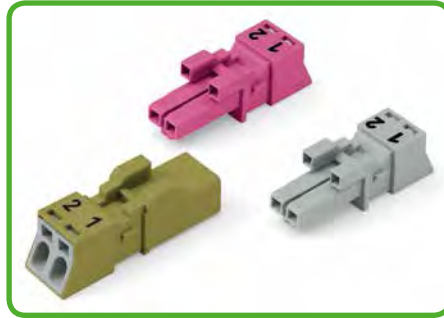
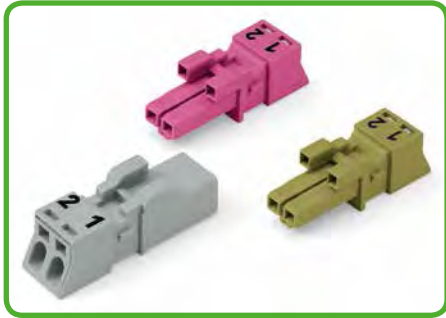
Pole marking



Pink, B-coded connector with "2 1" marking; e.g., control signal (B circuit)



Plug compatibility



B-coded connectors with different colors can be plugged together.

Important note:

Different colors and/or pole marking are used for circuit identification.

Only connectors of the same color and same pole marking must be plugged together.

<p>0.25–1.5 mm² ① 250 V/4 kV/3 I_N 16 A</p> <p>9 mm / 0.35 in.</p> <p>② Approvals</p>	<p>22–16 AWG</p>	<p>0.25–1.5 mm² ① 250 V/4 kV/3 I_N 16 A</p> <p>9 mm / 0.35 in.</p> <p>② Approvals</p>	<p>22–16 AWG</p>
--	------------------	--	------------------

Notice:

All connectors for fixed installations (snap-in versions for lighting fixtures, devices or all types of PCBs and distribution cabinets) are factory-equipped with locking levers to ensure plugs and sockets are securely locked. Additional locking levers are only required for “flying leads” (plug/socket).



Description	Color	Item No.	Pack. Unit	Color	Item No.	Pack. Unit
Connectors, 2-pole, with CAGE CLAMP® S connection	Socket without strain relief housing			Plug without strain relief housing		
	gray	890-242	50	gray	890-252	50
	gray	890-242/060-000*	50	gray	890-252/060-000*	50
	light green	890-262	50	light green	890-272	50
	pink	890-282	50	pink	890-292	50
	pink	890-282/080-000*	50	pink	890-292/080-000*	50
	pink	890-282/082-000*	50	pink	890-292/082-000*	50
	*For pole marking, see page 287.			*For pole marking, see page 287.		

Item-Specific Accessories						
			<p>Strain relief housing,</p> <p>for 3.8–8.2 mm cable diameter</p> <p>black 890-502 50</p> <p>white 890-512 50</p>			
			<p>Strain relief housing,</p> <p>for 3.8–8.2 mm cable diameter</p> <p>black 890-502 50</p> <p>white 890-512 50</p>			

Accessories, 890 Series						
			<p>Locking lever, for “flying leads”,</p> <p>tool operated</p> <p>black 890-111 100 (2x50)</p> <p>white 890-131 100 (2x50)</p>			
			<p>Locking lever, for “flying leads”,</p> <p>tool operated</p> <p>black 890-111 100 (2x50)</p> <p>white 890-131 100 (2x50)</p>			
			<p>Mounting carrier, for 2- to 5-pole</p> <p>“flying leads”</p> <p>black 890-310 100</p> <p>white 890-311 100</p>			
			<p>Mounting carrier, for 2- to 5-pole</p> <p>“flying leads”</p> <p>black 890-310 100</p> <p>white 890-311 100</p>			

Dimensions

① Conductor sizes: 0.25–1.5 mm² “s + f-st”
0.25–1 mm² “stranded”

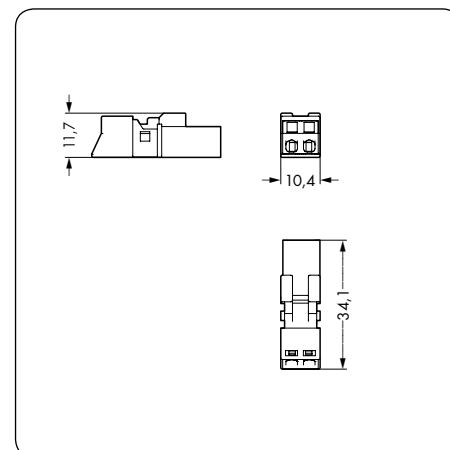
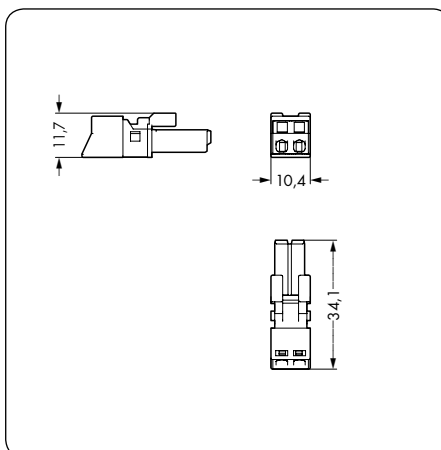
② For “International Certification Organizations” and “Approvals – User Guide”, see pages 300 to 303.

Standard printing (without suffix number)

- gray Coding B (1 2)
- light green Coding B (1 2)
- pink Coding B (1 2)

For additional pole marking, see page 287.

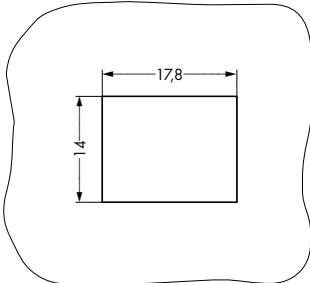
For coding information, see pages 284 to 286.
Fire load data available upon request.



WINSTA® MINI special Snap-In Sockets and Plugs, 2-Pole



Cutout dimensions Plate thickness: 0.5–2 mm Cutout tolerance: + 0.1 mm	0.25–1.5 mm ² ① 250 V/4 kV/3 I _N 16 A	22–16 AWG	0.25–1.5 mm ² ① 250 V/4 kV/3 I _N 16 A	22–16 AWG
	9 mm / 0.35 in. ② Approvals		9 mm / 0.35 in. ② Approvals	



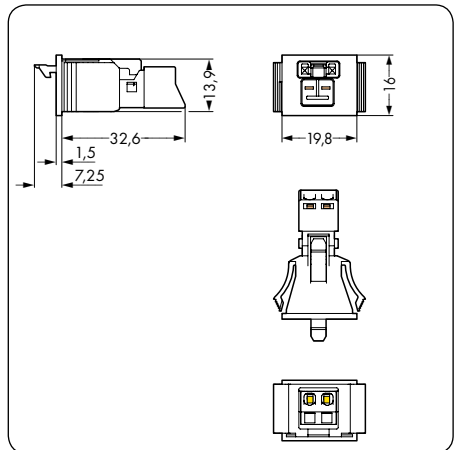
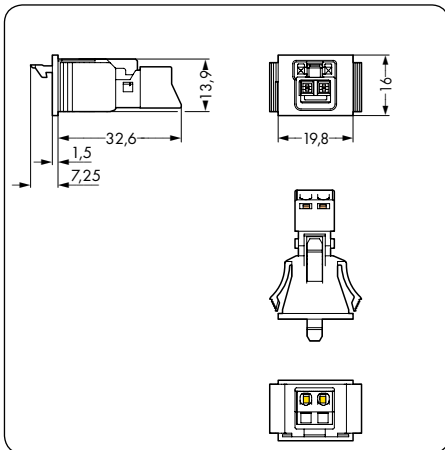
Description	Color	Item No.	Pack. Unit	Color	Item No.	Pack. Unit
Connectors, snap-in device connection, 2-pole, with CAGE CLAMP® S connection	Socket			Plug		
	● gray	890-742	50	● gray	890-752	50
	● gray	890-742/060-000*	50	● gray	890-752/060-000*	50
	● light green	890-762	50	● light green	890-772	50
	● pink	890-782	50	● pink	890-792	50
	● pink	890-782/080-000*	50	● pink	890-792/080-000*	50
	● pink	890-782/082-000*	50	● pink	890-792/082-000*	50
		* For pole marking, see page 287.			* For pole marking, see page 287.	

Item-Specific Accessories	
Operating tool, partially insulated 2-way 	Operating tool, partially insulated 2-way
890-382 1	890-382 1


Accessories, 890 Series	
Lockout cap, for cutout, 2-pole 	Lockout cap, for cutout, 2-pole
black 890-642 100 white 890-692 100	black 890-642 100 white 890-692 100

Info	Dimensions
------	------------


- ① Conductor sizes: 0.25–1.5 mm² "s + f-st"
0.25–1 mm² "stranded"
 - ② For "International Certification Organizations" and "Approvals – User Guide", see pages 300 to 303.
 - ③ 5.0 mm Ø, 0.2–1.2 mm plate thickness
- Standard printing (without suffix number)
- gray Coding B (1 2)
 - light green Coding B (1 2)
 - pink Coding B (1 2)
- For additional pole marking, see page 287.
- For coding information, see pages 284 to 286.
Fire load data available upon request.

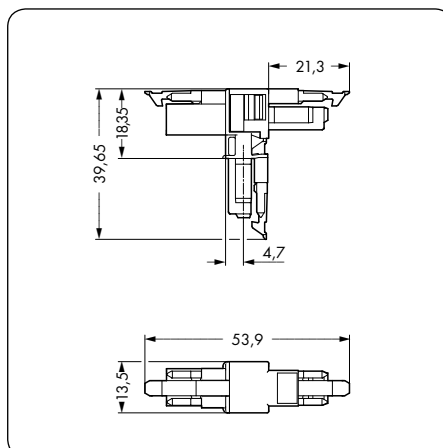


WINSTA® MINI special Distribution Connectors, 2-Pole

	250 V/4 kV/3 I_N 16 A	
	 Approvals	



Description	Color	Item No.	Pack. Unit
T-distribution connector, 2-pole, pluggable	T-distribution connector, 1 x plug/2 x socket		
	● gray	890-1601	25
	● light green	890-1602	25
	● pink	890-1603	25
	for "flying leads", with 3rd locking lever		
	● gray	890-1701	25
	● light green	890-1702	25
	● pink	890-1703	25
	For additional pole marking, see page 287.		
Accessories, 890 Series			
	Locking lever, for "flying leads", tool operated		
		black 890-111	100 (2x50)
		white 890-131	100 (2x50)
	Dimensions		



WINSTA® MINI special Cable Assemblies, 2 x 1 mm²

		PVC Control line: 2 x 1, gray 250 V/4 kV/3 I_N 10 A Conductor ends, bonded: 9 mm ① Approvals																																			
Interconnecting cable, socket – plug		Length	Item No.	Item No.	Item No.																																
		Coding B PVC <table border="1"> <tr> <td>1 m</td> <td>● 891-8992/005-103</td> <td>● 891-8992/005-105</td> <td>● 891-8992/005-107</td> </tr> <tr> <td>2 m</td> <td>● 891-8992/005-203</td> <td>● 891-8992/005-205</td> <td>● 891-8992/005-207</td> </tr> <tr> <td>3 m</td> <td>● 891-8992/005-303</td> <td>● 891-8992/005-305</td> <td>● 891-8992/005-307</td> </tr> <tr> <td>4 m</td> <td>● 891-8992/005-403</td> <td>● 891-8992/005-405</td> <td>● 891-8992/005-407</td> </tr> <tr> <td>5 m</td> <td>● 891-8992/005-503</td> <td>● 891-8992/005-505</td> <td>● 891-8992/005-507</td> </tr> <tr> <td>6 m</td> <td>● 891-8992/005-603</td> <td>● 891-8992/005-605</td> <td>● 891-8992/005-607</td> </tr> <tr> <td>7 m</td> <td>● 891-8992/005-703</td> <td>● 891-8992/005-705</td> <td>● 891-8992/005-707</td> </tr> <tr> <td>8 m</td> <td>● 891-8992/005-803</td> <td>● 891-8992/005-805</td> <td>● 891-8992/005-807</td> </tr> </table>				1 m	● 891-8992/005-103	● 891-8992/005-105	● 891-8992/005-107	2 m	● 891-8992/005-203	● 891-8992/005-205	● 891-8992/005-207	3 m	● 891-8992/005-303	● 891-8992/005-305	● 891-8992/005-307	4 m	● 891-8992/005-403	● 891-8992/005-405	● 891-8992/005-407	5 m	● 891-8992/005-503	● 891-8992/005-505	● 891-8992/005-507	6 m	● 891-8992/005-603	● 891-8992/005-605	● 891-8992/005-607	7 m	● 891-8992/005-703	● 891-8992/005-705	● 891-8992/005-707	8 m	● 891-8992/005-803	● 891-8992/005-805	● 891-8992/005-807
1 m	● 891-8992/005-103	● 891-8992/005-105	● 891-8992/005-107																																		
2 m	● 891-8992/005-203	● 891-8992/005-205	● 891-8992/005-207																																		
3 m	● 891-8992/005-303	● 891-8992/005-305	● 891-8992/005-307																																		
4 m	● 891-8992/005-403	● 891-8992/005-405	● 891-8992/005-407																																		
5 m	● 891-8992/005-503	● 891-8992/005-505	● 891-8992/005-507																																		
6 m	● 891-8992/005-603	● 891-8992/005-605	● 891-8992/005-607																																		
7 m	● 891-8992/005-703	● 891-8992/005-705	● 891-8992/005-707																																		
8 m	● 891-8992/005-803	● 891-8992/005-805	● 891-8992/005-807																																		
Connecting cable, socket – free end		Length	Item No.	Item No.	Item No.																																
		Coding B PVC <table border="1"> <tr> <td>1 m</td> <td>● 891-8992/105-103</td> <td>● 891-8992/105-105</td> <td>● 891-8992/105-107</td> </tr> <tr> <td>2 m</td> <td>● 891-8992/105-203</td> <td>● 891-8992/105-205</td> <td>● 891-8992/105-207</td> </tr> <tr> <td>3 m</td> <td>● 891-8992/105-303</td> <td>● 891-8992/105-305</td> <td>● 891-8992/105-307</td> </tr> <tr> <td>4 m</td> <td>● 891-8992/105-403</td> <td>● 891-8992/105-405</td> <td>● 891-8992/105-407</td> </tr> <tr> <td>5 m</td> <td>● 891-8992/105-503</td> <td>● 891-8992/105-505</td> <td>● 891-8992/105-507</td> </tr> <tr> <td>6 m</td> <td>● 891-8992/105-603</td> <td>● 891-8992/105-605</td> <td>● 891-8992/105-607</td> </tr> <tr> <td>7 m</td> <td>● 891-8992/105-703</td> <td>● 891-8992/105-705</td> <td>● 891-8992/105-707</td> </tr> <tr> <td>8 m</td> <td>● 891-8992/105-803</td> <td>● 891-8992/105-805</td> <td>● 891-8992/105-807</td> </tr> </table>				1 m	● 891-8992/105-103	● 891-8992/105-105	● 891-8992/105-107	2 m	● 891-8992/105-203	● 891-8992/105-205	● 891-8992/105-207	3 m	● 891-8992/105-303	● 891-8992/105-305	● 891-8992/105-307	4 m	● 891-8992/105-403	● 891-8992/105-405	● 891-8992/105-407	5 m	● 891-8992/105-503	● 891-8992/105-505	● 891-8992/105-507	6 m	● 891-8992/105-603	● 891-8992/105-605	● 891-8992/105-607	7 m	● 891-8992/105-703	● 891-8992/105-705	● 891-8992/105-707	8 m	● 891-8992/105-803	● 891-8992/105-805	● 891-8992/105-807
1 m	● 891-8992/105-103	● 891-8992/105-105	● 891-8992/105-107																																		
2 m	● 891-8992/105-203	● 891-8992/105-205	● 891-8992/105-207																																		
3 m	● 891-8992/105-303	● 891-8992/105-305	● 891-8992/105-307																																		
4 m	● 891-8992/105-403	● 891-8992/105-405	● 891-8992/105-407																																		
5 m	● 891-8992/105-503	● 891-8992/105-505	● 891-8992/105-507																																		
6 m	● 891-8992/105-603	● 891-8992/105-605	● 891-8992/105-607																																		
7 m	● 891-8992/105-703	● 891-8992/105-705	● 891-8992/105-707																																		
8 m	● 891-8992/105-803	● 891-8992/105-805	● 891-8992/105-807																																		
Connecting cable, plug – free end		Length	Item No.	Item No.	Item No.																																
		Coding B PVC <table border="1"> <tr> <td>1 m</td> <td>● 891-8992/205-103</td> <td>● 891-8992/205-105</td> <td>● 891-8992/205-107</td> </tr> <tr> <td>2 m</td> <td>● 891-8992/205-203</td> <td>● 891-8992/205-205</td> <td>● 891-8992/205-207</td> </tr> <tr> <td>3 m</td> <td>● 891-8992/205-303</td> <td>● 891-8992/205-305</td> <td>● 891-8992/205-307</td> </tr> <tr> <td>4 m</td> <td>● 891-8992/205-403</td> <td>● 891-8992/205-405</td> <td>● 891-8992/205-407</td> </tr> <tr> <td>5 m</td> <td>● 891-8992/205-503</td> <td>● 891-8992/205-505</td> <td>● 891-8992/205-507</td> </tr> <tr> <td>6 m</td> <td>● 891-8992/205-603</td> <td>● 891-8992/205-605</td> <td>● 891-8992/205-607</td> </tr> <tr> <td>7 m</td> <td>● 891-8992/205-703</td> <td>● 891-8992/205-705</td> <td>● 891-8992/205-707</td> </tr> <tr> <td>8 m</td> <td>● 891-8992/205-803</td> <td>● 891-8992/205-805</td> <td>● 891-8992/205-807</td> </tr> </table>				1 m	● 891-8992/205-103	● 891-8992/205-105	● 891-8992/205-107	2 m	● 891-8992/205-203	● 891-8992/205-205	● 891-8992/205-207	3 m	● 891-8992/205-303	● 891-8992/205-305	● 891-8992/205-307	4 m	● 891-8992/205-403	● 891-8992/205-405	● 891-8992/205-407	5 m	● 891-8992/205-503	● 891-8992/205-505	● 891-8992/205-507	6 m	● 891-8992/205-603	● 891-8992/205-605	● 891-8992/205-607	7 m	● 891-8992/205-703	● 891-8992/205-705	● 891-8992/205-707	8 m	● 891-8992/205-803	● 891-8992/205-805	● 891-8992/205-807
1 m	● 891-8992/205-103	● 891-8992/205-105	● 891-8992/205-107																																		
2 m	● 891-8992/205-203	● 891-8992/205-205	● 891-8992/205-207																																		
3 m	● 891-8992/205-303	● 891-8992/205-305	● 891-8992/205-307																																		
4 m	● 891-8992/205-403	● 891-8992/205-405	● 891-8992/205-407																																		
5 m	● 891-8992/205-503	● 891-8992/205-505	● 891-8992/205-507																																		
6 m	● 891-8992/205-603	● 891-8992/205-605	● 891-8992/205-607																																		
7 m	● 891-8992/205-703	● 891-8992/205-705	● 891-8992/205-707																																		
8 m	● 891-8992/205-803	● 891-8992/205-805	● 891-8992/205-807																																		
Info		Accessories																																			
<p>① For "International Certification Organizations" and "Approvals – User Guide", see pages 300 to 303. Marine approvals (GL, LR, NV) relate exclusively to cables approved for marine applications. For other cables, please contact factory.</p> <p>● gray Coding B (1 2) ● light green Coding B (1 2) ● pink Coding B (1 2)</p> <p>For additional pole marking, see page 287.</p> <p>For coding information, see pages 284 to 286. Fire load data available upon request.</p>		<p>Locking lever, for "flying leads",</p> <table border="1"> <tr> <td rowspan="2"></td> <td>tool operated</td> <td></td> <td></td> </tr> <tr> <td>black</td> <td>890-111</td> <td>100 (2x50)</td> </tr> <tr> <td></td> <td>white</td> <td>890-131</td> <td>100 (2x50)</td> </tr> </table> <p>Mounting carrier, for 2- to 5-pole "flying leads"</p> <table border="1"> <tr> <td rowspan="2"></td> <td>black</td> <td>890-310</td> <td>100</td> </tr> <tr> <td>white</td> <td>890-311</td> <td>100</td> </tr> </table>					tool operated			black	890-111	100 (2x50)		white	890-131	100 (2x50)		black	890-310	100	white	890-311	100														
	tool operated																																				
	black	890-111	100 (2x50)																																		
	white	890-131	100 (2x50)																																		
	black	890-310	100																																		
	white	890-311	100																																		

		PVC Control line: 2 x 1.5, gray			
		250 V/4 kV/3 I _N 16 A			
		Conductor ends, bonded: 9 mm			
		① Approvals			
Interconnecting cable, socket – plug		Length	Item No.	Item No.	Item No.
		Coding B			
		PVC			
		1 m	891-8992/006-103	891-8992/006-105	891-8992/006-107
		2 m	891-8992/006-203	891-8992/006-205	891-8992/006-207
		3 m	891-8992/006-303	891-8992/006-305	891-8992/006-307
		4 m	891-8992/006-403	891-8992/006-405	891-8992/006-407
		5 m	891-8992/006-503	891-8992/006-505	891-8992/006-507
		6 m	891-8992/006-603	891-8992/006-605	891-8992/006-607
		7 m	891-8992/006-703	891-8992/006-705	891-8992/006-707
		8 m	891-8992/006-803	891-8992/006-805	891-8992/006-807
Connecting cable, socket – free end		Length	Item No.	Item No.	Item No.
		Coding B			
		PVC			
		1 m	891-8992/106-103	891-8992/106-105	891-8992/106-107
		2 m	891-8992/106-203	891-8992/106-205	891-8992/106-207
		3 m	891-8992/106-303	891-8992/106-305	891-8992/106-307
		4 m	891-8992/106-403	891-8992/106-405	891-8992/106-407
		5 m	891-8992/106-503	891-8992/106-505	891-8992/106-507
		6 m	891-8992/106-603	891-8992/106-605	891-8992/106-607
		7 m	891-8992/106-703	891-8992/106-705	891-8992/106-707
		8 m	891-8992/106-803	891-8992/106-805	891-8992/106-807
Connecting cable, plug – free end		Length	Item No.	Item No.	Item No.
		Coding B			
		PVC			
		1 m	891-8992/206-103	891-8992/206-105	891-8992/206-107
		2 m	891-8992/206-203	891-8992/206-205	891-8992/206-207
		3 m	891-8992/206-303	891-8992/206-305	891-8992/206-307
		4 m	891-8992/206-403	891-8992/206-405	891-8992/206-407
		5 m	891-8992/206-503	891-8992/206-505	891-8992/206-507
		6 m	891-8992/206-603	891-8992/206-605	891-8992/206-607
		7 m	891-8992/206-703	891-8992/206-705	891-8992/206-707
		8 m	891-8992/206-803	891-8992/206-805	891-8992/206-807

Item numbers overview for other cable lengths

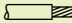
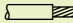
Position	1 - 3	-	4	5	6	7	/	8	9	10	-	11	12	13
gray	891	-	8	9	9	2	/	0	0	6	-	1	0	3
light green	891	-	8	9	9	2	/	0	0	6	-	1	0	5
pink	891	-	8	9	9	2	/	0	0	6	-	1	0	7

The item numbers listed above correspond to the following cable version:
Interconnecting cable, 2-pole, socket – plug, PVC control line, 2 x 1.5 mm², 1 m long

The 9th position defines whether it is a PVC or halogen-free cable. For example, an halogen-free cable with pink connectors has the following item number: 891-8992/016-107.

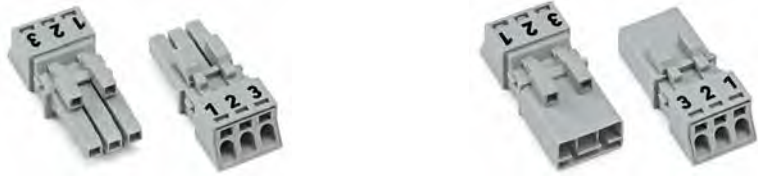
The 10th position defines the cable cross-section. For example, a 2 x 1 mm² cable with light green connectors has the following item number: 891-8992/005-105







The 11th position defines the cable length. For example, a 5-meter cable with gray connectors has the following item number: 891-8992/006-503.

<p>0.25–1.5 mm² ❶ 250 V/4 kV/3 I_N 16 A ❸</p> <p> 9 mm / 0.35 in.</p> <p>❷ Approvals</p>	<p>22–16 AWG</p> <p>0.25–1.5 mm² ❶ 250 V/4 kV/3 I_N 16 A ❸</p> <p> 9 mm / 0.35 in.</p> <p>❷ Approvals</p>
--	---

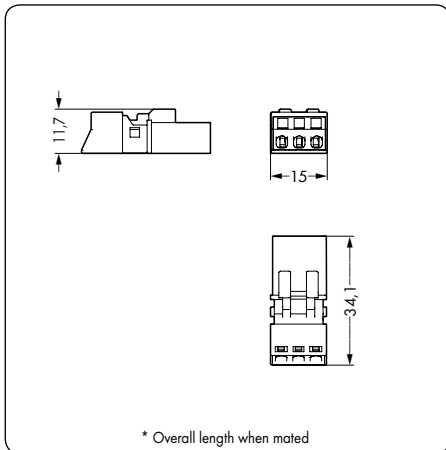
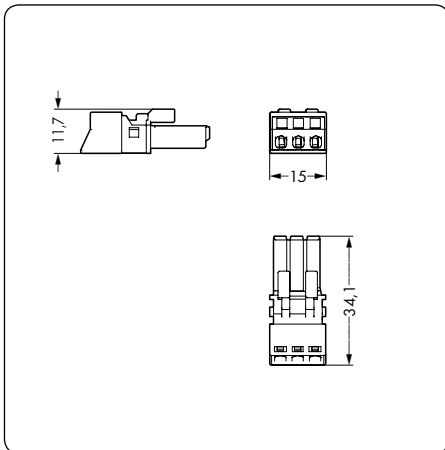
Notice:

All connectors for fixed installations (snap-in versions for lighting fixtures, devices or all types of PCBs and distribution cabinets) are factory-equipped with locking levers to ensure plugs and sockets are securely locked. Additional locking levers are only required for “flying leads” (plug/socket).



Description	Color	Item No.	Pack. Unit	Color	Item No.	Pack. Unit
Connectors, 3-pole, with CAGE CLAMP® S connection	Socket without strain relief housing			Plug without strain relief housing		
	gray	890-243	50	gray	890-253	50
	gray	890-243/060-000*	50	gray	890-253/060-000*	50
	gray	890-243/062-000*	50	gray	890-253/062-000*	50
	light green	890-263	50	light green	890-273	50
	light green	890-263/071-000*	50	light green	890-273/071-000*	50
	light green	890-263/073-000*	50	light green	890-273/073 000*	50
	pink	890-283	50	pink	890-293	50
	pink	890-283/081-000*	50	pink	890-293/081-000*	50
	pink	890-283/082-000*	50	pink	890-293/082-000*	50
	* For pole marking, see page 287.			* For pole marking, see page 287.		
Item-Specific Accessories						
	Strain relief housing,  for 4.5–10 mm cable diameter			Strain relief housing,  for 4.5–10 mm cable diameter		
		black	890-503 50		black	890-503 50
		white	890-513 50		white	890-513 50
Accessories, 890 Series						
	Locking lever, for “flying leads”,  tool operated			Locking lever, for “flying leads”,  tool operated		
		black	890-111 100 (2x50)		black	890-111 100 (2x50)
		white	890-131 100 (2x50)		white	890-131 100 (2x50)
	Mounting carrier, for 2- to 5-pole “flying leads” 			Mounting carrier, for 2- to 5-pole “flying leads” 		
		black	890-310 100		black	890-310 100
		white	890-311 100		white	890-311 100
Info	Dimensions					

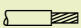
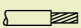
- ❶ Conductor sizes: 0.25–1.5 mm² “s + f-st”
0.25–1 mm² “stranded”
 - ❷ For “International Certification Organizations” and “Approvals – User Guide”, see pages 300 to 303.
 - ❸ For 3-pole load I_N = 13 A!
- Standard printing (without suffix number)
- gray Coding B (1 2 3)
 - light green Coding B (1 2 3)
 - pink Coding B (1 2 3)
- For additional pole marking, see page 287.
- For coding information, see pages 284 to 286.
Fire load data available upon request.

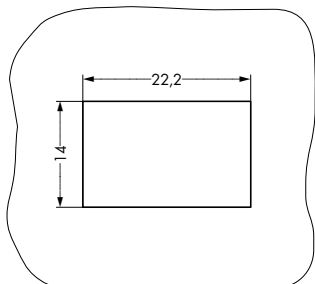


WINSTA® MINI special Snap-In Sockets and Plugs, 3-Pole

CAGE CLAMP® S



2
55



Cutout dimensions Plate thickness: 0.5–2 mm Cutout tolerance: + 0.1 mm	0.25–1.5 mm ² ① 250 V/4 kV/3 I _N 16 A ③	22–16 AWG	0.25–1.5 mm ² ① 250 V/4 kV/3 I _N 16 A ③	22–16 AWG
	 9 mm / 0.35 in. ② Approvals		 9 mm / 0.35 in. ② Approvals	



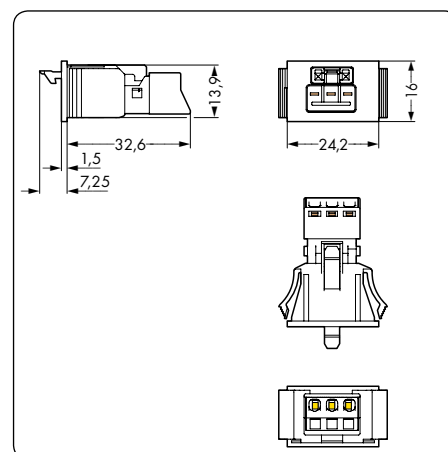
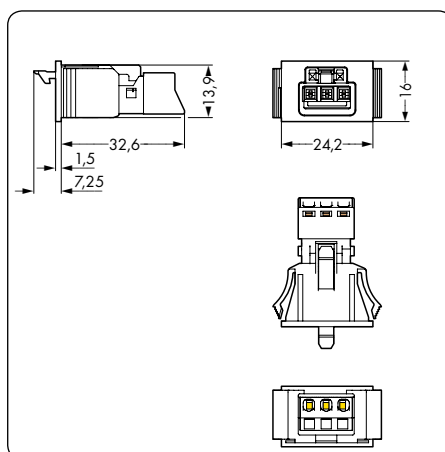
2

Description	Color	Item No.	Pack. Unit	Color	Item No.	Pack. Unit
Connectors, snap-in device connection, 3-pole, with CAGE CLAMP® S connection	Socket			Plug		
	gray	890-743	50	gray	890-753	50
	gray	890-743/060-000*	50	gray	890-753/060-000*	50
	gray	890-743/062-000*	50	gray	890-753/062-000*	50
	light green	890-763	50	light green	890-773	50
	light green	890-763/071-000*	50	light green	890-773/071-000*	50
	light green	890-763/073-000*	50	light green	890-773/073-000*	50
	pink	890-783	50	pink	890-793	50
	pink	890-783/081-000*	50	pink	890-793/081-000*	50
	pink	890-783/082-000*	50	pink	890-793/082-000*	50
	*For pole marking, see page 287.			*For pole marking, see page 287.		

Item-Specific Accessories	
 Operating tool, partially insulated 3-way 890-383 1	 Operating tool, partially insulated 3-way 890-383 1

Accessories, 890 Series	
 Lockout cap, for cutout, 3-pole black 890-643 100 white 890-693 100	 Lockout cap, for cutout, 3-pole black 890-643 100 white 890-693 100

Dimensions



WINSTA® – perfectly plugged!

WINSTA® MINI special PCB Connectors, 3-Pole

	250 V/4 kV/3 I_N 16 A ② ① Approvals	250 V/4 kV/3 I_N 16 A ② ① Approvals
--	---	---



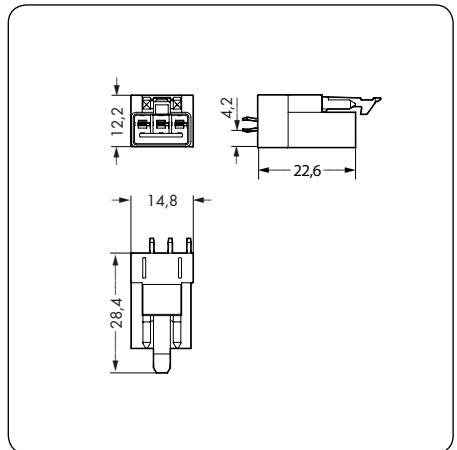
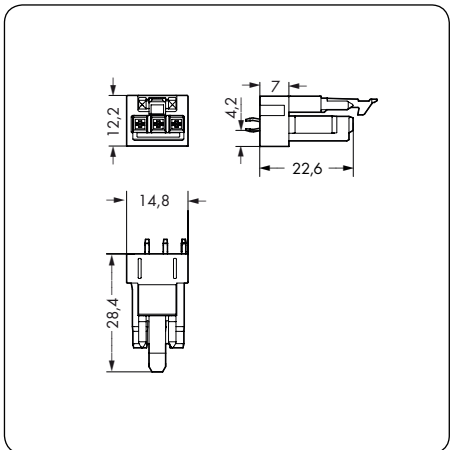
Description	Color	Item No.	Pack. Unit	Color	Item No.	Pack. Unit
PCB connectors, 2 solder pins per pole	Socket, straight			Plug, straight		
	gray	890-843	100	gray	890-853	100
	light green	890-863	100	light green	890-873	100
	pink	890-883	100	pink	890-893	100
Info	Dimensions					

① For "International Certification Organizations" and "Approvals – User Guide", see pages 300 to 303.

② For 3-pole load $I_N = 13$ A!

● gray Coding B (1 2 3)
 ● light green Coding B (1 2 3)
 ● pink Coding B (1 2 3)

For coding information, see pages 284 to 286.
 Fire load data available upon request.






WINSTA® MINI special Distribution Connectors, 3-Pole

250 V/4 kV/3
I_N 16 A ②

① Approvals



Description	Color	Item No.	Pack. Unit
h-distribution connectors, 3-pole	h-distribution connector, unidirectional, plug/socket – socket		
	● gray	890-1661	50
	● light green	890-1662	50
	● pink	890-1663	50
	for "flying leads", with 3rd locking lever		
	● gray	890-1761	50
	● light green	890-1762	50
	● pink	890-1763	50
	For additional pole marking, see page 287.		
Item-Specific Accessories			
	Mounting plate , for distribution connectors		
		black 890-623	100
		white 890-673	100
	Fixing pin , for mounting plates		
		③ black 890-601	250
Accessories, 890 Series			
	Locking lever , for "flying leads", tool operated		
		black 890-111	100 (2x50)
		white 890-131	100 (2x50)
Info	Dimensions		

① For "International Certification Organizations" and "Approvals – User Guide", see pages 300 to 303.

② For 3-pole load I_N = 13 A!

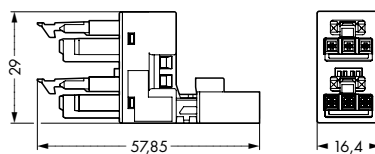
③ 5.0 mm Ø, 0.2–1.2 mm plate thickness

● gray Coding B (1 2 3)
● light green Coding B (1 2 3)
● pink Coding B (1 2 3)

For additional pole marking, see page 287.

For coding information, see pages 284 to 286.

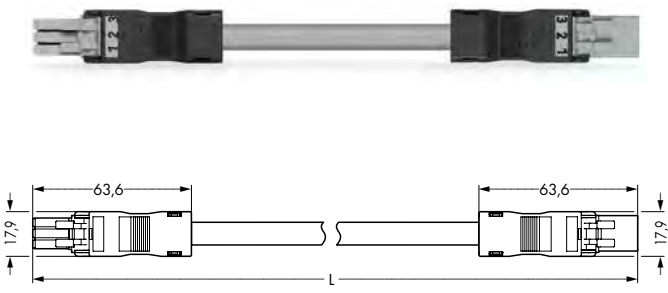
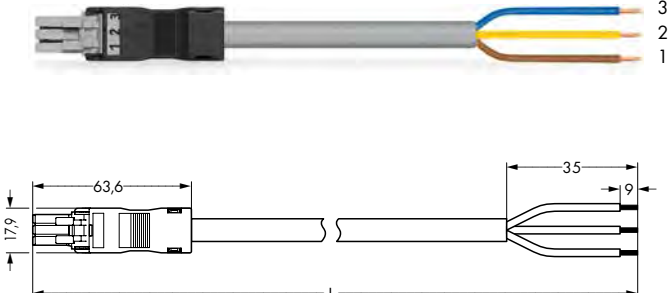
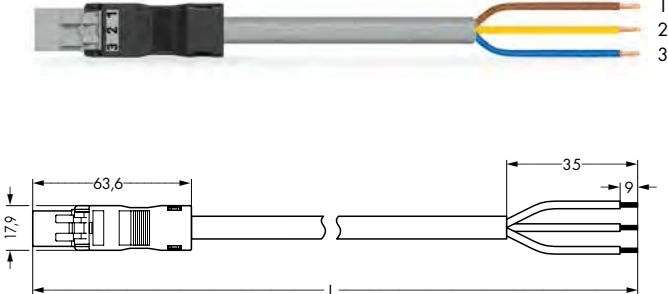






Fire load data available upon request.





WINSTA® – perfectly plugged!

WINSTA® MINI special Cable Assemblies, 3 x 1 mm²

	<p>PVC Control line: 3 x 1, gray</p> <p>250 V/4 kV/3 I_N 10 A</p> <p>Conductor ends, bonded: 9 mm</p> <p>① Approvals</p>																																												
<p>Interconnecting cable, socket – plug</p>	<table border="1"> <thead> <tr> <th>Length</th> <th>Item No.</th> <th>Item No.</th> <th>Item No.</th> </tr> </thead> <tbody> <tr> <td colspan="4">Coding B</td> </tr> <tr> <td colspan="4">PVC</td> </tr> <tr> <td>1 m</td> <td>891-8993/005-103</td> <td>891-8993/005-105</td> <td>891-8993/005-107</td> </tr> <tr> <td>2 m</td> <td>891-8993/005-203</td> <td>891-8993/005-205</td> <td>891-8993/005-207</td> </tr> <tr> <td>3 m</td> <td>891-8993/005-303</td> <td>891-8993/005-305</td> <td>891-8993/005-307</td> </tr> <tr> <td>4 m</td> <td>891-8993/005-403</td> <td>891-8993/005-405</td> <td>891-8993/005-407</td> </tr> <tr> <td>5 m</td> <td>891-8993/005-503</td> <td>891-8993/005-505</td> <td>891-8993/005-507</td> </tr> <tr> <td>6 m</td> <td>891-8993/005-603</td> <td>891-8993/005-605</td> <td>891-8993/005-607</td> </tr> <tr> <td>7 m</td> <td>891-8993/005-703</td> <td>891-8993/005-705</td> <td>891-8993/005-707</td> </tr> <tr> <td>8 m</td> <td>891-8993/005-803</td> <td>891-8993/005-805</td> <td>891-8993/005-807</td> </tr> </tbody> </table>	Length	Item No.	Item No.	Item No.	Coding B				PVC				1 m	891-8993/005-103	891-8993/005-105	891-8993/005-107	2 m	891-8993/005-203	891-8993/005-205	891-8993/005-207	3 m	891-8993/005-303	891-8993/005-305	891-8993/005-307	4 m	891-8993/005-403	891-8993/005-405	891-8993/005-407	5 m	891-8993/005-503	891-8993/005-505	891-8993/005-507	6 m	891-8993/005-603	891-8993/005-605	891-8993/005-607	7 m	891-8993/005-703	891-8993/005-705	891-8993/005-707	8 m	891-8993/005-803	891-8993/005-805	891-8993/005-807
Length	Item No.	Item No.	Item No.																																										
Coding B																																													
PVC																																													
1 m	891-8993/005-103	891-8993/005-105	891-8993/005-107																																										
2 m	891-8993/005-203	891-8993/005-205	891-8993/005-207																																										
3 m	891-8993/005-303	891-8993/005-305	891-8993/005-307																																										
4 m	891-8993/005-403	891-8993/005-405	891-8993/005-407																																										
5 m	891-8993/005-503	891-8993/005-505	891-8993/005-507																																										
6 m	891-8993/005-603	891-8993/005-605	891-8993/005-607																																										
7 m	891-8993/005-703	891-8993/005-705	891-8993/005-707																																										
8 m	891-8993/005-803	891-8993/005-805	891-8993/005-807																																										
																																													
<p>Connecting cable, socket – free end</p>	<table border="1"> <thead> <tr> <th>Length</th> <th>Item No.</th> <th>Item No.</th> <th>Item No.</th> </tr> </thead> <tbody> <tr> <td colspan="4">Coding B</td> </tr> <tr> <td colspan="4">PVC</td> </tr> <tr> <td>1 m</td> <td>891-8993/105-103</td> <td>891-8993/105-105</td> <td>891-8993/105-107</td> </tr> <tr> <td>2 m</td> <td>891-8993/105-203</td> <td>891-8993/105-205</td> <td>891-8993/105-207</td> </tr> <tr> <td>3 m</td> <td>891-8993/105-303</td> <td>891-8993/105-305</td> <td>891-8993/105-307</td> </tr> <tr> <td>4 m</td> <td>891-8993/105-403</td> <td>891-8993/105-405</td> <td>891-8993/105-407</td> </tr> <tr> <td>5 m</td> <td>891-8993/105-503</td> <td>891-8993/105-505</td> <td>891-8993/105-507</td> </tr> <tr> <td>6 m</td> <td>891-8993/105-603</td> <td>891-8993/105-605</td> <td>891-8993/105-607</td> </tr> <tr> <td>7 m</td> <td>891-8993/105-703</td> <td>891-8993/105-705</td> <td>891-8993/105-707</td> </tr> <tr> <td>8 m</td> <td>891-8993/105-803</td> <td>891-8993/105-805</td> <td>891-8993/105-807</td> </tr> </tbody> </table>	Length	Item No.	Item No.	Item No.	Coding B				PVC				1 m	891-8993/105-103	891-8993/105-105	891-8993/105-107	2 m	891-8993/105-203	891-8993/105-205	891-8993/105-207	3 m	891-8993/105-303	891-8993/105-305	891-8993/105-307	4 m	891-8993/105-403	891-8993/105-405	891-8993/105-407	5 m	891-8993/105-503	891-8993/105-505	891-8993/105-507	6 m	891-8993/105-603	891-8993/105-605	891-8993/105-607	7 m	891-8993/105-703	891-8993/105-705	891-8993/105-707	8 m	891-8993/105-803	891-8993/105-805	891-8993/105-807
Length	Item No.	Item No.	Item No.																																										
Coding B																																													
PVC																																													
1 m	891-8993/105-103	891-8993/105-105	891-8993/105-107																																										
2 m	891-8993/105-203	891-8993/105-205	891-8993/105-207																																										
3 m	891-8993/105-303	891-8993/105-305	891-8993/105-307																																										
4 m	891-8993/105-403	891-8993/105-405	891-8993/105-407																																										
5 m	891-8993/105-503	891-8993/105-505	891-8993/105-507																																										
6 m	891-8993/105-603	891-8993/105-605	891-8993/105-607																																										
7 m	891-8993/105-703	891-8993/105-705	891-8993/105-707																																										
8 m	891-8993/105-803	891-8993/105-805	891-8993/105-807																																										
																																													
<p>Connecting cable, plug – free end</p>	<table border="1"> <thead> <tr> <th>Length</th> <th>Item No.</th> <th>Item No.</th> <th>Item No.</th> </tr> </thead> <tbody> <tr> <td colspan="4">Coding B</td> </tr> <tr> <td colspan="4">PVC</td> </tr> <tr> <td>1 m</td> <td>891-8993/205-103</td> <td>891-8993/205-105</td> <td>891-8993/205-107</td> </tr> <tr> <td>2 m</td> <td>891-8993/205-203</td> <td>891-8993/205-205</td> <td>891-8993/205-207</td> </tr> <tr> <td>3 m</td> <td>891-8993/205-303</td> <td>891-8993/205-305</td> <td>891-8993/205-307</td> </tr> <tr> <td>4 m</td> <td>891-8993/205-403</td> <td>891-8993/205-405</td> <td>891-8993/205-407</td> </tr> <tr> <td>5 m</td> <td>891-8993/205-503</td> <td>891-8993/205-505</td> <td>891-8993/205-507</td> </tr> <tr> <td>6 m</td> <td>891-8993/205-603</td> <td>891-8993/205-605</td> <td>891-8993/205-607</td> </tr> <tr> <td>7 m</td> <td>891-8993/205-703</td> <td>891-8993/205-705</td> <td>891-8993/205-707</td> </tr> <tr> <td>8 m</td> <td>891-8993/205-803</td> <td>891-8993/205-805</td> <td>891-8993/205-807</td> </tr> </tbody> </table>	Length	Item No.	Item No.	Item No.	Coding B				PVC				1 m	891-8993/205-103	891-8993/205-105	891-8993/205-107	2 m	891-8993/205-203	891-8993/205-205	891-8993/205-207	3 m	891-8993/205-303	891-8993/205-305	891-8993/205-307	4 m	891-8993/205-403	891-8993/205-405	891-8993/205-407	5 m	891-8993/205-503	891-8993/205-505	891-8993/205-507	6 m	891-8993/205-603	891-8993/205-605	891-8993/205-607	7 m	891-8993/205-703	891-8993/205-705	891-8993/205-707	8 m	891-8993/205-803	891-8993/205-805	891-8993/205-807
Length	Item No.	Item No.	Item No.																																										
Coding B																																													
PVC																																													
1 m	891-8993/205-103	891-8993/205-105	891-8993/205-107																																										
2 m	891-8993/205-203	891-8993/205-205	891-8993/205-207																																										
3 m	891-8993/205-303	891-8993/205-305	891-8993/205-307																																										
4 m	891-8993/205-403	891-8993/205-405	891-8993/205-407																																										
5 m	891-8993/205-503	891-8993/205-505	891-8993/205-507																																										
6 m	891-8993/205-603	891-8993/205-605	891-8993/205-607																																										
7 m	891-8993/205-703	891-8993/205-705	891-8993/205-707																																										
8 m	891-8993/205-803	891-8993/205-805	891-8993/205-807																																										
																																													
<p>Info</p>	<p>Accessories</p>																																												
<p>① For "International Certification Organizations" and "Approvals – User Guide", see pages 300 to 303. Marine approvals (GL, LR, NV) relate exclusively to cables approved for marine applications.</p> <p>② For 3-pole load I_N = 13 A! For other cables, please contact factory.</p> <table border="0"> <tr> <td>● gray</td> <td>Coding B</td> <td>(1 2 3)</td> </tr> <tr> <td>● light green</td> <td>Coding B</td> <td>(1 2 3)</td> </tr> <tr> <td>● pink</td> <td>Coding B</td> <td>(1 2 3)</td> </tr> </table> <p>For additional pole marking, see page 287.</p> <p>For coding information, see pages 284 to 286. Fire load data available upon request.</p>	● gray	Coding B	(1 2 3)	● light green	Coding B	(1 2 3)	● pink	Coding B	(1 2 3)	<p>Locking lever, for "flying leads",</p> <table border="0"> <tr> <td></td> <td>tool operated</td> <td></td> <td></td> </tr> <tr> <td></td> <td>black</td> <td>890-111</td> <td>100 (2x50)</td> </tr> <tr> <td></td> <td>white</td> <td>890-131</td> <td>100 (2x50)</td> </tr> </table> <p>Mounting carrier, for 2- to 5-pole "flying leads"</p> <table border="0"> <tr> <td></td> <td>black</td> <td>890-310</td> <td>100</td> </tr> <tr> <td></td> <td>white</td> <td>890-311</td> <td>100</td> </tr> </table>		tool operated				black	890-111	100 (2x50)		white	890-131	100 (2x50)		black	890-310	100		white	890-311	100															
● gray	Coding B	(1 2 3)																																											
● light green	Coding B	(1 2 3)																																											
● pink	Coding B	(1 2 3)																																											
	tool operated																																												
	black	890-111	100 (2x50)																																										
	white	890-131	100 (2x50)																																										
	black	890-310	100																																										
	white	890-311	100																																										

		PVC Control line: 3 x 1.5, gray 250 V/4 kV/3 I_N 16 A ② Conductor ends, bonded: 9 mm ① Approvals			
Interconnecting cable, socket – plug		Length	Item No.	Item No.	Item No.
		Coding B PVC 1 m ● 891-8993/006-103 ● 891-8993/006-105 ● 891-8993/006-107 2 m ● 891-8993/006-203 ● 891-8993/006-205 ● 891-8993/006-207 3 m ● 891-8993/006-303 ● 891-8993/006-305 ● 891-8993/006-307 4 m ● 891-8993/006-403 ● 891-8993/006-405 ● 891-8993/006-407 5 m ● 891-8993/006-503 ● 891-8993/006-505 ● 891-8993/006-507 6 m ● 891-8993/006-603 ● 891-8993/006-605 ● 891-8993/006-607 7 m ● 891-8993/006-703 ● 891-8993/006-705 ● 891-8993/006-707 8 m ● 891-8993/006-803 ● 891-8993/006-805 ● 891-8993/006-807			
Connecting cable, socket – free end		Length	Item No.	Item No.	Item No.
		Coding B PVC 1 m ● 891-8993/106-103 ● 891-8993/106-105 ● 891-8993/106-107 2 m ● 891-8993/106-203 ● 891-8993/106-205 ● 891-8993/106-207 3 m ● 891-8993/106-303 ● 891-8993/106-305 ● 891-8993/106-307 4 m ● 891-8993/106-403 ● 891-8993/106-405 ● 891-8993/106-407 5 m ● 891-8993/106-503 ● 891-8993/106-505 ● 891-8993/106-507 6 m ● 891-8993/106-603 ● 891-8993/106-605 ● 891-8993/106-607 7 m ● 891-8993/106-703 ● 891-8993/106-705 ● 891-8993/106-707 8 m ● 891-8993/106-803 ● 891-8993/106-805 ● 891-8993/106-807			
Connecting cable, plug – free end		Length	Item No.	Item No.	Item No.
		Coding B PVC 1 m ● 891-8993/206-103 ● 891-8993/206-105 ● 891-8993/206-107 2 m ● 891-8993/206-203 ● 891-8993/206-205 ● 891-8993/206-207 3 m ● 891-8993/206-303 ● 891-8993/206-305 ● 891-8993/206-307 4 m ● 891-8993/206-403 ● 891-8993/206-405 ● 891-8993/206-407 5 m ● 891-8993/206-503 ● 891-8993/206-505 ● 891-8993/206-507 6 m ● 891-8993/206-603 ● 891-8993/206-605 ● 891-8993/206-607 7 m ● 891-8993/206-703 ● 891-8993/206-705 ● 891-8993/206-707 8 m ● 891-8993/206-803 ● 891-8993/206-805 ● 891-8993/206-807			

Item numbers overview for other cable lengths

Position	1 - 3	-	4	5	6	7	/	8	9	10	-	11	12	13
gray	891	-	8	9	9	3	/	0	0	6	-	1	0	3
light green	891	-	8	9	9	3	/	0	0	6	-	1	0	5
pink	891	-	8	9	9	3	/	0	0	6	-	1	0	7

The item numbers listed above correspond to the following cable version:
Interconnecting cable, 3-pole, socket – plug, PVC control line, 3 x 1.5 mm², 1 m long

The 9th position defines whether it is a PVC or halogen-free cable. For example, an halogen-free cable with pink connectors has the following item number: 891-8993/016-107.

The 10th position defines the cable cross-section. For example, a 3 x 1 mm² cable with light green connectors has the following item number: 891-8993/005-105.

The 11th position defines the cable length. For example, a 5-meter cable with gray connectors has the following item number: 891-8993/006-503.

WINSTA® MINI special Sockets and Plugs, 4-Pole



<p>0.25–1.5 mm² ① 400 V/6 kV/3 I_N 16 A ③</p> <p>9 mm / 0.35 in.</p> <p>② Approvals</p>	<p>22–16 AWG</p> <p>0.25–1.5 mm² ① 400 V/6 kV/3 I_N 16 A ③</p> <p>9 mm / 0.35 in.</p> <p>② Approvals</p>
--	---





Notice:

All connectors for fixed installations (snap-in versions for lighting fixtures, devices or all types of PCBs and distribution cabinets) are factory-equipped with locking levers to ensure plugs and sockets are securely locked. Additional locking levers are only required for "flying leads" (plug/socket).



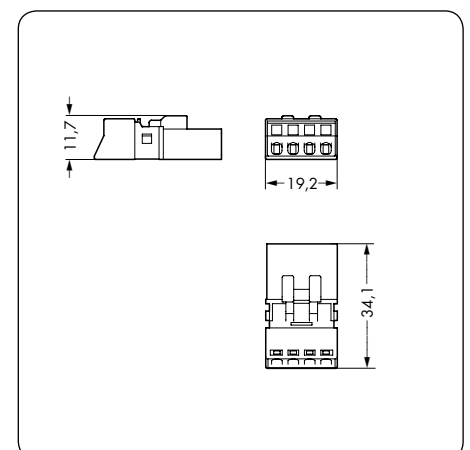
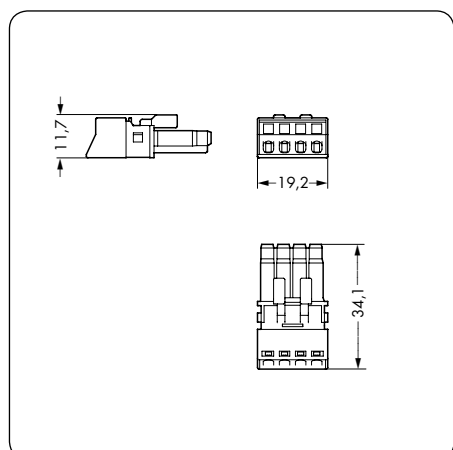
Description	Color	Item No.	Pack. Unit	Color	Item No.	Pack. Unit
Connectors, 4-pole, with CAGE CLAMP® S connection	Socket without strain relief housing			Plug without strain relief housing		
	gray	890-244	50	gray	890-254	50
	gray	890-244/060-000*	50	gray	890-254/060-000*	50
	gray	890-244/062-000*	50	gray	890-254/062-000*	50
	gray	890-244/064-000*	50	gray	890-254/064-000*	50
	light green	890-264	50	light green	890-274	50
	light green	890-264/071-000*	50	light green	890-274/071-000*	50
	light green	890-264/072-000*	50	light green	890-274/072-000*	50
	light green	890-264/073-000*	50	light green	890-274/073-000*	50
	pink	890-284	50	pink	890-294	50
	pink	890-284/081-000*	50	pink	890-294/081-000*	50
	* For pole marking, see page 287.			* For pole marking, see page 287.		

Item-Specific Accessories							
			Strain relief housing,  for 6.5–10.5 mm cable diameter black 890-504 50 white 890-514 50				Strain relief housing,  for 6.5–10.5 mm cable diameter black 890-504 50 white 890-514 50

Accessories, 890 Series							
			Locking lever, for "flying leads",  tool operated black 890-111 100 (2x50) white 890-131 100 (2x50)				Locking lever, for "flying leads",  tool operated black 890-111 100 (2x50) white 890-131 100 (2x50)
			Mounting carrier, for 2- to 5-pole "flying leads"  black 890-310 100 white 890-311 100				Mounting carrier, for 2- to 5-pole "flying leads"  black 890-310 100 white 890-311 100

Info	Dimensions
------	------------

- ① Conductor sizes: 0.25–1.5 mm² "s + f-st"
0.25–1 mm² "stranded"
 - ② For "International Certification Organizations" and "Approvals - User Guide," see pages 300 to 303.
 - ③ For 3-pole load I_N = 13 A!
For 4-pole load I_N = 10 A!
- Standard printing (without suffix number)
- gray Coding B (1 2 3 4)
 - light green Coding B (1 2 3 4)
 - pink Coding B (1 2 3 4)
- For additional pole marking, see page 287.
- For coding information, see pages 284 to 286.
Fire load data available upon request.

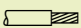
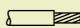


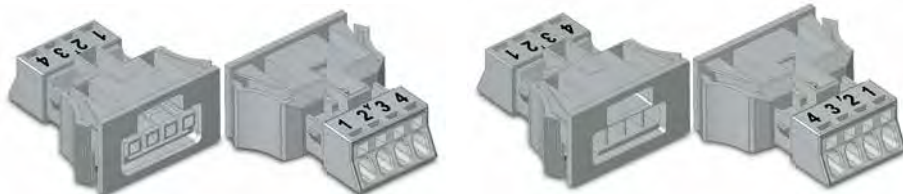
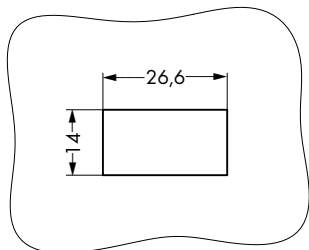
WINSTA® MINI special Snap-In Sockets and Plugs, 4-Pole

CAGE CLAMP® S

2



63



Cutout dimensions Plate thickness: 0.5–2 mm Cutout tolerance: + 0.1 mm	0.25–1.5 mm ² ① 400 V/6 kV/3 I _N 16 A ③	22–16 AWG	0.25–1.5 mm ² ① 400 V/6 kV/3 I _N 16 A ③	22–16 AWG
	 9 mm / 0.35 in. ② Approvals		 9 mm / 0.35 in. ② Approvals	



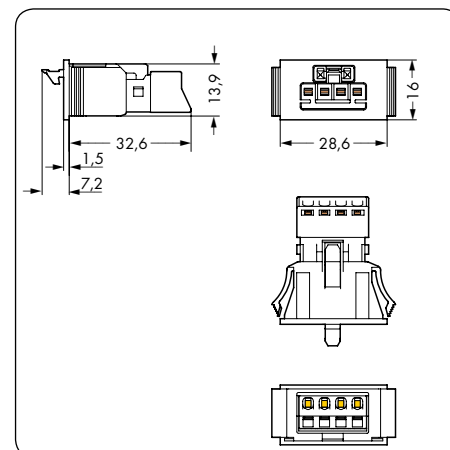
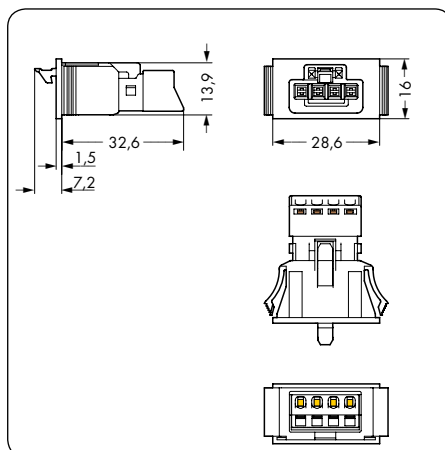
2

Description	Color	Item No.	Pack. Unit	Color	Item No.	Pack. Unit
Connectors, snap-in device connection, 4-pole, with CAGE CLAMP® S connection	Socket			Plug		
	● gray	890-744	50	● gray	890-754	50
	● gray	890-744/060-000*	50	● gray	890-754/060-000*	50
	● gray	890-744/062-000*	50	● gray	890-754/062-000*	50
	● gray	890-744/064-000*	50	● gray	890-754/064-000*	50
	● light green	890-764	50	● light green	890-774	50
	● light green	890-764/071-000*	50	● light green	890-774/071-000*	50
	● light green	890-764/072-000*	50	● light green	890-774/072-000*	50
	● light green	890-764/073-000*	50	● light green	890-774/073-000*	50
	● pink	890-784	50	● pink	890-794	50
	● pink	890-784/081-000*	50	● pink	890-794/081-000*	50
	*For pole marking, see page 287.			*For pole marking, see page 287.		

Item-Specific Accessories	
 Operating tool, partially insulated 4-way 890-384 1	 Operating tool, partially insulated 4-way 890-384 1

Accessories, 890 Series	
 Lockout cap, for cutout, 4-pole black 890-644 100 white 890-694 100	 Lockout cap, for cutout, 4-pole black 890-644 100 white 890-694 100

Dimensions



WINSTA® – perfectly plugged!

WINSTA® MINI special PCB Connectors, 4-Pole

	<p>400 V/6 kV/3 I_N 16 A ②</p> <p>① Approvals</p>	<p>400 V/6 kV/3 I_N 16 A ②</p> <p>① Approvals</p>
--	---	---



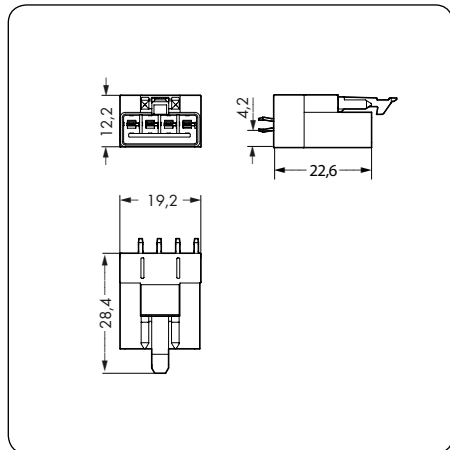
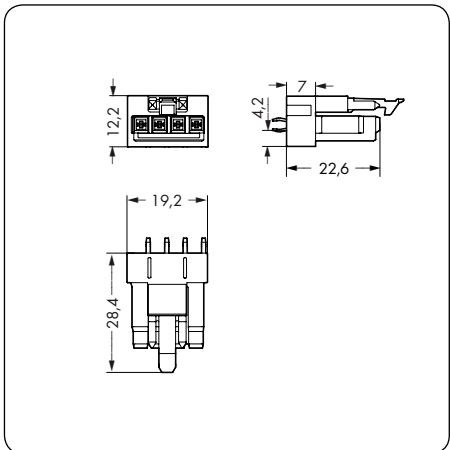
Description	Color	Item No.	Pack. Unit	Color	Item No.	Pack. Unit
PCB connectors, 2 solder pins per pole	Socket, straight			Plug, straight		
	gray	890-844	100	gray	890-854	100
	light green	890-864	100	light green	890-874	100
	pink	890-884	100	pink	890-894	100
Info	Dimensions					

① For "International Certification Organizations" and "Approvals - User Guide," see pages 300 to 303.

② For 3-pole load I_N = 13 A!
For 4-pole load I_N = 10 A!

● gray Coding B (1 2 3 4)
● light green Coding B (1 2 3 4)
● pink Coding B (1 2 3 4)

For coding information, see pages 284 to 286.
Fire load data available upon request.





WINSTA® MINI special T- and h-Distribution Connectors, 4-Pole

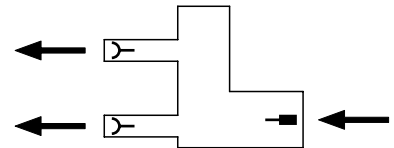
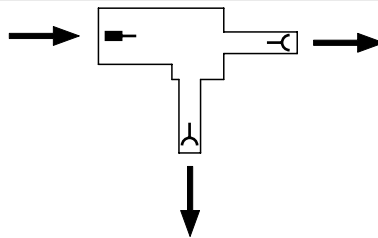
	<p>400 V/6 kV/3 I_N 16 A ③</p> <p>① Approvals</p>	<p>400 V/6 kV/3 I_N 16 A ③</p> <p>① Approvals</p>
--	---	---



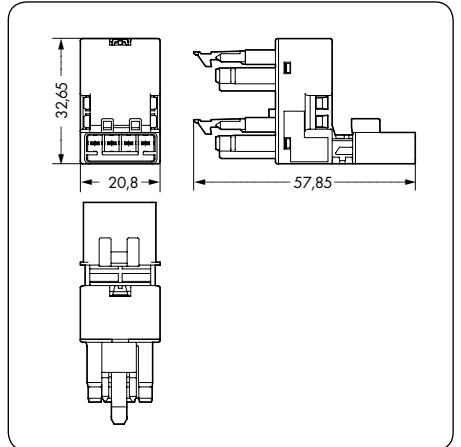
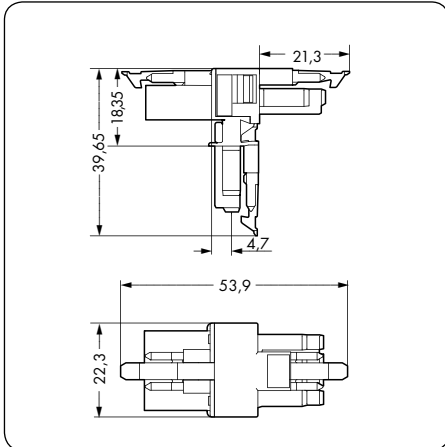
Description	Color	Item No.	Pack. Unit	Color	Item No.	Pack. Unit
T-distribution connector, h-distribution connector, 4-pole	T-distribution connector, 1 x plug/2 x socket			h-distribution connector, unidirectional, plug/socket - socket		
	gray	890-1631	50	gray	890-1681	50
	light green	890-1632	50	light green	890-1682	50
	pink	890-1633	50	pink	890-1683	50
	for "flying leads", with 3rd locking lever			for "flying leads", with 3rd locking lever		
	gray	890-1731	50	gray	890-1781	50
	light green	890-1732	50	light green	890-1782	50
	pink	890-1733	50	pink	890-1783	50

Item-Specific Accessories	
	<p>Mounting plate, for distribution connectors</p>  <p>black 890-624 50 white 890-674 50</p>
	<p>Fixing pin, for mounting plates</p>  <p>② black 890-601 250</p>

Info	Dimensions
------	------------





- ① For "International Certification Organizations" and "Approvals - User Guide," see pages 300 to 303.
 - ② 5.0 mm Ø, 0.2-1.2 mm plate thickness
 - ③ For 3-pole load I_N = 13 A!
For 4-pole load I_N = 10 A!
- | | | |
|-------------|----------|-----------|
| gray | Coding B | (1 2 3 4) |
| light green | Coding B | (1 2 3 4) |
| pink | Coding B | (1 2 3 4) |
- For coding information, see pages 284 to 286.
Fire load data available upon request.

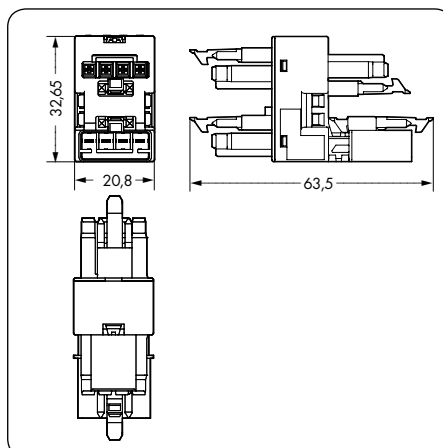
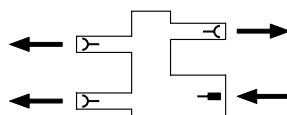


WINSTA® MINI special Distribution Connectors, 4-Pole

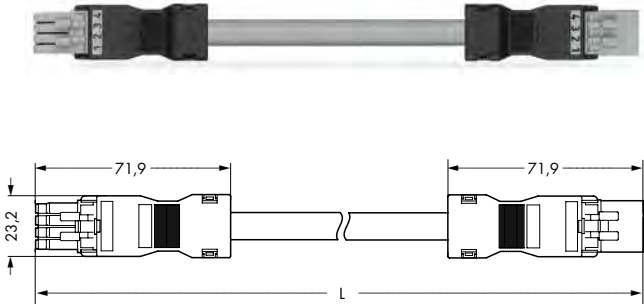
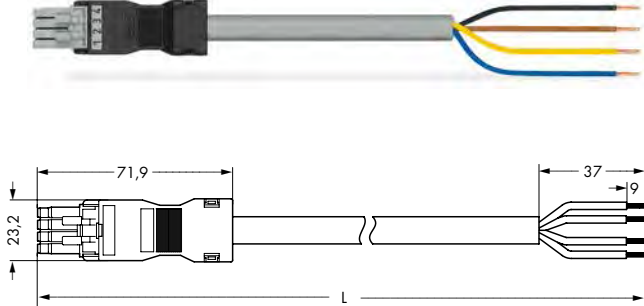
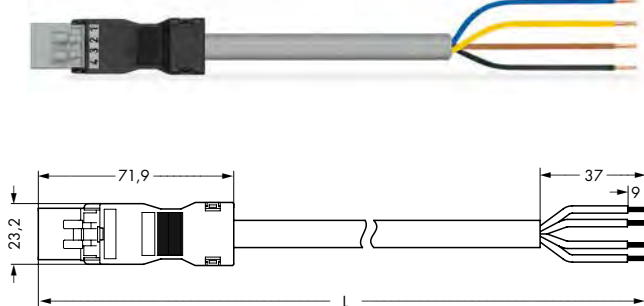






	<p>400 V/6 kV/3 I_N 16 A ③</p> <p>① Approvals</p>	
--	---	--



Description	Color	Item No.	Pack. Unit
Distribution connector, 4-pole	Distribution connector, 3-way, 1 x plug/3 x socket		
	● gray	890-1734	50
	● light green	890-1735	50
	● pink	890-1736	50
Item-Specific Accessories			
	Mounting plate, for distribution connectors		
		black 890-624	50
		white 890-674	50
	Fixing pin, for mounting plates		
		② black 890-601	250
Dimensions			



WINSTA® MINI special Cable Assemblies, 4 x 1 mm²

	<p>PVC Control line: 4 x 1, gray</p> <p>400 V/6 kV/3 I_N 10 A</p> <p>Conductor ends, bonded: 9 mm</p> <p>① Approvals</p>																																
<p>Interconnecting cable, socket – plug</p>	<p>Length Item No. Item No. Item No.</p>																																
	<p>Coding B</p> <p>PVC</p> <table border="1"> <tr><td>1 m</td><td>891-8994/005-103</td><td>891-8994/005-105</td><td>891-8994/005-107</td></tr> <tr><td>2 m</td><td>891-8994/005-203</td><td>891-8994/005-205</td><td>891-8994/005-207</td></tr> <tr><td>3 m</td><td>891-8994/005-303</td><td>891-8994/005-305</td><td>891-8994/005-307</td></tr> <tr><td>4 m</td><td>891-8994/005-403</td><td>891-8994/005-405</td><td>891-8994/005-407</td></tr> <tr><td>5 m</td><td>891-8994/005-503</td><td>891-8994/005-505</td><td>891-8994/005-507</td></tr> <tr><td>6 m</td><td>891-8994/005-603</td><td>891-8994/005-605</td><td>891-8994/005-607</td></tr> <tr><td>7 m</td><td>891-8994/005-703</td><td>891-8994/005-705</td><td>891-8994/005-707</td></tr> <tr><td>8 m</td><td>891-8994/005-803</td><td>891-8994/005-805</td><td>891-8994/005-807</td></tr> </table>	1 m	891-8994/005-103	891-8994/005-105	891-8994/005-107	2 m	891-8994/005-203	891-8994/005-205	891-8994/005-207	3 m	891-8994/005-303	891-8994/005-305	891-8994/005-307	4 m	891-8994/005-403	891-8994/005-405	891-8994/005-407	5 m	891-8994/005-503	891-8994/005-505	891-8994/005-507	6 m	891-8994/005-603	891-8994/005-605	891-8994/005-607	7 m	891-8994/005-703	891-8994/005-705	891-8994/005-707	8 m	891-8994/005-803	891-8994/005-805	891-8994/005-807
1 m	891-8994/005-103	891-8994/005-105	891-8994/005-107																														
2 m	891-8994/005-203	891-8994/005-205	891-8994/005-207																														
3 m	891-8994/005-303	891-8994/005-305	891-8994/005-307																														
4 m	891-8994/005-403	891-8994/005-405	891-8994/005-407																														
5 m	891-8994/005-503	891-8994/005-505	891-8994/005-507																														
6 m	891-8994/005-603	891-8994/005-605	891-8994/005-607																														
7 m	891-8994/005-703	891-8994/005-705	891-8994/005-707																														
8 m	891-8994/005-803	891-8994/005-805	891-8994/005-807																														
<p>Connecting cable, socket – free end</p>	<p>Length Item No. Item No. Item No.</p>																																
	<p>Coding B</p> <p>PVC</p> <table border="1"> <tr><td>1 m</td><td>891-8994/105-103</td><td>891-8994/105-105</td><td>891-8994/105-107</td></tr> <tr><td>2 m</td><td>891-8994/105-203</td><td>891-8994/105-205</td><td>891-8994/105-207</td></tr> <tr><td>3 m</td><td>891-8994/105-303</td><td>891-8994/105-305</td><td>891-8994/105-307</td></tr> <tr><td>4 m</td><td>891-8994/105-403</td><td>891-8994/105-405</td><td>891-8994/105-407</td></tr> <tr><td>5 m</td><td>891-8994/105-503</td><td>891-8994/105-505</td><td>891-8994/105-507</td></tr> <tr><td>6 m</td><td>891-8994/105-603</td><td>891-8994/105-605</td><td>891-8994/105-607</td></tr> <tr><td>7 m</td><td>891-8994/105-703</td><td>891-8994/105-705</td><td>891-8994/105-707</td></tr> <tr><td>8 m</td><td>891-8994/105-803</td><td>891-8994/105-805</td><td>891-8994/105-807</td></tr> </table>	1 m	891-8994/105-103	891-8994/105-105	891-8994/105-107	2 m	891-8994/105-203	891-8994/105-205	891-8994/105-207	3 m	891-8994/105-303	891-8994/105-305	891-8994/105-307	4 m	891-8994/105-403	891-8994/105-405	891-8994/105-407	5 m	891-8994/105-503	891-8994/105-505	891-8994/105-507	6 m	891-8994/105-603	891-8994/105-605	891-8994/105-607	7 m	891-8994/105-703	891-8994/105-705	891-8994/105-707	8 m	891-8994/105-803	891-8994/105-805	891-8994/105-807
1 m	891-8994/105-103	891-8994/105-105	891-8994/105-107																														
2 m	891-8994/105-203	891-8994/105-205	891-8994/105-207																														
3 m	891-8994/105-303	891-8994/105-305	891-8994/105-307																														
4 m	891-8994/105-403	891-8994/105-405	891-8994/105-407																														
5 m	891-8994/105-503	891-8994/105-505	891-8994/105-507																														
6 m	891-8994/105-603	891-8994/105-605	891-8994/105-607																														
7 m	891-8994/105-703	891-8994/105-705	891-8994/105-707																														
8 m	891-8994/105-803	891-8994/105-805	891-8994/105-807																														
<p>Connecting cable, plug – free end</p>	<p>Length Item No. Item No. Item No.</p>																																
	<p>Coding B</p> <p>PVC</p> <table border="1"> <tr><td>1 m</td><td>891-8994/205-103</td><td>891-8994/205-105</td><td>891-8994/205-107</td></tr> <tr><td>2 m</td><td>891-8994/205-203</td><td>891-8994/205-205</td><td>891-8994/205-207</td></tr> <tr><td>3 m</td><td>891-8994/205-303</td><td>891-8994/205-305</td><td>891-8994/205-307</td></tr> <tr><td>4 m</td><td>891-8994/205-403</td><td>891-8994/205-405</td><td>891-8994/205-407</td></tr> <tr><td>5 m</td><td>891-8994/205-503</td><td>891-8994/205-505</td><td>891-8994/205-507</td></tr> <tr><td>6 m</td><td>891-8994/205-603</td><td>891-8994/205-605</td><td>891-8994/205-607</td></tr> <tr><td>7 m</td><td>891-8994/205-703</td><td>891-8994/205-705</td><td>891-8994/205-707</td></tr> <tr><td>8 m</td><td>891-8994/205-803</td><td>891-8994/205-805</td><td>891-8994/205-807</td></tr> </table>	1 m	891-8994/205-103	891-8994/205-105	891-8994/205-107	2 m	891-8994/205-203	891-8994/205-205	891-8994/205-207	3 m	891-8994/205-303	891-8994/205-305	891-8994/205-307	4 m	891-8994/205-403	891-8994/205-405	891-8994/205-407	5 m	891-8994/205-503	891-8994/205-505	891-8994/205-507	6 m	891-8994/205-603	891-8994/205-605	891-8994/205-607	7 m	891-8994/205-703	891-8994/205-705	891-8994/205-707	8 m	891-8994/205-803	891-8994/205-805	891-8994/205-807
1 m	891-8994/205-103	891-8994/205-105	891-8994/205-107																														
2 m	891-8994/205-203	891-8994/205-205	891-8994/205-207																														
3 m	891-8994/205-303	891-8994/205-305	891-8994/205-307																														
4 m	891-8994/205-403	891-8994/205-405	891-8994/205-407																														
5 m	891-8994/205-503	891-8994/205-505	891-8994/205-507																														
6 m	891-8994/205-603	891-8994/205-605	891-8994/205-607																														
7 m	891-8994/205-703	891-8994/205-705	891-8994/205-707																														
8 m	891-8994/205-803	891-8994/205-805	891-8994/205-807																														
<p>Info</p>	<p>Accessories</p>																																
<p>① For "International Certification Organizations" and "Approvals – User Guide," see pages 300 to 303. Marine approvals (GL, LR, NV) relate exclusively to cables approved for marine applications.</p> <p>② For 3-pole load I_N = 13 A! For 4-pole load I_N = 10 A! For other cables, please contact factory.</p> <p>● gray Coding B (1 2 3 4) ● light green Coding B (1 2 3 4) ● pink Coding B (1 2 3 4)</p> <p>For additional pole marking, see page 287.</p> <p>For coding information, see pages 284 to 286. Fire load data available upon request.</p>	<p>Locking lever, for "flying leads",</p> <table border="1"> <tr><td></td><td>tool operated</td><td></td><td></td></tr> <tr><td></td><td>black</td><td>890-111</td><td>100 (2x50)</td></tr> <tr><td></td><td>white</td><td>890-131</td><td>100 (2x50)</td></tr> </table> <p>Mounting carrier, for 2- to 5-pole "flying leads"</p> <table border="1"> <tr><td></td><td>black</td><td>890-310</td><td>100</td></tr> <tr><td></td><td>white</td><td>890-311</td><td>100</td></tr> </table>		tool operated				black	890-111	100 (2x50)		white	890-131	100 (2x50)		black	890-310	100		white	890-311	100												
	tool operated																																
	black	890-111	100 (2x50)																														
	white	890-131	100 (2x50)																														
	black	890-310	100																														
	white	890-311	100																														

		PVC Control line: 4 x 1.5, gray			
		400 V/6 kV/3 I _N 16 A ②			
		Conductor ends, bonded: 9 mm			
		① Approvals			
Interconnecting cable, socket – plug		Length	Item No.	Item No.	Item No.
		Coding B			
		PVC			
		1 m	891-8994/006-103	891-8994/006-105	891-8994/006-107
		2 m	891-8994/006-203	891-8994/006-205	891-8994/006-207
		3 m	891-8994/006-303	891-8994/006-305	891-8994/006-307
		4 m	891-8994/006-403	891-8994/006-405	891-8994/006-407
		5 m	891-8994/006-503	891-8994/006-505	891-8994/006-507
		6 m	891-8994/006-603	891-8994/006-605	891-8994/006-607
		7 m	891-8994/006-703	891-8994/006-705	891-8994/006-707
		8 m	891-8994/006-803	891-8994/006-805	891-8994/006-807
Connecting cable, socket – free end		Length	Item No.	Item No.	Item No.
		Coding B			
		PVC			
		1 m	891-8994/106-103	891-8994/106-105	891-8994/106-107
		2 m	891-8994/106-203	891-8994/106-205	891-8994/106-207
		3 m	891-8994/106-303	891-8994/106-305	891-8994/106-307
		4 m	891-8994/106-403	891-8994/106-405	891-8994/106-407
		5 m	891-8994/106-503	891-8994/106-505	891-8994/106-507
		6 m	891-8994/106-603	891-8994/106-605	891-8994/106-607
		7 m	891-8994/106-703	891-8994/106-705	891-8994/106-707
		8 m	891-8994/106-803	891-8994/106-805	891-8994/106-807
Connecting cable, plug – free end		Length	Item No.	Item No.	Item No.
		Coding B			
		PVC			
		1 m	891-8994/206-103	891-8994/206-105	891-8994/206-107
		2 m	891-8994/206-203	891-8994/206-205	891-8994/206-207
		3 m	891-8994/206-303	891-8994/206-305	891-8994/206-307
		4 m	891-8994/206-403	891-8994/206-405	891-8994/206-407
		5 m	891-8994/206-503	891-8994/206-505	891-8994/206-507
		6 m	891-8994/206-603	891-8994/206-605	891-8994/206-607
		7 m	891-8994/206-703	891-8994/206-705	891-8994/206-707
		8 m	891-8994/206-803	891-8994/206-805	891-8994/206-807

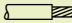
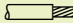
Item numbers overview for other cable lengths

Position	1 - 3	-	4	5	6	7	/	8	9	10	-	11	12	13
gray	891	-	8	9	9	4	/	0	0	6	-	1	0	3
light green	891	-	8	9	9	4	/	0	0	6	-	1	0	5
pink	891	-	8	9	9	4	/	0	0	6	-	1	0	7

The item numbers listed above correspond to the following cable version:
Interconnecting cable, 4-pole, socket – plug, PVC control line, 4 x 1.5 mm², 1 m long

The 9th position defines whether it is a PVC or halogen-free cable. For example, an halogen-free cable with pink connectors has the following item number: 891-8994/016-107.
The 10th position defines the cable cross-section. For example, a 4 x 1 mm² cable with light green connectors has the following item number: 891-8994/005-105.
The 11th position defines the cable length. For example, a 5-meter cable with gray connectors has the following item number: 891-8994/006-503.







WINSTA® MINI special Sockets and Plugs, 5-Pole

<p>0.25–1.5 mm² ❶ 400 V/6 kV/3 I_N 16 A ❸</p> <p> 9 mm / 0.35 in.</p> <p>❷ Approvals</p>	<p>22–16 AWG</p> <p>0.25–1.5 mm² ❶ 400 V/6 kV/3 I_N 16 A ❸</p> <p> 9 mm / 0.35 in.</p> <p>❷ Approvals</p>
--	---

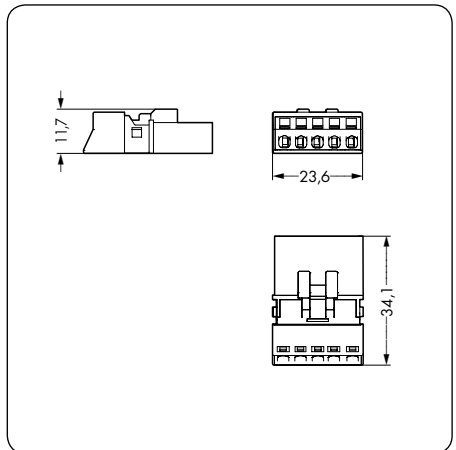
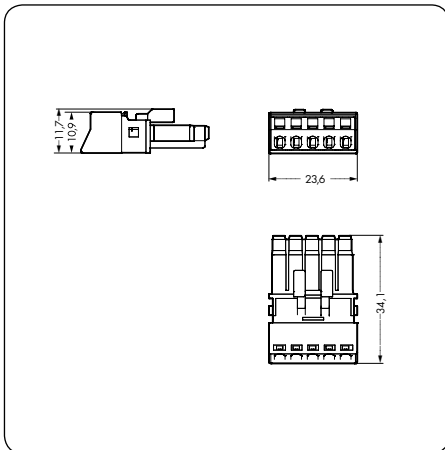
Note:

All connectors for fixed installations (snap-in versions for lighting fixtures, devices or all types of PCBs and distribution cabinets) are factory-equipped with locking levers to ensure plugs and sockets are securely locked. Additional locking levers are only required for “flying leads” (plug/socket).

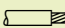
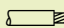


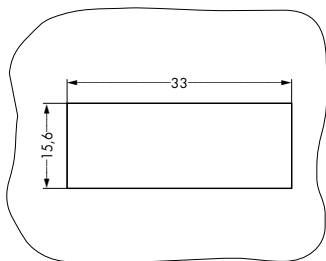
Description	Color	Item No.	Pack. Unit	Color	Item No.	Pack. Unit
Connectors, 5-pole, with CAGE CLAMP® S connection	Socket			Plug		
	gray	890-245	50	gray	890-255	50
	gray	890-245/060-000*	50	gray	890-255/060-000*	50
	gray	890-245/062-000*	50	gray	890-255/062-000*	50
	light green	890-265	50	light green	890-275	50
	light green	890-265/073-000*	50	light green	890-275/073-000*	50
	pink	890-285	50	pink	890-295	50
	pink	890-285/080-000*	50	pink	890-295/080-000*	50
	pink	890-285/082-000*	50	pink	890-295/082-000*	50
		* For pole marking, see page 287.			* For pole marking, see page 287.	
Item-Specific Accessories						
	Strain relief housing,  for 6.5–10.5 mm cable diameter			Strain relief housing,  for 6.5–10.5 mm cable diameter		
		black	890-505 50		black	890-505 50
		white	890-515 50		white	890-515 50
Accessories, 890 Series						
	Locking lever, for “flying leads”,  tool operated			Locking lever, for “flying leads”,  tool operated		
		black	890-111 100 (2 x 50)		black	890-111 100 (2 x 50)
		white	890-131 100 (2 x 50)		white	890-131 100 (2 x 50)
	Mounting carrier, for 2- to 5-pole “flying leads” 			Mounting carrier, for 2- to 5-pole “flying leads” 		
		black	890-310 100		black	890-310 100
		white	890-311 100		white	890-311 100
Info	Dimensions					

- ❶ Conductor sizes: 0.25–1.5 mm² “s + f-st”
0.25–1 mm² “stranded”
 - ❷ For “International Certification Organizations” and “Approvals – User Guide”, see pages 300 to 303.
 - ❸ For 3-pole load I_N = 13 A!
For 4- and 5-pole load I_N = 10 A!
- Standard printing (without suffix number)
- gray Coding B (1 2 3 4 5)
 - light green Coding B (1 2 3 4 5)
 - pink Coding B (1 2 3 4 5)
- For additional pole marking, see page 287.
- For coding information, see pages 284 to 286.
Fire load data available upon request.







WINSTA® MINI special Snap-In Sockets and Plugs, 5-Pole

Cutout dimensions Plate thickness: 0.5–2 mm Cutout tolerance: +0.1 mm	0.25–1.5 mm ² ① 400 V/6 kV/3 I _N 16 A ③	22–16 AWG	0.25–1.5 mm ² ① 400 V/6 kV/3 I _N 16 A ③	22–16 AWG
	 9 mm / 0.35 in. ② Approvals		 9 mm / 0.35 in. ② Approvals	

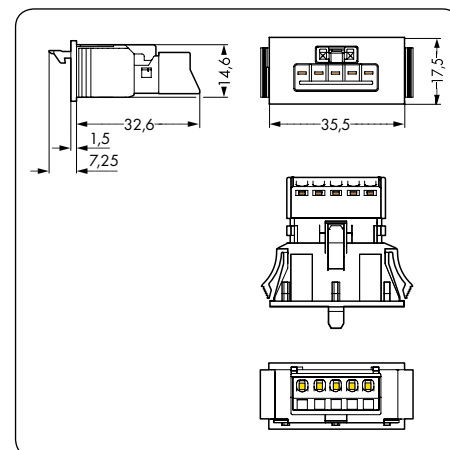
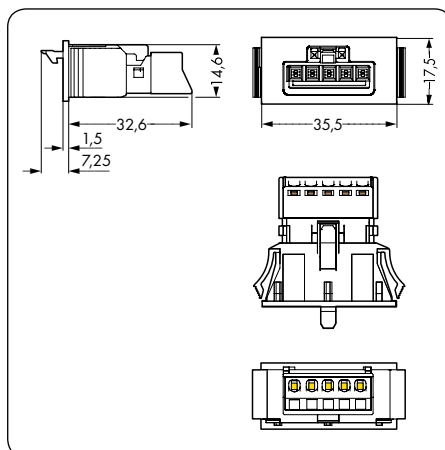


Description	Color	Item No.	Pack. Unit	Color	Item No.	Pack. Unit
Snap-in device connectors, 5-pole, with CAGE CLAMP® S connection	Socket			Plug		
	gray	890-745	50	gray	890-755	50
	gray	890-745/060-000*	50	gray	890-755/060-000*	50
	gray	890-745/062-000*	50	gray	890-755/062-000*	50
	light green	890-765	50	light green	890-775	50
	light green	890-765/073-000*	50	light green	890-775/073-000*	50
	pink	890-785	50	pink	890-795	50
	pink	890-785/080-000*	50	pink	890-795/080-000*	50
	pink	890-785/082-000*	50	pink	890-795/082-000*	50
		*For pole marking, see page 287.			*For pole marking, see page 287.	

Item-Specific Accessories	
Operating tool, partially insulated 5-way 	Operating tool, partially insulated 5-way 
890-385 1	890-385 1

Accessories, 890 Series	
Lockout cap, for cutout, 5-pole 	Lockout cap, for cutout, 5-pole 
black 770-643 100 white 770-693 100	black 770-643 100 white 770-693 100

Dimensions



WINSTA® MINI special Cable Assemblies, 5 x 1 mm²

		PVC Control line: 5 x 1, gray 400 V/6 kV/3 I_N 10 A Conductor ends, bonded: 9 mm ① Approvals																																			
Interconnecting cable, socket – plug		Length	Item No.	Item No.	Item No.																																
		Coding B PVC <table border="1"> <tr><td>1 m</td><td>891-8995/005-103</td><td>891-8995/005-105</td><td>891-8995/005-107</td></tr> <tr><td>2 m</td><td>891-8995/005-203</td><td>891-8995/005-205</td><td>891-8995/005-207</td></tr> <tr><td>3 m</td><td>891-8995/005-303</td><td>891-8995/005-305</td><td>891-8995/005-307</td></tr> <tr><td>4 m</td><td>891-8995/005-403</td><td>891-8995/005-405</td><td>891-8995/005-407</td></tr> <tr><td>5 m</td><td>891-8995/005-503</td><td>891-8995/005-505</td><td>891-8995/005-507</td></tr> <tr><td>6 m</td><td>891-8995/005-603</td><td>891-8995/005-605</td><td>891-8995/005-607</td></tr> <tr><td>7 m</td><td>891-8995/005-703</td><td>891-8995/005-705</td><td>891-8995/005-707</td></tr> <tr><td>8 m</td><td>891-8995/005-803</td><td>891-8995/005-805</td><td>891-8995/005-807</td></tr> </table>				1 m	891-8995/005-103	891-8995/005-105	891-8995/005-107	2 m	891-8995/005-203	891-8995/005-205	891-8995/005-207	3 m	891-8995/005-303	891-8995/005-305	891-8995/005-307	4 m	891-8995/005-403	891-8995/005-405	891-8995/005-407	5 m	891-8995/005-503	891-8995/005-505	891-8995/005-507	6 m	891-8995/005-603	891-8995/005-605	891-8995/005-607	7 m	891-8995/005-703	891-8995/005-705	891-8995/005-707	8 m	891-8995/005-803	891-8995/005-805	891-8995/005-807
1 m	891-8995/005-103	891-8995/005-105	891-8995/005-107																																		
2 m	891-8995/005-203	891-8995/005-205	891-8995/005-207																																		
3 m	891-8995/005-303	891-8995/005-305	891-8995/005-307																																		
4 m	891-8995/005-403	891-8995/005-405	891-8995/005-407																																		
5 m	891-8995/005-503	891-8995/005-505	891-8995/005-507																																		
6 m	891-8995/005-603	891-8995/005-605	891-8995/005-607																																		
7 m	891-8995/005-703	891-8995/005-705	891-8995/005-707																																		
8 m	891-8995/005-803	891-8995/005-805	891-8995/005-807																																		
Connecting cable, socket – free end		Length	Item No.	Item No.	Item No.																																
		Coding B PVC <table border="1"> <tr><td>1 m</td><td>891-8995/105-103</td><td>891-8995/105-105</td><td>891-8995/105-107</td></tr> <tr><td>2 m</td><td>891-8995/105-203</td><td>891-8995/105-205</td><td>891-8995/105-207</td></tr> <tr><td>3 m</td><td>891-8995/105-303</td><td>891-8995/105-305</td><td>891-8995/105-307</td></tr> <tr><td>4 m</td><td>891-8995/105-403</td><td>891-8995/105-405</td><td>891-8995/105-407</td></tr> <tr><td>5 m</td><td>891-8995/105-503</td><td>891-8995/105-505</td><td>891-8995/105-507</td></tr> <tr><td>6 m</td><td>891-8995/105-603</td><td>891-8995/105-605</td><td>891-8995/105-607</td></tr> <tr><td>7 m</td><td>891-8995/105-703</td><td>891-8995/105-705</td><td>891-8995/105-707</td></tr> <tr><td>8 m</td><td>891-8995/105-803</td><td>891-8995/105-805</td><td>891-8995/105-807</td></tr> </table>				1 m	891-8995/105-103	891-8995/105-105	891-8995/105-107	2 m	891-8995/105-203	891-8995/105-205	891-8995/105-207	3 m	891-8995/105-303	891-8995/105-305	891-8995/105-307	4 m	891-8995/105-403	891-8995/105-405	891-8995/105-407	5 m	891-8995/105-503	891-8995/105-505	891-8995/105-507	6 m	891-8995/105-603	891-8995/105-605	891-8995/105-607	7 m	891-8995/105-703	891-8995/105-705	891-8995/105-707	8 m	891-8995/105-803	891-8995/105-805	891-8995/105-807
1 m	891-8995/105-103	891-8995/105-105	891-8995/105-107																																		
2 m	891-8995/105-203	891-8995/105-205	891-8995/105-207																																		
3 m	891-8995/105-303	891-8995/105-305	891-8995/105-307																																		
4 m	891-8995/105-403	891-8995/105-405	891-8995/105-407																																		
5 m	891-8995/105-503	891-8995/105-505	891-8995/105-507																																		
6 m	891-8995/105-603	891-8995/105-605	891-8995/105-607																																		
7 m	891-8995/105-703	891-8995/105-705	891-8995/105-707																																		
8 m	891-8995/105-803	891-8995/105-805	891-8995/105-807																																		
Connecting cable, plug – free end		Length	Item No.	Item No.	Item No.																																
		Coding B PVC <table border="1"> <tr><td>1 m</td><td>891-8995/205-103</td><td>891-8995/205-105</td><td>891-8995/205-107</td></tr> <tr><td>2 m</td><td>891-8995/205-203</td><td>891-8995/205-205</td><td>891-8995/205-207</td></tr> <tr><td>3 m</td><td>891-8995/205-303</td><td>891-8995/205-305</td><td>891-8995/205-307</td></tr> <tr><td>4 m</td><td>891-8995/205-403</td><td>891-8995/205-405</td><td>891-8995/205-407</td></tr> <tr><td>5 m</td><td>891-8995/205-503</td><td>891-8995/205-505</td><td>891-8995/205-507</td></tr> <tr><td>6 m</td><td>891-8995/205-603</td><td>891-8995/205-605</td><td>891-8995/205-607</td></tr> <tr><td>7 m</td><td>891-8995/205-703</td><td>891-8995/205-705</td><td>891-8995/205-707</td></tr> <tr><td>8 m</td><td>891-8995/205-803</td><td>891-8995/205-805</td><td>891-8995/205-807</td></tr> </table>				1 m	891-8995/205-103	891-8995/205-105	891-8995/205-107	2 m	891-8995/205-203	891-8995/205-205	891-8995/205-207	3 m	891-8995/205-303	891-8995/205-305	891-8995/205-307	4 m	891-8995/205-403	891-8995/205-405	891-8995/205-407	5 m	891-8995/205-503	891-8995/205-505	891-8995/205-507	6 m	891-8995/205-603	891-8995/205-605	891-8995/205-607	7 m	891-8995/205-703	891-8995/205-705	891-8995/205-707	8 m	891-8995/205-803	891-8995/205-805	891-8995/205-807
1 m	891-8995/205-103	891-8995/205-105	891-8995/205-107																																		
2 m	891-8995/205-203	891-8995/205-205	891-8995/205-207																																		
3 m	891-8995/205-303	891-8995/205-305	891-8995/205-307																																		
4 m	891-8995/205-403	891-8995/205-405	891-8995/205-407																																		
5 m	891-8995/205-503	891-8995/205-505	891-8995/205-507																																		
6 m	891-8995/205-603	891-8995/205-605	891-8995/205-607																																		
7 m	891-8995/205-703	891-8995/205-705	891-8995/205-707																																		
8 m	891-8995/205-803	891-8995/205-805	891-8995/205-807																																		
Info		Accessories																																			
<p>① For "International Certification Organizations" and "Approvals – User Guide", see pages 300 to 303. Marine approvals (GL, LR, NV) relate exclusively to cables approved for marine applications.</p> <p>② For 3-pole load I_N = 13 A! For 4- and 5-pole load I_N = 10 A! For other cables, please contact factory.</p> <p>● gray Coding B (1 2 3 4 5) ● light green Coding B (1 2 3 4 5) ● pink Coding B (1 2 3 4 5)</p> <p>For additional pole marking, see page 287.</p> <p>For coding information, see pages 284 to 286. Fire load data available upon request.</p>		<p>Locking lever, for "flying leads",</p> <table border="1"> <tr><td></td><td>tool operated</td><td></td><td></td></tr> <tr><td></td><td>black</td><td>890-111</td><td>100 (2x50)</td></tr> <tr><td></td><td>white</td><td>890-131</td><td>100 (2x50)</td></tr> </table> <p>Mounting carrier, for 2- to 5-pole "flying leads"</p> <table border="1"> <tr><td></td><td>black</td><td>890-310</td><td>100</td></tr> <tr><td></td><td>white</td><td>890-311</td><td>100</td></tr> </table>					tool operated				black	890-111	100 (2x50)		white	890-131	100 (2x50)		black	890-310	100		white	890-311	100												
	tool operated																																				
	black	890-111	100 (2x50)																																		
	white	890-131	100 (2x50)																																		
	black	890-310	100																																		
	white	890-311	100																																		

		PVC Control line: 5 x 1.5, gray			
		400 V/6 kV/3 I _N 16 A ②			
		Conductor ends, bonded: 9 mm			
		① Approvals			
Interconnecting cable, socket – plug		Length	Item No.	Item No.	Item No.
		Coding B			
		PVC			
		1 m	891-8995/006-103	891-8995/006-105	891-8995/006-107
		2 m	891-8995/006-203	891-8995/006-205	891-8995/006-207
		3 m	891-8995/006-303	891-8995/006-305	891-8995/006-307
		4 m	891-8995/006-403	891-8995/006-405	891-8995/006-407
		5 m	891-8995/006-503	891-8995/006-505	891-8995/006-507
		6 m	891-8995/006-603	891-8995/006-605	891-8995/006-607
		7 m	891-8995/006-703	891-8995/006-705	891-8995/006-707
		8 m	891-8995/006-803	891-8995/006-805	891-8995/006-807
Connecting cable, socket – free end		Length	Item No.	Item No.	Item No.
		Coding B			
		PVC			
		1 m	891-8995/106-103	891-8995/106-105	891-8995/106-107
		2 m	891-8995/106-203	891-8995/106-205	891-8995/106-207
		3 m	891-8995/106-303	891-8995/106-305	891-8995/106-307
		4 m	891-8995/106-403	891-8995/106-405	891-8995/106-407
		5 m	891-8995/106-503	891-8995/106-505	891-8995/106-507
		6 m	891-8995/106-603	891-8995/106-605	891-8995/106-607
		7 m	891-8995/106-703	891-8995/106-705	891-8995/106-707
		8 m	891-8995/106-803	891-8995/106-805	891-8995/106-807
Connecting cable, plug – free end		Length	Item No.	Item No.	Item No.
		Coding B			
		PVC			
		1 m	891-8995/206-103	891-8995/206-105	891-8995/206-107
		2 m	891-8995/206-203	891-8995/206-205	891-8995/206-207
		3 m	891-8995/206-303	891-8995/206-305	891-8995/206-307
		4 m	891-8995/206-403	891-8995/206-405	891-8995/206-407
		5 m	891-8995/206-503	891-8995/206-505	891-8995/206-507
		6 m	891-8995/206-603	891-8995/206-605	891-8995/206-607
		7 m	891-8995/206-703	891-8995/206-705	891-8995/206-707
		8 m	891-8995/206-803	891-8995/206-805	891-8995/206-807

Item numbers overview for other cable lengths

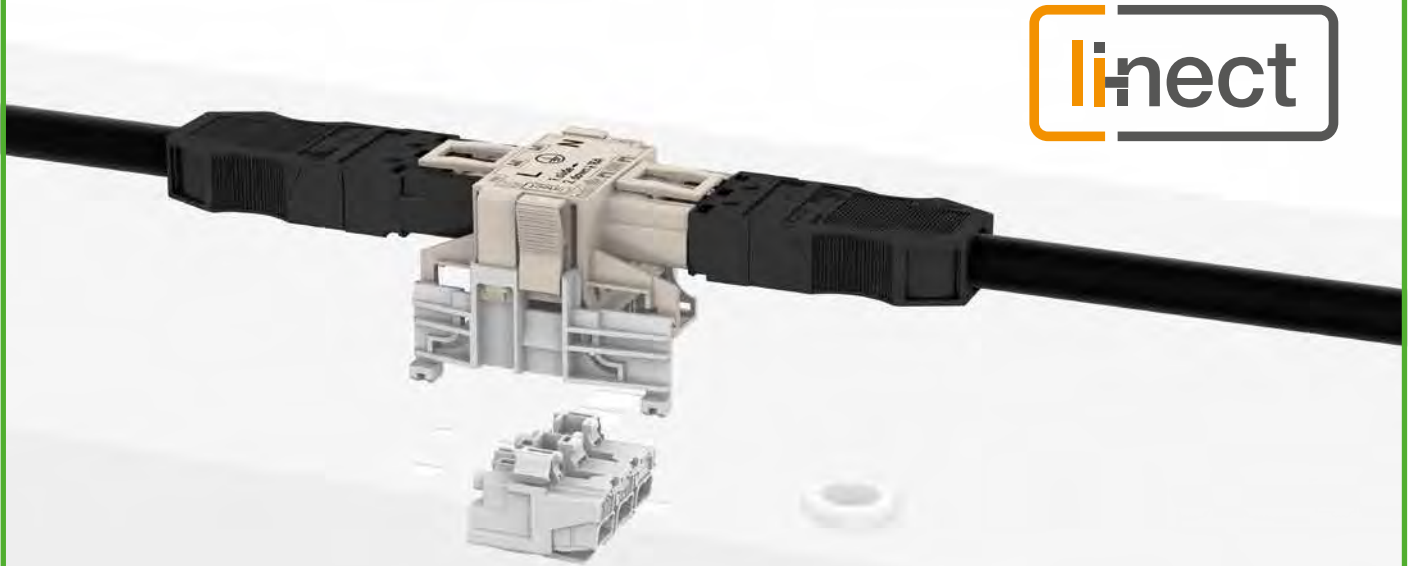
Position	1 - 3	-	4	5	6	7	/	8	9	10	-	11	12	13
gray	891	-	8	9	9	5	/	0	0	6	-	1	0	3
light green	891	-	8	9	9	5	/	0	0	6	-	1	0	5
pink	891	-	8	9	9	5	/	0	0	6	-	1	0	7

The item numbers listed above correspond to the following cable version:
Interconnecting cable, 5-pole, socket – plug, PVC control line, 5 x 1.5 mm², 1 m long

The 9th position defines whether it is a PVC or halogen-free cable. For example, an halogen-free cable with pink connectors has the following item number: 891-8995/016-107.

The 10th position defines the cable cross-section. For example, a 5 x 1 mm² cable with light green connectors has the following item number: 891-8995/005-105.

The 11th position defines the cable length. For example, a 5-meter cable with gray connectors has the following item number: 891-8995/006-503.



3

- Note:**
- Installation connectors are designed for connection and disconnection while not under load.
 - There is no hazard-inducing interchangeability with other systems based on IEC 60309, IEC 60320, IEC 60906 and with national connector and socket systems.
 - Compliance with the standards (IEC 61535) does not guarantee hazard-preventing, non-interchangeability with installation connector systems from various manufacturers.
 - Installation connector systems are not a substitute for residential connector/socket systems.
- WINSTA® MIDI connectors are not suitable for easy-to-reach areas, except IP 2XD compliant specialty products (see pages 116 to 119).



770 Series	
Linect® T-Connectors, 2-Pole	80, 86
Linect® T-Connectors, 3-Pole	80, 104
Linect® T-Connectors, 4-Pole	81, 128
Linect® T-Connectors, 5-Pole	81, 142



770 Series	
Connectors, 2-Pole	82 - 83
Connectors, 3-Pole	94 - 95, 100 - 101
Connectors, 4-Pole	120 - 121
Connectors, 5-Pole	132 - 135



770 Series	
Strain Relief Housings, 2-Pole	84
Strain Relief Housings, 3-Pole	96 - 97
Strain Relief Housings, 4-Pole	122
Strain Relief Housings, 5-Pole	136 - 137
Strain Relief Housings, 6-Pole and 7-Pole	158 - 159



770 Series	
Snap-In Device Connectors, 2-Pole	85
Snap-In Device Connectors, 3-Pole	98 - 99
Snap-In Device Connectors, 4-Pole	124 - 125
Snap-In Device Connectors, 5-Pole	138 - 139



770 Series	
PCB Connectors, 3-Pole	102 - 103
PCB Connectors, 4-Pole	126 - 127
PCB Connectors, 5-Pole	140 - 141



770 Series	
Distribution Connectors, 2-Pole	87
Intermediate Couplers and T-Distribution Connectors, 3-Pole	104 - 108
Distribution Connectors, 4-Pole	128 - 129
Intermediate Couplers and T-Distribution Connectors, 5-Pole	142 - 146



771 Series	
Cable Assemblies, 2-Pole	88 - 92
Cable Assemblies, 3-Pole	110 - 117
Cable Assemblies, 4-Pole	130
Cable Assemblies, 5-Pole	147 - 156



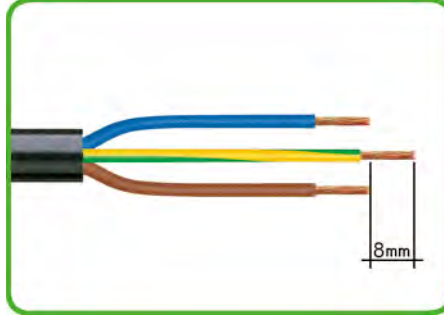
770/771 Series	
Strain Relief Housings, IP 2XD, 3-Pole	117
Cable Assemblies, IP 2XD, 3-Pole	118 - 119

WINSTA® MIDI, 770 Series Handling:

Preparation

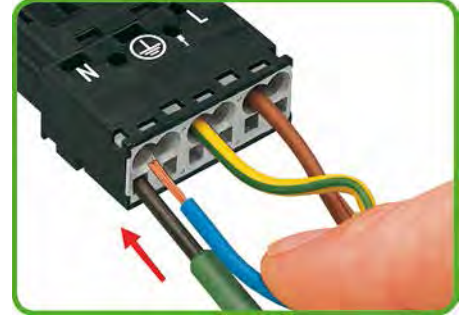


We recommend pulling the pre-latched strain relief housing over the cable prior to termination. However, the strain relief can be mounted at a later time as well.



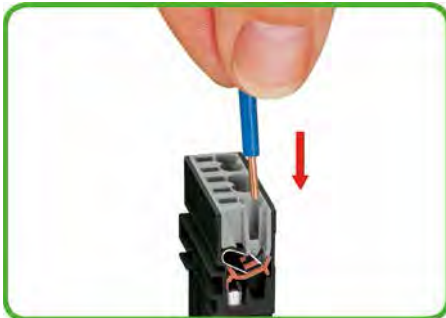
1. Strip length, outer insulation = x mm ^①
2. Strip length: = 9 mm
3. Extended ground conductor = 8 mm

Termination via CAGE CLAMP® S



To terminate fine-stranded conductors, open clamping unit via 2.5 mm screwdriver and insert stripped conductor until it hits backstop.

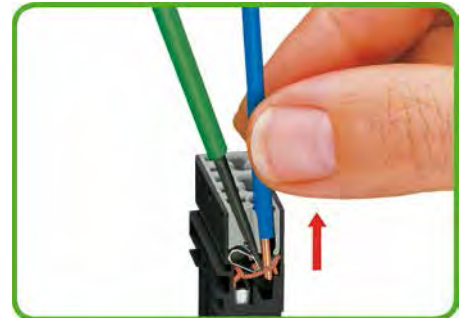
Termination via CAGE CLAMP® S



Insert stripped solid conductor until it hits backstop.



To terminate fine-stranded conductors, open clamping unit via 2.5 mm screwdriver and insert stripped conductor until it hits backstop.



To remove the conductor, actuate the clamp via 2.5 mm screwdriver and pull out the conductor.

Strain relief installation



Latch the strain relief housing on the plug/socket. Note the "TOP" inscription.



Prepare strain relief housing by snapping together upper and bottom part.



Tighten strain relief screw using a 2.5 mm screwdriver.

Variable coding



Simply cut off the coding pin from the socket.



Insert coding pin into plug (break first) until it engages.

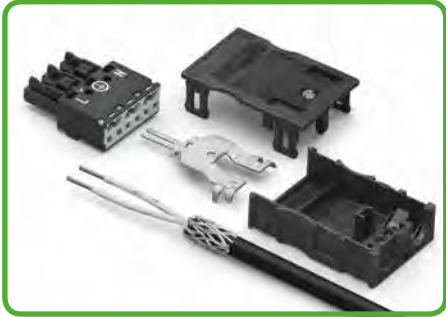
Marking



Marking strain relief housing via WSB quick marking system.

① Strip length, outer insulation: 2-pole = 35 mm, 3- to 5-pole = 55 mm

Shield termination



Connector with shield termination



Apply the shield to the rubber cable.
Strip length, outer insulation = 55 mm
Shield length = 10 mm



Push the shield connecting plate into the connector until fully inserted.

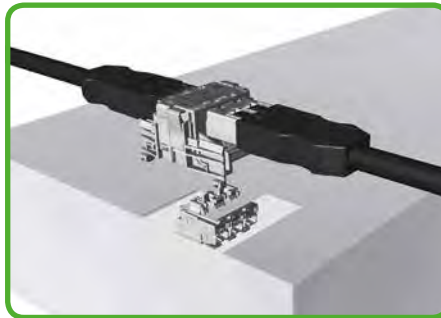


First insert the wired connector into the strain relief housing, then snap the cover and tighten the screw.



the light connection system

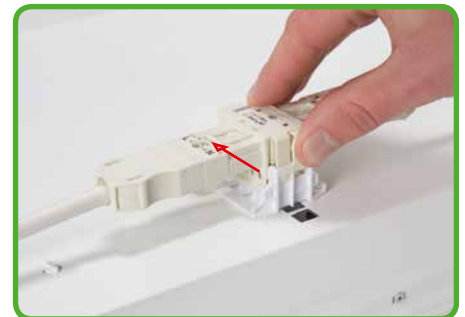
Three easy steps to error-free connections:



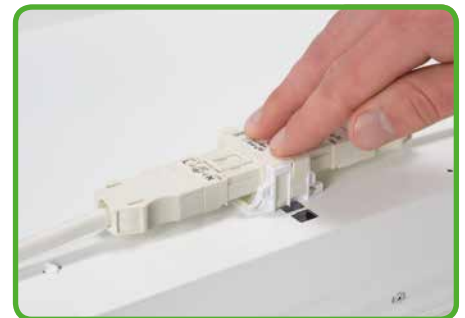
Connecting a T-connector to a 294 Series lighting connector.



Align the T-connector with the square cutouts.

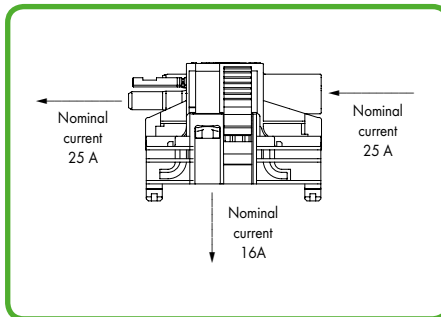


Move the T-connector toward the square cutouts until it is locked in position.



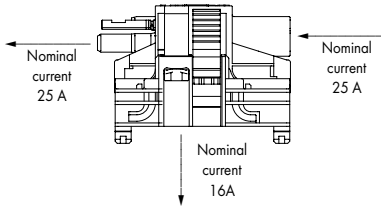
Push down until fully engaged – done!

Nominal current








WINSTA® MIDI Linect® T-Connectors, 2- and 3-Pole

	<p>250 V/4 kV/3 I_N 25 A (16 A) ❶</p> <p>❷ Approvals</p>	<p>250 V/4 kV/3 I_N 25 A (16 A) ❶</p> <p>❷ Approvals</p>
--	--	--



❶ Nominal current

Description	Color	Item No.	Pack. Unit	Color	Item No.	Pack. Unit
Linect® T-connector	Linect® T-connector, 2-pole, socket - plug, white housing			Linect® T-connector, 3-pole, socket - plug, white housing, white cover		
	for DAU applications, blue cover					
	● blue	770-7102	20	○ white	770-6223	25
	Suitable for 294-8032 Lighting Connector			Suitable for 294-8013 and 294-8113 Lighting Connectors		
for emergency power, dark gray cover						
	● dark gray	770-7502	20			
Suitable for 294-8022 Lighting Connector						

Item-Specific Accessories						
			Lockout cap, for socket, separable, 12-pole		Lockout cap, for socket, separable, 12-pole	
				black 770-201 100		black 770-201 100
				white 770-221 100		white 770-221 100
			Lockout cap, for plug, separable, 5-pole		Lockout cap, for plug, separable, 5-pole	
				yellow 770-360 100		yellow 770-360 100
					Coding pin, for plug (A and B coding)	
						gray 770-401 100
Info			Dimensions			

❷ For "International Certification Organizations" and "Approvals – User Guide", see pages 300 to 303.

2-pole

- blue Coding I (DA- DA+)
- dark gray Coding L (L' N')

3-pole

- white Coding A (L ⊕ N)

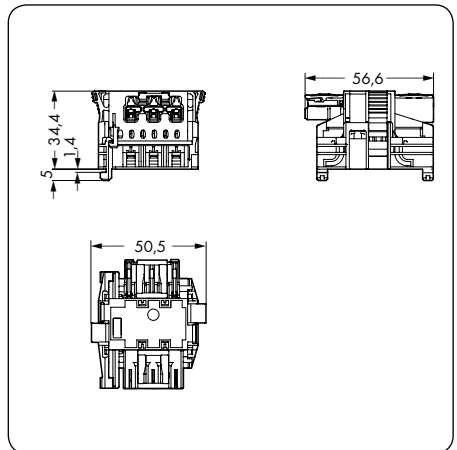
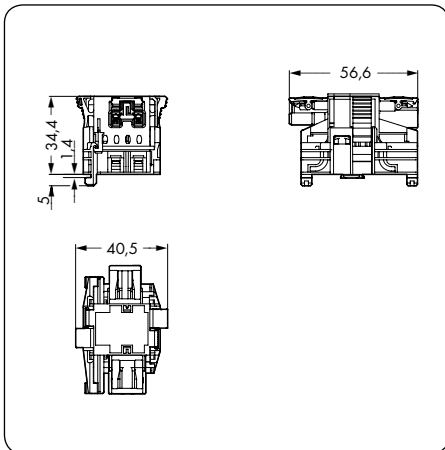
4-pole

- white Coding A (N ⊕ 2/L 1/L')

5-pole

- white Coding A (N ⊕ L1 L2 L3)
- blue Coding I (N ⊕ L DA- DA+)
- dark gray Coding L (N ⊕ L N' L')

For coding information, see pages 284 to 286.
Fire load data available upon request.



WINSTA® MIDI Linect® T-Connectors, 4- and 5-Pole










<p>400 V/6 kV/3 I_N 25 A (16 A) ①</p> <p>② Approvals</p>	<p>400 V/6 kV/3 I_N 25 A (16 A) ①</p> <p>② Approvals</p>	<p>400 V/6 kV/3 I_N 25 A (16 A) ①</p> <p>② Approvals</p>
--	--	--

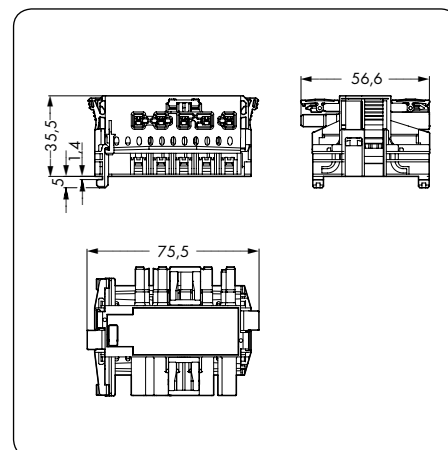
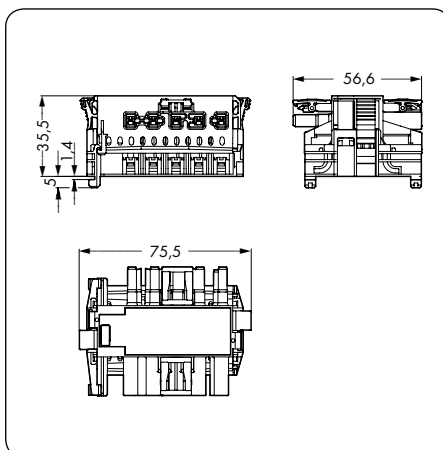
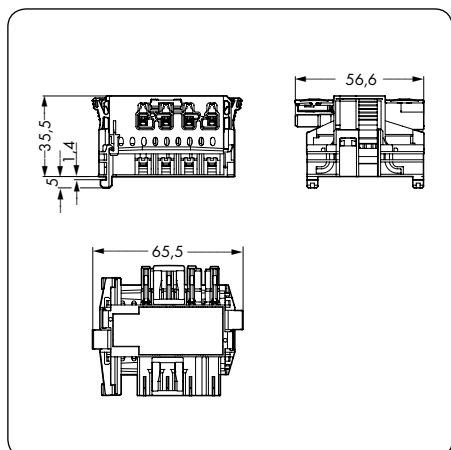


Color	Item No.	Pack. Unit	Color	Item No.	Pack. Unit	Color	Item No.	Pack. Unit
Linect® T-connector, 4-pole, socket - plug, white housing, white cover			Linect® T-connector, 5-pole, socket - plug, white housing			Linect® T-connector, 5-pole, socket - plug, white housing		
○ white	770-6224	25	○ white	770-6225	25	● blue	770-7105	20
Suitable for 294-8024 and 294-8124 lighting connectors			Suitable for 294-8015 and 294-8115 Lighting Connectors			for DALI applications, blue cover Suitable for 294-8035 and 294-8135 lighting connectors		
						for emergency power, dark gray cover ● dark gray 770-7505 20 Suitable for 294-8025 and 294-8125 Lighting Connectors		

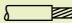
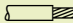
Item-Specific Accessories

<p>Lockout cap, for socket, separable, 12-pole</p>  <p>black 770-201 100 white 770-221 100</p>	<p>Lockout cap, for socket, separable, 12-pole</p>  <p>black 770-201 100 white 770-221 100</p>	<p>Lockout cap, for socket, separable, 12-pole</p>  <p>black 770-201 100 white 770-221 100</p>
<p>Lockout cap, for plug, separable, 5-pole</p>  <p>yellow 770-360 100</p>	<p>Lockout cap, for plug, separable, 5-pole</p>  <p>yellow 770-360 100</p>	<p>Lockout cap, for plug, separable, 5-pole</p>  <p>yellow 770-360 100</p>
<p>Coding pin, for plug (A and B coding)</p>  <p>gray 770-401 100</p>		

Dimensions









WINSTA® MIDI Sockets and Plugs, 2-Pole

<p>2 x 0.5–4 mm² ① 250 V/4 kV/3 I_N 25 A</p> <p> 9 mm / 0.35 in. ② Approvals</p>	<p>2 x 20–12 AWG 250 V/4 kV/3 I_N 25 A</p> <p> 9 mm / 0.35 in. ② Approvals</p>
--	---



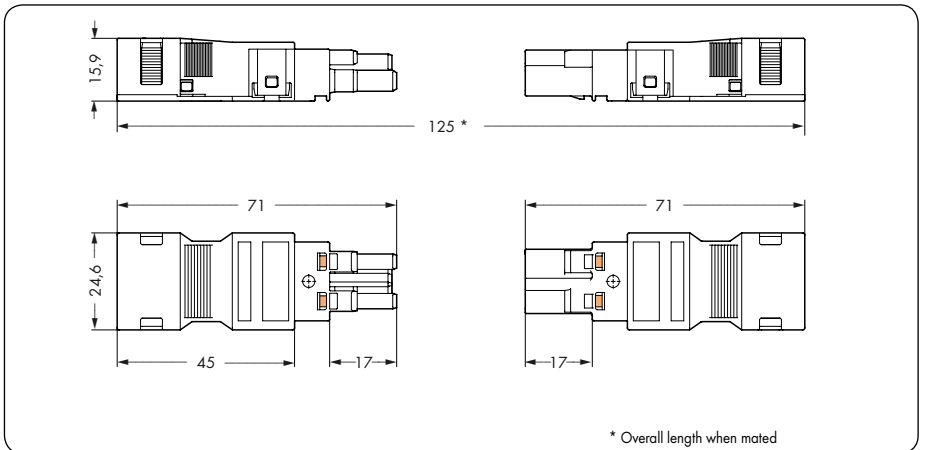
Description	Color	Item No.	Pack. Unit	Color	Item No.	Pack. Unit
Connectors, 2-pole, with CAGE CLAMP® S connection	Socket with strain relief housing, for 1 cable, 7–10.5 mm diameter ③			Plug with strain relief housing, for 1 cable, 7–10.5 mm diameter ③		
	● black	770-102/041-000	25	● black	770-112/041-000	25
	○ white	770-122/041-000	25	○ white	770-132/041-000	25

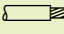
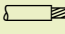
Item-Specific Accessories						
	Lockout cap, for socket, separable, 12-pole			Lockout cap, for plug, separable, 5-pole		
		black 770-201 100 white 770-221 100			yellow 770-360 100	
	Operating tool, partially insulated 2-way			Operating tool, partially insulated 2-way		
		770-382 1			770-382 1	

Accessories, 770 Series						
	Locking lever, for “flying leads”, manually operated			Locking lever, for “flying leads”, tool operated		
		black 770-101 100 (4x25) white 770-121 100 (4x25)			black 770-111 100 (4x25) white 770-131 100 (4x25)	

Info	Dimensions
------	------------

- ① Conductor sizes: 0.5–4 mm² “s + f-st”
0.5–2.5 mm² “stranded”
 - ② For “International Certification Organizations” and
“Approvals – User Guide”,
see pages 300 to 303.
 - ③ For more strain relief housings, see page 84.
- | | | |
|-------------|----------|-----------|
| ● black | Coding A | (L N) |
| ○ white | Coding A | (L N) |
| ● blue | Coding I | (DA+ DA-) |
| ● dark gray | Coding L | (L' N') |
- For coding information, see pages 284 to 286.
Fire load data available upon request.



2 x 0.5–4 mm ² ① 250 V/4 kV/3 I _N 25 A  9 mm / 0.35 in. ② Approvals	2 x 20–12 AWG ② Approvals	2 x 0.5–4 mm ² ① 250 V/4 kV/3 I _N 25 A  9 mm / 0.35 in. ② Approvals	2 x 20–12 AWG ② Approvals
--	----------------------------------	--	----------------------------------







Notice:

All connectors for fixed installations (snap-in versions for lighting fixtures, devices or all types of PCBs and distribution cabinets) are factory-equipped with locking levers to ensure plugs and sockets are securely locked. Additional locking levers are only required for “flying leads” (plug/socket).

Color	Item No.	Pack. Unit	Color	Item No.	Pack. Unit
Socket without strain relief housing			Plug without strain relief housing		
● black	770-202	100	● black	770-212	100
○ white	770-222	100	○ white	770-232	100
● blue	770-1102	100	● blue	770-1112	100
● dark gray	770-1162	100	● dark gray	770-1172	100





Snap on locking lever. Observe direction!
(Example shows 3-pole plug)

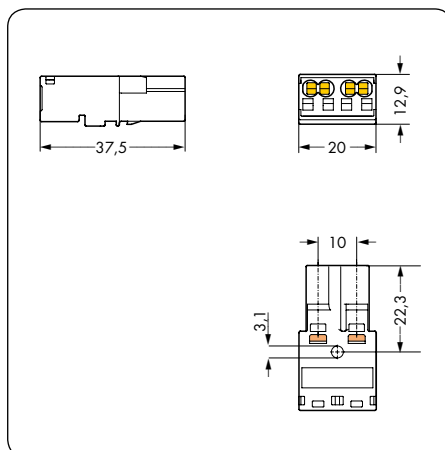
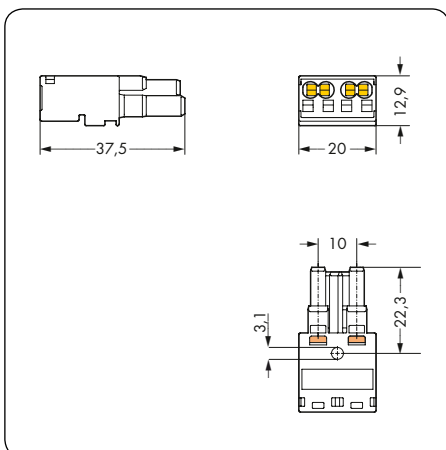
Item-Specific Accessories					
Lockout cap, for socket, separable, 12-pole			Lockout cap, for plug, separable, 5-pole		
	black 770-201	100		yellow 770-360	100
	white 770-221	100			
Operating tool, partially insulated			Operating tool, partially insulated		
	2-way			2-way	
	770-382	1		770-382	1



Locking lever, manually operated:
1.) Press on locking lever.
2.) Pull apart the connectors.
(Example shows 3-pole connectors)

Accessories, 770 Series					
Locking lever, for “flying leads”, manually operated			Locking lever, for “flying leads”, tool operated		
	black 770-101	100 (4x25)		black 770-111	100 (4x25)
	white 770-121	100 (4x25)		white 770-131	100 (4x25)

Dimensions					
------------	--	--	--	--	--



Locking lever, tool operated:
1.) Unlatch locking lever.
2.) Pull apart the connectors.
(Example shows 3-pole connectors)



WINSTA® MIDI

Strain Relief Housings, 2-Pole, for Different Cable Diameters

	Snap-on type strain relief housings for: - 2-pole sockets - 2-pole plugs 1 Approvals	Snap-on type strain relief housings for: - 2-pole sockets - 2-pole plugs 1 Approvals
--	--	--



Description	Color	Item No.	Pack. Unit	Color	Item No.	Pack. Unit
Strain relief housing	Strain relief housing, for 1 cable, 5-9 mm diameter 2			Strain relief housing, for 1 cable, 7-10.5 mm diameter 2		
	black	770-502/042-000	50	black	770-502/041-000	50
	white	770-512/042-000	50	white	770-512/041-000	50

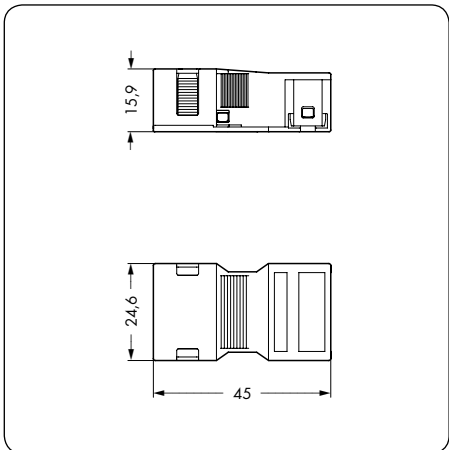
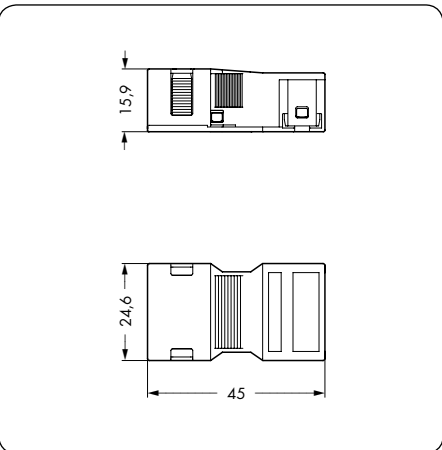
Item-Specific Accessories						
	Marking strip, self-adhesive, on DIN A4 carrier card, 182 mm long  Strip height: 6 mm 210-333 100 Marking area: 20 x 6.5 mm			Marking strip, self-adhesive, on DIN A4 carrier card, 182 mm long  Strip height: 6 mm 210-333 100 Marking area: 20 x 6.5 mm		

Info	Dimensions
------	------------

1 For "International Certification Organizations" and "Approvals – User Guide", see pages 300 to 303.

2 For H05VV and NYM cables
For other cables, please contact factory.

For coding information, see pages 284 to 286.
Fire load data available upon request.



WINSTA® MIDI Linect® T-Connectors, 2-Pole

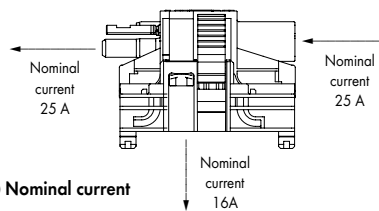


250 V/4 kV/3
I_N 25 A (16 A) ④

① Approvals



Description	Color	Item No.	Pack. Unit
		Linect® T-connector , 2-pole, socket - plug, white housing	
		for DALL applications, blue cover	
	● blue	770-7102	20
		Suitable for 294-8032 Lighting Connector	
		for emergency power, dark gray cover	
	● dark gray	770-7502	20
		Suitable for 294-8022 Lighting Connector	
Item-Specific Accessories			
		Lockout cap , for socket, separable, 12-pole	
		black 770-201	100
		white 770-221	100
		Lockout cap , for plug, separable, 5-pole	
		yellow 770-360	100
Info	Dimensions		



① For "International Certification Organizations" and "Approvals – User Guide", see pages 300 to 303.

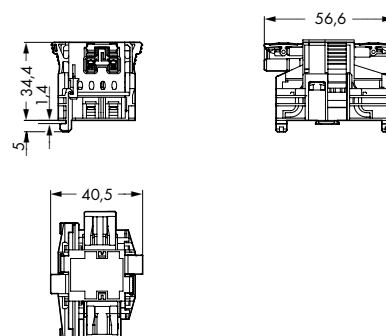
② 5.0 mm Ø, 0.2–1.2 mm plate thickness

③ 6.0 mm Ø, 1–2.5 mm plate thickness

● black	Coding A	(L N)
○ white	Coding A	(L N)
● blue	Coding I	(DA- DA+)
● dark gray	Coding L	(L' N')

For coding information, see pages 284 to 286.

Fire load data available upon request.








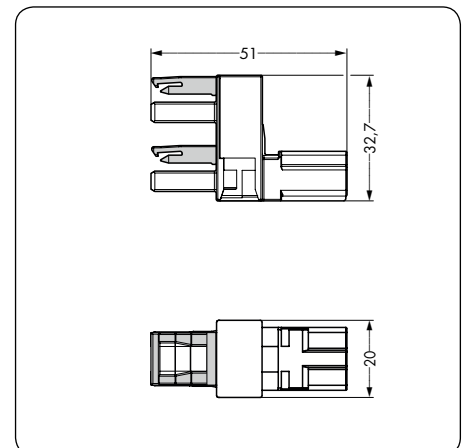
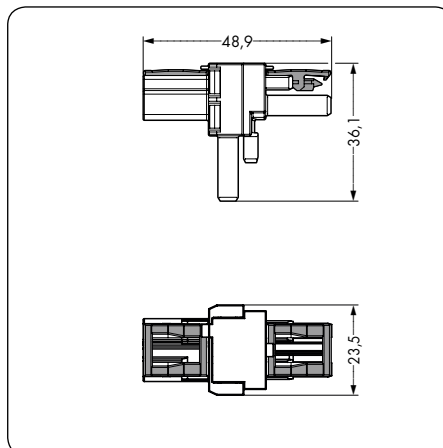
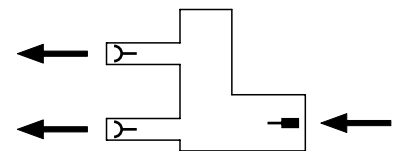
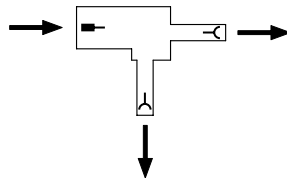
WINSTA® MIDI T-Distribution Connectors, 2-Pole

	250 V/4 kV/3 I_N 25 A ① Approvals	250 V/4 kV/3 I_N 25 A ① Approvals
--	---	---



Description	Color	Item No.	Pack. Unit	Color	Item No.	Pack. Unit
T-distribution connector, 2-pole	T-distribution connector, 1 x plug/2 x socket			h-distribution connector, unidirectional, plug/socket - socket		
	● black	770-1606	50	● black	770-1634	50
	○ white	770-1656	50	○ white	770-1684	50
	for "flying leads", with 3rd locking lever			for "flying leads", with 3rd locking lever		
	● black	770-1615	50	● black	770-1636	50
	○ white	770-1665	50	○ white	770-1686	50

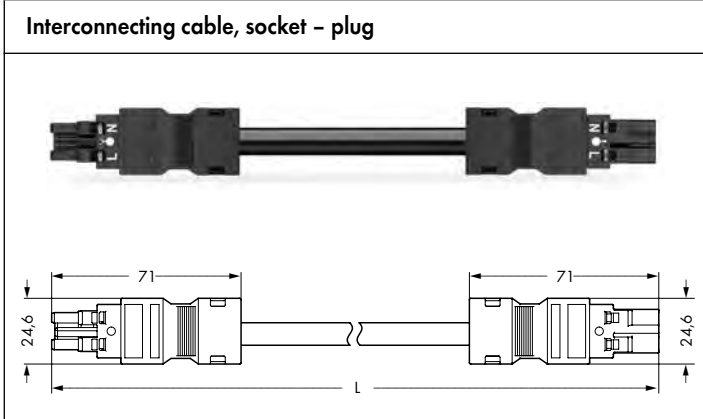
Item-Specific Accessories						
	Lockout cap, for socket, separable, 12-pole  black 770-201 100 white 770-221 100			Mounting plate, for distribution connectors  black 770-1626 25 white 770-1627 25		
	Lockout cap, for plug, separable, 5-pole  yellow 770-360 100			Fixing pin, for mounting plates  ② black 890-601 250 ③ black 770-601 250		
				Lockout cap, for socket, separable, 12-pole  black 770-201 100 white 770-221 100		
Dimensions						



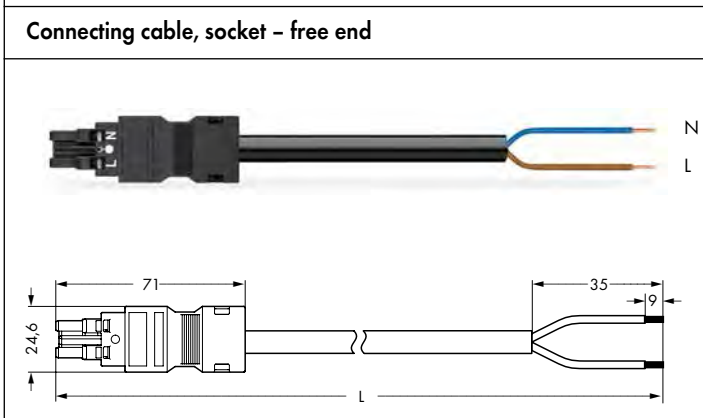
WINSTA® – perfectly plugged!

WINSTA® MIDI Cable Assemblies 2 x 1.5 mm²

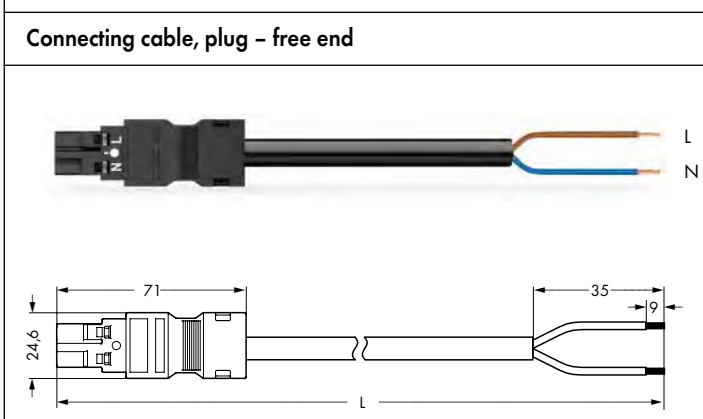
PVC	H05VV-F 2x1.5
halogen-free	H05Z1Z1-F 2x1.5
250 V/4 kV/3	I _N 16 A
Conductor ends, bonded: 9 mm	
① Approvals	



Length	Item No. black	Item No. white	Item No. black	Item No. white
● ○ Coding A				
PVC		halogen-free		
1 m	771-8992/006-101	771-8992/006-102	771-8992/016-101	771-8992/016-102
2 m	771-8992/006-201	771-8992/006-202	771-8992/016-201	771-8992/016-202
3 m	771-8992/006-301	771-8992/006-302	771-8992/016-301	771-8992/016-302
4 m	771-8992/006-401	771-8992/006-402	771-8992/016-401	771-8992/016-402
5 m	771-8992/006-501	771-8992/006-502	771-8992/016-501	771-8992/016-502
6 m	771-8992/006-601	771-8992/006-602	771-8992/016-601	771-8992/016-602
7 m	771-8992/006-701	771-8992/006-702	771-8992/016-701	771-8992/016-702
8 m	771-8992/006-801	771-8992/006-802	771-8992/016-801	771-8992/016-802



Length	Item No. black	Item No. white	Item No. black	Item No. white
● ○ Coding A				
PVC		halogen-free		
1 m	771-8992/106-101	771-8992/106-102	771-8992/116-101	771-8992/116-102
2 m	771-8992/106-201	771-8992/106-202	771-8992/116-201	771-8992/116-202
3 m	771-8992/106-301	771-8992/106-302	771-8992/116-301	771-8992/116-302
4 m	771-8992/106-401	771-8992/106-402	771-8992/116-401	771-8992/116-402
5 m	771-8992/106-501	771-8992/106-502	771-8992/116-501	771-8992/116-502
6 m	771-8992/106-601	771-8992/106-602	771-8992/116-601	771-8992/116-602
7 m	771-8992/106-701	771-8992/106-702	771-8992/116-701	771-8992/116-702
8 m	771-8992/106-801	771-8992/106-802	771-8992/116-801	771-8992/116-802



Length	Item No. black	Item No. white	Item No. black	Item No. white
● ○ Coding A				
PVC		halogen-free		
1 m	771-8992/206-101	771-8992/206-102	771-8992/216-101	771-8992/216-102
2 m	771-8992/206-201	771-8992/206-202	771-8992/216-201	771-8992/216-202
3 m	771-8992/206-301	771-8992/206-302	771-8992/216-301	771-8992/216-302
4 m	771-8992/206-401	771-8992/206-402	771-8992/216-401	771-8992/216-402
5 m	771-8992/206-501	771-8992/206-502	771-8992/216-501	771-8992/216-502
6 m	771-8992/206-601	771-8992/206-602	771-8992/216-601	771-8992/216-602
7 m	771-8992/206-701	771-8992/206-702	771-8992/216-701	771-8992/216-702
8 m	771-8992/206-801	771-8992/206-802	771-8992/216-801	771-8992/216-802

Info

① For "International Certification Organizations" and "Approvals – User Guide", see pages 300 to 303. Marine approvals (GL, LR, NV) relate exclusively to cables approved for marine applications.

For other cables, please contact factory.

● black	Coding A	(L N)
○ white	Coding A	(L N)
● blue	Coding I	(DA+ DA-)

For coding information, see pages 284 to 286.
Fire load data available upon request.

Accessories

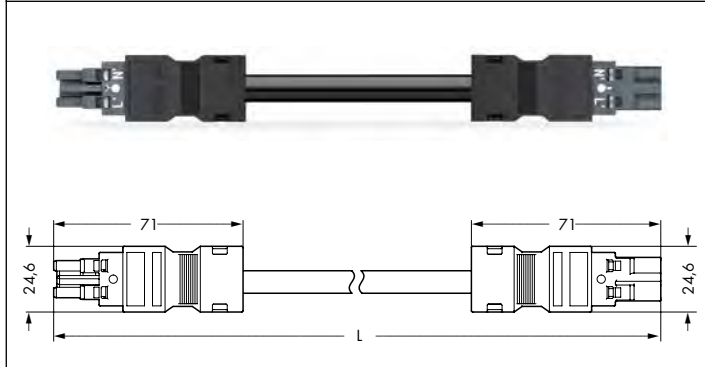
	manually operated		
	black	770-101	100 (4x25)
	white	770-121	100 (4x25)
	tool operated		
	black	770-111	100 (4x25)
	white	770-131	100 (4x25)
	lockout cap, for socket, separable, 12-pole		
	black	770-201	100
	white	770-221	100
	lockout cap, for plug, separable, 5-pole		
	yellow	770-360	100

	<p>PVC H05VV-F 2x1.5 halogen-free H05Z1Z1-F 2x1.5</p> <p>250 V/4 kV/3 I_N 16 A</p> <p>Conductor ends, bonded: 9 mm</p> <p>① Approvals</p>																																																							
Interconnecting cable, socket – plug	<table border="1"> <thead> <tr> <th>Length</th> <th>Item No. black</th> <th>Item No. white</th> <th>Item No. black</th> <th>Item No. white</th> </tr> </thead> <tbody> <tr> <td colspan="5">● Coding I, e.g., for dimming function (DALI)</td> </tr> <tr> <td colspan="2">PVC</td> <td colspan="3">halogen-free</td> </tr> <tr><td>1 m</td><td>771-8982/006-101</td><td>771-8982/006-102</td><td>771-8982/016-101</td><td>771-8982/016-102</td></tr> <tr><td>2 m</td><td>771-8982/006-201</td><td>771-8982/006-202</td><td>771-8982/016-201</td><td>771-8982/016-202</td></tr> <tr><td>3 m</td><td>771-8982/006-301</td><td>771-8982/006-302</td><td>771-8982/016-301</td><td>771-8982/016-302</td></tr> <tr><td>4 m</td><td>771-8982/006-401</td><td>771-8982/006-402</td><td>771-8982/016-401</td><td>771-8982/016-402</td></tr> <tr><td>5 m</td><td>771-8982/006-501</td><td>771-8982/006-502</td><td>771-8982/016-501</td><td>771-8982/016-502</td></tr> <tr><td>6 m</td><td>771-8982/006-601</td><td>771-8982/006-602</td><td>771-8982/016-601</td><td>771-8982/016-602</td></tr> <tr><td>7 m</td><td>771-8982/006-701</td><td>771-8982/006-702</td><td>771-8982/016-701</td><td>771-8982/016-702</td></tr> <tr><td>8 m</td><td>771-8982/006-801</td><td>771-8982/006-802</td><td>771-8982/016-801</td><td>771-8982/016-802</td></tr> </tbody> </table>	Length	Item No. black	Item No. white	Item No. black	Item No. white	● Coding I, e.g., for dimming function (DALI)					PVC		halogen-free			1 m	771-8982/006-101	771-8982/006-102	771-8982/016-101	771-8982/016-102	2 m	771-8982/006-201	771-8982/006-202	771-8982/016-201	771-8982/016-202	3 m	771-8982/006-301	771-8982/006-302	771-8982/016-301	771-8982/016-302	4 m	771-8982/006-401	771-8982/006-402	771-8982/016-401	771-8982/016-402	5 m	771-8982/006-501	771-8982/006-502	771-8982/016-501	771-8982/016-502	6 m	771-8982/006-601	771-8982/006-602	771-8982/016-601	771-8982/016-602	7 m	771-8982/006-701	771-8982/006-702	771-8982/016-701	771-8982/016-702	8 m	771-8982/006-801	771-8982/006-802	771-8982/016-801	771-8982/016-802
Length	Item No. black	Item No. white	Item No. black	Item No. white																																																				
● Coding I, e.g., for dimming function (DALI)																																																								
PVC		halogen-free																																																						
1 m	771-8982/006-101	771-8982/006-102	771-8982/016-101	771-8982/016-102																																																				
2 m	771-8982/006-201	771-8982/006-202	771-8982/016-201	771-8982/016-202																																																				
3 m	771-8982/006-301	771-8982/006-302	771-8982/016-301	771-8982/016-302																																																				
4 m	771-8982/006-401	771-8982/006-402	771-8982/016-401	771-8982/016-402																																																				
5 m	771-8982/006-501	771-8982/006-502	771-8982/016-501	771-8982/016-502																																																				
6 m	771-8982/006-601	771-8982/006-602	771-8982/016-601	771-8982/016-602																																																				
7 m	771-8982/006-701	771-8982/006-702	771-8982/016-701	771-8982/016-702																																																				
8 m	771-8982/006-801	771-8982/006-802	771-8982/016-801	771-8982/016-802																																																				
Connecting cable, socket – free end	<table border="1"> <thead> <tr> <th>Length</th> <th>Item No. black</th> <th>Item No. white</th> <th>Item No. black</th> <th>Item No. white</th> </tr> </thead> <tbody> <tr> <td colspan="5">● Coding I, e.g., for dimming function (DALI)</td> </tr> <tr> <td colspan="2">PVC</td> <td colspan="3">halogen-free</td> </tr> <tr><td>1 m</td><td>771-8982/106-101</td><td>771-8982/106-102</td><td>771-8982/116-101</td><td>771-8982/116-102</td></tr> <tr><td>2 m</td><td>771-8982/106-201</td><td>771-8982/106-202</td><td>771-8982/116-201</td><td>771-8982/116-202</td></tr> <tr><td>3 m</td><td>771-8982/106-301</td><td>771-8982/106-302</td><td>771-8982/116-301</td><td>771-8982/116-302</td></tr> <tr><td>4 m</td><td>771-8982/106-401</td><td>771-8982/106-402</td><td>771-8982/116-401</td><td>771-8982/116-402</td></tr> <tr><td>5 m</td><td>771-8982/106-501</td><td>771-8982/106-502</td><td>771-8982/116-501</td><td>771-8982/116-502</td></tr> <tr><td>6 m</td><td>771-8982/106-601</td><td>771-8982/106-602</td><td>771-8982/116-601</td><td>771-8982/116-602</td></tr> <tr><td>7 m</td><td>771-8982/106-701</td><td>771-8982/106-702</td><td>771-8982/116-701</td><td>771-8982/116-702</td></tr> <tr><td>8 m</td><td>771-8982/106-801</td><td>771-8982/106-802</td><td>771-8982/116-801</td><td>771-8982/116-802</td></tr> </tbody> </table>	Length	Item No. black	Item No. white	Item No. black	Item No. white	● Coding I, e.g., for dimming function (DALI)					PVC		halogen-free			1 m	771-8982/106-101	771-8982/106-102	771-8982/116-101	771-8982/116-102	2 m	771-8982/106-201	771-8982/106-202	771-8982/116-201	771-8982/116-202	3 m	771-8982/106-301	771-8982/106-302	771-8982/116-301	771-8982/116-302	4 m	771-8982/106-401	771-8982/106-402	771-8982/116-401	771-8982/116-402	5 m	771-8982/106-501	771-8982/106-502	771-8982/116-501	771-8982/116-502	6 m	771-8982/106-601	771-8982/106-602	771-8982/116-601	771-8982/116-602	7 m	771-8982/106-701	771-8982/106-702	771-8982/116-701	771-8982/116-702	8 m	771-8982/106-801	771-8982/106-802	771-8982/116-801	771-8982/116-802
Length	Item No. black	Item No. white	Item No. black	Item No. white																																																				
● Coding I, e.g., for dimming function (DALI)																																																								
PVC		halogen-free																																																						
1 m	771-8982/106-101	771-8982/106-102	771-8982/116-101	771-8982/116-102																																																				
2 m	771-8982/106-201	771-8982/106-202	771-8982/116-201	771-8982/116-202																																																				
3 m	771-8982/106-301	771-8982/106-302	771-8982/116-301	771-8982/116-302																																																				
4 m	771-8982/106-401	771-8982/106-402	771-8982/116-401	771-8982/116-402																																																				
5 m	771-8982/106-501	771-8982/106-502	771-8982/116-501	771-8982/116-502																																																				
6 m	771-8982/106-601	771-8982/106-602	771-8982/116-601	771-8982/116-602																																																				
7 m	771-8982/106-701	771-8982/106-702	771-8982/116-701	771-8982/116-702																																																				
8 m	771-8982/106-801	771-8982/106-802	771-8982/116-801	771-8982/116-802																																																				
Connecting cable, plug – free end	<table border="1"> <thead> <tr> <th>Length</th> <th>Item No. black</th> <th>Item No. white</th> <th>Item No. black</th> <th>Item No. white</th> </tr> </thead> <tbody> <tr> <td colspan="5">● Coding I, e.g., for dimming function (DALI)</td> </tr> <tr> <td colspan="2">PVC</td> <td colspan="3">halogen-free</td> </tr> <tr><td>1 m</td><td>771-8982/206-101</td><td>771-8982/206-102</td><td>771-8982/216-101</td><td>771-8982/216-102</td></tr> <tr><td>2 m</td><td>771-8982/206-201</td><td>771-8982/206-202</td><td>771-8982/216-201</td><td>771-8982/216-202</td></tr> <tr><td>3 m</td><td>771-8982/206-301</td><td>771-8982/206-302</td><td>771-8982/216-301</td><td>771-8982/216-302</td></tr> <tr><td>4 m</td><td>771-8982/206-401</td><td>771-8982/206-402</td><td>771-8982/216-401</td><td>771-8982/216-402</td></tr> <tr><td>5 m</td><td>771-8982/206-501</td><td>771-8982/206-502</td><td>771-8982/216-501</td><td>771-8982/216-502</td></tr> <tr><td>6 m</td><td>771-8982/206-601</td><td>771-8982/206-602</td><td>771-8982/216-601</td><td>771-8982/216-602</td></tr> <tr><td>7 m</td><td>771-8982/206-701</td><td>771-8982/206-702</td><td>771-8982/216-701</td><td>771-8982/216-702</td></tr> <tr><td>8 m</td><td>771-8982/206-801</td><td>771-8982/206-802</td><td>771-8982/216-801</td><td>771-8982/216-802</td></tr> </tbody> </table>	Length	Item No. black	Item No. white	Item No. black	Item No. white	● Coding I, e.g., for dimming function (DALI)					PVC		halogen-free			1 m	771-8982/206-101	771-8982/206-102	771-8982/216-101	771-8982/216-102	2 m	771-8982/206-201	771-8982/206-202	771-8982/216-201	771-8982/216-202	3 m	771-8982/206-301	771-8982/206-302	771-8982/216-301	771-8982/216-302	4 m	771-8982/206-401	771-8982/206-402	771-8982/216-401	771-8982/216-402	5 m	771-8982/206-501	771-8982/206-502	771-8982/216-501	771-8982/216-502	6 m	771-8982/206-601	771-8982/206-602	771-8982/216-601	771-8982/216-602	7 m	771-8982/206-701	771-8982/206-702	771-8982/216-701	771-8982/216-702	8 m	771-8982/206-801	771-8982/206-802	771-8982/216-801	771-8982/216-802
Length	Item No. black	Item No. white	Item No. black	Item No. white																																																				
● Coding I, e.g., for dimming function (DALI)																																																								
PVC		halogen-free																																																						
1 m	771-8982/206-101	771-8982/206-102	771-8982/216-101	771-8982/216-102																																																				
2 m	771-8982/206-201	771-8982/206-202	771-8982/216-201	771-8982/216-202																																																				
3 m	771-8982/206-301	771-8982/206-302	771-8982/216-301	771-8982/216-302																																																				
4 m	771-8982/206-401	771-8982/206-402	771-8982/216-401	771-8982/216-402																																																				
5 m	771-8982/206-501	771-8982/206-502	771-8982/216-501	771-8982/216-502																																																				
6 m	771-8982/206-601	771-8982/206-602	771-8982/216-601	771-8982/216-602																																																				
7 m	771-8982/206-701	771-8982/206-702	771-8982/216-701	771-8982/216-702																																																				
8 m	771-8982/206-801	771-8982/206-802	771-8982/216-801	771-8982/216-802																																																				
	Accessories																																																							
	<p>Locking lever, for "flying leads", manually operated</p> <table border="1"> <tr><td>black</td><td>770-101</td><td>100 (4x25)</td></tr> <tr><td>white</td><td>770-121</td><td>100 (4x25)</td></tr> </table>	black	770-101	100 (4x25)	white	770-121	100 (4x25)																																																	
black	770-101	100 (4x25)																																																						
white	770-121	100 (4x25)																																																						
	<p>Locking lever, for "flying leads", tool operated</p> <table border="1"> <tr><td>black</td><td>770-111</td><td>100 (4x25)</td></tr> <tr><td>white</td><td>770-131</td><td>100 (4x25)</td></tr> </table>	black	770-111	100 (4x25)	white	770-131	100 (4x25)																																																	
black	770-111	100 (4x25)																																																						
white	770-131	100 (4x25)																																																						
	<p>Lockout cap, for socket, separable, 12-pole</p> <table border="1"> <tr><td>black</td><td>770-201</td><td>100</td></tr> <tr><td>white</td><td>770-221</td><td>100</td></tr> </table>	black	770-201	100	white	770-221	100																																																	
black	770-201	100																																																						
white	770-221	100																																																						
	<p>Lockout cap, for plug, separable, 5-pole</p> <table border="1"> <tr><td>yellow</td><td>770-360</td><td>100</td></tr> </table>	yellow	770-360	100																																																				
yellow	770-360	100																																																						

WINSTA® MIDI Cable Assemblies 2 x 1.5 mm²

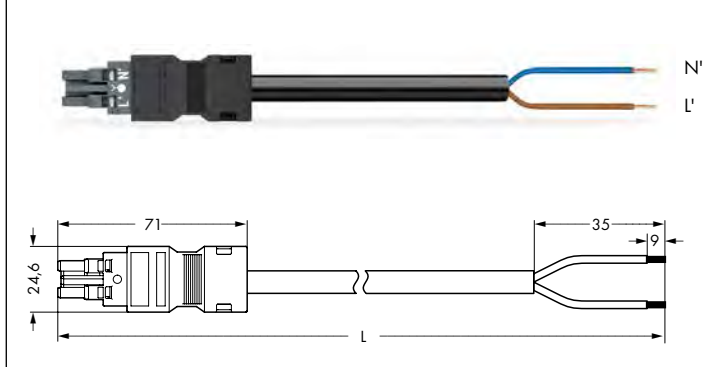
	PVC	H05VV-F 2x1.5
	halogen-free	H05Z1Z1-F 2x1.5
	250 V/4 kV/3	I _N 16 A
	Conductor ends, bonded: 9 mm	
	● Approvals	

Interconnecting cable, socket – plug



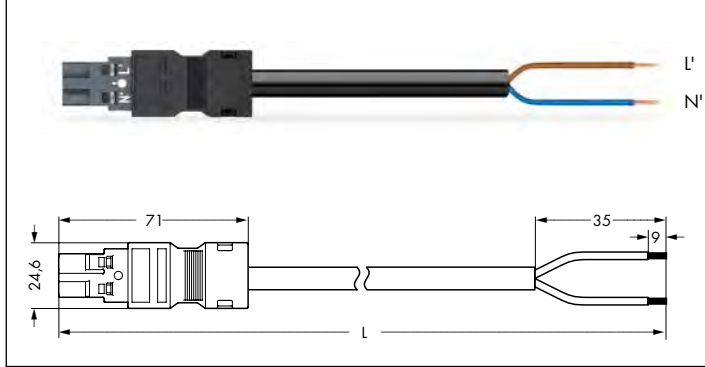
Length	Item No. black	Item No. white	Item No. black	Item No. white
● Coding L				
PVC		halogen-free		
1 m	771-8982/006-103	771-8982/006-104	771-8982/016-103	771-8982/016-104
2 m	771-8982/006-203	771-8982/006-204	771-8982/016-203	771-8982/016-204
3 m	771-8982/006-303	771-8982/006-304	771-8982/016-303	771-8982/016-304
4 m	771-8982/006-403	771-8982/006-404	771-8982/016-403	771-8982/016-404
5 m	771-8982/006-503	771-8982/006-504	771-8982/016-503	771-8982/016-504
6 m	771-8982/006-603	771-8982/006-604	771-8982/016-603	771-8982/016-604
7 m	771-8982/006-703	771-8982/006-704	771-8982/016-703	771-8982/016-704
8 m	771-8982/006-803	771-8982/006-804	771-8982/016-803	771-8982/016-804

Connecting cable, socket – free end



Length	Item No. black	Item No. white	Item No. black	Item No. white
● Coding L				
PVC		halogen-free		
1 m	771-8982/106-103	771-8982/106-104	771-8982/116-103	771-8982/116-104
2 m	771-8982/106-203	771-8982/106-204	771-8982/116-203	771-8982/116-204
3 m	771-8982/106-303	771-8982/106-304	771-8982/116-303	771-8982/116-304
4 m	771-8982/106-403	771-8982/106-404	771-8982/116-403	771-8982/116-404
5 m	771-8982/106-503	771-8982/106-504	771-8982/116-503	771-8982/116-504
6 m	771-8982/106-603	771-8982/106-604	771-8982/116-603	771-8982/116-604
7 m	771-8982/106-703	771-8982/106-704	771-8982/116-703	771-8982/116-704
8 m	771-8982/106-803	771-8982/106-804	771-8982/116-803	771-8982/116-804

Connecting cable, plug – free end



Length	Item No. black	Item No. white	Item No. black	Item No. white
● Coding L				
PVC		halogen-free		
1 m	771-8982/206-103	771-8982/206-104	771-8982/216-103	771-8982/216-104
2 m	771-8982/206-203	771-8982/206-204	771-8982/216-203	771-8982/216-204
3 m	771-8982/206-303	771-8982/206-304	771-8982/216-303	771-8982/216-304
4 m	771-8982/206-403	771-8982/206-404	771-8982/216-403	771-8982/216-404
5 m	771-8982/206-503	771-8982/206-504	771-8982/216-503	771-8982/216-504
6 m	771-8982/206-603	771-8982/206-604	771-8982/216-603	771-8982/216-604
7 m	771-8982/206-703	771-8982/206-704	771-8982/216-703	771-8982/216-704
8 m	771-8982/206-803	771-8982/206-804	771-8982/216-803	771-8982/216-804

Info

● For "International Certification Organizations" and "Approvals – User Guide", see pages 300 to 303.
Marine approvals (GL, LR, NV) relate exclusively to cables approved for marine applications.


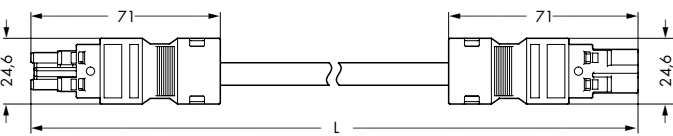

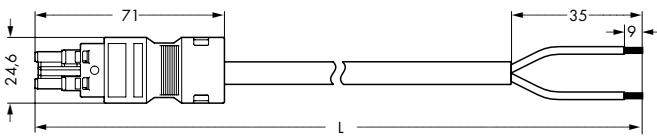

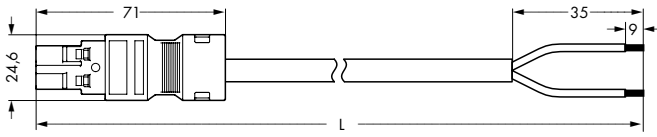




For other cables, please contact factory.

● black	Coding A	(L N)
○ white	Coding A	(L N)
● dark gray	Coding L	(L' N')

For coding information, see pages 284 to 286.
Fire load data available upon request.

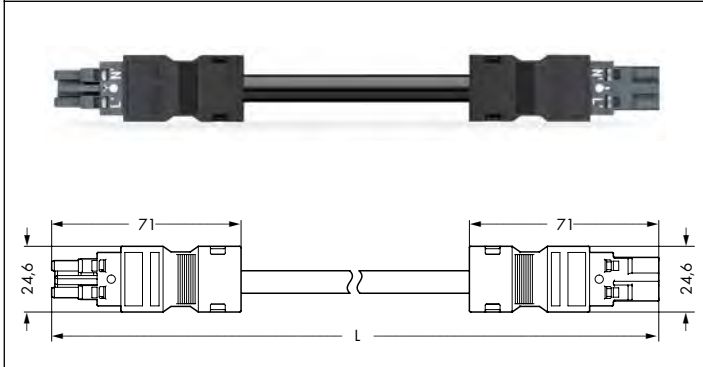
Accessories

Locking lever, for "flying leads",			
	manually operated		
	black	770-101	100 (4x25)
	white	770-121	100 (4x25)
Locking lever, for "flying leads",			
	tool operated		
	black	770-111	100 (4x25)
	white	770-131	100 (4x25)
Lockout cap, for socket, separable, 12-pole			
	black	770-201	100
	white	770-221	100
Lockout cap, for plug, separable, 5-pole			
	yellow	770-360	100

	PVC	H05VV-F 2x2.5			
	halogen-free	H05Z1Z1-F 2x2.5			
	250 V/4 kV/3 I _N 20 A				
	Conductor ends, bonded: 9 mm				
	① Approvals				
Interconnecting cable, socket – plug	Length	Item No. black	Item No. white	Item No. black	Item No. white
 	● ○ Coding A				
	PVC		halogen-free		
	1 m	771-8992/007-101	771-8992/007-102	771-8992/017-101	771-8992/017-102
	2 m	771-8992/007-201	771-8992/007-202	771-8992/017-201	771-8992/017-202
	3 m	771-8992/007-301	771-8992/007-302	771-8992/017-301	771-8992/017-302
	4 m	771-8992/007-401	771-8992/007-402	771-8992/017-401	771-8992/017-402
	5 m	771-8992/007-501	771-8992/007-502	771-8992/017-501	771-8992/017-502
	6 m	771-8992/007-601	771-8992/007-602	771-8992/017-601	771-8992/017-602
	7 m	771-8992/007-701	771-8992/007-702	771-8992/017-701	771-8992/017-702
	8 m	771-8992/007-801	771-8992/007-802	771-8992/017-801	771-8992/017-802
Connecting cable, socket – free end	Length	Item No. black	Item No. white	Item No. black	Item No. white
 	● ○ Coding A				
	PVC		halogen-free		
	1 m	771-8992/107-101	771-8992/107-102	771-8992/117-101	771-8992/117-102
	2 m	771-8992/107-201	771-8992/107-202	771-8992/117-201	771-8992/117-202
	3 m	771-8992/107-301	771-8992/107-302	771-8992/117-301	771-8992/117-302
	4 m	771-8992/107-401	771-8992/107-402	771-8992/117-401	771-8992/117-402
	5 m	771-8992/107-501	771-8992/107-502	771-8992/117-501	771-8992/117-502
	6 m	771-8992/107-601	771-8992/107-602	771-8992/117-601	771-8992/117-602
	7 m	771-8992/107-701	771-8992/107-702	771-8992/117-701	771-8992/117-702
	8 m	771-8992/107-801	771-8992/107-802	771-8992/117-801	771-8992/117-802
Connecting cable, plug – free end	Length	Item No. black	Item No. white	Item No. black	Item No. white
 	● ○ Coding A				
	PVC		halogen-free		
	1 m	771-8992/207-101	771-8992/207-102	771-8992/217-101	771-8992/217-102
	2 m	771-8992/207-201	771-8992/207-202	771-8992/217-201	771-8992/217-202
	3 m	771-8992/207-301	771-8992/207-302	771-8992/217-301	771-8992/217-302
	4 m	771-8992/207-401	771-8992/207-402	771-8992/217-401	771-8992/217-402
	5 m	771-8992/207-501	771-8992/207-502	771-8992/217-501	771-8992/217-502
	6 m	771-8992/207-601	771-8992/207-602	771-8992/217-601	771-8992/217-602
	7 m	771-8992/207-701	771-8992/207-702	771-8992/217-701	771-8992/217-702
	8 m	771-8992/207-801	771-8992/207-802	771-8992/217-801	771-8992/217-802
Accessories					
Locking lever, for "flying leads",					
manually operated					
		black	770-101	100	(4x25)
		white	770-121	100	(4x25)
Locking lever, for "flying leads",					
tool operated					
		black	770-111	100	(4x25)
		white	770-131	100	(4x25)
Lockout cap, for socket, separable, 12-pole					
		black	770-201	100	
		white	770-221	100	
Lockout cap, for plug, separable, 5-pole					
		yellow	770-360	100	

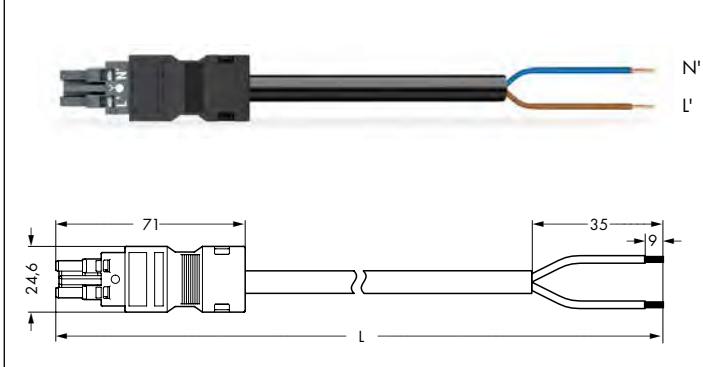
	PVC	H05VV-F 2x2.5
	halogen-free	H05Z1Z1-F 2x2.5
	250 V/4 kV/3	I _N 20 A
	Conductor ends, bonded: 9 mm	
	① Approvals	

Interconnecting cable, socket – plug



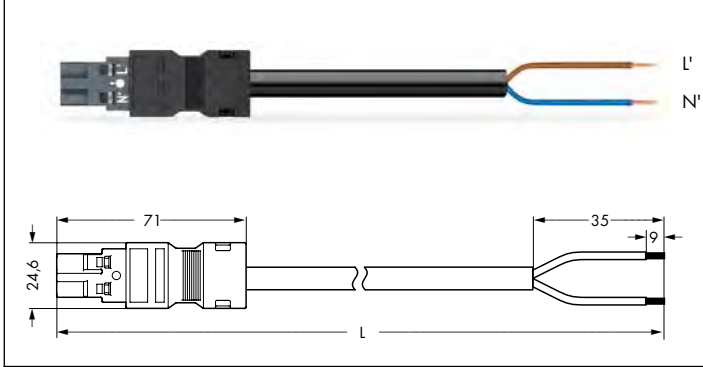
Length	Item No. black	Item No. white	Item No. black	Item No. white
● Coding L				
PVC		halogen-free		
1 m	771-8982/007-103	771-8982/007-104	771-8982/017-103	771-8982/017-104
2 m	771-8982/007-203	771-8982/007-204	771-8982/017-203	771-8982/017-204
3 m	771-8982/007-303	771-8982/007-304	771-8982/017-303	771-8982/017-304
4 m	771-8982/007-403	771-8982/007-404	771-8982/017-403	771-8982/017-404
5 m	771-8982/007-503	771-8982/007-504	771-8982/017-503	771-8982/017-504
6 m	771-8982/007-603	771-8982/007-604	771-8982/017-603	771-8982/017-604
7 m	771-8982/007-703	771-8982/007-704	771-8982/017-703	771-8982/017-704
8 m	771-8982/007-803	771-8982/007-804	771-8982/017-803	771-8982/017-804

Connecting cable, socket – free end



Length	Item No. black	Item No. white	Item No. black	Item No. white
● Coding L				
PVC		halogen-free		
1 m	771-8982/107-103	771-8982/107-104	771-8982/117-103	771-8982/117-104
2 m	771-8982/107-203	771-8982/107-204	771-8982/117-203	771-8982/117-204
3 m	771-8982/107-303	771-8982/107-304	771-8982/117-303	771-8982/117-304
4 m	771-8982/107-403	771-8982/107-404	771-8982/117-403	771-8982/117-404
5 m	771-8982/107-503	771-8982/107-504	771-8982/117-503	771-8982/117-504
6 m	771-8982/107-603	771-8982/107-604	771-8982/117-603	771-8982/117-604
7 m	771-8982/107-703	771-8982/107-704	771-8982/117-703	771-8982/117-704
8 m	771-8982/107-803	771-8982/107-804	771-8982/117-803	771-8982/117-804

Connecting cable, plug – free end



Length	Item No. black	Item No. white	Item No. black	Item No. white
● Coding L				
PVC		halogen-free		
1 m	771-8982/207-103	771-8982/207-104	771-8982/217-103	771-8982/217-104
2 m	771-8982/207-203	771-8982/207-204	771-8982/217-203	771-8982/217-204
3 m	771-8982/207-303	771-8982/207-304	771-8982/217-303	771-8982/217-304
4 m	771-8982/207-403	771-8982/207-404	771-8982/217-403	771-8982/217-404
5 m	771-8982/207-503	771-8982/207-504	771-8982/217-503	771-8982/217-504
6 m	771-8982/207-603	771-8982/207-604	771-8982/217-603	771-8982/217-604
7 m	771-8982/207-703	771-8982/207-704	771-8982/217-703	771-8982/217-704
8 m	771-8982/207-803	771-8982/207-804	771-8982/217-803	771-8982/217-804

Info

① For “International Certification Organizations” and “Approvals – User Guide”, see pages 300 to 303.
Marine approvals (GL, LR, NV) relate exclusively to cables approved for marine applications.
For other cables, please contact factory.

● dark gray Coding L (L' N')

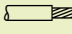
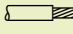
For coding information, see pages 284 to 286.
Fire load data available upon request.

Accessories

	manually operated		
	black	770-101	100 (4x25)
	white	770-121	100 (4x25)
	tool operated		
	black	770-111	100 (4x25)
	white	770-131	100 (4x25)
	black	770-201	100
	white	770-221	100
	yellow	770-360	100










WINSTA® MIDI Sockets and Plugs, 3-Pole

<p>2 x 0.5–4 mm² ① 250 V/4 kV/3 I_N 25 A</p> <p> 9 mm / 0.35 in. ② Approvals</p>	<p>2 x 20–12 AWG</p> <p>2 x 0.5–4 mm² ① 250 V/4 kV/3 I_N 25 A</p> <p> 9 mm / 0.35 in. ② Approvals</p>
--	---



Description	Color	Item No.	Pack. Unit	Color	Item No.	Pack. Unit	
Connectors, 3-pole, with CAGE CLAMP® S connection	Socket with strain relief housing,			Plug with strain relief housing,			
		for 2 cables, 8–11.5 mm diameter ③			for 2 cables, 8–11.5 mm diameter ③		
	● black	770-103	25	● black	770-113	25	
	○ white	770-123	25	○ white	770-133	25	
		for quick assembly ④			for quick assembly ④		
		for 1 cable, 7–10.5 mm diameter			for 1 cable, 7–10.5 mm diameter		
	● black	770-203/035-000	25	● black	770-213/035-000	25	
	○ white	770-223/035-050	25	○ white	770-233/035-050	25	

Item-Specific Accessories						
	Lockout cap, for socket, separable, 12-pole			Lockout cap, for plug, separable, 5-pole		
		black 770-201 100 white 770-221 100			yellow 770-360 100	
	Operating tool, partially insulated 3-way			Coding pin, for plug (A and B coding)		
		770-383 1			gray 770-401 100	

Accessories, 770 Series						
	Locking lever, for “flying leads”, manually operated			Locking lever, for “flying leads”, tool operated		
		black 770-101 100 (4x25) white 770-121 100 (4x25)			black 770-111 100 (4x25) white 770-131 100 (4x25)	
	Marker, for manual marking					
		white 770-450 50				

Info	Dimensions
------	------------

① Conductor sizes: 0.5–4 mm² “s + f-st”
0.5–2.5 mm² “stranded”

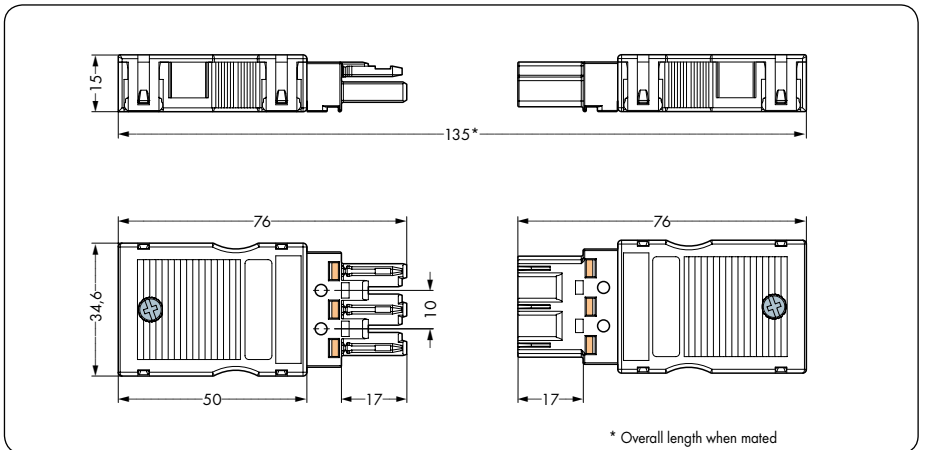
② For “International Certification Organizations” and “Approvals – User Guide”, see pages 300 to 303.

③ For more strain relief housings, see pages 96 and 97.

④ see page 97

● black	Coding A	(L ⊕ N)
○ white	Coding A	(L ⊕ N)
● red	Coding P	(L ⊕ N)
● orange	Coding R	(LON LON S)
● brown	Coding S	(1 2 L)

For coding information, see pages 284 to 286.
Fire load data available upon request.



2 x 0.5–4 mm ² ① 250 V/4 kV/3 I _N 25 A 9 mm / 0.35 in. ② Approvals	2 x 20–12 AWG 9 mm / 0.35 in. ② Approvals	2 x 0.5–4 mm ² ① 250 V/4 kV/3 I _N 25 A 9 mm / 0.35 in. ② Approvals	2 x 20–12 AWG 9 mm / 0.35 in. ② Approvals
--	---	--	---



Notice:

All connectors for fixed installations (snap-in versions for lighting fixtures, devices or all types of PCBs and distribution cabinets) are factory-equipped with locking levers to ensure plugs and sockets are securely locked. Additional locking levers are only required for “flying leads” (plug/socket).

Color	Item No.	Pack. Unit	Color	Item No.	Pack. Unit
Socket without strain relief housing			Plug without strain relief housing		
● black	770-203	100	● black	770-213	100
○ white	770-223	100	○ white	770-233	100
● red	770-1303	100	● red	770-1313	100
● orange	770-1343	100	● orange	770-1353	100
● brown	770-1363	100	● brown	770-1373	100

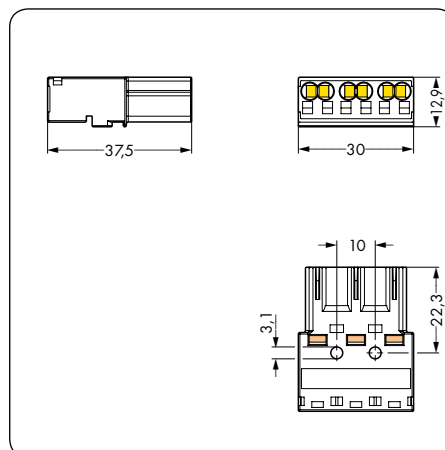
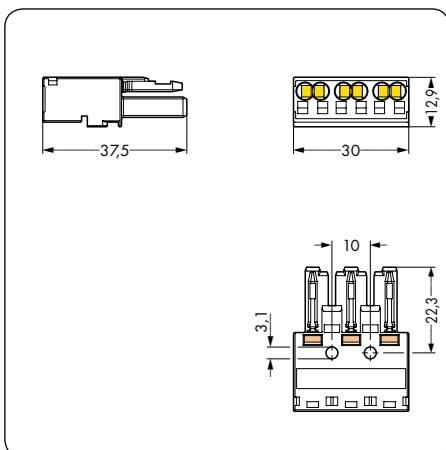


Snap on locking lever. Observe direction!

Item-Specific Accessories							
Lockout cap , for socket, separable, 12-pole			Lockout cap , for plug, separable, 5-pole				
	black	770-201	100		yellow	770-360	100
	white	770-221	100				
Operating tool , partially insulated			Coding pin , for plug (A and B coding)				
	3-way	770-383	1		gray	770-401	100
Accessories, 770 Series							
Locking lever , for “flying leads”, manually operated			Locking lever , for “flying leads”, tool operated				
	black	770-101	100 (4x25)		black	770-111	100 (4x25)
	white	770-121	100 (4x25)		white	770-131	100 (4x25)
Marker , for manual marking							
	white	770-450	50				
Dimensions							



Locking lever, manually operated:
 1.) Press on locking lever.
 2.) Pull apart the connectors.



Locking lever, tool operated:
 1.) Unlatch locking lever.
 2.) Pull apart the connectors.




WINSTA® MIDI

Strain Relief Housings, 3-Pole, for Different Cable Diameters

	<p>Snap-on type strain relief housings for:</p> <ul style="list-style-type: none"> - 3-pole sockets - 3-pole plugs <p>① Approvals</p>	<p>Snap-on type strain relief housings for:</p> <ul style="list-style-type: none"> - 3-pole sockets - 3-pole plugs <p>① Approvals</p>
--	---	---



Description	Color	Item No.	Pack. Unit	Color	Item No.	Pack. Unit
Strain relief housing, 3-pole	Strain relief housing, for 2 cables, 4.5-8 mm diameter ②			Strain relief housing, for 2 cables, 8-11.5 mm diameter ②		
	black	770-503/023-000	50	black	770-503	50
	white	770-513/023-000	50	white	770-513	50

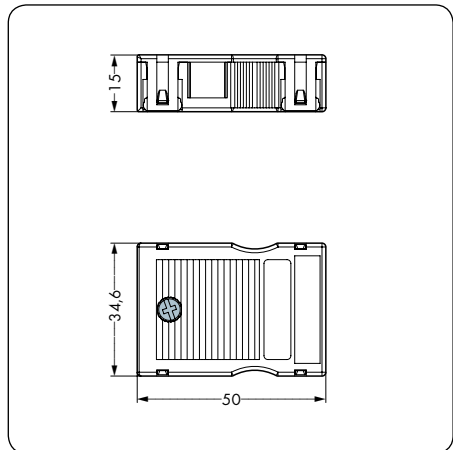
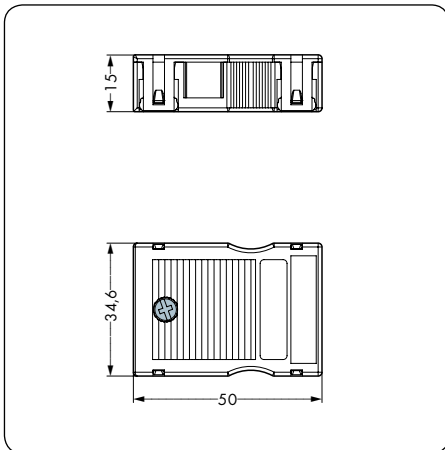
Item-Specific Accessories							
		<p>Marking strip, self-adhesive, on DIN A4 carrier card, 182 mm long</p>  <p>Strip height: 6 mm 210-333 100 Marking area: 48 x 6.5 mm</p>				<p>Marking strip, self-adhesive, on DIN A4 carrier card, 182 mm long</p>  <p>Strip height: 6 mm 210-333 100 Marking area: 48 x 6.5 mm</p>	
		<p>Shield connecting plate, for sockets and plugs, for 2 cables, 4-7.5 mm diameter</p>  <p>770-523 25</p>					

Info	Dimensions
------	------------

① For "International Certification Organizations" and "Approvals – User Guide", see pages 300 to 303.

② For H05VV and NYM cables
For other cables, please contact factory.

Fire load data available upon request.





<p>Snap-on type strain relief housings for:</p> <ul style="list-style-type: none"> - 3-pole sockets - 3-pole plugs <p>① Approvals</p>	<p>Snap-on type strain relief housings for:</p> <ul style="list-style-type: none"> - 3-pole sockets - 3-pole plugs <p>① Approvals</p>	<p>Snap-on type strain relief housings for:</p> <ul style="list-style-type: none"> - 3-pole sockets - 3-pole plugs <p>① Approvals</p>
---	---	---

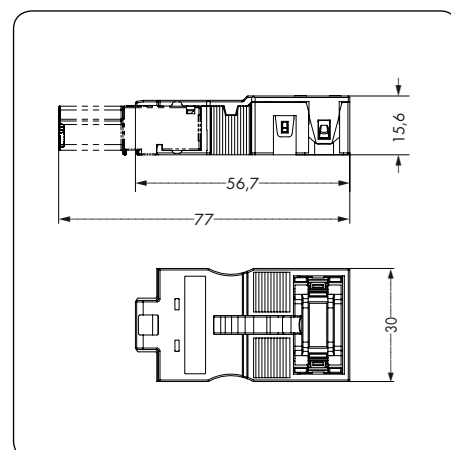
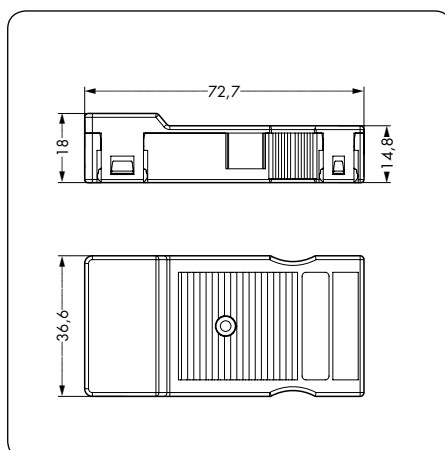
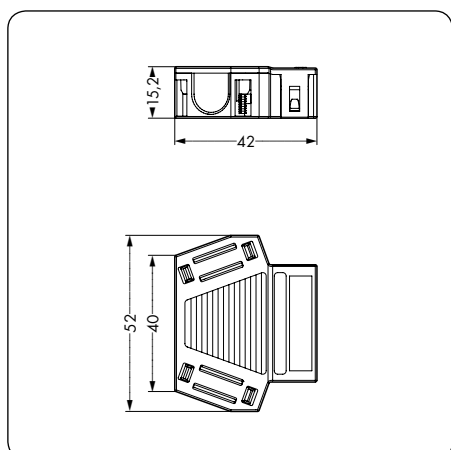


Color	Item No.	Pack. Unit	Color	Item No.	Pack. Unit	Color	Item No.	Pack. Unit
Strain relief housing, angled for 2 cables, 8-11.5 mm diameter ②			Strain relief housing for 4 mm² conductors, for 1 cable, 9-13 mm diameter ② Strip length, outer insulation: 71 mm			Strain relief housing, for quick assembly, for 1 cable, 7-11.5 mm diameter ②		
black	770-503/032-000	25	black	770-503/021-000	50	black	770-503/035-000	50
white	770-513/032-000	25	white	770-513/021-000	50	white	770-513/035-000	50

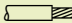
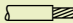
Item-Specific Accessories

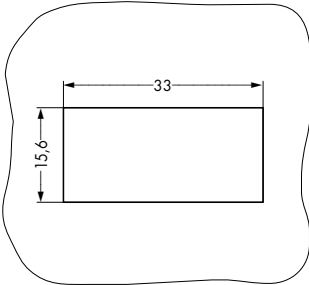
<p>Marking strip, self-adhesive, on DIN A4 carrier card, 182 mm long Strip height: 6 mm 210-333 100 Marking area: 48 x 6.5 mm</p> 	<p>Marking strip, self-adhesive, on DIN A4 carrier card, 182 mm long Strip height: 6 mm 210-333 100 Marking area: 48 x 6.5 mm</p> 
---	---

Dimensions









WINSTA® MIDI Snap-In Sockets, 3-Pole

Cutout dimensions Plate thickness: 0.5–2 mm Cutout tolerance: + 0.1 mm	2 x 0.5–4 mm ² ① 250 V/4 kV/3 I _N 25 A	2 x 20–12 AWG	2 x 0.5–4 mm ² ① 250 V/4 kV/3 I _N 25 A	2 x 20–12 AWG
	 9 mm / 0.35 in. ② Approvals			 9 mm / 0.35 in. ② Approvals



Description	Color	Item No.	Pack. Unit	Color	Item No.	Pack. Unit
Connectors, snap-in device connection, 3-pole, with CAGE CLAMP® S connection, snap-in frame, 3-pole	Socket			Socket with protruding interface		
	● black	770-703	100	● black	770-703/009-000	45
	○ white	770-723	100	○ white	770-723/009-000	45
	● red	770-2303	100			
	● orange	770-2343	100			
	● brown	770-2363	100			

Item-Specific Accessories						
	Lockout cap, for socket, separable, 12-pole			Lockout cap, for socket, separable, 12-pole		
		black 770-201 100			black 770-201 100	
		white 770-221 100			white 770-221 100	
	Operating tool, partially insulated			Operating tool, partially insulated		
		3-way	770-383 1		3-way	770-383 1

Accessories, 770 Series						
	Lockout cap, for cutout, 3-pole			Lockout cap, for cutout, 3-pole		
		black 770-643 100			black 770-643 100	
		white 770-693 100			white 770-693 100	

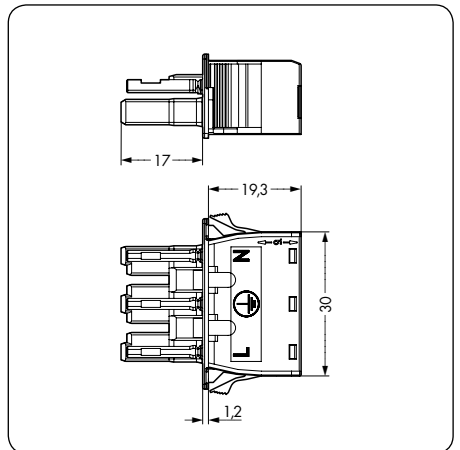
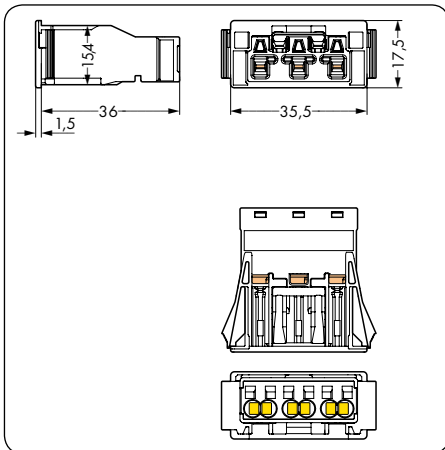
Info	Dimensions
------	------------

① Conductor sizes: 0.5–4 mm² "s + f-st"
0.5–2.5 mm² "stranded"

② For "International Certification Organizations" and "Approvals – User Guide", see pages 300 to 303.

● black	Coding A	(L ⊕ N)
○ white	Coding A	(L ⊕ N)
● red	Coding P	(L ⊕ N)
● orange	Coding R	(LON LON S)
● brown	Coding S	(1 2 L)

For coding information, see pages 284 to 286.
Fire load data available upon request.



WINSTA® MIDI Snap-In Plugs and Frames, 3-Pole

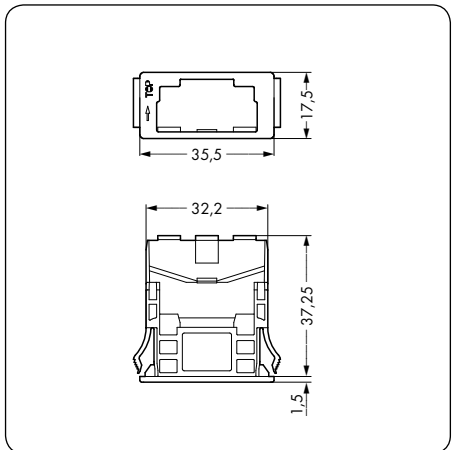
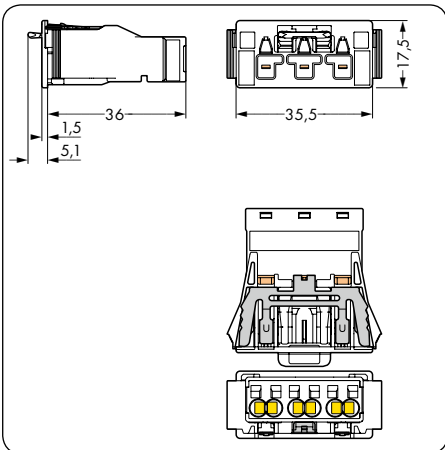
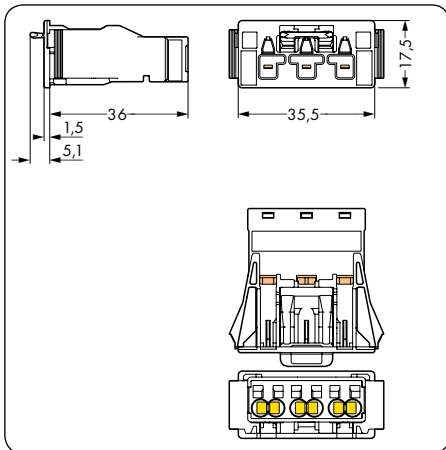
<p>2 x 0.5–4 mm² ① 250 V/4 kV/3 I_N 25 A</p> <p>9 mm / 0.35 in.</p> <p>② Approvals</p>	<p>2 x 20–12 AWG</p>	<p>2 x 0.5–4 mm² ① 250 V/4 kV/3 I_N 25 A</p> <p>9 mm / 0.35 in.</p> <p>② Approvals</p>	<p>2 x 20–12 AWG</p>	<p>Snap-in frame – for 3-pole sockets and plugs (see page 95) Plate thickness: 1–3 mm</p>
---	----------------------	---	----------------------	---



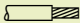

Color	Item No.	Pack. Unit	Color	Item No.	Pack. Unit	Color	Item No.	Pack. Unit
Plug			Plug with direct ground contact			Snap-in frame, 3-pole		
● black	770-713	100	● black	770-713/007-000	100	black	770-318	100
○ white	770-733	100	○ white	770-733/007-000	100	white	770-338	100
● red	770-2313	100	● red	770-2313/007-000	100			
● orange	770-2353	100						

Item-Specific Accessories		
<p>Lockout cap, for plug, separable, 5-pole</p> <p>yellow 770-360 100</p>	<p>Lockout cap, for plug, separable, 5-pole</p> <p>yellow 770-360 100</p>	<p>Locking lever, oversized, tool operated</p> <p>gray 770-140 100 (4x25)</p>
<p>Operating tool, partially insulated 3-way</p> <p>770-383 1</p>	<p>Coding pin, for plug (A and B coding)</p> <p>gray 770-401 100</p>	<p>Insert the socket or plug into the frame (observe the "TOP" marking on the frame!). Snap the assembled unit into the cutout.</p>
<p>Accessories, 770 Series</p>		
<p>Lockout cap, for cutout, 3-pole</p> <p>black 770-643 100 white 770-693 100</p>	<p>Lockout cap, for cutout, 3-pole</p> <p>black 770-643 100 white 770-693 100</p>	

Dimensions





WINSTA® MIDI Plugs with Ground Contact, 3-Pole

	<p>2 x 0.5–4 mm² 250 V/4 kV/3 I_N 25 A</p>	<p>2 x 20–12 AWG</p>	
	<p> 9 mm / 0.35 in.</p>		
	<p> Approvals</p>		



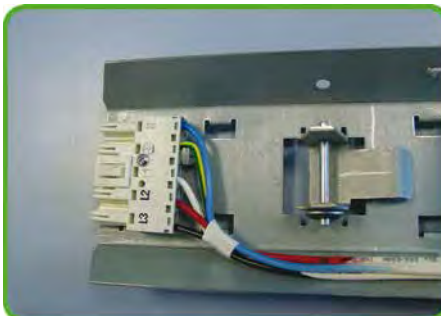
Description	Color	Item No.	Pack. Unit
Plug with ground contact, device connector	● black	770-213/002-000	25
	○ white	770-233/002-000	25
Please contact factory for delivery time and other colors for 4-/5-pole plugs.			

Item-Specific Accessories			
	Lockout cap, for plug, separable, 5-pole		
		yellow 770-360	100

Accessories, 770 Series			
	Locking lever, for "flying leads", manually operated		
		black 770-101	100 (4x25)
		white 770-121	100 (4x25)
	Locking lever, for "flying leads", tool operated		
		black 770-111	100 (4x25)
		white 770-131	100 (4x25)

Info	Application
------	-------------

- 1 For "International Certification Organizations" and "Approvals – User Guide", see pages 300 to 303.
 - 2 Internal connection via 0.8 mm thick current bars is possible. For other thicknesses, please contact factory.
- black Coding A (L ⊕ N)
○ white Coding A (L ⊕ N)
- For coding information, see pages 284 to 286.
Fire load data available upon request.



Plug with ground contact mounted on luminaire (example shows 5-pole plug).

WINSTA® MIDI

Device Connectors, 3-pole

250 V/4 kV/3 I_N 25 A 1 Approvals	250 V/4 kV/3 I_N 25 A 1 Approvals
--	--



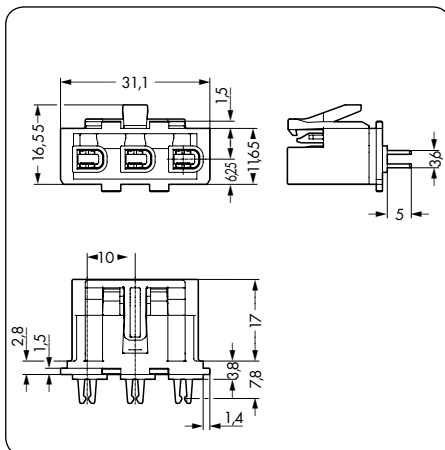
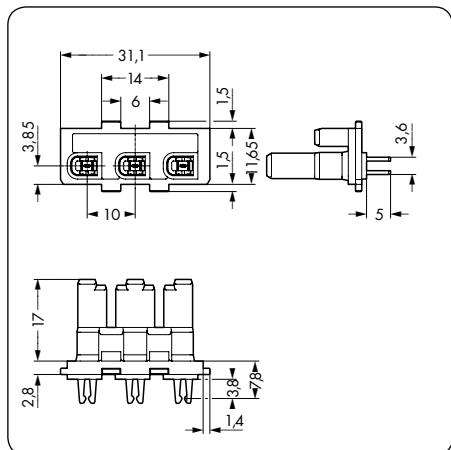
Color	Item No.	Pack. Unit	Color	Item No.	Pack. Unit
Socket module 2			Plug module with locking lever 2		
● black	770-408	100	● black	770-418	100
○ white	770-428	100	○ white	770-438	100



Device connectors can be cost-effectively installed in appropriate guide slots of a housing. Internal electrical connection is performed by contacting the 0.8 mm thick current bars. 2

Item-Specific Accessories							
Lockout cap, for socket, separable, 12-pole			Lockout cap, for plug, separable, 5-pole				
	black	770-201	100		yellow	770-360	100
	white	770-221	100				
Accessories, 770 Series							
Locking lever, for "flying leads", manually operated			Locking lever, for "flying leads", tool operated				
	black	770-101	100 (4x25)		black	770-111	100 (4x25)
	white	770-121	100 (4x25)		white	770-131	100 (4x25)

Dimensions



WINSTA® MIDI PCB Connectors, 3-Pole

	<p>250 V/4 kV/3 I_N 25 A</p> <p>① Approvals</p>	<p>250 V/4 kV/3 I_N 25 A</p> <p>① Approvals</p>
--	---	---

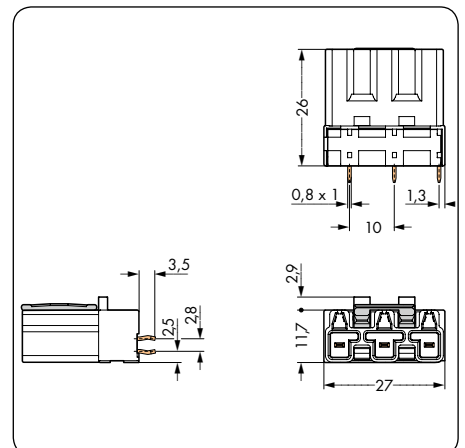
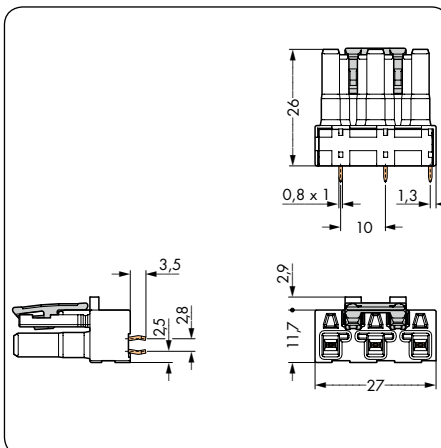


Description	Color	Item No.	Pack. Unit	Color	Item No.	Pack. Unit
PCB connectors, 2 solder pins per pole	Socket, straight			Plug, straight		
	● black	770-803	100	● black	770-813	100
	○ white	770-823	100	○ white	770-833	100
Item-Specific Accessories						
	Lockout cap, for socket, separable, 12-pole			Lockout cap, for plug, separable, 5-pole		
		black 770-201 100 white 770-221 100			yellow 770-360 100	
				Coding pin, for plug (A and B coding)		
					gray 770-401 100	
Accessories, 770 Series						
	Locking lever, for "flying leads", manually operated			Locking lever, for "flying leads", tool operated		
		black 770-101 100 (4x25) white 770-121 100 (4x25)			black 770-111 100 (4x25) white 770-131 100 (4x25)	
Info	Dimensions					

① For "International Certification Organizations" and "Approvals – User Guide", see pages 300 to 303.

- black Coding A (L ⊕ N)
- white Coding A (L ⊕ N)




For coding information, see pages 284 to 286.
Fire load data available upon request.





250 V/4 kV/3 I_N 25 A 1 Approvals	250 V/4 kV/3 I_N 25 A 1 Approvals
---	---

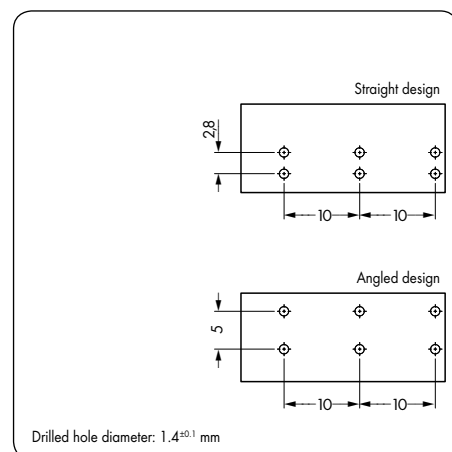
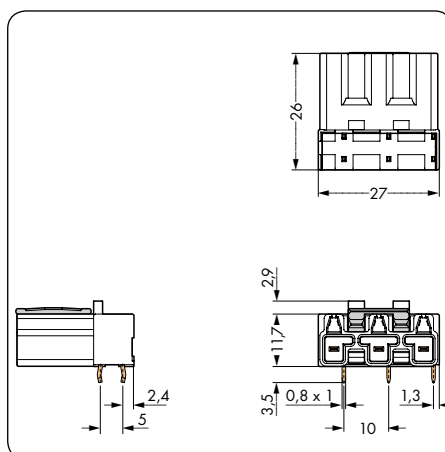
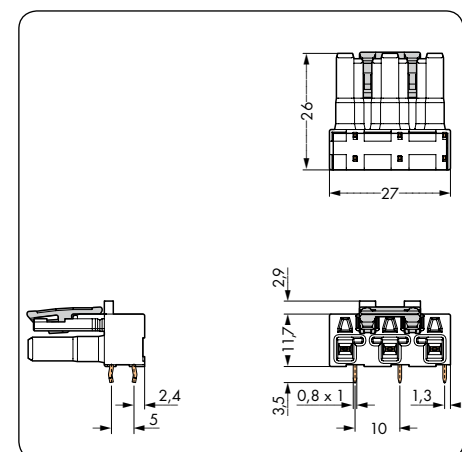


Color	Item No.	Pack. Unit	Color	Item No.	Pack. Unit
Socket, angled			Plug, angled		
● black	770-803/011-000	100	● black	770-813/011-000	100
○ white	770-823/011-000	100	○ white	770-833/011-000	100

Item-Specific Accessories						
Lockout cap, for socket, separable, 12-pole 			Lockout cap, for plug, separable, 5-pole 			
	black	770-201	100	yellow	770-360	100
	white	770-221	100			
Coding pin, for plug (A and B coding) 			gray 770-401 100			

Accessories, 770 Series						
Locking lever, for "flying leads", manually operated 			Locking lever, for "flying leads", tool operated 			
	black	770-101	100 (4x25)	black	770-111	100 (4x25)
	white	770-121	100 (4x25)	white	770-131	100 (4x25)

Dimensions	Hole patterns
------------	---------------



WINSTA® – perfectly plugged!

WINSTA® MIDI
Linect® T-Connector,
T-Distribution Connectors, 3-Pole

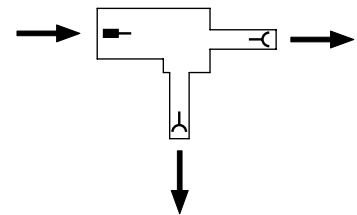
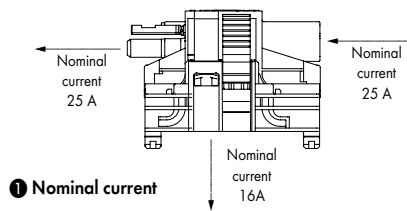


	250 V/4 kV/3 I_N 25 A (16 A) ❶ ❷ Approvals	250 V/4 kV/3 I_N 25 A ❷ Approvals
--	--	---

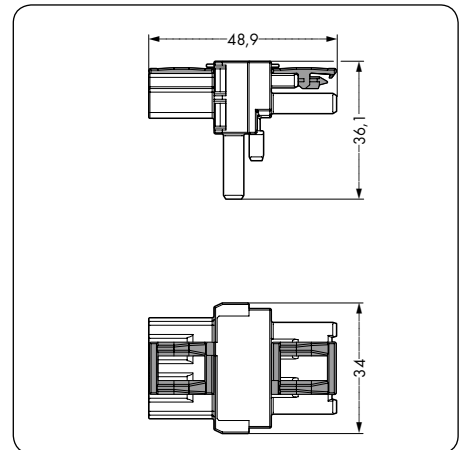
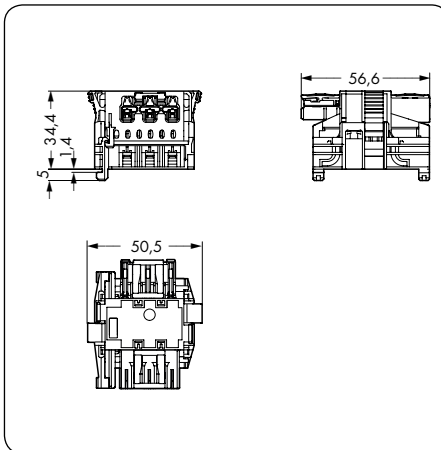


Description	Color	Item No.	Pack. Unit	Color	Item No.	Pack. Unit
Linect® T-connector		Linect® T-connector, 3-pole,		T-distribution connector, 1 x plug/2 x socket		
T-distribution connector		socket - plug,		● black	770-606	50
Intermediate coupler		white housing, white cover		○ white	770-656	50
h-distribution connector	○ white	770-6223	25	● orange	770-667	50
		Suitable for 294-8013 and 294-8113 Lighting Connectors		for "flying leads", with 3rd locking lever		
				● black	770-615	50
				○ white	770-665	50
				● orange	770-670	50

Item-Specific Accessories						
		Lockout cap, for socket, separable, 12-pole			Lockout cap, for socket, separable, 12-pole	
		black	770-201	100	black	770-201 100
		white	770-221	100	white	770-221 100
		Lockout cap, for plug, separable, 5-pole			Lockout cap, for plug, separable, 5-pole	
		yellow	770-360	100	yellow	770-360 100
		Coding pin, for plug (A and B coding)				
		gray	770-401	100		
Info	Dimensions					



- ❷ For "International Certification Organizations" and "Approvals – User Guide", see pages 300 to 303.
 - ❸ 5.0 mm Ø, 0.2–1.2 mm plate thickness
 - ❹ 6.0 mm Ø, 1–2.5 mm plate thickness
- | | | |
|----------|----------|-------------|
| ● black | Coding A | (L ⊕ N) |
| ○ white | Coding A | (L ⊕ N) |
| ● red | Coding P | (L ⊕ N) |
| ● orange | Coding R | (LON LON S) |
- For coding information, see pages 284 to 286.
Fire load data available upon request.



WINSTA® MIDI









Intermediate Couplers and h-Distribution Connectors, 3-Pole

250 V/4 kV/3 I_N 25 A ② Approvals	250 V/4 kV/3 I_N 25 A ② Approvals	250 V/4 kV/3 I_N 25 A ② Approvals
---	---	---

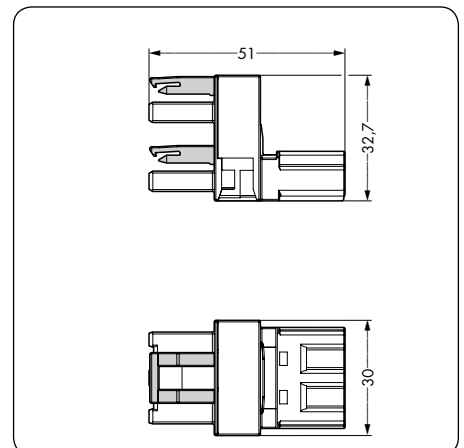
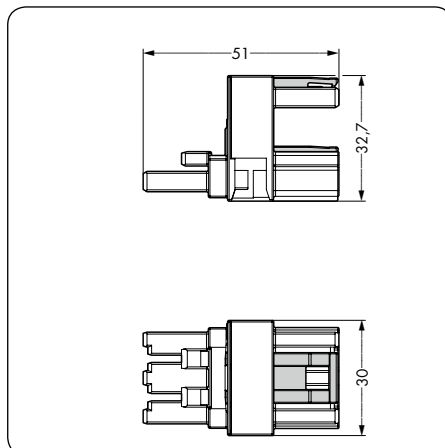
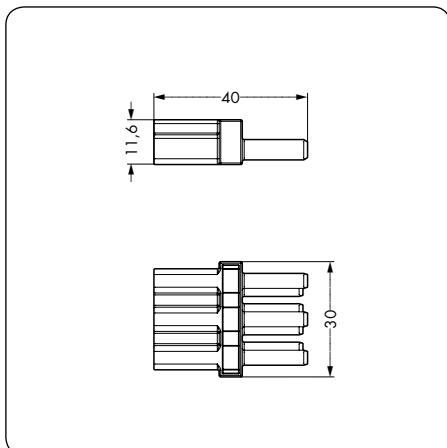
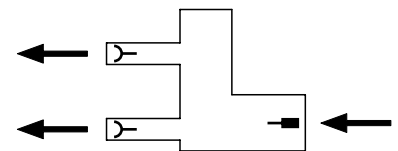
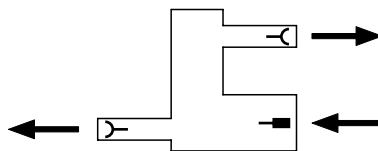
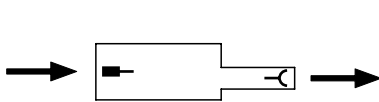


Color	Item No.	Pack. Unit	Color	Item No.	Pack. Unit	Color	Item No.	Pack. Unit
Intermediate coupler, 1 x plug/1 x socket			h-distribution connector, bi-directional, plug – socket/socket			h-distribution connector, unidirectional, plug/socket – socket		
● black	770-603	100	● black	770-633	50	● black	770-634	50
○ white	770-653	100	○ white	770-683	50	○ white	770-684	50
			for "flying leads", with 3rd locking lever			for "flying leads", with 3rd locking lever		
● black	770-635	50	● black	770-635	50	● black	770-636	50
○ white	770-685	50	○ white	770-685	50	○ white	770-686	50
						● red		
						770-936		

Item-Specific Accessories

Lockout cap, for socket, separable, 12-pole  <ul style="list-style-type: none"> black 770-201 100 white 770-221 100 	Mounting plate, for distribution connectors  <ul style="list-style-type: none"> black 770-623 25 white 770-673 25 	Mounting plate, for distribution connectors  <ul style="list-style-type: none"> black 770-623 25 white 770-673 25 			
Lockout cap, for plug, separable, 5-pole  <ul style="list-style-type: none"> yellow 770-360 100 	Fixing pin, for mounting plates  <ul style="list-style-type: none"> ③ black 890-601 250 ④ black 770-601 250 	Fixing pin, for mounting plates  <ul style="list-style-type: none"> ③ black 890-601 250 ④ black 770-601 250 			
Lockout cap, for socket, separable, 12-pole  <ul style="list-style-type: none"> black 770-201 100 white 770-221 100 			Lockout cap, for socket, separable, 12-pole  <ul style="list-style-type: none"> black 770-201 100 white 770-221 100 		

Dimensions



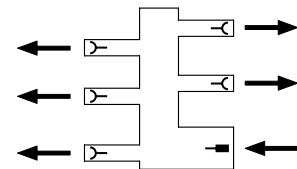
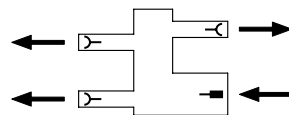
WINSTA® MIDI Distribution Connectors, 3-Pole

	250 V/4 kV/3 I_N 25 A ① Approvals	250 V/4 kV/3 I_N 25 A ① Approvals
--	---	---



Description	Color	Item No.	Pack. Unit	Color	Item No.	Pack. Unit
Distribution connectors, pluggable	Distribution connector, 3-way, 1 x plug/3 x socket			Distribution connector, 5-way, 1 x plug / 5 x socket		
	● black	770-607	50	● black	770-608	25
	○ white	770-657	50	○ white	770-658	25
	● red	770-907	50			

Item-Specific Accessories						
	Mounting plate, for distribution connectors			Mounting plate, for distribution connectors		
		black 770-623	25		black 770-623	25
		white 770-673	25		white 770-673	25
	Fixing pin, for mounting plates			Fixing pin, for mounting plates		
		② black 890-601	250		② black 890-601	250
		③ black 770-601	250		③ black 770-601	250
	Lockout cap, for socket, separable, 12-pole			Lockout cap, for socket, separable, 12-pole		
		black 770-201	100		black 770-201	100
		white 770-221	100		white 770-221	100
	Lockout cap, for plug, separable, 5-pole			Lockout cap, for plug, separable, 5-pole		
		yellow 770-360	100		yellow 770-360	100



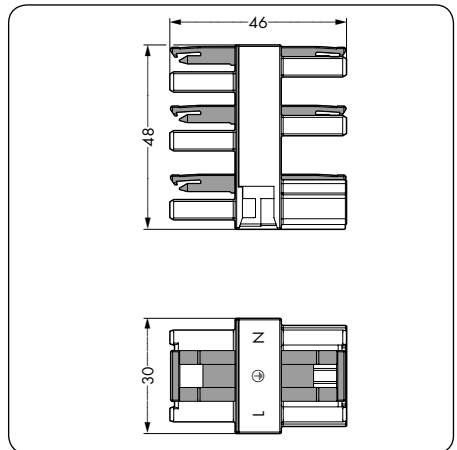
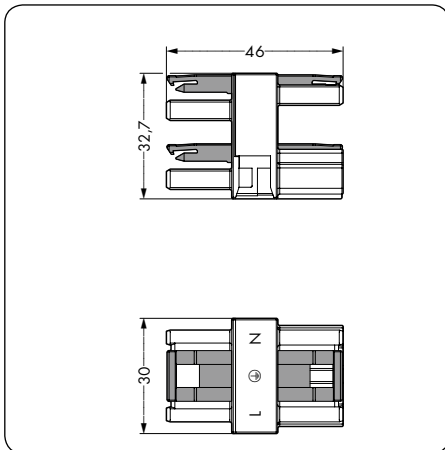
① For "International Certification Organizations" and "Approvals – User Guide", see pages 300 to 303.

② 5.0 mm Ø, 0.2–1.2 mm plate thickness

③ 6.0 mm Ø, 1–2.5 mm plate thickness

● black Coding A (L ⊕ N)
 ○ white Coding A (L ⊕ N)
 ● red Coding P (L ⊕ N)

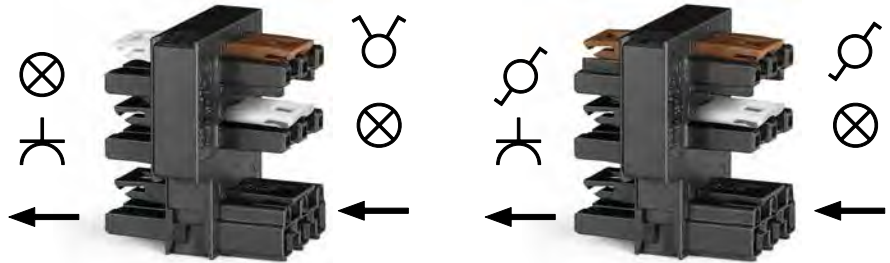
For coding information, see pages 284 to 286.
 Fire load data available upon request.





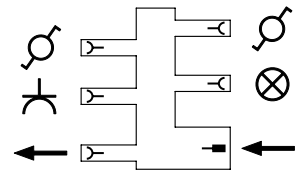
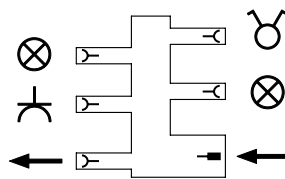
WINSTA® MIDI Distribution Connectors, 3-Pole

	<p>250 V/4 kV/3 I_N 25 A</p> <p>① Approvals</p>	<p>250 V/4 kV/3 I_N 25 A</p> <p>① Approvals</p>
--	---	---



Description	Color	Item No.	Pack. Unit	Color	Item No.	Pack. Unit
Distribution connectors, pluggable	Distribution connector for single-pole switch and series circuits, 1 x plug, coding A, LL ④ black/white 2 x socket, coding A, LL ④ black/white 2 x socket, coding A (lighting fixtures), LL ④ white/black 1 x socket, coding S (switch), LL ④ brown			Distribution connector for single-pole switch and two-way circuits, 1 x plug, coding A, LL ④ black/white 2 x socket, coding A, LL ④ black/white 2 x socket, coding A (lighting fixtures), LL ④ white/black 1 x socket, coding S (switch), LL ④ brown		
	● black	770-637	10	● black	770-638	10
	○ white	770-687	10	○ white	770-688	10

Item-Specific Accessories						
			Mounting plate, for distribution connectors		Mounting plate, for distribution connectors	
				black 770-623 25 white 770-673 25		black 770-623 25 white 770-673 25
			Fixing pin, for mounting plates		Fixing pin, for mounting plates	
				② black 890-601 250 ③ black 770-601 250		② black 890-601 250 ③ black 770-601 250
			Lockout cap, for socket, separable, 12-pole		Lockout cap, for socket, separable, 12-pole	
				black 770-201 100 white 770-221 100		black 770-201 100 white 770-221 100
			Lockout cap, for plug, separable, 5-pole		Lockout cap, for plug, separable, 5-pole	
				yellow 770-360 100		yellow 770-360 100



① For "International Certification Organizations" and "Approvals – User Guide", see pages 300 to 303.

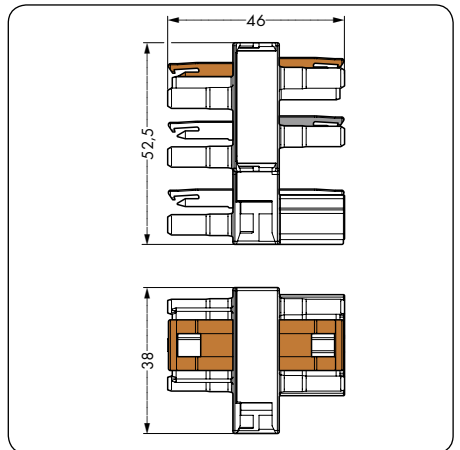
② 5.0 mm Ø, 0.2–1.2 mm plate thickness

③ 6.0 mm Ø, 1–2.5 mm plate thickness

④ LL = Locking lever

● black Coding A (L ⊕ N)
○ white Coding A (L ⊕ N)
● brown Coding S

For coding information, see pages 284 to 286.
Fire load data available upon request.



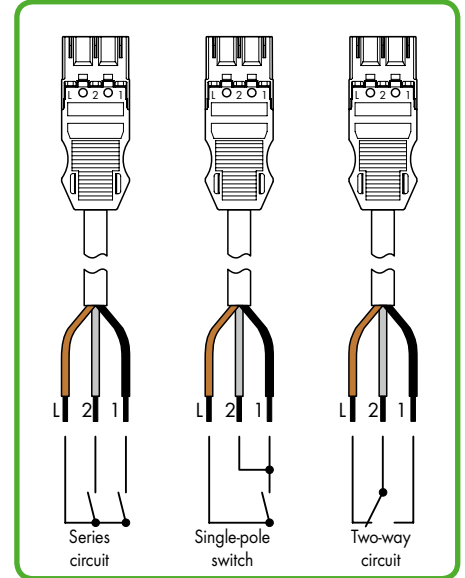
WINSTA® MIDI Shorting Plugs, 3-Pole

250 V/4 kV/3
I_N 25 A

Note:
Before finally connecting the switches, the shorting plugs may be used to switch on or off.

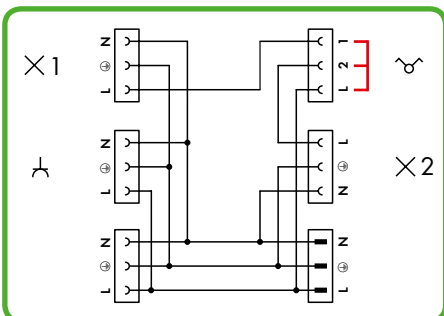
250 V/4 kV/3
I_N 25 A

Note:
If this shorting plug is connected to the 770-637 Distribution Connector as shown below, a motion sensor can be connected instead of the switch.

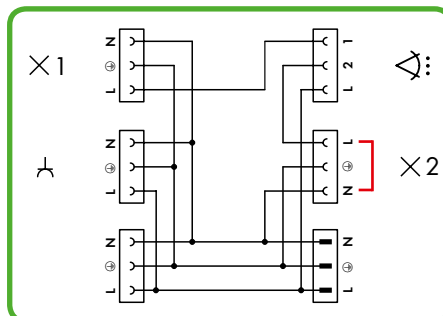


Cable assembly with coding S for connection to 770-637 and 770-638 Distribution Connectors.

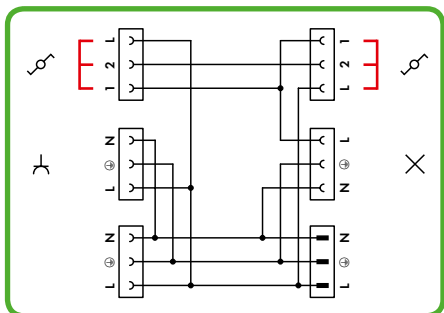
Marking	Item No.	Pack. Unit	Marking	Item No.	Pack. Unit
Shorting plug, brown plug with assembled strain relief housing			Shorting plug, coding A, black plug with assembled strain relief housing and bridge		
	770-1373/146-000	50		770-113/147-000	50
	770-1373/147-000	50			
	770-1373/148-000	50			
	770-1373/149-000	50			
Item-Specific Accessories					
Lockout cap, for plug, separable, 5-pole			Lockout cap, for plug, separable, 5-pole		
	yellow 770-360	100		yellow 770-360	100
Application Notes					



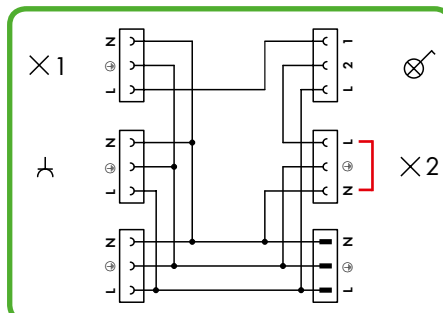
Internal circuit of 770-637 Distribution Connector with possible insertion position of 770-1373/14x-000 Shorting Plug.



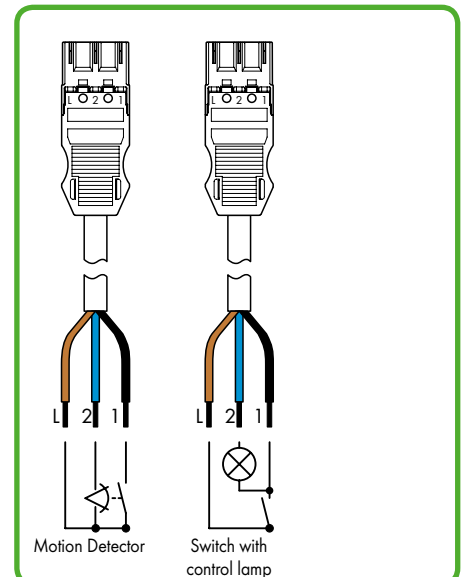
Internal circuit of 770-637 Distribution Connector with insertion position of 770-113/147-000 Shorting Plug for connecting a motion sensor.



Internal circuit of 770-638 Distribution Connector with possible insertion positions of 770-1373/14x-000 Shorting Plug.




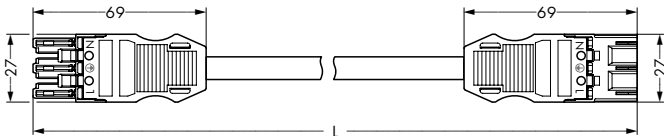

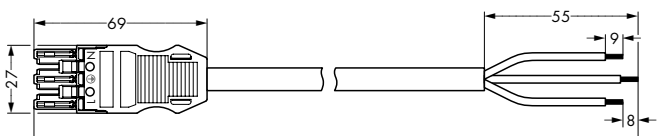







Internal circuit of 770-637 Distribution Connector with insertion position of 770-113/147-000 Shorting Plug for connecting a switch with control lamp.



Cable assembly with coding S for connection to 770-637 Distribution Connector when using 770-113/147-000 Shorting Plug.

WINSTA® MIDI Cable Assemblies 3 x 1.5 mm²


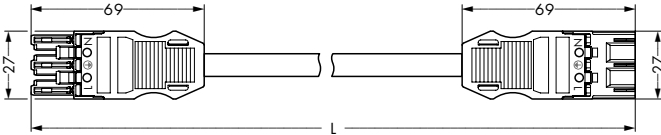

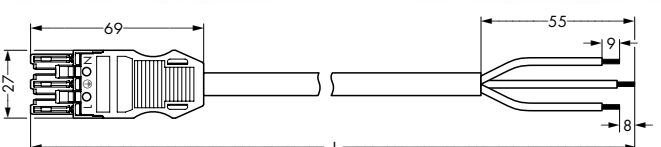

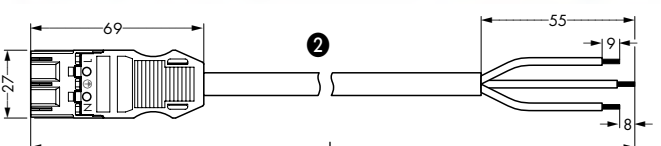



		PVC H05VV-F 3G1.5 halogen-free H05Z1Z1-F 3G1.5 250 V/4 kV/3 I _N 16 A Conductor ends, bonded: 9 mm/16 mm ① Approvals				
Interconnecting cable, socket – plug		Length	Item No. black	Item No. white	Item No. black	Item No. white
		● ○ Coding A PVC halogen-free				
		1 m	771-9993/006-101	771-9993/006-102	771-9993/016-101	771-9993/016-102
		2 m	771-9993/006-201	771-9993/006-202	771-9993/016-201	771-9993/016-202
		3 m	771-9993/006-301	771-9993/006-302	771-9993/016-301	771-9993/016-302
		4 m	771-9993/006-401	771-9993/006-402	771-9993/016-401	771-9993/016-402
		5 m	771-9993/006-501	771-9993/006-502	771-9993/016-501	771-9993/016-502
		6 m	771-9993/006-601	771-9993/006-602	771-9993/016-601	771-9993/016-602
		7 m	771-9993/006-701	771-9993/006-702	771-9993/016-701	771-9993/016-702
		8 m	771-9993/006-801	771-9993/006-802	771-9993/016-801	771-9993/016-802
Connecting cable, socket – free end		Length	Item No. black	Item No. white	Item No. black	Item No. white
		● ○ Coding A PVC halogen-free				
		1 m	771-9993/106-101	771-9993/106-102	771-9993/116-101	771-9993/116-102
		2 m	771-9993/106-201	771-9993/106-202	771-9993/116-201	771-9993/116-202
		3 m	771-9993/106-301	771-9993/106-302	771-9993/116-301	771-9993/116-302
		4 m	771-9993/106-401	771-9993/106-402	771-9993/116-401	771-9993/116-402
		5 m	771-9993/106-501	771-9993/106-502	771-9993/116-501	771-9993/116-502
		6 m	771-9993/106-601	771-9993/106-602	771-9993/116-601	771-9993/116-602
		7 m	771-9993/106-701	771-9993/106-702	771-9993/116-701	771-9993/116-702
		8 m	771-9993/106-801	771-9993/106-802	771-9993/116-801	771-9993/116-802
Connecting cable, plug – free end		Length	Item No. black	Item No. white	Item No. black	Item No. white
		● ○ Coding A ② PVC halogen-free				
		1 m	771-9993/206-101	771-9993/206-102	771-9993/216-101	771-9993/216-102
		2 m	771-9993/206-201	771-9993/206-202	771-9993/216-201	771-9993/216-202
		3 m	771-9993/206-301	771-9993/206-302	771-9993/216-301	771-9993/216-302
		4 m	771-9993/206-401	771-9993/206-402	771-9993/216-401	771-9993/216-402
		5 m	771-9993/206-501	771-9993/206-502	771-9993/216-501	771-9993/216-502
		6 m	771-9993/206-601	771-9993/206-602	771-9993/216-601	771-9993/216-602
		7 m	771-9993/206-701	771-9993/206-702	771-9993/216-701	771-9993/216-702
		8 m	771-9993/206-801	771-9993/206-802	771-9993/216-801	771-9993/216-802
		● Coding A ③ (for installation of switches and outlets)				
		1 m	771-9993/3206-101		771-9993/3216-101	
		2 m	771-9993/3206-201		771-9993/3216-201	
		3 m	771-9993/3206-301		771-9993/3216-301	
		4 m	771-9993/3206-401		771-9993/3216-401	
		5 m	771-9993/3206-501		771-9993/3216-501	
		6 m	771-9993/3206-601		771-9993/3216-601	
		7 m	771-9993/3206-701		771-9993/3216-701	
		8 m	771-9993/3206-801		771-9993/3216-801	
Info		Accessories				
① For "International Certification Organizations" and "Approvals – User Guide", see pages 300 to 303. Marine approvals (GL, LR, NV) relate exclusively to cables approved for marine applications. For other cables, please contact factory. ● black Coding A (L ⊕ N) ○ white Coding A (L ⊕ N) ● red Coding P (L ⊕ N) For coding information, see pages 284 to 286. Fire load data available upon request.		Locking lever, for "flying leads", manually operated				
				black	770-101	100 (4x25)
				white	770-121	100 (4x25)
		for "flying leads", tool operated				
				black	770-111	100 (4x25)
				white	770-131	100 (4x25)
		Lockout cap, for socket, separable, 12-pole				
				black	770-201	100
				white	770-221	100
		Lockout cap, for plug, separable, 5-pole				
		yellow	770-360	100		

		PVC	H05VV-F 3G1.5			
		halogen-free	H05Z1Z1-F 3G1.5			
		250 V/4 kV/3	I _N 16 A			
		Conductor ends, bonded: 9 mm				
		① Approvals				
Interconnecting cable, socket – plug		Length	Item No. black	Item No. white	Item No. black	Item No. white
		● Coding P		halogen-free		
		PVC				
		1 m	771-9973/006-101	771-9973/006-102	771-9973/016-101	771-9973/016-102
		2 m	771-9973/006-201	771-9973/006-202	771-9973/016-201	771-9973/016-202
		3 m	771-9973/006-301	771-9973/006-302	771-9973/016-301	771-9973/016-302
		4 m	771-9973/006-401	771-9973/006-402	771-9973/016-401	771-9973/016-402
		5 m	771-9973/006-501	771-9973/006-502	771-9973/016-501	771-9973/016-502
		6 m	771-9973/006-601	771-9973/006-602	771-9973/016-601	771-9973/016-602
		7 m	771-9973/006-701	771-9973/006-702	771-9973/016-701	771-9973/016-702
		8 m	771-9973/006-801	771-9973/006-802	771-9973/016-801	771-9973/016-802
Connecting cable, socket – free end		Length	Item No. black	Item No. white	Item No. black	Item No. white
		● Coding P		halogen-free		
		PVC				
		1 m	771-9973/106-101	771-9973/106-102	771-9973/116-101	771-9973/116-102
		2 m	771-9973/106-201	771-9973/106-202	771-9973/116-201	771-9973/116-202
		3 m	771-9973/106-301	771-9973/106-302	771-9973/116-301	771-9973/116-302
		4 m	771-9973/106-401	771-9973/106-402	771-9973/116-401	771-9973/116-402
		5 m	771-9973/106-501	771-9973/106-502	771-9973/116-501	771-9973/116-502
		6 m	771-9973/106-601	771-9973/106-602	771-9973/116-601	771-9973/116-602
		7 m	771-9973/106-701	771-9973/106-702	771-9973/116-701	771-9973/116-702
		8 m	771-9973/106-801	771-9973/106-802	771-9973/116-801	771-9973/116-802
Connecting cable, plug – free end		Length	Item No. black	Item No. white	Item No. black	Item No. white
		● Coding P		halogen-free		
		PVC				
		1 m	771-9973/206-101	771-9973/206-102	771-9973/216-101	771-9973/216-102
		2 m	771-9973/206-201	771-9973/206-202	771-9973/216-201	771-9973/216-202
		3 m	771-9973/206-301	771-9973/206-302	771-9973/216-301	771-9973/216-302
		4 m	771-9973/206-401	771-9973/206-402	771-9973/216-401	771-9973/216-402
		5 m	771-9973/206-501	771-9973/206-502	771-9973/216-501	771-9973/216-502
		6 m	771-9973/206-601	771-9973/206-602	771-9973/216-601	771-9973/216-602
		7 m	771-9973/206-701	771-9973/206-702	771-9973/216-701	771-9973/216-702
		8 m	771-9973/206-801	771-9973/206-802	771-9973/216-801	771-9973/216-802
		Accessories				
		Locking lever, for "flying leads",				
		manually operated				
			black	770-101	100	(4x25)
			white	770-121	100	(4x25)
		Locking lever, for "flying leads",				
		tool operated				
			black	770-111	100	(4x25)
			white	770-131	100	(4x25)
		Lockout cap, for socket, separable, 12-pole				
			black	770-201	100	
			white	770-221	100	
Coding pin, for plug (A and B coding)		Lockout cap, for plug, separable, 5-pole				
		gray	770-401	100		
						
			yellow	770-360	100	

		<p>PVC H05VV-F 3x1.5 halogen-free H05Z1Z1-F 3x1.5</p> <p>250 V/4 kV/3 I_N 16 A</p> <p>Conductor ends, bonded: 11 mm</p> <p>① Approvals</p>																								
Interconnecting cable, socket – plug		<p>Length Item No. black Item No. black</p> <p>● Coding S</p> <p>PVC halogen-free</p> <table border="1"> <tr><td>1 m</td><td>771-9973/006-105</td><td>771-9973/016-105</td></tr> <tr><td>2 m</td><td>771-9973/006-205</td><td>771-9973/016-205</td></tr> <tr><td>3 m</td><td>771-9973/006-305</td><td>771-9973/016-305</td></tr> <tr><td>4 m</td><td>771-9973/006-405</td><td>771-9973/016-405</td></tr> <tr><td>5 m</td><td>771-9973/006-505</td><td>771-9973/016-505</td></tr> <tr><td>6 m</td><td>771-9973/006-605</td><td>771-9973/016-605</td></tr> <tr><td>7 m</td><td>771-9973/006-705</td><td>771-9973/016-705</td></tr> <tr><td>8 m</td><td>771-9973/006-805</td><td>771-9973/016-805</td></tr> </table>	1 m	771-9973/006-105	771-9973/016-105	2 m	771-9973/006-205	771-9973/016-205	3 m	771-9973/006-305	771-9973/016-305	4 m	771-9973/006-405	771-9973/016-405	5 m	771-9973/006-505	771-9973/016-505	6 m	771-9973/006-605	771-9973/016-605	7 m	771-9973/006-705	771-9973/016-705	8 m	771-9973/006-805	771-9973/016-805
1 m	771-9973/006-105	771-9973/016-105																								
2 m	771-9973/006-205	771-9973/016-205																								
3 m	771-9973/006-305	771-9973/016-305																								
4 m	771-9973/006-405	771-9973/016-405																								
5 m	771-9973/006-505	771-9973/016-505																								
6 m	771-9973/006-605	771-9973/016-605																								
7 m	771-9973/006-705	771-9973/016-705																								
8 m	771-9973/006-805	771-9973/016-805																								
Connecting cable, plug – free end ②		<p>Length Item No. black Item No. black</p> <p>● Coding S, for distribution connectors (series and two-way circuits)</p> <p>PVC halogen-free</p> <table border="1"> <tr><td>1 m</td><td>771-9973/206-105</td><td>771-9973/216-105</td></tr> <tr><td>2 m</td><td>771-9973/206-205</td><td>771-9973/216-205</td></tr> <tr><td>3 m</td><td>771-9973/206-305</td><td>771-9973/216-305</td></tr> <tr><td>4 m</td><td>771-9973/206-405</td><td>771-9973/216-405</td></tr> <tr><td>5 m</td><td>771-9973/206-505</td><td>771-9973/216-505</td></tr> <tr><td>6 m</td><td>771-9973/206-605</td><td>771-9973/216-605</td></tr> <tr><td>7 m</td><td>771-9973/206-705</td><td>771-9973/216-705</td></tr> <tr><td>8 m</td><td>771-9973/206-805</td><td>771-9973/216-805</td></tr> </table>	1 m	771-9973/206-105	771-9973/216-105	2 m	771-9973/206-205	771-9973/216-205	3 m	771-9973/206-305	771-9973/216-305	4 m	771-9973/206-405	771-9973/216-405	5 m	771-9973/206-505	771-9973/216-505	6 m	771-9973/206-605	771-9973/216-605	7 m	771-9973/206-705	771-9973/216-705	8 m	771-9973/206-805	771-9973/216-805
1 m	771-9973/206-105	771-9973/216-105																								
2 m	771-9973/206-205	771-9973/216-205																								
3 m	771-9973/206-305	771-9973/216-305																								
4 m	771-9973/206-405	771-9973/216-405																								
5 m	771-9973/206-505	771-9973/216-505																								
6 m	771-9973/206-605	771-9973/216-605																								
7 m	771-9973/206-705	771-9973/216-705																								
8 m	771-9973/206-805	771-9973/216-805																								
Connecting cable, plug – free end ②		<p>Length Item No. black Item No. black</p> <p>● Coding S, for distribution connector (motion sensor)</p> <p>PVC halogen-free</p> <table border="1"> <tr><td>1 m</td><td>771-9973/206-104</td><td>771-9973/216-104</td></tr> <tr><td>2 m</td><td>771-9973/206-204</td><td>771-9973/216-204</td></tr> <tr><td>3 m</td><td>771-9973/206-304</td><td>771-9973/216-304</td></tr> <tr><td>4 m</td><td>771-9973/206-404</td><td>771-9973/216-404</td></tr> <tr><td>5 m</td><td>771-9973/206-504</td><td>771-9973/216-504</td></tr> <tr><td>6 m</td><td>771-9973/206-604</td><td>771-9973/216-604</td></tr> <tr><td>7 m</td><td>771-9973/206-704</td><td>771-9973/216-704</td></tr> <tr><td>8 m</td><td>771-9973/206-804</td><td>771-9973/216-804</td></tr> </table>	1 m	771-9973/206-104	771-9973/216-104	2 m	771-9973/206-204	771-9973/216-204	3 m	771-9973/206-304	771-9973/216-304	4 m	771-9973/206-404	771-9973/216-404	5 m	771-9973/206-504	771-9973/216-504	6 m	771-9973/206-604	771-9973/216-604	7 m	771-9973/206-704	771-9973/216-704	8 m	771-9973/206-804	771-9973/216-804
1 m	771-9973/206-104	771-9973/216-104																								
2 m	771-9973/206-204	771-9973/216-204																								
3 m	771-9973/206-304	771-9973/216-304																								
4 m	771-9973/206-404	771-9973/216-404																								
5 m	771-9973/206-504	771-9973/216-504																								
6 m	771-9973/206-604	771-9973/216-604																								
7 m	771-9973/206-704	771-9973/216-704																								
8 m	771-9973/206-804	771-9973/216-804																								
Info		Accessories																								
<p>① For “International Certification Organizations” and “Approvals – User Guide”, see pages 300 to 303. Marine approvals (GL, LR, NV) relate exclusively to cables approved for marine applications. For other cables, please contact factory.</p> <p>② PVC H05VV-F 3 x 1.5 halogen-free H05Z1Z1-F 3 x 1.5</p> <p>● brown Coding S (L 2 1)</p> <p>For coding information, see pages 284 to 286. Fire load data available upon request.</p>		<p>Locking lever, for “flying leads”, manually operated</p> <table border="1"> <tr><td>black</td><td>770-101</td><td>100 (4x25)</td></tr> <tr><td>white</td><td>770-121</td><td>100 (4x25)</td></tr> </table> <p>Locking lever, for “flying leads”, tool operated</p> <table border="1"> <tr><td>black</td><td>770-111</td><td>100 (4x25)</td></tr> <tr><td>white</td><td>770-131</td><td>100 (4x25)</td></tr> </table> <p>Lockout cap, for socket, separable, 12-pole</p> <table border="1"> <tr><td>black</td><td>770-201</td><td>100</td></tr> <tr><td>white</td><td>770-221</td><td>100</td></tr> </table> <p>Lockout cap, for plug, separable, 5-pole</p> <table border="1"> <tr><td>yellow</td><td>770-360</td><td>100</td></tr> </table>	black	770-101	100 (4x25)	white	770-121	100 (4x25)	black	770-111	100 (4x25)	white	770-131	100 (4x25)	black	770-201	100	white	770-221	100	yellow	770-360	100			
black	770-101	100 (4x25)																								
white	770-121	100 (4x25)																								
black	770-111	100 (4x25)																								
white	770-131	100 (4x25)																								
black	770-201	100																								
white	770-221	100																								
yellow	770-360	100																								



WINSTA® MIDI Cable Assemblies 3 x 2.5 mm²

		PVC	H05VV-F 3G2.5				
		halogen-free	H05Z1Z1-F 3G2.5				
		250 V/4 kV/3 I _N 20 A					
		Conductor ends, bonded: 9 mm/16 mm					
		① Approvals					
Interconnecting cable, socket – plug		Length	Item No. black	Item No. white	Item No. black	Item No. white	
		● ○ Coding A		halogen-free			
		PVC		halogen-free			
		1 m	771-9993/007-101	771-9993/007-102	771-9993/017-101	771-9993/017-102	
		2 m	771-9993/007-201	771-9993/007-202	771-9993/017-201	771-9993/017-202	
		3 m	771-9993/007-301	771-9993/007-302	771-9993/017-301	771-9993/017-302	
		4 m	771-9993/007-401	771-9993/007-402	771-9993/017-401	771-9993/017-402	
		5 m	771-9993/007-501	771-9993/007-502	771-9993/017-501	771-9993/017-502	
		6 m	771-9993/007-601	771-9993/007-602	771-9993/017-601	771-9993/017-602	
		7 m	771-9993/007-701	771-9993/007-702	771-9993/017-701	771-9993/017-702	
		8 m	771-9993/007-801	771-9993/007-802	771-9993/017-801	771-9993/017-802	
Connecting cable, socket – free end		Length	Item No. black	Item No. white	Item No. black	Item No. white	
		● ○ Coding A		halogen-free			
		PVC		halogen-free			
		1 m	771-9993/107-101	771-9993/107-102	771-9993/117-101	771-9993/117-102	
		2 m	771-9993/107-201	771-9993/107-202	771-9993/117-201	771-9993/117-202	
		3 m	771-9993/107-301	771-9993/107-302	771-9993/117-301	771-9993/117-302	
		4 m	771-9993/107-401	771-9993/107-402	771-9993/117-401	771-9993/117-402	
		5 m	771-9993/107-501	771-9993/107-502	771-9993/117-501	771-9993/117-502	
		6 m	771-9993/107-601	771-9993/107-602	771-9993/117-601	771-9993/117-602	
		7 m	771-9993/107-701	771-9993/107-702	771-9993/117-701	771-9993/117-702	
		8 m	771-9993/107-801	771-9993/107-802	771-9993/117-801	771-9993/117-802	
Connecting cable, plug – free end		Length	Item No. black	Item No. white	Item No. black	Item No. white	
		● ○ Coding A ②		halogen-free			
		PVC		halogen-free			
		1 m	771-9993/207-101	771-9993/207-102	771-9993/217-101	771-9993/217-102	
		2 m	771-9993/207-201	771-9993/207-202	771-9993/217-201	771-9993/217-202	
		3 m	771-9993/207-301	771-9993/207-302	771-9993/217-301	771-9993/217-302	
		4 m	771-9993/207-401	771-9993/207-402	771-9993/217-401	771-9993/217-402	
		5 m	771-9993/207-501	771-9993/207-502	771-9993/217-501	771-9993/217-502	
		6 m	771-9993/207-601	771-9993/207-602	771-9993/217-601	771-9993/217-602	
		7 m	771-9993/207-701	771-9993/207-702	771-9993/217-701	771-9993/217-702	
		8 m	771-9993/207-801	771-9993/207-802	771-9993/217-801	771-9993/217-802	
		● Coding A ③ (for installation of switches and outlets)					
		1 m	771-9993/3207-101		771-9993/3217-101		
		2 m	771-9993/3207-201		771-9993/3217-201		
		3 m	771-9993/3207-301		771-9993/3217-301		
		4 m	771-9993/3207-401		771-9993/3217-401		
		5 m	771-9993/3207-501		771-9993/3217-501		
		6 m	771-9993/3207-601		771-9993/3217-601		
		7 m	771-9993/3207-701		771-9993/3217-701		
		8 m	771-9993/3207-801		771-9993/3217-801		
Info		Accessories					
<p>① For "International Certification Organizations" and "Approvals – User Guide", see pages 300 to 303. Marine approvals (GL, LR, NV) relate exclusively to cables approved for marine applications. For other cables, please contact factory.</p> <p>● black Coding A (L ⊕ N) ○ white Coding A (L ⊕ N) ● red Coding P (L ⊕ N)</p> <p>For coding information, see pages 284 to 286. Fire load data available upon request.</p>		Locking lever, for "flying leads", manually operated					
				black	770-101	100 (4x25)	
				white	770-121	100 (4x25)	
		for "flying leads", tool operated					
				black	770-111	100 (4x25)	
				white	770-131	100 (4x25)	
		Lockout cap, for socket, separable, 12-pole					
				black	770-201	100	
				white	770-221	100	
		Lockout cap, for plug, separable, 5-pole					
		yellow	770-360	100			

① For "International Certification Organizations" and "Approvals – User Guide", see pages 300 to 303.

Marine approvals (GL, LR, NV) relate exclusively to cables approved for marine applications.


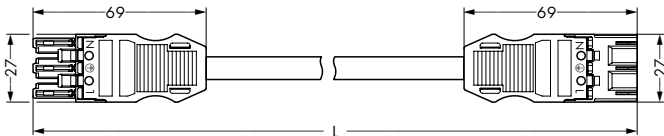

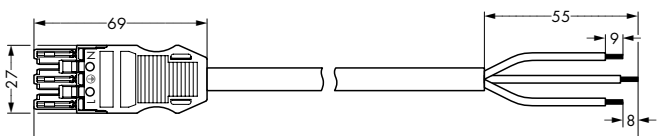







For other cables, please contact factory.

- black Coding A (L ⊕ N)
- white Coding A (L ⊕ N)
- red Coding P (L ⊕ N)

For coding information, see pages 284 to 286.

Fire load data available upon request.

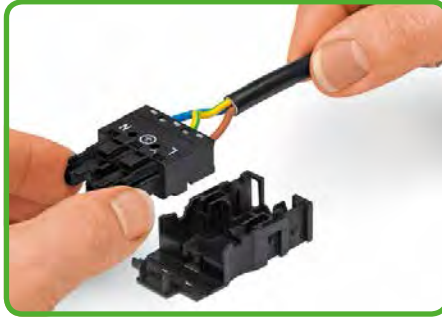
Recommended items are shown in red and available for immediate delivery!

		PVC halogen-free	H05VV-F 3G2.5 H05Z1Z1-F 3G2.5			
		250 V/4 kV/3 I _N 20 A				
		Conductor ends, bonded: 9 mm				
		① Approvals				
Interconnecting cable, socket – plug		Length	Item No. black	Item No. white	Item No. black	Item No. white
		● Coding P		halogen-free		
		PVC				
		1 m	771-9973/007-101	771-9973/007-102	771-9973/017-101	771-9973/017-102
		2 m	771-9973/007-201	771-9973/007-202	771-9973/017-201	771-9973/017-202
		3 m	771-9973/007-301	771-9973/007-302	771-9973/017-301	771-9973/017-302
		4 m	771-9973/007-401	771-9973/007-402	771-9973/017-401	771-9973/017-402
		5 m	771-9973/007-501	771-9973/007-502	771-9973/017-501	771-9973/017-502
		6 m	771-9973/007-601	771-9973/007-602	771-9973/017-601	771-9973/017-602
		7 m	771-9973/007-701	771-9973/007-702	771-9973/017-701	771-9973/017-702
		8 m	771-9973/007-801	771-9973/007-802	771-9973/017-801	771-9973/017-802
Connecting cable, socket – free end		Length	Item No. black	Item No. white	Item No. black	Item No. white
		● Coding P		halogen-free		
		PVC				
		1 m	771-9973/107-101	771-9973/107-102	771-9973/117-101	771-9973/117-102
		2 m	771-9973/107-201	771-9973/107-202	771-9973/117-201	771-9973/117-202
		3 m	771-9973/107-301	771-9973/107-302	771-9973/117-301	771-9973/117-302
		4 m	771-9973/107-401	771-9973/107-402	771-9973/117-401	771-9973/117-402
		5 m	771-9973/107-501	771-9973/107-502	771-9973/117-501	771-9973/117-502
		6 m	771-9973/107-601	771-9973/107-602	771-9973/117-601	771-9973/117-602
		7 m	771-9973/107-701	771-9973/107-702	771-9973/117-701	771-9973/117-702
		8 m	771-9973/107-801	771-9973/107-802	771-9973/117-801	771-9973/117-802
Connecting cable, plug – free end		Length	Item No. black	Item No. white	Item No. black	Item No. white
		● Coding P		halogen-free		
		PVC				
		1 m	771-9973/207-101	771-9973/207-102	771-9973/217-101	771-9973/217-102
		2 m	771-9973/207-201	771-9973/207-202	771-9973/217-201	771-9973/217-202
		3 m	771-9973/207-301	771-9973/207-302	771-9973/217-301	771-9973/217-302
		4 m	771-9973/207-401	771-9973/207-402	771-9973/217-401	771-9973/217-402
		5 m	771-9973/207-501	771-9973/207-502	771-9973/217-501	771-9973/217-502
		6 m	771-9973/207-601	771-9973/207-602	771-9973/217-601	771-9973/217-602
		7 m	771-9973/207-701	771-9973/207-702	771-9973/217-701	771-9973/217-702
		8 m	771-9973/207-801	771-9973/207-802	771-9973/217-801	771-9973/217-802
		Accessories				
		Locking lever, for "flying leads",				
		manually operated				
			black	770-101	100	(4x25)
			white	770-121	100	(4x25)
		Locking lever, for "flying leads",				
		tool operated				
			black	770-111	100	(4x25)
			white	770-131	100	(4x25)
		Lockout cap, for socket, separable, 12-pole				
			black	770-201	100	
			white	770-221	100	
Coding pin, for plug (A and B coding)		Lockout cap, for plug, separable, 5-pole				
		gray	770-401	100		
						
			yellow	770-360	100	

WINSTA® MIDI IP 2XD, for Easily Accessible Areas



To terminate fine-stranded conductors, open clamping unit via 2.5 mm screwdriver and insert stripped conductor until it hits backstop. Solid conductors can be connected via push-in termination.



Insert wired connector onto the base of the strain relief housing.

Strain relief installation



Prepare strain relief housing by snapping together upper and bottom part.

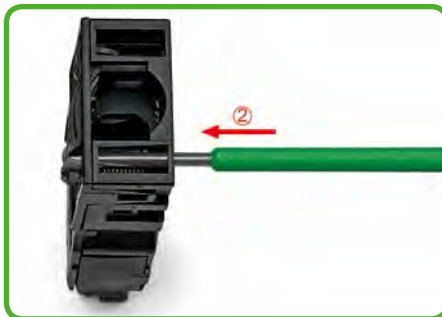


Push down strain relief clamp via 2.5 mm screwdriver alternately on both sides.

Strain relief removal



First, unlock strain relief clamp via 2.5 mm screwdriver from the bottom.



Then, push strain relief clamp via 2.5 mm screwdriver out of the locking position.

Strain relief removal



Finally, unlock strain relief housing via 2.5 mm screwdriver on both sides.

WINSTA® MIDI IP 2XD, for Easily Accessible Areas Cable Assemblies 3 x 1.5 mm²

	PVC H05VV-F 3G1.5 halogen-free H05Z1Z1-F 3G1.5 250 V/4 kV/3 I _N 16 A Conductor ends, bonded: 9 mm ① Approvals																																																							
Interconnecting cable, socket – plug	<table border="1"> <thead> <tr> <th>Length</th> <th>Item No. black</th> <th>Item No. white</th> <th>Item No. black</th> <th>Item No. white</th> </tr> </thead> <tbody> <tr> <td colspan="5">● ○ Coding A</td> </tr> <tr> <td colspan="2">PVC</td> <td colspan="3">halogen-free</td> </tr> <tr><td>1 m</td><td>771-6993/006-101</td><td>771-6993/006-102</td><td>771-6993/016-101</td><td>771-6993/016-102</td></tr> <tr><td>2 m</td><td>771-6993/006-201</td><td>771-6993/006-202</td><td>771-6993/016-201</td><td>771-6993/016-202</td></tr> <tr><td>3 m</td><td>771-6993/006-301</td><td>771-6993/006-302</td><td>771-6993/016-301</td><td>771-6993/016-302</td></tr> <tr><td>4 m</td><td>771-6993/006-401</td><td>771-6993/006-402</td><td>771-6993/016-401</td><td>771-6993/016-402</td></tr> <tr><td>5 m</td><td>771-6993/006-501</td><td>771-6993/006-502</td><td>771-6993/016-501</td><td>771-6993/016-502</td></tr> <tr><td>6 m</td><td>771-6993/006-601</td><td>771-6993/006-602</td><td>771-6993/016-601</td><td>771-6993/016-602</td></tr> <tr><td>7 m</td><td>771-6993/006-701</td><td>771-6993/006-702</td><td>771-6993/016-701</td><td>771-6993/016-702</td></tr> <tr><td>8 m</td><td>771-6993/006-801</td><td>771-6993/006-802</td><td>771-6993/016-801</td><td>771-6993/016-802</td></tr> </tbody> </table>	Length	Item No. black	Item No. white	Item No. black	Item No. white	● ○ Coding A					PVC		halogen-free			1 m	771-6993/006-101	771-6993/006-102	771-6993/016-101	771-6993/016-102	2 m	771-6993/006-201	771-6993/006-202	771-6993/016-201	771-6993/016-202	3 m	771-6993/006-301	771-6993/006-302	771-6993/016-301	771-6993/016-302	4 m	771-6993/006-401	771-6993/006-402	771-6993/016-401	771-6993/016-402	5 m	771-6993/006-501	771-6993/006-502	771-6993/016-501	771-6993/016-502	6 m	771-6993/006-601	771-6993/006-602	771-6993/016-601	771-6993/016-602	7 m	771-6993/006-701	771-6993/006-702	771-6993/016-701	771-6993/016-702	8 m	771-6993/006-801	771-6993/006-802	771-6993/016-801	771-6993/016-802
Length	Item No. black	Item No. white	Item No. black	Item No. white																																																				
● ○ Coding A																																																								
PVC		halogen-free																																																						
1 m	771-6993/006-101	771-6993/006-102	771-6993/016-101	771-6993/016-102																																																				
2 m	771-6993/006-201	771-6993/006-202	771-6993/016-201	771-6993/016-202																																																				
3 m	771-6993/006-301	771-6993/006-302	771-6993/016-301	771-6993/016-302																																																				
4 m	771-6993/006-401	771-6993/006-402	771-6993/016-401	771-6993/016-402																																																				
5 m	771-6993/006-501	771-6993/006-502	771-6993/016-501	771-6993/016-502																																																				
6 m	771-6993/006-601	771-6993/006-602	771-6993/016-601	771-6993/016-602																																																				
7 m	771-6993/006-701	771-6993/006-702	771-6993/016-701	771-6993/016-702																																																				
8 m	771-6993/006-801	771-6993/006-802	771-6993/016-801	771-6993/016-802																																																				
Connecting cable, socket – free end	<table border="1"> <thead> <tr> <th>Length</th> <th>Item No. black</th> <th>Item No. white</th> <th>Item No. black</th> <th>Item No. white</th> </tr> </thead> <tbody> <tr> <td colspan="5">● ○ Coding A</td> </tr> <tr> <td colspan="2">PVC</td> <td colspan="3">halogen-free</td> </tr> <tr><td>1 m</td><td>771-6993/106-101</td><td>771-6993/106-102</td><td>771-6993/116-101</td><td>771-6993/116-102</td></tr> <tr><td>2 m</td><td>771-6993/106-201</td><td>771-6993/106-202</td><td>771-6993/116-201</td><td>771-6993/116-202</td></tr> <tr><td>3 m</td><td>771-6993/106-301</td><td>771-6993/106-302</td><td>771-6993/116-301</td><td>771-6993/116-302</td></tr> <tr><td>4 m</td><td>771-6993/106-401</td><td>771-6993/106-402</td><td>771-6993/116-401</td><td>771-6993/116-402</td></tr> <tr><td>5 m</td><td>771-6993/106-501</td><td>771-6993/106-502</td><td>771-6993/116-501</td><td>771-6993/116-502</td></tr> <tr><td>6 m</td><td>771-6993/106-601</td><td>771-6993/106-602</td><td>771-6993/116-601</td><td>771-6993/116-602</td></tr> <tr><td>7 m</td><td>771-6993/106-701</td><td>771-6993/106-702</td><td>771-6993/116-701</td><td>771-6993/116-702</td></tr> <tr><td>8 m</td><td>771-6993/106-801</td><td>771-6993/106-802</td><td>771-6993/116-801</td><td>771-6993/116-802</td></tr> </tbody> </table>	Length	Item No. black	Item No. white	Item No. black	Item No. white	● ○ Coding A					PVC		halogen-free			1 m	771-6993/106-101	771-6993/106-102	771-6993/116-101	771-6993/116-102	2 m	771-6993/106-201	771-6993/106-202	771-6993/116-201	771-6993/116-202	3 m	771-6993/106-301	771-6993/106-302	771-6993/116-301	771-6993/116-302	4 m	771-6993/106-401	771-6993/106-402	771-6993/116-401	771-6993/116-402	5 m	771-6993/106-501	771-6993/106-502	771-6993/116-501	771-6993/116-502	6 m	771-6993/106-601	771-6993/106-602	771-6993/116-601	771-6993/116-602	7 m	771-6993/106-701	771-6993/106-702	771-6993/116-701	771-6993/116-702	8 m	771-6993/106-801	771-6993/106-802	771-6993/116-801	771-6993/116-802
Length	Item No. black	Item No. white	Item No. black	Item No. white																																																				
● ○ Coding A																																																								
PVC		halogen-free																																																						
1 m	771-6993/106-101	771-6993/106-102	771-6993/116-101	771-6993/116-102																																																				
2 m	771-6993/106-201	771-6993/106-202	771-6993/116-201	771-6993/116-202																																																				
3 m	771-6993/106-301	771-6993/106-302	771-6993/116-301	771-6993/116-302																																																				
4 m	771-6993/106-401	771-6993/106-402	771-6993/116-401	771-6993/116-402																																																				
5 m	771-6993/106-501	771-6993/106-502	771-6993/116-501	771-6993/116-502																																																				
6 m	771-6993/106-601	771-6993/106-602	771-6993/116-601	771-6993/116-602																																																				
7 m	771-6993/106-701	771-6993/106-702	771-6993/116-701	771-6993/116-702																																																				
8 m	771-6993/106-801	771-6993/106-802	771-6993/116-801	771-6993/116-802																																																				
Connecting cable, plug – free end	<table border="1"> <thead> <tr> <th>Length</th> <th>Item No. black</th> <th>Item No. white</th> <th>Item No. black</th> <th>Item No. white</th> </tr> </thead> <tbody> <tr> <td colspan="5">● ○ Coding A</td> </tr> <tr> <td colspan="2">PVC</td> <td colspan="3">halogen-free</td> </tr> <tr><td>1 m</td><td>771-6993/206-101</td><td>771-6993/206-102</td><td>771-6993/216-101</td><td>771-6993/216-102</td></tr> <tr><td>2 m</td><td>771-6993/206-201</td><td>771-6993/206-202</td><td>771-6993/216-201</td><td>771-6993/216-202</td></tr> <tr><td>3 m</td><td>771-6993/206-301</td><td>771-6993/206-302</td><td>771-6993/216-301</td><td>771-6993/216-302</td></tr> <tr><td>4 m</td><td>771-6993/206-401</td><td>771-6993/206-402</td><td>771-6993/216-401</td><td>771-6993/216-402</td></tr> <tr><td>5 m</td><td>771-6993/206-501</td><td>771-6993/206-502</td><td>771-6993/216-501</td><td>771-6993/216-502</td></tr> <tr><td>6 m</td><td>771-6993/206-601</td><td>771-6993/206-602</td><td>771-6993/216-601</td><td>771-6993/216-602</td></tr> <tr><td>7 m</td><td>771-6993/206-701</td><td>771-6993/206-702</td><td>771-6993/216-701</td><td>771-6993/216-702</td></tr> <tr><td>8 m</td><td>771-6993/206-801</td><td>771-6993/206-802</td><td>771-6993/216-801</td><td>771-6993/216-802</td></tr> </tbody> </table>	Length	Item No. black	Item No. white	Item No. black	Item No. white	● ○ Coding A					PVC		halogen-free			1 m	771-6993/206-101	771-6993/206-102	771-6993/216-101	771-6993/216-102	2 m	771-6993/206-201	771-6993/206-202	771-6993/216-201	771-6993/216-202	3 m	771-6993/206-301	771-6993/206-302	771-6993/216-301	771-6993/216-302	4 m	771-6993/206-401	771-6993/206-402	771-6993/216-401	771-6993/216-402	5 m	771-6993/206-501	771-6993/206-502	771-6993/216-501	771-6993/216-502	6 m	771-6993/206-601	771-6993/206-602	771-6993/216-601	771-6993/216-602	7 m	771-6993/206-701	771-6993/206-702	771-6993/216-701	771-6993/216-702	8 m	771-6993/206-801	771-6993/206-802	771-6993/216-801	771-6993/216-802
Length	Item No. black	Item No. white	Item No. black	Item No. white																																																				
● ○ Coding A																																																								
PVC		halogen-free																																																						
1 m	771-6993/206-101	771-6993/206-102	771-6993/216-101	771-6993/216-102																																																				
2 m	771-6993/206-201	771-6993/206-202	771-6993/216-201	771-6993/216-202																																																				
3 m	771-6993/206-301	771-6993/206-302	771-6993/216-301	771-6993/216-302																																																				
4 m	771-6993/206-401	771-6993/206-402	771-6993/216-401	771-6993/216-402																																																				
5 m	771-6993/206-501	771-6993/206-502	771-6993/216-501	771-6993/216-502																																																				
6 m	771-6993/206-601	771-6993/206-602	771-6993/216-601	771-6993/216-602																																																				
7 m	771-6993/206-701	771-6993/206-702	771-6993/216-701	771-6993/216-702																																																				
8 m	771-6993/206-801	771-6993/206-802	771-6993/216-801	771-6993/216-802																																																				
Info	Accessories																																																							


① For "International Certification Organizations" and "Approvals – User Guide", see pages 300 to 303.

Marine approvals (GL, LR, NV) relate exclusively to cables approved for marine applications. For other cables, please contact factory.


- black Coding A (L ⊕ N)
- white Coding A (L ⊕ N)

For coding information, see pages 284 to 286.
Fire load data available upon request.


Locking lever, for "flying leads",

	manually operated		
	black	770-101	100 (4x25)
	white	770-121	100 (4x25)


Locking lever, for "flying leads",

	tool operated		
	black	770-111	100 (4x25)
	white	770-131	100 (4x25)

Lockout cap, for socket, separable, 12-pole

	black	770-201	100
	white	770-221	100

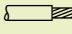
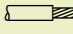
Lockout cap, for plug, separable, 5-pole

	yellow	770-360	100
---	--------	---------	-----

WINSTA® MIDI
IP 2XD, for Easily Accessible Areas
Cable Assemblies 3 x 2.5 mm²




	<p>PVC H05VV-F 3G2.5 halogen-free H05Z1Z1-F 3G2.5</p> <p>250 V/4 kV/3 I_N 20 A</p> <p>Conductor ends, bonded: 9 mm</p> <p>① Approvals</p>																																																							
Interconnecting cable, socket – plug	<table border="1"> <thead> <tr> <th>Length</th> <th>Item No. black</th> <th>Item No. white</th> <th>Item No. black</th> <th>Item No. white</th> </tr> </thead> <tbody> <tr> <td colspan="5">● ○ Coding A</td> </tr> <tr> <td colspan="2">PVC</td> <td colspan="3">halogen-free</td> </tr> <tr> <td>1 m</td> <td>771-6993/007-101</td> <td>771-6993/007-102</td> <td>771-6993/017-101</td> <td>771-6993/017-102</td> </tr> <tr> <td>2 m</td> <td>771-6993/007-201</td> <td>771-6993/007-202</td> <td>771-6993/017-201</td> <td>771-6993/017-202</td> </tr> <tr> <td>3 m</td> <td>771-6993/007-301</td> <td>771-6993/007-302</td> <td>771-6993/017-301</td> <td>771-6993/017-302</td> </tr> <tr> <td>4 m</td> <td>771-6993/007-401</td> <td>771-6993/007-402</td> <td>771-6993/017-401</td> <td>771-6993/017-402</td> </tr> <tr> <td>5 m</td> <td>771-6993/007-501</td> <td>771-6993/007-502</td> <td>771-6993/017-501</td> <td>771-6993/017-502</td> </tr> <tr> <td>6 m</td> <td>771-6993/007-601</td> <td>771-6993/007-602</td> <td>771-6993/017-601</td> <td>771-6993/017-602</td> </tr> <tr> <td>7 m</td> <td>771-6993/007-701</td> <td>771-6993/007-702</td> <td>771-6993/017-701</td> <td>771-6993/017-702</td> </tr> <tr> <td>8 m</td> <td>771-6993/007-801</td> <td>771-6993/007-802</td> <td>771-6993/017-801</td> <td>771-6993/017-802</td> </tr> </tbody> </table>	Length	Item No. black	Item No. white	Item No. black	Item No. white	● ○ Coding A					PVC		halogen-free			1 m	771-6993/007-101	771-6993/007-102	771-6993/017-101	771-6993/017-102	2 m	771-6993/007-201	771-6993/007-202	771-6993/017-201	771-6993/017-202	3 m	771-6993/007-301	771-6993/007-302	771-6993/017-301	771-6993/017-302	4 m	771-6993/007-401	771-6993/007-402	771-6993/017-401	771-6993/017-402	5 m	771-6993/007-501	771-6993/007-502	771-6993/017-501	771-6993/017-502	6 m	771-6993/007-601	771-6993/007-602	771-6993/017-601	771-6993/017-602	7 m	771-6993/007-701	771-6993/007-702	771-6993/017-701	771-6993/017-702	8 m	771-6993/007-801	771-6993/007-802	771-6993/017-801	771-6993/017-802
Length	Item No. black	Item No. white	Item No. black	Item No. white																																																				
● ○ Coding A																																																								
PVC		halogen-free																																																						
1 m	771-6993/007-101	771-6993/007-102	771-6993/017-101	771-6993/017-102																																																				
2 m	771-6993/007-201	771-6993/007-202	771-6993/017-201	771-6993/017-202																																																				
3 m	771-6993/007-301	771-6993/007-302	771-6993/017-301	771-6993/017-302																																																				
4 m	771-6993/007-401	771-6993/007-402	771-6993/017-401	771-6993/017-402																																																				
5 m	771-6993/007-501	771-6993/007-502	771-6993/017-501	771-6993/017-502																																																				
6 m	771-6993/007-601	771-6993/007-602	771-6993/017-601	771-6993/017-602																																																				
7 m	771-6993/007-701	771-6993/007-702	771-6993/017-701	771-6993/017-702																																																				
8 m	771-6993/007-801	771-6993/007-802	771-6993/017-801	771-6993/017-802																																																				
Connecting cable, socket – free end	<table border="1"> <thead> <tr> <th>Length</th> <th>Item No. black</th> <th>Item No. white</th> <th>Item No. black</th> <th>Item No. white</th> </tr> </thead> <tbody> <tr> <td colspan="5">● ○ Coding A</td> </tr> <tr> <td colspan="2">PVC</td> <td colspan="3">halogen-free</td> </tr> <tr> <td>1 m</td> <td>771-6993/107-101</td> <td>771-6993/107-102</td> <td>771-6993/117-101</td> <td>771-6993/117-102</td> </tr> <tr> <td>2 m</td> <td>771-6993/107-201</td> <td>771-6993/107-202</td> <td>771-6993/117-201</td> <td>771-6993/117-202</td> </tr> <tr> <td>3 m</td> <td>771-6993/107-301</td> <td>771-6993/107-302</td> <td>771-6993/117-301</td> <td>771-6993/117-302</td> </tr> <tr> <td>4 m</td> <td>771-6993/107-401</td> <td>771-6993/107-402</td> <td>771-6993/117-401</td> <td>771-6993/117-402</td> </tr> <tr> <td>5 m</td> <td>771-6993/107-501</td> <td>771-6993/107-502</td> <td>771-6993/117-501</td> <td>771-6993/117-502</td> </tr> <tr> <td>6 m</td> <td>771-6993/107-601</td> <td>771-6993/107-602</td> <td>771-6993/117-601</td> <td>771-6993/117-602</td> </tr> <tr> <td>7 m</td> <td>771-6993/107-701</td> <td>771-6993/107-702</td> <td>771-6993/117-701</td> <td>771-6993/117-702</td> </tr> <tr> <td>8 m</td> <td>771-6993/107-801</td> <td>771-6993/107-802</td> <td>771-6993/117-801</td> <td>771-6993/117-802</td> </tr> </tbody> </table>	Length	Item No. black	Item No. white	Item No. black	Item No. white	● ○ Coding A					PVC		halogen-free			1 m	771-6993/107-101	771-6993/107-102	771-6993/117-101	771-6993/117-102	2 m	771-6993/107-201	771-6993/107-202	771-6993/117-201	771-6993/117-202	3 m	771-6993/107-301	771-6993/107-302	771-6993/117-301	771-6993/117-302	4 m	771-6993/107-401	771-6993/107-402	771-6993/117-401	771-6993/117-402	5 m	771-6993/107-501	771-6993/107-502	771-6993/117-501	771-6993/117-502	6 m	771-6993/107-601	771-6993/107-602	771-6993/117-601	771-6993/117-602	7 m	771-6993/107-701	771-6993/107-702	771-6993/117-701	771-6993/117-702	8 m	771-6993/107-801	771-6993/107-802	771-6993/117-801	771-6993/117-802
Length	Item No. black	Item No. white	Item No. black	Item No. white																																																				
● ○ Coding A																																																								
PVC		halogen-free																																																						
1 m	771-6993/107-101	771-6993/107-102	771-6993/117-101	771-6993/117-102																																																				
2 m	771-6993/107-201	771-6993/107-202	771-6993/117-201	771-6993/117-202																																																				
3 m	771-6993/107-301	771-6993/107-302	771-6993/117-301	771-6993/117-302																																																				
4 m	771-6993/107-401	771-6993/107-402	771-6993/117-401	771-6993/117-402																																																				
5 m	771-6993/107-501	771-6993/107-502	771-6993/117-501	771-6993/117-502																																																				
6 m	771-6993/107-601	771-6993/107-602	771-6993/117-601	771-6993/117-602																																																				
7 m	771-6993/107-701	771-6993/107-702	771-6993/117-701	771-6993/117-702																																																				
8 m	771-6993/107-801	771-6993/107-802	771-6993/117-801	771-6993/117-802																																																				
Connecting cable, plug – free end	<table border="1"> <thead> <tr> <th>Length</th> <th>Item No. black</th> <th>Item No. white</th> <th>Item No. black</th> <th>Item No. white</th> </tr> </thead> <tbody> <tr> <td colspan="5">● ○ Coding A</td> </tr> <tr> <td colspan="2">PVC</td> <td colspan="3">halogen-free</td> </tr> <tr> <td>1 m</td> <td>771-6993/207-101</td> <td>771-6993/207-102</td> <td>771-6993/217-101</td> <td>771-6993/217-102</td> </tr> <tr> <td>2 m</td> <td>771-6993/207-201</td> <td>771-6993/207-202</td> <td>771-6993/217-201</td> <td>771-6993/217-202</td> </tr> <tr> <td>3 m</td> <td>771-6993/207-301</td> <td>771-6993/207-302</td> <td>771-6993/217-301</td> <td>771-6993/217-302</td> </tr> <tr> <td>4 m</td> <td>771-6993/207-401</td> <td>771-6993/207-402</td> <td>771-6993/217-401</td> <td>771-6993/217-402</td> </tr> <tr> <td>5 m</td> <td>771-6993/207-501</td> <td>771-6993/207-502</td> <td>771-6993/217-501</td> <td>771-6993/217-502</td> </tr> <tr> <td>6 m</td> <td>771-6993/207-601</td> <td>771-6993/207-602</td> <td>771-6993/217-601</td> <td>771-6993/217-602</td> </tr> <tr> <td>7 m</td> <td>771-6993/207-701</td> <td>771-6993/207-702</td> <td>771-6993/217-701</td> <td>771-6993/217-702</td> </tr> <tr> <td>8 m</td> <td>771-6993/207-801</td> <td>771-6993/207-802</td> <td>771-6993/217-801</td> <td>771-6993/217-802</td> </tr> </tbody> </table>	Length	Item No. black	Item No. white	Item No. black	Item No. white	● ○ Coding A					PVC		halogen-free			1 m	771-6993/207-101	771-6993/207-102	771-6993/217-101	771-6993/217-102	2 m	771-6993/207-201	771-6993/207-202	771-6993/217-201	771-6993/217-202	3 m	771-6993/207-301	771-6993/207-302	771-6993/217-301	771-6993/217-302	4 m	771-6993/207-401	771-6993/207-402	771-6993/217-401	771-6993/217-402	5 m	771-6993/207-501	771-6993/207-502	771-6993/217-501	771-6993/217-502	6 m	771-6993/207-601	771-6993/207-602	771-6993/217-601	771-6993/217-602	7 m	771-6993/207-701	771-6993/207-702	771-6993/217-701	771-6993/217-702	8 m	771-6993/207-801	771-6993/207-802	771-6993/217-801	771-6993/217-802
Length	Item No. black	Item No. white	Item No. black	Item No. white																																																				
● ○ Coding A																																																								
PVC		halogen-free																																																						
1 m	771-6993/207-101	771-6993/207-102	771-6993/217-101	771-6993/217-102																																																				
2 m	771-6993/207-201	771-6993/207-202	771-6993/217-201	771-6993/217-202																																																				
3 m	771-6993/207-301	771-6993/207-302	771-6993/217-301	771-6993/217-302																																																				
4 m	771-6993/207-401	771-6993/207-402	771-6993/217-401	771-6993/217-402																																																				
5 m	771-6993/207-501	771-6993/207-502	771-6993/217-501	771-6993/217-502																																																				
6 m	771-6993/207-601	771-6993/207-602	771-6993/217-601	771-6993/217-602																																																				
7 m	771-6993/207-701	771-6993/207-702	771-6993/217-701	771-6993/217-702																																																				
8 m	771-6993/207-801	771-6993/207-802	771-6993/217-801	771-6993/217-802																																																				
	Accessories																																																							
	<p>Locking lever, for "flying leads", manually operated</p> <table border="1"> <tr> <td>black</td> <td>770-101</td> <td>100 (4x25)</td> </tr> <tr> <td>white</td> <td>770-121</td> <td>100 (4x25)</td> </tr> </table>	black	770-101	100 (4x25)	white	770-121	100 (4x25)																																																	
black	770-101	100 (4x25)																																																						
white	770-121	100 (4x25)																																																						
	<p>Locking lever, for "flying leads", tool operated</p> <table border="1"> <tr> <td>black</td> <td>770-111</td> <td>100 (4x25)</td> </tr> <tr> <td>white</td> <td>770-131</td> <td>100 (4x25)</td> </tr> </table>	black	770-111	100 (4x25)	white	770-131	100 (4x25)																																																	
black	770-111	100 (4x25)																																																						
white	770-131	100 (4x25)																																																						
	<p>Lockout cap, for socket, separable, 12-pole</p> <table border="1"> <tr> <td>black</td> <td>770-201</td> <td>100</td> </tr> <tr> <td>white</td> <td>770-221</td> <td>100</td> </tr> </table>	black	770-201	100	white	770-221	100																																																	
black	770-201	100																																																						
white	770-221	100																																																						
	<p>Lockout cap, for plug, separable, 5-pole</p> <table border="1"> <tr> <td>yellow</td> <td>770-360</td> <td>100</td> </tr> </table>	yellow	770-360	100																																																				
yellow	770-360	100																																																						




WINSTA® MIDI Sockets and Plugs, 4-Pole

<p>2 x 0.5–4 mm² ① 400 V/6 kV/3 I_N 25 A</p> <p> 9 mm / 0.35 in. ② Approvals</p>	<p>2 x 20–12 AWG</p> <p>2 x 0.5–4 mm² ① 400 V/6 kV/3 I_N 25 A</p> <p> 9 mm / 0.35 in. ② Approvals</p>
--	---



Description	Color	Item No.	Pack. Unit	Color	Item No.	Pack. Unit
Connectors, 4-pole, with CAGE CLAMP® S connection	Socket with strain relief housing, for 2 cables, 9–13 mm diameter ③			Plug with strain relief housing, for 2 cables, 9–13 mm diameter ③		
	● black	770-104	25	● black	770-114	25
	○ white	770-124	25	○ white	770-134	25

Item-Specific Accessories						
			Lockout cap, for socket, separable, 12-pole		Lockout cap, for plug, separable, 5-pole	
				black 770-201 100		yellow 770-360 100
			white 770-221 100	Coding pin, for plug (A and B coding)		
					gray 770-401 100	

Accessories, 770 Series						
			Locking lever, for “flying leads”, manually operated		Locking lever, for “flying leads”, tool operated	
				black 770-101 100 (4x25)		black 770-111 100 (4x25)
			white 770-121 100 (4x25)	white 770-131 100 (4x25)		
			Marker, for manual marking			
				white 770-450 50		

Info	Dimensions
------	------------

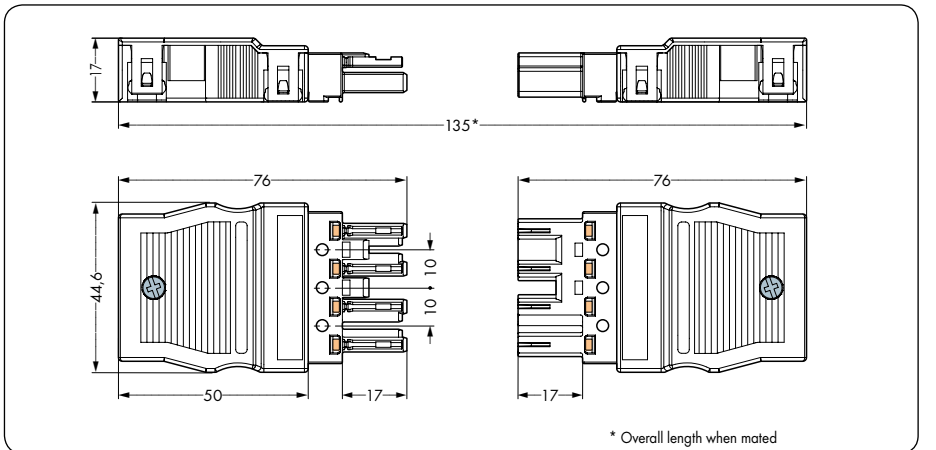
① Conductor sizes: 0.5–4 mm² “s + f-st”
0.5–2.5 mm² “stranded”

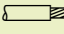
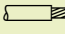
② For “International Certification Organizations” and
“Approvals – User Guide”,
see pages 300 to 303.

③ For more strain relief housings, see page 122.

● black	Coding A	(N ⊕ 2L 1L)
○ white	Coding A	(N ⊕ 2L 1L)
● green	Coding Q	(N PE1 PE2 L)

For coding information, see pages 284 to 286.
Fire load data available upon request.



2 x 0.5–4 mm ² ① 400 V/6 kV/3 I _N 25 A  9 mm / 0.35 in. ② Approvals	2 x 20–12 AWG ② Approvals	2 x 0.5–4 mm ² ① 400 V/6 kV/3 I _N 25 A  9 mm / 0.35 in. ② Approvals	2 x 20–12 AWG ② Approvals
--	----------------------------------	--	----------------------------------






Notice:

All connectors for fixed installations (snap-in versions for lighting fixtures, devices or all types of PCBs and distribution cabinets) are factory-equipped with locking levers to ensure plugs and sockets are securely locked. Additional locking levers are only required for "flying leads" (plug/socket).

Color	Item No.	Pack. Unit	Color	Item No.	Pack. Unit
Socket without strain relief housing			Plug without strain relief housing		
● black	770-204	50	● black	770-214	50
○ white	770-224	50	○ white	770-234	50
For "Clean Earth" applications (loading up to 32A):			For "Clean Earth" applications (loading up to 32A):		
● green	770-1324	50	● green	770-1334	50






Snap on locking lever. Observe direction!
(Example shows 3-pole plug)

Item-Specific Accessories		
Lockout cap, for socket, separable, 12-pole		Lockout cap, for plug, separable, 5-pole
	black 770-201 100 white 770-221 100	 yellow 770-360 100
		Coding pin, for plug (A and B coding)
		 gray 770-401 100



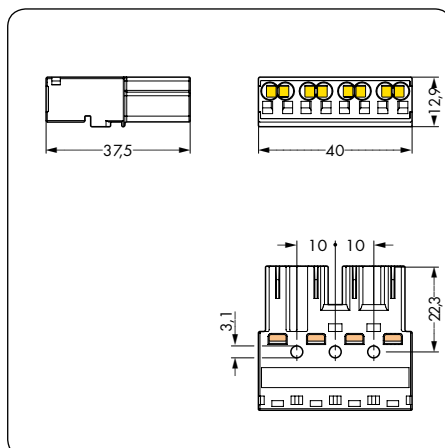
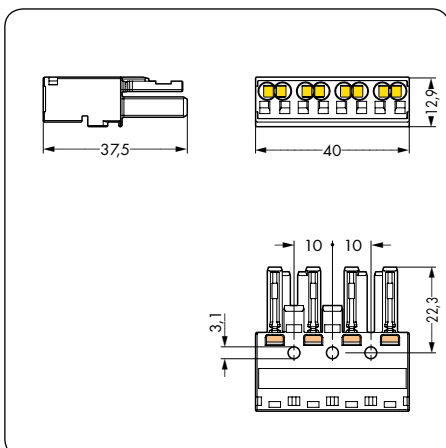
Locking lever, manually operated:
1.) Press on locking lever.
2.) Pull apart the connectors.
(Example shows 3-pole connectors)

Accessories, 770 Series		
Locking lever, for "flying leads", manually operated		Locking lever, for "flying leads", tool operated
	black 770-101 100 (4x25) white 770-121 100 (4x25)	 black 770-111 100 (4x25) white 770-131 100 (4x25)
Marker, for manual marking		
	white 770-450 50	



Locking lever, tool operated:
1.) Unlatch locking lever.
2.) Pull apart the connectors.
(Example shows 3-pole connectors)

Dimensions	
------------	--





WINSTA® MIDI

Strain Relief Housings, 4-Pole, for Different Cable Diameters

	<p>Snap-on type strain relief housings for:</p> <ul style="list-style-type: none"> - 4-pole sockets - 4-pole plugs <p>① Approvals</p>	<p>Snap-on type strain relief housings for:</p> <ul style="list-style-type: none"> - 4-pole sockets - 4-pole plugs <p>① Approvals</p>
--	---	---



Description	Color	Item No.	Pack. Unit	Color	Item No.	Pack. Unit
Strain relief housing	Strain relief housing, for 2 cables, 5-9 mm diameter ②			Strain relief housing, for 2 cables, 9-13 mm diameter ②		
	black	770-504/023-000	50	black	770-504	50
	white	770-514/023-000	50	white	770-514	50

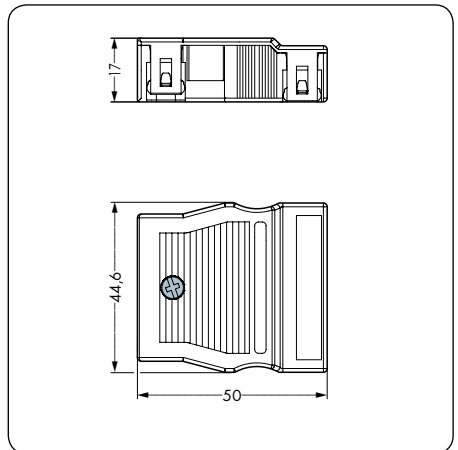
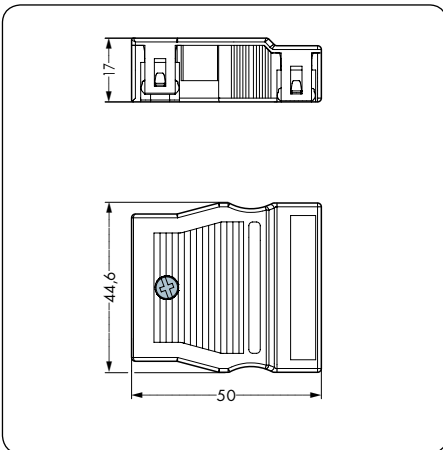
Item-Specific Accessories						
	<p>Marking strip, self-adhesive, on DIN A4 carrier card, 182 mm long</p>  <p>Strip height: 6 mm 210-333 100</p> <p>Marking area: 38 x 6.5 mm</p>			<p>Marking strip, self-adhesive, on DIN A4 carrier card, 182 mm long</p>  <p>Strip height: 6 mm 210-333 100</p> <p>Marking area: 38 x 6.5 mm</p>		

Info	Dimensions
------	------------

① For "International Certification Organizations" and "Approvals – User Guide", see pages 300 to 303.

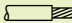
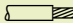
② For H05VV and NYM cables
For other cables, please contact factory.

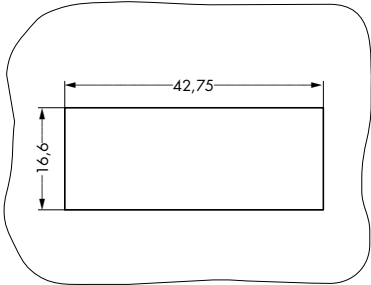
Fire load data available upon request.









WINSTA® MIDI Snap-In Sockets and Plugs, 4-Pole

Cutout dimensions Plate thickness: 0.5–2 mm Cutout tolerance: + 0.1 mm	2 x 0.5–4 mm ² ① 400 V/6 kV/3 I _N 25 A	2 x 20–12 AWG	2 x 0.5–4 mm ² ① 400 V/6 kV/3 I _N 25 A	2 x 20–12 AWG
	 9 mm / 0.35 in. ② Approvals			 9 mm / 0.35 in. ② Approvals



Description	Color	Item No.	Pack. Unit	Color	Item No.	Pack. Unit
Connectors, snap-in device connection, 4-pole, with CAGE CLAMP® S connection	Socket			Socket with protruding interface		
	● black	770-704	100	● black	770-704/009-000	100
	○ white	770-724	100	○ white	770-724/009-000	100
	For "Clean Earth" applications (loading up to 32A):					
	● green	770-2324	100			

Item-Specific Accessories						
	Lockout cap, for socket, separable, 12-pole			Lockout cap, for socket, separable, 12-pole		
		black 770-201 100 white 770-221 100			black 770-201 100 white 770-221 100	

Accessories, 770 Series						
	Lockout cap, for cutout, 4-pole			Lockout cap, for cutout, 4-pole		
		black 770-644 100 white 770-694 100			black 770-644 100 white 770-694 100	

Info	Dimensions
------	------------

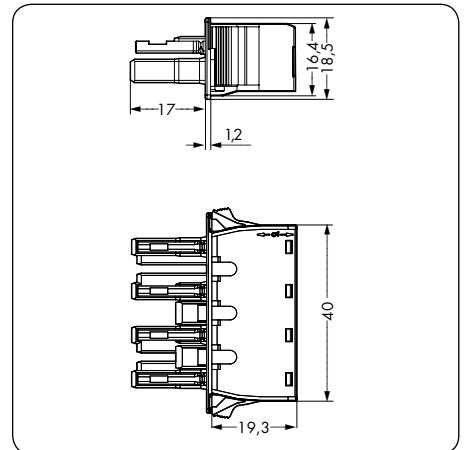
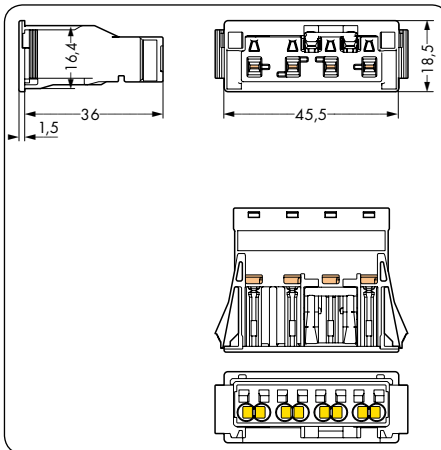
① Conductor sizes: 0.5–4 mm² "s + f-str"
0.5–2.5 mm² "stranded"

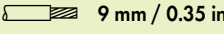
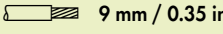
② For "International Certification Organizations" and "Approvals – User Guide", see pages 300 to 303.

③ Direct ground contact on position PE1

● black	Coding A	(N ⊕ 2 L 1 L)
○ white	Coding A	(N ⊕ 2 L 1 L)
● green	Coding Q	(N PE1 PE2 L)





For coding information, see pages 284 to 286.
Fire load data available upon request.





2 x 0.5–4 mm ² ① 400 V/6 kV/3 I _N 25 A  9 mm / 0.35 in. ② Approvals	2 x 20–12 AWG	2 x 0.5–4 mm ² ① 400 V/6 kV/3 I _N 25 A  9 mm / 0.35 in. ② Approvals	2 x 20–12 AWG
--	---------------	--	---------------

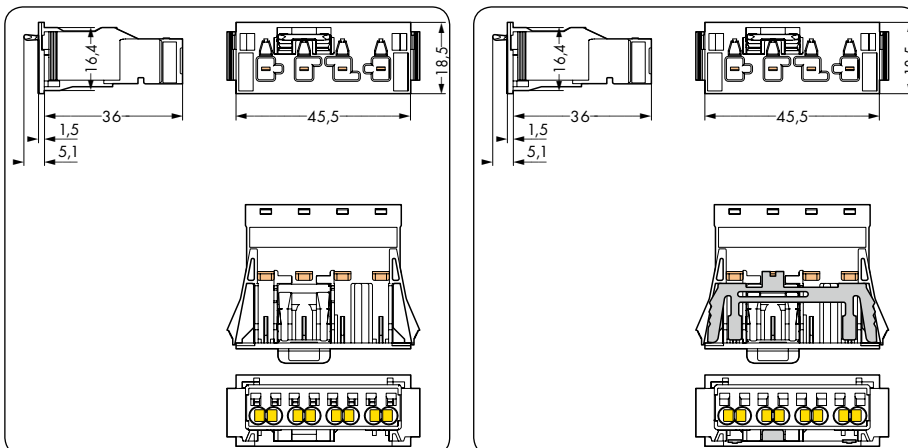


Color	Item No.	Pack. Unit	Color	Item No.	Pack. Unit
Plug			Plug with direct ground contact		
● black	770-714	100	● black	770-714/007-000	100
○ white	770-734	100	○ white	770-734/007-000	100
For "Clean Earth" applications (loading up to 32A):			For "Clean Earth" applications (loading up to 32A):		
● green	770-2334	100	● green	770-2334/007-000	100 ③

Item-Specific Accessories					
Lockout cap, for plug, separable, 5-pole			Lockout cap, for plug, separable, 5-pole		
	yellow	770-360 100		yellow	770-360 100
Coding pin, for plug (A and B coding)			Coding pin, for plug (A and B coding)		
	gray	770-401 100		gray	770-401 100

Accessories, 770 Series					
Lockout cap, for cutout, 4-pole			Lockout cap, for cutout, 4-pole		
	black	770-644 100		black	770-644 100
	white	770-694 100		white	770-694 100

Dimensions



Direct ground contact



Varnish-piercing direct ground contact ③

Lockout cap



Seal unused cutout with lockout cap.

WINSTA® MIDI PCB Connectors, 4-Pole

	<p>400 V/6 kV/3 I_N 25 A</p> <p>① Approvals</p>	<p>400 V/6 kV/3 I_N 25 A</p> <p>① Approvals</p>
--	---	---

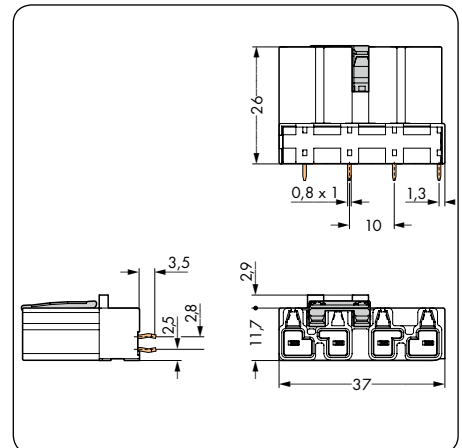
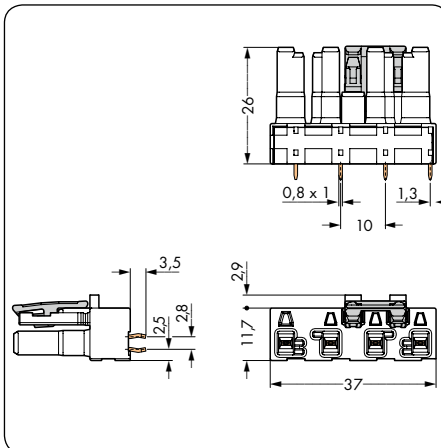


Description	Color	Item No.	Pack. Unit	Color	Item No.	Pack. Unit
PCB connectors, 2 solder pins per pole	Socket, straight			Plug, straight		
	● black	770-804	50	● black	770-814	50
	○ white	770-824	50	○ white	770-834	50
Item-Specific Accessories						
	Lockout cap, for socket, separable, 12-pole			Lockout cap, for plug, separable, 5-pole		
		black 770-201 100 white 770-221 100			yellow 770-360 100	
				Coding pin, for plug (A and B coding)		
					gray 770-401 100	
Accessories, 770 Series						
	Locking lever, for "flying leads", manually operated			Locking lever, for "flying leads", tool operated		
		black 770-101 100 (4x25) white 770-121 100 (4x25)			black 770-111 100 (4x25) white 770-131 100 (4x25)	
Info	Dimensions					

① For "International Certification Organizations" and "Approvals – User Guide", see pages 300 to 303.

- black Coding A (N ⊕ 2L 1L)
- white Coding A (N ⊕ 2L 1L)




For coding information, see pages 284 to 286.
Fire load data available upon request.





400 V/6 kV/3 I_N 25 A 1 Approvals	400 V/6 kV/3 I_N 25 A 1 Approvals
---	---

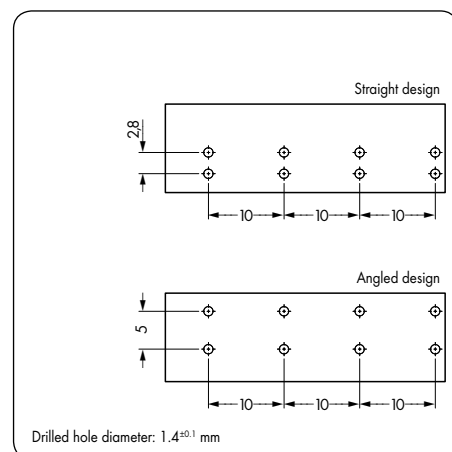
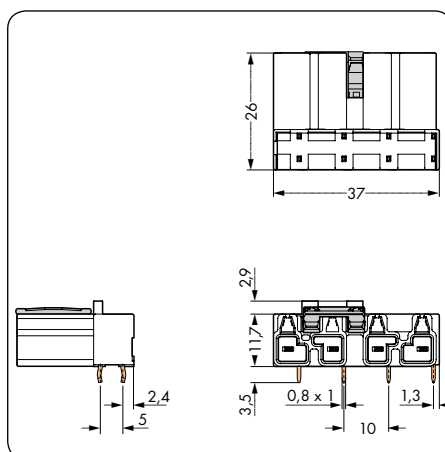
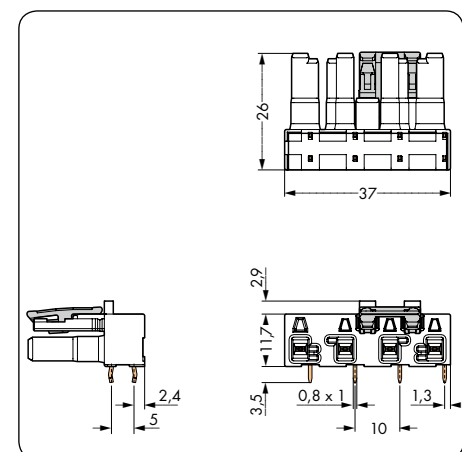


Color	Item No.	Pack. Unit	Color	Item No.	Pack. Unit
Socket, angled			Plug, angled		
● black	770-804/011-000	50	● black	770-814/011-000	50
○ white	770-824/011-000	50	○ white	770-834/011-000	50

Item-Specific Accessories						
Lockout cap, for socket, separable, 12-pole 			Lockout cap, for plug, separable, 5-pole 			
	black	770-201	100	yellow	770-360	100
	white	770-221	100			
Coding pin, for plug (A and B coding) 			gray 770-401 100			

Accessories, 770 Series						
Locking lever, for "flying leads", manually operated 			Locking lever, for "flying leads", tool operated 			
	black	770-101	100 (4x25)	black	770-111	100 (4x25)
	white	770-121	100 (4x25)	white	770-131	100 (4x25)

Dimensions	Hole patterns
------------	---------------



WINSTA® – perfectly plugged!

WINSTA® MIDI
Linect® T-Connector,
T-Distribution Connectors, 4-Pole



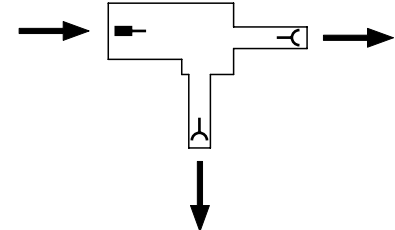
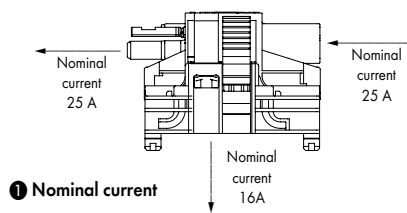
	<p>250 V/4 kV/3 I_N 25 A (16 A) ❶</p> <p>❷ Approvals</p>	<p>400 V/6 kV/3 I_N 25 A</p> <p>❷ Approvals</p>
--	---	--



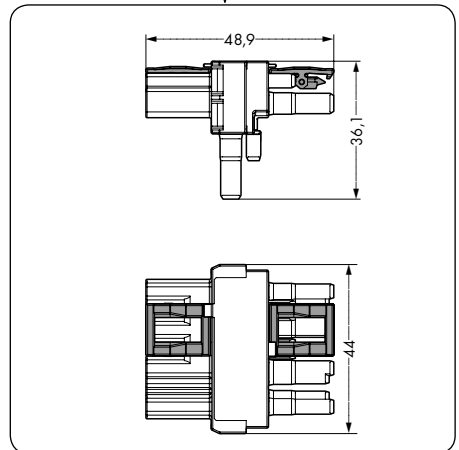
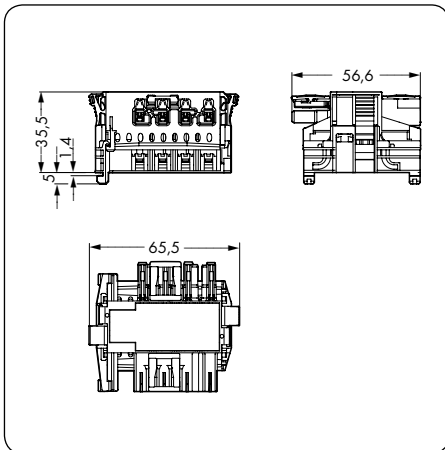
Description	Color	Item No.	Pack. Unit	Color	Item No.	Pack. Unit
Linect® T-connector, T-distribution connector	Linect® T-connector, 4-pole, socket - plug, white housing, white cover			T-distribution connector, 1 x plug/2 x socket		
	● black	770-626	50			
	○ white	770-624	25			
	Suitable for 294-8024 and 294-8124 lighting connectors			for "flying leads", with 3rd locking lever		
	● black	770-627	50			
	○ white	770-677	50			

Item-Specific Accessories						
	Lockout cap, for socket, separable, 12-pole			Lockout cap, for socket, separable, 12-pole		
		black 770-201 100			black 770-201 100	
		white 770-221 100			white 770-221 100	
	Lockout cap, for plug, separable, 5-pole			Lockout cap, for plug, separable, 5-pole		
		yellow 770-360 100			yellow 770-360 100	

Info	Dimensions
------	------------






- ❷ For "International Certification Organizations" and "Approvals – User Guide", see pages 300 to 303.
 - ❸ 5.0 mm Ø, 0.2–1.2 mm plate thickness
 - ❹ 6.0 mm Ø, 1–2.5 mm plate thickness
- black Coding A (N ⊕ 2L 1L)
- white Coding A (N ⊕ 2L 1L)
- For coding information, see pages 284 to 286.
Fire load data available upon request.

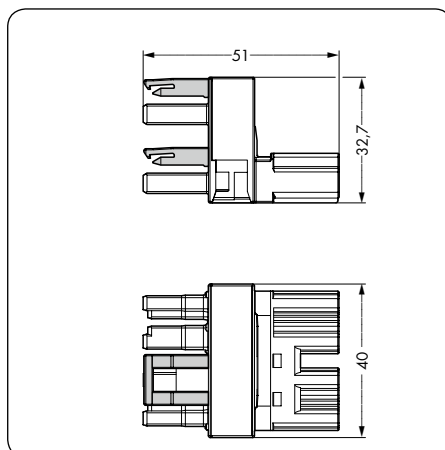
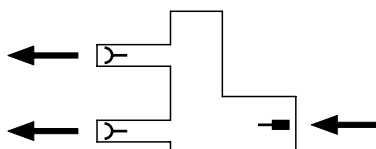


WINSTA® MIDI h-Distribution Connectors, 4-Pole

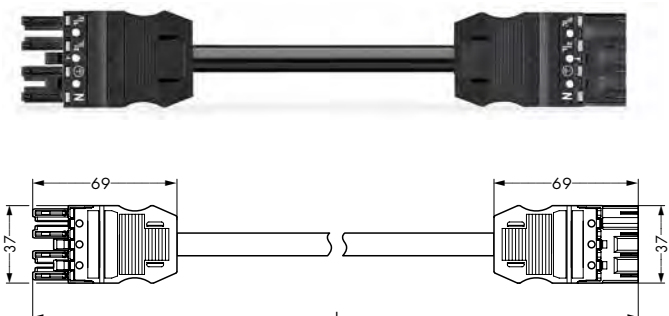
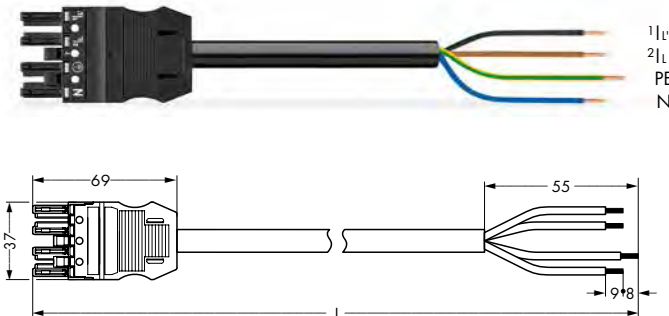
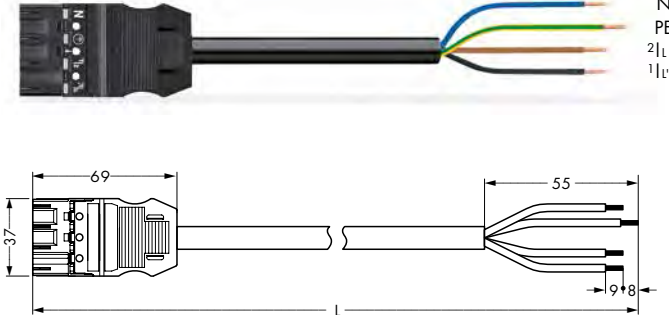
	<p>400 V/6 kV/3 I_N 25 A</p> <p>② Approvals</p>	
--	---	--



Description	Color	Item No.	Pack. Unit
h-distribution connector	h-distribution connector, unidirectional, plug/socket - socket		
	● black	770-944	25
	○ white	770-994	25
	for "flying leads", with 3rd locking lever		
	● black	770-945	25
	○ white	770-995	25
Item-Specific Accessories			
	Mounting plate , for distribution connectors 		
		black 770-624	25
		white 770-674	25
	Fixing pin , for mounting plates 		
		③ black 890-601	250
		④ black 770-601	250
	Lockout cap , for socket, separable, 12-pole 		
		black 770-201	100
		white 770-221	100
Dimensions			



WINSTA® MIDI Cable Assemblies 4 x 1.5 mm²

		PVC	H05VV-F 4G1.5	
		halogen-free	H05Z1Z1-F 4G1.5	
		400 V/6 kV/3	I _N 16 A	
		Conductor ends, bonded: 9 mm		
		● Approvals		
Interconnecting cable, socket – plug		Length	Item No. black	Item No. white
		● ○ Coding A		
		PVC		halogen-free
		1 m	771-9994/006-101	771-9994/016-101
		2 m	771-9994/006-201	771-9994/016-201
		3 m	771-9994/006-301	771-9994/016-301
		4 m	771-9994/006-401	771-9994/016-401
		5 m	771-9994/006-501	771-9994/016-501
		6 m	771-9994/006-601	771-9994/016-601
		7 m	771-9994/006-701	771-9994/016-701
		8 m	771-9994/006-801	771-9994/016-801
Connecting cable, socket – free end		Length	Item No. black	Item No. white
		● ○ Coding A		
		PVC		halogen-free
		1 m	771-9994/106-101	771-9994/116-101
		2 m	771-9994/106-201	771-9994/116-201
		3 m	771-9994/106-301	771-9994/116-301
		4 m	771-9994/106-401	771-9994/116-401
		5 m	771-9994/106-501	771-9994/116-501
		6 m	771-9994/106-601	771-9994/116-601
		7 m	771-9994/106-701	771-9994/116-701
		8 m	771-9994/106-801	771-9994/116-801
Connecting cable, plug – free end		Length	Item No. black	Item No. white
		● ○ Coding A		
		PVC		halogen-free
		1 m	771-9994/206-101	771-9994/216-101
		2 m	771-9994/206-201	771-9994/216-201
		3 m	771-9994/206-301	771-9994/216-301
		4 m	771-9994/206-401	771-9994/216-401
		5 m	771-9994/206-501	771-9994/216-501
		6 m	771-9994/206-601	771-9994/216-601
		7 m	771-9994/206-701	771-9994/216-701
		8 m	771-9994/206-801	771-9994/216-801

Info





● For “International Certification Organizations” and “Approvals – User Guide”, see pages 300 to 303.
Marine approvals (GL, LR, NV) relate exclusively to cables approved for marine applications.

For other cables, please contact factory.

● black Coding A (N ⊕ 2|L 1|L)
○ white Coding A (N ⊕ 2|L 1|L)

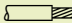
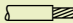
For coding information, see pages 284 to 286.
Fire load data available upon request.

Accessories

	manually operated		
	black	770-101	100 (4x25)
	white	770-121	100 (4x25)
	tool operated		
	black	770-111	100 (4x25)
	white	770-131	100 (4x25)
Lockout cap, for socket, separable, 12-pole			
	black	770-201	100
	white	770-221	100
Lockout cap, for plug, separable, 5-pole			
	yellow	770-360	100









WINSTA® MIDI Sockets and Plugs, 5-Pole

<p>2 x 0.5–4 mm² ❶ 400 V/6 kV/3 I_N 25 A</p> <p> 9 mm / 0.35 in.</p> <p>❷ Approvals</p>	<p>2 x 20–12 AWG</p> <p>2 x 0.5–4 mm² ❶ 400 V/6 kV/3 I_N 25 A</p> <p> 9 mm / 0.35 in.</p> <p>❷ Approvals</p>
---	--



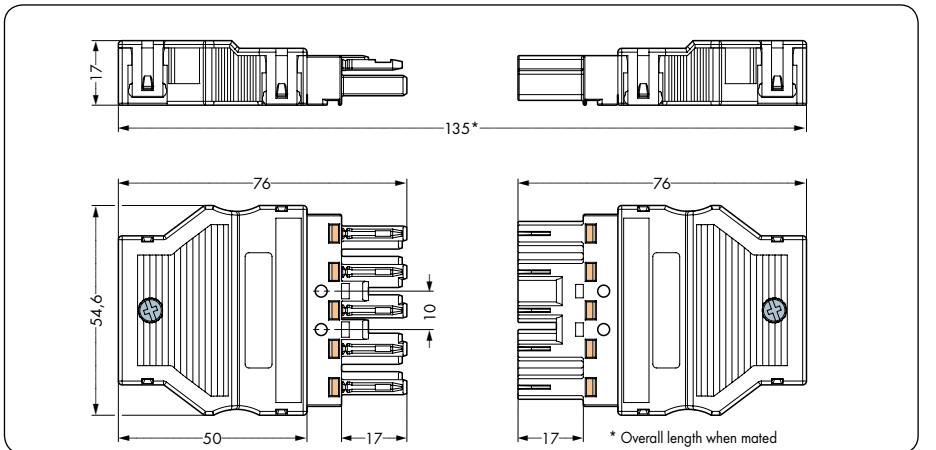
Description	Color	Item No.	Pack. Unit	Color	Item No.	Pack. Unit
Connectors, 5-pole, with CAGE CLAMP® S connection	Socket with strain relief housing, for 2 cables, 9–13 mm diameter ❸			Plug with strain relief housing, for 2 cables, 9–13 mm diameter ❸		
	● black	770-105	25	● black	770-115	25
	○ white	770-125	25	○ white	770-135	25

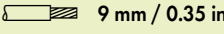
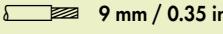
Item-Specific Accessories							
			Lockout cap, for socket, separable, 12-pole		Lockout cap, for plug, separable, 5-pole		
				black 770-201 100		yellow 770-360 100	
				white 770-221 100	Coding pin, for plug (A and B coding)		
							gray 770-401 100

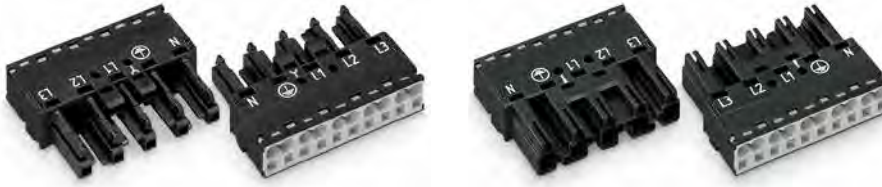
Accessories, 770 Series						
			Locking lever, for “flying leads”, manually operated		Locking lever, for “flying leads”, tool operated	
				black 770-101 100 (4x25)		black 770-111 100 (4x25)
				white 770-121 100 (4x25)		white 770-131 100 (4x25)
			Marker, for manual marking			
				white 770-450 50		

Info	Dimensions
------	------------

- ❶ Conductor sizes: 0.5–4 mm² “s + f-st”
0.5–2.5 mm² “stranded”
 - ❷ For “International Certification Organizations” and “Approvals – User Guide”, see pages 300 to 303.
 - ❸ For more strain relief housings, see pages 136 and 137.
 - black Coding A (N ⊕ L1 L2 L3)
 - white Coding A (N ⊕ L1 L2 L3)
 - blue Coding I (N ⊕ L DA- DA+)
 - dark gray Coding L (N ⊕ L N' L')
 - red Coding P (N ⊕ L1 L2 L3)
 - green Coding Q (N PE1 PE2 PE3 L)
- For coding information, see pages 284 to 286.
Fire load data available upon request.



2 x 0.5–4 mm ² ① 400 V/6 kV/3 I _N 25 A  9 mm / 0.35 in. ② Approvals	2 x 20–12 AWG ② Approvals	2 x 0.5–4 mm ² ① 400 V/6 kV/3 I _N 25 A  9 mm / 0.35 in. ② Approvals	2 x 20–12 AWG ② Approvals
--	----------------------------------	--	----------------------------------






Notice:

All connectors for fixed installations (snap-in versions for lighting fixtures, devices or all types of PCBs and distribution cabinets) are factory-equipped with locking levers to ensure plugs and sockets are securely locked. Additional locking levers are only required for “flying leads” (plug/socket).

Color	Item No.	Pack. Unit	Color	Item No.	Pack. Unit
Socket without strain relief housing			Plug without strain relief housing		
● black	770-205	50	● black	770-215	50
○ white	770-225	50	○ white	770-235	50
● blue	770-1105	50	● blue	770-1115	50
● dark gray	770-1165	50	● dark gray	770-1175	50
● red	770-1305	50	● red	770-1315	50
For “Clean Earth” applications (loading up to 32A):			For “Clean Earth” applications (loading up to 32A):		
● green	770-1325	50	● green	770-1335	50






Snap on locking lever. Observe direction!
(Example shows 3-pole plug)

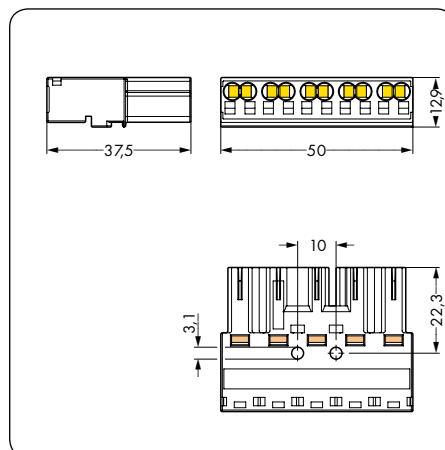
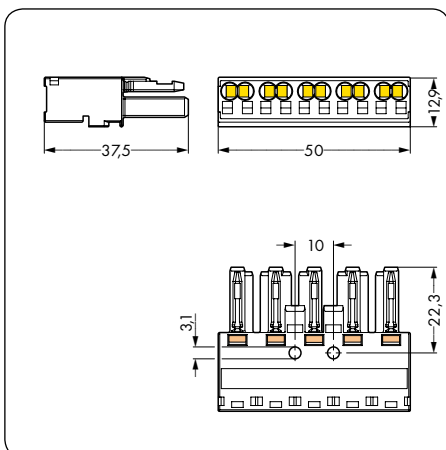
Item-Specific Accessories					
Lockout cap, for socket, separable, 12-pole 		Lockout cap, for plug, separable, 5-pole 			
● black	770-201	100	● yellow	770-360	100
○ white	770-221	100			
Coding pin, for plug (A and B coding) 		gray 770-401 100			



Locking lever, manually operated:
1.) Press on locking lever.
2.) Pull apart the connectors.
(Example shows 3-pole connectors)

Accessories, 770 Series					
Locking lever, for “flying leads”, manually operated 		Locking lever, for “flying leads”, tool operated 			
● black	770-101	100 (4x25)	● black	770-111	100 (4x25)
○ white	770-121	100 (4x25)	○ white	770-131	100 (4x25)
Marker, for manual marking 		white 770-450 50			

Dimensions






Locking lever, tool operated:
1.) Unlatch locking lever.
2.) Pull apart the connectors.
(Example shows 3-pole connectors)




WINSTA® MIDI Sockets and Plugs, 5-Pole, 1-Conductor

<p>0.5–4 mm² ① 400 V/6 kV/3 I_N 25 A</p> <p>9 mm / 0.35 in.</p> <p>② Approvals</p>	<p>20–12 AWG</p>	<p>0.5–4 mm² ① 400 V/6 kV/3 I_N 25 A</p> <p>9 mm / 0.35 in.</p> <p>② Approvals</p>	<p>20–12 AWG</p>
---	------------------	---	------------------



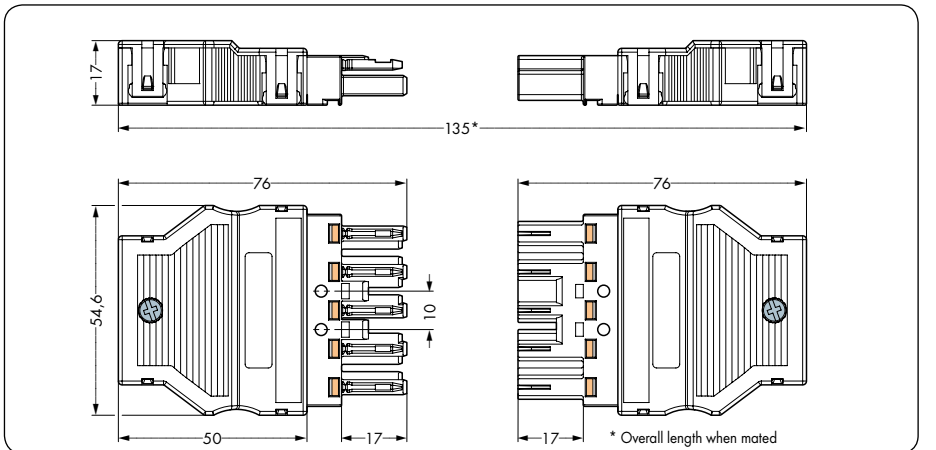
Description	Color	Item No.	Pack. Unit	Color	Item No.	Pack. Unit
Connectors, 5-pole, 1-conductor, with CAGE CLAMP® S connection	Socket with strain relief housing, for 9–13 mm cable diameter ③			Plug with strain relief housing, for 9–13 mm cable diameter ③		
A large funneled conductor entry simplifies termination, especially with solid conductors (e.g., NYM)	● black	770-305	25	● black	770-315	25
	○ white	770-325	25	○ white	770-335	25

Item-Specific Accessories						
			Lockout cap, for socket, separable, 12-pole		Lockout cap, for plug, separable, 5-pole	
				black 770-201 100 white 770-221 100		yellow 770-360 100
					Coding pin, for plug (A and B coding)	
						gray 770-401 100

Accessories, 770 Series						
			Locking lever, for “flying leads”, manually operated		Locking lever, for “flying leads”, tool operated	
				black 770-101 100 (4x25) white 770-121 100 (4x25)		black 770-111 100 (4x25) white 770-131 100 (4x25)
			Marker, for manual marking			
				white 770-450 50		

Info	Dimensions
------	------------

- ① Conductor sizes: 0.5–4 mm² “s + f-st”
0.5–2.5 mm² “stranded”
 - ② For “International Certification Organizations” and “Approvals – User Guide”, see pages 300 to 303.
 - ③ For more strain relief housings, see pages 136 and 137.
- black Coding A (N ⊕ L1 L2 L3)
○ white Coding A (N ⊕ L1 L2 L3)
- For coding information, see pages 284 to 286.
Fire load data available upon request.



0.5–4 mm ² ① 400 V/6 kV/3 I _N 25 A	20–12 AWG	0.5–4 mm ² ① 400 V/6 kV/3 I _N 25 A	20–12 AWG
9 mm / 0.35 in.		9 mm / 0.35 in.	
② Approvals		② Approvals	



Notice:

All connectors for fixed installations (snap-in versions for lighting fixtures, devices or all types of PCBs and distribution cabinets) are factory-equipped with locking levers to ensure plugs and sockets are securely locked. Additional locking levers are only required for “flying leads” (plug/socket).

Color	Item No.	Pack. Unit	Color	Item No.	Pack. Unit
Socket without strain relief housing			Plug without strain relief housing		
● black	770-405	50	● black	770-415	50
○ white	770-425	50	○ white	770-435	50

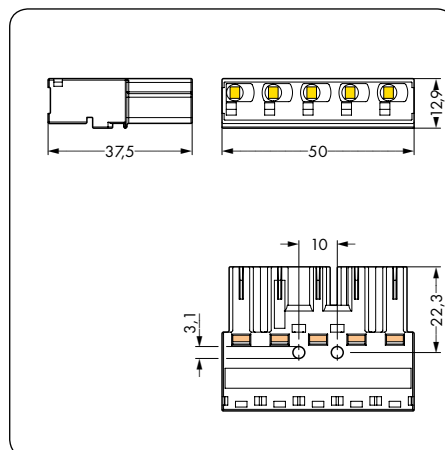
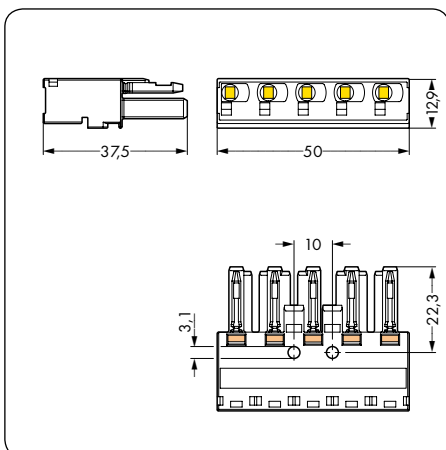


Snap on locking lever. Observe direction!
(Example shows 3-pole plug)

Item-Specific Accessories							
Lockout cap, for socket, separable, 12-pole			Lockout cap, for plug, separable, 5-pole				
	black	770-201	100		yellow	770-360	100
	white	770-221	100				
			Coding pin, for plug (A and B coding)				
				gray	770-401	100	
Accessories, 770 Series							
Locking lever, for “flying leads”, manually operated			Locking lever, for “flying leads”, tool operated				
	black	770-101	100 (4x25)		black	770-111	100 (4x25)
	white	770-121	100 (4x25)		white	770-131	100 (4x25)
Marker, for manual marking							
	white	770-450	50				
Dimensions							



Locking lever, manually operated:
1.) Press on locking lever.
2.) Pull apart the connectors.
(Example shows 3-pole connectors)



Locking lever, tool operated:
1.) Unlatch locking lever.
2.) Pull apart the connectors.
(Example shows 3-pole connectors)



WINSTA® MIDI

Strain Relief Housings, 5-Pole, for Different Cable Diameters

	Snap-on type strain relief housings for: - 5-pole sockets - 5-pole plugs 1 Approvals	Snap-on type strain relief housings for: - 5-pole sockets - 5-pole plugs 1 Approvals
--	--	--



Description	Color	Item No.	Pack. Unit	Color	Item No.	Pack. Unit
Strain relief housing, 5-pole	Strain relief housing, for 2 cables, 5-9 mm diameter 2			Strain relief housing, for 2 cables, 9-13 mm diameter 2		
	black	770-505/023-000	25	black	770-505	25
	white	770-515/023-000	25	white	770-515	25

Item-Specific Accessories							
		Marking strip, self-adhesive, on DIN A4 carrier card, 182 mm long  Strip height: 6 mm 210-333 100 Marking area: 48 x 6.5 mm				Marking strip, self-adhesive, on DIN A4 carrier card, 182 mm long  Strip height: 6 mm 210-333 100 Marking area: 48 x 6.5 mm	

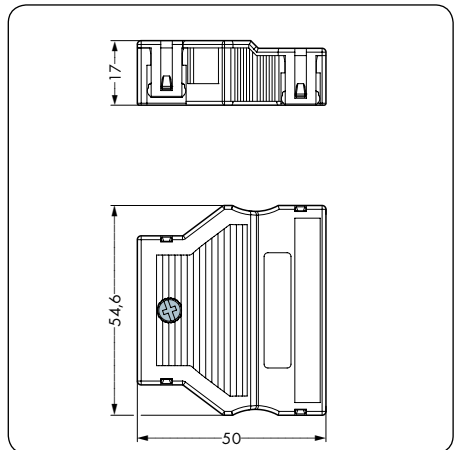
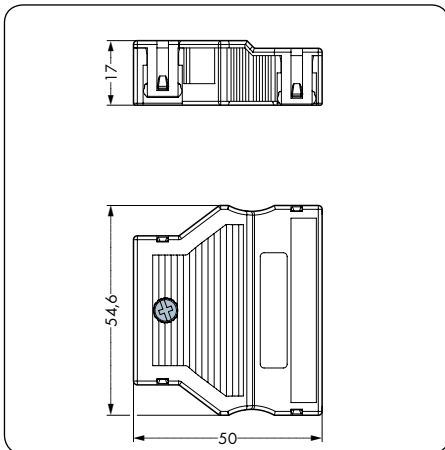
Info	Dimensions
------	------------

1 For "International Certification Organizations" and "Approvals – User Guide", see pages 300 to 303.

2 For H05VV and NYM cables

For other cables, please contact factory.

Fire load data available upon request.

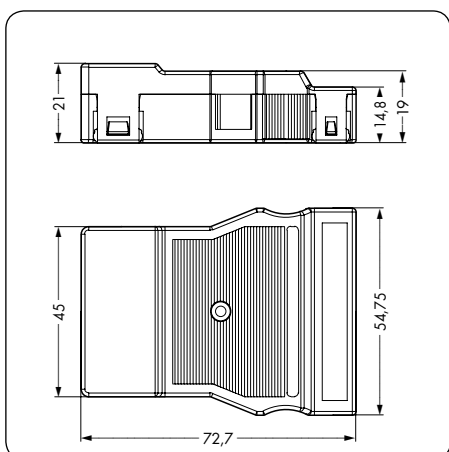


Snap-on type strain relief housings for:
 - 5-pole sockets
 - 5-pole plugs

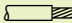
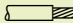
① Approvals

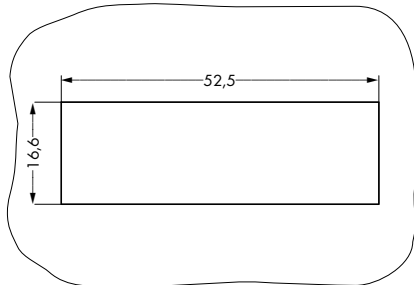


Color	Item No.	Pack. Unit	
Strain relief housing for 4 mm² cables,			
for 1 cable, 11.5-16.5 mm diameter ②			
Strip length, outer insulation: 71 mm			
black	770-505/021-000	25	
white	770-515/021-000	25	
Marking strip, self-adhesive, on DIN A4 carrier card, 182 mm			
long			
Height: 6 mm 210-333 100			
Marking area: 48 x 6.5 mm			
Dimensions			







WINSTA® MIDI Snap-In Sockets and Plugs, 5-Pole

Cutout dimensions Plate thickness: 0.5–2 mm Cutout tolerance: + 0.1 mm	2 x 0.5–4 mm ² ① 400 V/6 kV/3 I _N 25 A	2 x 20–12 AWG	2 x 0.5–4 mm ² ① 400 V/6 kV/3 I _N 25 A	2 x 20–12 AWG
	 9 mm / 0.35 in. ② Approvals		 9 mm / 0.35 in. ② Approvals	



Description	Color	Item No.	Pack. Unit	Color	Item No.	Pack. Unit
Connectors, snap-in device connection, 5-pole, with CAGE CLAMP® S connection	Socket			Socket with protruding interface		
	● black	770-705	50	● black	770-705/009-000	50
	○ white	770-725	50	○ white	770-725/009-000	50
	● blue	770-2105	50			
	● red	770-2305	50			
	For "Clean Earth" applications (loading up to 32A):					
	● green	770-2325	50			

Item-Specific Accessories								
	Lockout cap, for socket, separable, 12-pole			Lockout cap, for socket, separable, 12-pole				
		● black	770-201	100		● black	770-201	100
		○ white	770-221	100		○ white	770-221	100

Accessories, 770 Series								
	Lockout cap, for cutout, 5-pole			Lockout cap, for cutout, 5-pole				
		● black	770-645	100		● black	770-645	100
		○ white	770-695	100		○ white	770-695	100

Info	Dimensions
------	------------

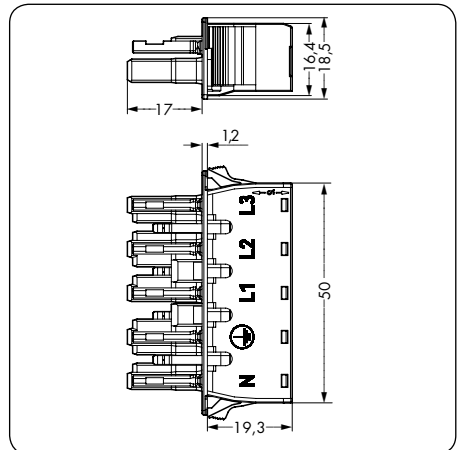
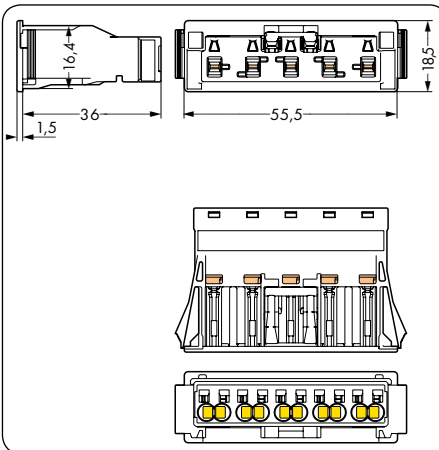
① Conductor sizes: 0.5–4 mm² "s + f-st"
0.5–2.5 mm² "stranded"

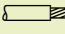
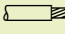
② For "International Certification Organizations" and "Approvals – User Guide", see pages 300 to 303.

③ Direct ground contact on position PE/PE1

● black	Coding A	(N ⊕ L1 L2 L3)
○ white	Coding A	(N ⊕ L1 L2 L3)
● blue	Coding I	(N ⊕ L DA- DA+)
● red	Coding P	(N ⊕ L1 L2 L3)
● green	Coding Q	(N PE1 PE2 PE3 L)

For coding information, see pages 284 to 286.
Fire load data available upon request.








<p>2 x 0.5–4 mm² ① 400 V/6 kV/3 I_N 25 A</p> <p> 9 mm / 0.35 in.</p> <p>② Approvals</p>	<p>2 x 20–12 AWG</p>	<p>2 x 0.5–4 mm² ① 400 V/6 kV/3 I_N 25 A</p> <p> 9 mm / 0.35 in.</p> <p>② Approvals</p>	<p>2 x 20–12 AWG</p>	<p>Snap-in frame – for 5-pole sockets and plugs (see pages 133 and 135)</p>
---	----------------------	---	----------------------	---





Color	Item No.	Pack. Unit	Color	Item No.	Pack. Unit	Color	Item No.	Pack. Unit
Plug			Plug with direct ground contact ③			Snap-in frame, 5-pole, for 0.5–2 mm plate thickness		
● black	770-715	50	● black	770-715/007-000	50	black	770-321	100
○ white	770-735	50	○ white	770-735/007-000	50	white	770-341	100
● blue	770-2115	50	● blue	770-2115/007-000	50	Snap-in frame, 5-pole, for 1–3 mm plate thickness, suitable for coding A / I / P / Q		
● red	770-2315	50	For "Clean Earth" applications (loading up to 32A):			black	770-320	100
For "Clean Earth" applications (loading up to 32A):			● green	770-2335	50	white	770-340	100

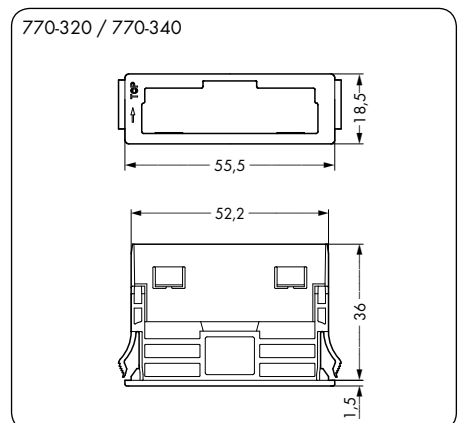
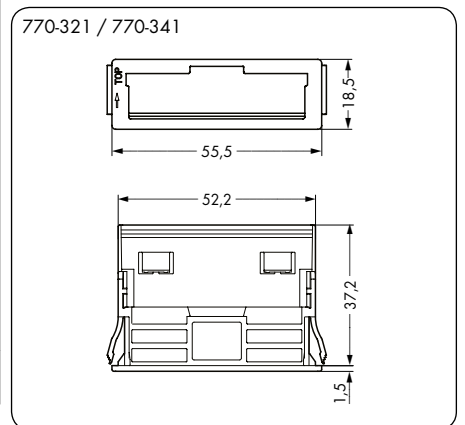
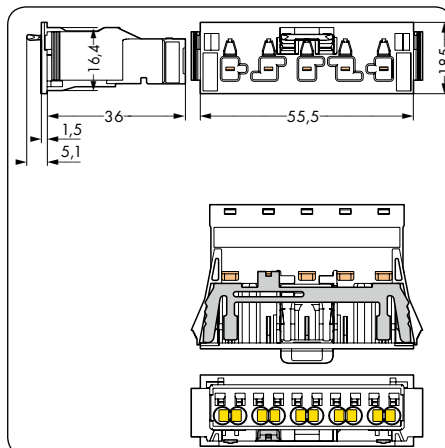
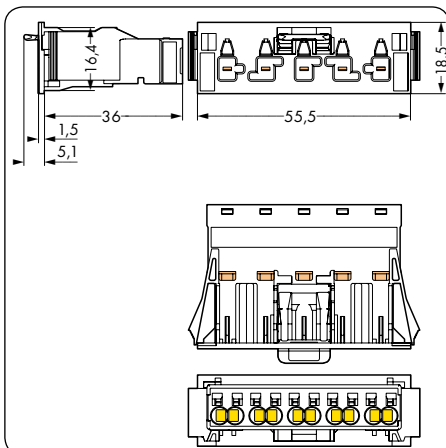
Item-Specific Accessories

<p>Lockout cap, for plug, separable, 5-pole</p> <p> yellow 770-360 100</p>	<p>Lockout cap, for plug, separable, 5-pole</p> <p> yellow 770-360 100</p>	<p>Locking lever, tool operated</p> <p> gray 770-140 100 (4x25)</p>
<p>Coding pin, for plug (A and B coding)</p> <p> gray 770-401 100</p>	<p>Coding pin, for plug (A and B coding)</p> <p> gray 770-401 100</p>	

Accessories, 770 Series

<p>Lockout cap, for cutout, 5-pole</p> <p> black 770-645 100 white 770-695 100</p>	<p>Lockout cap, for cutout, 5-pole</p> <p> black 770-645 100 white 770-695 100</p>
--	--

Dimensions



WINSTA® MIDI PCB Connectors, 5-Pole

	<p>400 V/6 kV/3 I_N 25 A</p> <p>① Approvals</p>	<p>400 V/6 kV/3 I_N 25 A</p> <p>① Approvals</p>
--	---	---

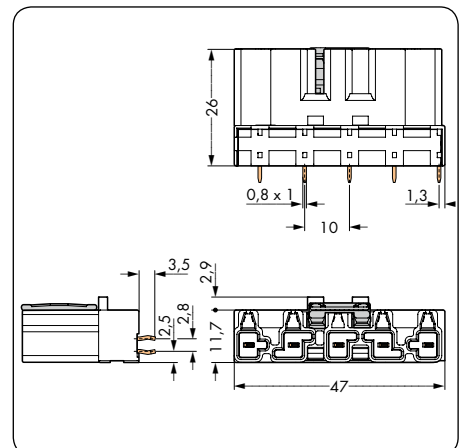
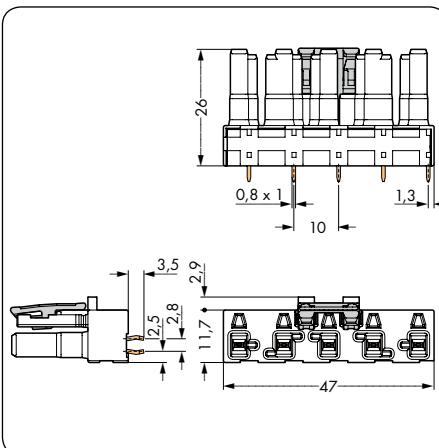


Description	Color	Item No.	Pack. Unit	Color	Item No.	Pack. Unit
PCB connectors, 5-pole 2 solder pins per pole	Socket, straight			Plug, straight		
	● black	770-805	50	● black	770-815	50
	○ white	770-825	50	○ white	770-835	50
	● blue	770-3105	50	● blue	770-3115	50
Item-Specific Accessories						
	Lockout cap, for socket, separable, 12-pole			Lockout cap, for plug, separable, 5-pole		
		black 770-201 100 white 770-221 100			yellow 770-360 100	
				Coding pin, for plug (A and B coding)		
					gray 770-401 100	
Info	Dimensions					

① For "International Certification Organizations" and "Approvals – User Guide", see pages 300 to 303.

- black Coding A (N ⊕ L1 L2 L3)
- white Coding A (N ⊕ L1 L2 L3)
- blue Coding I (N ⊕ L DA- DA+)




For coding information, see pages 284 to 286.
Fire load data available upon request.



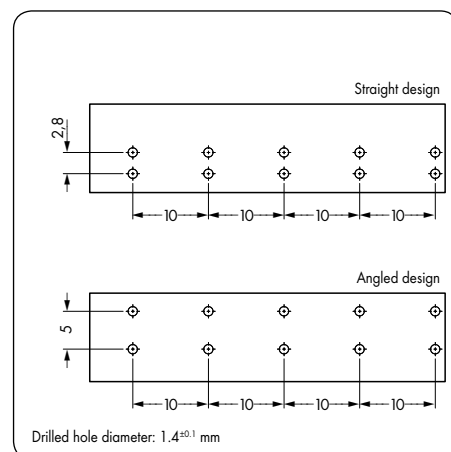
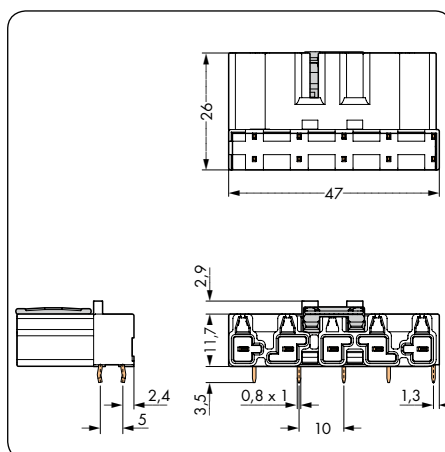
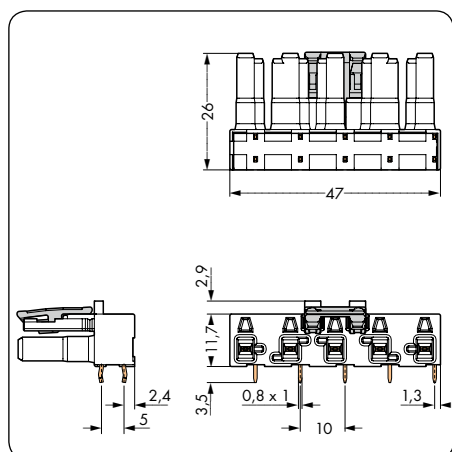
400 V/6 kV/3 I_N 25 A 1 Approvals	400 V/6 kV/3 I_N 25 A 1 Approvals
---	---



Color	Item No.	Pack. Unit	Color	Item No.	Pack. Unit
Socket, angled			Plug, angled		
● black	770-805/011-000	50	● black	770-815/011-000	50
○ white	770-825/011-000	50	○ white	770-835/011-000	50
● blue	770-3105/011-000	50	● blue	770-3115/011-000	50

Item-Specific Accessories					
Lockout cap, for socket, separable, 12-pole  black 770-201 100 white 770-221 100			Lockout cap, for plug, separable, 5-pole  yellow 770-360 100		
Coding pin, for plug (A and B coding)  gray 770-401 100					

Dimensions	Hole patterns
------------	---------------



WINSTA® – perfectly plugged!

WINSTA® MIDI

Intermediate Couplers, 5-Pole

400 V/6 kV/3 I_N 25 A ② Approvals	250 V/4 kV/3 400 V/6 kV/3 I_N 25 A ② Approvals
---	---

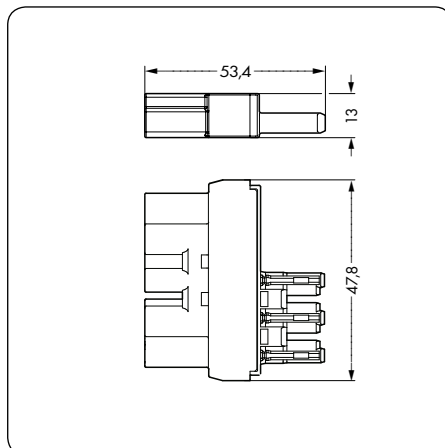
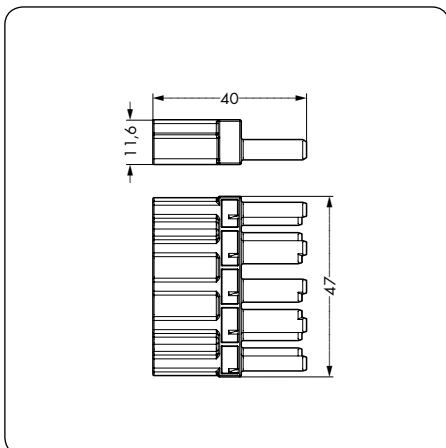


Color	Item No.	Pack. Unit	Color	Item No.	Pack. Unit
Intermediate coupler, 1 x plug/1 x socket			Intermediate coupler, 5- to 3-pole ⑤		
● black	770-605	100	● L1 - L	770-901	100
○ white	770-655	100	○ L1 - L	770-951	100
● blue	770-619	100	● L1 - L	770-911	100
			● L2 - L	770-902	100
			○ L2 - L	770-952	100
			● L2 - L	770-912	100
			● L3 - L	770-903	100
			○ L3 - L	770-953	100
			● L3 - L	770-913	100

Item-Specific Accessories

Lockout cap, for socket, separable, 12-pole  <ul style="list-style-type: none"> black 770-201 100 white 770-221 100 	Lockout cap, for socket, separable, 12-pole  <ul style="list-style-type: none"> black 770-201 100 white 770-221 100
Lockout cap, for plug, separable, 5-pole  <ul style="list-style-type: none"> yellow 770-360 100 	Lockout cap, for plug, separable, 5-pole  <ul style="list-style-type: none"> yellow 770-360 100

Dimensions









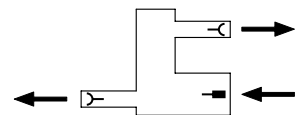
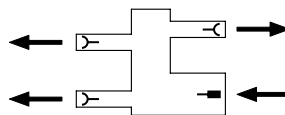
WINSTA® MIDI Distribution Connectors, 5-Pole

	<p>400 V/6 kV/3 I_N 25 A</p> <p>① Approvals</p>	<p>400 V/6 kV/3 I_N 25 A</p> <p>① Approvals</p>
--	---	---

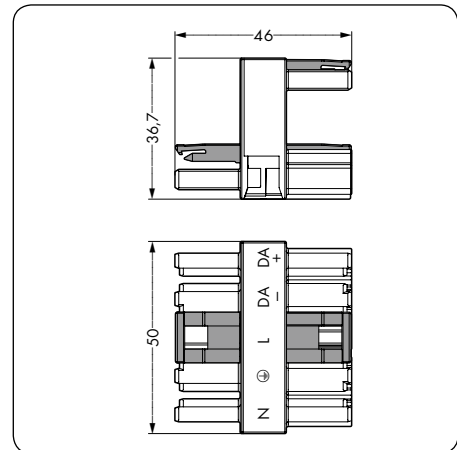
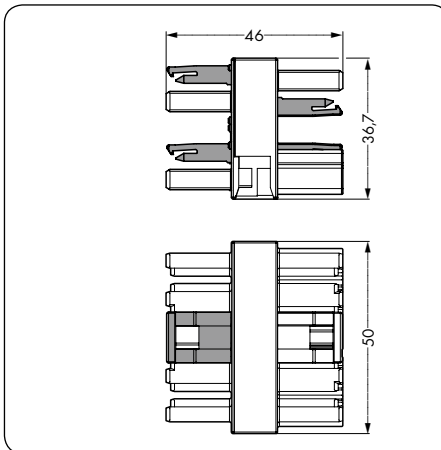


Description	Color	Item No.	Pack. Unit	Color	Item No.	Pack. Unit
Distribution connector, 3-way h-distribution connector						
Three-phase to single-phase distribution connectors, 5-pole						
	● black	770-609	25	● blue	770-992	50
	○ white	770-659	25			
	● blue	770-618	50			
	● red	770-909	50			
				● blue	770-993	50

Item-Specific Accessories							
	Mounting plate , for distribution connectors 			Mounting plate , for distribution connectors 			
		black	770-625	25	black	770-625	25
		white	770-675	25	white	770-675	25
	Fixing pin , for mounting plates 			Fixing pin , for mounting plates 			
		③ black	890-601	250	③ black	890-601	250
		④ black	770-601	250	④ black	770-601	250
	Lockout cap , for socket, separable, 12-pole 			Lockout cap , for socket, separable, 12-pole 			
		black	770-201	100	black	770-201	100
		white	770-221	100	white	770-221	100
Info	Dimensions						



- ① For "International Certification Organizations" and "Approvals – User Guide", see pages 300 to 303.
 - ② Position of jumper when delivered: L2
 - ③ 5.0 mm Ø, 0.2–1.2 mm plate thickness
 - ④ 6.0 mm Ø, 1–2.5 mm plate thickness
- | | | |
|---------|----------|-----------------|
| ● black | Coding A | (N ⊕ L1 L2 L3) |
| ○ white | Coding A | (N ⊕ L1 L2 L3) |
| ● blue | Coding I | (N ⊕ L DA- DA+) |
| ● red | Coding P | (N ⊕ L1 L2 L3) |
- For coding information, see pages 284 to 286.
Fire load data available upon request.



250 V/4 kV/3
400 V/6 kV/3
I_N 25 A

1 Approvals



The different jumper positions allow for a wide range of different tap-off options to be selected. In addition to the 3 set tap-offs (L1/L2/L3), the selectable 4th tap-off provides for a high degree of flexibility before, during and after installation.



Movable jumper






Jumper pushed down, flush with the housing (position L1).

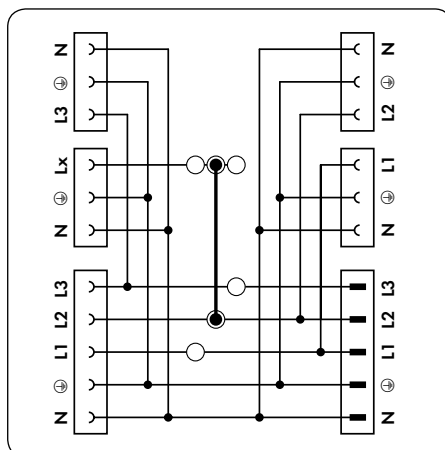
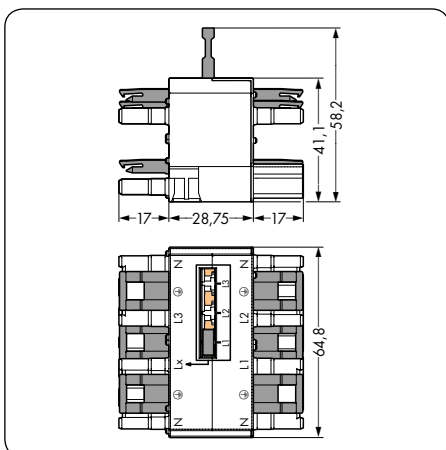


An additional h-distribution connector doubles L1. This results in the following connection options:
L1/L1/L2/L2/L3 with jumper in position L2
L1/L1/L2/L3/L3 with jumper in position L3

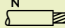


Additional h-distribution connectors double L1 and L3. This results in the following connection option:
L1/L1/L2/L2/L3/L3 with jumper in position L2
NOTICE: h-distribution connectors can only be plugged on L1 and L3.

Color	Item No.	Pack. Unit
Three-phase to single-phase distribution connector 2		
● black	770-640	10
○ white	770-690	10
● red	770-940	10
Item-Specific Accessories		
Mounting plate, for distribution connectors		Lockout cap, for socket, separable, 12-pole
	● black 770-625 25	● black 770-201 100
	○ white 770-675 25	○ white 770-221 100
Fixing pin, for mounting plates		Lockout cap, for plug, separable, 5-pole
	3 ● black 890-601 250	
	4 ● black 770-601 250	● yellow 770-360 100
Dimensions and Internal Circuit		



WINSTA® MIDI Distribution Connectors with Phase Selection

	0.5–4 mm² ① 250 V/4 kV/3 400 V/6 kV/3 I _N 25 A  9 mm / 0.35 in.	20–12 AWG
② Approvals		



Lift jumper out of delivery position (L2) using a screwdriver and move it into the desired position.






Push down jumper in its new position (picture shows L3).



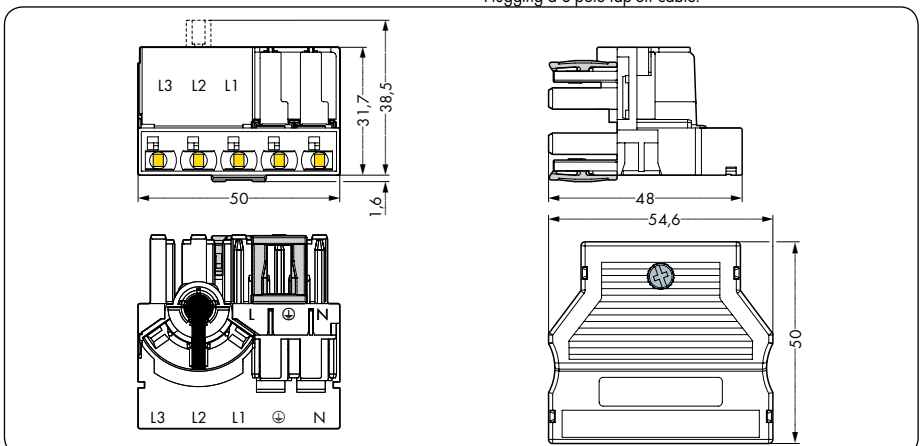
The 5-pole energy circuit can be extended using pluggable cable assemblies.


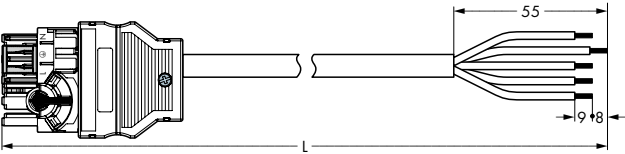

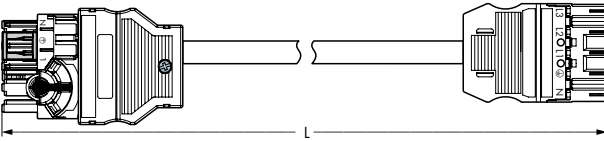







Plugging a 3-pole tap-off cable.

Description	Color	Item No.	Pack. Unit
Distribution connector with phase selection, with CAGE CLAMP® S connection,	Distribution connector with phase selection, with strain relief housing, for 9–13 mm cable diameter ④		
Tap-off: Socket, 3-pole, N ⊕ L			
Through contact: Socket, 5-pole, N ⊕ L1 L2 L3			
	● black	770-611	10
	○ white	770-661	10
Item-Specific Accessories			
	Mounting plate, for distribution connectors		
		black 770-625	25
		white 770-675	25
	Fixing pin, for mounting plates		
		⑤ black 890-601	250
		⑥ black 770-601	250
	Lockout cap, for socket, separable, 12-pole		
		black 770-201	100
		white 770-221	100
Info	Dimensions		

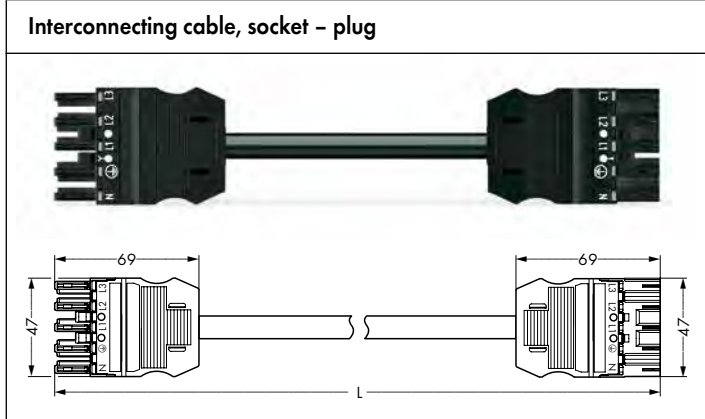
- ① Conductor sizes: 0.5–4 mm² "s + f-str"
0.5–2.5 mm² "stranded"
 - ② For "International Certification Organizations" and "Approvals – User Guide", see pages 300 to 303.
 - ③ Marine approvals (GL, LR, NV) relate exclusively to cables approved for marine applications.
 - ④ For more strain relief housings, see page 136.
 - ⑤ 5.0 mm Ø, 0.2–1.2 mm plate thickness
 - ⑥ 6.0 mm Ø, 1–2.5 mm plate thickness
- black Coding A (N ⊕ L1 L2 L3)
○ white Coding A (N ⊕ L1 L2 L3)
- For coding information, see pages 284 to 286.
Fire load data available upon request.



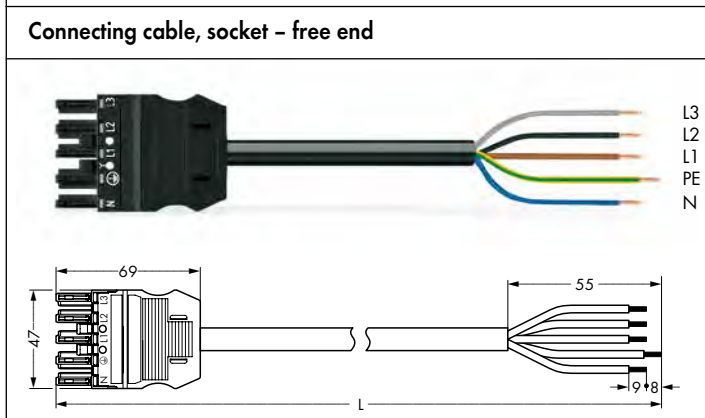
		PVC	H05VV-F 5G2.5					
		halogen-free	H05Z1Z1-F 5G2.5					
		250 V/4 kV/3	I _N 20 A					
		400 V/6 kV/3	I _N 20 A					
		Conductor ends, bonded: 9 mm						
		② ③ Approvals						
Distribution connectors with phase selection - free end		Length	Item No. black	Item No. white	Item No. black	Item No. white		
		● ○ Coding A	halogen-free					
N PE L1 L2 L3		1 m	771-8965/107-101	771-8965/107-102	771-8965/117-101	771-8965/117-102		
		2 m	771-8965/107-201	771-8965/107-202	771-8965/117-201	771-8965/117-202		
Distribution connectors with phase selection - plug		Length	Item No. black	Item No. white	Item No. black	Item No. white		
		● ○ Coding A	halogen-free					
		1 m	771-8965/007-101	771-8965/007-102	771-8965/017-101	771-8965/017-102		
		2 m	771-8965/007-201	771-8965/007-202	771-8965/017-201	771-8965/017-202		
		Accessories						
		Locking lever, for "flying leads",						
		manually operated						
			black	770-101	100	(4x25)		
			white	770-121	100	(4x25)		
		Locking lever, for "flying leads",						
		tool operated						
			black	770-111	100	(4x25)		
			white	770-131	100	(4x25)		
		Lockout cap, for socket, separable, 12-pole						
			black	770-201	100			
			white	770-221	100			
Coding pin, for plug (A and B coding)		Lockout cap, for plug, separable, 5-pole						
		gray	770-401	100				
						yellow	770-360	100

WINSTA® MIDI Cable Assemblies 5 x 1.5 mm²

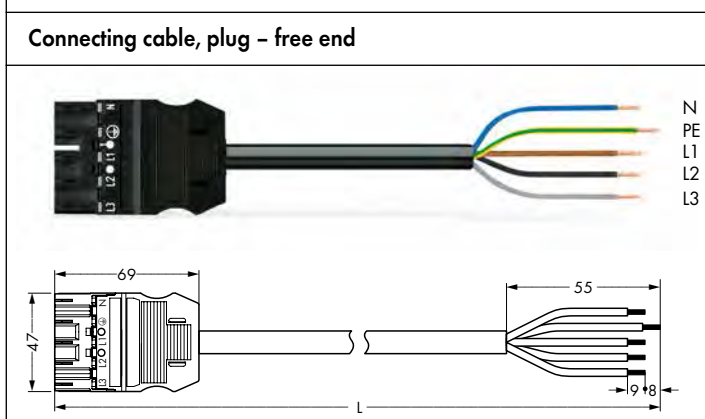
PVC	H05VV-F 5G1.5
halogen-free	H05Z1Z1-F 5G1.5
400 V/6 kV/3	I _N 16 A
Conductor ends, bonded: 9 mm	
① Approvals	



Length	Item No. black	Item No. white	Item No. black	Item No. white
● ○ Coding A				
PVC		halogen-free		
1 m	771-9995/006-101	771-9995/006-102	771-9995/016-101	771-9995/016-102
2 m	771-9995/006-201	771-9995/006-202	771-9995/016-201	771-9995/016-202
3 m	771-9995/006-301	771-9995/006-302	771-9995/016-301	771-9995/016-302
4 m	771-9995/006-401	771-9995/006-402	771-9995/016-401	771-9995/016-402
5 m	771-9995/006-501	771-9995/006-502	771-9995/016-501	771-9995/016-502
6 m	771-9995/006-601	771-9995/006-602	771-9995/016-601	771-9995/016-602
7 m	771-9995/006-701	771-9995/006-702	771-9995/016-701	771-9995/016-702
8 m	771-9995/006-801	771-9995/006-802	771-9995/016-801	771-9995/016-802



Length	Item No. black	Item No. white	Item No. black	Item No. white
● ○ Coding A				
PVC		halogen-free		
1 m	771-9995/106-101	771-9995/106-102	771-9995/116-101	771-9995/116-102
2 m	771-9995/106-201	771-9995/106-202	771-9995/116-201	771-9995/116-202
3 m	771-9995/106-301	771-9995/106-302	771-9995/116-301	771-9995/116-302
4 m	771-9995/106-401	771-9995/106-402	771-9995/116-401	771-9995/116-402
5 m	771-9995/106-501	771-9995/106-502	771-9995/116-501	771-9995/116-502
6 m	771-9995/106-601	771-9995/106-602	771-9995/116-601	771-9995/116-602
7 m	771-9995/106-701	771-9995/106-702	771-9995/116-701	771-9995/116-702
8 m	771-9995/106-801	771-9995/106-802	771-9995/116-801	771-9995/116-802



Length	Item No. black	Item No. white	Item No. black	Item No. white
● ○ Coding A				
PVC		halogen-free		
1 m	771-9995/206-101	771-9995/206-102	771-9995/216-101	771-9995/216-102
2 m	771-9995/206-201	771-9995/206-202	771-9995/216-201	771-9995/216-202
3 m	771-9995/206-301	771-9995/206-302	771-9995/216-301	771-9995/216-302
4 m	771-9995/206-401	771-9995/206-402	771-9995/216-401	771-9995/216-402
5 m	771-9995/206-501	771-9995/206-502	771-9995/216-501	771-9995/216-502
6 m	771-9995/206-601	771-9995/206-602	771-9995/216-601	771-9995/216-602
7 m	771-9995/206-701	771-9995/206-702	771-9995/216-701	771-9995/216-702
8 m	771-9995/206-801	771-9995/206-802	771-9995/216-801	771-9995/216-802

Info

Accessories

① For "International Certification Organizations" and "Approvals – User Guide", see pages 300 to 303. Marine approvals (GL, LR, NV) relate exclusively to cables approved for marine applications.

For other cables, please contact factory.

● black	Coding A	(N ⊕ L1 L2 L3)
○ white	Coding A	(N ⊕ L1 L2 L3)
● blue	Coding I	(N ⊕ L DA- DA+)

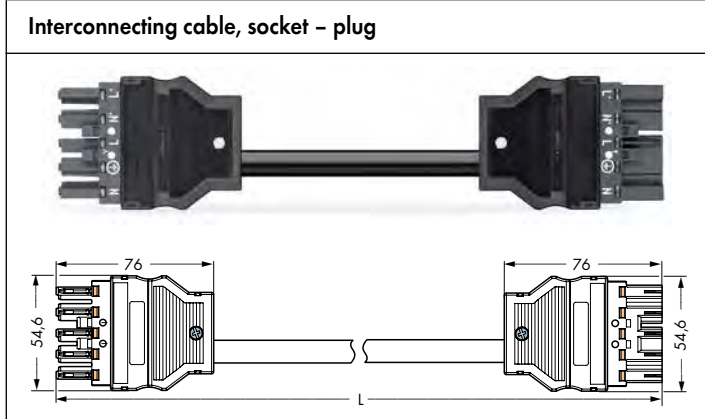
For coding information, see pages 284 to 286.
Fire load data available upon request.

	manually operated		
	black	770-101	100 (4x25)
	white	770-121	100 (4x25)
	tool operated		
	black	770-111	100 (4x25)
	white	770-131	100 (4x25)
	lockout cap, for socket, separable, 12-pole		
	black	770-201	100
	white	770-221	100
	lockout cap, for plug, separable, 5-pole		
	yellow	770-360	100

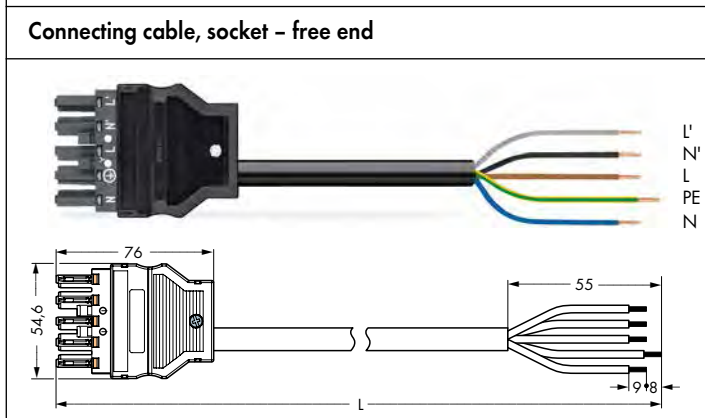
	<p>PVC H05VV-F 5G1.5 halogen-free H05Z1Z1-F 5G1.5</p> <p>400 V/6 kV/3 I_N 16 A</p> <p>Conductor ends, bonded: 9 mm</p> <p>① Approvals</p>																																																							
<p>Interconnecting cable, socket – plug</p>	<table border="1"> <thead> <tr> <th>Length</th> <th>Item No. black</th> <th>Item No. white</th> <th>Item No. black</th> <th>Item No. white</th> </tr> </thead> <tbody> <tr> <td colspan="5">● Coding I, e.g., for dimming function (DALI)</td> </tr> <tr> <td colspan="2">PVC</td> <td colspan="3">halogen-free</td> </tr> <tr> <td>1 m</td> <td>771-9985/006-101</td> <td>771-9985/006-102</td> <td>771-9985/016-101</td> <td>771-9985/016-102</td> </tr> <tr> <td>2 m</td> <td>771-9985/006-201</td> <td>771-9985/006-202</td> <td>771-9985/016-201</td> <td>771-9985/016-202</td> </tr> <tr> <td>3 m</td> <td>771-9985/006-301</td> <td>771-9985/006-302</td> <td>771-9985/016-301</td> <td>771-9985/016-302</td> </tr> <tr> <td>4 m</td> <td>771-9985/006-401</td> <td>771-9985/006-402</td> <td>771-9985/016-401</td> <td>771-9985/016-402</td> </tr> <tr> <td>5 m</td> <td>771-9985/006-501</td> <td>771-9985/006-502</td> <td>771-9985/016-501</td> <td>771-9985/016-502</td> </tr> <tr> <td>6 m</td> <td>771-9985/006-601</td> <td>771-9985/006-602</td> <td>771-9985/016-601</td> <td>771-9985/016-602</td> </tr> <tr> <td>7 m</td> <td>771-9985/006-701</td> <td>771-9985/006-702</td> <td>771-9985/016-701</td> <td>771-9985/016-702</td> </tr> <tr> <td>8 m</td> <td>771-9985/006-801</td> <td>771-9985/006-802</td> <td>771-9985/016-801</td> <td>771-9985/016-802</td> </tr> </tbody> </table>	Length	Item No. black	Item No. white	Item No. black	Item No. white	● Coding I, e.g., for dimming function (DALI)					PVC		halogen-free			1 m	771-9985/006-101	771-9985/006-102	771-9985/016-101	771-9985/016-102	2 m	771-9985/006-201	771-9985/006-202	771-9985/016-201	771-9985/016-202	3 m	771-9985/006-301	771-9985/006-302	771-9985/016-301	771-9985/016-302	4 m	771-9985/006-401	771-9985/006-402	771-9985/016-401	771-9985/016-402	5 m	771-9985/006-501	771-9985/006-502	771-9985/016-501	771-9985/016-502	6 m	771-9985/006-601	771-9985/006-602	771-9985/016-601	771-9985/016-602	7 m	771-9985/006-701	771-9985/006-702	771-9985/016-701	771-9985/016-702	8 m	771-9985/006-801	771-9985/006-802	771-9985/016-801	771-9985/016-802
Length	Item No. black	Item No. white	Item No. black	Item No. white																																																				
● Coding I, e.g., for dimming function (DALI)																																																								
PVC		halogen-free																																																						
1 m	771-9985/006-101	771-9985/006-102	771-9985/016-101	771-9985/016-102																																																				
2 m	771-9985/006-201	771-9985/006-202	771-9985/016-201	771-9985/016-202																																																				
3 m	771-9985/006-301	771-9985/006-302	771-9985/016-301	771-9985/016-302																																																				
4 m	771-9985/006-401	771-9985/006-402	771-9985/016-401	771-9985/016-402																																																				
5 m	771-9985/006-501	771-9985/006-502	771-9985/016-501	771-9985/016-502																																																				
6 m	771-9985/006-601	771-9985/006-602	771-9985/016-601	771-9985/016-602																																																				
7 m	771-9985/006-701	771-9985/006-702	771-9985/016-701	771-9985/016-702																																																				
8 m	771-9985/006-801	771-9985/006-802	771-9985/016-801	771-9985/016-802																																																				
<p>Connecting cable, socket – free end</p>	<table border="1"> <thead> <tr> <th>Length</th> <th>Item No. black</th> <th>Item No. white</th> <th>Item No. black</th> <th>Item No. white</th> </tr> </thead> <tbody> <tr> <td colspan="5">● Coding I, e.g., for dimming function (DALI)</td> </tr> <tr> <td colspan="2">PVC</td> <td colspan="3">halogen-free</td> </tr> <tr> <td>1 m</td> <td>771-9985/106-101</td> <td>771-9985/106-102</td> <td>771-9985/116-101</td> <td>771-9985/116-102</td> </tr> <tr> <td>2 m</td> <td>771-9985/106-201</td> <td>771-9985/106-202</td> <td>771-9985/116-201</td> <td>771-9985/116-202</td> </tr> <tr> <td>3 m</td> <td>771-9985/106-301</td> <td>771-9985/106-302</td> <td>771-9985/116-301</td> <td>771-9985/116-302</td> </tr> <tr> <td>4 m</td> <td>771-9985/106-401</td> <td>771-9985/106-402</td> <td>771-9985/116-401</td> <td>771-9985/116-402</td> </tr> <tr> <td>5 m</td> <td>771-9985/106-501</td> <td>771-9985/106-502</td> <td>771-9985/116-501</td> <td>771-9985/116-502</td> </tr> <tr> <td>6 m</td> <td>771-9985/106-601</td> <td>771-9985/106-602</td> <td>771-9985/116-601</td> <td>771-9985/116-602</td> </tr> <tr> <td>7 m</td> <td>771-9985/106-701</td> <td>771-9985/106-702</td> <td>771-9985/116-701</td> <td>771-9985/116-702</td> </tr> <tr> <td>8 m</td> <td>771-9985/106-801</td> <td>771-9985/106-802</td> <td>771-9985/116-801</td> <td>771-9985/116-802</td> </tr> </tbody> </table>	Length	Item No. black	Item No. white	Item No. black	Item No. white	● Coding I, e.g., for dimming function (DALI)					PVC		halogen-free			1 m	771-9985/106-101	771-9985/106-102	771-9985/116-101	771-9985/116-102	2 m	771-9985/106-201	771-9985/106-202	771-9985/116-201	771-9985/116-202	3 m	771-9985/106-301	771-9985/106-302	771-9985/116-301	771-9985/116-302	4 m	771-9985/106-401	771-9985/106-402	771-9985/116-401	771-9985/116-402	5 m	771-9985/106-501	771-9985/106-502	771-9985/116-501	771-9985/116-502	6 m	771-9985/106-601	771-9985/106-602	771-9985/116-601	771-9985/116-602	7 m	771-9985/106-701	771-9985/106-702	771-9985/116-701	771-9985/116-702	8 m	771-9985/106-801	771-9985/106-802	771-9985/116-801	771-9985/116-802
Length	Item No. black	Item No. white	Item No. black	Item No. white																																																				
● Coding I, e.g., for dimming function (DALI)																																																								
PVC		halogen-free																																																						
1 m	771-9985/106-101	771-9985/106-102	771-9985/116-101	771-9985/116-102																																																				
2 m	771-9985/106-201	771-9985/106-202	771-9985/116-201	771-9985/116-202																																																				
3 m	771-9985/106-301	771-9985/106-302	771-9985/116-301	771-9985/116-302																																																				
4 m	771-9985/106-401	771-9985/106-402	771-9985/116-401	771-9985/116-402																																																				
5 m	771-9985/106-501	771-9985/106-502	771-9985/116-501	771-9985/116-502																																																				
6 m	771-9985/106-601	771-9985/106-602	771-9985/116-601	771-9985/116-602																																																				
7 m	771-9985/106-701	771-9985/106-702	771-9985/116-701	771-9985/116-702																																																				
8 m	771-9985/106-801	771-9985/106-802	771-9985/116-801	771-9985/116-802																																																				
<p>Connecting cable, plug – free end</p>	<table border="1"> <thead> <tr> <th>Length</th> <th>Item No. black</th> <th>Item No. white</th> <th>Item No. black</th> <th>Item No. white</th> </tr> </thead> <tbody> <tr> <td colspan="5">● Coding I, e.g., for dimming function (DALI)</td> </tr> <tr> <td colspan="2">PVC</td> <td colspan="3">halogen-free</td> </tr> <tr> <td>1 m</td> <td>771-9985/206-101</td> <td>771-9985/206-102</td> <td>771-9985/216-101</td> <td>771-9985/216-102</td> </tr> <tr> <td>2 m</td> <td>771-9985/206-201</td> <td>771-9985/206-202</td> <td>771-9985/216-201</td> <td>771-9985/216-202</td> </tr> <tr> <td>3 m</td> <td>771-9985/206-301</td> <td>771-9985/206-302</td> <td>771-9985/216-301</td> <td>771-9985/216-302</td> </tr> <tr> <td>4 m</td> <td>771-9985/206-401</td> <td>771-9985/206-402</td> <td>771-9985/216-401</td> <td>771-9985/216-402</td> </tr> <tr> <td>5 m</td> <td>771-9985/206-501</td> <td>771-9985/206-502</td> <td>771-9985/216-501</td> <td>771-9985/216-502</td> </tr> <tr> <td>6 m</td> <td>771-9985/206-601</td> <td>771-9985/206-602</td> <td>771-9985/216-601</td> <td>771-9985/216-602</td> </tr> <tr> <td>7 m</td> <td>771-9985/206-701</td> <td>771-9985/206-702</td> <td>771-9985/216-701</td> <td>771-9985/216-702</td> </tr> <tr> <td>8 m</td> <td>771-9985/206-801</td> <td>771-9985/206-802</td> <td>771-9985/216-801</td> <td>771-9985/216-802</td> </tr> </tbody> </table>	Length	Item No. black	Item No. white	Item No. black	Item No. white	● Coding I, e.g., for dimming function (DALI)					PVC		halogen-free			1 m	771-9985/206-101	771-9985/206-102	771-9985/216-101	771-9985/216-102	2 m	771-9985/206-201	771-9985/206-202	771-9985/216-201	771-9985/216-202	3 m	771-9985/206-301	771-9985/206-302	771-9985/216-301	771-9985/216-302	4 m	771-9985/206-401	771-9985/206-402	771-9985/216-401	771-9985/216-402	5 m	771-9985/206-501	771-9985/206-502	771-9985/216-501	771-9985/216-502	6 m	771-9985/206-601	771-9985/206-602	771-9985/216-601	771-9985/216-602	7 m	771-9985/206-701	771-9985/206-702	771-9985/216-701	771-9985/216-702	8 m	771-9985/206-801	771-9985/206-802	771-9985/216-801	771-9985/216-802
Length	Item No. black	Item No. white	Item No. black	Item No. white																																																				
● Coding I, e.g., for dimming function (DALI)																																																								
PVC		halogen-free																																																						
1 m	771-9985/206-101	771-9985/206-102	771-9985/216-101	771-9985/216-102																																																				
2 m	771-9985/206-201	771-9985/206-202	771-9985/216-201	771-9985/216-202																																																				
3 m	771-9985/206-301	771-9985/206-302	771-9985/216-301	771-9985/216-302																																																				
4 m	771-9985/206-401	771-9985/206-402	771-9985/216-401	771-9985/216-402																																																				
5 m	771-9985/206-501	771-9985/206-502	771-9985/216-501	771-9985/216-502																																																				
6 m	771-9985/206-601	771-9985/206-602	771-9985/216-601	771-9985/216-602																																																				
7 m	771-9985/206-701	771-9985/206-702	771-9985/216-701	771-9985/216-702																																																				
8 m	771-9985/206-801	771-9985/206-802	771-9985/216-801	771-9985/216-802																																																				
	<p>Accessories</p> <p>Locking lever, for "flying leads", manually operated</p> <table border="1"> <tr> <td>black</td> <td>770-101</td> <td>100 (4x25)</td> </tr> <tr> <td>white</td> <td>770-121</td> <td>100 (4x25)</td> </tr> </table> <p>Locking lever, for "flying leads", tool operated</p> <table border="1"> <tr> <td>black</td> <td>770-111</td> <td>100 (4x25)</td> </tr> <tr> <td>white</td> <td>770-131</td> <td>100 (4x25)</td> </tr> </table> <p>Lockout cap, for socket, separable, 12-pole</p> <table border="1"> <tr> <td>black</td> <td>770-201</td> <td>100</td> </tr> <tr> <td>white</td> <td>770-221</td> <td>100</td> </tr> </table>	black	770-101	100 (4x25)	white	770-121	100 (4x25)	black	770-111	100 (4x25)	white	770-131	100 (4x25)	black	770-201	100	white	770-221	100																																					
black	770-101	100 (4x25)																																																						
white	770-121	100 (4x25)																																																						
black	770-111	100 (4x25)																																																						
white	770-131	100 (4x25)																																																						
black	770-201	100																																																						
white	770-221	100																																																						
<p>Coding pin, for plug (A and B coding)</p> <table border="1"> <tr> <td>gray</td> <td>770-401</td> <td>100</td> </tr> </table>	gray	770-401	100	<p>Lockout cap, for plug, separable, 5-pole</p> <table border="1"> <tr> <td>yellow</td> <td>770-360</td> <td>100</td> </tr> </table>	yellow	770-360	100																																																	
gray	770-401	100																																																						
yellow	770-360	100																																																						

Recommended items are shown in red and available for immediate delivery!

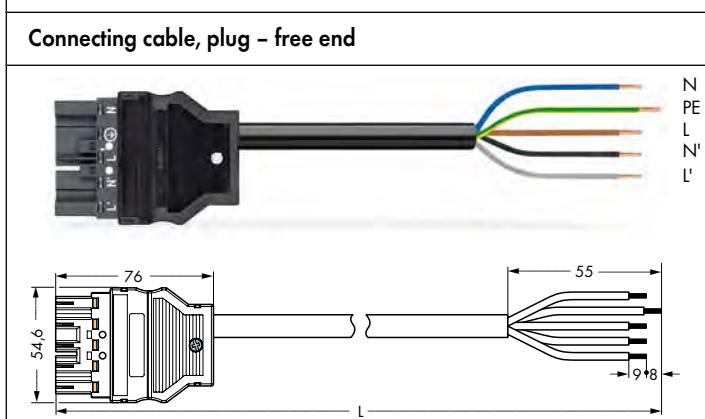
	PVC	H05VV-F 5G1.5
	halogen-free	H05Z1Z1-F 5G1.5
	400 V/6 kV/3	I _N 16 A
	Conductor ends, bonded: 9 mm	
	① Approvals	



Length	Item No. black	Item No. white	Item No. black	Item No. white
● Coding L				
PVC		halogen-free		
1 m	771-8985/006-103	771-8985/006-104	771-8985/016-103	771-8985/016-104
2 m	771-8985/006-203	771-8985/006-204	771-8985/016-203	771-8985/016-204
3 m	771-8985/006-303	771-8985/006-304	771-8985/016-303	771-8985/016-304
4 m	771-8985/006-403	771-8985/006-404	771-8985/016-403	771-8985/016-404
5 m	771-8985/006-503	771-8985/006-504	771-8985/016-503	771-8985/016-504
6 m	771-8985/006-603	771-8985/006-604	771-8985/016-603	771-8985/016-604
7 m	771-8985/006-703	771-8985/006-704	771-8985/016-703	771-8985/016-704
8 m	771-8985/006-803	771-8985/006-804	771-8985/016-803	771-8985/016-804



Length	Item No. black	Item No. white	Item No. black	Item No. white
● Coding L				
PVC		halogen-free		
1 m	771-8985/106-103	771-8985/106-104	771-8985/116-103	771-8985/116-104
2 m	771-8985/106-203	771-8985/106-204	771-8985/116-203	771-8985/116-204
3 m	771-8985/106-303	771-8985/106-304	771-8985/116-303	771-8985/116-304
4 m	771-8985/106-403	771-8985/106-404	771-8985/116-403	771-8985/116-404
5 m	771-8985/106-503	771-8985/106-504	771-8985/116-503	771-8985/116-504
6 m	771-8985/106-603	771-8985/106-604	771-8985/116-603	771-8985/116-604
7 m	771-8985/106-703	771-8985/106-704	771-8985/116-703	771-8985/116-704
8 m	771-8985/106-803	771-8985/106-804	771-8985/116-803	771-8985/116-804



Length	Item No. black	Item No. white	Item No. black	Item No. white
● Coding L				
PVC		halogen-free		
1 m	771-8985/206-103	771-8985/206-104	771-8985/216-103	771-8985/216-104
2 m	771-8985/206-203	771-8985/206-204	771-8985/216-203	771-8985/216-204
3 m	771-8985/206-303	771-8985/206-304	771-8985/216-303	771-8985/216-304
4 m	771-8985/206-403	771-8985/206-404	771-8985/216-403	771-8985/216-404
5 m	771-8985/206-503	771-8985/206-504	771-8985/216-503	771-8985/216-504
6 m	771-8985/206-603	771-8985/206-604	771-8985/216-603	771-8985/216-604
7 m	771-8985/206-703	771-8985/206-704	771-8985/216-703	771-8985/216-704
8 m	771-8985/206-803	771-8985/206-804	771-8985/216-803	771-8985/216-804

Info

① For "International Certification Organizations" and "Approvals – User Guide", see pages 300 to 303. Marine approvals (GL, LR, NV) relate exclusively to cables approved for marine applications.

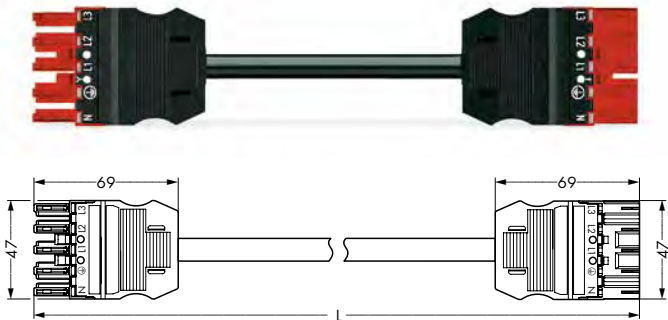
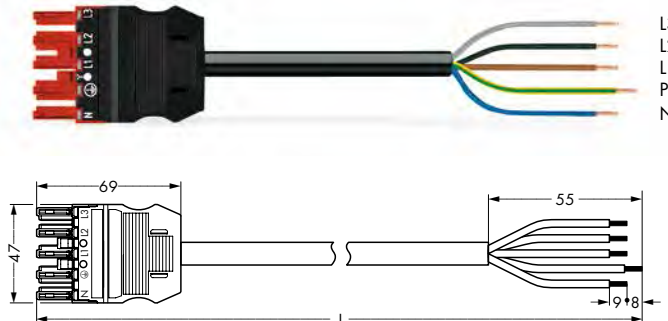
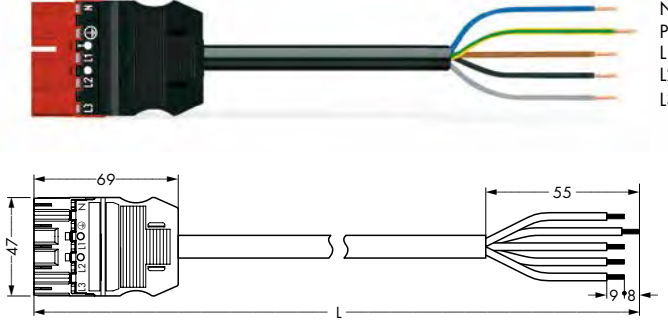




For other cables, please contact factory.

● dark gray	Coding L	(N ⊕ L N' L')
● red	Coding P	(N ⊕ L1 L2 L3)

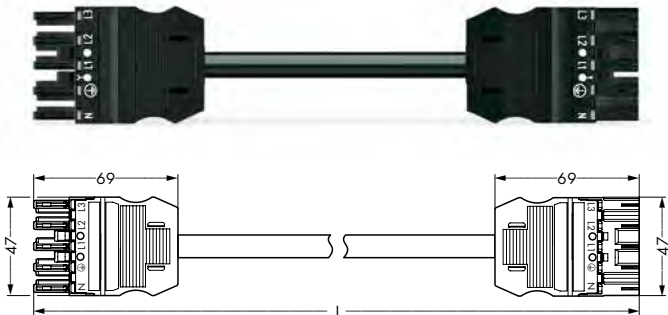
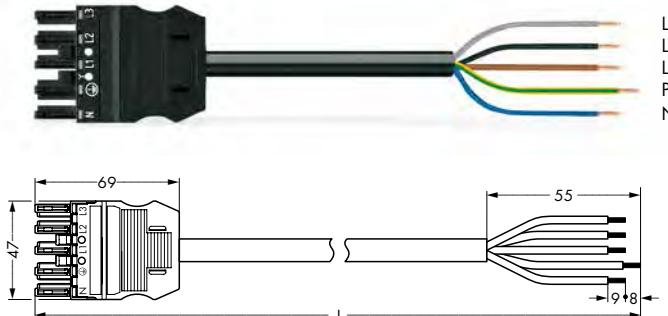
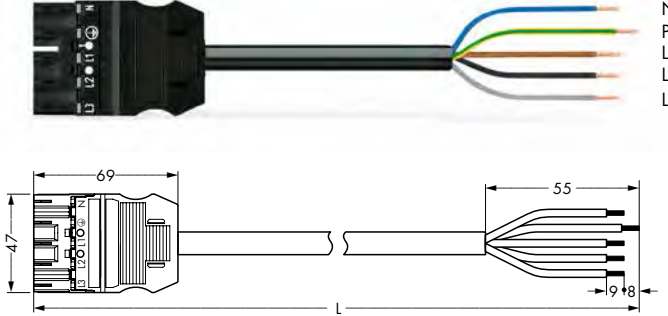
For coding information, see pages 284 to 286.
Fire load data available upon request.

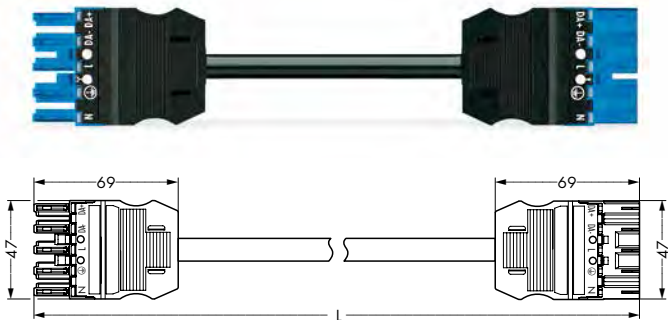
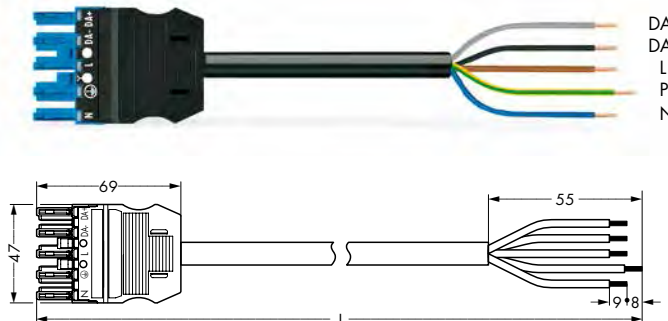
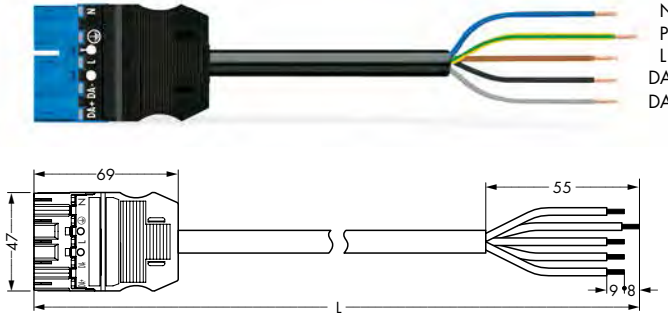
Accessories

	manually operated		
	black	770-101	100 (4x25)
	white	770-121	100 (4x25)
	tool operated		
	black	770-111	100 (4x25)
	white	770-131	100 (4x25)
	Lockout cap, for socket, separable, 12-pole		
	black	770-201	100
	white	770-221	100
	Lockout cap, for plug, separable, 5-pole		
	yellow	770-360	100

	PVC	H05VV-F 5G1.5			
	halogen-free	H05Z1Z1-F 5G1.5			
	400 V/6 kV/3 I _N 16 A				
	Conductor ends, bonded: 9 mm				
	① Approvals				
Interconnecting cable, socket – plug	Length	Item No. black	Item No. white	Item No. black	Item No. white
	● Coding P				
	PVC		halogen-free		
1 m	771-9975/006-101	771-9975/006-102	771-9975/016-101	771-9975/016-102	
2 m	771-9975/006-201	771-9975/006-202	771-9975/016-201	771-9975/016-202	
3 m	771-9975/006-301	771-9975/006-302	771-9975/016-301	771-9975/016-302	
4 m	771-9975/006-401	771-9975/006-402	771-9975/016-401	771-9975/016-402	
5 m	771-9975/006-501	771-9975/006-502	771-9975/016-501	771-9975/016-502	
6 m	771-9975/006-601	771-9975/006-602	771-9975/016-601	771-9975/016-602	
7 m	771-9975/006-701	771-9975/006-702	771-9975/016-701	771-9975/016-702	
8 m	771-9975/006-801	771-9975/006-802	771-9975/016-801	771-9975/016-802	
Connecting cable, socket – free end	Length	Item No. black	Item No. white	Item No. black	Item No. white
	● Coding P				
	PVC		halogen-free		
1 m	771-9975/106-101	771-9975/106-102	771-9975/116-101	771-9975/116-102	
2 m	771-9975/106-201	771-9975/106-202	771-9975/116-201	771-9975/116-202	
3 m	771-9975/106-301	771-9975/106-302	771-9975/116-301	771-9975/116-302	
4 m	771-9975/106-401	771-9975/106-402	771-9975/116-401	771-9975/116-402	
5 m	771-9975/106-501	771-9975/106-502	771-9975/116-501	771-9975/116-502	
6 m	771-9975/106-601	771-9975/106-602	771-9975/116-601	771-9975/116-602	
7 m	771-9975/106-701	771-9975/106-702	771-9975/116-701	771-9975/116-702	
8 m	771-9975/106-801	771-9975/106-802	771-9975/116-801	771-9975/116-802	
Connecting cable, plug – free end	Length	Item No. black	Item No. white	Item No. black	Item No. white
	● Coding P				
	PVC		halogen-free		
1 m	771-9975/206-101	771-9975/206-102	771-9975/216-101	771-9975/216-102	
2 m	771-9975/206-201	771-9975/206-202	771-9975/216-201	771-9975/216-202	
3 m	771-9975/206-301	771-9975/206-302	771-9975/216-301	771-9975/216-302	
4 m	771-9975/206-401	771-9975/206-402	771-9975/216-401	771-9975/216-402	
5 m	771-9975/206-501	771-9975/206-502	771-9975/216-501	771-9975/216-502	
6 m	771-9975/206-601	771-9975/206-602	771-9975/216-601	771-9975/216-602	
7 m	771-9975/206-701	771-9975/206-702	771-9975/216-701	771-9975/216-702	
8 m	771-9975/206-801	771-9975/206-802	771-9975/216-801	771-9975/216-802	
	Accessories				
	Locking lever, for "flying leads",				
		manually operated			
		black	770-101	100	(4x25)
		white	770-121	100	(4x25)
	Locking lever, for "flying leads",				
		tool operated			
		black	770-111	100	(4x25)
		white	770-131	100	(4x25)
	Lockout cap, for socket, separable, 12-pole				
		black	770-201	100	
		white	770-221	100	
	Lockout cap, for plug, separable, 5-pole				
		yellow	770-360	100	

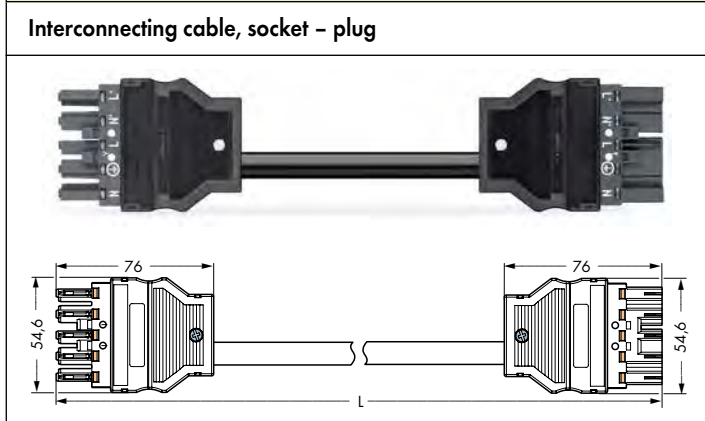
WINSTA® MIDI Cable Assemblies 5 x 2.5 mm²

		PVC halogen-free	H05VV-F 5G2.5 H05Z1Z1-F 5G2.5			
		400 V/6 kV/3 I _N 20 A				
		Conductor ends, bonded: 9 mm				
		① Approvals				
Interconnecting cable, socket – plug		Length	Item No. black	Item No. white	Item No. black	Item No. white
		● ○ Coding A				
		PVC		halogen-free		
		1 m	771-9995/007-101	771-9995/007-102	771-9995/017-101	771-9995/017-102
		2 m	771-9995/007-201	771-9995/007-202	771-9995/017-201	771-9995/017-202
		3 m	771-9995/007-301	771-9995/007-302	771-9995/017-301	771-9995/017-302
		4 m	771-9995/007-401	771-9995/007-402	771-9995/017-401	771-9995/017-402
		5 m	771-9995/007-501	771-9995/007-502	771-9995/017-501	771-9995/017-502
		6 m	771-9995/007-601	771-9995/007-602	771-9995/017-601	771-9995/017-602
		7 m	771-9995/007-701	771-9995/007-702	771-9995/017-701	771-9995/017-702
		8 m	771-9995/007-801	771-9995/007-802	771-9995/017-801	771-9995/017-802
Connecting cable, socket – free end		Length	Item No. black	Item No. white	Item No. black	Item No. white
		● ○ Coding A				
		PVC		halogen-free		
		1 m	771-9995/107-101	771-9995/107-102	771-9995/117-101	771-9995/117-102
		2 m	771-9995/107-201	771-9995/107-202	771-9995/117-201	771-9995/117-202
		3 m	771-9995/107-301	771-9995/107-302	771-9995/117-301	771-9995/117-302
		4 m	771-9995/107-401	771-9995/107-402	771-9995/117-401	771-9995/117-402
		5 m	771-9995/107-501	771-9995/107-502	771-9995/117-501	771-9995/117-502
		6 m	771-9995/107-601	771-9995/107-602	771-9995/117-601	771-9995/117-602
		7 m	771-9995/107-701	771-9995/107-702	771-9995/117-701	771-9995/117-702
		8 m	771-9995/107-801	771-9995/107-802	771-9995/117-801	771-9995/117-802
Connecting cable, plug – free end		Length	Item No. black	Item No. white	Item No. black	Item No. white
		● ○ Coding A				
		PVC		halogen-free		
		1 m	771-9995/207-101	771-9995/207-102	771-9995/217-101	771-9995/217-102
		2 m	771-9995/207-201	771-9995/207-202	771-9995/217-201	771-9995/217-202
		3 m	771-9995/207-301	771-9995/207-302	771-9995/217-301	771-9995/217-302
		4 m	771-9995/207-401	771-9995/207-402	771-9995/217-401	771-9995/217-402
		5 m	771-9995/207-501	771-9995/207-502	771-9995/217-501	771-9995/217-502
		6 m	771-9995/207-601	771-9995/207-602	771-9995/217-601	771-9995/217-602
		7 m	771-9995/207-701	771-9995/207-702	771-9995/217-701	771-9995/217-702
		8 m	771-9995/207-801	771-9995/207-802	771-9995/217-801	771-9995/217-802
Info		Accessories				
<p>① For "International Certification Organizations" and "Approvals – User Guide", see pages 300 to 303. Marine approvals (GL, LR, NV) relate exclusively to cables approved for marine applications.</p> <p>For other cables, please contact factory.</p> <p>● black Coding A (N ⊕ L1 L2 L3) ○ white Coding A (N ⊕ L1 L2 L3) ● blue Coding I (N ⊕ L DA- DA+)</p> <p>For coding information, see pages 284 to 286. Fire load data available upon request.</p>		<p>Locking lever, for "flying leads", manually operated</p> <p>black 770-101 100 (4x25) white 770-121 100 (4x25)</p>				
		<p>Locking lever, for "flying leads", tool operated</p> <p>black 770-111 100 (4x25) white 770-131 100 (4x25)</p>				
		<p>Lockout cap, for socket, separable, 12-pole</p> <p>black 770-201 100 white 770-221 100</p>				
		<p>Lockout cap, for plug, separable, 5-pole</p> <p>yellow 770-360 100</p>				
		<p>Locking lever, for "flying leads", manually operated</p> <p>black 770-101 100 (4x25) white 770-121 100 (4x25)</p>				
		<p>Locking lever, for "flying leads", tool operated</p> <p>black 770-111 100 (4x25) white 770-131 100 (4x25)</p>				
		<p>Lockout cap, for socket, separable, 12-pole</p> <p>black 770-201 100 white 770-221 100</p>				
		<p>Lockout cap, for plug, separable, 5-pole</p> <p>yellow 770-360 100</p>				
		<p>Locking lever, for "flying leads", manually operated</p> <p>black 770-101 100 (4x25) white 770-121 100 (4x25)</p>				
		<p>Locking lever, for "flying leads", tool operated</p> <p>black 770-111 100 (4x25) white 770-131 100 (4x25)</p>				

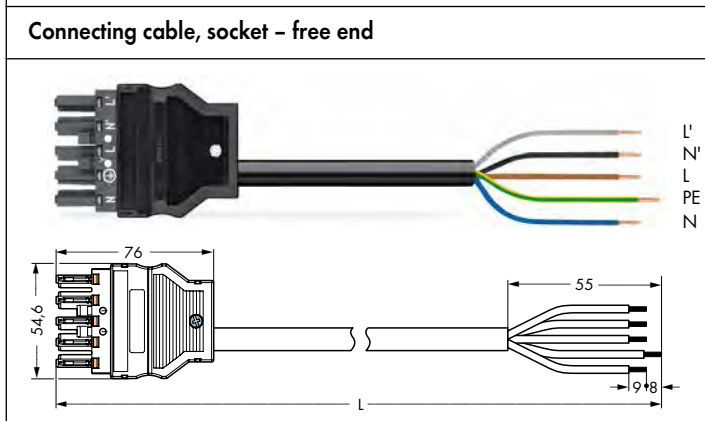
	PVC	H05VV-F 5G2.5			
	halogen-free	H05Z1Z1-F 5G2.5			
	400 V/6 kV/3 I _N 20 A				
	Conductor ends, bonded: 9 mm				
	① Approvals				
Interconnecting cable, socket – plug	Length	Item No. black	Item No. white	Item No. black	Item No. white
	● Coding I, e.g., for dimming function (DALI)				
	PVC		halogen-free		
	1 m	771-9985/007-101	771-9985/007-102	771-9985/017-101	771-9985/017-102
	2 m	771-9985/007-201	771-9985/007-202	771-9985/017-201	771-9985/017-202
	3 m	771-9985/007-301	771-9985/007-302	771-9985/017-301	771-9985/017-302
	4 m	771-9985/007-401	771-9985/007-402	771-9985/017-401	771-9985/017-402
	5 m	771-9985/007-501	771-9985/007-502	771-9985/017-501	771-9985/017-502
	6 m	771-9985/007-601	771-9985/007-602	771-9985/017-601	771-9985/017-602
	7 m	771-9985/007-701	771-9985/007-702	771-9985/017-701	771-9985/017-702
	8 m	771-9985/007-801	771-9985/007-802	771-9985/017-801	771-9985/017-802
Connecting cable, socket – free end	Length	Item No. black	Item No. white	Item No. black	Item No. white
	● Coding I, e.g., for dimming function (DALI)				
	PVC		halogen-free		
	1 m	771-9985/107-101	771-9985/107-102	771-9985/117-101	771-9985/117-102
	2 m	771-9985/107-201	771-9985/107-202	771-9985/117-201	771-9985/117-202
	3 m	771-9985/107-301	771-9985/107-302	771-9985/117-301	771-9985/117-302
	4 m	771-9985/107-401	771-9985/107-402	771-9985/117-401	771-9985/117-402
	5 m	771-9985/107-501	771-9985/107-502	771-9985/117-501	771-9985/117-502
	6 m	771-9985/107-601	771-9985/107-602	771-9985/117-601	771-9985/117-602
	7 m	771-9985/107-701	771-9985/107-702	771-9985/117-701	771-9985/117-702
	8 m	771-9985/107-801	771-9985/107-802	771-9985/117-801	771-9985/117-802
Connecting cable, plug – free end	Length	Item No. black	Item No. white	Item No. black	Item No. white
	● Coding I, e.g., for dimming function (DALI)				
	PVC		halogen-free		
	1 m	771-9985/207-101	771-9985/207-102	771-9985/217-101	771-9985/217-102
	2 m	771-9985/207-201	771-9985/207-202	771-9985/217-201	771-9985/217-202
	3 m	771-9985/207-301	771-9985/207-302	771-9985/217-301	771-9985/217-302
	4 m	771-9985/207-401	771-9985/207-402	771-9985/217-401	771-9985/217-402
	5 m	771-9985/207-501	771-9985/207-502	771-9985/217-501	771-9985/217-502
	6 m	771-9985/207-601	771-9985/207-602	771-9985/217-601	771-9985/217-602
	7 m	771-9985/207-701	771-9985/207-702	771-9985/217-701	771-9985/217-702
	8 m	771-9985/207-801	771-9985/207-802	771-9985/217-801	771-9985/217-802
Accessories					
Locking lever, for "flying leads", manually operated					
		black	770-101	100	(4x25)
		white	770-121	100	(4x25)
Locking lever, for "flying leads", tool operated					
		black	770-111	100	(4x25)
		white	770-131	100	(4x25)
Lockout cap, for socket, separable, 12-pole					
		black	770-201	100	
		white	770-221	100	
Lockout cap, for plug, separable, 5-pole					
		yellow	770-360	100	

Recommended items are shown in red and available for immediate delivery!

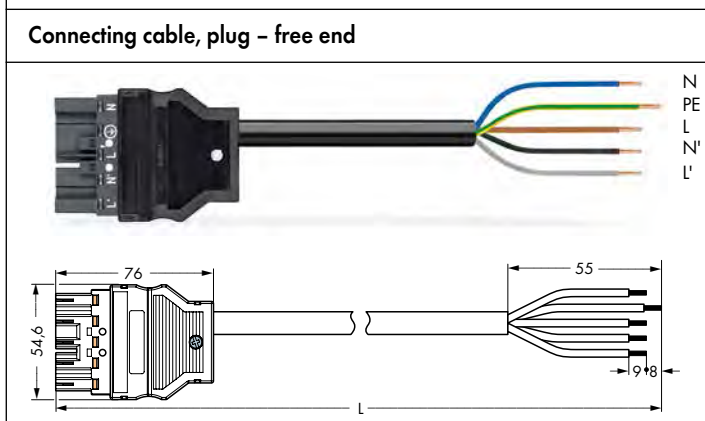
	PVC	H05VV-F 5G2.5
	halogen-free	H05Z1Z1-F 5G2.5
	400 V/6 kV/3	I _N 20 A
	Conductor ends, bonded: 9 mm	
	① Approvals	



Length	Item No. black	Item No. white	Item No. black	Item No. white
● Coding L				
PVC		halogen-free		
1 m	771-8985/007-103	771-8985/007-104	771-8985/017-103	771-8985/017-104
2 m	771-8985/007-203	771-8985/007-204	771-8985/017-203	771-8985/017-204
3 m	771-8985/007-303	771-8985/007-304	771-8985/017-303	771-8985/017-304
4 m	771-8985/007-403	771-8985/007-404	771-8985/017-403	771-8985/017-404
5 m	771-8985/007-503	771-8985/007-504	771-8985/017-503	771-8985/017-504
6 m	771-8985/007-603	771-8985/007-604	771-8985/017-603	771-8985/017-604
7 m	771-8985/007-703	771-8985/007-704	771-8985/017-703	771-8985/017-704
8 m	771-8985/007-803	771-8985/007-804	771-8985/017-803	771-8985/017-804



Length	Item No. black	Item No. white	Item No. black	Item No. white
● Coding L				
PVC		halogen-free		
1 m	771-8985/107-103	771-8985/107-104	771-8985/117-103	771-8985/117-104
2 m	771-8985/107-203	771-8985/107-204	771-8985/117-203	771-8985/117-204
3 m	771-8985/107-303	771-8985/107-304	771-8985/117-303	771-8985/117-304
4 m	771-8985/107-403	771-8985/107-404	771-8985/117-403	771-8985/117-404
5 m	771-8985/107-503	771-8985/107-504	771-8985/117-503	771-8985/117-504
6 m	771-8985/107-603	771-8985/107-604	771-8985/117-603	771-8985/117-604
7 m	771-8985/107-703	771-8985/107-704	771-8985/117-703	771-8985/117-704
8 m	771-8985/107-803	771-8985/107-804	771-8985/117-803	771-8985/117-804



Length	Item No. black	Item No. white	Item No. black	Item No. white
● Coding L				
PVC		halogen-free		
1 m	771-8985/207-103	771-8985/207-104	771-8985/217-103	771-8985/217-104
2 m	771-8985/207-203	771-8985/207-204	771-8985/217-203	771-8985/217-204
3 m	771-8985/207-303	771-8985/207-304	771-8985/217-303	771-8985/217-304
4 m	771-8985/207-403	771-8985/207-404	771-8985/217-403	771-8985/217-404
5 m	771-8985/207-503	771-8985/207-504	771-8985/217-503	771-8985/217-504
6 m	771-8985/207-603	771-8985/207-604	771-8985/217-603	771-8985/217-604
7 m	771-8985/207-703	771-8985/207-704	771-8985/217-703	771-8985/217-704
8 m	771-8985/207-803	771-8985/207-804	771-8985/217-803	771-8985/217-804

Info

① For "International Certification Organizations" and "Approvals – User Guide", see pages 300 to 303. Marine approvals (GL, LR, NV) relate exclusively to cables approved for marine applications.

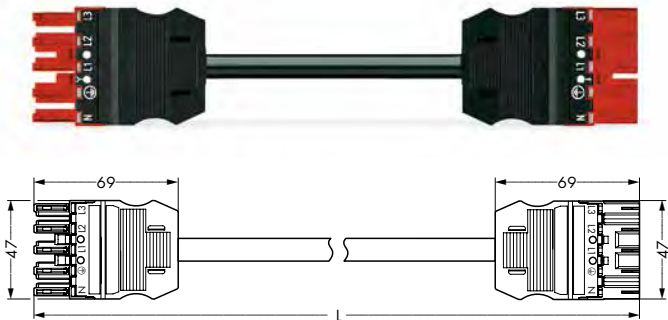
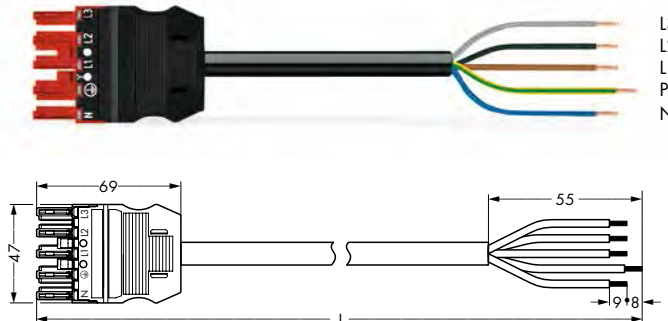
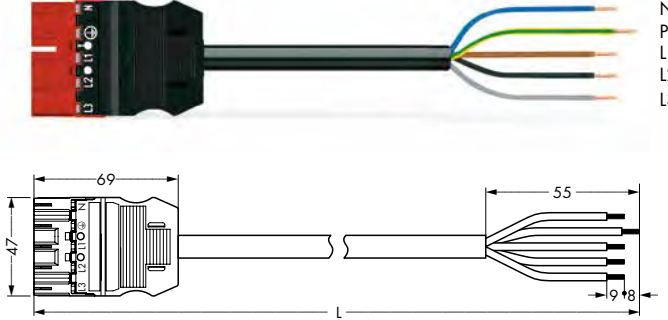




For other cables, please contact factory.

● dark gray	Coding L	(N ⊕ L N' L')
● red	Coding P	(N ⊕ L1 L2 L3)

For coding information, see pages 284 to 286.
Fire load data available upon request.

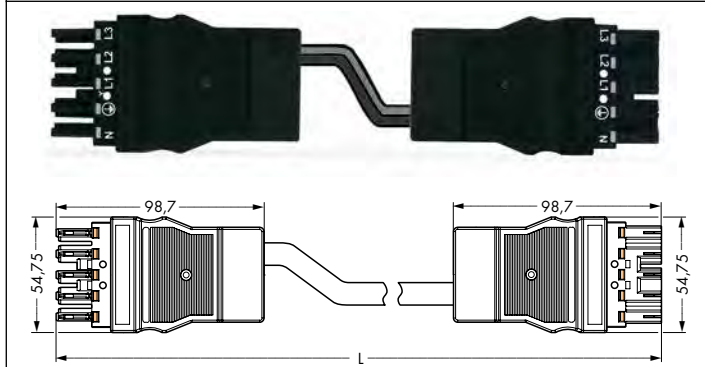
Accessories

	manually operated		
	black	770-101	100 (4x25)
	white	770-121	100 (4x25)
	tool operated		
	black	770-111	100 (4x25)
	white	770-131	100 (4x25)
	Lockout cap, for socket, separable, 12-pole		
	black	770-201	100
	white	770-221	100
	Lockout cap, for plug, separable, 5-pole		
	yellow	770-360	100

	PVC	H05VV-F 5G2.5			
	halogen-free	H05Z1Z1-F 5G2.5			
	400 V/6 kV/3 I _N 20 A				
	Conductor ends, bonded: 9 mm				
	① Approvals				
Interconnecting cable, socket – plug	Length	Item No. black	Item No. white	Item No. black	Item No. white
	● Coding P	PVC		halogen-free	
	1 m	771-9975/007-101	771-9975/007-102	771-9975/017-101	771-9975/017-102
	2 m	771-9975/007-201	771-9975/007-202	771-9975/017-201	771-9975/017-202
	3 m	771-9975/007-301	771-9975/007-302	771-9975/017-301	771-9975/017-302
	4 m	771-9975/007-401	771-9975/007-402	771-9975/017-401	771-9975/017-402
	5 m	771-9975/007-501	771-9975/007-502	771-9975/017-501	771-9975/017-502
	6 m	771-9975/007-601	771-9975/007-602	771-9975/017-601	771-9975/017-602
	7 m	771-9975/007-701	771-9975/007-702	771-9975/017-701	771-9975/017-702
	8 m	771-9975/007-801	771-9975/007-802	771-9975/017-801	771-9975/017-802
Connecting cable, socket – free end	Length	Item No. black	Item No. white	Item No. black	Item No. white
	● Coding P	PVC		halogen-free	
	1 m	771-9975/107-101	771-9975/107-102	771-9975/117-101	771-9975/117-102
	2 m	771-9975/107-201	771-9975/107-202	771-9975/117-201	771-9975/117-202
	3 m	771-9975/107-301	771-9975/107-302	771-9975/117-301	771-9975/117-302
	4 m	771-9975/107-401	771-9975/107-402	771-9975/117-401	771-9975/117-402
	5 m	771-9975/107-501	771-9975/107-502	771-9975/117-501	771-9975/117-502
	6 m	771-9975/107-601	771-9975/107-602	771-9975/117-601	771-9975/117-602
	7 m	771-9975/107-701	771-9975/107-702	771-9975/117-701	771-9975/117-702
	8 m	771-9975/107-801	771-9975/107-802	771-9975/117-801	771-9975/117-802
Connecting cable, plug – free end	Length	Item No. black	Item No. white	Item No. black	Item No. white
	● Coding P	PVC		halogen-free	
	1 m	771-9975/207-101	771-9975/207-102	771-9975/217-101	771-9975/217-102
	2 m	771-9975/207-201	771-9975/207-202	771-9975/217-201	771-9975/217-202
	3 m	771-9975/207-301	771-9975/207-302	771-9975/217-301	771-9975/217-302
	4 m	771-9975/207-401	771-9975/207-402	771-9975/217-401	771-9975/217-402
	5 m	771-9975/207-501	771-9975/207-502	771-9975/217-501	771-9975/217-502
	6 m	771-9975/207-601	771-9975/207-602	771-9975/217-601	771-9975/217-602
	7 m	771-9975/207-701	771-9975/207-702	771-9975/217-701	771-9975/217-702
	8 m	771-9975/207-801	771-9975/207-802	771-9975/217-801	771-9975/217-802
	Accessories				
	Locking lever, for "flying leads",				
		manually operated			
		black	770-101	100	(4x25)
		white	770-121	100	(4x25)
	Locking lever, for "flying leads",				
		tool operated			
		black	770-111	100	(4x25)
		white	770-131	100	(4x25)
	Lockout cap, for socket, separable, 12-pole				
		black	770-201	100	
		white	770-221	100	
	Lockout cap, for plug, separable, 5-pole				
		yellow	770-360	100	

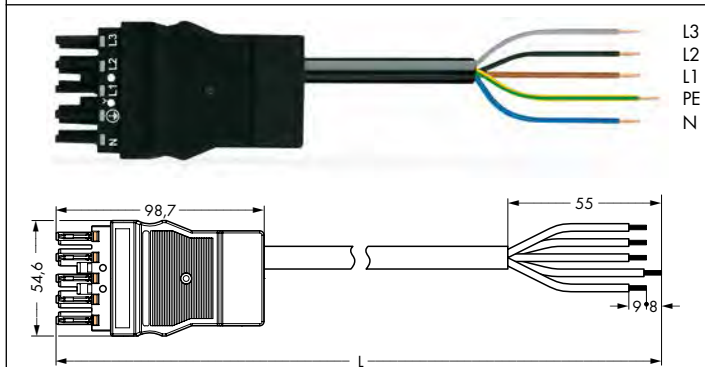
	<p>PVC H05VV-F 5G4 halogen-free (H)05 Z1Z1-F 5G4</p> <p>400 V/6 kV/3 I_N 25 A</p> <p>Conductor ends, bonded: 9 mm</p> <p>① Approvals</p>
--	--

Interconnecting cable, socket – plug



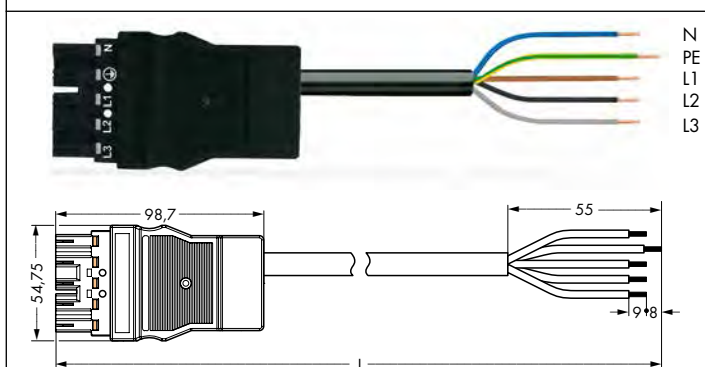
Length	Item No. black	Item No. black
● Coding A		
PVC		halogen-free
1 m	771-8995/008-101	771-8995/018-101
2 m	771-8995/008-201	771-8995/018-201
3 m	771-8995/008-301	771-8995/018-301
4 m	771-8995/008-401	771-8995/018-401
5 m	771-8995/008-501	771-8995/018-501
6 m	771-8995/008-601	771-8995/018-601
7 m	771-8995/008-701	771-8995/018-701
8 m	771-8995/008-801	771-8995/018-801

Connecting cable, socket – free end



Length	Item No. black	Item No. black
● Coding A		
PVC		halogen-free
1 m	771-8995/108-101	771-8995/118-101
2 m	771-8995/108-201	771-8995/118-201
3 m	771-8995/108-301	771-8995/118-301
4 m	771-8995/108-401	771-8995/118-401
5 m	771-8995/108-501	771-8995/118-501
6 m	771-8995/108-601	771-8995/118-601
7 m	771-8995/108-701	771-8995/118-701
8 m	771-8995/108-801	771-8995/118-801

Connecting cable, plug – free end



Length	Item No. black	Item No. black
● Coding A		
PVC		halogen-free
1 m	771-8995/208-101	771-8995/218-101
2 m	771-8995/208-201	771-8995/218-201
3 m	771-8995/208-301	771-8995/218-301
4 m	771-8995/208-401	771-8995/218-401
5 m	771-8995/208-501	771-8995/218-501
6 m	771-8995/208-601	771-8995/218-601
7 m	771-8995/208-701	771-8995/218-701
8 m	771-8995/208-801	771-8995/218-801

Info

① For “International Certification Organizations” and “Approvals – User Guide”, see pages 300 to 303. Marine approvals (GL, LR, NV) relate exclusively to cables approved for marine applications.

For other cables, please contact factory.

● black Coding A (N ⊕ L1 L2 L3)

For coding information, see pages 284 to 286. Fire load data available upon request.

Accessories

	manually operated		
	black	770-101	100 (4x25)
	white	770-121	100 (4x25)
	tool operated		
	black	770-111	100 (4x25)
	white	770-131	100 (4x25)
Lockout cap, for socket, separable, 12-pole			
	black	770-201	100
	white	770-221	100
Lockout cap, for plug, separable, 5-pole			
	yellow	770-360	100



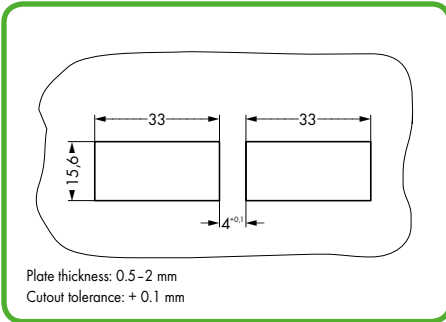
WINSTA® MIDI Strain Relief Housings, 6-Pole

Snap-on type strain relief housings for:
 - two 3-pole sockets
 - two 3-pole plugs
 - 3-pole socket and 3-pole plug




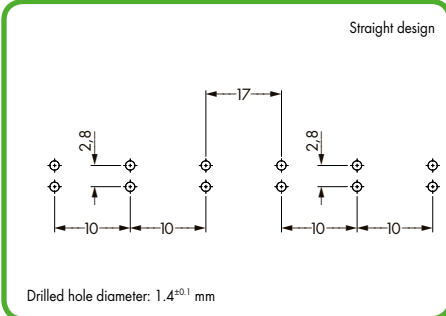
Application example: 6-pole connector

Description	Color	Item No.	Pack. Unit
Strain relief housing	Strain relief housing, for 2 cables, 8.5-13.5 mm diameter ①		
	black	770-506/029-000	50
	white	770-516/029-000	50



Using a 6-pole strain relief housing with snap-in connectors requires the cutout dimensions shown above.

Item-Specific Accessories	
	Marking strip , self-adhesive, on DIN A4 carrier card, 182 mm long  Strip height: 6 mm 210-333 100 Marking area: 62 x 6.5 mm

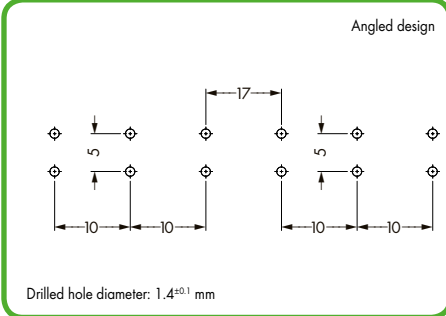
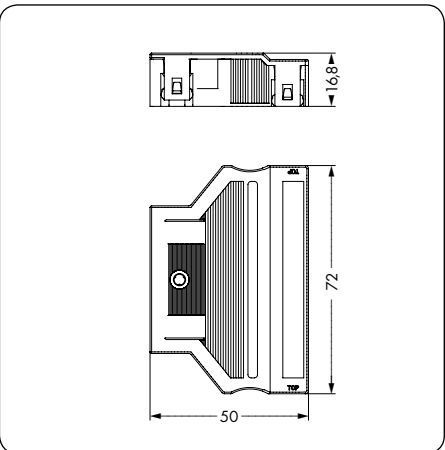


Using a straight, 6-pole PCB connector requires the hole patterns shown above.

Info	Dimensions
------	------------

① For H05VV and NYM cables
 For other cables, please contact factory.

Fire load data available upon request.



Using an angled, 6-pole PCB connector requires the hole patterns shown above.

**Important note:**

B-Coded components of the *WINSTA*[®] MIDI special series are designed for specialty applications (e.g., measurement, control and regulation technology) and certified per DIN EN 61984. In addition to the gray models for 110–400 V voltages, there is now also a variant in light green for low voltages up to 48 V, as well as a pink one for bus applications. Each of the three versions is available in 2-, 3- or 4- and 5-pole configurations. Pole marking can be printed at the factory to suit customer requirements. According to IEC 61535, B-coded products are protected against mismatching with all other coding types found in the *WINSTA*[®] system. Within B coding, all special variants can mate with each other. The variable coding system provides clear circuit identification. Special variants can be clearly differentiated according to color and pole marking. They can be coded on-site or delivered with factory-installed custom coding.

4

- Note:**
- Installation connectors are designed for connection and disconnection while not under load.
 - There is no hazard-inducing interchangeability with other systems based on IEC 60309, IEC 60320, IEC 60906 and with national connector and socket systems.
 - Compliance with the standards does not guarantee hazard-preventing, non-interchangeability with installation connector systems from various manufacturers.
 - Installation connector systems are not a substitute for residential connector/socket systems.



770 Series	
Connectors, 2-Pole	163
Connectors, 3-Pole	168
Connectors, 4-Pole	176
Connectors, 5-Pole	184



770 Series	
Snap-In Device Connectors, 2-Pole	164
Snap-In Device Connectors, 3-Pole	169
Snap-In Device Connectors, 4-Pole	177
Snap-In Device Connectors, 5-Pole	185



770 Series	
PCB Connectors, 3-Pole	170 - 171
PCB Connectors, 4-Pole	178 - 179
PCB Connectors, 5-Pole	186 - 187



770 Series	
Distribution Connectors, 2-Pole	165
Distribution Connectors, 3-Pole	172 - 173
Distribution Connectors, 4-Pole	180 - 181
Distribution Connectors, 5-Pole	188



771 Series	
Cable Assemblies, 2-Pole	166 - 167
Cable Assemblies, 3-Pole	174 - 175
Cable Assemblies, 4-Pole	182 - 183
Cable Assemblies, 5-Pole	190 - 191

WINSTA® MIDI special, 770 Series Handling:

Pole marking



Gray, B-coded connector with "3 2 1" marking; e.g., control signal (A circuit)

Circuit identification



Easy circuit identification via different marking and colors

Compatibility



B-coded connectors (shown in gray) not only differ in color, but also in their design, making them incompatible with other coded connectors.

Pole marking



Light green, B-coded connector with "3 2 1" marking; e.g., DC power supply (24V circuit)



Pole marking



Pink, B-coded connector with "3 2 1" marking; e.g., bus signal (B circuit)

Plug compatibility



B-coded connectors with different colors can be plugged together.

Important note:

Different colors and/or pole marking are used for circuit identification.

Only connectors of the same color and same pole marking must be plugged together.

<p>2 x 0.5–4 mm² ① 250 V/4 kV/3 I_N 25 A</p> <p>9 mm / 0.35 in.</p> <p>② Approvals</p>	<p>2 x 20–12 AWG</p>	<p>2 x 0.5–4 mm² ① 250 V/4 kV/3 I_N 25 A</p> <p>9 mm / 0.35 in.</p> <p>② Approvals</p>	<p>2 x 20–12 AWG</p>
---	----------------------	---	----------------------



Description	Color	Item No.	Pack. Unit	Color	Item No.	Pack. Unit
Connectors, 2-pole, with CAGE CLAMP® S connection	Socket without strain relief housing			Plug without strain relief housing		
	gray	770-242	100	gray	770-252	100
	gray	770-242/060-000*	100	gray	770-252/060-000*	100
	light green	770-262	100	light green	770-272	100
	pink	770-282	100	pink	770-292	100
	pink	770-282/080-000*	100	pink	770-292/080-000*	100
	pink	770-282/082-000*	100	pink	770-292/082-000*	100
	*For pole marking, see page 287.			*For pole marking, see page 287.		

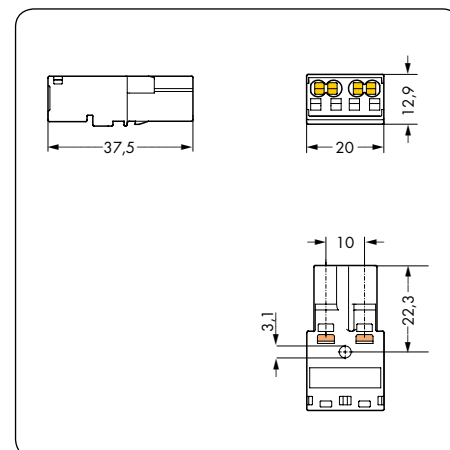
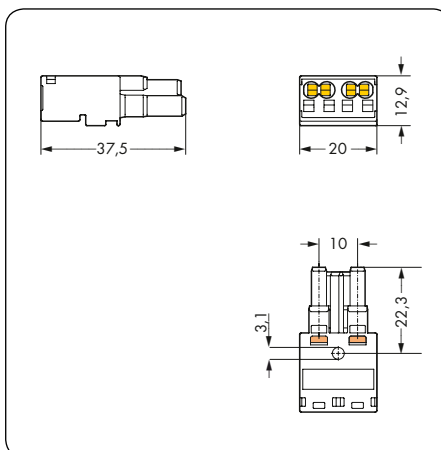
Item-Specific Accessories						
Strain relief housing, for 1 cable, ③			Strain relief housing, for 1 cable, ③			
5–9 mm diameter			5–9 mm diameter			
black 770-502/042-000 50			black 770-502/042-000 50			
white 770-512/042-000 50			white 770-512/042-000 50			
Strain relief housing, for 1 cable, ③			Strain relief housing, for 1 cable, ③			
7–10.5 mm diameter			7–10.5 mm diameter			
black 770-502/041-000 50			black 770-502/041-000 50			
white 770-512/041-000 50			white 770-512/041-000 50			

Accessories, 770 Series						
Locking lever, for “flying leads”,			Locking lever, for “flying leads”,			
manually operated			tool operated			
black 770-101 100 (4x25)			black 770-111 100 (4x25)			
white 770-121 100 (4x25)			white 770-131 100 (4x25)			

Info	Dimensions
------	------------

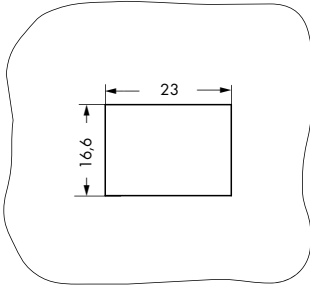
- ① Conductor sizes: 0.5–4 mm² “s + f-st”
0.5–2.5 mm² “stranded”
 - ② For “International Certification Organizations” and “Approvals – User Guide”, see pages 300 to 303.
 - ③ For more strain relief housings, see page 84.
- Standard printing (without suffix number)
- gray Coding B (1 2)
 - light green Coding B (1 2)
 - pink Coding B (1 2)
- For additional pole marking, see page 287.


For coding information, see pages 284 to 286.
Fire load data available upon request.



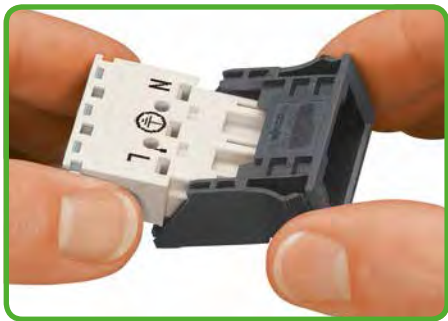
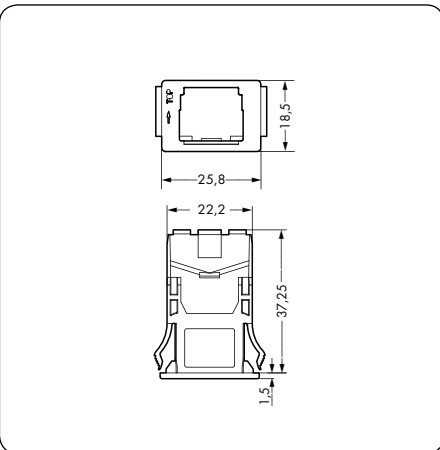
WINSTA® MIDI special Snap-in frame, 2-pole

<p>Cutout dimensions</p> <p>Plate thickness: 1–3 mm</p> <p>Cutout tolerance: + 0.1 mm</p>	<p>Snap-in frame</p> <p>– for 2-pole sockets and plugs (see page 163)</p> <p>Plate thickness: 1–3 mm</p>	
---	--	--



Description	Color	Item No.	Pack. Unit
Snap-in frame			
Snap-in frame, 2-pole			
	black	770-317	100
	white	770-337	100
Item-Specific Accessories			
	Locking lever, oversized,  tool operated gray 770-140 100 (4x25)		
Info			
Dimensions			

- 1 For "International Certification Organizations" and "Approvals – User Guide", see pages 300 to 303.
 - 2 5.0 mm Ø, 0.2–1.2 mm plate thickness
 - 3 6.0 mm Ø, 1–2.5 mm plate thickness
- gray Coding B (1 2)
● light green Coding B (1 2)
● pink Coding B (1 2)
- For additional pole marking, see page 287.
- For coding information, see pages 284 to 286.
Fire load data available upon request.



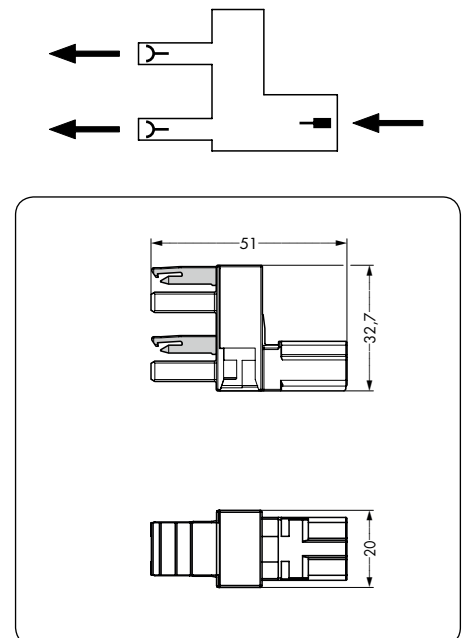
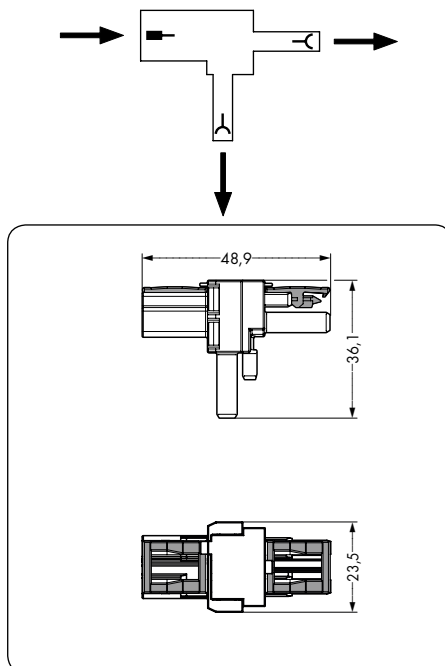
Insert the socket or plug into the frame (observe the "TOP" marking on the frame!). Snap the assembled unit into the cutout (example shows a 3-pole connector).

WINSTA® MIDI special T- and h-Distribution Connectors, 2-Pole

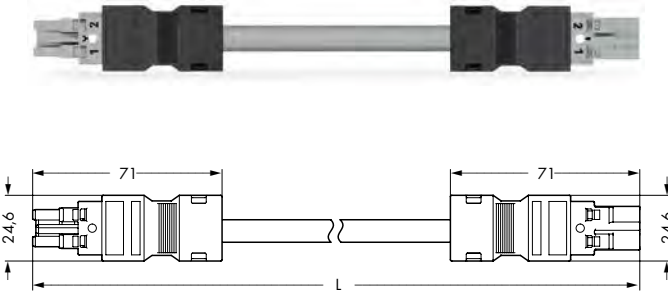
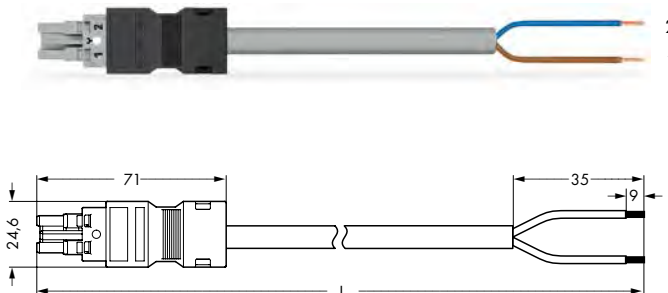
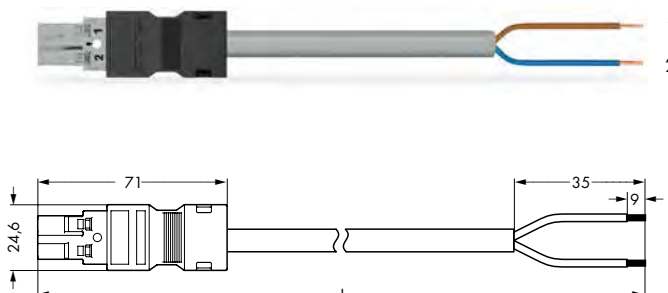





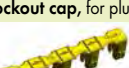






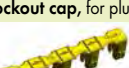






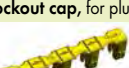

	250 V/4 kV/3 I_N 25 A ① Approvals	250 V/4 kV/3 I_N 25 A ① Approvals
--	---	---



Description	Color	Item No.	Pack. Unit	Color	Item No.	Pack. Unit
T-distribution connector	T-distribution connector, 1 x plug/2 x socket					
h-distribution connector	h-distribution connector, unidirectional, plug/socket - socket					
	gray	770-1601	50	gray	770-1651	50
	light green	770-1602	50	light green	770-1652	50
	pink	770-1603	50	pink	770-1653	50
	for "flying leads", with 3rd locking lever			for "flying leads", with 3rd locking lever		
	gray	770-1701	50	gray	770-1751	50
	light green	770-1702	50	light green	770-1752	50
	pink	770-1703	50	pink	770-1753	50
	For additional pole marking, see page 287.			For additional pole marking, see page 287.		
Item-Specific Accessories						
	Lockout cap, for socket, separable, 12-pole			Mounting plate, for distribution connectors		
		black 770-201 100			black 770-1626 25	
		white 770-221 100			white 770-1627 25	
	Lockout cap, for plug, separable, 5-pole			Fixing pin, for mounting plates		
		yellow 770-360 100			② black 890-601 250	
					③ black 770-601 250	
				Lockout cap, for socket, separable, 12-pole		
					black 770-201 100	
					white 770-221 100	
Dimensions						



WINSTA® – perfectly plugged!

	<p>PVC Control line: 2 x 1, gray</p> <p>250 V/4 kV/3 I_N 10 A</p> <p>Conductor ends, bonded: 9 mm</p> <p>🔌 Approvals</p>																																								
<p>Interconnecting cable, socket – plug</p>	<p>Length Item No. Item No. Item No.</p>																																								
	<p>Coding B</p> <p>PVC</p> <table border="1"> <tr><td>1 m</td><td>🟡 771-8992/005-103</td><td>🟢 771-8992/005-105</td><td>🟠 771-8992/005-107</td></tr> <tr><td>2 m</td><td>🟡 771-8992/005-203</td><td>🟢 771-8992/005-205</td><td>🟠 771-8992/005-207</td></tr> <tr><td>3 m</td><td>🟡 771-8992/005-303</td><td>🟢 771-8992/005-305</td><td>🟠 771-8992/005-307</td></tr> <tr><td>4 m</td><td>🟡 771-8992/005-403</td><td>🟢 771-8992/005-405</td><td>🟠 771-8992/005-407</td></tr> <tr><td>5 m</td><td>🟡 771-8992/005-503</td><td>🟢 771-8992/005-505</td><td>🟠 771-8992/005-507</td></tr> <tr><td>6 m</td><td>🟡 771-8992/005-603</td><td>🟢 771-8992/005-605</td><td>🟠 771-8992/005-607</td></tr> <tr><td>7 m</td><td>🟡 771-8992/005-703</td><td>🟢 771-8992/005-705</td><td>🟠 771-8992/005-707</td></tr> <tr><td>8 m</td><td>🟡 771-8992/005-803</td><td>🟢 771-8992/005-805</td><td>🟠 771-8992/005-807</td></tr> </table>	1 m	🟡 771-8992/005-103	🟢 771-8992/005-105	🟠 771-8992/005-107	2 m	🟡 771-8992/005-203	🟢 771-8992/005-205	🟠 771-8992/005-207	3 m	🟡 771-8992/005-303	🟢 771-8992/005-305	🟠 771-8992/005-307	4 m	🟡 771-8992/005-403	🟢 771-8992/005-405	🟠 771-8992/005-407	5 m	🟡 771-8992/005-503	🟢 771-8992/005-505	🟠 771-8992/005-507	6 m	🟡 771-8992/005-603	🟢 771-8992/005-605	🟠 771-8992/005-607	7 m	🟡 771-8992/005-703	🟢 771-8992/005-705	🟠 771-8992/005-707	8 m	🟡 771-8992/005-803	🟢 771-8992/005-805	🟠 771-8992/005-807								
1 m	🟡 771-8992/005-103	🟢 771-8992/005-105	🟠 771-8992/005-107																																						
2 m	🟡 771-8992/005-203	🟢 771-8992/005-205	🟠 771-8992/005-207																																						
3 m	🟡 771-8992/005-303	🟢 771-8992/005-305	🟠 771-8992/005-307																																						
4 m	🟡 771-8992/005-403	🟢 771-8992/005-405	🟠 771-8992/005-407																																						
5 m	🟡 771-8992/005-503	🟢 771-8992/005-505	🟠 771-8992/005-507																																						
6 m	🟡 771-8992/005-603	🟢 771-8992/005-605	🟠 771-8992/005-607																																						
7 m	🟡 771-8992/005-703	🟢 771-8992/005-705	🟠 771-8992/005-707																																						
8 m	🟡 771-8992/005-803	🟢 771-8992/005-805	🟠 771-8992/005-807																																						
<p>Connecting cable, socket – free end</p>	<p>Length Item No. Item No. Item No.</p>																																								
	<p>Coding B</p> <p>PVC</p> <table border="1"> <tr><td>1 m</td><td>🟡 771-8992/105-103</td><td>🟢 771-8992/105-105</td><td>🟠 771-8992/105-107</td></tr> <tr><td>2 m</td><td>🟡 771-8992/105-203</td><td>🟢 771-8992/105-205</td><td>🟠 771-8992/105-207</td></tr> <tr><td>3 m</td><td>🟡 771-8992/105-303</td><td>🟢 771-8992/105-305</td><td>🟠 771-8992/105-307</td></tr> <tr><td>4 m</td><td>🟡 771-8992/105-403</td><td>🟢 771-8992/105-405</td><td>🟠 771-8992/105-407</td></tr> <tr><td>5 m</td><td>🟡 771-8992/105-503</td><td>🟢 771-8992/105-505</td><td>🟠 771-8992/105-507</td></tr> <tr><td>6 m</td><td>🟡 771-8992/105-603</td><td>🟢 771-8992/105-605</td><td>🟠 771-8992/105-607</td></tr> <tr><td>7 m</td><td>🟡 771-8992/105-703</td><td>🟢 771-8992/105-705</td><td>🟠 771-8992/105-707</td></tr> <tr><td>8 m</td><td>🟡 771-8992/105-803</td><td>🟢 771-8992/105-805</td><td>🟠 771-8992/105-807</td></tr> </table>	1 m	🟡 771-8992/105-103	🟢 771-8992/105-105	🟠 771-8992/105-107	2 m	🟡 771-8992/105-203	🟢 771-8992/105-205	🟠 771-8992/105-207	3 m	🟡 771-8992/105-303	🟢 771-8992/105-305	🟠 771-8992/105-307	4 m	🟡 771-8992/105-403	🟢 771-8992/105-405	🟠 771-8992/105-407	5 m	🟡 771-8992/105-503	🟢 771-8992/105-505	🟠 771-8992/105-507	6 m	🟡 771-8992/105-603	🟢 771-8992/105-605	🟠 771-8992/105-607	7 m	🟡 771-8992/105-703	🟢 771-8992/105-705	🟠 771-8992/105-707	8 m	🟡 771-8992/105-803	🟢 771-8992/105-805	🟠 771-8992/105-807								
1 m	🟡 771-8992/105-103	🟢 771-8992/105-105	🟠 771-8992/105-107																																						
2 m	🟡 771-8992/105-203	🟢 771-8992/105-205	🟠 771-8992/105-207																																						
3 m	🟡 771-8992/105-303	🟢 771-8992/105-305	🟠 771-8992/105-307																																						
4 m	🟡 771-8992/105-403	🟢 771-8992/105-405	🟠 771-8992/105-407																																						
5 m	🟡 771-8992/105-503	🟢 771-8992/105-505	🟠 771-8992/105-507																																						
6 m	🟡 771-8992/105-603	🟢 771-8992/105-605	🟠 771-8992/105-607																																						
7 m	🟡 771-8992/105-703	🟢 771-8992/105-705	🟠 771-8992/105-707																																						
8 m	🟡 771-8992/105-803	🟢 771-8992/105-805	🟠 771-8992/105-807																																						
<p>Connecting cable, plug – free end</p>	<p>Length Item No. Item No. Item No.</p>																																								
	<p>Coding B</p> <p>PVC</p> <table border="1"> <tr><td>1 m</td><td>🟡 771-8992/205-103</td><td>🟢 771-8992/205-105</td><td>🟠 771-8992/205-107</td></tr> <tr><td>2 m</td><td>🟡 771-8992/205-203</td><td>🟢 771-8992/205-205</td><td>🟠 771-8992/205-207</td></tr> <tr><td>3 m</td><td>🟡 771-8992/205-303</td><td>🟢 771-8992/205-305</td><td>🟠 771-8992/205-307</td></tr> <tr><td>4 m</td><td>🟡 771-8992/205-403</td><td>🟢 771-8992/205-405</td><td>🟠 771-8992/205-407</td></tr> <tr><td>5 m</td><td>🟡 771-8992/205-503</td><td>🟢 771-8992/205-505</td><td>🟠 771-8992/205-507</td></tr> <tr><td>6 m</td><td>🟡 771-8992/205-603</td><td>🟢 771-8992/205-605</td><td>🟠 771-8992/205-607</td></tr> <tr><td>7 m</td><td>🟡 771-8992/205-703</td><td>🟢 771-8992/205-705</td><td>🟠 771-8992/205-707</td></tr> <tr><td>8 m</td><td>🟡 771-8992/205-803</td><td>🟢 771-8992/205-805</td><td>🟠 771-8992/205-807</td></tr> </table>	1 m	🟡 771-8992/205-103	🟢 771-8992/205-105	🟠 771-8992/205-107	2 m	🟡 771-8992/205-203	🟢 771-8992/205-205	🟠 771-8992/205-207	3 m	🟡 771-8992/205-303	🟢 771-8992/205-305	🟠 771-8992/205-307	4 m	🟡 771-8992/205-403	🟢 771-8992/205-405	🟠 771-8992/205-407	5 m	🟡 771-8992/205-503	🟢 771-8992/205-505	🟠 771-8992/205-507	6 m	🟡 771-8992/205-603	🟢 771-8992/205-605	🟠 771-8992/205-607	7 m	🟡 771-8992/205-703	🟢 771-8992/205-705	🟠 771-8992/205-707	8 m	🟡 771-8992/205-803	🟢 771-8992/205-805	🟠 771-8992/205-807								
1 m	🟡 771-8992/205-103	🟢 771-8992/205-105	🟠 771-8992/205-107																																						
2 m	🟡 771-8992/205-203	🟢 771-8992/205-205	🟠 771-8992/205-207																																						
3 m	🟡 771-8992/205-303	🟢 771-8992/205-305	🟠 771-8992/205-307																																						
4 m	🟡 771-8992/205-403	🟢 771-8992/205-405	🟠 771-8992/205-407																																						
5 m	🟡 771-8992/205-503	🟢 771-8992/205-505	🟠 771-8992/205-507																																						
6 m	🟡 771-8992/205-603	🟢 771-8992/205-605	🟠 771-8992/205-607																																						
7 m	🟡 771-8992/205-703	🟢 771-8992/205-705	🟠 771-8992/205-707																																						
8 m	🟡 771-8992/205-803	🟢 771-8992/205-805	🟠 771-8992/205-807																																						
<p>Info</p>	<p>Accessories</p>																																								
<p>🔌 For “International Certification Organizations” and “Approvals – User Guide”, see pages 300 to 303.</p> <p>Marine approvals (GL, LR, NV) relate exclusively to cables approved for marine applications. For other cables, please contact factory.</p> <table border="0"> <tr><td>🟡</td><td>gray</td><td>Coding B</td><td>(1 2)</td></tr> <tr><td>🟢</td><td>light green</td><td>Coding B</td><td>(1 2)</td></tr> <tr><td>🟠</td><td>pink</td><td>Coding B</td><td>(1 2)</td></tr> </table> <p>For additional pole marking, see page 287.</p> <p>For coding information, see pages 284 to 286.</p> <p>Fire load data available upon request.</p>	🟡	gray	Coding B	(1 2)	🟢	light green	Coding B	(1 2)	🟠	pink	Coding B	(1 2)	<p>Locking lever, for “flying leads”, manually operated</p> <table border="1"> <tr><td></td><td>black</td><td>770-101</td><td>100 (4x25)</td></tr> <tr><td></td><td>white</td><td>770-121</td><td>100 (4x25)</td></tr> </table> <p>Locking lever, for “flying leads”, tool operated</p> <table border="1"> <tr><td></td><td>black</td><td>770-111</td><td>100 (4x25)</td></tr> <tr><td></td><td>white</td><td>770-131</td><td>100 (4x25)</td></tr> </table> <p>Lockout cap, for socket, separable, 12-pole</p> <table border="1"> <tr><td></td><td>black</td><td>770-201</td><td>100</td></tr> <tr><td></td><td>white</td><td>770-221</td><td>100</td></tr> </table> <p>Lockout cap, for plug, separable, 5-pole</p> <table border="1"> <tr><td></td><td>yellow</td><td>770-360</td><td>100</td></tr> </table>		black	770-101	100 (4x25)		white	770-121	100 (4x25)		black	770-111	100 (4x25)		white	770-131	100 (4x25)		black	770-201	100		white	770-221	100		yellow	770-360	100
🟡	gray	Coding B	(1 2)																																						
🟢	light green	Coding B	(1 2)																																						
🟠	pink	Coding B	(1 2)																																						
	black	770-101	100 (4x25)																																						
	white	770-121	100 (4x25)																																						
	black	770-111	100 (4x25)																																						
	white	770-131	100 (4x25)																																						
	black	770-201	100																																						
	white	770-221	100																																						
	yellow	770-360	100																																						

		<p>PVC Control line: 2 x 1.5, gray</p> <p>250 V/4 kV/3 I_N 16 A</p> <p>Conductor ends, bonded: 9 mm</p> <p>① Approvals</p>																																			
Interconnecting cable, socket – plug		Length	Item No.	Item No.	Item No.																																
		<p>Coding B</p> <p>PVC</p> <table border="1"> <tr> <td>1 m</td> <td>● 771-8992/006-103</td> <td>● 771-8992/006-105</td> <td>● 771-8992/006-107</td> </tr> <tr> <td>2 m</td> <td>● 771-8992/006-203</td> <td>● 771-8992/006-205</td> <td>● 771-8992/006-207</td> </tr> <tr> <td>3 m</td> <td>● 771-8992/006-303</td> <td>● 771-8992/006-305</td> <td>● 771-8992/006-307</td> </tr> <tr> <td>4 m</td> <td>● 771-8992/006-403</td> <td>● 771-8992/006-405</td> <td>● 771-8992/006-407</td> </tr> <tr> <td>5 m</td> <td>● 771-8992/006-503</td> <td>● 771-8992/006-505</td> <td>● 771-8992/006-507</td> </tr> <tr> <td>6 m</td> <td>● 771-8992/006-603</td> <td>● 771-8992/006-605</td> <td>● 771-8992/006-607</td> </tr> <tr> <td>7 m</td> <td>● 771-8992/006-703</td> <td>● 771-8992/006-705</td> <td>● 771-8992/006-707</td> </tr> <tr> <td>8 m</td> <td>● 771-8992/006-803</td> <td>● 771-8992/006-805</td> <td>● 771-8992/006-807</td> </tr> </table>				1 m	● 771-8992/006-103	● 771-8992/006-105	● 771-8992/006-107	2 m	● 771-8992/006-203	● 771-8992/006-205	● 771-8992/006-207	3 m	● 771-8992/006-303	● 771-8992/006-305	● 771-8992/006-307	4 m	● 771-8992/006-403	● 771-8992/006-405	● 771-8992/006-407	5 m	● 771-8992/006-503	● 771-8992/006-505	● 771-8992/006-507	6 m	● 771-8992/006-603	● 771-8992/006-605	● 771-8992/006-607	7 m	● 771-8992/006-703	● 771-8992/006-705	● 771-8992/006-707	8 m	● 771-8992/006-803	● 771-8992/006-805	● 771-8992/006-807
1 m	● 771-8992/006-103	● 771-8992/006-105	● 771-8992/006-107																																		
2 m	● 771-8992/006-203	● 771-8992/006-205	● 771-8992/006-207																																		
3 m	● 771-8992/006-303	● 771-8992/006-305	● 771-8992/006-307																																		
4 m	● 771-8992/006-403	● 771-8992/006-405	● 771-8992/006-407																																		
5 m	● 771-8992/006-503	● 771-8992/006-505	● 771-8992/006-507																																		
6 m	● 771-8992/006-603	● 771-8992/006-605	● 771-8992/006-607																																		
7 m	● 771-8992/006-703	● 771-8992/006-705	● 771-8992/006-707																																		
8 m	● 771-8992/006-803	● 771-8992/006-805	● 771-8992/006-807																																		
Connecting cable, socket – free end		Length	Item No.	Item No.	Item No.																																
		<p>Coding B</p> <p>PVC</p> <table border="1"> <tr> <td>1 m</td> <td>● 771-8992/106-103</td> <td>● 771-8992/106-105</td> <td>● 771-8992/106-107</td> </tr> <tr> <td>2 m</td> <td>● 771-8992/106-203</td> <td>● 771-8992/106-205</td> <td>● 771-8992/106-207</td> </tr> <tr> <td>3 m</td> <td>● 771-8992/106-303</td> <td>● 771-8992/106-305</td> <td>● 771-8992/106-307</td> </tr> <tr> <td>4 m</td> <td>● 771-8992/106-403</td> <td>● 771-8992/106-405</td> <td>● 771-8992/106-407</td> </tr> <tr> <td>5 m</td> <td>● 771-8992/106-503</td> <td>● 771-8992/106-505</td> <td>● 771-8992/106-507</td> </tr> <tr> <td>6 m</td> <td>● 771-8992/106-603</td> <td>● 771-8992/106-605</td> <td>● 771-8992/106-607</td> </tr> <tr> <td>7 m</td> <td>● 771-8992/106-703</td> <td>● 771-8992/106-705</td> <td>● 771-8992/106-707</td> </tr> <tr> <td>8 m</td> <td>● 771-8992/106-803</td> <td>● 771-8992/106-805</td> <td>● 771-8992/106-807</td> </tr> </table>				1 m	● 771-8992/106-103	● 771-8992/106-105	● 771-8992/106-107	2 m	● 771-8992/106-203	● 771-8992/106-205	● 771-8992/106-207	3 m	● 771-8992/106-303	● 771-8992/106-305	● 771-8992/106-307	4 m	● 771-8992/106-403	● 771-8992/106-405	● 771-8992/106-407	5 m	● 771-8992/106-503	● 771-8992/106-505	● 771-8992/106-507	6 m	● 771-8992/106-603	● 771-8992/106-605	● 771-8992/106-607	7 m	● 771-8992/106-703	● 771-8992/106-705	● 771-8992/106-707	8 m	● 771-8992/106-803	● 771-8992/106-805	● 771-8992/106-807
1 m	● 771-8992/106-103	● 771-8992/106-105	● 771-8992/106-107																																		
2 m	● 771-8992/106-203	● 771-8992/106-205	● 771-8992/106-207																																		
3 m	● 771-8992/106-303	● 771-8992/106-305	● 771-8992/106-307																																		
4 m	● 771-8992/106-403	● 771-8992/106-405	● 771-8992/106-407																																		
5 m	● 771-8992/106-503	● 771-8992/106-505	● 771-8992/106-507																																		
6 m	● 771-8992/106-603	● 771-8992/106-605	● 771-8992/106-607																																		
7 m	● 771-8992/106-703	● 771-8992/106-705	● 771-8992/106-707																																		
8 m	● 771-8992/106-803	● 771-8992/106-805	● 771-8992/106-807																																		
Connecting cable, plug – free end		Length	Item No.	Item No.	Item No.																																
		<p>Coding B</p> <p>PVC</p> <table border="1"> <tr> <td>1 m</td> <td>● 771-8992/206-103</td> <td>● 771-8992/206-105</td> <td>● 771-8992/206-107</td> </tr> <tr> <td>2 m</td> <td>● 771-8992/206-203</td> <td>● 771-8992/206-205</td> <td>● 771-8992/206-207</td> </tr> <tr> <td>3 m</td> <td>● 771-8992/206-303</td> <td>● 771-8992/206-305</td> <td>● 771-8992/206-307</td> </tr> <tr> <td>4 m</td> <td>● 771-8992/206-403</td> <td>● 771-8992/206-405</td> <td>● 771-8992/206-407</td> </tr> <tr> <td>5 m</td> <td>● 771-8992/206-503</td> <td>● 771-8992/206-505</td> <td>● 771-8992/206-507</td> </tr> <tr> <td>6 m</td> <td>● 771-8992/206-603</td> <td>● 771-8992/206-605</td> <td>● 771-8992/206-607</td> </tr> <tr> <td>7 m</td> <td>● 771-8992/206-703</td> <td>● 771-8992/206-705</td> <td>● 771-8992/206-707</td> </tr> <tr> <td>8 m</td> <td>● 771-8992/206-803</td> <td>● 771-8992/206-805</td> <td>● 771-8992/206-807</td> </tr> </table>				1 m	● 771-8992/206-103	● 771-8992/206-105	● 771-8992/206-107	2 m	● 771-8992/206-203	● 771-8992/206-205	● 771-8992/206-207	3 m	● 771-8992/206-303	● 771-8992/206-305	● 771-8992/206-307	4 m	● 771-8992/206-403	● 771-8992/206-405	● 771-8992/206-407	5 m	● 771-8992/206-503	● 771-8992/206-505	● 771-8992/206-507	6 m	● 771-8992/206-603	● 771-8992/206-605	● 771-8992/206-607	7 m	● 771-8992/206-703	● 771-8992/206-705	● 771-8992/206-707	8 m	● 771-8992/206-803	● 771-8992/206-805	● 771-8992/206-807
1 m	● 771-8992/206-103	● 771-8992/206-105	● 771-8992/206-107																																		
2 m	● 771-8992/206-203	● 771-8992/206-205	● 771-8992/206-207																																		
3 m	● 771-8992/206-303	● 771-8992/206-305	● 771-8992/206-307																																		
4 m	● 771-8992/206-403	● 771-8992/206-405	● 771-8992/206-407																																		
5 m	● 771-8992/206-503	● 771-8992/206-505	● 771-8992/206-507																																		
6 m	● 771-8992/206-603	● 771-8992/206-605	● 771-8992/206-607																																		
7 m	● 771-8992/206-703	● 771-8992/206-705	● 771-8992/206-707																																		
8 m	● 771-8992/206-803	● 771-8992/206-805	● 771-8992/206-807																																		

Item numbers overview for other cable lengths

Position	1 - 3	-	4	5	6	7	/	8	9	10	-	11	12	13
gray	771	-	8	9	9	2	/	0	0	6	-	1	0	3
light green	771	-	8	9	9	2	/	0	0	6	-	1	0	5
pink	771	-	8	9	9	2	/	0	0	6	-	1	0	7

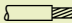
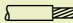
The item numbers listed above correspond to the following cable version:
Interconnecting cable, 2-pole, socket – plug, PVC control line, 2 x 1.5 mm², 1 m long

The 9th position defines whether it is a PVC or halogen-free cable. For example, an halogen-free cable with pink connectors has the following item number: 771-8992/016-107.

The 10th position defines the cable cross-section. For example, a 2 x 1.5 mm² cable with light green connectors has the following item number: 771-8992/006-105.

The 11th position defines the cable length. For example, a 5-meter cable with gray connectors has the following item number: 771-8992/006-503.

WINSTA® MIDI special Sockets and Plugs, 3-Pole

<p>2 x 0.5–4 mm² ① 250 V/4 kV/3 I_N 25 A</p> <p> 9 mm / 0.35 in. ② Approvals</p>	<p>2 x 20–12 AWG 250 V/4 kV/3 I_N 25 A</p> <p> 9 mm / 0.35 in. ② Approvals</p>
--	---



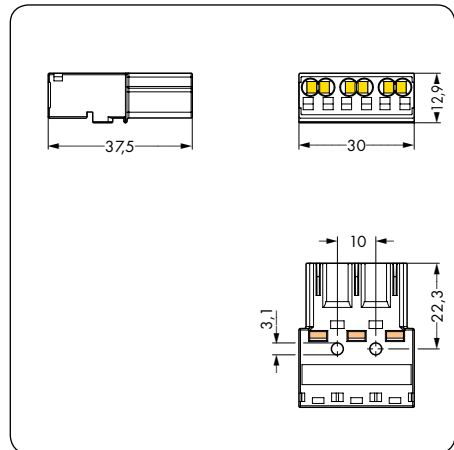
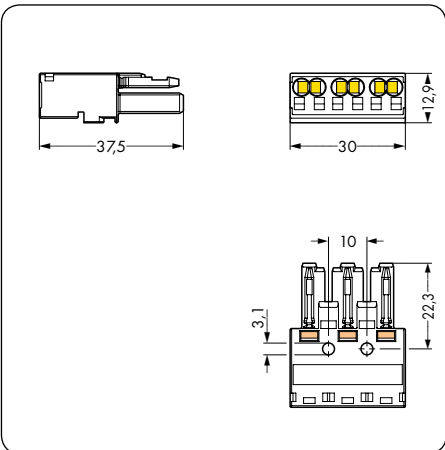
Description	Color	Item No.	Pack. Unit	Color	Item No.	Pack. Unit
Connectors, 3-pole, with CAGE CLAMP® S connection	Socket			Plug		
	gray	770-243	100	gray	770-253	100
	gray	770-243/060-000*	100	gray	770-253/060-000*	100
	gray	770-243/062-000*	100	gray	770-253/062-000*	100
	light green	770-263	100	light green	770-273	100
	light green	770-263/071-000*	100	light green	770-273/071-000*	100
	light green	770-263/073-000*	100	light green	770-273/073-000*	100
	pink	770-283	100	pink	770-293	100
	pink	770-283/081-000*	100	pink	770-293/081-000*	100
	pink	770-283/082-000*	100	pink	770-293/082-000*	100
	* For pole marking, see page 287.			* For pole marking, see page 287.		

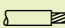
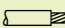
Item-Specific Accessories							
		Strain relief housing, for 2 cables, ③ 4.5–8 mm diameter black 770-503/023-000 50 white 770-513/023-000 50				Strain relief housing, for 2 cables, ③ 4.5–8 mm diameter black 770-503/023-000 50 white 770-513/023-000 50	
		Strain relief housing, for 2 cables, ③ 8–11.5 mm diameter black 770-503 50 white 770-513 50				Strain relief housing, for 2 cables, ③ 8–11.5 mm diameter black 770-503 50 white 770-513 50	

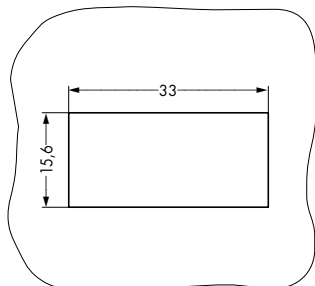
Accessories, 770 Series							
		Locking lever, for "flying leads", manually operated black 770-101 100 (4x25) white 770-121 100 (4x25)				Locking lever, for "flying leads", tool operated black 770-111 100 (4x25) white 770-131 100 (4x25)	

Info	Dimensions
------	------------

- ① Conductor sizes: 0.5–4 mm² "s + f-st"
0.5–2.5 mm² "stranded"
 - ② For "International Certification Organizations" and "Approvals – User Guide", see pages 300 to 303.
 - ③ For more strain relief housings, see pages 96 and 97.
- Standard printing (without suffix number)
- gray Coding B (1 2 3)
 - light green Coding B (1 2 3)
 - pink Coding B (1 2 3)
- For additional pole marking, see page 287.
- For coding information, see pages 284 to 286.
Fire load data available upon request.





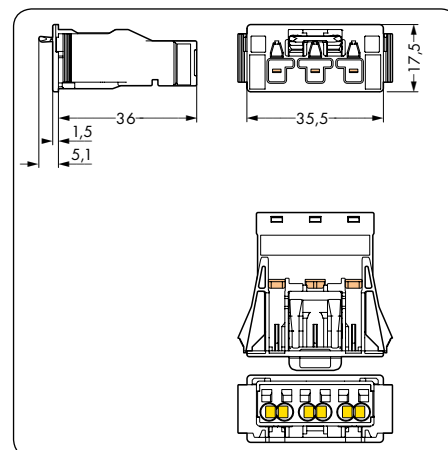
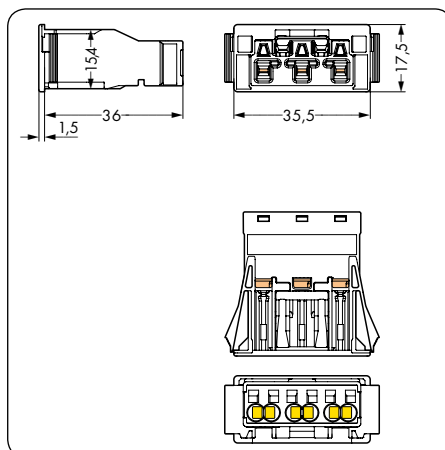
Cutout dimensions Plate thickness: 0.5–2 mm Cutout tolerance: + 0.1 mm	2 x 0.5–4 mm ² ① 250 V/4 kV/3 I _N 25 A	2 x 20–12 AWG	2 x 0.5–4 mm ² ① 250 V/4 kV/3 I _N 25 A	2 x 20–12 AWG
	 9 mm / 0.35 in. ② Approvals		 9 mm / 0.35 in. ② Approvals	



Description	Color	Item No.	Pack. Unit	Color	Item No.	Pack. Unit
Connectors, snap-in device connection, 3-pole, with CAGE CLAMP® S connection	Socket			Plug		
	gray	770-743	100	gray	770-753	100
	gray	770-743/060-000*	100	gray	770-753/060-000*	100
	gray	770-743/062-000*	100	gray	770-753/062-000*	100
	light green	770-763	100	light green	770-773	100
	light green	770-763/071-000*	100	light green	770-773/071-000*	100
	light green	770-763/073-000*	100	light green	770-773/073-000*	100
	pink	770-783	100	pink	770-793	100
	pink	770-783/081-000*	100	pink	770-793/081-000*	100
	pink	770-783/082-000*	100	pink	770-793/082-000*	100
	For snap in frame for sockets and plugs, see page 99.			For snap in frame for sockets and plugs, see page 99.		
	*For pole marking, see page 287.			*For pole marking, see page 287.		

Item-Specific Accessories								
	Lockout cap, for socket, separable, 12-pole			Lockout cap, for plug, separable, 5-pole				
		black	770-201	100		yellow	770-360	100
		white	770-221	100				
	Operating tool, partially insulated			Operating tool, partially insulated				
		3-way	770-383	1		3-way	770-383	1

Accessories, 770 Series								
	Lockout cap, for cutout, 3-pole			Lockout cap, for cutout, 3-pole				
		black	770-643	100		black	770-643	100
		white	770-693	100		white	770-693	100
	Dimensions							



WINSTA® MIDI special PCB Connectors, 3-Pole

	<p>250 V/4 kV/3 I_N 25 A</p> <p>① Approvals</p>	<p>250 V/4 kV/3 I_N 25 A</p> <p>① Approvals</p>
--	---	---



Description	Color	Item No.	Pack. Unit	Color	Item No.	Pack. Unit
PCB connectors, 2 solder pins per pole	Socket, straight			Plug, straight		
	gray	770-843	100	gray	770-853	100
	light green	770-863	100	light green	770-873	100
	pink	770-883	100	pink	770-893	100
	For additional pole marking, see page 287.			For additional pole marking, see page 287.		

Item-Specific Accessories						
	Lockout cap, for socket, separable, 12-pole			Lockout cap, for plug, separable, 5-pole		
		black 770-201 100 white 770-221 100			yellow 770-360 100	
				Coding pin, for plug (A and B coding)		
					gray 770-401 100	

Accessories, 770 Series						
	Locking lever, for "flying leads", manually operated			Locking lever, for "flying leads", tool operated		
		black 770-101 100 (4x25) white 770-121 100 (4x25)			black 770-111 100 (4x25) white 770-131 100 (4x25)	

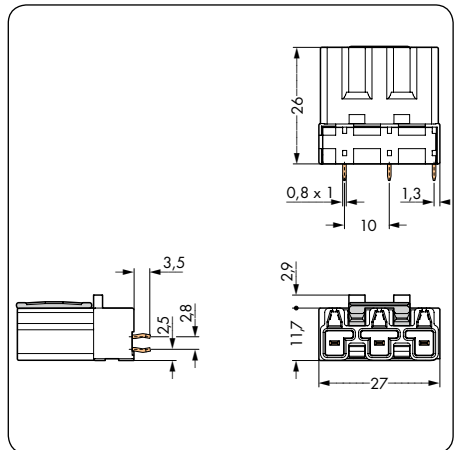
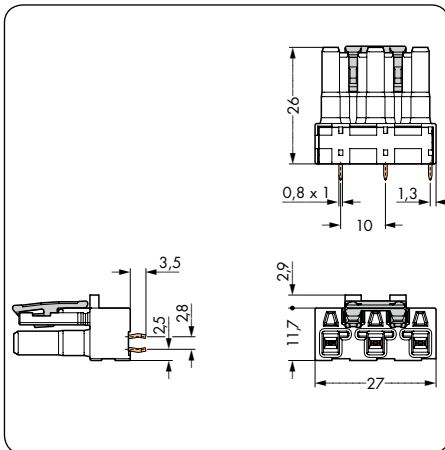
Info	Dimensions
------	------------

① For "International Certification Organizations" and "Approvals – User Guide", see pages 300 to 303.

● gray Coding B (1 2 3)
● light green Coding B (1 2 3)
● pink Coding B (1 2 3)

For additional pole marking, see page 287.

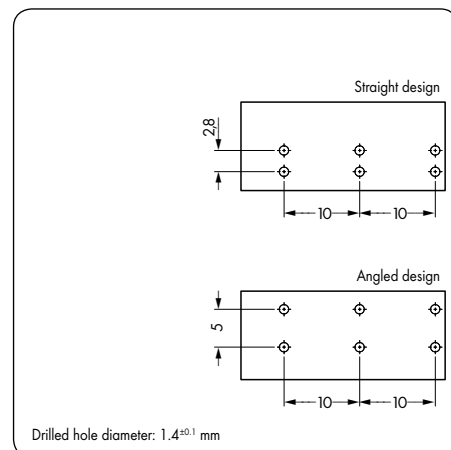
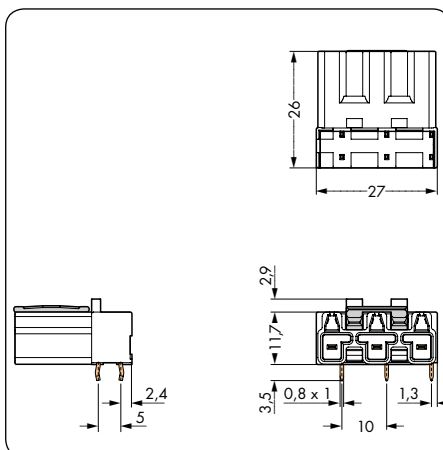
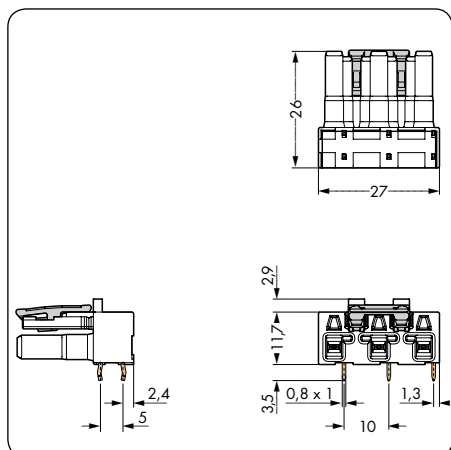
For coding information, see pages 284 to 286.
Fire load data available upon request.



250 V/4 kV/3 I_N 25 A 1 Approvals	250 V/4 kV/3 I_N 25 A 1 Approvals
---	---



Color	Item No.	Pack. Unit	Color	Item No.	Pack. Unit
Socket, angled			Plug, angled		
gray	770-843/011-000	100	gray	770-853/011-000	100
light green	770-863/011-000	100	light green	770-873/011-000	100
pink	770-883/011-000	100	pink	770-893/011-000	100
For additional pole marking, see page 287.			For additional pole marking, see page 287.		
Item-Specific Accessories					
Lockout cap, for socket, separable, 12-pole			Lockout cap, for plug, separable, 5-pole		
	black 770-201	100		yellow 770-360	100
	white 770-221	100			
			Coding pin, for plug		
				gray 770-401	100
Accessories, 770 Series					
Locking lever, for "flying leads", manually operated			Locking lever, for "flying leads", tool operated		
	black 770-101	100 (4x25)		black 770-111	100 (4x25)
	white 770-121	100 (4x25)		white 770-131	100 (4x25)
Dimensions					
			Hole patterns		



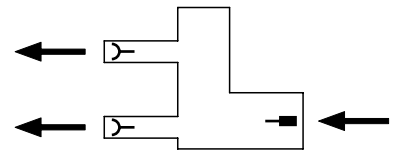
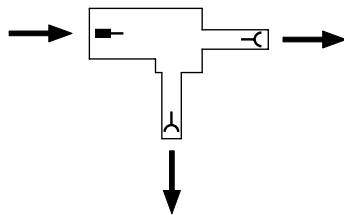
WINSTA® – perfectly plugged!

WINSTA® MIDI special T- and h-Distribution Connectors, 3-Pole

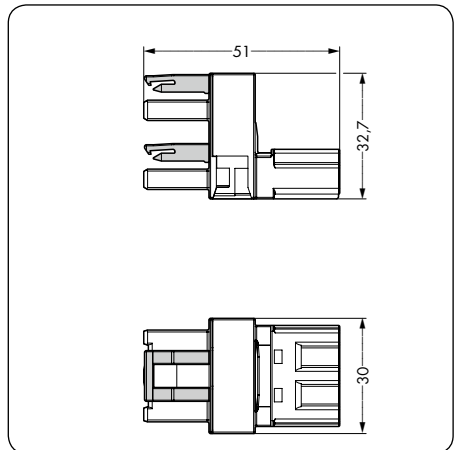
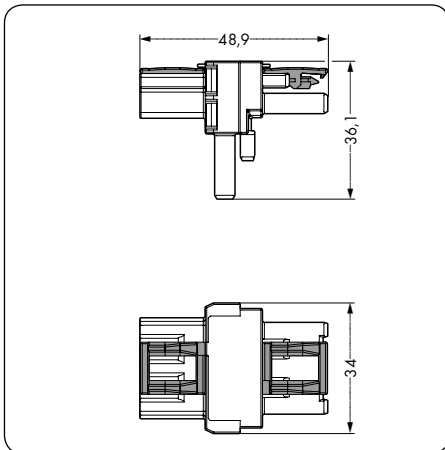
	<p>250 V/4 kV/3 I_N 25 A</p> <p>① Approvals</p>	<p>250 V/4 kV/3 I_N 25 A</p> <p>① Approvals</p>
--	---	---



Description	Color	Item No.	Pack. Unit	Color	Item No.	Pack. Unit
T-distribution connector	T-distribution connector, 1 x plug/2 x socket					
h-distribution connector	h-distribution connector, unidirectional, plug/socket - socket					
	gray	770-967	50	gray	770-1661	50
	light green	770-1612	50	light green	770-1662	50
	pink	770-1613	50	pink	770-1663	50
	for "flying leads", with 3rd locking lever					
	gray	770-970	50	gray	770-1761	50
	light green	770-1712	50	light green	770-1762	50
	pink	770-1713	50	pink	770-1763	50
	For additional pole marking, see page 287.					
Item-Specific Accessories						
	Lockout cap, for socket, separable, 12-pole			Mounting plate, for distribution connectors		
		black 770-201 100		black 770-623 100		
		white 770-221 100		white 770-673 100		
	Lockout cap, for plug, separable, 5-pole			Fixing pin, for mounting plates		
		yellow 770-360 100		② black 890-601 250		
				③ black 770-601 250		
				Lockout cap, for socket, separable, 12-pole		
		black 770-201 100				
		white 770-221 100				
Info	Dimensions					







- ① For "International Certification Organizations" and "Approvals – User Guide", see pages 300 to 303.
 - ② 5.0 mm Ø, 0.2–1.2 mm plate thickness
 - ③ 6.0 mm Ø, 1–2.5 mm plate thickness
- gray Coding B (1 2 3)
 ● light green Coding B (1 2 3)
 ● pink Coding B (1 2 3)
- For additional pole marking, see page 287.
- For coding information, see pages 284 to 286.
Fire load data available upon request.

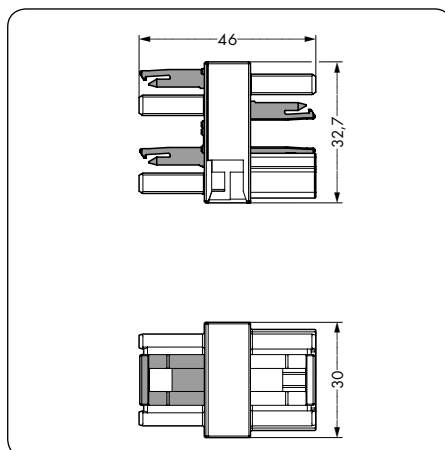
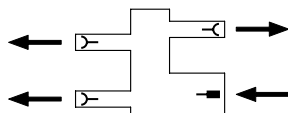


WINSTA® MIDI special Distribution Connectors, 3-Pole

	<p>250 V/4 kV/3 I_N 25 A</p> <p>➊ Approvals</p>	
--	---	--



Description	Color	Item No.	Pack. Unit
Distribution connectors, 3-pole	Distribution connector, 3-way, 1 x plug/3 x socket		
	gray	770-1714	50
	light green	770-1715	50
	pink	770-1716	50
	For additional pole marking, see page 287.		
Item-Specific Accessories			
	Mounting plate, for distribution connectors		
		black 770-623	25
		white 770-673	25
	Fixing pin, for mounting plates		
		➋ black 890-601	250
		➌ black 770-601	250
	Lockout cap, for socket, separable, 12-pole		
		black 770-201	100
		white 770-221	100
	Lockout cap, for plug, separable, 5-pole		
		yellow 770-360	100
	Dimensions		



WINSTA® MIDI special Cable Assemblies 3 x 1 mm²

	<p>PVC Control line: 3 x 1, gray</p> <p>250 V/4 kV/3 I_N 10 A</p> <p>Conductor ends, bonded: 9 mm</p> <p>🔍 Approvals</p>																																												
Interconnecting cable, socket – plug	<table border="1"> <thead> <tr> <th>Length</th> <th>Item No.</th> <th>Item No.</th> <th>Item No.</th> </tr> </thead> <tbody> <tr> <td colspan="4">Coding B</td> </tr> <tr> <td colspan="4">PVC</td> </tr> <tr> <td>1 m</td> <td>771-9993/005-103</td> <td>771-9993/005-105</td> <td>771-9993/005-107</td> </tr> <tr> <td>2 m</td> <td>771-9993/005-203</td> <td>771-9993/005-205</td> <td>771-9993/005-207</td> </tr> <tr> <td>3 m</td> <td>771-9993/005-303</td> <td>771-9993/005-305</td> <td>771-9993/005-307</td> </tr> <tr> <td>4 m</td> <td>771-9993/005-403</td> <td>771-9993/005-405</td> <td>771-9993/005-407</td> </tr> <tr> <td>5 m</td> <td>771-9993/005-503</td> <td>771-9993/005-505</td> <td>771-9993/005-507</td> </tr> <tr> <td>6 m</td> <td>771-9993/005-603</td> <td>771-9993/005-605</td> <td>771-9993/005-607</td> </tr> <tr> <td>7 m</td> <td>771-9993/005-703</td> <td>771-9993/005-705</td> <td>771-9993/005-707</td> </tr> <tr> <td>8 m</td> <td>771-9993/005-803</td> <td>771-9993/005-805</td> <td>771-9993/005-807</td> </tr> </tbody> </table>	Length	Item No.	Item No.	Item No.	Coding B				PVC				1 m	771-9993/005-103	771-9993/005-105	771-9993/005-107	2 m	771-9993/005-203	771-9993/005-205	771-9993/005-207	3 m	771-9993/005-303	771-9993/005-305	771-9993/005-307	4 m	771-9993/005-403	771-9993/005-405	771-9993/005-407	5 m	771-9993/005-503	771-9993/005-505	771-9993/005-507	6 m	771-9993/005-603	771-9993/005-605	771-9993/005-607	7 m	771-9993/005-703	771-9993/005-705	771-9993/005-707	8 m	771-9993/005-803	771-9993/005-805	771-9993/005-807
Length	Item No.	Item No.	Item No.																																										
Coding B																																													
PVC																																													
1 m	771-9993/005-103	771-9993/005-105	771-9993/005-107																																										
2 m	771-9993/005-203	771-9993/005-205	771-9993/005-207																																										
3 m	771-9993/005-303	771-9993/005-305	771-9993/005-307																																										
4 m	771-9993/005-403	771-9993/005-405	771-9993/005-407																																										
5 m	771-9993/005-503	771-9993/005-505	771-9993/005-507																																										
6 m	771-9993/005-603	771-9993/005-605	771-9993/005-607																																										
7 m	771-9993/005-703	771-9993/005-705	771-9993/005-707																																										
8 m	771-9993/005-803	771-9993/005-805	771-9993/005-807																																										
Connecting cable, socket – free end	<table border="1"> <thead> <tr> <th>Length</th> <th>Item No.</th> <th>Item No.</th> <th>Item No.</th> </tr> </thead> <tbody> <tr> <td colspan="4">Coding B</td> </tr> <tr> <td colspan="4">PVC</td> </tr> <tr> <td>1 m</td> <td>771-9993/105-103</td> <td>771-9993/105-105</td> <td>771-9993/105-107</td> </tr> <tr> <td>2 m</td> <td>771-9993/105-203</td> <td>771-9993/105-205</td> <td>771-9993/105-207</td> </tr> <tr> <td>3 m</td> <td>771-9993/105-303</td> <td>771-9993/105-305</td> <td>771-9993/105-307</td> </tr> <tr> <td>4 m</td> <td>771-9993/105-403</td> <td>771-9993/105-405</td> <td>771-9993/105-407</td> </tr> <tr> <td>5 m</td> <td>771-9993/105-503</td> <td>771-9993/105-505</td> <td>771-9993/105-507</td> </tr> <tr> <td>6 m</td> <td>771-9993/105-603</td> <td>771-9993/105-605</td> <td>771-9993/105-607</td> </tr> <tr> <td>7 m</td> <td>771-9993/105-703</td> <td>771-9993/105-705</td> <td>771-9993/105-707</td> </tr> <tr> <td>8 m</td> <td>771-9993/105-803</td> <td>771-9993/105-805</td> <td>771-9993/105-807</td> </tr> </tbody> </table>	Length	Item No.	Item No.	Item No.	Coding B				PVC				1 m	771-9993/105-103	771-9993/105-105	771-9993/105-107	2 m	771-9993/105-203	771-9993/105-205	771-9993/105-207	3 m	771-9993/105-303	771-9993/105-305	771-9993/105-307	4 m	771-9993/105-403	771-9993/105-405	771-9993/105-407	5 m	771-9993/105-503	771-9993/105-505	771-9993/105-507	6 m	771-9993/105-603	771-9993/105-605	771-9993/105-607	7 m	771-9993/105-703	771-9993/105-705	771-9993/105-707	8 m	771-9993/105-803	771-9993/105-805	771-9993/105-807
Length	Item No.	Item No.	Item No.																																										
Coding B																																													
PVC																																													
1 m	771-9993/105-103	771-9993/105-105	771-9993/105-107																																										
2 m	771-9993/105-203	771-9993/105-205	771-9993/105-207																																										
3 m	771-9993/105-303	771-9993/105-305	771-9993/105-307																																										
4 m	771-9993/105-403	771-9993/105-405	771-9993/105-407																																										
5 m	771-9993/105-503	771-9993/105-505	771-9993/105-507																																										
6 m	771-9993/105-603	771-9993/105-605	771-9993/105-607																																										
7 m	771-9993/105-703	771-9993/105-705	771-9993/105-707																																										
8 m	771-9993/105-803	771-9993/105-805	771-9993/105-807																																										
Connecting cable, plug – free end	<table border="1"> <thead> <tr> <th>Length</th> <th>Item No.</th> <th>Item No.</th> <th>Item No.</th> </tr> </thead> <tbody> <tr> <td colspan="4">Coding B</td> </tr> <tr> <td colspan="4">PVC</td> </tr> <tr> <td>1 m</td> <td>771-9993/205-103</td> <td>771-9993/205-105</td> <td>771-9993/205-107</td> </tr> <tr> <td>2 m</td> <td>771-9993/205-203</td> <td>771-9993/205-205</td> <td>771-9993/205-207</td> </tr> <tr> <td>3 m</td> <td>771-9993/205-303</td> <td>771-9993/205-305</td> <td>771-9993/205-307</td> </tr> <tr> <td>4 m</td> <td>771-9993/205-403</td> <td>771-9993/205-405</td> <td>771-9993/205-407</td> </tr> <tr> <td>5 m</td> <td>771-9993/205-503</td> <td>771-9993/205-505</td> <td>771-9993/205-507</td> </tr> <tr> <td>6 m</td> <td>771-9993/205-603</td> <td>771-9993/205-605</td> <td>771-9993/205-607</td> </tr> <tr> <td>7 m</td> <td>771-9993/205-703</td> <td>771-9993/205-705</td> <td>771-9993/205-707</td> </tr> <tr> <td>8 m</td> <td>771-9993/205-803</td> <td>771-9993/205-805</td> <td>771-9993/205-807</td> </tr> </tbody> </table>	Length	Item No.	Item No.	Item No.	Coding B				PVC				1 m	771-9993/205-103	771-9993/205-105	771-9993/205-107	2 m	771-9993/205-203	771-9993/205-205	771-9993/205-207	3 m	771-9993/205-303	771-9993/205-305	771-9993/205-307	4 m	771-9993/205-403	771-9993/205-405	771-9993/205-407	5 m	771-9993/205-503	771-9993/205-505	771-9993/205-507	6 m	771-9993/205-603	771-9993/205-605	771-9993/205-607	7 m	771-9993/205-703	771-9993/205-705	771-9993/205-707	8 m	771-9993/205-803	771-9993/205-805	771-9993/205-807
Length	Item No.	Item No.	Item No.																																										
Coding B																																													
PVC																																													
1 m	771-9993/205-103	771-9993/205-105	771-9993/205-107																																										
2 m	771-9993/205-203	771-9993/205-205	771-9993/205-207																																										
3 m	771-9993/205-303	771-9993/205-305	771-9993/205-307																																										
4 m	771-9993/205-403	771-9993/205-405	771-9993/205-407																																										
5 m	771-9993/205-503	771-9993/205-505	771-9993/205-507																																										
6 m	771-9993/205-603	771-9993/205-605	771-9993/205-607																																										
7 m	771-9993/205-703	771-9993/205-705	771-9993/205-707																																										
8 m	771-9993/205-803	771-9993/205-805	771-9993/205-807																																										
Info	Accessories																																												

🔍 For “International Certification Organizations” and “Approvals – User Guide”, see pages 300 to 303.


Marine approvals (GL, LR, NV) relate exclusively to cables approved for marine applications. For other cables, please contact factory.

- gray Coding B (1 2 3)
- light green Coding B (1 2 3)
- pink Coding B (1 2 3)


For additional pole marking, see page 287.

For coding information, see pages 284 to 286.
Fire load data available upon request.


Locking lever, for “flying leads”,

	manually operated		
	black	770-101	100 (4x25)
	white	770-121	100 (4x25)


Locking lever, for “flying leads”,

	tool operated		
	black	770-111	100 (4x25)
	white	770-131	100 (4x25)

Lockout cap, for socket, separable, 12-pole

	black	770-201	100
	white	770-221	100

Lockout cap, for plug, separable, 5-pole

	yellow	770-360	100
---	--------	---------	-----

WINSTA® MIDI special Cable Assemblies 3 x 1.5 mm²

		PVC Control line: 3 x 1.5, gray 250 V/4 kV/3 I_N 16 A Conductor ends, bonded: 9 mm ① Approvals			
Interconnecting cable, socket – plug		Length	Item No.	Item No.	Item No.
		Coding B PVC 1 m ● 771-9993/006-103 ● 771-9993/006-105 ● 771-9993/006-107 2 m ● 771-9993/006-203 ● 771-9993/006-205 ● 771-9993/006-207 3 m ● 771-9993/006-303 ● 771-9993/006-305 ● 771-9993/006-307 4 m ● 771-9993/006-403 ● 771-9993/006-405 ● 771-9993/006-407 5 m ● 771-9993/006-503 ● 771-9993/006-505 ● 771-9993/006-507 6 m ● 771-9993/006-603 ● 771-9993/006-605 ● 771-9993/006-607 7 m ● 771-9993/006-703 ● 771-9993/006-705 ● 771-9993/006-707 8 m ● 771-9993/006-803 ● 771-9993/006-805 ● 771-9993/006-807			
Connecting cable, socket – free end		Length	Item No.	Item No.	Item No.
		Coding B PVC 1 m ● 771-9993/106-103 ● 771-9993/106-105 ● 771-9993/106-107 2 m ● 771-9993/106-203 ● 771-9993/106-205 ● 771-9993/106-207 3 m ● 771-9993/106-303 ● 771-9993/106-305 ● 771-9993/106-307 4 m ● 771-9993/106-403 ● 771-9993/106-405 ● 771-9993/106-407 5 m ● 771-9993/106-503 ● 771-9993/106-505 ● 771-9993/106-507 6 m ● 771-9993/106-603 ● 771-9993/106-605 ● 771-9993/106-607 7 m ● 771-9993/106-703 ● 771-9993/106-705 ● 771-9993/106-707 8 m ● 771-9993/106-803 ● 771-9993/106-805 ● 771-9993/106-807			
Connecting cable, plug – free end		Length	Item No.	Item No.	Item No.
		Coding B PVC 1 m ● 771-9993/206-103 ● 771-9993/206-105 ● 771-9993/206-107 2 m ● 771-9993/206-203 ● 771-9993/206-205 ● 771-9993/206-207 3 m ● 771-9993/206-303 ● 771-9993/206-305 ● 771-9993/206-307 4 m ● 771-9993/206-403 ● 771-9993/206-405 ● 771-9993/206-407 5 m ● 771-9993/206-503 ● 771-9993/206-505 ● 771-9993/206-507 6 m ● 771-9993/206-603 ● 771-9993/206-605 ● 771-9993/206-607 7 m ● 771-9993/206-703 ● 771-9993/206-705 ● 771-9993/206-707 8 m ● 771-9993/206-803 ● 771-9993/206-805 ● 771-9993/206-807			

Item numbers overview for other cable lengths

Position	1 - 3	-	4	5	6	7	/	8	9	10	-	11	12	13
gray	771	-	9	9	9	3	/	0	0	6	-	1	0	3
light green	771	-	9	9	9	3	/	0	0	6	-	1	0	5
pink	771	-	9	9	9	3	/	0	0	6	-	1	0	7

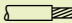
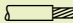
The item numbers listed above correspond to the following cable version:
Interconnecting cable, 3-pole, socket – plug, PVC control line, 3 x 1.5 mm², 1 m long

The 9th position defines whether it is a PVC or halogen-free cable. For example, an halogen-free cable with pink connectors has the following item number: 771-9993/016-107.

The 10th position defines the cable cross-section. For example, a 3 x 1 mm² cable with light green connectors has the following item number: 771-9993/005-105.

The 11th position defines the cable length. For example, a 5-meter cable with gray connectors has the following item number: 771-9993/006-503.

WINSTA® MIDI special Sockets and Plugs, 4-Pole

<p>2 x 0.5–4 mm² ❶ 400 V/6 kV/3 I_N 25 A ❸</p> <p> 9 mm / 0.35 in. ❷ Approvals</p>	<p>2 x 20–12 AWG</p> <p>2 x 0.5–4 mm² ❶ 400 V/6 kV/3 I_N 25 A ❸</p> <p> 9 mm / 0.35 in. ❷ Approvals</p>
--	---



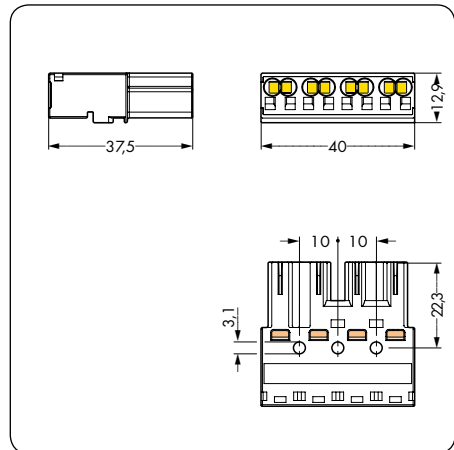
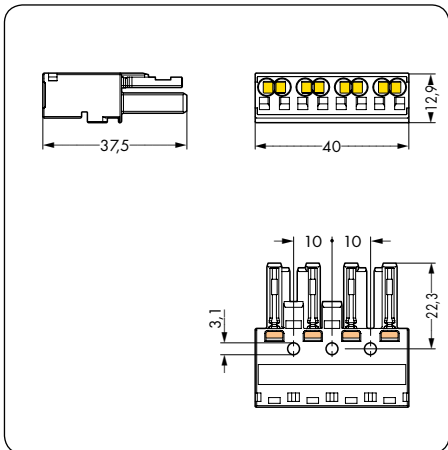
Description	Color	Item No.	Pack. Unit	Color	Item No.	Pack. Unit
Connectors, 4-pole, with CAGE CLAMP® S connection	Socket without strain relief housing			Plug without strain relief housing		
	gray	770-244	50	gray	770-254	50
	gray	770-244/060-000*	50	gray	770-254/060-000*	50
	gray	770-244/062-000*	50	gray	770-254/062-000*	50
	gray	770-244/064-000*	50	gray	770-254/064-000*	50
	light green	770-264	50	light green	770-274	50
	light green	770-264/071-000*	50	light green	770-274/071-000*	50
	light green	770-264/072-000*	50	light green	770-274/072-000*	50
	light green	770-264/073-000*	50	light green	770-274/073-000*	50
	pink	770-284	50	pink	770-294	50
	pink	770-284/081-000*	50	pink	770-294/081-000*	50
		* For pole marking, see page 287.			* For pole marking, see page 287.	

Item-Specific Accessories							
		Strain relief housing, for 2 cables, ❷ 5–9 mm diameter black 770-504/023-000 50 white 770-514/023-000 50				Strain relief housing, for 2 cables, ❷ 5–9 mm diameter black 770-504/023-000 50 white 770-514/023-000 50	
		Strain relief housing, for 2 cables, ❷ 9–13 mm diameter black 770-504 50 white 770-514 50				Strain relief housing, for 2 cables, ❷ 9–13 mm diameter black 770-504 50 white 770-514 50	

Accessories, 770 Series							
		Locking lever, for "flying leads", manually operated black 770-101 100 (4x25) white 770-121 100 (4x25)				Locking lever, for "flying leads", tool operated black 770-111 100 (4x25) white 770-131 100 (4x25)	

Info	Dimensions
------	------------

- ❶ Conductor sizes: 0.5–4 mm² "s + f-st"
0.5–2.5 mm² "stranded"
 - ❷ For "International Certification Organizations" and "Approvals – User Guide", see pages 300 to 303.
 - ❸ Full rated current can only be applied to a maximum of 3 poles!
 - ❹ For more strain relief housings, see page 122.
- Standard printing (without suffix number)
- gray Coding B (1 2 3 4)
 - light green Coding B (1 2 3 4)
 - pink Coding B (1 2 3 4)
- For additional pole marking, see page 287.
- For coding information, see pages 284 to 286.
Fire load data available upon request.

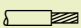
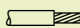


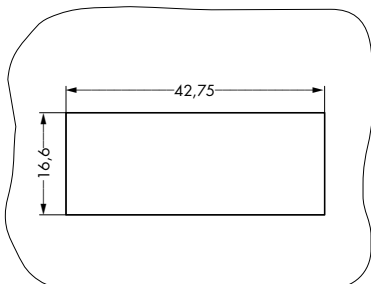
WINSTA® MIDI special Snap-In Sockets and Plugs, 4-Pole

CAGE CLAMP® S

4



177

Cutout dimensions Plate thickness: 0.5–2 mm Cutout tolerance: + 0.1 mm	2 x 0.5–4 mm ² ① 400 V/6 kV/3 I _N 25 A ③	2 x 20–12 AWG	2 x 0.5–4 mm ² ① 400 V/6 kV/3 I _N 25 A ③	2 x 20–12 AWG
	 9 mm / 0.35 in. ② Approvals			 9 mm / 0.35 in. ② Approvals





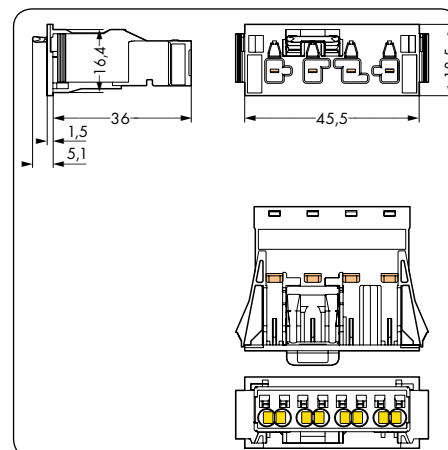
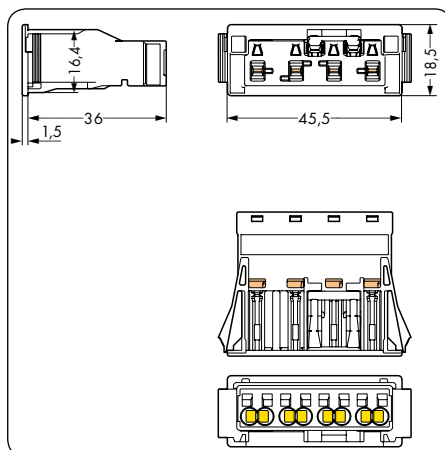
Description	Color	Item No.	Pack. Unit	Color	Item No.	Pack. Unit
Connectors, snap-in device connection, 3-pole, with CAGE CLAMP® S connection	Socket			Plug		
	● gray	770-744	50	● gray	770-754	50
	● gray	770-744/060-000*	50	● gray	770-754/060-000*	50
	● gray	770-744/062-000*	50	● gray	770-754/062-000*	50
	● gray	770-744/064-000*	50	● gray	770-754/064-000*	50
	● light green	770-764	50	● light green	770-774	50
	● light green	770-764/071-000*	50	● light green	770-774/071-000*	50
	● light green	770-764/072-000*	50	● light green	770-774/072-000*	50
	● light green	770-764/073-000*	50	● light green	770-774/073-000*	50
	● pink	770-784	50	● pink	770-794	50
	● pink	770-784/081-000*	50	● pink	770-794/081-000*	50
		*For pole marking, see page 287.			*For pole marking, see page 287.	

Item-Specific Accessories

	Lockout cap, for socket, separable, 12-pole  black 770-201 100 white 770-221 100	Lockout cap, for plug, separable, 5-pole  yellow 770-360 100
--	---	--

Accessories, 770 Series

	Lockout cap, for cutout, 4-pole  black 770-644 100 white 770-694 100	Lockout cap, for cutout, 4-pole  black 770-644 100 white 770-694 100
Dimensions		



WINSTA® – perfectly plugged!

4

WINSTA® MIDI special PCB Connectors, 4-Pole

	<p>400 V/6 kV/3 I_N 25 A ②</p> <p>① Approvals</p>	<p>400 V/6 kV/3 I_N 25 A ②</p> <p>① Approvals</p>
--	---	---

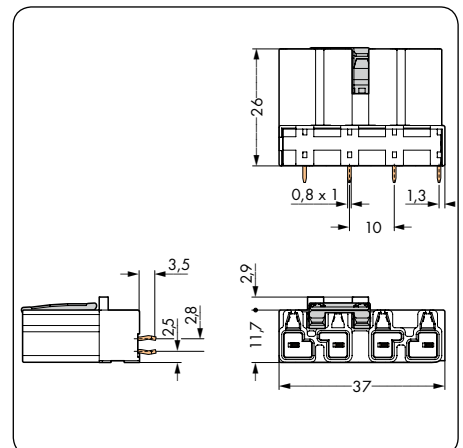
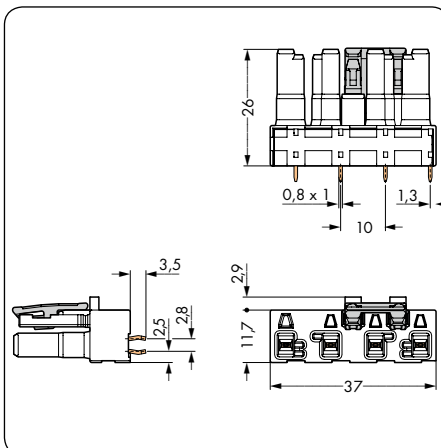


Description	Color	Item No.	Pack. Unit	Color	Item No.	Pack. Unit
PCB connectors, 2 solder pins per pole	Socket, straight			Plug, straight		
	gray	770-844	100	gray	770-854	100
	light green	770-864	100	light green	770-874	100
	pink	770-884	100	pink	770-894	100
	For additional pole marking, see page 287.			For additional pole marking, see page 287.		
Item-Specific Accessories						
	Lockout cap, for socket, separable, 12-pole			Lockout cap, for plug, separable, 5-pole		
		black 770-201 100 white 770-221 100			yellow 770-360 100	
				Coding pin, for plug (A and B coding)		
					gray 770-401 100	
Accessories, 770 Series						
	Locking lever, for "flying leads", manually operated			Locking lever, for "flying leads", tool operated		
		black 770-101 100 (4x25) white 770-121 100 (4x25)			black 770-111 100 (4x25) white 770-131 100 (4x25)	
Info	Dimensions					

- ① For "International Certification Organizations" and "Approvals – User Guide", see pages 300 to 303.
- ② Full rated current can only be applied to a maximum of 3 poles!

- gray Coding B (1 2 3 4)
 - light green Coding B (1 2 3 4)
 - pink Coding B (1 2 3 4)
- For additional pole marking, see page 287.

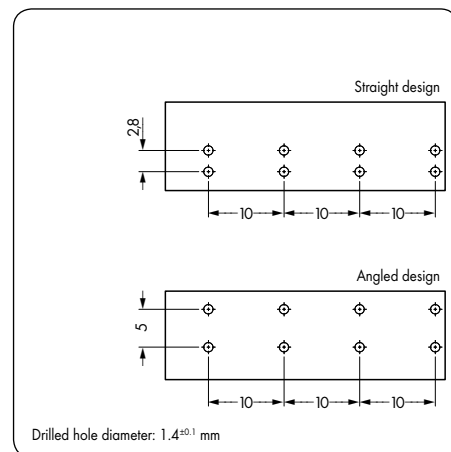
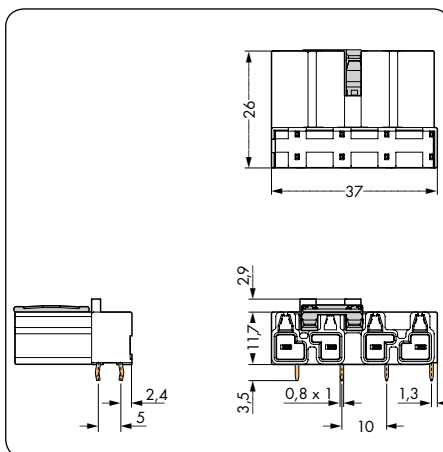
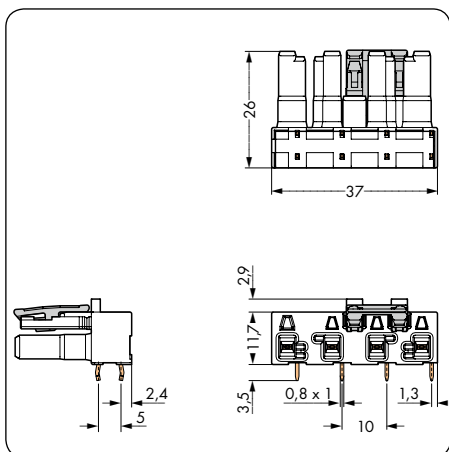
For coding information, see pages 284 to 286.
Fire load data available upon request.



400 V/6 kV/3 I_N 25 A ② ① Approvals	400 V/6 kV/3 I_N 25 A ② ① Approvals
---	---



Color	Item No.	Pack. Unit	Color	Item No.	Pack. Unit
Socket, angled			Plug, angled		
gray	770-844/011-000	100	gray	770-854/011-000	100
light green	770-864/011-000	100	light green	770-874/011-000	100
pink	770-884/011-000	100	pink	770-894/011-000	100
For additional pole marking, see page 287.			For additional pole marking, see page 287.		
Item-Specific Accessories					
Lockout cap, for socket, separable, 12-pole			Lockout cap, for plug, separable, 5-pole		
	black 770-201	100		yellow 770-360	100
	white 770-221	100			
			Coding pin, for plug (A and B coding)		
				gray 770-401	100
Accessories, 770 Series					
Locking lever, for "flying leads", manually operated			Locking lever, for "flying leads", tool operated		
	black 770-101	100 (4x25)		black 770-111	100 (4x25)
	white 770-121	100 (4x25)		white 770-131	100 (4x25)
Dimensions			Hole patterns		








WINSTA® – perfectly plugged!

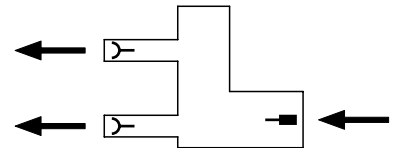
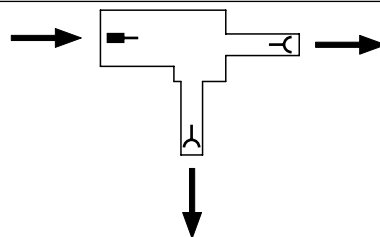
WINSTA® MIDI special T- and h-Distribution Connectors, 4-Pole

	<p>400 V/6 kV/3 I_N 25 A ④</p> <p>① Approvals</p>	<p>400 V/6 kV/3 I_N 25 A ④</p> <p>① Approvals</p>
--	---	---

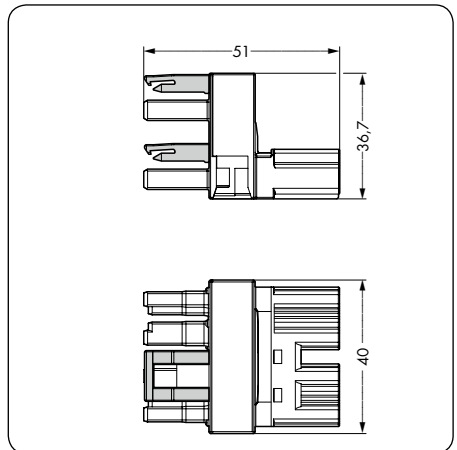
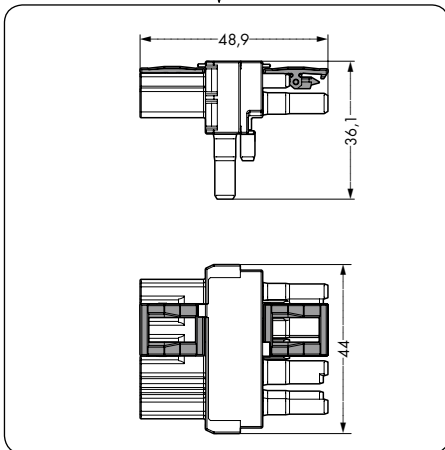


Description	Color	Item No.	Pack. Unit	Color	Item No.	Pack. Unit
T-distribution connector, h-distribution connector, 4-pole	T-distribution connector, 1 x plug/2 x socket			h-distribution connector, unidirectional, plug/socket - socket		
	gray	770-1631	50	gray	770-1681	25
	light green	770-1632	50	light green	770-1682	25
	pink	770-1633	50	pink	770-1683	25
	for "flying leads", with 3rd locking lever			for "flying leads", with 3rd locking lever		
	gray	770-1731	50	gray	770-1781	25
	light green	770-1732	50	light green	770-1782	25
	pink	770-1733	50	pink	770-1783	25
	For additional pole marking, see page 287.			For additional pole marking, see page 287.		

Item-Specific Accessories						
	Lockout cap , for socket, separable, 12-pole  <ul style="list-style-type: none"> black 770-201 100 white 770-221 100 			Mounting plate , for distribution connectors  <ul style="list-style-type: none"> black 770-624 25 white 770-674 25 		
	Lockout cap , for plug, separable, 5-pole  <ul style="list-style-type: none"> yellow 770-360 100 			Fixing pin , for mounting plates  <ul style="list-style-type: none"> ② black 890-601 250 ③ black 770-601 250 		
				Lockout cap , for socket, separable, 12-pole  <ul style="list-style-type: none"> black 770-201 100 white 770-221 100 		
Info	Dimensions					






- ① For "International Certification Organizations" and "Approvals – User Guide", see pages 300 to 303.
 - ② 5.0 mm Ø, 0.2–1.2 mm plate thickness
 - ③ 6.0 mm Ø, 1–2.5 mm plate thickness
 - ④ Full rated current can only be applied to a maximum of 3 poles!
- gray Coding B (1 2 3 4)
 light green Coding B (1 2 3 4)
 pink Coding B (1 2 3 4)
- For additional pole marking, see page 287.
- For coding information, see pages 284 to 286.
Fire load data available upon request.

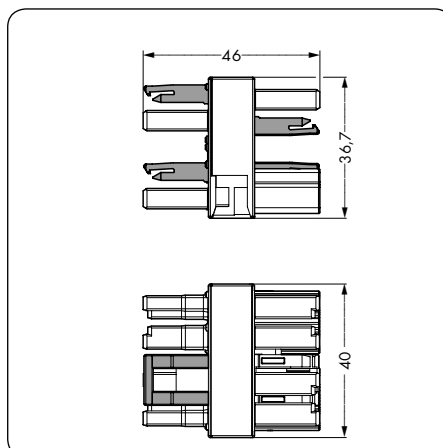
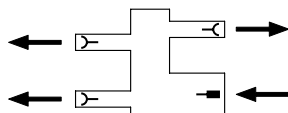


WINSTA® MIDI special Distribution Connectors, 4-Pole

	<p>400 V/6 kV/3 I_N 25 A ④</p> <p>① Approvals</p>	
--	---	--



Description	Color	Item No.	Pack. Unit
Distribution connector, 4-pole	Distribution connector, 3-way, 1 x plug/3 x socket		
	gray	770-1734	50
	light green	770-1735	50
	pink	770-1736	50
	For additional pole marking, see page 287.		
Item-Specific Accessories			
	Mounting plate, for distribution connectors		
		black 770-624	25
		white 770-674	25
	Fixing pin, for mounting plates		
		② black 890-601	250
		③ black 770-601	250
	Lockout cap, for socket, separable, 12-pole		
		black 770-201	100
		white 770-221	100
	Lockout cap, for plug, separable, 5-pole		
		yellow 770-360	100
	Dimensions		



WINSTA® MIDI special Cable Assemblies 4 x 1 mm²

		<p>PVC Control line: 4 x 1, gray</p> <p>400 V/6 kV/3 I_N 10 A ②</p> <p>Conductor ends, bonded: 9 mm</p> <p>① Approvals</p>																																			
<p>Interconnecting cable, socket – plug</p>		Length	Item No.	Item No.	Item No.																																
		<p>Coding B</p> <p>PVC</p> <table border="1"> <tr><td>1 m</td><td>● 771-9994/005-103</td><td>● 771-9994/005-105</td><td>● 771-9994/005-107</td></tr> <tr><td>2 m</td><td>● 771-9994/005-203</td><td>● 771-9994/005-205</td><td>● 771-9994/005-207</td></tr> <tr><td>3 m</td><td>● 771-9994/005-303</td><td>● 771-9994/005-305</td><td>● 771-9994/005-307</td></tr> <tr><td>4 m</td><td>● 771-9994/005-403</td><td>● 771-9994/005-405</td><td>● 771-9994/005-407</td></tr> <tr><td>5 m</td><td>● 771-9994/005-503</td><td>● 771-9994/005-505</td><td>● 771-9994/005-507</td></tr> <tr><td>6 m</td><td>● 771-9994/005-603</td><td>● 771-9994/005-605</td><td>● 771-9994/005-607</td></tr> <tr><td>7 m</td><td>● 771-9994/005-703</td><td>● 771-9994/005-705</td><td>● 771-9994/005-707</td></tr> <tr><td>8 m</td><td>● 771-9994/005-803</td><td>● 771-9994/005-805</td><td>● 771-9994/005-807</td></tr> </table>				1 m	● 771-9994/005-103	● 771-9994/005-105	● 771-9994/005-107	2 m	● 771-9994/005-203	● 771-9994/005-205	● 771-9994/005-207	3 m	● 771-9994/005-303	● 771-9994/005-305	● 771-9994/005-307	4 m	● 771-9994/005-403	● 771-9994/005-405	● 771-9994/005-407	5 m	● 771-9994/005-503	● 771-9994/005-505	● 771-9994/005-507	6 m	● 771-9994/005-603	● 771-9994/005-605	● 771-9994/005-607	7 m	● 771-9994/005-703	● 771-9994/005-705	● 771-9994/005-707	8 m	● 771-9994/005-803	● 771-9994/005-805	● 771-9994/005-807
1 m	● 771-9994/005-103	● 771-9994/005-105	● 771-9994/005-107																																		
2 m	● 771-9994/005-203	● 771-9994/005-205	● 771-9994/005-207																																		
3 m	● 771-9994/005-303	● 771-9994/005-305	● 771-9994/005-307																																		
4 m	● 771-9994/005-403	● 771-9994/005-405	● 771-9994/005-407																																		
5 m	● 771-9994/005-503	● 771-9994/005-505	● 771-9994/005-507																																		
6 m	● 771-9994/005-603	● 771-9994/005-605	● 771-9994/005-607																																		
7 m	● 771-9994/005-703	● 771-9994/005-705	● 771-9994/005-707																																		
8 m	● 771-9994/005-803	● 771-9994/005-805	● 771-9994/005-807																																		
<p>Connecting cable, socket – free end</p>		Length	Item No.	Item No.	Item No.																																
		<p>Coding B</p> <p>PVC</p> <table border="1"> <tr><td>1 m</td><td>● 771-9994/105-103</td><td>● 771-9994/105-105</td><td>● 771-9994/105-107</td></tr> <tr><td>2 m</td><td>● 771-9994/105-203</td><td>● 771-9994/105-205</td><td>● 771-9994/105-207</td></tr> <tr><td>3 m</td><td>● 771-9994/105-303</td><td>● 771-9994/105-305</td><td>● 771-9994/105-307</td></tr> <tr><td>4 m</td><td>● 771-9994/105-403</td><td>● 771-9994/105-405</td><td>● 771-9994/105-407</td></tr> <tr><td>5 m</td><td>● 771-9994/105-503</td><td>● 771-9994/105-505</td><td>● 771-9994/105-507</td></tr> <tr><td>6 m</td><td>● 771-9994/105-603</td><td>● 771-9994/105-605</td><td>● 771-9994/105-607</td></tr> <tr><td>7 m</td><td>● 771-9994/105-703</td><td>● 771-9994/105-705</td><td>● 771-9994/105-707</td></tr> <tr><td>8 m</td><td>● 771-9994/105-803</td><td>● 771-9994/105-805</td><td>● 771-9994/105-807</td></tr> </table>				1 m	● 771-9994/105-103	● 771-9994/105-105	● 771-9994/105-107	2 m	● 771-9994/105-203	● 771-9994/105-205	● 771-9994/105-207	3 m	● 771-9994/105-303	● 771-9994/105-305	● 771-9994/105-307	4 m	● 771-9994/105-403	● 771-9994/105-405	● 771-9994/105-407	5 m	● 771-9994/105-503	● 771-9994/105-505	● 771-9994/105-507	6 m	● 771-9994/105-603	● 771-9994/105-605	● 771-9994/105-607	7 m	● 771-9994/105-703	● 771-9994/105-705	● 771-9994/105-707	8 m	● 771-9994/105-803	● 771-9994/105-805	● 771-9994/105-807
1 m	● 771-9994/105-103	● 771-9994/105-105	● 771-9994/105-107																																		
2 m	● 771-9994/105-203	● 771-9994/105-205	● 771-9994/105-207																																		
3 m	● 771-9994/105-303	● 771-9994/105-305	● 771-9994/105-307																																		
4 m	● 771-9994/105-403	● 771-9994/105-405	● 771-9994/105-407																																		
5 m	● 771-9994/105-503	● 771-9994/105-505	● 771-9994/105-507																																		
6 m	● 771-9994/105-603	● 771-9994/105-605	● 771-9994/105-607																																		
7 m	● 771-9994/105-703	● 771-9994/105-705	● 771-9994/105-707																																		
8 m	● 771-9994/105-803	● 771-9994/105-805	● 771-9994/105-807																																		
<p>Connecting cable, plug – free end</p>		Length	Item No.	Item No.	Item No.																																
		<p>Coding B</p> <p>PVC</p> <table border="1"> <tr><td>1 m</td><td>● 771-9994/205-103</td><td>● 771-9994/205-105</td><td>● 771-9994/205-107</td></tr> <tr><td>2 m</td><td>● 771-9994/205-203</td><td>● 771-9994/205-205</td><td>● 771-9994/205-207</td></tr> <tr><td>3 m</td><td>● 771-9994/205-303</td><td>● 771-9994/205-305</td><td>● 771-9994/205-307</td></tr> <tr><td>4 m</td><td>● 771-9994/205-403</td><td>● 771-9994/205-405</td><td>● 771-9994/205-407</td></tr> <tr><td>5 m</td><td>● 771-9994/205-503</td><td>● 771-9994/205-505</td><td>● 771-9994/205-507</td></tr> <tr><td>6 m</td><td>● 771-9994/205-603</td><td>● 771-9994/205-605</td><td>● 771-9994/205-607</td></tr> <tr><td>7 m</td><td>● 771-9994/205-703</td><td>● 771-9994/205-705</td><td>● 771-9994/205-707</td></tr> <tr><td>8 m</td><td>● 771-9994/205-803</td><td>● 771-9994/205-805</td><td>● 771-9994/205-807</td></tr> </table>				1 m	● 771-9994/205-103	● 771-9994/205-105	● 771-9994/205-107	2 m	● 771-9994/205-203	● 771-9994/205-205	● 771-9994/205-207	3 m	● 771-9994/205-303	● 771-9994/205-305	● 771-9994/205-307	4 m	● 771-9994/205-403	● 771-9994/205-405	● 771-9994/205-407	5 m	● 771-9994/205-503	● 771-9994/205-505	● 771-9994/205-507	6 m	● 771-9994/205-603	● 771-9994/205-605	● 771-9994/205-607	7 m	● 771-9994/205-703	● 771-9994/205-705	● 771-9994/205-707	8 m	● 771-9994/205-803	● 771-9994/205-805	● 771-9994/205-807
1 m	● 771-9994/205-103	● 771-9994/205-105	● 771-9994/205-107																																		
2 m	● 771-9994/205-203	● 771-9994/205-205	● 771-9994/205-207																																		
3 m	● 771-9994/205-303	● 771-9994/205-305	● 771-9994/205-307																																		
4 m	● 771-9994/205-403	● 771-9994/205-405	● 771-9994/205-407																																		
5 m	● 771-9994/205-503	● 771-9994/205-505	● 771-9994/205-507																																		
6 m	● 771-9994/205-603	● 771-9994/205-605	● 771-9994/205-607																																		
7 m	● 771-9994/205-703	● 771-9994/205-705	● 771-9994/205-707																																		
8 m	● 771-9994/205-803	● 771-9994/205-805	● 771-9994/205-807																																		

Info

- ① For "International Certification Organizations" and "Approvals – User Guide", see pages 300 to 303. Marine approvals (GL, LR, NV) relate exclusively to cables approved for marine applications.
 - ② Full rated current can only be applied to a maximum of 3 poles!
- For other cables, please contact factory.
- gray Coding B (1 2 3 4)
 - light green Coding B (1 2 3 4)
 - pink Coding B (1 2 3 4)
- For additional pole marking, see page 287.

For coding information, see pages 284 to 286.
Fire load data available upon request.

Accessories

<p>Locking lever, for "flying leads", manually operated</p>			
	black	770-101	100 (4x25)
	white	770-121	100 (4x25)
<p>Locking lever, for "flying leads", tool operated</p>			
	black	770-111	100 (4x25)
	white	770-131	100 (4x25)
<p>Lockout cap, for socket, separable, 12-pole</p>			
	black	770-201	100
	white	770-221	100
<p>Lockout cap, for plug, separable, 5-pole</p>			
	yellow	770-360	100

WINSTA® MIDI special Cable Assemblies 4 x 1.5 mm²

		PVC Control line: 4 x 1.5, gray 400 V/6 kV/3 I_N 16 A ② Conductor ends, bonded: 9 mm ① Approvals			
Interconnecting cable, socket – plug		Length	Item No.	Item No.	Item No.
		Coding B PVC 1 m ● 771-9994/006-103 ● 771-9994/006-105 ● 771-9994/006-107 2 m ● 771-9994/006-203 ● 771-9994/006-205 ● 771-9994/006-207 3 m ● 771-9994/006-303 ● 771-9994/006-305 ● 771-9994/006-307 4 m ● 771-9994/006-403 ● 771-9994/006-405 ● 771-9994/006-407 5 m ● 771-9994/006-503 ● 771-9994/006-505 ● 771-9994/006-507 6 m ● 771-9994/006-603 ● 771-9994/006-605 ● 771-9994/006-607 7 m ● 771-9994/006-703 ● 771-9994/006-705 ● 771-9994/006-707 8 m ● 771-9994/006-803 ● 771-9994/006-805 ● 771-9994/006-807			
Connecting cable, socket – free end		Length	Item No.	Item No.	Item No.
		Coding B PVC 1 m ● 771-9994/106-103 ● 771-9994/106-105 ● 771-9994/106-107 2 m ● 771-9994/106-203 ● 771-9994/106-205 ● 771-9994/106-207 3 m ● 771-9994/106-303 ● 771-9994/106-305 ● 771-9994/106-307 4 m ● 771-9994/106-403 ● 771-9994/106-405 ● 771-9994/106-407 5 m ● 771-9994/106-503 ● 771-9994/106-505 ● 771-9994/106-507 6 m ● 771-9994/106-603 ● 771-9994/106-605 ● 771-9994/106-607 7 m ● 771-9994/106-703 ● 771-9994/106-705 ● 771-9994/106-707 8 m ● 771-9994/106-803 ● 771-9994/106-805 ● 771-9994/106-807			
Connecting cable, plug – free end		Length	Item No.	Item No.	Item No.
		Coding B PVC 1 m ● 771-9994/206-103 ● 771-9994/206-105 ● 771-9994/206-107 2 m ● 771-9994/206-203 ● 771-9994/206-205 ● 771-9994/206-207 3 m ● 771-9994/206-303 ● 771-9994/206-305 ● 771-9994/206-307 4 m ● 771-9994/206-403 ● 771-9994/206-405 ● 771-9994/206-407 5 m ● 771-9994/206-503 ● 771-9994/206-505 ● 771-9994/206-507 6 m ● 771-9994/206-603 ● 771-9994/206-605 ● 771-9994/206-607 7 m ● 771-9994/206-703 ● 771-9994/206-705 ● 771-9994/206-707 8 m ● 771-9994/206-803 ● 771-9994/206-805 ● 771-9994/206-807			

Item numbers overview for other cable lengths

Position	1 - 3	-	4	5	6	7	/	8	9	10	-	11	12	13
gray	771	-	9	9	9	4	/	0	0	6	-	1	0	3
light green	771	-	9	9	9	4	/	0	0	6	-	1	0	5
pink	771	-	9	9	9	4	/	0	0	6	-	1	0	7

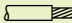
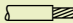
The item numbers listed above correspond to the following cable version:
Interconnecting cable, 4-pole, socket – plug, PVC control line, 4 x 1.5 mm², 1 m long

The 9th position defines whether it is a PVC or halogen-free cable. For example, an halogen-free cable with pink connectors has the following item number: 771-9994/016-107.

The 10th position defines the cable cross-section. For example, a 4 x 1.5 mm² cable with light green connectors has the following item number: 771-9994/006-105.





The 11th position defines the cable length. For example, a 5-meter cable with gray connectors has the following item number: 771-9994/006-503.



WINSTA® MIDI special Sockets and Plugs, 5-Pole

<p>2 x 0.5–4 mm² ❶ 400 V/6 kV/3 I_N 25 A ❸</p> <p> 9 mm / 0.35 in. ❷ Approvals</p>	<p>2 x 20–12 AWG</p> <p>2 x 0.5–4 mm² ❶ 400 V/6 kV/3 I_N 25 A ❸</p> <p> 9 mm / 0.35 in. ❷ Approvals</p>
--	---

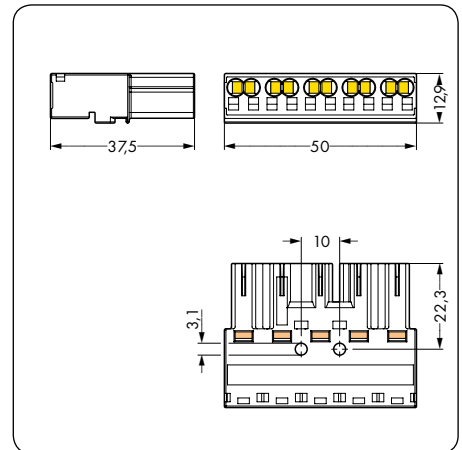
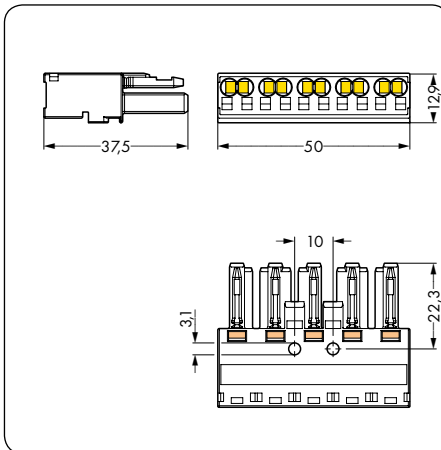


Description	Color	Item No.	Pack. Unit	Color	Item No.	Pack. Unit
Connectors, 5-pole, with CAGE CLAMP® S connection	Socket without strain relief housing			Plug without strain relief housing		
	gray	770-245	50	gray	770-255	50
	gray	770-245/060-000*	50	gray	770-255/060-000*	50
	gray	770-245/062-000*	50	gray	770-255/062-000*	50
	gray	770-245/064-000*	50	gray	770-255/064-000*	50
	light green	770-265	50	light green	770-275	50
	light green	770-265/073-000*	50	light green	770-275/073-000*	50
	pink	770-285	50	pink	770-295	50
	pink	770-285/080-000*	50	pink	770-295/080-000*	50
	pink	770-285/082-000*	50	pink	770-295/082-000*	50
	* For pole marking, see page 287.			* For pole marking, see page 287.		

Item-Specific Accessories							
		Strain relief housing, for 2 cables, ❹  5-9 mm diameter black 770-505/023-000 25 white 770-515/023-000 25				Strain relief housing, for 2 cables, ❹  5-9 mm diameter black 770-505/023-000 25 white 770-515/023-000 25	
		Strain relief housing, for 2 cables, ❹  9-13 mm diameter black 770-505 25 white 770-515 25				Strain relief housing, for 2 cables, ❹  9-13 mm diameter black 770-505 25 white 770-515 25	

Accessories, 770 Series							
		Locking lever, for "flying leads,"  manually operated black 770-101 100 (4x25) white 770-121 100 (4x25)				Locking lever, for "flying leads,"  tool operated black 770-111 100 (4x25) white 770-131 100 (4x25)	
Info		Dimensions					

- ❶ Conductor sizes: 0.5–4 mm² "s + f-st"
0.5–2.5 mm² "stranded"
 - ❷ For "International Certification Organizations" and "Approvals - User Guide," see pages 300 to 303.
 - ❸ Full rated current can only be applied to a maximum of 3 poles!
 - ❹ For more strain relief housings, see pages 136 and 137.
- Standard printing (without suffix number)
- gray Coding B (1 2 3 4 5)
 - light green Coding B (1 2 3 4 5)
 - pink Coding B (1 2 3 4 5)
- For additional pole marking, see page 287.
- For coding information, see pages 284 to 286.
Fire load data available upon request.

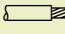
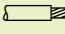


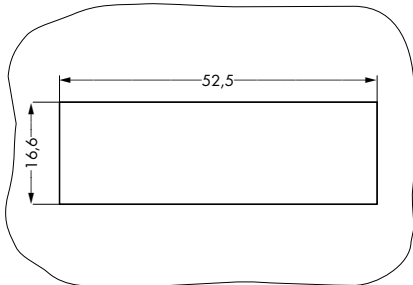
WINSTA® MIDI special Snap-In Sockets and Plugs, 5-Pole

CAGE CLAMP® S



4



185

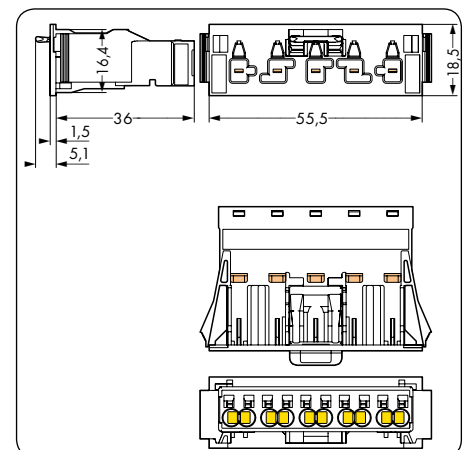
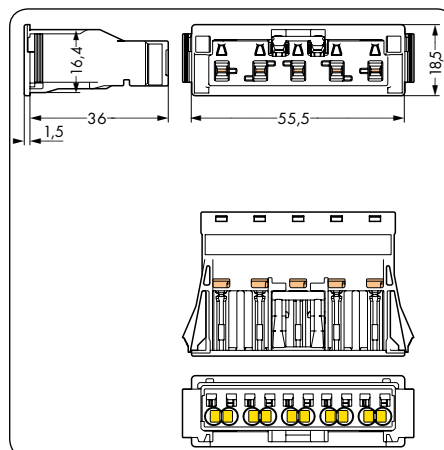
Cutout dimensions Plate thickness: 0.5–2 mm Cutout tolerance: + 0.1 mm	2 x 0.5–4 mm ² ① 400 V/6 kV/3 I _N 25 A ③	2 x 20–12 AWG	2 x 0.5–4 mm ² ① 400 V/6 kV/3 I _N 25 A ③	2 x 20–12 AWG
	 9 mm / 0.35 in. ② Approvals		 9 mm / 0.35 in. ② Approvals	



Description	Color	Item No.	Pack. Unit	Color	Item No.	Pack. Unit
Connectors, snap-in device connection, 5-pole, with CAGE CLAMP® S connection	Socket			Plug		
	gray	770-745	50	gray	770-755	50
	gray	770-745/060-000*	50	gray	770-755/060-000*	50
	gray	770-745/062-000*	50	gray	770-755/062-000*	50
	gray	770-745/064-000*	50	gray	770-755/064-000*	50
	light green	770-765	50	light green	770-775	50
	light green	770-765/073-000*	50	light green	770-775/073-000*	50
	pink	770-785	50	pink	770-795	50
	pink	770-785/080-000*	50	pink	770-795/080-000*	50
	pink	770-785/082-000*	50	pink	770-795/082-000*	50
	For snap in frame for sockets and plugs, see page 139.			For snap in frame for sockets and plugs, see page 139.		
	*For pole marking, see page 287.			*For pole marking, see page 287.		

Item-Specific Accessories						
Lockout cap, for socket, separable, 12-pole			Lockout cap, for plug, separable, 5-pole			
 black 770-201 100 white 770-221 100			 yellow 770-360 100			

Accessories, 770 Series						
Lockout cap, for cutout, 5-pole			Lockout cap, for cutout, 5-pole			
 black 770-645 100 white 770-695 100			 black 770-645 100 white 770-695 100			
Dimensions						



WINSTA® – perfectly plugged!

	<p>400 V/6 kV/3 I_N 25 A ②</p> <p>① Approvals</p>	<p>400 V/6 kV/3 I_N 25 A ②</p> <p>① Approvals</p>
--	---	---



Description	Color	Item No.	Pack. Unit	Color	Item No.	Pack. Unit
PCB connectors, 2 solder pins per pole	Socket, straight			Plug, straight		
	gray	770-845	100	gray	770-855	100
	light green	770-865	100	light green	770-875	100
	pink	770-885	100	pink	770-895	100
	For additional pole marking, see page 287.			For additional pole marking, see page 287.		

Item-Specific Accessories						
	Lockout cap, for socket, separable, 12-pole			Lockout cap, for plug, separable, 5-pole		
		black 770-201 100 white 770-221 100			yellow 770-360 100	
				Coding pin, for plug (A and B coding)		
					gray 770-401 100	

Accessories, 770 Series						
	Locking lever, for "flying leads," manually operated			Locking lever, for "flying leads," tool operated		
		black 770-101 100 (4x25) white 770-121 100 (4x25)			black 770-111 100 (4x25) white 770-131 100 (4x25)	

Info	Dimensions
------	------------

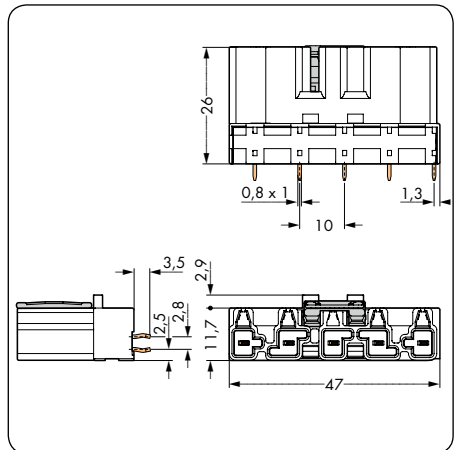
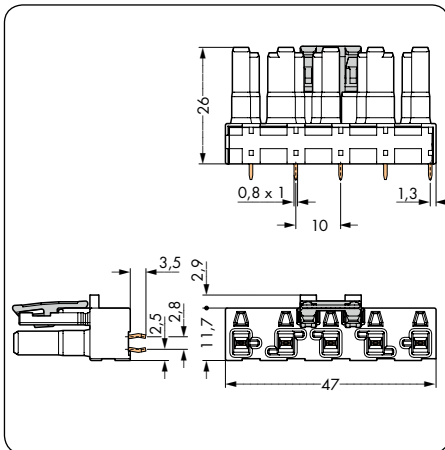
① For "International Certification Organizations" and "Approvals - User Guide," see pages 300 to 303.

② Full rated current can only be applied to a maximum of 3 poles!

● gray Coding B (1 2 3 4 5)
● light green Coding B (1 2 3 4 5)
● pink Coding B (1 2 3 4 5)

For additional pole marking, see page 287.

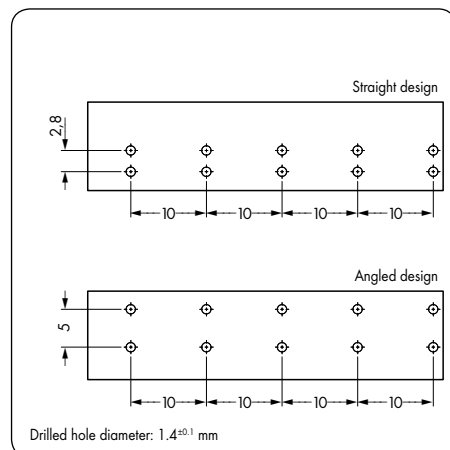
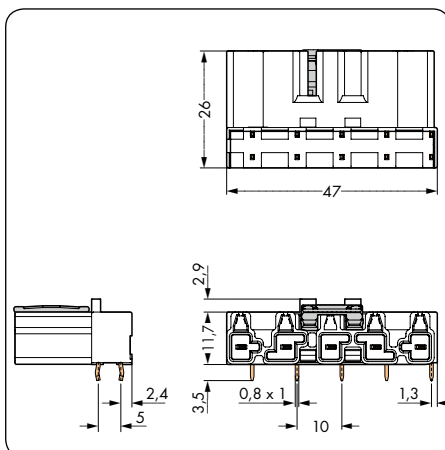
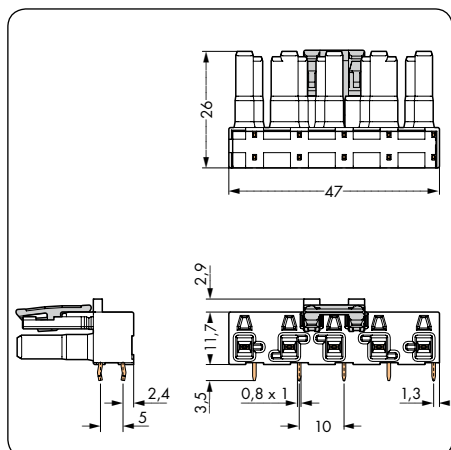
For coding information, see pages 284 to 286.
Fire load data available upon request.



<p>400 V/6 kV/3 I_N 25 A ②</p> <p>① Approvals</p>	<p>400 V/6 kV/3 I_N 25 A ②</p> <p>① Approvals</p>
---	---



Color	Item No.	Pack. Unit	Color	Item No.	Pack. Unit
Socket, angled			Plug, angled		
gray	770-845/011-000	100	gray	770-855/011-000	100
light green	770-865/011-000	100	light green	770-875/011-000	100
pink	770-885/011-000	100	pink	770-895/011-000	100
For additional pole marking, see page 287.			For additional pole marking, see page 287.		
Item-Specific Accessories					
Lockout cap, for socket, separable, 12-pole			Lockout cap, for plug, separable, 5-pole		
	black 770-201	100		yellow 770-360	100
	white 770-221	100			
			Coding pin, for plug (A and B coding)		
				gray 770-401	100
Accessories, 770 Series					
Locking lever, for "flying leads," manually operated			Locking lever, for "flying leads," tool operated		
	black 770-101	100 (4x25)		black 770-111	100 (4x25)
	white 770-121	100 (4x25)		white 770-131	100 (4x25)
Dimensions					
			Hole patterns		



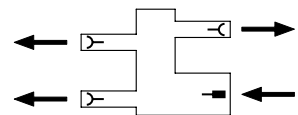
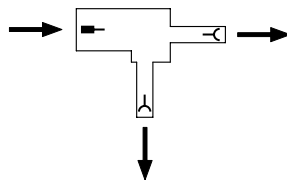
WINSTA® – perfectly plugged!

WINSTA® MIDI special T-Distribution Connectors and Distribution Connectors, 5-Pole

	<p>400 V/6 kV/3 I_N 25 A ④</p> <p>① Approvals</p>	<p>400 V/6 kV/3 I_N 25 A ④</p> <p>① Approvals</p>
--	---	---



Description	Color	Item No.	Pack. Unit	Color	Item No.	Pack. Unit
T-distribution connectors, distribution connectors, 5-pole	T-distribution connector, 1 x plug/2 x socket			Distribution connector, 3-way, 1 x plug/3 x socket		
	gray	770-1641	50	gray	770-1744	25
	light green	770-1642	50	light green	770-1745	25
	pink	770-1643	50	pink	770-1746	25
	for "flying leads", with 3rd locking lever					
	gray	770-1741	50			
	light green	770-1742	50			
	pink	770-1743	50			
For additional pole marking, see page 287.			For additional pole marking, see page 287.			
Item-Specific Accessories						
	Lockout cap, for socket, separable, 12-pole			Mounting plate, for distribution connectors		
		black 770-201 100 white 770-221 100			black 770-625 25 white 770-675 25	
	Lockout cap, for plug, separable, 5-pole			Fixing pin, for mounting plates		
		yellow 770-360 100			② black 890-601 250 ③ black 770-601 250	
				Lockout cap, for socket, separable, 12-pole		
					black 770-201 100 white 770-221 100	
Info	Dimensions					



① For "International Certification Organizations" and "Approvals - User Guide," see pages 300 to 303.

② 5.0 mm Ø, 0.2–1.2 mm plate thickness

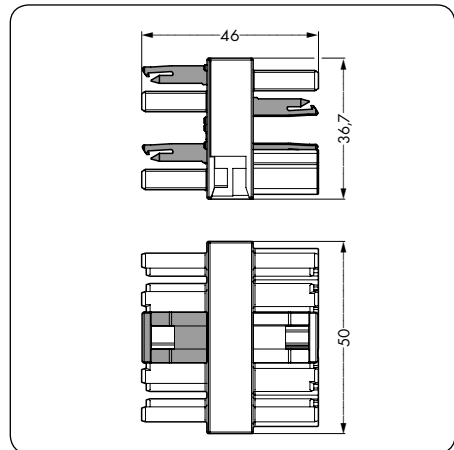
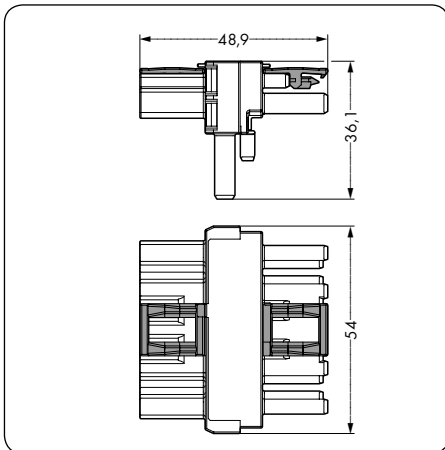
③ 6.0 mm Ø, 1–2.5 mm plate thickness

④ Full rated current can only be applied to a maximum of 3 poles!

gray Coding B (1 2 3 4 5)
light green Coding B (1 2 3 4 5)
pink Coding B (1 2 3 4 5)

For additional pole marking, see page 287.

For coding information, see pages 284 to 286.
Fire load data available upon request.





WINSTA® MIDI special Cable Assemblies 5 x 1 mm²

		<p>PVC Control line: 5 x 1, gray</p> <p>400 V/6 kV/3 I_N 10 A ②</p> <p>Conductor ends, bonded: 9 mm</p> <p>① Approvals</p>																																			
<p>Interconnecting cable, socket – plug</p>		Length	Item No.	Item No.	Item No.																																
		<p>Coding B</p> <p>PVC</p> <table border="1"> <tr><td>1 m</td><td>● 771-9995/005-103</td><td>● 771-9995/005-105</td><td>● 771-9995/005-107</td></tr> <tr><td>2 m</td><td>● 771-9995/005-203</td><td>● 771-9995/005-205</td><td>● 771-9995/005-207</td></tr> <tr><td>3 m</td><td>● 771-9995/005-303</td><td>● 771-9995/005-305</td><td>● 771-9995/005-307</td></tr> <tr><td>4 m</td><td>● 771-9995/005-403</td><td>● 771-9995/005-405</td><td>● 771-9995/005-407</td></tr> <tr><td>5 m</td><td>● 771-9995/005-503</td><td>● 771-9995/005-505</td><td>● 771-9995/005-507</td></tr> <tr><td>6 m</td><td>● 771-9995/005-603</td><td>● 771-9995/005-605</td><td>● 771-9995/005-607</td></tr> <tr><td>7 m</td><td>● 771-9995/005-703</td><td>● 771-9995/005-705</td><td>● 771-9995/005-707</td></tr> <tr><td>8 m</td><td>● 771-9995/005-803</td><td>● 771-9995/005-805</td><td>● 771-9995/005-807</td></tr> </table>				1 m	● 771-9995/005-103	● 771-9995/005-105	● 771-9995/005-107	2 m	● 771-9995/005-203	● 771-9995/005-205	● 771-9995/005-207	3 m	● 771-9995/005-303	● 771-9995/005-305	● 771-9995/005-307	4 m	● 771-9995/005-403	● 771-9995/005-405	● 771-9995/005-407	5 m	● 771-9995/005-503	● 771-9995/005-505	● 771-9995/005-507	6 m	● 771-9995/005-603	● 771-9995/005-605	● 771-9995/005-607	7 m	● 771-9995/005-703	● 771-9995/005-705	● 771-9995/005-707	8 m	● 771-9995/005-803	● 771-9995/005-805	● 771-9995/005-807
1 m	● 771-9995/005-103	● 771-9995/005-105	● 771-9995/005-107																																		
2 m	● 771-9995/005-203	● 771-9995/005-205	● 771-9995/005-207																																		
3 m	● 771-9995/005-303	● 771-9995/005-305	● 771-9995/005-307																																		
4 m	● 771-9995/005-403	● 771-9995/005-405	● 771-9995/005-407																																		
5 m	● 771-9995/005-503	● 771-9995/005-505	● 771-9995/005-507																																		
6 m	● 771-9995/005-603	● 771-9995/005-605	● 771-9995/005-607																																		
7 m	● 771-9995/005-703	● 771-9995/005-705	● 771-9995/005-707																																		
8 m	● 771-9995/005-803	● 771-9995/005-805	● 771-9995/005-807																																		
<p>Connecting cable, socket – free end</p>		Length	Item No.	Item No.	Item No.																																
		<p>Coding B</p> <p>PVC</p> <table border="1"> <tr><td>1 m</td><td>● 771-9995/105-103</td><td>● 771-9995/105-105</td><td>● 771-9995/105-107</td></tr> <tr><td>2 m</td><td>● 771-9995/105-203</td><td>● 771-9995/105-205</td><td>● 771-9995/105-207</td></tr> <tr><td>3 m</td><td>● 771-9995/105-303</td><td>● 771-9995/105-305</td><td>● 771-9995/105-307</td></tr> <tr><td>4 m</td><td>● 771-9995/105-403</td><td>● 771-9995/105-405</td><td>● 771-9995/105-407</td></tr> <tr><td>5 m</td><td>● 771-9995/105-503</td><td>● 771-9995/105-505</td><td>● 771-9995/105-507</td></tr> <tr><td>6 m</td><td>● 771-9995/105-603</td><td>● 771-9995/105-605</td><td>● 771-9995/105-607</td></tr> <tr><td>7 m</td><td>● 771-9995/105-703</td><td>● 771-9995/105-705</td><td>● 771-9995/105-707</td></tr> <tr><td>8 m</td><td>● 771-9995/105-803</td><td>● 771-9995/105-805</td><td>● 771-9995/105-807</td></tr> </table>				1 m	● 771-9995/105-103	● 771-9995/105-105	● 771-9995/105-107	2 m	● 771-9995/105-203	● 771-9995/105-205	● 771-9995/105-207	3 m	● 771-9995/105-303	● 771-9995/105-305	● 771-9995/105-307	4 m	● 771-9995/105-403	● 771-9995/105-405	● 771-9995/105-407	5 m	● 771-9995/105-503	● 771-9995/105-505	● 771-9995/105-507	6 m	● 771-9995/105-603	● 771-9995/105-605	● 771-9995/105-607	7 m	● 771-9995/105-703	● 771-9995/105-705	● 771-9995/105-707	8 m	● 771-9995/105-803	● 771-9995/105-805	● 771-9995/105-807
1 m	● 771-9995/105-103	● 771-9995/105-105	● 771-9995/105-107																																		
2 m	● 771-9995/105-203	● 771-9995/105-205	● 771-9995/105-207																																		
3 m	● 771-9995/105-303	● 771-9995/105-305	● 771-9995/105-307																																		
4 m	● 771-9995/105-403	● 771-9995/105-405	● 771-9995/105-407																																		
5 m	● 771-9995/105-503	● 771-9995/105-505	● 771-9995/105-507																																		
6 m	● 771-9995/105-603	● 771-9995/105-605	● 771-9995/105-607																																		
7 m	● 771-9995/105-703	● 771-9995/105-705	● 771-9995/105-707																																		
8 m	● 771-9995/105-803	● 771-9995/105-805	● 771-9995/105-807																																		
<p>Connecting cable, plug – free end</p>		Length	Item No.	Item No.	Item No.																																
		<p>Coding B</p> <p>PVC</p> <table border="1"> <tr><td>1 m</td><td>● 771-9995/205-103</td><td>● 771-9995/205-105</td><td>● 771-9995/205-107</td></tr> <tr><td>2 m</td><td>● 771-9995/205-203</td><td>● 771-9995/205-205</td><td>● 771-9995/205-207</td></tr> <tr><td>3 m</td><td>● 771-9995/205-303</td><td>● 771-9995/205-305</td><td>● 771-9995/205-307</td></tr> <tr><td>4 m</td><td>● 771-9995/205-403</td><td>● 771-9995/205-405</td><td>● 771-9995/205-407</td></tr> <tr><td>5 m</td><td>● 771-9995/205-503</td><td>● 771-9995/205-505</td><td>● 771-9995/205-507</td></tr> <tr><td>6 m</td><td>● 771-9995/205-603</td><td>● 771-9995/205-605</td><td>● 771-9995/205-607</td></tr> <tr><td>7 m</td><td>● 771-9995/205-703</td><td>● 771-9995/205-705</td><td>● 771-9995/205-707</td></tr> <tr><td>8 m</td><td>● 771-9995/205-803</td><td>● 771-9995/205-805</td><td>● 771-9995/205-807</td></tr> </table>				1 m	● 771-9995/205-103	● 771-9995/205-105	● 771-9995/205-107	2 m	● 771-9995/205-203	● 771-9995/205-205	● 771-9995/205-207	3 m	● 771-9995/205-303	● 771-9995/205-305	● 771-9995/205-307	4 m	● 771-9995/205-403	● 771-9995/205-405	● 771-9995/205-407	5 m	● 771-9995/205-503	● 771-9995/205-505	● 771-9995/205-507	6 m	● 771-9995/205-603	● 771-9995/205-605	● 771-9995/205-607	7 m	● 771-9995/205-703	● 771-9995/205-705	● 771-9995/205-707	8 m	● 771-9995/205-803	● 771-9995/205-805	● 771-9995/205-807
1 m	● 771-9995/205-103	● 771-9995/205-105	● 771-9995/205-107																																		
2 m	● 771-9995/205-203	● 771-9995/205-205	● 771-9995/205-207																																		
3 m	● 771-9995/205-303	● 771-9995/205-305	● 771-9995/205-307																																		
4 m	● 771-9995/205-403	● 771-9995/205-405	● 771-9995/205-407																																		
5 m	● 771-9995/205-503	● 771-9995/205-505	● 771-9995/205-507																																		
6 m	● 771-9995/205-603	● 771-9995/205-605	● 771-9995/205-607																																		
7 m	● 771-9995/205-703	● 771-9995/205-705	● 771-9995/205-707																																		
8 m	● 771-9995/205-803	● 771-9995/205-805	● 771-9995/205-807																																		
<p>Info</p>		<p>Accessories</p>																																			

- ① For "International Certification Organizations" and "Approvals - User Guide," see pages 300 to 303. Marine approvals (GL, LR, NV) relate exclusively to cables approved for marine applications.
 - ② Full rated current can only be applied to a maximum of 3 poles!
- For other cables, please contact factory.
- gray Coding B (1 2 3 4 5)
 - light green Coding B (1 2 3 4 5)
 - pink Coding B (1 2 3 4 5)
- For additional pole marking, see page 287.

For coding information, see pages 284 to 286.
Fire load data available upon request.

Locking lever, for "flying leads,"



manually operated			
black	770-101	100	(4x25)
white	770-121	100	(4x25)

Locking lever, for "flying leads,"



tool operated			
black	770-111	100	(4x25)
white	770-131	100	(4x25)

Lockout cap, for socket, separable, 12-pole



black	770-201	100	
white	770-221	100	

Lockout cap, for plug, separable, 5-pole



yellow	770-360	100	
--------	---------	-----	--

WINSTA® MIDI special Cable Assemblies 5 x 1.5 mm²

		PVC Control line: 5 x 1.5, gray 400 V/6 kV/3 I_N 16 A ② Conductor ends, bonded: 9 mm ① Approvals			
Interconnecting cable, socket – plug		Length	Item No.	Item No.	Item No.
		Coding B PVC 1 m ● 771-9995/006-103 ● 771-9995/006-105 ● 771-9995/006-107 2 m ● 771-9995/006-203 ● 771-9995/006-205 ● 771-9995/006-207 3 m ● 771-9995/006-303 ● 771-9995/006-305 ● 771-9995/006-307 4 m ● 771-9995/006-403 ● 771-9995/006-405 ● 771-9995/006-407 5 m ● 771-9995/006-503 ● 771-9995/006-505 ● 771-9995/006-507 6 m ● 771-9995/006-603 ● 771-9995/006-605 ● 771-9995/006-607 7 m ● 771-9995/006-703 ● 771-9995/006-705 ● 771-9995/006-707 8 m ● 771-9995/006-803 ● 771-9995/006-805 ● 771-9995/006-807			
Connecting cable, socket – free end		Length	Item No.	Item No.	Item No.
		Coding B PVC 1 m ● 771-9995/106-103 ● 771-9995/106-105 ● 771-9995/106-107 2 m ● 771-9995/106-203 ● 771-9995/106-205 ● 771-9995/106-207 3 m ● 771-9995/106-303 ● 771-9995/106-305 ● 771-9995/106-307 4 m ● 771-9995/106-403 ● 771-9995/106-405 ● 771-9995/106-407 5 m ● 771-9995/106-503 ● 771-9995/106-505 ● 771-9995/106-507 6 m ● 771-9995/106-603 ● 771-9995/106-605 ● 771-9995/106-607 7 m ● 771-9995/106-703 ● 771-9995/106-705 ● 771-9995/106-707 8 m ● 771-9995/106-803 ● 771-9995/106-805 ● 771-9995/106-807			
Connecting cable, plug – free end		Length	Item No.	Item No.	Item No.
		Coding B PVC 1 m ● 771-9995/206-103 ● 771-9995/206-105 ● 771-9995/206-107 2 m ● 771-9995/206-203 ● 771-9995/206-205 ● 771-9995/206-207 3 m ● 771-9995/206-303 ● 771-9995/206-305 ● 771-9995/206-307 4 m ● 771-9995/206-403 ● 771-9995/206-405 ● 771-9995/206-407 5 m ● 771-9995/206-503 ● 771-9995/206-505 ● 771-9995/206-507 6 m ● 771-9995/206-603 ● 771-9995/206-605 ● 771-9995/206-607 7 m ● 771-9995/206-703 ● 771-9995/206-705 ● 771-9995/206-707 8 m ● 771-9995/206-803 ● 771-9995/206-805 ● 771-9995/206-807			

Item numbers overview for other cable lengths

Position	1 - 3	-	4	5	6	7	/	8	9	10	-	11	12	13
gray	771	-	9	9	9	5	/	0	0	6	-	1	0	3
light green	771	-	9	9	9	5	/	0	0	6	-	1	0	5
pink	771	-	9	9	9	5	/	0	0	6	-	1	0	7

The item numbers listed above correspond to the following cable version:
Interconnecting cable, 5-pole, socket – plug, PVC control line, 5 x 1.5 mm², 1 m long

The 9th position defines whether it is a PVC or halogen-free cable. For example, an halogen-free cable with pink connectors has the following item number: 771-9995/016-107.

The 10th position defines the cable cross-section. For example, a 5 x 1.5 mm² cable with light green connectors has the following item number: 771-9995/006-105.

The 11th position defines the cable length. For example, a 5-meter cable with gray connectors has the following item number: 771-9995/006-503.



5



771 Series	
Plug – Lamp Socket	194
Plug – Cold Equipment Coupling	194
Socket – SCHUKO Plug	195
Plug – SCHUKO Coupler	195



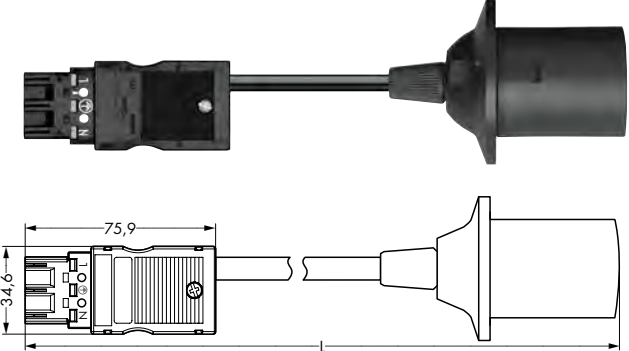
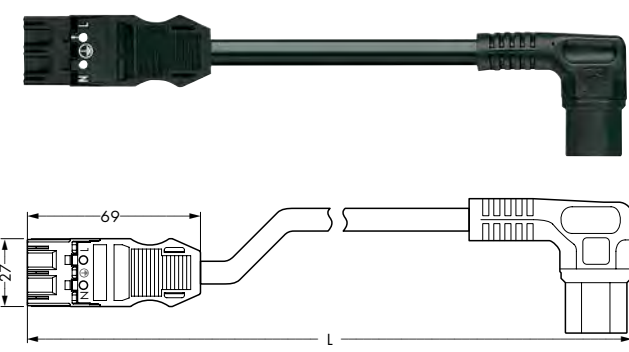












771 Series	
Connecting Cable for Distribution Connectors	196
Y-Cable	197



771 Series	
Adapter Cable for DALI	198

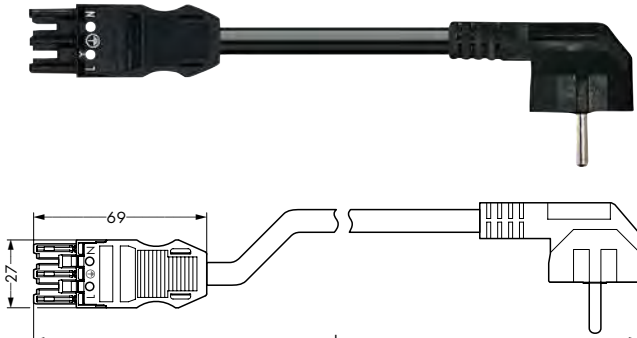
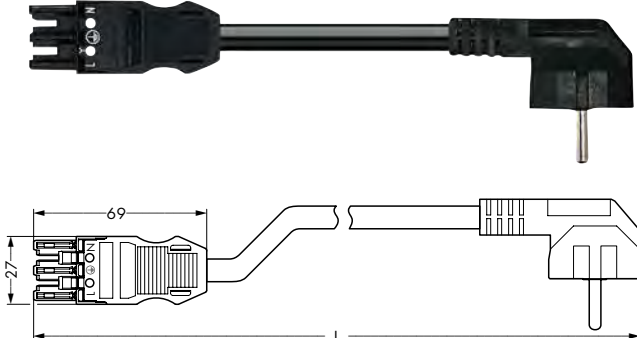
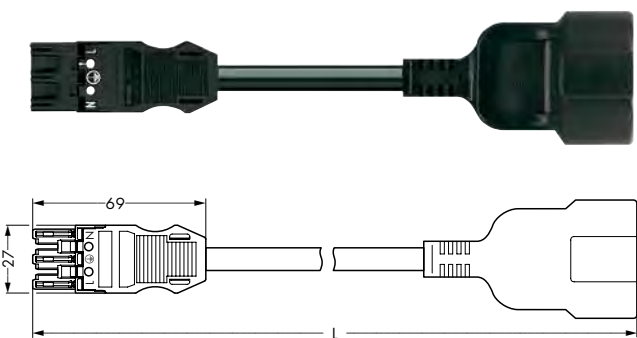


771 Series	
Y-Cable for DALI	199

	<p>PVC H03VVH2-F 2x0.75 I_N 4 A ② H05VV-F 3G1.0 I_N 10 A ③</p> <p>250 V/4 kV/3</p> <p>① Approvals</p>																								
<p>Plug – lamp socket E 27 ②</p>	<p>Length Item No. black</p>																								
	<p>● Coding A e.g., for temporary construction site lighting</p> <p>0.5 m 771-8993/1004-051</p> <p>For other lengths, please contact factory.</p>																								
<p>Interconnecting cable, plug – cold equipment coupling, angled ③</p>	<p>Length Item No. Item No. black white</p>																								
	<p>● ○ Coding A PVC</p> <table border="1"> <tr> <td>1 m</td> <td>771-9993/805-101</td> <td>771-9993/805-102</td> </tr> <tr> <td>2 m</td> <td>771-9993/805-201</td> <td>771-9993/805-202</td> </tr> <tr> <td>3 m</td> <td>771-9993/805-301</td> <td>771-9993/805-302</td> </tr> </table>	1 m	771-9993/805-101	771-9993/805-102	2 m	771-9993/805-201	771-9993/805-202	3 m	771-9993/805-301	771-9993/805-302															
1 m	771-9993/805-101	771-9993/805-102																							
2 m	771-9993/805-201	771-9993/805-202																							
3 m	771-9993/805-301	771-9993/805-302																							
<p>Info</p>	<p>Accessories</p>																								
<p>① For “International Certification Organizations” and “Approvals – User Guide”, see pages 300 to 303. Marine approvals (GL, LR, NV) relate exclusively to cables approved for marine applications. For other cables, please contact factory.</p> <p>● black Coding A (L ⊕ N) ○ white Coding A (L ⊕ N)</p> <p>For coding information, see pages 284 to 286. Fire load data available upon request.</p>	<p>Locking lever, for “flying leads”, manually operated</p> <table border="1"> <tr> <td></td> <td>black</td> <td>770-101</td> <td>100 (4x25)</td> </tr> <tr> <td></td> <td>white</td> <td>770-121</td> <td>100 (4x25)</td> </tr> </table> <p>Locking lever, for “flying leads”, tool operated</p> <table border="1"> <tr> <td></td> <td>black</td> <td>770-111</td> <td>100 (4x25)</td> </tr> <tr> <td></td> <td>white</td> <td>770-131</td> <td>100 (4x25)</td> </tr> </table> <p>Lockout cap, for plug, separable, 5-pole</p> <table border="1"> <tr> <td></td> <td>yellow</td> <td>770-360</td> <td>100</td> </tr> </table> <p>Coding pin, for plug (A and B coding)</p> <table border="1"> <tr> <td></td> <td>gray</td> <td>770-401</td> <td>100</td> </tr> </table>		black	770-101	100 (4x25)		white	770-121	100 (4x25)		black	770-111	100 (4x25)		white	770-131	100 (4x25)		yellow	770-360	100		gray	770-401	100
	black	770-101	100 (4x25)																						
	white	770-121	100 (4x25)																						
	black	770-111	100 (4x25)																						
	white	770-131	100 (4x25)																						
	yellow	770-360	100																						
	gray	770-401	100																						

WINSTA® MIDI

Cable assemblies 3 x 1.5 mm² / 3 x 2.5 mm²


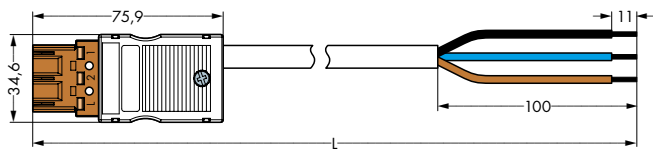
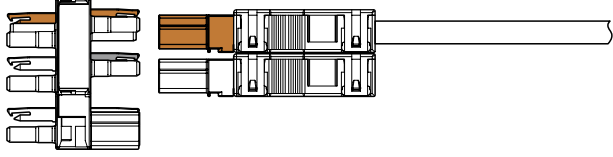
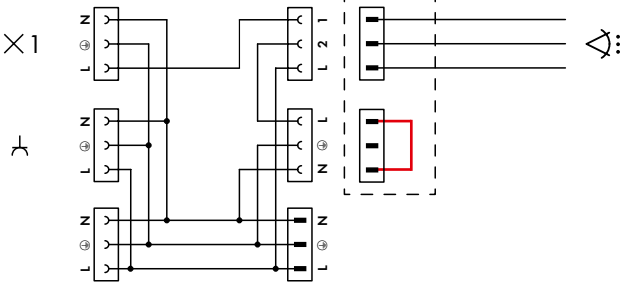
	<p>PVC</p> <p>H05VV-F 3x1.5 H05VV-F 3x2.5</p> <p>I_N 16 A I_N 20 A ④</p> <p>250 V/4 kV/3</p> <p>① Approvals</p>																					
<p>Connecting cable, socket - SCHUKO plug, angled</p> 	<p>Length Item No. black Item No. white</p> <p>● ○ Coding A PVC</p> <table border="1"> <tr> <td>1 m</td> <td>771-9993/306-101</td> <td>771-9993/306-102</td> </tr> <tr> <td>2 m</td> <td>771-9993/306-201</td> <td>771-9993/306-202</td> </tr> <tr> <td>3 m</td> <td>771-9993/306-301</td> <td>771-9993/306-302</td> </tr> </table>	1 m	771-9993/306-101	771-9993/306-102	2 m	771-9993/306-201	771-9993/306-202	3 m	771-9993/306-301	771-9993/306-302												
1 m	771-9993/306-101	771-9993/306-102																				
2 m	771-9993/306-201	771-9993/306-202																				
3 m	771-9993/306-301	771-9993/306-302																				
<p>Connecting cable, socket - SCHUKO plug, angled ④</p> 	<p>Length Item No. black Item No. white</p> <p>● ○ Coding A PVC</p> <table border="1"> <tr> <td>1 m</td> <td>771-9993/307-101</td> <td>771-9993/307-102</td> </tr> <tr> <td>2 m</td> <td>771-9993/307-201</td> <td>771-9993/307-202</td> </tr> <tr> <td>3 m</td> <td>771-9993/307-301</td> <td>771-9993/307-302</td> </tr> </table>	1 m	771-9993/307-101	771-9993/307-102	2 m	771-9993/307-201	771-9993/307-202	3 m	771-9993/307-301	771-9993/307-302												
1 m	771-9993/307-101	771-9993/307-102																				
2 m	771-9993/307-201	771-9993/307-202																				
3 m	771-9993/307-301	771-9993/307-302																				
<p>Connecting cable, plug - SCHUKO coupler</p> 	<p>● ○ Coding A PVC</p> <table border="1"> <tr> <td>1 m</td> <td>771-9993/406-101</td> <td>771-9993/406-102</td> </tr> <tr> <td>2 m</td> <td>771-9993/406-201</td> <td>771-9993/406-202</td> </tr> <tr> <td>3 m</td> <td>771-9993/406-301</td> <td>771-9993/406-302</td> </tr> </table>	1 m	771-9993/406-101	771-9993/406-102	2 m	771-9993/406-201	771-9993/406-202	3 m	771-9993/406-301	771-9993/406-302												
1 m	771-9993/406-101	771-9993/406-102																				
2 m	771-9993/406-201	771-9993/406-202																				
3 m	771-9993/406-301	771-9993/406-302																				
	<p>Accessories</p> <p>Locking lever, for "flying leads", manually operated</p> <table border="1"> <tr> <td>black</td> <td>770-101</td> <td>100 (4x25)</td> </tr> <tr> <td>white</td> <td>770-121</td> <td>100 (4x25)</td> </tr> </table> <p>Locking lever, for "flying leads", tool operated</p> <table border="1"> <tr> <td>black</td> <td>770-111</td> <td>100 (4x25)</td> </tr> <tr> <td>white</td> <td>770-131</td> <td>100 (4x25)</td> </tr> </table> <p>Lockout cap, for socket, separable, 12-pole</p> <table border="1"> <tr> <td>black</td> <td>770-201</td> <td>100</td> </tr> <tr> <td>white</td> <td>770-221</td> <td>100</td> </tr> </table> <p>Lockout cap, for plug, separable, 5-pole</p> <table border="1"> <tr> <td>yellow</td> <td>770-360</td> <td>100</td> </tr> </table>	black	770-101	100 (4x25)	white	770-121	100 (4x25)	black	770-111	100 (4x25)	white	770-131	100 (4x25)	black	770-201	100	white	770-221	100	yellow	770-360	100
black	770-101	100 (4x25)																				
white	770-121	100 (4x25)																				
black	770-111	100 (4x25)																				
white	770-131	100 (4x25)																				
black	770-201	100																				
white	770-221	100																				
yellow	770-360	100																				

WINSTA® MIDI

Cable Assemblies 3 x 1.5 mm², Suitable for 770-637 Distribution Connectors

PVC	H05VV-F 3x1.5
halogen-free	H05Z1Z1-F 3x1.5
250 V/4 kV/3	I _N 16 A
Conductor ends, bonded: 11 mm	
📌 Approvals	

Connecting cable, socket – plug

Info

📌 For “International Certification Organizations” and “Approvals – User Guide”, see pages 300 to 303.
 Marine approvals (GL, LR, NV) relate exclusively to cables approved for marine applications.
 For other cables, please contact factory.





● black Coding A (L ⊕ N)
 ● brown Coding S (L 2 1)

For coding information, see pages 284 to 286.
 Fire load data available upon request.

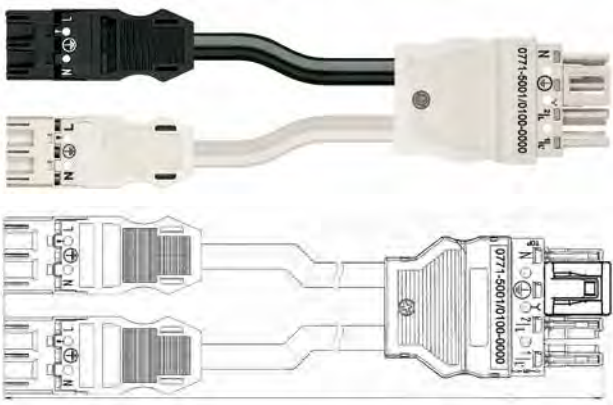
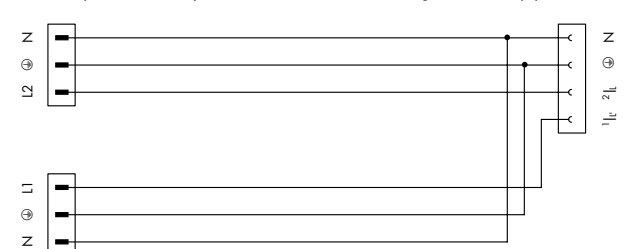
Length	Item No.	Item No.
● Coding S		
● Coding A		
PVC		halogen-free
3 m	771-5001/106-000	771-5001/131-000
4 m	771-5001/107-000	771-5001/132-000

This cable combines a standard S-coded cable with an A-coded shorting plug. Both strain relief housings are locked together.
 A motion detector or switch with signal lamp can be directly connected using a cable equipped with 770-637 distribution connector.

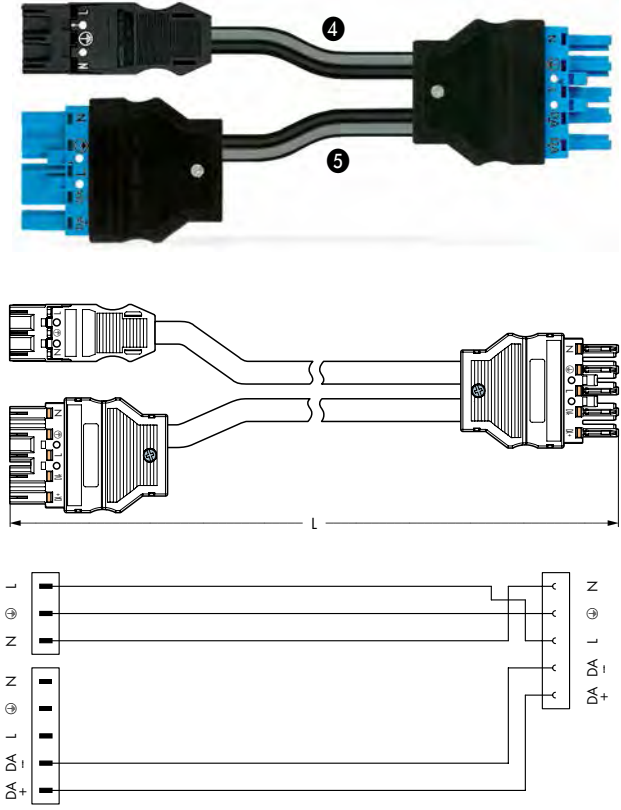
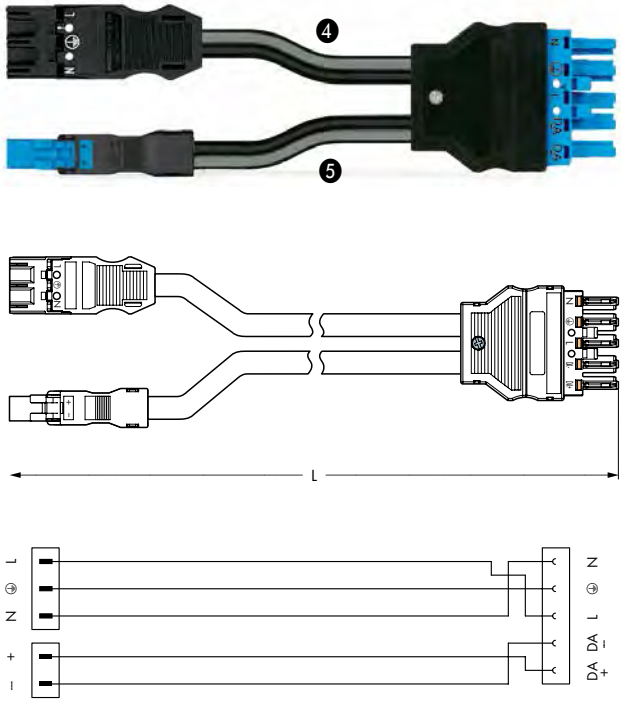
Accessories

	manually operated		
	black	770-101	100 (4x25)
	white	770-121	100 (4x25)
	tool operated		
	black	770-111	100 (4x25)
	white	770-131	100 (4x25)
	Lockout cap, for socket, separable, 12-pole		
	black	770-201	100
	white	770-221	100
	Lockout cap, for plug, separable, 5-pole		
	yellow	770-360	100

WINSTA® MIDI Cable Assemblies 3 x 1.5 mm²

	<p>PVC H05VV-F 3x1.5 I_N 16 A</p> <p>250 V/4 kV/3</p> <p>① Approvals</p>																		
<p>Y-cable, 1 x 4-pole, 2 x 3-pole</p>  <p>Black plug: Continuous phase for battery</p> <p>White plug: Light with backup power function</p>  <p>White plug: Switched phase for the light ("on/off")</p>	<p>Length Item No. Item No.</p> <p>● ○ Coding A</p> <p>PVC halogen-free</p> <p>0.6 m 771-5001/100-000 771-5001/110-000</p> <p>This cable connects lights with backup power function (AkkuPack). The black 3-pole plug connects the continuous phase for the battery, while the white 3-pole plug connects the switched phase for the light ("on/off"). The white 4-pole socket can be directly plugged into the light.</p>																		
	<p>Accessories</p> <p>Locking lever, for "flying leads", manually operated</p> <table border="1"> <tr> <td>black</td> <td>770-101</td> <td>100 (4x25)</td> </tr> <tr> <td>white</td> <td>770-121</td> <td>100 (4x25)</td> </tr> </table> <p>Locking lever, for "flying leads", tool operated</p> <table border="1"> <tr> <td>black</td> <td>770-111</td> <td>100 (4x25)</td> </tr> <tr> <td>white</td> <td>770-131</td> <td>100 (4x25)</td> </tr> </table> <p>Lockout cap, for plug, separable, 5-pole</p> <table border="1"> <tr> <td>yellow</td> <td>770-360</td> <td>100</td> </tr> </table> <p>Coding pin, for plug (A and B coding)</p> <table border="1"> <tr> <td>gray</td> <td>770-401</td> <td>100</td> </tr> </table>	black	770-101	100 (4x25)	white	770-121	100 (4x25)	black	770-111	100 (4x25)	white	770-131	100 (4x25)	yellow	770-360	100	gray	770-401	100
black	770-101	100 (4x25)																	
white	770-121	100 (4x25)																	
black	770-111	100 (4x25)																	
white	770-131	100 (4x25)																	
yellow	770-360	100																	
gray	770-401	100																	

WINSTA® MIDI
Cable assemblies 2 x 1.5 mm² / 3 x 2.5 mm²

	<p>PVC H05VV-F 3G2.5 ④ H05VV-F 2x1.5 ⑤ halogen-free H05Z1Z1-F 3G2.5 ④ H05Z1Z1-F 2x1.5 ⑤</p> <p>250 V/4 kV/3 I_N 16 A</p> <p>① Approvals</p>
<p>Y-cable, DALI mains center supply</p>	<p>Length Item No. black</p> <p>Item No. black</p>
	<p>● ● Coding A + I</p> <p>PVC halogen-free</p> <p>0.5 m 771-5001/180-000 771-5001/181-000</p>
<p>Y-cable, mains supply + DALI</p>	<p>Length Item No. black</p> <p>Item No. black</p>
	<p>● ● Coding A + I</p> <p>PVC halogen-free</p> <p>0.5 m 771-5001/182-000 771-5001/183-000</p>



- Note:**
- Installation connectors are designed for connection and disconnection while not under load.
 - There is no hazard-inducing interchangeability with systems based on IEC 60309, IEC 60320, IEC 60906 and with national connector and socket systems.
 - Compliance with the standards (IEC 61535) does not guarantee hazard-preventing, non-interchangeability with installation connector systems from various manufacturers.
 - Installation connector systems are not a substitute for residential connector/socket systems.

 - WINSTA® MAXI connectors are not intended for installation in open or easily accessible areas.

6

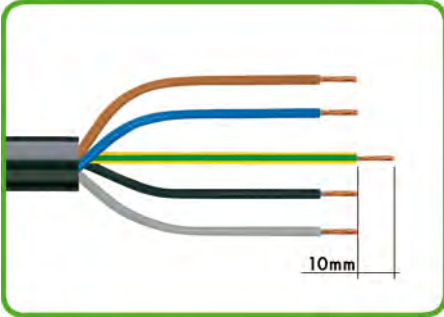


831 Series
Sockets, 5-Pole
Plugs, 5-Pole

203
203

WINSTA® MAXI, 831 Series Handling:

Preparation



The following lengths are recommended:

- 1. Strip length, outer insulation = 80 mm
- 2. Strip length: = 13 mm
- 3. Extended ground conductor = 10 mm



To terminate fine-stranded conductors, open clamping unit via 5.5 mm screwdriver and insert stripped conductor until it hits backstop.

Marking



The printed marking of the connector is clearly visible in the openings of the strain relief housing.

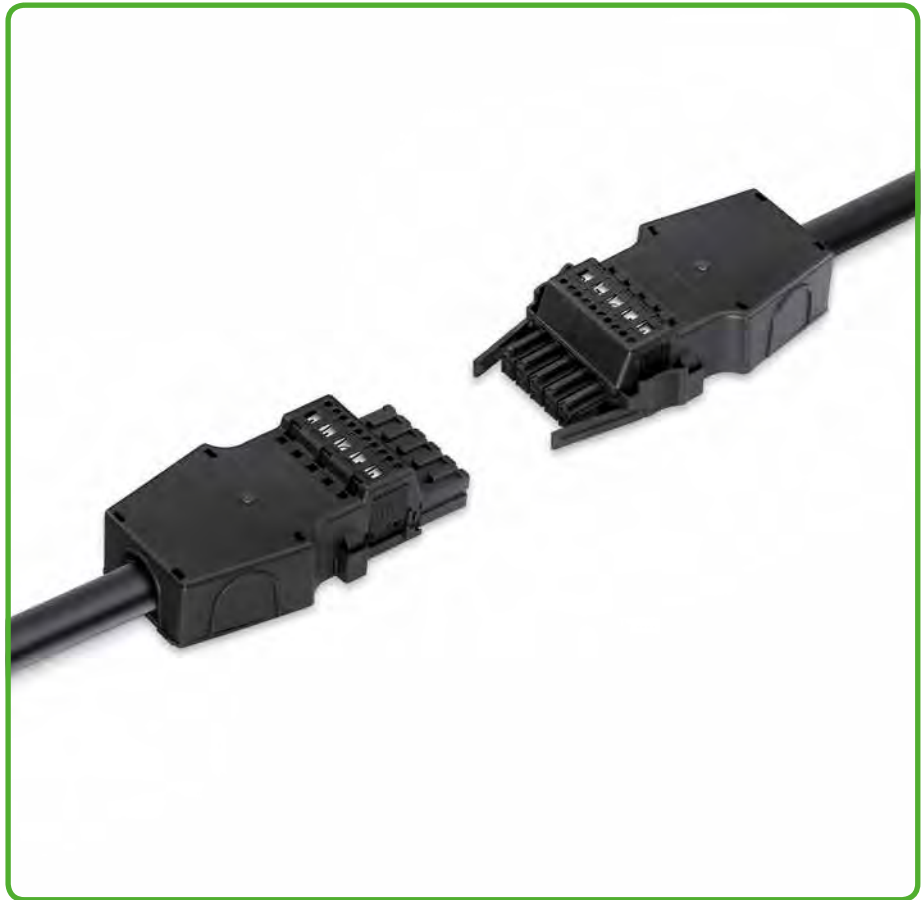
Strain relief installation



Unscrew base of strain relief housing.



Latch wired connector onto the base of the strain relief housing.



Strain relief installation



Tighten strain relief with screwdriver.



Wired connector fitted in base of strain relief housing.



Latch the top of the strain relief housing.



WINSTA® RD

774 Series, up to 2.5 mm² /20 A

- Note:**
- Installation connectors are designed for connection and disconnection while not under load.
 - There is no hazard-inducing interchangeability with systems based on IEC 60309, IEC 60320, IEC 60906 and with national connector and socket systems.
 - Compliance with the standards (IEC 61535) does not guarantee hazard-preventing, non-interchangeability with installation connector systems from various manufacturers.
 - Installation connector systems are not a substitute for residential connector/socket systems.
 - WINSTA® RD connectors are not intended for installation in open or easily accessible areas.



774 Series
Cable Assemblies 3 x 1.5 mm²
Cable Assemblies 3 x 2.5 mm²

206 - 208
208 - 209



774 Series
Cable Assemblies 4 x 1.5 mm²

210



774 Series
Plug Adapters for Attema's Hollow-Wall Boxes

211

		PVC	H05VV-F 3x1.5	
		halogen-free	H05Z1Z1-F 3x1.5	
		250 V/4 kV/3 I _N 16 A		
		Conductor ends, bonded: 9 mm		
		① Approvals		
Interconnecting cable, socket with LL ② – plug		Length	Item No.	
		● Coding S		
		PVC	halogen-free	
		1 m	774-9973/006-105	774-9973/016-105
		2 m	774-9973/006-205	774-9973/016-205
		3 m	774-9973/006-305	774-9973/016-305
		4 m	774-9973/006-405	774-9973/016-405
		5 m	774-9973/006-505	774-9973/016-505
		6 m	774-9973/006-605	774-9973/016-605
		7 m	774-9973/006-705	774-9973/016-705
		8 m	774-9973/006-805	774-9973/016-805
Connecting cable, socket with LL ② – free end		Length	Item No.	
		● Coding S		
		PVC	halogen-free	
		1 m	774-9973/106-105	774-9973/116-105
		2 m	774-9973/106-205	774-9973/116-205
		3 m	774-9973/106-305	774-9973/116-305
		4 m	774-9973/106-405	774-9973/116-405
		5 m	774-9973/106-505	774-9973/116-505
		6 m	774-9973/106-605	774-9973/116-605
		7 m	774-9973/106-705	774-9973/116-705
		8 m	774-9973/106-805	774-9973/116-805
Connecting cable, plug – free end		Length	Item No.	
		● Coding S		
		PVC	halogen-free	
		1 m	774-9973/206-105	774-9973/216-105
		2 m	774-9973/206-205	774-9973/216-205
		3 m	774-9973/206-305	774-9973/216-305
		4 m	774-9973/206-405	774-9973/216-405
		5 m	774-9973/206-505	774-9973/216-505
		6 m	774-9973/206-605	774-9973/216-605
		7 m	774-9973/206-705	774-9973/216-705
		8 m	774-9973/206-805	774-9973/216-805

WINSTA® RD
Cable Assemblies 3 x 2.5 mm²

	PVC	H05VV-F 3G2.5			
	halogen-free	H05Z1Z1-F 3G2.5			
	250 V/4 kV/3 I _N 20 A				
	Conductor ends, bonded: 9 mm				
	① Approvals				
Interconnecting cable, socket with LL ② - plug	Length	Item No. black	Item No. white	Item No. black	Item No. white
	● ○ Coding A		halogen-free		
	PVC				
	1 m	774-9993/007-101	774-9993/007-102	774-9993/017-101	774-9993/017-102
	2 m	774-9993/007-201	774-9993/007-202	774-9993/017-201	774-9993/017-202
	3 m	774-9993/007-301	774-9993/007-302	774-9993/017-301	774-9993/017-302
	4 m	774-9993/007-401	774-9993/007-402	774-9993/017-401	774-9993/017-402
	5 m	774-9993/007-501	774-9993/007-502	774-9993/017-501	774-9993/017-502
	6 m	774-9993/007-601	774-9993/007-602	774-9993/017-601	774-9993/017-602
	7 m	774-9993/007-701	774-9993/007-702	774-9993/017-701	774-9993/017-702
	8 m	774-9993/007-801	774-9993/007-802	774-9993/017-801	774-9993/017-802
Connecting cable, socket with LL ② - free end	Length	Item No. black	Item No. white	Item No. black	Item No. white
	● ○ Coding A		halogen-free		
	PVC				
	1 m	774-9993/107-101	774-9993/107-102	774-9993/117-101	774-9993/117-102
	2 m	774-9993/107-201	774-9993/107-202	774-9993/117-201	774-9993/117-202
	3 m	774-9993/107-301	774-9993/107-302	774-9993/117-301	774-9993/117-302
	4 m	774-9993/107-401	774-9993/107-402	774-9993/117-401	774-9993/117-402
	5 m	774-9993/107-501	774-9993/107-502	774-9993/117-501	774-9993/117-502
	6 m	774-9993/107-601	774-9993/107-602	774-9993/117-601	774-9993/117-602
	7 m	774-9993/107-701	774-9993/107-702	774-9993/117-701	774-9993/117-702
	8 m	774-9993/107-801	774-9993/107-802	774-9993/117-801	774-9993/117-802
Connecting cable, plug - free end	Length	Item No. black	Item No. white	Item No. black	Item No. white
	● ○ Coding A		halogen-free		
	PVC				
	1 m	774-9993/207-101	774-9993/207-102	774-9993/217-101	774-9993/217-102
	2 m	774-9993/207-201	774-9993/207-202	774-9993/217-201	774-9993/217-202
	3 m	774-9993/207-301	774-9993/207-302	774-9993/217-301	774-9993/217-302
	4 m	774-9993/207-401	774-9993/207-402	774-9993/217-401	774-9993/217-402
	5 m	774-9993/207-501	774-9993/207-502	774-9993/217-501	774-9993/217-502
	6 m	774-9993/207-601	774-9993/207-602	774-9993/217-601	774-9993/217-602
	7 m	774-9993/207-701	774-9993/207-702	774-9993/217-701	774-9993/217-702
	8 m	774-9993/207-801	774-9993/207-802	774-9993/217-801	774-9993/217-802

WINSTA® RD

Cable Assemblies 4 x 1.5 mm²

		PVC	H05VV-F 4G1.5			
		halogen-free	H05Z1Z1-F 4G1.5			
		250 V/4 kV/3	I _N 16 A			
		Conductor ends, bonded: 9 mm				
		① Approvals				
Interconnecting cable, socket with LL ② - plug		Length	Item No. black	Item No. white	Item No. black	Item No. white
		● ○ Coding A				
		PVC		halogen-free		
		1 m	774-9994/006-101	774-9994/006-102	774-9994/016-101	774-9994/016-102
		2 m	774-9994/006-201	774-9994/006-202	774-9994/016-201	774-9994/016-202
		3 m	774-9994/006-301	774-9994/006-302	774-9994/016-301	774-9994/016-302
		4 m	774-9994/006-401	774-9994/006-402	774-9994/016-401	774-9994/016-402
		5 m	774-9994/006-501	774-9994/006-502	774-9994/016-501	774-9994/016-502
		6 m	774-9994/006-601	774-9994/006-602	774-9994/016-601	774-9994/016-602
		7 m	774-9994/006-701	774-9994/006-702	774-9994/016-701	774-9994/016-702
		8 m	774-9994/006-801	774-9994/006-802	774-9994/016-801	774-9994/016-802
Connecting cable, socket with LL ② - free end		Length	Item No. black	Item No. white	Item No. black	Item No. white
		● ○ Coding A				
		PVC		halogen-free		
		1 m	774-9994/106-101	774-9994/106-102	774-9994/116-101	774-9994/116-102
		2 m	774-9994/106-201	774-9994/106-202	774-9994/116-201	774-9994/116-202
		3 m	774-9994/106-301	774-9994/106-302	774-9994/116-301	774-9994/116-302
		4 m	774-9994/106-401	774-9994/106-402	774-9994/116-401	774-9994/116-402
		5 m	774-9994/106-501	774-9994/106-502	774-9994/116-501	774-9994/116-502
		6 m	774-9994/106-601	774-9994/106-602	774-9994/116-601	774-9994/116-602
		7 m	774-9994/106-701	774-9994/106-702	774-9994/116-701	774-9994/116-702
		8 m	774-9994/106-801	774-9994/106-802	774-9994/116-801	774-9994/116-802
Connecting cable, plug - free end		Length	Item No. black	Item No. white	Item No. black	Item No. white
		● ○ Coding A				
		PVC		halogen-free		
		1 m	774-9994/206-101	774-9994/206-102	774-9994/216-101	774-9994/216-102
		2 m	774-9994/206-201	774-9994/206-202	774-9994/216-201	774-9994/216-202
		3 m	774-9994/206-301	774-9994/206-302	774-9994/216-301	774-9994/216-302
		4 m	774-9994/206-401	774-9994/206-402	774-9994/216-401	774-9994/216-402
		5 m	774-9994/206-501	774-9994/206-502	774-9994/216-501	774-9994/216-502
		6 m	774-9994/206-601	774-9994/206-602	774-9994/216-601	774-9994/216-602
		7 m	774-9994/206-701	774-9994/206-702	774-9994/216-701	774-9994/216-702
		8 m	774-9994/206-801	774-9994/206-802	774-9994/216-801	774-9994/216-802
Info						
<p>① For "International Certification Organizations" and "Approvals – User Guide", see pages 300 to 303.</p> <p>② LL = Locking lever</p> <p>For other cables, please contact factory.</p> <p>● black Coding A (N ⊕ 2 1) ○ white Coding A (N ⊕ 2 1)</p> <p>For coding information, see pages 284 to 286. Fire load data available upon request.</p>						





- Notice:**
- Installation connectors are designed for connection and disconnection while not under load.
 - There is no hazard-inducing interchangeability with systems based on IEC 60309, IEC 60320, IEC 60906 and with national connector and socket systems.
 - Compliance with the standards (IEC 61535) does not guarantee hazard-preventing, non-interchangeability with installation connector systems from various manufacturers.
 - Installation connector systems are not a substitute for residential connector/socket systems.

 - WINSTA® KNX connectors are not intended for installation in open or easily accessible areas.



893 Series
Connectors, 2-Pole

215



893 Series
Snap-In Device Connectors, 2-Pole

216



893 Series
T-Distribution Connectors

217

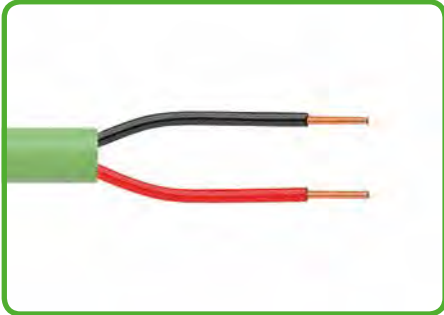


894 Series
Cable Assemblies, 2 x 0.8 mm Ø

218 - 219

WINSTA® KNX, 893 Series Handling:

Preparation

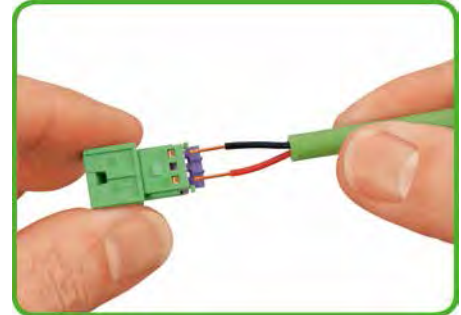


1. Strip length, outer insulation: = 23 mm
2. Strip length = 9 mm

Conductor termination

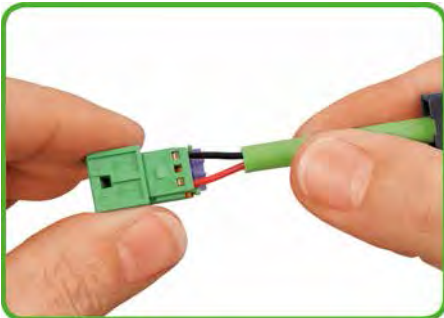


Prior to termination, pull the strain relief housing over the cable.



Insert stripped conductor directly into the conductor entry.

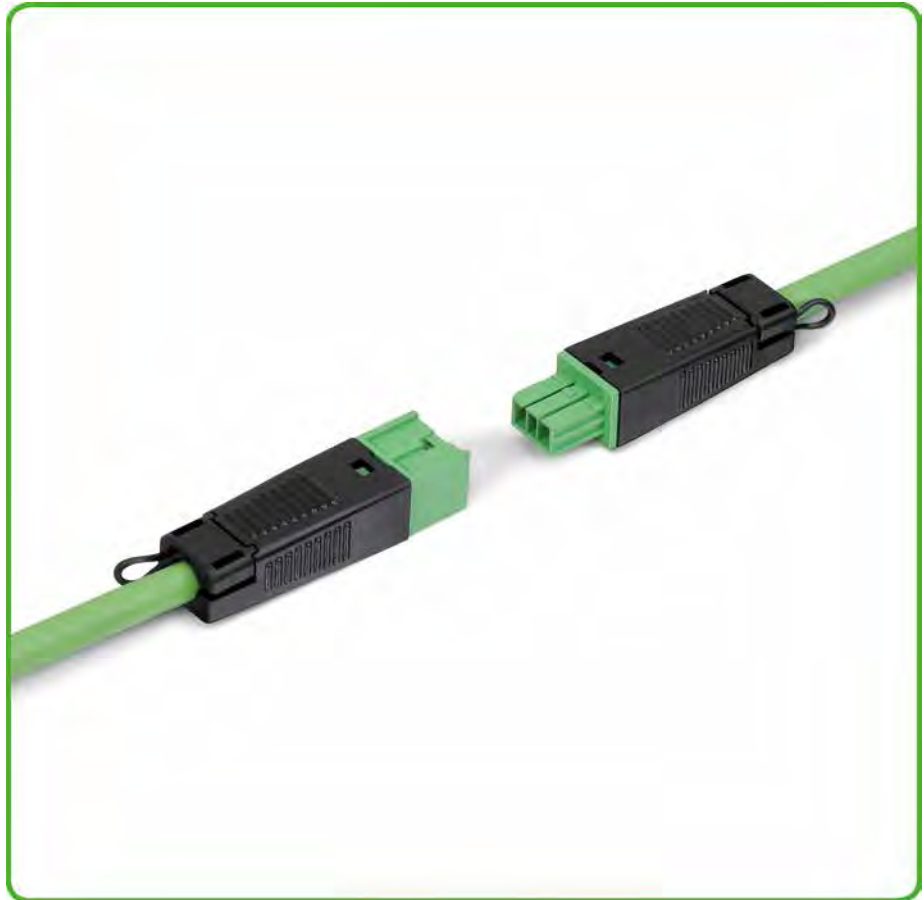
Conductor termination



Push conductors until they hit backstop.



To disconnect, open clamping unit using the actuator and pull out the conductor.



Strain relief assembly



Snap wired connector into strain relief housing.



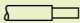
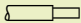
Press strain relief firmly on the cable.

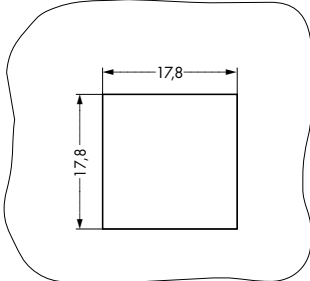


Pre-assembled KNX connector

WINSTA® KNX Snap-In Sockets and Plugs, 2-Pole

PUSH WIRE®

Cutout dimensions Plate thickness: 0.5–2 mm Cutout tolerance: + 0.1 mm	0.8 mm Ø 50 V/0.8 kV/3 I _N 3 A  9 mm / 0.35 in. 1 Approvals	0.8 mm Ø 50 V/0.8 kV/3 I _N 3 A  9 mm / 0.35 in. 1 Approvals
--	---	---

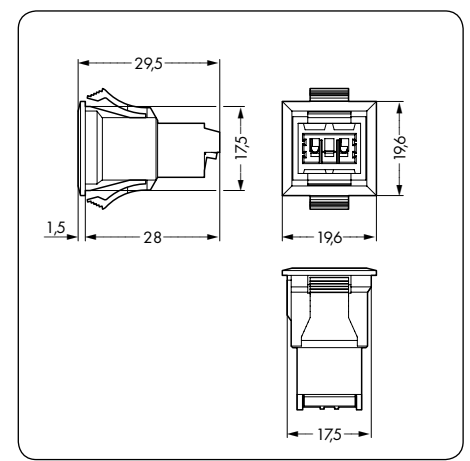
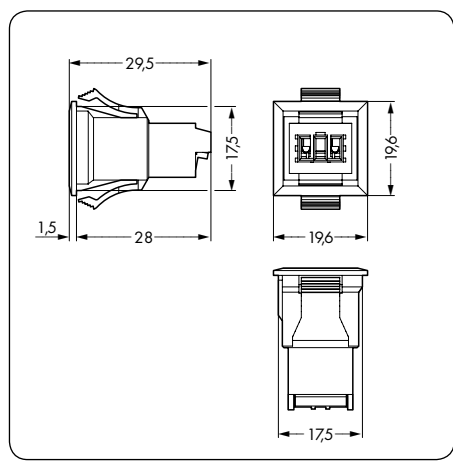


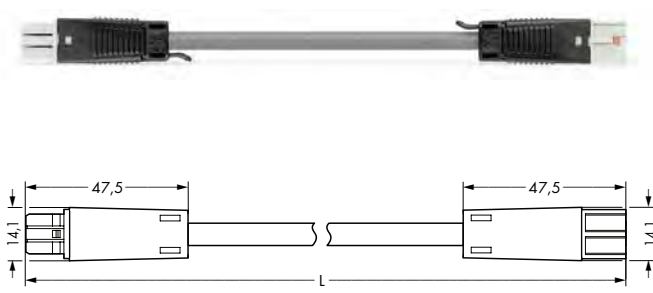
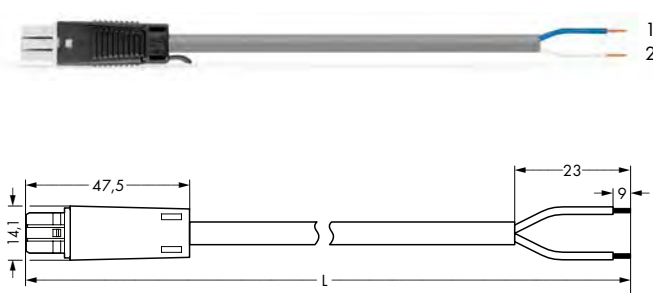
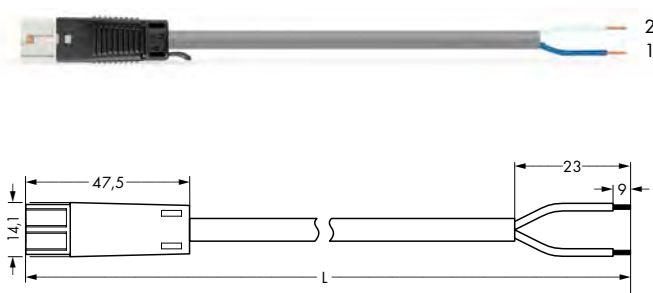
Description	Color	Item No.	Pack. Unit	Color	Item No.	Pack. Unit
Snap-in connectors, 2-pole, with spring clamp connection, T-distribution connectors	Socket, for KNX applications			Plug, for KNX applications		
	● green	893-2002	50	● green	893-2012	50
	With special coding:			With special coding:		
	○ light gray	893-2022	50	○ light gray	893-2032	50
Info	Dimensions					

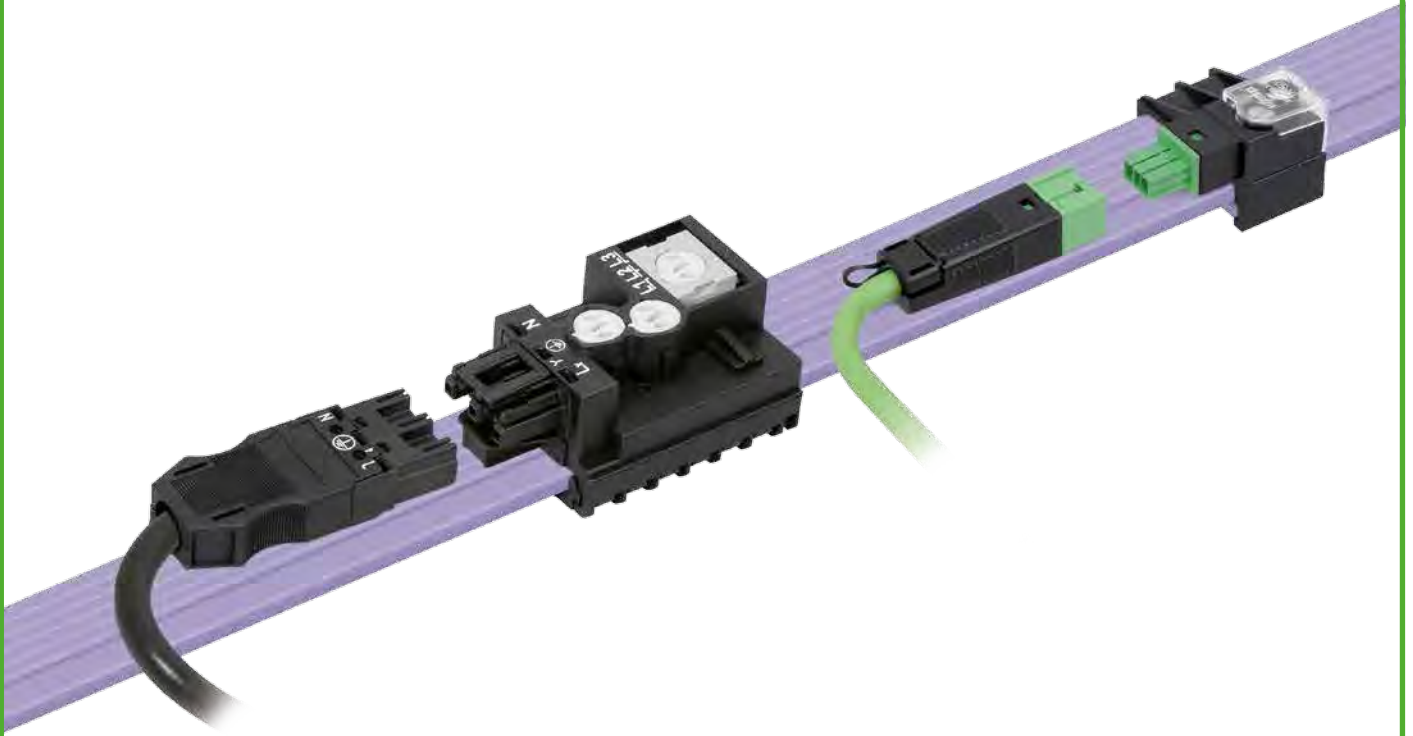
1 For "International Certification Organizations" and "Approvals – User Guide", see pages 300 to 303.

● green Coding E (1+ 2-)
○ light gray Coding F (1+ 2-)

For coding information, see pages 284 to 286.
Fire load data available upon request.



	<p>PVC J-Y(ST)Y...LG 1x2x0.8</p> <p>50 V/0.8 kV/3 I_N 3 A</p> <p>① Approvals</p>
<p>Interconnecting cable, socket - plug</p>	<p>Length Item No.</p>
	<p>○ Coding F, ② for standard fieldbus applications halogen-free</p> <p>1 m 894-8992/023-107</p> <p>3 m 894-8992/023-307</p> <p>5 m 894-8992/023-507</p>
<p>Connecting cable, socket - free end</p>	<p>Length Item No.</p>
	<p>○ Coding F, ② for standard fieldbus applications halogen-free</p> <p>1 m 894-8992/123-107</p> <p>3 m 894-8992/133-307</p> <p>5 m 894-8992/123-507</p>
<p>Connecting cable, plug - free end</p>	<p>Length Item No.</p>
	<p>○ Coding F, ② for standard fieldbus applications halogen-free</p> <p>1 m 894-8992/223-107</p> <p>3 m 894-8992/223-307</p> <p>5 m 894-8992/223-507</p>



Important note:

The WINSTA® IDC system consists of the flat cables and the appropriate WINSTA® connection components that are described in this catalog and marked with "WAGO". WAGO warrants the fault-free function of the WINSTA® IDC system only where original WINSTA® components are utilized.

NOTICE:

Only use identically coded supply and tap-off modules on the same cable!

- Coding A and P (N ⊕ L1 L2 L3) are designed for a 400 V three-phase current cable configuration.
- Coding I (N ⊕ L DA- DA+) is designed for up to 230 V and dimming cable configurations.
- Coding B (N ⊕ L1 L2 L3) is designed for custom cable configurations. Only modules with the same pole marking shall be used within an application.



- Notice:**
- Installation connectors are designed for connection and disconnection while not under load.
 - There is no hazard-inducing interchangeability with systems based on IEC 60309, IEC 60320, IEC 60906 and with national connector and socket systems.
 - Compliance with the standards (IEC 61535) does not guarantee hazard-preventing, non-interchangeability with installation connector systems from various manufacturers.
 - Installation connector systems are not a substitute for residential connector/socket systems.
 - WINSTA® IDC connectors are not intended for installation in open or easily accessible areas.



772 Series
IDC Modules for Flat Cables
5 x 2.5 mm² / 5 x 4 mm² / 5 x 2.5 mm² + 2 x 1.5 mm²
- Supply Modules
- Tap-Off Modules, for WINSTA® MIDI Connectors

224
225



893 Series
IDC Modules for Flat Cables
5 x 2.5 mm² + 2 x 1.5 mm² / 2 x 1.5 mm²
- Supply Module (KNX and Special Coding)
- Tap-Off Modules (KNX and Special Coding)

228, 232
229, 233



896 Series
IDC Modules for Flat Cable 3 x 2.5 mm²
- Supply and Tap-Off Modules

236, 237



895 Series
POWERBLOCK 10 for Flat Cable 5 x 10 mm²
- Supply and Tap-Off Modules

238



895 Series
POWERBLOCK 16 for Flat Cable 5 x 16 mm²
- Supply and Tap-Off Modules

240



897 Series
Flat Cable 2 x 1.5 mm²
Flat cable 3 x 2.5 mm²
Flat Cable 5 x 2.5 mm²
Flat Cable 5 x 4 mm²
Flat Cable 5 x 10 mm²
Flat cable 5 x 16 mm²
Flat Cable 5 x 2.5 mm² + 5 x 1.5 mm²

234
237
226
227
239
241
227, 230

WINSTA® IDC, 772 Series Handling:

Module positioning and contacting



Insert flat cable into base (observe coding!).

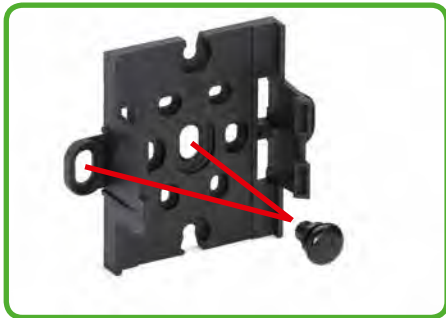


Mount IDC module flush with the base. Should the IDC module jam during mounting, turn the upper part by 180° and remount it.



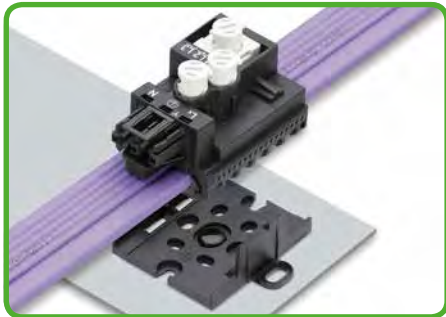
Screw down contact elements until element stops.

Mounting plate installation



The mounting plate can be centrally mounted, or attached via outboard attachment points using 770-601 Fixing Pins.

Snapping on distribution connector



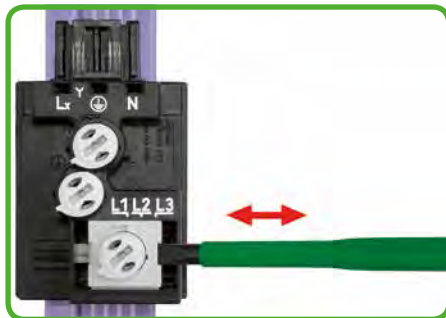
The distribution connectors snap together when attached to the mounting plate.



Phase selection



The phase selector is in position L2 (center) when delivered.



Move the phase selector into position L1 or L3 if required.



After connecting the flat cable, the IDC module is locked and can no longer be moved, even after unscrewing the contact element.



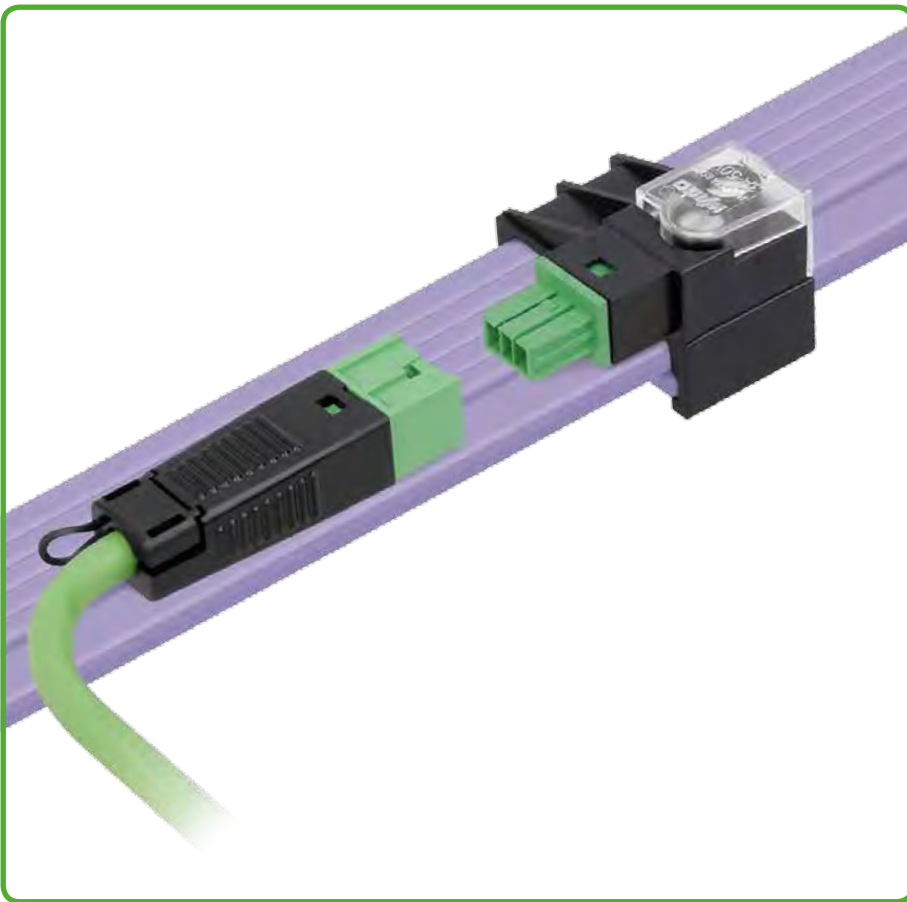
Connecting an installation cable to the supply module. Stripped, solid conductors are simply pushed into unit. Open clamp via screwdriver to insert stripped, fine-stranded conductors.



Secure supply cable via strain relief housing.



Tighten strain relief screw using a screwdriver.



Contact is made with the flat cable by tightening the screws. Observe 1 Nm of tightening torque!



Snapping on transparent protective cover.



NOTICE: Should it be necessary to tap another phase, this must be done in a different location. To do so, the contact elements must be unscrewed and brought back to their original position.



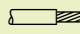
Lift contact element to unlock phase selector and select the new phase. NOTICE: Do not reuse in the same location of the flat cable.

Insulating tape



After removing the module, the contact holes in the flat cable must be sealed using insulating tape.

WINSTA® IDC Supply Modules with Strain Relief Housing, 5-Pole ① 772 Series

	<p>2 x 0.5–4 mm² ② 400 V/6 kV/3 I_N 25 A</p> <p> 9 mm / 0.35 in.</p> <p>③ Approvals</p>	<p>2 x 20–12 AWG</p>
--	---	----------------------




① NOTICE:

Only use identically coded supply and tap-off modules on the same cable!

- Coding A and P (N ⊕ L1 L2 L3) are designed for a 400 V three-phase current cable configuration.
- Coding I (N ⊕ L DA- DA+) is designed for up to 230 V and dimming cable configurations.
- Coding B (N ⊕ L1 L2 L3) is designed for custom cable configurations. Only modules with the same pole marking shall be used within an application.

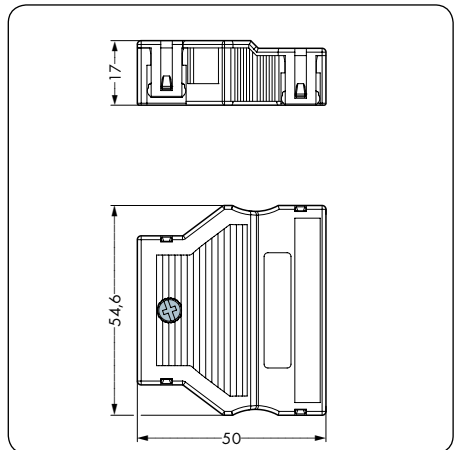
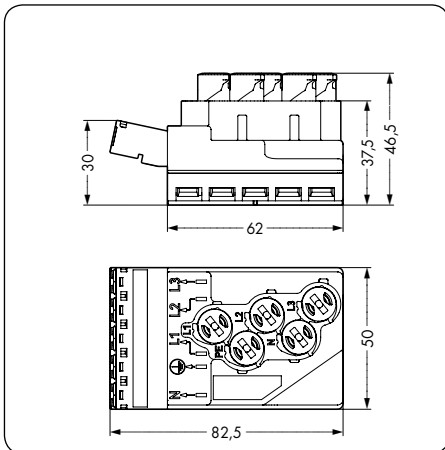


Description	Color	Item No.	Pack. Unit
Supply module, 5-pole		Supply module with strain relief housing ④,	
Tap-off module with phase selection, 3-pole		9-13 mm cable diameter	
Tap-off module, 5-pole			
	black	772-261	10
	gray ⑥	772-264/060-000	10
	red	772-267	10
	blue	772-271	10
		For suitable flat cables, see pages 226 and 227	

Item-Specific Accessories			
		Mounting plate, for supply and tap-off modules	
		black	772-260 10
		Fixing pin, for mounting plates	
		⑤ black	770-601 250
		Operating tool, with insulated shaft, (6.5 x 1.2) mm blade	
		green	210-636 1

Info	Dimensions
------	------------

- ② Conductor sizes: 0.5–4 mm² "s + f-st"
0.5–2.5 mm² "stranded"
 - ③ For "International Certification Organizations" and "Approvals – User Guide", see pages 300 to 303.
 - ④ Strain relief housings for larger cable diameters, see pages 136 and 137.
 - ⑤ 6.0 mm Ø, 1–2.5 mm plate thickness
 - ⑥ Full rated current can only be applied to a maximum of 3 poles!
- Processing temperature: +5 °C to +40 °C
- black Coding A (N ⊕ L1 L2 L3)
 - gray Coding B (N ⊕ L1 L2 L3)
 - blue Coding I (N ⊕ L DA- DA+)
 - red Coding P (N ⊕ L1 L2 L3)
- For coding information, see pages 284 to 286.
Fire load data available upon request.











WINSTA® IDC Tap-Off Modules, 3- and 5-Pole ① 772 Series

<p>400 V/6 kV/3 250 V/4 kV/3 I_N 25 A</p> <p>③ Approvals</p>	<p>400 V/6 kV/3 I_N 25 A</p> <p>③ Approvals</p>
---	--

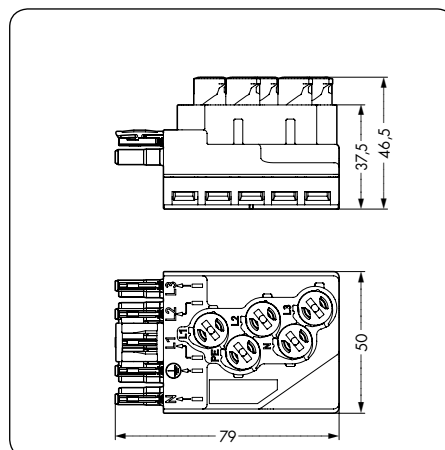
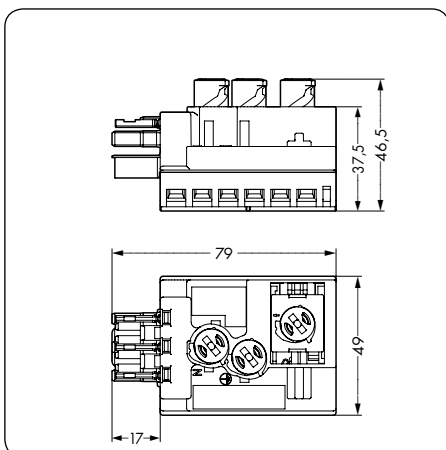


Color	Item No.	Pack. Unit	Color	Item No.	Pack. Unit
Tap-off module with phase selection, 3-pole, for WINSTA® MIDI plug-in and distribution connectors, supply position L2			Tap-off module, 5-pole, for WINSTA® MIDI plug-in and distribution connectors		
● black	772-263	10	● black	772-262	10
● gray	772-266/060-000	10	● gray ⑥	772-265/060-000	10
● red	772-269	10	● red	772-268	10
			● blue	772-272	10
For suitable flat cables, see pages 226 and 227			For suitable flat cables, see pages 226 and 227		

Item-Specific Accessories

<p>Mounting plate, for supply and tap-off modules</p>  <p>black 772-260 10</p>	<p>Mounting plate, for supply and tap-off modules</p>  <p>black 772-260 10</p>
<p>Fixing pin, for mounting plates</p>  <p>⑤ black 770-601 250</p>	<p>Fixing pin, for mounting plates</p>  <p>⑤ black 770-601 250</p>
<p>Lockout cap, for socket, separable, 12-pole</p>  <p>black 770-201 100 white 770-221 100</p>	<p>Lockout cap, for socket, separable, 12-pole</p>  <p>black 770-201 100 white 770-221 100</p>
<p>Operating tool, with insulated shaft, (6.5 x 1.2) mm blade</p>  <p>green 210-636 1</p>	<p>Operating tool, with insulated shaft, (6.5 x 1.2) mm blade</p>  <p>green 210-636 1</p>

Dimensions



WINSTA® IDC









Flat Cables 5 x 2.5 mm²

897 Series

	<p>Flat cable 5 x 2.5 mm² 3L + N + PE halogen-free 0.6/1kV</p> <p>① Approvals</p>	<p>Flat cable 5 x 2.5 mm² 3L + N + PE PVC 0.6/1kV</p> <p>① Approvals</p>
--	--	---

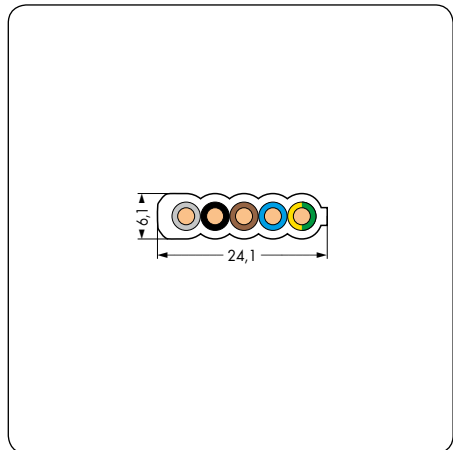
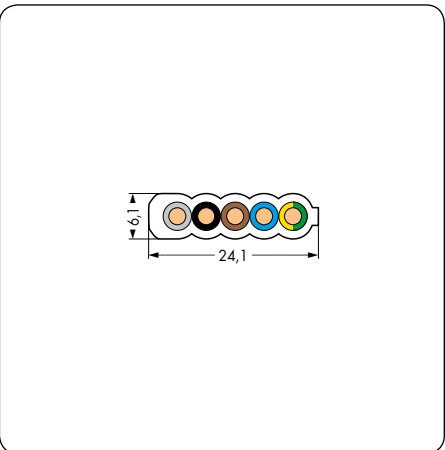


Description	Color	Item No.	Color	Item No.
Flat cables, halogen-free or PVC, 5- and 7-pole	Flat cable 5 x 2.5 mm ² , halogen-free		Flat cable 5 x 2.5 mm ² , PVC	
	gray	897-252	light green	897-251

Item-Specific Accessories				
	<p>Flat cable end cover, plastic. Every cable end must be fitted with an end cover.</p> <p> transparent 897-250 10</p>	<p>Flat cable end cover, plastic. Every cable end must be fitted with an end cover.</p> <p> transparent 897-250 10</p>		
	<p>Insulating tape for flat cables, for sealing contact holes in flat cables.</p> <p> black 897-900 10</p>	<p>Insulating tape for flat cables, for sealing contact holes in flat cables.</p> <p> black 897-900 10</p>		
	<p>Fixing clamp, plastic, for screw mounting</p> <p> gray 897-878 100</p>	<p>Fixing clamp, plastic, for screw mounting</p> <p> gray 897-878 100</p>		
	<p>Stripping pliers</p> <p> 897-971 1</p> <p>Cutter 897-972 1</p>	<p>Stripping pliers</p> <p> 897-971 1</p> <p>Cutter 897-972 1</p>		
Info	Dimensions			

① For "International Certification Organizations" and "Approvals – User Guide", see pages 300 to 303.

Fire load data available upon request.



WINSTA® IDC













Flat Cables 5 x 4 mm² and 5 x 2.5 mm² + 2 x 1.5 mm² 897 Series

Flat cable 5 x 4 mm ² 3L + N + PE halogen-free 0.6/1kV 1 Approvals	Flat cable 5 x 2.5 mm ² + 2 x 1.5 mm ² 3L + N + PE + 2 Bus halogen-free 0.6/1kV 1 Approvals	Flat cable 5 x 2.5 mm ² + 2 x 1.5 mm ² 3L + N + PE + 2 Bus PVC 0.6/1kV 1 Approvals
--	--	---

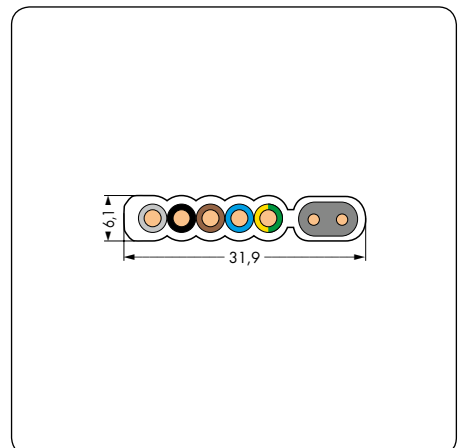
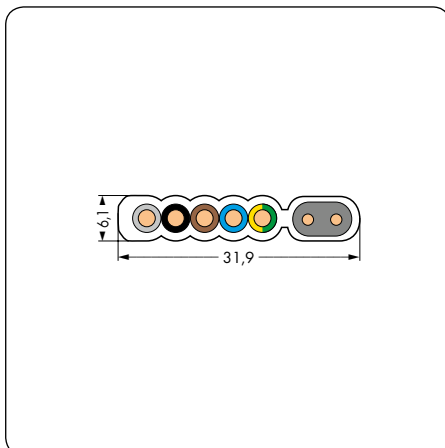
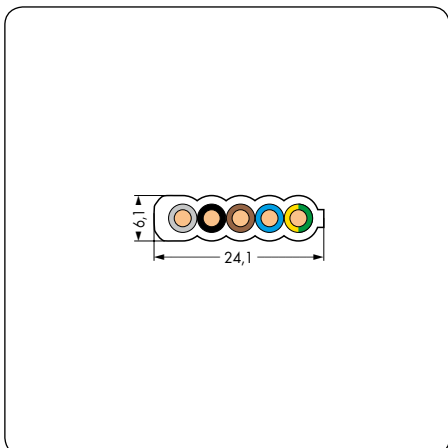


Color	Item No.	Color	Item No.	Color	Item No.
Flat cable 5 x 4 mm ² , halogen-free		Flat cable 5 x 2.5 mm ² + 2 x 1.5 mm ² halogen-free		Flat cable 5 x 2.5 mm ² + 2 x 1.5 mm ² , PVC	
black	897-453	violet	897-262	violet	897-261

Item-Specific Accessories

Flat cable end cover, plastic. Every cable end must be fitted with an end cover.  transparent 897-250 10	Flat cable end cover, plastic. Every cable end must be fitted with an end cover.  transparent 897-260 10	Flat cable end cover, plastic. Every cable end must be fitted with an end cover.  transparent 897-260 10
Insulating tape for flat cables, for sealing contact holes in flat cables.  black 897-900 10	Insulating tape for flat cables, for sealing contact holes in flat cables.  black 897-900 10	Insulating tape for flat cables, for sealing contact holes in flat cables.  black 897-900 10
Fixing clamp, plastic, for screw mounting  gray 897-878 100	Fixing clamp, plastic, for screw mounting  gray 897-878 100	Fixing clamp, plastic, for screw mounting  gray 897-878 100
Stripping pliers  897-971 1 Cutter 897-972 1	Stripping pliers  897-971 1 Cutter 897-972 1	Stripping pliers  897-971 1 Cutter 897-972 1

Dimensions

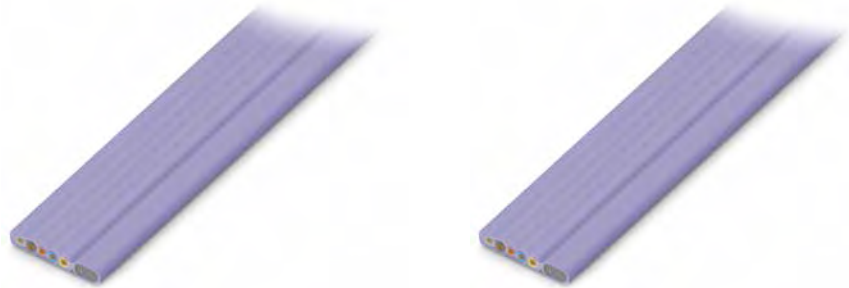


WINSTA® IDC









Flat Cables 5 x 2.5 mm² + 2 x 1.5 mm²

897 Series

	<p>Flat cable 5 x 2.5 mm² + 2 x 1.5 mm² 3L + N + PE + 2 Bus halogen-free 0.6/1kV</p> <p>1 Approvals</p>	<p>Flat cable 5 x 2.5 mm² + 2 x 1.5 mm² 3L + N + PE + 2 Bus PVC 0.6/1kV</p> <p>1 Approvals</p>
--	---	--

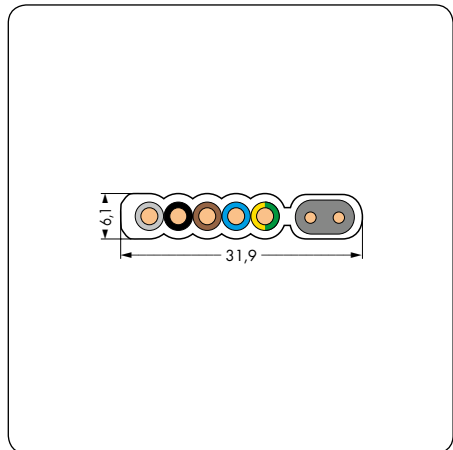
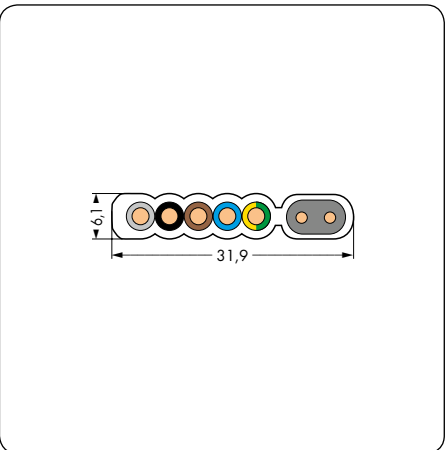


Description	Color	Item No.	Color	Item No.
Flat cables, halogen-free or PVC, 7-pole	Flat cable 5 x 2.5 mm ² + 2 x 1.5 mm ² halogen-free		Flat cable 5 x 2.5 mm ² + 2 x 1.5 mm ² , PVC	
	violet	897-262	violet	897-261

Item-Specific Accessories				
	<p>Flat cable end cover, plastic. Every cable end must be fitted with an end cover.</p>  <p>transparent 897-260 10</p>	<p>Flat cable end cover, plastic. Every cable end must be fitted with an end cover.</p>  <p>transparent 897-260 10</p>		
	<p>Insulating tape for flat cables, for sealing contact holes in flat cables.</p>  <p>black 897-900 10</p>	<p>Insulating tape for flat cables, for sealing contact holes in flat cables.</p>  <p>black 897-900 10</p>		
	<p>Fixing clamp, plastic, for screw mounting</p>  <p>gray 897-878 100</p>	<p>Fixing clamp, plastic, for screw mounting</p>  <p>gray 897-878 100</p>		
	<p>Stripping pliers</p>  <p>897-971 1</p> <p>Cutter 897-972 1</p>	<p>Stripping pliers</p>  <p>897-971 1</p> <p>Cutter 897-972 1</p>		
Info	Dimensions			

1 For "International Certification Organizations" and "Approvals – User Guide", see pages 300 to 303.

Fire load data available upon request.













WINSTA® IDC Flat Cables 2 x 1.5 mm² 897 Series

	<p>Flat cable 2 x 1.5 mm² 2 Bus halogen-free 50 V</p> <p>📌 Approvals</p>	<p>Flat cable 2 x 1.5 mm² 2 Bus PVC 50 V</p> <p>📌 Approvals</p>
--	---	--

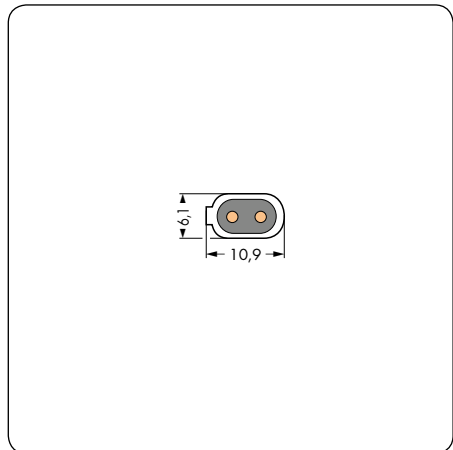
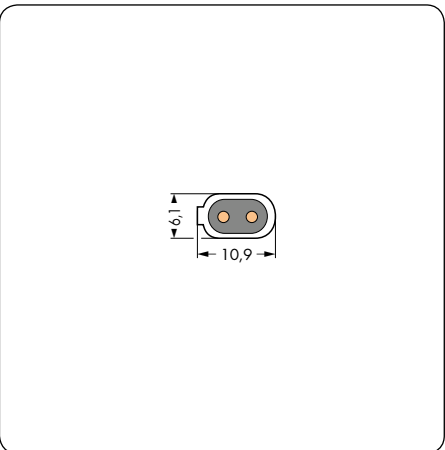


Description	Color	Item No.	Color	Item No.
Flat cables, halogen-free or PVC, 2-pole	Flat cable 2 x 1.5 mm ² , halogen-free		Flat cable 2 x 1.5 mm ² , PVC	
	light gray	897-122	light gray	897-121

Item-Specific Accessories				
	<p>Flat cable end cover, plastic. Every cable end must be fitted with an end cover.</p> <p> transparent 897-120 10</p>	<p>Flat cable end cover, plastic. Every cable end must be fitted with an end cover.</p> <p> transparent 897-120 10</p>		
	<p>Insulating tape for flat cables, for sealing contact holes in flat cables.</p> <p> black 897-900 10</p>	<p>Insulating tape for flat cables, for sealing contact holes in flat cables.</p> <p> black 897-900 10</p>		
	<p>Fixing clamp, plastic, for screw mounting</p> <p> gray 897-878 100</p>	<p>Fixing clamp, plastic, for screw mounting</p> <p> gray 897-878 100</p>		
	<p>Stripping pliers</p> <p> 897-971 1</p> <p>Cutter 897-972 1</p>	<p>Stripping pliers</p> <p> 897-971 1</p> <p>Cutter 897-972 1</p>		
Info	Dimensions			

📌 For "International Certification Organizations" and "Approvals – User Guide", see pages 300 to 303.

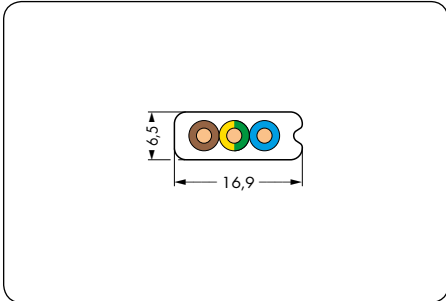
Fire load data available upon request.





WINSTA® IDC Flat Cables 3 x 2.5 mm² 897 Series

	Flat cable 3 x 2.5 mm² 250 V Approvals
--	--



Position the base and tighten screw, if necessary. Insert flat cable accurately. The key in the base must match the groove in the cable insulation.

Description	Color	Item No.	Pack. Unit
Flat cable 3 x 2.5 mm ²	Flat cable PVC 3 x 2.5 mm ² , L + N + PE light gray	897-231	
	Flat cable 3 x 2.5 mm ² , halogen-free, L + N + PE light gray	897-232	



Cut outgoing feeder cable, completely strip and insert conductors. Tighten screws firmly (observe 0.7 Nm of tightening torque).

Item-Specific Accessories			
	Flat cable end cover, plastic. Every cable end must be fitted with an end cover.	transparent	897-230 10
	Insulating tape for flat cables, for sealing contact holes in flat cables.	black	897-900 10
	Fixing clamp, for screw mounting	dark gray	897-839 200 (8 x 25)
	Stripping pliers, remove 17 mm of the conductor insulation.		897-931 1
	Cutter		897-972 1

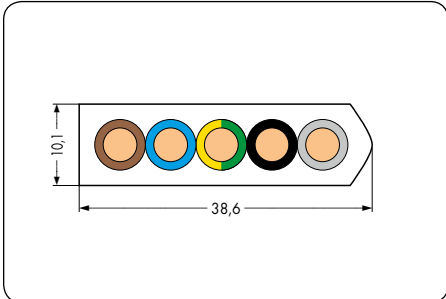


Insert upper part into base until it hits the stop (which will click when engaged). Push down and lock lever. All 3 cores are contacted simultaneously.

Tap-Off Module with WINSTA® MIDI Socket	Color	Item No.	Pack. Unit
 	Tap-off module fitted with WINSTA® MIDI socket (coding A), with H35VV-F cable, 3.5 cm long, 3 x 2.5 mm ²		
	black	896-233	10
	white	896-234	10
For other lengths, please contact factory.			

WINSTA® IDC Flat Cables 5 x 10 mm² 897 Series

	Flat cable 5 x 10 mm² 0.6/1kV Approvals
--	---








Cut both sides of the outer insulation of the flat cable using a stripping knife (observe 30 mm of cutting length).

Description	Color	Item No.	Pack. Unit
Flat cable 5 x 10 mm ²	Flat cable 5 x 10 mm ² , PVC, 3L + N + PE light gray	897-1051	
	Flat cable 5 x 10 mm ² , halogen-free, 3L + N + PE light gray	897-1052	



Cut off outer insulation via cutter.

Item-Specific Accessories			
	Flat cable end cover , plastic. Every cable end must be fitted with an end cover.  transparent 897-1050 10		
	Insulating tape for flat cables , for sealing contact holes in flat cables.  black 897-900 10		
	Fixing clamp , for screw mounting  dark gray 897-859 100		
	Stripping knife  897-951 1		
	Cutter  897-970 1		



Push end cover fully onto the conductor ends.

Pre-Assembled Version



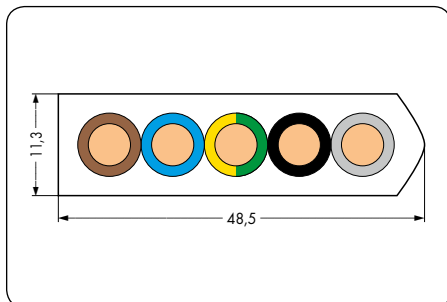
The 895-1652 Tap-Off Module is also available with a pre-assembled WINSTA® MIDI connector. For item number and delivery time, please contact factory.

WINSTA® IDC

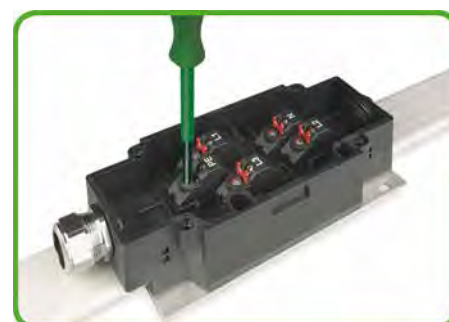
Flat Cables 5 x 16 mm²

897 Series





	<p>Flat cable 5 x 16 mm² 0.6/1kV</p> <p>📌 Approvals</p>
--	--

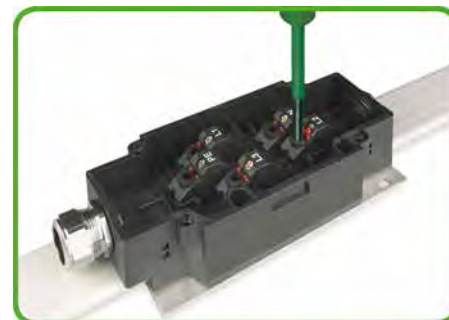


Description	Color	Item No.	Pack. Unit
Flat cable 5 x 16 mm ²	PVC 5 x 16 mm ² flat cable, 3L + N + PE		
	light gray	897-1651	
Halogen-free 5 x 16 mm ² flat cable, 3L + N + PE	Halogen-free 5 x 16 mm ² flat cable, 3L + N + PE		
	light gray	897-1652	



Make contact with the flat cable by tightening the screw until it hits the stop (observe the tightening torque!)

Item-Specific Accessories			
	<p>Flat cable end cover, plastic. Every cable end must be fitted with an end cover.</p> 	transparent	897-1650 4
	<p>Insulating tape for flat cables, for sealing contact holes in flat cables.</p> 	black	897-901 10
	<p>Stripping knife</p> 		897-952 1
	<p>Cutter</p> 		897-970 1



Red contact clips confirm that the contacts are made correctly when they are flush with the terminals.

Pre-Assembled Version



The 895-1652 Tap-Off Module is also available with a pre-assembled WINSTA® MAXI connector. For item number and delivery time, please contact factory.



10



899 Series	
Single-Phase Current (230 V)	245
Three-Phase Current (400 V)	249
Three-Phase to Single-Phase Current (400 V/230 V)	251
Supply Cable Entry	256
DALI	260
SMI	263
Motion and Presence Detectors	264
On/Off Switching	267
Series Switching	268
Changeover Switching	269
Crossover Switching	270
Cable and Device Protection	271
Overvoltage Protection	271
Switching with Latching Relay	272
EnOcean	273



Accessories	274
Distribution Box for Self-Assembly	275

WINSTA® – Distribution Boxes, 899 Series

Handling:

Distribution box for self-assembly



The set includes: 1 bottom, 1 lid, 2 sidewalls and 16 mounting pins.

Sidewall preparation

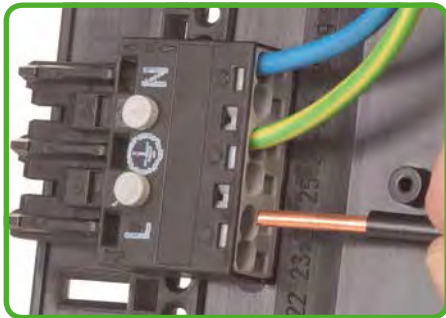


Remove unrequired areas from the sidewalls.



Unassigned slots and spaces are closed by inserting a sidewall.

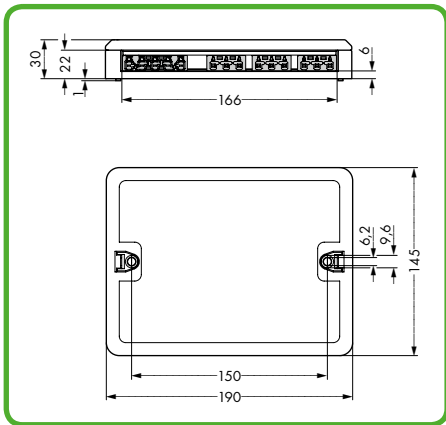
Conductor termination



Solid conductors are terminated via push-in termination, while stranded and fine-stranded conductors are inserted using an operating tool.



Distribution box dimensions



Wall mount



Securing the mounting plate with WINSTA® Distribution Box to the wall (e.g., via stud gun).

Adapter



Adapter for WINSTA® MINI and WINSTA® MINI special connectors

Distribution Box



Custom-made WINSTA® Distribution Box

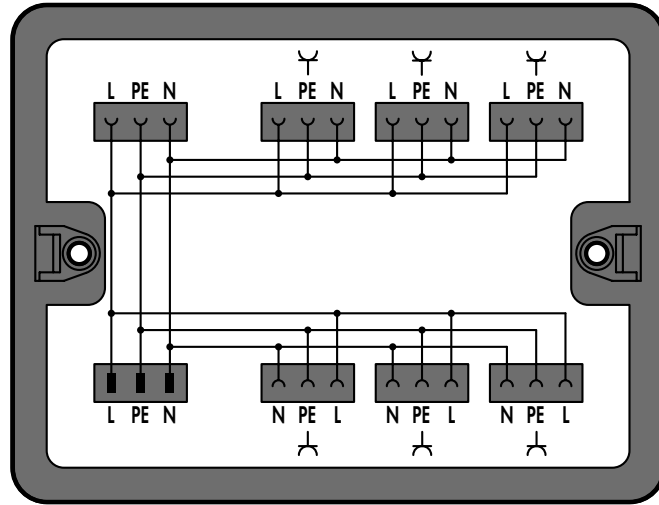
WINSTA® – Distribution Boxes
Distribution, Single-Phase Current (230 V)
1 Input, 7 Outputs, Coding A, WINSTA® MIDI

Description:

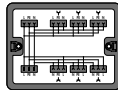
This **WINSTA®** Distribution Box duplicates the outputs of a 3-pole, single-phase cable.

I_N 25 A
 250 V / 4 kV / 3

Internal wiring: 4 mm²



WINSTA®
 Distribution Box



Item	Color	Item No.	Pack. Unit
Distribution box, black	●	899-631/104-000	1

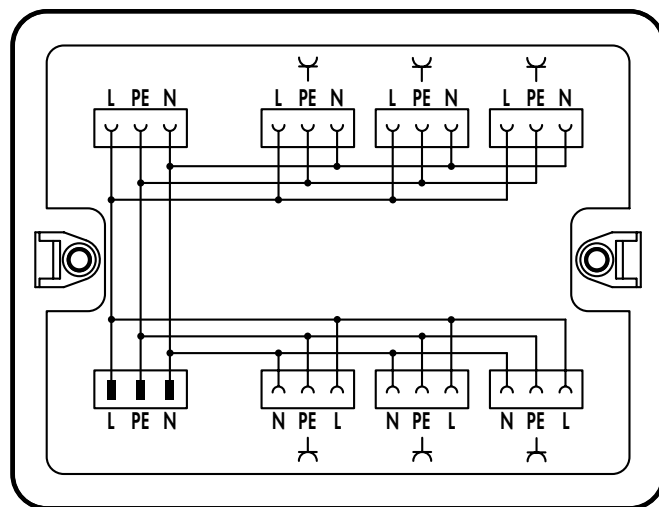
Distribution, Single-Phase Current (230 V)
1 Input, 7 Outputs, Coding A, WINSTA® MIDI

Description:

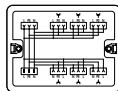
This **WINSTA®** Distribution Box duplicates the outputs of a 3-pole, single-phase cable.

I_N 25 A
 250 V / 4 kV / 3

Internal wiring: 4 mm²



WINSTA®
 Distribution Box



Item	Color	Item No.	Pack. Unit
Distribution box, white	○	899-681/104-000	1

WINSTA® – Distribution Boxes

Distribution, Single-Phase Current (230 V)

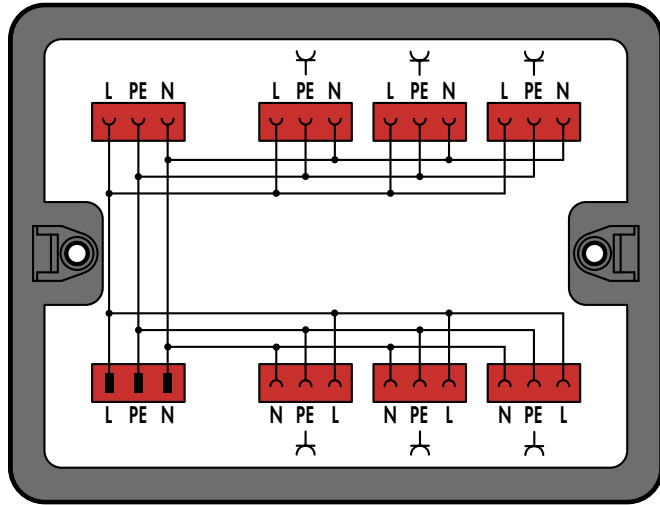
1 Input, 7 Outputs, Coding P, WINSTA® MIDI

Description:

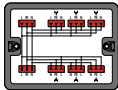
This **WINSTA®** Distribution Box duplicates the outputs of a 3-pole, single-phase cable.

I_N 25 A
250 V / 4 kV / 3

Internal wiring: 4 mm²



WINSTA®
Distribution Box



Item	Color	Item No.	Pack. Unit
Distribution box, black	●	899-631/330-000	1

Distribution, Single-Phase Current (230 V)

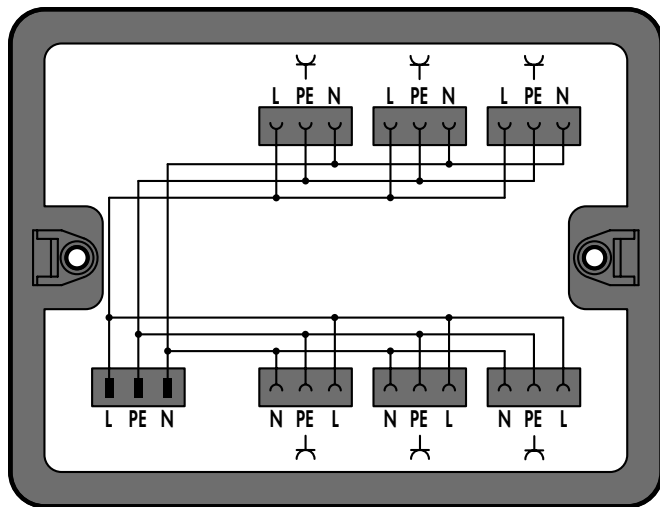
1 Input, 6 Outputs, Coding A, WINSTA® MIDI

Description:

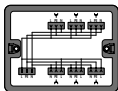
This **WINSTA®** Distribution Box duplicates the outputs of a 3-pole, single-phase cable.

I_N 25 A
250 V / 4 kV / 3

Internal wiring: 4 mm²



WINSTA®
Distribution Box



Item	Color	Item No.	Pack. Unit
Distribution box, black	●	899-631/140-000	1

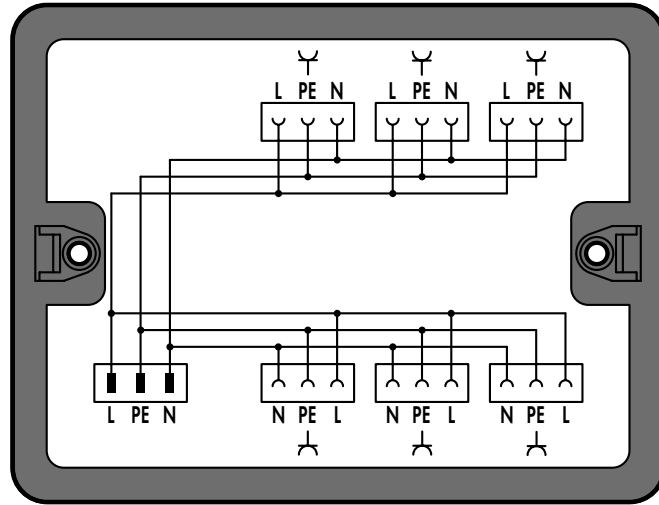
WINSTA® – Distribution Boxes
Distribution, Single-Phase Current (230 V)
1 Input, 6 Outputs, Coding A, WINSTA® MIDI

Description:

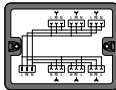
This **WINSTA®** Distribution Box duplicates the outputs of a 3-pole, single-phase cable.

I_N 25 A
 250 V / 4 kV / 3

Internal wiring: 4 mm²



WINSTA®
 Distribution Box



Item	Color	Item No.	Pack. Unit
Distribution box, black	●	899-631/395-000	1

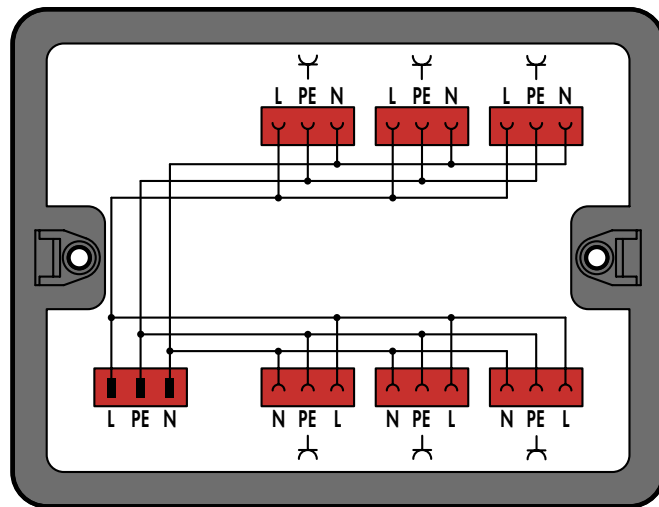
Distribution, Single-Phase Current (230 V)
1 Input, 6 Outputs, Coding P, WINSTA® MIDI

Description:

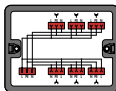
This **WINSTA®** Distribution Box duplicates the outputs of a 3-pole, single-phase cable.

I_N 25 A
 250 V / 4 kV / 3

Internal wiring: 4 mm²



WINSTA®
 Distribution Box



Item	Color	Item No.	Pack. Unit
Distribution box, black	●	899-631/331-000	1

WINSTA® – Distribution Boxes

Distribution, Single-Phase Current (230 V)

1 Input, 13 Outputs, Coding A, WINSTA® MIDI

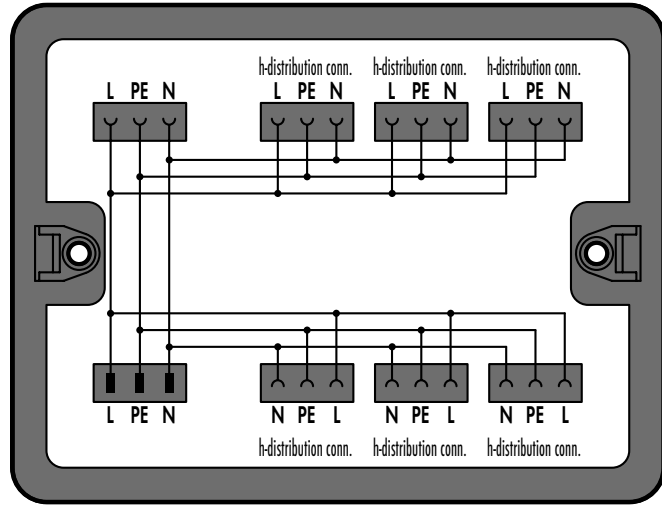
Description:

This **WINSTA®** Distribution Box duplicates the outputs of a 3-pole, single-phase cable.

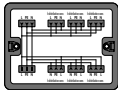
Includes: Six 770-634 h-Distribution Connectors

I_N 25 A
250 V / 4 kV / 3

Internal wiring: 4 mm²



WINSTA®
Distribution Box



Item	Color	Item No.	Pack. Unit
Distribution box, black	●	899-631/334-000	1

Distribution, Single-Phase Current (230 V)

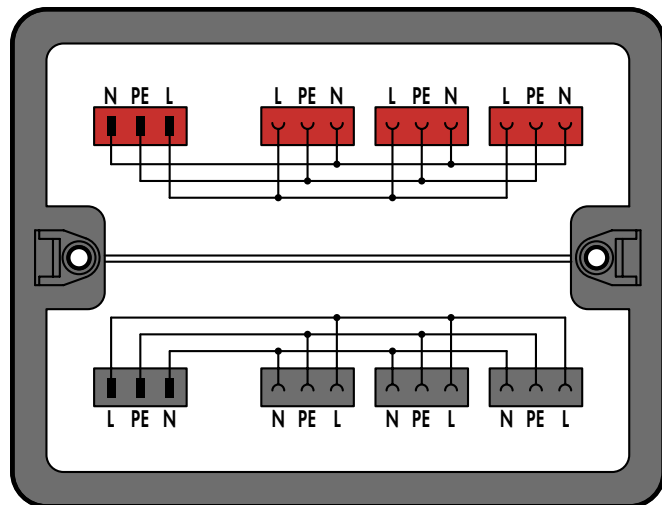
2 Circuits, Coding A + P, WINSTA® MIDI

Description:

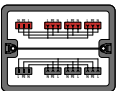
This **WINSTA®** Distribution Box features two different 3-pole, single-phase circuits (e.g., for general power, EDP outlets and UPS systems). Both networks are provided with connectors coded in different colors. Three-pole connecting cables are provided for both power input and output.

I_N 25 A
250 V / 4 kV / 3

Internal wiring: 4 mm²



WINSTA®
Distribution Box



Item	Color	Item No.	Pack. Unit
Distribution box, black	●	899-631/311-000	1

WINSTA® – Distribution Boxes

Distribution, Single-Phase Current (230 V)

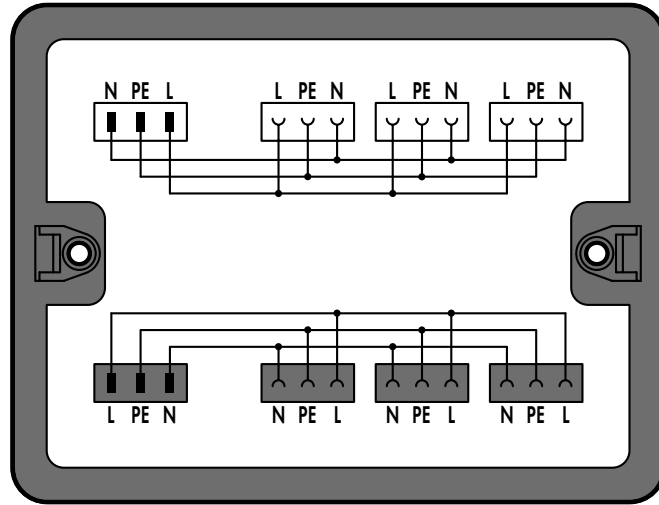
2 Circuits, Coding A, WINSTA® MIDI

Description:

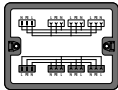
This **WINSTA®** Distribution Box features two 3-pole, single-phase circuits (e.g., for general power, EDP outlets and UPS systems). Three-pole connecting cables are provided for both power input and output.

I_N 25 A
250 V / 4 kV / 3

Internal wiring: 4 mm²



WINSTA®
Distribution Box



Item	Color	Item No.	Pack. Unit
Distribution box, black	●	899-631/327-000	1

Distribution, Three-Phase Current (400 V)

1 Input, 5 Outputs, Coding A, WINSTA® MIDI

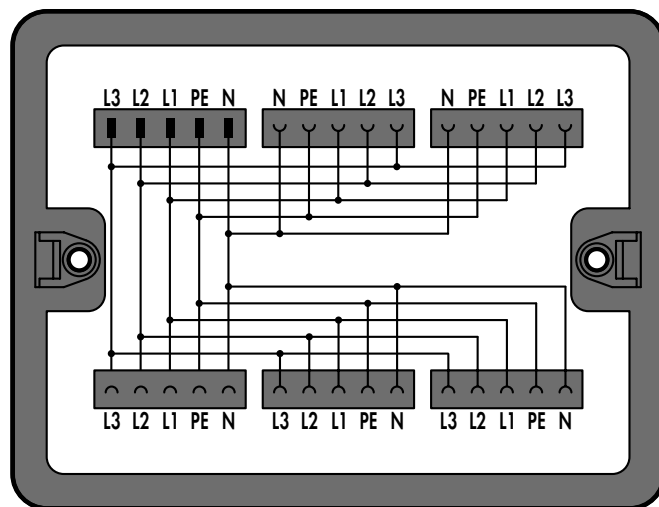
Description:

This **WINSTA®** Distribution Box duplicates the outputs of a 5-pole, three-phase cable.

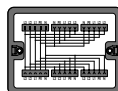
I_N 25 A

400 V / 6 kV / 3

Internal wiring: 4 mm²



WINSTA®
Distribution Box



Item	Color	Item No.	Pack. Unit
Distribution box, black	●	899-631/187-000	1

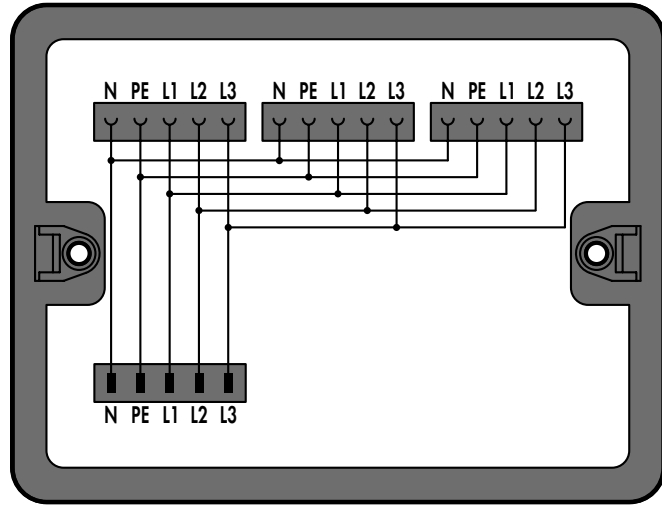
WINSTA® – Distribution Boxes

Distribution, Three-Phase Current (400 V)

1 Input, 3 Outputs, Coding A, WINSTA® MIDI

Description:

This **WINSTA®** Distribution Box duplicates the outputs of a 5-pole, three-phase cable.

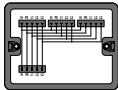


I_N 25 A

400 V / 6 kV / 3

Internal wiring: 4 mm²

WINSTA®
Distribution Box



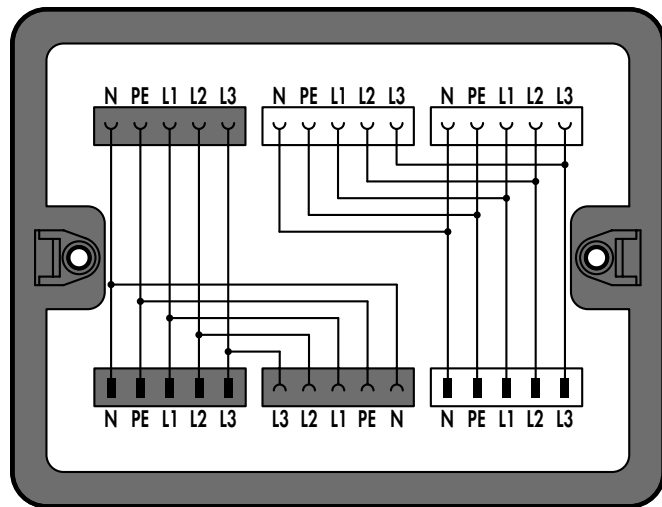
Item	Color	Item No.	Pack. Unit
Distribution box, black	●	899-631/341-000	1

Distribution, Three-Phase Current (400 V)

2 Circuits, 1 Input (Each), 2 Outputs (Each), Coding A, WINSTA® MIDI

Description:

This **WINSTA®** Distribution Box features two different 5-pole, three-phase circuits for both general and uninterruptible power supply in raised-floor boxes. Power supply is performed using a 5-pole connector. For example, both circuits can be clearly identified using black and white connectors or cables.

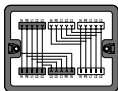


I_N 20 A

400 V / 6 kV / 3

Internal wiring: 2.5 mm²
halogen-free

WINSTA®
Distribution Box



Item	Color	Item No.	Pack. Unit
Distribution box, black	●	899-631/312-000	1

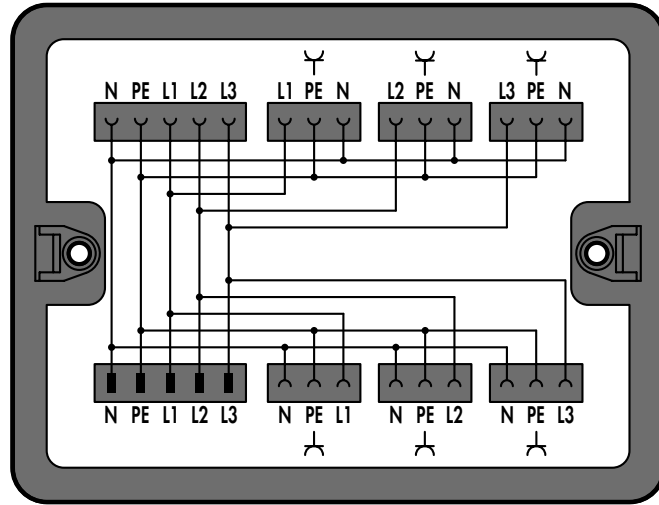
WINSTA® – Distribution Boxes

Distribution, Three-Phase to Single-Phase Current (400 V/230 V) Through Wiring (5-Pole), 6 Outputs (3-Pole), Coding A, WINSTA® MIDI

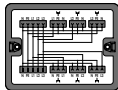
Description:

The phases L₁, L₂ and L₃ of the three-phase current are divided into 3 single-phase circuits with 2 outputs each.

I_N 25 A
250 V / 4 kV / 3
400 V / 6 kV / 3
Internal wiring: 4 mm²



WINSTA®
Distribution Box



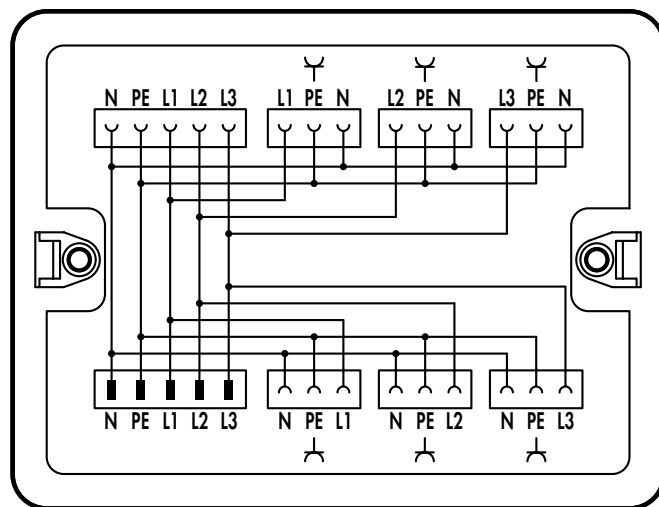
Item	Color	Item No.	Pack. Unit
Distribution box, black	●	899-631/100-000	1

Distribution, Three-Phase to Single-Phase Current (400 V/230 V) Through Wiring (5-Pole), 6 Outputs (3-Pole), Coding A, WINSTA® MIDI

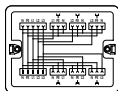
Description:

The phases L₁, L₂ and L₃ of the three-phase current are divided into 3 single-phase circuits with 2 outputs each.

I_N 25 A
250 V / 4 kV / 3
400 V / 6 kV / 3
Internal wiring: 4 mm²



WINSTA®
Distribution Box



Item	Color	Item No.	Pack. Unit
Distribution box, white	○	899-681/100-000	1

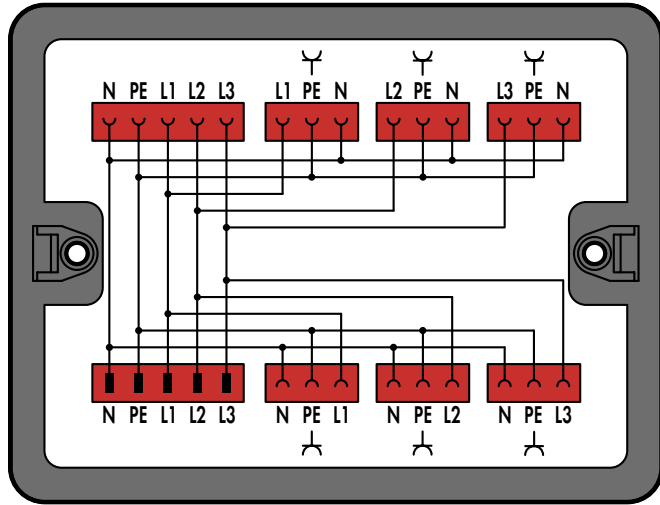
WINSTA® – Distribution Boxes

Distribution, Three-Phase to Single-Phase Current (400 V/230 V) Through Wiring (5-Pole), 6 Outputs (3-Pole), Coding P, WINSTA® MIDI

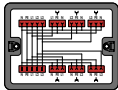
Description:

The phases L₁, L₂ and L₃ of the three-phase current are divided into 3 single-phase circuits with 2 outputs each.

I_N 25 A
250 V / 4 kV / 3
400 V / 6 kV / 3
Internal wiring: 4 mm²



WINSTA®
Distribution Box



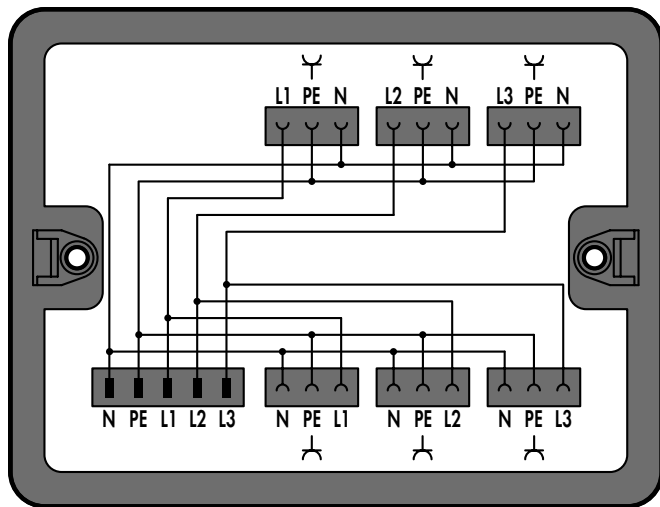
Item	Color	Item No.	Pack. Unit
Distribution box, black	●	899-631/186-000	1

Distribution, Three-Phase to Single-Phase Current (400 V/230 V) 1 Input (5-Pole), 6 Outputs (3-Pole), Coding A, WINSTA® MIDI

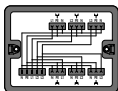
Description:

The phases L₁, L₂ and L₃ of the three-phase current are divided into 3 single-phase circuits with 2 outputs each.

I_N 25 A
250 V / 4 kV / 3
400 V / 6 kV / 3
Internal wiring: 4 mm²



WINSTA®
Distribution Box



Item	Color	Item No.	Pack. Unit
Distribution box, black	●	899-631/105-000	1

WINSTA® – Distribution Boxes

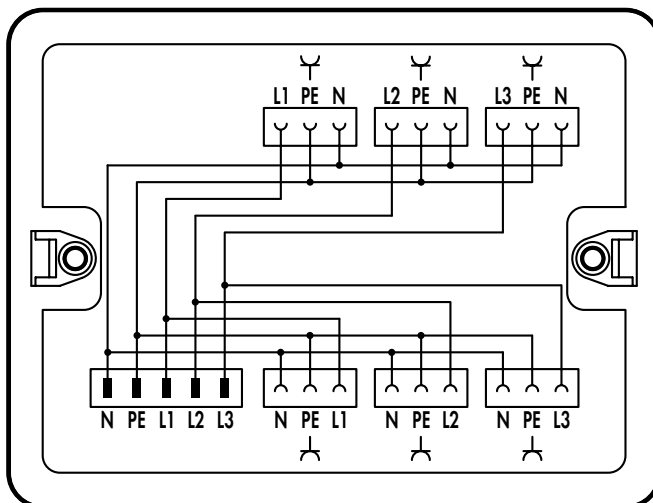
Distribution, Three-Phase to Single-Phase Current (400 V/230 V)

1 Input (5-Pole), 6 Outputs (3-Pole), Coding A, WINSTA® MIDI

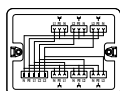
Description:

The phases L₁, L₂ and L₃ of the three-phase current are divided into 3 single-phase circuits with 2 outputs each.

I_N 25 A
 250 V / 4 kV / 3
 400 V / 6 kV / 3
 Internal wiring: 4 mm²



WINSTA®
 Distribution Box



Item	Color	Item No.	Pack. Unit
Distribution box, white	○	899-681/105-000	1

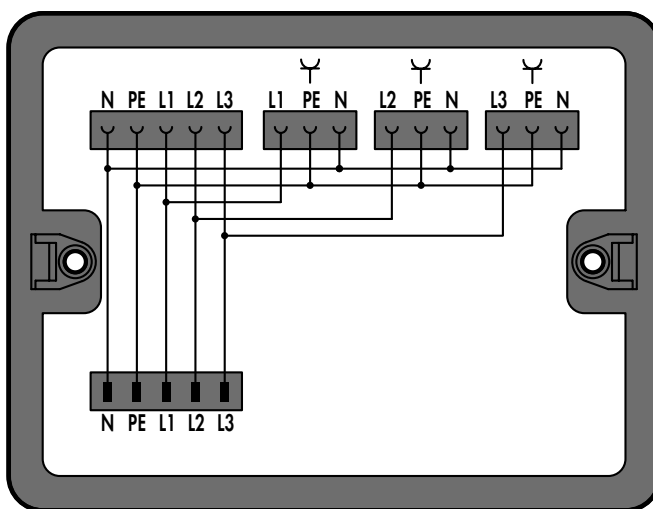
Distribution, Three-Phase to Single-Phase Current (400 V/230 V)

Through Wiring (5-Pole), 3 Outputs (3-Pole), Coding A, WINSTA® MIDI

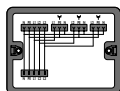
Description:

The phases L₁, L₂ and L₃ of the three-phase current are divided into 3 single-phase circuits.

I_N 25 A
 250 V / 4 kV / 3
 400 V / 6 kV / 3
 Internal wiring: 4 mm²



WINSTA®
 Distribution Box



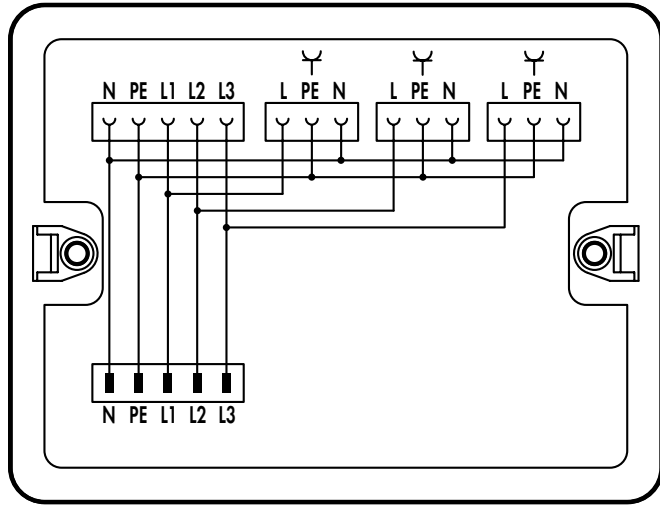
Item	Color	Item No.	Pack. Unit
Distribution box, black	●	899-631/346-000	1

WINSTA® – Distribution Boxes

Distribution, Three-Phase to Single-Phase Current (400 V/230 V) Through Wiring (5-Pole), 3 Outputs (3-Pole), Coding A, WINSTA® MIDI

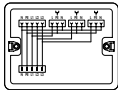
Description:

The phases L₁, L₂ and L₃ of the three-phase current are divided into 3 single-phase circuits.



I_N 20 A
250 V / 4 kV / 3
400 V / 6 kV / 3
Internal wiring: 2.5 mm²

WINSTA®
Distribution Box

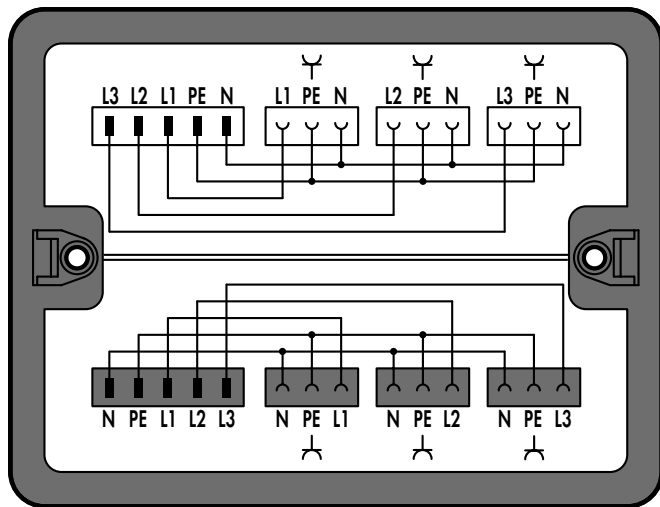


Item	Color	Item No.	Pack. Unit
Distribution box, white	○	899-681/142-000	1

Distribution, Three-Phase to Single-Phase Current (400 V/230 V) 2 Circuits, 1 Input (Each), 3 Outputs (Each), Coding A, WINSTA® MIDI

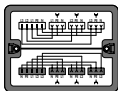
Description:

This WINSTA® Distribution Box divides 2 three-phase circuits into 3 single-phase circuits each (e.g., 230 V and EDP outlets).



I_N 25 A
250 V / 4 kV / 3
400 V / 6 kV / 3
Internal wiring: 4 mm²

WINSTA®
Distribution Box



Item	Color	Item No.	Pack. Unit
Distribution box, black	●	899-631/349-000	1

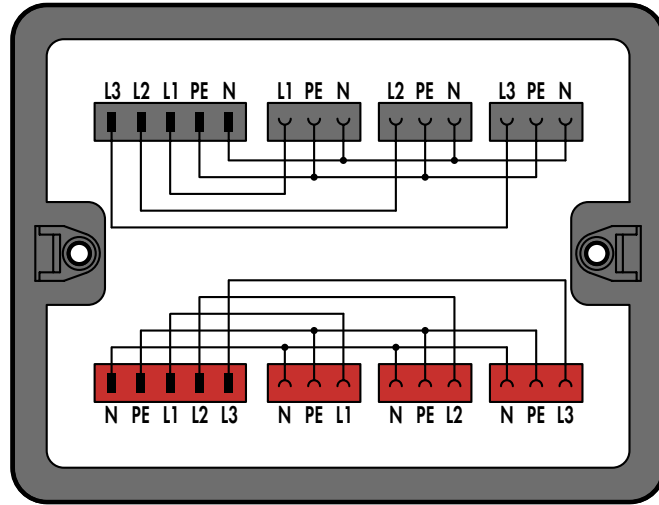
WINSTA® – Distribution Boxes

Distribution, Three-Phase to Single-Phase Current (400 V/230 V)
2 Circuits, 1 Input (Each), 3 Outputs (Each), Coding A + P, WINSTA® MIDI

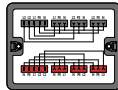
Description:

This **WINSTA®** Distribution Box divides 2 three-phase circuits into 3 single-phase circuits each (e.g., 230 V and EDP outlets).

I_N 25 A
250 V / 4 kV / 3
400 V / 6 kV / 3
Internal wiring: 4 mm²



WINSTA®
Distribution Box



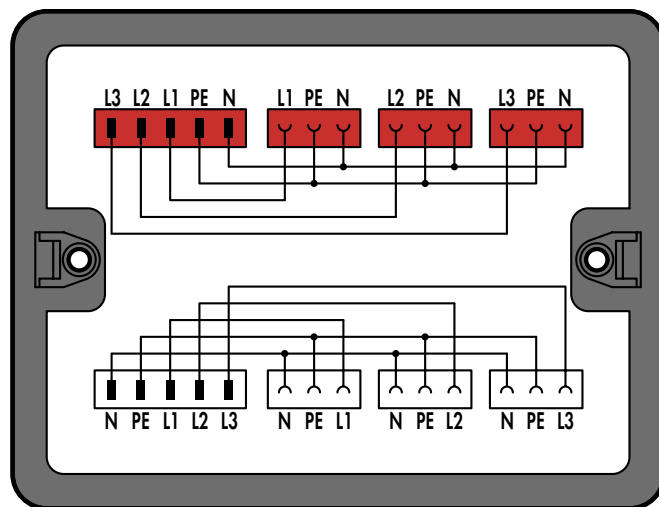
Item	Color	Item No.	Pack. Unit
Distribution box, black	●	899-631/302-000	1

Distribution, Three-Phase to Single-Phase Current (400 V/230 V)
2 Circuits, 1 Input (Each), 3 Outputs (Each), Coding A + P, WINSTA® MIDI

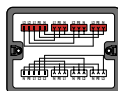
Description:

This **WINSTA®** Distribution Box divides 2 three-phase circuits into 3 single-phase circuits each (e.g., 230 V and EDP outlets).

I_N 25 A
250 V / 4 kV / 3
400 V / 6 kV / 3
Internal wiring: 4 mm²



WINSTA®
Distribution Box



Item	Color	Item No.	Pack. Unit
Distribution box, black	●	899-631/350-000	1

WINSTA® – Distribution Boxes

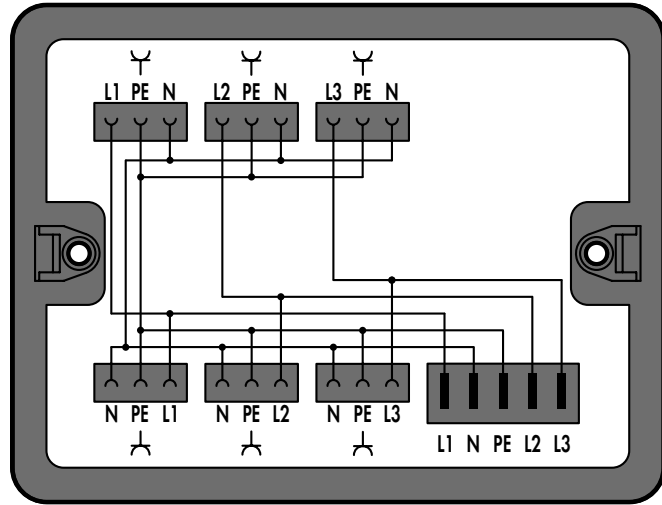
Distribution, Three-Phase to Single-Phase Current (400 V/230 V)

1 Input (5-Pole), 6 Outputs (3-Pole), Coding A, WINSTA® MIDI, WINSTA® MAXI (1)

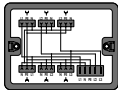
Description:

This **WINSTA®** Distribution Box divides a three-phase circuit into 3 single-phase circuits with 2 outputs each. Power supply is performed via 6 mm² cable equipped with a **WINSTA®** MAXI connector.

I_N 25 A
250 V / 4 kV / 3
400 V / 6 kV / 3
Internal wiring: 4 mm²



WINSTA®
Distribution Box



Item	Color	Item No.	Pack. Unit
Distribution box, black	●	899-631/149-000	1

Supply Cable Entry, Distribution, Three-Phase to Single-Phase Current (400 V/230 V)

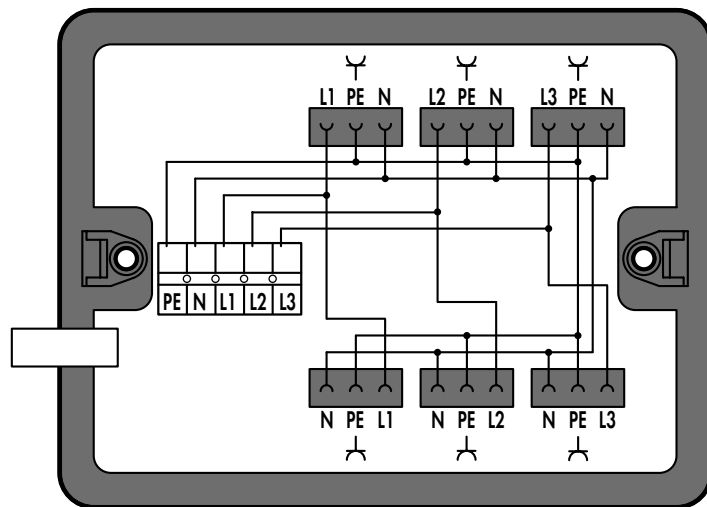
1 Input (Terminal Strip, 5-Pole), 6 Outputs (3-Pole), Coding A, WINSTA® MIDI

Description:

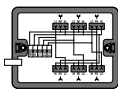
Power supply is performed via standard 5-pole terminal strip. The phases L₁, L₂ and L₃ of the three-phase current are divided into 3 single-phase circuits with 2 outputs each.

Includes: One cable clamp and two fixing screws

I_N 25 A
250 V / 4 kV / 3
400 V / 6 kV / 3
Internal wiring: 4 mm²



WINSTA®
Distribution Box



Item	Color	Item No.	Pack. Unit
Distribution box, black	●	899-631/338-000	1

WINSTA® – Distribution Boxes

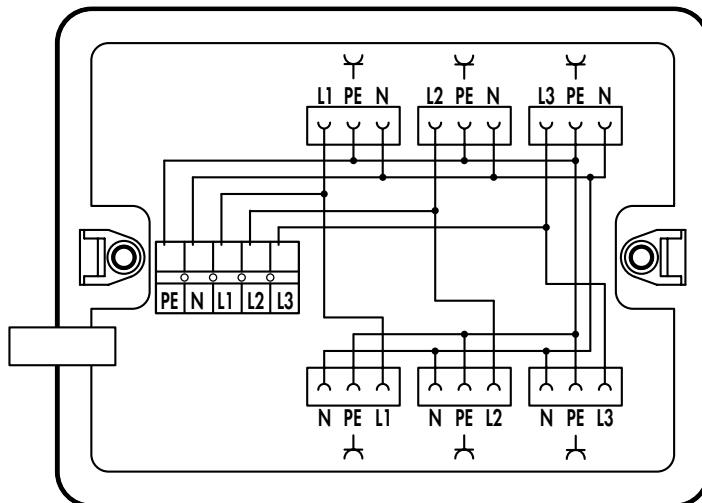
Supply Cable Entry, Distribution, Three-Phase to Single-Phase Current (400 V/230 V) 1 Input (Terminal Strip, 5-Pole), 6 Outputs (3-Pole), Coding A, WINSTA® MIDI

Description:

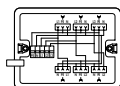
Power supply is performed via standard 5-pole terminal strip. The phases L₁, L₂ and L₃ of the three-phase current are divided into 3 single-phase circuits with 2 outputs each.

Includes: One cable clamp and two fixing screws

I_N 25 A
250 V / 4 kV / 3
400 V / 6 kV / 3
Internal wiring: 4 mm²



WINSTA®
Distribution Box



Item	Color	Item No.	Pack. Unit
Distribution box, white	○	899-681/123-000	1

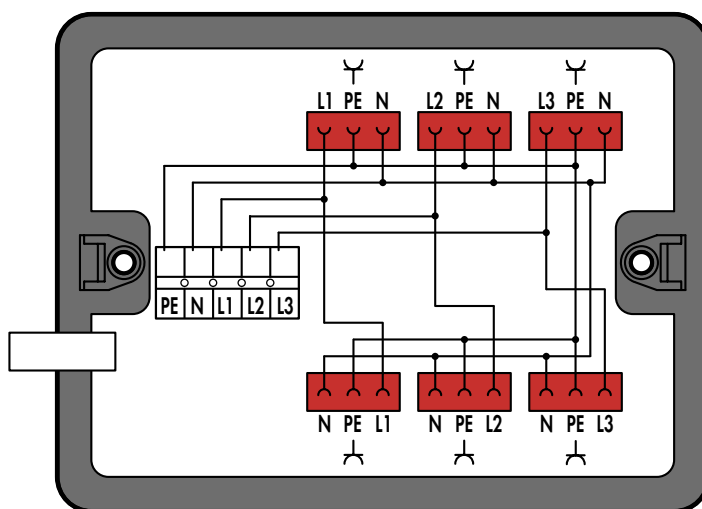
Supply Cable Entry, Distribution, Three-Phase to Single-Phase Current (400 V/230 V) 1 Input (Terminal Strip, 5-Pole), 6 Outputs (3-Pole), Coding P, WINSTA® MIDI

Description:

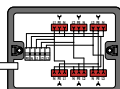
Power supply is performed via standard 5-pole terminal strip. The phases L₁, L₂ and L₃ of the three-phase current are divided into 3 single-phase circuits with 2 outputs each.

Includes: One cable clamp and two fixing screws

I_N 25 A
250 V / 4 kV / 3
400 V / 6 kV / 3
Internal wiring: 4 mm²



WINSTA®
Distribution Box



Item	Color	Item No.	Pack. Unit
Distribution box, black	●	899-631/339-000	1

WINSTA® – Distribution Boxes

Supply Cable Entry, Three Networks

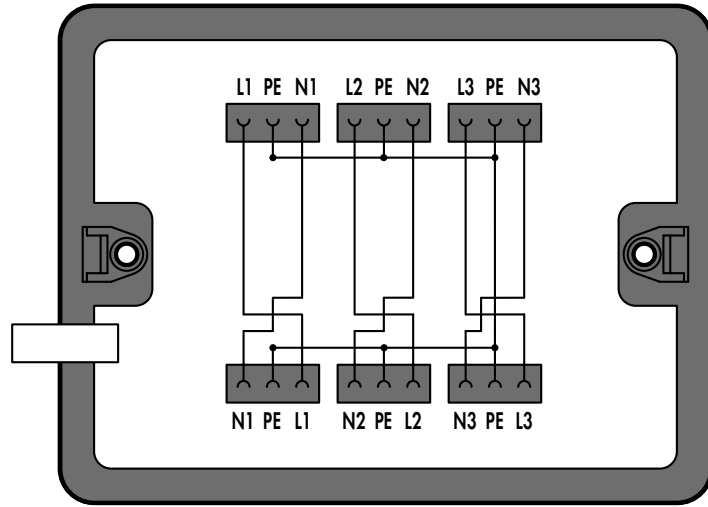
Power Supply (7-Pole), 6 Outputs (3-Pole), Coding A, WINSTA® MIDI

Description:

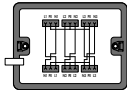
Power supply is performed directly via connectors using a 7-pole cable. Each phase of the three-phase current are divided into 2 outputs. Power supply is performed to the left or to the right.

Includes: Two cable clamps and four fixing screws

I_N 25 A
250 V / 4 kV / 3
400 V / 6 kV / 3
Internal wiring: 4 mm²



WINSTA®
Distribution Box



Item	Color	Item No.	Pack. Unit
Distribution box, black	●	899-631/450-000	1

Supply Cable Entry, Three Networks

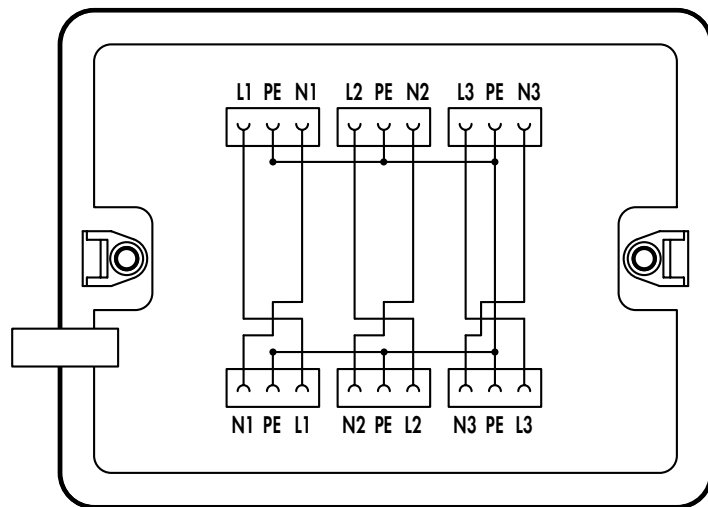
Power Supply (7-Pole), 6 Outputs (3-Pole), Coding A, WINSTA® MIDI

Description:

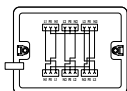
Power supply is performed directly via connectors using a 7-pole cable. Each phase of the three-phase current are divided into 2 outputs. Power supply is performed to the left or to the right.

Includes: Two cable clamps and four fixing screws

I_N 25 A
250 V / 4 kV / 3
400 V / 6 kV / 3
Internal wiring: 4 mm²



WINSTA®
Distribution Box



Item	Color	Item No.	Pack. Unit
Distribution box, white	○	899-681/450-000	1

WINSTA® – Distribution Boxes

Supply Cable Entry

Power Supply (10-Pole), 4 Outputs (4-Pole), Coding A, WINSTA® MIDI

10

259

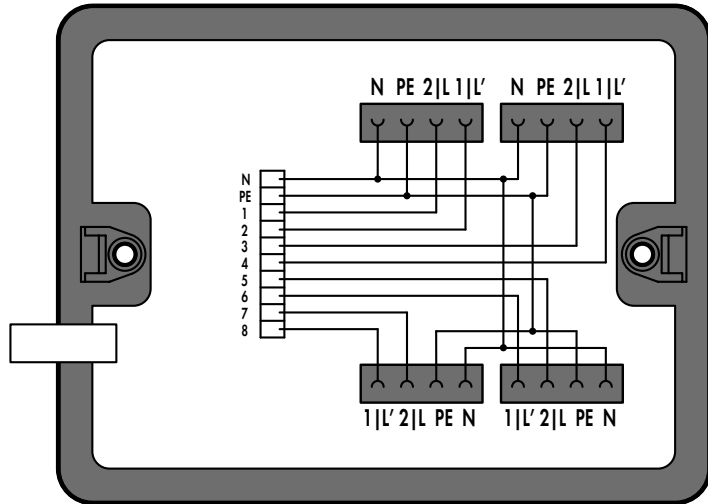
Description:

Power supply is performed via 10-pole terminal strip.

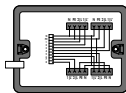
Application example:
Blind drives control

Includes: One cable clamp and two fixing screws

I_N 16 A
250 V / 4 kV / 3
400 V / 6 kV / 3
Internal wiring: 1.5 mm²



WINSTA®
Distribution Box



Item	Color	Item No.	Pack. Unit
Distribution box, black	●	899-631/453-000	1

Supply Cable Entry

Power Supply (10-Pole), 8 Outputs (2-Pole), Coding B, WINSTA® MIDI special

Description:

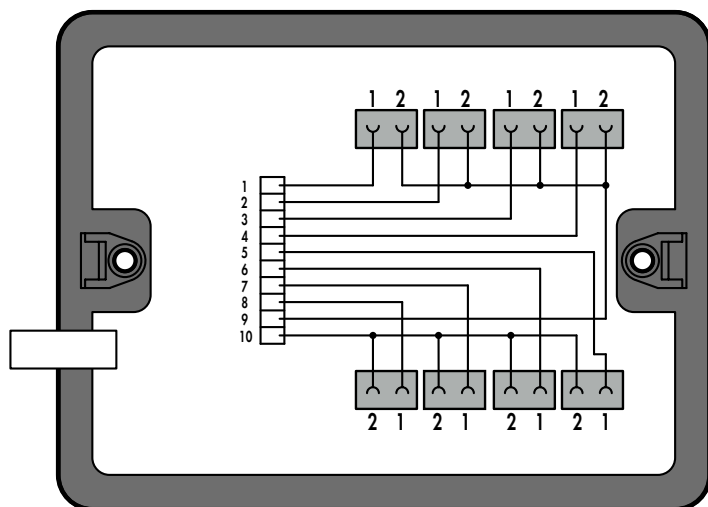
Power supply is performed via 10-pole cable on terminal strip.

Application example:
Valves control

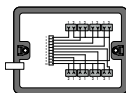
Includes: One cable clamp and two fixing screws

I_N 6 A
250 V / 4 kV / 3

Internal wiring: 0.75 mm²



WINSTA®
Distribution Box



Item	Color	Item No.	Pack. Unit
Distribution box, black	●	899-631/454-000	1

10

WINSTA® – Distribution Boxes

Distribution, 230 V + DALI

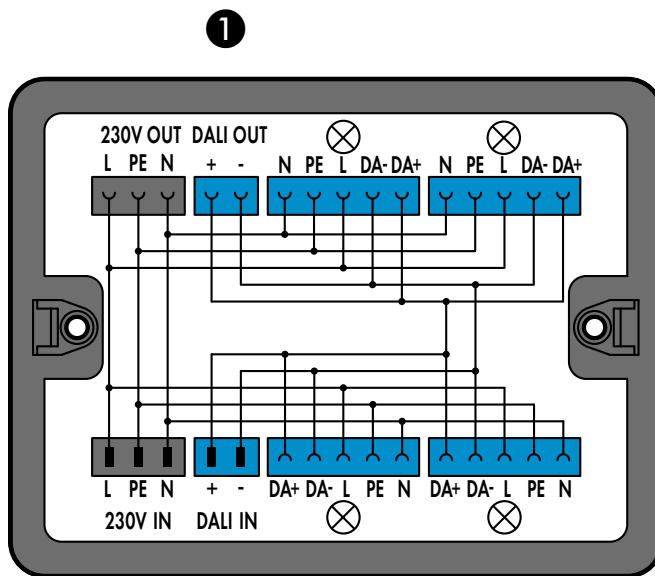
2 Inputs, 6 Outputs, Coding A + I, WINSTA® MINI (1), WINSTA® MIDI

Description:

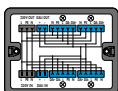
This **WINSTA®** Distribution Box connects 5-pole DALI lights. Power supply is performed via two cables (230 V and DALI). Both cables are combined into four outputs.

I_N 25 A/16 A
250 V / 4 kV / 3

Internal wiring: 4 mm²/1.5 mm²



WINSTA®
Distribution Box



Item	Color	Item No.	Pack. Unit
Distribution box, black	●	899-631/181-000	1

Distribution, 400 V + DALI

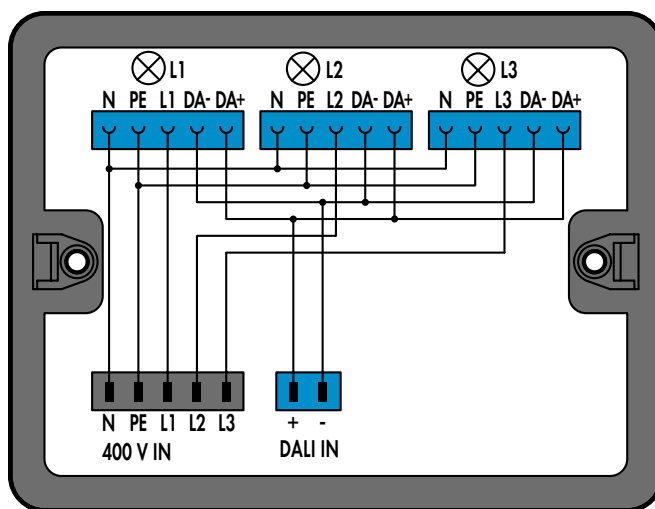
2 Inputs, 3 Outputs, Coding A + I, WINSTA® MINI (1), WINSTA® MIDI

Description:

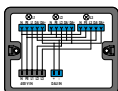
This **WINSTA®** Distribution Box combines the phases L₁, L₂ and L₃ of the three-phase current with the DALI signal (separate cable).

I_N 25 A/16 A
250 V / 4 kV / 3

Internal wiring: 4 mm²/1.5 mm²



WINSTA®
Distribution Box



Item	Color	Item No.	Pack. Unit
Distribution box, black	●	899-631/354-000	1

WINSTA® – Distribution Boxes

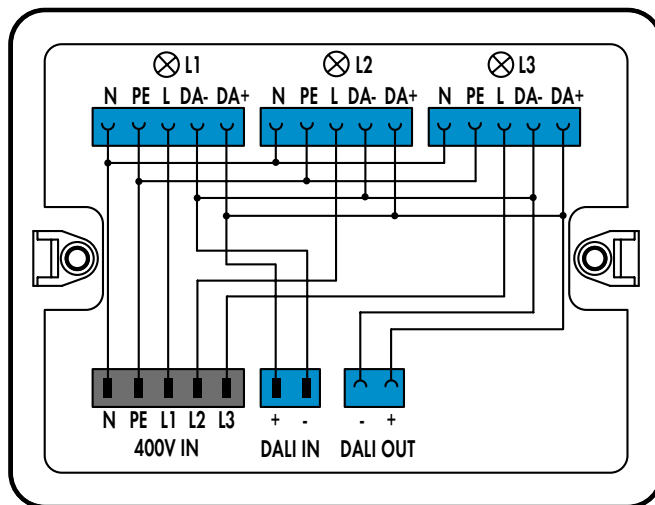
Distribution, 400 V + DALI

2 Inputs, 4 Outputs, Coding A + I, WINSTA® MINI (1), WINSTA® MIDI

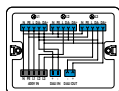
Description:

This **WINSTA®** Distribution Box combines the phases L₁, L₂ and L₃ of the three-phase current with the DALI signal (separate cable).

I_N 25 A / 16 A
 250 V / 4 kV / 3
 400 V / 6 kV / 3
 Internal wiring: 4 mm² / 1.5 mm²



WINSTA®
Distribution Box



Item	Color	Item No.	Pack. Unit
Distribution box, white	○	899-681/129-000	1

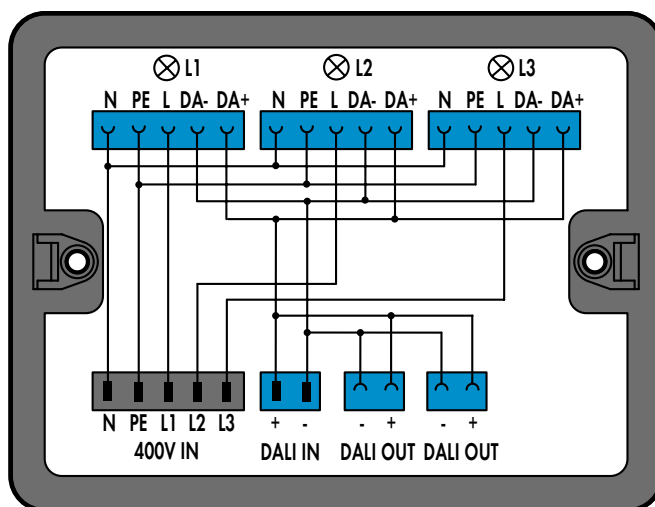
Distribution, 400 V + DALI

2 Inputs, 5 Outputs, Coding A + I, WINSTA® MINI (1), WINSTA® MIDI

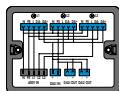
Description:

This **WINSTA®** Distribution Box combines the phases L₁, L₂ and L₃ of the three-phase current with the DALI signal (separate cable).

I_N 20 A / 16 A
 250 V / 4 kV / 3
 400 V / 6 kV / 3
 Internal wiring: 2.5 mm² / 1.5 mm²



WINSTA®
Distribution Box



Item	Color	Item No.	Pack. Unit
Distribution box, black	●	899-631/455-000	1

WINSTA® – Distribution Boxes

Distribution, 230 V + DALI

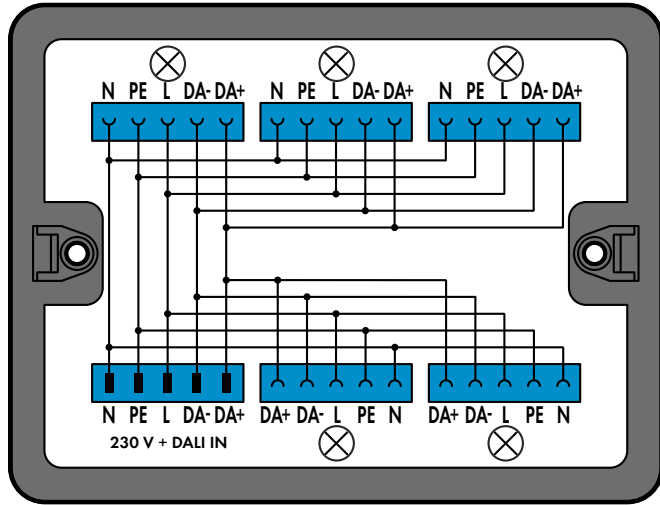
1 Input, 5 Outputs, Coding I, WINSTA® MIDI

Description:

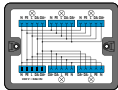
This **WINSTA®** Distribution Box connects 5-pole DALI lights.
Both 230 V power supply and DALI bus for light scene control are combined into a single line.

I_N 20 A
250 V / 4 kV / 3

Internal wiring: 2.5 mm²



WINSTA®
Distribution Box



Item	Color	Item No.	Pack. Unit
Distribution box, black	●	899-631/313-000	1

Distribution, 230 V + DALI

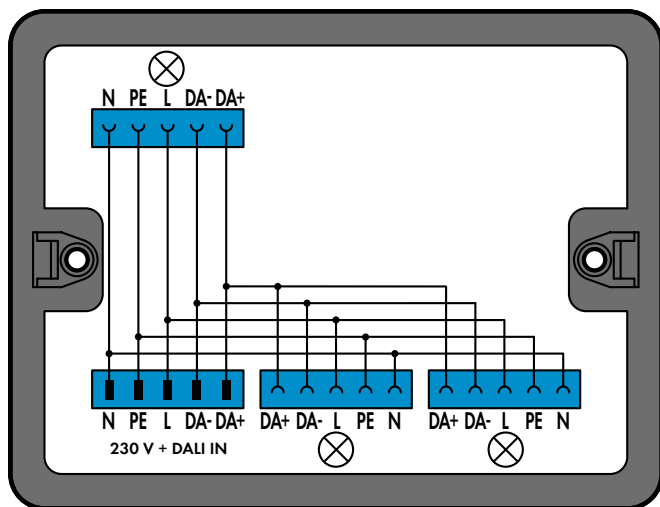
1 Input, 3 Outputs, Coding I, WINSTA® MIDI

Description:

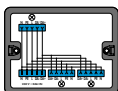
This **WINSTA®** Distribution Box connects three DALI lights.

I_N 20 A
250 V / 4 kV / 3

Internal wiring: 2.5 mm²



WINSTA®
Distribution Box



Item	Color	Item No.	Pack. Unit
Distribution box, black	●	899-631/319-000	1

WINSTA® – Distribution Boxes

Distribution, 230 V + SMI

2 Inputs, 6 Outputs, Coding A + B

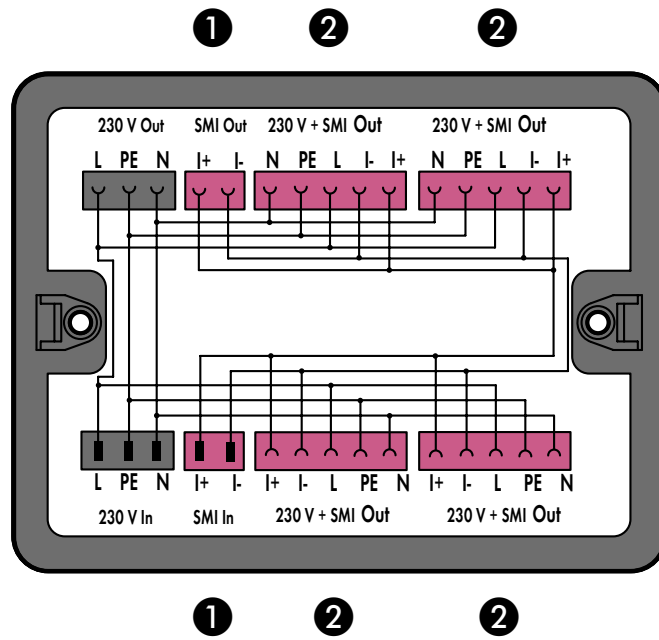
Description:

This **WINSTA®** Distribution Box combines both single-phase circuit and SMI signal (separate cable) into four 5-pole output sockets.

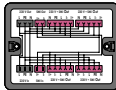
- WINSTA® MINI special (1)
- WINSTA® MIDI
- WINSTA® MIDI special (2)

I_N 25 A / 16 A
250 V / 4 kV / 3

Internal wiring: 4 mm² / 1.5 mm²



WINSTA®
Distribution Box



Item	Color	Item No.	Pack. Unit
Distribution box, black	●	899-631/405-000	1

Distribution, 230 V + SMI

2 Inputs, 5 Outputs, Coding A + B

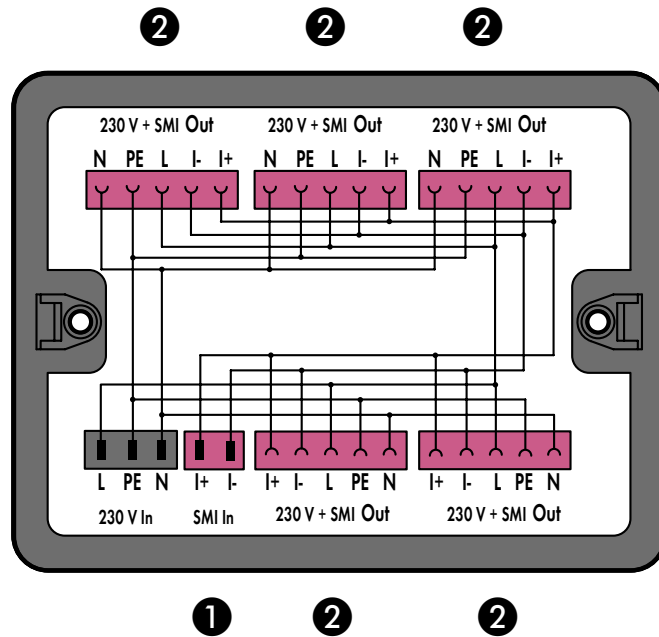
Description:

This **WINSTA®** Distribution Box connects to 5-pole SMI drives. Power supply is performed via two cables (230 V and SMI). Both cables are combined into four outputs.

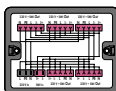
- WINSTA® MINI special (1)
- WINSTA® MIDI
- WINSTA® MIDI special (2)

I_N 20 A / 16 A
250 V / 4 kV / 3

Internal wiring: 2.5 mm² / 1.5 mm²



WINSTA®
Distribution Box



Item	Color	Item No.	Pack. Unit
Distribution box, black	●	899-631/444-000	1

WINSTA® – Distribution Boxes

Distribution, 230 V + SMI

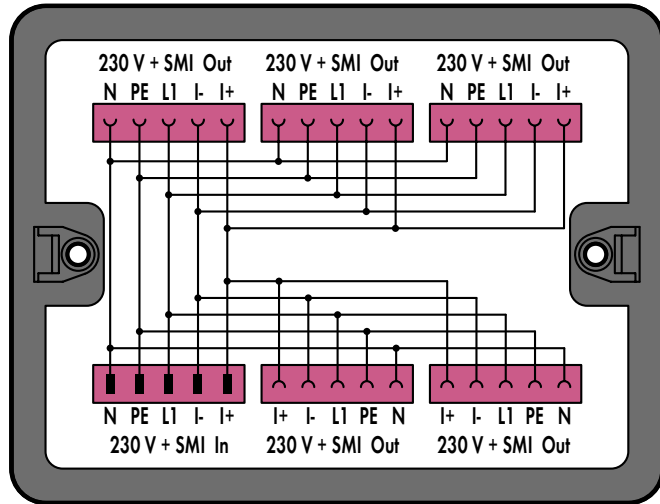
1 Input, 5 Outputs, Coding B, WINSTA® MIDI special

Description:

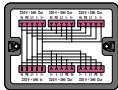
This **WINSTA®** Distribution Box connects to 5-pole SMI drives; 230 V power supply and SMI signal are combined into a single line.

I_N 20 A / 16 A
250 V / 4 kV / 3

Internal wiring: 2.5 mm² / 1.5 mm²



WINSTA®
Distribution Box



Item	Color	Item No.	Pack. Unit
Distribution box, black	●	899-631/421-000	1

Motion and Presence Detectors, ESYLUX

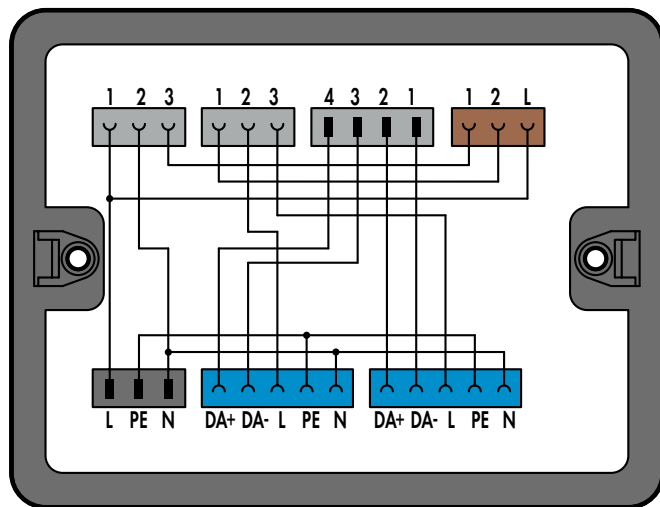
2 Inputs, 5 Outputs, Coding A, B, I, S

Description:

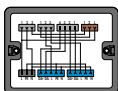
This **WINSTA®** Distribution Box connects to ESYLUX presence detectors.

I_N 20 A
250 V / 4 kV / 3

Internal wiring: 2.5 mm²



WINSTA®
Distribution Box



Item	Color	Item No.	Pack. Unit
Distribution box, black	●	899-631/442-000	1

WINSTA® – Distribution Boxes

Motion and Presence Detectors, ESYLUX

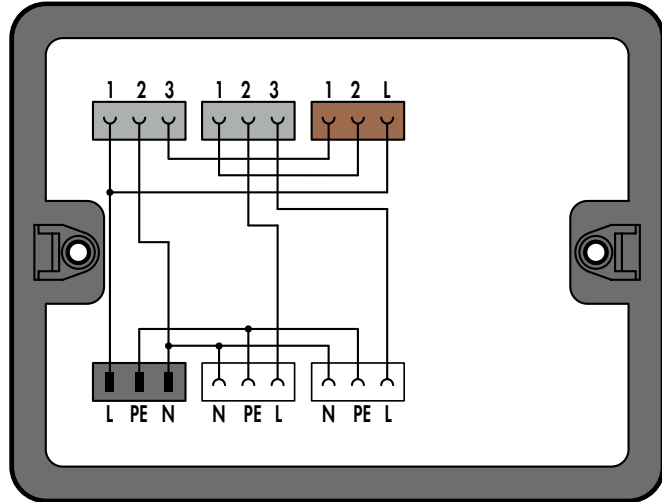
1 Input, 5 Outputs, Coding A, B, S

Description:

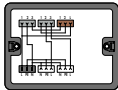
This **WINSTA®** Distribution Box connects to ESYLUX presence detectors.

I_N 20 A
250 V / 4 kV / 3

Internal wiring: 2.5 mm²



WINSTA®
Distribution Box



Item	Color	Item No.	Pack. Unit
Distribution box, black	●	899-631/443-000	1

Motion and Presence Detectors

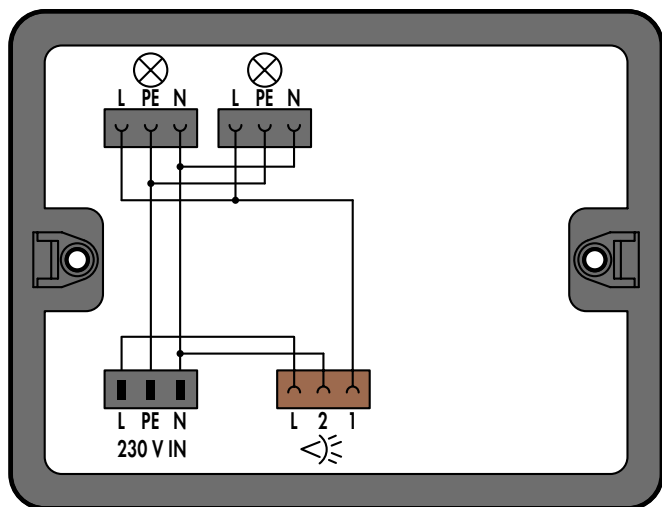
1 Input, 2 Lights, 1 Motion Detector, Coding A + S, WINSTA® MIDI

Description:

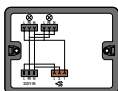
This **WINSTA®** Distribution Box connects to one motion detector and two lights.

I_N 25 A
250 V / 4 kV / 3

Internal wiring: 4 mm²



WINSTA®
Distribution Box



Item	Color	Item No.	Pack. Unit
Distribution box, black	●	899-631/309-000	1

WINSTA® – Distribution Boxes

Motion and Presence Detectors

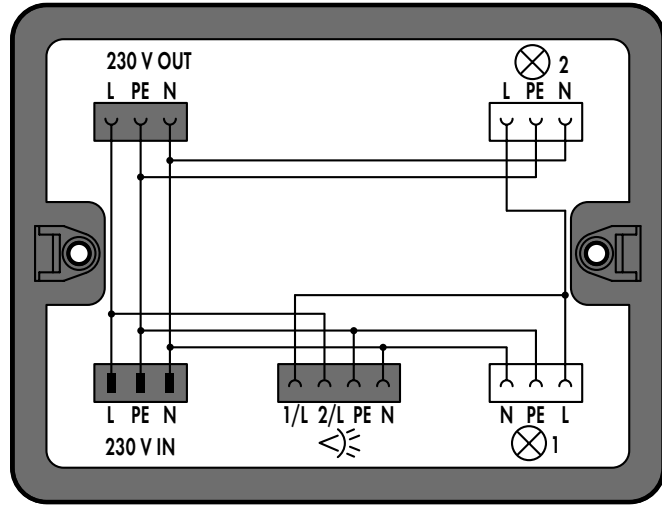
Through Wiring (3-Pole), 2 Lights, 1 Motion Detector, Coding A, WINSTA® MIDI

Description:

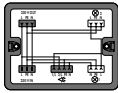
This **WINSTA®** Distribution Box connects to one motion detector and two lights.

I_N 25 A
250 V / 4 kV / 3

Internal wiring: 4 mm²



WINSTA®
Distribution Box



Item	Color	Item No.	Pack. Unit
Distribution box, black	●	899-631/374-000	1

Motion and Presence Detectors

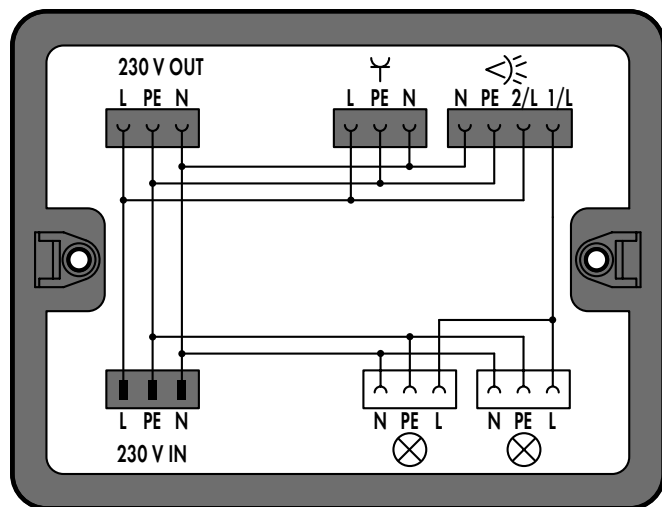
Through Wiring (3-Pole), 1 Output, 2 Lights, 1 Motion Detector, Coding A, WINSTA® MIDI

Description:

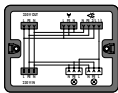
This **WINSTA®** Distribution Box connects to one motion detector, two lights and one outlet.

I_N 25 A
250 V / 4 kV / 3

Internal wiring: 4 mm²



WINSTA®
Distribution Box



Item	Color	Item No.	Pack. Unit
Distribution box, black	●	899-631/180-000	1

WINSTA® – Distribution Boxes

On/Off Switching

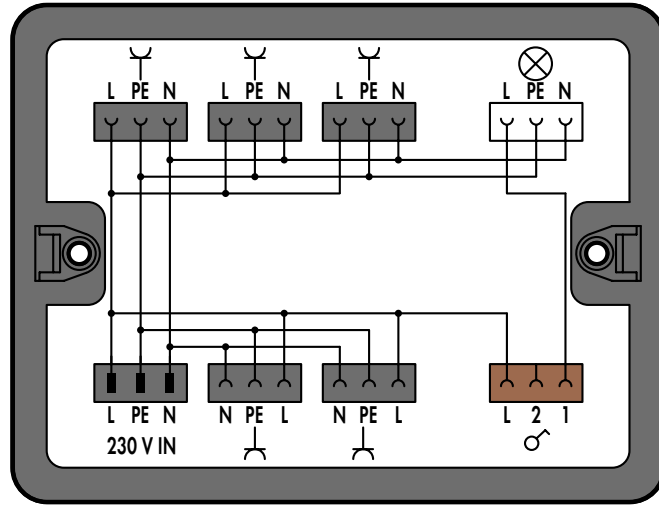
1 Input, 5 Outputs, 1 Light, 1 Switch, Coding A + S, WINSTA® MIDI

Description:

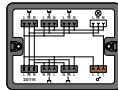
This **WINSTA®** Distribution Box features one on/off switch for five power outlets and one light.

I_N 25 A
250 V / 4 kV / 3

Internal wiring: 4 mm²



WINSTA®
Distribution Box



Item	Color	Item No.	Pack. Unit
Distribution box, black	●	899-631/304-000	1

On/Off Switching

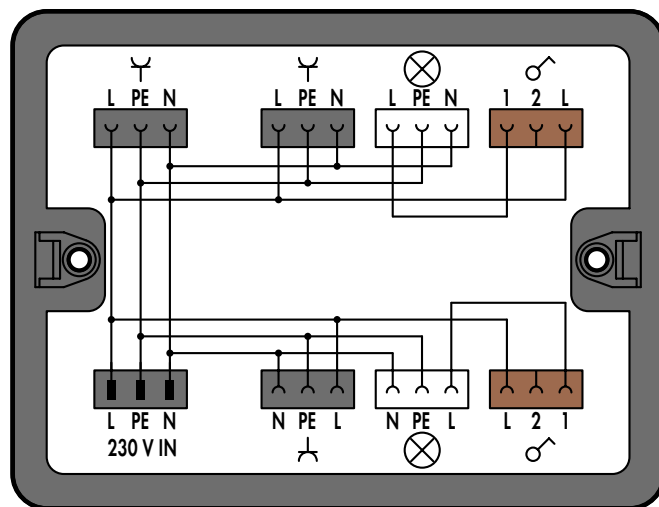
1 Input, 3 Outputs, 2 Lights, 2 Switches, Coding A + S, WINSTA® MIDI

Description:

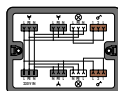
This **WINSTA®** Distribution Box features two on/off switches for three power outlets and two lights.

I_N 25 A
250 V / 4 kV / 3

Internal wiring: 4 mm²



WINSTA®
Distribution Box



Item	Color	Item No.	Pack. Unit
Distribution box, black	●	899-631/123-000	1

WINSTA® – Distribution Boxes

On/Off Switching

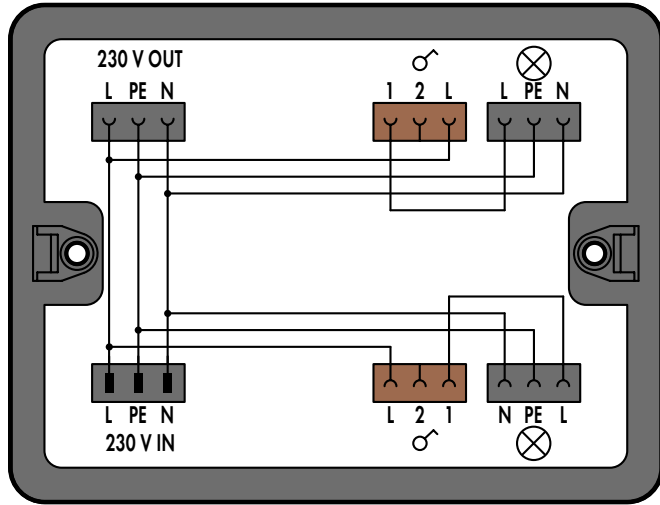
1 Input, 1 Output, 2 Lights, 2 Switches, Coding A + S, WINSTA® MIDI

Description:

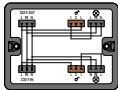
This **WINSTA®** Distribution Box features two on/off switches for 1 light each.

I_N 25 A
250 V / 4 kV / 3

Internal wiring: 4 mm²



WINSTA®
Distribution Box



Item	Color	Item No.	Pack. Unit
Distribution box, black	●	899-631/363-000	1

Series Switching

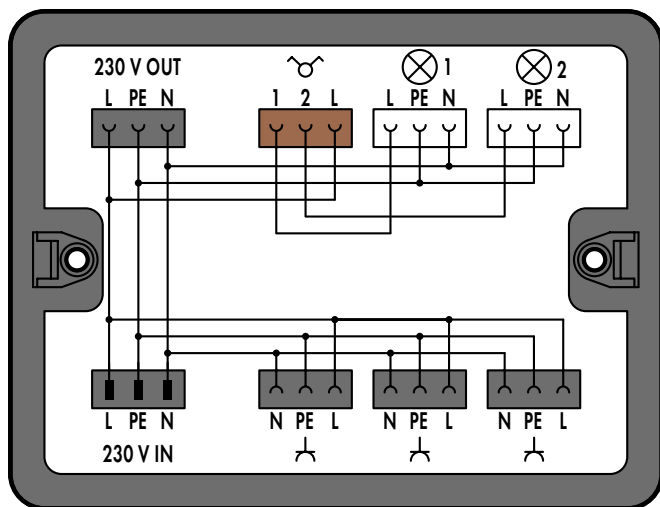
1 Input, 4 Outputs, 2 Lights, 1 Switches, Coding A + S, WINSTA® MIDI

Description:

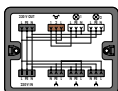
This **WINSTA®** Distribution Box features one series switch and is designed for through wiring and outlet connections.

I_N 25 A
250 V / 4 kV / 3

Internal wiring: 4 mm²



WINSTA®
Distribution Box



Item	Color	Item No.	Pack. Unit
Distribution box, black	●	899-631/130-000	1

WINSTA® – Distribution Boxes

Series Switching

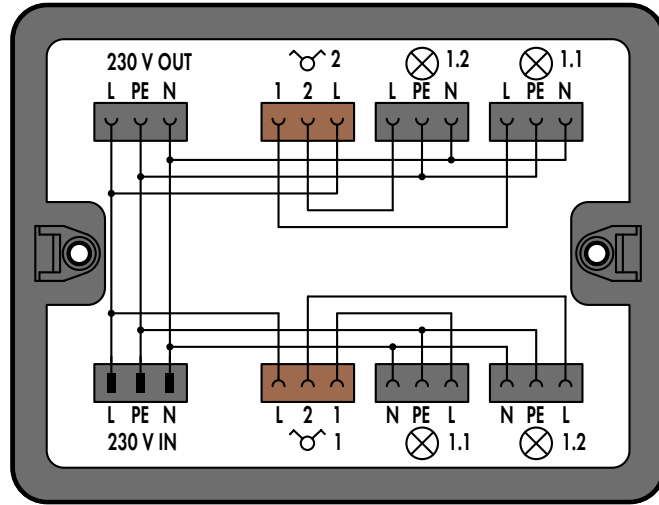
1 Input, 1 Output, 4 Lights, 2 Switches, Coding A + S, WINSTA® MIDI

Description:

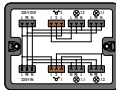
This **WINSTA®** Distribution Box features two series switches with pluggable connectors.

I_N 25 A
250 V / 4 kV / 3

Internal wiring: 4 mm²



WINSTA®
Distribution Box



Item	Color	Item No.	Pack. Unit
Distribution box, black	●	899-631/386-000	1

Changeover Switching

1 Input, 3 Outputs, 2 Lights, 2 Switches, Coding A + S, WINSTA® MIDI

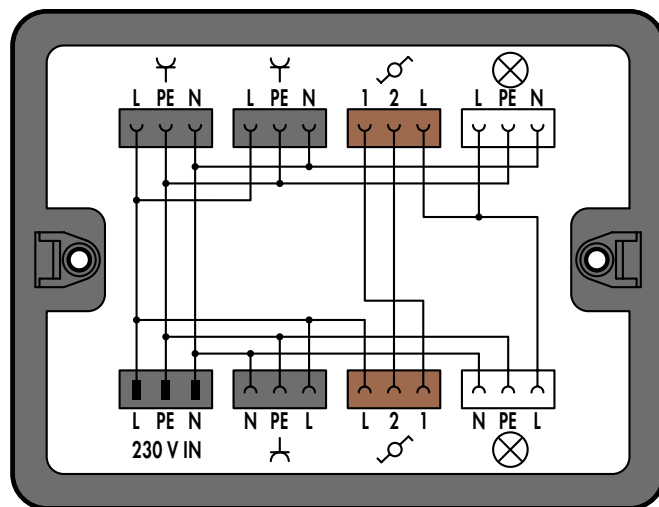
Description:

This **WINSTA®** Distribution Box features two changeover switches and connects to 3 power outlets.

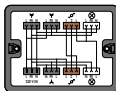
The distribution box is fitted on the 770-680 Mounting Plate.

I_N 25 A
250 V / 4 kV / 3

Internal wiring: 4 mm²



WINSTA®
Distribution Box



Item	Color	Item No.	Pack. Unit
Distribution box, black	●	899-631/189-000	1

WINSTA® – Distribution Boxes

Changeover Switching

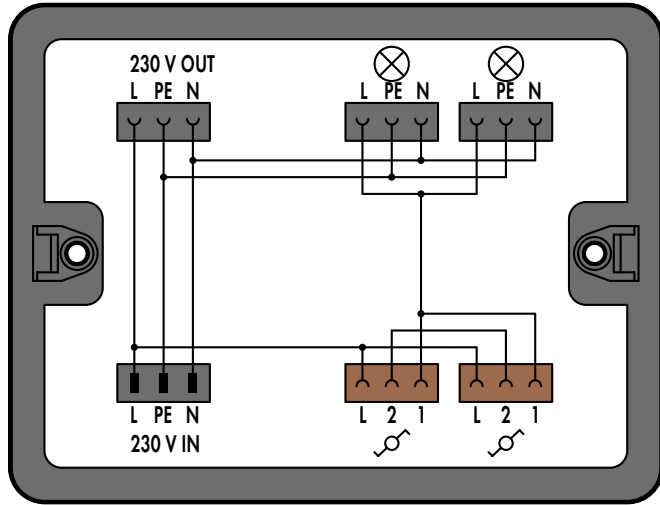
1 Input, 1 Output, 2 Lights, 2 Switches, Coding A + S, WINSTA® MIDI

Description:

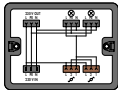
This **WINSTA®** Distribution Box features two economy changeover switches for two lights.

I_N 25 A
250 V / 4 kV / 3

Internal wiring: 4 mm²



WINSTA®
Distribution Box



Item	Color	Item No.	Pack. Unit
Distribution box, black	●	899-631/308-000	1

Crossover Switching

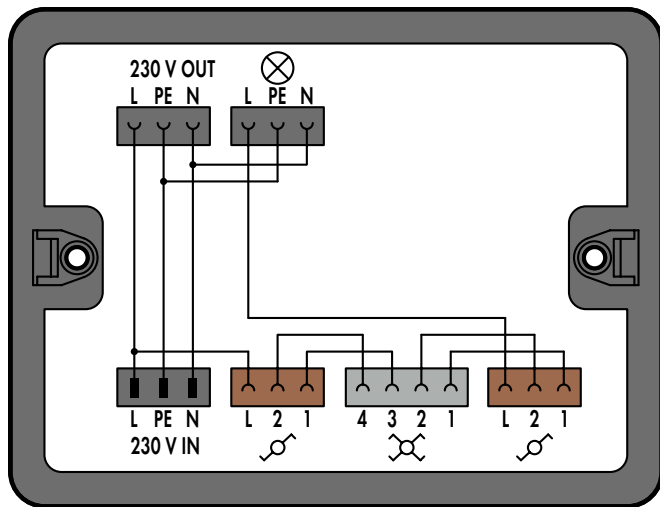
1 Input, 1 Output, 1 Light, 3 Switches, Coding A+B+S, WINSTA® MIDI

Description:

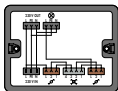
This **WINSTA®** Distribution Box features one crossover switch.

I_N 25 A
250 V / 4 kV / 3

Internal wiring: 4 mm²



WINSTA®
Distribution Box



Item	Color	Item No.	Pack. Unit
Distribution box, black	●	899-631/305-000	1

WINSTA® – Distribution Boxes

Cable and Device Protection

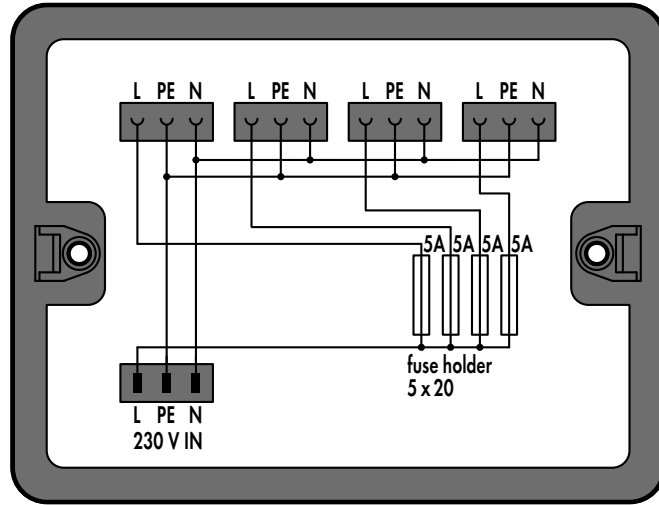
1 Input, 4 Outputs, Coding A, WINSTA® MIDI

Description:

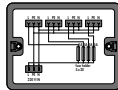
This **WINSTA®** Distribution Box protects four components within a device (5 x 20 mm fuse holder). Power supply is performed using a 3-pole connecting cable.

I_N 5 A
250 V / 4 kV / 3

Internal wiring: 4 mm²



WINSTA®
Distribution Box



Item	Color	Item No.	Pack. Unit
Distribution box, black	●	899-631/315-000	1

Surge Protection (Type 3)

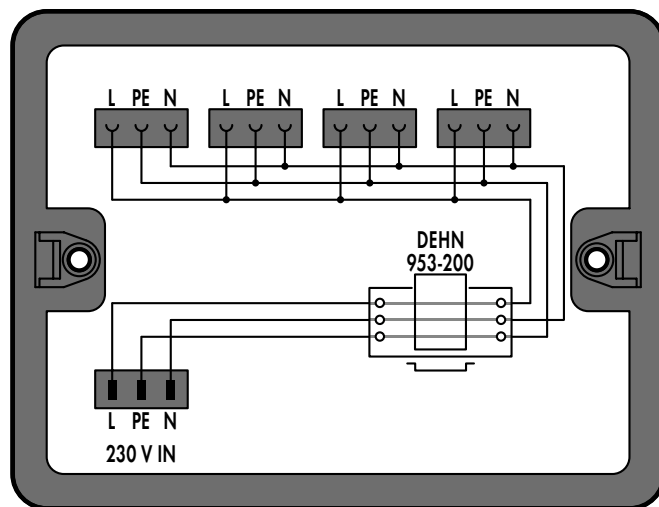
1 Input, 4 Outputs, Coding A, WINSTA® MIDI

Description:

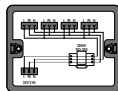
This **WINSTA®** Distribution Box is equipped with a "Type 3" surge suppression device (DEHN 953 200) allowing four 3-pole plug-gable outputs to be protected. Power supply is performed using a 3-pole connecting cable.

I_N 20 A
250 V / 4 kV / 3

Internal wiring: 2.5 mm²



WINSTA®
Distribution Box



Item	Color	Item No.	Pack. Unit
Distribution box, black	●	899-632/182-000	1

WINSTA® – Distribution Boxes

Switching with Latching Relay

1 Input, 1 Light, 3 Push-Buttons, Coding A + S, WINSTA® MIDI

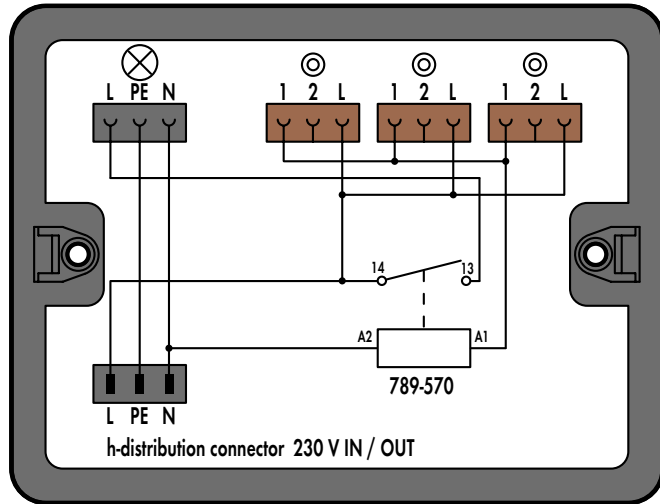
Description:

This **WINSTA®** Distribution Box features a latching relay with three push-buttons and one light.
Power supply (230 V, through wiring) is performed using the provided h-distribution connector.

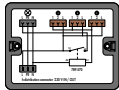
Includes: One 770-633 h-Distribution Connector

I_N 16 A
250 V / 4 kV / 3

Internal wiring: 2.5 mm²



WINSTA®
Distribution Box



Item	Color	Item No.	Pack. Unit
Distribution box, black	●	899-632/101-000	1

Switching with Latching Relay

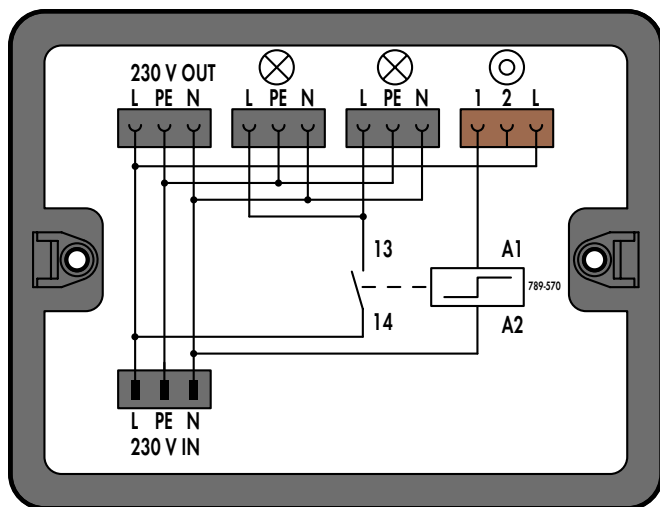
Through Wiring (3-Pole), 2 Outputs, 1 Push-Button, Coding A + S, WINSTA® MIDI

Description:

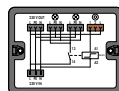
This **WINSTA®** Distribution Box features a latching relay with one push-button and two lights.

I_N 25 A
250 V / 16 KV / 3

Internal wiring: 4 mm² / 2.5 mm²



WINSTA®
Distribution Box



Item	Color	Item No.	Pack. Unit
Distribution box, black	●	899-632/199-000	1

WINSTA® – Distribution Boxes

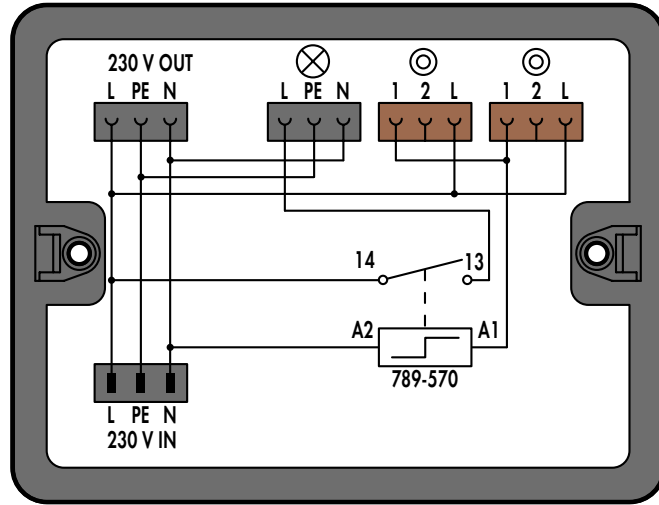
Switching with Latching Relay Through Wiring (3-Pole, 1 Light, 2 Push-Buttons, Coding A + S, WINSTA® MIDI)

Description:

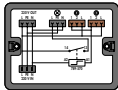
This **WINSTA®** Distribution Box features a latching relay with 2 push-buttons and 1 light.

I_N 25 A / 16 A
250 V / 4 kV / 3

Internal wiring: 4 mm² / 2.5 mm²



WINSTA®
Distribution Box



Item	Color	Item No.	Pack. Unit
Distribution box, black	●	899-632/138-000	1

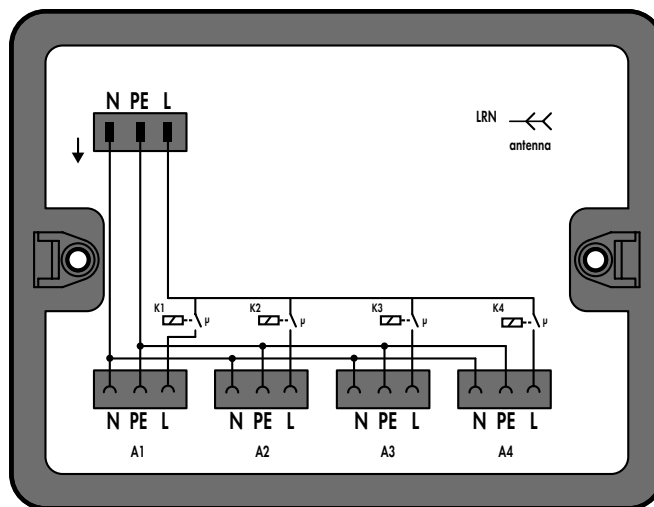
4-Channel Radio Receiver with 4 Make Contacts

1 Input, 4 Outputs, Coding A, WINSTA® MIDI

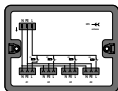
Description:

This **WINSTA®** Distribution Box features a 4-channel radio receiver that switches 4 independent electrical devices. The radio receiver processes telegrams from push-buttons featuring EnOcean radio technology (PTM modules). The outputs are switched via relay contacts.

I_N 16 A / 4 A
250 V / 4 kV / 3



WINSTA®
Distribution Box



Item	Color	Item No.	Pack. Unit
Distribution box, black	●	899-629/101-000	1

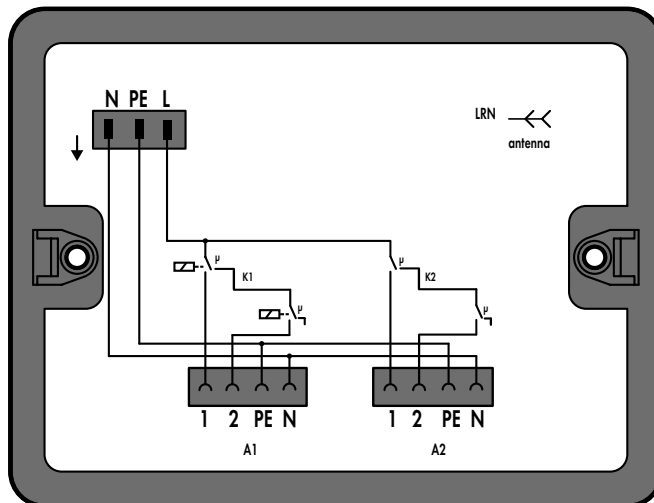
WINSTA® – Distribution Boxes

2-Channel Radio Receiver with Sunblind Outputs

1 Input, 2 Outputs, Coding A, WINSTA® MIDI

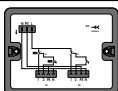
Description:

This **WINSTA®** Distribution Box features a 2 channel radio receiver with two sunblind outputs that can be controlled independently. The radio receiver processes telegrams from push-buttons featuring EnOcean radio technology (PTM modules). The outputs are switched via relay contacts.



I_N 16 A / 4 A
250 V / 4 kV / 3

WINSTA®
Distribution Box



Item	Color	Item No.	Pack. Unit
Distribution box, black	●	899-629/102-000	1

Adapter for **WINSTA®** Distribution Boxes for **WINSTA®** MINI Connectors (890 Series) and for **WINSTA®** MINI special Connectors (890 Series)

Mounting Pins for **WINSTA®** Distribution Boxes for **WINSTA®** MIDI Connectors (770 Series)

Locking levers, tool operated, for **WINSTA®** MINI Connectors (890 Series), for **WINSTA®** MINI special Connectors (890 Series) and **WINSTA®** MIDI Connectors (770 Series)

Mounting plate for **WINSTA®** Distribution Boxes

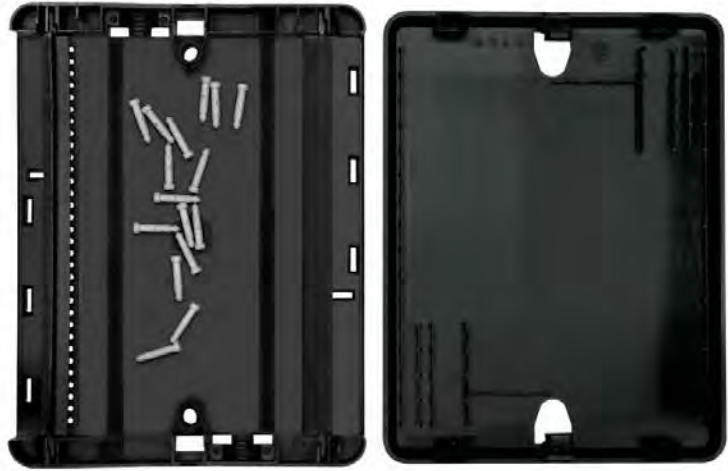


Color	Item No.	Pack. Unit	Color	Item No.	Pack. Unit	Color	Item No.	Pack. Unit
Adapter,			Locking lever,			Mounting plate		
2-pole	890-302	100	tool operated	890-111	100 (2x50)	770-680	25	
gray			black					
3-pole	890-303	100	white	890-131	100 (2x50)			
gray			black					
4-pole	890-304	100	tool operated	770-111	100 (4x25)			
gray			black					
5-pole	890-305	100	white	770-131	100 (4x25)			
gray			black					
Mounting pin						Pan-head screw, M5 x 25 mm,		
gray	770-630	100				secures distribution box to mounting plate not offered by WAGO		

WINSTA® – Distribution Box for Self-Assembly

Description:

This **WINSTA®** Distribution Box is designed for custom assembly/wiring and includes: 1 bottom, 1 lid, 2 sidewalls and 16 MIDI mounting pins.



WINSTA® Distribution Box	Item	Color	Item No.	Pack. Unit
	Distribution box, black	●	899-631	1
	Distribution box, white	○	899-681	1

with DIN 35 Rail for Self-Assembly

Description:

This **WINSTA®** Distribution Box is designed for custom wiring with an electronic module (1 module on DIN 35 rail) and includes: 1 bottom, 1 lid, 1 sidewall, 1 sidewall with DIN 35 rail and 10 MIDI mounting pins.



WINSTA® Distribution Box	Item	Color	Item No.	Pack. Unit
	Distribution box, black	●	899-632	1
	Distribution box, white	○	899-682	1



11



Tools

Operating Tools

278

Cable Cutter, Stripping Tools

279

Stripping Pliers, Cable Cutters, Stripping Knives, Wiring Aid

280



Marking Accessories

Self-Adhesive Marking Strips

281

WINSTA® Operating Tools

Operating tools partially insulated, for WINSTA® MINI Connectors (890 Series) and WINSTA® MIDI Connectors (770 Series)	Operating tools with partially insulated shaft for optimal operation of connectors and IDC modules (772 Series)	
--	---	--



Color	Item No.	Pack. Unit	Color	Item No.	Pack. Unit
Operating tool, 2-pole, for WINSTA® MINI Connectors			Operating tool with partially insulated shaft, type 1, (2.5 x 0.4) mm blade		
green	890-382	1	green	210-719	1
Operating tool, 3-pole, for WINSTA® MINI Connectors			Operating tool with partially insulated shaft, type 2, (3.5 x 0.5) mm blade		
green	890-383	1	green	210-720	1
Operating tool, 4-pole, for WINSTA® MINI Connectors			Operating tool with partially insulated shaft, type 3, (5.5 x 0.8) mm blade		
green	890-384	1	green	210-721	1
Operating tool, 5-pole, for WINSTA® MINI Connectors			Operating tool set with partially insulated shaft, consisting of 210-719, 210-720 and 210-721		
green	890-385	1	green	210-722	1



Color	Item No.	Pack. Unit	Color	Item No.	Pack. Unit
Operating tool, 2-pole, for WINSTA® MIDI Connectors			Operating tool, ① short version, (6.5 x 1.2) mm blade		
green	770-382	1	green	210-635	1
Operating tool, 3-pole, for WINSTA® MIDI Connectors			Operating tool, ② with insulated shaft, (6.5 x 1.2) mm blade		
green	770-383	1	green	210-636	1

WINSTA® Cable Cutter and Wire Strippers

Cable cutter acc. to VDE for copper and aluminum cables up to 35 mm ²	„Quickstrip 10“ wire stripper 0.02–10 mm ² “f-st” (6 mm ² “s”) Cutter for conductors up to 10 mm ² “f-st” (1.5 mm ² “s”)	“Quickstrip 16” wire stripper 4–16 mm ² Cutter for conductors up to 10 mm ² “f-st” (1.5 mm ² “s”)
--	--	--



Color	Item No.	Pack. Unit	Color	Item No.	Pack. Unit	Color	Item No.	Pack. Unit
Cable cutter, for 0.25–35 mm ² cables			“Quickstrip 10” wire stripper, for 0.02–10 mm ² fine-stranded wires for 0.02–6 mm ² solid wires			“Quickstrip 16” wire stripper, for all wire types from 4–6 mm ²		
green	206-118	1	black	206-124	1	black	206-125	1

Accessories

	“Standard” blade cassette, 0.02–10 mm ²		“Standard” blade cassette, 4–16 mm ²
	206-126	1	
	“V” blade cassette 0.02–4 mm ² for PTFE		
	206-127	1	

Application Notes



Cutting a cable.



Stripping a conductor.



Cutting a conductor.

- Automatically adjusts to conductor size
- No damage to conductor strands
- Gripping pressure of jaws automatically adjusts to conductor insulation diameter
- Clamping jaws and stripping blades automatically open once the stripping process is completed, ensuring no damage to the conductor strands
- Exact strip length may be set by sliding red setting stop
- Stripping blades can be replaced
- Self-sharpening, fully protected cutter
- Entire body made of glass fiber-reinforced polyamide

WINSTA® Stripping Pliers, Cable Cutters, Stripping Knives, Wiring Aid

Stripping pliers	Cable cutters	Wiring aid, for 5-pole connectors, distribution connectors with phase selection and IDC supply modules, suitable for solid and stranded conductors Item No. 770-100
------------------	---------------	---



Color	Item No.	Pack. Unit	Color	Item No.	Pack. Unit
Stripping pliers, with insulated handles			Stripping knife		
red	897-931	1	light gray	897-951	1
for flat cables 3 x 2.5 mm ²			for flat cables 5 x 10 mm ²		
red	897-971	1	light gray	897-952	1
for flat cables 2 x 1.5 mm ² 5 x 2.5 mm ² 5 x 4 mm ² 5 x 2.5 mm ² + 2 x 1.5 mm ²			for flat cables 5 x 16 mm ²		

Strip outer insulation, insert cable into the wiring aid and arrange the single conductors according to the marking, starting with N.



Cut conductor ends.



Strip conductor ends 9 mm (see marking).

Color	Item No.	Pack. Unit
Cable cutter, with partially insulated handles		
red	897-970	1
for flat cables 5 x 10 mm ² 5 x 16 mm ²		
red	897-972	1
for flat cables 2 x 1.5 mm ² 3 x 2.5 mm ² 5 x 2.5 mm ² 5 x 4 mm ² 5 x 2.5 mm ² + 2 x 1.5 mm ²		




Slide connector to the stop over conductor ends.

WINSTA® Accessories Mounting Plate, Markers, Marking Strips

Mounting plate for WINSTA® Distribution Boxes	Markers for 3- to 5-pole plugs and sockets WINSTA® MIDI and WINSTA® MIDI special	Marking strips for WINSTA® MIDI strain relief housing
--	--	--



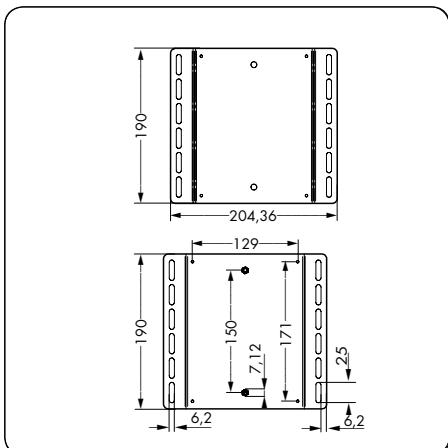
Item No.	Pack. Unit	Color	Item No.	Pack. Unit	Item No.	Pack. Unit
Mounting plate		Marker, for manual marking		Self-adhesive marking strips on DIN A4 cards, 182 mm long, white		
770-680	25	white	770-450	50	210-333	1
		green	770-450/000-001	50	for 770 Series	
		yellow	770-450/000-002	50	Strip height: 6 mm (40 x)	
		red	770-450/000-005	50	Marking area:	
		blue	770-450/000-006	50	Strain relief, 3-pole, 28 x 6.5 mm	
		orange	770-450/000-012	50	Strain relief, 4-pole, 38 x 6.5 mm	
					Strain relief, 5-pole, 48 x 6.5 mm	
					Strain relief, 6-pole, 62 x 6.5 mm	
Pan-head screw, M5 x 25 mm, secures distribution box to mounting plate not offered by WAGO					Marking software: smartMARKING	
					CD-ROM	888-414/101-101 1



Wall-mounted WINSTA® Distribution Box

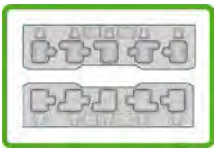


WINSTA® Distribution Connector with markers



Color	Item No.	Pack. Unit
Self-adhesive marking strips on DIN A4 cards, 182 mm long, white		
	210-334	1
for 771 Series		
Strip height: 5 mm (48 x)		
Marking area:		
Strain relief, 3-pole, 22 x 5.2 mm		
Strain relief, 4-pole, 32 x 5.2 mm		
Strain relief, 5-pole, 42 x 5.2 mm		
Marking software: smartMARKING		
CD-ROM	888-414/101-101	1

12



**Coding Overview
 Pole Marking**

284 - 286
 287



Your Questions – Our Answers

288 - 289



Technical Data

290 - 299



Approvals – User Guide

300 - 303



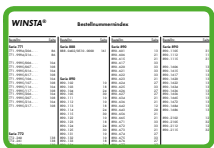
Electrical Engineering Laboratory

304 - 305



Seminars

306 - 307








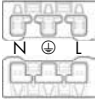
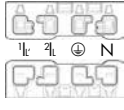
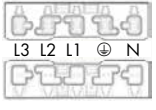
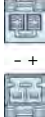
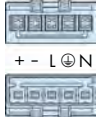

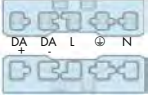

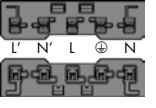






Item Numbers

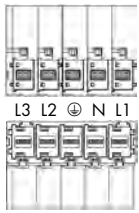

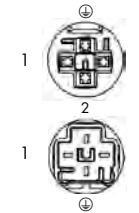
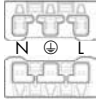
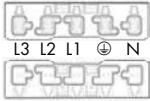
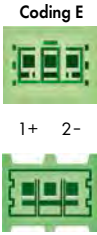
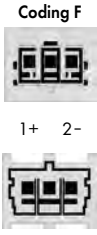


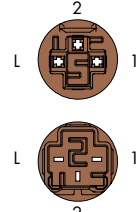
308 - 324




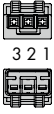


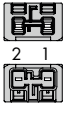
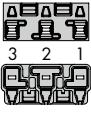
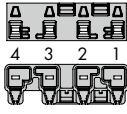
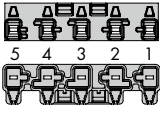




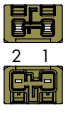
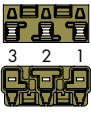
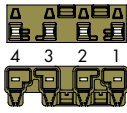
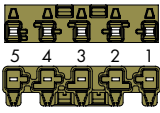




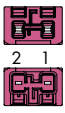
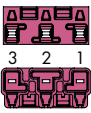
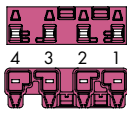
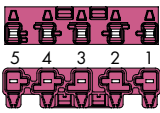
WAGO Worldwide Companies and Representatives

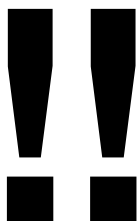
326 - 329

Description	WINSTA® MINI				WINSTA® MIDI			
	2-Pole	3-Pole	4-Pole	5-Pole	2-Pole	3-Pole	4-Pole	5-Pole
Series	890/891	890/891	890/891	890/891	770/771	770/771	770/771	770/771
Coding A black white e.g., general applications	 N L	 N ⊕ L	 1/2 3/4 ⊕ N	 3 2 1 ⊕ N	 N L	 N ⊕ L	 1/2 3/4 ⊕ N	 L3 L2 L1 ⊕ N
Coding E green KNX applications								
Coding F light gray specialty coding								
Coding I blue e.g., dimming	 - +			 + - L ⊕ N	 DA DA			 DA DA L ⊕ N
Coding L dark gray e.g., emergency power supply					 N' L'			 L' N' L ⊕ N
Coding P red e.g., computer applications (UPS)						 N ⊕ L		 L3 L2 L1 ⊕ N
Coding Q green "Clean Earth" applications							 L PE2 PE1 N	 L PE3 PE2 PE1 N
Coding R orange e.g. LON® bus						 S LON LON		
Coding S brown e.g., switching applications						 L 2 1		

Description	WINSTA® MAXI	WINSTA® RD		WINSTA® KNX		WINSTA® IDC	
	5-Pole	3-Pole	4-Pole	2-Pole	2-Pole	3-Pole	5-Pole
Series	831	774	774	893/894	893/894	772	772
Coding A black white e.g., general applications							
Coding E green KNX applications Coding F light gray specialty coding							
Coding I blue e.g., dimming							
Coding L dark gray e.g., emergency power supply							
Coding P red e.g., computer applications (UPS)							
Coding Q green "Clean Earth" applications							
Coding R orange e.g. LON® bus							
Coding S brown e.g., switching applications							

WINSTA® MINI special
WINSTA® MIDI special
Coding B

Description	WINSTA® MINI special				WINSTA® MIDI special / WINSTA® IDC			
	2-Pole	3-Pole	4-Pole	5-Pole	2-Pole	3-Pole	4-Pole	5-Pole
Series	890/891	890/891	890/891	890/891	770/771	770/771/772	770/771	770/771/772
Coding B gray Control and general applications (mains applications 110 - 400 V)	 2 1	 3 2 1	 4 3 2 1	 5 4 3 2 1	 2 1	 3 2 1	 4 3 2 1	 5 4 3 2 1
Coding B light green Control and general applications (low voltages 0 - 48 V)	 2 1	 3 2 1	 4 3 2 1	 5 4 3 2 1	 2 1	 3 2 1	 4 3 2 1	 5 4 3 2 1
Coding B pink Control and general applications (bus applications)	 2 1	 3 2 1	 4 3 2 1	 5 4 3 2 1	 2 1	 3 2 1	 4 3 2 1	 5 4 3 2 1



Important note:

B-Coded components of both *WINSTA®* MINI special and *WINSTA®* MIDI special series are designed for specialty applications (e.g., measurement, control and regulation technology) and certified per DIN EN 61984. In addition to the gray models for 110–400 V voltages, there is now also a variant in light green for low voltages up to 48 V, as well as a pink one for bus applications.

Each of the three versions is available in 2-, 3- or 4- and 5-pole configurations. Pole marking can be printed at the factory to suit customer requirements. According to IEC 61535, B-coded products are protected against mismatching with all other coding types found in the *WINSTA®* system. Within B coding, all special variants can mate with each other. The variable coding system provides clear circuit identification. Special variants can be clearly differentiated according to color and pole marking. They can be coded on-site or delivered with factory-installed custom coding.

WINSTA® MINI special
WINSTA® MIDI special
Pole Marking

Suffix Number	Marking				Application
	2-Pole	3-Pole	4-Pole	5-Pole	
without	1 2	1 2 3	1 2 3 4	1 2 3 4 5	General applications
/060-000	L N	L ⊕ N	N ⊕ ² L ¹ L	N ⊕ L1 L2 L3	Standard network applications 230 V/400 V
/062-000		2 PE 1	3 PE 2 1	N PE 3 2 1	Fan Step switching
/064-000			2L ⊕ 1L L	N ⊕ L 2L 1L	230 V + switched
without	1 2	1 2 3	1 2 3 4	1 2 3 4 5	General applications
/071-000		U+ X/Y U-	U- S U+ X/Y		AI / AO 0-10V
/072-000			U- U+ DI AI		Presence detector incl. light sensor
/073-000		1 ⊕ 2	1 ⊕ 2 3	1 ⊕ 2 3 4	Control signal incl. ground
without	1 2	1 2 3	1 2 3 4	1 2 3 4 5	General applications
/080-000	I+ I-			N ⊕ L I- I+	SMI bus
/081-000		1 2 5	1 2 5 3		MP-Bus
/082-000	+ -	+ S -		N ⊕ L - +	Standard fieldbus applications

Distribution connectors and cable assemblies with above-mentioned pole marking are available upon request.

Item number example:

WINSTA® MIDI special, plug, 4-pole, light green, with U- U+ DI AI pole marking

770-274/072-000

Question 1:

Can WINSTA® be used in low-voltage range applications?

Compliance of the WINSTA® products with the low-voltage directive is contained within the CE approval.

Question 2:

Can I wire the entire electrical installation of a functional building using WINSTA®?

The WINSTA® system allows the entire electrical installation to be wired on both sides of the floor distribution boards.

Question 3:

What needs to be considered for the changeover from NYM cables for permanent installation to pluggable installation using fine-stranded wires?

The changeover area must be fixed properly in order to protect the NYM cable from too high bending stress. In addition, all terminals must be protected against shear and tensile stress.

Question 4:

What needs to be considered when there is a concentration of WINSTA® cables, e.g. in a cable duct?

As a result of the heat build-up, it might be necessary to reduce the current carrying capacity or to increase the cross section from e.g. 2.5 mm² to 4 mm² (14 to 12 AWG).

Question 5:

Where may I use WINSTA® for installation?

Anywhere there is enough space for connectors and cables, e.g. in cable ducts, false floors or plasterboard walls and suspended ceilings. The provisions set out in VDE 0100 must always be observed.

Question 6:

What needs to be considered if there is a cross section reduction?

The minimum conductor cross section must be adapted to the connected load. More protection measures are only required if the cable with the reduced cross section to the connected load is longer than 3m (see VDE 0100, Nov. 1991, Part 430).

Question 7:

Are there distribution boxes with WINSTA® components available?

Yes. WAGO offers a variety of distribution boxes with different functions (e.g., DALI-Bus, KNX applications, sun blind control) ready for connection with WINSTA® Pluggable Connectors.

Question 8:

May I split a three-phase circuit using WINSTA®?

It must be ensured that all three phases can be simultaneously switched off (e.g., via 3-pole safety cutout or circuit breaker). WINSTA® offers several convenient solutions, such as three-phase to single-phase distribution connectors, distribution connectors with phase selection, intermediate couplers from 5 poles to 3 poles and customized distribution boxes.

Question 9:

What safety features does WINSTA® provide when designing different circuits, such as GPS (general power supply), SPS (secure power supply) or UPS (uninterruptible power supply)?

Coding **A** (black/white), **E** (green), **F** (light gray), **I** (blue), **L** (dark gray), **P** (red), **Q** (green), **R** (orange) and **S** (brown) are foolproof to avoid mistaken plugging.

Question 10:

Are there individual marking options for WINSTA® components?

Of course, flexible marking is part of a flexible connector system. This is why WINSTA® also offers custom solutions.

Question 11:

Can I also integrate two relays in a WINSTA® Distribution Box in order to control blind motors?

Yes. It is even possible to integrate up to three 6mm-wide relays into a WINSTA® Distribution Box.

Question 12:

Is the WINSTA® system protected against accidental contact?

All components of the WINSTA® system are protected against accidental contact. This provides maximum safety.

Question 13:

Can two electrical circuits (even those with different voltages) be routed in one connector/cable?

According to VDE 0100 Part 520, this is acceptable when the connector, or all of the wire insulation present in the cable line is rated for the maximum voltage applied.

Question 14:

What needs to be considered for installations in rooms requiring increased fire protection?

In accordance with VDE 0100 Part 482.1.11, H07RN-F cables must be used on account of their greater mechanical strength. ①

Question 15:

Is WINSTA® intended for applications in open or easily accessible areas?

Specialty products are available for such applications (see pages 116 to 119).

Rated voltage: 250 V/4 kV/3 \triangleq IEC 60664 2- and 3-pole
400 V/6 kV/3 \triangleq IEC 60664 4- and 5-pole
Clearances and creepage distances ≥ 5.5 mm
With strain relief ≥ 6.5 mm to accessible surfaces (protection class II)

Rated current: max. 16 A, depending on conductor size

Conductor sizes: 0.25–1 mm² (22–18 AWG), solid, stranded and fine-stranded
1.5 mm² (16 AWG), solid and fine-stranded

Contact resistance: approx. 1 m Ω contact resistance
approx. 0.25 m Ω contact transition plug/socket

Approvals: UL (Depending on end-product standard, it **may** be necessary to use UL-approved cables with AWG cross-section. These cables are available upon request.), CCA technique, IEC 61535, LR, GL, DNV

Protection type: With strain relief housing: IP2xC
(These compact connectors are not designed for use in open, easily accessible areas)

Cable diameter: 2-pole: 3.8–8.2 mm \varnothing
3-pole: 4.5–10.0 mm \varnothing
4-pole: 6.5–10.5 mm \varnothing
5-pole: 6.5–10.5 mm \varnothing

Mating cycles: 200, without resistive load
100, with resistive load $I_N = 16$ A, tested (1.5 mm²/16 AWG)

Mating and unmating forces: Mating force: approx. 20–70 N (depending on number of poles)
(socket and plug) Unmating force when unlocked: approx. 20–70 N (depending on number of poles)
Retention force when locked: > 80 N

Protection against mismatching: All WINSTA® components are 100% protected against mismatching in terms of:
a.) plugging different number of poles
b.) plugging when turned by 180°
c.) plugging when laterally staggered
d.) plugging one pole

Locking levers: All connectors for fixed installations (snap-in versions for lighting fixtures, devices or all types of PCBs and distribution cabinets) are factory-equipped with locking levers to ensure plugs and sockets are securely locked. Additional locking levers are only required for "flying leads" (plug/socket).

Materials: Connector material
Insulating parts: Polyamide 6.6 V0, halogen-free (except cable)
Contacts: Copper or copper alloy, surface-treated
Clamping spring: Stainless steel (Cr-Ni)

Processing temperature: –5°C to +40°C

Continuous operating temperature: –35°C to ≤ 85 °C
PVC cable for temperatures ≤ 70 °C (including halogen-free)
Insulating parts for temperatures ≤ 105 °C

General: First make/last break ground contacts

Fire load: upon request

Rated voltage: 250 V/4 kV/3 \triangleq IEC 60664 2- and 3-pole
400 V/6 kV/3 \triangleq IEC 60664 4-pole
Clearances and creepage distances ≥ 5.5 mm
With strain relief ≥ 6.5 mm to accessible surfaces (protection class II)

Rated current: max. 16 A, depending on conductor size

Conductor sizes: 0.25–1 mm² (22–18 AWG, solid, stranded and fine-stranded)
1.5 mm² (16 AWG), solid and fine-stranded

Contact resistance: approx. 1 m Ω contact resistance
approx. 0.25 m Ω contact transition plug/socket

Approvals: UL (Depending on end-product standard, it **may** be necessary to use UL-approved cables with AWG cross-section. These cables are available upon request.), CCA technique, IEC 61984, LR, GL, DNV

Protection type: With strain relief housing: IP2xC
(These compact connectors are not designed for use in open, easily accessible areas)

Cable diameter: 2-pole: 3.8–8.2 mm \varnothing
3-pole: 4.5–10.0 mm \varnothing
4-pole: 6.5–10.5 mm \varnothing
5-pole: 6.5–10.5 mm \varnothing

Mating cycles: 200, without resistive load
100, with resistive load $I_N = 16$ A, tested (1.5 mm²/16 AWG)

Mating and unmating forces: Mating force: approx. 20–70 N (depending on number of poles)
(socket and plug) Unmating force when unlocked: approx. 20–70 N (depending on number of poles)
Retention force when locked: > 80 N

Locking levers: All connectors for fixed installations (snap-in versions for lighting fixtures, devices or all types of PCBs and distribution cabinets) are factory-equipped with locking levers to ensure plugs and sockets are securely locked. Additional locking levers are only required for “flying leads” (plug/socket).

Materials: Connector material
Insulating parts: Polyamide 6.6 V0, halogen-free (except cable)
Contacts: Copper or copper alloy, surface-treated
Clamping spring: Stainless steel (Cr-Ni)

Processing temperature: –5 °C to +40 °C

Continuous operating temperature: –35 °C to \leq 85 °C
PVC cable for temperatures \leq 70 °C (including halogen-free)
Insulating parts for temperatures \leq 105 °C

General: First make/last break ground contacts

Fire load: upon request

Rated voltage:

250 V/4 kV/3 \triangleq IEC 60664 2- and 3-pole
400 V/6 kV/3 \triangleq IEC 60664 4- and 5-pole
Clearance and creepage distances ≥ 5.5 mm to exposed surfaces

Rated current:

max. 25 A, depending on conductor size

Conductor sizes:

0.5–2.5 mm² (20–14 AWG), solid, stranded and fine-stranded
4 mm² (12 AWG), solid and fine-stranded

Contact resistance:

approx. 1 m Ω contact resistance
approx. 0.25 m Ω contact transition plug/socket

Approvals:

UL (Depending on end-product standard, it **may** be necessary to use UL-approved cables with AWG cross-section. These cables are available upon request.), CCA technique, IEC 61535, LR, GL, DNV
Linect®: IEC 61984
Specialty products for use in easily accessible areas are available (see pages 116 to 119). These products meet IP 2XD protection class.

Protection type:

With strain relief housing: IP2xC
(These compact connectors are not designed for use in open, easily accessible areas)

Cable diameter:

2-pole: 5–9 mm \varnothing , 7–10.5 mm \varnothing
3-pole: 4.5–8 mm \varnothing , 8–11.5 mm \varnothing , 9–13 mm \varnothing
4-pole: 9–13 mm \varnothing
5-pole: 5–9 mm \varnothing , 9–13 mm \varnothing , 11.5–16.5 mm \varnothing
6-pole: 8.5–13.5 mm \varnothing
7-pole: 8–15 mm \varnothing

Mating cycles:

200, without resistive load
100, with resistive load $I_N = 25$ A, tested (4 mm²/12 AWG)

Mating and unmating forces:
(socket and plug)

Mating force: approx. 20–70 N (depending on number of poles)
Unmating force when unlocked: approx. 20–70 N (depending on number of poles)
Retention force when locked: > 80 N

Protection against mismatching:

All WINSTA® components are 100% protected against mismatching in terms of:
a.) plugging different number of poles
b.) plugging when turned by 180°
c.) plugging when laterally staggered
d.) plugging one pole

Locking levers:

All connectors for fixed installations (snap-in versions for lighting fixtures, devices or all types of PCBs and distribution cabinets) are factory-equipped with locking levers to ensure plugs and sockets are securely locked. Additional locking levers are only required for "flying leads" (plug/socket).

Materials:

Connector material
Insulating parts: Polyamide 6.6 V0, halogen-free (except cable)
Contacts: Copper or copper alloy, surface-treated
Clamping spring: Stainless steel (Cr-Ni)

Processing temperature:

–5°C to +40°C

Continuous operating temperature:

–35°C to \leq 85°C
PVC cable for temperatures \leq 70 °C (including halogen-free)
Insulating parts for temperatures \leq 105 °C

General:

First make/last break ground contacts

Fire load:

upon request

Rated voltage:	250 V/4 kV/3 \triangleq IEC 60664 2- and 3-pole 400 V/6 kV/3 \triangleq IEC 60664 4- and 5-pole Clearance and creepage distances \geq 5.5 mm to exposed surfaces
Rated current:	max. 25 A, depending on conductor size
Conductor sizes:	0.5-2.5 mm ² (20-14 AWG), solid, stranded and fine-stranded 4 mm ² (12 AWG), solid and fine-stranded
Contact resistance:	approx. 1 m Ω contact resistance approx. 0.25 m Ω contact transition plug/socket
Approvals:	UL (Depending on end-product standard, it may be necessary to use UL-approved cables with AWG cross-section. These cables are available upon request.), CCA technique, IEC 61984, LR, GL, DNV Strain relief housings for use in easily accessible areas are available (see page 117). These products meet IP 2XD protection class.
Protection type:	With strain relief housing: IP2xC (These compact connectors are not designed for use in open, easily accessible areas)
Cable diameter:	2-pole: 5-9 mm \varnothing , 7-10.5 mm \varnothing 3-pole: 4.5-8 mm \varnothing , 8-11.5 mm \varnothing , 9-13 mm \varnothing 4-pole: 9-13 mm \varnothing 5-pole: 5-9 mm \varnothing , 9-13 mm \varnothing , 11.5-16.5 mm \varnothing 6-pole: 8.5-13.5 mm \varnothing 7-pole: 8-15 mm \varnothing
Mating cycles:	200, without resistive load 100, with resistive load $I_N = 25$ A, tested (4 mm ² /12 AWG)
Mating and unmating forces: (socket and plug)	Mating force: approx. 20-70 N (depending on number of poles) Unmating force when unlocked: approx. 20-70 N (depending on number of poles) Retention force when locked: > 80 N
Locking levers:	All connectors for fixed installations (snap-in versions for lighting fixtures, devices or all types of PCBs and distribution cabinets) are factory-equipped with locking levers to ensure plugs and sockets are securely locked. Additional locking levers are only required for "flying leads" (plug/socket).
Materials:	Connector material Insulating parts: Polyamide 6.6 V0, halogen-free (except cable) Contacts: Copper or copper alloy, surface-treated Clamping spring: Stainless steel (Cr-Ni)
Processing temperature:	-5°C to +40°C
Continuous operating temperature:	-35°C to \leq 85°C PVC cable for temperatures \leq 70 °C (including halogen-free) Insulating parts for temperatures \leq 105 °C
General:	First make/last break ground contacts
Fire load:	upon request

Rated voltage:	400 V/6 kV/3 \triangle IEC 60664 Clearance and creepage distances ≥ 5.5 mm to exposed surfaces (Protection Category II)
Rated current:	max. 35 A, depending on conductor size
Conductor sizes:	0.5–4 mm ² (20–12 AWG), solid, stranded and fine-stranded 6 mm ² (10 AWG), solid and fine-stranded
Contact resistance:	approx. 1 m Ω contact resistance approx. 0.25 m Ω contact transition plug/socket
Approvals:	UL, CCA certificate
Protection type:	With strain relief housing: IP2xC (These compact connectors are not designed for use in open, easily accessible areas)
Cable diameter:	5-pole: 13–18 mm \varnothing
Mating cycles:	100, without resistive load 50, with resistive load $I_N = 35$ A, tested (6 mm ² /10 AWG)
Mating and unmating forces: (socket and plug)	Mating force: approx. 30–70 N (depending on number of poles) Unmating force when unlocked: approx. 30–70 N (depending on number of poles) Retention force when locked: > 80 N
Protection against mismatching:	All WINSTA® components are 100% protected against mismatching in terms of: a.) plugging different number of poles b.) plugging when turned by 180° c.) plugging when laterally staggered d.) plugging one pole
Locking levers:	Sockets are factory-equipped with locking levers to ensure plugs and sockets are securely locked.
Materials:	Connector material Insulating parts: Polyamide 6.6 V0, halogen-free (except cable) Contacts: Copper or copper alloy, surface-treated Clamping spring: Stainless steel (Cr-Ni)
Processing temperature:	–5°C to +40°C
Continuous operating temperature:	–35°C to $\leq 85^\circ\text{C}$ PVC cable for temperatures $\leq 70^\circ\text{C}$ (including halogen-free) Insulating parts for temperatures $\leq 105^\circ\text{C}$
General:	First make/last break ground contacts
Fire load:	upon request

Rated voltage:	250 V/4 kV/3 \triangle IEC 60664 Clearance and creepage distances ≥ 5.5 mm to exposed surfaces (Protection Category II)
Rated current:	max. 20 A, depending on conductor size
Conductor sizes:	1.5–2.5 mm ² (16–14 AWG), fine-stranded
Contact resistance:	approx. 1 m Ω contact resistance approx. 0.25 m Ω contact transition plug/socket
Approvals:	CCA certificate
Protection type:	With strain relief housing: IP2xC (These compact connectors are not designed for use in open, easily accessible areas)
Cable diameter:	3 x 1.5 mm ² (16 AWG), 8.2 mm \varnothing (fixed) 3 x 2.5 mm ² (14 AWG), 10 mm \varnothing 4 x 1.5 mm ² (16 AWG), 9.2 mm \varnothing
Mating cycles:	200, without resistive load 100, with resistive load $I_N = 20$ A, tested (2.5 mm ² /14 AWG)
Mating and unmating forces: (socket and plug)	Mating force: approx. 30–70 N (depending on number of poles) Unmating force when unlocked: approx. 30–70 N (depending on number of poles) Retention force when locked: > 80 N
Protection against mismatching:	All WINSTA® components are 100% protected against mismatching in terms of: a.) plugging different number of poles b.) plugging when turned by 180° c.) plugging when laterally staggered
Locking levers:	Sockets are factory-equipped with locking levers.
Materials:	Connector material Insulating parts: Polyamide 6.6 V0, halogen-free (except cable) Contacts: Copper or copper alloy, surface-treated Clamping spring: Stainless steel (Cr-Ni)
Processing temperature:	-5°C to +40°C
Continuous operating temperature:	-35°C to ≤ 85 °C PVC cable for temperatures ≤ 70 °C (including halogen-free) Insulating parts for temperatures ≤ 105 °C
General:	First make/last break ground contacts
Fire load:	upon request

Rated voltage:	50 V/0.8 kV/3 Clearances and creepage distances ≥ 5.5 mm
Rated current:	3 A
Conductor sizes:	0.5 mm ² (20 AWG), solid
Contact resistance:	approx. 3 m Ω contact resistance
Approvals:	EIB/KNX manual
Protection type:	IP20, with strain relief housing (These compact connectors are not designed for use in open, easily accessible areas)
Cable diameter:	5–7 mm \varnothing
Mating cycles:	200
Mating and unmating forces: (socket and plug)	Mating force: approx. 10–15 N Unmating force when unlocked: approx. 15–20 N
Materials:	Connector material Insulating parts: Polyamide 6.6 V0, halogen-free (except cable) Contacts: Copper alloy, surface-treated
Processing temperature:	–5 °C to +40 °C
Continuous operating temperature:	–35 °C to ≤ 85 °C PVC cable for temperatures ≤ 70 °C (including halogen-free) Insulating parts for temperatures ≤ 105 °C
Fire load:	upon request

Rated voltage: 250 V/4 kV/3 \triangle IEC 60664 3-pole
400 V/6 kV/3 \triangle IEC 60664 5-pole
Clearances and creepage distances \geq 5.5mm

Rated current: max. 25 A, depending on conductor size

Conductor sizes: 0.5-2.5 mm² (20-14 AWG), solid, stranded and fine-stranded
4 mm² (12 AWG), solid and fine-stranded

Contact resistance: approx. 1 m Ω contact resistance
approx. 0.25 m Ω contact transition plug/socket

Approvals: UL, CCA certificate

Protection type: IP20, with strain relief housing
(These compact connectors are not designed for use in open, easily accessible areas)

Cable diameter: 5-pole strain relief, 8-13 mm \varnothing
5-pole strain relief, 11.5-16.5 mm \varnothing

Mating cycles: 200, without resistive load
100, with resistive load $I_N = 25$ A, tested (4 mm²/12 AWG)

Mating and unmating forces:
(socket and plug) Mating force: approx. 30-70 N (depending on number of poles)
Unmating force when unlocked: approx. 30-70 N (depending on number of poles)
Retention force when locked: > 80 N

Protection against mismatching: All WINSTA® components are 100% protected against mismatching in terms of:
a.) plugging different number of poles
b.) plugging when turned by 180°
c.) plugging when laterally staggered
d.) plugging one pole

Locking levers: All versions are factory-equipped with locking levers to ensure plugs and sockets are securely locked.

Materials: Connector material
Insulating parts: Polyamide 6.6 V0, halogen-free (except cable)
Contacts: Copper or copper alloy, surface-treated
Clamping spring: Stainless steel (Cr-Ni)







Continuous operating temperature: -35°C to \leq 85°C
PVC cable for temperatures \leq 70°C (including halogen-free)
PVC flat cable for temperatures -15°C to \leq 70°C (including halogen-free)
Insulating parts for temperatures \leq 105°C













General: First make/last break ground contacts

Fire load: upon request



International Certification Organizations – Overview

	Abbreviation for online search		Abbreviation for online search
 Underwriters Laboratories USA http://www.ul.com	UL	 Danmarks Elektriske Materielkontrol Dänemark http://www.demko.dk	DEMKO
 Underwriters Laboratories USA http://www.ul.com	UL	CENELEC CERTIFICATION AGREEMENT	
 Underwriters Laboratories USA http://www.ul.com	cURus	 CCA Danmarks Elektriske Materielkontrol Dänemark http://www.cenelec.org	CCA Zul.-Nr. mit DK
 Underwriters Laboratories USA http://www.ul.com	cULus	 SETI – FEMKO Sähkötarkastuskeskus Elinspektionscentralen Finnland http://www.seti.fi	
 Canadian Standards Association Kanada http://www.csa.ca	CSA	 Sähkötarkastuskeskus Elinspektionscentralen Finnland http://www.fimko.com	FIMKO
 VDE-Gutachten mit Fertigungsüberwachung Bundesrepublik Deutschland http://www.vde.de/vde/html/e/home.htm	VDE	SABS South African Bureau of Standards Süd-Afrika http://www.sabs.co.za	SABS
 VDE – Deutscher Verband für Elektrotechnik Bundesrepublik Deutschland http://www.vde.de		 RosTest Russland http://www.rostest.ru	ROSTEST
VDE VDE – Prüfbericht Bundesrepublik Deutschland		 Departamentul Moldovastandard Moldawien http://www.moldova.md/ro/government/oll/D_STAND/en/strcent2.htm	CSM
 Österreichischer Verband für Elektrotechnik Österreich http://www.ove.at	ÖVE	 Certificate of Registration Großbritannien http://www.astacertification.com	ASTA
 Schweizerischer Elektrotechnischer Verein Schweiz http://www.sev.ch/	SEV	 Rheinisch-Westfälischer Technischer Überwachungsverein e.V. Bundesrepublik Deutschland http://www.rwtuv.de	RWTÜV
 N.V. tot Keuring van Elektrotechnische Materialen Niederlande http://www.kema.nl	KEMA	 Elektrotechnick ý v ýskumn ý a projektov ý ústav Tschechien http://www.ezu.cz	EZU
CENELEC CERTIFICATION AGREEMENT		 Stowarzyszenie Elektrykow Polskich Polen http://www.bbj.pl	BBJ
 N.V. tot Keuring van Elektrotechnische Materialen Niederlande http://www.cenelec.org	CCA Zul.-Nr. mit NL	 Stowarzyszenie Elektrykow Polskich Polen http://www.sep.com.pl	SEP
 Norges Elektriske Materialkontroll Norwegen http://express.nemko.com	NEMKO		
 Svenska Elektriska Materielkontrollanstalten AB Schweden http://www.semko.com	SEMKO		

	Abbreviation for online search		Abbreviation for online search	
CNET Centre National d'Etudes des Télécommunications Frankreich http://www.lannion.cnet.fr	CNET	 Ex	Robbanásbiztos Villamos Berendezések Ungarn http://www.bki.hu	BKI
LCIE Laboratoire Central des Industries Electriques Frankreich http://www.lcie.fr	LCIE	CB	CB – TEST CERTIFICATE Indien http://www.ul-europe.com	CB
 Fyzikálne Technick ý Zkusební Ústav, Ostrava-Radvanice Tschechien http://www.ftzu.cz	FTZU	CB	CB – TEST CERTIFICATE China http://www.ul-europe.com	CB
			UL-International Demko A/S Dänemark http://www.ul-europe.com	ENEC
Shipbuilding approvals		Ex approvals		
 Germanischer Lloyd Bundesrepublik Deutschland http://www.gl-group.com	GL		Physikalisch Technische Bundesanstalt Bundesrepublik Deutschland Ex e II http://www.ptb.de	PTB
BV Bureau Veritas Frankreich http://www.bureauveritas.fr	BV		Underwriters Laboratories USA http://www.ul.com	cURus-EX
 Lloyd's Register of Shipping Großbritannien http://www.lloydsregister.com	LR		N.V. tot Keuring van Elektrotechnische Materialen Niederlande http://www.kemaquality.com	KEMA-EX
 NV – Det Norske Veritas Norwegen http://www.dnv.com	DNV	GOSENERGO-Ex GOSENERGONADZOR Russland		GOSENERGO-EX
 Russian Maritime Register of Shipping GUS http://www.rs-head.spb.ru	RMR		Fyzikálne Technick ý Zkusební Ústav, Ostrava-Radvanice Tschechien http://www.ftzu.cz	FTZU
 Polski Rejestr Statków Polen http://www.prs.pl	PRS	 Ex	Robbanásbiztos Villamos Berendezések Ungarn http://www.bki.hu	BKI-EX
 Korean Register of Shipping Korea http://www.krs.co.kr	KR	ABS		
ABS American Bureau of Shipping USA http://www.eagle.org	ABS			

Approvals – User Guide

Updated approvals can be found at www.wago.com



1: Select "Country" ①



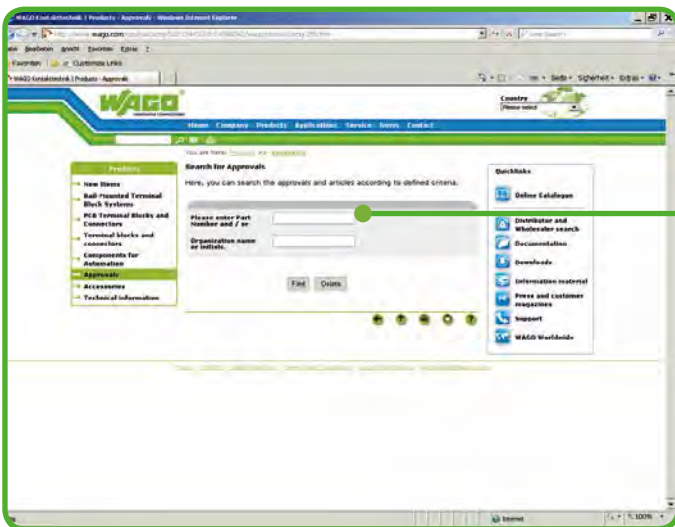
e.g., United Kingdom



2: Select "Products"



Select "Approvals"

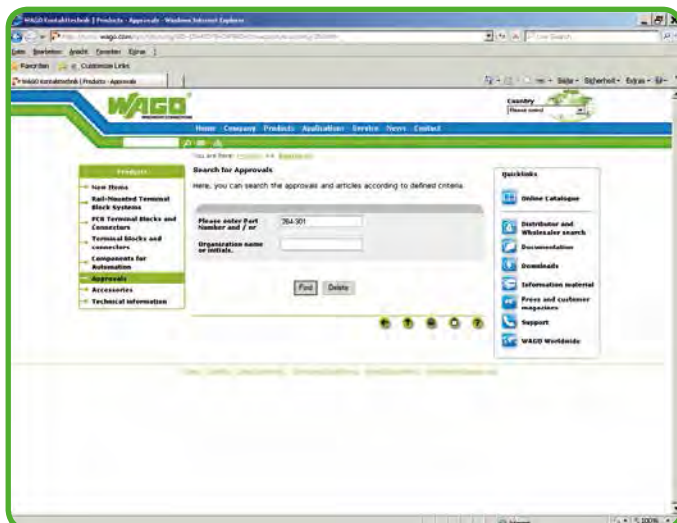


3: "Search for Approvals"



Here, you can search the approvals and items according to defined criteria.

① Step 1 is only required if the country has not been detected automatically.



• 4: Entry Options

a) Item Number
e.g., 264-301

b) Certification Agency
e.g., "UL"

c) Certification Agency and
Item Number Range; e.g.,
"280 - 6" and "UR"

Part Number	Organization	Approval No.	Voltage [V]	Current [A]	Wire Size [mm ²]
264-301	ABS	04-HG476174/1-PDA	800	24	2,5
264-301	BV	07436/C0			0,08-2,5
264-301	CCA	NL6511	800	24	2,5
264-301	CSA	18677-23	600	20	26-12
264-301	DNV	E-9215	800	24	2,5
264-301	GL	17295-00HH	800	24	2,5
264-301	KR	HMB05880-EL002	800	24	
264-301	LR	92/20242(E5)	800	24	2,5
264-301	RMR	11130002	800	24	2,5
264-301	UR	E45172	600/600	20/20	28-12

Search Result a)
Item Number:

All approvals related to that product will be displayed.

Part Number	Organization	Approval No.	Voltage [V]	Current [A]	Wire Size [mm ²]
222-412	UL	E69654	600	20	28-12"s"/str"
222-413	UL	E69654	600	20	28-12"s"/str"
222-415	UL	E69654	600	20	28-12"s"/str"
224-101	UL	E69654	300	20	14-12"s"/20-16"s"/str"
224-104	UL	E69654	300	20	14-12"s"/20-16"s"/str"
224-112	UL	E69654	300	20	18-16"s"/20-16"s"/str"
224-114	UL	E69654	300	20	18-16"s"/20-16"s"/str"
224-201	UL	E69654	300	20	20-16
273-100	UL	E69654	600	20	20-16"s"
273-101	UL	E69654	600	20	20-16"s"

Search Result b)
Certification Agency:

All products approved by that agency will be displayed.

Part Number	Organization	Approval No.	Voltage [V]	Current [A]	Wire Size [mm ²]
280-601	UR	E45172	600/600	20/20	28-12
280-602	UR	E45172	600/600	20/20	28-12
280-603	UR	E45172	600/600	20/30	28-12
280-604	UR	E45172	300/300	15/15	28-12
280-606	UR	E45172	300/300	10/10	28-12
280-607	UR	E45172			28-12
280-610	UR	E45172	300/300	10/10	28-12
280-612	UR	E45172	300/300	15/15	28-12
280-616	UR	E45172	300/300	10/10	28-12
280-621	UR	E45172	300/300	15/15	28-12

Search Result c)
Certification Agency and Item Numbers:

The whole range of products approved by that agency will be displayed.

Electrical Engineering Laboratory: Product Safety for Our Customers

The WAGO laboratory in Minden is an “accredited test lab for electrical and mechanical tests on terminal blocks and connectors, as well as for environment simulations.”

Accreditation, as ISO/IEC 17011:2004 defines, is a third party-attestation related to a conformity assessment body conveying formal demonstration of its competence to carry out specific conformity assessment tasks.

Accreditation, according to DIN EN ISO/IEC 17025, is granted by the Deutsche Akkreditierungsstelle GmbH DAkkS (German Accreditation Office GmbH DAkkS). This national accreditation office, which was established by the German Federal Ministry for Economics and Technology (BMWi), certifies that our test laboratory is officially recognized as possessing the necessary expertise to conduct defined tests and types of tests independently and objectively.

Through obtaining the accreditation, the following objectives were achieved:

- Customer requirements
- Workflow optimization
- Clearly defined processes
- Clear organization and structure
- Greater transparency
- Consistent, high-quality laboratory testing
- Maximum traceability
- Traceable measurement results
- Sustainable quality awareness



• Visitor center



• Conductor retention force testing

• High-voltage test



• Vibration- and shock-resistance testing



 **DGA Deutsche Gesellschaft für Akkreditierung mbH**
Unterzeichner der Multilateralen Abkommen von
EA und ILAC zur gegenseitigen Anerkennung
vertreten im

Deutschen Akkreditierungsrat



Akkreditierung

Die **DGA Deutsche Gesellschaft für Akkreditierung mbH** bestätigt hiermit, dass das
Prüflaboratorium

WAGO Kontakttechnik GmbH & Co. KG
Hansastraße 27
D-32423 Minden / Germany

die Kompetenz nach DIN EN ISO/IEC 17025 besitzt, Prüfungen in den Bereichen

**Elektrische und mechanische Prüfungen an Klemmen und Steckverbinder
sowie Umweltsimulation**

auszuführen. Die Anlage ist Bestandteil der Urkunde und besteht aus 6 Seiten.
Die Akkreditierung ist gültig vom **2009-12-22** bis **2014-12-21**.
DAR- Registriernummer: **DGA-PL-302/09-00**

Frankfurt, 2009-12-22


Dipl.-Ing. (FH) Ralf Egner
Leiter der Abteilung Elektrotechnik/IT

Mitglied in EA, ILAC, IAF

Siehe Hinweise auf der Rückseite

WAGO Seminars – Learn Today

Benefit Tomorrow



Innovative ideas and advanced technology are the driving forces behind the development and creation of WAGO's market-leading products.

Maximize the benefits of WAGO products **through optimal application knowledge** gained at WAGO training seminars. The skills and expertise gained in our effective, user-oriented presentations will save you time and help you use our products to their fullest capacity.



Setting the Bar with Your Goals

Product-related and customer-specific training seminars



Small Groups

No question goes unanswered and no one is overlooked in WAGO training courses made up of small groups.



Teamwork

Learning is effective in a group. Ideas can be discussed and exchanged while experiences can be shared – all for the benefit of the participants.



Practical Topics

Experience has shown that – practice makes perfect. The focus of every WAGO training seminar is on practical, hands-on learning.

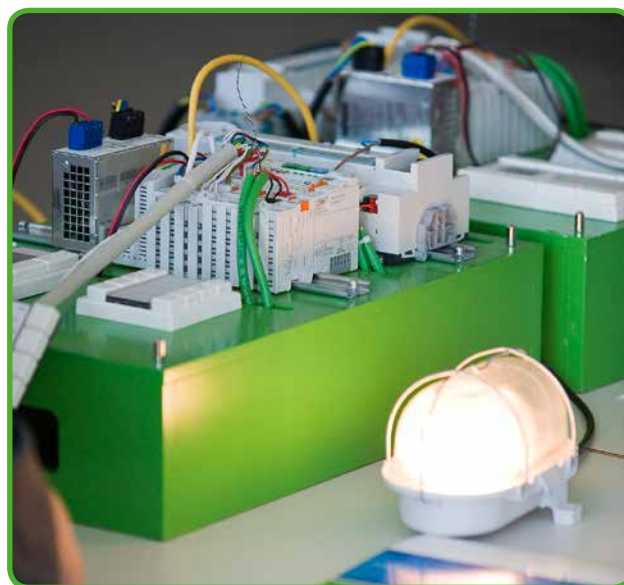
WAGO Seminars – Experience the benefits of first-hand knowledge and expertise – straight from the source!

Your instructor is a specialist and knows all the ins and outs of the topic. Carefully developed, each WAGO training seminar ensures that every minute spent is an effective investment of your expertise.

Request your registration form by e-mail:

training@wago.com

**Contact Your Local
WAGO Company.**



Product-Related Seminars

We regularly offer product-related training courses on the following:

- Building and industrial automation
- Programming of automation components
- Fieldbus systems

Current seminars at:
www.wago.com/seminare

Customer-Specific Training Seminars

In addition to these “open” seminars, we also offer customer-specific courses as company seminars to address your company’s particular needs.

Upon request, we can also conduct these courses at your location.

*Special
company seminars*

WINSTA®
Item Number Index

Item No.	Page	Item No.	Page	Item No.	Page	Item No.	Page
206 Series		770 Series		770 Series		770 Series	
206-118	279	770-252	163	770-450/000-002	281	770-674	129
206-124	279	770-252/060-000	163	770-450/000-005	281	770-675	144
206-125	279	770-253	168	770-450/000-006	281	770-676	128
206-126	279	770-253/060-000	168	770-450/000-012	281	770-677	128
206-127	279	770-253/062-000	168			770-680	281
206-128	279	770-254	176	770-502/041-000	84	770-683	105
		770-254/060-000	176	770-502/041-000	163	770-684	105
		770-254/062-000	176	770-502/042-000	84	770-685	105
		770-254/064-000	176	770-503	96	770-686	105
210 Series		770-255	184	770-503/021-000	97	770-687	108
210-333	281	770-255/060-000	184	770-503/023-000	96	770-688	108
210-334	281	770-255/062-000	184	770-503/032-000	97	770-690	145
		770-255/064-000	184	770-503/035-000	97	770-693	38
210-635	278	770-262	163	770-503/038-000	117	770-694	124
210-636	278	770-263	168	770-504	122	770-695	138
		770-263/071-000	168	770-504/023-000	122		
210-719	278	770-263/073-000	168	770-505	136	770-703	98
210-720	278	770-264	176	770-505/021-000	137	770-703/009-000	98
210-721	278	770-264/071-000	176	770-505/023-000	136	770-704	124
210-722	278	770-264/072-000	176	770-505/023-000	184	770-704/009-000	124
		770-264/073-000	176	770-506/029-000	158	770-705	138
770 Series		770-265	184	770-507/047-000	159	770-705/009-000	138
770-100	280	770-265/073-000	184	770-512/041-000	84	770-713	99
770-101	82	770-272	163	770-512/042-000	84	770-713/007-000	99
770-102/041-000	82	770-273	168	770-513	96	770-714	125
770-103	94	770-273/071-000	168	770-513/021-000	97	770-714/007-000	125
770-104	120	770-273/073-000	168	770-513/023-000	96	770-715	139
770-105	132	770-274	176	770-513/032-000	97	770-715/007-000	139
770-111	82	770-274/071-000	176	770-513/035-000	97	770-723	98
770-112/041-000	82	770-274/072-000	176	770-513/038-000	117	770-723/009-000	98
770-113	94	770-274/073-000	176	770-514	122	770-724	124
770-113/147-000	109	770-275	184	770-514/023-000	122	770-724/009-000	124
770-114	120	770-275/073-000	184	770-515	136	770-725	138
770-115	132	770-282	163	770-515/021-000	137	770-725/009-000	138
770-121	82	770-282/080-000	163	770-515/023-000	136	770-733	99
770-122/041-000	82	770-282/082-000	163	770-516/029-000	158	770-733/007-000	99
770-123	94	770-283	168	770-517/047-000	159	770-734	125
770-124	120	770-283/081-000	168	770-523	96	770-734/007-000	125
770-125	132	770-283/082-000	168			770-735	139
770-131	82	770-284	176	770-601	87	770-735/007-000	139
770-132/041-000	82	770-284/081-000	176	770-603	105	770-743	169
770-133	94	770-285	184	770-605	143	770-743/060-000	169
770-134	120	770-285/080-000	184	770-606	104	770-743/062-000	169
770-135	132	770-285/082-000	184	770-607	106	770-744	177
770-140	85	770-292	163	770-608	106	770-744/060-000	177
		770-292/080-000	163	770-609	144	770-744/062-000	177
770-201	80	770-292/082-000	163	770-611	146	770-744/064-000	177
770-202	83	770-293	168	770-615	104	770-745	185
770-203	95	770-293/081-000	168	770-617	142	770-745/060-000	185
770-203/035-000	94	770-293/082-000	168	770-618	144	770-745/062-000	185
770-204	121	770-294	176	770-619	143	770-745/064-000	185
770-205	133	770-294/081-000	176	770-620	142	770-7502	80
770-212	83	770-295	184	770-621	142	770-7505	81
770-213	95	770-295/080-000	184	770-622	142	770-753	169
770-213/002-000	100	770-295/082-000	184	770-623	105	770-753/060-000	169
770-213/035-000	94			770-624	129	770-753/062-000	169
770-214	121	770-305	134	770-625	144	770-754	177
770-215	133	770-315	134	770-626	128	770-754/060-000	177
770-221	80	770-317	85	770-627	128	770-754/062-000	177
770-222	83	770-318	99	770-630	274	770-754/064-000	177
770-223	95	770-320	139	770-633	105	770-755	185
770-223/035-050	94	770-321	139	770-634	105	770-755/060-000	185
770-224	121	770-325	134	770-635	105	770-755/062-000	185
770-225	133	770-335	134	770-636	105	770-755/064-000	185
770-232	83	770-337	85	770-637	108	770-763	169
770-233	95	770-338	99	770-638	108	770-763/071-000	169
770-233/002-000	100	770-340	139	770-640	145	770-763/073-000	169
770-233/035-050	94	770-341	139	770-643	38	770-764	177
770-234	121	770-360	80	770-644	124	770-764/071-000	177
770-235	133	770-382	278	770-645	138	770-764/072-000	177
770-242	163	770-383	278	770-653	105	770-764/073-000	177
770-242/060-000	163			770-655	143	770-765	185
770-243	168	770-401	80	770-656	104	770-765/073-000	185
770-243/060-000	168	770-405	135	770-657	106	770-773	169
770-243/062-000	168	770-408	101	770-658	106	770-773/071-000	169
770-244	176	770-415	135	770-659	144	770-773/073-000	169
770-244/060-000	176	770-418	101	770-661	146	770-774	177
770-244/062-000	176	770-425	135	770-665	104	770-774/071-000	177
770-244/064-000	176	770-428	101	770-667	104	770-774/072-000	177
770-245	184	770-435	135	770-670	104	770-774/073-000	177
770-245/060-000	184	770-438	101	770-671	142	770-775	185
770-245/062-000	184	770-450	281	770-672	142	770-775/073-000	185
770-245/064-000	184	770-450/000-001	281	770-673	105	770-783	169

Item No.	Page	Item No.	Page	Item No.	Page	Item No.	Page
770 Series		770 Series		770 Series		771 Series	
770-783/081-000	169	770-912	143	770-1714	173	771-5001/165-000	198
770-783/082-000	169	770-913	143	770-1715	173	771-5001/166-000	198
770-784	177	770-921	142	770-1716	173	771-5001/167-000	198
770-784/081-000	177	770-922	142	770-1731	180	771-5001/168-000	198
770-785	185	770-934	105	770-1732	180	771-5001/169-000	198
770-785/080-000	185	770-936	105	770-1733	180	771-5001/170-000	198
770-785/082-000	185	770-940	145	770-1734	181	771-5001/171-000	198
770-793	169	770-944	129	770-1735	181	771-5001/172-000	198
770-793/081-000	169	770-945	129	770-1736	181	771-5001/173-000	198
770-793/082-000	169	770-951	143	770-1741	188	771-5001/174-000	198
770-794	177	770-952	143	770-1742	188	771-5001/175-000	198
770-794/081-000	177	770-953	143	770-1743	188	771-5001/176-000	198
770-795	185	770-967	172	770-1744	188	771-5001/177-000	198
770-795/080-000	185	770-970	172	770-1745	188	771-5001/178-000	198
770-795/082-000	185	770-992	144	770-1746	188	771-5001/179-000	198
		770-993	144	770-1751	165	771-5001/180-000	199
770-803	102	770-994	129	770-1752	165	771-5001/181-000	199
770-803/011-000	103	770-995	129	770-1753	165	771-5001/182-000	199
770-804	126			770-1761	172	771-5001/183-000	199
770-804/011-000	127	770-1102	83	770-1762	172		
770-805	140	770-1105	133	770-1763	172	771-6993/006-101	118
770-805/011-000	141	770-1112	83	770-1763	172	771-6993/006-102	118
770-813	102	770-1115	133	770-1781	180	771-6993/006-201	118
770-813/011-000	103	770-1162	83	770-1782	180	771-6993/006-202	118
770-814	126	770-1165	133	770-1783	180	771-6993/006-301	118
770-814/011-000	127	770-1172	83			771-6993/006-302	118
770-815	140	770-1175	133	770-2105	138	771-6993/006-401	118
770-815/011-000	141			770-2115	139	771-6993/006-402	118
770-823	102	770-1303	95	770-2115/007-000	139	771-6993/006-501	118
770-823/011-000	103	770-1305	133			771-6993/006-502	118
770-824	126	770-1313	95	770-2303	98	771-6993/006-601	118
770-824/011-000	127	770-1315	133	770-2305	138	771-6993/006-602	118
770-825	140	770-1324	121	770-2313	99	771-6993/006-701	118
770-825/011-000	141	770-1325	133	770-2313/007-000	99	771-6993/006-702	118
770-833	102	770-1334	121	770-2315	139	771-6993/006-702	118
770-833/011-000	103	770-1335	133	770-2324	124	771-6993/006-801	118
770-834	126	770-1343	95	770-2325	138	771-6993/006-802	118
770-834/011-000	127	770-1353	95	770-2334	125	771-6993/007-101	119
770-835	140	770-1363	95	770-2334/007-000	125	771-6993/007-102	119
770-835/011-000	141	770-1373	95	770-2335	139	771-6993/007-201	119
770-843	170	770-1373/146-000	109	770-2335/007-000	139	771-6993/007-202	119
770-843/011-000	171	770-1373/147-000	109	770-2343	98	771-6993/007-301	119
770-844	178	770-1373/148-000	109	770-2353	99	771-6993/007-302	119
770-844/011-000	179	770-1373/149-000	109	770-2363	98	771-6993/007-401	119
770-845	186					771-6993/007-402	119
770-845/011-000	187	770-1601	165	770-3105	140	771-6993/007-501	119
770-853	170	770-1602	165	770-3105/011-000	141	771-6993/007-502	119
770-853/011-000	171	770-1603	165	770-3115	140	771-6993/007-601	119
770-854	178	770-1606	87	770-3115/011-000	141	771-6993/007-602	119
770-854/011-000	179	770-1612	172			771-6993/007-701	119
770-855	186	770-1613	172	770-6223	80	771-6993/007-702	119
770-855/011-000	187	770-1615	87	770-6224	81	771-6993/007-801	119
770-863	170	770-1626	87	770-6225	81	771-6993/007-802	119
770-863/011-000	171	770-1626	165			771-6993/016-101	118
770-864	178	770-1627	87	770-7102	80	771-6993/016-102	118
770-864/011-000	179	770-1627	165	770-7102	86	771-6993/016-201	118
770-865	186	770-1631	180	770-7105	81	771-6993/016-202	118
770-865/011-000	187	770-1632	180	770-7105	142	771-6993/016-301	118
770-873	170	770-1633	180			771-6993/016-302	118
770-873/011-000	171	770-1634	87	771 Series		771-6993/016-401	118
770-874	178	770-1636	87	771-5001/100-000	197	771-6993/016-402	118
770-874/011-000	179	770-1641	188	771-5001/106-000	196	771-6993/016-501	118
770-875	186	770-1642	188	771-5001/107-000	196	771-6993/016-502	118
770-875/011-000	187	770-1643	188	771-5001/110-000	197	771-6993/016-601	118
770-883	170	770-1651	165	771-5001/111-000	197	771-6993/016-602	118
770-883/011-000	171	770-1652	165	771-5001/131-000	196	771-6993/016-701	118
770-884	178	770-1653	165	771-5001/132-000	196	771-6993/016-702	118
770-884/011-000	179	770-1656	87	771-5001/148-000	198	771-6993/016-801	118
770-885	186	770-1661	172	771-5001/149-000	198	771-6993/016-802	118
770-885/011-000	187	770-1662	172	771-5001/150-000	198	771-6993/017-101	119
770-893	170	770-1663	172	771-5001/151-000	198	771-6993/017-102	119
770-893/011-000	171	770-1665	87	771-5001/152-000	198	771-6993/017-201	119
770-894	178	770-1681	180	771-5001/153-000	198	771-6993/017-202	119
770-894/011-000	179	770-1682	180	771-5001/154-000	198	771-6993/017-301	119
770-895	186	770-1683	180	771-5001/155-000	198	771-6993/017-302	119
770-895/011-000	187	770-1684	87	771-5001/156-000	198	771-6993/017-401	119
		770-1686	87	771-5001/157-000	198	771-6993/017-402	119
770-901	143			771-5001/158-000	198	771-6993/017-501	119
770-902	143	770-1701	165	771-5001/159-000	198	771-6993/017-502	119
770-903	143	770-1702	165	771-5001/160-000	198	771-6993/017-601	119
770-907	106	770-1703	165	771-5001/161-000	198	771-6993/017-602	119
770-909	144	770-1712	172	771-5001/162-000	198	771-6993/017-701	119
770-911	143	770-1713	172	771-5001/163-000	198	771-6993/017-702	119
				771-5001/164-000	198	771-6993/017-801	119

WINSTA® Item Number Index

Item No.	Page	Item No.	Page	Item No.	Page	Item No.	Page
771 Series		771 Series		771 Series		771 Series	
771-6993/017-802	119	771-6993/207-201	119	771-8982/006-504	90	771-8982/106-203	90
771-6993/106-101	118	771-6993/207-202	119	771-8982/006-601	89	771-8982/106-204	90
771-6993/106-102	118	771-6993/207-301	119	771-8982/006-602	89	771-8982/106-301	89
771-6993/106-201	118	771-6993/207-302	119	771-8982/006-603	90	771-8982/106-302	89
771-6993/106-202	118	771-6993/207-401	119	771-8982/006-604	90	771-8982/106-303	90
771-6993/106-301	118	771-6993/207-402	119	771-8982/006-701	89	771-8982/106-304	90
771-6993/106-302	118	771-6993/207-501	119	771-8982/006-702	89	771-8982/106-401	89
771-6993/106-401	118	771-6993/207-502	119	771-8982/006-703	90	771-8982/106-402	89
771-6993/106-402	118	771-6993/207-601	119	771-8982/006-704	90	771-8982/106-403	90
771-6993/106-501	118	771-6993/207-602	119	771-8982/006-801	89	771-8982/106-404	90
771-6993/106-502	118	771-6993/207-701	119	771-8982/006-802	89	771-8982/106-501	89
771-6993/106-601	118	771-6993/207-702	119	771-8982/006-803	90	771-8982/106-502	89
771-6993/106-602	118	771-6993/207-801	119	771-8982/006-804	90	771-8982/106-503	90
771-6993/106-701	118	771-6993/207-802	119	771-8982/007-103	92	771-8982/106-504	90
771-6993/106-702	118	771-6993/216-101	118	771-8982/007-104	92	771-8982/106-601	89
771-6993/106-801	118	771-6993/216-102	118	771-8982/007-203	92	771-8982/106-602	89
771-6993/106-802	118	771-6993/216-201	118	771-8982/007-204	92	771-8982/106-603	90
771-6993/107-101	119	771-6993/216-202	118	771-8982/007-303	92	771-8982/106-604	90
771-6993/107-102	119	771-6993/216-301	118	771-8982/007-304	92	771-8982/106-701	89
771-6993/107-201	119	771-6993/216-302	118	771-8982/007-403	92	771-8982/106-702	89
771-6993/107-202	119	771-6993/216-401	118	771-8982/007-404	92	771-8982/106-703	90
771-6993/107-301	119	771-6993/216-402	118	771-8982/007-503	92	771-8982/106-704	90
771-6993/107-302	119	771-6993/216-501	118	771-8982/007-504	92	771-8982/106-801	89
771-6993/107-401	119	771-6993/216-502	118	771-8982/007-603	92	771-8982/106-802	89
771-6993/107-402	119	771-6993/216-601	118	771-8982/007-604	92	771-8982/106-803	90
771-6993/107-501	119	771-6993/216-602	118	771-8982/007-703	92	771-8982/106-804	90
771-6993/107-502	119	771-6993/216-701	118	771-8982/007-704	92	771-8982/107-103	92
771-6993/107-601	119	771-6993/216-702	118	771-8982/007-803	92	771-8982/107-104	92
771-6993/107-602	119	771-6993/216-801	118	771-8982/007-804	92	771-8982/107-203	92
771-6993/107-701	119	771-6993/216-802	118	771-8982/016-101	89	771-8982/107-204	92
771-6993/107-702	119	771-6993/217-101	119	771-8982/016-102	89	771-8982/107-303	92
771-6993/107-801	119	771-6993/217-102	119	771-8982/016-103	90	771-8982/107-304	92
771-6993/107-802	119	771-6993/217-201	119	771-8982/016-104	90	771-8982/107-403	92
771-6993/116-101	118	771-6993/217-202	119	771-8982/016-201	89	771-8982/107-404	92
771-6993/116-102	118	771-6993/217-301	119	771-8982/016-202	89	771-8982/107-503	92
771-6993/116-201	118	771-6993/217-302	119	771-8982/016-203	90	771-8982/107-504	92
771-6993/116-202	118	771-6993/217-401	119	771-8982/016-204	90	771-8982/107-603	92
771-6993/116-301	118	771-6993/217-402	119	771-8982/016-301	89	771-8982/107-604	92
771-6993/116-302	118	771-6993/217-501	119	771-8982/016-302	89	771-8982/107-703	92
771-6993/116-401	118	771-6993/217-502	119	771-8982/016-303	90	771-8982/107-704	92
771-6993/116-402	118	771-6993/217-601	119	771-8982/016-304	90	771-8982/107-803	92
771-6993/116-501	118	771-6993/217-602	119	771-8982/016-401	89	771-8982/107-804	92
771-6993/116-502	118	771-6993/217-701	119	771-8982/016-402	89	771-8982/116-101	89
771-6993/116-601	118	771-6993/217-702	119	771-8982/016-403	90	771-8982/116-102	89
771-6993/116-602	118	771-6993/217-801	119	771-8982/016-404	90	771-8982/116-103	90
771-6993/116-701	118	771-6993/217-802	119	771-8982/016-501	89	771-8982/116-104	90
771-6993/116-702	118			771-8982/016-502	89	771-8982/116-201	89
771-6993/116-801	118	771-8965/007-101	147	771-8982/016-503	90	771-8982/116-202	89
771-6993/116-802	118	771-8965/007-102	147	771-8982/016-504	90	771-8982/116-203	90
771-6993/117-101	119	771-8965/007-201	147	771-8982/016-601	89	771-8982/116-204	90
771-6993/117-102	119	771-8965/007-202	147	771-8982/016-602	89	771-8982/116-301	89
771-6993/117-201	119	771-8965/017-101	147	771-8982/016-603	90	771-8982/116-302	89
771-6993/117-202	119	771-8965/017-102	147	771-8982/016-604	90	771-8982/116-303	90
771-6993/117-301	119	771-8965/017-201	147	771-8982/016-701	89	771-8982/116-304	90
771-6993/117-302	119	771-8965/017-202	147	771-8982/016-702	89	771-8982/116-401	89
771-6993/117-401	119	771-8965/107-101	147	771-8982/016-703	90	771-8982/116-402	89
771-6993/117-402	119	771-8965/107-102	147	771-8982/016-704	90	771-8982/116-403	90
771-6993/117-501	119	771-8965/107-201	147	771-8982/016-801	89	771-8982/116-404	90
771-6993/117-502	119	771-8965/107-202	147	771-8982/016-802	89	771-8982/116-501	89
771-6993/117-601	119	771-8965/117-101	147	771-8982/016-803	90	771-8982/116-502	89
771-6993/117-602	119	771-8965/117-102	147	771-8982/016-804	90	771-8982/116-503	90
771-6993/117-701	119	771-8965/117-201	147	771-8982/017-103	92	771-8982/116-504	90
771-6993/117-702	119	771-8965/117-202	147	771-8982/017-104	92	771-8982/116-601	89
771-6993/117-801	119			771-8982/017-203	92	771-8982/116-602	89
771-6993/117-802	119	771-8982/006-101	89	771-8982/017-204	92	771-8982/116-603	90
771-6993/206-101	118	771-8982/006-102	89	771-8982/017-303	92	771-8982/116-604	90
771-6993/206-102	118	771-8982/006-103	90	771-8982/017-304	92	771-8982/116-701	89
771-6993/206-201	118	771-8982/006-104	90	771-8982/017-403	92	771-8982/116-702	89
771-6993/206-202	118	771-8982/006-201	89	771-8982/017-404	92	771-8982/116-703	90
771-6993/206-301	118	771-8982/006-202	89	771-8982/017-503	92	771-8982/116-704	90
771-6993/206-302	118	771-8982/006-203	90	771-8982/017-504	92	771-8982/116-801	89
771-6993/206-401	118	771-8982/006-204	90	771-8982/017-603	92	771-8982/116-802	89
771-6993/206-402	118	771-8982/006-301	89	771-8982/017-604	92	771-8982/116-803	90
771-6993/206-501	118	771-8982/006-302	89	771-8982/017-703	92	771-8982/116-804	90
771-6993/206-502	118	771-8982/006-303	90	771-8982/017-704	92	771-8982/117-103	92
771-6993/206-601	118	771-8982/006-304	90	771-8982/017-803	92	771-8982/117-104	92
771-6993/206-602	118	771-8982/006-401	89	771-8982/017-804	92	771-8982/117-203	92
771-6993/206-701	118	771-8982/006-402	89	771-8982/106-101	89	771-8982/117-204	92
771-6993/206-702	118	771-8982/006-403	90	771-8982/106-102	89	771-8982/117-303	92
771-6993/206-801	118	771-8982/006-404	90	771-8982/106-103	90	771-8982/117-304	92
771-6993/206-802	118	771-8982/006-501	89	771-8982/106-104	90	771-8982/117-403	92
771-6993/207-101	119	771-8982/006-502	89	771-8982/106-201	89	771-8982/117-404	92
771-6993/207-102	119	771-8982/006-503	90	771-8982/106-202	89	771-8982/117-503	92

Item No.	Page	Item No.	Page	Item No.	Page	Item No.	Page
771 Series		771 Series		771 Series		771 Series	
771-8982/117-504	92	771-8982/216-801	89	771-8985/017-803	154	771-8985/207-104	154
771-8982/117-603	92	771-8982/216-802	89	771-8985/017-804	154	771-8985/207-203	154
771-8982/117-604	92	771-8982/216-803	90	771-8985/106-103	150	771-8985/207-204	154
771-8982/117-703	92	771-8982/216-804	90	771-8985/106-104	150	771-8985/207-303	154
771-8982/117-704	92	771-8982/217-103	92	771-8985/106-203	150	771-8985/207-304	154
771-8982/117-803	92	771-8982/217-104	92	771-8985/106-204	150	771-8985/207-403	154
771-8982/117-804	92	771-8982/217-203	92	771-8985/106-303	150	771-8985/207-404	154
771-8982/206-101	89	771-8982/217-204	92	771-8985/106-304	150	771-8985/207-503	154
771-8982/206-102	89	771-8982/217-303	92	771-8985/106-403	150	771-8985/207-504	154
771-8982/206-103	90	771-8982/217-304	92	771-8985/106-404	150	771-8985/207-603	154
771-8982/206-104	90	771-8982/217-403	92	771-8985/106-503	150	771-8985/207-604	154
771-8982/206-201	89	771-8982/217-404	92	771-8985/106-504	150	771-8985/207-703	154
771-8982/206-202	89	771-8982/217-503	92	771-8985/106-603	150	771-8985/207-704	154
771-8982/206-203	90	771-8982/217-504	92	771-8985/106-604	150	771-8985/207-803	154
771-8982/206-204	90	771-8982/217-603	92	771-8985/106-703	150	771-8985/207-804	154
771-8982/206-301	89	771-8982/217-604	92	771-8985/106-704	150	771-8985/216-103	150
771-8982/206-302	89	771-8982/217-703	92	771-8985/106-803	150	771-8985/216-104	150
771-8982/206-303	90	771-8982/217-704	92	771-8985/106-804	150	771-8985/216-203	150
771-8982/206-304	90	771-8982/217-803	92	771-8985/107-103	154	771-8985/216-204	150
771-8982/206-401	89	771-8982/217-804	92	771-8985/107-104	154	771-8985/216-303	150
771-8982/206-402	89			771-8985/107-203	154	771-8985/216-304	150
771-8982/206-403	90	771-8985/006-103	150	771-8985/107-204	154	771-8985/216-403	150
771-8982/206-404	90	771-8985/006-104	150	771-8985/107-303	154	771-8985/216-404	150
771-8982/206-501	89	771-8985/006-203	150	771-8985/107-304	154	771-8985/216-503	150
771-8982/206-502	89	771-8985/006-204	150	771-8985/107-403	154	771-8985/216-504	150
771-8982/206-503	90	771-8985/006-303	150	771-8985/107-404	154	771-8985/216-603	150
771-8982/206-504	90	771-8985/006-304	150	771-8985/107-503	154	771-8985/216-604	150
771-8982/206-601	89	771-8985/006-403	150	771-8985/107-504	154	771-8985/216-703	150
771-8982/206-602	89	771-8985/006-404	150	771-8985/107-603	154	771-8985/216-704	150
771-8982/206-603	90	771-8985/006-503	150	771-8985/107-604	154	771-8985/216-803	150
771-8982/206-604	90	771-8985/006-504	150	771-8985/107-703	154	771-8985/216-804	150
771-8982/206-701	89	771-8985/006-603	150	771-8985/107-704	154	771-8985/217-103	154
771-8982/206-702	89	771-8985/006-604	150	771-8985/107-803	154	771-8985/217-104	154
771-8982/206-703	90	771-8985/006-703	150	771-8985/107-804	154	771-8985/217-203	154
771-8982/206-704	90	771-8985/006-704	150	771-8985/116-103	150	771-8985/217-204	154
771-8982/206-801	89	771-8985/006-803	150	771-8985/116-104	150	771-8985/217-303	154
771-8982/206-802	89	771-8985/006-804	150	771-8985/116-203	150	771-8985/217-304	154
771-8982/206-803	90	771-8985/007-103	154	771-8985/116-204	150	771-8985/217-403	154
771-8982/206-804	90	771-8985/007-104	154	771-8985/116-303	150	771-8985/217-404	154
771-8982/207-103	92	771-8985/007-203	154	771-8985/116-304	150	771-8985/217-503	154
771-8982/207-104	92	771-8985/007-204	154	771-8985/116-403	150	771-8985/217-504	154
771-8982/207-203	92	771-8985/007-303	154	771-8985/116-404	150	771-8985/217-603	154
771-8982/207-204	92	771-8985/007-304	154	771-8985/116-503	150	771-8985/217-604	154
771-8982/207-303	92	771-8985/007-403	154	771-8985/116-504	150	771-8985/217-703	154
771-8982/207-304	92	771-8985/007-404	154	771-8985/116-603	150	771-8985/217-704	154
771-8982/207-403	92	771-8985/007-503	154	771-8985/116-604	150	771-8985/217-803	154
771-8982/207-404	92	771-8985/007-504	154	771-8985/116-703	150	771-8985/217-804	154
771-8982/207-503	92	771-8985/007-603	154	771-8985/116-704	150		
771-8982/207-504	92	771-8985/007-604	154	771-8985/116-803	150	771-8992/005-103	166
771-8982/207-603	92	771-8985/007-703	154	771-8985/116-804	150	771-8992/005-105	166
771-8982/207-604	92	771-8985/007-704	154	771-8985/117-103	154	771-8992/005-107	166
771-8982/207-703	92	771-8985/007-803	154	771-8985/117-104	154	771-8992/005-203	166
771-8982/207-704	92	771-8985/007-804	154	771-8985/117-203	154	771-8992/005-205	166
771-8982/207-803	92	771-8985/016-103	150	771-8985/117-204	154	771-8992/005-207	166
771-8982/207-804	92	771-8985/016-104	150	771-8985/117-303	154	771-8992/005-303	166
771-8982/216-101	89	771-8985/016-203	150	771-8985/117-304	154	771-8992/005-305	166
771-8982/216-102	89	771-8985/016-204	150	771-8985/117-403	154	771-8992/005-307	166
771-8982/216-103	90	771-8985/016-303	150	771-8985/117-404	154	771-8992/005-403	166
771-8982/216-104	90	771-8985/016-304	150	771-8985/117-503	154	771-8992/005-405	166
771-8982/216-201	89	771-8985/016-403	150	771-8985/117-504	154	771-8992/005-407	166
771-8982/216-202	89	771-8985/016-404	150	771-8985/117-603	154	771-8992/005-503	166
771-8982/216-203	90	771-8985/016-503	150	771-8985/117-604	154	771-8992/005-505	166
771-8982/216-204	90	771-8985/016-504	150	771-8985/117-703	154	771-8992/005-507	166
771-8982/216-301	89	771-8985/016-603	150	771-8985/117-704	154	771-8992/005-603	166
771-8982/216-302	89	771-8985/016-604	150	771-8985/117-803	154	771-8992/005-605	166
771-8982/216-303	90	771-8985/016-703	150	771-8985/117-804	154	771-8992/005-607	166
771-8982/216-304	90	771-8985/016-704	150	771-8985/206-103	150	771-8992/005-703	166
771-8982/216-401	89	771-8985/016-803	150	771-8985/206-104	150	771-8992/005-705	166
771-8982/216-402	89	771-8985/016-804	150	771-8985/206-203	150	771-8992/005-707	166
771-8982/216-403	90	771-8985/017-103	154	771-8985/206-204	150	771-8992/005-803	166
771-8982/216-404	90	771-8985/017-104	154	771-8985/206-303	150	771-8992/005-805	166
771-8982/216-501	89	771-8985/017-203	154	771-8985/206-304	150	771-8992/005-807	166
771-8982/216-502	89	771-8985/017-204	154	771-8985/206-403	150	771-8992/006-101	88
771-8982/216-503	90	771-8985/017-303	154	771-8985/206-404	150	771-8992/006-102	88
771-8982/216-504	90	771-8985/017-304	154	771-8985/206-503	150	771-8992/006-103	167
771-8982/216-601	89	771-8985/017-403	154	771-8985/206-504	150	771-8992/006-105	167
771-8982/216-602	89	771-8985/017-404	154	771-8985/206-603	150	771-8992/006-105	167
771-8982/216-603	90	771-8985/017-503	154	771-8985/206-604	150	771-8992/006-107	167
771-8982/216-604	90	771-8985/017-504	154	771-8985/206-703	150	771-8992/006-201	88
771-8982/216-701	89	771-8985/017-603	154	771-8985/206-704	150	771-8992/006-202	88
771-8982/216-702	89	771-8985/017-604	154	771-8985/206-803	150	771-8992/006-203	167
771-8982/216-703	90	771-8985/017-703	154	771-8985/206-804	150	771-8992/006-205	167
771-8982/216-704	90	771-8985/017-704	154	771-8985/207-103	154	771-8992/006-207	167

WINSTA®
Item Number Index

Item No.	Page	Item No.	Page	Item No.	Page	Item No.	Page
771 Series		771 Series		771 Series		771 Series	
771-8992/006-301	88	771-8992/105-203	166	771-8992/116-401	88	771-8992/206-705	167
771-8992/006-302	88	771-8992/105-205	166	771-8992/116-402	88	771-8992/206-707	167
771-8992/006-303	167	771-8992/105-207	166	771-8992/116-501	88	771-8992/206-801	88
771-8992/006-305	167	771-8992/105-303	166	771-8992/116-502	88	771-8992/206-802	88
771-8992/006-307	167	771-8992/105-305	166	771-8992/116-601	88	771-8992/206-803	167
771-8992/006-401	88	771-8992/105-307	166	771-8992/116-602	88	771-8992/206-805	167
771-8992/006-402	88	771-8992/105-403	166	771-8992/116-701	88	771-8992/206-807	167
771-8992/006-403	167	771-8992/105-405	166	771-8992/116-702	88	771-8992/207-101	91
771-8992/006-405	167	771-8992/105-407	166	771-8992/116-801	88	771-8992/207-102	91
771-8992/006-407	167	771-8992/105-503	166	771-8992/116-802	88	771-8992/207-201	91
771-8992/006-501	88	771-8992/105-505	166	771-8992/117-101	91	771-8992/207-202	91
771-8992/006-502	88	771-8992/105-507	166	771-8992/117-102	91	771-8992/207-301	91
771-8992/006-503	167	771-8992/105-603	166	771-8992/117-201	91	771-8992/207-302	91
771-8992/006-503	167	771-8992/105-605	166	771-8992/117-202	91	771-8992/207-401	91
771-8992/006-505	167	771-8992/105-607	166	771-8992/117-301	91	771-8992/207-402	91
771-8992/006-507	167	771-8992/105-703	166	771-8992/117-302	91	771-8992/207-501	91
771-8992/006-601	88	771-8992/105-705	166	771-8992/117-401	91	771-8992/207-502	91
771-8992/006-602	88	771-8992/105-707	166	771-8992/117-402	91	771-8992/207-601	91
771-8992/006-603	167	771-8992/105-803	166	771-8992/117-501	91	771-8992/207-602	91
771-8992/006-605	167	771-8992/105-805	166	771-8992/117-502	91	771-8992/207-701	91
771-8992/006-607	167	771-8992/105-807	166	771-8992/117-601	91	771-8992/207-702	91
771-8992/006-701	88	771-8992/106-101	88	771-8992/117-602	91	771-8992/207-801	91
771-8992/006-702	88	771-8992/106-102	88	771-8992/117-701	91	771-8992/207-802	91
771-8992/006-703	167	771-8992/106-103	167	771-8992/117-702	91	771-8992/216-101	88
771-8992/006-705	167	771-8992/106-105	167	771-8992/117-801	91	771-8992/216-102	88
771-8992/006-707	167	771-8992/106-107	167	771-8992/117-802	91	771-8992/216-201	88
771-8992/006-801	88	771-8992/106-201	88	771-8992/205-103	166	771-8992/216-202	88
771-8992/006-802	88	771-8992/106-202	88	771-8992/205-105	166	771-8992/216-301	88
771-8992/006-803	167	771-8992/106-203	167	771-8992/205-107	166	771-8992/216-302	88
771-8992/006-805	167	771-8992/106-205	167	771-8992/205-203	166	771-8992/216-401	88
771-8992/006-807	167	771-8992/106-207	167	771-8992/205-205	166	771-8992/216-402	88
771-8992/007-101	91	771-8992/106-301	88	771-8992/205-207	166	771-8992/216-501	88
771-8992/007-102	91	771-8992/106-302	88	771-8992/205-303	166	771-8992/216-502	88
771-8992/007-201	91	771-8992/106-303	167	771-8992/205-305	166	771-8992/216-601	88
771-8992/007-202	91	771-8992/106-305	167	771-8992/205-307	166	771-8992/216-602	88
771-8992/007-301	91	771-8992/106-307	167	771-8992/205-403	166	771-8992/216-701	88
771-8992/007-302	91	771-8992/106-401	88	771-8992/205-405	166	771-8992/216-702	88
771-8992/007-401	91	771-8992/106-402	88	771-8992/205-407	166	771-8992/216-801	88
771-8992/007-402	91	771-8992/106-403	167	771-8992/205-503	166	771-8992/216-802	88
771-8992/007-501	91	771-8992/106-405	167	771-8992/205-505	166	771-8992/217-101	91
771-8992/007-502	91	771-8992/106-407	167	771-8992/205-507	166	771-8992/217-102	91
771-8992/007-601	91	771-8992/106-501	88	771-8992/205-603	166	771-8992/217-201	91
771-8992/007-602	91	771-8992/106-502	88	771-8992/205-605	166	771-8992/217-202	91
771-8992/007-701	91	771-8992/106-503	167	771-8992/205-607	166	771-8992/217-301	91
771-8992/007-702	91	771-8992/106-505	167	771-8992/205-703	166	771-8992/217-302	91
771-8992/007-801	91	771-8992/106-507	167	771-8992/205-705	166	771-8992/217-401	91
771-8992/007-802	91	771-8992/106-601	88	771-8992/205-707	166	771-8992/217-402	91
771-8992/016-101	88	771-8992/106-602	88	771-8992/205-803	166	771-8992/217-501	91
771-8992/016-102	88	771-8992/106-603	167	771-8992/205-805	166	771-8992/217-502	91
771-8992/016-107	167	771-8992/106-605	167	771-8992/205-807	166	771-8992/217-601	91
771-8992/016-201	88	771-8992/106-607	167	771-8992/206-101	88	771-8992/217-602	91
771-8992/016-202	88	771-8992/106-701	88	771-8992/206-102	88	771-8992/217-701	91
771-8992/016-301	88	771-8992/106-702	88	771-8992/206-103	167	771-8992/217-702	91
771-8992/016-302	88	771-8992/106-703	167	771-8992/206-105	167	771-8992/217-801	91
771-8992/016-401	88	771-8992/106-705	167	771-8992/206-107	167	771-8992/217-802	91
771-8992/016-402	88	771-8992/106-707	167	771-8992/206-201	88		
771-8992/016-501	88	771-8992/106-801	88	771-8992/206-202	88	771-8993/1004-051	194
771-8992/016-502	88	771-8992/106-802	88	771-8992/206-203	167		
771-8992/016-601	88	771-8992/106-803	167	771-8992/206-205	167	771-8995/008-101	156
771-8992/016-602	88	771-8992/106-805	167	771-8992/206-207	167	771-8995/008-201	156
771-8992/016-701	88	771-8992/106-807	167	771-8992/206-301	88	771-8995/008-301	156
771-8992/016-702	88	771-8992/107-101	91	771-8992/206-302	88	771-8995/008-401	156
771-8992/016-801	88	771-8992/107-102	91	771-8992/206-303	167	771-8995/008-501	156
771-8992/016-802	88	771-8992/107-201	91	771-8992/206-305	167	771-8995/008-601	156
771-8992/017-101	91	771-8992/107-202	91	771-8992/206-307	167	771-8995/008-701	156
771-8992/017-102	91	771-8992/107-301	91	771-8992/206-401	88	771-8995/008-801	156
771-8992/017-201	91	771-8992/107-302	91	771-8992/206-402	88	771-8995/018-101	156
771-8992/017-202	91	771-8992/107-401	91	771-8992/206-403	167	771-8995/018-201	156
771-8992/017-301	91	771-8992/107-402	91	771-8992/206-405	167	771-8995/018-301	156
771-8992/017-302	91	771-8992/107-501	91	771-8992/206-407	167	771-8995/018-401	156
771-8992/017-401	91	771-8992/107-502	91	771-8992/206-501	88	771-8995/018-501	156
771-8992/017-402	91	771-8992/107-601	91	771-8992/206-502	88	771-8995/018-601	156
771-8992/017-501	91	771-8992/107-602	91	771-8992/206-503	167	771-8995/018-701	156
771-8992/017-502	91	771-8992/107-701	91	771-8992/206-505	167	771-8995/018-801	156
771-8992/017-601	91	771-8992/107-702	91	771-8992/206-507	167	771-8995/108-101	156
771-8992/017-602	91	771-8992/107-801	91	771-8992/206-601	88	771-8995/108-201	156
771-8992/017-701	91	771-8992/107-802	91	771-8992/206-602	88	771-8995/108-301	156
771-8992/017-702	91	771-8992/116-101	88	771-8992/206-603	167	771-8995/108-401	156
771-8992/017-801	91	771-8992/116-102	88	771-8992/206-605	167	771-8995/108-501	156
771-8992/017-802	91	771-8992/116-201	88	771-8992/206-607	167	771-8995/108-601	156
771-8992/105-103	166	771-8992/116-202	88	771-8992/206-701	88	771-8995/108-701	156
771-8992/105-105	166	771-8992/116-301	88	771-8992/206-702	88	771-8995/108-801	156
771-8992/105-107	166	771-8992/116-302	88	771-8992/206-703	167	771-8995/118-101	156

Item No.	Page	Item No.	Page	Item No.	Page	Item No.	Page
771 Series		771 Series		771 Series		771 Series	
771-8995/118-201	156	771-9973/016-702	111	771-9973/117-801	115	771-9973/217-102	115
771-8995/118-301	156	771-9973/016-705	112	771-9973/117-802	115	771-9973/217-201	115
771-8995/118-401	156	771-9973/016-801	111	771-9973/206-101	111	771-9973/217-202	115
771-8995/118-501	156	771-9973/016-802	111	771-9973/206-102	111	771-9973/217-301	115
771-8995/118-601	156	771-9973/016-805	112	771-9973/206-104	112	771-9973/217-302	115
771-8995/118-701	156	771-9973/017-101	115	771-9973/206-105	112	771-9973/217-401	115
771-8995/118-801	156	771-9973/017-102	115	771-9973/206-201	111	771-9973/217-402	115
771-8995/208-101	156	771-9973/017-201	115	771-9973/206-202	111	771-9973/217-501	115
771-8995/208-201	156	771-9973/017-202	115	771-9973/206-204	112	771-9973/217-502	115
771-8995/208-301	156	771-9973/017-301	115	771-9973/206-205	112	771-9973/217-601	115
771-8995/208-401	156	771-9973/017-302	115	771-9973/206-301	111	771-9973/217-602	115
771-8995/208-501	156	771-9973/017-401	115	771-9973/206-302	111	771-9973/217-701	115
771-8995/208-601	156	771-9973/017-402	115	771-9973/206-304	112	771-9973/217-702	115
771-8995/208-701	156	771-9973/017-501	115	771-9973/206-305	112	771-9973/217-801	115
771-8995/208-801	156	771-9973/017-502	115	771-9973/206-401	111	771-9973/217-802	115
771-8995/218-101	156	771-9973/017-601	115	771-9973/206-402	111		
771-8995/218-201	156	771-9973/017-602	115	771-9973/206-404	112	771-9975/006-101	151
771-8995/218-301	156	771-9973/017-701	115	771-9973/206-405	112	771-9975/006-102	151
771-8995/218-401	156	771-9973/017-702	115	771-9973/206-501	111	771-9975/006-201	151
771-8995/218-501	156	771-9973/017-801	115	771-9973/206-502	111	771-9975/006-202	151
771-8995/218-601	156	771-9973/017-802	115	771-9973/206-504	112	771-9975/006-301	151
771-8995/218-701	156	771-9973/106-101	111	771-9973/206-505	112	771-9975/006-302	151
771-8995/218-801	156	771-9973/106-102	111	771-9973/206-601	111	771-9975/006-401	151
		771-9973/106-201	111	771-9973/206-602	111	771-9975/006-402	151
771-9973/006-101	111	771-9973/106-202	111	771-9973/206-604	112	771-9975/006-501	151
771-9973/006-102	111	771-9973/106-301	111	771-9973/206-605	112	771-9975/006-502	151
771-9973/006-105	112	771-9973/106-302	111	771-9973/206-701	111	771-9975/006-601	151
771-9973/006-201	111	771-9973/106-401	111	771-9973/206-702	111	771-9975/006-602	151
771-9973/006-202	111	771-9973/106-402	111	771-9973/206-704	112	771-9975/006-701	151
771-9973/006-205	112	771-9973/106-501	111	771-9973/206-705	112	771-9975/006-702	151
771-9973/006-301	111	771-9973/106-502	111	771-9973/206-801	111	771-9975/006-801	151
771-9973/006-302	111	771-9973/106-601	111	771-9973/206-802	111	771-9975/006-802	151
771-9973/006-305	112	771-9973/106-602	111	771-9973/206-804	112	771-9975/007-101	155
771-9973/006-401	111	771-9973/106-701	111	771-9973/206-805	112	771-9975/007-102	155
771-9973/006-402	111	771-9973/106-702	111	771-9973/207-101	115	771-9975/007-201	155
771-9973/006-405	112	771-9973/106-801	111	771-9973/207-102	115	771-9975/007-202	155
771-9973/006-501	111	771-9973/106-802	111	771-9973/207-201	115	771-9975/007-301	155
771-9973/006-502	111	771-9973/107-101	115	771-9973/207-202	115	771-9975/007-302	155
771-9973/006-505	112	771-9973/107-102	115	771-9973/207-301	115	771-9975/007-401	155
771-9973/006-601	111	771-9973/107-201	115	771-9973/207-302	115	771-9975/007-402	155
771-9973/006-602	111	771-9973/107-202	115	771-9973/207-401	115	771-9975/007-501	155
771-9973/006-605	112	771-9973/107-301	115	771-9973/207-402	115	771-9975/007-502	155
771-9973/006-701	111	771-9973/107-302	115	771-9973/207-501	115	771-9975/007-601	155
771-9973/006-702	111	771-9973/107-401	115	771-9973/207-502	115	771-9975/007-602	155
771-9973/006-705	112	771-9973/107-402	115	771-9973/207-601	115	771-9975/007-701	155
771-9973/006-801	111	771-9973/107-501	115	771-9973/207-602	115	771-9975/007-702	155
771-9973/006-802	111	771-9973/107-502	115	771-9973/207-701	115	771-9975/007-801	155
771-9973/006-805	112	771-9973/107-601	115	771-9973/207-702	115	771-9975/007-802	155
771-9973/007-101	115	771-9973/107-602	115	771-9973/207-801	115	771-9975/016-101	151
771-9973/007-102	115	771-9973/107-701	115	771-9973/207-802	115	771-9975/016-102	151
771-9973/007-201	115	771-9973/107-702	115	771-9973/216-101	111	771-9975/016-201	151
771-9973/007-202	115	771-9973/107-801	115	771-9973/216-102	111	771-9975/016-202	151
771-9973/007-301	115	771-9973/107-802	115	771-9973/216-104	112	771-9975/016-301	151
771-9973/007-302	115	771-9973/116-101	111	771-9973/216-105	112	771-9975/016-302	151
771-9973/007-401	115	771-9973/116-102	111	771-9973/216-201	111	771-9975/016-401	151
771-9973/007-402	115	771-9973/116-201	111	771-9973/216-202	111	771-9975/016-402	151
771-9973/007-501	115	771-9973/116-202	111	771-9973/216-204	112	771-9975/016-501	151
771-9973/007-502	115	771-9973/116-301	111	771-9973/216-205	112	771-9975/016-502	151
771-9973/007-601	115	771-9973/116-302	111	771-9973/216-301	111	771-9975/016-601	151
771-9973/007-602	115	771-9973/116-401	111	771-9973/216-302	111	771-9975/016-602	151
771-9973/007-701	115	771-9973/116-402	111	771-9973/216-304	112	771-9975/016-701	151
771-9973/007-702	115	771-9973/116-501	111	771-9973/216-305	112	771-9975/016-702	151
771-9973/007-801	115	771-9973/116-502	111	771-9973/216-401	111	771-9975/016-801	151
771-9973/007-802	115	771-9973/116-601	111	771-9973/216-402	111	771-9975/016-802	151
771-9973/016-101	111	771-9973/116-602	111	771-9973/216-404	112	771-9975/017-101	155
771-9973/016-102	111	771-9973/116-701	111	771-9973/216-405	112	771-9975/017-102	155
771-9973/016-105	112	771-9973/116-702	111	771-9973/216-501	111	771-9975/017-201	155
771-9973/016-201	111	771-9973/116-801	111	771-9973/216-502	111	771-9975/017-202	155
771-9973/016-202	111	771-9973/116-802	111	771-9973/216-504	112	771-9975/017-301	155
771-9973/016-205	112	771-9973/117-101	115	771-9973/216-505	112	771-9975/017-302	155
771-9973/016-301	111	771-9973/117-102	115	771-9973/216-601	111	771-9975/017-401	155
771-9973/016-302	111	771-9973/117-201	115	771-9973/216-602	111	771-9975/017-402	155
771-9973/016-305	112	771-9973/117-202	115	771-9973/216-604	112	771-9975/017-501	155
771-9973/016-401	111	771-9973/117-301	115	771-9973/216-605	112	771-9975/017-502	155
771-9973/016-402	111	771-9973/117-302	115	771-9973/216-701	111	771-9975/017-601	155
771-9973/016-405	112	771-9973/117-401	115	771-9973/216-702	111	771-9975/017-602	155
771-9973/016-501	111	771-9973/117-402	115	771-9973/216-704	112	771-9975/017-701	155
771-9973/016-502	111	771-9973/117-501	115	771-9973/216-705	112	771-9975/017-702	155
771-9973/016-505	112	771-9973/117-502	115	771-9973/216-801	111	771-9975/017-801	155
771-9973/016-601	111	771-9973/117-601	115	771-9973/216-802	111	771-9975/017-802	155
771-9973/016-602	111	771-9973/117-602	115	771-9973/216-804	112	771-9975/106-101	151
771-9973/016-605	112	771-9973/117-701	115	771-9973/216-805	112	771-9975/106-102	151
771-9973/016-701	111	771-9973/117-702	115	771-9973/217-101	115	771-9975/106-201	151

WINSTA®
Item Number Index

Item No.	Page	Item No.	Page	Item No.	Page	Item No.	Page
771 Series		771 Series		771 Series		771 Series	
771-9993/307-101	195	771-9994/006-203	183	771-9994/106-205	183	771-9994/206-302	130
771-9993/307-102	195	771-9994/006-205	183	771-9994/106-207	183	771-9994/206-303	183
771-9993/307-201	195	771-9994/006-207	183	771-9994/106-301	130	771-9994/206-305	183
771-9993/307-202	195	771-9994/006-301	130	771-9994/106-302	130	771-9994/206-307	183
771-9993/307-301	195	771-9994/006-302	130	771-9994/106-303	183	771-9994/206-401	130
771-9993/307-302	195	771-9994/006-303	183	771-9994/106-305	183	771-9994/206-402	130
771-9993/3206-101	110	771-9994/006-305	183	771-9994/106-307	183	771-9994/206-403	183
771-9993/3206-201	110	771-9994/006-307	183	771-9994/106-401	130	771-9994/206-405	183
771-9993/3206-301	110	771-9994/006-401	130	771-9994/106-402	130	771-9994/206-407	183
771-9993/3206-401	110	771-9994/006-402	130	771-9994/106-403	183	771-9994/206-501	130
771-9993/3206-501	110	771-9994/006-403	183	771-9994/106-405	183	771-9994/206-502	130
771-9993/3206-601	110	771-9994/006-405	183	771-9994/106-407	183	771-9994/206-503	183
771-9993/3206-701	110	771-9994/006-407	183	771-9994/106-501	130	771-9994/206-505	183
771-9993/3206-801	110	771-9994/006-501	130	771-9994/106-502	130	771-9994/206-507	183
771-9993/3207-101	114	771-9994/006-502	130	771-9994/106-503	183	771-9994/206-601	130
771-9993/3207-201	114	771-9994/006-503	183	771-9994/106-505	183	771-9994/206-602	130
771-9993/3207-301	114	771-9994/006-503	183	771-9994/106-507	183	771-9994/206-603	183
771-9993/3207-401	114	771-9994/006-505	183	771-9994/106-601	130	771-9994/206-605	183
771-9993/3207-501	114	771-9994/006-507	183	771-9994/106-602	130	771-9994/206-607	183
771-9993/3207-601	114	771-9994/006-601	130	771-9994/106-603	183	771-9994/206-701	130
771-9993/3207-701	114	771-9994/006-602	130	771-9994/106-605	183	771-9994/206-702	130
771-9993/3207-801	114	771-9994/006-603	183	771-9994/106-607	183	771-9994/206-703	183
771-9993/3216-101	110	771-9994/006-605	183	771-9994/106-701	130	771-9994/206-705	183
771-9993/3216-201	110	771-9994/006-607	183	771-9994/106-702	130	771-9994/206-707	183
771-9993/3216-301	110	771-9994/006-701	130	771-9994/106-703	183	771-9994/206-801	130
771-9993/3216-401	110	771-9994/006-702	130	771-9994/106-705	183	771-9994/206-802	130
771-9993/3216-501	110	771-9994/006-703	183	771-9994/106-707	183	771-9994/206-803	183
771-9993/3216-601	110	771-9994/006-705	183	771-9994/106-801	130	771-9994/206-805	183
771-9993/3216-701	110	771-9994/006-707	183	771-9994/106-802	130	771-9994/206-807	183
771-9993/3216-801	110	771-9994/006-801	130	771-9994/106-803	183	771-9994/216-101	130
771-9993/3217-101	114	771-9994/006-802	130	771-9994/106-805	183	771-9994/216-102	130
771-9993/3217-201	114	771-9994/006-803	183	771-9994/106-807	183	771-9994/216-201	130
771-9993/3217-301	114	771-9994/006-805	183	771-9994/116-101	130	771-9994/216-202	130
771-9993/3217-401	114	771-9994/006-807	183	771-9994/116-102	130	771-9994/216-301	130
771-9993/3217-501	114	771-9994/016-101	130	771-9994/116-201	130	771-9994/216-302	130
771-9993/3217-601	114	771-9994/016-102	130	771-9994/116-202	130	771-9994/216-401	130
771-9993/3217-701	114	771-9994/016-107	183	771-9994/116-301	130	771-9994/216-402	130
771-9993/3217-801	114	771-9994/016-201	130	771-9994/116-302	130	771-9994/216-501	130
771-9993/406-101	195	771-9994/016-202	130	771-9994/116-401	130	771-9994/216-502	130
771-9993/406-102	195	771-9994/016-301	130	771-9994/116-402	130	771-9994/216-601	130
771-9993/406-201	195	771-9994/016-302	130	771-9994/116-501	130	771-9994/216-602	130
771-9993/406-202	195	771-9994/016-401	130	771-9994/116-502	130	771-9994/216-701	130
771-9993/406-301	195	771-9994/016-402	130	771-9994/116-601	130	771-9994/216-702	130
771-9993/406-302	195	771-9994/016-501	130	771-9994/116-602	130	771-9994/216-801	130
771-9993/805-101	194	771-9994/016-502	130	771-9994/116-701	130	771-9994/216-802	130
771-9993/805-102	194	771-9994/016-601	130	771-9994/116-702	130		
771-9993/805-201	194	771-9994/016-602	130	771-9994/116-801	130	771-9995/005-103	190
771-9993/805-202	194	771-9994/016-701	130	771-9994/116-802	130	771-9995/005-105	190
771-9993/805-301	194	771-9994/016-702	130	771-9994/205-103	182	771-9995/005-107	190
771-9993/805-302	194	771-9994/016-801	130	771-9994/205-105	182	771-9995/005-203	190
		771-9994/016-802	130	771-9994/205-107	182	771-9995/005-205	190
771-9994/005-103	182	771-9994/105-103	182	771-9994/205-203	182	771-9995/005-207	190
771-9994/005-105	182	771-9994/105-105	182	771-9994/205-205	182	771-9995/005-303	190
771-9994/005-107	182	771-9994/105-107	182	771-9994/205-207	182	771-9995/005-305	190
771-9994/005-203	182	771-9994/105-203	182	771-9994/205-303	182	771-9995/005-307	190
771-9994/005-205	182	771-9994/105-205	182	771-9994/205-305	182	771-9995/005-403	190
771-9994/005-207	182	771-9994/105-207	182	771-9994/205-307	182	771-9995/005-405	190
771-9994/005-303	182	771-9994/105-303	182	771-9994/205-403	182	771-9995/005-407	190
771-9994/005-305	182	771-9994/105-305	182	771-9994/205-405	182	771-9995/005-503	190
771-9994/005-307	182	771-9994/105-307	182	771-9994/205-407	182	771-9995/005-505	190
771-9994/005-403	182	771-9994/105-403	182	771-9994/205-503	182	771-9995/005-507	190
771-9994/005-405	182	771-9994/105-405	182	771-9994/205-505	182	771-9995/005-603	190
771-9994/005-407	182	771-9994/105-407	182	771-9994/205-507	182	771-9995/005-605	190
771-9994/005-503	182	771-9994/105-503	182	771-9994/205-603	182	771-9995/005-607	190
771-9994/005-505	182	771-9994/105-505	182	771-9994/205-605	182	771-9995/005-703	190
771-9994/005-507	182	771-9994/105-507	182	771-9994/205-607	182	771-9995/005-705	190
771-9994/005-603	182	771-9994/105-603	182	771-9994/205-703	182	771-9995/005-707	190
771-9994/005-605	182	771-9994/105-605	182	771-9994/205-705	182	771-9995/005-803	190
771-9994/005-607	182	771-9994/105-607	182	771-9994/205-707	182	771-9995/005-805	190
771-9994/005-703	182	771-9994/105-703	182	771-9994/205-803	182	771-9995/005-807	190
771-9994/005-705	182	771-9994/105-705	182	771-9994/205-805	182	771-9995/006-101	148
771-9994/005-707	182	771-9994/105-707	182	771-9994/205-807	182	771-9995/006-102	148
771-9994/005-803	182	771-9994/105-803	182	771-9994/206-101	130	771-9995/006-103	191
771-9994/005-805	182	771-9994/105-805	182	771-9994/206-102	130	771-9995/006-105	191
771-9994/005-807	182	771-9994/105-807	182	771-9994/206-103	183	771-9995/006-105	191
771-9994/006-101	130	771-9994/106-101	130	771-9994/206-105	183	771-9995/006-107	191
771-9994/006-102	130	771-9994/106-102	130	771-9994/206-107	183	771-9995/006-201	148
771-9994/006-103	183	771-9994/106-103	183	771-9994/206-201	130	771-9995/006-202	148
771-9994/006-105	183	771-9994/106-105	183	771-9994/206-202	130	771-9995/006-203	191
771-9994/006-105	183	771-9994/106-107	183	771-9994/206-203	183	771-9995/006-205	191
771-9994/006-107	183	771-9994/106-201	130	771-9994/206-205	183	771-9995/006-207	191
771-9994/006-201	130	771-9994/106-202	130	771-9994/206-207	183	771-9995/006-301	148
771-9994/006-202	130	771-9994/106-203	183	771-9994/206-301	130	771-9995/006-302	148

Item No.	Page	Item No.	Page	Item No.	Page	Item No.	Page
771 Series		771 Series		771 Series		771 Series	
771-9995/006-303	191	771-9995/105-207	190	771-9995/116-501	148	771-9995/206-801	148
771-9995/006-305	191	771-9995/105-303	190	771-9995/116-502	148	771-9995/206-802	148
771-9995/006-307	191	771-9995/105-305	190	771-9995/116-601	148	771-9995/206-803	191
771-9995/006-401	148	771-9995/105-307	190	771-9995/116-602	148	771-9995/206-805	191
771-9995/006-402	148	771-9995/105-403	190	771-9995/116-701	148	771-9995/206-807	191
771-9995/006-403	191	771-9995/105-405	190	771-9995/116-702	148	771-9995/207-101	152
771-9995/006-405	191	771-9995/105-407	190	771-9995/116-801	148	771-9995/207-102	152
771-9995/006-407	191	771-9995/105-503	190	771-9995/116-802	148	771-9995/207-201	152
771-9995/006-501	148	771-9995/105-505	190	771-9995/117-101	152	771-9995/207-202	152
771-9995/006-502	148	771-9995/105-507	190	771-9995/117-102	152	771-9995/207-301	152
771-9995/006-503	191	771-9995/105-603	190	771-9995/117-201	152	771-9995/207-302	152
771-9995/006-503	191	771-9995/105-605	190	771-9995/117-202	152	771-9995/207-401	152
771-9995/006-505	191	771-9995/105-607	190	771-9995/117-301	152	771-9995/207-402	152
771-9995/006-507	191	771-9995/105-703	190	771-9995/117-302	152	771-9995/207-501	152
771-9995/006-601	148	771-9995/105-705	190	771-9995/117-401	152	771-9995/207-502	152
771-9995/006-602	148	771-9995/105-707	190	771-9995/117-402	152	771-9995/207-601	152
771-9995/006-603	191	771-9995/105-803	190	771-9995/117-501	152	771-9995/207-602	152
771-9995/006-605	191	771-9995/105-805	190	771-9995/117-502	152	771-9995/207-701	152
771-9995/006-607	191	771-9995/105-807	190	771-9995/117-601	152	771-9995/207-702	152
771-9995/006-701	148	771-9995/106-101	148	771-9995/117-602	152	771-9995/207-801	152
771-9995/006-702	148	771-9995/106-102	148	771-9995/117-701	152	771-9995/207-802	152
771-9995/006-703	191	771-9995/106-103	191	771-9995/117-702	152	771-9995/216-101	148
771-9995/006-705	191	771-9995/106-105	191	771-9995/117-801	152	771-9995/216-102	148
771-9995/006-707	191	771-9995/106-107	191	771-9995/117-802	152	771-9995/216-201	148
771-9995/006-801	148	771-9995/106-201	148	771-9995/205-103	190	771-9995/216-202	148
771-9995/006-802	148	771-9995/106-202	148	771-9995/205-105	190	771-9995/216-301	148
771-9995/006-803	191	771-9995/106-203	191	771-9995/205-107	190	771-9995/216-302	148
771-9995/006-805	191	771-9995/106-205	191	771-9995/205-203	190	771-9995/216-401	148
771-9995/006-807	191	771-9995/106-207	191	771-9995/205-205	190	771-9995/216-402	148
771-9995/007-101	152	771-9995/106-301	148	771-9995/205-207	190	771-9995/216-501	148
771-9995/007-102	152	771-9995/106-302	148	771-9995/205-303	190	771-9995/216-502	148
771-9995/007-201	152	771-9995/106-303	191	771-9995/205-305	190	771-9995/216-601	148
771-9995/007-202	152	771-9995/106-305	191	771-9995/205-307	190	771-9995/216-602	148
771-9995/007-301	152	771-9995/106-307	191	771-9995/205-403	190	771-9995/216-701	148
771-9995/007-302	152	771-9995/106-401	148	771-9995/205-405	190	771-9995/216-702	148
771-9995/007-401	152	771-9995/106-402	148	771-9995/205-407	190	771-9995/216-801	148
771-9995/007-402	152	771-9995/106-403	191	771-9995/205-503	190	771-9995/216-802	148
771-9995/007-501	152	771-9995/106-405	191	771-9995/205-505	190	771-9995/217-101	152
771-9995/007-502	152	771-9995/106-407	191	771-9995/205-507	190	771-9995/217-102	152
771-9995/007-601	152	771-9995/106-501	148	771-9995/205-603	190	771-9995/217-201	152
771-9995/007-602	152	771-9995/106-502	148	771-9995/205-605	190	771-9995/217-202	152
771-9995/007-701	152	771-9995/106-503	191	771-9995/205-607	190	771-9995/217-301	152
771-9995/007-702	152	771-9995/106-505	191	771-9995/205-703	190	771-9995/217-302	152
771-9995/007-801	152	771-9995/106-507	191	771-9995/205-705	190	771-9995/217-401	152
771-9995/007-802	152	771-9995/106-601	148	771-9995/205-707	190	771-9995/217-402	152
771-9995/016-101	148	771-9995/106-602	148	771-9995/205-803	190	771-9995/217-501	152
771-9995/016-102	148	771-9995/106-603	191	771-9995/205-805	190	771-9995/217-502	152
771-9995/016-107	191	771-9995/106-605	191	771-9995/205-807	190	771-9995/217-601	152
771-9995/016-201	148	771-9995/106-607	191	771-9995/206-101	148	771-9995/217-602	152
771-9995/016-202	148	771-9995/106-701	148	771-9995/206-102	148	771-9995/217-701	152
771-9995/016-301	148	771-9995/106-702	148	771-9995/206-103	191	771-9995/217-702	152
771-9995/016-302	148	771-9995/106-703	191	771-9995/206-105	191	771-9995/217-801	152
771-9995/016-401	148	771-9995/106-705	191	771-9995/206-107	191	771-9995/217-802	152
771-9995/016-402	148	771-9995/106-707	191	771-9995/206-201	148		
771-9995/016-501	148	771-9995/106-801	148	771-9995/206-202	148		
771-9995/016-502	148	771-9995/106-802	148	771-9995/206-203	191	772 Series	
771-9995/016-601	148	771-9995/106-803	191	771-9995/206-205	191	772-260	224
771-9995/016-602	148	771-9995/106-805	191	771-9995/206-207	191	772-261	224
771-9995/016-701	148	771-9995/106-807	191	771-9995/206-301	148	772-262	225
771-9995/016-702	148	771-9995/107-101	152	771-9995/206-302	148	772-263	225
771-9995/016-801	148	771-9995/107-102	152	771-9995/206-303	191	772-264/060-000	224
771-9995/016-802	148	771-9995/107-201	152	771-9995/206-305	191	772-265/060-000	225
771-9995/017-101	152	771-9995/107-202	152	771-9995/206-307	191	772-266/060-000	225
771-9995/017-102	152	771-9995/107-301	152	771-9995/206-401	148	772-267	224
771-9995/017-201	152	771-9995/107-302	152	771-9995/206-402	148	772-268	225
771-9995/017-202	152	771-9995/107-401	152	771-9995/206-403	191	772-269	225
771-9995/017-301	152	771-9995/107-402	152	771-9995/206-405	191	772-271	224
771-9995/017-302	152	771-9995/107-501	152	771-9995/206-407	191	772-272	225
771-9995/017-401	152	771-9995/107-502	152	771-9995/206-501	148		
771-9995/017-402	152	771-9995/107-601	152	771-9995/206-502	148		
771-9995/017-501	152	771-9995/107-602	152	771-9995/206-503	191	774 Series	
771-9995/017-502	152	771-9995/107-701	152	771-9995/206-505	191	774-213/9900-0000	211
771-9995/017-601	152	771-9995/107-702	152	771-9995/206-507	191		
771-9995/017-602	152	771-9995/107-801	152	771-9995/206-601	148	774-1373/9900-0000	211
771-9995/017-701	152	771-9995/107-802	152	771-9995/206-602	148		
771-9995/017-702	152	771-9995/116-101	148	771-9995/206-603	191	774-9973/006-105	207
771-9995/017-801	152	771-9995/116-102	148	771-9995/206-605	191	774-9973/006-205	207
771-9995/017-802	152	771-9995/116-201	148	771-9995/206-607	191	774-9973/006-305	207
771-9995/105-103	190	771-9995/116-202	148	771-9995/206-701	148	774-9973/006-405	207
771-9995/105-105	190	771-9995/116-301	148	771-9995/206-702	148	774-9973/006-505	207
771-9995/105-107	190	771-9995/116-302	148	771-9995/206-703	191	774-9973/006-605	207
771-9995/105-203	190	771-9995/116-401	148	771-9995/206-705	191	774-9973/006-705	207
771-9995/105-205	190	771-9995/116-402	148	771-9995/206-707	191	774-9973/006-805	207

WINSTA®
Item Number Index

Item No.	Page	Item No.	Page	Item No.	Page	Item No.	Page
774 Series		774 Series		774 Series		774 Series	
774-9973/016-105	207	774-9993/007-601	209	774-9993/116-702	206	774-9993/217-101	209
774-9973/016-205	207	774-9993/007-602	209	774-9993/116-801	206	774-9993/217-102	209
774-9973/016-305	207	774-9993/007-701	209	774-9993/116-802	206	774-9993/217-201	209
774-9973/016-405	207	774-9993/007-702	209	774-9993/117-101	209	774-9993/217-202	209
774-9973/016-505	207	774-9993/007-801	209	774-9993/117-102	209	774-9993/217-301	209
774-9973/016-605	207	774-9993/007-802	209	774-9993/117-201	209	774-9993/217-302	209
774-9973/016-705	207	774-9993/016-101	206	774-9993/117-202	209	774-9993/217-401	209
774-9973/016-805	207	774-9993/016-102	206	774-9993/117-301	209	774-9993/217-402	209
774-9973/106-105	207	774-9993/016-201	206	774-9993/117-302	209	774-9993/217-501	209
774-9973/106-205	207	774-9993/016-202	206	774-9993/117-401	209	774-9993/217-502	209
774-9973/106-305	207	774-9993/016-301	206	774-9993/117-402	209	774-9993/217-601	209
774-9973/106-405	207	774-9993/016-302	206	774-9993/117-501	209	774-9993/217-602	209
774-9973/106-505	207	774-9993/016-401	206	774-9993/117-502	209	774-9993/217-701	209
774-9973/106-605	207	774-9993/016-402	206	774-9993/117-601	209	774-9993/217-702	209
774-9973/106-705	207	774-9993/016-501	206	774-9993/117-602	209	774-9993/217-801	209
774-9973/106-805	207	774-9993/016-502	206	774-9993/117-701	209	774-9993/217-802	209
774-9973/116-105	207	774-9993/016-601	206	774-9993/117-702	209		
774-9973/116-205	207	774-9993/016-602	206	774-9993/117-801	209	774-9994/006-101	210
774-9973/116-305	207	774-9993/016-701	206	774-9993/117-802	209	774-9994/006-102	210
774-9973/116-405	207	774-9993/016-702	206	774-9993/1507-101	208	774-9994/006-201	210
774-9973/116-505	207	774-9993/016-801	206	774-9993/1507-201	208	774-9994/006-202	210
774-9973/116-605	207	774-9993/016-802	206	774-9993/1507-301	208	774-9994/006-301	210
774-9973/116-705	207	774-9993/017-101	209	774-9993/1507-401	208	774-9994/006-302	210
774-9973/116-805	207	774-9993/017-102	209	774-9993/1507-501	208	774-9994/006-401	210
774-9973/1506-105	208	774-9993/017-201	209	774-9993/1507-601	208	774-9994/006-402	210
774-9973/1506-205	208	774-9993/017-202	209	774-9993/1507-701	208	774-9994/006-501	210
774-9973/1506-305	208	774-9993/017-301	209	774-9993/1507-801	208	774-9994/006-502	210
774-9973/1506-405	208	774-9993/017-302	209	774-9993/1517-101	208	774-9994/006-601	210
774-9973/1506-505	208	774-9993/017-401	209	774-9993/1517-201	208	774-9994/006-602	210
774-9973/1506-605	208	774-9993/017-402	209	774-9993/1517-301	208	774-9994/006-701	210
774-9973/1506-705	208	774-9993/017-501	209	774-9993/1517-401	208	774-9994/006-702	210
774-9973/1506-805	208	774-9993/017-502	209	774-9993/1517-501	208	774-9994/006-801	210
774-9973/1516-105	208	774-9993/017-601	209	774-9993/1517-601	208	774-9994/006-802	210
774-9973/1516-205	208	774-9993/017-602	209	774-9993/1517-701	208	774-9994/016-101	210
774-9973/1516-305	208	774-9993/017-701	209	774-9993/1517-801	208	774-9994/016-102	210
774-9973/1516-405	208	774-9993/017-702	209	774-9993/206-101	206	774-9994/016-201	210
774-9973/1516-505	208	774-9993/017-801	209	774-9993/206-102	206	774-9994/016-202	210
774-9973/1516-605	208	774-9993/017-802	209	774-9993/206-201	206	774-9994/016-301	210
774-9973/1516-705	208	774-9993/106-101	206	774-9993/206-202	206	774-9994/016-302	210
774-9973/1516-805	208	774-9993/106-102	206	774-9993/206-301	206	774-9994/016-401	210
774-9973/206-105	207	774-9993/106-201	206	774-9993/206-302	206	774-9994/016-402	210
774-9973/206-205	207	774-9993/106-202	206	774-9993/206-401	206	774-9994/016-501	210
774-9973/206-305	207	774-9993/106-301	206	774-9993/206-402	206	774-9994/016-502	210
774-9973/206-405	207	774-9993/106-302	206	774-9993/206-501	206	774-9994/016-601	210
774-9973/206-505	207	774-9993/106-401	206	774-9993/206-502	206	774-9994/016-602	210
774-9973/206-605	207	774-9993/106-402	206	774-9993/206-601	206	774-9994/016-701	210
774-9973/206-705	207	774-9993/106-501	206	774-9993/206-602	206	774-9994/016-702	210
774-9973/206-805	207	774-9993/106-502	206	774-9993/206-701	206	774-9994/016-801	210
774-9973/216-105	207	774-9993/106-601	206	774-9993/206-702	206	774-9994/016-802	210
774-9973/216-205	207	774-9993/106-602	206	774-9993/206-801	206	774-9994/106-101	210
774-9973/216-305	207	774-9993/106-701	206	774-9993/206-802	206	774-9994/106-102	210
774-9973/216-405	207	774-9993/106-702	206	774-9993/207-101	209	774-9994/106-201	210
774-9973/216-505	207	774-9993/106-801	206	774-9993/207-102	209	774-9994/106-202	210
774-9973/216-605	207	774-9993/106-802	206	774-9993/207-201	209	774-9994/106-301	210
774-9973/216-705	207	774-9993/107-101	209	774-9993/207-202	209	774-9994/106-302	210
774-9973/216-805	207	774-9993/107-102	209	774-9993/207-301	209	774-9994/106-401	210
		774-9993/107-201	209	774-9993/207-302	209	774-9994/106-402	210
774-9993/006-101	206	774-9993/107-202	209	774-9993/207-401	209	774-9994/106-501	210
774-9993/006-102	206	774-9993/107-301	209	774-9993/207-402	209	774-9994/106-502	210
774-9993/006-201	206	774-9993/107-302	209	774-9993/207-501	209	774-9994/106-601	210
774-9993/006-202	206	774-9993/107-401	209	774-9993/207-502	209	774-9994/106-602	210
774-9993/006-301	206	774-9993/107-402	209	774-9993/207-601	209	774-9994/106-701	210
774-9993/006-302	206	774-9993/107-501	209	774-9993/207-602	209	774-9994/106-702	210
774-9993/006-401	206	774-9993/107-502	209	774-9993/207-701	209	774-9994/106-801	210
774-9993/006-402	206	774-9993/107-601	209	774-9993/207-702	209	774-9994/106-802	210
774-9993/006-501	206	774-9993/107-602	209	774-9993/207-801	209	774-9994/116-101	210
774-9993/006-502	206	774-9993/107-701	209	774-9993/207-802	209	774-9994/116-102	210
774-9993/006-601	206	774-9993/107-702	209	774-9993/216-101	206	774-9994/116-201	210
774-9993/006-602	206	774-9993/107-801	209	774-9993/216-102	206	774-9994/116-202	210
774-9993/006-701	206	774-9993/107-802	209	774-9993/216-201	206	774-9994/116-301	210
774-9993/006-702	206	774-9993/116-101	206	774-9993/216-202	206	774-9994/116-302	210
774-9993/006-801	206	774-9993/116-102	206	774-9993/216-301	206	774-9994/116-401	210
774-9993/006-802	206	774-9993/116-201	206	774-9993/216-302	206	774-9994/116-402	210
774-9993/007-101	209	774-9993/116-202	206	774-9993/216-401	206	774-9994/116-501	210
774-9993/007-102	209	774-9993/116-301	206	774-9993/216-402	206	774-9994/116-502	210
774-9993/007-201	209	774-9993/116-302	206	774-9993/216-501	206	774-9994/116-601	210
774-9993/007-202	209	774-9993/116-401	206	774-9993/216-502	206	774-9994/116-602	210
774-9993/007-301	209	774-9993/116-402	206	774-9993/216-601	206	774-9994/116-701	210
774-9993/007-302	209	774-9993/116-501	206	774-9993/216-602	206	774-9994/116-702	210
774-9993/007-401	209	774-9993/116-502	206	774-9993/216-701	206	774-9994/116-801	210
774-9993/007-402	209	774-9993/116-601	206	774-9993/216-702	206	774-9994/116-802	210
774-9993/007-501	209	774-9993/116-602	206	774-9993/216-801	206	774-9994/206-101	210
774-9993/007-502	209	774-9993/116-701	206	774-9993/216-802	206	774-9994/206-102	210

Item No.	Page	Item No.	Page	Item No.	Page	Item No.	Page
774 Series		890 Series		890 Series		890 Series	
774-9994/206-201	210	890-243/062-000	54	890-514	29	890-754/060-000	63
774-9994/206-202	210	890-244	62	890-515	37	890-754/062-000	63
774-9994/206-301	210	890-244/060-000	62	890-523	20	890-754/064-000	63
774-9994/206-302	210	890-244/062-000	62	890-601	13	890-755	71
774-9994/206-401	210	890-244/064-000	62	890-603	23	890-755/060-000	71
774-9994/206-402	210	890-245	70	890-605	39	890-755/062-000	71
774-9994/206-501	210	890-245/060-000	70	890-606	23	890-762	48
774-9994/206-502	210	890-245/062-000	70	890-615	23	890-763	55
774-9994/206-601	210	890-252	47	890-617	39	890-763/071-000	55
774-9994/206-602	210	890-252/060-000	47	890-619	39	890-763/073-000	55
774-9994/206-701	210	890-253	54	890-620	39	890-764	63
774-9994/206-702	210	890-253/060-000	54	890-621	39	890-764/071-000	63
774-9994/206-801	210	890-253/062-000	54	890-622	39	890-764/072-000	63
774-9994/206-802	210	890-254	62	890-623	39	890-764/073-000	63
774-9994/216-101	210	890-254/060-000	62	890-624	23	890-765	71
774-9994/216-102	210	890-254/062-000	62	890-624	31	890-765/073-000	71
774-9994/216-201	210	890-254/064-000	62	890-625	39	890-772	48
774-9994/216-202	210	890-255	70	890-626	31	890-773	55
774-9994/216-301	210	890-255/060-000	70	890-627	31	890-773	55
774-9994/216-302	210	890-255/062-000	70	890-634	23	890-773/071-000	55
774-9994/216-401	210	890-262	47	890-636	23	890-774	63
774-9994/216-402	210	890-263	54	890-642	12	890-774/071-000	63
774-9994/216-501	210	890-263/071-000	54	890-643	22	890-774/072-000	63
774-9994/216-502	210	890-263/073-000	54	890-644	30	890-774/073-000	63
774-9994/216-601	210	890-264	62	890-653	23	890-775	71
774-9994/216-602	210	890-264/071-000	62	890-655	39	890-775/073-000	71
774-9994/216-701	210	890-264/072-000	62	890-656	23	890-782	48
774-9994/216-702	210	890-264/073-000	62	890-665	23	890-782/080-000	48
774-9994/216-801	210	890-265	70	890-671	39	890-782/082-000	48
774-9994/216-802	210	890-265/073-000	70	890-672	39	890-783	55
		890-272	47	890-673	23	890-783/081-000	55
		890-273	54	890-674	31	890-783/082-000	55
831 Series		890-273	54	890-675	39	890-784	63
831-3105/019-004	203	890-273/071-000	54	890-676	31	890-784/081-000	63
831-3105/019-050	203	890-274	62	890-677	31	890-785	71
831-3205/020-004	203	890-274/071-000	62	890-684	23	890-785/080-000	71
831-3205/020-050	203	890-274/072-000	62	890-686	23	890-785/082-000	71
		890-274/073-000	62	890-692	12	890-792	48
		890-275	70	890-693	22	890-792/080-000	48
		890-275/073-000	70	890-694	30	890-792/082-000	48
888 Series		890-282	47	890-702	12	890-793	55
888-414/101-101	281	890-282/080-000	47	890-703	22	890-793/081-000	55
		890-282/082-000	47	890-703/006-000	22	890-793/082-000	55
		890-283	54	890-704	30	890-794	63
890 Series		890-283/081-000	54	890-705	38	890-794/081-000	63
890-102	10	890-283/082-000	54	890-705/006-000	38	890-795	71
890-103	20	890-284	62	890-712	12	890-795/080-000	71
890-104	28	890-284/081-000	62	890-713	22	890-795/082-000	71
890-105	36	890-285	70	890-713/006-000	22	890-802	14
890-111	10	890-285/080-000	70	890-714	30	890-802/011-000	15
890-112	10	890-285/082-000	70	890-715	38	890-803	24
890-113	20	890-292	47	890-715/006-000	38	890-803/011-000	25
890-114	28	890-292/080-000	47	890-722	12	890-804	32
890-115	36	890-292/082-000	47	890-723	22	890-804/011-000	33
890-122	10	890-293	54	890-723/006-000	22	890-805	40
890-123	20	890-293/081-000	54	890-724	30	890-805/011-000	41
890-124	28	890-293/082-000	54	890-725	38	890-812	14
890-125	36	890-294	62	890-725/006-000	38	890-812/011-000	15
890-131	10	890-294/081-000	62	890-732	12	890-813	24
890-132	10	890-295	70	890-733	22	890-813/011-000	25
890-133	20	890-295/080-000	70	890-733/006-000	22	890-814	32
890-134	28	890-295/082-000	70	890-734	30	890-814/011-000	33
890-135	36	890-302	274	890-735	38	890-815	40
		890-303	274	890-735/006-000	38	890-815/011-000	41
890-202	11	890-304	274	890-742	48	890-822	14
890-203	21	890-305	274	890-742/060-000	48	890-822/011-000	15
890-204	29	890-310	10	890-743	55	890-823	24
890-205	37	890-311	10	890-743/060-000	55	890-823/011-000	25
890-212	11	890-343	28	890-743/062-000	55	890-824	32
890-213	21	890-382	278	890-744	63	890-824/011-000	33
890-214	29	890-383	278	890-744/060-000	63	890-825	40
890-215	37	890-384	278	890-744/062-000	63	890-825/011-000	41
890-222	11	890-385	278	890-744/064-000	63	890-832	14
890-223	21	890-502	11	890-745	71	890-832/011-000	15
890-224	29	890-502/342-000	11	890-745/060-000	71	890-833	24
890-225	37	890-503	21	890-745/062-000	71	890-833/011-000	25
890-232	11	890-504	29	890-752	48	890-834	32
890-233	21	890-505	37	890-752/060-000	48	890-834/011-000	33
890-234	29	890-512	11	890-753	55	890-835	40
890-235	37	890-512/342-000	11	890-753/060-000	55	890-835/011-000	41
890-242	47	890-513	21	890-753/062-000	55	890-842	50
890-242/060-000	47			890-754	63	890-842/011-000	51
890-243	54						
890-243/060-000	54						

WINSTA®
Item Number Index

Item No.	Page	Item No.	Page	Item No.	Page	Item No.	Page
890 Series		890 Series		891 Series		891 Series	
890-844/011-000	65	890-1682	66	891-8982/106-701	18	891-8985/016-801	43
890-843	56	890-1683	66	891-8982/106-702	18	891-8985/016-802	43
890-843/011-000	57	890-1684	13	891-8982/106-801	18	891-8985/106-101	43
890-844	64	890-1686	13	891-8982/106-802	18	891-8985/106-102	43
890-845	72			891-8982/116-101	18	891-8985/106-201	43
890-845/011-000	73	890-1701	49	891-8982/116-102	18	891-8985/106-202	43
890-852	50	890-1702	49	891-8982/116-201	18	891-8985/106-301	43
890-852/011-000	51	890-1703	49	891-8982/116-202	18	891-8985/106-302	43
890-854/011-000	65	890-1731	66	891-8982/116-301	18	891-8985/106-401	43
890-853	56	890-1732	66	891-8982/116-302	18	891-8985/106-402	43
890-853/011-000	57	890-1733	66	891-8982/116-401	18	891-8985/106-501	43
890-854	64	890-1734	67	891-8982/116-402	18	891-8985/106-502	43
890-855	72	890-1735	67	891-8982/116-501	18	891-8985/106-601	43
890-855/011-000	73	890-1736	67	891-8982/116-502	18	891-8985/106-602	43
890-862	50	890-1761	58	891-8982/116-601	18	891-8985/106-701	43
890-862/011-000	51	890-1762	58	891-8982/116-602	18	891-8985/106-702	43
890-864/011-000	65	890-1763	58	891-8982/116-701	18	891-8985/106-801	43
890-863	56	890-1781	66	891-8982/116-702	18	891-8985/106-802	43
890-863/011-000	57	890-1782	66	891-8982/116-801	18	891-8985/116-101	43
890-864	64	890-1783	66	891-8982/116-802	18	891-8985/116-102	43
890-865	72			891-8982/206-101	18	891-8985/116-201	43
890-865/011-000	73	890-2102	12	891-8982/206-102	18	891-8985/116-202	43
890-872	50	890-2105	38	891-8982/206-201	18	891-8985/116-301	43
890-872/011-000	51	890-2105/006-000	38	891-8982/206-202	18	891-8985/116-302	43
890-874/011-000	65	890-2112	12	891-8982/206-301	18	891-8985/116-401	43
890-873	56	890-2115	38	891-8982/206-302	18	891-8985/116-402	43
890-873/011-000	57	890-2115/006-000	38	891-8982/206-401	18	891-8985/116-501	43
890-874	64			891-8982/206-402	18	891-8985/116-502	43
890-875	72	890-3102	14	891-8982/206-501	18	891-8985/116-601	43
890-875/011-000	73	890-3102/011-000	15	891-8982/206-502	18	891-8985/116-602	43
890-882	50	890-3105	40	891-8982/206-601	18	891-8985/116-701	43
890-882/011-000	51	890-3105/011-000	41	891-8982/206-602	18	891-8985/116-702	43
890-884/011-000	65	890-3112	14	891-8982/206-701	18	891-8985/116-801	43
890-883	56	890-3112/011-000	15	891-8982/206-702	18	891-8985/116-802	43
890-883/011-000	57	890-3115	40	891-8982/206-801	18	891-8985/206-101	43
890-884	64	890-3115/011-000	41	891-8982/206-802	18	891-8985/206-102	43
890-885	72			891-8982/216-101	18	891-8985/206-201	43
890-885/011-000	73			891-8982/216-102	18	891-8985/206-202	43
890-892	50	891 Series		891-8982/216-201	18	891-8985/206-301	43
890-892/011-000	51	891-8982/006-101	18	891-8982/216-202	18	891-8985/206-302	43
890-894/011-000	65	891-8982/006-102	18	891-8982/216-301	18	891-8985/206-401	43
890-893	56	891-8982/006-201	18	891-8982/216-302	18	891-8985/206-402	43
890-893/011-000	57	891-8982/006-202	18	891-8982/216-401	18	891-8985/206-501	43
890-894	64	891-8982/006-301	18	891-8982/216-402	18	891-8985/206-502	43
890-895	72	891-8982/006-302	18	891-8982/216-501	18	891-8985/206-601	43
890-895/011-000	73	891-8982/006-401	18	891-8982/216-502	18	891-8985/206-602	43
		891-8982/006-402	18	891-8982/216-601	18	891-8985/206-701	43
890-929	39	891-8982/006-501	18	891-8982/216-602	18	891-8985/206-702	43
890-930	39	891-8982/006-502	18	891-8982/216-701	18	891-8985/206-801	43
890-944	31	891-8982/006-601	18	891-8982/216-702	18	891-8985/206-802	43
890-945	31	891-8982/006-602	18	891-8982/216-801	18	891-8985/216-101	43
890-979	39	891-8982/006-701	18	891-8982/216-802	18	891-8985/216-102	43
890-980	39	891-8982/006-702	18			891-8985/216-201	43
890-982	39	891-8982/006-801	18	891-8985/006-101	43	891-8985/216-202	43
890-983	39	891-8982/006-802	18	891-8985/006-102	43	891-8985/216-301	43
890-994	31	891-8982/016-101	18	891-8985/006-201	43	891-8985/216-302	43
890-995	31	891-8982/016-102	18	891-8985/006-202	43	891-8985/216-401	43
		891-8982/016-201	18	891-8985/006-301	43	891-8985/216-402	43
890-1102	11	891-8982/016-202	18	891-8985/006-302	43	891-8985/216-501	43
890-1105	37	891-8982/016-301	18	891-8985/006-401	43	891-8985/216-502	43
890-1112	11	891-8982/016-302	18	891-8985/006-402	43	891-8985/216-601	43
890-1115	37	891-8982/016-401	18	891-8985/006-501	43	891-8985/216-602	43
		891-8982/016-402	18	891-8985/006-502	43	891-8985/216-701	43
890-1601	49	891-8982/016-501	18	891-8985/006-601	43	891-8985/216-702	43
890-1602	49	891-8982/016-502	18	891-8985/006-602	43	891-8985/216-801	43
890-1603	49	891-8982/016-601	18	891-8985/006-701	43	891-8985/216-802	43
890-1606	13	891-8982/016-602	18	891-8985/006-702	43		
890-1615	13	891-8982/016-701	18	891-8985/006-801	43	891-8992/005-101	16
890-1617	13	891-8982/016-702	18	891-8985/006-802	43	891-8992/005-102	16
890-1620	13	891-8982/016-801	18	891-8985/016-101	43	891-8992/005-103	52
890-1622	13	891-8982/016-802	18	891-8985/016-102	43	891-8992/005-105	52
890-1631	66	891-8982/106-101	18	891-8985/016-201	43	891-8992/005-105	53
890-1632	66	891-8982/106-102	18	891-8985/016-202	43	891-8992/005-107	52
890-1633	66	891-8982/106-201	18	891-8985/016-301	43	891-8992/005-201	16
890-1634	13	891-8982/106-202	18	891-8985/016-302	43	891-8992/005-202	16
890-1636	13	891-8982/106-301	18	891-8985/016-401	43	891-8992/005-203	52
890-1656	13	891-8982/106-302	18	891-8985/016-402	43	891-8992/005-205	52
890-1661	58	891-8982/106-401	18	891-8985/016-501	43	891-8992/005-207	52
890-1662	58	891-8982/106-402	18	891-8985/016-502	43	891-8992/005-301	16
890-1663	58	891-8982/106-501	18	891-8985/016-601	43	891-8992/005-302	16
890-1665	13	891-8982/106-502	18	891-8985/016-602	43	891-8992/005-303	52
890-1672	13	891-8982/106-601	18	891-8985/016-701	43	891-8992/005-305	52
890-1681	66	891-8982/106-602	18	891-8985/016-702	43	891-8992/005-307	52

Item No.	Page	Item No.	Page	Item No.	Page	Item No.	Page
891 Series		891 Series		891 Series		891 Series	
891-8992/005-401	16	891-8992/016-102	17	891-8992/106-603	53	891-8992/205-805	52
891-8992/005-402	16	891-8992/016-107	53	891-8992/106-605	53	891-8992/205-807	52
891-8992/005-403	52	891-8992/016-201	17	891-8992/106-607	53	891-8992/206-101	17
891-8992/005-405	52	891-8992/016-202	17	891-8992/106-701	17	891-8992/206-102	17
891-8992/005-407	52	891-8992/016-301	17	891-8992/106-702	17	891-8992/206-103	53
891-8992/005-501	16	891-8992/016-302	17	891-8992/106-703	53	891-8992/206-105	53
891-8992/005-502	16	891-8992/016-401	17	891-8992/106-705	53	891-8992/206-107	53
891-8992/005-503	52	891-8992/016-402	17	891-8992/106-707	53	891-8992/206-201	17
891-8992/005-505	52	891-8992/016-501	17	891-8992/106-801	17	891-8992/206-202	17
891-8992/005-507	52	891-8992/016-502	17	891-8992/106-802	17	891-8992/206-203	53
891-8992/005-601	16	891-8992/016-601	17	891-8992/106-803	53	891-8992/206-205	53
891-8992/005-602	16	891-8992/016-602	17	891-8992/106-805	53	891-8992/206-207	53
891-8992/005-603	52	891-8992/016-701	17	891-8992/106-807	53	891-8992/206-301	17
891-8992/005-605	52	891-8992/016-702	17	891-8992/115-101	16	891-8992/206-302	17
891-8992/005-607	52	891-8992/016-801	17	891-8992/115-102	16	891-8992/206-303	53
891-8992/005-701	16	891-8992/016-802	17	891-8992/115-201	16	891-8992/206-305	53
891-8992/005-702	16	891-8992/105-101	16	891-8992/115-202	16	891-8992/206-307	53
891-8992/005-703	52	891-8992/105-102	16	891-8992/115-301	16	891-8992/206-401	17
891-8992/005-705	52	891-8992/105-103	52	891-8992/115-302	16	891-8992/206-402	17
891-8992/005-707	52	891-8992/105-105	52	891-8992/115-401	16	891-8992/206-403	53
891-8992/005-801	16	891-8992/105-107	52	891-8992/115-402	16	891-8992/206-405	53
891-8992/005-802	16	891-8992/105-201	16	891-8992/115-501	16	891-8992/206-407	53
891-8992/005-803	52	891-8992/105-202	16	891-8992/115-502	16	891-8992/206-501	17
891-8992/005-805	52	891-8992/105-203	52	891-8992/115-601	16	891-8992/206-502	17
891-8992/005-807	52	891-8992/105-205	52	891-8992/115-602	16	891-8992/206-503	53
891-8992/006-101	17	891-8992/105-207	52	891-8992/115-701	16	891-8992/206-505	53
891-8992/006-102	17	891-8992/105-301	16	891-8992/115-702	16	891-8992/206-507	53
891-8992/006-103	53	891-8992/105-302	16	891-8992/115-801	16	891-8992/206-601	17
891-8992/006-105	53	891-8992/105-303	52	891-8992/115-802	16	891-8992/206-602	17
891-8992/006-107	53	891-8992/105-305	52	891-8992/116-101	17	891-8992/206-603	53
891-8992/006-201	17	891-8992/105-307	52	891-8992/116-102	17	891-8992/206-605	53
891-8992/006-202	17	891-8992/105-401	16	891-8992/116-201	17	891-8992/206-607	53
891-8992/006-203	53	891-8992/105-402	16	891-8992/116-202	17	891-8992/206-701	17
891-8992/006-205	53	891-8992/105-403	52	891-8992/116-301	17	891-8992/206-702	17
891-8992/006-207	53	891-8992/105-405	52	891-8992/116-302	17	891-8992/206-703	53
891-8992/006-301	17	891-8992/105-407	52	891-8992/116-401	17	891-8992/206-705	53
891-8992/006-302	17	891-8992/105-501	16	891-8992/116-402	17	891-8992/206-707	53
891-8992/006-303	53	891-8992/105-502	16	891-8992/116-501	17	891-8992/206-801	17
891-8992/006-305	53	891-8992/105-503	52	891-8992/116-502	17	891-8992/206-802	17
891-8992/006-307	53	891-8992/105-505	52	891-8992/116-601	17	891-8992/206-803	53
891-8992/006-401	17	891-8992/105-507	52	891-8992/116-602	17	891-8992/206-805	53
891-8992/006-402	17	891-8992/105-601	16	891-8992/116-701	17	891-8992/206-807	53
891-8992/006-403	53	891-8992/105-602	16	891-8992/116-702	17	891-8992/215-101	16
891-8992/006-405	53	891-8992/105-603	52	891-8992/116-801	17	891-8992/215-102	16
891-8992/006-407	53	891-8992/105-605	52	891-8992/116-802	17	891-8992/215-201	16
891-8992/006-501	17	891-8992/105-607	52	891-8992/205-101	16	891-8992/215-202	16
891-8992/006-502	17	891-8992/105-701	16	891-8992/205-102	16	891-8992/215-301	16
891-8992/006-503	53	891-8992/105-702	16	891-8992/205-103	52	891-8992/215-302	16
891-8992/006-503	53	891-8992/105-703	52	891-8992/205-105	52	891-8992/215-401	16
891-8992/006-505	53	891-8992/105-705	52	891-8992/205-107	52	891-8992/215-402	16
891-8992/006-507	53	891-8992/105-707	52	891-8992/205-201	16	891-8992/215-501	16
891-8992/006-601	17	891-8992/105-801	16	891-8992/205-202	16	891-8992/215-502	16
891-8992/006-602	17	891-8992/105-802	16	891-8992/205-203	52	891-8992/215-601	16
891-8992/006-603	53	891-8992/105-803	52	891-8992/205-205	52	891-8992/215-602	16
891-8992/006-605	53	891-8992/105-805	52	891-8992/205-207	52	891-8992/215-701	16
891-8992/006-607	53	891-8992/105-807	52	891-8992/205-301	16	891-8992/215-702	16
891-8992/006-701	17	891-8992/106-101	17	891-8992/205-302	16	891-8992/215-801	16
891-8992/006-702	17	891-8992/106-102	17	891-8992/205-303	52	891-8992/215-802	16
891-8992/006-703	53	891-8992/106-103	53	891-8992/205-305	52	891-8992/216-101	17
891-8992/006-705	53	891-8992/106-105	53	891-8992/205-307	52	891-8992/216-102	17
891-8992/006-707	53	891-8992/106-107	53	891-8992/205-401	16	891-8992/216-201	17
891-8992/006-801	17	891-8992/106-201	17	891-8992/205-402	16	891-8992/216-202	17
891-8992/006-802	17	891-8992/106-202	17	891-8992/205-403	52	891-8992/216-301	17
891-8992/006-803	53	891-8992/106-203	53	891-8992/205-405	52	891-8992/216-302	17
891-8992/006-805	53	891-8992/106-205	53	891-8992/205-407	52	891-8992/216-401	17
891-8992/006-807	53	891-8992/106-207	53	891-8992/205-501	16	891-8992/216-402	17
891-8992/015-101	16	891-8992/106-301	17	891-8992/205-502	16	891-8992/216-501	17
891-8992/015-102	16	891-8992/106-302	17	891-8992/205-503	52	891-8992/216-502	17
891-8992/015-201	16	891-8992/106-303	53	891-8992/205-505	52	891-8992/216-601	17
891-8992/015-202	16	891-8992/106-305	53	891-8992/205-507	52	891-8992/216-602	17
891-8992/015-301	16	891-8992/106-307	53	891-8992/205-601	16	891-8992/216-701	17
891-8992/015-302	16	891-8992/106-401	17	891-8992/205-602	16	891-8992/216-702	17
891-8992/015-401	16	891-8992/106-402	17	891-8992/205-603	52	891-8992/216-801	17
891-8992/015-402	16	891-8992/106-403	53	891-8992/205-605	52	891-8992/216-802	17
891-8992/015-501	16	891-8992/106-405	53	891-8992/205-607	52		
891-8992/015-502	16	891-8992/106-407	53	891-8992/205-701	16	891-8993/005-101	26
891-8992/015-601	16	891-8992/106-501	17	891-8992/205-702	16	891-8993/005-102	26
891-8992/015-602	16	891-8992/106-502	17	891-8992/205-703	52	891-8993/005-103	60
891-8992/015-701	16	891-8992/106-503	53	891-8992/205-705	52	891-8993/005-105	60
891-8992/015-702	16	891-8992/106-505	53	891-8992/205-707	52	891-8993/005-105	61
891-8992/015-801	16	891-8992/106-507	53	891-8992/205-801	16	891-8993/005-107	60
891-8992/015-802	16	891-8992/106-601	17	891-8992/205-802	16	891-8993/005-201	26
891-8992/016-101	17	891-8992/106-602	17	891-8992/205-803	52	891-8993/005-202	26

Item No.	Page	Item No.	Page	Item No.	Page	Item No.	Page

WAGO Worldwide

- Companies and Representatives -

Algeria
please contact WAGO France

Argentina
Bruno Schillig S.A.
Arenales 4030, B1604CFD
Florida, PBA
Phone +54 11 4730 1100
Fax +54 11 4761 7244
wago@schillig.com.ar

Australia
Kontakt Group
Building Automation & WINSTA Systems
Office: 730 Springvale Rd
Mulgrave Victoria 3170
P.O. Box 3003, Wheelers Hill VIC 3150
Tel. +61 03 95602757
Fax +61 03 95601727
sales@kontaktgroup.com.au

NHP ELECTRICAL ENGINEERING PRODUCTS PTY LTD
43-67 River Street
Richmond, Victoria, 3121, P.O. Box 199
Phone +61 3 9429 2999
Fax +61 3 9429 1075
export@wago.com

Austria
WAGO Kontakttechnik Ges.m.b.H.
Laxenburger Straße 244
1230 Wien
Phone +43 1 6150780
Fax +43 1 6150775
info.at@wago.com

Azerbaijan
AZ Technics LTD
Zulfi V. Alizade
Y.Safarov str.33 , AZ1025,
Baku
Republic of Azerbaijan
Tel. +994 12 4968335
Fax +994 12 4968334
info@AZtechnics.az

Belarus
OOO FEK
pr-t Pushkina 29-B
220015 Minsk
Phone +375 17 2102189
Fax +375 17 2102189
wago@fek.by

UE ATAVA
ul. Denisovskaya, 47, office 1
220006 Minsk
Phone +375 17 2054015
Fax +375 17 2851759

Belgium
WAGO Kontakttechnik
Excelsiorlaan 11
1930 Zaventem
Phone +32 2 7179090
Fax +32 2 7179099
info-be@wago.com

Bolivia
Kohn s.r.l.
Barrio Conifag
C/Toborochi #6, Zona Norte
Santa Cruz
Tel. +591 3 3120272
Fax +591 3 3120272

Bosnia and Herzegovina
please contact WAGO Bulgaria

Brazil
WAGO Eletroeletrônicos Ltda
Rua Américo Simões 1470
São Roque da Chave
Itupeva SP Brasil 13295-000
Phone +55 11 4591 0199
Fax +55 11 4591 0190
info.br@wago.com

Bulgaria
WAGO Kontakttechnik GmbH & Co. KG/
Representative Office Sofia
Business Center Serdika
2E Akad. Ivan Geshov Blvd.
Building 1, Floor 4, Office 417
1330 Sofia
Tel. +359 2 489 46 09
Fax +359 2 928 28 50
info-BG@wago.com

Canada
please contact WAGO USA

Chile
Desimat Chile
Av Puerto Vespuccio 9670
Pudahuel Santiago
Phone +56 2 7470152
Fax +56 2 7470153
ventaschile@desimat.cl

China
WAGO ELECTRONIC (TIANJIN) Co. LTD
No.5, Quan Hui Road, Wuqing Development Area
Tianjin 301700
Phone +86 22 59617688
Fax +86 22 59617668
info-cn@wago.com

Columbia
T.H.L. Ltda.
Cra. 49 B # 91-33
Bogotá
Phone +57 1 621 85 50
Fax +57 1 621 60 28
ventas.thl@thl-ltda.com

Croatia
M.B.A. d.o.o. za trgovinu i zastupanje
Frana Supila 5
51211 Matulji HR
Phone +385 51 275-736
Fax +385 51 275-066
mba@ri.hinet.hr

GENERA CTR d.o.o.
- just for automation technology -
Siget 18 b
10020 Zagreb
Phone +385 13647849
Fax +385 13636662
wago@geneza.hr

Czech Republic
WAGO Elektro spol. sr. o.
Rozvodova 1116/36
143 00 Praha 4 - Modřany
Phone +420 261 090 143
Fax +420 261 090 144
info.cz@wago.com

Denmark
WAGO Danmark
Filial of WAGO Kontakttechnik GmbH & Co. KG
Lejrvej 17
3500 Værløse
Phone +45 44 357777
Fax +45 44 357787
salg.dk@wago.com

Ecuador
ECUAINSETEC CIA LTDA
El Zurriago E9-32 y el Vengador
Quito
Tel. +593 2 2 26 91 48
Fax +593 2 2 46 18 33
g.castro@ecuainsetec.com.ec

Egypt
IBN Engineering Instrumentation & Control
71 a El Shaheed Ahmed Hamdi St.
King Faisal, Giza
Phone +20 2 7214350
Fax +20 2 7221709
sales@ibnengineering.com

Estonia
Eltarko OÜ
Laki 14 - 502
10621 Tallinn
Phone +372 651 7731
Fax +372 651 7786
andres@eltarko.ee

Finland
WAGO Kontakttechnik GmbH & Co. KG
Filial i Finland
Vellamonkatu 30 B
00550 Helsinki
Phone +358 9 7744 060
Fax +358 9 7744 0660
tilaus@wago.fi

France
WAGO CONTACT SAS
Paris Nord 2
83 Rue des Chardonnerets
B.P. 55065 - Tremblay en France
95947 - ROISSY-CDG CEDEX
Phone +33 1 48172590
Fax +33 1 48632520
info-fr@wago.com

Germany
WAGO Kontakttechnik GmbH & Co. KG
Postfach 28 80, 32385 Minden
Hansastraße 27
32423 Minden
Phone +49 571 887-0
Fax +49 571 887-169
info@wago.com

WAGO Kontakttechnik GmbH & Co. KG
Waldstraße 1
99706 Sondershausen
Phone +49 3632 659-0
Fax +49 3632 659-100
info@wago.com

Great Britain
WAGO Limited
Triton Park, Swift Valley Industrial Estate
RUGBY
Warwickshire, CV21 1SG
Phone +44 1788 568008
Fax +44 1788 568050
uksales@wago.com

Greece
PANAGIOTIS SP. DIMOULAS - BIOMAT
DIMOULAS AUTOMATIONS
Kritis Str. 26
10439 Athen
Tel. +30 210 883 3337
Fax +30 210 883 4436
wago.info@dimoulas.com.gr

Honduras
CILASAS S.A. de C.V.
Barrio los Andes
7 Calle entre 14 y 15 Ave. N.O.
P.O. Box. 1061
San Pedro Sula
Tel. +504 25571146/7
Fax +504 25571149

Hong Kong
National Concord Eng., Ltd.
Unit A-B, 5/F,
Southeast Industrial Building
611-619 Castle Peak Road
Tsuen Wan, N.T.
Phone +852 24292611
Fax +852 24292164
sales@nce.com.hk

Hungary
WAGO Hungária KFT
Ipari Park, Gyár u. 2
2040 Budapest
Phone +36 23 502-170
Fax +36 23 502-166
info.hu@wago.com

Iceland
S. Gudjonsson ehf.
Audbrekkur 9-11
202 Kopavogur
Phone +354 520-4500
Fax +354 520-4501
export@wago.com

India
WAGO LTD.
C-27, Sector-58, Phase-III
Noida-201 301
Gautam Budh Nagar (U.P.)
Tel. +91 120 2 580409 10
Fax +91 120 2 580081
info@wagoindia.com

Indonesia
please contact WAGO Singapore

Iraq
please contact WAGO Middle East

Ireland
Drives & Controls
Unit F4, Riverview Business Park
Nangor Road
Dublin 12
Phone +353 1 4604474
Fax +353 1 4604507
wago@drivesandcontrols.ie

Israel
Comtel Israel Electronic Solutions Ltd.
Bet Hapaamon
20 Hataas Street
P.O. Box 66
44425 Kfar-Saba
Phone +972 9 76 77 240
Fax +972 9 76 77 243
sales@comtel.co.il

Italy
WAGO ELETTRONICA SRL a Socio Unico
Via Parini 1
40033 Casalecchio di Reno (BO)
Tel. +39 051 6132112
Fax +39 051 6272174
info-ita@wago.com

Japan
WAGO Co. of JAPAN Ltd.
Nittetsu ND-Tower Building 4F
5-7, Kameido 1-chome
Koto-Ku
Tokyo 136-0071
Tel. +81 3 5627 2050
Fax +81 3 5627 2055
info-jp@wago.com

Jordan
please contact WAGO Middle East

Kazakhstan
TOO INTANT
ul. Muratbaeva, d. 61
050026 Almaty
Tel. +7 727 2371492
Fax +7 727 2980151
info@intant.kz

TOO Technik-Trade
ul. i. A. Protosanova, 81
070004 Ust-Kamenogorsk
Tel. +7 7232 254064
Fax +7 7232 253251
info@technik.kz

ITC Electronics: Almaty
Prospekt Raiymbeka 221 ?/4
050016 Almaty
Kazakhstan
Tel. +7 727 2797117
Fax +7 727 2339344

Korea
WAGO Korea Co., Ltd.
#205 Anyang Mega Valley
Dongan-gu, Anyang-si
Kyunggi-do, South Korea
Phone +82 3142 12470
export@wago.com

Kosovo
please contact WAGO Bulgaria

Latvia
INSTABALT LATVIA SIA
Vestienas iela 6
Riga, LV-1035
Phone +371 790 1188
Fax +371 790 1180
info@instabalt.lv

Lebanon
Gemayel Trading & Contracting
Antonins Project
P.O. BOX 70-1096
Antelias, Lebanon
Phone +961 4 521 029
Fax +961 4 521 029
gtc.libanon@gmail.com

Lithuania
INSTABALT LIT UAB
Savanoriu 187
Vilnius, 2053
Phone +370 52 322 295
Fax +370 52 322 247
info@instabalt.lt

Luxembourg

please contact WAGO Belgium

Macedonia

please contact WAGO Bulgaria

Kompjunit Inzenering
Vladimir Komarov 1A-3/9
1000 Skopje
Republic of Macedonia
Tel. +389 2 521 12 00
Tel. +389 2 246 11 08

Malaysia

WAGO Representative Office Malaysia
No 806, Block A4, Leisure Commerce Square,
No 9, Jalan PJS 8/9, 46150 Petaling Jaya,
Selangor Darul Ehsan, Malaysia
Tel. +60 3 7877 1776
Fax +60 3 7877 2776
kian.guan.tan@wago.com

HPH Materials (M) Sdn Bhd
No. 4, Jalan Nilam 1/6
Suban Hi-Tech Industrial Park
40000 Shah Alam
Selangor, D.E. Malaysia
Tel. +60 3 5638 2213
Fax +60 3 5638 8213
info@hphmaterials.com

Mexico

WAGO SA de CV
Av. Del Marques 38 Bodega 3
P. I. Bernardo Quintana
76240 El Marques, Querétaro
Phone +52 442 221 5946
Fax +52 442 221 5063
Toll-Free: 001-800-309-5975
info.mx@wago.com

Moldova

Electroservice Slavinschi T.T.
str. Bolgarskaia 9, office 6
2001 Kishinev
Phone +373 22 274427
Fax +373 22 224481
es@es.mldnet.com

Morocco

please contact WAGO France

Netherlands

WAGO Nederland
Laan van de Ram 19
7234 BW APELDOORN
Tel. +31 55 36 83 500
Fax +31 55 36 83 599
info-nl@wago.com

New Zealand

NHP NZ
7 Lockhart Place
Mt Wellington
New Zealand
Phone +64 9 2761967
Fax +64 9 2761992
export@wago.com

Nigeria

GIL Automations Ltd.
Daily Times Complex
2 Lateef Jakande Rd., Agidingbi
100271 Ikeja, Lagos State
Tel. +234 17132672335
sales@gilautomation.com

Norway

WAGO Norge NUF
Jerikoveien 20
1067 Oslo
Phone +47 22 30 94 50
Fax +47 22 30 94 51
info.no@wago.com

Oman

please contact WAGO Middle East

Pakistan

FuziLogix Automation & Control
Suit No. 14, 5th Floor, Shan Arcade
New Garden Town, Lahore
Pakistan
Phone +92 42 594 1503 - 4
Fax +92 42 585 1431
info@fuzilogix.com

Peru

Manufacturas Eléctricas S.A.
Av O.R. Benavides 1215
15000 Lima
Tel. +511 6196200
Fax +511 6196247

Philippines

please contact WAGO Singapore

Poland

WAGO ELWAG sp. z o. o.
ul. Piekna 58 a
50-506 Wrocław
Phone +48 71 3602970
Fax +48 71 3602999
wago.elwag@wago.com

Portugal

MORGADO & CA. LDA - SEDE
Estrada Exterior da
Circunvalação 3558/3560
Apartado 1057
4435 Rio Tinto
Phone +351 22 9770600
Fax +351 22 9770699
geral@morgadocl.pt

Qatar

please contact WAGO Middle East

Romania

WAGO Kontakttechnik GmbH & Co. KG/
Representative Office Bukarest
Str. Nicolae G. Caramfil Nr. 26
Bl. 1D, Et. 3, Ap. 7, Sect. 1, OP 52
014144-Bucuresti
Tel. +40(0)31 421 85 68
info-RO@wago.com

VDR & Servicii srl
Str. Valeriu Braniște, nr. 60, ap.1, sector 3
Romania
Tel. +40 21 3225074/76
Tel. +40 21 3225075
Fax +40 21 3225075
office@componente-automatizari.ro

Russia

OOO WAGO Kontakt Rus
Dmitrovskoe shosse, 157, bldg. 12/5
127411 Moscow
Russia
Phone +7 495 663-3305
Fax +7 495 663-3308
info.ru@wago.com

WAGO Branch office
Ekaterinburg
Tel. +7 343 216 3426

WAGO Branch office
Novosibirsk
Tel. +7 383 217 9244

WAGO Branch office
St. Petersburg
Tel. +7 812 312 1918

Saudi Arabia

Saudi Electronic Trading Company (SETRA)
P.O. Box 60712
11555-Riyadh
Tel. +966 1 2062277
Fax +966 1 2062277
khaled.wafai@setra.com.sa

Serbia

über WAGO Bulgarien

Avalon Partners doo
Patrijarha Dimitrija 24
11000 Beograd
Tel. +381 11 2685311
Fax +381 11 2685311
office@avalon.rs

Sigma doo
Balzakova 3
21000 Novi Sad
Tel. +381 21 468431
Fax +381 21 6361785
office@sigmadoo.co.rs

Singapore

WAGO Electronic Pte Ltd
10 Upper Aljunied Link
Singapore 367904
Phone +65 62866776
Fax +65 62842425
info-sing@wago.com

Slovakia

WAGO Elektrik spol. s r. o.
Odborárska 52
83102 Bratislava
Tel. +421 2 45692503
export@wago.com

Proelektro spol. s r. o.
Na barine 22
841 03 Bratislava - Lamač
Tel. +421 2 4569 2503
info@wago.sk

Slovenia

GENERA d.o.o.
Prevale 10
1236 Trzin
Phone +386 14393050
Fax +386 14393090
genero@genera.si

IC elektronika d.o.o.
Vodovodna cesta 100
1000 Ljubljana
Phone +386 15680110
Fax +386 15689107
info@ic-elect.si

South Africa

Shorrock Automation (Pty) Ltd
Postnet Suite # 219
Private Bag X 8, Elardus Park
0047 PRETORIA
Tel. +27 12 4500300
Fax +27 12 4500322
sales@shorrock.co.za

Spain

DICOMAT S.L.
Avda. de la Industria, 36
Apartado Correos, 1.178
28108 - Alcobendas (Madrid)
Phone +34 91 6621362
Fax +34 91 6610089
info@dicomat.com

Sweden

WAGO Sverige
WAGO Kontakttechnik GmbH
Tyskland Filial
Box 11127, 161 11 BROMMA
Besöksadress: Adolfsbergsv. 31
Tel. +46 858410680
Fax +46 858410699
info.se@wago.com

Switzerland

WAGO CONTACT SA
Rte. de l'Industrie 19
Case Postale 168
1564 Domdidier
Phone +41/26 676 75 86
Fax +41/26 676 75 01
info.switzerland@wago.com

Syria

Zahabi Co.
8/5 Shouhadaa St., P.O. Box 8262
Aleppo
Phone +963 21 21 22 235 / 6
Fax +963 21 21 24 768
info.uae@wago.com

Taiwan R.O.C.

WAGO Contact, Ltd.
5F, No.168, Jiankang Rd
Zhonghe City
Taipet County 23585, Taiwan
Phone +886 2 22250123
Fax +886 2 22251511
info.taiwan@wago.com

Thailand

WAGO Representative Office Thailand
4th Floor, KS Building
213/6-8 Rachada-Phisek Road
Dingdaeng, Bangkok 10400
Tel. +66 2 6935611
Fax +66 2 6935612
warongkon.khankham@wago.com

US Power Distribution Co., Ltd.
4th Floor, KS Building
213/6-8 Rachada-Phisek Road
Dingdaeng, Bangkok 10400
Tel. +66 2 2763040
Fax +66 2 2763049
uspowers2014@gmail.com

Tunisia

please contact WAGO France

Turkey

WAGO Elektronik Sanayi ve Ticaret Ltd. Şti.
Yukan Dudullu Mahallesi Bayraktar Bulvan
Cad. Hattat Sok. No. 10
34775 Umraniye - Istanbul
Turkey
Tel. +90 216 472 1133
Fax +90 216 472 9910
info.tr@wago.com

Ukraine

NPP Logicon
Predslavinskaya street, 39, office 303
03150 Kiev
Tel. +380 44 5228019
Fax +380 44 2611803
info@logicon.ua

OOO Mikropribor
ul. Kotelnikova, 4
03115 Kiev
Tel. +380 44 5369386
Fax +380 44 5369387
sales@micropribor.kiev.ua

ITC Electronics: Kiev
pr. Vossoyrediniya 7a
office 107
02160 Kiev
Tel. +38 44 5596890
Fax +38 44 5011303
kiev@itc-electronics.com

United Arab Emirates (UAE)

WAGO Middle East (FZC)
SAIF Zone, Q4-282
P.O. Box: 120665
Sharjah, UAE
Phone +971 6 5579920
Fax +971 6 5579921
info.uae@wago.com

USA

WAGO Corporation
N120 W19129 Freistadt Road
Germantown, WI 53022
Phone +1 262 255 6222
Fax +1 262 255 3232
Toll-Free: 1-800 DIN Rail (346-7245)
info.us@wago.com

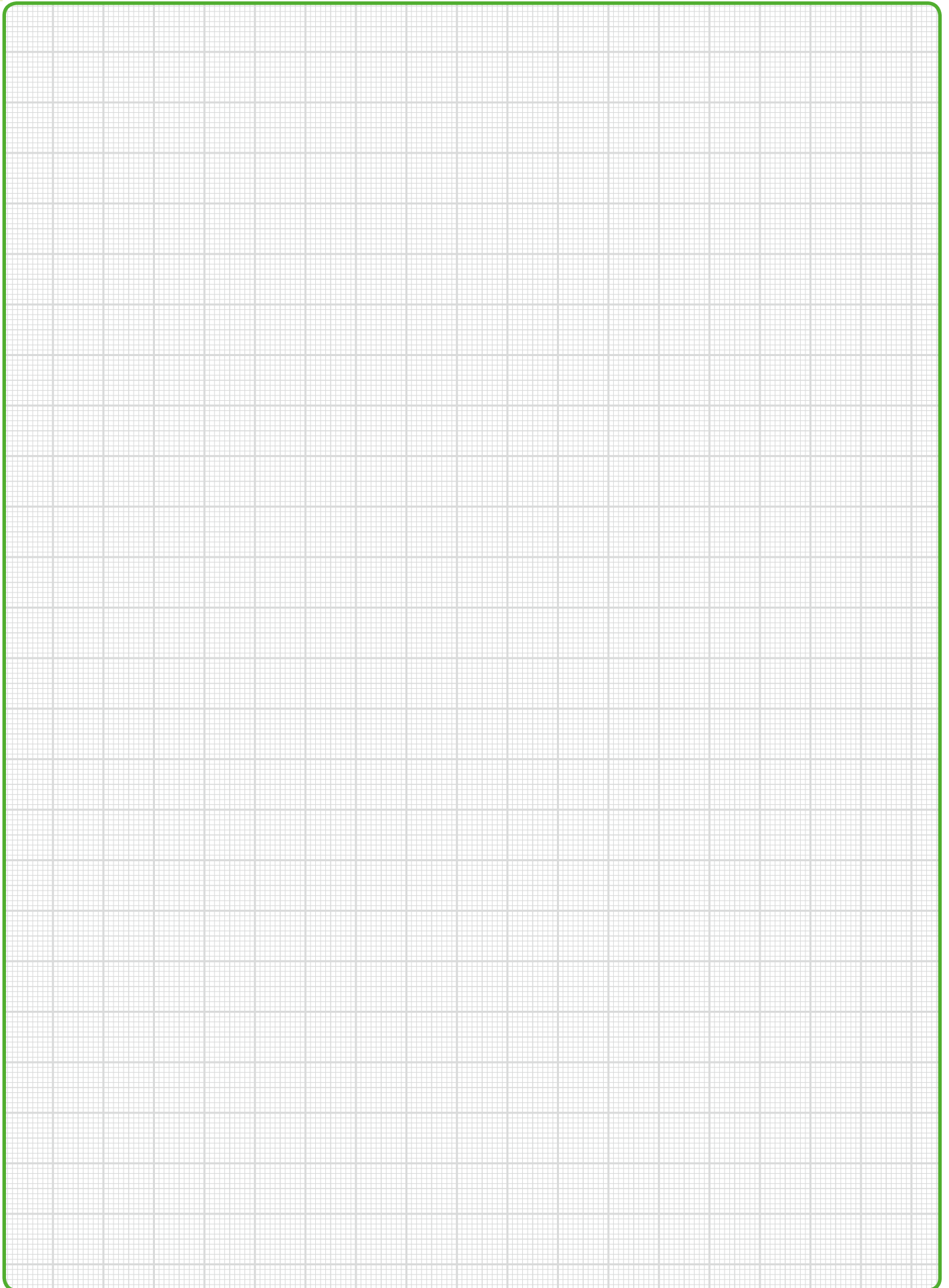
Venezuela

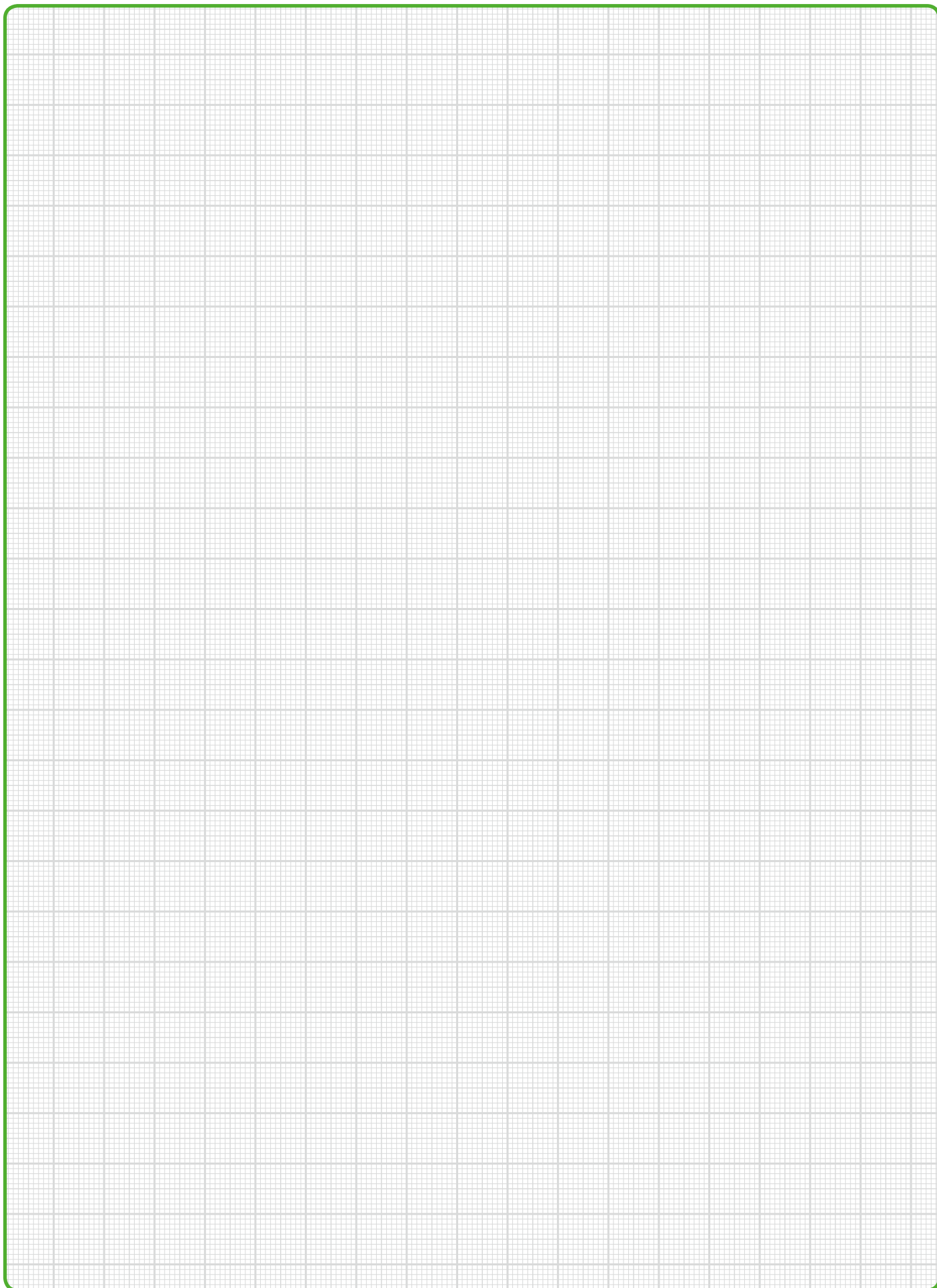
PETROBORNAS, C.A.
C.C. PLAZA AEROPUERTO - PISO 1 - LOCAL P1 - B - 03
(8015) UNARE - PUERTO ORDAZ - ESTADO BOLIVAR
REPÚBLICA BOLIVARIANA DE VENEZUELA
Tel. +58 286 951 3382
Fax +58 286 951 3382
info@petrobornas.com

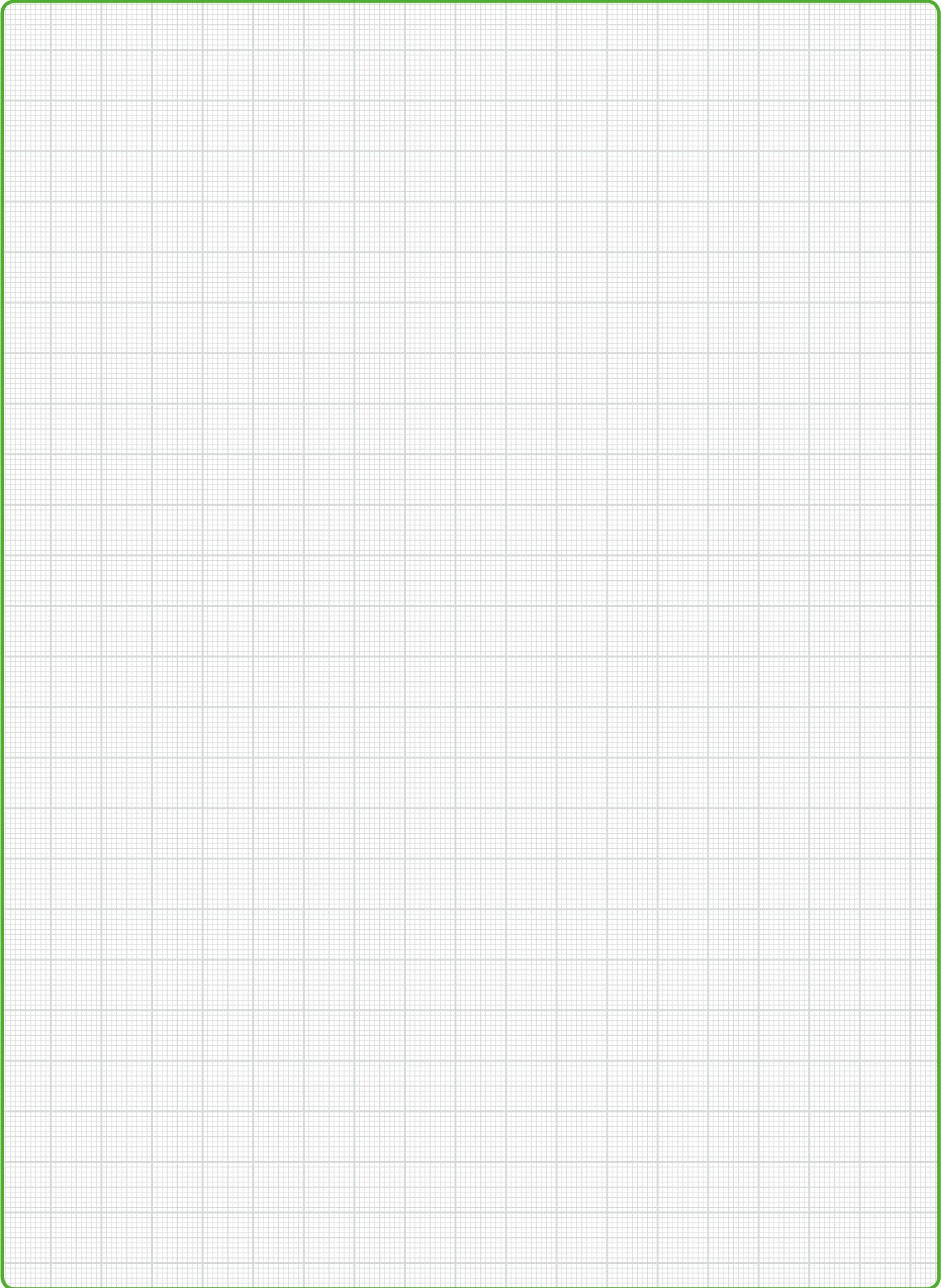
Vietnam

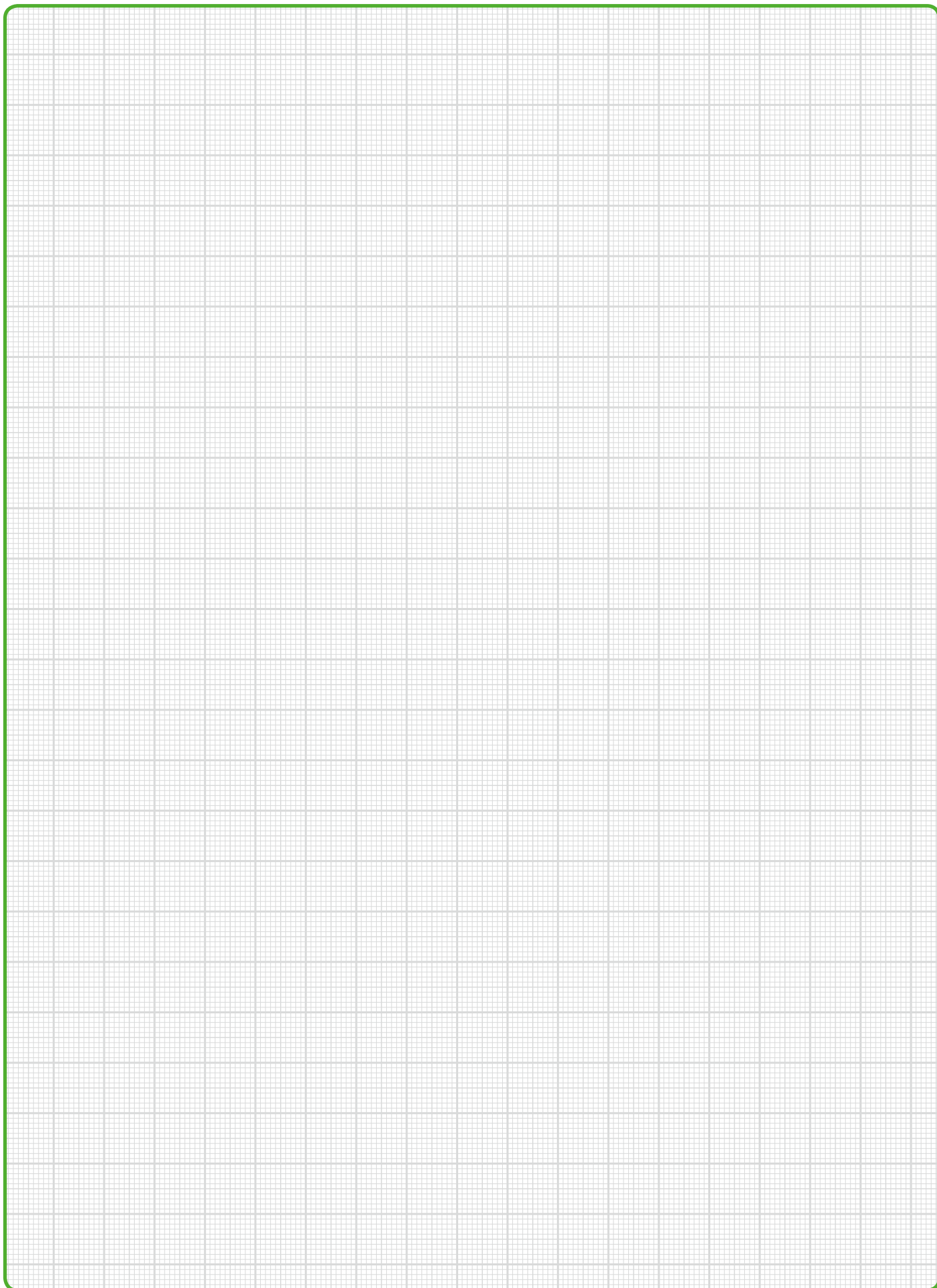
please contact WAGO Germany (Minden)

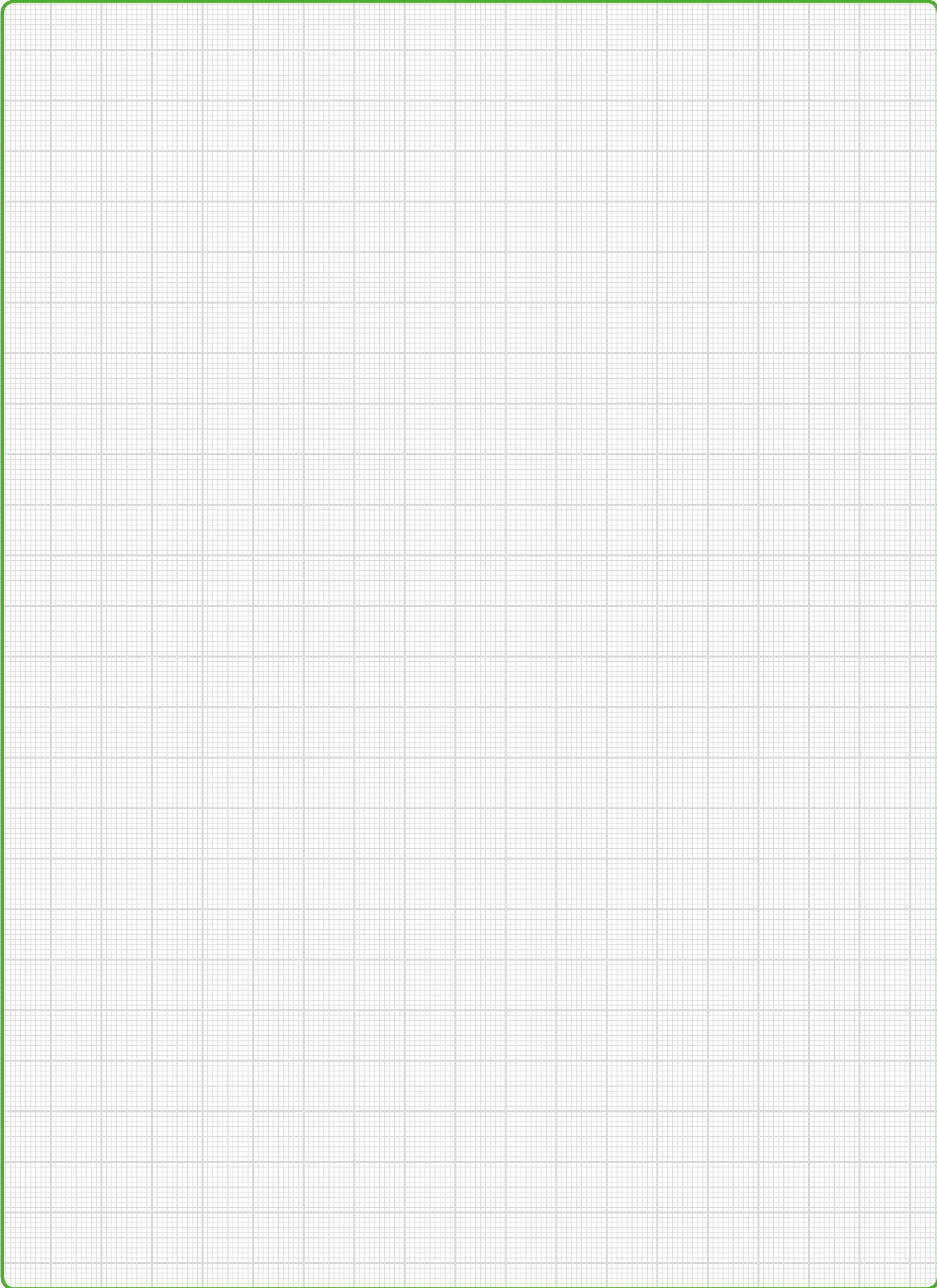
Version: 10/2014
Current addresses at www.wago.com

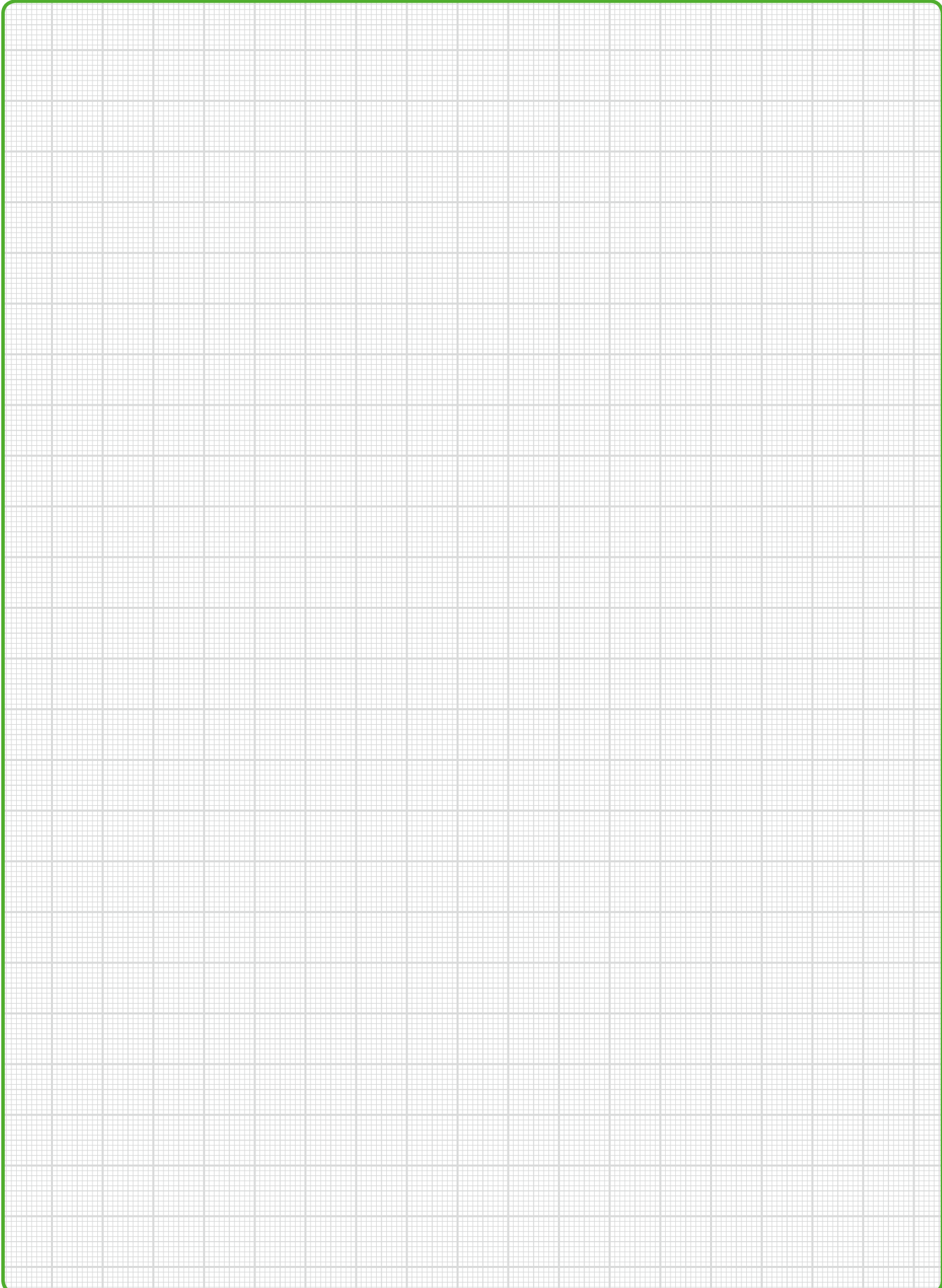


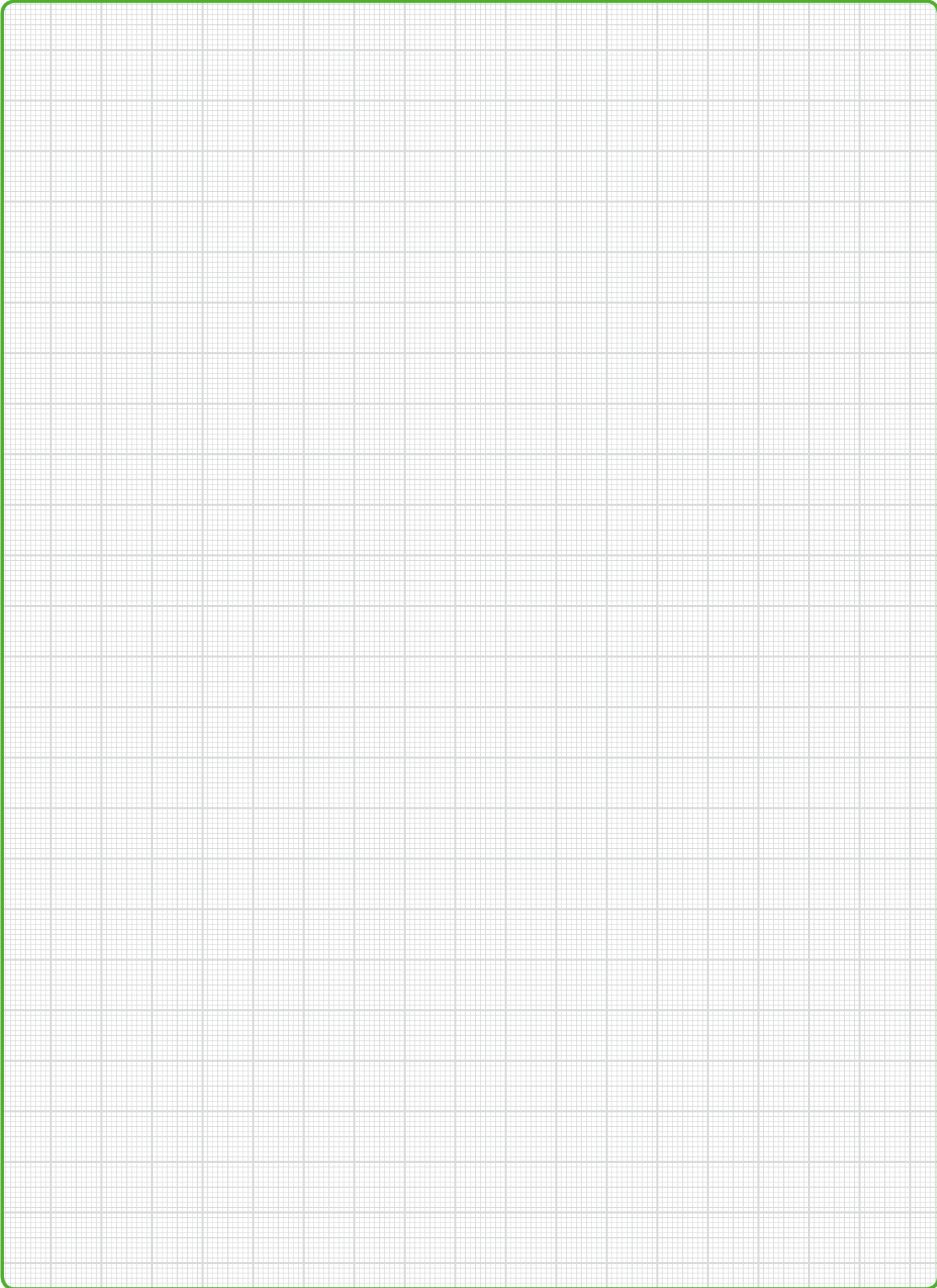


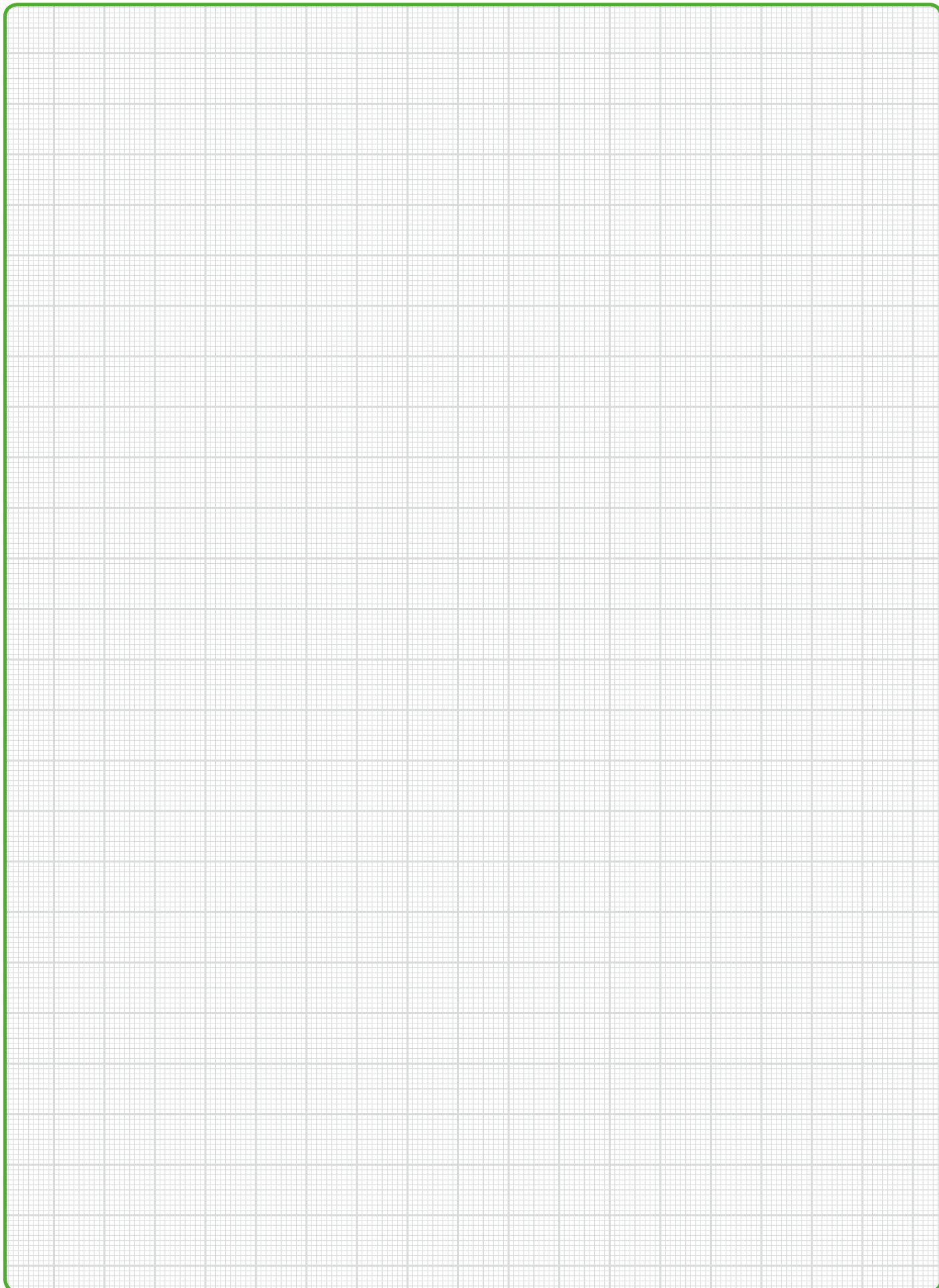












WE! INNOVATE!

0888-6005/0300-6901 · Catalog WINSTA® · 2015 · US · 01/2015-00 · Printed in Germany · Subject to design changes

WAGO Kontakttechnik GmbH & Co. KG
Postfach 2880 · 32385 Minden
Hansastraße 27 · 32423 Minden

Germany

Phone: +49 571 887 - 0
Fax: +49 571 887 - 169

E-Mail: info@wago.com

Online: www.wago.com

