



75 Ohm BNC Male Connector Crimp/
Solder Attachment for PE-B305

RF Connectors Technical Data Sheet

PE4634

Configuration

- BNC Male Connector
- 75 Ohms
- Straight Body Geometry
- PE-B305 Interface Type
- Crimp/Solder Attachment

Features

- Gold Plated Brass Contact

Applications

- General Purpose Test
- Custom Cable Assemblies

Description

Pasternack's PE4634 75 ohm BNC male connector crimp/solder attachment for PE-B305 is part of our full line of RF components available for same-day shipping.

Our 75 ohm BNC male connector PE4634 datasheet specifications and drawing with dimensions are shown below in this PDF. Pasternack's broad catalog of RF, microwave and millimeter wave connectors allows designers to configure and customize their signal connections however they like. Whether the need is to provide an I/O for a board design, or simply create a custom cable assembly configuration, Pasternack has the right connector for the job. Pasternack can also expertly build your custom cable connector assemblies for you and ship same-day.

Mechanical Specifications

Size

Length	1.131 in [28.73 mm]
Width/Dia.	0.57 in [14.48 mm]
Weight	0.027 lbs [12.25 g]

Material Specifications

Description	Material	Plating
Contact	Brass	Gold
Insulation	PTFE	
Body	Brass	Nickel
Coupling Nut	Brass	Nickel

Click the following link (or enter part number in "SEARCH" on website) to obtain additional part information including price, inventory and certifications: [75 Ohm BNC Male Connector Crimp/Solder Attachment for PE-B305 PE4634](#)



75 Ohm BNC Male Connector Crimp/ Solder Attachment for PE-B305

RF Connectors Technical Data Sheet

PE4634

Compliance Certifications (see [product page](#) for current document)

Plotted and Other Data

Notes:

75 Ohm BNC Male Connector Crimp/Solder Attachment for PE-B305 from Pasternack Enterprises has same day shipment for domestic and International orders. Our RF, microwave and millimeter wave products maintain a 99% availability and are part of the broadest selection in the industry.

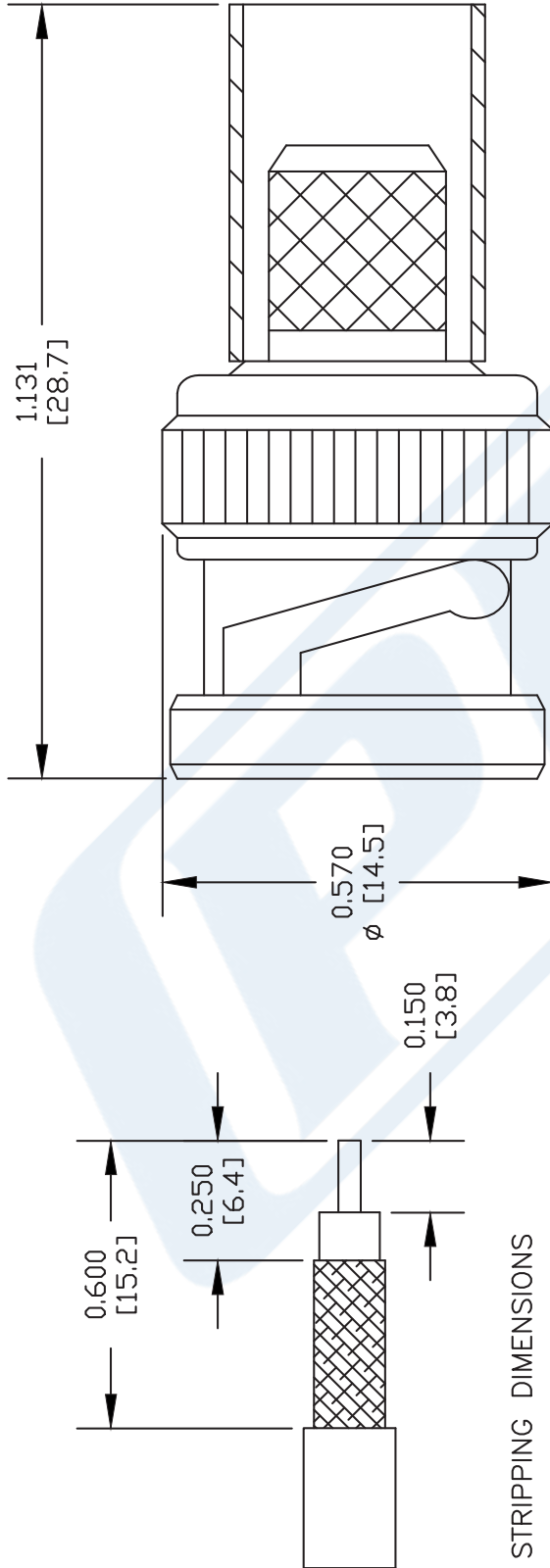
Click the following link (or enter part number in "SEARCH" on website) to obtain additional part information including price, inventory and certifications: [75 Ohm BNC Male Connector Crimp/Solder Attachment for PE-B305 PE4634](#)

URL: <https://www.pasternack.com/bnc-male-standard-pe-b305-connector-pe4634-p.aspx>

The information contained in this document is accurate to the best of our knowledge and representative of the part described herein. It may be necessary to make modifications to the part and/or the documentation of the part, in order to implement improvements. Pasternack reserves the right to make such changes as required. Unless otherwise stated, all specifications are nominal. Pasternack does not make any representation or warranty regarding the suitability of the part described herein for any particular purpose, and Pasternack does not assume any liability arising out of the use of any part or documentation.

PE4634 CAD Drawing

75 Ohm BNC Male Connector Crimp/Solder Attachment for PE-B305



STRIPPING DIMENSIONS

CRIMP SIZE REQUIRED

CONTACT: .068" HEX CRIMP TOOL
 FERRULE: .324" HEX CRIMP TOOL

DWG TITLE

PE4634

NOTES:
 1. UNLESS OTHERWISE SPECIFIED ALL DIMENSIONS ARE NOMINAL.
 2. ALL SPECIFICATIONS ARE SUBJECT TO CHANGE WITHOUT NOTICE AT ANY TIME.
 3. DIMENSIONS ARE IN INCHES [mm].
 4. FITS MIL-C-17 AND EQUIVALENT CABLES.

FSCM NO. 53919

CAD FILE 051409-B

SCALE N/A

SIZE A

XXXX



PASTERNAK®
 Pasternack Enterprises, Inc.
 P.O. Box 16759 | Irvine | CA | 92623
 Phone: (949) 261-1920 | Fax: (949) 261-7451
 Website: www.pasternack.com | E-Mail: sales@pasternack.com



75 Ohm BNC Female Bulkhead Connector Crimp/
Solder Attachment For PE-B305, .480 inch D Hole

TECHNICAL DATA SHEET

PE4642

75 Ohm BNC Female Bulkhead Connector Crimp/Solder Attachment For PE-B305, .480 inch D Hole

Configuration

Connector	BNC Female
Connector Interface Type	PE-B305
Cable Attachment Method (Shield/Contact)	Crimp/Solder
Body Style	Straight
Mount Method	Bulkhead

Electrical Specifications

Impedance, Ohms	75
-----------------	----

Mechanical Specifications

Size

Length, in [mm]	1.425 [36.2]
Width/Dia., in [mm]	0.69 [17.53]
Weight, lbs [g]	0.048 [21.77]

Connector

Type	BNC Female
Contact Material and Plating	Gold
Body Material and Plating	Brass, Nickel
Dielectric Type	PTFE

Compliance Certifications (visit www.Pasternack.com for current document)

RoHS Compliant	Yes
----------------	-----

Plotted and Other Data

Notes:	Values at 25 °C, sea level
--------	----------------------------

75 Ohm BNC Female Bulkhead Connector Crimp/Solder Attachment For PE-B305, .480 inch D Hole from Pasternack Enterprises has same day shipment for domestic and International orders. Our RF, microwave and fiber optic products maintain a 99% availability and are part of the broadest selection in the industry.

Click the following link (or enter part number in "SEARCH" on website) to obtain additional part information including price, inventory and certifications: [75 Ohm BNC Female Bulkhead Connector Crimp/Solder Attachment For PE-B305, .480 inch D Hole PE4642](http://www.pasternack.com/bnc-female-standard-pe-b305-connector-pe4642-p.aspx)

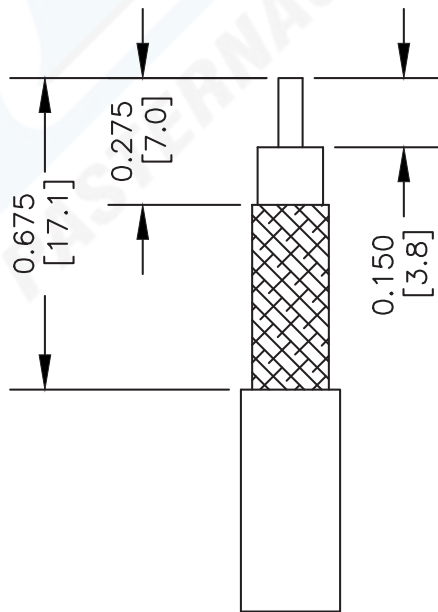
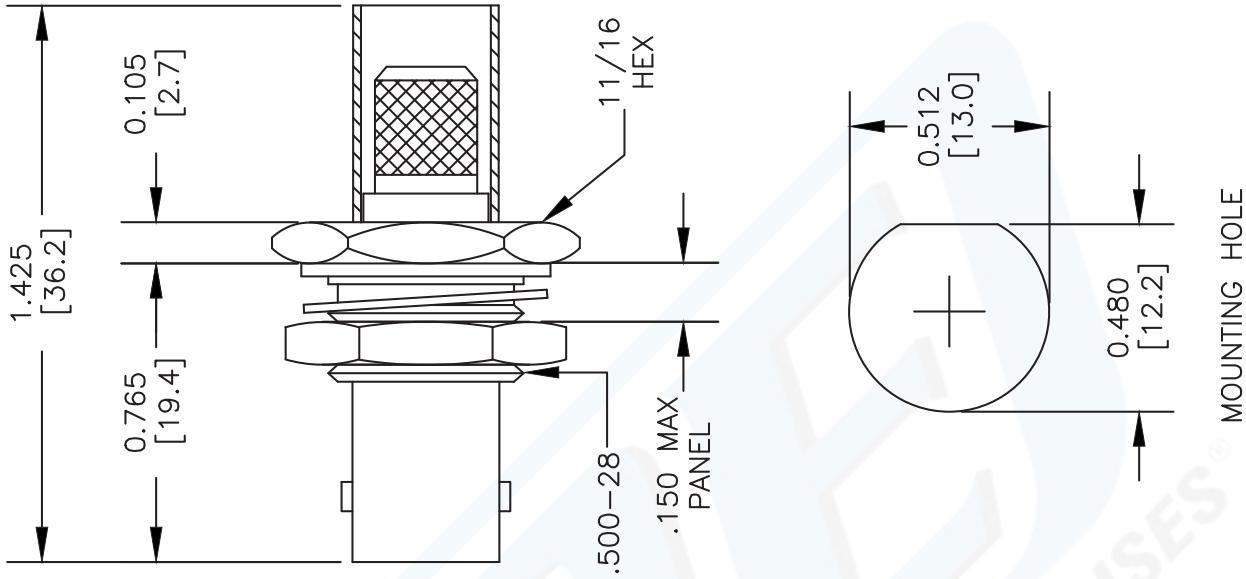
URL: <http://www.pasternack.com/bnc-female-standard-pe-b305-connector-pe4642-p.aspx>

The information contained in this document is accurate to the best of our knowledge and representative of the part described herein. It may be necessary to make modifications to the part and/or the documentation of the part, in order to implement improvements. Pasternack reserves the right to make such changes as required. Unless otherwise stated, all specifications are nominal.

PE4642 CAD Drawing

75 Ohm BNC Female Bulkhead Connector Crimp/Solder

Attachment For PE-B305, .480 inch D Hole



STRIPPING DIMENSIONS

CRIMP SIZES REQUIRED

CONTACT: .068" HEX CRIMP TOOL

FERRULE: .324" HEX CRIMP TOOL



Pasternack Enterprises, Inc.
 P.O. Box 16759 | Irvine | CA | 92623
 Phone: (949) 261-1920 | Fax: (949) 261-7451
 Website: www.pasternack.com | E-Mail: sales@pasternack.com

DWG TITLE

PE4642

FSCM NO. 53919

- NOTES:
1. UNLESS OTHERWISE SPECIFIED ALL DIMENSIONS ARE NOMINAL.
 2. ALL SPECIFICATIONS ARE SUBJECT TO CHANGE WITHOUT NOTICE AT ANY TIME.
 3. DIMENSIONS ARE IN INCHES [mm].
 4. FITS MIL-C-17 AND EQUIVALENT CABLES.

CAD FILE 042110

SCALE N/A

SIZE A

XXXX



75 Ohm Flexible RG59 Type Coax Cable Double Shielded with Black PVC Jacket

TECHNICAL DATA SHEET

PE-B305

75 Ohm Flexible RG59 Type Coax Cable Double Shielded with Black PVC Jacket

Configuration

Inner Conductor Material and Plating	Copper
Dielectric Type	PE
Shield Materials	Tinned Copper Braid, Tinned Copper Braid
Jacket Material and Color	PVC, Black

Electrical Specifications

Impedance, Ohms	75
Maximum Operating Frequency, MHz	1000
Capacitance, pF/ft [pF/m]	21 [68.9]
Maximum Operating Voltage, Volts	2,900

Electrical Specifications by Frequency

Frequency 1

Frequency, MHz	10
Attenuation, dB/100ft [dB/100m]	0.78 [2.56]
Power Handling, Watts	595

Frequency 2

Frequency, MHz	100
Attenuation, dB/100ft [dB/100m]	2.5 [8.2]
Power Handling, Watts	187

Frequency 3

Frequency, MHz	720
Attenuation, dB/100ft [dB/100m]	7.4 [24.28]
Power Handling, Watts	64

Frequency 4

Frequency, MHz	1000
Attenuation, dB/100ft [dB/100m]	9.2 [30.18]
Power Handling, Watts	52

Frequency 5

Frequency, GHz	5
Attenuation, dB/100ft [dB/100m]	23 [75.46]

Mechanical Specifications

Temperature

Operating Range, deg C	-40 to +80
------------------------	------------

Click the following link (or enter part number in "SEARCH" on website) to obtain additional part information including price, inventory and certifications: [75 Ohm Flexible RG59 Type Coax Cable Double Shielded with Black PVC Jacket PE-B305](#)

The information contained in this document is accurate to the best of our knowledge and representative of the part described herein. It may be necessary to make modifications to the part and/or the documentation of the part, in order to implement improvements. Pasternack reserves the right to make such changes as required. Unless otherwise stated, all specifications are nominal.



75 Ohm Flexible RG59 Type Coax Cable
Double Shielded with Black PVC Jacket

TECHNICAL DATA SHEET

PE-B305

Inner Conductor

Number of Strands 1
Material Copper
Diameter, in [mm] 0.031 [0.79]

Dielectric:

Type PE
Diameter, in [mm] 0.198 [5.03]

Shield:

Number of 2
Material 1 Tinned Copper Braid
Material 2 Tinned Copper Braid

Jacket:

Material PVC
Diameter, in [mm] 0.305 [7.75]
Color Black
Weight, lbs/ft [Kg/m] 0.074 [0.11]

Compliance Certifications (visit www.Pasternack.com for current document)

Plotted and Other Data

Notes: Values at 25 °C, sea level

75 Ohm Flexible RG59 Type Coax Cable Double Shielded with Black PVC Jacket from Pasternack Enterprises has same day shipment for domestic and International orders. Our RF, microwave and fiber optic products maintain a 99% availability and are part of the broadest selection in the industry.

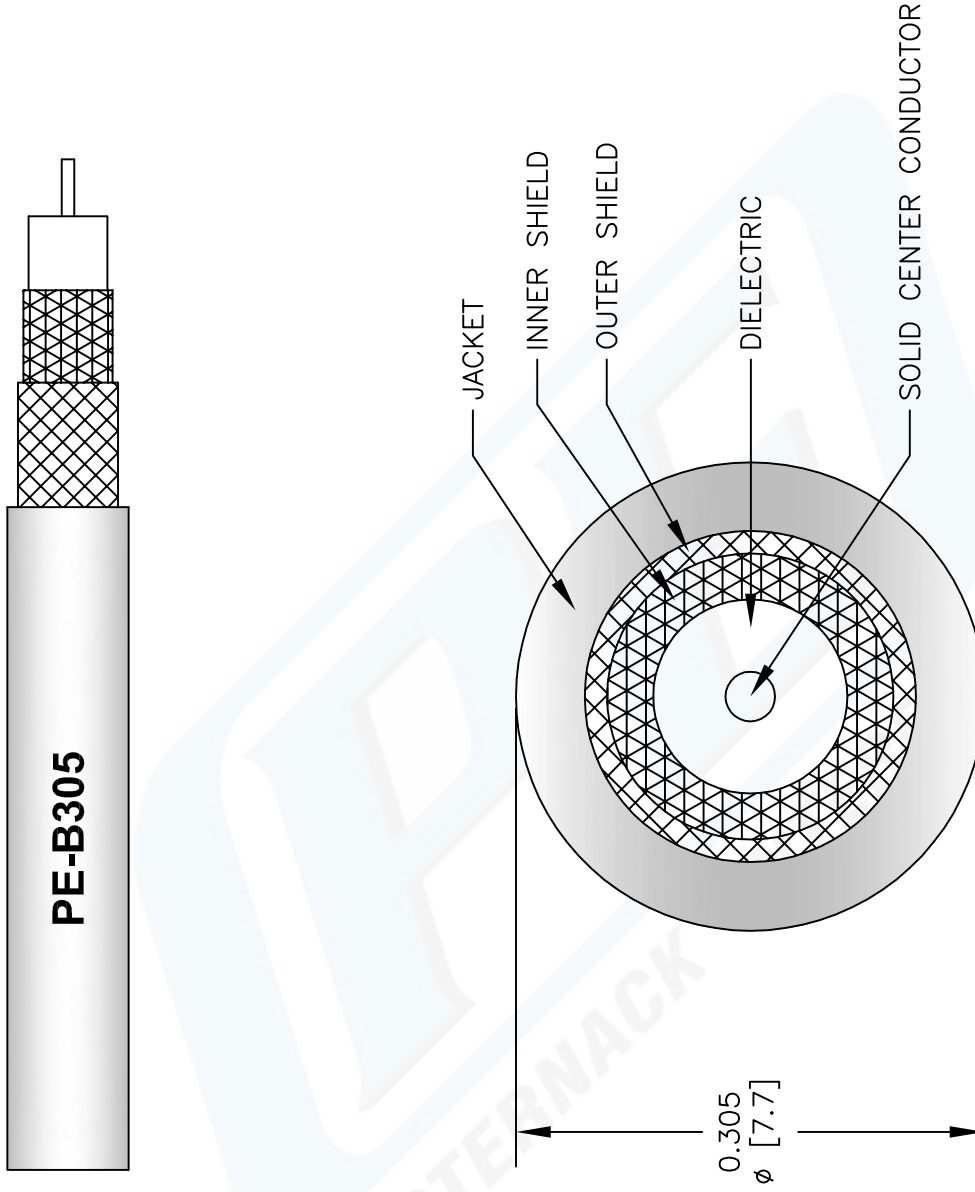
Click the following link (or enter part number in "SEARCH" on website) to obtain additional part information including price, inventory and certifications: [75 Ohm Flexible RG59 Type Coax Cable Double Shielded with Black PVC Jacket PE-B305](#)

URL: <http://www.pasternack.com/flexible-0.305-rg59-type-75-ohm-coax-cable-pvc-jacket-pe-b305-p.aspx>

The information contained in this document is accurate to the best of our knowledge and representative of the part described herein. It may be necessary to make modifications to the part and/or the documentation of the part, in order to implement improvements. Pasternack reserves the right to make such changes as required. Unless otherwise stated, all specifications are nominal.

PE-B305 CAD Drawing

75 Ohm Flexible RG59 Type Coax Cable Double Shielded with Black PVC Jacket



NOTES:
 1. UNLESS OTHERWISE SPECIFIED ALL DIMENSIONS ARE NOMINAL.
 2. ALL SPECIFICATIONS ARE SUBJECT TO CHANGE WITHOUT NOTICE AT ANY TIME.
 3. DIMENSIONS ARE IN INCHES (mm).

DWG TITLE

PE-B305

FSCM NO. 53919

CAD FILE 040113-A

SCALE N/A

SIZE A

127



PASTERNAK®
 Pasternack Enterprises, Inc.
 P.O. Box 16759 | Irvine | CA | 92623
Phone: (949) 261-1920 | **Fax:** (949) 261-7451
Website: www.pasternack.com | **E-Mail:** sales@pasternack.com