



D-Sub Receptacle Right Angle Contact Solder Attachment For RG180, RG195

TECHNICAL DATA SHEET

PE4823

D-Sub Receptacle Right Angle Contact Solder Attachment For RG180, RG195

Configuration

Connector	D-Sub Receptacle
Connector Interface Type	RG180, RG195
Cable Attachment Method (Shield/Contact)	Solder/Solder
Body Style	Right Angle

Electrical Specifications

Impedance, Ohms	50
-----------------	----

Mechanical Specifications

Size

Length, in [mm]	0.755 [19.18]
Height, in [mm]	0.715 [18.16]
Weight, lbs [g]	0.006 [2.72]

Connector

Type	D-Sub Receptacle
Contact Material and Plating	Gold
Body Material and Plating	Brass, Gold
Dielectric Type	PTFE

Compliance Certifications (visit www.Pasternack.com for current document)

Plotted and Other Data

Notes: Values at 25 °C, sea level

D-Sub Receptacle Right Angle Contact Solder Attachment For RG180, RG195 from Pasternack Enterprises has same day shipment for domestic and International orders. Our RF, microwave and fiber optic products maintain a 99% availability and are part of the broadest selection in the industry.

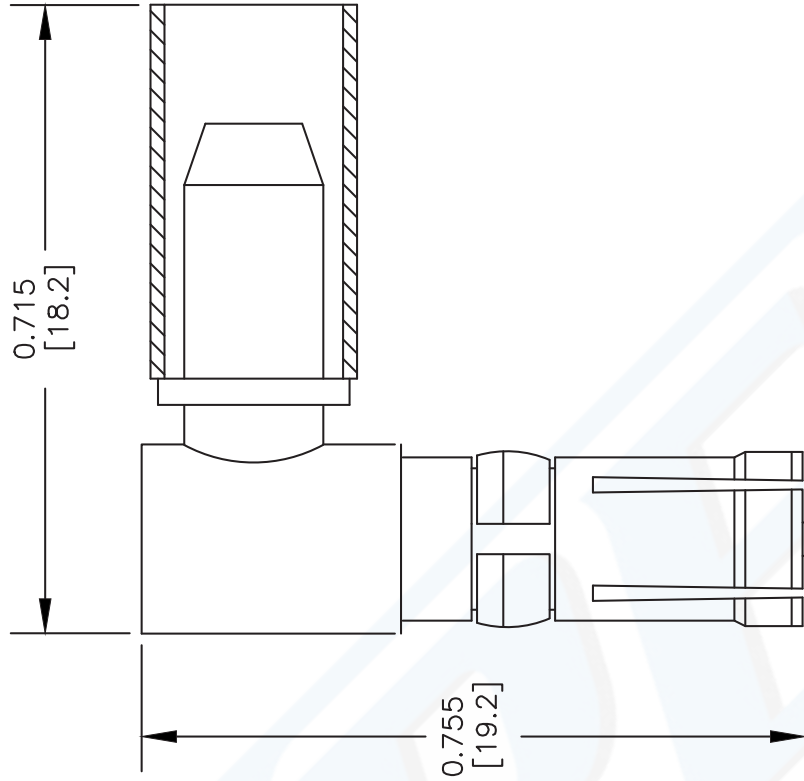
Click the following link (or enter part number in "SEARCH" on website) to obtain additional part information including price, inventory and certifications: [D-Sub Receptacle Right Angle Contact Solder Attachment For RG180, RG195 PE4823](http://www.pasternack.com/d-sub-receptacle-right-angle-contact-solder-attachment-for-rg180-rg195-pe4823)

URL: <http://www.pasternack.com/d-sub-receptacle-standard-rg180-rg195-connector-pe4823-p.aspx>

The information contained in this document is accurate to the best of our knowledge and representative of the part described herein. It may be necessary to make modifications to the part and/or the documentation of the part, in order to implement improvements. Pasternack reserves the right to make such changes as required. Unless otherwise stated, all specifications are nominal.

PE4823 CAD Drawing

D-Sub Receptacle Right Angle Contact Solder Attachment For RG180, RG195



STRIPPING DIMENSIONS

ASSEMBLY PROCEDURES

1. STRIP CABLE AS SHOWN & SLIDE FERRULE OVER CABLE.
2. INSTALL CABLE INTO BODY OF CONNECTOR AND SOFT SOLDER CENTER CONDUCTOR IN PLACE.
3. SOLDER BRAID THROUGH HOLE IN FERRULE & SOLDER CAP IN PLACE.

DWG TITLE

PE4823

FSCM NO. 53919

NOTES:
 1. UNLESS OTHERWISE SPECIFIED ALL DIMENSIONS ARE NOMINAL.
 2. ALL SPECIFICATIONS ARE SUBJECT TO CHANGE WITHOUT NOTICE AT ANY TIME.
 3. DIMENSIONS ARE IN INCHES [mm].
 4. FITS MIL-C-17 AND EQUIVALENT CABLES.

CAD FILE 061002

SCALE N/A

SIZE A

127

PE PASTERNAK®

Pasternack Enterprises, Inc.
 P.O. Box 16759 | Irvine | CA | 92623
 Phone: (949) 261-1920 | Fax: (949) 261-7451
 Website: www.pasternack.com | E-Mail: sales@pasternack.com