



SMA Female Connector Solder Attachment .062 inch
End Launch PCB, .020 inch x .010 inch Contact

RF Connectors
Technical Data Sheet

PE4543

Configuration

- SMA Female Connector
- 50 Ohms
- Straight Body Geometry
- Connector Interface Types: .062 inch End Launch

Features

- Gold Plated Contact

Applications

- General Purpose Test
- PCB Applications

Description

Pasternack's PE4543 SMA female connector with solder attachment for .062 inch End Launch PCB is part of our full line of RF components available for same-day shipping.

Our SMA female connector PE4543 datasheet specifications and drawing with dimensions are shown below in this PDF. Pasternack's broad catalog of RF, microwave and millimeter wave connectors allows designers to configure and customize their signal connections however they like. Whether the need is to provide an I/O for a board design, or simply create a custom cable assembly configuration, Pasternack has the right connector for the job. Pasternack can also expertly build your custom cable assemblies for you and ship same-day.

Mechanical Specifications

Size

Length	0.562 in [14.27 mm]
Width/Dia.	0.375 in [9.53 mm]
Height	0.312 in [7.92 mm]
Weight	0.005 lbs [2.27 g]

Material Specifications

Description	Material	Plating
Contact		Gold
Insulation	PTFE	
Body	Brass	Gold

Click the following link (or enter part number in "SEARCH" on website) to obtain additional part information including price, inventory and certifications: [SMA Female Connector Solder Attachment .062 inch End Launch PCB, .020 inch x .010 inch Contact PE4543](#)



SMA Female Connector Solder Attachment .062 inch
End Launch PCB, .020 inch x .010 inch Contact

RF Connectors
Technical Data Sheet

PE4543

Environmental Specifications

Compliance Certifications (see [product page](#) for current document)

Plotted and Other Data

Notes:

SMA Female Connector Solder Attachment .062 inch End Launch PCB, .020 inch x .010 inch Contact from Pasternack Enterprises has same day shipment for domestic and International orders. Our RF, microwave and millimeter wave products maintain a 99.4% availability and are part of the broadest selection in the industry.

Click the following link (or enter part number in "SEARCH" on website) to obtain additional part information including price, inventory and certifications: [SMA Female Connector Solder Attachment .062 inch End Launch PCB, .020 inch x .010 inch Contact PE4543](#)

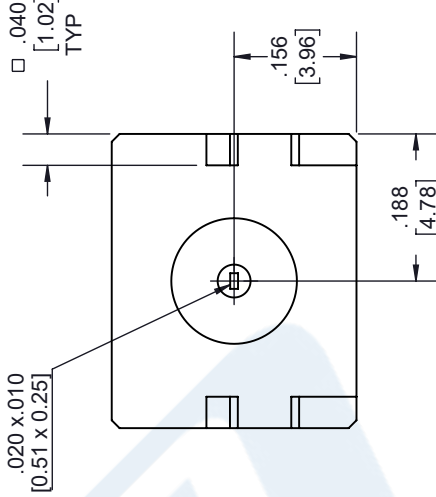
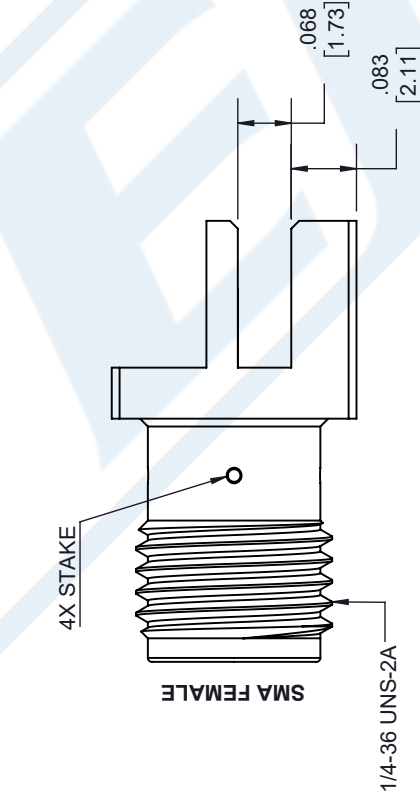
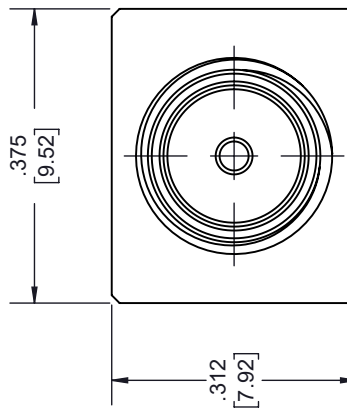
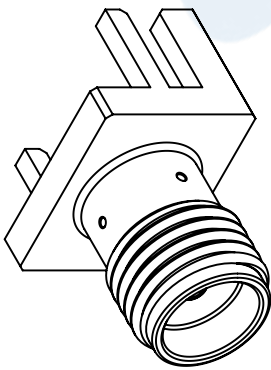
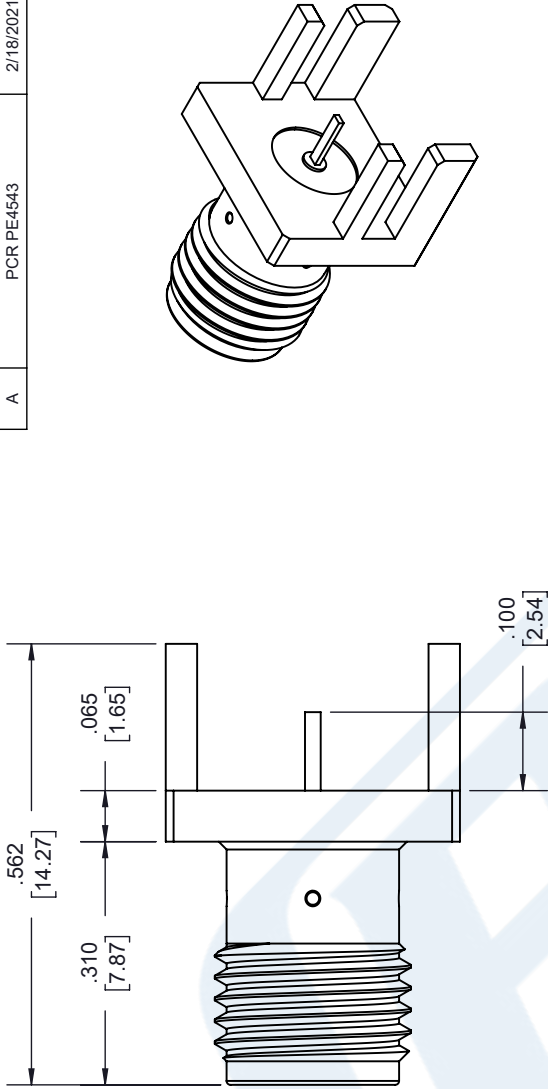
URL: <https://www.pasternack.com/sma-female-standard-0.062-end-launch-connector-pe4543-p.aspx>

The information contained in this document is accurate to the best of our knowledge and representative of the part described herein. It may be necessary to make modifications to the part and/or the documentation of the part, in order to implement improvements. Pasternack reserves the right to make such changes as required. Unless otherwise stated, all specifications are nominal. Pasternack does not make any representation or warranty regarding the suitability of the part described herein for any particular purpose, and Pasternack does not assume any liability arising out of the use of any part or documentation.

PE4543 CAD Drawing

SMA Female Connector Solder Attachment .062 inch End
Launch PCB, .020 inch x .010 inch Contact

REVISIONS			
REV.	DESCRIPTION	DATE	APPROVED
A	PCR PE4543	2/18/2021	S. ELLIS



UNLESS OTHERWISE SPECIFIED
LEADING DIMENSIONS ARE INCHES
DIMENSIONS IN [] ARE MILLIMETERS

TOLERANCES:
 .X = ±.2 [5.08] FRACTIONS ± 1/32
 .XX = ±.02 [.51] ANGLES ± 1°
 .XXX = ±.005 [.13] CABLE LENGTH (L), TOLERANCES:
 L ≤ 12 [305] = +1 [25] / -0
 12 [305] < L ≤ 60 [1524] = +2 [51] / -0
 60 [1524] < L ≤ 120 [3048] = +4 [102] / -0
 120 [3048] < L ≤ 300 [7620] = +6 [152] / -0
 300 [7620] < L = +5% / -0

ALL DIMENSIONS SHOWN
ARE FOR REFERENCE ONLY.

PE PASTERNAK
an INFINITE brand

Pasternack Enterprises, Inc.
P. O. Box 16759, Irvine, CA 92623.
Phone: 1.949.261.1920 | 1.866.727.8376
Fax: 1.949.261.7451
Website: www.pasternack.com
E-mail: sales@pasternack.com

THIRD-ANGLE PROJECTION
THE INFORMATION AND DESIGN IN THIS DOCUMENT IS THE PROPERTY OF PASTERNAK CORPORATION ALL RIGHTS RESERVED.
SHEET 1 OF 1
SCALE N/A

SIZE [CAGE CODE] DRAWN BY ITEM NO.
A 53919 K.DANG PE4543
REV A

NOTES:

1. BOARD THICKNESS: .062 [1.57]
2. CABLE COMPATIBILITY: DIRECT SOLDER

THESE COMMODITIES, TECHNOLOGY OR SOFTWARE WERE EXPORTED FROM THE UNITED STATES IN ACCORDANCE WITH THE EXPORT ADMINISTRATION REGULATIONS. DIVERSION CONTRARY TO U.S. LAW PROHIBITED.