



SMA Female Right Angle Connector Solder Attachment 4 Hole Flange Mount Solder Cup Terminal, .340 inch Hole Spacing

RF Connectors Technical Data Sheet

PE4123

Configuration

- SMA Female Connector
- 50 Ohms
- Right Angle Body Geometry
- Solder Cup Interface Type
- Solder Attachment
- 4 Hole Flange

Features

- Max. Operating Frequency 18 GHz
- Excellent VSWR of 1.2:1
- Gold over Nickel Plated Beryllium Copper Contact
- Contact plating according to MIL-G-45204

Applications

- General Purpose Test
- Rack and Panel Mount Applications

Description

Pasternack's PE4123 SMA female right angle 4 hole flange mount connector with solder cup terminal (.340 inch hole spacing) is part of our full line of RF components available for same-day shipping. Our SMA female connector operates up to a maximum frequency of 18 GHz and offers excellent VSWR of 1.2:1. Its right angle body geometry allows for easier connections in tight spaces. This SMA 4 hole flange connector allows designers to create external connections on their product enclosures, and can be used in a variety of other rack mount and panel mount applications.

Our SMA female right angle 4 hole flange connector PE4123 datasheet specifications and drawing with dimensions are shown below in this PDF. Pasternack's broad catalog of RF, microwave and millimeter wave connectors allows designers to configure and customize their signal connections however they like. Whether the need is to provide an I/O for a board design, or simply create a custom cable assembly configuration, Pasternack has the right connector for the job. Pasternack can also expertly build your custom cable assemblies for you and ship same-day.

Electrical Specifications

Description	Minimum	Typical	Maximum	Units
Frequency Range	DC		18	GHz
VSWR			1.2:1	
Insertion Loss			0.22	dB

Electrical Specification Notes:
 Insertion loss: $0.05 \times \sqrt{f(\text{GHz})}$ dB.

Mechanical Specifications

Size	
Length	0.71 in [18.03 mm]
Width/Dia.	0.5 in [12.70 mm]
Height	0.685 in [17.4 mm]
Weight	0.013 lbs [5.9 g]
Mating Cycles	500 Cycles

Click the following link (or enter part number in "SEARCH" on website) to obtain additional part information including price, inventory and certifications: [SMA Female Right Angle Connector Solder Attachment 4 Hole Flange Mount Solder Cup Terminal, .340 inch Hole Spacing PE4123](#)



SMA Female Right Angle Connector Solder Attachment 4 Hole Flange Mount Solder Cup Terminal, .340 inch Hole Spacing

RF Connectors Technical Data Sheet

PE4123

Material Specifications

Description	Material	Plating
Contact	Beryllium Copper	Gold over Nickel MIL-G-45204
Insulation	PTFE	
Body	Passivated Stainless Steel	ASTM-A380

Environmental Specifications

Temperature

Operating Range

-55 to +100 deg C

Vibration

MIL-STD-202, Method 204, Condition D (20 G's)

Salt Spray

MIL-STD-202, Method 101, Condition B, 5% salt solution

Compliance Certifications (see [product page](#) for current document)

Plotted and Other Data

Notes:

SMA Female Right Angle Connector Solder Attachment 4 Hole Flange Mount Solder Cup Terminal, .340 inch Hole Spacing from Pasternack Enterprises has same day shipment for domestic and International orders. Our RF, microwave and millimeter wave products maintain a 99% availability and are part of the broadest selection in the industry.

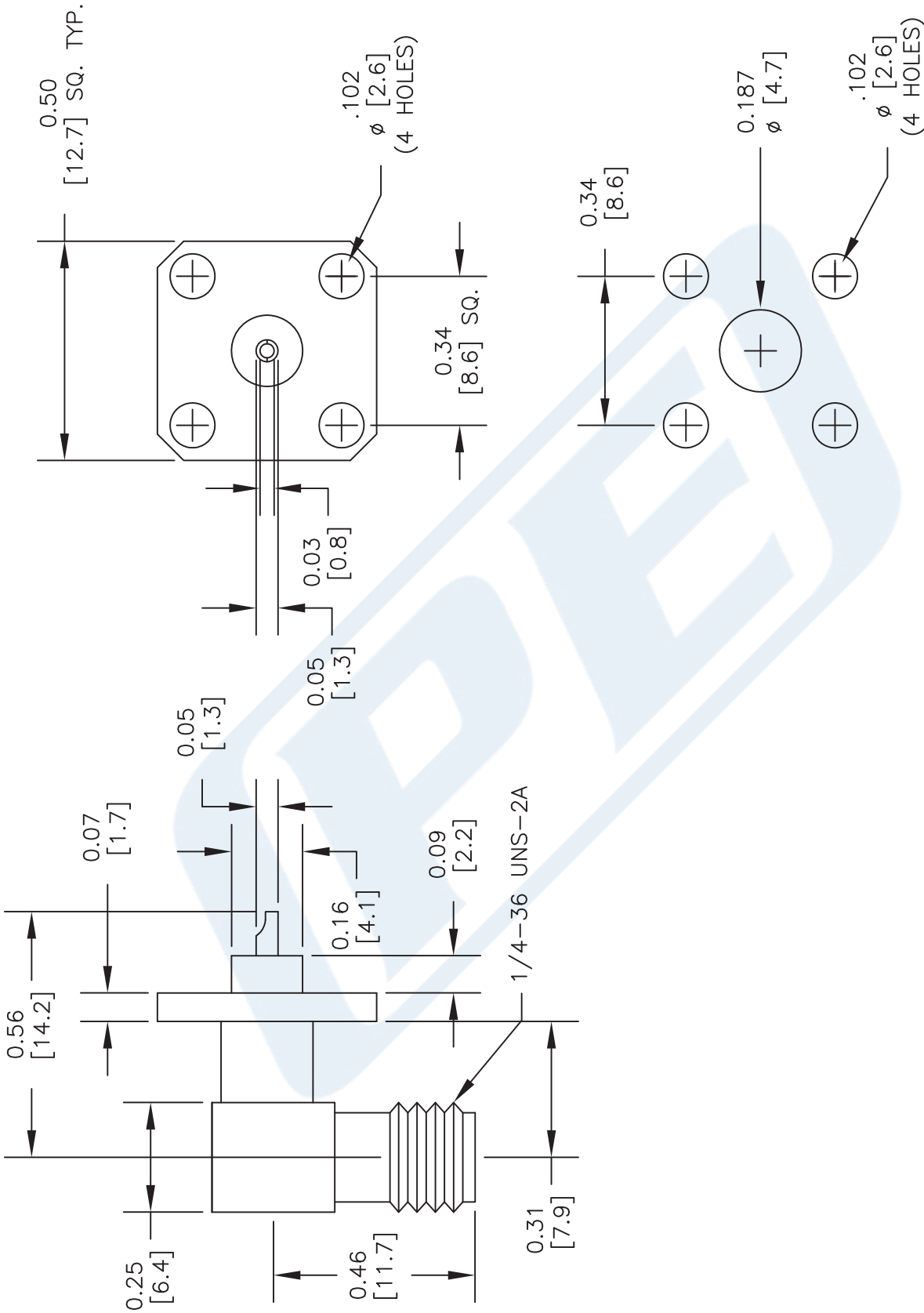
Click the following link (or enter part number in "SEARCH" on website) to obtain additional part information including price, inventory and certifications: [SMA Female Right Angle Connector Solder Attachment 4 Hole Flange Mount Solder Cup Terminal, .340 inch Hole Spacing PE4123](#)

URL: <https://www.pasternack.com/sma-female-standard-solder-cup-terminal-connector-pe4123-p.aspx>

The information contained in this document is accurate to the best of our knowledge and representative of the part described herein. It may be necessary to make modifications to the part and/or the documentation of the part, in order to implement improvements. Pasternack reserves the right to make such changes as required. Unless otherwise stated, all specifications are nominal. Pasternack does not make any representation or warranty regarding the suitability of the part described herein for any particular purpose, and Pasternack does not assume any liability arising out of the use of any part or documentation.

PE4123 CAD Drawing

SMA Female Right Angle Connector Solder Attachment 4 Hole
Flange Mount Solder Cup Terminal, .340 inch Hole Spacing



MOUNTING HOLE

DWG TITLE

PE4123

NOTES:

1. UNLESS OTHERWISE SPECIFIED ALL DIMENSIONS ARE NOMINAL.
2. ALL SPECIFICATIONS ARE SUBJECT TO CHANGE WITHOUT NOTICE AT ANY TIME.
3. DIMENSIONS ARE IN INCHES [mm].
4. FITS MIL-C-17 AND EQUIVALENT CABLES.

PASTERNAK®
Pasternack Enterprises, Inc.
P.O. Box 16759 | Irvine | CA | 92623
Phone: (949) 261-1920 | Fax: (949) 261-7451
Website: www.pasternack.com | E-Mail: sales@pasternack.com

REV. D FSCM NO. 53919 CAD FILE 081512 SCALE N/A SIZE A 2231