

T196SV Vapor Recovery Vent

01-10-006DS

Civacon's Sequential Vapor Recovery Vent for 16" Manholes has improved flow with less pressure drop. It will retrofit all existing 3.5" vapor vents and offers best in class features

The Civacon T196SV Vapor Recovery Vent is designed and tested to take the punishment of everyday use at temperatures from -40°F to 160°F (-40°C to 71°C). A new cap design threads into the top of the vent which allows for a better seal and eliminates the snap ring system.

The T196SV still maintains a low profile to keep the vents well below the overturn rail, yet with its increased seat opening offers improved flow with less pressure drop. An added third port improves the vents closing speed.

Seals are improved to be compatible with Ethanol, Methanol, Diesel, Bio-diesel and Gasoline products being hauled in DOT406 tanks today.



Features and Benefits

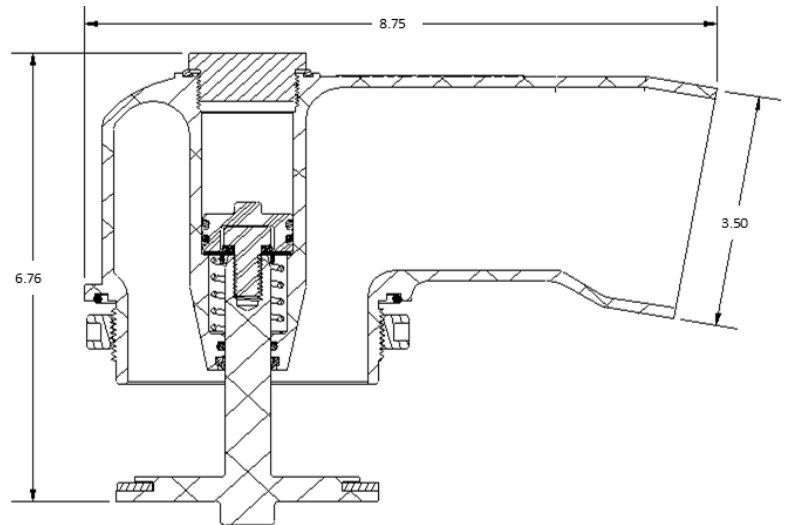
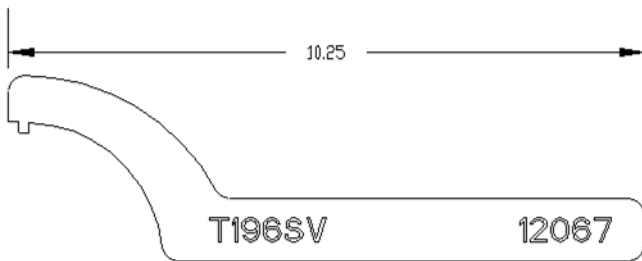
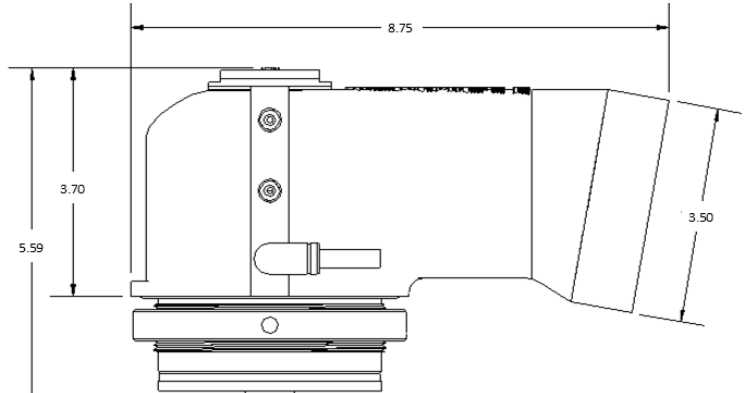
- Lightweight Aluminum Body
- Valve stroke increased by 50% (1-1/2" total seat opening)
- Increased Spring Tension for a quick, tight closure
- Dual fluorosilicon piston o-ring seals and a new lower shaft seal and wiper protects the air system
- New added external exhaust port for quicker opening and closing of vent's poppet
- Viton® GF gasket and seals
- Thread in cap design eliminates snap ring
- Improved flow rating and less pressure drop
- T196RR has a shortened body for use as a coming vent
- T196SV-FA is equipped with a flange



T196SV Vapor Recovery Vent

Specifications

- Product Number: T196SV
- Materials: Aluminum, Stainless Steel, Viton®
- Dimensions:
 - Height Closed - 5.59"
 - Height Open - 6.52"
 - Ride Height - 3.70"
 - Length - 8.75"
- Weight: 3.60 lbs. (1.63 kg)
- Temperature: -40°F to 160°F (-40°C to 71°C)



Ordering Specifications

Part Number	Description
T196SV	Vapor Recovery Vent (16" Manhole)
T196RR	Vapor Recovery Vent (Short Body)
T196SV-FA	Vapor Recovery Vent w/ Flange
T196SVRK	Repair Kit, T196SV Vapor Recovery Vent
12067	Spanner Nut Tool, T196SV Vapor Recovery Vent Series