



www.montigo.com

Installation Operation & Maintenance Manual

Check local codes and read all instructions prior to installation.

H38DF Series Gas Fireplace

H38DF Indoor

HL38DF Indoor

HR38DF Indoor



H38DF Shown

Warning:

Improper installation, adjustment, alteration, service or maintenance can cause injury or property damage. Refer to this manual. For assistance or additional information consult a qualified installer, service agency or the gas supplier.

Safety Notice:

Glass doors on gas fireplaces are extremely hot while the fireplace is on and remain hot even after the fireplace has been turned off. Safety screens are available and can reduce the risks of severe burns.

For Your Safety:

Do not store or use gasoline or other flammable vapors and liquids in the vicinity of this or any other appliance.


Warning:

What to do if you smell gas

- Do not try to light any appliance.
- Do not touch any electrical switch; do not use any phone in your building.
- Immediately call your gas supplier from a neighbor's phone. Follow the gas supplier's instructions.
- If you cannot reach your gas supplier, call the fire department.



- Installer: Leave this manual with the appliance.
- Consumer: Leave this manual for future reference.

 **Warning:**
Read this manual before installing, operating or troubleshooting this appliance. Please retain this owner's manual for future reference.

Congratulations

Congratulations on selecting a Montigo gas fireplace, an elegant and well designed gas fireplace built to your specifications. The Montigo gas fireplace you have selected is designed to provide the utmost in safety, reliability, and engineering standards.

As the owner of this new fireplace, you'll want to read and carefully follow all the instructions contained in this Installation, Operations and Maintenance manual. Pay special attention to all cautions, warnings, and important warnings.

This owner's manual should be retained for future reference. We suggest that you keep it with all your other important documents and product manuals.

The information contained in this owner's manual, unless noted otherwise, applies to all models, and gas control systems.

Your new Montigo gas fireplace will give you years of durable, reliable use. Welcome to the Montigo family of gas fireplace products.

Safety Alert Key:

- **DANGER!** Indicates a hazardous situation which, if not avoided will result in death or serious injury.
- **WARNING!** Indicates a hazardous situation which, if not avoided could result in death or serious injury.
- **CAUTION!** Indicates a hazardous situation which, if not avoided, could result in minor or moderate injury.
- **NOTICE:** Used to address practices not related to personal injury.
- **Important:** Used to address practices not related to personal injury.

Table Of Contents

<p>Congratulations</p> <p>Safety Alert Key</p> <p>Introduction..... 3</p> <p>Installation</p> <p style="padding-left: 20px;">Installing and Framing the Fireplace..... 4</p> <p style="padding-left: 20px;">Installing the Gasline..... 5</p> <p style="padding-left: 20px;">Vent Installation..... 5</p> <p style="padding-left: 40px;">Installation Requirements 5</p> <p style="padding-left: 40px;">Installing the Remote Switch 5</p> <p style="padding-left: 40px;">Vent Terminations 6</p> <p style="padding-left: 40px;">Installing the Nailing flange..... 6</p> <p style="padding-left: 20px;">Top Vent Runs..... 7 - 12</p> <p style="padding-left: 20px;">Side Vent Runs 8 - 13</p> <p style="padding-left: 20px;">Power Vents 13</p> <p style="padding-left: 20px;">Finishing around the fireplace</p> <p style="padding-left: 40px;">Fireplace Facing 13</p> <p style="padding-left: 40px;">Mantels and Surrounds 14</p> <p style="padding-left: 20px;">Wiring 14</p> <p style="padding-left: 20px;">Removing and Installing the Door..... 16</p>	<p style="padding-left: 20px;">Installing Glass Beads..... 17</p> <p style="padding-left: 20px;">Installing Logset 18</p> <p style="padding-left: 20px;">Installing the Alternate Logset 19</p> <p style="padding-left: 20px;">Installing designer Rocks 20</p> <p>Operation 21 - 23</p> <p>Maintenance 24 - 25</p> <p style="padding-left: 20px;">Troubleshooting 25 - 26</p> <p style="padding-left: 20px;">Spare Parts 26</p> <p>Warranty 27</p> <p>Appendix</p> <p style="padding-left: 20px;">A. Termination Locations 28</p> <p style="padding-left: 20px;">B. State of Massachusetts / Amendment 29</p> <p>Notes: 30</p>
---	--

Introduction

Thank You for choosing a Montigo Gas Fireplace.

About this Fireplace:

The **H38DF-Series** is an line of fireplace's with a standard LogSet, also Linear-style burner, or Stainless steel, and Premium model. These fireplaces can be converted to both a Top Vent or Rear Vent application, and are available in the specific models below.

The **H38DF** is rated for Natural Gas and Liquid Propane at 26,000 Max. BTU/H (7.62) Kilowatts Input.

- ▶ **H38DF**; Top or Rear Vent convertible, Millivolt Pilot
- ▶ **H38DF-I**; Top or Rear Vent convertible, Intermittent Pilot (HSI)
- ▶ **H38DF-F**; Top or Rear Vent convertible, (IPI Electronic Ignition).


The **HL38DF** is rated for Natural Gas and Liquid Propane at 26,000 Max. BTU/H (7.62) Kilowatts Input.

- ▶ **HL38DF**; Top or Rear Vent convertible, Millivolt Pilot
- ▶ **HL38DF-I**; Top or Rear Vent convertible, Intermittent Pilot (HSI)
- ▶ **HL38DF-F**; Top or Rear Vent convertible, (IPI Electronic Ignition).

The **HR38DF** is rated for Natural Gas at 26,000 Max. BTU/H (7.62) Kilowatts Input.

- ▶ **HR38DF**; Top or Rear Vent convertible, Millivolt Pilot
- ▶ **HR38DF-I**; Top or Rear Vent convertible, Intermittent Pilot (HSI).

This manual covers installation, operation and maintenance. Lighting, operation and care of this fireplace can be easily performed by the homeowner. However, all installation and service work should be performed by a qualified or licensed installer, plumber, or gas fitter who is qualified or licensed by the state, province, region, or governing body in which the appliance is being installed.

This manual covers all models and unless otherwise specified, the designation **H38DF** refers to all variations of the model above. Sections which are specific to a particular variation are marked with a  symbol, plus the appropriate model number.

Warranty and Installation Information:

The Montigo warranty will be voided by, and Montigo disclaims any responsibility for, the following actions:

- ▶ Modification of the fireplace and/or components including Direct-Vent assembly or glass doors.
- ▶ Use of any component part not manufactured or approved by Montigo in combination with this Montigo fireplace system.
- ▶ Installation other than as instructed in this manual.

Consult your local Gas Inspection Branch on installation requirements for factory-built gas fireplaces. Installation & repairs should be done by a qualified contractor.

Installations in Canada must conform to the current **CAN/CGAB-149.1** and **.2** Gas Installation Code and local regulations. If the optional air-circulating fan kit is installed, it must be electrically grounded in accordance with **CSA C22.1** Canadian Electrical Code Part 1 and/or Local Codes.

Installations in the USA must conform to local codes, or in the absence of local codes to the National Fuel Gas Code, **ANSI Z223.1-1988**. If the optional air-circulating fan is installed, it must be grounded in accordance with local codes or, in the absence of local codes, with the National Electrical Code, **ANSI/NFPA 70-1987**. See Appendix for installation within the **State of Massachusetts**. This fireplace must comply with **NFPA-54 Chapter 10**.

CAUTION!

Due to its high operating temperatures, the appliance should be located out of traffic & away from furniture and draperies.

- Children and adults should be alerted to the hazards of the high surface temperature, which could cause burns or clothing ignition.
- Young children should be carefully supervised when they are in the same room as the appliance.
- Clothing or other flammable materials should not be placed on or near the appliance.

WARNING!

When this appliance is installed directly on carpeting, tile or any combustible material other than wood flooring, it must be installed on a metal or wood panel extending the full width and depth of the appliance.

Installation



Installing The Fireplace Shell

The fireplace may be installed in any location that maintains proper clearances to air conditioning ducts, electrical wiring and plumbing. Safety, as well as efficiency of operation, must be considered when selecting the fireplace location. Try to select a location that does not interfere with room traffic, has adequate ventilation, and offers an accessible pathway for Direct Vent installation. Refer to page 4 - *Vent Installation* for more information.

The fireplace dimensions for H38DF models are shown below:

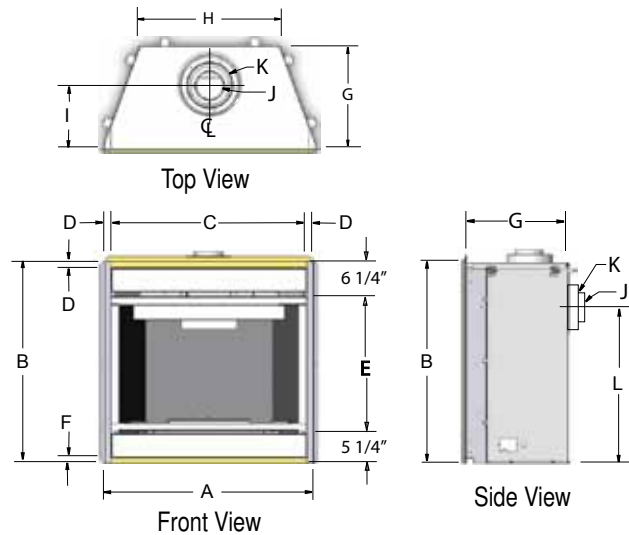


Figure 1. Fireplace dimensions.

	A	B	C	D	E	F	G	H	I	J	K	L
H38DF	37 ³ / ₄	36 ¹ / ₂	35 ¹ / ₄	1 ¹ / ₄	25	1	18 ¹ / ₂	25	11 ¹ / ₂	5	8	28 ³ / ₄
HL38DF	37 ³ / ₄	36 ¹ / ₂	35 ¹ / ₄	1 ¹ / ₄	25	1	18 ¹ / ₂	25	11 ¹ / ₂	5	8	28 ³ / ₄
HR38DF	37 ³ / ₄	36 ¹ / ₂	35 ¹ / ₄	1 ¹ / ₄	25	1	18 ¹ / ₂	25	11 ¹ / ₂	5	8	28 ³ / ₄

Clearances

These clearances apply to all dimensions *except the framed opening*, where the clearance to combustibles is 0". The H38DF Series clearances to combustible materials are:

	H38DF	HL38DF	HR38DF
Top - Rear Vent *	9"	9"	9"
Top - Top Vent	17 ¹ / ₂ "	17 ¹ / ₂ "	17 ¹ / ₂ "
Back	2"	2"	2"
Sides	1"	1"	1"
Floor	0"	0"	0"
Mantle**	4"	4"	4"

* Clearances from the top of the fireplace to a combustible ceiling within the fireplace enclosure.

** Refer to **page 14**.

Unprotected combustible walls which are perpendicular to the fireplace opening, must not project beyond the shaded area shown in **Figure 25**.

For protection against freezing temperatures, it is recommended that outer walls of the chase be insulated with a vapor barrier. This will reduce the possibility of a cold-air convection current on the fireplace.

Framing

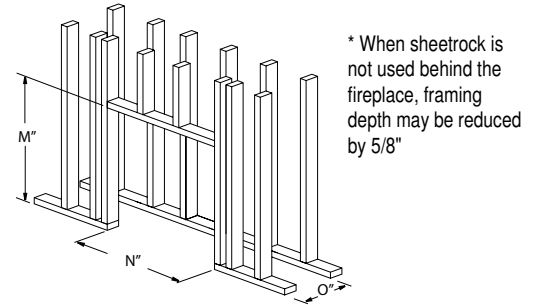
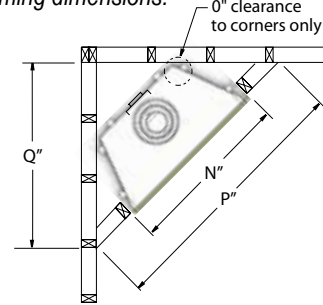


Figure 2. Framing dimensions.



	M	N	O	P	Q	R	S	T
H38DF	42 ¹ / ₄	37 ³ / ₄	20 ¹ / ₈	62	43 ⁷ / ₈	N/A	36	46
HL38DF	42 ¹ / ₄	37 ³ / ₄	20 ¹ / ₈	62	43 ⁷ / ₈	N/A	36	46
HR38DF	42 ¹ / ₄	37 ³ / ₄	20 ¹ / ₈	62	43 ⁷ / ₈	N/A	36	46

Figure 3. Minimum Corner framing dimensions, using a 45° elbow.

When installing a shelf over the top of the fireplace, the following guidelines must be adhered to: For Rear Vent applications the minimum clearance from the top of the fireplace to a shelf is 9". For Top Vent applications, the minimum clearance is 17 1/2". (*Minimum 2" clearance must still be maintained around the vent pipes.*)

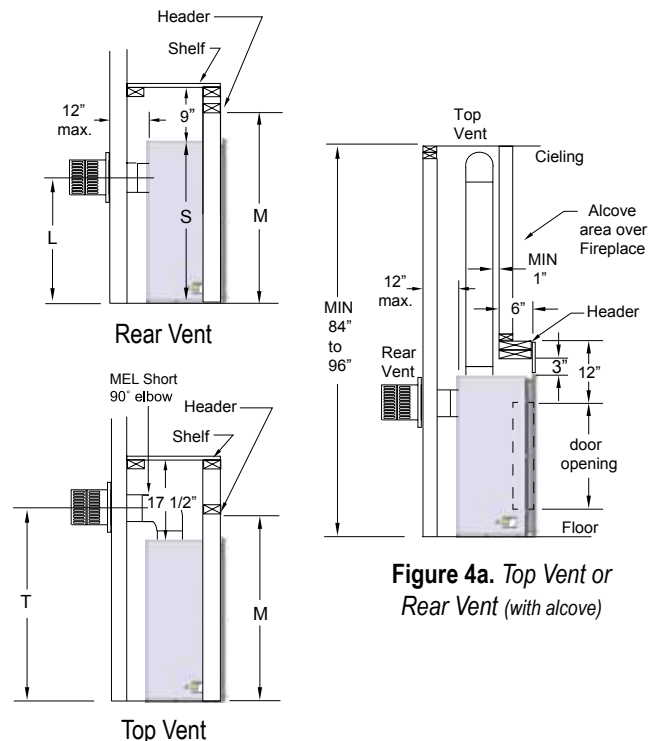


Figure 4a. Top Vent or Rear Vent (with alcove)

Figure 4. Framing for shelves over the fireplace.



Installation

Installing The Gas Line

The gas line must be installed before finishing the **H38DF-Series** Fireplace. **Natural Gas** requires a minimum inlet gas supply pressure of 5.5" W.C. & a manifold pressure of 3.5" W.C. **Propane Gas** requires a minimum inlet gas supply pressure of 11" W.C. & a manifold pressure of 10" W.C. Provision must also be made for a 1/8" N.P.T. plugged tapping and be accessible for test gauge connection immediately upstream of the gas supply controls to the appliance. The fireplace gas connection and the main operating gas valve is located behind the removable trim at the bottom of the unit and need only be attached to the gas line with an approved fitting, as required by the **applicable installation codes**.

To access the fireplace gas connection the main burner must be removed as shown below in figure 5b.

- Only use gas shut-off valves approved for use by the state, province, region, or governing body, in which the appliance is being installed, or as required by the applicable installation codes.
- Flexible gas connectors must not exceed 3 feet in length, unless it is allowable within applicable installation codes.

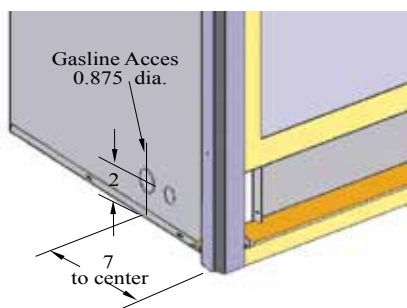


Figure 5a. Gas line access.

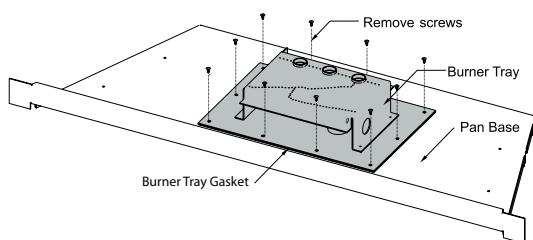


Figure 5b. Gas line access.

The appliance and its individual shut-off valve must be disconnected from the gas supply piping system during any pressure testing of that system at test pressures in excess of 1/2 psig (3.5 kPa).

The appliance must be isolated from the gas supply piping system by closing its individual manual shut-off valve during any pressure testing of the gas supply piping system at test pressures equal to or less than 1/2 psig (3.5 kPa).

Note: After gas line is connected, **each appliance connection, valve and valve train** must be checked while under normal operating pressure with either a liquid solution, or leak detection device, to locate any source of leak. Tighten any areas where bubbling appears or leak is detected until bubbling stops completely or leak is no longer detected. **DO NOT use a flame of any kind to test for leaks.**

Vent Installation

This section covers the installation of direct venting and terminations.

Installation Requirements

- **H38DF-Series** fireplaces are certified for use with Montigo Standard Series (5" / 8") venting components.
- Minimum **clearance to combustible construction around the vent pipe is 1"** on all sides, except on horizontal venting where the **top** of the pipe must have a clearance of at least 2".
- Use only *certified Montigo vent components*. (Use of other parts will void the Montigo warranty, and may impede the operation of the fireplace.)
- All joints must be secured with a minimum of two screws per joint
- Vent terminations must not be recessed in walls or siding
- Horizontal runs must be supported by a minimum of two supports per horizontal run. A minimum of one screw on each side of support is also required
- Flex vent sections may be stretched up to 50% of their total length (eg. a 24" section may be stretched to 36")
- Solid vent sections may be cut less than half way from the female end
- Venting components can be used in any combination of solid/rigid pipe or flex pipe and in any orientation (Male connectors can face in any direction)

Vent Terminations

Selecting A Termination Location

Choosing your vent termination location will help to determine whether you need to use a top vent or rear vent fireplace. Figure 6a, below, shows typical fireplace locations and the venting options they provide.

For a more detailed diagram of allowed termination locations, see Appendix A.

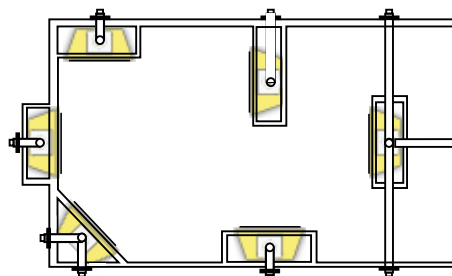


Figure 6a. Fireplace locations and vent terminations.



Cautions:

- Vent terminations can be very hot. If the termination is less than 7 feet above a public walkway, it should be fitted with a certified Montigo Heat Guard. (Part no. PTKOG).
- Do not obstruct, or attempt to conceal the vent termination. These actions will affect the operation of the fireplace, and may be hazardous.
- In heavy snow areas, take extra care to prevent snow buildup from obstructing the vent termination.
- Use Montigo Vinyl Heat Shield (Part no. VSS) when using on applications with vinyl siding to guard against possible damage.

Installation



Installing Terminations with Built-In Frames

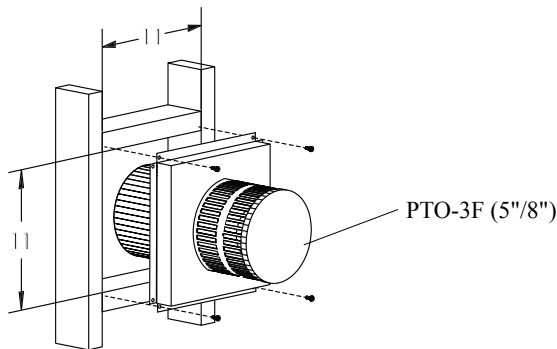


Figure 4a. Installing a PTO termination.

1. Frame the termination opening to 11" x 11".
2. Fasten the termination to the studs using a minimum of 4 screws.

Installing Terminations with MSR Frames

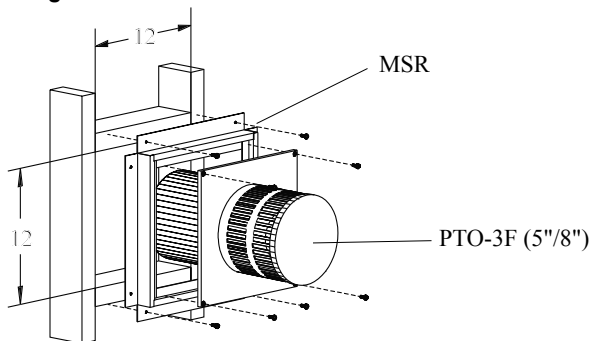


Figure 4b. Installing a PTO termination with the MSR frame.

1. Frame the termination opening to 12" x 12".
2. Fasten the termination to the studs using a minimum of 4 screws.

Installing Terminations with MOSR Frames

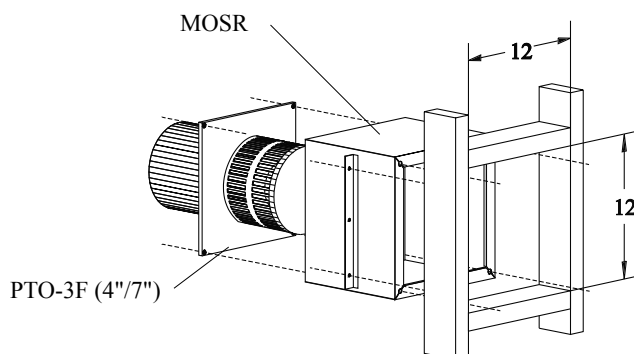


Figure 4c. Installing a PTO termination with the MOSR frame.

1. Frame the termination opening to 12" x 12".
2. Fasten the MOSR frame to the interior side of the studs using a minimum of 4 screws.
3. Insert the termination into the MOSR frame as shown here, and attach by screwing through the four pilot holes in the termination.

Installing Heat Guards over Terminations

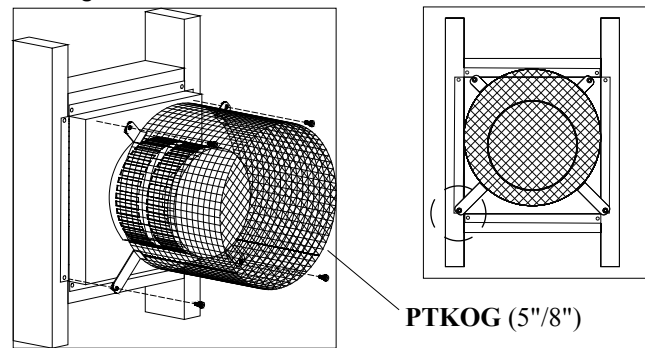


Figure 4d. Installing a PTO termination heat guard.

1. Ensure that the two **long** mounting brackets are facing the bottom of the termination. (See inset). This will provide more heat protection at the top of the termination, where temperatures are highest.
2. Attach to the faceplate of the termination using four sheet metal screws.

Installing The Standoffs

To avoid elevated mantel temperatures, all H38DF-Series gas fireplaces are required to have the supplied standoffs installed. The fireplace is supplied with two standoffs. Bend and install these standoffs on top of the fireplace ensuring that the height of the standoff maintains a 6" clearance.

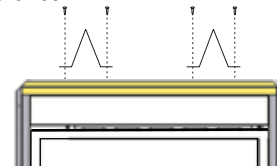


Figure 6b. Installing the standoffs.



Installation

Converting to Top Vent/ Rear Vent

H38DF-Series Top Vent

Use the following instructions to convert an **H38DF-Series** for Top Vent use:

1. Install the 5" inner flue cap on the rear flue outlet and secure the cap in place with five screws, as shown in **figure 7a**.
2. Install the flue gasket material and flue cover plate on the rear vent outlet. Fasten the plate with four screws, as illustrated below.

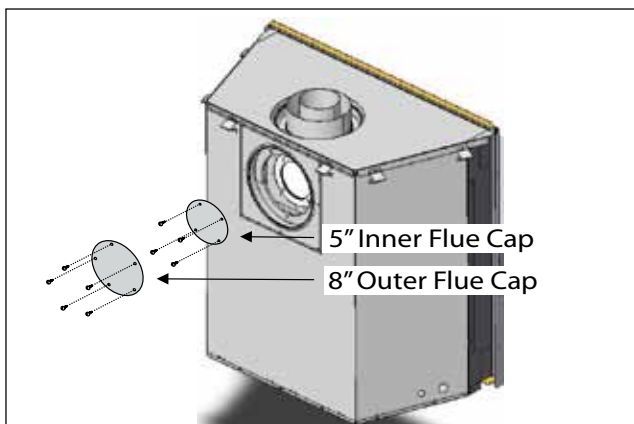


Figure 7a. Flue cap installation for Top Vented fireplace.

3. Install the 5" inner flue collar and the 8" outer flue collar in place on the top vent outlet using 5 screws, as illustrated below.

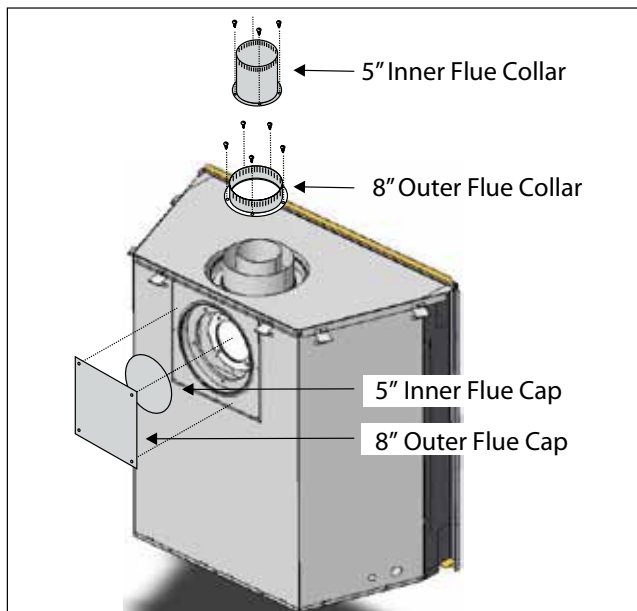


Figure 7b. Flue collar installation for Top Vented fireplace.

H38DF-Series Rear Vent

Use the following instructions to convert an **H38DF-Series** for Rear Vent use:

1. Install the 5" inner flue cap on the top flue outlet and secure the cap in place with five screws, as shown in **figure 8a**.
2. Install the 8" outer flue cap on the top flue outlet, and secure it with five screws, as shown in **figure 8a**.

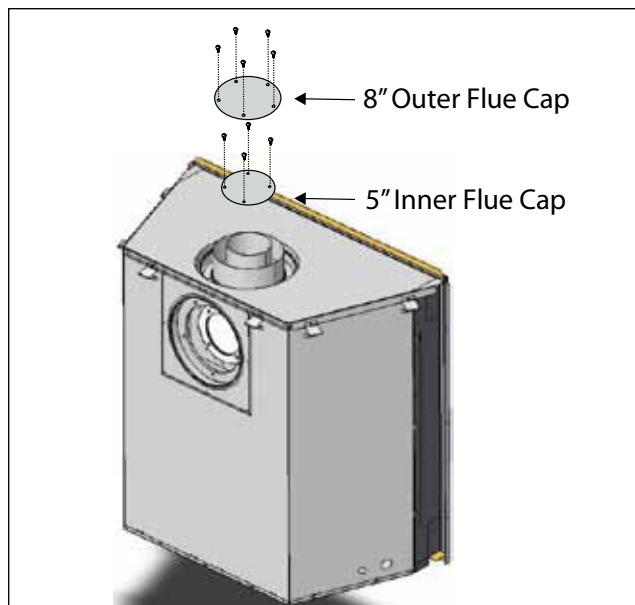


Figure 8a. Flue cap installation for Rear Vented fireplace.

3. Install the flue gasket material and flue cover plate on the top vent outlet. Fasten the plate with four screws as illustrated in **Figure 8b**.
4. Install the 5" inner flue collar and the 8" outer flue collar in place on the rear vent outlet using five screws as illustrated below.

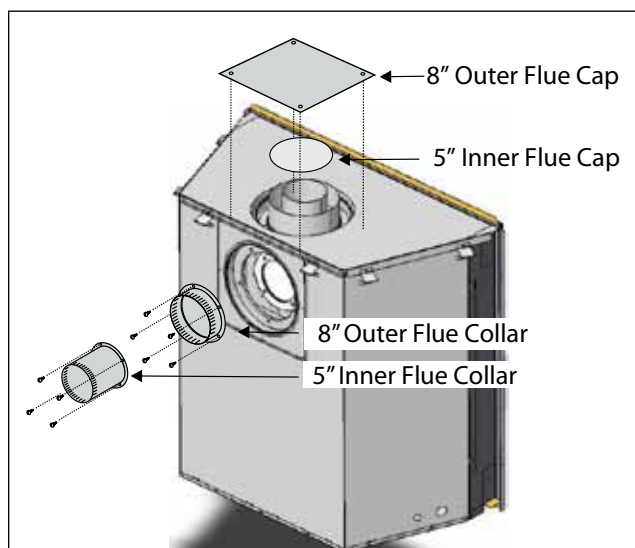


Figure 8b. Flue collar installation for Rear Vented fireplace.

Installation



Top Vent Venting Runs

For the H38DF **Top Vent**, there are two types of installations: A) Through-The-Wall Installations and B) Vertical (Through-The-Roof) Installations.

A) Through-The-Wall Installations

Before you install any venting, you must determine whether the venting run will be acceptable. Unacceptable venting can affect the fireplace's combustion.

The Venting Graph

Measure the vertical height from the fireplace hearth to the centre of the termination and the horizontal run from the fireplace flue collar to the wall flange of the termination. Plot on the Venting Graph (**Fig. 9a**) with an 'X'. If the 'X' falls on or above the top boundary of the shaded area, the installation is acceptable.

H38DF & HR38DF

Example A: (Acceptable Installation)

If the vertical dimension from the hearth is 108" and the horizontal run to the wall flange of the vent termination is 180", this would be an acceptable installation.

Example B: (Acceptable Installation)

If the vertical dimension from the hearth is 60" and the horizontal run to the wall flange of the vent termination is 72", this would be an acceptable installation.

Example C: (Unacceptable Installation)

If the vertical dimension from the floor of the fireplace is 60" and the horizontal run to the wall flange of the vent termination is 144", this would **NOT** be an acceptable installation.

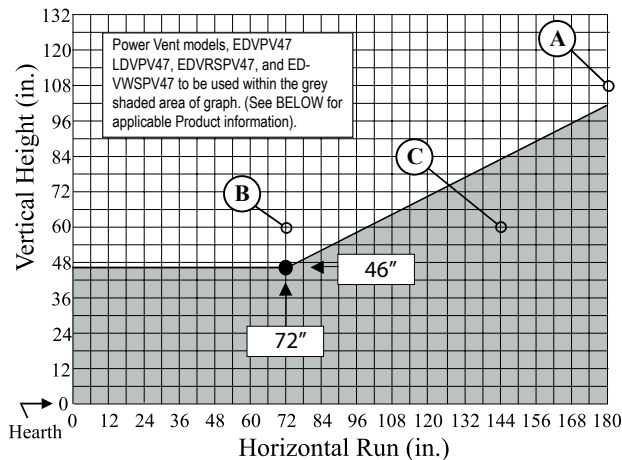


Figure 9a. H38DF Top Vent Venting Graph

HL38DF

Example A: (Acceptable Installation)

If the vertical dimension from the hearth is 84" and the horizontal run to the wall flange of the vent termination is 36", this would be an acceptable installation.

Example B: (Acceptable Installation)

If the vertical dimension from the hearth is 96" and the horizontal run to the wall flange of the vent termination is 126", this would be an acceptable installation.

Example C: (Unacceptable Installation)

If the vertical dimension from the floor of the fireplace is 72" and the horizontal run to the wall flange of the vent termination is 108", this would **NOT** be an acceptable installation.

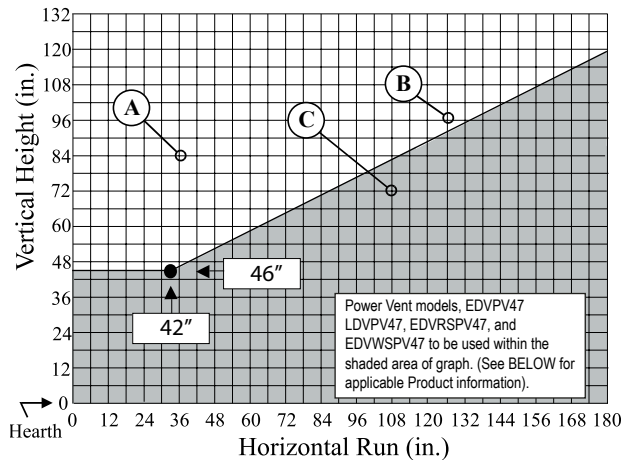


Figure 9b. HL38DF & HR34DF Top Vent Venting Graph

Available Top Vent Components

The following venting components are available for the H38DF-Series Top Vent:

	5" / 8" Venting
A - TerminationP	TO-3 (3" Length) PTO-3F (3" Length)
B - Stucco Kits	MSR (Stucco Frame) MOSR (Stucco Can) BSR (Brick Can)
C - Flex Sections	PFL-1 (12" Section) PFL-2 (24" Section) PFL-3 (36" Section) PFL-4 (48" Section)
D - Rigid Sections	PEXT-1 (12" m/f Section) PEXT-2 (24" m/f Section) PEXT-3 (36" m/f Section) PEXT-4 (48" m/f Section)
E - Elbows	PEL-90MM (m/m 90° Elbow) PEL-90FF (f/f 90° Elbow) PEL-90FM (f/m 90° Elbow)

NOTES: All dimension lengths for vertical or horizontal runs are measured from centre of the vent pipe.

Venting runs *must* fall within the limits set by the venting graph (see **Figures 9a & 9b**).

Example 1:

For our shortest venting configuration use components A and E (see **Figure 10**).

Important:

An inspection of the explosion relief flappers and door must be made prior to lighting the fireplace. This will ensure the door gas-keting material will provide an adequate seal during operation.

Installation

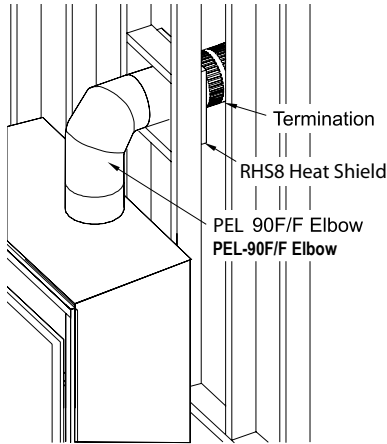


Figure 10. Typical Top Vent installation. If the 90° elbow is installed directly on the fireplace, for height to the center of the termination see chart on **page 3**.

Horizontal Venting

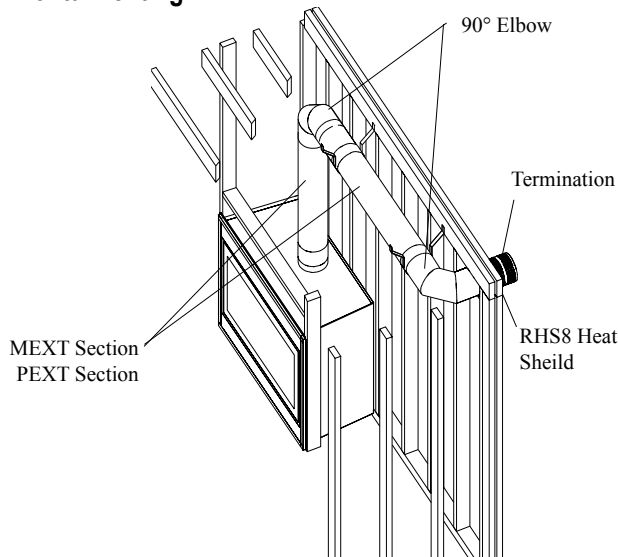


Figure 11. Typical Top Vent installation. The solid sections can be used in various combinations to obtain the desired vent run. The vent run must fall within the limits set by the venting graph.

Example 2:

Rigid sections and an elbow used in conjunction with 3 ft. flex section (MFL-3 / PFL-3) will, when extended in a five foot chase, allow for a maximum horizontal run of twelve and one-half feet from the centre of the fireplace to outside wall and a minimum of 7'6" when retracted in opposite direction (see **Figure 12 and 13**).

"C" flex sections and "D" rigid sections may be used in conjunction with one another to obtain different possible horizontal length installations. **NOTE:** Flex section with no vertical rise must not exceed maximum horizontal length of 3 feet (see **Figure 14**). Flex runs over 3 feet must fall within the limits set by the venting graph, and must have a minimum vertical rise of 3" per foot of flex.

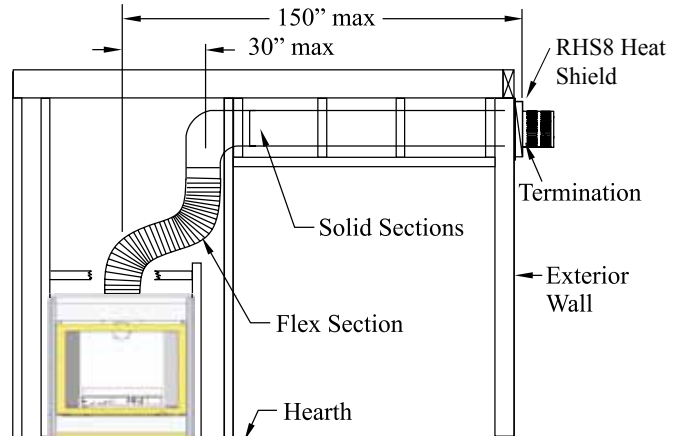


Figure 12. Extended Installation using a combination of solid and flex venting. Use the vent graph to determine your allowable run, then select appropriate components.

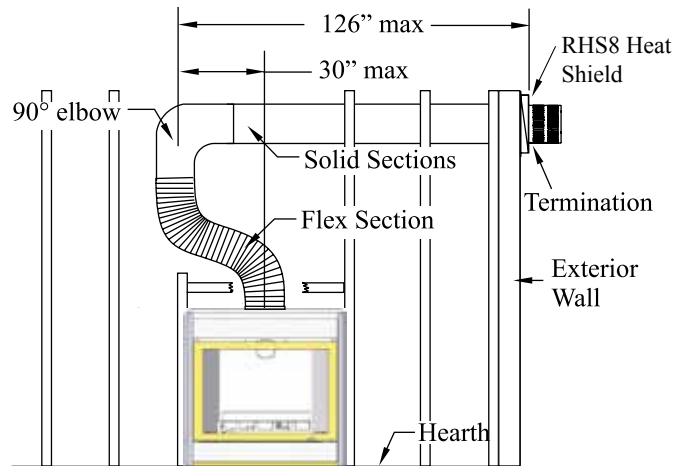


Figure 13. Retracted Installation using a combination of solid and flex venting. Use the vent graph to determine your allowable run, then select appropriate components.

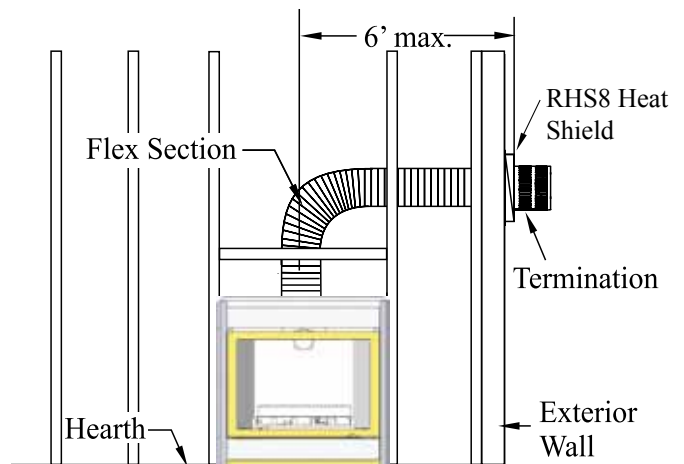


Figure 14. Horizontal flex installation with no vertical rise.

Installation



B. Vertical (Through-The-Roof) Installations 5/8" with option for 4/7" (on applicable models)

- Vertical rise >12' can be reduced (on applicable models).
- Vertical Terminations must be installed:
 - minimum 2' (two feet) above the highest point where vent passes through the roof.
 - minimum 6' (six feet) from a mechanical air inlet
 - minimum 18" (1 1/2 feet) from a parapet wall.
- Maximum vent height is: 35' feet above fireplace.
Note: Flame characteristics will change if the maximum vent height is used.
- Minimum clearances 1" from vent to all combustible materials must be maintained.
- A maximum of two offsets (**each offset has two 90° bends**) may be made and shall not exceed total length of 25% of the vertical vent height, when measured center to center of piping.

Example: Typical vent installation.
 20' vertical vent
 2 - 2' offsets required
 25% of 20' = 5' max. offset allowed
 This venting configuration meets requirements.

5" / 8" Venting	
A - Termination	PVTK-1
B - Flex Sections	PFL-1 (12" Section) PFL-2 (24" Section) PFL-3 (36" Section) PFL-4 (48" Section)
C - Rigid Sections	PEXT-1 (12" m/f Section) PEXT-2 (24" m/f Section) PEXT-3 (36" m/f Section) PEXT-4 (48" m/f Section)
D - Support Ring & Plate	PSPXT-8
E - Firestop	PS-8
F - Roof Flashing	PRF-7 (1/12 - 7/12 pt.) PRF-7 (7/12 - 12/12 pt.)
G - Adaptor / Vent Reducer	PVA5487 (5"/8" to 4"/7")

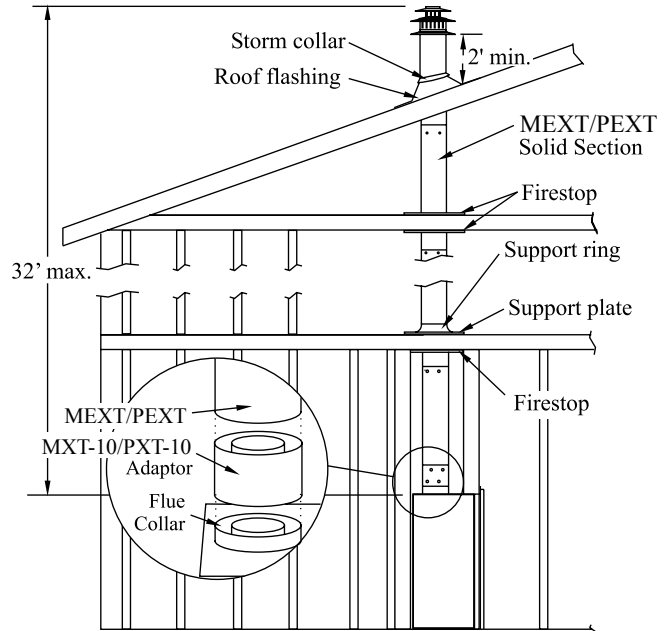


Figure 15. Straight, vertical venting showing required MXT-10/PXT-10 adaptor (supplied with the MVKT-1/PVTK-1 termination).

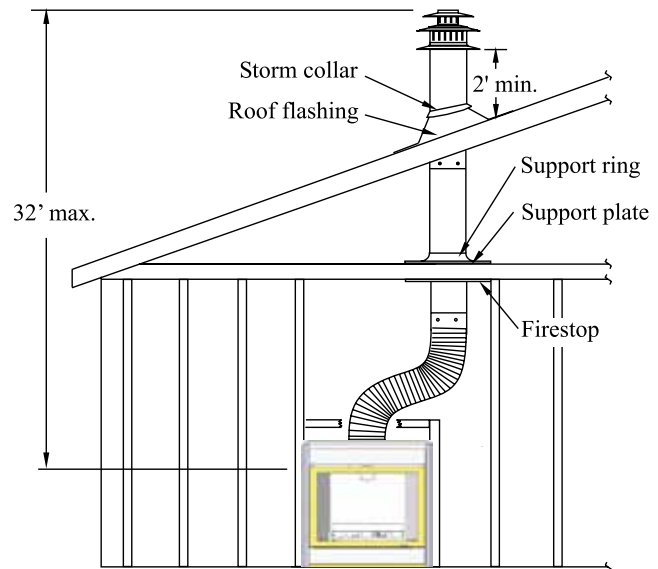


Figure 16. Vertical venting with 1 offset (1 offset= two 90° bends).

Installation

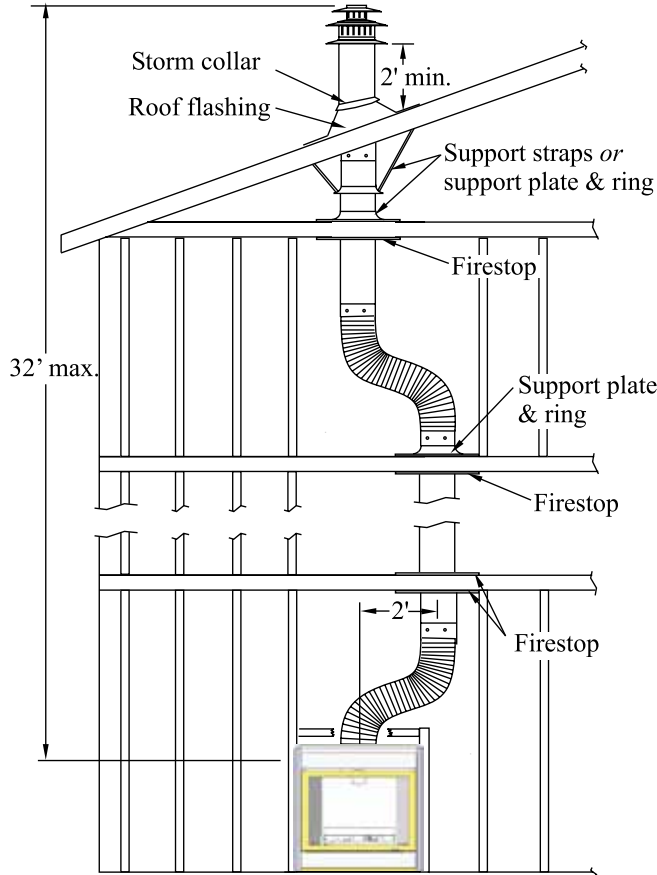


Figure 17. Vertical venting with 2 offsets (1 offset= two 90° bends).

Reduced Vertical Installation

It is possible to reduce vertical vent runs from 5"8" venting to 4"7" venting. Reduced vertical venting may only be used when the installation exceeds 12 feet and terminates through the roof, and if the vertical vent reducer is used with the following venting configuration.

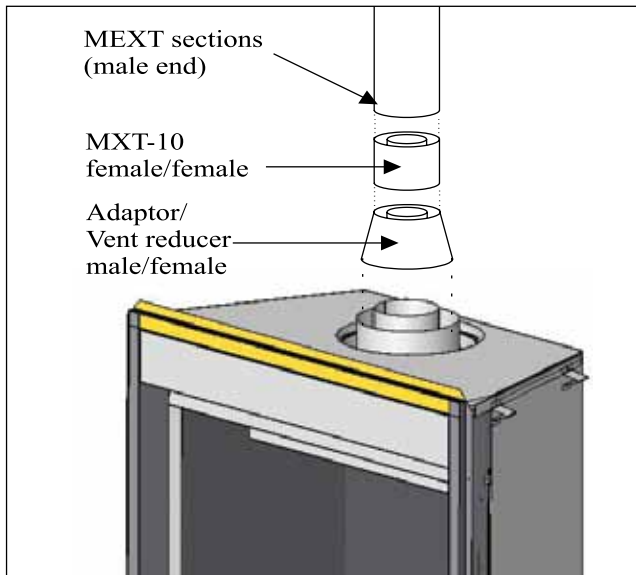


Figure 18. Reducing Vertical Vent from 5/8" to 4/7".

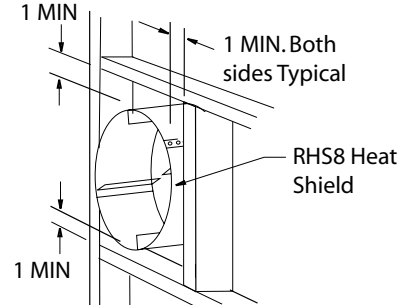


Figure 18a. RHS8 Installation. (Install by sliding over vent pipe where it passes through the combustible construction.)

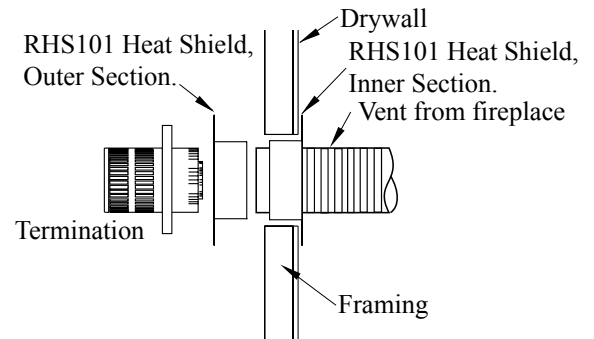


Figure 18b. RHS101 Installation. (Install by sliding over vent pipe where it passes through the combustible construction.)

Installation



Rear Vent Venting Runs

The H38DF-Series Rear Vent has three possible installations which do not require vertical lift, all of these installations require that you install the RHS101 heat shield.

Heat Shield

The heat shield (RHS101) must be used on **all installations straight through the wall**, at the point where the vent pipe connects to the termination. With the heat shield, proper vent clearances can be maintained. **The heat shield is not included with the fireplace.**

To install the heat shield, slide one section over the vent pipe on the inside of the wall opening, with the circular portion *inside the wall cavity*. Screw the shield in place over the wall opening. Install the second section on the outside of the wall opening sliding the circular portion into the wall opening. Refer to **Figure 19**.

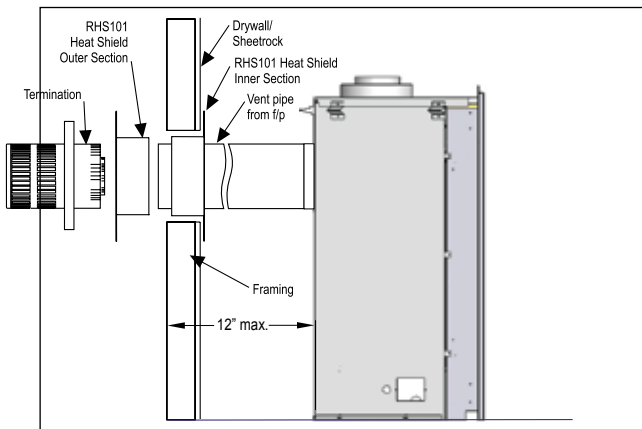


Figure 19. RHS101 Heat Shield. Install by sliding over the vent pipe where it passes through combustible construction.

1. Straight Installation.

The height from the hearth to the center of the termination is 21 3/4". For straight installations use a 12" extension pipe (PXT-12) with female/female connections. For shorter installations, cut the vent to the desired length. Refer to **figure 19**.

Ensure that the RHS101 heat shield is installed before attaching the pipe to the termination.

Note: For Rear Vent models, maximum horizontal run with no vertical lift must never exceed 12".

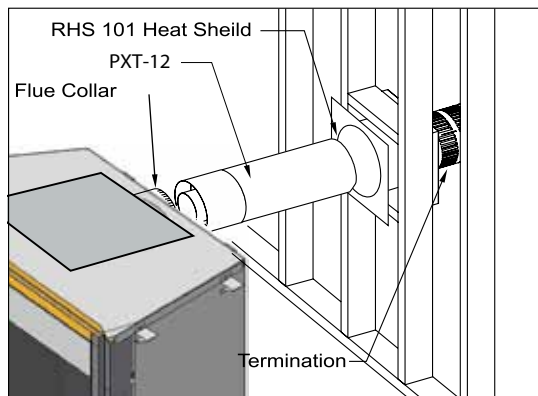


Figure 19. Extended installation.

2. 45° Corner Installation.

Attach an EEL-45/PEL-45 (45° elbow) directly onto the flue collar. Cut the EXT-18/PXT-20 to suit, and attach it to the EEL-45/PEL-45. Slide the fireplace into position and attach to the termination.

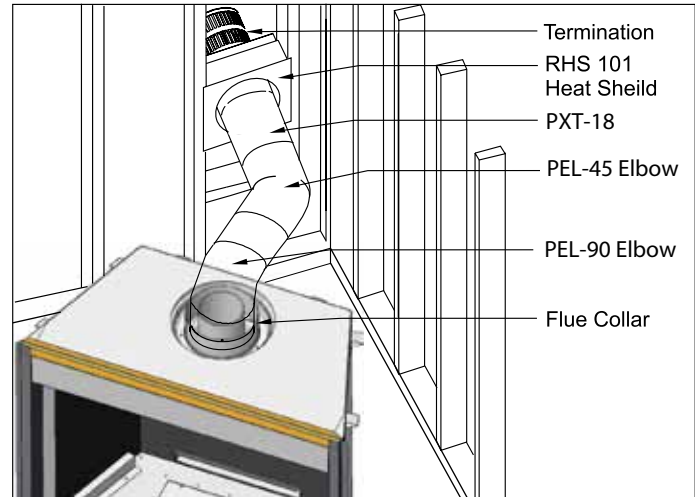


Figure 20. Corner installation.

3. Corner Installation — 45° or less.

Use an MTO-3/PTO-3 termination and an MFL-1/PFL-1 or PFL-2 (12" or 24" compressed length) and a frame, if appropriate. Flex may be turned to obtain desired degree of angle required but must not exceed 45°.

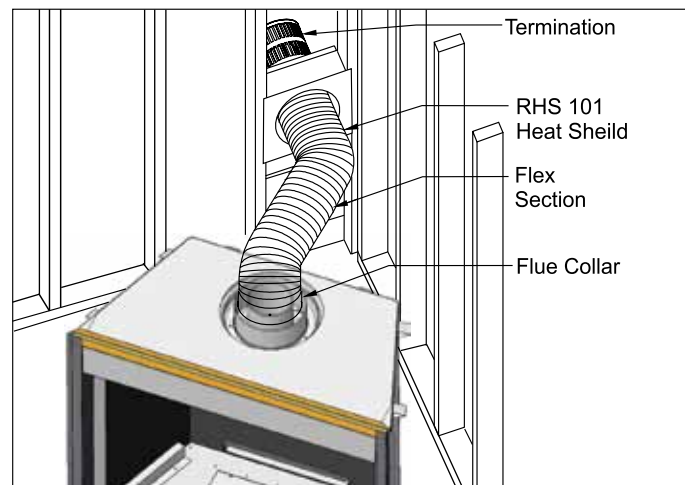


Figure 21. Flex installation. (NG Models Only)

Note: Through the wall venting kits are also available for both the Straight and the Corner Installation. The Kit includes a heat shield, a PFL-12 (f/f) flexible pipe, and a termination with or without a mounting frame.

Important: Some models are not available to be installed in a rear vent application. Please refer to the model specifications on page 2 of this manual.



Installation

H38DF-Series

Example A: (Acceptable Installation)

If the vertical dimension from the hearth is 84" and the horizontal run to the wall flange of the vent termination is 36", this would be an acceptable installation.

Example B: (Acceptable Installation)

If the vertical dimension from the hearth is 108" and the horizontal run to the wall flange of the vent termination is 120", this would be an acceptable installation.

Example C: (Unacceptable Installation)

If the vertical dimension from the floor of the fireplace is 72" and the horizontal run to the wall flange of the vent termination is 84", this would **NOT** be an acceptable installation.

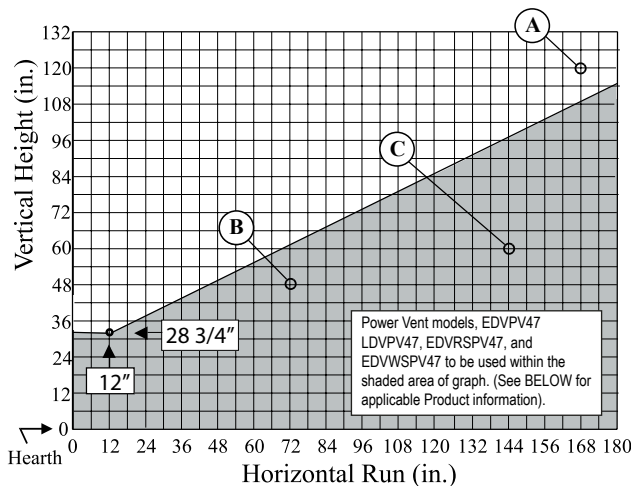


Figure 22a. H38DF-Series Multi-Elbow Venting Graph.

Installation

The following venting components are available for an H38DF, in a **Rear Vent** installation:

	5" / 8" Venting
A - TerminationP	TO-3 (3" Length) PTO-3F (3" Length)
B - Stucco Kits	MSR (Stucco Frame) BSR-4 (4" Brick Frame) BSR-6 (6" Brick Frame) MOSR (Stucco Can)
C - Flex Sections	PFL-1 (12" Section) PFL-2 (24" Section) PFL-3 (36" Section) PFL-4 (48" Section)
D - Rigid Sections	PEXT-1 (12" m/f Section) PXT-20 (20" section) PEXT-2 (24" m/f Section) PEXT-3 (36" m/f Section) PEXT-4 (48" m/f Section)
E - Elbows	PEL-90MM (m/m 90° Elbow) PEL-90FF (f/f 90° Elbow) PEL-90FM (f/m 90° Elbow) PEL-45FM (f/m 45° Elbow)

NOTES:

All dimension lengths for vertical or horizontal runs are measured from center of the vent pipe.

Venting runs *must* fall within the limits set by the venting graph (see Figure 22a).

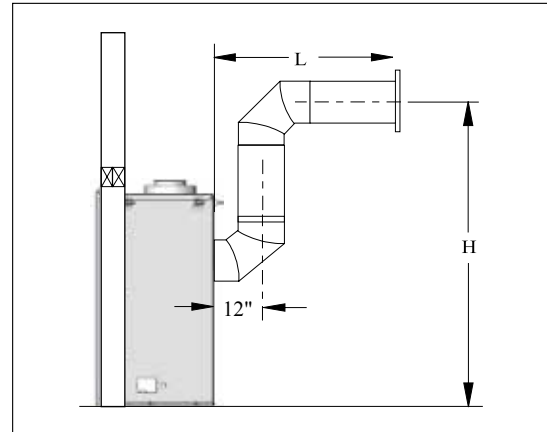


Figure 23. Multi-elbow installation.

For H38DF distance 'H' must be a minimum of 50". The vent run must comply with figure 22b.

Power Vent Runs for H38DF, HL38DF & HR38DF

The H38DF-Series of gas fireplaces can also use Power Vents; if the vent run is beyond the scope of this document, or the specifications recommend vent augmentation. There are four 4/7 Power Vent models available. These Power Vents are required for Superior venting, safe operation & years of trouble free operation.

The available Montigo Power Vent models are:

LDVPV47 (Linear, Interior In-line Power Vent, *document, XG0700*).

EDVPV47 (External Power Vent Module, *document, XG0750*).

EDVRSPV47 (Exterior Vertical Roof mount 4/7 stainless steel Power Vent system, *document, XG1303*)

EDVWSPV47 (Exterior Horizontal Wall mount 4/7 stainless steel Power Vent system, *document, XG1302*).

Installation



Finishing Around the Fireplace

Combustible mantels and mouldings may be safely installed over the top and on the front of the fireplace provided that they do not project beyond shaded area shown in **Figure 24**. Side wall clearances are 3". Combustible surrounds may be installed with 3" clearance to the side of the fireplace as shown in **Figure 25**.

Fireplace Facing

When selecting the finish material for your fireplace, it is important to remember the following:

If the surround of the fireplace is to be painted to match the room decor, heat-resistant paint must be provided. Also, decorative facing must not extend past the fireplace opening at all, because it will interfere with the access to retainers for removal of glass door and access to the lower compartment.

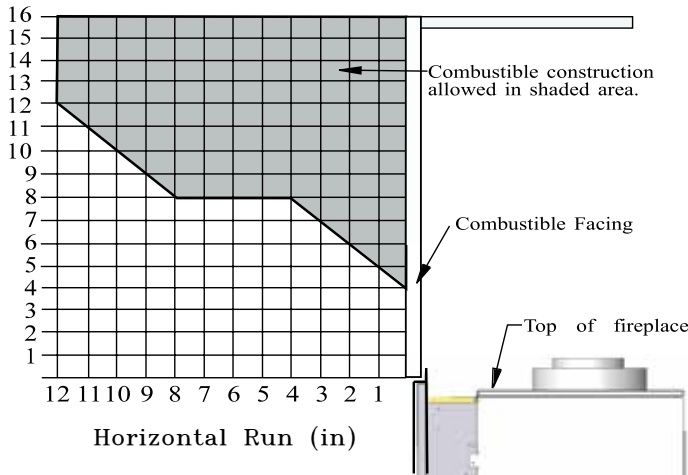


Figure 24. Combustible mantles and facings.

Mantels & Surrounds

NOTE: National Canadian Gas Association mantel test requirements are for fire hazard prevention to combustible materials.

New technology, to meet consumer and government demands for the wise use of energy, has prompted us to manufacture many models of fireplaces which are hot, fuel and energy efficient.

Please be aware; temperatures over the mantel will rise above normal room temperature and walls above fireplace may be hot to touch.

Warning:

When covering the upper metal portion of the fireplace with a non-combustible material Please Note: The decorative facing materials may be subject to temperatures in excess of 250° F. This should be considered when selecting facing materials.

We recommend careful consideration be given to the effects of elevated mantel temperatures which may be in excess of product design, for example: candles, plastic or pictures. This can cause melting, deformation, discoloration or premature failure of T.V. and radio components.

Painting:

Special care is recommended by the Master Painters and Decorators Association, when painting the fireplace surrounds, to select and apply a quality **Alkyd sealer** prior to the applying of latex paints. This is to prevent leaching of water from evaporation and causing a brownish staining effect to paint over coats.

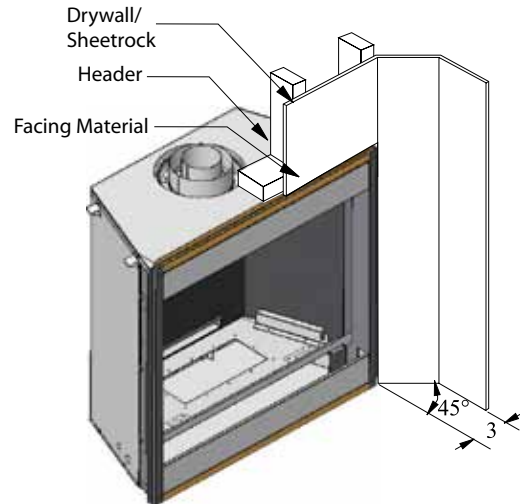


Figure 25. Combustible surrounds.

Wiring

Gas Control and Pilot Wiring

H38DF-I

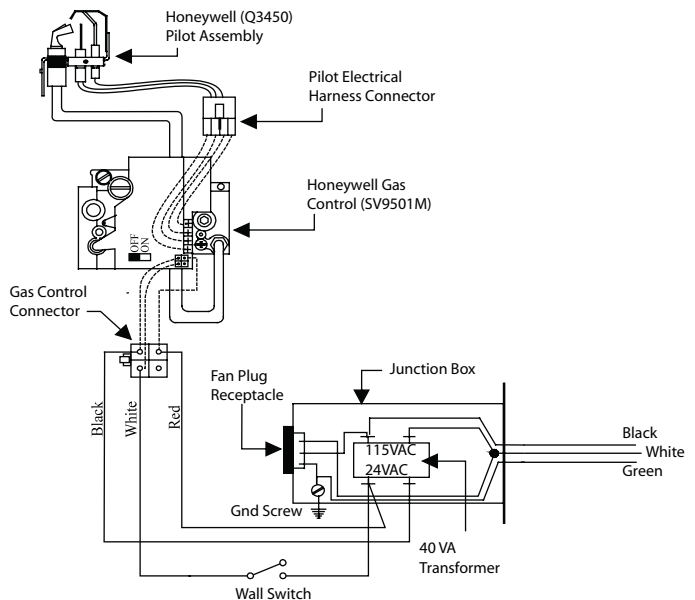


Figure 26. Wiring for the H38DF-I with Honeywell gas control and pilot.



Installation

Wiring for the optional Fan Kit

All H38DF-Series fireplaces may be equipped with optional fan kits for circulating heat into the living space.

Installations in Canada which employ the fans must be electrically grounded in accordance with **CSA C22.1** Canadian Electrical Code Part 1 and/or Local Codes.

Installations in the USA which employ the fans must be grounded in accordance with local codes or, in the absence of local codes, with the National Electrical Code, **ANSI/NFPA 70-1987**.

For more information see the **Fan Kit Installation Guide** included with the fan kit.

NOTE: If any of the original wire supplied with the appliance is replaced, it must be replaced with the same type, or its equivalent.

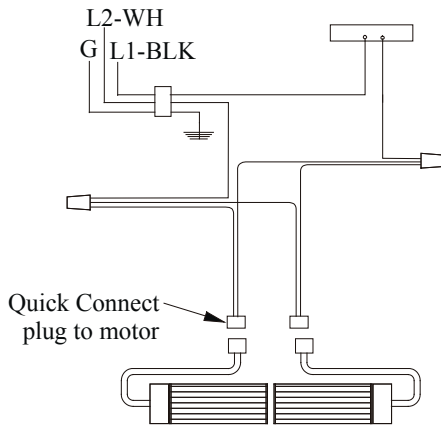


Figure 27a. Wiring for optional fans.

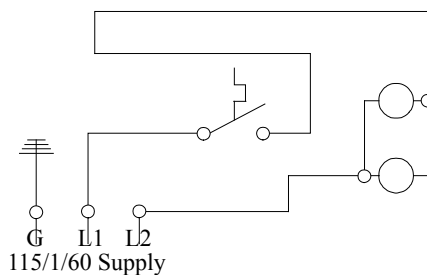


Figure 27b. Wiring schematic for optional fans.



WARNING!

Do not attempt to clean glass when hot.

Do not clean glass with abrasive materials as any glass etching may cause premature glass failure.

Do not operate this fireplace without the glass door, or with a broken glass door.

Installation



Removing and Installing the Door

Removing the door:

The H38DF-Series door is removed in a few simple steps. Follow these Steps below to remove the Horizontal access panel, unlatch the door buckles and, remove the door. Replace in reverse order.

Step 1: Remove the Horizontal Access Panel-

Remove the Horizontal cover by placing fingers in both finger holes, then pushing away from you and lifting out. Place it aside during maintenance or cleaning. Install in reverse order.



Figure 28. Removing and installing the the Horizontal Access Panel

Step 2: Locate the Door Buckles:

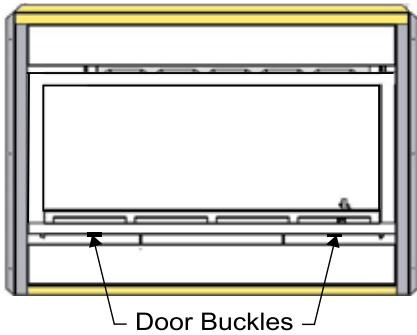


Figure 28a. Locate the door buckles. (Both Sides Typical)

Step 3: Release the Door Buckles



Figure 28b. Door buckle Tool

Step 4:

Firmly grasp hand-hold end of Door buckle tool and place the machined end in the slot under door frame. (as shown)

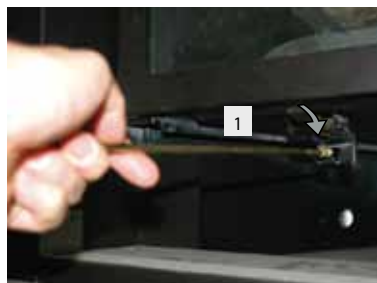


Figure 28c.

Step 5:

Ensure the tool is firmly in the lower end of the slot, (as shown), Then pull toward you (Caution: hold the tool securely).

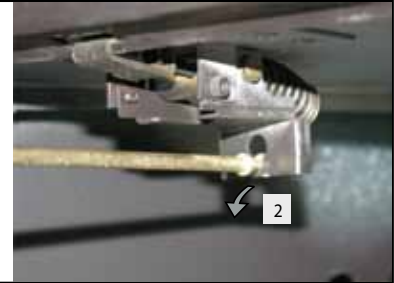


Figure 28d.

Step 6:

Pull hard if necessary to release the spring tension. (Caution: The latch springs back with force, hold the tool securely).



Figure 28e.

Step 7:

Remove the tool from the latch slot. Ensure the latches are hanging freely, the hook end is released from the bottom of the door. (Repeat all 4-steps for the remaining latches).



Figure 28f.

Step 8: Removing the Door:

Grasp the Door on either side, usually midway and lift upward, lift the door carefully up and away from the front of the fireplace. See figures 28g. Place the Door aside in a safe place while maintenance and / or cleaning is being performed.

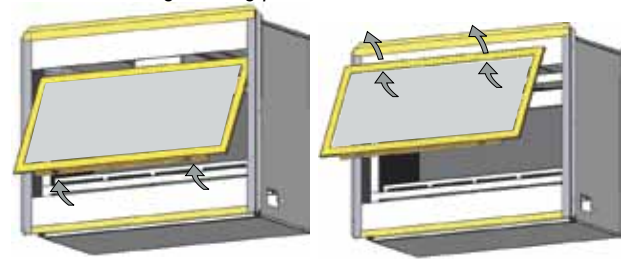


Figure 28g. Removing and installing the glass door.

Installing the Door:

To install the door, hook the top edge of the door frame into place. Lower the door into position and follow the previous steps shown in reverse order.



Installation

Installing the HL38DF Glass Beads and Optional River Rocks

Beads

The HL38DF fireplace is supplied with Designer Glass beads. Remove the Door and trim as shown in the previous Instruction. Follow these instructions to ensure all parts are removed or replaced as required. Once the Trim and glass doors are removed place the marbles randomly across the pan and the burners as described in **Figure 29 to 29d**.

Note: (N.G.) Natural Gas models, Only cover the Optional burner covers with one layer of designer beads.



Figure 29. Installation of the Optional burner covers , (end to end; place evenly).



Figure 29a. Installation of the designer beads. (Ensure one layer of beads covers the burner and pilot covers.



Figure 29b. Spreading designer beads evenly .



Figure 29c. Completed glass bead installation.

Part No. XG0147 - 011410



Figure 29d. Operating Natural gas fireplace with one layer of designer glass beads.

Propane HL38DF fireplace have the option of installing the optional cultured rocks or designer glass beads. As described below (Propane gas), the designer beads or cultured rocks cannot cover the burners. Doing so produces an undesirable / uneven flame pattern, and eventual sooting.

www.montigo.com

Note: (LP gas) Ensure the optional river rocks or designer glass beads do not cover the Burners.



Figure 30. Completed glass bead installation. (Note: place glass beads on top of mesh pilot cover.



Figure 30a. Operating Propane gas fireplace with designer glass beads surrounding burner tray.

Optional River Rocks

The HL38DF fireplace has the option of installing the cultured rocks which mimic real stone. These may be spaced at random, or in a visual pattern of your preference. See the Montigo web site for photographs and ideas.

www.montigo.com



Installing the Log Set

Installing the Logs:

The H38DF is supplied with a seven ceramic fibre log logset. Unpack the logs and handle them very carefully.

Step 1. Remove the glass door as described on **Page 15**.



Figure 35a. Placing Bottom Rear Log.

Step 2. Place the bottom Rear log as shown in **figure 35a**.

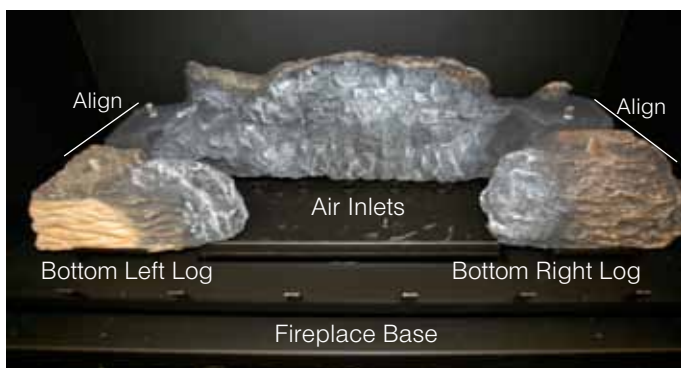


Figure 35b. Placing Bottom Right / Left Logs.

Step 3. Place the bottom Right and Left logs as shown in **figure 35b**.

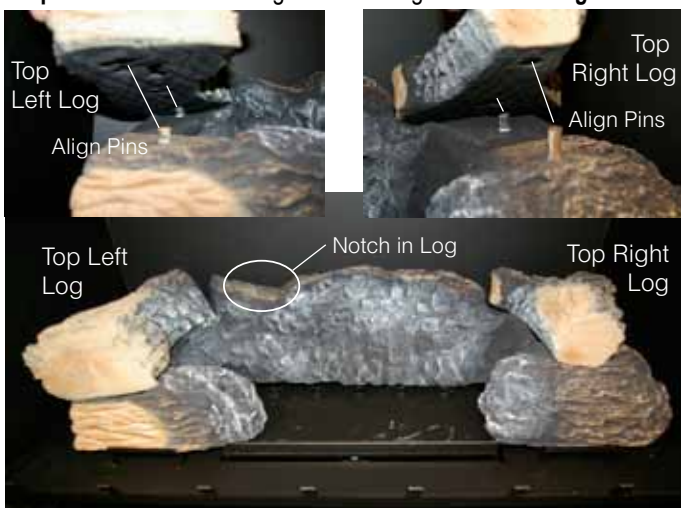


Figure 35c. Top Left / Right Log.

Step 4. Place the Top Right log as shown in **figure 35c**. using the (4) four alignment pins protruding from the top of the Right and Left Bottom Logs, as shown in **figure 35c**. With these pins align the Top Right and Left logs using the predetermined alignment holes

the underside of the logs, as shown above, **figure 35c** insets.

Step 5. Place the Centre Front log, **Figure 35d** below, as shown using the notch cast in the Bottom Rear log as shown in **figure 35c** above.



Figure 35d. Placing Centre Front Log.

Step 7. Place the Right Centre log as shown in **figure 35e**.

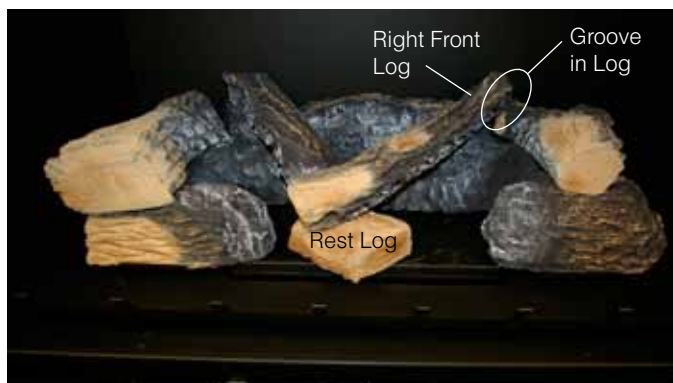


Figure 35e. Placing Right Center Log.

Step 8. Place the Right Center log as shown using the notch in the Top Right log as a guide, **figure 35f**.

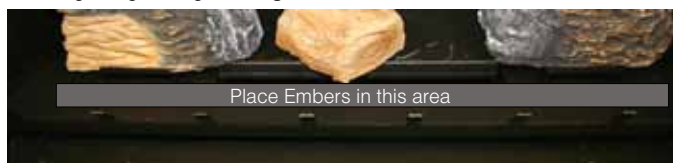


Figure 35f. Placing Embers.

Step 9. Place the Embers as shown in **figure 35f**.

Arrange the ember chips on top of the burner tray. Care should be taken when placing the embers, as blocked burner ports may cause an incorrect flame pattern, carbon deposits and delayed ignition. Also, the embers must never be placed in a way that obstructs any of the air inlet ports, located at the rear of the burner, as shown in **figure 35b**.

Cautions:

- If logs are not placed properly, excessive sooting will result.
- The surface of the logs will crack due to the heat from the flames. This is a normal occurrence.



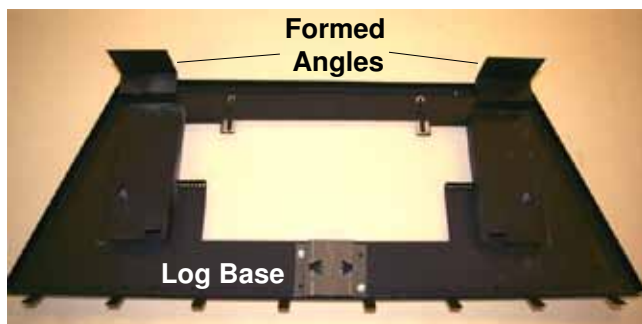
Installation

H38DF

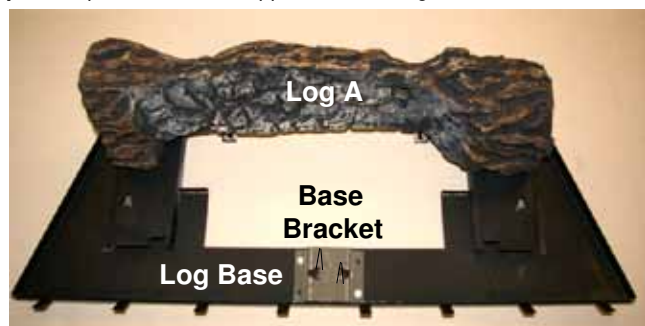
Installing the Alternate Log Set

Installing the Logs:

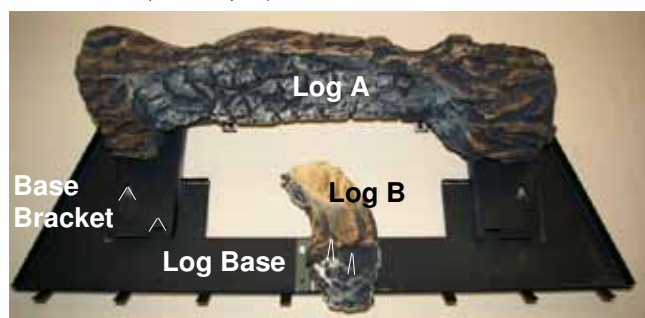
The H38DF is supplied with a seven ceramic fibre log logset. Unpack the logs and handle them very carefully.



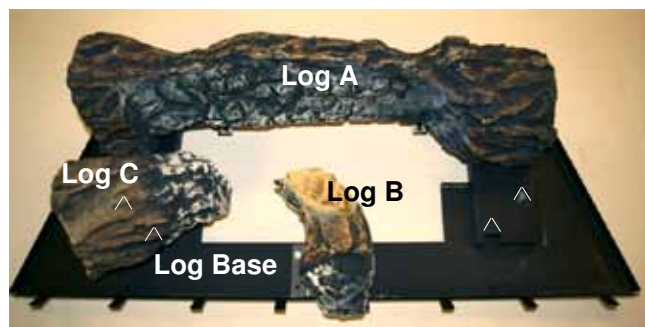
Step 1. Fireplace Base as shipped from Montigo.



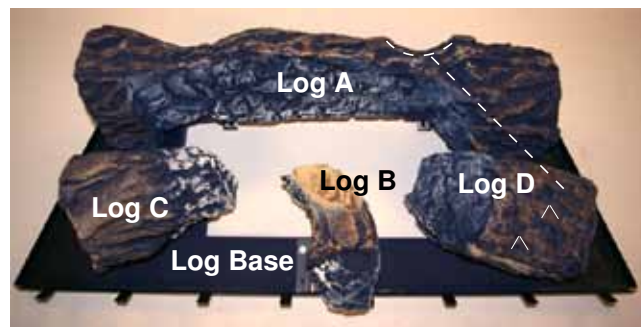
Step 2. Place Log "A" as shown vertical against the (2) formed Angles. Center in Firebox (See Step 1.).



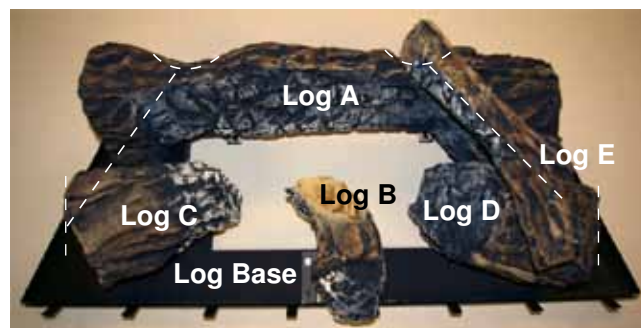
Step 3. Place Log "B" as shown. Press the Log onto the (2) formed pins, shown. Center in Firebox).



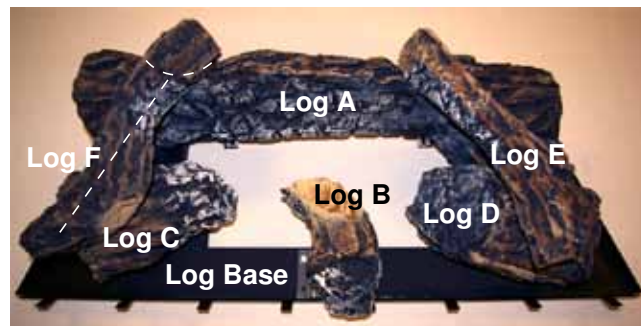
Step 4. Place Log "C" as shown. Place the Log on the Left-hand bracket (pointing inward toward the burners) and press onto the (2) formed pins, shown.



Step 5. Place Log "D" as shown. Place the Log on the Right-hand bracket (pointing inward toward the burners) and press onto the (2) formed pins, shown.



Step 6. Place Log "E" as shown. Align the Log with the top end cradled in the notch on the top of Log "A". Angle the Log flush with outer end of Log "D".



Step 7. Completing the Log Set Installation; Place the final Log "F" as shown. Align the Log with the top end cradled in the Left notch on the top of Log "A". Angle the Log flush with outer end of Log "C".

Cautions:

- If logs are not placed properly, excessive sooting will result.
- The surface of the logs will crack due to the heat from the flames. This is a normal occurrence.



Installing the HR38DF Artificial Rocks

Installing the Artificial Rocks:

The HR38DF is supplied with (29) twenty-nine faux ceramic fibre river rock. Unpack the rocks and handle them very carefully. Shown Below:

1. Remove the glass door as described on **Pages 16**.

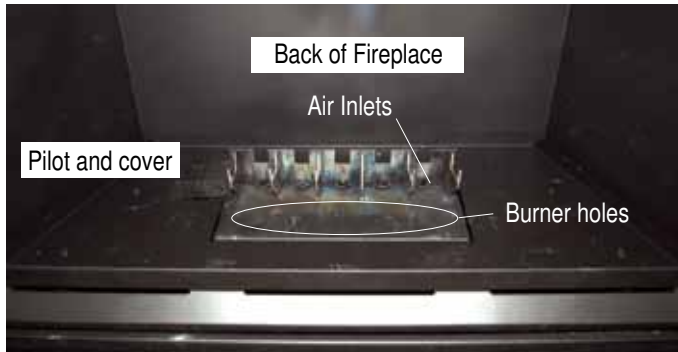


Figure 38a. Firebox prior to faux ceramic fibre rock installation.

2. Install Rear faux "A" ceramic 3 in 1 Rock as shown in **Figure 38b**.

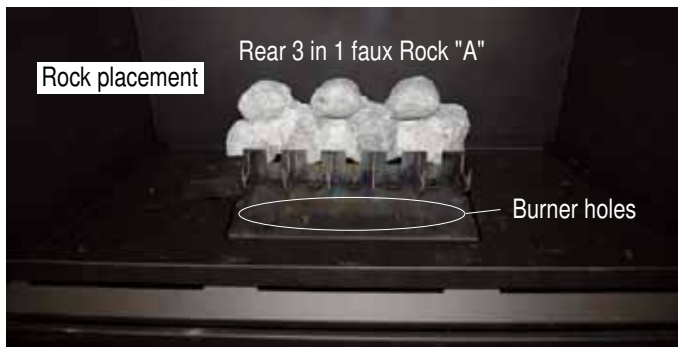


Figure 38b. Placement of Rear faux ceramic rock "A" (flat surfaces of rock on bottom pan of the fireplace). Note size and location of rock.

3. Install Lower (17) seventeen Faux Rock "B" as shown in **Figure 38c**. Note: place cut surfaces of Rocks face down on firebox Pan.



Figure 38c. Placement of (17) seventeen Lower "B" faux ceramic rocks. Note approximate location and placement. (Do not cover the burner holes if possible). (Place one of the rocks on top of the Pilot cover *).

4. Next step, install the Upper (8) eight Faux Rock "C" as shown in **Figure 38d**. Note: place cut surfaces of Rocks face down on lower Rocks.



Figure 38d. Placement of (8) eight LH & RH Side "C" faux ceramic rocks. (Marked).

Note: approximate location and placement. (Place on top, in between the lower layer rocks in a pleasing pattern).

5. Next step, install the Front (3) three Center Front Faux Rocks "D" as shown in **Figure 38e & 38f**.

Note: place cut surfaces of Rocks face down on lower Rocks.



Figure 38e.



Figure 38f. Completed Placement of Faux Rocks

Note: You may have to adjust these three Faux rocks to produce a pleasing flame pattern and reduce sooting.



Operation - Model H38DF

H38DF

with Continuous Pilot

For Your Safety - READ BEFORE LIGHTING:

WARNING: If you do not follow these instructions exactly, a fire or explosion may result causing property damage, personal injury or loss of life.

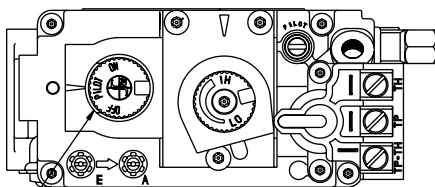
- A. This appliance has a pilot which must be lighted by hand. When lighting the pilot, follow these instructions exactly.
- B. **BEFORE LIGHTING** smell all around the appliance area for gas. Be sure to smell next to the floor because some gas is heavier than air and will settle on the floor.

What To Do If You Smell Gas:

 - Do not try to light any appliance.
 - Do not touch any electrical switch; do not use any phone in your building.
 - Immediately call your gas supplier from a neighbour's phone. Follow the gas supplier's instructions.
- If you cannot reach your gas supplier, call the Fire Department.
- C. Use only your hand to push in or turn the gas control knob. Never use tools. If the knob will not push in or turn by hand, don't try to repair it, call a qualified service technician. Force or attempt to repair may result in a fire or explosion.
- D. Do not use this appliance if any part has been under water. Immediately call a qualified service technician to inspect the appliance and to replace any part of the control system, and any gas control which has been under water.

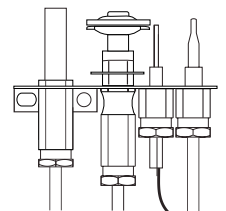
Lighting Instructions:

1. **STOP!** Read the safety information above on this label.
2. Lift out the lower Horizontal access panel.
3. Push in gas control knob and turn clockwise to "OFF."
4. Wait five (5) minutes to clear out any gas. Smell for gas, including near the floor. If you then smell gas, **STOP!** Follow "B" in the safety information above on this label. If you don't smell gas, go to the next step.
5. Locate pilot burner (*See illustration at right.*) and follow steps below.
6. Turn knob on gas control counter clockwise to "PILOT."
7. Push in gas control knob completely and hold. Light with Piezo Igniter button. Continue to hold the control knob in for about (1) minute after the pilot is lit. Release the knob and it will pop back up. Pilot should remain lit. If it goes out repeat steps 3 through 8.
 - If knob does not pop up when released. Stop and immediately call your service technician or gas supplier.
 - If the pilot will not stay lit after several tries, turn the gas control knob to "OFF" and call your service technician or gas supplier.
8. Push in gas control knob and turn counter-clockwise to "ON."
9. Replace the lower Horizontal access panel.



Gas Control Knob
(Shown in "Pilot" position.)

NOTE: Gas control knob cannot be turned from "PILOT" to "OFF" unless knob is pushed in slightly. Do not force.



To Turn Off Gas To Appliance:

1. Turn off remote switch.
2. Lift out the lower Horizontal access panel.
3. Push in gas control knob slightly and turn clockwise to "Off". Do not force.
4. Replace the lower Horizontal access panel.

H38DF-I

Operation - Model H38DF-I



with Honeywell Electronic Ignition

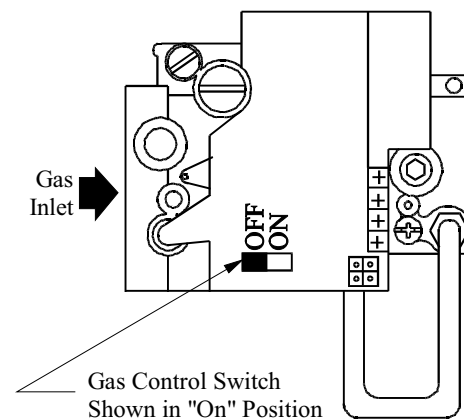
For Your Safety - READ BEFORE LIGHTING:

WARNING: If you do not follow these instructions exactly, a fire or explosion may result causing property damage, personal injury or loss of life.

- A. This appliance is equipped with an ignition system that lights the pilot burner automatically. **Do not attempt to light the pilot by hand.**
- B. **BEFORE LIGHTING** smell all around the appliance area for gas. Be sure to smell next to the floor because some gas is heavier than air and will settle on the floor.
- What To Do If You Smell Gas:**
- Do not try to light any appliance.
 - Do not touch any electrical switch; do not use any phone in your building.
 - Immediately call your gas supplier from a neighbour's phone. Follow the gas supplier's instructions.
- If you cannot reach your gas supplier, call the Fire Department.
- C. Use only your hand to push in or turn the gas control knob. Never use tools. If the knob will not push in or turn by hand, don't try to repair it, call a qualified service technician. Force or attempt to repair may result in a fire or explosion.
- D. Do not use this appliance if any part has been under water. Immediately call a qualified service technician to inspect the appliance and to replace any part of the control system, and any gas control which has been under water.

Lighting Instructions:

1. **STOP!** Read the safety information above on this label.
2. Remove the lower Horizontal access panel.
3. Turn switch on the gas control to "OFF".
4. Wait 5 minutes to clear out any gas. If you smell gas, **STOP!** Follow "B" in the safety information above on this label. If you don't smell gas, go to the next step.
5. Turn switch on the gas control to "ON". **NOTE:** This unit is equipped with an ignition system that lights the pilot burner automatically. **Do not attempt to light the pilot by hand.**
6. Turn on wall switch.
7. Replace the lower Horizontal access panel.
8. If the fireplace does not operate, follow the instructions "To Turn Off Gas To Appliance" and call your service technician or gas supplier.



To Turn Off Gas To Appliance:

1. Turn off remote switch.
2. Remove the lower Horizontal access panel.
3. Turn the switch on the gas control to "Off".
4. Replace the lower Horizontal access panel.



Operation - Model HL38DF-F

HL38DF-F

with Proflame SIT Electronic Ignition

For Your Safety - READ BEFORE LIGHTING:

WARNING: If you do not follow these instructions exactly, a fire or explosion may result causing property damage, personal injury or loss of life.

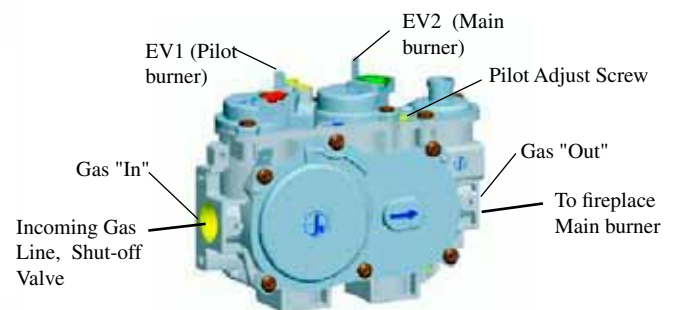
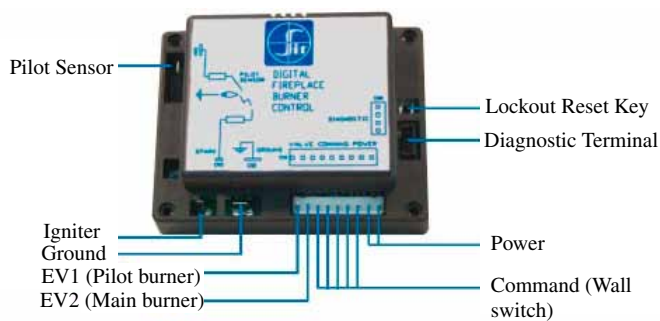
- A. This appliance is equipped with an ignition system that lights the pilot burner automatically. Do not attempt to light the pilot by hand.
- B. BEFORE LIGHTING smell all around the appliance area for gas. Be sure to smell next to the floor because some gas is heavier than air and will settle on the floor.
- C. Use only your hand to push in or turn the gas control knob. Never use tools. If the knob will not push in or turn by hand, don't try to repair it, call a qualified service technician. Force or attempt to repair may result in a fire or explosion.
- D. Do not use this appliance if any part **has been under** water. Immediately call a qualified service technician to inspect the appliance and to replace any part of the control system, and any gas control which has been under water.

What To Do If You Smell Gas:

- Do not try to light any appliance.
- Do not touch any electrical switch; do not use any phone in your building.
- Immediately call your gas supplier from a neighbour's phone. Follow the gas supplier's instructions.
- If you cannot reach your gas supplier, call the Fire Department.

Lighting Instructions:

1. STOP! Read the safety information above on this label.
2. Remove the lower Horizontal access panel.
3. Turn Incoming gas valve to the "ON" position.
4. Wait 5 minutes to clear out any gas. If you smell gas, STOP! Follow "B" in the safety information above on this label. If you don't smell gas, go to the next step.
5. Turn wall switch "ON".
6. If the Fireplace does not light, the System will cycle through two trials, (one minute audible clicking, thirty seconds of silence, and then another one minute of audible clicking). If the system locks out due to inadequate gas flow, refer to "Troubleshooting", Page 20.
7. After completion of the information in the Troubleshooting section, Repeat step 5.
8. If the system will not function correctly, follow the instructions "To Turn Off Gas To Appliance" and call your service technician or gas supplier.



To Turn Off Gas To App

1. Turn off remote switch.
2. Remove the lower Horizontal access panel.
3. Turn the incoming gas control valve to "Off".
4. Replace the lower Horizontal access panel.



Operation

Lighting Instructions

See pages 21 to 24.



Maintenance

General

- **Have the fireplace and installation inspected yearly.** The inspection must include, but is not limited to, the following:
 - A visual check of the entire vent system and termination.
 - An inspection of the explosion relief flappers and the door gasketing to ensure a proper seal.
 - An inspection of the burner, venturi, and primary air openings.
 - An inspection of the gas valve, gas components, and pilot flame. For your convenience a 1/8" manifold pressure tap is supplied on the gas valve for a test gauge connection. See Figure 32.
 - Ensure proper log placement as per this manual.
 - Inspection of all optional equipment; fans, thermostats, etc.
- For **Natural Gas** this appliance requires a minimum inlet pressure of 5.5" W.C. and a manifold pressure of 3.5" W.C.
- For **Propane Gas** this appliance requires a minimum inlet pressure of 11" W.C. and a manifold pressure of 10" W.C.
- Always keep the fireplace area clear and free of combustible materials, as well as gasoline and other flammable vapors and liquids.
- Do not use this appliance if *any part has been underwater*. Immediately call a qualified service technician to inspect the appliance and to replace any part of the control system and any gas control which has been under water.

Cleaning

When the fireplace is first activated, there may be some smoking and a visible film may be left on the glass. This is a normal condition, and is the result of burning of protective coatings on new metal.

- Glass must be cleaned periodically to remove any film (which is a normal by-product of combustion) which may be visible. Film can easily be removed by removing the door, as shown on page 15. Handle the door carefully, and clean it with non-abrasive glass cleaners. One of the most effective products is Kel Kem.
- Silicone seals on inner door during initial firing will "off gas", leaving a visual deposit of a white substance on combustion chamber walls. This can easily be removed using normal household products.
- Use a vacuum cleaner or whisk broom to keep the control compartment, burner, and firebox free from dust and lint.
- Logs may be cleaned periodically with a vacuum to remove soot or other contaminants.



Cautions:

- Fireplace gas control must be in the "OFF" position and pilot and main burners extinguished when cleaning appliance with a vacuum.
- Doors and logs can get very hot. Handle only when cool.



WARNING!

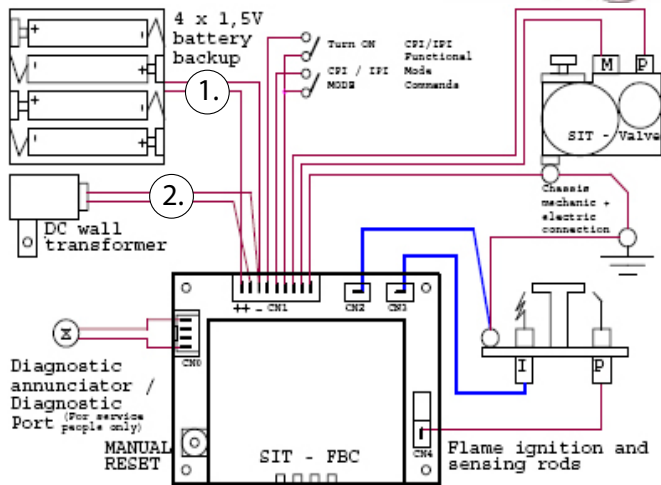
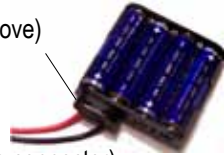
- Do not attempt to clean glass when hot.
- Do not clean glass with abrasive materials as any glass etching may cause premature glass failure.
- Do not operate this fireplace without the glass door, or with a broken glass door.

Maintenance

Troubleshooting **HL38DF-F**

Follow this information to reset the SIT System:

1. Locate the lead to the battery backup, (remove)
(Refer to schematic, below)
2. Locate the AC/DC wall transformer, (Unplug connector)
(Refer to schematic, below)



If your fireplace still does not operate correctly, consult your dealer or the manufacturer.

Maintenance



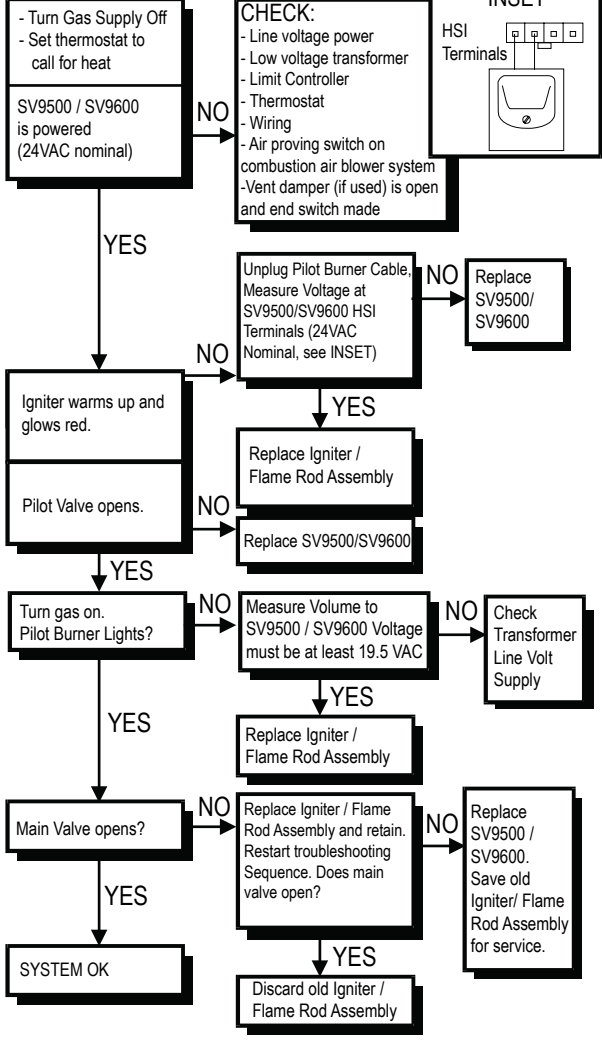
Troubleshooting H38DF-I

HONEYWELL SV9500 /9600

Troubleshooting Sequence

NOTE: Before Troubleshooting, Familiarize Yourself With The Startup And Checkout Procedure.

START



Spare Parts H38DF

	H38DFH	HL38DF	HR38DF
Gas Valve NG	RGC1006	RGC1006	RGC1006
Gas Valve LP	RGC1005	RGC1005	-
Pilot NG	RPA020	RPA020	RPA020
Pilot LP	RPA021	RPA021	-
Burner NG	RBH3801	-	RBH3801
Burner LP	RBH3802	-	-
Orifice NG	ROR1120	-	ROR1120
Orifice LP	ROR1121	-	-
Door	RDTH38	RDTH38	RDTH38
Log Set	RLGSH38	N/A	-
Log Base	RLGSH38B	N/A	N/A

If your fireplace still does not operate correctly, consult your dealer or the manufacturer.

All service and repairs should be performed by a qualified agency.

All spare parts, optional fans, and optional trim finishes are available from your local dealer or the manufacturer.

Warranty

The Warranty

The Companies warrants the Montigo Gas Appliance to be free from defects in materials and workmanship at the time of manufacture. On the Montigo, there is a ten-year warranty on the firebox and its components, a five-year warranty on the main burner and pilot burner, and a one-year warranty on the gas control valve and fibre logs. Glass, plated/painted finishes, and refractory lining are exempt.

Remedy And Exclusions

The coverage of this Warranty is limited to all components of the Gas Appliance manufactured by The Companies.

This Warranty only covers Montigo Gas Appliances installed in the United States or Canada.

If the components of the Gas Appliance covered by this Warranty are found to be defective within the time frame stated (see The Companies right of investigation outlined below). The Companies will, at its option, replace or repair defective components of the Gas Appliance manufactured by The Companies at no charge, and will also pay for reasonable labour costs incurred in replacing or repairing components. If repair or replacement is not commercially practical, The Companies will, at its option, refund the purchase price of the Montigo Gas Appliance.

This Warranty covers only parts and labour as provided above. In no case shall The Companies be responsible for materials, components, or construction which are not manufactured or supplied by The Companies, or for the labour necessary to install, repair or remove such materials, components or construction. All replacement or repair components will be shipped F.O.B. the nearest The Companies factory.

Qualifications To The Warranty

The Gas Appliance Warranty outlined above is further subject to the following qualifications:

- (1) The Gas Appliance must be installed in accordance with The Companies installation instructions and local building codes. The Warranty on this Montigo Gas Appliance covers only the component parts manufactured by The Companies. The use of components manufactured by others with this Montigo Gas Appliance could create serious safety hazards, may result in the denial of certification by recognized national safety agencies, and could be in violation of local building codes. This warranty does not cover any damages occurring from the use of any components not manufactured or supplied by The Companies
- (2) The Montigo Gas Appliance must be subjected to normal use. The Gas Appliances are designed to burn gas only. Burning conventional fireplace fuels such as wood, coal or any other solid fuel will cause damage to the Gas Appliance, will produce excessive temperatures and will result in a fire hazard.

Limitations On Liability

It is expressly agreed and understood that The Companies sole obligation, and purchaser's exclusive remedy under this Warranty, under any other warranty, expressed or implied, or in contract, tort or otherwise, shall be limited to replacement, repair, or refund, as specified above.

In no event shall The Companies be responsible for any incidental or consequential damages caused by defects in its products, whether such damage occurs or is discovered before or after replacement or repair, and whether or not such damage is caused by The Companies negligence. Some states do not allow the exclusion or limitation of incidental or consequential damages, so the above limitation or exclusion may not apply to you. The duration of any implied warranty with respect to this Montigo Gas Appliance is limited to the duration of the foregoing warranty. Some states do not allow limitation on how long an implied warranty lasts, so the above may not apply to you.

Investigation Of Claims Against Warranty

The Companies reserves the right to investigate any and all claims against this Warranty and to decide upon method of settlement.

The Companies Are Not Responsible For Work Done Without Written Consent

The Companies shall in no event be responsible for any warranty work done without first obtaining The Companies written consent.

Dealers Have No Authority To Alter This Warranty

The Companies employees and dealers have no authority to make any warranties nor to authorize any remedies in addition to or inconsistent with those stated above.

How To Register A Claim Against Warranty

In order for any claim under this Warranty to be valid, The Companies must be notified of the claimed defect in writing or by telephone, as soon as reasonably possible after the defect is discovered. Claims against this Warranty in writing should include the date of installation, and a description of the defect.

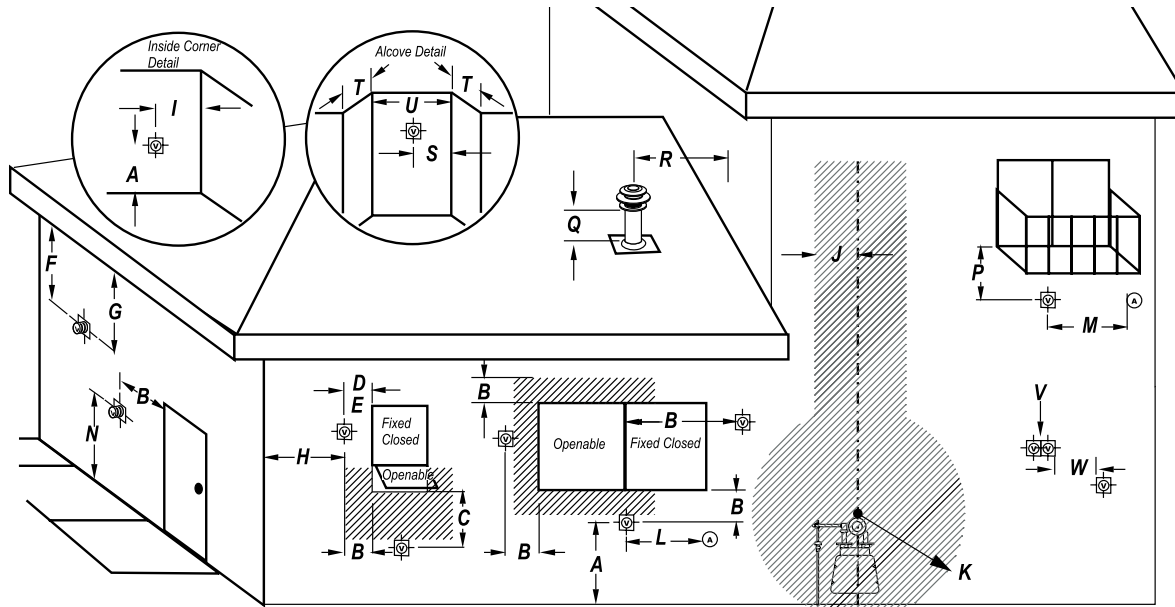
Other Rights

This Warranty gives you specific legal rights, and you may also have other rights which vary from state to state.

NOTE: *The Companies as stated above refer to - Canadian Heating Products Inc. and/or Montigo Del Ray Corp.*

Canadian Heating Products Inc. and/or Montigo DelRay Corp. reserves the right to make changes at any time, without notice, in design, materials, specifications, prices and also to discontinue colors, styles and products.

Appendix A - Termination Locations

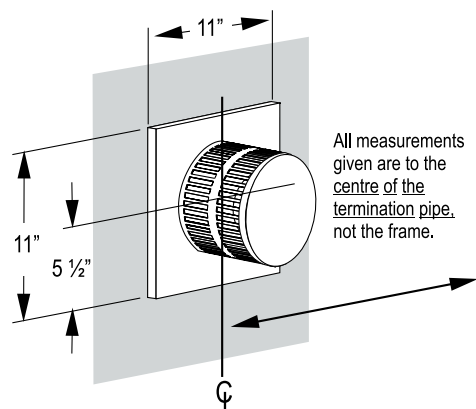


⊕ = vent termination ⊕ = air supply inlet ▨ = area where termination is not permitted

- A** = clearance to the termination frame above grade, veranda, porch, deck, or balcony [16 inches (41 cm) minimum]
- B** = clearance to door, or sides and top of window, that may be opened [16 inches (41 cm) minimum for appliances ≤100 000 BTU/H (30kW)]
- C** = clearance to bottom of window that may be opened horizontally [36 inches (92 cm) minimum for appliances ≤100 000 BTU/H (30kW)]
- D** = no clearance to permanently closed window when installed with approved glass penetration termination
- E** = clearance to permanently closed window [16 inches 41 cm recommended to prevent condensation on window]
- F** = vertical clearance to ventilated soffit located above the termination within a horizontal distance of 2 feet (61 cm) from the centreline of the termination [22 inches (56 cm) minimum]
- G** = clearance to unventilated soffit [16 inches (41 cm) minimum to non-combustibles] [22 inches (56 cm) minimum to combustibles]
- H** = clearance to outside corner [9 inches (23 cm) minimum]
- I** = clearance to inside corner [12 inches (31 cm) minimum]
- J** = * not to be installed above a meter/regulator assembly within 40" (103 cm) horizontally from the centreline of the regulator
- K** = clearance to service regulator vent outlet [3 feet minimum in the United States] [6 feet (1.8 m) minimum in Canada]
- L** = clearance to non-mechanical air supply inlet to building or the combustion air inlet to any other appliance [16 inches (41 cm) minimum for appliances ≤100 000 BTU/H (30kW)]
- M** = clearance to mechanical air supply inlet [6 feet (1.8 m) minimum]

- N** = † clearance above paved sidewalk or a paved driveway located on public property [7 feet (2.1 m) minimum]
 - P** = clearance under veranda, porch, deck, or balcony [16 inches (41 cm) minimum† to non-combustibles] [22 inches (56 cm) minimum† to combustibles]
 - Q** = clearance above a roof [24 inches (61 cm) minimum]
 - R** = clearance to adjacent walls and neighboring buildings [18 inches (46 cm) minimum]
 - S** = clearance from corner in recessed location [12 inches (31 cm) minimum]
 - T** = maximum depth in recessed location [48 inches (122 cm) minimum]
 - U** = minimum width for back wall of recessed location [24 inches (61 cm) minimum]
 - V** = no horizontal clearance between the frames of two terminations that are level.
 - W** = horizontal clearance between the frames of two terminations that are not level. [36 inches (92 cm) minimum]
- † a vent shall not terminate directly above a sidewalk or paved driveway which is located between two single family dwellings and serves both dwellings

† only permitted if veranda, porch, deck, or balcony has an open side that is equal to or greater than the depth of the enclosed area
 * as specified in CGA B149 Installation Codes. Note: local Codes or Regulations may require different clearance.



Appendix B - State of Massachusetts

Amendment

(Gas Fireplace / Equipment sold in the State of Massachusetts)

5.08: Modifications to NFPA-54, Chapter 10

(1) Revise NFPA-54 section 10.5.4.2 by adding a second exception as follows:

Existing chimneys shall be permitted to have their use continued when a gas conversion burner is installed, and shall be equipped with a manually reset device that will automatically shut off the gas to the burner in the event of a sustained back-draft.

(2) Revise 10.8.3 by adding the following additional requirements:

(a) For all side wall horizontally vented gas fueled equipment installed in every dwelling, building or structure used in whole or in part for residential purposes, including those owned or operated by the Commonwealth and where the side wall exhaust vent termination is less than seven (7) feet above finished grade in the area of the venting, including but not limited to decks and porches, the following requirements shall be satisfied:

1. INSTALLATION OF CARBON MONOXIDE DETECTORS. At the time of installation of the side wall horizontal vented gas fueled equipment, the installing plumber or gas fitter shall observe that a hard wired carbon monoxide detector with an alarm and battery back-up is installed on the floor level where the gas equipment is to be installed. In addition, the installing plumber or gas fitter shall observe that a battery operated or hard wired carbon monoxide detector with an alarm is installed on each additional level of the dwelling, building or structure served by the side wall horizontal vented gas fueled equipment. It shall be the responsibility of the property owner to secure the services of qualified licensed professionals for the installation of hard wired carbon monoxide detectors

a. In the event that the side wall horizontally vented gas fueled equipment is installed in a crawl space or an attic, the hard wired carbon monoxide detector with alarm and battery back-up may be installed on the next adjacent floor level.

b. In the event that the requirements of this subdivision can not be met at the time of completion of installation, the owner shall have a period of thirty (30) days to comply with the above requirements; provided, however, that during said thirty (30) day period, a battery operated carbon monoxide detector with an alarm shall be installed.

2. APPROVED CARBON MONOXIDE DETECTORS. Each carbon monoxide detector as required in accordance with the above provisions shall comply with NFPA 720 and be ANSI/UL 2034 listed and IAS certified.

3. SIGNAGE. A metal or plastic identification plate shall be permanently mounted to the exterior of the building at a minimum height of eight (8) feet above grade directly in line with the exhaust vent terminal for the horizontally vented gas fueled heating appliance or equipment. The sign shall read, in print size no less than one-half (1/2) inch in size, "GAS VENT DIRECTLY BELOW. KEEP CLEAR OF ALL OBSTRUCTIONS".

4. INSPECTION. The state or local gas inspector of the side wall horizontally vented gas fueled equipment shall not approve the installation unless, upon inspection, the inspector observes carbon monoxide detectors and signage installed in accordance with the provisions of 248 CMR 5.08(2)(a)1 through 4.

(b) EXEMPTIONS: The following equipment is exempt from 248 CMR 5.08(2)(a)1 through 4:

1. The equipment listed in Chapter 10 entitled "Equipment Not Required To Be Vented" in the most current edition of NFPA 54 as adopted by the Board; and

2. Product Approved side wall horizontally vented gas fueled equipment installed in a room or structure separate from the dwelling, building or structure used in whole or in part for residential purposes.

(c) MANUFACTURER REQUIREMENTS - GAS EQUIPMENT VENTING SYSTEM PROVIDED. When the manufacturer of Product Approved side wall horizontally vented gas equipment provides a venting system design or venting system components with the equipment, the instructions provided by the manufacturer for installation of the equipment and the venting system shall include:

1. Detailed instructions for the installation of the venting system design or the venting system components; and

2. A complete parts list for the venting system design or venting system.

(d) MANUFACTURER REQUIREMENTS - GAS EQUIPMENT VENTING SYSTEM NOT PROVIDED. When the manufacturer of a Product Approved side wall horizontally vented gas fueled equipment does not provide the parts for venting the flue gases, but identifies "special venting systems", the following requirements shall be satisfied by the manufacturer:

1. The referenced "special venting system" instructions shall be included with the appliance or equipment installation instructions; and

2. The "special venting systems" shall be Product Approved by the Board, and the instructions for that system shall include a parts list and detailed installation instructions.

(e) A copy of all installation instructions for all Product Approved side wall horizontally vented gas fueled equipment, all venting instructions, all parts lists for venting instructions, and/or all venting design instructions shall remain with the appliance or equipment at the completion of the installation.

(3) After NFPA-54 section 10.10.4.2 add a new section 10.10.4.3 as follows:

When more than four gas appliances are to be vented through a common gas vent or common horizontal vent manifold, a plan of the proposed vent installation shall be submitted to the Inspector and the serving gas supplier for review and approval.

Extraction from: Massachusetts Rules and Regulations

5.00: Amendments To 2002 Edition Of ANSI Z223.1-NFPA-54

Notes

Notes



XG0147 - 011410

Canadian Heating Products Inc.
Langley, BC V4W 4A1

Montigo Del Ray Corp.
Ferndale, WA 98248