

Global Service Parts & Kits

Vacuum Regulators & Flowmeters



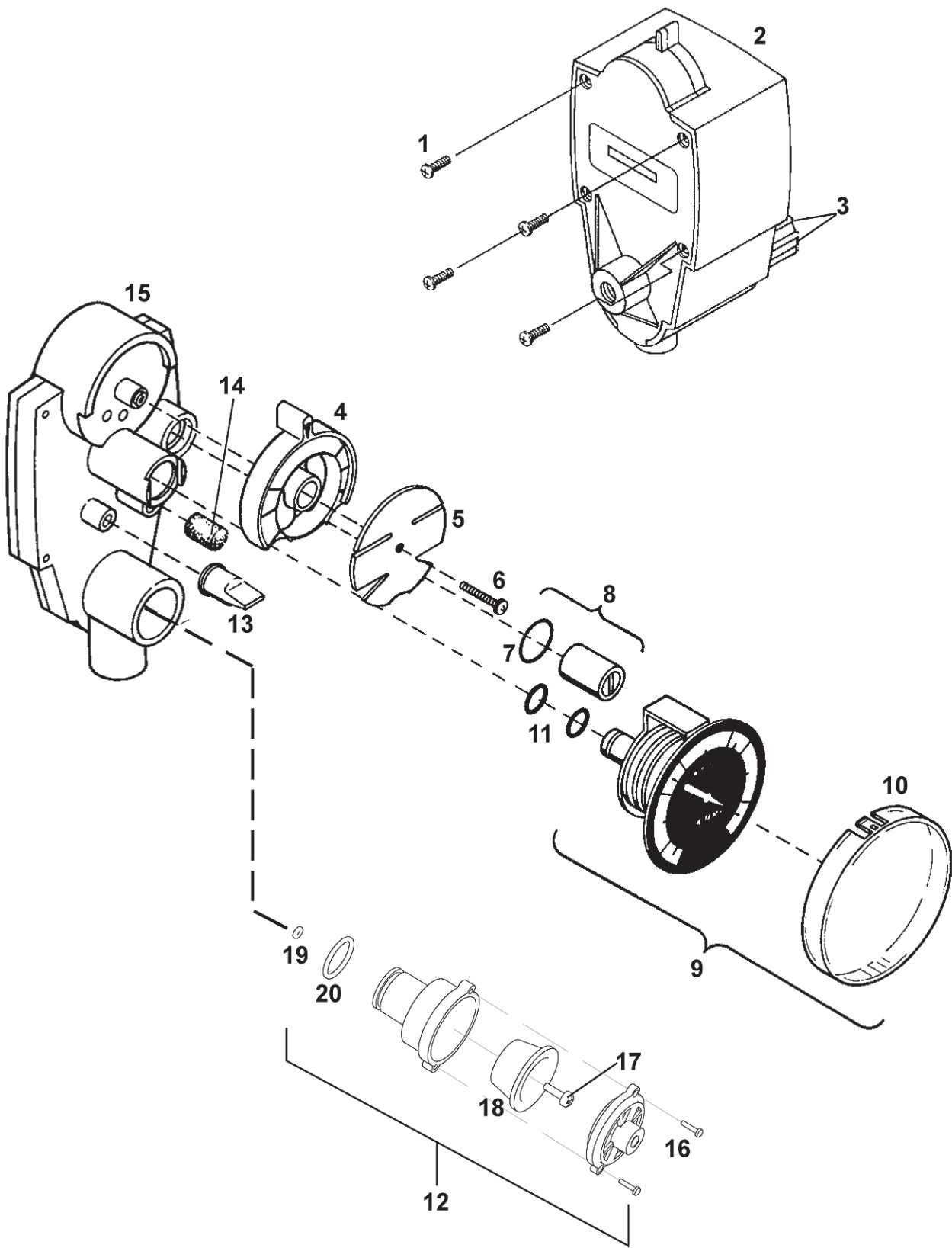
Continuous Vacuum Regulator (CVR)

Parts		Multi-Paks		Kits*			
Description	Part Number	Part Number	Qty/ Pak	0221-5871-870 Filter & O-Ring Kit	6700-0043-200 Svc Kit/Std 7 High	6700-0044-200 Service Kit/Low	6700-0030-700 Diaphragm Rpl Kit
1. Cover Screw (4)	6700-0152-400						
2. Cover Assy., Low** Cover Assy., Std/High	6700-0629-850 6700-0628-850						
3. Low Vacuum Limiting Screw (2) (Not Shown) (Low Models Only) Increase Label (Not Shown)	6700-0058-400 6700-0164-100						
4. Switch	6700-0078-500						
5. Switch Plate, 3 Mode Switch Plate, 2 Mode/Low	6700-0193-500 6700-0194-500						
6. Screw	6700-0152-400						
7. O-Ring, Vacuum Relief Valve (Low Modes Only)	6700-0135-500			1		1	
8. Vacuum Relief Valve & O-Ring, (Low Modes Only)	6700-0660-850						
9. Gauge Assy. (Includes Items 10 & 11) ANSI® Std, 0-200 mmHg ANSI Low, 0-160 mmHg ANSI High, 0-760 mmHg ISO® Low, ccw ISO High, ccw	6700-0050-200 6700-0050-202 6700-0050-201 6700-0050-205 6700-0050-204	0205-8689-870 6700-0098-200 6700-0097-200	4				
10. Lens	6700-0087-500						
11. O-Ring (2), Buna-N	6700-0130-500			2	2	2	
12. Regulator Module Std/High Models Low Models	6700-1225-800 6700-0428-800	6700-0026-700 6700-0190-700	6 6				
13. Positive Pressure Safety Relief Valve		6700-0110-400			1	1	
14. Filter (Internal)	0206-5159-300			2	1	1	
15. Base ANSI Std and High (2 & 3 Mode) ANSI Low ISO Low ISO High	6700-0018-203 6700-0029-203 6700-0029-200 6700-0018-200	6700-0194-700 6700-0198-700 6700-0195-700 6700-0191-700	4 4 4 4				
16. Screw, 4-20, Ph. Hd	6700-0078-400				2	2	2
17. Screw, 4-40 x .38, Ph. Hd					1	1	1
18. Diaphragm					1	1	1
19. O-Ring, Stem	0210-0527-300			1	1	1	1
20. O-Ring Module	6700-0136-500			2	1	1	1
21. Service Manual	6700-0201-700						

* Kits contain the noted quantities of items in the corresponding rows

** If current unit does not have limit screws inside the cover behind the control knob and the relay vent has 4 vent holes, the Std/High part can be purchased

Continuous Vacuum Regulator (CVR)

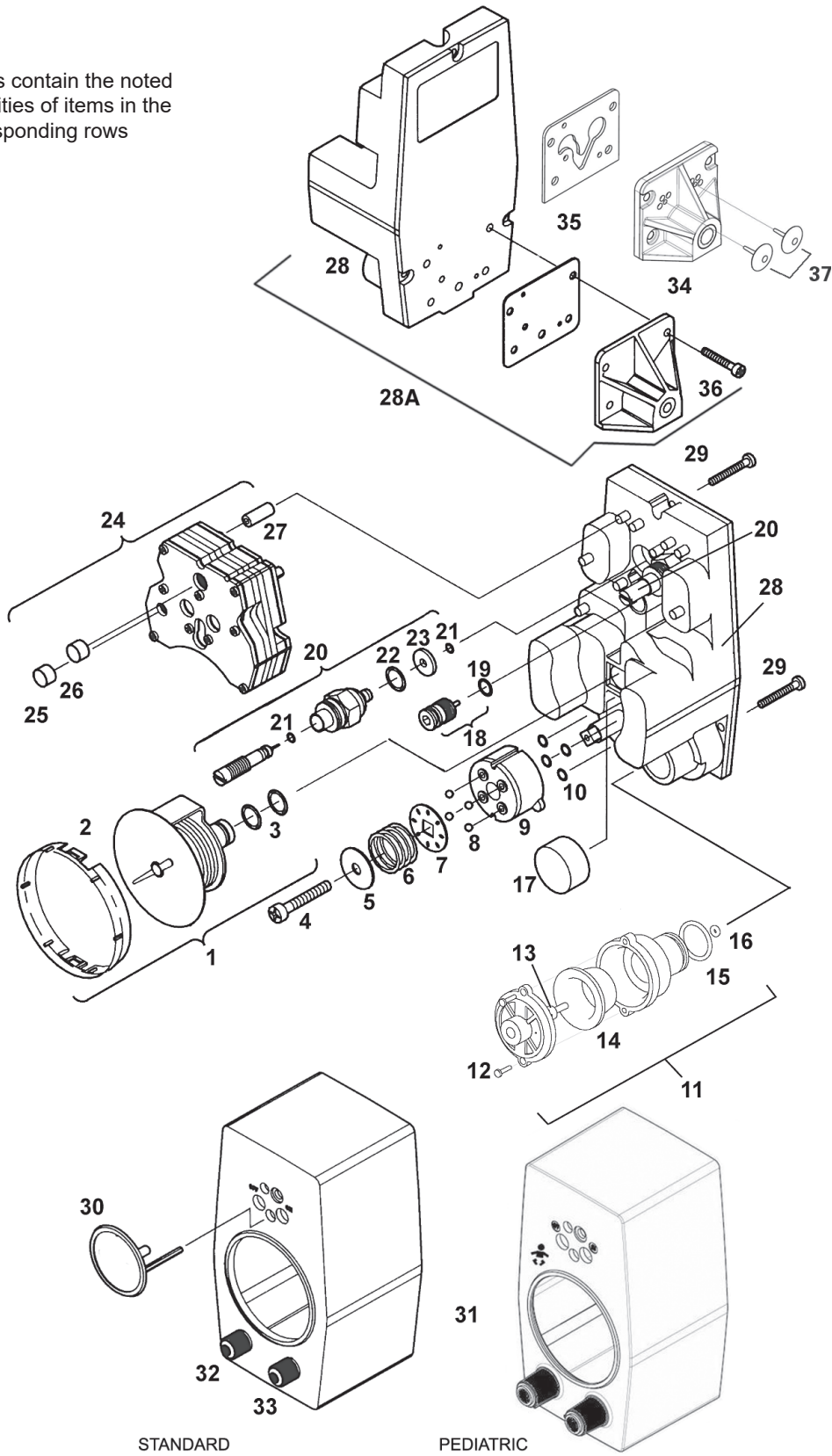


Intermittent Suction Unit (ISU)

Parts				Multi-Paks		Kits*			
Description		Part Number		Part Number	Qty/ Pak	Filter & O-Ring Kit	O-Ring Kit	0221-5884-870 Filter Kit	6700-0030-700 Diaphragm Replacement Kit
1.	Gauge Assembly (Includes O-Rings & Lens)	ANSI Std, 0-200 mmHg	6700-0050-200	0205-8689-870	4				
		ANSI Low, 0-160 mmHg	6700-0050-202	6700-0098-200	4				
		ISO Std, ccw, 0-200 mmHg	6700-0090-200						
		ISO Low, ccw, 0-160 mmHg	6700-0050-205						
2.	Gauge Lens		6700-0087-500						
3.	O-Ring, 2-012 Buna-N		6700-0130-500			2	2		
4.	Screw		6700-0150-400						
5.	Retaining Washer		0402-0748-300						
6.	Spiral Spring Washer		6700-0168-400						
7.	Detent Plate		0214-3213-300						
8.	Ball		0409-1684-300						
9.	Switch Main Valve Body		0221-5891-300						
10.	O-Ring, 2-010 Buna-N		6700-0131-500			4	4		
11.	Regulator Module	Standard Model	6700-1225-800	6700-0026-700	6				
		Pediatric Model Only	6700-0685-850	6700-0686-850	6				
12.	Screw, 4-20, Ph. Hd							2	
13.	Screw, 4-40, Ph. Hd							1	
14.	Diaphragm							1	
15.	O-Ring, 2-016 Buna-N		6700-0136-500			2	2	1	
16.	O-Ring, 2-004 Buna-N		0210-0527-300			1	1	1	
17.	Gauge Filter		0210-6540-300			2		1	
18.	Flow Control Valve		0207-0132-300						
19.	O-Ring, 2-011 Buna-N		6700-0133-500			1	1		
20.	Timing Valve		0207-8295-300	0207-8298-870	6				
21.	O-Ring, 2-006 Buna-N		0210-0593-300			4	4		
22.	O-Ring, 2-014 Buna-N		6700-0135-500			2	2		
23.	Filter		0221-5883-300			2		2	
24.	Unilogic Module		6700-0093-200	6700-0024-700	4				
25.	Filter, Green		0221-5879-300					1	
26.	Filter, Beige		0221-5880-300					1	
27.	Tube		6700-0095-400						
28.	Backplate Assembly	ANSI	6700-0426-850						
		ISO	6700-0427-850						
28A.	Backplate Assembly w/ Mount Plate	ANSI Standard	6700-0002-700	6700-0090-700	4				
		ANSI Low	6700-0680-850	6700-0681-850	4				
		ISO Standard CE	6700-0003-700						
		ISO Low CE	6700-0682-850						
29.	Cover Screw		6700-0152-400						
30.	Nameplate Wrench		6700-0043-400						
31.	Cover & Knob Assy.	Standard Model	6700-0009-700	6700-0091-700	4				
		Pediatric Model Only	6700-0683-850	6700-0684-850	4				
32.	Mode Selector Knob		0221-5897-300	0221-5852-870	6				
33.	Suction Control Knob	Standard Model Only Pediatric Model (order item 31)	0221-5898-300	0221-5853-870	6				
34.	Mounting Plate, Std ISU	Standard Model Only	6700-0053-400						
		Pediatric Model (order item 38)	6700-0252-400						
35.	Gasket	Standard Model	6700-0030-500						
		Pediatric Model (order item 38)	6700-0221-500						
36.	Screw		6700-0151-400						
37.	Positive Pressure, Relief Valves (Pediatric ISU Only)			6700-0687-850	2				
38.	Pediatric Mounting Plate Assembly Only		6700-0689-850						
39.	Service Manual		6700-0199-700						

Intermittent Suction Unit (ISU)

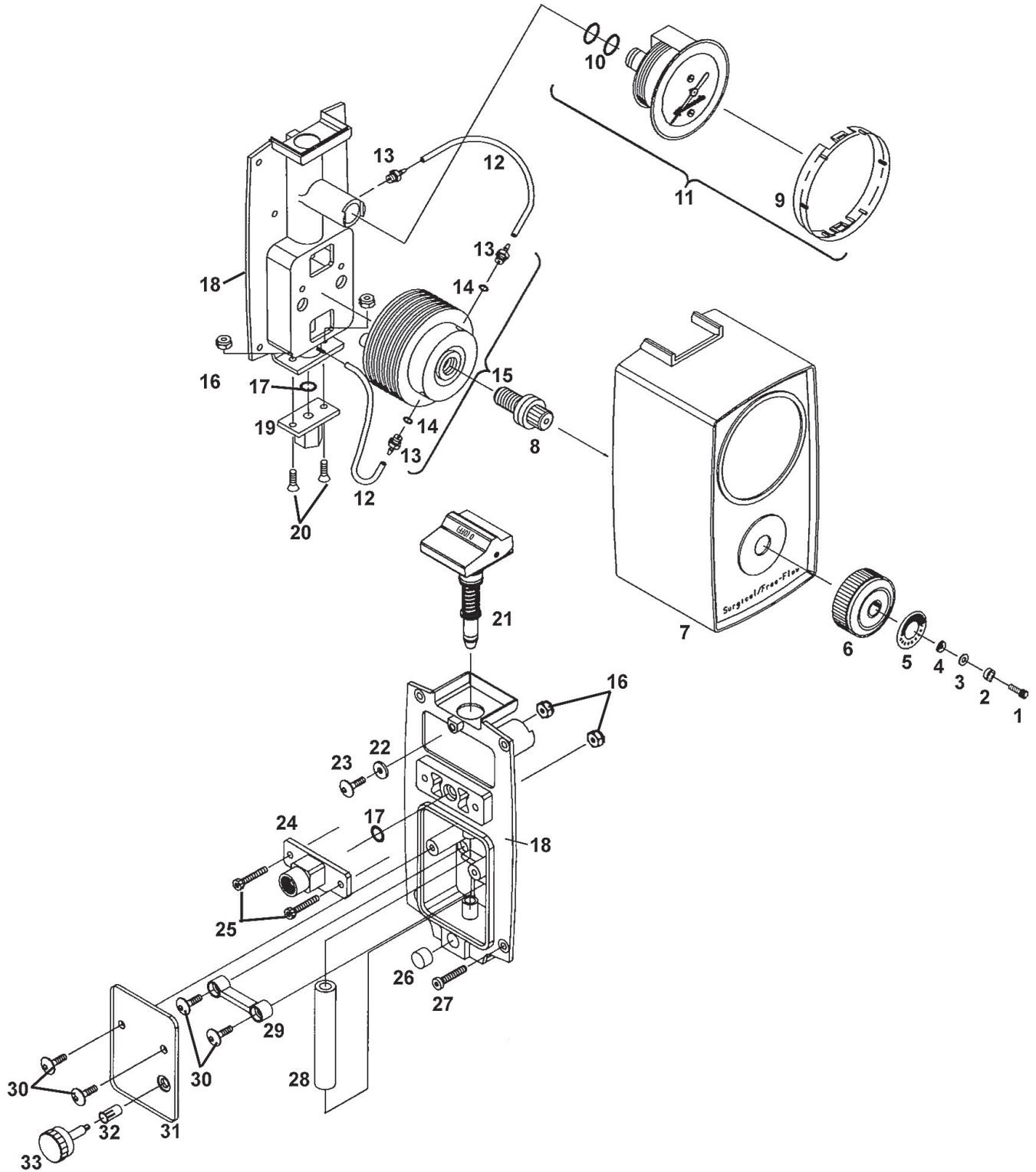
* Kits contain the noted quantities of items in the corresponding rows



Surgical/Free-Flow (SFF)

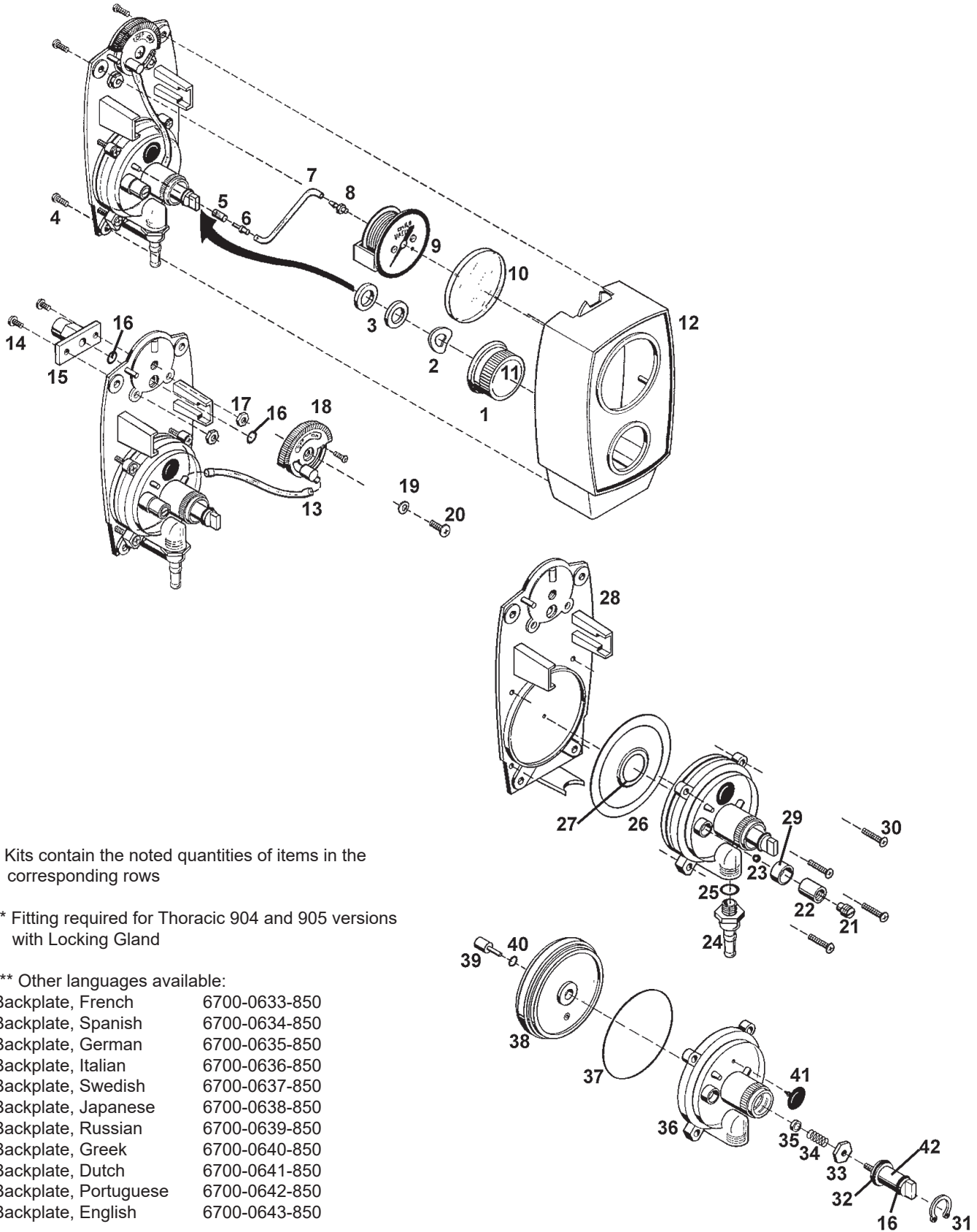
Parts		Multi-Paks		Kits*	
	Description	Part Number	Part Number	Qty/ Pak	6700-0013-200 Switch Repl. Kit
1.	Screw, Socket Head, 4-40 x 1/2	6700-0182-400			
2.	Locking Cam	0212-1705-300			
3.	Washer, Flat .28 OD, .125	6700-0174-400			
4.	Washer, Spring	6700-0148-400			
5.	Increase Label	0206-5154-300			
6.	Control Knob	0206-5187-300			
7.	Regulator Cover	6700-0198-500			
8.	Control Shaft	0206-5188-300			
9.	Snap Fit Lens	6700-0087-500			
10.	O-Ring (2), Gauge	6700-0130-500			
11.	Gauge Asy. (Includes gauge, O-Rings and lens) ANSI Standard ANSI High ISO High	6700-0050-200 6700-0050-201 6700-0050-204		4 4	
12.	Tubing, .125 OD (2)	0206-5186-300			
13.	Adapter (3)	6700-0173-400			
14.	O-Ring (3)	0210-0593-300			
15.	Bellows Asy.	6700-0165-700			
16.	Nut, Elastic Stop, 6-32 (4)	6700-0175-400			
17.	O-Ring, 2-010, Neoprene	6700-0131-500			
18.	Surgical/Free Flow Base (Includes base, adapter and serial # plate ANSI ISO	6700-0161-700 6700-0162-700			
19.	Bottom Connector	0206-5195-300			
20.	Screw, Flathead, 6-32 x 1/2 (2)	6700-0171-400			
21.	Valve Asy, SFF Universal	6700-0067-700	6700-0101-200	4	1
22.	Washer, Flat	6700-0164-400			1
23.	Screw, Buttonhead, 8-32 x 5/16	6700-0165-400			1
24.	Inlet Connector, Universal	0206-5149-300			
25.	Screw, Roundhead, 6-32 x 7/8	6700-0176-400			
26.	Filter	0206-5181-300			
27.	Screw. No 6 Panhead (4)	6700-0152-400			
28.	Valve Tube	0206-5182-300			
29.	Regulator Bar	0206-5183-300			
30.	Screw, Buttonhead, 8-32 x 3/8 (4)	6700-0172-400			
32.	Rear Window	0206-5180-300			
32.	Tubular Speed Clip	0402-2018-300			
33.	Locking Knob	0212-1932-300			
34.	Service Manual	6700-0200-700			

Surgical/Free-Flow (SFF)



Thoracic

Parts			Kits*				
Description	Part Number	6700-0429-850 Tubes & Orifice	6700-0430-850 Gauge Kit (CW)	6700-0431-850 Gauge Kit (CCW)	6700-0432-850 Vacuum Relief Adj	6700-0673-850 Shaft, Nut & Knob	
1. Control Knob	0212-0806-100						
2. Bent Metal Washer	0202-3042-300						
3. Plastic Spacer (2)	0202-0063-300						
4. Cover Mounting Screw (4)	0142-4113-108						
5. Restrictor Mounting Tube		1					
6. Restrictor Orifice		1					
7. Tube		1					
8. Barbed Fitting		1	1	1			
9. Vacuum Gauge	0205-8687-300		1				
10. Lens Cover	6700-0087-500		1	1			
11. Label	International Domestic	6700-0224-100 0205-4366-300					
12. Front Cover	English French Spanish	6700-0155-400 6700-0155-401 6700-0155-402					
13. Vacuum Tube	0211-0072-300						
14. Probe/Adapter Mfg. Screw (2)	0140-6624-108						
15. Probe/Adapter Connector	0206-5149-300						
16. O-Ring	6700-0131-500					1	
17. Nut (2)	6700-0175-400						
18. On/Off Selector Switch	International - I/O Domestic - ON/OFF	6700-0092-701 6700-0092-700					
19. Spring Washer	0202-3030-300						
20. Screw	6700-0208-400						
21. Vacuum Relief Adj. Screw					1		
22. Vacuum Relief Body					1		
23. Ball	6700-0248-400						
24. Patient Port Fitting Patient Port 1/8" NPT	0204-9046-535 6700-0209-700						
25. O-Ring	6700-0130-500						
26. Diaphragm	0210-7300-100						
27. Disc	0214-3212-300						
28. Backplate, ANSI**	6700-0632-850						
29. Rubber Sleeve	0211-0719-500						
30. Screw (4)	0140-6124-112						
31. Snap Ring	0203-5213-300						
32. O-Ring	6700-0132-500					1	
33. Brass Nut						1	
34. Spring	0203-3054-300						
35. Spring Button	0212-0800-100						
36. Spring Case Cover	0221-6365-300						
37. O-Ring	6700-0100-400						
38. Baffle Guide Plate	0212-0804-100						
39. Piston	6700-0099-400						
40. O-Ring	0210-0527-300						
41. Flapper Valve	0211-1451-100						
42. Control Shaft						1	
43. Service Manual	6700-0011-000						



* Kits contain the noted quantities of items in the corresponding rows

** Fitting required for Thoracic 904 and 905 versions with Locking Gland

*** Other languages available:

Backplate, French	6700-0633-850
Backplate, Spanish	6700-0634-850
Backplate, German	6700-0635-850
Backplate, Italian	6700-0636-850
Backplate, Swedish	6700-0637-850
Backplate, Japanese	6700-0638-850
Backplate, Russian	6700-0639-850
Backplate, Greek	6700-0640-850
Backplate, Dutch	6700-0641-850
Backplate, Portuguese	6700-0642-850
Backplate, English	6700-0643-850

Push-To-Set™ Continuous Vacuum Regulator (PTS-CVR)

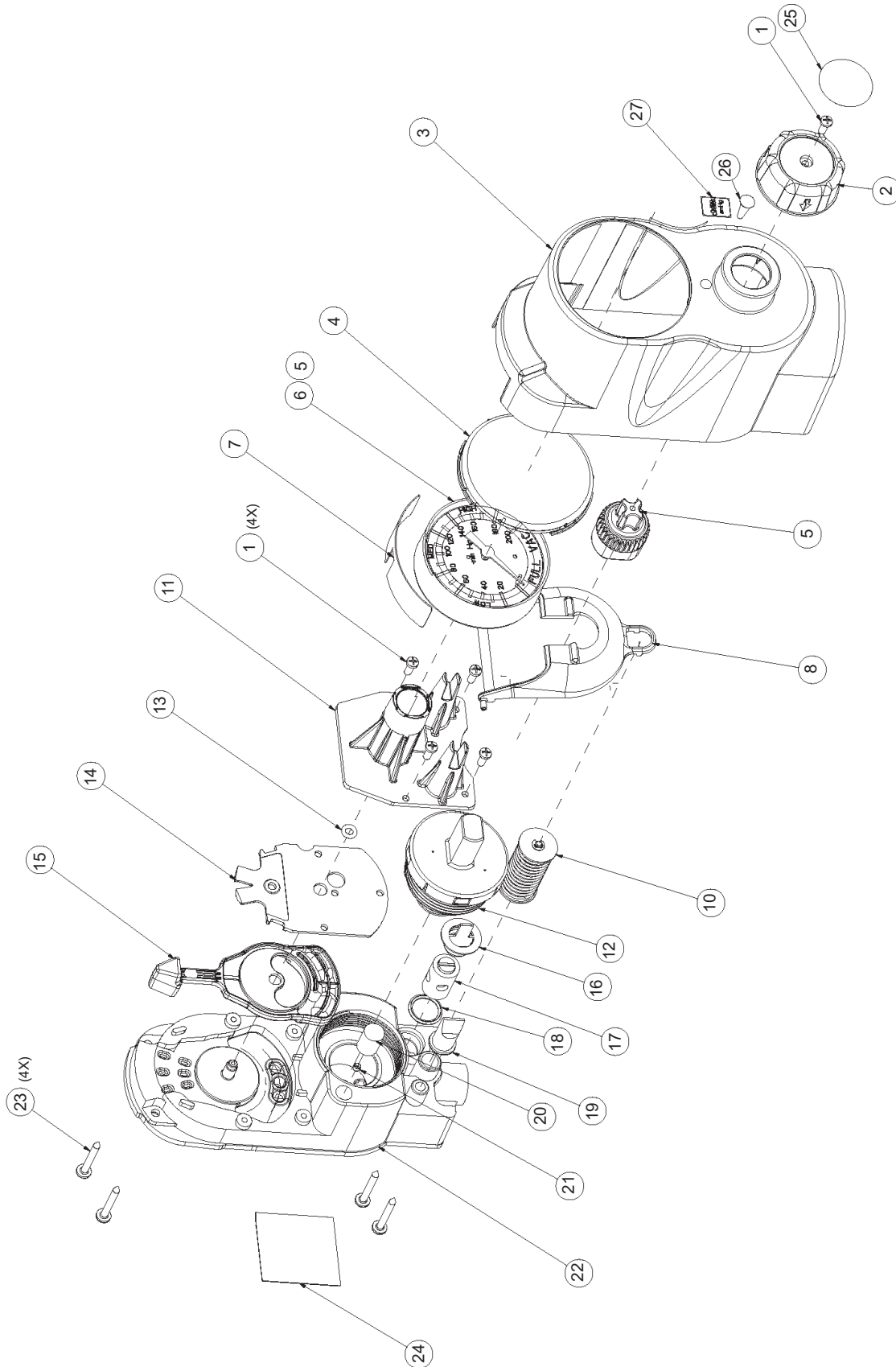
Item	Part Number	Description	Qty	Item	Part Number	Description	Qty
1.	6700-0078-400	Screw, PHH PNH, 4-20 Plastite	5	15.	8700-0130-500	Selector Switch, Overmolded	1
2.	8700-0017-500	Knob	1	16.	See table below	Plug, Pull Tab	1
3.	See Table	Case, Regulator	1	17.	See table below	Vacuum Relief Assembly	1
4.	8700-0041-500	Gauge Lens	1	18.	See table below	O-Ring, 2-014, Nitrile, Buna-N	1
5.	8700-0021-500	Drive Gear, Occlude-To-Set	1	19.	6700-0110-400	Relief Valve, Positive Pressure	1
6.	See table below	Gauge, Vacuum	1	20.	0206-5159-300	Plug, Filter	1
7.	8700-0038-500	Cover Strip, Switch	1	21.	6700-0121-400	Orifice, Continuous Vacuum Regulator	1
8.	8700-0015-500	Actuator, Occlude-To-Set	1	22.	8700-0012-700	Manifold Assembly	1
9.	6700-0175-500	O-Ring, 2-013 Nitrile	1	23.	6700-0151-400	Screw, Self Tap, #6 Pan Head	4
10.	8700-0002-700	OTS Assembly	1	24.	8700-0016-100	Serial Number Label	1
11.	8700-0043-500	Support Bracket, Actuator	1	25.	8700-0005-100	Knob, Label	1
12.	8700-0001-700	Assembly, Reg Mod	1	26.	8700-0056-500	Plug	1
13.	0210-0525-300	O-Ring, 9.32 OD x 5.32 IS x 1/16 W	1	27.	See table below	Label	1
14.	8700-0040-500	Plate, Detent	1		8700-0006-000	PTS-CVR Service Manual	1

Model #	Item 3 Case, Regulator	Item 6 Gauge, Vacuum Analog (ANSI) / Digital	Item 6 Gauge, Vacuum Analog (ISO)
1224/1324	8700-0012-500	8700-0002-400 / VR-DGP-200MM	X
1225/1325	8700-0022-500	8700-0002-400 / VR-DGP-200MM	
1226/1326/1229	8700-0012-500	8700-0022-400 / VR-DGP-760MM	8700-0023-400
1231/1331/1235	8700-0053-500	8700-0024-400 / VR-DGP-160MM	
1234/1334/1232	8700-0053-500	8700-0024-400 / VR-DGP-160MM	8700-0025-400
1330/1430/1230	8700-0022-500	8700-0022-400 / VR-DGP-760MM	

Model #	Item 16 Plug, Pull Tab	Item 17 Vacuum Relief Assembly	Item 18 O-Ring, 2-014, Nitrile, Buna-N	Item 27 Label
1224/1324	8700-0039-500	N/A	N/A	N/A
1225/1325	8700-0039-500	N/A	N/A	N/A
1226/1326	8700-0039-500	N/A	N/A	N/A
1231/1331	N/A	6700-0045-700	6700-0135-500	8700-0036-102
1234/1334	N/A	6700-0045-700	6700-0135-500	N/A
1330/1430	8700-0039-500	N/A	N/A	N/A

Color Case for Digital Regulators Only (Item 3)	2-Mode and C.A.S.S.	3-Mode	Pediatric	Neonatal
Purple	8700-0065-500	8700-0092-500	8700-0108-500	8700-0124-500
Red	8700-0066-500	8700-0093-500	8700-0109-500	8700-0125-500
Blue	8700-0067-500	8700-0094-500	8700-0110-500	8700-0126-500
Yellow	8700-0068-500	8700-0095-500	8700-0111-500	8700-0127-500
Lt. Blue	8700-0069-500	8700-0096-500	8700-0112-500	8700-0128-500
Pink	8700-0070-500	8700-0097-500	8700-0113-500	8700-0129-500

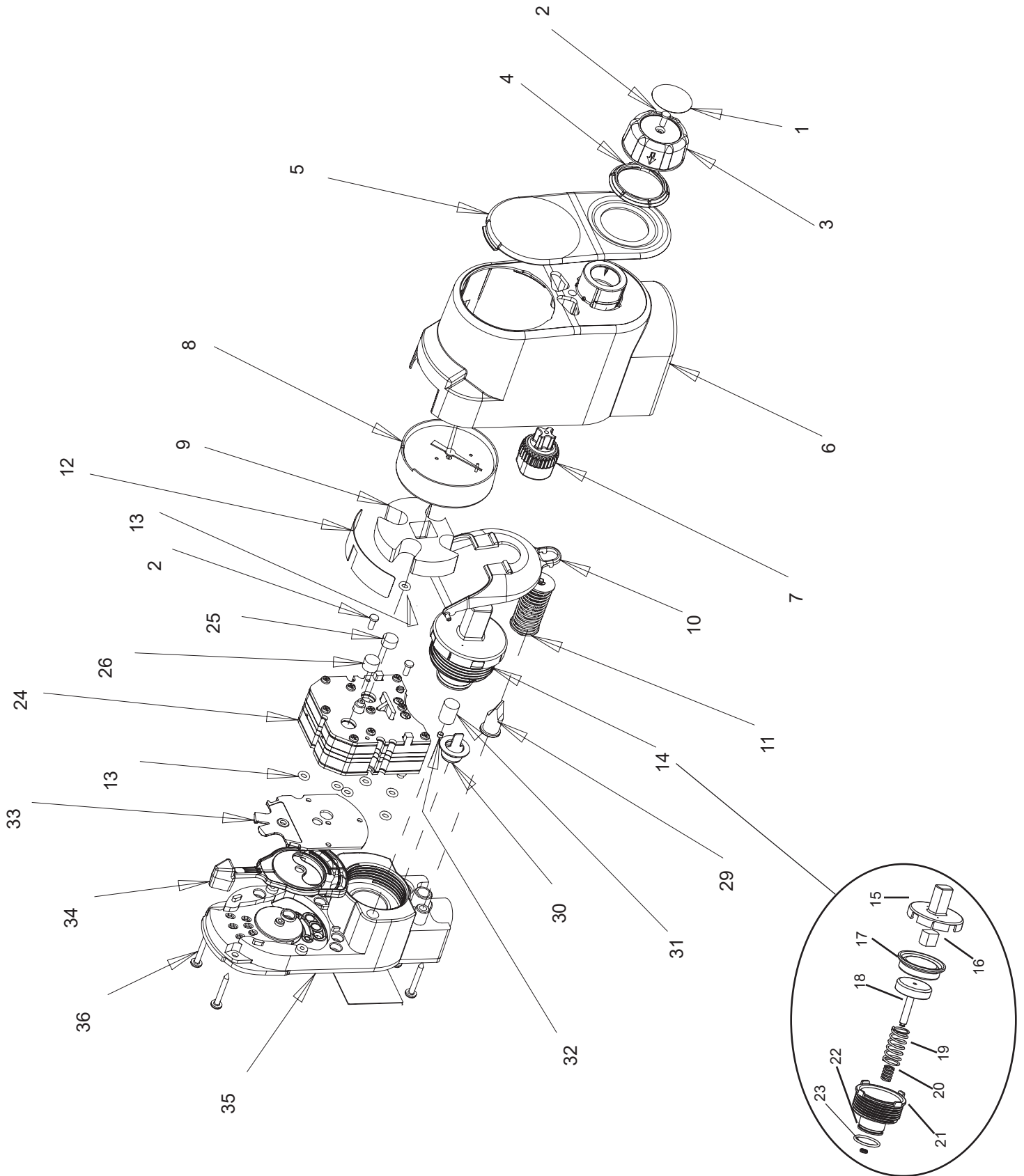
Push-To-Set™ Continuous Vacuum Regulator (PTS-CVR)



Push-To-Set™ Intermittent Suction Unit (PTS-ISU)

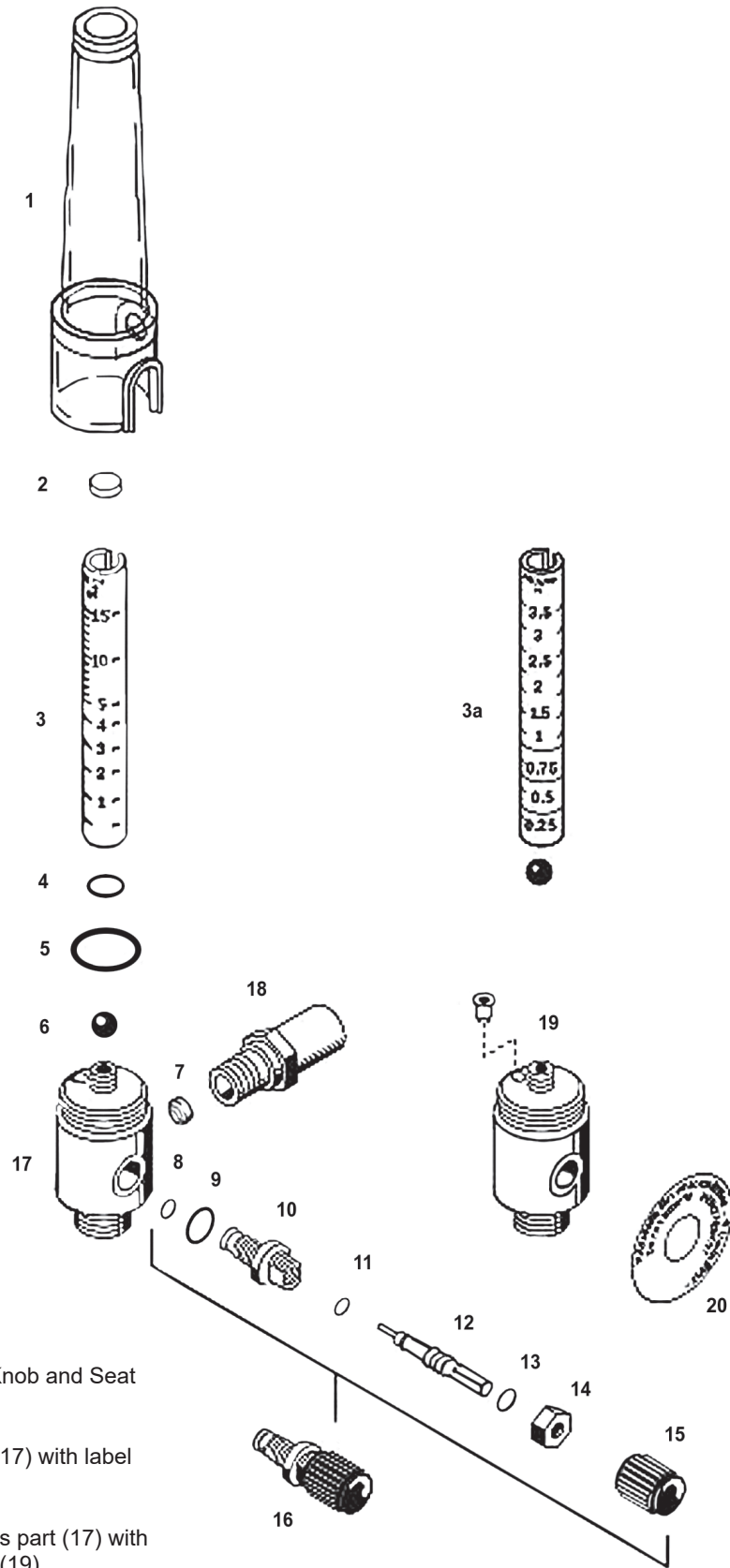
Item	Part Number	Description	Qty
1.	8700-0005-100	Knob Label	1
2.	6700-0078-400	Knob and Timing Module Screw	3
3.	8700-0017-500	Knob	1
4.	8700-0019-500	Faceplate Collar	1
5.	8700-0014-500	Faceplate/Adult	1
	8700-0098-500	Faceplate/Neonatal	1
	8700-0055-500	Faceplate/Pediatric	1
6.	8700-0011-500	Case, Regulator (Analog or Digital, Standard)	1
	8700-0059-500	Case, Regulator (Digital, Purple)	1
	8700-0060-500	Case, Regulator (Digital, Red)	1
	8700-0061-500	Case, Regulator (Digital, Blue)	1
	8700-0062-500	Case, Regulator (Digital, Yellow)	1
	8700-0063-500	Case, Regulator (Digital, Lt. Blue)	1
	8700-0064-500	Case, Regulator (Digital, Pink)	1
7.	8700-0021-500	Drive Gear	1
8.	8700-0002-400	ANSI Gauge Assembly, Analog, 0-200 mmHg	1
	VR-DGP-200MM	Gauge Assembly, Digital	1
	8700-0020-400	ISO Gauge Assembly, Analog, 0-200 mmHg	1
	8700-0025-400	ISO Gauge Assembly, Analog, 0-160 mmHg	1
9.	8700-0047-500	Gauge Mount Foam	1
10.	8700-0015-500	Actuator	1
11.	8700-0002-700	Push-To-Set™ Assembly	1
12.	8700-0038-500	Cover Strip	1
13.	0210-0526-300	O-Ring, 9/32 OD x 5/32 ID x 1/16 W	8
14.	8700-0001-700	Regulator Module Assembly	1
15.	8700-0006-500	Cap	1
16.	8700-0046-500	Cap Plug	1
17.	8700-0008-500	Diaphragm	1
18.	8700-0007-500	Piston with stem	1
19.	8700-0011-400	Spring, .475 ID	1
20.	8700-0012-400	Spring, .246 ID	1
21.	8700-0005-500	Housing	1
22.	8700-0023-500	O-Ring, -018 Nitrile	1
23.	8700-0024-500	Quad-Ring, -006 Nitrile	1
24.	8700-0004-700	Unilogic Module Asy (with valves)	1
25.	0221-5879-300	Filter, Green	1
26.	0221-5880-300	Filter, Beige	1
27.	8700-0006-700	Timing Valve	2
28.	8700-0007-700	Flow Control valve	1
29.	6700-0110-400	Positive Pressure Relief Valve	1
30.	8700-0039-500	Vacuum Relief Plug	1
31.	0206-5159-300	Bleed Hole Filter	1
32.	6700-0121-400	Bleed Hole Orifice	1
33.	8700-0040-500	Detent Plate	1
34.	8700-0130-500	Mode Selector Switch	1
35.	8700-0011-700	Manifold Assembly	1
36.	6700-0151-400	Manifold Screw	4
	8700-0001-000	PTS-ISU Service Manual	1

Push-To-Set™ Intermittent Suction Unit (PTS-ISU)



6700 Series Flowmeters

Parts		Multi-Paks		Kits**			
	Description	Part Number	Part Number	Qty/ Pak	6700-0025-700 Needle Valve Assy Kit	6700-0359-850 O-Ring Replacement Set	6700-0001-700 Flow Control Knob Value and Seat Assy
1.	Shroud Kit– Shroud(1) & Disc Pad(2)	0205-0492-100					
2.	Disc Pad, 1/2" Dia., 1/4" Thick	0210-6508-300			(4 pk)		
3.	Flowtube (0-15 L/min) Air ANSI, 50 PSI ISO/CE 60 PSI/414 kPa German 5 bar/72.5 PSI Oxygen ANSI 50 PSI ISO/CE 60 PSI/414 kPa German 5 bar/72.5 PSI	0212-0174-100 6700-0006-400 6700-0202-500 0212-0172-100 6700-0005-400 6700-0201-500					
3a.	LoFlo Flowtube (3) and ball (6) (Oxygen, 0-3.5 L/min) ANSI, 50 PSI ISO/CE, 60 PSI / 414 kPa German, 5 bar / 72.5 PSI	6700-0404-850 6700-0405-850 6700-0662-850					
4.	O-Ring, .125"ID, .25"OD, .062"W	0210-0593-300					1
5.	O-Ring, 13/16"ID, 15/16"OD, 1/16"W	0210-0525-300					1
6.	Black Glass Ball, 1/2" Dia.	0409-1714-300					
7.	Inlet Screen	6700-0009-300					
8.	O-Ring, 5/32"ID, 9/32"OD, 1/16"W	0210-0526-300			4	1	
9.	O-Ring, .375"ID, .5"OD, .062"W	6700-0130-500			4	1	
10.	Flow Control Valve Seat	**			4	1	
11.	O-Ring, 5/64"ID, 13/64"OD, 1/16"W	0210-0527-300			4	1	
12.	Flow Control Valve (Needle Valve)	**			4		1
13.	Teflon O-Ring, 3/16" ID, 5/16" OD	0210-0536-300			4	1	
14.	Flow Control Valve Cap End	0205-0488-535			4	1	
15.	Flow Control Knob (Black) Flow Control Knob, Intl and GR O ₂ (White)	0212-1958-300 6700-0200-500	6700-0100-200 6700-0663-850	4 4	4		
16.	Needle Valve Assembly (black) Needle Valve Assembly, Intl and GR O ₂ (white)	6700-0027-700 6700-0028-000					1
17.	Manifold Assembly (0-15 L/min)*** Oxygen ANSI, 50 PSI ISO/CE, 414 kPa Canadian, 50 PSI Air ANSI, 50 PSI (Air DISS) ANSI, 50 PSI (O ₂ DISS) ISO/CE, 414 kPa (O ₂ DISS) Canadian, 50 PSI (Air DISS) Canadian, 50 PSI (O ₂ DISS) Manifold Assembly (0-3.5 L/min) – Oxygen**** ANSI, 50 PSI ISO/CE, 414 kPa	6700-0377-850 6700-0383-850 6700-0382-850 6700-0378-850 6700-0379-850 6700-0387-850 6700-0380-850 6700-0381-850 6700-0399-850 6700-0400-850					
18.	Extension Adapter Power Outlet Extension (not shown)	0204-0492-535 0205-0495-535					
19.	Flow Limiting Orifice	Included in Manifold Assy					
20.	Warning Tag (LoFlo) English	6700-0412-100					

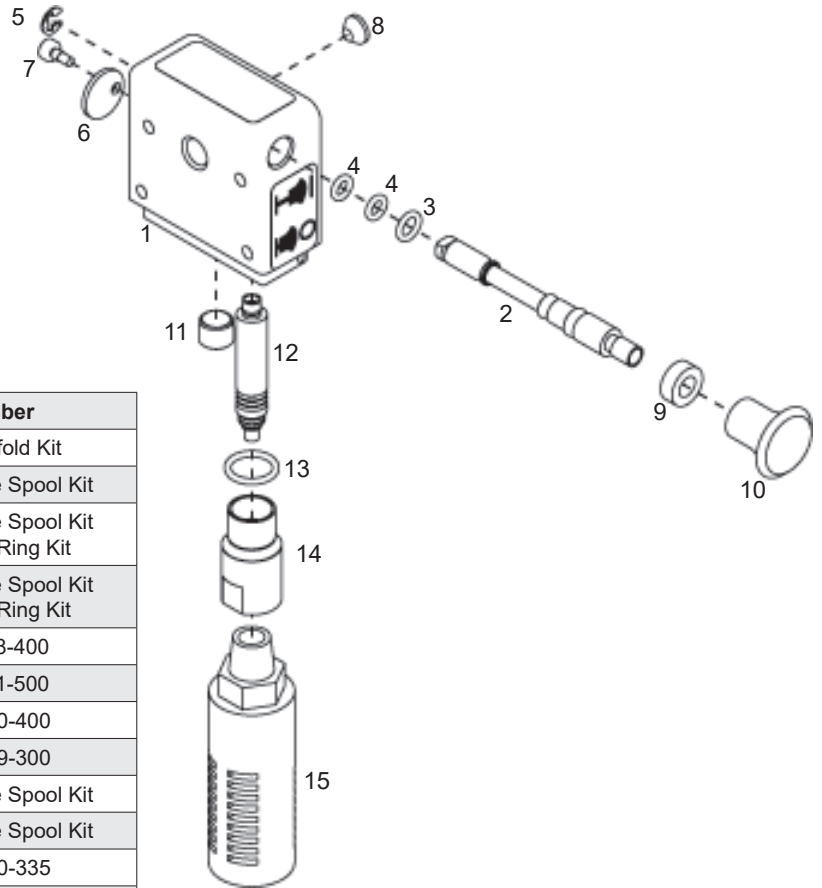
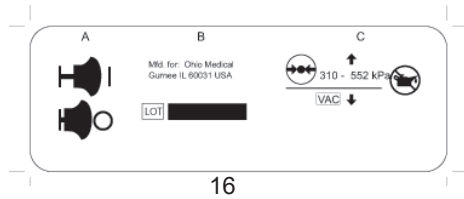


** Sold only as part of Flow Control Knob and Seat Assembly

*** Manifold Assembly includes part (17) with label and parts (4), (5) and (7).

**** LoFlo manifold assembly includes part (17) with label, and parts (4), (5), (7), and (19).

Venturi Backpack



	Description	Part Number
1.	Manifold	See Manifold Kit
2.	Valve Spool	See Valve Spool Kit
3.	Large Valve O-Ring	See Valve Spool Kit and/or O-Ring Kit
4.	Small Valve O-Ring	See Valve Spool Kit and/or O-Ring Kit
5.	Retaining Ring	6600-1168-400
6.	Relief Valve	6700-0311-500
7.	Relief Valve Screw	6700-0220-400
8.	Inlet Filter	6700-0009-300
9.	Spacer	See Valve Spool Kit
10.	Knob	See Valve Spool Kit
11.	Plug	0413-3510-335
12.	Venturi Pump (2 pack)	6700-0664-850
13.	Adapter O-Ring	See O-Ring Kit
14.	Adapter	6700-0308-500
15.	Muffler 4 Pack	6700-0310-500 6700-0668-850
16.	Label Kit	6700-0672-850
Parts not shown		
	CVR 1/8 x 1/8 NPT mounting adapter	6700-0561-800
	Mounting Gasket/Thoracic	6700-0313-500
	Mounting Gasket/ISU	6700-0312-500
	Mounting Screws/Thoracic	6700-0219-400
	Mounting Screws/ISU	6700-0153-400
	Mounting Adapter/PTS ISU or CVR	6700-0561-800

Service Kits	
Valve Spool Kit (Includes spool, large valve o-ring, (2) small valve o-rings, retaining ring, knob, spacer; o-rings, knob & spacer installed)	6700-0665-850
O-Ring Kit (Includes large o-ring (2) small valve o-rings and adapter o-ring)	6700-0666-850
Service Mounting Kit - Thoracic (Includes Thoracic gasket, (2) mounting screws)	6700-0669-850
Service Mounting Kit - ISU (Includes ISU gasket, (4) mounting screws)	6700-0670-850
Manifold Kit (Includes label, manifold and inlet filter)	6700-0667-850

All products may not be available in all regulatory jurisdictions. Information/products in this catalog subject to change without notice.



EMERGO EUROPE
Prinsessegracht 20 2514 AP The Hague The Netherlands

AUSTRALIAN SPONSOR: EMERGO AUSTRALIA
Level 20, Tower II Darling Park 201 Sussex Street Sydney, NSW 2000 Australia

© 2019 Ohio Medical LLC. All Rights Reserved. This document contains information that is proprietary and confidential to Ohio Medical LLC. Use of this information is under license from Ohio Medical LLC. Any use other than that authorized by Ohio Medical LLC is prohibited. Ohio Medical, Ohio Medical LLC and Logo are registered trademarks and Push-to-Set is a trademark of Ohio Medical LLC. ANSI is a registered trademark of American National Standards Institute. ISO is a registered trademark of International Organization for Standardization



SOT132 (Rev. 10.2) 08/19



Ohio Medical LLC
1111 Lakeside Drive
Gurnee, IL 60031 USA
866.549.6446 | ohio-medical.com