

FEATURE HIGHLIGHTS

- 10,000 LM LASER LIGHT SOURCE
- 20,000 HRS LIGHT SOURCE LIFE
- EDGE-BLENDING, CORNER FIT & SURFACE FIT
- DUAL LIQUID COOLING SYSTEM
- HDBaseT



Product Specifications

Projection System	DLP 0.67" WUXGA		
DMD type	DC3 DMD Chip		
Native Resolution	1920 x 1200 pixels		
Brightness	10,000 ANSI Lumens		
Contrast Ratio *	100,000 : 1		
Display Color	1.07 Billion Colors		
Aspect Ratio	Native 16 : 10 (9 aspect ratio selectable)		
Projection Size	50" ~ 500", Standard Lens		
Lenses (Optional) ***		Throw Ratio	Zoom Ratio
	LS1ST4 Ultra Short Throw (5JJCY37.001)	0.377	Fixed
	LS1ST3 Wide Fix (5JJAM37.011)	0.76	Fixed
	LS1ST2 Ultra Wide (5JJAM37.061)	0.75 ~ 0.93	1.25x
	LS1ST1 Wide Zoom (5JJAM37.021)	1.25 ~ 1.79	1.41x
	LS1SD Standard (5JJAM37.001)	1.73 ~ 2.27	1.3x
	LS1LT1 Semi Long (5JJAM37.051)	2.22 ~ 3.67	1.65x
	LS1LT2 Long Zoom 1 (5JJAM37.031)	3.58 ~ 5.38	1.5x
	LS1LT3 Long Zoom 2 (5JJAM37.041)	5.31 ~ 8.26	1.55x
Lens Control	8 Lens (Motorized Zoom and Focus)		
Lens Shift	Vertical: 0% ~ 50% Horizontal: -10%~10%, Standard Lens For further information, please refer to the Lens Information		
Lightsource Type	Laser Diodes		
Lightsource Life (Normal / Eco) **	20,000 / 45,000 Hours		
Keystone Adjustment	Vertical: ± 30 degrees, Horizontal: ± 30 degrees		
Resolution Support	VGA (640 x 480) to WUXGA (1920 x 1200)		
Horizontal Frequency	15K ~ 92kHz		
Vertical Scan Rate	23 ~ 85Hz		
Compatibility	HDTV / UHDTV Compatibility	480i, 480p, 576i, 576p, 720p, 1080i, 1080p	
	Video Compatibility	NTSC, PAL, SECAM	
Security Feature	Security Bar; Power Cord Lock Custom Lightsource Mode (light power adjustment). Dicom Simulation Mode. 2D Keystone. Blank to True Black. Edge-blending. Geometric Correction. 3D Sync. 24/7 Hours Operating. Dust Proof Engine. Dual Liquid Cooling System. Auto High Altitude Mode. 360 Degree & Portrait Projection.		
Dimensions (W x H x D)	500 x 211 x 583 mm		
Weight	28 kg		
Power Supply	100 ~ 240V AC		
Power Consumption	1290W@100V, 1215W@240V (Typical)		
Standby Power Consumption	Normal < 0.5W, Network < 6W.		
Audible Noise (Normal / Eco)	42 / 39 dBA		
Operating Temperature	0 ~ 45°C		
On-Screen Display Languages	English / French / German / Italian / Japanese / Korean / Portuguese / Russian / Simplified Chinese / Spanish / Swedish / Traditional Chinese (12 Languages)		
Accessories	Standard	Optional	
	Power Cord	Anti-Theft Screw	8 Optional Lenses ***
	Remote Control	Lens Hole Cap	
	VGA Cable (1.8m)	Installation Guide	
	Wired Remote Cable	Regulatory Statement	

* The Contrast is measure by Full On Full Off standard.

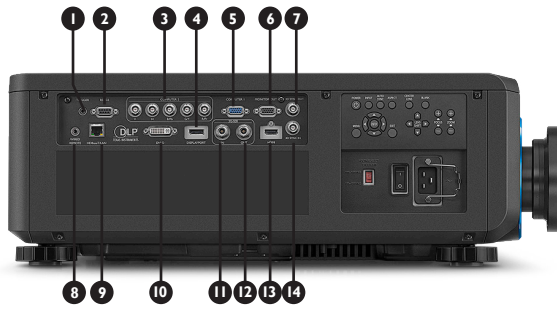
** LightSource life results will vary depending on environmental conditions and usage. Actual product's features and specifications are subject to change without notice.

LU9915

BenQ Laser Projector

BenQ

Input and Output Terminals



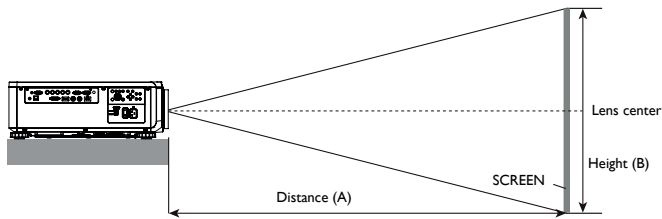
- ❶ 12V TRIGGER
- ❷ RS232 Input (D-sub 9pin, male)
- ❸ Computer 2 (V, H, B / Pb, G / Y, R / Pr)
- ❹ DisplayPort
- ❺ Computer 1 (5BNC, YBPBR)
- ❻ Monitor Output (D-sub 15pin, Female)
- ❼ 3D Sync Output
- ❽ Wired Remote Input
- ❾ HDBaseT / LAN
- ❿ DVI-D Input
- ⓫ 3G-SDI Input
- ⓬ 3G-SDI Output
- ⓭ HDMI
- ⓮ 3D Sync Input

Dimensions



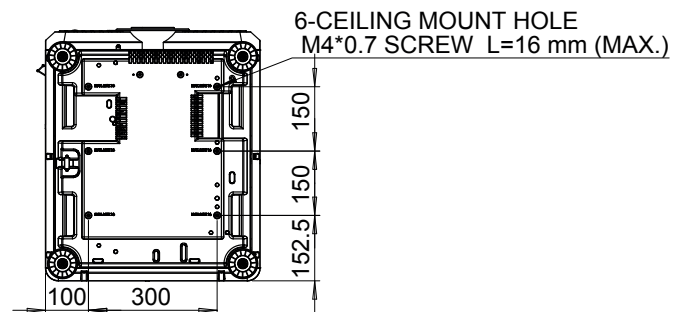
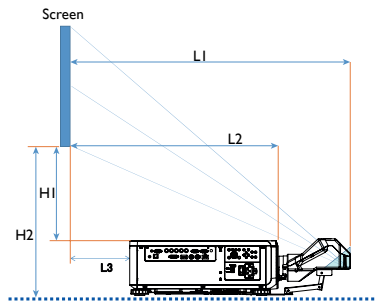
Distance Chart

Screen size			5JJAM37.01 I	5JJAM37.02 I	5JJAM37.00 I	5JJAM37.05 I	5JJAM37.03 I	5JJAM37.04 I	5JJAM37.06 I																						
Diagonal	Width	Height	Wide Fix Lens		Wide Zoom Lens		Standard Lens		Semi Long Zoom I		Long Zoom 1 Lens		Long Zoom 2 Lens		Ultra Wide Zoom Lens																
			Fixed	Tele	Wide	Tele	Diagonal	Width	Height	Fixed	Tele	Height	Fixed	Wide	Tele	Tele															
40	1.02	34	0.86	21	0.54	25.10	0.64	41.40	1.05	59.90	1.52	57.20	1.45	75.80	1.93	73.60	1.87	124.10	3.15	118.70	3.01	181.00	4.60	173.90	4.42	277.70	7.05	24.50	0.62	31.10	0.79
50	1.27	42	1.08	26	0.67	31.80	0.81	52.30	1.33	75.40	1.92	72.10	1.83	95.50	2.42	92.90	2.36	155.90	3.96	149.70	3.80	227.60	5.78	220.20	5.59	350.00	8.89	31.10	0.79	39.20	1.00
60	1.52	51	1.29	32	0.81	38.50	0.98	63.10	1.60	90.90	2.31	87.10	2.21	115.10	2.92	112.10	2.85	187.80	4.77	180.70	4.59	274.10	6.96	266.60	6.77	422.30	10.73	37.60	0.96	47.40	1.20
80	2.03	68	1.72	42	1.08	52.00	1.32	84.90	2.16	121.80	3.09	117.00	2.97	154.30	3.92	150.50	3.82	251.40	6.39	242.70	6.16	367.30	9.33	359.40	9.13	567.00	14.40	50.80	1.29	63.80	1.62
100	2.54	85	2.15	53	1.35	65.50	1.66	106.60	2.71	152.70	3.88	147.00	3.73	193.50	4.92	188.90	4.80	315.00	8.00	304.30	7.73	460.40	11.70	452.10	11.48	711.60	18.07	63.90	1.62	80.20	2.04
120	3.05	102	2.58	64	1.62	78.90	2.01	128.40	3.26	183.60	4.66	176.90	4.49	232.80	5.91	227.60	5.78	378.60	9.62	336.70	9.31	553.60	14.06	544.90	13.84	856.20	21.75	77.10	1.96	96.60	2.45
150	3.81	127	3.23	79	2.02	99.10	2.52	161.00	4.09	230.00	5.84	221.80	5.63	291.60	7.41	285.00	7.24	474.10	12.04	459.40	11.67	693.30	17.61	684.00	17.37	1073.1	27.26	96.80	2.46	121.10	3.08
180	4.57	153	3.88	95	2.42	119.30	3.03	193.60	4.92	276.40	7.02	266.70	6.77	350.50	8.90	342.60	8.70	569.50	14.47	552.40	14.03	833.00	21.16	823.10	20.91	1290.1	32.77	116.50	2.96	145.70	3.70
200	5.08	170	4.31	106	2.69	132.80	3.37	215.30	5.47	307.30	7.81	296.60	7.53	389.70	9.90	381.00	9.68	633.10	16.08	614.70	15.60	926.40	23.53	915.90	23.26	1434.7	36.44	129.70	3.29	162.10	4.12
300	7.62	254	6.46	159	4.04	200.10	5.08	324.00	8.23	461.90	11.73	446.30	11.34	585.90	14.90	573.20	14.56	951.20	24.16	924.00	23.47	1392.1	35.36	1379.6	35.04	2157.8	54.81	195.40	4.96	244.00	6.20
400	10.16	339	8.62	212	5.38	267.40	6.79	432.70	10.99	616.60	15.66	595.90	15.14	782.30	19.87	765.30	19.44	1269.7	32.25	1233.9	31.34	1857.9	47.19	1843.3	46.82	2880.9	73.18	261.20	6.63	325.90	8.28
500	12.70	424	10.77	265	6.73	334.80	8.50	541.50	13.75	771.20	19.59	745.60	18.94	978.30	24.85	957.40	24.32	1587.8	40.33	1543.7	39.21	2323.6	59.02	2307.1	58.60	3604.0	91.54	326.90	8.30	407.70	10.36



Screen size			5JJCY37.00 I												
Diagonal	Width	Height	Ultra Short Reflection												
			H1	H2	L1	L2	L3								
100	2540	85	2166	53	1355	19	485	28	701	33	849	22	564	-1	-24
120	3048	102	2599	64	1627	23	596	32	812	39	1000	28	715	5	127
150	3810	128	3247	80	2032	30	763	39	979	48	1227	37	942	14	354
200	5080	170	4330	107	2711	41	1041	49	1257	63	1606	52	1321	29	733
250	6350	213	5415	133	3391	52	1320	60	1536	78	1984	67	1699	44	1111
300	7620	256	6500	160	4071	63	1598	71	1814	93	2362	82	2077	59	1489
350	8890	299	7585	187	4752	74	1877	82	2093	108	2741	97	2456	74	1868

Ceiling Mount Chart



BenQ Europe B.V.

Meerenakkerweg 1-17
5652 AR Eindhoven
The Netherlands
Tel: +31 88 8889200

BenQ.eu

© 2018 BenQ Corp. Specifications may vary by region, please visit your local stores for details. Actual product's features and specifications are subject to change without notice. This material may include corporate names and trademarks of third parties which are the properties of the third parties respectively.

BenQ