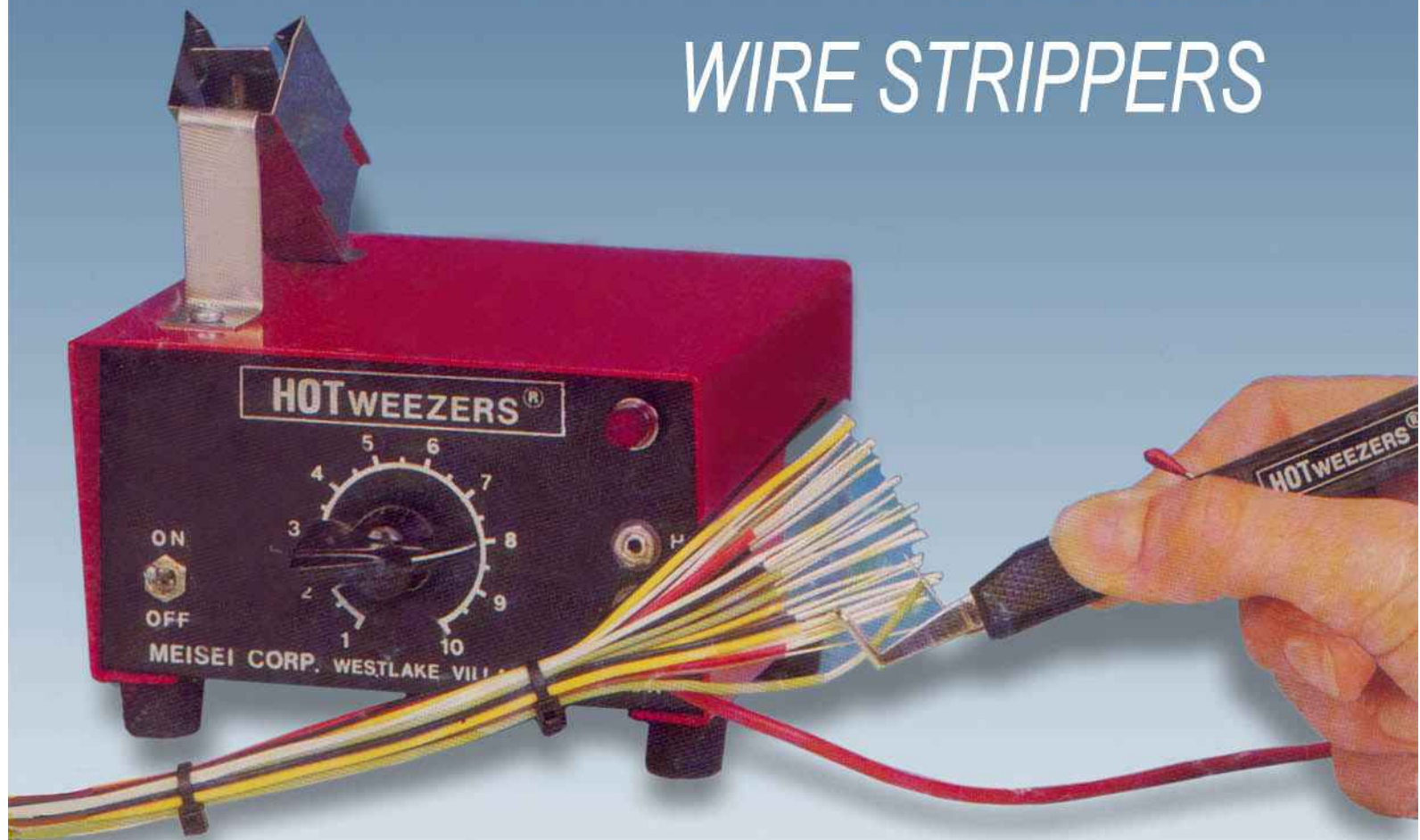


# HOT WEEZERS

A NEW  
CONCEPT IN  
THERMAL  
WIRE STRIPPERS



# HOTWEEZERS® /THERMAL WIRE STRIPPERS

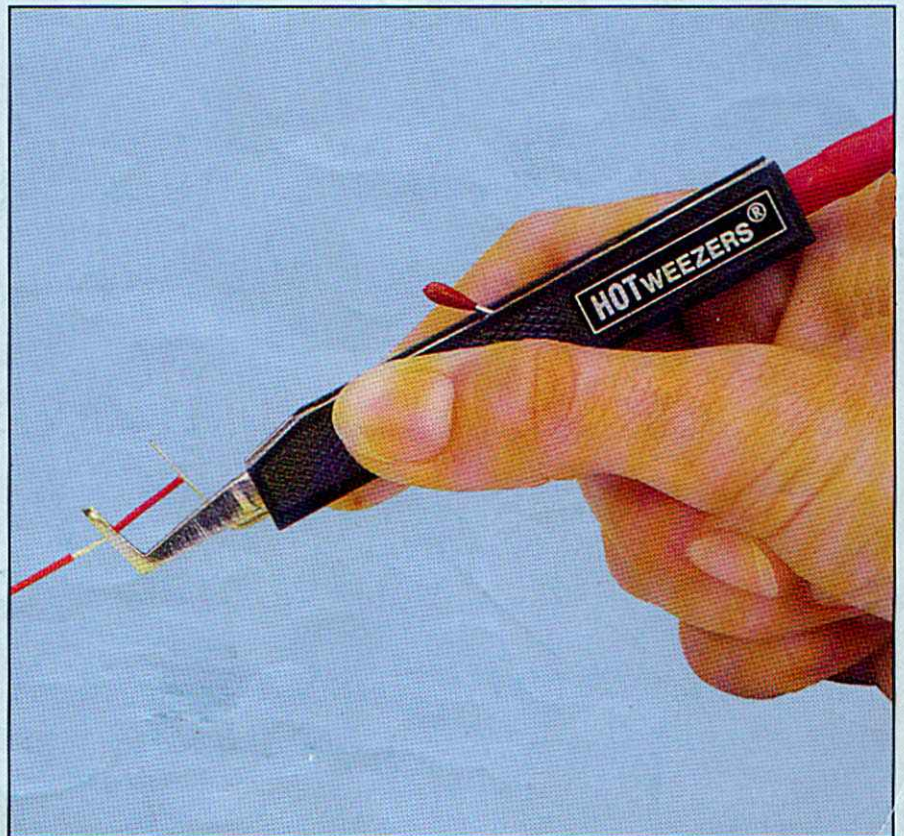
The HOTWEEZERS® from Meisei Corporation represents the state of the art in the design and construction of thermal wire strippers. The hand unit is shaped like a pair of cutoff tweezers and weighs less than 2 ounces (57g) including cable and connector. Because of this, the HOTWEEZERS® fits comfortably in the user's hand, and the stripping operation is smooth and natural. The small size and light weight have proved in production use to be very effective in increasing output and reducing operator fatigue.

The most unique feature of the HOTWEEZERS® is that the heater filaments are completely sealed in the stripping head. The head is fabricated from a high-strength, high-temperature alloy with very good oxidation and wear properties. Hermetic sealing of the filaments in a high-temperature alloy offers several advantages:

1. The filament is resistant to oxidation.
2. The stripping head will not distort nor lose alignment as is the case with ordinary hot wire strippers.
3. Since the filaments are enclosed, a greater portion of the heat generated is retained to do useful work. Consequently the power supply can be much smaller than usual, and the current consumption is drastically reduced. The M-10 power supply consumes a mere 20 watts at the highest temperature setting.
4. Wire holes can be ground into the stripping head without damage to the filaments. With wire holes, the rotation of the stripper required to accomplish a strip is reduced from 180° to 15°, and mashing of conductors, especially the finer gauges, is completely eliminated.
5. Because the filaments are an integral part of the stripper body, no maintenance is required.

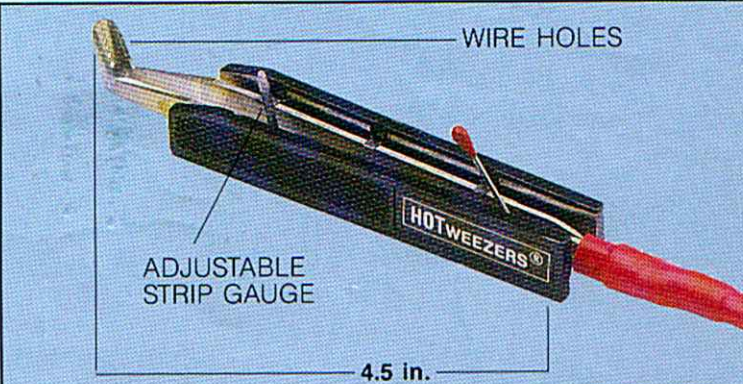
## IMPROVE RESULTS WITH HOTWEEZERS®

With the M-10 Power Supply, the tip temperature can be adjusted from 300°F (149°C) to 1450°F (788°C). Other thermal strippers offer this feature but there's a difference. The mass at the stripping tip of the HOTWEEZERS® is much greater than ordinary hot wire types, and is more resistant to cool down when the stripper contacts the work. Because of this, the tip temperature can be maintained at a level very near the softening point of the insulation material but below its charring or ignition temperature. Virtually any organic insulation can be stripped without burn marks. It is now possible to thermal strip low-temperature materials like PVC, Nylon and Polyethylene without the insulation slugs sticking to the stripper or the conductor. The HOTWEEZERS® will easily handle high-temperature insulations such as Tefzel\*, Teflon\*, and Silicone Rubber without the charring.

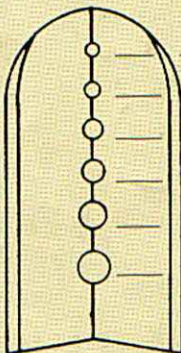


# HOTWEEZERS® /HAND UNITS

Three different models of the HOTWEEZERS® are available to satisfy most stripping requirements. For precise insulation removal Models 4A and 4B have stripping holes to yield a clean, even strip free of insulation "tails" and to prevent mashing of the conductor strands. Model 4C is designed for use on cable jackets and larger diameter conductors. Maximum cable or conductor O.D. that can be stripped is .25 inch (6.35 mm) and maximum insulation wall thickness is .05 inch (1.27 mm). For stripping requirements that exceed these dimensions, Meisei's new HOTNIFE can be used. All models have our new strip length gauge so that repetitive stripping operations can be done accurately. The gauge is easy to adjust without a screwdriver or special tools. The standard power cord for all three models is a flexible, lightweight cable with a high-temperature silicone rubber jacket that resists burns. If you have a requirement that may require a special model, please contact our factory in Westlake Village, California, U.S.A.

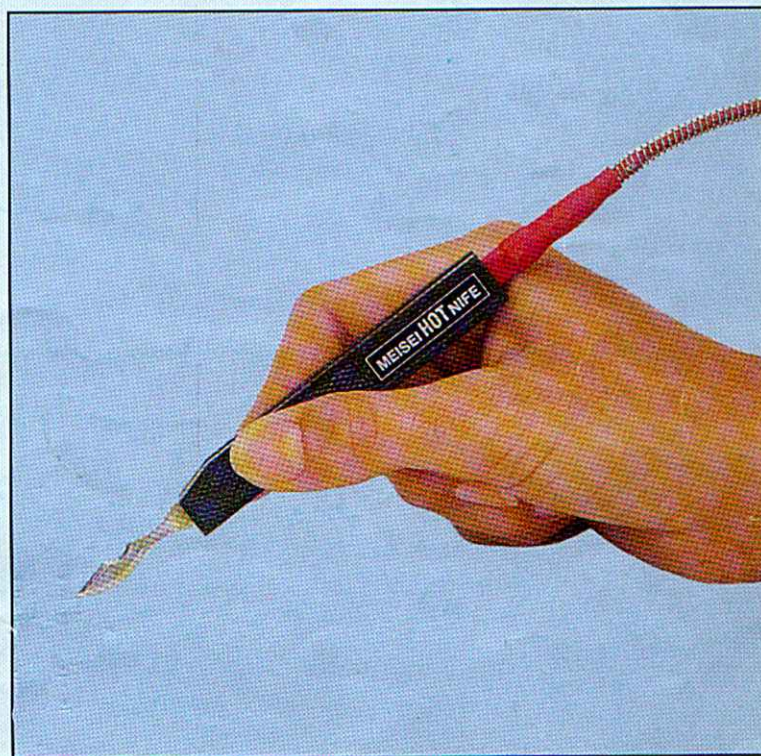


MODEL NO.		NO HOLES (FLAT BLADE)
4A	4B	
AWG (MM)	AWG (MM)	
36 (0.15)	28 (0.38)	
32 (0.24)	26 (0.48)	
30 (0.30)	24 (0.61)	
28 (0.38)	22 (0.76)	
26 (0.48)	20 (0.97)	
24 (0.61)	18 (1.22)	



# MEISEI HOTNIFE/THERMAL KNIFE

Meisei's new Model 2A HOTNIFE is designed for use in applications where the use of a razor blade or knife is hazardous to personnel and components. Heating occurs in the blade, not in a remote capsule, and the blade with its dull edge will not cut when cold. The HOTNIFE is useful in depotting, deflashing and other applications where a heated blade can simplify a manufacturing operation and increase yields. Due to its small size, it is highly maneuverable and can be easily used under a microscope for delicate work. Because of the single blade construction, it can easily strip large diameter conductors and jackets including irregular shaped cross-sections without nicking shield or conductor strands. The HOTNIFE is used with the M-10 power supply and has a usable temperature range from 300°F (149°C) to 1550°F (843°C).



# M-10 POWER SUPPLY

The HOTWEEZERS® and HOTNIFE are used with the compact M-10 Power Supply, which features an on-off switch, "HI" and "LO" jacks, a temperature control, and a unique holder for the hand unit. Placing the HOTWEEZERS® or HOTNIFE in the holder activates a switch that sets the temperature control to an idle mode. When the stripper is removed from the holder, the control is switched back to the original setting. The supply provides an isolated, low-voltage output for operator safety and the power cord comes with a 3-prong plug to satisfy OSHA Requirements.

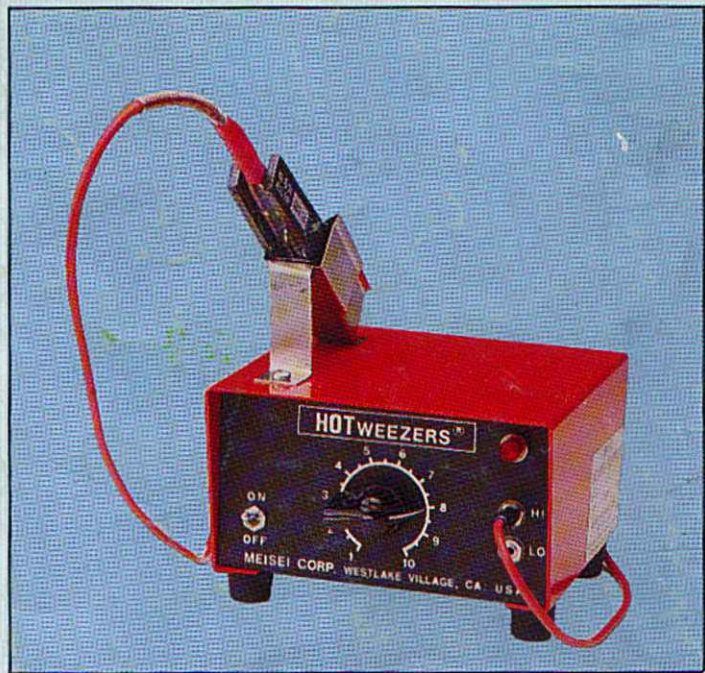
**DIMENSIONS (HWD):** 3" x 4½" x 4½"

**WEIGHT:** 2¼ lbs.

**POWER:** 115 VAC 50/60 Hz

(also available in 100 VAC and 220 VAC)

**POWER CONSUMPTION:** 33 watts max.



**WARRANTY:** The HOTWEEZERS®, HOTNIFE and Power Supply are guaranteed for 90 days against defects in materials and workmanship.

## MEISEI CORPORATION

CAT. NO.		DESCRIPTION
410	MODEL 4A	HOTWEEZERS* complete with M-10 Power Supply
411	MODEL 4B	HOTWEEZERS* complete with M-10 Power Supply
412	MODEL 4C	HOTWEEZERS* complete with M-10 Power Supply
401	MODEL 4A	HOTWEEZERS* Hand Unit Only
402	MODEL 4B	HOTWEEZERS* Hand Unit Only
403	MODEL 4C	HOTWEEZERS* Hand Unit Only
210	MODEL 2A	HOTNIFE complete with M-10 Power Supply
201	MODEL 2A	HOTNIFE Hand Unit Only
900	MODEL M-10	Power Supply Only (115V)
910	MODEL M-10	Power Supply Only (100V)
920	MODEL M-10	Power Supply Only (220V)

### **E S D VERSIONS** (Following models satisfy the E.S.D. requirements of MIL-STD-2000A)

710	MODEL 7A	HOTWEEZERS* complete with M-20 Power Supply
711	MODEL 7B	HOTWEEZERS* complete with M-20 Power Supply
712	MODEL 7C	HOTWEEZERS* complete with M-20 Power Supply
701	MODEL 7A	HOTWEEZERS* Hand Unit Only
702	MODEL 7B	HOTWEEZERS* Hand Unit Only
703	MODEL 7C	HOTWEEZERS* Hand Unit Only
310	MODEL 3A	HOTNIFE complete with M-20 Power Supply
301	MODEL 3A	HOTNIFE Hand Unit Only
500	MODEL M-20	Power Supply Only (115V)
510	MODEL M-20	Power Supply Only (100V)
520	MODEL M-20	Power Supply Only (220V)