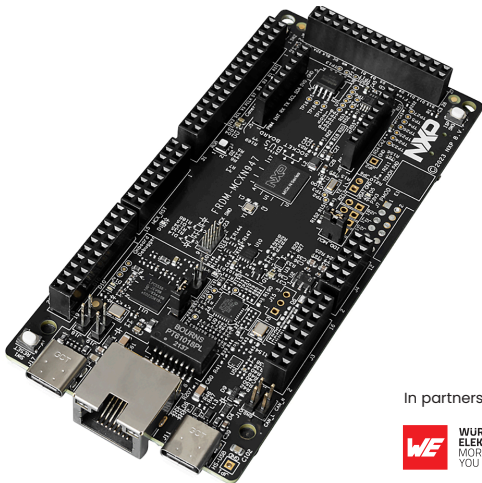




Quick Start Guide
MCUXpresso Developer Experience

FRDM-MCXN947 Development Board



In partnership with:



WÜRTH
ELEKTRONIK
MORE THAN
YOU EXPECT

winbond

Get to know the FRDM-MCXX947 development board

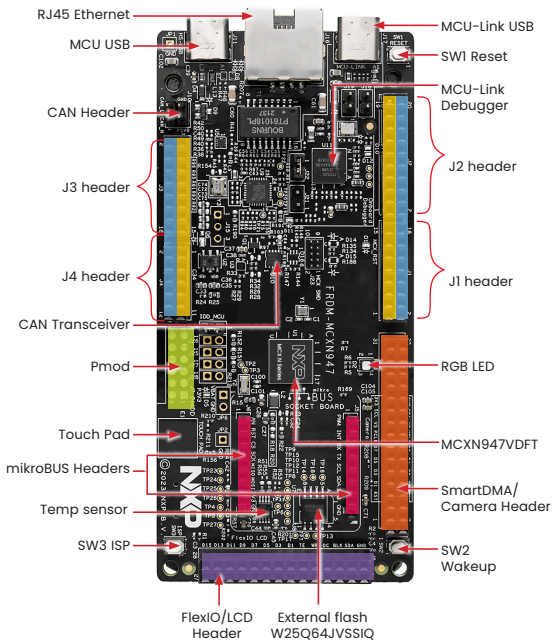
NXP's MCUXpresso Developer Experience provides you with cost-effective MCU development boards.

Easy I/O access supports expansion board use for fast prototyping and rapid evaluation.

Enjoy your FRDM-MCXX947!

- Blue: Arduino® Header
- Yellow: FRDM Header
- Pink: mikroBUS™
- Green: Pmod™
- Purple: FlexIO/LCD Header
- Orange: SmartDMA/Camera Header

See Würth Elektronik Components



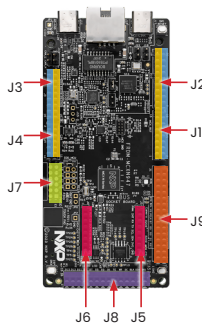
winbond

Quick Start Guide FRDM-MCXN947

ARD	ADC0_A3	2	1	P2_0	MC
ARD	P3V3	4	3	P1_22	MC
ARD	RESET	6	5	P2_3	MC
ARD	P3V3	8	7	P2_2	MC
ARD	P5V0	10	9	P2_5	MC
ARD	GND	12	11	P2_4	MC
ARD	GND	14	13	P2_7	MC
ARD	VIN	16	15	P2_6	MC

ARD_A0	ADC0_A0	2	1	P4_12	OPAMP
ARD_A1	ADC0_B0	4	3	OP0_INN	OPAMP
ARD_A2	P0_14	6	5	P4_16	OPAMP
ARD_A3	P0_22	8	7	OP1_INN	OPAMP
ARD_A4	P0_15	10	9	P4_20	OPAMP
ARD_A5	P0_23	12	11	OP2_INN	OPAMP

CS	P0_19	1	2	P0_20	
SDO	P0_16	3	4	P5_6	
SDI	P0_18	5	6	P3_3	SCL
SCK	P0_17	7	8	P3_2	SDA
	GND	9	10	GND	
	VDD	11	12	VDD	



NC	NC	19	20	P4_1	ARD_D19
TSI	P1_0	17	18	P4_0	ARD_D18
TSI	P1_1	15	16	VDDA	ARD
TSI	P0_19	13	14	GND	ARD
TSI	P1_12	11	12	P0_25	ARD_D13
MC	P0_3	9	10	P0_26	ARD_D12
MC	P5_4	7	8	P0_24	ARD_D11
MC	P5_3	5	6	P0_27	ARD_D10
MC	P5_2	3	4	P0_20	ARD_D9
MC	ADC1_B0	1	2	P0_28	ARD_D8

SAI	P3_21	15	16	P0_31	ARD_D7
SAI	P3_19	13	14	P1_2	ARD_D6
SAI	P3_17	11	12	P1_21	ARD_D5
SAI	P3_18	9	10	P0_30	ARD_D4
SAI	P1_21	7	8	P1_23	ARD_D3
SAI	P3_20	5	6	P0_29	ARD_D2
MC	P4_13	3	4	P4_2	ARD_D1
SAI	P3_16	1	2	P4_3	ARD_D0

GPIO	P5_8	31	32	P1_8	GPIO
GPIO	P5_9	29	30	P1_9	GPIO
GPIO	P1_13	27	28	P1_12	GPIO
GPIO	P2_0	25	26	P4_4	GPIO
GPIO	P1_23	23	24	P1_22	GPIO
Camera	P3V3	21	22	GND	Camera
Camera	P3_3	19	20	P3_2	Camera
Camera	P0_4	17	18	P0_11	Camera
Camera	P0_5	15	16	P2_2	Camera
Camera	P1_11	13	14	P1_10	Camera
Camera	P3_5	11	12	P3_4	Camera
Camera	P1_7	9	10	P1_6	Camera
Camera	P1_5	7	8	P1_4	Camera
Camera	P1_19	5	6	P1_18	Camera
GPIO	P1_17	3	4	P1_16	GPIO
GPIO	P1_15	1	2	P1_14	GPIO

mikroBUS	
J6	J5
ANA_4	1 1 P3_19
P1_3	2 2 P5_7
P3_23	3 3 P1_16
P3_21	4 4 P1_17
P3_22	5 5 P1_1
P3_20	6 6 P1_0
P3V3	7 7 P5V0
GND	8 8 GND

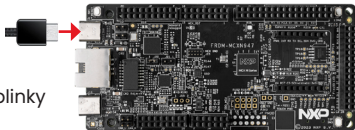
- Arduino® Header
- FRDM Header
- mikroBUS™
- Pmod™
- FlexIO/LCD Header
- SmartDMA/Camera Header

J8 FlexIO													
LCD_D15	LCD_13	LCD_11	LCD_D9	LCD_D7	LCD_D5	LCD_D3	LCD_D1	LCD_TE	LCD_WR	LCD_DC	LCD_BLK	I2C_SDA	LCD
P4_23	P4_21	P4_19	P4_17	P4_15	P4_13	P2_11	P2_9	P0_13	P0_9	P0_7	P4_5	P4_0	GND
28	26	24	22	20	18	16	14	12	10	8	6	4	2
27	25	23	21	19	17	15	13	11	9	7	5	3	1
P4_22	P4_20	P4_18	P4_16	P4_14	P4_12	P2_10	P2_8	P0_8	P0_12	P4_7	P4_6	P4_1	P3V3
LCD_D14	LCD_D12	LCD_D10	LCD_D8	LCD_D6	LCD_D4	LCD_D2	LCD_0	LCD_RD	LCD_CS	LCD_RST	LCD_INT	I2C_SCL	LCD

How to get started

Setup

1. Connect the FRDM-MCXN947 board to a PC using the USB Type-C® cable
2. The board comes preprogrammed with a blinky LED demo
3. Get started at nxp.com/FRDM-MCXN947/start



Software and expansion boards

4. Use different headers to connect sensors, Arduino shields and more
5. Access software and tools through our MCUXpresso Developer Experience nxp.com/MCUXpresso
 - Expansion Board Hub mcuxpresso.nxp.com/eb-hub to find add-on boards from NXP and our partners with related MCUXpresso SDK-compatible drivers and examples
 - Application Code Hub mcuxpresso.nxp.com/appcodehub to browse application code examples from our experts to help kick start your project

Support

Visit www.nxp.com/support

nxp.com/FRDM-MCXN947

NXP, the NXP logo and NXP SECURE CONNECTIONS FOR A SMARTER WORLD are trademarks of NXP B.V. All other product or service names are the property of their respective owners. © 2024 NXP B.V.