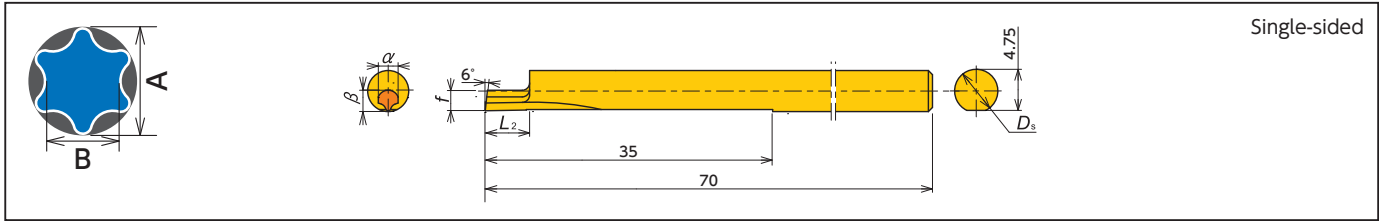


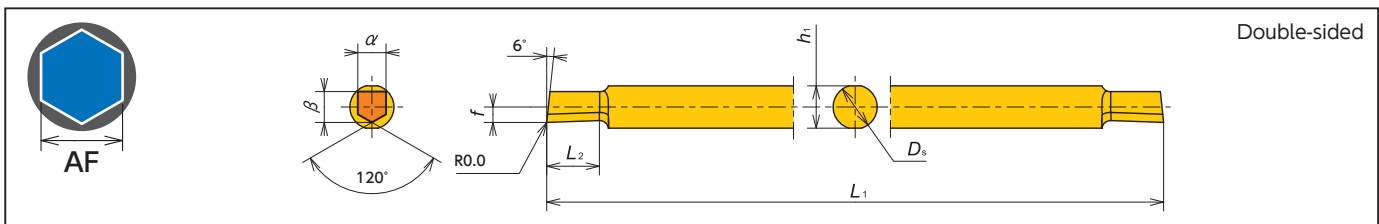
Insert Bar -Hexalobular-



Single-sided

Item Number	Socket Size	Hexalobular Socket			D_s (mm)	L_2 (mm)	α (mm)	β (mm)	f (mm)	Pilot Bore Dia (mm)	Coated Carbide
		#	A (mm)	B (mm)							TM4
SSP050N25T06	T6	6	1.75	1.27	$\phi 5$	2.5	1.08	1.09	2.4	$\phi 1.15$	●
SSP050N31T07	T7	-	-	-	$\phi 5$	3.1	1.27	1.29	2.4	$\phi 1.38$	●
SSP050N36T08	T8	8	2.4	1.75	$\phi 5$	3.6	1.48	1.50	2.4	$\phi 1.62$	●
SSP050N41T10	T10	10	2.8	2.05	$\phi 5$	4.1	1.67	1.70	2.4	$\phi 1.92$	●
SSP050N43T15	T15	15	3.35	2.4	$\phi 5$	4.3	2.04	2.10	2.4	$\phi 2.30$	●
SSP050N46T20	T20	20	3.95	2.85	$\phi 5$	4.6	2.41	2.50	2.4	$\phi 2.71$	●
SSP050N50T25	T25	25	4.5	3.25	$\phi 5$	5.0	2.78	2.90	2.4	$\phi 3.13$	●
SSP050N55T27	T27	-	-	-	$\phi 5$	5.5	3.15	3.30	2.4	$\phi 3.52$	●
SSP050N55T30	T30	30	5.6	4.05	$\phi 5$	5.5	3.52	3.70	2.4	$\phi 3.91$	●

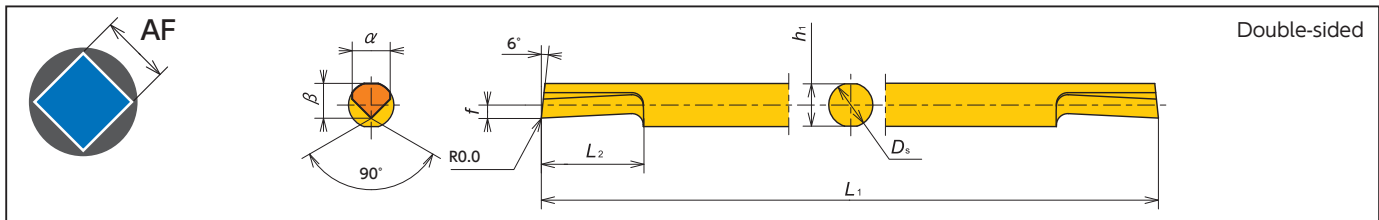
Insert Bar -Hexagon-



Double-sided

Item Number	Base AF (mm)	HEX Standard size range (mm)	AF range		D_s (mm)	L_1 (mm)	L_2 (mm)	h_1 (mm)	α (mm)	β (mm)	f (mm)	Coated Carbide
			(Inch)	(mm)								TM4
SSP020N1130H	HEX 1.5	HEX 1.5 - 2.0	.055 - .078	1.4 - 2.0	$\phi 2$	50	3.0	1.8	1.1	0.8	0.40	●
SSP020N1430H	HEX 2.0	HEX 2.0 - 2.5	.075 - .102	1.9 - 2.6	$\phi 2$	50	3.0	1.8	1.4	1.1	0.55	●
SSP030N1940H	HEX 3.0	HEX 2.5 - 3.5	.095 - .141	2.4 - 3.6	$\phi 3$	50	4.0	2.8	1.9	1.6	0.8	●
SSP040N2450H	HEX 4.0	HEX 3.5 - 4.5	.134 - .181	3.4 - 4.6	$\phi 4$	60	5.0	3.8	2.4	2.6	1.3	●
SSP050N3260H	HEX 5.0	HEX 4.5 - 6.0	.174 - .244	4.4 - 6.2	$\phi 5$	70	6.0	4.8	3.2	3.4	1.70	●
SSP060N42120H	HEX 6.0	HEX 6.0 - 8.0	.233 - .322	5.9 - 8.2	$\phi 6$	80	12.0	5.6	4.2	4.0	2.00	●
SSP080N62160H	HEX 8.0	HEX 8.0 - 12.0	.311 - .480	7.9 - 12.2	$\phi 8$	80	16.0	7.6	6.2	4.7	2.35	●

Insert Bar -Square-



Double-sided

Item Number	Base AF (mm)	AF range		D_s (mm)	L_1 (mm)	L_2 (mm)	h_1 (mm)	α (mm)	β (mm)	f (mm)	Coated Carbide
		(Inch)	(mm)								TM4
SSP020N1740S	2.0	.075 - .090	1.9 - 2.3	$\phi 2.0$	50	4.0	1.8	1.70	1.60	0.70	●
SSP025N1940S	2.5	.087 - .102	2.2 - 2.6	$\phi 2.5$	50	4.0	2.3	1.95	1.80	0.65	●
SSP030N2260S	3.0	.099 - .118	2.5 - 3.0	$\phi 3.0$	50	6.0	2.8	2.20	2.05	0.65	●
SSP035N2760S	3.5	.115 - .145	2.9 - 3.7	$\phi 3.5$	60	6.0	3.3	2.70	2.25	0.60	●
SSP040N3380S	4.0	.142 - .181	3.6 - 4.6	$\phi 4.0$	60	8.0	3.8	3.35	3.05	1.15	●
SSP050N39100S	5.0	.178 - .212	4.5 - 5.4	$\phi 5.0$	70	10.0	4.8	3.90	3.95	1.55	●
SSP060N47120S	6.0	.209 - .259	5.3 - 6.6	$\phi 6.0$	80	12.0	5.6	4.75	4.50	1.70	●
SSP080N58160S	8.0	.256 - .318	6.5 - 8.1	$\phi 8.0$	80	16.0	7.6	5.80	5.50	1.70	●

● : Stock

STICK DUO SPLASH - Stick Duo Hyper with Coolant through -

HY-NBH-OH (Coolant through)

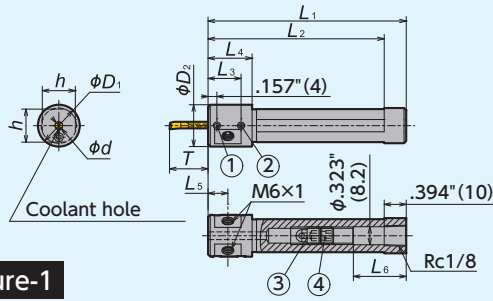


Figure-1

HY-NBH-OH (Coolant through)

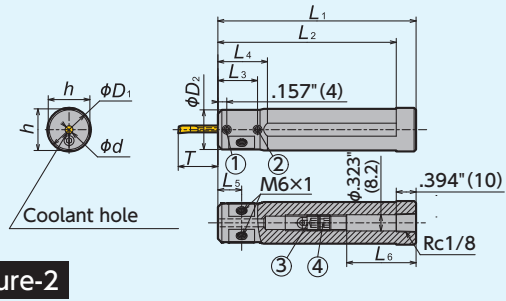


Figure-2

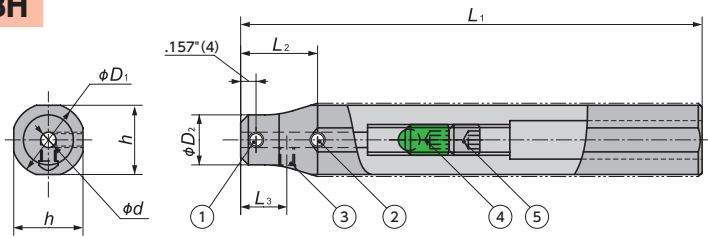
Item Number	Stock	Figure	ϕd (Inch) (mm)	ϕD_1 (Inch) (mm)	ϕD_2 (mm)	h (mm)	L_1 (mm)	L_2 (mm)	L_3 (mm)	L_4 (mm)	L_5 (mm)	L_6 (mm)	Overhang Length of Bar T	
													Min. (Inch) (mm)	Max. (Inch) (mm)
HY-NBH02016G-OH	●	1	.079 2.0	.630 16.0	19	15	90	80	15	19	9.5	29	.197 5.0	.709 18.0
HY-NBH02516G-OH	●	1	.098 2.5	.630 16.0	19	15	90	80	15	19	9.5	30	.248 6.3	.768 19.5
HY-NBH03016G-OH	●	1	.118 3.0	.630 16.0	19	15	90	80	15	19	9.5	31	.295 7.5	.827 21.0
HY-NBH03516G-OH	●	1	.138 3.5	.630 16.0	19	15	90	80	15	19	9.5	23	.346 8.8	.965 24.5
HY-NBH04016G-OH	●	1	.157 4.0	.630 16.0	19	15	90	80	20	24	12	23	.394 10.0	1.102 28.0
HY-NBH05016G-OH	●	1	.197 5.0	.630 16.0	19	15	90	80	20	24	12	16	.492 12.5	1.378 35.0
HY-NBH02019J-OH	●	2	.079 2.0	3/4 19.05	19.05	18	110	100	15	—	9.5	49	.197 5.0	.709 18.0
HY-NBH02519J-OH	●	2	.098 2.5	3/4 19.05	19.05	18	110	100	15	—	9.5	50	.248 6.3	.768 19.5
HY-NBH03019J-OH	●	2	.118 3.0	3/4 19.05	19.05	18	110	100	15	—	9.5	51	.295 7.5	.827 21.0
HY-NBH03519J-OH	●	2	.138 3.5	3/4 19.05	19.05	18	110	100	15	—	9.5	43	.346 8.8	.965 24.5
HY-NBH04019J-OH	●	2	.157 4.0	3/4 19.05	19.05	18	110	100	20	—	12	43	.394 10.0	1.102 28.0
HY-NBH05019J-OH	●	2	.197 5.0	3/4 19.05	19.05	18	110	100	20	—	12	36	.492 12.5	1.378 35.0
HY-NBH06019J-OH	●	2	.236 6.0	3/4 19.05	19.05	18	110	100	20	—	12	28.5	.591 15.0	1.654 42.0
HY-NBH02020J-OH	●	2	.079 2.0	.787 20.0	20	19	110	100	15	—	9.5	49	.197 5.0	.709 18.0
HY-NBH02520J-OH	●	2	.098 2.5	.787 20.0	20	19	110	100	15	—	9.5	50	.248 6.3	.768 19.5
HY-NBH03020J-OH	●	2	.118 3.0	.787 20.0	20	19	110	100	15	—	9.5	51	.295 7.5	.827 21.0
HY-NBH03520J-OH	●	2	.138 3.5	.787 20.0	20	19	110	100	15	—	9.5	43	.346 8.8	.965 24.5
HY-NBH04020J-OH	●	2	.157 4.0	.787 20.0	20	19	110	100	20	—	12	43	.394 10.0	1.102 28.0
HY-NBH05020J-OH	●	2	.197 5.0	.787 20.0	20	19	110	100	20	—	12	36	.492 12.5	1.378 35.0
HY-NBH06020J-OH	●	2	.236 6.0	.787 20.0	20	19	110	100	20	—	12	28.5	.591 15.0	1.654 42.0
HY-NBH02022X-OH	●	2	.079 2.0	.866 22.0	20	21	120	110	15	25	9.5	59	.197 5.0	.709 18.0
HY-NBH02522X-OH	●	2	.098 2.5	.866 22.0	20	21	120	110	15	25	9.5	60	.248 6.3	.768 19.5
HY-NBH03022X-OH	●	2	.118 3.0	.866 22.0	20	21	120	110	15	25	9.5	61	.295 7.5	.827 21.0
HY-NBH03522X-OH	●	2	.138 3.5	.866 22.0	20	21	120	110	15	25	9.5	53	.346 8.8	.965 24.5
HY-NBH04022X-OH	●	2	.157 4.0	.866 22.0	20	21	120	110	20	25	12	53	.394 10.0	1.102 28.0
HY-NBH05022X-OH	●	2	.197 5.0	.866 22.0	20	21	120	110	20	25	12	46	.492 12.5	1.378 35.0
HY-NBH06022X-OH	●	2	.236 6.0	.866 22.0	20	21	120	110	20	25	12	28.5	.591 15.0	1.654 42.0
HY-NBH02025.0K-OH	●	2	.079 2.0	.984 25.0	20	24	125	115	15	25	9.5	64	.197 5.0	.709 18.0
HY-NBH02525.0K-OH	●	2	.098 2.5	.984 25.0	20	24	125	115	15	25	9.5	65	.248 6.3	.768 19.5
HY-NBH03025.0K-OH	●	2	.118 3.0	.984 25.0	20	24	125	115	15	25	9.5	66	.295 7.5	.827 21.0
HY-NBH03525.0K-OH	●	2	.138 3.5	.984 25.0	20	24	125	115	15	25	9.5	58	.346 8.8	.965 24.5
HY-NBH04025.0K-OH	●	2	.157 4.0	.984 25.0	20	24	125	115	20	25	12	58	.394 10.0	1.102 28.0
HY-NBH05025.0K-OH	●	2	.197 5.0	.984 25.0	20	24	125	115	20	25	12	51	.492 12.5	1.378 35.0
HY-NBH06025.0K-OH	●	2	.236 6.0	.984 25.0	20	24	125	115	20	25	12	28.5	.591 15.0	1.654 42.0
HY-NBH02025.4K-OH	●	2	.079 2.0	1.000 25.4	20	24	125	115	15	25	9.5	64	.197 5.0	.709 18.0
HY-NBH02525.4K-OH	●	2	.098 2.5	1.000 25.4	20	24	125	115	15	25	9.5	65	.248 6.3	.768 19.5
HY-NBH03025.4K-OH	●	2	.118 3.0	1.000 25.4	20	24	125	115	15	25	9.5	66	.295 7.5	.827 21.0
HY-NBH03525.4K-OH	●	2	.138 3.5	1.000 25.4	20	24	125	115	15	25	9.5	58	.346 8.8	.965 24.5
HY-NBH04025.4K-OH	●	2	.157 4.0	1.000 25.4	20	24	125	115	20	25	12	58	.394 10.0	1.102 28.0
HY-NBH05025.4K-OH	●	2	.197 5.0	1.000 25.4	20	24	125	115	20	25	12	51	.492 12.5	1.378 35.0
HY-NBH06025.4K-OH	●	2	.236 6.0	1.000 25.4	20	24	125	115	20	25	12	28.5	.591 15.0	1.654 42.0

Parts for STICK DUO SPLASH

Item Number	Clamp Screw		Overhang Adjustment		
	①	②	③	④	⑤
HY-NBH ... -OH	SS04045FS	SS0406F	SS0811R-OH	SS0806F-OH (Through hole)	SS0806F
	M6 Screw		Wrench		
	⑥		for ①②	for ③④⑤	for ⑥
	SS0605SC		LW-2	LW-4×104	LW-3

STICK DUO HYPER

HY-NBH



Spare Parts

Item Number	Overhang Adjustment		Wrench	
	④	⑤	for ①②③	for ④⑤
HY-NBH ... K	SS0812R	SS0808F	LW-2	LW-4×104

Please refer to ϕd to find correct-size inserts (bars)

Item Number	Stock	ϕd		ϕD_1		ϕD_2	h	L_1	L_2	L_3	Clamp Screws		
		(Inch)	(mm)	(Inch)	(mm)						①	②	③
HY-NBH02016H	○	.079	2.0	.630	16.0	11	15	100	15	9.5	SS04045FS	SS0406F	SS0404F
HY-NBH02516H	○	.098	2.5	.630	16.0	11.5	15	100	15	9.5	SS04045FS	SS0406F	SS0404F
HY-NBH03016H	○	.118	3.0	.630	16.0	12	15	100	15	9.5	SS04045FS	SS0406F	SS0404F
HY-NBH03516H	○	.138	3.5	.630	16.0	12.5	15	100	20	12	SS04045FS	SS0404F	SS0404F
HY-NBH04016H	○	.157	4.0	.630	16.0	13	15	100	20	12	SS04045FS	SS0404F	SS0404F
HY-NBH05016H	○	.197	5.0	.630	16.0	14	15	100	20	12	SS04045FS	SS0404F	SS0404F
HY-NBH02019K	●	.079	2.0	3/4	19.05	11	18	125	15	9.5	SS04045FS	SS0406F	SS0404F
HY-NBH02519K	●	.098	2.5	3/4	19.05	11.5	18	125	15	9.5	SS04045FS	SS0406F	SS0404F
HY-NBH03019K	●	.118	3.0	3/4	19.05	12	18	125	15	9.5	SS04045FS	SS0406F	SS0404F
HY-NBH03519K	●	.138	3.5	3/4	19.05	12.5	18	125	20	12	SS04045FS	SS0406F	SS0404F
HY-NBH04019K	●	.157	4.0	3/4	19.05	13	18	125	20	12	SS04045FS	SS0406F	SS0404F
HY-NBH05019K	●	.197	5.0	3/4	19.05	14	18	125	20	12	SS04045FS	SS0406F	SS0404F
HY-NBH02020K	○	.079	2.0	.787	20.0	11	19	125	15	9.5	SS04045FS	SS0406F	SS0404F
HY-NBH02520K	○	.098	2.5	.787	20.0	11.5	19	125	15	9.5	SS04045FS	SS0406F	SS0404F
HY-NBH03020K	○	.118	3.0	.787	20.0	12	19	125	15	9.5	SS04045FS	SS0406F	SS0404F
HY-NBH03520K	○	.138	3.5	.787	20.0	12.5	19	125	20	12	SS04045FS	SS0406F	SS0404F
HY-NBH04020K	○	.157	4.0	.787	20.0	13	19	125	20	12	SS04045FS	SS0406F	SS0404F
HY-NBH05020K	○	.197	5.0	.787	20.0	14	19	125	20	12	SS04045FS	SS0406F	SS0404F
HY-NBH02022K	●	.079	2.0	.866	22.0	11	21	125	15	9.5	SS04045FS	SS0406F	SS0404F
HY-NBH02522K	●	.098	2.5	.866	22.0	11.5	21	125	15	9.5	SS04045FS	SS0406F	SS0404F
HY-NBH03022K	●	.118	3.0	.866	22.0	12	21	125	15	9.5	SS04045FS	SS0406F	SS0404F
HY-NBH03522K	●	.138	3.5	.866	22.0	12.5	21	125	20	12	SS04045FS	SS0406F	SS0404F
HY-NBH04022K	●	.157	4.0	.866	22.0	13	21	125	20	12	SS04045FS	SS0406F	SS0404F
HY-NBH05022K	●	.197	5.0	.866	22.0	14	21	125	20	12	SS04045FS	SS0406F	SS0404F
HY-NBH02025K-MET	○	.079	2.0	.984	25.0	11	24	125	15	9.5	SS04045FS	SS0406F	SS0404F
HY-NBH02525K-MET	○	.098	2.5	.984	25.0	11.5	24	125	15	9.5	SS04045FS	SS0406F	SS0404F
HY-NBH03025K-MET	○	.118	3.0	.984	25.0	12	24	125	15	9.5	SS04045FS	SS0406F	SS0404F
HY-NBH03525K-MET	○	.138	3.5	.984	25.0	12.5	24	125	20	12	SS04045FS	SS0406F	SS0404F
HY-NBH04025K-MET	○	.157	4.0	.984	25.0	13	24	125	20	12	SS04045FS	SS0406F	SS0404F
HY-NBH05025K-MET	○	.197	5.0	.984	25.0	14	24	125	20	12	SS04045FS	SS0406F	SS0404F
HY-NBH02025K	●	.079	2.0	1.000	25.4	11	24	125	15	9.5	SS04045FS	SS0406F	SS0404F
HY-NBH02525K	●	.098	2.5	1.000	25.4	11.5	24	125	15	9.5	SS04045FS	SS0406F	SS0404F
HY-NBH03025K	●	.118	3.0	1.000	25.4	12	24	125	15	9.5	SS04045FS	SS0406F	SS0404F
HY-NBH03525K	●	.138	3.5	1.000	25.4	12.5	24	125	20	12	SS04045FS	SS0406F	SS0404F
HY-NBH04025K	●	.157	4.0	1.000	25.4	13	24	125	20	12	SS04045FS	SS0406F	SS0404F
HY-NBH05025K	●	.197	5.0	1.000	25.4	14	24	125	20	12	SS04045FS	SS0406F	SS0404F

Precaution for Shaper duo with STICK DUO HYPER sleeve

● Set insert in this position



Hexagon



Square

● To avoid insert chipping don't set insert in this position



Hexagon



Square

● : Stock

○ : 1-2 week delivery

● : Coolant through

Insert bars → W4

Cutting condition → W3

STICK DUO - Sleeves for ID machining -

NBH

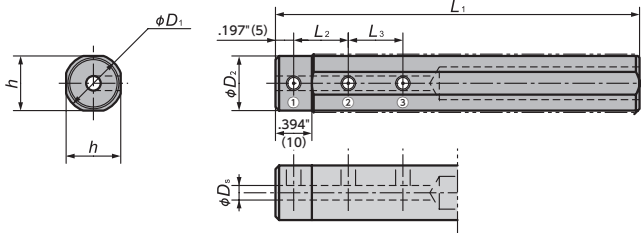


Figure-1

NBH

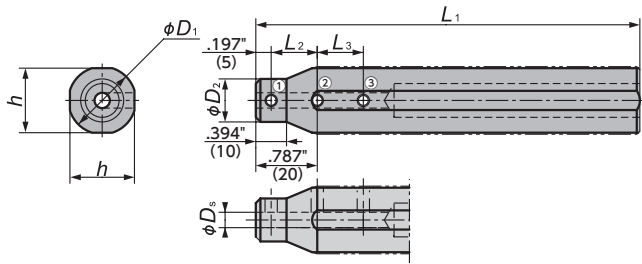


Figure-2

Item number	Figure	Stock	ϕD_s		ϕD_1		ϕD_2	h	L_1	L_2	L_3	Clamp screw			Wrench
			(Inch)	(mm)	(Inch)	(mm)						①	②	③	
NBH02015H	1	○	.079	2.0	5/8	15.875	15	15	100	10	—	SS0406F	SS0406F	—	LW-2
NBH02515H	1	○	.098	2.5	5/8	15.875	15	15	100	10	—	SS0406F	SS0406F	—	LW-2
NBH03015H	1	○	.118	3.0	5/8	15.875	15	15	100	10	10	SS0404F	SS0404F	SS0404F	LW-2
NBH03515H	1	○	.138	3.5	5/8	15.875	15	15	100	10	10	SS0404F	SS0404F	SS0404F	LW-2
NBH04015H	1	○	.157	4.0	5/8	15.875	15	15	100	15	15	SS0404F	SS0404F	SS0404F	LW-2
NBH04515H	1	○	.177	4.5	5/8	15.875	15	15	100	15	15	SS0404F	SS0404F	SS0404F	LW-2
NBH05015H	1	○	.197	5.0	5/8	15.875	15	15	100	15	15	SS0404F	SS0404F	SS0404F	LW-2
NBH06015H	1	○	.236	6.0	5/8	15.875	15	15	100	20	20	SS0404F	SS0404F	SS0404F	LW-2
NBH08015H	1	○	.315	8.0	5/8	15.875	15	15	100	20	20	SS0403F	SS0403F	SS0403F	LW-2
NBH02016H	1	○	.079	2.0	.630	16.0	15	15	100	10	—	SS0406F	SS0406F	—	LW-2
NBH02516H	1	○	.098	2.5	.630	16.0	15	15	100	10	—	SS0406F	SS0406F	—	LW-2
NBH03016H	1	○	.118	3.0	.630	16.0	15	15	100	10	10	SS0404F	SS0404F	SS0404F	LW-2
NBH03516H	1	○	.138	3.5	.630	16.0	15	15	100	10	10	SS0404F	SS0404F	SS0404F	LW-2
NBH04016H	1	○	.157	4.0	.630	16.0	15	15	100	15	15	SS0404F	SS0404F	SS0404F	LW-2
NBH04516H	1	○	.177	4.5	.630	16.0	15	15	100	15	15	SS0404F	SS0404F	SS0404F	LW-2
NBH05016H	1	○	.197	5.0	.630	16.0	15	15	100	15	15	SS0404F	SS0404F	SS0404F	LW-2
NBH06016H	1	●	.236	6.0	.630	16.0	15	15	100	20	20	SS0404F	SS0404F	SS0404F	LW-2
NBH07016H	1	○	.276	7.0	.630	16.0	15	15	100	20	20	SS0403F	SS0404F	SS0404F	LW-2
NBH08016H	1	●	.315	8.0	.630	16.0	15	15	100	20	20	SS0403F	SS0403F	SS0403F	LW-2
NBH02019K	1	○	.079	2.0	3/4	19.05	18	18	125	10	—	SS0408F	SS0408F	—	LW-2
NBH02519K	1	○	.098	2.5	3/4	19.05	18	18	125	10	—	SS0408F	SS0408F	—	LW-2
NBH03019K	1	○	.118	3.0	3/4	19.05	18	18	125	10	10	SS0406F	SS0406F	SS0406F	LW-2
NBH03519K	1	○	.138	3.5	3/4	19.05	18	18	125	10	10	SS0406F	SS0406F	SS0406F	LW-2
NBH04019K	1	○	.157	4.0	3/4	19.05	18	18	125	15	15	SS0406F	SS0406F	SS0406F	LW-2
NBH04519K	1	○	.177	4.5	3/4	19.05	18	18	125	15	15	SS0406F	SS0406F	SS0406F	LW-2
NBH05019K	1	○	.197	5.0	3/4	19.05	18	18	125	15	15	SS0406F	SS0406F	SS0406F	LW-2
NBH06019K	1	●	.236	6.0	3/4	19.05	18	18	125	20	20	SS0406F	SS0406F	SS0406F	LW-2
NBH07019K	1	○	.276	7.0	3/4	19.05	18	18	125	20	20	SS0404F	SS0404F	SS0404F	LW-2
NBH08019K	1	●	.315	8.0	3/4	19.05	18	18	125	20	20	SS0404F	SS0404F	SS0404F	LW-2
NBH10019K	1	○	.394	10.0	3/4	19.05	18	18	125	20	20	SS0403F	SS0404F	SS0404F	LW-2
NBH02020K	2	○	.079	2.0	.787	20.0	11	19	125	10	—	SS0404F	SS0404F	—	LW-2
NBH02520K	2	○	.098	2.5	.787	20.0	11	19	125	10	—	SS0404F	SS0404F	—	LW-2
NBH03020K	2	○	.118	3.0	.787	20.0	12	19	125	10	10	SS0404F	SS0404F	SS0406F	LW-2
NBH03520K	2	○	.138	3.5	.787	20.0	12	19	125	10	10	SS0404F	SS0404F	SS0406F	LW-2
NBH04020K	2	○	.157	4.0	.787	20.0	13	19	125	15	15	SS0404F	SS0406F	SS0406F	LW-2
NBH04520K	2	○	.177	4.5	.787	20.0	13	19	125	15	15	SS0404F	SS0406F	SS0406F	LW-2
NBH05020K	2	○	.197	5.0	.787	20.0	14	19	125	15	15	SS0404F	SS0406F	SS0406F	LW-2
NBH06020K	2	●	.236	6.0	.787	20.0	15	19	125	20	20	SS0404F	SS0406F	SS0406F	LW-2
NBH07020K	2	○	.276	7.0	.787	20.0	16	19	125	20	20	SS0404F	SS0406F	SS0406F	LW-2
NBH08020K	2	●	.315	8.0	.787	20.0	17	19	125	20	20	SS0404F	SS0404F	SS0404F	LW-2
NBH10020K	2	○	.394	10.0	.787	20.0	19	19	125	20	20	SS0404F	SS0404F	SS0404F	LW-2

Item number	Figure	Stock	ϕD_s		ϕD_1		ϕD_2	h_1	L_1	L_2	L_3	Clamp screw			Wrench
			(Inch)	(mm)	(Inch)	(mm)						①	②	③	
NBH02022K	2	○	.079	2.0	.866	22.0	11	21	125	10	—	SS0404F	SS0406F	—	LW-2
NBH02522K	2	○	.098	2.5	.866	22.0	11	21	125	10	—	SS0404F	SS0406F	—	LW-2
NBH03022K	2	○	.118	3.0	.866	22.0	12	21	125	10	10	SS0404F	SS0406F	SS0408F	LW-2
NBH03522K	2	○	.138	3.5	.866	22.0	12	21	125	10	10	SS0404F	SS0406F	SS0406F	LW-2
NBH04022K	2	○	.157	4.0	.866	22.0	13	21	125	15	15	SS0404F	SS0406F	SS0406F	LW-2
NBH04522K	2	○	.177	4.5	.866	22.0	13	21	125	15	15	SS0404F	SS0406F	SS0406F	LW-2
NBH05022K	2	○	.197	5.0	.866	22.0	14	21	125	15	15	SS0404F	SS0406F	SS0406F	LW-2
NBH06022K	2	●	.236	6.0	.866	22.0	15	21	125	20	20	SS0404F	SS0406F	SS0406F	LW-2
NBH07022K	2	○	.276	7.0	.866	22.0	16	21	125	20	20	SS0404F	SS0406F	SS0406F	LW-2
NBH08022K	2	●	.315	8.0	.866	22.0	17	21	125	20	20	SS0404F	SS0406F	SS0406F	LW-2
NBH10022K	2	○	.394	10.0	.866	22.0	19	21	125	20	20	SS0404F	SS0404F	SS0404F	LW-2
NBH12022K	2	○	.472	12.0	.866	22.0	21	21	125	25	25	SS0404F	SS0404F	SS0404F	LW-2
NBH02023K	2	○	.079	2.0	.906	23.0	11	21	125	10	—	SS0404F	SS0406F	—	LW-2
NBH02523K	2	○	.098	2.5	.906	23.0	11	21	125	10	—	SS0404F	SS0406F	—	LW-2
NBH03023K	2	○	.118	3.0	.906	23.0	12	21	125	10	10	SS0404F	SS0406F	SS0408F	LW-2
NBH03523K	2	○	.138	3.5	.906	23.0	12	21	125	10	10	SS0404F	SS0406F	SS0406F	LW-2
NBH04023K	2	○	.157	4.0	.906	23.0	13	21	125	15	15	SS0404F	SS0406F	SS0406F	LW-2
NBH04523K	2	○	.177	4.5	.906	23.0	13	21	125	15	15	SS0404F	SS0406F	SS0406F	LW-2
NBH05023K	2	○	.197	5.0	.906	23.0	14	21	125	15	15	SS0404F	SS0406F	SS0406F	LW-2
NBH06023K	2	○	.236	6.0	.906	23.0	15	21	125	20	20	SS0404F	SS0406F	SS0406F	LW-2
NBH08023K	2	○	.315	8.0	.906	23.0	17	21	125	20	20	SS0404F	SS0406F	SS0406F	LW-2
NBH10023K	2	○	.394	10.0	.906	23.0	19	21	125	20	20	SS0404F	SS0404F	SS0404F	LW-2
NBH12023K	2	○	.472	12.0	.906	23.0	21	21	125	25	25	SS0404F	SS0404F	SS0404F	LW-2
NBH02025K-MET	2	○	.079	2.0	.984	25.0	11	24	125	10	—	SS0404F	SS0406F	—	LW-2
NBH02525K-MET	2	○	.098	2.5	.984	25.0	11	24	125	10	—	SS0404F	SS0406F	—	LW-2
NBH03025K-MET	2	○	.118	3.0	.984	25.0	12	24	125	10	10	SS0404F	SS0406F	SS0408F	LW-2
NBH03525K-MET	2	○	.138	3.5	.984	25.0	12	24	125	10	10	SS0404F	SS0406F	SS0408F	LW-2
NBH04025K-MET	2	○	.157	4.0	.984	25.0	13	24	125	15	15	SS0404F	SS0408F	SS0408F	LW-2
NBH04525K-MET	2	○	.177	4.5	.984	25.0	13	24	125	15	15	SS0404F	SS0408F	SS0408F	LW-2
NBH05025K-MET	2	○	.197	5.0	.984	25.0	14	24	125	15	15	SS0404F	SS0408F	SS0408F	LW-2
NBH06025K-MET	2	●	.236	6.0	.984	25.0	15	24	125	20	20	SS0404F	SS0408F	SS0408F	LW-2
NBH07025K-MET	2	○	.276	7.0	.984	25.0	16	24	125	20	20	SS0404F	SS0408F	SS0408F	LW-2
NBH08025K-MET	2	●	.315	8.0	.984	25.0	17	24	125	20	20	SS0404F	SS0406F	SS0406F	LW-2
NBH10025K-MET	2	○	.394	10.0	.984	25.0	19	24	125	20	20	SS0404F	SS0406F	SS0406F	LW-2
NBH12025K-MET	2	○	.472	12.0	.984	25.0	21	24	125	25	25	SS0404F	SS0404F	SS0404F	LW-2
NBH02025K	2	○	.079	2.0	1.000	25.4	11	24	125	10	—	SS0404F	SS0406F	—	LW-2
NBH02525K	2	○	.098	2.5	1.000	25.4	11	24	125	10	—	SS0404F	SS0406F	—	LW-2
NBH03025K	2	○	.118	3.0	1.000	25.4	12	24	125	10	10	SS0404F	SS0406F	SS0408F	LW-2
NBH03525K	2	○	.138	3.5	1.000	25.4	12	24	125	10	10	SS0404F	SS0406F	SS0408F	LW-2
NBH04025K	2	○	.157	4.0	1.000	25.4	13	24	125	15	15	SS0404F	SS0408F	SS0408F	LW-2
NBH04525K	2	○	.177	4.5	1.000	25.4	13	24	125	15	15	SS0404F	SS0408F	SS0408F	LW-2
NBH05025K	2	○	.197	5.0	1.000	25.4	14	24	125	15	15	SS0404F	SS0408F	SS0408F	LW-2
NBH06025K	2	●	.236	6.0	1.000	25.4	15	24	125	20	20	SS0404F	SS0408F	SS0408F	LW-2
NBH07025K	2	○	.276	7.0	1.000	25.4	16	24	125	20	20	SS0404F	SS0408F	SS0408F	LW-2
NBH08025K	2	●	.315	8.0	1.000	25.4	17	24	125	20	20	SS0404F	SS0406F	SS0406F	LW-2
NBH10025K	2	○	.394	10.0	1.000	25.4	19	24	125	20	20	SS0404F	SS0406F	SS0406F	LW-2
NBH12025K	2	○	.472	12.0	1.000	25.4	21	24	125	25	25	SS0404F	SS0404F	SS0404F	LW-2
NBH04532K	2	○	.177	4.5	1.260	32.0	13	30	125	15	15	SS0404F	SS0408F	SS0408F	LW-2
NBH05032K	2	○	.197	5.0	1.260	32.0	14	30	125	15	15	SS0404F	SS0408F	SS0408F	LW-2
NBH06032K	2	○	.236	6.0	1.260	32.0	15	30	125	20	20	SS0404F	SS0408F	SS0408F	LW-2
NBH07032K	2	○	.276	7.0	1.260	32.0	16	30	125	20	20	SS0404F	SS0408F	SS0408F	LW-2
NBH08032K	2	○	.315	8.0	1.260	32.0	17	30	125	20	20	SS0404F	SS0408F	SS0408F	LW-2
NBH10032K	2	○	.394	10.0	1.260	32.0	19	30	125	20	20	SS0404F	SS0408F	SS0408F	LW-2
NBH12032K	2	○	.472	12.0	1.260	32.0	21	30	125	25	25	SS0404F	SS0406F	SS0406F	LW-2
NBH14032K	2	○	.551	14.0	1.260	32.0	23	30	125	25	25	SS0504	SS0506	SS0506	LW-2.5
NBH16032K	2	○	.630	16.0	1.260	32.0	25	30	125	25	25	SS0504	SS0506	SS0506	LW-2.5

● : Stock ○ : 1-2 week delivery

Insert bars **W4**

Cutting condition **W3**