



Luminant

Rafael Flores
Senior Vice President
& Chief Nuclear Officer
Rafael.Flores@Luminant.com

Luminant Power
P O Box 1002
6322 North FM 56
Glen Rose, TX 76043

T 254 897 5550
C 817 559 0403
F 254 897 6652

CP-201101030
Log # TXX-11091

Ref. # 10CFR50.55a(g)

August 02, 2011

U. S. Nuclear Regulatory Commission
ATTN: Document Control Desk
Washington, DC 20555

SUBJECT: COMANCHE PEAK NUCLEAR POWER PLANT
DOCKET NO. 50-445
TRANSMITTAL OF UNIT 1 INSERVICE INSPECTION PROGRAM PLAN, REVISION 6
(UNIT 1: ASME CODE XI 1998 EDITION, 1999 AND 2000 ADDENDA, INTERVAL
START - AUGUST 13, 2000, SECOND INTERVAL)

Dear Sir or Madam:

Enclosed is one copy of Revision 6 to the Unit 1 Inservice Inspection (ISI) Program Plan for updating your manual. The enclosed Plan Revision 6 replaces Plan Revision 5 in its entirety. This transmittal does not contain a request for relief from ASME Code requirements.

This communication contains no new commitments regarding Comanche Peak Unit 1.

Should you have any questions, please contact Mr. Paul Passalugo at (254) 897-6250.

Sincerely,

Luminant Generation Company LLC

Rafael Flores

By: 

Fred W. Madden

Director, Oversight & Regulatory Affairs

A member of the STARS (Strategic Teaming and Resource Sharing) Alliance

Callaway · Comanche Peak · Diablo Canyon · Palo Verde · San Onofre · South Texas Project · Wolf Creek

A047
MRR

Enclosure – Revision 6 to Unit 1 ISI Plan, Second Interval

c - E. E. Collins, Region IV
B. K. Singal, NRR
Resident Inspectors, Comanche Peak
Luis Ponce, TDLR
Jack Ballard, ANII, Comanche Peak

ENCLOSURE TO TXX-11091
Revision 6 to Unit 1 ISI Plan, Second Interval


LUMINANT POWER
COMANCHE PEAK NUCLEAR POWER PLANT (CPNPP)
6322 NORTH FM 56
GLEN ROSE, TEXAS 76043


UNIT 1 - SECOND INTERVAL
ASME SECTION XI
INSERVICE INSPECTION PROGRAM PLAN
REVISION 6 - EFFECTIVE DATE

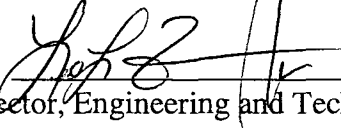
COMMERCIAL OPERATION: AUGUST 13, 1990

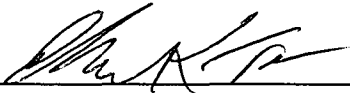
SECOND INTERVAL START DATE: AUGUST 13, 2000

Prepared By:  7/21/11
ISI Engineer PAUL N. PASSALUNCO

Reviewed By:  7/22/11
Technical Reviewer JUSTIN HOWARD

Reviewed By:  28 JULY 2011
ANII BRIAN WELCH, HSDET ANII

Approved By:  7/28/11
Shaw Site Director, Engineering and Technical Services FOR D.R. MOORE

Approved By:  7/28/11
Luminant BOP Manager CHUCK K. TRAN

**COMANCHE PEAK NUCLEAR POWER PLANT
UNIT NO. 1 – SECOND INTERVAL
ASME SECTION XI
INSERVICE INSPECTION PROGRAM PLAN**

TABLE OF CONTENTS

1.0	Introduction
1.1	General Plant Descriptions
1.2	Purpose
1.3	Responsibility
1.4	Scope
1.5	Acronyms
1.6	Exemptions
1.7	Weld Reference System
1.8	Relief Requests
1.9	Records Retention
1.10	Authorized Inspection Agency
2.0	Examination Boundaries
2.1	ASME Code Boundaries
2.2	ISI Isometric Drawings
2.3	ISI Examination Boundary Drawings
3.0	Non-Destructive Examination Methods
3.1	Visual Examination
3.2	Surface Examination
3.3	Volumetric Examination
4.0	Examination Tables
4.1	Class 1 NDE
4.2	Class 2 NDE
4.3	Component Supports
4.4	Eddy Current
5.0	Pressure Test Plan
5.1	Purpose
5.2	Test Description
5.3	Pressure Test Requirements
6.0	Program Changes
	4.0, 4.1, 4.2, 4.3 plus examination item sheets (210)
Appendix A	Relief Requests
Appendix B	VT-2 System Pressure test Listing
Appendix C	Applicable Code Cases
Appendix D	Ultrasonic Calibration Blocks
Appendix E	List of ISI Sketches
Appendix F	Record of Revision

**COMANCHE PEAK NUCLEAR POWER PLANT
UNIT NO. 1 – SECOND INTERVAL
ASME SECTION XI
INSERVICE INSPECTION PROGRAM PLAN**

1.0 INTRODUCTION

Note: The data contained within this Program Plan is merely a snapshot of the information that is controlled through the ISIC database. All printed versions of the Plan and data are current as of the time they are printed, but are considered uncontrolled copies.

1.1 GENERAL PLANT DESCRIPTION

The Comanche Peak Nuclear Power Plant (CPNPP) is a two unit plant containing pressurized water reactors, each with an electrical output of approximately 1150 MWe. CPNPP was constructed to the ASME Boiler and Pressure Vessel Code, Section III, 1974 Edition, including Summer 1974 Addenda for piping and Winter 1974 Addenda for component supports.

1.2 PURPOSE

The purpose of this plan is to provide details pertaining to performance of the Inservice Inspection (ISI) at CPNPP, Unit 1 (including common and Unit 2 systems required to support Unit 1 operations). This plan demonstrates compliance with the Code of Federal Regulations, 10CFR50.55a, and CPNPP Technical Specifications (TS) 5.5.9. This plan meets the requirements of the 1998 Edition of the ASME Boiler and Pressure Vessel Code, including 1999 and 2000 Addenda of Section XI Division 1 (hereafter referred to as the Code), and Code Cases as identified in Appendix C of this Plan.

1.3 RESPONSIBILITY

Luminant Power (Owner)/Designated Agent is responsible for preparation and maintenance of this ten-year ISI Program Plan, including any required reference drawings and boundary drawings. The Owner/Designated Agent prepares each Outage Plan, which defines the scope of examinations, determines the extent of any examinations, and defines the method of each exam. After each outage, this Plan is normally revised by the Owner/Designated Agent to reflect the completed examinations, with a summary report prepared and submitted to the Regulatory and Enforcement Authorities. The Owner/Designated Agent is responsible for any associated craft labor required for the examinations, including access provisions, insulation removal; weld preparation, and other aspects. The Owner/Designated Agent is responsible for the evaluation of the ISI examination records, including evaluations of indications and any associated corrective actions.

A contractor working under the guidance of the Owner/Designated Agent, in most cases, performs the examinations. The contractor submits procedures and personnel certifications for performance of the examinations to the Owner/Designated Agent for review and approval. A contractor ISI Program

**COMANCHE PEAK NUCLEAR POWER PLANT
UNIT NO. 1 – SECOND INTERVAL
ASME SECTION XI
INSERVICE INSPECTION PROGRAM PLAN**

Manager and a suitable number of examination teams, supplied with the required NDE equipment, are provided to complete the scheduled examinations for the outage. The contractor conducts the examinations, reviews the data, and makes suitable recommendations to the Owner/Designated Agent.

1.4 SCOPE

ISI, as used in this Plan, is the program of planned examinations of welds, components and their supports, which is implemented during the service life of a commercial nuclear power plant. This plan addresses those examinations to be performed on ASME Class 1, 2 and 3 systems, and components as stipulated in the Code. ISI examinations will be performed in accordance with the schedule of Inspection Program B of the Code.

A risk-informed inspection (RI-ISI) program for selected, ASME Code Class 1 and 2 piping welds (category welds B-F, B-J, C-F-1, and C-F-2) has been developed, submitted, and accepted by the NRC as an acceptable alternative to the requirements of the Code for Inservice Inspections. This relief is authorized for the second 10-year interval for Unit 1 and is reflected in the Plan in Appendix A. The RI-ISI program is a living program, with periodic evaluations/updates provided, following document NEI-04-05, and are reflected in revisions to the Plan. (Reference VL 06-000762, VL 06-000763, VDRT-375828, VDRT-375845, VDRT-4195786 and VDRT-4195791.)

The examination of containments as stipulated in Subsections IWE and IWL of the Code are not within the scope of this plan.

1.5 ACRONYMS

AFW	Auxiliary Feed Water
ANSI	American National Standards Institute
ASME	American Society of Mechanical Engineers
BRP	Brown and Root Piping Drawing (Isometric)
BRHL	Brown and Root Hanger Location Drawing
CADD	Computer Aided Design Drawings
CPNPP	Comanche Peak Nuclear Power Plant
EVT	Enhanced Visual Examination
GHH	Gibbs and Hill Hanger Location Drawing
ISI	Inservice Inspection
NDE	Non-destructive Examination
NRC	Nuclear Regulatory Commission
PDI	Performance Demonstrative Initiative
PSI	Pre-Service Inspection
PTLR	Pressure Temperature Limit Report
RI-ISI	Risk Informed ISI
RR	Relief Request

**COMANCHE PEAK NUCLEAR POWER PLANT
UNIT NO. 1 – SECOND INTERVAL
ASME SECTION XI
INSERVICE INSPECTION PROGRAM PLAN**

SGR	Steam Generator Replacement
SWOL	Structural Weld Overlay
UFSAR	Updated Final Safety Analysis Report
VDRT	Vendor Document Review Traveler
VL	Vendor Status Letter

1.6 EXEMPTIONS

1.6.1 Code Class 1

The following Code Class 1 components (or parts of components) are exempted from the volumetric and surface examination requirements of IWB-2500 of the Code by IWB-1220;

- (a) components that are connected to the reactor coolant system and part of the reactor coolant pressure boundary, and that are of such a size and shape so that upon postulated rupture the resulting flow of coolant from the reactor coolant system under normal plant operating conditions is within the capacity of makeup systems which are operable from on-site emergency power. The emergency core cooling systems are excluded from the calculation of makeup capacity.
- (b) (1) Piping of NPS 1 and smaller and their supports, except for steam generator tubing.

(2) Components, their supports and their connections in piping of NPS 1 and smaller.
- (c) Reactor vessel head connections and associated piping, and their supports, NPS 2 and smaller, made inaccessible by control rod drive penetrations.
- (d) Welds or portions of welds that are inaccessible due to being encased in concrete, buried underground, located inside a penetration, or encapsulated by guard pipe.

1.6.2 Code Class 2

The following Code Class 2 components or parts of components are exempted from the volumetric and surface examination requirements of Subsection IWC-2500 of the Code by Subsection IWC-1220.

- 1.6.2.1 Components within Residual Heat Removal (RHR), Emergency Core Cooling (ECC), and Containment Heat Removal (CHR) Systems or Portions of Systems:

**COMANCHE PEAK NUCLEAR POWER PLANT
UNIT NO. 1 – SECOND INTERVAL
ASME SECTION XI
INSERVICE INSPECTION PROGRAM PLAN**

(a) For systems, except high pressure safety injection systems in pressurized water reactor plants:

- (1) Piping NPS 4 and smaller
- (2) Vessels, pumps, and valves and their connections in piping NPS 4 and smaller

(b) For high pressure safety injection systems in pressurized water reactor plants:

- (1) Piping NPS 1 1/2 and smaller.
- (2) Vessels, pumps, and valves and their connections in piping NPS 1 1/2 and smaller.

(c) Vessels, piping, pumps, and valves, other components, and component connections of any size in statically pressurized, passive (i.e., no pumps) safety injection systems of pressurized water reactor plants.

(d) Piping and other components of any size beyond the last shutoff valve in open ended portions of systems that do not contain water during normal plant operating conditions.

1.6.2.2 Components within systems or portions of systems other than RHR, ECC, and CHR Systems:

(a) For systems, except auxiliary feedwater systems pressurized water reactor plants:

- (1) Piping NPS 4 and smaller
- (2) Vessels, pumps, and valves and their connections in piping NPS 4 and smaller

(b) For auxiliary feedwater systems in pressurized reactor plants:

- (1) Piping NPS 1 1/2 and smaller
- (2) Vessels, pumps, and valves and their connections in piping NPS 1 1/2 and smaller.

(c) Vessels, piping, pumps, valves, other components, component connections of any size in systems or of systems that operate (when the system function is required) at a pressure equal to or less than 275 psig and at a temperature equal to or less than 200°F.

(d) Piping and other components of any size beyond last shutoff valve in open ended portions of systems do not contain water during normal plant operating conditions.

**COMANCHE PEAK NUCLEAR POWER PLANT
UNIT NO. 1 – SECOND INTERVAL
ASME SECTION XI
INSERVICE INSPECTION PROGRAM PLAN**

1.6.2.3 Inaccessible Welds

Welds or portions of welds that are inaccessible due to being encased in concrete, buried underground, located inside a penetration, or encapsulated by guard pipe.

1.6.3 The following components or parts of components are exempted from the VT-1 visual examination requirements of IWD-2500 of the Code by IWB-1220:

(a) Piping NPS 4 and smaller.

(b) Vessels, pumps, and valves and their connections in piping NPS 4 and smaller.

(c) Components that operate at a pressure of 275 psig or less and at a temperature of 200°F or less in systems (or portions of systems) whose function is not required in support of reactor residual heat removal, containment heat removal, and emergency core cooling.

(d) Welds or portions of welds that are inaccessible due to being encased in concrete, buried underground, located inside a penetration, or encapsulated by guard pipe.

1.7 WELD REFERENCE SYSTEM

Weld areas subject to surface or volumetric examination shall be identifiable through a reference system as specified by Subsection IWA-2600 and Appendix III of the Code. This system shall consist of a combination of physical markings and written direction provided in this plan and in site implementing procedures. Welds within the boundaries of the ISI program are uniquely identified on isometric drawings, which provide weld numbers and locations. In those cases where the physical configuration will not provide positive weld location, dimensional information can be obtained from construction isometric drawings or piping fabrication drawings to allow for such positive identification.

Welds which were inadvertently not marked or whose marks have been removed shall be marked at the time inservice inspection is performed. The method of marking these indications on the pipe will be delineated in the implementing procedures.

**COMANCHE PEAK NUCLEAR POWER PLANT
UNIT NO. 1 – SECOND INTERVAL
ASME SECTION XI
INSERVICE INSPECTION PROGRAM PLAN**

1.8 RELIEF REQUESTS

Where a particular examination requirement of the Code is determined to be impractical, a request for relief from the requirement shall be submitted pursuant to the requirement of 10CFR50.55a (a)(3).

Each request for relief should contain the following information, as a minimum:

- (a) System/Component for which relief is requested;
- (b) Code requirement;
- (c) Code requirement from which relief is requested;
- (d) Proposed alternative;
- (e) Basis of alternative for providing acceptable level of quality and safety; and,
- (f) Duration of proposed alternative.

1.9 RECORDS OF RETENTION

Records and documentation of information and examination results, which provide the basis for evaluation and facilitate the comparison of examination results from previous and subsequent examinations, shall be maintained as permanent plant records at CPNPP in accordance with Article IWA-6000 of the Code. As a minimum, this documentation shall include the applicable records described in Subsection IWA-6340.

1.10 AUTHORIZED INSPECTION AGENCY

In accordance with Subsection IWA-1400, paragraph (f), of the Code, Owner/Designated Agent has maintained a contract with an Authorized Inspection Agency (AIA) for an Authorized Nuclear Inservice Inspector (ANII) to provide inspection services as described in Subsection IWA-2110 of the Code. The ANII is afforded the opportunity to verify examinations and review the Plan, examination procedures, examination records, certification records, and other associated documents.

**COMANCHE PEAK NUCLEAR POWER PLANT
UNIT NO. 1 – SECOND INTERVAL
ASME SECTION XI
INSERVICE INSPECTION PROGRAM PLAN**

2.0 EXAMINATION BOUNDARIES

2.1 ASME CODE BOUNDARIES

ASME Code classification and system boundaries of the piping and other components subject to examination have been identified as required by Subsection IWA-1400(a) of the Code. Section 3.2 of the CPNPP UFSAR defines the various safety classes of piping and components in accordance with Regulatory Guide 1.26 and ANSI Standard N18.2. The plant piping schematic drawings (flow diagrams) show these class interfaces and the ISI examination boundary drawings were developed from these flow diagrams.

2.2 ISI ISOMETRIC DRAWINGS

ISI isometric drawings have been developed to identify the ISI examination areas for examinations required by the Code tables IWB-2500, IWC-2500, and IWF-2500 (Class 1 and 2 only). These drawings are maintained current by CPNPP. Revisions to these ISI isometric drawings are prepared and approved in accordance with site implementing procedures. These drawings are CADD and controlled by Engineering Programs and the ISI Engineer. No specific ISI isometric sketches have been created to reflect the ASME Code Class 2 AFW lines, added per the Code-year update in 2004, for using the Code. Weld numbers for examinations in the ISI Program were taken directly from weld numbers shown on the plant BRP drawings.

Plant piping drawings (BRP, BRHL, GHH), individual pipe support drawings, and vendor drawings for vessels, pumps, and valves are specifically used to identify examination areas for examinations as required by the Code tables IWD-2500 and IWF-2500 (Code Class 3) and also provide references for Class 1 and 2 examinations.

**COMANCHE PEAK NUCLEAR POWER PLANT
UNIT NO. 1 – SECOND INTERVAL
ASME SECTION XI
INSERVICE INSPECTION PROGRAM PLAN**

2.3 ISI EXAMINATION BOUNDARY DRAWINGS

The following ISI examination boundary drawings delineate the bounds within which the ISI examination requirements of the Code are applied. The plant systems included in the examination boundary are listed below:

- AF - Auxiliary Feedwater
- CC - Component Cooling Water
- CH - Chilled Water System
- CS - Chemical and Volume Control
- CT - Containment Spray
- DD - Demineralized & Reactor Make-up Water
- DO - Diesel Oil
- FW - Feedwater
- MS - Main Steam
- RC - Reactor Coolant
- RH - Residual Heat Removal
- SF - Spent Fuel
- SI - Safety Injection
- SW - Service Water

Flow diagrams for each system are marked up from the boundary drawings and become part of the VT-2 system pressure test packages.

3.0 NON-DESTRUCTIVE EXAMINATION (NDE) METHODS

The method of examination for each weld, component, or support is specified in the examination tables found in subsection 4.1, 4.2, and 4.3 of this plan. These methods, as described below, are in accordance with Article IWA-2000 of the Code.

**COMANCHE PEAK NUCLEAR POWER PLANT
UNIT NO. 1 – SECOND INTERVAL
ASME SECTION XI
INSERVICE INSPECTION PROGRAM PLAN**

3.1 VISUAL EXAMINATION (IWA-2210)

3.1.1 VT-1 (IWA-2211)

VT-1 examinations are conducted to detect discontinuities and imperfections on the surfaces of components, including such conditions as cracks, wear, corrosion, or erosion.

3.1.2 VT-2 (IWA-2212)

(a) VT-2 examinations are conducted to detect evidence of leakage from pressure retaining components, with or without leakage collection systems, as required during the conduct of system pressure test.

(b) VT-2 examinations shall be conducted in accordance with IWA-5000. For direct examination, the Table IWA-2210-1 maximum examination distance shall apply to the distance from the eye to the surfaces being examined.

3.1.3 VT-3 (IWA-2213)

VT-3 examinations are conducted to determine the general mechanical and structural condition of components and their supports by verifying parameters such as clearances, settings, and physical displacement; and to detect discontinuities and imperfections, such as loss of integrity at bolted or welded connections, loose or missing parts, debris, corrosion, wear, or erosion. VT-3 includes examinations for conditions that could affect operability or functional adequacy of snubbers and constant load and spring type supports.

3.2 SURFACE EXAMINATION (IWA-2220)

(a) A surface examination indicates the presence of surface discontinuities. It may be conducted by a magnetic particle, a liquid penetrant, or an eddy current method.

(b) Any linear indication that exceeds the allowable linear surface flaw standards shall be recorded.

3.2.1 Magnetic Particle Examination (IWA-2221)

The magnetic particle (MT) examination shall be conducted in accordance with Article 7 of Section V of ASME Boiler and Pressure Vessel Code, 2004 Edition, 2005 Addenda. MT of coated materials shall be conducted in accordance with Article 7, Appendix I of Section V of ASME Boiler and Pressure Vessel Code, 2004 Edition, 2005 Addenda.

**COMANCHE PEAK NUCLEAR POWER PLANT
UNIT NO. 1 – SECOND INTERVAL
ASME SECTION XI
INSERVICE INSPECTION PROGRAM PLAN**

3.2.2 Liquid Penetrant Examination (IWA-2222)

The liquid penetrant examination shall be conducted in accordance with Article 6 of Section V of ASME Boiler and Pressure Vessel Code, 2004 Edition, 2005 Addenda.

3.2.3 Eddy Current Examination (IWA-2223)

Eddy current examination for detection of surface flaws shall be conducted in accordance with Appendix IV of the Code.

3.3 VOLUMETRIC EXAMINATION (IWA-2230)

A volumetric examination indicates the presence of discontinuities throughout the volume of material.

3.3.1 Radiographic Examination (IWA-2231)

This volumetric examination is conducted to detect discontinuities using penetrating radiation with appropriate image-recording devices. This examination shall be conducted in accordance with Article 2 of Section V of ASME Boiler and Pressure Vessel Code, 2004 Edition, 2005 Addenda.

New ASME Code Class 1 and 2 piping welds installed during 1RF12 for the Steam Generator Replacement Project utilized digitized radiography that was reconciled to Article 2 of Section V of ASME Boiler and Pressure Vessel Code, 2004 Edition, 2005 Addenda.

3.3.2 Ultrasonic Examination (IWA-2232)

This volumetric examination is conducted to detect discontinuities using appropriate ultrasonic instrumentation in accordance with Appendix I of the Code.

3.3.3 Eddy Current Examination (IWA-2233)

This volumetric examination is conducted to detect discontinuities in heat exchanger tubing using electromagnetic principles in accordance with the provisions of Section V of ASME Boiler and Pressure Vessel Code, 2004 Edition, 2005 Addenda, Article 8, Appendix II. For Inspection Program for Steam Generator Tubing refer to the Code Subsection IWB-2413 and paragraph 4.4 below.

**COMANCHE PEAK NUCLEAR POWER PLANT
UNIT NO. 1 – SECOND INTERVAL
ASME SECTION XI
INSERVICE INSPECTION PROGRAM PLAN**

4.0 EXAMINATION TABLES

CPNPP ASME Section XI Inservice Inspection Plan tables 4.1 through 4.3 have been developed and contain the following information:

- a) System Name.
- b) Summary Number - A computer data base assigned sequencing number.
- c) Line Number of Component Number - Example: 6-SI-1-089-2501R-1 or TBX-RCPCR-01.
- d) Weld Number or Pipe Support Number - Example: TCX-1-1100-8 or CC-1-105-012-E33K.
- e) ASME Sec. XI Category and Item Number - Described the Code Examination Tables (IWX-2500-1).
- f) NDE Method - Identifies the examination method(s) as described in section 3 of this plan.
- g) Plan Status - Identifies the inspection interval, period and outage
- h) Year - Example: 83, the year that PSI was performed.
- i) Instructions - Notes applicable to specific inspection requirements *.
- j) Calibration Block - Example: TBX-18.
- k) Notes - Applicable to the results of specific outages preceded by the outage year, "84" refers to the baseline outage.

* RI-ISI piping welds are identified here; prior to the Code-Year Edition update and are categorized according to Code Case N-578, which was submitted as part of the relief request for using RI-ISI for selected Class 1 and 2 piping welds. RI-ISI piping welds without any determined degradation mechanism have been assigned a category of R-A, R1.20.

4.1 CLASS 1 NDE

This subsection describes the examination areas and NDE methods for the Class 1 pressure retaining components and associated component integral welded attachments as specified in Article IWB of the Code.

For pressure testing, refer to Section 5 below.

Class 1 valve bodies exceeding 4" NPS have been grouped according to size, constructional design, manufacturing method, and function in accordance with Table IWB-2500-1, Category B-M-2, and Note 3 of the Code. These groups are delineated below. One valve from each group has been selected for examination as denoted by the asterisk "**".

**COMANCHE PEAK NUCLEAR POWER PLANT
UNIT NO. 1 – SECOND INTERVAL
ASME SECTION XI
INSERVICE INSPECTION PROGRAM PLAN**

These examinations are only required to be performed if the component is disassembled for maintenance, repair or other testing.

Group 1 - 6" Forged Pressurizer Relief Valves

1-8010A * (reference TBX-1-4501 for location)
1-8010B
1-8010C

Group 2 - 12" Forged Gate Valves Isolating the RC System from the RHR System

1-8701A * (reference TBX-1-4101 for location)
1-8701B
1-8702A
1-8702B

Group 3 - 10" Forged Check Valves Isolating the RC System from the SI System

1-8948A
1-8948B
1-8948C
1-8948D
1-8956A
1-8956B
1-8956C
1-8956D * (reference TBX-1-4301 for location)

Group 4 - 6" Forged Check Valves Isolating the RC System from the SI System

1-8818A
1-8818B
1-8818C
1-8818D * (reference TBX-1-4203 for location)
1-8949A
1-8949B
1-8949C
1-8949D
1-8841A
1-8841B

**COMANCHE PEAK NUCLEAR POWER PLANT
UNIT NO. 1 – SECOND INTERVAL
ASME SECTION XI
INSERVICE INSPECTION PROGRAM PLAN**

4.2 CLASS 2 NDE

This subsection describes the examination areas and NDE methods for the Class 2 pressure retaining components and associated component integral welded attachments as specified in Article IWC of the Code. For pressure testing, see Section 5.

Class 2 valve body welds have been grouped according to design, size, function and service in a system in accordance with Table IWC-2500-1, Category C-G, Note 1 of the Code. These groups are delineated below. One valve from each group has been selected for examination as denoted by the asterisk “*”.

Group 1 - 8" Forged Gate Valves, MS Safety Isolation

1MS-026
1MS-063
1MS-098 * (reference TBX-2-2200 for location)
1MS-134

Group 2 - 18" Forged Gate Valves, Main Feedwater Isolation

1FW-071
1FW-077 * (reference TBX-2-2201 for location)
1FW-083
1FW-089

Group 3 - 6" Forged Check Valves, Feedwater

1FW-191 - Valve was removed in 1RF12 per SGR
1FW-192 - Valve was removed in 1RF12 per SGR
1FW-193 - Valve was removed in 1RF12 per SGR
1FW-194 - Valve was removed in 1RF12 per SGR
1FW-195
1FW-196
1FW-197 * (reference TBX-2-2202 for location)
1FW-198
1FW-199
1FW-200
1FW-201
1FW-202

**COMANCHE PEAK NUCLEAR POWER PLANT
UNIT NO. 1 – SECOND INTERVAL
ASME SECTION XI
INSERVICE INSPECTION PROGRAM PLAN**

Group 4 " Forged Gate Valves, Auxiliary Feedwater Isolation

- 1FW-203 - Valve was removed in 1RF12 per SGR
- 1FW-204 - Valve was removed in 1RF12 per SGR
- 1FW-205 * (reference TBX-2-2202 for location, examined prior to removal in 1RF12 for SGR)
- 1FW-206 - Valve was removed in 1RF12 per SGR

Group 5 2" Forged Gate Valves, Containment Spray Isolation

- 1CT-0026
- 1CT-0028
- 1CT-0078
- 1CT-0084 * (reference TBX-2-2576 for location)

Group 6 2" Forged Gate Valve, Safety Injection

- 1SI-0048 * (reference TBX-2-2582 for location)

4.3 COMPONENT SUPPORTS

This subsection describes the examination areas and requirements for the Class 1, 2 and 3 component supports and Class 3 Integral Welded Attachments as specified in Article IWF and IWD of the Code, respectively. For pressure testing of Class 3 components, see Section 5.

In lieu of the requirements of Technical Specifications relating to snubbers, specifically those ISI requirements (e.g., plans, schedules, reports, inspector involvement, and Code Data Reports) of the Code, snubbers shall be demonstrated operable by performance of the augmented inservice inspection program as described in the ASME OM Code, 1998 Edition, 1999 and 2000 Addenda, Subsection ISTD.

Note 1 (as used in the item number field of the tables):

This support may have component standard item (F-C) and/or linear type items (F-B); the examination method is identical for all items in both categories. These examinations were all completed prior to the Code Edition change, which adopted ASME section XI, 1998 Edition, 1999 and 2000 Addenda.

**COMANCHE PEAK NUCLEAR POWER PLANT
UNIT NO. 1 – SECOND INTERVAL
ASME SECTION XI
INSERVICE INSPECTION PROGRAM PLAN**

4.4 EDDY CURRENT

Eddy Current testing (ET) of the steam generator tubes shall be governed by Plant Technical Specifications; results of the examination shall be evaluated against acceptance criteria contained in TS 5.5.9. The steam generator tubes are examination category B-Q, item No. 16.20, per the Code. The need for reporting requirements, the corrective action including expanded examination of samples shall also be governed by the Technical Specifications. Other examination parameters shall be in accordance with the Code. These measures will provide compliance with the inspection requirements of Reg. Guide 1.83.

Procedure NDE 7.10, “Steam Generator Tube Selection and Examination” lists the tubes repaired by steam generator number and the type of plugs installed. The information in this table is cumulative and is updated after each refueling outage.

The following License Amendment Request (LAR) numbers have been taken for Eddy Current testing:

98-009	Implementation of 1.0 volt repair criteria
98-006	Revision to SG tube plugging criteria
00-004	Steam generator tube repair using laser welded sleeves
01-012	Steam generator tube repair using leak tight sleeves

The original four steam generators were replaced with four new steam generators in 1RF12 (Spring 2007) per FDA-2003-002426.

5.0 PRESSURE TESTING

5.1 PURPOSE

This section of the ISI Plan identifies pressure test requirements for ASME Code Class 1, 2, and 3 pressure retaining piping and components at CPNPP Unit 1 as defined in Subsection IWA-5000 of the Code.

This section defines pressure test boundaries, establishes test frequencies, required tests and test pressures and temperature as required by the Code. The system pressure test for repair/replacement activities shall be in accordance with Subsection IWA-5120 of the Code.

**COMANCHE PEAK NUCLEAR POWER PLANT
UNIT NO. 1 – SECOND INTERVAL
ASME SECTION XI
INSERVICE INSPECTION PROGRAM PLAN**

5.2 PRESSURE TEST DESCRIPTION

Pressure retaining components within each system boundary is subjected to the following applicable system pressure tests as referenced in the Code, Table IWA-5210-1, under which conditions a VT-2 visual examination is performed in accordance with IWA-5240 to detect leakage.

5.2.1 IWA-5211(a): A system leakage test is conducted while the system is in operation, during a system operability test, or while system is at rest conditions using an external pressurization source;

5.2.2 IWA-5211(b): A system hydrostatic test conducted during a plant shutdown at an elevated test pressure as specified in IWB-5230, IWC-5230, or IWD-5222; and

5.2.3 IWA-5211(c): A system pneumatic test conducted in lieu of either of the above system pressure tests for Class 2 or 3 components as permitted by IWC-5000 or IWD-5000. The requirements for system leakage and hydrostatic tests are applicable to pneumatic tests.

5.3 PRESSURE TEST REQUIREMENTS

A system pressure test and accompanying VT -2 examination shall be performed in accordance with Articles IWA-5000, IWB-5000, IWC-5000 and IWD-5000 and the related tables, Tables IWA-5210-1, IWB, IWC and IWD-2500-1 of the Code. The plant systems identified in the ISI boundary are found in Section 2.3. A VT-2 system pressure test listing, identified in Appendix B, breaks up the system into smaller VT-2 packages and work orders, which are scheduled and completed on a period basis. This list tracks the scheduled and completed VT-2 examinations during the period and supports the completed OAR-1 Report.

Insulated Bolted Connections:

IWA-5242 states that borated systems controlling reactivity shall have insulation removed from pressure retaining bolted connections during VT -2 visual exams. In lieu of performing this examination at plant start-up and after removing/reinstalling the insulation at these bolted connections, an alternate examination was conducted adopting Code Case N-533-1. This alternate examination allowed for removing the insulation and conducting the bolted joint exams for Class 1 systems during refueling. VT -3 certified personnel then perform the exams of the bolted connections looking for evidence of leakage per the list of components provided in Preventative Maintenance (PM) Work Order (344681).

**COMANCHE PEAK NUCLEAR POWER PLANT
UNIT NO. 1 – SECOND INTERVAL
ASME SECTION XI
INSERVICE INSPECTION PROGRAM PLAN**

Exemption of various plant components from surface, volumetric, or visual examinations in accordance with paragraphs 1.6.1 through 1.6.3 of this Plan does not constitute exemption of those plant components from the requirement for VT-2 testing.

6.0 PROGRAM CHANGES

Class 1 NDE, Class 2 NDE, and component support exams that are substituted for other exams are identified in the table below per the requirements of IWA-2420(5). Based on the limitations of the ISI data base program, exams that are no longer conducted do not appear on the Class 1 NDE, Class 2 NDE, and component support tables. The table, below, clearly identifies the specific exams affected rather than reviewing the history of changes made per each specific revision of the Program Plan.

CLASS 1					
WELD / COMPONENT NUMBER	ADDED	DELETED	REPLACED	NOT EXAMINED	REMARKS
TBX-1-1100-1				X	RELIEF REQUEST B-9
TBX-1-1100-2				X	RELIEF REQUEST B-9
TBX-1-1100-3				X	RELIEF REQUEST B-9
TBX-1-1100-4				X	RELIEF REQUEST B-9
TBX-1-1100-5				X	RELIEF REQUEST B-9
TBX-1-1100-6				X	RELIEF REQUEST B-9
TBX-1-1100-7				X	RELIEF REQUEST B-9
TBX-1-1100-8				X	RELIEF REQUEST B-9
TBX-1-1100-9				X	RELIEF REQUEST B-9
TBX-1-1100-10				X	RELIEF REQUEST B-9
TBX-1-1100-11				X	RELIEF REQUEST B-9
TBX-1-1100-12				X	RELIEF REQUEST B-9
TBX-1-1100-13				X	RELIEF REQUEST B-9
TBX-1-1100-14				X	RELIEF REQUEST B-9
TBX-1-1100-15				X	RELIEF REQUEST B-9
TBX-1-1100-16				X	RELIEF REQUEST B-9
TBX-1-1100-17				X	RELIEF REQUEST B-9
TBX-1-1100-18				X	RELIEF REQUEST B-9
TBX-1-1100-19				X	RELIEF REQUEST B-9
TBX-1-1100-19IR				X	RELIEF REQUEST B-9
TBX-1-1100-20				X	RELIEF REQUEST B-9
TBX-1-1100-20IR				X	RELIEF REQUEST B-9
TBX-1-1100-21				X	RELIEF REQUEST B-9
TBX-1-1100-21IR				X	RELIEF REQUEST B-9
TBX-1-1100-22				X	RELIEF REQUEST B-9
TBX-1-1100-22IR				X	RELIEF REQUEST B-9
TBX-1-1100-23				X	RELIEF REQUEST B-9

**COMANCHE PEAK NUCLEAR POWER PLANT
UNIT NO. 1 - SECOND INTERVAL
ASME SECTION XI
INSERVICE INSPECTION PROGRAM PLAN**

CLASS 1					
WELD / COMPONENT NUMBER	ADDED	DELETED	REPLACED	NOT EXAMINED	REMARKS
TBX-1-1100-23IR				X	RELIEF REQUEST B-9
TBX-1-1100-24				X	RELIEF REQUEST B-9
TBX-1-1100-24IR				X	RELIEF REQUEST B-9
TBX-1-1100-25				X	RELIEF REQUEST B-9
TBX-1-1100-25IR				X	RELIEF REQUEST B-9
TBX-1-1100-26				X	RELIEF REQUEST B-9
TBX-1-1100-26IR				X	RELIEF REQUEST B-9
TBX-1-1300-2		X			DELETED DUE TO RVH REPLACEMENT
TBX-1-1300-3		X			DELETED DUE TO RVH REPLACEMENT
TBX-1-1300-4		X			DELETED DUE TO RVH REPLACEMENT
TBX-1-1300-5		X			DELETED DUE TO RVH REPLACEMENT
TBX-1-1300-6		X			DELETED DUE TO RVH REPLACEMENT
TBX-1-1300A-59NH	X				ADDED DUE TO NEW RVH IN 2RF12
TBX-1300A-76		X			DELETED DUE TO RVH REPLACEMENT
TBX-1300A-77		X			DELETED DUE TO RVH REPLACEMENT
TBX-1300A-78		X			DELETED DUE TO RVH REPLACEMENT
TBX-1-3100-1-1		X			DELETED DUE TO SGR IN 2RF12
TBX-1-3100-1B1-16		X			DELETED DUE TO SGR IN 2RF12
TBX-1-3100-1B17-32		X			DELETED DUE TO SGR IN 2RF12
TBX-1-3100-2-1		X			DELETED DUE TO SGR IN 2RF12
TBX-1-3100-2A		X			DELETED DUE TO SGR IN 2RF12
TBX-1-3100-2B		X			DELETED DUE TO SGR IN 2RF12
TBX-1-3100-3-1		X			DELETED DUE TO SGR IN 2RF12
TBX-1-3100-3A		X			DELETED DUE TO SGR IN 2RF12
TBX-1-3100-3B		X			DELETED DUE TO SGR IN 2RF12
TBX-1-3100-3-1NSG	X				ADDED DUE TO NEW SG IN 2RF12
TBX-1-3100-3ANSG	X				ADDED DUE TO NEW SG IN 2RF12
TBX-1-3100-3BNSG	X				ADDED DUE TO NEW SG IN 2RF12
TBX-1-3100-3B1-16NB	X				ADDED DUE TO NEW SG IN 2RF12
TBX-1-3100-3B17-32NB	X				ADDED DUE TO NEW SG IN 2RF12
TBX-1-3100-4B1N-16N	X				ADDED DUE TO NEW SG IN 2RF12
TBX-1-3100-4B17N-32N	X				ADDED DUE TO NEW SG IN 2RF12
TBX-1-3100-3B1-16		X			DELETED DUE TO SGR IN 2RF12
TBX-1-3100-3B17-32		X			DELETED DUE TO SGR IN 2RF12
TBX-1-3100-4-1		X			DELETED DUE TO SGR IN 2RF12
TBX-1-3100-4A		X			DELETED DUE TO SGR IN 2RF12
TBX-1-3100-4B		X			DELETED DUE TO SGR IN 2RF12
TBX-1-4100-17				X	NOT SELECTED FOR RI-ISI
TBX-1-4101-7				X	NOT SELECTED FOR RI-ISI
TBX-1-4101-8				X	NOT SELECTED FOR RI-ISI
TBX-1-4101-3	X				ADDED FOR RI-ISI
TBX-1-4101-4	X				ADDED FOR RI-ISI
TBX-1-4101-5	X				ADDED FOR RI-ISI
TBX-1-4101-6	X				ADDED FOR RI-ISI

**COMANCHE PEAK NUCLEAR POWER PLANT
UNIT NO. 1 - SECOND INTERVAL
ASME SECTION XI
INSERVICE INSPECTION PROGRAM PLAN**

CLASS 1					
WELD / COMPONENT NUMBER	ADDED	DELETED	REPLACED	NOT EXAMINED	REMARKS
TBX-1-4101-13				X	NOT SELECTED FOR RI-ISI
TBX-1-4101-8701A-INT				X	NO VALVE MAINTENANCE PERFORMED
TBX-1-4102-1	X				ADDED FOR RI-ISI
TBX-1-4102-7				X	NOT SELECTED FOR RI-ISI
TBX-1-4102-8				X	NOT SELECTED FOR RI-ISI
TBX-1-4102-13				X	NOT SELECTED FOR RI-ISI
TBX-1-4102-14				X	NOT SELECTED FOR RI-ISI
TBX-1-4102-15				X	NOT SELECTED FOR RI-ISI
TBX-1-4103-1				X	NOT SELECTED FOR RI-ISI
TBX-1-4103-2				X	NOT SELECTED FOR RI-ISI
TBX-1-4103-3				X	NOT SELECTED FOR RI-ISI
TBX-1-4103-4				X	NOT SELECTED FOR RI-ISI
TBX-1-4103-5				X	NOT SELECTED FOR RI-ISI
TBX-1-4103-13				X	NOT SELECTED FOR RI-ISI
TBX-1-4103-14				X	NOT SELECTED FOR RI-ISI
TBX-1-4103-15				X	NOT SELECTED FOR RI-ISI
TBX-1-4104-1				X	NOT SELECTED FOR RI-ISI
TBX-1-4104-7				X	NOT SELECTED FOR RI-ISI
TBX-1-4105-8				X	NOT SELECTED FOR RI-ISI
TBX-1-4105-9				X	NOT SELECTED FOR RI-ISI
TBX-1-4105-10				X	NOT SELECTED FOR RI-ISI
TBX-1-4107-6				X	NOT SELECTED FOR RI-ISI
TBX-1-4107-24				X	NOT SELECTED FOR RI-ISI
TBX-1-4108-6				X	NOT SELECTED FOR RI-ISI
TBX-1-4108-9				X	NOT SELECTED FOR RI-ISI
TBX-1-4108-10				X	NOT SELECTED FOR RI-ISI
TBX-1-4108-17				X	NOT SELECTED FOR RI-ISI
TBX-1-4109-4				X	NOT SELECTED FOR RI-ISI
TBX-1-4109-5				X	NOT SELECTED FOR RI-ISI
TBX-1-4109-7				X	NOT SELECTED FOR RI-ISI
TBX-1-4109-8				X	NOT SELECTED FOR RI-ISI
TBX-1-4109-9				X	NOT SELECTED FOR RI-ISI
TBX-1-4109-10				X	NOT SELECTED FOR RI-ISI
TBX-1-4109-11				X	NOT SELECTED FOR RI-ISI
TBX-1-4109-12				X	NOT SELECTED FOR RI-ISI
TBX-1-4109-13				X	NOT SELECTED FOR RI-ISI
TBX-1-4109-14				X	NOT SELECTED FOR RI-ISI
TBX-1-4109-15				X	NOT SELECTED FOR RI-ISI
TBX-1-4111-1				X	NOT SELECTED FOR RI-ISI
TBX-1-4111-2				X	NOT SELECTED FOR RI-ISI
TBX-1-4111-5				X	NOT SELECTED FOR RI-ISI
TBX-1-4111-6				X	NOT SELECTED FOR RI-ISI
TBX-1-4111-9				X	NOT SELECTED FOR RI-ISI
TBX-1-4200-4				X	NOT SELECTED FOR RI-ISI

**COMANCHE PEAK NUCLEAR POWER PLANT
UNIT NO. 1 – SECOND INTERVAL
ASME SECTION XI
INSERVICE INSPECTION PROGRAM PLAN**

CLASS 1					
WELD / COMPONENT NUMBER	ADDED	DELETED	REPLACED	NOT EXAMINED	REMARKS
TBX-1-4200-5				X	NOT SELECTED FOR RI-ISI
TBX-1-4201-1	X				ADDED FOR RI-ISI
TBX-1-4201-3	X				ADDED FOR RI-ISI
TBX-1-4201-4	X				ADDED FOR RI-ISI
TBX-1-4201-7				X	NOT SELECTED FOR RI-ISI
TBX-1-4201-8				X	NOT SELECTED FOR RI-ISI
TBX-1-4201-9	X				ADDED FOR RI-ISI
TBX-1-4201-10	X				ADDED FOR RI-ISI
TBX-1-4201-15				X	NOT SELECTED FOR RI-ISI
TBX-1-4202-1				X	NOT SELECTED FOR RI-ISI
TBX-1-4202-2				X	NOT SELECTED FOR RI-ISI
TBX-1-4202-3				X	NOT SELECTED FOR RI-ISI
TBX-1-4202-4				X	NOT SELECTED FOR RI-ISI
TBX-1-4202-5				X	NOT SELECTED FOR RI-ISI
TBX-1-4202-6				X	NOT SELECTED FOR RI-ISI
TBX-1-4202-14				X	NOT SELECTED FOR RI-ISI
TBX-1-4202-15				X	NOT SELECTED FOR RI-ISI
TBX-1-4202-16				X	NOT SELECTED FOR RI-ISI
TBX-1-4202-17				X	NOT SELECTED FOR RI-ISI
TBX-1-4202-18				X	NOT SELECTED FOR RI-ISI
TBX-1-4202-19				X	NOT SELECTED FOR RI-ISI
TBX-1-4202-20				X	NOT SELECTED FOR RI-ISI
TBX-1-4202-21				X	NOT SELECTED FOR RI-ISI
TBX-1-4202-22				X	NOT SELECTED FOR RI-ISI
TBX-1-4202-23				X	NOT SELECTED FOR RI-ISI
TBX-1-4202-24				X	NOT SELECTED FOR RI-ISI
TBX-1-4202-25				X	NOT SELECTED FOR RI-ISI
TBX-1-4203-1				X	NOT SELECTED FOR RI-ISI
TBX-1-4203-8949B-INT				X	NO VALVE MAINTENANCE PERFORMED
TBX-1-4203-9				X	NOT SELECTED FOR RI-ISI
TBX-1-4203-10	X				ADDED FOR RI-ISI
TBX-1-4205-4				X	NOT SELECTED FOR RI-ISI
TBX-1-4205-5				X	NOT SELECTED FOR RI-ISI
TBX-1-4205-6				X	NOT SELECTED FOR RI-ISI
TBX-1-4205-32				X	NOT SELECTED FOR RI-ISI
TBX-1-4205-33				X	NOT SELECTED FOR RI-ISI
TBX-1-4205-34				X	NOT SELECTED FOR RI-ISI
TBX-1-4205-35				X	NOT SELECTED FOR RI-ISI
TBX-1-4205-36				X	NOT SELECTED FOR RI-ISI
TBX-1-4205-38				X	NOT SELECTED FOR RI-ISI
TBX-1-4206-2				X	NOT SELECTED FOR RI-ISI
TBX-1-4206-3				X	NOT SELECTED FOR RI-ISI
TBX-1-4206-4				X	NOT SELECTED FOR RI-ISI
TBX-1-4300-4				X	NOT SELECTED FOR RI-ISI

**COMANCHE PEAK NUCLEAR POWER PLANT
UNIT NO. 1 – SECOND INTERVAL
ASME SECTION XI
INSERVICE INSPECTION PROGRAM PLAN**

CLASS 1					
WELD / COMPONENT NUMBER	ADDED	DELETED	REPLACED	NOT EXAMINED	REMARKS
TBX-1-4300-5				X	NOT SELECTED FOR RI-ISI
TBX-1-4300-7				X	NOT SELECTED FOR RI-ISI
TBX-1-4300-16				X	NOT SELECTED FOR RI-ISI
TBX-1-4301-7				X	NOT SELECTED FOR RI-ISI
TBX-1-4301-8				X	NOT SELECTED FOR RI-ISI
TBX-1-4301-15				X	NOT SELECTED FOR RI-ISI
TBX-1-4301-8956C-INT				X	NO VALVE MAINTENANCE PERFORMED
TBX-1-4302-1				X	NOT SELECTED FOR RI-ISI
TBX-1-4302-5				X	NOT SELECTED FOR RI-ISI
TBX-1-4302-6				X	NOT SELECTED FOR RI-ISI
TBX-1-4302-7				X	NOT SELECTED FOR RI-ISI
TBX-1-4302-14				X	NOT SELECTED FOR RI-ISI
TBX-1-4302-15				X	NOT SELECTED FOR RI-ISI
TBX-1-4302-16				X	NOT SELECTED FOR RI-ISI
TBX-1-4302-17				X	NOT SELECTED FOR RI-ISI
TBX-1-4302-18				X	NOT SELECTED FOR RI-ISI
TBX-1-4302-19				X	NOT SELECTED FOR RI-ISI
TBX-1-4302-20				X	NOT SELECTED FOR RI-ISI
TBX-1-4302-21				X	NOT SELECTED FOR RI-ISI
TBX-1-4302-22				X	NOT SELECTED FOR RI-ISI
TBX-1-4302-23				X	NOT SELECTED FOR RI-ISI
TBX-1-4302-24				X	NOT SELECTED FOR RI-ISI
TBX-1-4303-9				X	NOT SELECTED FOR RI-ISI
TBX-1-4303-10	X				ADDED FOR RI-ISI
TBX-1-4303-11	X				ADDED FOR RI-ISI
TBX-1-4304-5	X				ADDED FOR RI-ISI
TBX-1-4304-14				X	NOT SELECTED FOR RI-ISI
TBX-1-4304-15				X	NOT SELECTED FOR RI-ISI
TBX-1-4304-25				X	NOT SELECTED FOR RI-ISI
TBX-1-4304-26				X	NOT SELECTED FOR RI-ISI
TBX-1-4304-27				X	NOT SELECTED FOR RI-ISI
TBX-1-4306-4				X	NOT SELECTED FOR RI-ISI
TBX-1-4306-5				X	NOT SELECTED FOR RI-ISI
TBX-1-4306-6				X	NOT SELECTED FOR RI-ISI
TBX-1-4307-1				X	NOT SELECTED FOR RI-ISI
TBX-1-4307-4				X	NOT SELECTED FOR RI-ISI
TBX-1-4400-4				X	NOT SELECTED FOR RI-ISI
TBX-1-4400-5				X	NOT SELECTED FOR RI-ISI
TBX-1-4400-8	X				ADDED FOR RI-ISI
TBX-1-4400-22				X	NOT SELECTED FOR RI-ISI
TBX-1-4401-3	X				ADDED FOR RI-ISI
TBX-1-4401-5	X				ADDED FOR RI-ISI
TBX-1-4401-6				X	NOT SELECTED FOR RI-ISI
TBX-1-4401-7				X	NOT SELECTED FOR RI-ISI

**COMANCHE PEAK NUCLEAR POWER PLANT
UNIT NO. 1 – SECOND INTERVAL
ASME SECTION XI
INSERVICE INSPECTION PROGRAM PLAN**

CLASS 1					
WELD / COMPONENT NUMBER	ADDED	DELETED	REPLACED	NOT EXAMINED	REMARKS
TBX-1-4401-10	X				ADDED FOR RI-ISI
TBX-1-4401-12				X	NOT SELECTED FOR RI-ISI
TBX-1-4402-1	X				ADDED FOR RI-ISI (REPLACES WELD 2)
TBX-1-4402-3	X				ADDED FOR RI-ISI
TBX-1-4402-7				X	NOT SELECTED FOR RI-ISI
TBX-1-4402-8				X	NOT SELECTED FOR RI-ISI
TBX-1-4402-12				X	NOT SELECTED FOR RI-ISI
TBX-1-4402-13				X	NOT SELECTED FOR RI-ISI
TBX-1-4402-14				X	NOT SELECTED FOR RI-ISI
TBX-1-4402-15				X	NOT SELECTED FOR RI-ISI
TBX-1-4403-1				X	NOT SELECTED FOR RI-ISI
TBX-1-4403-2				X	NOT SELECTED FOR RI-ISI
TBX-1-4403-3				X	NOT SELECTED FOR RI-ISI
TBX-1-4403-5				X	NOT SELECTED FOR RI-ISI
TBX-1-4403-15				X	NOT SELECTED FOR RI-ISI
TBX-1-4403-16				X	NOT SELECTED FOR RI-ISI
TBX-1-4403-17				X	NOT SELECTED FOR RI-ISI
TBX-1-4403-18				X	NOT SELECTED FOR RI-ISI
TBX-1-4403-19				X	NOT SELECTED FOR RI-ISI
TBX-1-4403-20				X	NOT SELECTED FOR RI-ISI
TBX-1-4403-21				X	NOT SELECTED FOR RI-ISI
TBX-1-4403-22				X	NOT SELECTED FOR RI-ISI
TBX-1-4403-23				X	NOT SELECTED FOR RI-ISI
TBX-1-4404-1				X	NOT SELECTED FOR RI-ISI
TBX-1-4404-7				X	NOT SELECTED FOR RI-ISI
TBX-1-4404-16				X	NOT SELECTED FOR RI-ISI
TBX-1-4404-19				X	NOT SELECTED FOR RI-ISI
TBX-1-4404-20				X	NOT SELECTED FOR RI-ISI
TBX-1-4404-21				X	NOT SELECTED FOR RI-ISI
TBX-1-4404-24				X	NOT SELECTED FOR RI-ISI
TBX-1-4404-25				X	NOT SELECTED FOR RI-ISI
TBX-1-4405-6				X	NOT SELECTED FOR RI-ISI
TBX-1-4405-7				X	NOT SELECTED FOR RI-ISI
TBX-1-4405-8				X	NOT SELECTED FOR RI-ISI
TBX-1-4407-4				X	NOT SELECTED FOR RI-ISI
TBX-1-4407-5				X	NOT SELECTED FOR RI-ISI
TBX-1-4407-6				X	NOT SELECTED FOR RI-ISI
TBX-1-4407-14	X				ADDED FOR RI-ISI
TBX-1-4407-15	X				ADDED FOR RI-ISI
TBX-1-4408-2				X	NOT SELECTED FOR RI-ISI
TBX-1-4408-3				X	NOT SELECTED FOR RI-ISI
TBX-1-4408-4				X	NOT SELECTED FOR RI-ISI
TBX-1-4408-5				X	NOT SELECTED FOR RI-ISI
TBX-1-4408-6				X	NOT SELECTED FOR RI-ISI

**COMANCHE PEAK NUCLEAR POWER PLANT
UNIT NO. 1 – SECOND INTERVAL
ASME SECTION XI
INSERVICE INSPECTION PROGRAM PLAN**

CLASS 1					
WELD / COMPONENT NUMBER	ADDED	DELETED	REPLACED	NOT EXAMINED	REMARKS
TBX-1-4500-1				X	NOT SELECTED FOR RI-ISI
TBX-1-4500-7				X	SWOL APPLIED TO THIS WELD
TBX-1-4500-8				X	SWOL APPLIED TO THIS WELD
TBX-1-4500-5				X	NOT SELECTED FOR RI-ISI
TBX-1-4500-7OL	X				SWOL EXAMINED PER RELIEF REQ.
TBX-1-4500-8OL	X				SWOL EXAMINED PER RELIEF REQ.
TBX-1-4501-1				X	SWOL APPLIED TO THIS WELD
TBX-1-4501-2				X	SWOL APPLIED TO THIS WELD
TBX-1-4501-1OL	X				SWOL EXAMINED PER RELIEF REQ.
TBX-1-4501-2OL	X				SWOL EXAMINED PER RELIEF REQ.
TBX-1-4501-11				X	NOT SELECTED FOR RI-ISI
TBX-1-4501-12				X	SWOL APPLIED TO THIS WELD
TBX-1-4501-13				X	SWOL APPLIED TO THIS WELD
TBX-1-4501-12OL	X				SWOL EXAMINED PER RELIEF REQ.
TBX-1-4501-13OL	X				SWOL EXAMINED PER RELIEF REQ.
TBX-1-4501-23				X	SWOL APPLIED TO THIS WELD
TBX-1-4501-24				X	SWOL APPLIED TO THIS WELD
TBX-1-4501-23OL	X				SWOL EXAMINED PER RELIEF REQ.
TBX-1-4501-24OL	X				SWOL EXAMINED PER RELIEF REQ.
TBX-1-4501-30				X	NOT SELECTED FOR RI-ISI
TBX-1-4501-34				X	NOT SELECTED FOR RI-ISI
TBX-1-4502-1				X	SWOL APPLIED TO THIS WELD
TBX-1-4502-2				X	SWOL APPLIED TO THIS WELD
TBX-1-4502-1OL	X				SWOL EXAMINED PER RELIEF REQ.
TBX-1-4502-2OL	X				SWOL EXAMINED PER RELIEF REQ.
TBX-1-4502-19				X	NOT SELECTED FOR RI-ISI
TBX-1-4502-29				X	NOT SELECTED FOR RI-ISI
TBX-1-4502-30				X	NOT SELECTED FOR RI-ISI
TBX-1-4503-10	X				ADDED FOR RI-ISI
TBX-1-4503-11	X				ADDED FOR RI-ISI
TBX-1-4503-18				X	NOT SELECTED FOR RI-ISI
TBX-1-4503-19				X	NOT SELECTED FOR RI-ISI
TBX-1-4503-26				X	NOT SELECTED FOR RI-ISI
TBX-1-4503-27				X	NOT SELECTED FOR RI-ISI
TBX-1-4503-28				X	NOT SELECTED FOR RI-ISI
TBX-1-4503-29				X	NOT SELECTED FOR RI-ISI
TBX-1-4503-30				X	SWOL APPLIED TO THIS WELD
TBX-1-4503-31				X	SWOL APPLIED TO THIS WELD
TBX-1-4503-30OL	X				SWOL EXAMINED PER RELIEF REQ.
TBX-1-4503-31OL	X				SWOL EXAMINED PER RELIEF REQ.
TBX-1-4502-10				X	NOT SELECTED FOR RI-ISI
TBX-1-4502-11				X	NOT SELECTED FOR RI-ISI
TBX-1-4504-12	X				ADDED FOR RI-ISI
TBX-1-4504-18	X				ADDED FOR RI-ISI

**COMANCHE PEAK NUCLEAR POWER PLANT
UNIT NO. 1 – SECOND INTERVAL
ASME SECTION XI
INSERVICE INSPECTION PROGRAM PLAN**

CLASS 1					
WELD / COMPONENT NUMBER	ADDED	DELETED	REPLACED	NOT EXAMINED	REMARKS
TBX-1-4504-25	X				ADDED FOR RI-ISI
TBX-1-4504-22				X	NOT SELECTED FOR RI-ISI
TBX-1-4504-23				X	NOT SELECTED FOR RI-ISI
TBX-1-4505-1				X	NOT SELECTED FOR RI-ISI
TBX-1-4505-5				X	NOT SELECTED FOR RI-ISI
TBX-1-4505-6				X	NOT SELECTED FOR RI-ISI
TBX-1-4505-4	X				ADDED FOR RI-ISI
TBX-1-4505-29				X	NOT SELECTED FOR RI-ISI
TBX-1-4600-4	X				ADDED FOR RI-ISI
TBX-1-4600-5	X				ADDED FOR RI-ISI
TBX-1-4600-7	X				ADDED FOR RI-ISI
TBX-1-4600-9	X				ADDED FOR RI-ISI
TBX-1-4600-12				X	NOT SELECTED FOR RI-ISI
TBX-1-4600-16				X	NOT SELECTED FOR RI-ISI
TBX-1-4600-18				X	NOT SELECTED FOR RI-ISI
TBX-1-4600-19				X	NOT SELECTED FOR RI-ISI
TBX-1-4600-20				X	NOT SELECTED FOR RI-ISI
TBX-1-4600-14	X				ADDED FOR RI-ISI
TBX-1-4600-15	X				ADDED FOR RI-ISI
TBX-1-5100A-2FW1-24		X			BOLTS REPLACED STUDS AND NUTS
TBX-1-5100C-2-CASING				X	REQUIRES DISASSEMBLY OF PUMP
TBX-1-4503-H33				X	REPLACED BY TBX-1-4503-H31
TBX-1-4503-H31	X				ADDED TO REPLACE TBX-1-4503-H33
TBX-1-4503-H26	X				ADDED IN 1RF09
TBX-1-1100-RVS1				X	BENEATH RV. NOT ACCESSIBLE
TBX-1-1100-RVS2				X	BENEATH RV. NOT ACCESSIBLE
TBX-1-1100-RVS3				X	BENEATH RV. NOT ACCESSIBLE
TBX-1-1100-RVS4				X	BENEATH RV. NOT ACCESSIBLE
TBX-1-3100-3SN1				X	HYDRAULIC SNUBBER REMOVED 2RF12
TBX-1-3100-3SN2				X	HYDRAULIC SNUBBER REMOVED 2RF12

**COMANCHE PEAK NUCLEAR POWER PLANT
UNIT NO. 1 – SECOND INTERVAL
ASME SECTION XI
INSERVICE INSPECTION PROGRAM PLAN**

CLASS 2					
WELD / COMPONENT NUMBER	ADDED	DELETED	REPLACED	NOT EXAMINED	REMARKS
TBX-2-1100-3-2		X			DELETED DUE TO SGR IN 2RF12
TBX-2-1100-3-3		X			DELETED DUE TO SGR IN 2RF12
TBX-2-1100-3-5		X			DELETED DUE TO SGR IN 2RF12
TBX-2-1100-3-6		X			DELETED DUE TO SGR IN 2RF12
TBX-2-1100-3-8		X			DELETED DUE TO SGR IN 2RF12
TBX-2-1100-3-9		X			DELETED DUE TO SGR IN 2RF12
TBX-2-1100-3-9IR		X			DELETED DUE TO SGR IN 2RF12
TBX-2-1100-3-10		X			DELETED DUE TO SGR IN 2RF12
TBX-2-1100-3-11		X			DELETED DUE TO SGR IN 2RF12
TBX-2-1100-3-2NSG	X				ADDED DUE TO NEW SG IN 2RF12
TBX-2-1100-3-7NSG	X				ADDED DUE TO NEW SG IN 2RF12
TBX-2-1100-3-9NSG	X				ADDED DUE TO NEW SG IN 2RF12
TBX-2-1100-3-9IRNSG	X				ADDED DUE TO NEW SG IN 2RF12
TBX-2-1100-3-10NSG	X				ADDED DUE TO NEW SG IN 2RF12
TBX-2-2100-23				X	NOT SELECTED FOR RI-ISI
TBX-2-2100-37				X	NOT SELECTED FOR RI-ISI
TBX-2-2101-1		X		X	SGR 2RF12 / NOT SELECTED FOR RI-ISI
TBX-2-2101-2		X		X	SGR 2RF12 / NOT SELECTED FOR RI-ISI
TBX-2-2101-12				X	NOT SELECTED FOR RI-ISI
TBX-2-2102-14	X				ADDED FOR RI-ISI
TBX-2-2102-15	X				ADDED FOR RI-ISI
TBX-2-2102-16	X				ADDED FOR RI-ISI
TBX-2-2102-27				X	NOT SELECTED FOR RI-ISI
TBX-2-2102-54		X		X	SGR 2RF12 / NOT SELECTED FOR RI-ISI
TBX-2-2102-55		X		X	SGR 2RF12 / NOT SELECTED FOR RI-ISI
TBX-2-2102-62		X		X	SGR 2RF12 / NOT SELECTED FOR RI-ISI
TBX-2-2102-64		X		X	SGR 2RF12 / NOT SELECTED FOR RI-ISI
TBX-2-2200-14				X	NOT SELECTED FOR RI-ISI
TBX-2-2200-17				X	NOT SELECTED FOR RI-ISI
TBX-2-2200-25				X	NOT SELECTED FOR RI-ISI
TBX-2-2200-32				X	NOT SELECTED FOR RI-ISI
TBX-2-2201-1		X		X	SGR 2RF12 / NOT SELECTED FOR RI-ISI
TBX-2-2201-2		X		X	SGR 2RF12 / NOT SELECTED FOR RI-ISI
TBX-2-2201-34				X	NOT SELECTED FOR RI-ISI
TBX-2-2202-9		X		X	SGR 2RF12 / NOT SELECTED FOR RI-ISI
TBX-2-2202-FW-193		X	X		SGR 2RF12 / REPLACED BY FW-197
TBX-2-2202-23	X				ADDED FOR RI-ISI
TBX-2-2202-24	X				ADDED FOR RI-ISI
TBX-2-2202-25	X				ADDED FOR RI-ISI
TBX-2-2202-27				X	NOT SELECTED FOR RI-ISI
TBX-2-2202-67		X		X	SGR 2RF12 / NOT SELECTED FOR RI-ISI
TBX-2-2202-68		X		X	SGR 2RF12 / NOT SELECTED FOR RI-ISI
TBX-2-2202-80		X		X	SGR 2RF12 / NOT SELECTED FOR RI-ISI
TBX-2-2202-81		X		X	SGR 2RF12 / NOT SELECTED FOR RI-ISI

**COMANCHE PEAK NUCLEAR POWER PLANT
UNIT NO. 1 – SECOND INTERVAL
ASME SECTION XI
INSERVICE INSPECTION PROGRAM PLAN**

CLASS 2					
WELD / COMPONENT NUMBER	ADDED	DELETED	REPLACED	NOT EXAMINED	REMARKS
TBX-2-2300-1		X		X	SGR 2RF12 / NOT SELECTED FOR RI-ISI
TBX-2-2300-24				X	NOT SELECTED FOR RI-ISI
TBX-2-2300-26				X	NOT SELECTED FOR RI-ISI
TBX-2-2301-2		X		X	SGR 2RF12 / NOT SELECTED FOR RI-ISI
TBX-2-2202-FW-197	X				REPLACED TBX-2-2202-FW-193
TBX-2-2301-23				X	NOT SELECTED FOR RI-ISI
TBX-2-2302-9				X	NOT SELECTED FOR RI-ISI
TBX-2-2302-27				X	NOT SELECTED FOR RI-ISI
TBX-2-2302-67				X	NOT SELECTED FOR RI-ISI
TBX-2-2302-68				X	NOT SELECTED FOR RI-ISI
TBX-2-2302-69				X	NOT SELECTED FOR RI-ISI
TBX-2-2302-23	X				ADDED FOR RI-ISI
TBX-2-2302-24	X				ADDED FOR RI-ISI
TBX-2-2302-25	X				ADDED FOR RI-ISI
TBX-2-2302-70				X	NOT SELECTED FOR RI-ISI
TBX-2-2302-81				X	NOT SELECTED FOR RI-ISI
TBX-2-2400-17				X	NOT SELECTED FOR RI-ISI
TBX-2-2400-26				X	NOT SELECTED FOR RI-ISI
TBX-2-2400-29				X	NOT SELECTED FOR RI-ISI
TBX-2-2401-1				X	NOT SELECTED FOR RI-ISI
TBX-2-2401-2				X	NOT SELECTED FOR RI-ISI
TBX-2-2401-10				X	NOT SELECTED FOR RI-ISI
TBX-2-2401-18				X	NOT SELECTED FOR RI-ISI
TBX-2-2402-23	X				ADDED FOR RI-ISI
TBX-2-2402-24	X				ADDED FOR RI-ISI
TBX-2-2402-25	X				ADDED FOR RI-ISI
TBX-2-2402-33	X				ADDED FOR RI-ISI
TBX-2-2402-27				X	NOT SELECTED FOR RI-ISI
TBX-2-2402-34				X	NOT SELECTED FOR RI-ISI
TBX-2-2402-55				X	NOT SELECTED FOR RI-ISI
TBX-2-2402-56				X	NOT SELECTED FOR RI-ISI
TBX-2-2402-58				X	NOT SELECTED FOR RI-ISI
TBX-2-2402-61				X	NOT SELECTED FOR RI-ISI
TBX-2-2402-64				X	NOT SELECTED FOR RI-ISI
TBX-2-2500-2	X				ADDED FOR RI-ISI
TBX-2-2500-3				X	NOT SELECTED FOR RI-ISI
TBX-2-2500-11				X	NOT SELECTED FOR RI-ISI
TBX-2-2500-12				X	NOT SELECTED FOR RI-ISI
TBX-2-2500-33				X	NOT SELECTED FOR RI-ISI
TBX-2-2500-35				X	NOT SELECTED FOR RI-ISI
TBX-2-2500-42	X				ADDED FOR RI-ISI
TBX-2-2501-3				X	NOT SELECTED FOR RI-ISI
TBX-2-2501-11				X	NOT SELECTED FOR RI-ISI
TBX-2-2501-12				X	NOT SELECTED FOR RI-ISI

**COMANCHE PEAK NUCLEAR POWER PLANT
UNIT NO. 1 – SECOND INTERVAL
ASME SECTION XI
INSERVICE INSPECTION PROGRAM PLAN**

CLASS 2					
WELD / COMPONENT NUMBER	ADDED	DELETED	REPLACED	NOT EXAMINED	REMARKS
TBX-2-2501-20				X	NOT SELECTED FOR RI-ISI
TBX-2-2501-21				X	NOT SELECTED FOR RI-ISI
TBX-2-2501-22				X	NOT SELECTED FOR RI-ISI
TBX-2-2501-24				X	NOT SELECTED FOR RI-ISI
TBX-2-2501-26				X	NOT SELECTED FOR RI-ISI
TBX-2-2501-27				X	NOT SELECTED FOR RI-ISI
TBX-2-2501-29				X	NOT SELECTED FOR RI-ISI
TBX-2-2501-34				X	NOT SELECTED FOR RI-ISI
TBX-2-2520-8	X				ADDED FOR RI-ISI
TBX-2-2520-22	X				ADDED FOR RI-ISI
TBX-2-2520-23	X				ADDED FOR RI-ISI
TBX-2-2520-24				X	NOT SELECTED FOR RI-ISI
TBX-2-2520-33	X				ADDED FOR RI-ISI
TBX-2-2520-57	X				ADDED FOR RI-ISI
TBX-2-2520-58	X				ADDED FOR RI-ISI
TBX-2-2520-59	X				ADDED FOR RI-ISI
TBX-2-2521-2	X				REPLACES WELD TBX-2-2521-8
TBX-2-2521-3	X				REPLACES WELD TBX-2-2521-9
TBX-2-2521-4	X				ADDED FOR RI-ISI
TBX-2-2521-5	X				ADDED FOR RI-ISI
TBX-2-2521-50	X				ADDED FOR RI-ISI
TBX-2-2521-51	X				ADDED FOR RI-ISI
TBX-2-2521-52	X				ADDED FOR RI-ISI
TBX-2-2521-53	X				ADDED FOR RI-ISI
TBX-2-2530-29				X	NOT SELECTED FOR RI-ISI
TBX-2-2530-30				X	NOT SELECTED FOR RI-ISI
TBX-2-2530-34	X				ADDED FOR RI-ISI
TBX-2-2530-35	X				ADDED FOR RI-ISI
TBX-2-2530-36	X				ADDED FOR RI-ISI
TBX-2-2531-14	X				ADDED FOR RI-ISI
TBX-2-2531-15	X				ADDED FOR RI-ISI
TBX-2-2532-5	X				ADDED FOR RI-ISI
TBX-2-2532-15	X				ADDED FOR RI-ISI
TBX-2-2532-16	X				ADDED FOR RI-ISI
TBX-2-2532-34	X				ADDED FOR RI-ISI
TBX-2532-35	X				ADDED FOR RI-ISI
TBX-2532-36	X				ADDED FOR RI-ISI
TBX-2-2533-2	X				ADDED FOR RI-ISI
TBX-2-2533-4				X	NOT SELECTED FOR RI-ISI
TBX-2-2533-5				X	NOT SELECTED FOR RI-ISI
TBX-2-2533-6				X	NOT SELECTED FOR RI-ISI
TBX-2-2533-8	X				ADDED FOR RI-ISI
TBX-2-2533-9	X				ADDED FOR RI-ISI
TBX-2-2534-1				X	NOT SELECTED FOR RI-ISI

**COMANCHE PEAK NUCLEAR POWER PLANT
UNIT NO. 1 – SECOND INTERVAL
ASME SECTION XI
INSERVICE INSPECTION PROGRAM PLAN**

CLASS 2					
WELD / COMPONENT NUMBER	ADDED	DELETED	REPLACED	NOT EXAMINED	REMARKS
TBX-2-2534-2	X				ADDED FOR RI-ISI
TBX-2-2534-4				X	NOT SELECTED FOR RI-ISI
TBX-2-2534-5				X	NOT SELECTED FOR RI-ISI
TBX-2-2534-7				X	NOT SELECTED FOR RI-ISI
TBX-2-2534-8				X	NOT SELECTED FOR RI-ISI
TBX-2-2534-12				X	NOT SELECTED FOR RI-ISI
TBX-2-2534-13				X	NOT SELECTED FOR RI-ISI
TBX-2-2534-21				X	NOT SELECTED FOR RI-ISI
TBX-2-2534-22				X	NOT SELECTED FOR RI-ISI
TBX-2-2535-17				X	NOT SELECTED FOR RI-ISI
TBX-2-2536-9				X	NOT SELECTED FOR RI-ISI
TBX-2-2537-5				X	NOT SELECTED FOR RI-ISI
TBX-2-2537-6				X	NOT SELECTED FOR RI-ISI
TBX-2-2538-30				X	NOT SELECTED FOR RI-ISI
TBX-2-2538-31				X	NOT SELECTED FOR RI-ISI
TBX-2-2538-32				X	NOT SELECTED FOR RI-ISI
TBX-2-2540-20	X				ADDED FOR RI-ISI, EXAMINED, THEN REMOVED DUE TO PRA UPDATE
TBX-2-2540-21	X				ADDED FOR RI-ISI, EXAMINED, THEN REMOVED DUE TO PRA UPDATE
TBX-2-2540-22	X				ADDED FOR RI-ISI, EXAMINED, THEN REMOVED DUE TO PRA UPDATE
TBX-2-2540-23	X				ADDED FOR RI-ISI, EXAMINED, THEN REMOVED DUE TO PRA UPDATE
TBX-2-2540-24	X				ADDED FOR RI-ISI, EXAMINED, THEN REMOVED DUE TO PRA UPDATE
TBX-2-2540-26	X				ADDED FOR RI-ISI, EXAMINED, THEN REMOVED DUE TO PRA UPDATE
TBX-2-2541-2	X				ADDED FOR RI-ISI
TBX-2-2541-3	X				ADDED FOR RI-ISI
TBX-2-2541-8	X				ADDED FOR RI-ISI
TBX-2-2541-9	X				ADDED FOR RI-ISI
TBX-2-2541-23	X				ADDED FOR RI-ISI
TBX-2-2541-24	X				ADDED FOR RI-ISI
TBX-2-2542-2	X				ADDED FOR RI-ISI
TBX-2-2542-3	X				ADDED FOR RI-ISI
TBX-2-2542-8	X				ADDED FOR RI-ISI
TBX-2-2542-9	X				ADDED FOR RI-ISI
TBX-2-2542-10	X				ADDED FOR RI-ISI, EXAMINED, THEN REMOVED DUE TO PRA UPDATE
TBX-2-2550-8	X				ADDED FOR RI-ISI, EXAMINED, THEN REMOVED DUE TO PRA UPDATE
TBX-2-2550-9	X				ADDED FOR RI-ISI, EXAMINED, THEN REMOVED DUE TO PRA UPDATE

**COMANCHE PEAK NUCLEAR POWER PLANT
UNIT NO. 1 – SECOND INTERVAL
ASME SECTION XI
INSERVICE INSPECTION PROGRAM PLAN**

CLASS 2					
WELD / COMPONENT NUMBER	ADDED	DELETED	REPLACED	NOT EXAMINED	REMARKS
TBX-2-2550-10	X				ADDED FOR RI-ISI, EXAMINED, THEN REMOVED DUE TO PRA UPDATE
TBX-2-2550-11	X				ADDED FOR RI-ISI, EXAMINED, THEN REMOVED DUE TO PRA UPDATE
TBX-2-2550-12	X				ADDED FOR RI-ISI, EXAMINED, THEN REMOVED DUE TO PRA UPDATE
TBX-2-2560-33				X	NOT SELECTED FOR RI-ISI
TBX-2-2560-34				X	NOT SELECTED FOR RI-ISI
TBX-2-2561-10				X	NOT SELECTED FOR RI-ISI
TBX-2-2561-11				X	NOT SELECTED FOR RI-ISI
TBX-2-2561-30				X	NOT SELECTED FOR RI-ISI
TBX-2-2562-4				X	NOT SELECTED FOR RI-ISI
TBX-2-2563-1				X	NOT SELECTED FOR RI-ISI
TBX-2-2563-2				X	NOT SELECTED FOR RI-ISI
TBX-2-2563-3				X	NOT SELECTED FOR RI-ISI
TBX-2-2563-4				X	NOT SELECTED FOR RI-ISI
TBX-2-2564-3				X	NOT SELECTED FOR RI-ISI
TBX-2-2564-4				X	NOT SELECTED FOR RI-ISI
TBX-2-2564-42				X	NOT SELECTED FOR RI-ISI
TBX-2-2564-45				X	NOT SELECTED FOR RI-ISI
TBX-2-2565-36				X	NOT SELECTED FOR RI-ISI
TBX-2-2564-33	X				ADDED FOR RI-ISI, EXAMINED, THEN REMOVED DUE TO PRA UPDATE
TBX-2-2566A-2				X	NOT SELECTED FOR RI-ISI
TBX-2-2566A-3				X	NOT SELECTED FOR RI-ISI
TBX-2-2566-25				X	NOT SELECTED FOR RI-ISI
TBX-2-2566-35				X	NOT SELECTED FOR RI-ISI
TBX-2-2566-36				X	NOT SELECTED FOR RI-ISI
TBX-2-2566A-43				X	NOT SELECTED FOR RI-ISI
TBX-2-2566A-44				X	NOT SELECTED FOR RI-ISI
TBX-2-2566-76				X	NOT SELECTED FOR RI-ISI
TBX-2-2567-50				X	NOT SELECTED FOR RI-ISI
TBX-2-2567-51				X	NOT SELECTED FOR RI-ISI
TBX-2-2568-24				X	NOT SELECTED FOR RI-ISI
TBX-2-2568-30				X	NOT SELECTED FOR RI-ISI
TBX-2-2568-31				X	NOT SELECTED FOR RI-ISI
TBX-2-2568-32				X	NOT SELECTED FOR RI-ISI
TBX-2-2569-5				X	NOT SELECTED FOR RI-ISI
TBX-2-2569-6	X				ADDED FOR RI-ISI, EXAMINED, THEN REMOVED DUE TO PRA UPDATE
TBX-2-2569-7	X				ADDED FOR RI-ISI, EXAMINED, THEN REMOVED DUE TO PRA UPDATE
TBX-2-2569-17	X				ADDED FOR RI-ISI, EXAMINED, THEN REMOVED DUE TO PRA UPDATE

**COMANCHE PEAK NUCLEAR POWER PLANT
UNIT NO. 1 – SECOND INTERVAL
ASME SECTION XI
INSERVICE INSPECTION PROGRAM PLAN**

CLASS 2					
WELD / COMPONENT NUMBER	ADDED	DELETED	REPLACED	NOT EXAMINED	REMARKS
TBX-2-2569-18	X				ADDED FOR RI-ISI, EXAMINED, THEN REMOVED DUE TO PRA UPDATE
TBX-2-2569-23	X				ADDED FOR RI-ISI, EXAMINED, THEN REMOVED DUE TO PRA UPDATE
TBX-2-2569-25	X				ADDED FOR RI-ISI, EXAMINED, THEN REMOVED DUE TO PRA UPDATE
TBX-2-2569-26	X				ADDED FOR RI-ISI, EXAMINED, THEN REMOVED DUE TO PRA UPDATE
TBX-2-2569-29	X				ADDED FOR RI-ISI, EXAMINED, THEN REMOVED DUE TO PRA UPDATE
TBX-2-2569-44				X	NOT SELECTED FOR RI-ISI
TBX-2-2569-46				X	NOT SELECTED FOR RI-ISI
TBX-2-2569-47				X	NOT SELECTED FOR RI-ISI
TBX-2-2570-2				X	NOT SELECTED FOR RI-ISI
TBX-2-2570-4				X	NOT SELECTED FOR RI-ISI
TBX-2-2570-5				X	NOT SELECTED FOR RI-ISI
TBX-2-2570-6	X				ADDED FOR RI-ISI, EXAMINED, THEN REMOVED DUE TO PRA UPDATE
TBX-2-2570-7	X				ADDED FOR RI-ISI, EXAMINED, THEN REMOVED DUE TO PRA UPDATE
TBX-2-2570-8	X				ADDED FOR RI-ISI, EXAMINED, THEN REMOVED DUE TO PRA UPDATE
TBX-2-2570-12	X				ADDED FOR RI-ISI, EXAMINED, THEN REMOVED DUE TO PRA UPDATE
TBX-2-2570-17				X	NOT SELECTED FOR RI-ISI
TBX-2-2570-20				X	NOT SELECTED FOR RI-ISI
TBX-2-2570-21				X	NOT SELECTED FOR RI-ISI
TBX-2-2570-39				X	NOT SELECTED FOR RI-ISI
TBX-2-2570-40				X	NOT SELECTED FOR RI-ISI
TBX-2-2570-41				X	NOT SELECTED FOR RI-ISI
TBX-2-2571-16				X	NOT SELECTED FOR RI-ISI
TBX-2-2571-17				X	NOT SELECTED FOR RI-ISI
TBX-2-2571-19				X	NOT SELECTED FOR RI-ISI
TBX-2-2571-20				X	NOT SELECTED FOR RI-ISI
TBX-2-2572-13				X	NOT SELECTED FOR RI-ISI
TBX-2-2573-1				X	NOT SELECTED FOR RI-ISI
TBX-2-2574-9				X	NOT SELECTED FOR RI-ISI
TBX-2-2574-10				X	NOT SELECTED FOR RI-ISI
TBX-2-2574-11				X	NOT SELECTED FOR RI-ISI
TBX-2-2575-18				X	NOT SELECTED FOR RI-ISI
TBX-2-2575-19				X	NOT SELECTED FOR RI-ISI
TBX-2-2575-20				X	NOT SELECTED FOR RI-ISI
TBX-2-2576-6				X	NOT SELECTED FOR RI-ISI

**COMANCHE PEAK NUCLEAR POWER PLANT
UNIT NO. 1 – SECOND INTERVAL
ASME SECTION XI
INSERVICE INSPECTION PROGRAM PLAN**

CLASS 2					
WELD / COMPONENT NUMBER	ADDED	DELETED	REPLACED	NOT EXAMINED	REMARKS
TBX-2-2576-7				X	NOT SELECTED FOR RI-ISI
TBX-2-2576-30				X	NOT SELECTED FOR RI-ISI
TBX-2-2576-31				X	NOT SELECTED FOR RI-ISI
TBX-2-2578-15				X	NOT SELECTED FOR RI-ISI
TBX-2-2578-16				X	NOT SELECTED FOR RI-ISI
TBX-2-2578-17				X	NOT SELECTED FOR RI-ISI
TBX-2-2578-33				X	NOT SELECTED FOR RI-ISI
TBX-2-2578-34				X	NOT SELECTED FOR RI-ISI
TBX-2-2580-3				X	NOT SELECTED FOR RI-ISI
TBX-2-2580-16				X	NOT SELECTED FOR RI-ISI
TBX-2-2580-17				X	NOT SELECTED FOR RI-ISI
TBX-2-2581-4				X	NOT SELECTED FOR RI-ISI
TBX-2-2581-15	X				ADDED FOR RI-ISI
TBX-2-2581-16	X				ADDED FOR RI-ISI
TBX-2-2581-23				X	NOT SELECTED FOR RI-ISI
TBX-2-2581-24				X	NOT SELECTED FOR RI-ISI
TBX-2-2582-1				X	NOT SELECTED FOR RI-ISI
TBX-2-2582-6				X	NOT SELECTED FOR RI-ISI
TBX-2-2582-7				X	NOT SELECTED FOR RI-ISI
TBX-2-2582-18				X	NOT SELECTED FOR RI-ISI
TBX-2-2583-38				X	NOT SELECTED FOR RI-ISI
TBX-2-2583-39				X	NOT SELECTED FOR RI-ISI
TBX-2-3140-1B1-32	X				REPLACED TBX-2-3140-2B1-32
TBX-2-3140-2B1-32			X		REPLACED BY TBX-2-3140-1B1-32
TBX-2-2301-H30	X				ADDED DUE TO NEW SG IN 2RF12
TBX-2-2301-H31	X				ADDED DUE TO NEW SG IN 2RF12
TBX-2-2101-H11	X				ADDED DUE TO NEW SG IN 2RF12
TBX-2-2101-H12	X				ADDED DUE TO NEW SG IN 2RF12
TBX-2-2401-H14	X				ADDED DUE TO NEW SG IN 2RF12
TBX-2-2401-H15	X				ADDED DUE TO NEW SG IN 2RF12
TBX-2-2402-H2		X			DELETED DUE TO SGR IN 2RF12
TBX-2-2202-H55 (VT-3)		X			DELETED DUE TO SGR IN 2RF12
TBX-2-2202-H55 (MT)		X			DELETED DUE TO SGR IN 2RF12
TBX-2-2202-H38 (VT-3)			X		REPLACED BY TBX-2-2100-H11
TBX-2-2202-H38 (MT)			X		REPLACED BY TBX-2-2100-H11
TBX-2-2302-H57 (VT-3)		X			DELETED DUE TO SGR IN 2RF12
TBX-2-2302-H57 (MT)		X			DELETED DUE TO SGR IN 2RF12
TBX-2-2202-H57		X			DELETED DUE TO SGR IN 2RF12
TBX-2-2202-H60 (VT-3)		X			DELETED DUE TO SGR IN 2RF12
TBX-2-2202-H60 (MT)		X			DELETED DUE TO SGR IN 2RF12
TBX-2-2202-H65 (VT-3)		X			DELETED DUE TO SGR IN 2RF12
TBX-2-2202-H65 (MT)		X			DELETED DUE TO SGR IN 2RF12
TBX-2-2302-H58 (VT-3)		X			DELETED DUE TO SGR IN 2RF12

**COMANCHE PEAK NUCLEAR POWER PLANT
UNIT NO. 1 – SECOND INTERVAL
ASME SECTION XI
INSERVICE INSPECTION PROGRAM PLAN**

CLASS 2					
WELD / COMPONENT NUMBER	ADDED	DELETED	REPLACED	NOT EXAMINED	REMARKS
TBX-2-2302-H58 (MT)		X			DELETED DUE TO SGR IN 2RF12
TBX-2-2302-H65 (VT-3)		X			DELETED DUE TO SGR IN 2RF12
TBX-2-2302-H65 (MT)		X			DELETED DUE TO SGR IN 2RF12
TBX-2-2200-H9 (MT)				X	PIPE CLAMP. NOT EXAMINED
TBX-2-2100-H11	X				ADDED TO REPLACE TBX-2-2202-H38
TBX-2-2100-H11-WA	X				ADDED TO REPLACE TBX-2-2202-H38
AF-1-SB-026B-36	X				ADDED FOR RI-ISI
AF-1-SB-026B-41	X				ADDED FOR RI-ISI
AF-1-SB-026B-42	X				ADDED FOR RI-ISI
AF-1-SB-029C-2	X				ADDED FOR RI-ISI
AF-1-SB-029C-3B	X				ADDED FOR RI-ISI
AF-1-SB-025-39	X				ADDED FOR RI-ISI
AF-1-SB-028-27	X				ADDED FOR RI-ISI
AF-1-SB-028-28	X				ADDED FOR RI-ISI
AF-1-SB-027B-29	X				ADDED FOR RI-ISI
AF-1-SB-025-38	X				ADDED FOR RI-ISI
AF-1-SB-027B-32	X				ADDED FOR RI-ISI
AF-1-SB-027B-53A	X				ADDED FOR RI-ISI
AF-1-SB-027B-54	X				ADDED FOR RI-ISI

CLASS 3					
WELD / COMPONENT NUMBER	ADDED	DELETED	REPLACED	NOT EXAMINED	REMARKS
AF-1-SB-024A-H3			X		REPLACED BY AF-1-SB-024A-H1
AF-1-SB-024A-H1	X				REPLACED AF-1-SB-024A-H3
CC-1-AB-003-H1			X		REPLACED BY CC-1-AB-003-H2
CC-1-AB-003-H1-WA			X		REPLACED BY CC-1-AB-003-H2-WA
CC-1-AB-003-H2	X				REPLACED CC-1-AB-003-H1
CC-1-AB-003-H2-WA	X				REPLACED CC-1-AB-003-H1-WA
CC-1-AB-004-H6-WA					TYPO CC-1-AB-004-H1-WA EXAMINED
CC-1-AB-004-H7					TYPO CC-1-AB-004-H3-WA EXAMINED
CC-1-RB-047-H1		X			ABBANDONED SUPPORT
CC-1-RB-047-H1-WA		X			ABBANDONED SUPPORT
SW-1-SI-003-1PS1				X	NOT ACCESSIBLE, UNDER WATER
SW-1-SI-003-1PS2				X	NOT ACCESSIBLE, UNDER WATER
SW-1-SI-003-1PS3				X	NOT ACCESSIBLE, UNDER WATER
SW-1-SI-003-1PS2-WA	X				TOOK ADVANTAGE OF AVAILABILITY
SW-1-SI-003-1PS3-WA	X				TOOK ADVANTAGE OF AVAILABILITY

COMANCHE PEAK UNIT 1
 INSERVICE INSPECTION SUMMARY FOR THE SECOND INTERVAL
 SECTION XI SUMMARY

CATEGORY	NUMBER OF COMPONENTS	COMPONENTS REQUIRED	(SCHEDULED / COMPLETED / PERCENTAGE OF REQUIREMENT)								
			FIRST PERIOD			SECOND PERIOD			THIRD PERIOD		
B-A	24	1	0	1	4%	0	0	4%	0	0	100%
B-B	8	7	0	2	25%	0	2	50%	0	3	100%
B-D	36	16	0	12	33%	0	2	47%	0	2	100%
B-F	10	4	0	4	100%	0	0	100%	0	0	100%
B-G-1	175	165	0	0	0%	0	162	98%	0	3	100%
B-G-2	69	30	0	10	33%	0	8	63%	0	12	100%
B-J	772	30	0	18	60%	0	12	100%	0	0	100%
B-K	14	14	0	4	28%	0	4	57%	0	6	100%
B-L-1	4	1	0	0	0%	0	0	0%	0	1	100%
B-L-2	4	0	0	0	0%	0	0	0%	0	1	100%
B-M-2	25	1	0	1	25%	0	0	100%	0	0	100%
B-N-1	1	3	0	1	33%	0	1	66%	0	1	100%
B-N-2	1	1	0	0	0%	0	0	0%	0	1	100%
B-N-3	2	2	0	0	0%	0	1	50%	0	1	100%
B-O	25	2	0	1	25%	0	0	25%	0	1	100%
C-A	19	15	0	5	26%	0	6	58%	0	4	100%
C-B	8	8	0	2	25%	0	2	50%	0	4	100%
C-C	101	92	0	25	24%	0	37	61%	0	30	100%
C-D	1	1	0	0	0%	0	0	0%	0	1	100%
C-F-1	1688	17	0	11	64%	0	6	100%	0	0	100%
C-F-2	683	1	0	1	100%	0	0	100%	0	0	100%
C-G	29	6	0	2	33%	0	2	66%	0	2	100%
D-A	172	172	0	37	21%	0	77	67%	0	58	100%
F-A (1)	256	61	0	0	0%	0	33	53%	0	28	100%
F-A (2)	696	105	0	0	0%	0	41	39%	0	64	100%
F-A (3)	1092	130	0	0	0%	0	64	48%	0	66	100%
F-A (NPS)	85	43	0	0	0%	0	37	75%	0	6	100%
F-B	201	139	0	38	27%	0	14	100%	0	0	100%
F-C	2020	442	0	124	28%	0	59	100%	0	0	100%
R-A	3153	146	0	0	0%	0	26	29%	120	0	100%

NOTE: (1) ITEM F1.10; CLASS 1 PIPING SUPPORTS
 (2) ITEM F1.20; CLASS 2 PIPING SUPPORTS
 (3) ITEM F1.30; CLASS 3 PIPING SUPPORTS
 (NPS) ITEM F1.40; SUPPORTS OTHER THAN PIPING SUPPORTS (CLASS 1, 2, 3 AND MC)

4.0 EXAMINATION TABLES

CPNPP ASME Section XI Inservice Inspection Plan tables 4.1 through 4.3 have been developed and contain the following information:

- a) System Name.
- b) Summary Number - A computer data base assigned sequencing number.
- c) Line Number of Component Number - Example: 6-SI-1-089-2501R-1 or TBX-RCPCR-01.
- d) Weld Number or Pipe Support Number - Example: TCX-1-1100-8 or CC-1-105-012-E33K.
- e) ASME Sec. XI Category and Item Number - Described the Code Examination Tables (IWX-2500-1).
- f) NDE Method - Identifies the examination method(s) as described in section 3 of this plan.
- g) Plan Status - Identifies the inspection interval, period and outage
- h) Year - Example: 83, the year that PSI was performed.
- i) Instructions - Notes applicable to specific inspection requirements*
- j) Calibration Block - Example: TBX-18.
- k) Notes - Applicable to the results of specific outages preceded by the outage year, "84" refers to the baseline outage.

* RI-ISI piping welds are identified here; prior to the Code-Year Edition update and are categorized according to Code Case N-578, which was submitted as part of the relief request for using RI-ISI for selected Class 1 and 2 piping welds. RI-ISI piping welds without any determined degradation mechanism have been assigned a category of R-A, R1.20.

COMANCHE PEAK UNIT 1
INSERVICE INSPECTION PLAN
CLASS 1 COMPONENTS

SUMMARY NUMBER BLOCK**	EXAMINATION AREA IDENTIFICATION	INSPECTION INTERVAL	PLAN STATUS			PRESERVICE YEAR	INSTRUCTIONS
			FIRST PERIOD	SECOND PERIOD	THIRD PERIOD		
	(A)	ASME SEC. XI CATGY NDE ITEM NO METH	1	1	1		**CALIBRATION
			OUTAGE				
			1 1 2 3	1 2	1 2 1		
(B)	(C) (D)	(E)	(F)	(G)	(H)	(I) (J)	
	(K)						

4.1 CLASS 1 NDE

This subsection describes the examination areas and NDE methods for the Class 1 pressure retaining components and associated component integral welded attachments as specified in Article IWB of the Code.

For pressure testing, refer to Section 5 below.

Class 1 valve bodies exceeding 4" NPS have been grouped according to size, constructional design, manufacturing method, and function in accordance with Table IWB-2500-1, Category B-M-2, and Note 3 of the Code. These groups are delineated below. One valve from each group has been selected for examination as denoted by the asterisk "*".

These examinations are only required to be performed if the component is disassembled for maintenance, repair or other testing.

Group 1 - 6" Forged Pressurizer Relief Valves

1-8010A * (reference TBX-1-4501 for location)
1-8010B
1-8010C

Group 2 - 12" Forged Gate Valves Isolating the RC System from the RHR System

1-8701A * (reference TBX-1-4101 for location)
1-8701B
1-8702A
1-8702B

Group 3 - 10" Forged Check Valves Isolating the RC System from the SI System

1-8948A
1-8948B
1-8948C
1-8948D
1-8956A
1-8956B
1-8956C
1-8956D * (reference TBX-1-4301 for location)

Group 4 - 6" Forged Check Valves Isolating the RC System from the SI System

1-8818A

1-8818B

1-8818C

1-8818D

* (reference TBX-1-4203 for location)

1-8949A

1-8949B

1-8949C

1-8949D

1-8841A

1-8841B

COMANCHE PEAK UNIT 1
 INSERVICE INSPECTION PLAN
 CLASS 1 COMPLETED COMPONENTS

SUMMARY EXAMINATION AREA NUMBER IDENTIFICATION	INSPECTION INTERVAL	PLAN STATUS			PRESERVICE YEAR	INSTRUCTIONS
		ASME SEC. XI CATGY NDE ITEM NO METH	FIRST PERIOD	SECOND PERIOD		
			1 2	1 2 3	1 2	**CALIBRATION BLOCK**
<u>REACTOR COOLANT TBX-RCPCRV-01</u>						
001850 TBX-1-1100-LUGS CORE SUPPORT LUGS R155A873RB	B-N-2 VT-3 B13.60	2 - -	- - -	- C	83	6 LUGS. TDLR VERIFICATION BOUNDARY.
002700 TBX-1-1100-LIG RV FLANGE LIGAMENTS (1/54) R157 860RB	B-G-1 UT B6.40	2 - -	- - -	- C	83	TDLR VERIFICATION BOUNDARY. RR A-4. **RV-5**
002800 TBX-1-1200-INT RV INTERNALS (ACCESS DURING REFUELING) R157 860RB	B-N-1 VT-3 B13.10	2 - C	- C -	- C	82	TDLR VERIFICATION BOUNDARY.
002805 TBX-1-1200-CSS RV INT CORE SUP STRUCT (NO ACCESS @ RFO) R157 860RB	B-N-3 VT-3 B13.70	2 - -	- - -	- C	82	TDLR VERIFICATION BOUNDARY.
003100 TBX-1-1300-1 RV CLOSURE HEAD TO FLANGE WELD R155 860RB	B-A UT B1.40 MT	2 - C	- - -	- -	83	TDLR VERIFICATION BOUNDARY. WELDS WAS EXAMINED PRIOR TO INSTALLING A NEW RV HEAD IN 1RF12 PER FDA-2004-002710. **TBX-29**
003700 TBX-1-1300-75 CONOSEAL BOLTING R157 860RB	B-G-2 VT-1 B7.80	2 C -	- - -	- -	84	TDLR VERIFICATION BOUNDARY. DWGS 6139E21 sh 1-5. EXAM COMPLETED PRIOR TO ASME CODE YEAR UPDATE, WHICH DELETED ITEM B7.80. NOT REQ'D FOR 3RD INTERVAL.

COMANCHE PEAK UNIT 1
 INSERVICE INSPECTION PLAN
 CLASS 1 COMPLETED COMPONENTS

SUMMARY EXAMINATION AREA	INSPECTION INTERVAL	PLAN STATUS			PRESERVICE YEAR	INSTRUCTIONS
		ASME	FIRST PERIOD	SECOND PERIOD		
NUMBER IDENTIFICATION	CATGY NDE	O U T A G E				
	ITEM NO METH	1 2	1 2 3	1 2		**CALIBRATION BLOCK**

REACTOR COOLANT TBX-RCPCRV-01

003800	TBX-1-1300-76 CONOSEAL BOLTING R157 860RB	B-G-2 VT-1 B7.80	2 C -	- - -	- -	84	TDLR VERIFICATION BOUNDARY. DWGS 6139E21 sh 1-5. EXAM COMPLETED PRIOR TO ASME CODE YEAR UPDATE, WHICH DELETED ITEM B7.80. NOT REQ'D FOR 3RD INTERVAL.
003900	TBX-1-1300-77 CONOSEAL BOLTING R157 860RB	B-G-2 VT-1 B7.80	2 C -	- - -	- -	84	TDLR VERIFICATION BOUNDARY. DWGS 6139E21 sh 1-5. EXAM COMPLETED PRIOR TO ASME CODE YEAR UPDATE, WHICH DELETED ITEM B7.80 FROM ASME SECTION XI CODE. NOT REQ'D FOR 3RD INTERVAL.
004000	TBX-1-1300-78 CONOSEAL BOLTING R157 860RB	B-G-2 VT-1 B7.80	2 C -	- - -	- -	84	TDLR VERIFICATION BOUNDARY. DWGS 6139E21 sh 1-5. EXAM COMPLETED PRIOR TO ASME CODE YEAR UPDATE, WHICH DELETED ITEM B7.80. EXAM NOT REQUIRED FOR 3RD INTERVAL.
004425	TBX-1-1300A-59NH CONTROL ROD DRIVE	B-O PT B14.10	2 - -	- - -	- C	83	TDLR VERIFICATION BOUNDARY. ADDED IN 1RF14 AND REPLACES TBX-1-1300-78NH WHICH COULD NOT BE EXAMINED BECAUSE OF PROXIMITY TO RVLIS AND HIGH RADIATION
004750	TBX-1-1300A-67 CONTROL ROD DRIVE R155 860RB	B-O PT B14.10	2 - C	- - -	- -	83	TDLR VERIFICATION BOUNDARY. EXAM COMPLETED PRIOR TO INSTALLING NEW RV HEAD PER FDA-2004-002710 IN 1RF12.

COMANCHE PEAK UNIT 1
 INSERVICE INSPECTION PLAN
 CLASS 1 COMPLETED COMPONENTS

SUMMARY EXAMINATION AREA NUMBER IDENTIFICATION	INSPECTION INTERVAL		PLAN STATUS			PRESERVICE YEAR	INSTRUCTIONS
	ASME SEC. XI CATGY NDE ITEM NO METH		FIRST PERIOD	SECOND PERIOD	THIRD PERIOD		
			1 2	1 2 3	1 2		**CALIBRATION BLOCK**
<hr/>							
<u>REACTOR COOLANT TBX-RCPCRV-01</u>							
005400 TBX-1-1400-1 RV STUD	B-G-1 B6.30	UT	2 - -	- - C	- -	82	TDLR VERIFICATION BOUNDARY. RR A-5. **SAP 102924**
005420 TBX-1-1400-2 RV STUD	B-G-1 B6.30	UT	2 - -	- - C	- -	82	TDLR VERIFICATION BOUNDARY. RR A-5. **SAP 102924**
005440 TBX-1-1400-3 RV STUD	B-G-1 B6.30	UT	2 - -	- - C	- -	82	TDLR VERIFICATION BOUNDARY. RR A-5. **SAP 102924**
005460 TBX-1-1400-4 RV STUD	B-G-1 B6.30	UT	2 - -	- - C	- -	82	TDLR VERIFICATION BOUNDARY. RR A-5. **SAP 102924**
005480 TBX-1-1400-5 RV STUD	B-G-1 B6.30	UT	2 - -	- - C	- -	82	TDLR VERIFICATION BOUNDARY. RR A-5. **SAP 102924**
005500 TBX-1-1400-6 RV STUD	B-G-1 B6.30	UT	2 - -	- - C	- -	82	TDLR VERIFICATION BOUNDARY. RR A-5. **SAP 102924**
005520 TBX-1-1400-7 RV STUD	B-G-1 B6.30	UT	2 - -	- - C	- -	82	TDLR VERIFICATION BOUNDARY. RR A-5. **SAP 102924**

COMANCHE PEAK UNIT 1
 INSERVICE INSPECTION PLAN
 CLASS 1 COMPLETED COMPONENTS

SUMMARY EXAMINATION AREA NUMBER IDENTIFICATION	INSPECTION INTERVAL	PLAN STATUS			PRESERVICE YEAR	INSTRUCTIONS
		ASME SEC. XI CATGY NDE ITEM NO METH	FIRST PERIOD	SECOND PERIOD		
			1 2	1 2 3	1 2	**CALIBRATION BLOCK**

REACTOR COOLANT TBX-RCPCRV-01

005540 TBX-1-1400-8 B-G-1 UT 82 TDLR VERIFICATION BOUNDARY. RR
 RV STUD B6.30 2 - - - - C - - A-5.

SAP 102924

005560 TBX-1-1400-9 B-G-1 UT 82 TDLR VERIFICATION BOUNDARY. RR
 RV STUD B6.30 2 - - - - C - - A-5.

SAP 102924

005580 TBX-1-1400-10 B-G-1 UT 82 TDLR VERIFICATION BOUNDARY. RR
 RV STUD B6.30 2 - - - - C - - A-5.

SAP 102924

005600 TBX-1-1400-11 B-G-1 UT 82 TDLR VERIFICATION BOUNDARY. RR
 RV STUD B6.30 2 - - - - C - - A-5.

SAP 102924

005620 TBX-1-1400-12 B-G-1 UT 82 TDLR VERIFICATION BOUNDARY. RR
 RV STUD B6.30 2 - - - - C - - A-5.

SAP 102924

005640 TBX-1-1400-13 B-G-1 UT 82 TDLR VERIFICATION BOUNDARY. RR
 RV STUD B6.30 2 - - - - C - - A-5.

SAP 102924

005660 TBX-1-1400-14 B-G-1 UT 82 TDLR VERIFICATION BOUNDARY. RR
 RV STUD B6.30 2 - - - - C - - A-5.

SAP 102924

COMANCHE PEAK UNIT 1
 INSERVICE INSPECTION PLAN
 CLASS 1 COMPLETED COMPONENTS

SUMMARY EXAMINATION AREA NUMBER IDENTIFICATION	INSPECTION INTERVAL		PLAN STATUS			PRESERVICE YEAR	INSTRUCTIONS
	CATGY	NDE	FIRST PERIOD	SECOND PERIOD	THIRD PERIOD		
-----			O U T A G E			-----	
	ITEM NO	METH	1 2	1 2 3	1 2	**CALIBRATION BLOCK**	

<u>REACTOR COOLANT TBX-RCPCRV-01</u>							
005680	TBX-1-1400-15 RV STUD	B-G-1 B6.30	UT 2 - -	- - C	- -	82	TDLR VERIFICATION BOUNDARY. RR A-5. **SAP 102924**
005700	TBX-1-1400-16 RV STUD	B-G-1 B6.30	UT 2 - -	- - C	- -	82	TDLR VERIFICATION BOUNDARY. RR A-5. **SAP 102924**
005720	TBX-1-1400-17 RV STUD R160 905RB	B-G-1 B6.20	UT 2 - -	- - C	- -	82	TDLR VERIFICATION BOUNDARY. RR A-5. **SAP 102924**
005740	TBX-1-1400-18 RV STUD R160 905RB	B-G-1 B6.30	UT 2 - -	- - C	- -	82	TDLR VERIFICATION BOUNDARY. RR A-5. **SAP 102924**
005760	TBX-1-1400-19 RV STUD R160 905RB	B-G-1 B6.30	UT 2 - -	- - C	- -	82	TDLR VERIFICATION BOUNDARY. RR A-5. **SAP 102924**
005780	TBX-1-1400-20 RV STUD R160 905RB	B-G-1 B6.30	UT 2 - -	- - C	- -	82	TDLR VERIFICATION BOUNDARY. RR A-5. **SAP 102924**
005800	TBX-1-1400-21 RV STUD R160 905RB	B-G-1 B6.30	UT 2 - -	- - C	- -	82	TDLR VERIFICATION BOUNDARY. RR A-5. **SAP 102924**

COMANCHE PEAK UNIT 1
 INSERVICE INSPECTION PLAN
 CLASS 1 COMPLETED COMPONENTS

SUMMARY EXAMINATION AREA NUMBER IDENTIFICATION	INSPECTION INTERVAL		PLAN STATUS			PRESERVICE YEAR	INSTRUCTIONS
	ASME SEC. XI CATGY NDE	ITEM NO METH	FIRST PERIOD	SECOND PERIOD	THIRD PERIOD		
			1 2	1 2 3	1 2		**CALIBRATION BLOCK**
<hr/>							
<u>REACTOR COOLANT TBX-RCPCR-01</u>							
005820 TBX-1-1400-22 RV STUD R160 905RB	B-G-1 B6.30	UT	2 - -	- - C	- -	82	TDLR VERIFICATION BOUNDARY. RR A-5. **SAP 102924**
005840 TBX-1-1400-23 RV STUD R160 905RB	B-G-1 B6.30	UT	2 - -	- - C	- -	82	TDLR VERIFICATION BOUNDARY. RR A-5. **SAP 102924**
005860 TBX-1-1400-24 RV STUD R160 905RB	B-G-1 B6.30	UT	2 - -	- - C	- -	82	TDLR VERIFICATION BOUNDARY. RR A-5. **SAP 102924**
005880 TBX-1-1400-25 RV STUD	B-G-1 B6.30	UT	2 - -	- - C	- -	82	TDLR VERIFICATION BOUNDARY. RR A-5. **SAP 102924**
005900 TBX-1-1400-26 RV STUD R160 905RB	B-G-1 B6.30	UT	2 - -	- - C	- -	82	TDLR VERIFICATION BOUNDARY. RR A-5. **SAP 102924**
005920 TBX-1-1400-27 RV STUD R160 905RB	B-G-1 B6.30	UT	2 - -	- - C	- -	82	TDLR VERIFICATION BOUNDARY. RR A-5. **SAP 102924**
005940 TBX-1-1400-28 RV STUD R160 905RB	B-G-1 B6.30	UT	2 - -	- - C	- -	82	TDLR VERIFICATION BOUNDARY. RR A-5. **SAP 102924**

COMANCHE PEAK UNIT 1
 INSERVICE INSPECTION PLAN
 CLASS 1 COMPLETED COMPONENTS

SUMMARY	EXAMINATION AREA	INSPECTION INTERVAL		PLAN STATUS			PRESERVICE YEAR	INSTRUCTIONS		
		CATGY	NDE	FIRST PERIOD	SECOND PERIOD	THIRD PERIOD				
NUMBER	IDENTIFICATION	ITEM NO	METH	1	2	3	1	2		

<u>REACTOR COOLANT TBX-RCPCRV-01</u>										
005960	TBX-1-1400-29 RV STUD R160 905RB	B-G-1	UT	B6.30	2	-	-	C	82	TDLR VERIFICATION BOUNDARY. RR A-5. **SAP 102924**
005980	TBX-1-1400-30 RV STUD R160 905RB	B-G-1	UT	B6.30	2	-	-	C	82	TDLR VERIFICATION BOUNDARY. RR A-5. **SAP 102924**
006000	TBX-1-1400-31 RV STUD R160 905RB	B-G-1	UT	B6.30	2	-	-	C	82	TDLR VERIFICATION BOUNDARY. RR A-5. **SAP 102924**
006020	TBX-1-1400-32 RV STUD R160 905RB	B-G-1	UT	B6.30	2	-	-	C	82	TDLR VERIFICATION BOUNDARY. RR A-5. **SAP 102924**
006040	TBX-1-1400-33 RV STUD R160 905RB	B-G-1	UT	B6.30	2	-	-	C	82	TDLR VERIFICATION BOUNDARY. RR A-5. **SAP 102924**
006060	TBX-1-1400-34 RV STUD R160 905RB	B-G-1	UT	B6.30	2	-	-	C	82	TDLR VERIFICATION BOUNDARY. RR A-5. **SAP 102924**
006080	TBX-1-1400-35 RV STUD R160 905RB	B-G-1	UT	B6.30	2	-	-	C	82	TDLR VERIFICATION BOUNDARY. RR A-5. **SAP 102924**

COMANCHE PEAK UNIT 1
 INSERVICE INSPECTION PLAN
 CLASS 1 COMPLETED COMPONENTS

SUMMARY EXAMINATION AREA NUMBER IDENTIFICATION	INSPECTION INTERVAL		PLAN STATUS						PRESERVICE YEAR	INSTRUCTIONS	
	ASME SEC. XI CATGY NDE ITEM NO METH		FIRST PERIOD		SECOND PERIOD		THIRD PERIOD				

<u>REACTOR COOLANT TBX-RCPCRV-01</u>											
006100 TBX-1-1400-36 RV STUD R160 905RB	B-G-1 B6.30	UT	2	-	-	-	-	C	-	-	82 TDLR VERIFICATION BOUNDARY. RR A-5. **SAP 102924**
006120 TBX-1-1400-37 RV STUD R160 905RB	B-G-1 B6.30	UT	2	-	-	-	-	C	-	-	82 TDLR VERIFICATION BOUNDARY. RR A-5. **SAP 102924**
006140 TBX-1-1400-38 RV STUD R160 905RB	B-G-1 B6.30	UT	2	-	-	-	-	C	-	-	82 TDLR VERIFICATION BOUNDARY. RR A-5. **SAP 102924**
006160 TBX-1-1400-39 RV STUD R160 905RB	B-G-1 B6.30	UT	2	-	-	-	-	C	-	-	82 TDLR VERIFICATION BOUNDARY. RR A-5. **SAP 102924**
006180 TBX-1-1400-40 RV STUD R160 905RB	B-G-1 B6.30	UT	2	-	-	-	-	C	-	-	82 TDLR VERIFICATION BOUNDARY. RR A-5. **SAP 102924**
006200 TBX-1-1400-41 RV STUD R160 905RB	B-G-1 B6.30	UT	2	-	-	-	-	C	-	-	82 TDLR VERIFICATION BOUNDARY. RR A-5. **SAP 102924**
006220 TBX-1-1400-42 RV STUD R160 905RB	B-G-1 B6.30	UT	2	-	-	-	-	C	-	-	82 TDLR VERIFICATION BOUNDARY. RR A-5. **SAP 102924**

COMANCHE PEAK UNIT 1
 INSERVICE INSPECTION PLAN
 CLASS 1 COMPLETED COMPONENTS

SUMMARY EXAMINATION AREA NUMBER IDENTIFICATION	INSPECTION INTERVAL		PLAN STATUS			PRESERVICE YEAR	INSTRUCTIONS
	CATGY	NDE	FIRST PERIOD	SECOND PERIOD	THIRD PERIOD		
			1 2	1 2 3	1 2		**CALIBRATION BLOCK**
<hr/>							
<u>REACTOR COOLANT TBX-RCPCRV-01</u>							
006240 TBX-1-1400-43 RV STUD R160 905RB	B-G-1	UT	2 - -	- - C	- -	82	TDLR VERIFICATION BOUNDARY. RR A-5. **SAP 102924**
006260 TBX-1-1400-44 RV STUD R160 905RB	B-G-1	UT	2 - -	- - C	- -	82	TDLR VERIFICATION BOUNDARY. RR A-5. **SAP 102924**
006280 TBX-1-1400-45 RV STUD R160 905RB	B-G-1	UT	2 - -	- - C	- -	82	TDLR VERIFICATION BOUNDARY. RR A-5. **SAP 102924**
006300 TBX-1-1400-46 RV STUD R160 905RB	B-G-1	UT	2 - -	- - C	- -	82	TDLR VERIFICATION BOUNDARY. RR A-5. **SAP 102924**
006320 TBX-1-1400-47 RV STUD R160 905RB	B-G-1	UT	2 - -	- - C	- -	82	TDLR VERIFICATION BOUNDARY. RR A-5. **SAP 102924**
006340 TBX-1-1400-48 RV STUD R160 905RB	B-G-1	UT	2 - -	- - C	- -	82	TDLR VERIFICATION BOUNDARY. RR A-5. **SAP 102924**
006360 TBX-1-1400-49 RV STUD R160 905RB	B-G-1	UT	2 - -	- - C	- -	82	TDLR VERIFICATION BOUNDARY. RR A-5. **SAP 102924**

COMANCHE PEAK UNIT 1
 INSERVICE INSPECTION PLAN
 CLASS 1 COMPLETED COMPONENTS

SUMMARY EXAMINATION AREA NUMBER IDENTIFICATION	INSPECTION INTERVAL	PLAN STATUS			PRESERVICE YEAR	INSTRUCTIONS
		ASME SEC. XI CATGY NDE ITEM NO METH	FIRST PERIOD	SECOND PERIOD		
			O U T A G E			**CALIBRATION BLOCK**
<u>REACTOR COOLANT TBX-RCPCRV-01</u>						
006380 TBX-1-1400-50 RV STUD R160 905RB	B-G-1 UT B6.30	2 - -	- - C	- -	82	TDLR VERIFICATION BOUNDARY. RR A-5. **SAP 102924**
006400 TBX-1-1400-51 RV STUD R160 905RB	B-G-1 UT B6.30	2 - -	- - C	- -	82	TDLR VERIFICATION BOUNDARY. RR A-5. **SAP 102924**
006420 TBX-1-1400-52 RV STUD R160 905RB	B-G-1 UT B6.30	2 - -	- - C	- -	82	TDLR VERIFICATION BOUNDARY. RR A-5. **SAP 102924**
006440 TBX-1-1400-53 RV STUD	B-G-1 UT B6.30	2 - -	- - C	- -	82	TDLR VERIFICATION BOUNDARY. RR A-5. **SAP 102924**
006460 TBX-1-1400-54 RV STUD	B-G-1 UT B6.30	2 - -	- - C	- -	82	TDLR VERIFICATION BOUNDARY. RR A-5. **SAP 102924**
006600 TBX-1-1400-1 RV NUT	B-G-1 VT-1 B6.10	2 - -	- - C	- -	82	TDLR VERIFICATION BOUNDARY. RR A-5.
006620 TBX-1-1400-2 RV NUT	B-G-1 VT-1 B6.10	2 - -	- - C	- -	82	TDLR VERIFICATION BOUNDARY. RR A-5.

COMANCHE PEAK UNIT 1
 INSERVICE INSPECTION PLAN
 CLASS 1 COMPLETED COMPONENTS

SUMMARY EXAMINATION AREA	INSPECTION INTERVAL	PLAN STATUS						PRESERVICE YEAR	INSTRUCTIONS
		ASME	SEC. XI	CATGY	NDE	FIRST PERIOD	SECOND PERIOD		
NUMBER IDENTIFICATION	ITEM NO METH	1	2	1	2	3	1	2	**CALIBRATION BLOCK**

REACTOR COOLANT TBX-RCPCRV-01

006640	TBX-1-1400-3 RV NUT	B-G-1 B6.10	VT-1	2	-	-	-	-	82	TDLR VERIFICATION BOUNDARY. RR A-5.
006660	TBX-1-1400-4 RV NUT	B-G-1 B6.10	VT-1	2	-	-	-	-	82	TDLR VERIFICATION BOUNDARY. RR A-5.
006680	TBX-1-1400-5 RV NUT	B-G-1 B6.10	VT-1	2	-	-	-	-	82	TDLR VERIFICATION BOUNDARY. RR A-5.
006700	TBX-1-1400-6 RV NUT	B-G-1 B6.10	VT-1	2	-	-	-	-	82	TDLR VERIFICATION BOUNDARY. RR A-5.
006720	TBX-1-1400-7 RV NUT	B-G-1 B6.10	VT-1	2	-	-	-	-	82	TDLR VERIFICATION BOUNDARY. RR A-5.
006740	TBX-1-1400-8 RV NUT	B-G-1 B6.10	VT-1	2	-	-	-	-	82	TDLR VERIFICATION BOUNDARY. RR A-5.
006760	TBX-1-1400-9 RV NUT	B-G-1 B6.10	VT-1	2	-	-	-	-	82	TDLR VERIFICATION BOUNDARY. RR A-5.

COMANCHE PEAK UNIT 1
 INSERVICE INSPECTION PLAN
 CLASS 1 COMPLETED COMPONENTS

SUMMARY EXAMINATION AREA NUMBER IDENTIFICATION	INSPECTION INTERVAL		PLAN STATUS			PRESERVICE YEAR	INSTRUCTIONS
	ASME SEC. XI CATGY NDE ITEM NO METH		FIRST PERIOD	SECOND PERIOD	THIRD PERIOD		
			O U T A G E				**CALIBRATION BLOCK**
<hr/>							
<u>REACTOR COOLANT TBX-RCPCRV-01</u>							
006780 TBX-1-1400-10 RV NUT	B-G-1 B6.10	VT-1	2 - -	- - C	- -	82	TDLR VERIFICATION BOUNDARY. RR A-5.
006800 TBX-1-1400-11 RV NUT	B-G-1 B6.10	VT-1	2 - -	- - C	- -	82	TDLR VERIFICATION BOUNDARY. RR A-5.
006820 TBX-1-1400-12 RV NUT	B-G-1 B6.10	VT-1	2 - -	- - C	- -	82	TDLR VERIFICATION BOUNDARY. RR A-5.
006840 TBX-1-1400-13 RV NUT	B-G-1 B6.10	VT-1	2 - -	- - C	- -	82	TDLR VERIFICATION BOUNDARY. RR A-5.
006860 TBX-1-1400-14 RV NUT	B-G-1 B6.10	VT-1	2 - -	- - C	- -	82	TDLR VERIFICATION BOUNDARY. RR A-5.
006880 TBX-1-1400-15 RV NUT	B-G-1 B6.10	VT-1	2 - -	- - C	- -	82	TDLR VERIFICATION BOUNDARY. RR A-5.
006900 TBX-1-1400-16 RV NUT	B-G-1 B6.10	VT-1	2 - -	- - C	- -	82	TDLR VERIFICATION BOUNDARY. RR A-5.

COMANCHE PEAK UNIT 1
 INSERVICE INSPECTION PLAN
 CLASS 1 COMPLETED COMPONENTS

SUMMARY EXAMINATION AREA NUMBER IDENTIFICATION	INSPECTION INTERVAL		PLAN STATUS			PRESERVICE YEAR	INSTRUCTIONS
	ASME SEC. XI CATGY NDE ITEM NO METH		FIRST PERIOD	SECOND PERIOD	THIRD PERIOD		
			O U T A G E				**CALIBRATION BLOCK**
			1 2	1 2 3	1 2		

REACTOR COOLANT TBX-RCPCRV-01

006920 TBX-1-1400-17 B-G-1 VT-1 82 TDLR VERIFICATION BOUNDARY. RR
 RV NUT B6.10 2 - - - - C - - A-5.
 R160 905RB

006940 TBX-1-1400-18 B-G-1 VT-1 82 TDLR VERIFICATION BOUNDARY. RR
 RV NUT B6.10 2 - - - - C - - A-5.
 R160 905RB

006960 TBX-1-1400-19 B-G-1 VT-1 82 TDLR VERIFICATION BOUNDARY. RR
 RV NUT B6.10 2 - - - - C - - A-5.
 R160 905RB

006980 TBX-1-1400-20 B-G-1 VT-1 82 TDLR VERIFICATION BOUNDARY. RR
 RV NUT B6.10 2 - - - - C - - A-5.
 R160 905RB

007000 TBX-1-1400-21 B-G-1 VT-1 82 TDLR VERIFICATION BOUNDARY. RR
 RV NUT B6.10 2 - - - - C - - A-5.
 R160 905RB

007020 TBX-1-1400-22 B-G-1 VT-1 82 TDLR VERIFICATION BOUNDARY. RR
 RV NUT B6.10 2 - - - - C - - A-5.
 R160 905RB

007040 TBX-1-1400-23 B-G-1 VT-1 82 TDLR VERIFICATION BOUNDARY. RR
 RV NUT B6.10 2 - - - - C - - A-5.
 R160 905RB

COMANCHE PEAK UNIT 1
 INSERVICE INSPECTION PLAN
 CLASS 1 COMPLETED COMPONENTS

		INSPECTION INTERVAL		PLAN STATUS			PRESERVICE YEAR	INSTRUCTIONS	
				FIRST PERIOD	SECOND PERIOD	THIRD PERIOD			
SUMMARY EXAMINATION AREA		CATGY	NDE	O U T A G E					
NUMBER	IDENTIFICATION	ITEM NO	METH	1	2	3	1	2	**CALIBRATION BLOCK**

<u>REACTOR COOLANT TBX-RCPCRV-01</u>									
007060	TBX-1-1400-24 RV NUT R160 905RB	B-G-1	VT-1				82		TDLR VERIFICATION BOUNDARY. RR A-5.
		B6.10		2	-	-			C
007080	TBX-1-1400-25 RV NUT	B-G-1	VT-1				82		TDLR VERIFICATION BOUNDARY. RR A-5.
		B6.10		2	-	-			C
007100	TBX-1-1400-26 RV NUT R160 905RB	B-G-1	VT-1				82		TDLR VERIFICATION BOUNDARY. RR A-5.
		B6.10		2	-	-			C
007120	TBX-1-1400-27 RV NUT R160 905RB	B-G-1	VT-1				82		TDLR VERIFICATION BOUNDARY. RR A-5.
		B6.10		2	-	-			C
007140	TBX-1-1400-28 RV NUT R160 905RB	B-G-1	VT-1				82		TDLR VERIFICATION BOUNDARY. RR A-5.
		B6.10		2	-	-			C
007160	TBX-1-1400-29 RV NUT R160 905RB	B-G-1	VT-1				82		TDLR VERIFICATION BOUNDARY. RR A-5.
		B6.10		2	-	-			C
007180	TBX-1-1400-30 RV NUT R160 905RB	B-G-1	VT-1				82		TDLR VERIFICATION BOUNDARY. RR A-5.
		B6.10		2	-	-			C

COMANCHE PEAK UNIT 1
 INSERVICE INSPECTION PLAN
 CLASS 1 COMPLETED COMPONENTS

SUMMARY EXAMINATION AREA NUMBER IDENTIFICATION	INSPECTION INTERVAL		PLAN STATUS			PRESERVICE YEAR	INSTRUCTIONS
	ASME SEC. XI CATGY NDE ITEM NO METH		FIRST PERIOD	SECOND PERIOD	THIRD PERIOD		
			O U T A G E				**CALIBRATION BLOCK**
<hr/>							
<u>REACTOR COOLANT TBX-RCPCR-01</u>							
007200 TBX-1-1400-31 RV NUT R160 905RB	B-G-1 B6.10	VT-1	2 - -	- - C	- -	82	TDLR VERIFICATION BOUNDARY. RR A-5.
007220 TBX-1-1400-32 RV NUT R160 905RB	B-G-1 B6.10	VT-1	2 - -	- - C	- -	82	TDLR VERIFICATION BOUNDARY. RR A-5.
007240 TBX-1-1400-33 RV NUT R160 905RB	B-G-1 B6.10	VT-1	2 - -	- - C	- -	82	TDLR VERIFICATION BOUNDARY. RR A-5.
007260 TBX-1-1400-34 RV NUT R160 905RB	B-G-1 B6.10	VT-1	2 - -	- - C	- -	82	TDLR VERIFICATION BOUNDARY. RR RR-A5.
007280 TBX-1-1400-35 RV NUT R160 905RB	B-G-1 B6.10	VT-1	2 - -	- - C	- -	82	TDLR VERIFICATION BOUNDARY. RR A-5.
007300 TBX-1-1400-36 RV NUT R160 905RB	B-G-1 B6.10	VT-1	2 - -	- - C	- -	82	TDLR VERIFICATION BOUNDARY. RR A-5.
007320 TBX-1-1400-37 RV NUT R160 905RB	B-G-1 B6.10	VT-1	2 - -	- - C	- -	82	TDLR VERIFICATION BOUNDARY. RR A-5.

COMANCHE PEAK UNIT 1
 INSERVICE INSPECTION PLAN
 CLASS 1 COMPLETED COMPONENTS

		INSPECTION INTERVAL		PLAN STATUS			PRESERVICE YEAR	
		ASME	SEC. XI	FIRST PERIOD	SECOND PERIOD	THIRD PERIOD		
SUMMARY EXAMINATION AREA		CATGY	NDE	O U T A G E				INSTRUCTIONS
NUMBER	IDENTIFICATION	ITEM NO	METH	1	2	3	1	2
				1	2		1	2
								CALIBRATION BLOCK

REACTOR COOLANT TBX-RCPCR-01

007340	TBX-1-1400-38 RV NUT R160 905RB	B-G-1 B6.10	VT-1	2	-	-	-	-	82	TDLR VERIFICATION BOUNDARY. RR A-5.
007360	TBX-1-1400-39 RV NUT R160 905RB	B-G-1 B6.10	VT-1	2	-	-	-	-	82	TDLR VERIFICATION BOUNDARY. RR A-5.
007380	TBX-1-1400-40 RV NUT R160 905RB	B-G-1 B6.10	VT-1	2	-	-	-	-	82	TDLR VERIFICATION BOUNDARY. RR A-5.
007400	TBX-1-1400-41 RV NUT R160 905RB	B-G-1 B6.10	VT-1	2	-	-	-	-	82	TDLR VERIFICATION BOUNDARY. RR A-5.
007420	TBX-1-1400-42 RV NUT R160 905RB	B-G-1 B6.10	VT-1	2	-	-	-	-	82	TDLR VERIFICATION BOUNDARY. RR A-5.
007440	TBX-1-1400-43 RV NUT R160 905RB	B-G-1 B6.10	VT-1	2	-	-	-	-	82	TDLR VERIFICATION BOUNDARY. RR A-5.
007460	TBX-1-1400-44 RV NUT R160 905RB	B-G-1 B6.10	VT-1	2	-	-	-	-	82	TDLR VERIFICATION BOUNDARY. RR A-5.

COMANCHE PEAK UNIT 1
 INSERVICE INSPECTION PLAN
 CLASS 1 COMPLETED COMPONENTS

SUMMARY EXAMINATION AREA NUMBER IDENTIFICATION	INSPECTION INTERVAL	PLAN STATUS			PRESERVICE YEAR	INSTRUCTIONS
		ASME SEC. XI CATGY NDE ITEM NO METH	FIRST PERIOD	SECOND PERIOD		
			1 2	1 2 3	1 2	**CALIBRATION BLOCK**

REACTOR COOLANT TBX-RCPCRV-01

007480	TBX-1-1400-45 RV NUT R160 905RB	B-G-1 VT-1 B6.10	2 - -	- - C - -	82	TDLR VERIFICATION BOUNDARY. RR A-5.
007500	TBX-1-1400-46 RV NUT R160 905RB	B-G-1 VT-1 B6.10	2 - -	- - C - -	82	TDLR VERIFICATION BOUNDARY. RR A-5.
007520	TBX-1-1400-47 RV NUT R160 905RB	B-G-1 VT-1 B6.10	2 - -	- - C - -	82	TDLR VERIFICATION BOUNDARY. RR A-5.
007540	TBX-1-1400-48 RV NUT R160 905RB	B-G-1 VT-1 B6.10	2 - -	- - C - -	82	TDLR VERIFICATION BOUNDARY. RR A-5.
007560	TBX-1-1400-49 RV NUT R160 905RB	B-G-1 VT-1 B6.10	2 - -	- - C - -	82	TDLR VERIFICATION BOUNDARY. RR A-5.
007580	TBX-1-1400-50 RV NUT R160 905RB	B-G-1 VT-1 B6.10	2 - -	- - C - -	82	TDLR VERIFICATION BOUNDARY. RR A-5.
007600	TBX-1-1400-51 RV NUT R160 905RB	B-G-1 VT-1 B6.10	2 - -	- - C - -	82	TDLR VERIFICATION BOUNDARY. RR A-5.

COMANCHE PEAK UNIT 1
 INSERVICE INSPECTION PLAN
 CLASS 1 COMPLETED COMPONENTS

SUMMARY EXAMINATION AREA NUMBER IDENTIFICATION	INSPECTION INTERVAL	PLAN STATUS						PRESERVICE YEAR	INSTRUCTIONS
		ASME SEC. XI	CATGY NDE	ITEM NO	METH	FIRST PERIOD	SECOND PERIOD		
				1 2		1 2 3		1 2	**CALIBRATION BLOCK**

REACTOR COOLANT TBX-RCPCRV-01

007620	TBX-1-1400-52 RV NUT R160 905RB	B-G-1 B6.10	VT-1	2 - -	- -	C - -		82	TDLR VERIFICATION BOUNDARY. RR A-5.
007640	TBX-1-1400-53 RV NUT	B-G-1 B6.10	VT-1	2 - -	- -	C - -		82	TDLR VERIFICATION BOUNDARY. RR A-5.
007660	TBX-1-1400-54 RV NUT	B-G-1 B6.10	VT-1	2 - -	- -	C - -		82	TDLR VERIFICATION BOUNDARY. RR A-5.
007800	TBX-1-1400-1 RV WASHER	B-G-1 B6.50	VT-1	2 - -	- -	C - -		82	TDLR VERIFICATION BOUNDARY. RR A-5.
007820	TBX-1-1400-2 RV WASHER	B-G-1 B6.50	VT-1	2 - -	- -	C - -		82	TDLR VERIFICATION BOUNDARY. RR A-5.
007840	TBX-1-1400-3 RV WASHER	B-G-1 B6.50	VT-1	2 - -	- -	C - -		82	TDLR VERIFICATION BOUNDARY. RR A-5.
007860	TBX-1-1400-4 RV WASHER	B-G-1 B6.50	VT-1	2 - -	- -	C - -		82	TDLR VERIFICATION BOUNDARY. RR A-5.

COMANCHE PEAK UNIT 1
 INSERVICE INSPECTION PLAN
 CLASS 1 COMPLETED COMPONENTS

SUMMARY	EXAMINATION AREA	INSPECTION INTERVAL		PLAN STATUS			PRESERVICE YEAR	INSTRUCTIONS	
		ASME	SEC. XI	FIRST PERIOD	SECOND PERIOD	THIRD PERIOD			
NUMBER	IDENTIFICATION	CATGY	NDE	O U T A G E				**CALIBRATION BLOCK**	
		ITEM NO	METH	1	2	3	1	2	
<hr/>									
<u>REACTOR COOLANT TBX-RCPCRV-01</u>									
007880	TBX-1-1400-5 RV WASHER	B-G-1	VT-1				82	TDLR VERIFICATION BOUNDARY. RR A-5.	
		B6.50		2	-	-		C	
007900	TBX-1-1400-6 RV WASHER	B-G-1	VT-1				82	TDLR VERIFICATION BOUNDARY. RR A-5.	
		B6.50		2	-	-		C	
007920	TBX-1-1400-7 RV WASHER	B-G-1	VT-1				82	TDLR VERIFICATION BOUNDARY. RR A-5.	
		B6.50		2	-	-		C	
007940	TBX-1-1400-8 RV WASHER	B-G-1	VT-1				82	TDLR VERIFICATION BOUNDARY. RR A-5.	
		B6.50		2	-	-		C	
007960	TBX-1-1400-9 RV WASHER	B-G-1	VT-1				82	TDLR VERIFICATION BOUNDARY. RR A-5.	
		B6.50		2	-	-		C	
007980	TBX-1-1400-10 RV WASHER	B-G-1	VT-1				82	TDLR VERIFICATION BOUNDARY. RR A-5.	
		B6.50		2	-	-		C	
008000	TBX-1-1400-11 RV WASHER	B-G-1	VT-1				82	TDLR VERIFICATION BOUNDARY. RR A-5.	
		B6.50		2	-	-		C	

COMANCHE PEAK UNIT 1
 INSERVICE INSPECTION PLAN
 CLASS 1 COMPLETED COMPONENTS

SUMMARY EXAMINATION AREA	INSPECTION INTERVAL	PLAN STATUS			PRESERVICE YEAR	INSTRUCTIONS
		FIRST PERIOD	SECOND PERIOD	THIRD PERIOD		
ASME	SEC. XI	-----				
CATGY NDE	ITEM NO METH	1 2	1 2 3	1 2		**CALIBRATION BLOCK**

REACTOR COOLANT TBX-RCPCRV-01

008020	TBX-1-1400-12 RV WASHER	B-G-1 B6.50	VT-1	2 - -	- - C - -	82	TDLR VERIFICATION BOUNDARY. RR A-5.
008040	TBX-1-1400-13 RV WASHER	B-G-1 B6.50	VT-1	2 - -	- - C - -	82	TDLR VERIFICATION BOUNDARY. RR A-5.
008060	TBX-1-1400-14 RV WASHER	B-G-1 B6.50	VT-1	2 - -	- - C - -	82	TDLR VERIFICATION BOUNDARY. RR A-5.
008080	TBX-1-1400-15 RV WASHER	B-G-1 B6.50	VT-1	2 - -	- - C - -	82	TDLR VERIFICATION BOUNDARY. RR A-5.
008100	TBX-1-1400-16 RV WASHER	B-G-1 B6.50	VT-1	2 - -	- - C - -	82	TDLR VERIFICATION BOUNDARY. RR A-5.
008120	TBX-1-1400-17 RV WASHER R160 905RB	B-G-1 B6.50	VT-1	2 - -	- - C - -	82	TDLR VERIFICATION BOUNDARY. RR A-5.
008140	TBX-1-1400-18 RV WASHER R160 905RB	B-G-1 B6.50	VT-1	2 - -	- - C - -	82	TDLR VERIFICATION BOUNDARY. RR A-5.

COMANCHE PEAK UNIT 1
 INSERVICE INSPECTION PLAN
 CLASS 1 COMPLETED COMPONENTS

SUMMARY EXAMINATION AREA	INSPECTION INTERVAL	PLAN STATUS			PRESERVICE YEAR	INSTRUCTIONS
		ASME SEC. XI CATGY NDE	FIRST PERIOD	SECOND PERIOD		
NUMBER IDENTIFICATION	ITEM NO METH		1 2	1 2 3	1 2	**CALIBRATION BLOCK**

REACTOR COOLANT TBX-RCPCRV-01

008160	TBX-1-1400-19 RV WASHER R160 905RB	B-G-1 VT-1 B6.50	2 - -	- - C - -	82	TDLR VERIFICATION BOUNDARY. RR A-5.
008180	TBX-1-1400-20 RV WASHER R160 905RB	B-G-1 VT-1 B6.50	2 - -	- - C - -	82	TDLR VERIFICATION BOUNDARY. RR A-5.
008200	TBX-1-1400-21 RV WASHER R160 905RB	B-G-1 VT-1 B6.50	2 - -	- - C - -	82	TDLR VERIFICATION BOUNDARY. RR A-5.
008220	TBX-1-1400-22 RV WASHER R160 905RB	B-G-1 VT-1 B6.50	2 - -	- - C - -	82	TDLR VERIFICATION BOUNDARY. RR A-5.
008240	TBX-1-1400-23 RV WASHER R160 905RB	B-G-1 VT-1 B6.50	2 - -	- - C - -	82	TDLR VERIFICATION BOUNDARY. RR A-5.
008260	TBX-1-1400-24 RV WASHER R160 905RB	B-G-1 VT-1 B6.50	2 - -	- - C - -	82	TDLR VERIFICATION BOUNDARY. RR A-5.
008280	TBX-1-1400-25 RV WASHER R160 905RB	B-G-1 VT-1 B6.50	2 - -	- - C - -	82	TDLR VERIFICATION BOUNDARY. RR A-5.

COMANCHE PEAK UNIT 1
 INSERVICE INSPECTION PLAN
 CLASS 1 COMPLETED COMPONENTS

SUMMARY EXAMINATION AREA NUMBER IDENTIFICATION	INSPECTION INTERVAL #	PLAN STATUS			PRESERVICE YEAR	INSTRUCTIONS
		CATGY NDE	FIRST PERIOD	SECOND PERIOD		
	ASME SEC. XI					
	CATGY NDE		O U T A G E			
	ITEM NO METH	1 2	1 2 3	1 2		**CALIBRATION BLOCK**
<hr/>						
<u>REACTOR COOLANT TBX-RCPCRV-01</u>						
008300 TBX-1-1400-26 RV WASHER R160 905RB	B-G-1 VT-1 B6.50	2 - -	- - C	- -	82	TDLR VERIFICATION BOUNDARY. RR A-5.
008320 TBX-1-1400-27 RV WASHER R160 905RB	B-G-1 VT-1 B6.50	2 - -	- - C	- -	82	TDLR VERIFICATION BOUNDARY. RR A-5.
008340 TBX-1-1400-28 RV WASHER R160 905RB	B-G-1 VT-1 B6.50	2 - -	- - C	- -	82	TDLR VERIFICATION BOUNDARY. RR A-5.
008360 TBX-1-1400-29 RV WASHER R160 905RB	B-G-1 VT-1 B6.50	2 - -	- - C	- -	82	TDLR VERIFICATION BOUNDARY. RR A-5.
008380 TBX-1-1400-30 RV WASHER R160 905RB	B-G-1 VT-1 B6.50	2 - -	- - C	- -	82	TDLR VERIFICATION BOUNDARY. RR A-5.
008400 TBX-1-1400-31 RV WASHER R160 905RB	B-G-1 VT-1 B6.50	2 - -	- - C	- -	82	TDLR VERIFICATION BOUNDARY. RR A-5.
008420 TBX-1-1400-32 RV WASHER R160 905RB	B-G-1 VT-1 B6.50	2 - -	- - C	- -	82	TDLR VERIFICATION BOUNDARY. RR A-5.

COMANCHE PEAK UNIT 1
 INSERVICE INSPECTION PLAN
 CLASS 1 COMPLETED COMPONENTS

SUMMARY EXAMINATION AREA NUMBER IDENTIFICATION	INSPECTION INTERVAL		PLAN STATUS						PRESERVICE YEAR	INSTRUCTIONS **CALIBRATION BLOCK**
	ASME SEC. XI CATGY NDE ITEM NO METH		FIRST PERIOD		SECOND PERIOD		THIRD PERIOD			
			1	2	1	2	3	1	2	
<u>REACTOR COOLANT TBX-RCPCR-01</u>										
008440 TBX-1-1400-33 RV WASHER R160 905RB	B-G-1 B6.50	VT-1	2	-	-	-	C	-	-	82 TDLR VERIFICATION BOUNDARY. RR A-5.
008460 TBX-1-1400-34 RV WASHER R160 905RB	B-G-1 B6.50	VT-1	2	-	-	-	C	-	-	82 TDLR VERIFICATION BOUNDARY. RR A-5.
008480 TBX-1-1400-35 RV WASHER R160 905RB	B-G-1 B6.50	VT-1	2	-	-	-	C	-	-	82 TDLR VERIFICATION BOUNDARY. RR A-5.
008500 TBX-1-1400-36 RV WASHER R160 905RB	B-G-1 B6.50	VT-1	2	-	-	-	C	-	-	82 TDLR VERIFICATION BOUNDARY. RR A-5.
008520 TBX-1-1400-37 RV WASHER R160 905RB	B-G-1 B6.50	VT-1	2	-	-	-	C	-	-	82 TDLR VERIFICATION BOUNDARY. RR A-5.
008540 TBX-1-1400-38 RV WASHER R160 905RB	B-G-1 B6.50	VT-1	2	-	-	-	C	-	-	82 TDLR VERIFICATION BOUNDARY. RR A-5.
008560 TBX-1-1400-39 RV WASHER R160 905RB	B-G-1 B6.50	VT-1	2	-	-	-	C	-	-	82 TDLR VERIFICATION BOUNDARY. RR A-5.

COMANCHE PEAK UNIT 1
 INSERVICE INSPECTION PLAN
 CLASS 1 COMPLETED COMPONENTS

SUMMARY EXAMINATION AREA NUMBER IDENTIFICATION	INSPECTION INTERVAL ASME SEC. XI CATGY NDE ITEM NO METH	PLAN STATUS						PRESERVICE YEAR	INSTRUCTIONS **CALIBRATION BLOCK**
		FIRST PERIOD		SECOND PERIOD			THIRD PERIOD		
		1	2	1	2	3	1	2	
<hr/>									
<u>REACTOR COOLANT TBX-RCPCRV-01</u>									
008580 TBX-1-1400-40 RV WASHER R160 905RB	B-G-1 VT-1 B6.50	2	-	-	-	C	-	-	82 TDLR VERIFICATION BOUNDARY. RR A-5.
008600 TBX-1-1400-41 RV WASHER R160 905RB	B-G-1 VT-1 B6.50	2	-	-	-	C	-	-	82 TDLR VERIFICATION BOUNDARY. RR A-5.
008620 TBX-1-1400-42 RV WASHER R160 905RB	B-G-1 VT-1 B6.50	2	-	-	-	C	-	-	82 TDLR VERIFICATION BOUNDARY. RR A-5.
008640 TBX-1-1400-43 RV WASHER R160 905RB	B-G-1 VT-1 B6.50	2	-	-	-	C	-	-	82 TDLR VERIFICATION BOUNDARY. RR A-5.
008660 TBX-1-1400-44 RV WASHER R160 905RB	B-G-1 VT-1 B6.50	2	-	-	-	C	-	-	82 TDLR VERIFICATION BOUNDARY. RR A-5.
008680 TBX-1-1400-45 RV WASHER R160 905RB	B-G-1 VT-1 B6.50	2	-	-	-	C	-	-	82 TDLR VERIFICATION BOUNDARY. RR A-5.
008700 TBX-1-1400-46 RV WASHER R160 905RB	B-G-1 VT-1 B6.50	2	-	-	-	C	-	-	82 TDLR VERIFICATION BOUNDARY. RR A-5.

COMANCHE PEAK UNIT 1
 INSERVICE INSPECTION PLAN
 CLASS 1 COMPLETED COMPONENTS

SUMMARY EXAMINATION AREA NUMBER IDENTIFICATION	INSPECTION INTERVAL ASME SEC. XI CATGY NDE ITEM NO METH	PLAN STATUS						PRESERVICE YEAR	INSTRUCTIONS **CALIBRATION BLOCK**
		FIRST PERIOD		SECOND PERIOD			THIRD PERIOD		
		1	2	1	2	3	1	2	

REACTOR COOLANT TBX-RCPCR-01

008720	TBX-1-1400-47 RV WASHER R160 905RB	B-G-1	VT-1	2	-	-	-	-	82	TDLR VERIFICATION BOUNDARY. RR A-5.
008740	TBX-1-1400-48 RV WASHER R160 905RB	B-G-1	VT-1	2	-	-	-	-	82	TDLR VERIFICATION BOUNDARY. RR A-5.
008760	TBX-1-1400-49 RV WASHER R160 905RB	B-G-1	VT-1	2	-	-	-	-	82	TDLR VERIFICATION BOUNDARY. RR A-5.
008780	TBX-1-1400-50 RV WASHER R160 905RB	B-G-1	VT-1	2	-	-	-	-	82	TDLR VERIFICATION BOUNDARY. RR A-5.
008800	TBX-1-1400-51 RV WASHER R160 905RB	B-G-1	VT-1	2	-	-	-	-	82	TDLR VERIFICATION BOUNDARY. RR A-5.
008820	TBX-1-1400-52 RV WASHER R160 905RB	B-G-1	VT-1	2	-	-	-	-	82	TDLR VERIFICATION BOUNDARY. RR A-5.
008840	TBX-1-1400-53 RV WASHER R160 905RB	B-G-1	VT-1	2	-	-	-	-	82	TDLR VERIFICATION BOUNDARY. RR A-5.

COMANCHE PEAK UNIT 1
 INSERVICE INSPECTION PLAN
 CLASS 1 COMPLETED COMPONENTS

SUMMARY EXAMINATION AREA NUMBER IDENTIFICATION	INSPECTION INTERVAL ASME SEC. XI CATGY NDE ITEM NO METH	PLAN STATUS			PRESERVICE YEAR	INSTRUCTIONS **CALIBRATION BLOCK**
		FIRST PERIOD	SECOND PERIOD	THIRD PERIOD		
<hr/>						
<u>REACTOR COOLANT TBX-RCPCPR-01</u>						
009550	TBX-1-2100-11IR PRESSURIZER SURGE NOZZLE INNER RADIUS R161A832RB	B-D UT B3.120	2 - -	- - C - -	NA	TDLR VERIFICATION BOUNDARY. **TBX-58**
009600	TBX-1-2100-12 PRESSURIZER SPRAY NOZZLE TO VESSEL WELD R161A905RB	B-D UT B3.110	2 C -	- - - - -	79	TDLR VERIFICATION BOUNDARY. RR B-1 **TBX-1**
009650	TBX-1-2100-12IR PRESSURIZER SPRAY NOZZLE INNER RADIUS R161A905RB	B-D UT B3.120	2 C -	- - - - -	NA	TDLR VERIFICATION BOUNDARY. **TBX-55**
009700	TBX-1-2100-13 PRESSURIZER SAFETY NOZZLE TO VESSEL WELD R161A905RB	B-D UT B3.110	2 C -	- - - - -	79	TDLR VERIFICATION BOUNDARY. RR B-1 **TBX-1**
009750	TBX-1-2100-13IR PRESSURIZER SAFETY NOZZLE INNER RADIUS R161A905RB	B-D UT B3.120	2 C -	- - - - -	NA	TDLR VERIFICATION BOUNDARY. EXAM COMPLETED PRIOR TO ASME CODE YEAR UPDATE, WHICH ALLOWS FOR EVT PER RG 1.147 (N-619). **TBX-59**
009800	TBX-1-2100-14 PRESSURIZER RELIEF NOZZLE TO VESSEL WELD R161A905RB	B-D UT B3.110	2 C -	- - - - -	79	TDLR VERIFICATION BOUNDARY. RR B-1 **TBX-1**
009850	TBX-1-2100-14IR PRESSURIZER RELIEF NOZZLE INNER RADIUS R161A905RB	B-D UT B3.120	2 C -	- - - - -	NA	TDLR VERIFICATION BOUNDARY. EXAM COMPLETED PRIOR TO ASME CODE YEAR UPDATE, WHICH ALLOWS FOR EVT PER RG1.147 (N-619). **TBX-59**

SUMMARY EXAMINATION AREA NUMBER IDENTIFICATION	INSPECTION INTERVAL ASME SEC. XI CATGY NDE ITEM NO METH	PLAN STATUS						PRESERVICE YEAR	INSTRUCTIONS **CALIBRATION BLOCK**
		FIRST PERIOD		SECOND PERIOD			THIRD PERIOD		
		1	2	1	2	3	1	2	

REACTOR COOLANT TBX-RCPCPR-01

009900	TBX-1-2100-15 PRESSURIZER SAFETY NOZZLE TO VESSEL WELD R161A905RB	B-D	UT	79	TDLR VERIFICATION BOUNDARY. RR B-1 **TBX-1**
009950	TBX-1-2100-15IR PRESSURIZER SAFETY NOZZLE INNER RADIUS R161A905RB	B-D	UT	79	TDLR VERIFICATION BOUNDARY. EXAM COMPLETED PRIOR TO ASME CODE YEAR UPDATE, WHICH ALLOWS FOR EVT PER RG1.147 (N-619). **TBX-59**
010000	TBX-1-2100-16 PRESSURIZER SAFETY NOZZLE TO VESSEL WELD R161A905RB	B-D	UT	79	TDLR VERIFICATION BOUNDARY. RR B-1 **TBX-1**
010050	TBX-1-2100-16IR PRESSURIZER SAFETY NOZZLE INNER RADIUS R161A905RB	B-D	UT	79	TDLR VERIFICATION BOUNDARY. EXAM COMPLETED PRIOR TO ASME CODE YEAR UPDATE, WHICH ALLOWS FOR EVT PER RG 1.147 (N-619). **TBX-59**
010100	TBX-1-2100-B1-16 PRESSURIZER MANWAY BOLTS (B1/B16) R161A905RB	B-G-2	VT-1	84	TDLR VERIFICATION BOUNDARY.

REACTOR COOLANT TBX-RCPCSG-01

010300	TBX-1-3100-1A SG1 INLET NOZZLE INNER RADIUS R154I812RB	B-D	UT	NA	TDLR VERIFICATION BOUNDARY. EXAM COMPLETED PRIOR TO ASME CODE YEAR UPDATE, WHICH ALLOWS FOR EVT PER RG 1.147 (N-619). **SG-IR**
--------	--	-----	----	----	---

COMANCHE PEAK UNIT 1
 INSERVICE INSPECTION PLAN
 CLASS 1 COMPLETED COMPONENTS

SUMMARY EXAMINATION AREA NUMBER IDENTIFICATION	INSPECTION INTERVAL ASME SEC. XI CATGY NDE ITEM NO METH	PLAN STATUS						PRESERVICE YEAR	INSTRUCTIONS **CALIBRATION BLOCK**
		FIRST PERIOD		SECOND PERIOD			THIRD PERIOD		
		1	2	1	2	3	1	2	

REACTOR COOLANT TBX-RCPCSG-01

010400 TBX-1-3100-1B B-D UT NA TDLR VERIFICATION BOUNDARY.
 SG1 OUTLET NOZZLE INNER RADIUS B3.140 2 - C - - - - -
 R154I812RB EXAM COMPLETED PRIOR TO ASME
 CODE YEAR UPDATE, WHICH ALLOWS
 FOR EVT PER RG 1.147 (N-619).
 SG-IR

REACTOR COOLANT TBX-RCPCSG-02

011000 TBX-1-3100-2B1-16 B-G-2 VT-1 84 TDLR VERIFICATION BOUNDARY.
 SG2 HOTLEG MANWAY BOLTING B7.30 2 - - - C - - -
 (2-B1/2-B16) THIS EXAMINATION OCCURRED
 A25 812RB PRIOR TO THE SGR IN 1RF12,
 WHICH INSTALLED NEW BOLTING.

011100 TBX-1-3100-2B17-32 B-G-2 VT-1 84 TDLR VERIFICATION BOUNDARY.
 SG2 COLDLEG MANWAY BOLTING B7.30 2 - - - C - - -
 (2-B17/2-B32) THIS EXAMINATION OCCURRED
 A25 812RB PRIOR TO THE SGR IN 1RF12.

REACTOR COOLANT TBX-RCPCSG-03

011250 TBX-1-3100-3-1NSG B-B UT 82 TDLR VERIFICATION BOUNDARY. SG
 SG3 CHANNEL HEAD TO TUBESHEET B2.40 2 - - - - - C
 WELD REPLACED IN 1RF12 PER
 R154K812RB FDA-2003-002426.
 TBX-64

011350 TBX-1-3100-3ANSG B-D UT NA TDLR VERIFICATION BOUNDARY.
 SG3 INLET NOZZLE INNER RADIUS B3.140 2 - - - - - C
 R154K812RB REFER TO SMF-2005-001089. SG
 REPLACED IN 1RF12 WITH
 EXAMINATIONS FOR THE THIRD
 PERIOD, SECOND INTERVAL.
 INTERVAL
 TBX-60

011450 TBX-1-3100-3BNSG B-D UT NA TDLR VERIFICATION BOUNDARY.
 SG3 OUTLET NOZZLE INNER RADIUS B3.140 2 - - - - - C
 R154K812RB REFER TO RG 1.147 (N-619).
 REFER TO SMF-2005-001089. SG
 REPLACED IN 1RF12 WITH
 EXAMINATION TO OCCUR DURING
 THIRD PERIOD, SECOND INTERVAL
 TBX-60

COMANCHE PEAK UNIT 1
 INSERVICE INSPECTION PLAN
 CLASS 1 COMPLETED COMPONENTS

SUMMARY EXAMINATION AREA NUMBER IDENTIFICATION	INSPECTION INTERVAL ASME SEC. XI CATGY NDE ITEM NO METH	PLAN STATUS						PRESERVICE YEAR	INSTRUCTIONS **CALIBRATION BLOCK**
		FIRST PERIOD		SECOND PERIOD			THIRD PERIOD		
		1	2	1	2	3	1	2	

REACTOR COOLANT TBX-RCPCSG-03

011501 TBX-1-3100-3B1-16NB B-G-2 VT-1 84 TDLR VERIFICATION BOUNDARY. SG
 SG3 HOTLEG MANWAY BOLTING B7.30 2 - - - - - C
 (3-B1/3-B16)
 R154K812RB
 REPLACED IN 1RF12 WITH NEW BOLTING. THIS EXAMINATION WILL OCCUR DURING SECOND INTERVAL, THIRD PERIOD, PER CODE.

011601 TBX-1-3100-3B17-32NB B-G-2 VT-1 84 TDLR VERIFICATION BOUNDARY. SG
 SG3 COLDLEG MANWAY BOLTING B7.30 2 - - - - - C
 (3-B17/3-B32)
 R154K812RB
 REPLACED IN 1RF12 WITH NEW BOLTING. THIS EXAMINATION WILL OCCUR DURING SECOND INTERVAL, THIRD PERIOD, PER CODE.

REACTOR COOLANT TBX-RCPCSG-04

012000 TBX-1-3100-4B1-16 B-G-2 VT-1 84 TDLR VERIFICATION BOUNDARY.
 SG4 HOTLEG MANWAY BOLTING B7.30 2 - - C - - - -
 (4-B1/4-B16)
 R154L812RB
 EXAMINATION OCCURRED PRIOR TO REPLACEMENT BOLTING IN SGR IN 1RF12.

012001 TBX-1-3100-4B1N-16N B-G-2 VT-1 84 TDLR VERIFICATION BOUNDARY.
 SG4 HOTLEG MANWAY BOLTING B7.30 2 - - - - - C -
 (4-B1/4-B16)
 R154L812RB
 THIS BOLTING WAS ADDED IN 1RF12 PER SGR AND FDA-2005-000224-01.

012100 TBX-1-3100-4B17-32 B-G-2 VT-1 84 TDLR VERIFICATION BOUNDARY.
 SG4 COLDLEG MANWAY BOLTING B7.30 2 - - C - - - -
 (4-B17/4-B32)
 R154L812RB
 EXAMINATION OCCURRED PRIOR TO REPLACEMENT BOLTING IN 1RF12.

012101 TBX-1-3100-4B17N-32N B-G-2 VT-1 84 TDLR VERIFICATION BOUNDARY.
 SG4 COLDLEG MANWAY BOLTING B7.30 2 - - - - - C -
 (4-B17/4-B32)
 R154L812RB
 THIS BOLTING WAS ADDED IN 1RF12 PER SGR AND FDA-2005-000224-01.

COMANCHE PEAK UNIT 1
 INSERVICE INSPECTION PLAN
 CLASS 1 COMPLETED COMPONENTS

SUMMARY EXAMINATION AREA NUMBER IDENTIFICATION	INSPECTION INTERVAL		PLAN STATUS						PRESERVICE YEAR	INSTRUCTIONS
	ASME SEC. XI CATGY NDE ITEM NO METH		FIRST PERIOD		SECOND PERIOD		THIRD PERIOD			
			O U T A G E							**CALIBRATION BLOCK**
			1	2	1	2	3	1	2	

REACTOR COOLANT 29-RC-1-001-WEST-1

012200 TBX-1-4100-1 R-A UT 82 TDLR VERIFICATION BOUNDARY.
 RPV NOZZLE TO SAFE END R1.15 ET 2 - - - - - C - B-F WELD. RELIEF REQUEST B-8.
 R157 860RB

012300 TBX-1-4100-2 R-A UT 82 TDLR VERIFICATION BOUNDARY.
 SAFE END TO PIPE R1.20 ET 2 - - - - - C - B-J WELD. RELIEF REQUEST B-8.
 R157 860RB

012500 TBX-1-4100-4 B-F UT 82 TDLR VERIFICATION BOUNDARY.
 REDUCING ELBOW TO SG NOZZLE B5.70 2 - C - - - - - RI-ISI EXAM, CAT R-A, R1.20.
 SAFE END EXAM COMPLETED PRIOR TO ASME
 R154I827RB CODE YEAR UPDATE. THIS WELD
 WAS LATER REMOVED IN 1RF12 PER
 SGR AND FDA-2005-000224-01
 TBX-57

REACTOR COOLANT 31-RC-1-002-WEST-1

012600 TBX-1-4100-5 B-F UT 82 TDLR VERIFICATION BOUNDARY.
 SG NOZZLE SAFE END TO ELBOW B5.70 2 - C - - - - - RI-ISI, CAT R-A, R1.20. EXAM
 R154I829RB COMPLETED PRIOR TO ASME CODE
 YEAR UPDATE. THIS WELD WAS
 LATER REMOVED IN 1RF12 PER SGR
 AND FDA-2005-000224-01.
 TBX-57

REACTOR COOLANT 27.5-RC-1-003-WEST-1

013200 TBX-1-4100-11 B-J UT 82 TDLR VERIFICATION BOUNDARY.
 RC PUMP DISCHARGE NOZZLE TO B9.11 2 - C - - - - - RI-ISI EXAM, CAT R-A, R1.20.
 PIPE EXAM COMPLETED PRIOR TO ASME
 R154I827RB CODE YEAR UPDATE.
 TBX-57

COMANCHE PEAK UNIT 1
INSERVICE INSPECTION PLAN
CLASS 1 COMPLETED COMPONENTS

SUMMARY EXAMINATION AREA NUMBER IDENTIFICATION	INSPECTION INTERVAL		PLAN STATUS						PRESERVICE YEAR	INSTRUCTIONS
	CATGY	NDE	FIRST PERIOD		SECOND PERIOD			THIRD PERIOD		
ITEM NO METH			1	2	1	2	3	1	2	**CALIBRATION BLOCK**
<hr/>										
<u>REACTOR COOLANT 27.5-RC-1-003-WEST-1</u>										
013400 TBX-1-4100-13 ELBOW TO SAFE END R157 860RB	R-A	UT	2	-	-	-	-	-	C	82 TDLR VERIFICATION BOUNDARY. B-J WELD. **RV-6**
013500 TBX-1-4100-14 SAFE END TO RV NOZZLE R157 860RB	R-A	UT	2	-	-	-	-	-	C	82 TDLR VERIFICATION BOUNDARY... B-F WELD. **RV-6**
<u>REACTOR COOLANT 12-RC-1-007-2501R-1</u>										
014600 TBX-1-4101-3 ELBOW TO PIPE R154I822RB	B-J	UT	2	-	C	-	-	-	-	82 RI-ISI EXAM, CAT R-A, ITEM NO. R1.11. EXAM COMPLETED PRIOR TO ASME CODE YEAR UPDATE. REPLACES WELD TBX-1-4503-22. REFER TO SECTION 6.0 OF ISI PROGRAM PLAN. **TBX-12/PDI-03**
014700 TBX-1-4101-4 PIPE TO PIPE R154I821RB	B-J	UT	2	-	C	-	-	-	-	88 RI-ISI EXAM, EXAM COMPLETED. PRIOR TO ASME CODE YEAR UPDATE. **TBX-12/PDI-03**
014800 TBX-1-4101-5 PIPE TO ELBOW R154I818RB	R-A	UT	2	-	-	-	C	-	-	82 B-J WELD. ADDITIONAL RI-ISI EXAM SELECTED FOR 2ND INTERVAL. **TBX-12/PDI-03**
014900 TBX-1-4101-6 ELBOW TO PIPE R154I817RB	B-J	UT	2	-	C	-	-	-	-	82 RI-ISI EXAM, CAT R-A, ITEM NO: R1.11. EXAM COMPLETED PRIOR TO ASME CODE YEAR UPDATE. **TBX-12/PDI-03**

COMANCHE PEAK UNIT 1
 INSERVICE INSPECTION PLAN
 CLASS 1 COMPLETED COMPONENTS

SUMMARY EXAMINATION AREA	INSPECTION INTERVAL	PLAN STATUS			PRESERVICE YEAR	INSTRUCTIONS
		FIRST PERIOD	SECOND PERIOD	THIRD PERIOD		
NUMBER IDENTIFICATION	CATGY NDE	O U T A G E				
	ITEM NO METH	1 2	1 2 3	1 2		**CALIBRATION BLOCK**

RESIDUAL HEAT REMOVAL 12-RH-1-001-2501R-1

015200 TBX-1-4101-9 B-J UT 82 RI-ISI EXAM, CAT R-A, R1.20.
 PIPE TO ELBOW B9.11 2 - C - - - - -
 R154A817RB
 EXAM COMPLETED PRIOR TO ASME
 CODE YEAR UPDATE.
 TBX-12/PDI-03

015800 TBX-1-4101-8701A-BLT B-G-2 VT-1 84
 VALVE BODY BOLTING B7.70 2 - C - - - - -
 R154 817RB

REACTOR COOLANT 10-RC-1-021-2501R-1

015900 TBX-1-4102-1 R-A UT 82 B-J WELD. CHOSEN AS A
 BRANCH CONNECTION TO ELBOW R1.20 2 - - - - - C
 R154I829RB
 REPLACEMENT RI-ISI EXAM IN
 1RF13.
 TBX-9

016100 TBX-1-4102-3 B-J UT 82 RI-ISI EXAM, CAT R-A, R1.20.
 PIPE TO ELBOW B9.11 2 - C - - - - -
 R154I831RB
 EXAM COMPLETED PRIOR TO ASME
 CODE YEAR UPDATE.
 TBX-9/PDI-03

016200 TBX-1-4102-4 B-J UT 82 RI-ISI EXAM, CAT R-A, R1.20.
 ELBOW TO PIPE B9.11 2 - C - - - - -
 R154I831RB
 EXAM COMPLETED PRIOR TO ASME
 CODE YEAR UPDATE.
 TBX-9/PDI-03

REACTOR COOLANT 1.5-RC-1-020-2501R-1

021800 TBX-1-4107-4 B-J PT 82 RI-ISI EXAM, CAT R-A, ITEM
 PIPE TO ELBOW B9.40 2 - - C - - - - -
 R154I828RB
 R1.11. EXAM COMPLETED PRIOR TO
 ASME CODE YEAR UPDATE.

COMANCHE PEAK UNIT 1
 INSERVICE INSPECTION PLAN
 CLASS 1 COMPLETED COMPONENTS

SUMMARY EXAMINATION AREA NUMBER IDENTIFICATION	INSPECTION INTERVAL		PLAN STATUS						PRESERVICE YEAR	INSTRUCTIONS	
	CATGY	NDE	FIRST PERIOD		SECOND PERIOD		THIRD PERIOD				
	ITEM NO	METH	1	2	1	2	3	1	2	**CALIBRATION BLOCK**	
<u>REACTOR COOLANT 1.5-RC-1-020-2501R-1</u>											
021900	TBX-1-4107-5 ELBOW TO PIPE R154I828RB	B-J B9.40	PT	2	-	-	C	-	-	82	RI-ISI EXAM, CAT R-A, ITEM R1.11. EXAM COMPLETED PRIOR TO ASME CODE YEAR UPDATE.
<u>SAFETY INJECTION 1.5-SI-1-025-2501R-1</u>											
023900	TBX-1-4107-FLG 1 FLANGE BOLTING R154 822RB	B-G-2 B7.50	VT-1	2	-	-	C	-	-	84	
<u>SAFETY INJECTION 2-SI-1-059-2501R-1</u>											
026000	TBX-1-4108-FLG 1 FLANGE BOLTING R154 820RB	B-G-2 B7.50	VT-1	2	-	-	C	-	-	84	
<u>REACTOR COOLANT 2-RC-1-015-2501R-1</u>											
026600	TBX-1-4109-6 PIPE TO ELBOW R154I813RB	B-J B9.40	PT	2	-	-	C	-	-	82	RI-ISI EXAM, CAT R-A, ITEM R1.11. EXAM COMPLETED PRIOR TO ASME CODE YEAR UPDATE. REPLACES WELD TBX-1-4105-8. REFER TO SECTION 6.0 OF ISI PROGRAM PLAN.
<u>CHEMICAL & VOLUME CONTROL 2-CS-1-103-2501R-1</u>											
029100	TBX-1-4111-FLG 1 FLANGE BOLTING A23 830RB	B-G-2 B7.50	VT-1	2	-	-	C	-	-	84	

COMANCHE PEAK UNIT 1
 INSERVICE INSPECTION PLAN
 CLASS 1 COMPLETED COMPONENTS

SUMMARY EXAMINATION AREA NUMBER IDENTIFICATION	INSPECTION INTERVAL	PLAN STATUS						PRESERVICE YEAR	INSTRUCTIONS
		ASME	SEC. XI	FIRST PERIOD		SECOND PERIOD			
CATGY NDE	ITEM NO METH	O U T A G E						**CALIBRATION BLOCK**	
		1	2	1	2	3	1	2	

REACTOR COOLANT 29-RC-1-023-WEST-1

029200 TBX-1-4200-1 R-A UT 82 TDLR VERIFICATION BOUNDARY.
 RPV NOZZLE TO SAFE END R1.15 ET 2 - - - - - C - B-F WELD. RELIEF REQUEST B-8.
 R157 860RB

029300 TBX-1-4200-2 R-A UT 82 TDLR VERIFICATION BOUNDARY.
 SAFE END TO PIPE R1.20 ET 2 - - - - - C - B-J WELD. RELIEF REQUEST B-8.
 R157 860RB

REACTOR COOLANT 27.5-RC-1-025-WEST-1

030400 TBX-1-4200-13 R-A UT 82 TDLR VERIFICATION BOUNDARY.
 ELBOW TO SAFE END R1.20 2 - - - - - C B-J WELD.
 R157 860RB
 RV-6

030500 TBX-1-4200-14 R-A UT 82 TDLR VERIFICATION BOUNDARY.
 SAFE END TO RPV NOZZLE R1.15 2 - - - - - C B-F WELD.
 R157 860RB
 RV-6

REACTOR COOLANT 10-RC-1-037-2501R-1

031200 TBX-1-4201-1 R-A UT 82 B-J WELD. CHOSEN AS A
 BRANCH CONNECTION TO ELBOW R1.20 2 - - - - - C REPLACEMENT RI-ISI EXAM IN
 R154J829RB 1RF13.
 TBX-9

031400 TBX-1-4201-3 R-A UT 82 B-J WELD.
 PIPE TO ELBOW R1.20 2 - - - - - C
 R154J831RB
 TBX-9, PDI-03

COMANCHE PEAK UNIT 1
 INSERVICE INSPECTION PLAN
 CLASS 1 COMPLETED COMPONENTS

SUMMARY EXAMINATION AREA NUMBER IDENTIFICATION	INSPECTION INTERVAL		PLAN STATUS			PRESERVICE YEAR	INSTRUCTIONS
	ASME SEC. XI CATGY NDE ITEM NO METH		FIRST PERIOD	SECOND PERIOD	THIRD PERIOD		
			1 2	1 2 3	1 2		**CALIBRATION BLOCK**
<hr/>							
<u>REACTOR COOLANT 10-RC-1-037-2501R-1</u>							
031500	TBX-1-4201-4 ELBOW TO PIPE R154J831RB	R-A UT R1.20	2 - -	- - -	C -	82	B-J WELD. **TBX-9, PDI-03**
<u>SAFETY INJECTION 10-SI-1-180-2501R-1</u>							
032000	TBX-1-4201-9 PIPE TO ELBOW R154J831RB	R-A UT R1.16	2 - -	- - -	C -	81	B-J WELD. <i>RR B-10</i> **TBX-9, PDI-03**
032100	TBX-1-4201-10 ELBOW TO PIPE R154J831RB	R-A UT R1.16	2 - -	- - -	C -	81	B-J WELD. <i>RR B-10</i> **TBX-9, PDI-03**
<u>SAFETY INJECTION 6-SI-1-101-2501R-1</u>							
036400	TBX-1-4203-8949B-BLT VALVE BODY BOLTING R154J831RB	B-G-2 VT-1 B7.70	2 - -	- - -	C -	84	
<u>REACTOR COOLANT 6-RC-1-029-2501R-1</u>							
036600	TBX-1-4203-10 PIPE TO ELBOW R154J831RB	R-A UT R1.20	2 - -	- - -	C -	82	B-J WELD. **TBX-5, PDI-03**
<u>SAFETY INJECTION 1.5-SI-1-026-2501R-1</u>							
041400	TBX-1-4205-FLG 1 FLANGE BOLTING R154B831RB	B-G-2 VT-1 B7.50	2 - -	C - -	- -	84	

COMANCHE PEAK UNIT 1
 INSERVICE INSPECTION PLAN
 CLASS 1 COMPLETED COMPONENTS

SUMMARY EXAMINATION AREA NUMBER IDENTIFICATION	INSPECTION INTERVAL ASME SEC. XI CATGY NDE ITEM NO METH	PLAN STATUS			PRESERVICE YEAR	INSTRUCTIONS **CALIBRATION BLOCK**
		FIRST PERIOD	SECOND PERIOD	THIRD PERIOD		
		1 2	1 2 3	1 2		

CHEMICAL & VOLUME CONTROL 1.5-CS-1-249-2501R-1

043500 TBX-1-4208-FLG 1 B-G-2 VT-1 85
 FLANGE BOLTING B7.50 2 - - - - - C -
 R154J830RB

REACTOR COOLANT 29-RC-1-040-WEST-1

043600 TBX-1-4300-1 R-A UT 82 TDLR VERIFICATION BOUNDARY.
 RPV NOZZLE TO SAFE END R1.15 ET 2 - - - - - C - B-F WELD. RELIEF REQUEST B-8.
 R157 860RB

043700 TBX-1-4300-2 R-A UT 82 TDLR VERIFICATION BOUNDARY.
 SAFE END TO PIPE R1.20 ET 2 - - - - - C - B-J WELD. RELIEF REQUEST B-8.
 R157 860RB

REACTOR COOLANT 31-RC-1-041-WEST-1

044300 TBX-1-4300-8 R-A UT 82 TDLR VERIFICATION BOUNDARY.
 ELBOW TO PIPE R1.20 2 - - - - - C B-J WELD.
 R154K817RB
 TBX-57

REACTOR COOLANT 27.5-RC-1-042-WEST-1

044800 TBX-1-4300-13 R-A UT 82 TDLR VERIFICATION BOUNDARY.
 ELBOW TO SAFE END R1.20 2 - - - - - C B-J WELD.
 R157 860RB
 RR B-11
 RV-6

044900 TBX-1-4300-14 R-A UT 82 TDLR VERIFICATION BOUNDARY.
 SAFE END TO RPV NOZZLE R1.15 2 - - - - - C B-F WELD.
 R157 860RB
 RV-6

COMANCHE PEAK UNIT 1
INSERVICE INSPECTION PLAN
CLASS 1 COMPLETED COMPONENTS

SUMMARY EXAMINATION AREA NUMBER IDENTIFICATION	INSPECTION INTERVAL	ASME SEC. XI CATGY NDE ITEM NO METH	PLAN STATUS						PRESERVICE YEAR	INSTRUCTIONS **CALIBRATION BLOCK**		
			FIRST PERIOD		SECOND PERIOD			THIRD PERIOD				
			1	2	1	2	3	1	2			
<u>SAFETY INJECTION 10-SI-1-181-2501R-1</u>												
047200	TBX-1-4301-8956C-BLT VALVE BODY BOLTING R154K823RB	B-G-2 VT-1 B7.70	2	-	-	-	-	-	C	-	84	
<u>REACTOR COOLANT 6-RC-1-046-2501R-1</u>												
050700	TBX-1-4303-10 PIPE TO ELBOW R154K831RB	R-A UT R1.20	2	-	-	-	-	-	C	-	82	B-J WELD. **TBX-5, PDI-03**
050800	TBX-1-4303-11 ELBOW TO PIPE R154K831RB	R-A UT R1.20	2	-	-	-	-	-	C	-	88	B-J WELD. **TBX-5, PDI-03**
<u>REACTOR COOLANT 3-RC-1-052-2501R-1</u>												
052200	TBX-1-4304-5 ELBOW TO PIPE R154K814RB	R-A UT R1.11	2	-	-	-	-	-	C	-	82	B-J WELD.
<u>SAFETY INJECTION 1.5-SI-1-027-2501R-1</u>												
060600	TBX-1-4306-FLG 1 FLANGE BOLTING R154C817RB	B-G-2 VT-1 B7.50	2	-	-	-	-	-	C	-	84	
<u>CHEMICAL & VOLUME CONTROL 2-CS-1-107-2501R-1</u>												
063100	TBX-1-4309-FLG 1 FLANGE BOLTING R154K830RB	B-G-2 VT-1 B7.50	2	-	-	-	-	-	C	-	84	

COMANCHE PEAK UNIT 1
 INSERVICE INSPECTION PLAN
 CLASS 1 COMPLETED COMPONENTS

		INSPECTION INTERVAL		PLAN STATUS						PRESERVICE YEAR	INSTRUCTIONS
				FIRST PERIOD		SECOND PERIOD			THIRD PERIOD		
SUMMARY EXAMINATION AREA		ASME	SEC. XI	----- O U T A G E -----						**CALIBRATION BLOCK**	
NUMBER	IDENTIFICATION	CATGY	NDE	1	2	1	2	3	1		2
		ITEM NO	METH								

REACTOR COOLANT 29-RC-1-058-WEST-1

063200 TBX-1-4400-1 R-A UT 82 TDLR VERIFICATION BOUNDARY.
 RPV NOZZLE TO SAFE END R1.15 ET 2 - - - - - C - B-F WELD. RELIEF REQUEST B-8.
 R157 860RB

063300 TBX-1-4400-2 R-A UT 82 TDLR VERIFICATION BOUNDARY.
 SAFE END TO PIPE R1.20 ET 2 - - - - - C - B-J WELD. RELIEF REQUEST B-8.
 R157 860RB

REACTOR COOLANT 31-RC-1-059-WEST-1

063900 TBX-1-4400-8 B-J UT 82 TDLR VERIFICATION BOUNDARY.
 ELBOW TO PIPE B9.11 2 - C - - - - - RI-ISI EXAM, CAT R-A, ITEM
 R154L817RB R1.20. EXAM COMPLETED PRIOR TO
 ASME CODE YEAR UPDATE.
 TBX-57

REACTOR COOLANT 27.5-RC-1-060-WEST-1

064400 TBX-1-4400-13 R-A UT 82 TDLR VERIFICATION BOUNDARY.
 ELBOW TO SAFE END R1.20 2 - - - - - C B-J WELD.
 R157 860RB
 RV-6

064500 TBX-1-4400-14 R-A UT 82 TDLR VERIFICATION BOUNDARY.
 SAFE END TO RPV NOZZLE R1.15 2 - - - - - C B-F WELD.
 R157 860RB
 RV-6

REACTOR COOLANT 12-RC-1-069-2501R-1

065700 TBX-1-4401-3 B-J UT 82 RI-ISI EXAM, CAT. R-A, ITEM
 ELBOW TO PIPE B9.11 2 - C - - - - - NO. R1.11. EXAM COMPLETED
 R154L822RB PRIOR TO ASME CODE YEAR
 UPDATE.
 TBX-12/PDI-03

COMANCHE PEAK UNIT 1
 INSERVICE INSPECTION PLAN
 CLASS 1 COMPLETED COMPONENTS

SUMMARY EXAMINATION AREA NUMBER IDENTIFICATION	INSPECTION INTERVAL		PLAN STATUS			PRESERVICE YEAR	INSTRUCTIONS
	ASME SEC. XI CATGY NDE ITEM NO METH		FIRST PERIOD	SECOND PERIOD	THIRD PERIOD		
			O U T A G E				**CALIBRATION BLOCK**
			1 2	1 2 3	1 2		

REACTOR COOLANT 12-RC-1-069-2501R-1

065900	TBX-1-4401-5 ELBOW TO PIPE R154L817RB	B-J UT B9.11	2 - C	- - -	- - -	82	RI-ISI EXAM, CAT. R-A, ITEM NO. R1.11. EXAM COMPLETED PRIOR TO ASME CODE YEAR UPDATE. **TBX-12/PDI-03**
--------	---	-----------------	-------	-------	-------	----	---

RESIDUAL HEAT REMOVAL 12-RH-1-002-2501R-1

066400	TBX-1-4401-10 PIPE TO ELBOW R154D817RB	B-J UT B9.11	2 - C	- - -	- - -	82	RI-ISI EXAM, CAT R-A, ITEM R1.20. EXAM COMPLETED PRIOR TO ASME CODE YEAR UPDATE. **TBX-12/PDI-03**
--------	--	-----------------	-------	-------	-------	----	---

REACTOR COOLANT 10-RC-1-078-2501R-1

066900	TBX-1-4402-1 BRANCH CONNECTION TO ELBOW R154L827RB	B-J UT B9.11	2 - C	- - -	- - -	82	TDLR VERIFICATION BOUNDARY. RI-ISI EXAM, CAT R-A, ITEM R1.20. EXAM COMPLETED PRIOR TO ASME CODE YEAR UPDATE. REPLACES WELD TBX-1-4402-2. REFER TO SECTION 6.0 OF ISI PROGRAM PLAN. **TBX-9/PDI-03**
--------	--	-----------------	-------	-------	-------	----	--

067100	TBX-1-4402-3 PIPE TO ELBOW R154L832RB	B-J UT B9.11	2 - C	- - -	- - -	82	RI-ISI EXAM. EXAM COMPLETED PRIOR TO ASME CODE YEAR UPDATE. **TBX-9/PDI-03**
--------	---	-----------------	-------	-------	-------	----	---

SAFETY INJECTION 1.5-SI-1-202-2501R-1

076300	TBX-1-4407-14 PIPE TO ELBOW R154L822RB	R-A PT R1.20	2 - -	- - -	- C	82	B-J WELD.
--------	--	-----------------	-------	-------	-----	----	-----------

COMANCHE PEAK UNIT 1
 INSERVICE INSPECTION PLAN
 CLASS 1 COMPLETED COMPONENTS

SUMMARY EXAMINATION AREA NUMBER IDENTIFICATION	INSPECTION INTERVAL		PLAN STATUS			PRESERVICE YEAR	INSTRUCTIONS
	ASME SEC. XI CATGY NDE ITEM NO METH		FIRST PERIOD	SECOND PERIOD	THIRD PERIOD		
			O U T A G E				**CALIBRATION BLOCK**
			1 2	1 2 3	1 2		

SAFETY INJECTION 1.5-SI-1-202-2501R-1

076400	TBX-1-4407-15	R-A	PT				82	B-J WELD.
	ELBOW TO PIPE	R1.20		2 - -	- - -	- C		
	R154L822RB							

SAFETY INJECTION 1.5-SI-1-028-2501R-1

077200	TBX-1-4407-FLG 1	B-G-2	VT-1				84	
	FLANGE BOLTING	B7.50		2 - -	- - -	C -		
	R154D822RB							

CHEMICAL & VOLUME CONTROL 1.5-CS-1-244-2501R-1

080200	TBX-1-4410-FLG 1	B-G-2	VT-1				84	
	FLANGE BOLTING	B7.50		2 - -	- - -	C -		
	A29 826RB							

REACTOR COOLANT 14-RC-1-135-2501R-1

080400	TBX-1-4500-2	R-A	UT				82	TDLR VERIFICATION BOUNDARY. B-J WELD.
	PIPE TO PIPE	R1.11		2 - -	- - -	- C		
	R154L832RB							

TBX-19

080500	TBX-1-4500-3	R-A	UT				82	TDLR VERIFICATION BOUNDARY. B-J WELD.
	PIPE TO PIPE	R1.11		2 - -	- - -	C -		
	R154L832RB							

TBX-13

080600	TBX-1-4500-4	R-A	UT				82	TDLR VERIFICATION BOUNDARY. B-J WELD.
	PIPE TO PIPE	R1.11		2 - -	- - -	C -		
	R154L832RB							

TBX-13

COMANCHE PEAK UNIT 1
INSERVICE INSPECTION PLAN
CLASS 1 COMPLETED COMPONENTS

SUMMARY EXAMINATION AREA NUMBER IDENTIFICATION	INSPECTION INTERVAL		PLAN STATUS			PRESERVICE YEAR	INSTRUCTIONS
	ASME SEC. XI CATGY NDE ITEM NO METH		FIRST PERIOD	SECOND PERIOD	THIRD PERIOD		
			1 2	1 2 3	1 2		**CALIBRATION BLOCK**
<hr/>							
<u>REACTOR COOLANT 14-RC-1-135-2501R-1</u>							
080900	TBX-1-4500-70L PIPE TO SAFE END R161B854RB	R-A UT R1.11	2 - -	- - -	- C	82	TDLR VERIFICATION BOUNDARY. B-J WELD. SWOL APPLIWS IN 1RF12 TO TBX-1-4500-7 PER FDA-2006-002339-01, WITH A NEW PDI UT BASELINE EXAM. <i>RR B-6</i> <i>** Ax 16-02, Cx 16-02 **</i>
081000	TBX-1-4500-80L SAFE END TO PRESSURIZER NOZZLE R161B854RB	R-A UT R1.11	2 - -	- - -	- C	82	TDLR VERIFICATION BOUNDARY. B-F WELD. SWOL APPLIED IN 1RF12 TO TBX-1-4500-8 PER FDA-2006-002339-01, WITH A NEW PDI UT BASELINE EXAM. <i>RR B-6</i> <i>** Ax 16-02, Cx 16-02 **</i>
<u>REACTOR COOLANT 6-RC-1-096-2501R-1</u>							
081100	TBX-1-4501-10L PRESSURIZER NOZZLE TO SAFE END R161B905RB	R-A UT R1.20	2 - -	- - -	- C	82	B-F WELD. SWOL APPLIED IN 1RF12 TO TBX-1-4501-1 PER FDA-2006-002339-01 WITH A NEW PDI UT BASELINE EXAM. <i>RR B-6</i> <i>** Ax 8-02, Cx 8-02 **</i>
081200	TBX-1-4501-20L SAFE END TO PIPE R161E905RB	R-A UT R1.20	2 - -	- - -	- C	82	B-J WELD. SWOL APPLIED IN 1RF12 TO TBX-1-4501-2 PER FDA-2006-002339-01 WITH A NEW PDI UT BASELINE EXAM. <i>RR B-6</i> <i>** Ax 8-02, Cx 8-02 **</i>
<u>REACTOR COOLANT 6-RC-1-098-2501R-1</u>							
082200	TBX-1-4501-120L PRESSURIZER NOZZLE TO SAFE END R16AE905RB	B-F UT B5.40	2 C -	- - -	- C	82	RI-ISI EXAM. EXAM COMPLETED PRIOR TO ASME CODE YEAR UPDATE. SWOL APPLIED TO TBX-1-4501-12 IN 1RF12 PER FDA-2006-002339-01, WITH A NEW PDI UT BASELINE EXAM. <i>RR B-6</i> <i>** Ax 8-02, Cx 8-02 **</i>

COMANCHE PEAK UNIT 1
INSERVICE INSPECTION PLAN
CLASS 1 COMPLETED COMPONENTS

SUMMARY EXAMINATION AREA NUMBER IDENTIFICATION	INSPECTION INTERVAL		PLAN STATUS			PRESERVICE YEAR	INSTRUCTIONS
	ASME SEC. XI CATGY NDE ITEM NO METH		FIRST PERIOD	SECOND PERIOD	THIRD PERIOD		
			O U T A G E				**CALIBRATION BLOCK**
			1 2	1 2 3	1 2		
<u>REACTOR COOLANT 6-RC-1-098-2501R-1</u>							
082300	TBX-1-4501-130L SAFE END TO PIPE R161E905RB	R-A R1.20	UT	2 - -	- - -	- C	82 B-J WELD. SWOL APPLIED IN 1RF12 TO TBX-1-4501-13 PER FDA2006-002339-01, WITH A NRE PDI UT BASELINE EXAM. <i>RR B-6</i> <i>** Ax B-02, Cx B-02 **</i>
083000	TBX-1-4501-20 PIPE TO ELBOW R161E905RB	B-J B9.11	UT	.2 C -	- - -	- -	82 RI-ISI EXAM. EXAM COMPLETED PRIOR TO ASME CODE YEAR UPDATE. **TBX-5**
083100	TBX-1-4501-21 ELBOW TO PIPE R161E905RB	B-J B9.11	UT PT	2 C -	- - -	- -	82 RI-ISI EXAM. EXAM COMPLETED PRIOR TO ASME CODE YEAR UPDATE. **TBX-5**
083200	TBX-1-4501-22 PIPE TO VALVE (FLANGED) R161E907RB	B-J B9.11	UT PT	2 C -	- - -	- -	82 RI-ISI EXAM, CAT R-A, ITEM NO. R1.11. EXAM COMPLETED PRIOR TO ASME CODE YEAR UPDATE. **TBX-5**
<u>REACTOR COOLANT 6-RC-1-100-2501R-1</u>							
083300	TBX-1-4501-230L PRESSURIZER NOZZLE TO SAFE END R161E905RB	R-A R1.20	UT	2 - -	- - -	- C	8 B-F WELD. SWOL APPLIED IN 1RF12 TO TBX-1-4501-23 PER FDA-2006-002339-01, WITH A NEW PDI UT BASELINE EXAM. <i>RR B-6</i> <i>** Ax B-02, Cx B-02 **</i>
083400	TBX-1-4501-240L SAFE END TO PIPE R161E905RB	R-A R1.20	UT	2 - -	- - -	- C	82 B-J WELD. SWOL APPLIED IN 1RF12 TO TBX-1-4501-24 PER FDA-2006-002339-01, WITH A NEWPDI UT BASELINE EXAM. <i>RR B-6</i> <i>** Ax B-02, Cx B-02 **</i>

COMANCHE PEAK UNIT 1
INSERVICE INSPECTION PLAN
CLASS 1 COMPLETED COMPONENTS

SUMMARY EXAMINATION AREA NUMBER IDENTIFICATION	INSPECTION INTERVAL	PLAN STATUS			PRESERVICE YEAR	INSTRUCTIONS
		ASME SEC. XI CATGY NDE ITEM NO METH	FIRST PERIOD	SECOND PERIOD		
			- - - - - O U T A G E - - - - -			**CALIBRATION BLOCK**
<u>REACTOR COOLANT 6-RC-1-096-2501R-1</u>						
084500 TBX-1-4501-FLG 1 FLANGE BOLTING R161A907RB	B-G-2 B7.50	VT-1	2 C -	- - -	84	
<u>REACTOR COOLANT 6-RC-1-098-2501R-1</u>						
084600 TBX-1-4501-FLG 2 FLANGE BOLTING R161A907RB	B-G-2 B7.50	VT-1	2 C -	- - -	84	
<u>REACTOR COOLANT 6-RC-1-100-2501R-1</u>						
084700 TBX-1-4501-FLG 3 FLANGE BOLTING R161A907RB	B-G-2 B7.50	VT-1	2 C -	- - -	84	
<u>REACTOR COOLANT 6-RC-1-096-2501R-1</u>						
084800 TBX-1-4501-8010A-BLT VALVE BODY BOLTING R161A908RB	B-G-2 B7.70	VT-1	2 C -	- - -	84	
084810 TBX-1-4501-8010A-INT VALVE BODY INTERNAL SURFACES R161A908RB	B-M-2 B12.50	VT-3	2 C -	- - -	84	GROUP 1 - ONE VALVE WITHIN THE GROUP TO BE EXAMINED
<u>REACTOR COOLANT 6-RC-1-108-2501R-1</u>						
085100 TBX-1-4502-10L PRESSURIZER NOZZLE TO SAFE END R161E905RB	B-F B5.40	UT	2 - C	- - - C	82	TDLR VERIFICATION BOUNDARY. RI-ISI EXAM. EXAM COMPLETED PRIOR TO ASME CODE YEAR UPDATE. SWOL APPLIED IN 1RF129 TO TBX-1-4502-1 PER FQA-2006 002334-01, WITH A NEW PDE UT BASELINE EXAM. RR B-6

COMANCHE PEAK UNIT 1
INSERVICE INSPECTION PLAN
CLASS 1 COMPLETED COMPONENTS

SUMMARY EXAMINATION AREA NUMBER IDENTIFICATION	INSPECTION INTERVAL		PLAN STATUS			PRESERVICE YEAR	INSTRUCTIONS
	ASME SEC. XI CATGY NDE ITEM NO METH		FIRST PERIOD	SECOND PERIOD	THIRD PERIOD		
			1 2	1 2 3	1 2		**CALIBRATION BLOCK**
<hr/>							
<u>REACTOR COOLANT 6-RC-1-108-2501R-1</u>							
085200	TBX-1-4502-20L SAFE END TO PIPE R161E905RB	R-A UT R1.20	2 - -	- - -	- C	82	TDLR VERIFICATION BOUNDARY. B-J WELD. SWOL APPLIED IN 1RF12 TO TBX-1-4502-2 PER FDA-2006-002339-1, WITH A NEW PDI UT BASELINE EXAM. <i>RR B-6</i> **Ax 8-02, Cx 8-02**
<hr/>							
<u>REACTOR COOLANT 3-RC-1-111-2501R-1</u>							
086200	TBX-1-4502-12 VALVE TO PIPE R161E907RB	B-J UT B9.21 PT	2 - C	C - -	- - -	82	TDLR VERIFICATION BOUNDARY. PT REQUIRED PER APPROVAL OF RR B-2. RI-ISI EXAM, CAT R-A. ITEM NO. R1.11. EXAM COMPLETED PRIO TO ASME CODE YEAR UPDATE. **TBX-3/PDI-03** RR B-2
<hr/>							
<u>REACTOR COOLANT 3-RC-1-146-2501R-1</u>							
087800	TBX-1-4502-28 PIPE TO VALVE R161E907RB	B-J UT B9.21 PT	2 - C	C - -	- - -	82	TDLR VERIFICATION BOUNDARY. PT REQUIRED PER APPROVAL OF RR B-2. RI-ISI EXAM, CAT R-A, ITEM NO. R1.11. EXAM COMPLETED PRIOR TO ASME CODE YEAR UPDATE. **TBX-3/PDI-03** RR B-2
<hr/>							
<u>REACTOR COOLANT 4-RC-1-075-2501R-1</u>							
089400	TBX-1-4503-10 PIPE TO REDUCER R155K905RB	R-A UT R1.20	2 - -	- - -	C - -	82	B-J WELD. **TBX-4**
<hr/>							
<u>REACTOR COOLANT 6-RC-1-161-2501R-1</u>							
089500	TBX-1-4503-11 REDUCER TO PIPE R155K906RB	R-A UT R1.20	2 - -	- - -	C - -	82	B-J WELD. **TBX-5**

COMANCHE PEAK UNIT 1
INSERVICE INSPECTION PLAN
CLASS 1 COMPLETED COMPONENTS

SUMMARY EXAMINATION AREA NUMBER IDENTIFICATION		INSPECTION INTERVAL		PLAN STATUS						PRESERVICE YEAR	INSTRUCTIONS	
		ASME	SEC. XI	FIRST PERIOD		SECOND PERIOD		THIRD PERIOD				
		CATGY	NDE	O U T A G E								
		ITEM NO	METH	1	2	1	2	3	1	2	**CALIBRATION BLOCK**	
<u>REACTOR COOLANT 4-RC-1-091-2501R-1</u>												
091400	TBX-1-4503-300L PIPE TO SAFE END R161E907RB	R-A	UT								82	B-J WELD. SWOL APPLIED IN 1RF12 TO TBX-1-4503-30 PER FDA-2006-002339-01, WITH A NEW PDI UT BASELINE EXAM. ** Ax 8-02, Cx 8-02 **
091500	TBX-1-4503-310L SAFE END TO PRESSURIZER NOZZLE R161E907RB	R-A	UT								82	B-F WELD. SWOL APPLIED IN 1RF12 TO TBX-1-4503-31 PER FDA-2006-002339-01, WITH A NEW PDI UT BASELINE EXAM. ** Ax 8-02, Cx 8-02 **
<u>REACTOR COOLANT 4-RC-1-018-2501R-1</u>												
092800	TBX-1-4504-12 PIPE TO PIPE R161E883RB	R-A	UT								82	B-J WELD. **TBX-4**
<u>REACTOR COOLANT 6-RC-1-163-2501R-1</u>												
093400	TBX-1-4504-18 PIPE TO PIPE R161E908RB,	R-A	UT								82	B-J WELD. **TBX-5**
<u>REACTOR COOLANT 4-RC-1-087-2501R-1</u>												
094100	TBX-1-4504-25 PIPE TO PIPE R160B914RB	R-A	UT								82	B-J WELD. **TBX-4**
<u>REACTOR COOLANT 2-RC-1-132-2501R-1</u>												
094700	TBX-1-4505-4 ELBOW TO PIPE R161B898RB	R-A	UT								82	B-J WELD. EXAMINE IN 1RF13 AND REPLACES TBX-1-4505-5. ** PDI-03 **

COMANCHE PEAK UNIT 1
 INSERVICE INSPECTION PLAN
 CLASS 1 COMPLETED COMPONENTS

SUMMARY EXAMINATION AREA NUMBER IDENTIFICATION	INSPECTION INTERVAL		PLAN STATUS						PRESERVICE YEAR	INSTRUCTIONS
	ASME SEC. XI CATGY NDE ITEM NO METH		FIRST PERIOD		SECOND PERIOD		THIRD PERIOD			
			O U T A G E							**CALIBRATION BLOCK**
			1 2		1 2 3		1 2			
<u>SAFETY INJECTION 3-SI-1-303-2501R-1</u>										
097700 TBX-1-4600-4 PIPE TO ELBOW R154A823RB	B-J	UT	B9.21	2 - -	C - -	- -		82	RI-ISI EXAM. EXAM COMPLETED PRIOR TO ASME CODE YEAR UPDATE. **PDI-03**	
097800 TBX-1-4600-5 ELBOW TO PIPE R154A823RB	B-J	UT	B9.21	2 - -	C - -	- -		82	RI-ISI EXAM. EXAM COMPLETED PRIOR TO ASME CODE YEAR UPDATE. **PDI-03**	
<u>SAFETY INJECTION 3-SI-1-033-2501R-1</u>										
098000 TBX-1-4600-7 REDUCER TO PIPE R154D819RB	B-J	UT	B9.21	2 - -	C - -	- -		82	RI-ISI EXAM. EXAM COMPLETED PRIOR TO ASME CODE YEAR UPDATE. **PDI-03**	
098200 TBX-1-4600-9 TEE TO PIPE R154D819RB	B-J	UT	B9.21	2 - -	C - -	- -		82	RI-ISI EXAM. EXAM COMPLETED PRIOR TO ASME CODE YEAR UPDATE. **PDI-03**	
098300 TBX-1-4600-10 PIPE TO TEE R154D819RB	B-J	UT	B9.21	2 - -	C - -	- -		82	RI-ISI EXAM. EXAM COMPLETED PRIOR TO ASME CODE YEAR UPDATE. **PDI-03**	
<u>SAFETY INJECTION 3-SI-1-339-2501R-1</u>										
098700 TBX-1-4600-14 PIPE TO ELBOW R154D822RB	B-J	UT	B9.21	2 - -	C - -	- -		82	RI-ISI EXAM. EXAM COMPLETED PRIOR TO ASME CODE YEAR UPDATE. **PDI-03**	

COMANCHE PEAK UNIT 1
 INSERVICE INSPECTION PLAN
 CLASS 1 COMPLETED COMPONENTS

SUMMARY EXAMINATION AREA NUMBER IDENTIFICATION	INSPECTION INTERVAL		PLAN STATUS						PRESERVICE YEAR	INSTRUCTIONS
	ASME SEC. XI CATGY NDE ITEM NO METH		FIRST PERIOD	SECOND PERIOD	O U T A G E			THIRD PERIOD		
			1 2	1 2 3	1 2				**CALIBRATION BLOCK**	
<u>SAFETY INJECTION 3-SI-1-339-2501R-1</u>										
098800 TBX-1-4600-15 ELBOW TO PIPE R154D822RB	B-J B9.21	UT	2 - -	C - - -				82	RI-ISI EXAM. EXAM COMPLETED PRIOR TO ASME CODE YEAR UPDATE. **PDI-03**	
<u>REACTOR COOLANT TBX-RCPCPC-02</u>										
099600 TBX-1-5100A-2SB1-12 RC PUMP 2 #1 SEAL BOLTING (2-B1/2-B12) R155I832RB	B-G-2 B7.60	VT-1	2 - -	- - -	C -			84	TDLR VERIFICATION BOUNDARY.	
100000 TBX-1-5100A-2FB1-24 RC PUMP 2 MAIN FLANGE BOLTS (2-B1/2-B2) R155I832RB	B-G-1 B6.180	UT	2 - -	- - -	C -			79	TDLR VERIFICATION BOUNDARY. STUDS WERE REPLACED WITH BOLTS. **TBX-54**	
100050 TBX-1-5100A-2-FLG RC PUMP 2 MAIN FLANGE SURFACE R155I832RB	B-G-1 B6.190	VT-1	2 - -	- - -	C -			79	WHEN DISASSEMBLED. TDLR VERIFICATION BOUNDARY.	
100800 TBX-1-5100C-2-1 RC PUMP 2 CASING WELD R155I832RB	B-L-1 B12.10	VT-1	2 - -	- - -	C -			77	TDLR VERIFICATION BOUNDARY. REFER TO RG 1.147 (N-619).	

4.2 CLASS 2 NDE

This subsection describes the examination areas and NDE methods for the Class 2 pressure retaining components and associated component integral welded attachments as specified in Article IWC of the Code. For pressure testing, see Section 5.

Class 2 valve body welds have been grouped according to design, size, function and service in a system in accordance with Table IWC-2500-1, Category C-G, Note 1 of the Code. These groups are delineated below. One valve from each group has been selected for examination as denoted by the asterisk "*".

Group 1 - 8" Forged Gate Valves, MS Safety Isolation

1MS-026
1MS-063
1MS-098 * (reference TBX-2-2200 for location)
1MS-134

Group 2 - 18" Forged Gate Valves, Main Feedwater Isolation

1FW-071
1FW-077 * (reference TBX-2-2201 for location)
1FW-083
1FW-089

Group 3 - 6" Forged Check Valves, Feedwater

1FW-191 - Valve was removed in 1RF12 per SGR
1FW-192 - Valve was removed in 1RF12 per SGR
1FW-193 - Valve was removed in 1RF12 per SGR
1FW-194 - Valve was removed in 1RF12 per SGR
1FW-195
1FW-196
1FW-197 * (reference TBX-2-2202 for location)
1FW-198
1FW-199
1FW-200
1FW-201
1FW-202

Group 4 " Forged Gate Valves, Auxiliary Feedwater Isolation

- 1FW-203 - Valve was removed in 1RF12 per SGR
- 1FW-204 - Valve was removed in 1RF12 per SGR
- 1FW-205 * (reference TBX-2-2202 for location, examined prior to removal in 1RF12 for SGR)
- 1FW-206 - Valve was removed in 1RF12 per SGR

Group 5 2" Forged Gate Valves, Containment Spray Isolation

- 1CT-0026
- 1CT-0028
- 1CT-0078
- 1CT-0084 * (reference TBX-2-2576 for location)

Group 6 2" Forged Gate Valve, Safety Injection

- 1SI-0048 * (reference TBX-2-2582 for location)

COMANCHE PEAK UNIT 1
 INSERVICE INSPECTION PLAN
 CLASS 2 COMPLETED COMPONENTS

SUMMARY EXAMINATION AREA NUMBER IDENTIFICATION	INSPECTION INTERVAL		PLAN STATUS			PRESERVICE YEAR	INSTRUCTIONS
	ASME SEC. XI CATGY NDE ITEM NO METH		FIRST PERIOD	SECOND PERIOD	THIRD PERIOD		
			1 2	1 2 3	1 2		**CALIBRATION BLOCK**
<hr/>							
<u>MAIN STEAM TBX-RCPCSG-03</u>							
101550 TBX-2-1100-3-2NSG SG3 TUBESHEET TO SHELL WELD R155J841RB	C-A	UT	2 - -	- - -	- C	82	ONLY 1 SG REQUIRED TO BE EXAMINED, SG3 SELECTED. TDLR VERIFICATION BOUNDARY. REFER TO RG 1.147 (N-435-1) FOR SURFACE EXAM AS AN ALTERNATIVE. NEW SG INSTALLED IN 1RF12 PER FDA-2003-002426. **TBX-62**
101850 TBX-2-1100-3-7NSG SG3 ELLIPTICAL HEAD TO UPPER SHELL WELD R155J841RB	C-B	UT	2 - -	- - -	- C	82	ONLY 1 SG REQUIRED TO BE EXAMINED, SG3 SELECTED. TDLR VERIFICATION BOUNDARY. REFER TO RG 1.147 (N-435-1) FOR SURFACE EXAM AS AN ALTERNATIVE. NEW SG INSTALLED IN 1RF12 PER FDA-2003-002426. **TBX-63**
102001 TBX-2-1100-3-9NSG SG3 FEEDWATER NOZZLE TO VESSEL WELD R155J841RB	C-B	UT	2 - -	- - -	- C	82	ONLY 1 SG REQUIRED TO BE EXAMINED, SG3 SELECTED. TDLR VERIFICATION BOUNDARY. THIS WELD WAS ADDED BY INSTALLING A NEW SGR IN 1RF12 PER FDA-2003-002426. **TBX-63**
102051 TBX-2-1100-3-9IRNSG SG3 FEEDWATER NOZZLE INNER RADIUS R155J841RB	C-B	UT	2 - -	- - -	- C	NA	ONLY 1 SG REQUIRED TO BE EXAMINED, SG3 SELECTED. TDLR VERIFICATION BOUNDARY. NEW SG INSTALLED IN 1RF12 PER FDA-2003-002426. **TBX-56**
102101 TBX-2-1100-3-10NSG SG3 AUX. FEEDWATER NOZZLE TO VESSEL WELD R155J841RB	C-B	UT	2 - -	- - -	- C	82	ONLY 1 SG REQUIRED TO BE EXAMINED, SG3 SELECTED. TDLR VERIFICATION BOUNDARY. NEW SG INSTALLED IN 1RF12 PER FDA-2003-002426. **TBX-63**

COMANCHE PEAK UNIT 1
 INSERVICE INSPECTION PLAN
 CLASS 2 COMPLETED COMPONENTS

SUMMARY EXAMINATION AREA NUMBER IDENTIFICATION	INSPECTION INTERVAL		PLAN STATUS			PRESERVICE YEAR	INSTRUCTIONS **CALIBRATION BLOCK**
	ASME SEC. XI CATGY NDE ITEM NO METH		FIRST PERIOD	SECOND PERIOD	THIRD PERIOD		
<u>RESIDUAL HEAT REMOVAL TBX-RHAHRS-01</u>							
103100 TBX-2-1120-1-2WS RHR HX1 WELDED SUPPORT R69 790SB	C-C PT C3.10		2 C -	- - -	- - -	84	ONLY 1 HX REQUIRED TO BE EXAMINED, HX1 SELECTED
<u>CHEMICAL & VOLUME CONTROL TBX-CSAHL-01</u>							
103300 TBX-2-1140-1 HORZ. LETDOWN HX HEAD TO FLANGE WELD R81 811SB	C-A UT C1.20		2 - C	- - -	- - -	82	REFER TO RG 1.147 (N-435-1) FOR SURFACE EXAM AS AN ALTERNATIVE. **TBX-31**
<u>CHEMICAL & VOLUME CONTROL TBX-CSAHRG-01</u>							
103400 TBX-2-1150-1 REGENERATIVE HX HEAD TO TEE WELD R155C833RB	C-A UT C1.20		2 - -	- - C	- - -	82	REFER TO RG 1.147 (N-435-1) FOR SURFACE EXAM AS AN ALTERNATIVE. **TBX-9**
103500 TBX-2-1150-2 REGENERATIVE HX HEAD TO TEE WELD R155C833RB	C-A UT C1.20		2 - -	- - C	- - -	82	REFER TO RG 1.147 (N-435-1) FOR SURFACE EXAM AS AN ALTERNATIVE. **TBX-9**
103600 TBX-2-1150-3 REGENERATIVE HX SHELL TO TEE WELD R155C833RB	C-A UT C1.10		2 - -	- - C	- - -	82	REFER TO RG 1.147 (N-435-1) FOR SURFACE EXAM AS AN ALTERNATIVE. **TBX-8**
103700 TBX-2-1150-4 REGENERATIVE HX SHELL TO TEE WELD R155C833RB	C-A UT C1.10		2 - -	- - C	- - -	82	REFER TO RG 1.147 (N-435-1) FOR SURFACE EXAM AS AN ALTERNATIVE. **TBX-8**

COMANCHE PEAK UNIT 1
INSERVICE INSPECTION PLAN
CLASS 2 COMPLETED COMPONENTS

SUMMARY EXAMINATION AREA NUMBER IDENTIFICATION	INSPECTION INTERVAL ASME SEC. XI CATGY NDE ITEM NO METH	PLAN STATUS			PRESERVICE YEAR	INSTRUCTIONS
		FIRST PERIOD	SECOND PERIOD	THIRD PERIOD		
		1 2	1 2 3	1 2		**CALIBRATION BLOCK**

CHEMICAL & VOLUME CONTROL TBX-CSAHRG-01

103800	TBX-2-1150-5 REGENERATIVE HX SHELL TO TUBESHEET WELD R155C833RB	C-A UT C1.30	2 - -	- - C	- -	82	REFER TO RG 1.147 (N-435-1) FOR SURFACE EXAM AS AN ALTERNATIVE. **TBX-8**
103900	TBX-2-1150-6 REGENERATIVE HX SHELL TO TUBESHEET WELD R155C833RB	C-A UT C1.30	2 - -	- - C	- -	82	REFER TO RG 1.147 (N-435-1) FOR SURFACE EXAM AS AN ALTERNATIVE. **TBX-8**

CHEMICAL & VOLUME CONTROL TBX-TRAHLR-01

104200	TBX-2-1160-1 LETDOWN REHEAT HX HEAD TO SHELL WELD R91 833SB	C-A PT C1.20	2 - C	- - -	- -	82	PT in lieu of UT per Code Case N-435-1.
104300	TBX-2-1160-2 LETDOWN REHEAT HX SHELL TO FLANGE WELD R91 833SB	C-A PT C1.10	2 - C	- - -	- -	82	PT in lieu of UT per Code case N-435-1.

CONTAINMENT SPRAY CP1-CTAHCs-02

104500	TBX-2-1180-2-1 CT HX2 HEAD TO SHELL WELD R69 795SB	C-A UT C1.20	2 - -	- - -	- C	86	ONLY 1 HX REQUIRED TO BE EXAMINED, HX2 SELECTED. **TBX-31**
104600	TBX-2-1180-2-2 CT HX2 SHELL TO FLANGE WELD R69 795SB	C-A UT C1.10	2 - -	- - -	- C	86	ONLY 1 HX REQUIRED TO BE EXAMINED, HX2 SELECTED. RR C-7 **TBX-31**

COMANCHE PEAK UNIT 1
 INSERVICE INSPECTION PLAN
 CLASS 2 COMPLETED COMPONENTS

SUMMARY EXAMINATION AREA NUMBER IDENTIFICATION	INSPECTION INTERVAL ASME SEC. XI CATGY NDE ITEM NO METH	PLAN STATUS			PRESERVICE YEAR	INSTRUCTIONS **CALIBRATION BLOCK**
		FIRST PERIOD	SECOND PERIOD	THIRD PERIOD		
		1 2	1 2 3	1 2		

CONTAINMENT SPRAY CP1-CTAHCS-02

104700	TBX-2-1180-2-3 CT HX2 INLET NOZZLE TO SHELL WELD R68 795SB	C-B C2.21	UT PT	2 - -	- C - - -	86	ONLY 1 HX REQUIRED TO BE EXAMINED, HX2 SELECTED. **TBX-31,SSCB-1**
104800	TBX-2-1180-2-4 CT HX2 OUTLET NOZZLE TO SHELL WELD R68 795SB	C-B C2.21	UT PT	2 - -	- C - - -	NA	ONLY 1 HX REQUIRED TO BE EXAMINED, HX2 SELECTED. **TBX-31,SSCB-1**
104900	TBX-2-1180-2-1WS CT HX2 WELDED SUPPORT R68 795SB	C-C C3.10	PT	2 - -	- C - - -	86	ONLY 1 HX REQUIRED TO BE EXAMINED, HX2 SELECTED.
105000	TBX-2-1180-2-2WS CT HX2 WELDED SUPPORT R68 795SB	C-C C3.10	PT	2 - -	- C - - -	86	ONLY 1 HX REQUIRED TO BE EXAMINED, HX2 SELECTED.

FEEDWATER 6-FW-1-095-1303-2

114600	TBX-2-2102-14 PIPE TO TEE R100B862SB	R-A R1.20	UT	2 - -	- - - C -	NA	TDLR VERIFICATION BOUNDARY. C-F-2 WELD. REPLACED WELD TBX-2-2102-17 IN 1RF13. **TBX-35, PDI-02**
114700	TBX-2-2102-15 TEE TO PIPE R100B862SB	R-A R1.20	UT	2 - -	- - - C -	NA	TDLR VERIFICATION BOUNDARY. C-F-1 WELD. **TBX-35, PDI-02**
114800	TBX-2-2102-16 PIPE TO ELBOW R100B862SB	R-A R1.20	UT	2 - -	- - - C -	NA	TDLR VERIFICATION BOUNDARY. C-F-2 WELD. **TBX-35, PDI-02**

COMANCHE PEAK UNIT 1
 INSERVICE INSPECTION PLAN
 CLASS 2 COMPLETED COMPONENTS

SUMMARY EXAMINATION AREA NUMBER IDENTIFICATION	INSPECTION INTERVAL		PLAN STATUS			PRESERVICE YEAR	INSTRUCTIONS
	CATGY	NDE	FIRST PERIOD	SECOND PERIOD	THIRD PERIOD		
			1 2	1 2 3	1 2		**CALIBRATION BLOCK**
<hr/>							
<u>MAIN STEAM 8-MS-1-240-1303-2</u>							
123900	TBX-2-2200-MS-063 VALVE BODY WELD R108 882SB	C-G C6.20	MT 2 - -	- C -	- - -	82	TDLR VERIFICATION BOUNDARY. GROUP 1 - ONE VALVE WITHIN THE GROUP TO BE EXAMINED. REFER TO RG 1.147 (N-617).
<u>FEEDWATER 18-1-FW-035-2003-2</u>							
129350	TBX-2-2201-FW-077 VALVE BODY WELD R100A856SB	C-G C6.20	MT 2 C -	- - -	- - -	82	TDLR VERIFICATION BOUNDARY. GROUP 2 - ONE VALVE WITHIN THE GROUP TO BE EXAMINED. REFER TO RG 1.147 (N-617).
<u>FEEDWATER 6-FW-1-092-2003-2</u>							
130100	TBX-2-2202-FW-205 VALVE BODY WELD R100A860SB	C-G C6.20	MT 2 C -	- - -	- - -	82	GROUP 4 - ONE VALVE WITHIN THE GROUP TO BE EXAMINED. REFER TO RG 1.147 (N-617).
<u>FEEDWATER 6-FW-1-096-1303-2</u>							
132100	TBX-2-2202-23 ELBOW TO PIPE R100C864SB	R-A R1.20	UT 2 - -	- - -	C -	NA	TDLR VERIFICATION BOUNDARY. C-F-2 WELD. **TBX-35, PDI-02**
132200	TBX-2-2202-24 PIPE TO ELBOW R100C864SB	R-A R1.20	UT 2 - -	- - -	C -	NA	TDLR VERIFICATION BOUNDARY. C-F-2 WELD. **TBX-35, PDI-02**
132300	TBX-2-2202-25 ELBOW TO PIPE R100C864SB	R-A R1.20	UT 2 - -	- - -	- C	NA	TDLR VERIFICATION BOUNDARY. C-F-2 WELD. **TBX-35, PDI-02**

COMANCHE PEAK UNIT 1
 INSERVICE INSPECTION PLAN
 CLASS 2 COMPLETED COMPONENTS

SUMMARY EXAMINATION AREA NUMBER IDENTIFICATION	INSPECTION INTERVAL		PLAN STATUS			PRESERVICE YEAR	INSTRUCTIONS
	ASME SEC. XI CATGY NDE ITEM NO METH		FIRST PERIOD	SECOND PERIOD	THIRD PERIOD		
			1 2	1 2 3	1 2		**CALIBRATION BLOCK**
<hr/>							
<u>FEEDWATER 6-FW-1-096-1303-2</u>							
133250	TBX-2-2202-FW-197 VALVE BODY WELD R155A864RB	C-G MT C6.20	2 - -	- - -	- C	82	TDLR VERIFICATION BOUNDARY. GROUP 3 - ONE VALVE WITHIN THE GROUP TO BE EXAMINED. REPLACES VALVE 1FW-0193 WHICH WAS REMOVED IN 1RF12 PER SGR AND FDA-2005-000224-02.
<hr/>							
<u>FEEDWATER 16-FW-1-073-1303-2</u>							
146400	TBX-2-2301-1 NOZZLE TO REDUCING ELBOW R155J841RB	C-F-2 UT C5.51 MT	2 C -	- - -	- -	82	TDLR VERIFICATION BOUNDARY. RI-ISI EXAM, CAT R-A, ITEM NO. R1.11. EXAM COMPLETED PRIOR TO ASME CODE YEAR UPDATE. THIS WELD WAS LATER REMOVED IN 1RF12 PER SGR AND FDA-2005-000224-01. **TBX-20**
<hr/>							
<u>FEEDWATER 6-FW-1-097-1303-2</u>							
151800	TBX-2-2302-23 ELBOW TO PIPE R100D864SB	R-A UT R1.20	2 - -	- - -	C -	NA	TDLR VERIFICATION BOUNDARY. C-F-2 WELD. **TBX-35, PDI-02**
<hr/>							
151900	TBX-2-2302-24 PIPE TO ELBOW R100D864SB	R-A UT R1.20	2 - -	- - -	C -	NA	TDLR VERIFICATION BOUNDARY. C-F-2 WELD. **TBX-35**
<hr/>							
152000	TBX-2-2302-25 ELBOW TO PIPE R100D864SB	R-A UT R1.20	2 - -	- - -	C -	NA	TDLR VERIFICATION BOUNDARY. C-F-2 WELD. **TBX-35**

COMANCHE PEAK UNIT 1
 INSERVICE INSPECTION PLAN
 CLASS 2 COMPLETED COMPONENTS

SUMMARY EXAMINATION AREA NUMBER IDENTIFICATION	INSPECTION INTERVAL		PLAN STATUS						PRESERVICE YEAR	INSTRUCTIONS **CALIBRATION BLOCK**		
	ASME	SEC. XI	FIRST PERIOD		SECOND PERIOD			THIRD PERIOD				
	CATGY	NDE	1	2	1	2	3	1	2			
<u>FEEDWATER 6-FW-1-098-1303-2</u>												
168000	TBX-2-2402-23 ELBOW TO PIPE R100A864SB	R-A	UT	2	-	-	-	-	C	-	82	TDLR VERIFICATION BOUNDARY. C-F-2 WELD. **TBX-35, PDI-02**
168100	TBX-2-2402-24 PIPE TO ELBOW R100A864SB	R-A	UT	2	-	-	-	-	C	-	82	TDLR VERIFICATION BOUNDARY. C-F-2 WELD. **TBX-35, PDI-02**
168200	TBX-2-2402-25 ELBOW TO PIPE R100A864SB	R-A	UT	2	-	-	-	-	C	-	82	TDLR VERIFICATION BOUNDARY. C-F-2 WELD. **TBX-35, PDI-02**
169000	TBX-2-2402-33 ELBOW TO PIPE R155L864RB	R-A	UT	2	-	-	-	-	C	-	NA	TDLR VERIFICATION BOUNDARY. C-F-2 WELD. **TBX-35, PDI-02**
<u>RESIDUAL HEAT REMOVAL 12-RH-1-003-601R-2</u>												
173600	TBX-2-2500-2 PIPE TO PIPE R154A817RB	C-F-1	UT	2	-	C	-	-	-	-	NA	RI-ISI EXAM. EXAM COMPLETED PRIOR TO ASME CODE YEAR UPDATE. **TBX-11/PDI-04**
174100	TBX-2-2500-7 PIPE TO ELBOW R77B 817SB	C-F-1	UT	2	-	C	-	-	-	-	NA	RI-ISI EXAM. EXAM COMPLETED PRIOR TO ASME CODE YEAR UPDATE. **TBX-11/PDI-04**
174200	TBX-2-2500-8 ELBOW TO PIPE R77B 816SB	C-F-1	UT	2	-	C	-	-	-	-	NA	RI-ISI EXAM. EXAM COMPLETED PRIOR TO ASME CODE YEAR UPDATE. **TBX-11/PDI-04**

COMANCHE PEAK UNIT 1
 INSERVICE INSPECTION PLAN
 CLASS 2 COMPLETED COMPONENTS

SUMMARY EXAMINATION AREA NUMBER IDENTIFICATION	INSPECTION INTERVAL ASME SEC. XI CATGY NDE ITEM NO METH	PLAN STATUS			PRESERVICE YEAR	INSTRUCTIONS
		FIRST PERIOD	SECOND PERIOD	THIRD PERIOD		
		O U T A G E				
		1 2	1 2 3	1 2		**CALIBRATION BLOCK**

RESIDUAL HEAT REMOVAL 10-RH-1-015-601R-2

184700	TBX-2-2520-8 PIPE TO TEE R62F 789SB	C-F-1 UT C5.11	2 - -	C - - -	NA	RI-ISI EXAM. EXAM COMPLETED PRIOR TO ASME CODE YEAR UPDATE. REPLACES WELD **TBX-10, PDI-04**
--------	---	-------------------	-------	---------	----	---

RESIDUAL HEAT REMOVAL 8-RH-1-020-601R-2

186100	TBX-2-2520-22 ELBOW TO PIPE R62H 789SB	C-F-1 UT C5.11	2 - -	C - - -	82	RI-ISI EXAM. EXAM COMPLETED PRIOR TO ASME CODE YEAR UPDATE. **TBX-7, PDI-03**
--------	--	-------------------	-------	---------	----	--

186200	TBX-2-2520-23 PIPE TO TEE R62H 787SB	C-F-1 UT C5.11	2 - -	C - - -	NA	RI-ISI EXAM. EXAM COMPLETED PRIOR TO ASME CODE YEAR UPDATE. **TBX-7, PDI-03**
--------	--	-------------------	-------	---------	----	--

RESIDUAL HEAT REMOVAL 8-RH-1-009-601R-2

187200	TBX-2-2520-33 PIPE TO REDUCER R62H 787SB	C-F-1 UT C5.11	2 - -	C - - -	NA	RI-ISI EXAM. EXAM COMPLETED PRIOR TO ASME CODE YEAR UPDATE. **TBX-7, PDI-03**
--------	--	-------------------	-------	---------	----	--

RESIDUAL HEAT REMOVAL 8-RH-1-063-601R-2

189600	TBX-2-2520-57 PIPE TO PIPE R53 777SB	C-F-1 UT C5.11	2 - C	- - -	NA	RI-ISI EXAM. EXAM COMPLETED PRIOR TO ASME CODE YEAR UPDATE. **TBX-7/PDI-03**
--------	--	-------------------	-------	-------	----	---

COMANCHE PEAK UNIT 1
 INSERVICE INSPECTION PLAN
 CLASS 2 COMPLETED COMPONENTS

SUMMARY EXAMINATION AREA NUMBER IDENTIFICATION	INSPECTION INTERVAL		PLAN STATUS						PRESERVICE YEAR	INSTRUCTIONS
	ASME SEC. XI CATGY NDE ITEM NO METH		FIRST PERIOD	SECOND PERIOD	THIRD PERIOD	O U T A G E				
			1	2	1	2	3	1	2	**CALIBRATION BLOCK**

RESIDUAL HEAT REMOVAL 8-RH-1-064-601R-2

196500	TBX-2-2521-50 ELBOW TO PIPE R51 781SB	R-A UT R1.20	2	-	-	-	C	-	-	82	C-F-1 WELD. **PDI-03**
196600	TBX-2-2521-51 PIPE TO ELBOW R51 781SB	R-A UT R1.20	2	-	-	-	C	-	-	82	C-F-1 WELD. **PDI-03**
196700	TBX-2-2521-52 ELBOW TO PIPE R51 781SB	R-A UT R1.20	2	-	-	-	C	-	-	82	C-F-1 WELD. **PDI-03**
196800	TBX-2-2521-53 PIPE TO ELBOW R51 781SB	R-A UT R1.20	2	-	-	-	C	-	-	NA	C-F-1 WELD. **PDI-03**

SAFETY INJECTION 10-SI-1-095-2501R-2

207500	TBX-2-2530-34 PIPE TO ELBOW R77B 823SB	R-A UT R1.20	2	-	-	-	C	-	-	NA	C-F-1 WELD. **PDI-04**
207600	TBX-2-2530-35 ELBOW TO PIPE R77B 823SB	R-A UT R1.20	2	-	-	-	C	-	-	NA	C-F-1 WELD. **PDI-04**
207700	TBX-2-2530-36 PIPE TO ELBOW R77B 823SB	R-A UT R1.20	2	-	-	-	C	-	-	NA	C-F-1 WELD. **PDI-04**

COMANCHE PEAK UNIT 1
 INSERVICE INSPECTION PLAN
 CLASS 2 COMPLETED COMPONENTS

SUMMARY EXAMINATION AREA NUMBER IDENTIFICATION	INSPECTION INTERVAL		PLAN STATUS			PRESERVICE YEAR	INSTRUCTIONS **CALIBRATION BLOCK**
	ASME SEC. XI CATGY NDE ITEM NO METH		FIRST PERIOD	SECOND PERIOD	THIRD PERIOD		
			1 2	1 2 3	1 2		

SAFETY INJECTION 10-SI-1-079-601R-2

209600 TBX-2-2531-14 R-A UT NA C-F-1 WELD.
 PIPE TO ELBOW R1.20 2 - - - C - - -
 R77A 820SB
 PDI-03

209700 TBX-2-2531-15 R-A UT NA C-F-1 WELD.
 ELBOW TO PIPE R1.20 2 - - - C - - -
 R77A 820SB
 PDI-03

RESIDUAL HEAT REMOVAL 10-RH-1-025-601R-2

210800 TBX-2-2532-5 R-A UT NA C-F-1 WELD.
 ELBOW TO PIPE R1.20 2 - - - C - - -
 R62F 789B
 PDI-03

SAFETY INJECTION 10-SI-1-078-601R-2

211800 TBX-2-2532-15 R-A UT NA C-F-1 WELD.
 PIPE TO ELBOW R1.20 2 - - - C - - -
 R77B 818SB
 PDI-03

211900 TBX-2-2532-16 R-A UT NA C-F-1 WELD.
 ELBOW TO PIPE R1.20 2 - - - C - - -
 R77B 818SB
 PDI-03

RESIDUAL HEAT REMOVAL 8-RH-1-027-601R-2

213700 TBX-2-2532-34 R-A UT 82 C-F-1 WELD.
 PIPE TO ELBOW R1.20 2 - - - - C
 R62F 797SB
 PDI-04

COMANCHE PEAK UNIT 1
 INSERVICE INSPECTION PLAN
 CLASS 2 COMPLETED COMPONENTS

SUMMARY EXAMINATION AREA NUMBER IDENTIFICATION	INSPECTION INTERVAL	PLAN STATUS			PRESERVICE YEAR	INSTRUCTIONS
		ASME SEC. XI CATGY NDE ITEM NO METH	FIRST PERIOD	SECOND PERIOD		
			- - - - - O U T A G E - - - - -			
			1 2	1 2 3	1 2	**CALIBRATION BLOCK**

RESIDUAL HEAT REMOVAL 8-RH-1-027-601R-2

213800 TBX-2-2532-35 R-A UT 82 C-F-1 WELD.
 ELBOW TO PIPE R1.20 2 - - - - - C
 R62F 797SB

PDI-04

213900 TBX-2-2532-36 R-A UT NA C-F-1 WELD.
 PIPE TO ELBOW R1.20 2 - - - - - C
 R62F 797SB

PDI-04

SAFETY INJECTION 10-SI-1-082-2501R-2

215400 TBX-2-2533-2 R-A UT NA C-F-1 WELD.
 PIPE TO TEE R1.20 2 - - - - - C
 R154A820RB

TBX-9

215500 TBX-2-2533-3 R-A UT 82 C-F-1 WELD.
 TEE TO PIPE R1.20 2 - - - - - C
 R154A820RB

TBX-9

SAFETY INJECTION 8-SI-1-087-2501R-2

215900 TBX-2-2533-7 R-A UT 84 C-F-1 WELD.
 REDUCING TEE TO PIPE R1.20 2 - - - - - C
 R154A820RB

TBX-18

216000 TBX-2-2533-8 R-A UT NA C-F-1 WELD.
 PIPE TO ELBOW R1.20 2 - - - - - C
 R154A820RB

TBX-18

COMANCHE PEAK UNIT 1
 INSERVICE INSPECTION PLAN
 CLASS 2 COMPLETED COMPONENTS

SUMMARY EXAMINATION AREA NUMBER IDENTIFICATION	INSPECTION INTERVAL		PLAN STATUS			PRESERVICE YEAR	INSTRUCTIONS
	ASME SEC. XI CATGY NDE ITEM NO METH		FIRST PERIOD	SECOND PERIOD	THIRD PERIOD		
			1 2	1 2 3	1 2		**CALIBRATION BLOCK**
<hr/>							
<u>SAFETY INJECTION 8-SI-1-087-2501R-2</u>							
216100	TBX-2-2533-9 ELBOW TO PIPE R154A820RB	R-A UT R1.20	2 - -	- - -	- C	NA	C-F-1 WELD. **TBX-18**
<u>SAFETY INJECTION 10-SI-1-083-2501R-2</u>							
217200	TBX-2-2534-2 PIPE TO TEE R154D821RB	R-A UT R1.20	2 - -	- - -	- C	NA	C-F-1 WELD. **TBX-9**
217300	TBX-2-2534-3 TEE TO PIPE R154D821RB	R-A UT R1.20	2 - -	- - -	- C	82	C-F-1 WELD. **TBX-9**
<u>CONTAINMENT SPRAY 16-CT-1-002-151R-2</u>							
221600	TBX-2-2536-8 PIPE TO ELBOW R62C 788SB	R-A UT R1.20	2 - -	- - -	- C	82	C-F-1 WELD. **TBX-48**
<u>CONTAINMENT SPRAY 16-CT-1-001-151R-2</u>							
222600	TBX-2-2537-7 ELBOW TO PIPE R65 803SB	R-A UT R1.20	2 - -	- - -	- C	82	C-F-1 WELD. **TBX-48**
<u>CHEMICAL & VOLUME CONTROL 8-CS-1-063-151R-2</u>							
241100	TBX-2-2540-20 PIPE TO TEE R203 815AB	R-A UT R1.20	2 - -	- - -	- C	NA	C-F-1-WELD. **PDI-03**

COMANCHE PEAK UNIT 1
 INSERVICE INSPECTION PLAN
 CLASS 2 COMPLETED COMPONENTS

SUMMARY EXAMINATION AREA NUMBER IDENTIFICATION	INSPECTION INTERVAL ASME SEC. XI CATGY NDE ITEM NO METH	PLAN STATUS			PRESERVICE YEAR	INSTRUCTIONS **CALIBRATION BLOCK**
		FIRST PERIOD	SECOND PERIOD	THIRD PERIOD		
		1 2	1 2 3	1 2		

CHEMICAL & VOLUME CONTROL 8-CS-1-063-151R-2

241200	TBX-2-2540-21 TEE TO PIPE R203 815AB	R-A	UT	2 - -	- - -	- C	NA	C-F-1 WELD. **PDI-03**
241300	TBX-2-2540-22 PIPE TO PIPE R203 815AB	R-A	UT	2 - -	- - -	- C	NA	C-F-1 WELD. **PDI-03**
241400	TBX-2-2540-23 PIPE TO TEE R203 815AB	R-A	UT	2 - -	- - -	- C	NA	C-F-1 WELD. **PDI-03**
241500	TBX-2-2540-24 TEE TO PIPE R203 815AB	R-A	UT	2 - -	- - -	- C	NA	C-F-1 WELD. **PDI-03**
241700	TBX-2-2540-26 TEE TO PIPE R203 815AB	R-A	UT	2 - -	- - -	- C	NA	C-F-1 WELD. ADDED IN 1RF14 AND REPLACES TBX-2-2540-25. **PDI-03**

SAFETY INJECTION 6-SI-1-038-151R-2

247100	TBX-2-2541-2 PIPE TO PIPE R62E 775SB	R-A	UT	2 - -	- - C	- -	NA	C-F-1 WELD. **PDI-03**
247200	TBX-2-2541-3 ELBOW TO PIPE WELD R62E 775SB	R-A	UT	2 - -	- - C	- -	NA	C-F-1 WELD. **PDI-03**

COMANCHE PEAK UNIT 1
 INSERVICE INSPECTION PLAN
 CLASS 2 COMPLETED COMPONENTS

SUMMARY EXAMINATION AREA NUMBER IDENTIFICATION	INSPECTION INTERVAL		PLAN STATUS			PRESERVICE YEAR	INSTRUCTIONS
	CATGY	NDE	FIRST PERIOD	SECOND PERIOD	THIRD PERIOD		
	ASME						
	SEC. XI						
	CATGY	NDE	O U T A G E				
	ITEM NO	METH	1 2	1 2 3	1 2		**CALIBRATION BLOCK**

SAFETY INJECTION 6-SI-1-038-151R-2

247700 TBX-2-2541-8 R-A UT NA C-F-1 WELD.
 ELBOW TO PIPE WELD R1.20 2 - - - - C - -
 R62E 775SB
 PDI-03

247800 TBX-2-2541-9 R-A UT NA C-F-1 WELD.
 PIPE TO ELBOW WELD R1.20 2 - - - - C - -
 R62E 775SB
 PDI-03

SAFETY INJECTION 6-SI-1-041-151R-2

249200 TBX-2-2541-23 R-A UT NA C-F-1 WELD.
 PIPE TO ELBOW WELD R1.20 2 - - - - C - -
 R62F 789SB
 PDI-03

249300 TBX-2-2541-24 R-A UT NA C-F-1 WELD.
 TEE TO PIPE WELD R1.20 2 - - - - C - -
 R62F 789SB
 PDI-03

SAFETY INJECTION 6-SI-1-070-151R-2

253500 TBX-2-2542-2 R-A UT NA C-F-1 WELD.
 ELBOW TO PIPE WELD R1.20 2 - - - - C - -
 R60 775SB
 PDI-03

253600 TBX-2-2542-3 R-A UT NA C-F-1 WELD.
 PIPE TO ELBOW WELD R1.20 2 - - - - C - -
 R60 775SB
 PDI-03

COMANCHE PEAK UNIT 1
 INSERVICE INSPECTION PLAN
 CLASS 2 COMPLETED COMPONENTS

SUMMARY EXAMINATION AREA NUMBER IDENTIFICATION	INSPECTION INTERVAL		PLAN STATUS			PRESERVICE YEAR	INSTRUCTIONS
	CATGY	NDE	FIRST PERIOD	SECOND PERIOD	THIRD PERIOD		
	ASME						
	SEC. XI						
			O U T A G E				
	ITEM NO	METH	1 2	1 2 3	1 2		**CALIBRATION BLOCK**

SAFETY INJECTION 6-SI-1-070-151R-2

254100 TBX-2-2542-8 R-A UT NA C-F-1 WELD.
 PIPE TO ELBOW WELD R1.20 2 - - - - C - -
 R60 775SB

PDI-03

254200 TBX-2-2542-9 R-A UT NA C-F-1 WELD.
 PIPE TO ELBOW WELD R1.20 2 - - - - C - -
 R60 775SB

PDI-03

254300 TBX-2-2542-10 R-A UT NA C-F-1 WELD.
 ELBOW TO PIPE WELD R1.20 2 - - - - C - -
 R60 786SB

PDI-03

CHEMICAL & VOLUME CONTROL 6-CS-1-240-151R-2

256900 TBX-2-2550-8 R-A UT NA C-F-1 WELD.
 PIPE TO ELBOW R1.20 2 - - - - - C
 R200 816AB

TBX-6

257000 TBX-2-2550-9 R-A UT NA C-F-1 WELD.
 ELBOW TO PIPE R1.20 2 - - - - - C
 R200 816AB

TBX-6

257100 TBX-2-2550-10 R-A UT NA C-F-1 WELD.
 PIPE TO ELBOW R1.20 2 - - - - - C
 R200 816AB

TBX-6

257200 TBX-2-2550-11 R-A UT 82 C-F-1 WELD.
 ELBOW TO PIPE R1.20 2 - - - - - C
 R200 817AB

TBX-6

DATE: 07/15/11

COMANCHE PEAK UNIT 1
INSERVICE INSPECTION PLAN
CLASS 2 COMPLETED COMPONENTS

PAGE: 67

		INSPECTION INTERVAL		PLAN STATUS			PRESERVICE YEAR
				FIRST PERIOD	SECOND PERIOD	THIRD PERIOD	
SUMMARY EXAMINATION AREA		ASME					
		SEC. XI	-----				
		CATGY NDE	- - - - - O U T A G E - - - - -				INSTRUCTIONS
NUMBER	IDENTIFICATION	ITEM NO METH	1 2	1 2 3	1 2		**CALIBRATION BLOCK**

CHEMICAL & VOLUME CONTROL 6-CS-1-240-151R-2

257300 TBX-2-2550-12 R-A UT NA C-F-1 WELD.
 PIPE TO PIPE R1.20 2 - - - - - C
 R200 818AB
 TBX-6

SAFETY INJECTION 4-SI-1-008-2501R-2

279200 TBX-2-2564-33 R-A UT NA C-F-1 WELD. REPLACES WELD
 PIPE TO ELBOW R1.20 2 - - - - - C TBX-2-2564-45 IN 1RF14.
 R77B 812SB
 TBX-4

280500 TBX-2-2564-46 R-A UT 82 C-F-1 WELD.
 ELBOW TO PIPE R1.20 2 - - - - - C
 R77B 812SB
 TBX-4

CHEMICAL & VOLUME CONTROL 4-CS-1-076-2501R-2

301700 TBX-2-2569-6 R-A UT NA C-F-1 WELD.
 PIPE TO ELBOW R1.20 2 - - - - - C
 R200 818AB
 TBX-4

301800 TBX-2-2569-7 R-A UT NA C-F-1 WELD.
 ELBOW TO PIPE R1.20 2 - - - - - C
 R200 818AB
 TBX-4

302800 TBX-2-2569-17 R-A UT NA C-F-1 WELD.
 PIPE TO TEE R1.20 2 - - - - - C
 R203 818AB
 TBX-4

COMANCHE PEAK UNIT 1
 INSERVICE INSPECTION PLAN
 CLASS 2 COMPLETED COMPONENTS

SUMMARY EXAMINATION AREA NUMBER IDENTIFICATION	INSPECTION INTERVAL		PLAN STATUS						PRESERVIVE YEAR	
	ASME SEC. XI CATGY NDE ITEM NO METH		FIRST PERIOD		SECOND PERIOD		THIRD PERIOD			
			1	2	1	2	3	1	2	INSTRUCTIONS **CALIBRATION BLOCK**
<u>CHEMICAL & VOLUME CONTROL 4-CS-1-076-2501R-2</u>										
302900 TBX-2-2569-18 TEE TO PIPE R203 818AB	R-A R1.20	UT	2	-	-	-	-	-	C	NA C-F-1 WELD. **TBX-4**
<u>CHEMICAL & VOLUME CONTROL 4-CS-1-344-2501R-2</u>										
303200 TBX-2-2569-21 PIPE TO TEE R203 818AB	R-A R1.20	UT	2	-	-	-	-	-	C	NA C-F-1 WELD. **TBX-4**
303300 TBX-2-2569-22 TEE TO PIPE R203 818AB	R-A R1.20	UT	2	-	-	-	-	-	C	NA C-F-1 WELD. **TBX-4**
303400 TBX-2-2569-23 PIPE TO ELBOW R203 818AB	R-A R1.20	UT	2	-	-	-	-	-	C	NA C-F-1 WELD. **TBX-4**
303600 TBX-2-2569-25 PIPE TO ELBOW R203 816AB	R-A R1.20	UT	2	-	-	-	-	-	C	NA C-F-1 WELD. **TBX-4**
303700 TBX-2-2569-26 ELBOW TO PIPE R203 816AB	R-A R1.20	UT	2	-	-	-	-	-	C	NA C-F-1 WELD. **TBX-4**
<u>CHEMICAL & VOLUME CONTROL 4-CS-1-110-2501R-2</u>										
304000 TBX-2-2569-29 PIPE TO ELBOW R203 816AB	R-A R1.20	UT	2	-	-	-	-	-	C	NA C-F-1 WELD. REPLACES WLED TBX-2-2569-24 IN 1RF14. **TBX-4**

COMANCHE PEAK UNIT 1
INSERVICE INSPECTION PLAN
CLASS 2 COMPLETED COMPONENTS

SUMMARY EXAMINATION AREA NUMBER IDENTIFICATION	INSPECTION INTERVAL		PLAN STATUS						PRESERVICE YEAR	
	ASME SEC. XI CATGY NDE ITEM NO METH		FIRST PERIOD		SECOND PERIOD			THIRD PERIOD		
			1	2	1	2	3	1	2	INSTRUCTIONS **CALIBRATION BLOCK**

CHEMICAL & VOLUME CONTROL 4-CS-1-085-2501R-2

307700	TBX-2-2570-6 PIPE TO PIPE R201 818AB	R-A UT R1.20	2	-	-	-	-	-	NA	C-F-1 WELD. **TBX-4**
307800	TBX-2-2570-7 PIPE TO ELBOW R201 818AB	R-A UT R1.20	2	-	-	-	-	-	NA	C-F-1 WELD. **TBX-4**
307900	TBX-2-2570-8 ELBOW TO PIPE R201 818AB	R-A UT R1.20	2	-	-	-	-	-	NA	C-F-1 WELD. **TBX-4**
308300	TBX-2-2570-12 PIPE TO PIPE R201 818AB	R-A UT R1.20	2	-	-	-	-	-	NA	C-F-1 WELD. **TBX-4**

CHEMICAL & VOLUME CONTROL 4-CS-1-110-2501R-2

310300	TBX-2-2570-32 PIPE TO ELBOW R203 814AB	R-A UT R1.20	2	-	-	-	-	-	NA	C-F-1 WELD. **TBX-4**
310400	TBX-2-2570-33 ELBOW TO PIPE R203 814AB	R-A UT R1.20	2	-	-	-	-	-	NA	C-F-1 WELD. **TBX-4**

CONTAINMENT SPRAY 12-CT-1-005-151R-2

323160	TBX-2-2576-1CT-084 VALVE BODY WELD R54 787SB	C-G PT C6.20	2	-	-	C	-	-	NA	GROUP 5 - ONE VALVE WITHIN THE GROUP TO BE EXAMINED. REFER TO RG 1.147 (N-617).
--------	--	-----------------	---	---	---	---	---	---	----	---

COMANCHE PEAK UNIT 1
 INSERVICE INSPECTION PLAN
 CLASS 2 COMPLETED COMPONENTS

SUMMARY EXAMINATION AREA NUMBER IDENTIFICATION	INSPECTION INTERVAL ASME SEC. XI CATGY NDE ITEM NO METH	PLAN STATUS						PRESERVICE YEAR	INSTRUCTIONS **CALIBRATION BLOCK**
		FIRST PERIOD		SECOND PERIOD		THIRD PERIOD			
		1	2	1	2	3	1	2	

SAFETY INJECTION 14-SI-1-071-601R-2

339300 TBX-2-2581-15 R-A UT NA C-F-1 WELD.
 ELBOW TO PIPE R1.20 2 - - - - - C
 R67 790SB
 TBX-47

339400 TBX-2-2581-16 C-F-1 UT NA RI-ISI EXAM. EXAM COMPLETED
 PIPE TO ELBOW C5.11 2 - C - - - - -
 R62F 789SB
 PRIOR TO ASME CODE YEAR UPDATE.
 TBX-47/PDI-03

SAFETY INJECTION 12-SI-1-031-151R-2

341660 TBX-2-2582-1SI-048 C-G PT NA GROUP 6 - ONE VALVE WITHIN THE
 VALVE BODY WELD C6.20 2 - - - - - C
 R85D 804YD
 GROUP TO BE EXAMINED. REFER TO RG 1.147 (N-617).

RESIDUAL HEAT REMOVAL TBX-RHAPRH-01

400000 TBX-2-3100-1-1WS C-C PT 83 ONLY 1 PUMP REQUIRED TO BE
 RHR PUMP #1 WELDED SUPPORT C3.30 2 - - C - - - - -
 R53 773SB
 EXAMINED, PUMP #1 SELECTED. DWG 8X20WDF86X38.

400010 TBX-2-3100-1-2WS C-C PT 83 ONLY 1 PUMP REQUIRED TO BE
 RHR PUMP #1 WELDED SUPPORT C3.30 2 - - C - - - - -
 R53 773SB
 EXAMINED, PUMP #1 SELECTED. DWG 8X20WDF86X38.

400020 TBX-2-3100-1-3WS C-C PT 83 ONLY 1 PUMP REQUIRED TO BE
 RHR PUMP #1 WELDED SUPPORT C3.30 2 - - C - - - - -
 R53 773SB
 EXAMINED, PUMP #1 SELECTED. DWG 8X20WDF86X38.

COMANCHE PEAK UNIT 1
INSERVICE INSPECTION PLAN
CLASS 2 COMPLETED COMPONENTS

		INSPECTION INTERVAL		PLAN STATUS			PRESERVICE YEAR	INSTRUCTIONS
				FIRST PERIOD	SECOND PERIOD	THIRD PERIOD		
SUMMARY EXAMINATION AREA		ASME	SEC. XI	-----				
NUMBER	IDENTIFICATION	CATGY	NDE	O U T A G E				
		ITEM NO	METH	1 2	1 2 3	1 2		**CALIBRATION BLOCK**

CHEMICAL & VOLUME CONTROL TBX-CSAPCH-01

400200	TBX-2-3110-1-1WS CENTRIFUGAL CHARGING PUMP #1 WELDED SUP. R200	C-C	PT	2 - C	- - -	- - -	82	ONLY 1 PUMP REQUIRED TO BE EXAMINED, PUMP #1 SELECTED RR C-4
400210	TBX-2-3110-1-2WS CENTRIFUGAL CHARGING PUMP #1 WELDED SUP. R200	C-C	PT	2 - C	- - -	- - -	82	ONLY 1 PUMP REQUIRED TO BE EXAMINED, PUMP #1 SELECTED RR C-4
400220	TBX-2-3110-1-3WS CENTRIFUGAL CHARGING PUMP #1 WELDED SUP. R200	C-C	PT	2 - C	- - -	- - -	82	ONLY 1 PUMP REQUIRED TO BE EXAMINED, PUMP #1 SELECTED RR C-4
400230	TBX-2-3110-1-4WS CENTRIFUGAL CHARGING PUMP #1 WELDED SUP. R200	C-C	PT	2 - C	- - -	- - -	82	ONLY 1 PUMP REQUIRED TO BE EXAMINED, PUMP #1 SELECTED RR C-4

SAFETY INJECTION TBX-SIAPSI-01

400405	TBX-2-3140-1B1-32 SI PUMP #1 BOLTING (1-B1/1-B32) 460 773SB	C-D	UT	2 - -	- - -	- C	82	ONLY 1 PUMP REQUIRED TO BE EXAMINED, PUMP #1 SELECTED FOR SECOND INTERVAL. **TBX-53**
--------	--	-----	----	-------	-------	-----	----	---

4.3 COMPONENT SUPPORTS

This subsection describes the examination areas and requirements for the Class 1, 2 and 3 component supports and Class 3 Integral Welded Attachments as specified in Article IWF and IWD of the Code, respectively. For pressure testing of Class 3 components, see Section 5.

In lieu of the requirements of Technical Specifications relating to snubbers, specifically those ISI requirements (e.g., plans, schedules, reports, inspector involvement, and Code Data Reports) of ASME Section XI, snubbers shall be demonstrated operable by performance of the augmented inservice inspection program as described in the ASME OM Code, Subsection ISTD..

Note 1 (as used in the item number field of the tables):

This support may have component standard item (F-C) and/or linear type items (F-B); the examination method is identical for all items in both categories. These examinations were all completed prior to the Code Edition change, which adopted ASME section XI, 1998 Edition, 1999 and 2000 Addenda.

5

COMANCHE PEAK UNIT 1
 INSERVICE INSPECTION PLAN
 CLASS 1 COMPLETED COMPONENTS

SUMMARY EXAMINATION AREA NUMBER IDENTIFICATION	INSPECTION INTERVAL		PLAN STATUS			PRESERVICE YEAR	INSTRUCTIONS
	ASME SEC. XI CATGY NDE ITEM NO METH		FIRST PERIOD	SECOND PERIOD	THIRD PERIOD		
			1 2	1 2 3	1 2		**CALIBRATION BLOCK**

CHEMICAL & VOLUME CONTROL 3-CS-1-080-2501R-1

650000 TBX-1-4105-H1 F-A VT-3 NA SPRING
 CS-1-080-002-C41S F1.10 2 - - - C - - -
 R23 829RB

CHEMICAL & VOLUME CONTROL 2-CS-1-105-2501R-1

650400 TBX-1-4208-H4 F-A VT-3 NA SNUBBER
 CS-1-105-700-C41K F1.10 2 - - - - - C -
 R154J826RB

650500 TBX-1-4208-H5 F-A VT-3 NA SPRING
 CS-1-105-701-C41S F1.10 2 - - - - - C -
 R154J826RB

CHEMICAL & VOLUME CONTROL 2-CS-1-109-2501R-1

650800 TBX-1-4410-H3 F-C VT-3 NA SNUBBER
 CS-1-109-700-C41K NOTE 1 2 - C - - - - -
 R29 826RB

650900 TBX-1-4410-H4 F-C VT-3 NA STRUT
 CS-1-109-701-C41R NOTE 1 2 - C - - - - -
 R29 826RB

CHEMICAL & VOLUME CONTROL 2-CS-1-112-2501R-1

652600 TBX-1-4505-H22 F-B VT-3 NA ANCHOR
 CS-1-112-720-C41A NOTE 1 2 C - - - - -
 R29 833RB

COMANCHE PEAK UNIT 1
INSERVICE INSPECTION PLAN
CLASS 1 COMPLETED COMPONENTS

SUMMARY EXAMINATION AREA NUMBER IDENTIFICATION	INSPECTION INTERVAL ASME SEC. XI CATGY NDE ITEM NO METH	PLAN STATUS			PRESERVICE YEAR	INSTRUCTIONS **CALIBRATION BLOCK**
		FIRST PERIOD	SECOND PERIOD	THIRD PERIOD		
		1 2	1 2 3	1 2		

CHEMICAL & VOLUME CONTROL 2-CS-1-112-2501R-1

652650	TBX-1-4505-H22	B-K-1	PT			NA	6" S160 SLEEVE. EXAM COMPLETED
	CS-1-112-720-C41A	B10.10	2 C	-	-	-	PRIOR TO ASME CODE YEAR
	R29 833RB						UPDATE.

CHEMICAL & VOLUME CONTROL 3-CS-1-235-2501R-1

654600	TBX-1-4304-H21	F-A	VT-3			NA	SNUBBER
	CS-1-235-067-C41K	F1.10	2 - -	-	-	C -	
	R154K826RB						

CHEMICAL & VOLUME CONTROL 1.5-CS-1-244-2501R-1

654700	TBX-1-4410-H1	F-C	VT-3			NA	STRUT
	CS-1-244-700-C41R	NOTE 1	2 - C	-	-	-	
	R29 830RB						

654800	TBX-1-4410-H2	F-C	VT-3			NA	SNUBBER
	CS-1-244-701-C41K	NOTE 1	2 - C	-	-	-	
	R29 826RB						

CHEMICAL & VOLUME CONTROL 1.5-CS-1-249-2501R-1

655200	TBX-1-4208-H2	F-A	VT-3			NA	SPRING
	CS-1-249-700-C41S	F1.10	2 - -	-	-	C -	
	R154J830RB						

REACTOR COOLANT 12-RC-1-007-2501R-1

655400	TBX-1-4101-H2	F-C	VT-3			NA	STRUT
	RC-1-007-001-C41R	NOTE 1	2 - -	C	-	-	
	R154I819RB						

COMANCHE PEAK UNIT 1
 INSERVICE INSPECTION PLAN
 CLASS 1 COMPLETED COMPONENTS

SUMMARY EXAMINATION AREA NUMBER IDENTIFICATION	INSPECTION INTERVAL		PLAN STATUS			PRESERVICE YEAR	INSTRUCTIONS
	ASME SEC. XI CATGY NDE ITEM NO METH		FIRST PERIOD	SECOND PERIOD	THIRD PERIOD		
			O U T A G E				
			1 2	1 2 3	1 2		**CALIBRATION BLOCK**

REACTOR COOLANT 6-RC-1-008-2501R-1

655600 TBX-1-4104-H1 F-C VT-3 NA SPRING
 RC-1-008-002-C41S NOTE 1 2 - - C - - - -
 R154I826RB

REACTOR COOLANT 2-RC-1-015-2501R-1

655900 TBX-1-4109-H9 F-A VT-3 NA SPRING.
 RC-1-015-702-C41S F1.10 2 - - - C - - -
 R23 814RB

656000 TBX-1-4109-H6 F-A VT-3 NA SNUBBER.
 RC-1-015-703-C41K F1.10 2 - - - C - - -
 R23 813RB

656100 TBX-1-4109-H3 F-A VT-3 NA SPRING.
 RC-1-015-704-C41S F1.10 2 - - - C - - -
 R23 813RB

656200 TBX-1-4109-H4 F-A VT-3 NA SNUBBER.
 RC-1-015-705-C41K F1.10 2 - - - C - - -
 R23 813RB

REACTOR COOLANT 4-RC-1-018-2501R-1

656900 TBX-1-4504-H25 F-A VT-3 NA STRUT
 RC-1-018-016-C81R F1.10 2 - - - C - - -
 R16 904RB

COMANCHE PEAK UNIT 1
 INSERVICE INSPECTION PLAN
 CLASS 1 COMPLETED COMPONENTS

SUMMARY EXAMINATION AREA NUMBER IDENTIFICATION	INSPECTION INTERVAL		PLAN STATUS						PRESERVICE YEAR	INSTRUCTIONS **CALIBRATION BLOCK**
	ASME SEC. XI CATGY NDE	ITEM NO METH	FIRST PERIOD	SECOND PERIOD	THIRD PERIOD	O U T A G E				
			1 2	1 2 3	1 2					
<u>REACTOR COOLANT 3-RC-1-052-2501R-1</u>										
660400 TBX-1-4304-H1 RC-1-052-004-C41K R154K814RB	F-A	VT-3	2 - -	- - -	C -				NA SNUBBER	
660700 TBX-1-4304-H5 RC-1-052-009-C41K R154K814RB	F-A	VT-3	2 - -	- - -	C -				NA SNUBBER	
660800 TBX-1-4304-H7 RC-1-052-010-C41K R154K814RB	F-A	VT-3	2 - -	- - -	C -				NA SNUBBER	
661100 TBX-1-4304-H6 RC-1-052-014-C41K R154K814RB	F-A	VT-3	2 - -	- - -	C -				NA SNUBBER	
661500 TBX-1-4304-H20 RC-1-052-019-C41R R154K826RB	F-A	VT-3	2 - -	- - -	C -				NA STRUT	
661900 TBX-1-4304-H18 RC-1-052-023-C41K R154K826RB	F-A	VT-3	2 - -	- - -	C -				NA SNUBBER	
662000 TBX-1-4304-H19 RC-1-052-024-C41K R154K826RB	F-A	VT-3	2 - -	- - -	C -				NA SNUBBER	

COMANCHE PEAK UNIT 1
INSERVICE INSPECTION PLAN
CLASS 1 COMPLETED COMPONENTS

INSPECTION INTERVAL		PLAN STATUS						PRESERVICE YEAR
		FIRST PERIOD		SECOND PERIOD		THIRD PERIOD		
ASME SEC. XI		-----						INSTRUCTIONS
CATGY NDE		O U T A G E						
NUMBER	IDENTIFICATION	ITEM NO	METH	1	2	3	1	
-----		-----						***CALIBRATION BLOCK**

REACTOR COOLANT 4-RC-1-087-2501R-1

665700 TBX-1-4504-H36 F-A VT-3 NA SNUBBER
 RC-1-087-007-C81K F1.10 2 - - - C - - -
 R21 910RB

665800 TBX-1-4504-H35 F-A VT-3 NA SNUBBER
 RC-1-087-700-C81K F1.10 2 - - - C - - -
 R21 910RB

REACTOR COOLANT 4-RC-1-088-2501R-1

665900 TBX-1-4503-H35 F-C VT-3 NA SNUBBER
 RC-1-088-005-C81K NOTE 1 2 C - - - - -
 R21 913RB

666100 TBX-1-4503-H31 F-C VT-3 NA SNUBBER
 RC-1-088-008-C81K NOTE 1 2 C - - - - -
 R21 911RB

666200 TBX-1-4503-H34 F-C VT-3 NA SNUBBER
 RC-1-088-009-C81K NOTE 1 2 C - - - - -
 R21 913RB

666300 TBX-1-4503-H30 F-C VT-3 NA SPRING
 RC-1-088-010-C81S NOTE 1 2 C - - - - -
 R21 909RB

666400 TBX-1-4503-H32 F-C VT-3 NA SNUBBER
 RC-1-088-700-C81K NOTE 1 2 C - - - - -
 R21 912RB

COMANCHE PEAK UNIT 1
 INSERVICE INSPECTION PLAN
 CLASS 1 COMPLETED COMPONENTS

SUMMARY EXAMINATION AREA NUMBER IDENTIFICATION	INSPECTION INTERVAL		PLAN STATUS						PRESERVICE YEAR	INSTRUCTIONS
	ASME SEC. XI CATGY NDE ITEM NO METH		FIRST PERIOD	SECOND PERIOD	O U T A G E			THIRD PERIOD		
			1 2	1 2 3	1 2				**CALIBRATION BLOCK**	
<u>REACTOR COOLANT 14-RC-1-135-2501R-1</u>										
667000 TBX-1-4500-H2 RC-1-135-001-C41S R29 832RB	F-A	VT-3	2 - -	- - -	C -				NA SPRING.TDLR VERIFICATION BOUNDARY.	
667400 TBX-1-4500-H5 RC-1-135-009-C51R R161B843RB	F-A	VT-3	2 - -	- - -	C -				NA STRUT.TDLR VERIFICATION BOUNDARY.	
667500 TBX-1-4500-H1 RC-1-135-010-C41K R29 832RB	F-A	VT-3	2 - -	- - -	C -				NA SNUBBER.TDLR VERIFICATION BOUNDARY.	
<u>REACTOR COOLANT 3-RC-1-146-2501R-1</u>										
667600 TBX-1-4502-H6 RC-1-146-001-C81S R16 907RB	F-C	VT-3	2 C -	- - -	- - -				NA SPRING.TDLR VERIFICATION BOUNDARY.	
<u>REACTOR COOLANT 6-RC-1-147-2501R-1</u>										
668100 TBX-1-4503-H39 RC-1-147-007-C81K R16 913RB	F-C	VT-3	2 C -	- - -	- - -				NA SNUBBER	
668200 TBX-1-4503-H38 RC-1-147-009-C81S R16 913RB	F-C	VT-3	2 C -	- - -	- - -				NA SPRING	

COMANCHE PEAK UNIT 1
 INSERVICE INSPECTION PLAN
 CLASS 1 COMPLETED COMPONENTS

SUMMARY EXAMINATION AREA NUMBER IDENTIFICATION	INSPECTION INTERVAL		PLAN STATUS						PRESERVICE YEAR	INSTRUCTIONS
	ASME SEC. XI CATGY NDE ITEM NO METH		FIRST PERIOD	SECOND PERIOD	THIRD PERIOD	O U T A G E				
			1 2	1 2 3	1 2				**CALIBRATION BLOCK**	

REACTOR COOLANT 6-RC-1-147-2501R-1

668300 TBX-1-4503-H37 F-C VT-3 NA SNUBBER
 RC-1-147-010-C81K NOTE 1 2 C - - - -
 R16 913RB

REACTOR COOLANT 4-RC-1-162-2501R-1

668900 TBX-1-4503-H29 F-C VT-3 NA SNUBBER
 RC-1-162-001-C81K NOTE 1 2 C - - - -
 R21 909RB

669000 TBX-1-4503-H28 F-C VT-3 NA SNUBBER
 RC-1-162-002-C81K NOTE 1 2 C - - - -
 R21 909RB

669200 TBX-1-4503-H26 F-C VT-3 NA SNUBBER
 RC-1-162-004-C81K NOTE 1 2 - C - - - -
 R16 909RB

REACTOR COOLANT 6-RC-1-163-2501R-1

669400 TBX-1-4504-H30 F-A VT-3 NA STRUT
 RC-1-163-004-C81R F1.10 2 - - - C - - -
 R16 908RB

REACTOR COOLANT 4-RC-1-164-2501R-1

669800 TBX-1-4504-H33 F-A VT-3 NA SNUBBER
 RC-1-164-003-C81K F1.10 2 - - - C - - -
 R21 908RB

COMANCHE PEAK UNIT 1
 INSERVICE INSPECTION PLAN
 CLASS 1 COMPLETED COMPONENTS

SUMMARY EXAMINATION AREA NUMBER IDENTIFICATION	INSPECTION INTERVAL ASME SEC. XI CATGY NDE ITEM NO METH	PLAN STATUS			PRESERVICE YEAR	INSTRUCTIONS **CALIBRATION BLOCK**
		FIRST PERIOD	SECOND PERIOD	THIRD PERIOD		
		1 2	1 2 3	1 2		

RESIDUAL HEAT REMOVAL 12-RH-1-001-2501R-1

670000 TBX-1-4101-H10 F-C VT-3 NA SPRING.
 RH-1-001-001-C41S NOTE 1 2 - C - - - -
 R31 817RB

670100 TBX-1-4101-H3 F-C VT-3 NA SPRING
 RH-1-001-004-C41S NOTE 1 2 - - C - - - -
 R23 817RB

670200 TBX-1-4101-H9 F-C VT-3 NA SNUBBER.
 RH-1-001-005-C41K NOTE 1 2 - C - - - -
 R31 817RB

RESIDUAL HEAT REMOVAL 12-RH-1-002-2501R-1

671400 TBX-1-4401-H5 F-C VT-3 NA SNUBBER
 RH-1-002-012-C41K NOTE 1 2 - C - - - -
 R29 817RB

671450 TBX-1-4401-H5 B-K-1 PT NA 1" SADDLE.
 RH-1-002-012-C41K B10.10 2 - C - - - -
 R29 817RB

SAFETY INJECTION 1.5-SI-1-026-2501R-1

672200 TBX-1-4205-H38 F-A VT-3 NA STRUT
 SI-1-026-701-C41R F1.10 2 - - - C - - -
 R154B819RB

COMANCHE PEAK UNIT 1
 INSERVICE INSPECTION PLAN
 CLASS 1 COMPLETED COMPONENTS

SUMMARY EXAMINATION AREA NUMBER IDENTIFICATION	INSPECTION INTERVAL	PLAN STATUS			PRESERVICE YEAR	INSTRUCTIONS
		ASME SEC. XI CATGY NDE ITEM NO METH	FIRST PERIOD	SECOND PERIOD		
			O U T A G E			
			1 2	1 2 3	1 2	**CALIBRATION BLOCK**

SAFETY INJECTION 1.5-SI-1-026-2501R-1

672400	TBX-1-4205-H36 SI-1-026-703-C41S R154B819RB	F-A VT-3 F1.10	2 - -	- C -	- - -	NA	SPRING
672500	TBX-1-4205-H35 SI-1-026-705-C41K R154B818RB	F-A VT-3 F1.10	2 - -	- C -	- - -	NA	SNUBBER
672600	TBX-1-4205-H34 SI-1-026-706-C41R R154B817RB	F-A VT-3 F1.10	2 - -	- C -	- - -	NA	STRUT
672700	TBX-1-4205-H33 SI-1-026-707-C41R R154B817RB	F-A VT-3 F1.10	2 - -	- C -	- - -	NA	STRUT
672800	TBX-1-4205-H32 SI-1-026-709-C41K R154B817RB	F-A VT-3 F1.10	2 - -	- C -	- - -	NA	SNUBBER
673200	TBX-1-4205-H28 SI-1-026-714-C41K R154B817RB	F-A VT-3 F1.10	2 - -	- C -	- - -	NA	SNUBBER
673400	TBX-1-4205-H26 SI-1-026-716-C41R R154B817RB	F-A VT-3 F1.10	2 - -	- C -	- - -	NA	STRUT

COMANCHE PEAK UNIT 1
 INSERVICE INSPECTION PLAN
 CLASS 1 COMPLETED COMPONENTS

SUMMARY NUMBER	EXAMINATION AREA IDENTIFICATION	INSPECTION INTERVAL		PLAN STATUS			PRESERVICE YEAR	INSTRUCTIONS			
		ASME SEC. XI CATGY	NDE METH	FIRST PERIOD	SECOND PERIOD	THIRD PERIOD					
				1	2	1	2	3	1	2	**CALIBRATION BLOCK**

SAFETY INJECTION 1.5-SI-1-026-2501R-1

673500	TBX-1-4205-H25 SI-1-026-717-C41R R154B817RB	F-A	VT-3						NA	BOX	
		F1.10		2	-	-	-	C	-	-	
673600	TBX-1-4205-H24 SI-1-026-718-C41R R154B817RB	F-A	VT-3						NA	STRUT	
		F1.10		2	-	-	-	C	-	-	
673800	TBX-1-4205-H22 SI-1-026-721-C41R R154B817RB	F-A	VT-3						NA	STRUT	
		F1.10		2	-	-	-	C	-	-	
673900	TBX-1-4205-H21 SI-1-026-723-C41R R154B817RB	F-A	VT-3						NA	STRUT	
		F1.10		2	-	-	-	C	-	-	
674200	TBX-1-4205-H18 SI-1-026-726-C41K R154B817RB	F-A	VT-3						NA	SNUBBER	
		F1.10		2	-	-	-	C	-	-	
674400	TBX-1-4205-H16 SI-1-026-728-C41R R154B817RB	F-A	VT-3						NA	STRUT	
		F1.10		2	-	-	-	C	-	-	
674500	TBX-1-4205-H15 SI-1-026-729-C41R R154B817RB	F-A	VT-3						NA	STRUT	
		F1.10		2	-	-	-	C	-	-	

COMANCHE PEAK UNIT 1
 INSERVICE INSPECTION PLAN
 CLASS 1 COMPLETED COMPONENTS

SUMMARY EXAMINATION AREA NUMBER IDENTIFICATION	INSPECTION INTERVAL ASME SEC. XI CATGY NDE ITEM NO METH	PLAN STATUS						PRESERVICE YEAR	INSTRUCTIONS **CALIBRATION BLOCK**
		FIRST PERIOD		SECOND PERIOD		THIRD PERIOD			
<u>SAFETY INJECTION 1.5-SI-1-026-2501R-1</u>									
674600	TBX-1-4205-H14 SI-1-026-730-C41R R154B818RB	F-A VT-3 Fl.10	2	-	-	-	C	-	NA STRUT
<u>SAFETY INJECTION 1.5-SI-1-027-2501R-1</u>									
676000	TBX-1-4306-H28 SI-1-027-714-C41K R154C815RB	F-A VT-3 Fl.10	2	-	-	-	-	C	NA SNUBBER
676700	TBX-1-4306-H21 SI-1-027-721-C41K R154C815RB	F-A VT-3 Fl.10	2	-	-	-	-	C	NA SNUBBER
<u>SAFETY INJECTION 3-SI-1-033-2501R-1</u>									
678100	TBX-1-4600-H4 SI-1-033-001-C41R R154B819RB	F-C VT-3 NOTE 1	2	-	-	-	C	-	NA STRUT
678200	TBX-1-4600-H6 SI-1-033-003-C41K R154D819RB	F-C VT-3 NOTE 1	2	-	-	-	C	-	NA SNUBBER
678400	TBX-1-4600-H3 SI-1-033-005-C41S R31 819RB	F-C VT-3 NOTE 1	2	-	-	-	C	-	NA SPRING

COMANCHE PEAK UNIT 1
 INSERVICE INSPECTION PLAN
 CLASS 1 COMPLETED COMPONENTS

SUMMARY EXAMINATION AREA NUMBER IDENTIFICATION	INSPECTION INTERVAL		PLAN STATUS			PRESERVICE YEAR	INSTRUCTIONS
	CATGY	NDE	FIRST PERIOD	SECOND PERIOD	THIRD PERIOD		
	ASME						
	SEC. XI		-----				
	CATGY	NDE	O U T A G E				
	ITEM NO	METH	1 2	1 2 3	1 2		**CALIBRATION BLOCK**

SAFETY INJECTION 2-SI-1-086-2501R-1

680300 TBX-1-4404-H5 F-C VT-3 NA SNUBBER
 SI-1-086-706-C41K NOTE 1 2 - C - - - - -
 R29 821RB

680400 TBX-1-4404-H4 F-C VT-3 NA SNUBBER
 SI-1-086-707-C41K NOTE 1 2 - C - - - - -
 R29 826RB

SAFETY INJECTION 6-SI-1-089-2501R-1

680800 TBX-1-4103-H6 F-C VT-3 NA SPRING
 SI-1-089-007-C41S NOTE 1 2 - C - - - - -
 R23 827RB

680850 TBX-1-4103-H6 B-K-1 PT NA 4-1" LUGS.
 SI-1-089-007-C41S B10.10 2 - C - - - - -
 R23 827RB

SAFETY INJECTION 8-SI-1-090-2501R-1

681100 TBX-1-4202-H2 F-A VT-3 NA SNUBBER
 SI-1-090-004-C41K F1.10 2 - - - - - C -
 R154J820RB

681200 TBX-1-4202-H1 F-A VT-3 NA SNUBBER
 SI-1-090-006-C41K F1.10 2 - - - - - C -
 R154J820RB

COMANCHE PEAK UNIT 1
 INSERVICE INSPECTION PLAN
 CLASS 1 COMPLETED COMPONENTS

		INSPECTION INTERVAL		PLAN STATUS			PRESERVICE YEAR	
				FIRST PERIOD	SECOND PERIOD	THIRD PERIOD		
SUMMARY EXAMINATION AREA		ASME						
		SEC. XI	-----					
CATGY NDE			O U T A G E					INSTRUCTIONS
NUMBER IDENTIFICATION	ITEM NO METH		1 2	1 2 3	1 2			**CALIBRATION BLOCK**

SAFETY INJECTION 10-SI-1-179-2501R-1

683800 TBX-1-4102-H3 F-C VT-3 NA SPRING
 SI-1-179-008-C41S NOTE 1 2 - - C - - - -
 R23 828RB

683850 TBX-1-4102-H3 B-K-1 PT NA 4-1" LUGS.
 SI-1-179-008-C41S B10.10 2 - - C - - - -
 R23 828RB

SAFETY INJECTION 10-SI-1-180-2501R-1

684200 TBX-1-4201-H4 F-A VT-3 NA SPRING
 SI-1-180-007-C41S F1.10 2 - - - - - C -
 R154J830RB

684250 TBX-1-4201-H4 B-K PT NA 6-1" LUGS.
 SI-1-180-007-C41S B10.20 2 - - - - - C -
 R154J830RB

684300 TBX-1-4201-H3 F-A VT-3 NA STRUT
 SI-1-180-008-C41R F1.10 2 - - - - - C -
 R154J830RB

SAFETY INJECTION 10-SI-1-181-2501R-1

684400 TBX-1-4301-H2 F-A VT-3 NA SNUBBER
 SI-1-181-003-C41K F1.10 2 - - - - - C -
 R154K826RB

COMANCHE PEAK UNIT 1
 INSERVICE INSPECTION PLAN
 CLASS 1 COMPLETED COMPONENTS

		INSPECTION INTERVAL		PLAN STATUS			PRESERVICE YEAR
				FIRST PERIOD	SECOND PERIOD	THIRD PERIOD	
SUMMARY EXAMINATION AREA		ASME					INSTRUCTIONS **CALIBRATION BLOCK**
NUMBER IDENTIFICATION		SEC. XI					
		CATGY NDE		O U T A G E			
		ITEM NO METH	1 2	1 2 3	1 2		

SAFETY INJECTION 10-SI-1-181-2501R-1

684450 TBX-1-4301-H2 B-K PT NA 6" S160 STANCHION.
 SI-1-181-003-C41K B10.20 2 - - - - - C -
 R154K826RB

SAFETY INJECTION 10-SI-1-182-2501R-1

684600 TBX-1-4402-H4 F-C VT-3 NA SNUBBER
 SI-1-182-003-C41K NOTE 1 2 - C - - - - -
 R29 824RB

684700 TBX-1-4402-H2 F-C VT-3 NA SPRING
 SI-1-182-005-C41S NOTE 1 2 - C - - - - -
 R29 827RB

684750 TBX-1-4402-H2 B-K-1 PT NA 4-1" LUGS.
 SI-1-182-005-C41S B10.10 2 - C - - - - -
 R29 827RB

SAFETY INJECTION 3-SI-1-339-2501R-1

689400 TBX-1-4600-H7 F-B VT-3 NA ANCHOR
 SI-1-339-001-C41A NOTE 1 2 - - C - - - - -
 R154D822RB

REACTOR COOLANT TBX-RCPCSG-01

689700 TBX-1-3100-1CS1 F-C VT-3 NA S.G. COLUMN SUPPORT.
 TBX-RCSSG-01-S1 NOTE 1 2 - C - - - - - 1457F29.TDLR VERIFICATION
 A23 812RB BOUNDARY.

COMANCHE PEAK UNIT 1
 INSERVICE INSPECTION PLAN
 CLASS 1 COMPLETED COMPONENTS

INSPECTION INTERVAL		PLAN STATUS			PRESERVICE YEAR
		FIRST PERIOD	SECOND PERIOD	THIRD PERIOD	
ASME					
SEC. XI		-----			
CATGY NDE		O U T A G E			INSTRUCTIONS
ITEM NO METH		1 2	1 2 3	1 2	**CALIBRATION BLOCK**

REACTOR COOLANT TBX-RCPCSG-01

689725	TBX-1-3100-1CS2 TBX-RCESSG-01-S2 A23 812RB	F-C	VT-3	NA	S.G. COLUMN SUPPORT. 1457F29.TDLR VERIFICATION BOUNDARY.
		NOTE 1	2 - C	- - -	
689750	TBX-1-3100-1CS3 TBX-RCESSG-01-S3 A23 812RB	F-C	VT-3	NA	S.G. COLUMN SUPPORT. 1457F29.TDLR VERIFICATION BOUNDARY.
		NOTE 1	2 - C	- - -	
689775	TBX-1-3100-1CS4 TBX-RCESSG-01-S4 A23 812RB	F-C	VT-3	NA	S.G. COLUMN SUPPORT. 1457F29.TDLR VERIFICATION BOUNDARY.
		NOTE 1	2 - C	- - -	
689800	TBX-1-3100-1LS1 TBX-RCESSG-01-L1 A23 835RB	F-B	VT-3	NA	S.G. LOWER LATERAL SUPPORT.1457F31.LB-1.TDLR VERIFICATION BOUNDARY.
		NOTE 1	2 - C	- - -	
689825	TBX-1-3100-1LS2 TBX-RCESSG-01-L2 A23 835RB	F-B	VT-3	NA	S.G. LOWER LATERAL SUPPORT.1457F31.LS-1.TDLR VERIFICATION BOUNDARY.
		NOTE 1	2 - C	- - -	
689850	TBX-1-3100-1LS3 TBX-RCESSG-01-L3 A23 835RB	F-B	VT-3	NA	S.G. LOWER LATERAL SUPPORT.1457F31.LS-3.TDLR VERIFICATION BOUNDARY.
		NOTE 1	2 - C	- - -	
689900	TBX-1-3100-1US1 TBX-RCESSG-01-U1 R154I812RB	F-B	VT-3	NA	S.G. UPPER LATERAL SUPPORT.1457F34.US-1.TDLR VERIFICATION BOUNDARY.
		NOTE 1	2 C -	- - -	

COMANCHE PEAK UNIT 1
 INSERVICE INSPECTION PLAN
 CLASS 1 COMPLETED COMPONENTS

SUMMARY EXAMINATION AREA NUMBER IDENTIFICATION	INSPECTION INTERVAL		PLAN STATUS			PRESERVICE YEAR	INSTRUCTIONS
	CATGY	NDE	FIRST PERIOD	SECOND PERIOD	THIRD PERIOD		
	ASME	SEC. XI					
			1 2	1 2 3	1 2		**CALIBRATION BLOCK**

REACTOR COOLANT TBX-RCPCSG-01

689920	TBX-1-3100-1US2 TBX-RCESG-01-U2 R154I812RB	F-B	VT-3	NOTE 1	2 C -	- - -	NA	S.G. UPPER LATERAL SUPPORT.1457F34.US-2.TDLR VERIFICATION BOUNDARY.
689940	TBX-1-3100-1US3 TBX-RCESG-01-U3 R154I812RB	F-B	VT-3	NOTE 1	2 C -	- - -	1N	S.G. UPPER LATERAL SUPPORT.1457F35.RING.TDLR VERIFICATION BOUNDARY.
689980	TBX-1-3100-1SN1 TBX-RCESHS-02 R154I812RB	F-C	VT-3	NOTE 1	2 C -	- - -	NA	S.G. HYD. SNUBBER.PD14856.TDLR VERIFICATION BOUNDARY. EXAM COMPLETED PRIOR NTO SNUBBER BEING REPLACED BY SGR IN 1RF12.
689990	TBX-1-3100-1SN2 TBX-RCESHS-04 R154I812RB	F-C	VT-3	NOTE 1	2 C -	- - -	NA	S.G. HYD. SNUBBER. PD14856.TDLR VERIFICATION BOUNDARY. SNUBBER EXAMINED PRIOR TO BEING REPLACED IN 1RF12 PER SGR FDA.

REACTOR COOLANT TBX-RCPCSG-02

690000	TBX-1-3100-2CS1 TBX-RCESG-02-S1 R154J812RB	F-A	VT-3	F1.40	2 - -	- C -	NA	S.G. COLUMN SUPPORT. 1457F29.TDLR VERIFICATION BOUNDARY.
690025	TBX-1-3100-2CS2 TBX-RCESG-02-S2 R154J812RB	F-A	VT-3	F1.40	2 - -	- C -	NA	S.G. COLUMN SUPPORT. 1457F29. TDLR VERIFICATION BOUNDARY.

DATE: 07/15/11

COMANCHE PEAK UNIT 1
 INSERVICE INSPECTION PLAN
 CLASS 1 COMPLETED COMPONENTS

PAGE: 92

SUMMARY EXAMINATION AREA NUMBER IDENTIFICATION	INSPECTION INTERVAL ASME SEC. XI CATGY NDE ITEM NO METH	PLAN STATUS						PRESERVICE YEAR	INSTRUCTIONS **CALIBRATION BLOCK**
		FIRST PERIOD		SECOND PERIOD		THIRD PERIOD			
		1	2	1	2	3	1	2	

REACTOR COOLANT TBX-RCPCSG-02

690050	TBX-1-3100-2CS3 TBX-RCESSG-02-S3 R154J812RB	F-A	VT-3	2	-	-	-	C	-	-	-	NA	S.G. COLUMN SUPPORT. 1457F29. TDLR VERIFICATION BOUNDARY.
690075	TBX-1-3100-2CS4 TBX-RCESSG-02-S4 R154J812RB	F-A	VT-3	2	-	-	-	C	-	-	-	NA	S.G. COLUMN SUPPORT. 1457F29 TDLR VERIFICATION BOUNDARY.
690100	TBX-1-3100-2LS1 TBX-RCESSG-02-L1 R154J812RB	F-A	VT-3	2	-	-	-	C	-	-	-	NA	S.G. LOWER LATERAL SUPPORT. 1457F31. LB-2. TDLR VERIFICATION BOUNDARY.
690125	TBX-1-3100-2LS2 TBX-RCESSG-02-L2 R154J812RB	F-A	VT-3	2	-	-	-	C	-	-	-	NA	S.G. LOWER LATERAL SUPPORT. 1457F31. LS-2. TDLR VERIFICATION BOUNDARY.
690150	TBX-1-3100-2LS3 TBX-RCESSG-02-L3 R154J812RB	F-A	VT-3	2	-	-	-	C	-	-	-	NA	S.G. LOWER LATERAL SUPPORT. 1457F31. LS-4. TDLR VERIFICATION BOUNDARY.
690200	TBX-1-3100-2US1 TBX-RCESSG-02-U1 A26 859RB	F-A	VT-3	2	-	-	-	C	-	-	-	NA	S.G. UPPER LATERAL SUPPORT. 1457F34. US-1. TDLR VERIFICATION BOUNDARY.
690220	TBX-1-3100-2US2 TBX-RCESSG-02-U2 A26 859RB	F-A	VT-3	2	-	-	-	C	-	-	-	NA	S.G. UPPER LATERAL SUPPORT. 1457F34. US-2. TDLR VERIFICATION BOUNDARY.

COMANCHE PEAK UNIT 1
 INSERVICE INSPECTION PLAN
 CLASS 1 COMPLETED COMPONENTS

SUMMARY EXAMINATION AREA NUMBER IDENTIFICATION	INSPECTION INTERVAL		PLAN STATUS			PRESERVICE YEAR	INSTRUCTIONS
	ASME SEC. XI CATGY NDE ITEM NO METH		FIRST PERIOD	SECOND PERIOD	THIRD PERIOD		
			1 2	1 2 3	1 2		**CALIBRATION BLOCK**

REACTOR COOLANT TBX-RCPCSG-02

690240	TBX-1-3100-2US3 TBX-RCESSG-02-U3 A26 859RB	F-A VT-3 F1.40	2 - -	- C - - -		NA	S.G. UPPER LATERAL SUPPORT. 1457F35. RING. TDLR VERIFICATION BOUNDARY.
690280	TBX-1-3100-2SN1 TBX-RCESHS-07 A26 859RB	F-A VT-3 F1.40	2 - -	- C - - -		NA	S.G. HYD. SHOCK SUPPRESSORS. SNUBBER EXAMINED PROPR TO BEING REPLACED IN 1RF12 BY SGR FDA.
690290	TBX-1-3100-2SN2 TBX-RCESHS-09 A26 859RB	F-A VT-3 F1.40	2 - -	- C - - -		NA	S.G. HYD. SNUBBER. PD14856. TDLR VERIFICATION BOUNDARY. SNUBBER EXAMINED PRIOR TO BEING REPLACED IN 1RF12 BY SGR FDA.

REACTOR COOLANT TBX-RCPCSG-03

690300	TBX-1-3100-3CS1 TBX-RCESSG-03-S1 R154K812RB	F-A VT-3 F1.40	2 - -	- C - - -		NA	S.G. COLUMN SUPPORT. 1457F29. TDLR VERIFICATION BOUNDARY.
690325	TBX-1-3100-3CS2 TBX-RCESSG-03-S2 R154K812RB	F-A VT-3 F1.40	2 - -	- C - - -		NA	S.G. COLUMN SUPPORT. 1457F29. TDLR VERIFICATION BOUNDARY.
690350	TBX-1-3100-3CS3 TBX-RCESSG-03-S3 R154K812RB	F-A VT-3 F1.40	2 - -	- C - - -		NA	S.G. COLUMN SUPPORT. 1457F29. TDLR VERIFICATION BOUNDARY.

DATE: 07/15/11

COMANCHE PEAK UNIT 1
 INSERVICE INSPECTION PLAN
 CLASS 1 COMPLETED COMPONENTS

PAGE: 94

SUMMARY EXAMINATION AREA NUMBER IDENTIFICATION	INSPECTION INTERVAL ASME SEC. XI CATGY NDE ITEM NO METH	PLAN STATUS						PRESERVICE YEAR	INSTRUCTIONS **CALIBRATION BLOCK**
		FIRST PERIOD		SECOND PERIOD			THIRD PERIOD		
		1	2	1	2	3	1	2	

REACTOR COOLANT TBX-RCPCSG-03

690375	TBX-1-3100-3CS4 TBX-RCSSG-03-S4 R154K812RB	F-A VT-3 F1.40	2	-	-	-	C	-	-	NA	S.G. COLUMN SUPPORT. 1457F29. TDLR VERIFICATION BOUNDARY.
690400	TBX-1-3100-3LS1 TBX-RCSSG-03-L1 R154K812RB	F-A VT-3 F1.40	2	-	-	-	C	-	-	NA	S.G. LOWER LATERAL SUPPORT. 1457F31. LB-1. TDLR VERIFICATION BOUNDARY.
690425	TBX-1-3100-3LS2 TBX-RCSSG-03-L2 R154K812RB	F-A VT-3 F1.40	2	-	-	-	C	-	-	NA	S.G. LOWER LATERAL SUPPORT. 1457F31. LS-1. TDLR VERIFICATION BOUNDARY.
690450	TBX-1-3100-3LS3 TBX-RCSSG-03-L3 R154K812RB	F-A VT-3 F1.40	2	-	-	-	C	-	-	NA	S.G. LOWER LATERAL SUPPORT. 1457F31. LS-3. TDLR VERIFICATION BOUNDARY.
690500	TBX-1-3100-3US1 TBX-RCSSG-03-U1 R154K812RB	F-A VT-3 F1.40	2	-	-	-	-	-	C	NA	S.G. UPPER LATERAL SUPPORT. DWG 1457F34. TDLR VERIFICATION BOUNDARY.
690520	TBX-1-3100-3US2 TBX-RCSSG-03-U2 R154K812RB	F-A VT-3 F1.40	2	-	-	-	-	-	C	NA	S.G. UPPER LATERAL SUPPORT. DWG 1457F34. TDLR VERIFICATION BOUNDARY.
690540	TBX-1-3100-3US3 TBX-RCSSG-03-U3 R154K812RB	F-A VT-3 F1.40	2	-	-	-	-	-	C	NA	S.G. UPPER LATERAL SUPPORT. DWG 1457F34. RING. TDLR VERIFICATION BOUNDARY.

COMANCHE PEAK UNIT 1
 INSERVICE INSPECTION PLAN
 CLASS 1 COMPLETED COMPONENTS

SUMMARY EXAMINATION AREA NUMBER IDENTIFICATION	INSPECTION INTERVAL		PLAN STATUS			PRESERVICE YEAR	INSTRUCTIONS
	ASME SEC. XI CATGY NDE ITEM NO METH		FIRST PERIOD	SECOND PERIOD	THIRD PERIOD		
			-----	-----	-----		
			1 2	1 2 3	1 2		**CALIBRATION BLOCK**

REACTOR COOLANT TBX-RCPCSG-04

690600	TBX-1-3100-4CS1 TBX-RCESSG-04-S1 A29 812RB	F-C VT-3 NOTE 1	2 - -	C - - -	- -	NA	S.G. COLUMN SUPPORT. 1457F29. TDLR VERIFICATION BOUNDARY.
690625	TBX-1-3100-4CS2 TBX-RCESSG-04-S2 A29 812RB	F-C VT-3 NOTE 1	2 - -	C - - -	- -	NA	S.G. COLUMN SUPPORT. 1457F29. TDLR VERIFICATION BOUNDARY.
690650	TBX-1-3100-4CS3 TBX-RCESSG-04-S3 A29 812RB	F-C VT-3 NOTE 1	2 - -	C - - -	- -	NA	S.G. COLUMN SUPPORT. 1457F29. TDLR VERIFICATION BOUNDARY.
690675	TBX-1-3100-4CS4 TBX-RCESSG-04-S4 A29 812RB	F-C VT-3 NOTE 1	2 - -	C - - -	- -	NA	S.G. COLUMN SUPPORT. 1457F29. TDLR VERIFICATION BOUNDARY.
690700	TBX-1-3100-4LS1 TBX-RCESSG-04-L1 A29 835RB	F-B VT-3 NOTE 1	2 - -	C - - -	- -	NA	S.G. LOWER LATERAL SUPPORT. 1457F31. LB-2. TDLR VERIFICATION BOUNDARY.
690725	TBX-1-3100-4LS2 TBX-RCESSG-04-L2 A29 835RB	F-B VT-3 NOTE 1	2 - -	C - - -	- -	NA	S.G. LOWER LATERAL SUPPORT. 1457F31. LS-5. TDLR VERIFICATION BOUNDARY.
690750	TBX-1-3100-4LS3 TBX-RCESSG-04-L3 A29 835RB	F-B VT-3 NOTE 1	2 - -	C - - -	- -	NA	S.G. LOWER LATERAL SUPPORT. 1457F31. LS-6. TDLR VERIFICATION BOUNDARY.

COMANCHE PEAK UNIT 1
INSERVICE INSPECTION PLAN
CLASS 1 COMPLETED COMPONENTS

INSPECTION INTERVAL		PLAN STATUS			PRESERVICE YEAR
		FIRST PERIOD	SECOND PERIOD	THIRD PERIOD	
ASME		-----	-----	-----	
SEC. XI		-----	-----	-----	
CATGY NDE		-----	O U T A G E	-----	INSTRUCTIONS
SUMMARY EXAMINATION AREA	ITEM NO METH	1 2	1 2 3	1 2	**CALIBRATION BLOCK**
NUMBER IDENTIFICATION					

REACTOR COOLANT TBX-RCPCSG-04

690800 TBX-1-3100-4US1 F-B VT-3 NA S.G. UPPER LATERAL SUPPORT.
 TBX-RCESSG-04-U1 NOTE 1 2 - - C - - - - 1457F34. US-1. TDLR
 R154L812RB VERIFICATION BOUNDARY.

690820 TBX-1-3100-4US2 F-B VT-3 NA S.G. UPPER LATERAL SUPPORT.
 TBX-RCESSG-04-U2 NOTE 1 2 - - C - - - - 1457F34. US-2. TDLR
 R154L812RB VERIFICATION BOUNDARY.

690840 TBX-1-3100-4US3 F-B VT-3 NA S.G. UPPER LATERAL SUPPORT.
 TBX-RCESSG-04-U3 NOTE 1 2 - - C - - - - 1457F35. RING. TDLR
 R154L812RB VERIFICATION BOUNDARY.

690880 TBX-1-3100-4SN1 F-C VT-3 NA S.G. HYD. SNUBBER. PD14856.
 TBX-RCESHS-17 NOTE 1 2 - - C - - - - TDLR VERIFICATION BOUNDARY.
 R154L812RB

690890 TBX-1-3100-4SN2 F-C VT-3 NA S.G. HYD. SNUBBER. PD14856.
 TBX-RCESHS-19 NOTE 1 2 - - C - - - - TDLR VERIFICATION BOUNDARY.
 R154L812RB

REACTOR COOLANT TBX-RCPCPC-01

690900 TBX-1-5100-1P1 F-C VT-3 NA RC PUMP COLUMN SUPPORTS.
 TBX-RCESPC-01-P1 NOTE 1 2 - C - - - - 1457F29. TDLR VERIFICATION
 A23 812RB BOUNDARY.

690930 TBX-1-5100-1P2 F-C VT-3 NA RC PUMP COLUMN SUPPORTS.
 TBX-RCESPC-01-P2 NOTE 1 2 - C - - - - 1457F29. TDLR VERIFICATION
 A23 812RB BOUNDARY.

COMANCHE PEAK UNIT 1
INSERVICE INSPECTION PLAN
CLASS 1 COMPLETED COMPONENTS

INSPECTION INTERVAL		PLAN STATUS						PRESERVICE YEAR
		FIRST PERIOD	SECOND PERIOD	THIRD PERIOD	THIRD PERIOD			
ASME		-----						INSTRUCTIONS
SEC. XI		-----						
SUMMARY EXAMINATION AREA	CATGY NDE	O U T A G E						
NUMBER IDENTIFICATION	ITEM NO METH	1 2	1 2 3	1 2				

CALIBRATION BLOCK

REACTOR COOLANT TBX-RCPCPC-01

690960 TBX-1-5100-1P3 F-C VT-3 NA RC PUMP COLUMN SUPPORTS.
TBX-RCESPC-01-P3 NOTE 1 2 - C - - - - 1457F29. TDLR VERIFICATION
A23 812RB BOUNDARY.

691000 TBX-1-5100-1T1 F-C VT-3 NA RC PUMP TIE RODS. 1457F33.
TBX-RCESPC-01-T1 NOTE 1 2 - C - - - - TR-1. TDLR VERIFICATION
A23 830RB BOUNDARY.

691030 TBX-1-5100-1T2 F-C VT-3 NA RC PUMP TIE RODS. 1457F33.
TBX-RCESPC-01-T2 NOTE 1 2 - C - - - - TR-2. TDLR VERIFICATION
A23 830RB BOUNDARY.

691060 TBX-1-5100-1T3 F-C VT-3 NA RC PUMP TIE RODS. 1457F33.
TBX-RCESPC-01-T3 NOTE 1 2 - C - - - - TR-3. TDLR VERIFICATION
A23 830RB BOUNDARY.

REACTOR COOLANT TBX-RCPCPC-02

691100 TBX-1-5100-2P1 F-A VT-3 NA RC PUMP COLUMN SUPPORTS.
TBX-RCESPC-02-P1 F1.40 2 - - - C - - - 1457F29. TDLR VERIFICATION
R154J812RB BOUNDARY.

691130 TBX-1-5100-2P2 F-A VT-3 NA RC PUMP COLUMN SUPPORTS.
TBX-RCESPC-02-P2 F1.40 2 - - - C - - - 1457F29. TDLR VERIFICATION
R154J812RB BOUNDARY.

691160 TBX-1-5100-2P3 F-A VT-3 NA RC PUMP COLUMN SUPPORTS.
TBX-RCESPC-02-P3 F1.40 2 - - - C - - - 1457F29. TDLR VERIFICATION
R154J812RB BOUNDARY.

COMANCHE PEAK UNIT 1
 INSERVICE INSPECTION PLAN
 CLASS 1 COMPLETED COMPONENTS

SUMMARY EXAMINATION AREA NUMBER IDENTIFICATION	INSPECTION INTERVAL		PLAN STATUS			PRESERVICE YEAR	INSTRUCTIONS
	ASME SEC. XI CATGY NDE ITEM NO METH		FIRST PERIOD	SECOND PERIOD	THIRD PERIOD		
			1 2	1 2 3	1 2		**CALIBRATION BLOCK**

REACTOR COOLANT TBX-RCPCPC-02

691200	TBX-1-5100-2T1 TBX-RCESPC-02-T1 R154J830RB	F-A VT-3 F1.40	2 - -	- C - - -		NA	RC PUMP TIE RODS. 1457F33. TR-1. TDLR VERIFICATION BOUNDARY.
691230	TBX-1-5100-2T2 TBX-RCESPC-02-T2 R154J830RB	F-A VT-3 F1.40	2 - -	- C - - -		NA	RC PUMP TIE RODS. 1457F33. TR-2. TDLR VERIFICATION BOUNDARY.
691260	TBX-1-5100-2T3 TBX-RCESPC-02-T3 R154J830RB	F-A VT-3 F1.40	2 - -	- C - - -		NA	RC PUMP TIE RODS. 1457F33. TR-3. TDLR VERIFICATION BOUNDARY.

REACTOR COOLANT TBX-RCPCPC-03

691300	TBX-1-5100-3P1 TBX-RCESPC-03-P1 R154K812RB	F-A VT-3 F1.40	2 - -	- C - - -		NA	RC PUMP COLUMN SUPPORTS. 1457F29. TDLR VERIFICATION BOUNDARY.
691330	TBX-1-5100-3P2 TBX-RCESPC-03-P2 R154K812RB	F-A VT-3 F1.40	2 - -	- C - - -		NA	RC PUMP COLUMN SUPPORTS. 1457F29. TDLR VERIFICATION BOUNDARY.
691360	TBX-1-5100-3P3 TBX-RCESPC-03-P3 R154K812RB	F-A VT-3 F1.40	2 - -	- C - - -		NA	RC PUMP COLUMN SUPPORTS. 1457F29. TDLR VERIFICATION BOUNDARY.
691400	TBX-1-5100-3T1 TBX-RCESPC-03-T1 R154K830RB	F-A VT-3 F1.40	2 - -	- C - - -		NA	RC PUMP TIE RODS. 1457F33. TR-1. TDLR VERIFICATION BOUNDARY.

COMANCHE PEAK UNIT 1
 INSERVICE INSPECTION PLAN
 CLASS 1 COMPLETED COMPONENTS

SUMMARY EXAMINATION AREA NUMBER IDENTIFICATION	INSPECTION INTERVAL		PLAN STATUS			PRESERVICE YEAR	INSTRUCTIONS
	ASME	SEC. XI	FIRST PERIOD	SECOND PERIOD	THIRD PERIOD		
	CATGY NDE		O U T A G E				**CALIBRATION BLOCK**
	ITEM NO METH		1 2	1 2 3	1 2		
<hr/>							
<u>REACTOR COOLANT TBX-RCPCPC-03</u>							
691430	TBX-1-5100-3T2 TBX-RCESPC-03-T2 R154K830RB	F-A VT-3 F1.40	2 - -	- C -	- - -	NA	RC PUMP TIE RODS. 1457F33. TR-2. TDLR VERIFICATION BOUNDARY.
691460	TBX-1-5100-3T3 TBX-RCESPC-03-T3 R154K830RB	F-A VT-3 F1.40	2 - -	- C -	- - -	NA	RC PUMP TIE RODS. 1457F33. TR-3. TDLR VERIFICATION BOUNDARY.
<u>REACTOR COOLANT TBX-RCPCPC-04</u>							
691500	TBX-1-5100-4P1 TBX-RCESPC-04-P1 A29 812RB	F-C VT-3 NOTE 1	2 - -	C - -	- - -	NA	RC PUMP COLUMN SUPPORTS. 1457F29. TDLR VERIFICATION BOUNDARY.
691530	TBX-1-5100-4P2 TBX-RCESPC-04-P2 A29 812RB	F-C VT-3 NOTE 1	2 - -	C - -	- - -	NA	RC PUMP COLUMN SUPPORTS. 1457F29. TDLR VERIFICATION BOUNDARY.
691560	TBX-1-5100-4P3 TBX-RCESPC-04-P3 A29 812RB	F-C VT-3 NOTE 1	2 - -	C - -	- - -	NA	RC PUMP COLUMN SUPPORTS. 1457F29. TDLR VERIFICATION BOUNDARY.
691600	TBX-1-5100-4T1 TBX-RCESPC-04-T1 A29 830RB	F-C VT-3 NOTE 1	2 - -	C - -	- - -	NA	RC PUMP TIE RODS. 1457F33. TR-1. TDLR VERIFICATION BOUNDARY.
691630	TBX-1-5100-4T2 TBX-RCESPC-04-T2 A29 830RB	F-C VT-3 NOTE 1	2 - -	C - -	- - -	NA	RC PUMP TIE RODS. 1457F33. TR-2. TDLR VERIFICATION BOUNDARY.

COMANCHE PEAK UNIT 1
 INSERVICE INSPECTION PLAN
 CLASS 1 COMPLETED COMPONENTS

SUMMARY EXAMINATION AREA NUMBER IDENTIFICATION	INSPECTION INTERVAL	PLAN STATUS			PRESERVICE YEAR	INSTRUCTIONS
		FIRST PERIOD	SECOND PERIOD	THIRD PERIOD		
	ASME					
	SEC. XI	-----				
	CATGY NDE	O U T A G E				
	ITEM NO METH	1 2	1 2 3	1 2		**CALIBRATION BLOCK**

SAFETY INJECTION 6-SI-1-089-2501R-1

692300	TBX-1-4103-MR5	F-B	VT-3			NA	MOMENT RESTRAINT. SI-0538-02
	CP1-SISSMR-05	NOTE 1	2 - C	- - -	- - -		
	R31 820RB						

SAFETY INJECTION 8-SI-1-090-2501R-1

692400	TBX-1-4202-MR6	F-A	VT-3			NA	MOMENT RESTRAINT. SI-0538-03
	CP1-SISSMR-06	F1.10	2 - -	- - -	C -		
	R32 820RB						

SAFETY INJECTION 3-SI-1-303-2501R-1

692700	TBX-1-4600-MR9	F-B	VT-3			NA	MOMENT RESTRAINT. SI-0538-13
	CP1-SISSMR-09	NOTE 1	2 - -	C - -	- -		
	R154B823RB						

COMANCHE PEAK UNIT 1
INSERVICE INSPECTION PLAN
CLASS 2 COMPLETED COMPONENTS

SUMMARY EXAMINATION AREA NUMBER IDENTIFICATION	INSPECTION INTERVAL		PLAN STATUS			PRESERVICE YEAR	INSTRUCTIONS
	ASME SEC. XI CATGY NDE ITEM NO METH		FIRST PERIOD	SECOND PERIOD	THIRD PERIOD		
			1 2	1 2 3	1 2		**CALIBRATION BLOCK**
<hr/>							
<u>CHEMICAL & VOLUME CONTROL 3-CS-1-075-2501R-2</u>							
700300	TBX-2-2569-H9 CS-1-075-705-A42R R203 813AB	F-C VT-3 NOTE 1	2 C -	- - -	- - -	NA	STRUT
<hr/>							
<u>CHEMICAL & VOLUME CONTROL 4-CS-1-076-2501R-2</u>							
700500	TBX-2-2569-H5 CS-1-076-003-A42R R203 818AB	F-C VT-3 NOTE 1	2 C -	- - -	- - -	NA	STRUT
<hr/>							
700600	TBX-2-2569-H4 CS-1-076-004-A42R R203 818AB	F-C VT-3 NOTE 1	2 C -	- - -	- - -	NA	STRUT
<hr/>							
<u>CHEMICAL & VOLUME CONTROL 4-CS-1-085-2501R-2</u>							
701000	TBX-2-2570-H2 CS-1-085-003-A42K R201 818AB	F-A VT-3 Fl.20	2 - -	- - -	- C	NA	SNUBBER
<hr/>							
<u>CHEMICAL & VOLUME CONTROL 3-CS-1-629-2501R-2</u>							
702600	TBX-2-2570-H13 CS-1-629-701-A42K R203 818AB	F-A VT-3 Fl.20	2 - -	- - -	- C	NA	SNUBBER
<hr/>							
<u>CHEMICAL & VOLUME CONTROL 2-CS-1-343-2501R-2</u>							
703000	TEX-2-2569-H10 CS-1-AB-205-001-2 R203 818AB	F-C VT-3 NOTE 1	2 C -	- - -	- - -	NA	STRUT.

DATE: 07/15/11

COMANCHE PEAK UNIT 1
 INSERVICE INSPECTION PLAN
 CLASS 2 COMPLETED COMPONENTS

PAGE: 103

SUMMARY EXAMINATION AREA NUMBER IDENTIFICATION	INSPECTION INTERVAL		PLAN STATUS			PRESERVICE YEAR	INSTRUCTIONS
	ASME SEC. XI CATGY NDE ITEM NO METH		FIRST PERIOD	SECOND PERIOD	THIRD PERIOD		
			O U T A G E				**CALIBRATION BLOCK**
			1 2	1 2 3	1 2		

CONTAINMENT SPRAY 16-CT-1-001-151R-2

703600 TBX-2-2537-H4 F-A VT-3 NA SNUBBER
 CT-1-001-002-S22K F1.20 2 - - - - C - -
 R65 879SB

CONTAINMENT SPRAY 16-CT-1-002-151R-2

703700 TBX-2-2536-H2 F-C VT-3 NA STRUT
 CT-1-002-003-S32R NOTE 1 2 C - - - -
 R63 796SB

703750 TBX-2-2536-H2 C-C PT NA 8-1" LUGS.
 CT-1-002-003-S32R C3.20 2 C - - - -
 R63 796SB

CONTAINMENT SPRAY 16-CT-1-003-151R-2

704300 TBX-2-2575-H6 F-A VT-3 NA ANCHOR
 CT-1-003-005-S32A F1.20 2 - - - - C - -
 R76 802SB

704350 TBX-2-2575-H6 C-C PT NA SADDLE
 CT-1-003-005-S32A C3.20 2 - - - - C - -
 R76 802SB

CONTAINMENT SPRAY 16-CT-1-004-151R-2

704800 TBX-2-2577-H2 F-C VT-3 NA SPRING
 CT-1-004-012-S32S NOTE 1 2 - - C - - - -
 R66 803SB

COMANCHE PEAK UNIT 1
 INSERVICE INSPECTION PLAN
 CLASS 2 COMPLETED COMPONENTS

SUMMARY EXAMINATION AREA NUMBER IDENTIFICATION	INSPECTION INTERVAL	PLAN STATUS			PRESERVICE YEAR	INSTRUCTIONS
		ASME SEC. XI CATGY NDE ITEM NO METH	FIRST PERIOD	SECOND PERIOD		
			O U T A G E			
			1 2	1 2 3	1 2	**CALIBRATION BLOCK**

CONTAINMENT SPRAY 12-CT-1-005-151R-2

705200	TBX-2-2576-H1	F-C	VT-3			NA	SNUBBER
	CT-1-005-004-S22K	NOTE 1	2 - -	C - -	- -		
	R67 787SB						

CONTAINMENT SPRAY 12-CT-1-006-151R-2

705700	TBX-2-2576-H10	F-C	VT-3			NA	SNUBBER
	CT-1-006-003-S22K	NOTE 1	2 - -	C - -	- -		
	R67 787SB						

706000	TBX-2-2576-H13	F-C	VT-3			NA	STRUT
	CT-1-006-701-S22R	NOTE 1	2 - -	C - -	- -		
	R54 780SB						

CONTAINMENT SPRAY 12-CT-1-007-151R-2

706500	TBX-2-2578-H19	F-A	VT-3			NA	SPRING
	CT-1-007-004-S22S	F1.20	2 - -	- C -	- -		
	R51 779SB						

706550	TBX-2-2578-H19	C-C	PT			NA	4-3/4" LUGS
	CT-1-007-004-S22S	C3.20	2 - -	- C -	- -		
	R51 779SB						

707200	TBX-2-2578-H9	F-A	VT-3			NA	STRUT
	CT-1-007-011-S22R	F1.20	2 - -	- C -	- -		
	R66 787SB						

COMANCHE PEAK UNIT 1
 INSERVICE INSPECTION PLAN
 CLASS 2 COMPLETED COMPONENTS

SUMMARY EXAMINATION AREA NUMBER IDENTIFICATION	INSPECTION INTERVAL		PLAN STATUS			PRESERVICE YEAR	INSTRUCTIONS
	ASME	SEC. XI	FIRST PERIOD	SECOND PERIOD	THIRD PERIOD		
	CATGY	NDE	O U T A G E				
	ITEM NO	METH	1 2	1 2 3	1 2		**CALIBRATION BLOCK**

CONTAINMENT SPRAY 12-CT-1-008-151R-2

707400	TBX-2-2578-H8	F-A	VT-3				NA	SPRING
	CT-1-008-001-S22S	F1.20		2 - -	- C -	- -		
	R51 778SB							
707450	TBX-2-2578-H8	C-C	PT				NA	4-1.5X1.5 PIPE LUGS
	CT-1-008-001-S22S	C3.20		2 - -	- C -	- -		
	R51 778SB							

CONTAINMENT SPRAY 16-CT-1-014-301R-2

712100	TBX-2-2573-H14	F-A	VT-3				NA	SPRING
	CT-1-014-003-S42S	F1.20		2 - -	- - -	- C		
	R77N 817SB							
712150	TBX-2-2573-H14	C-C	PT				NA	4-2X3.25 PIPE LUGS
	CT-1-014-003-S42S	C3.20		2 - -	- - -	- C		
	R77N 817SB							
712200	TBX-2-2574-H3	F-A	VT-3				NA	STRUT
	CT-1-014-004-S42R	F1.20		2 - -	- - -	- C		
	R77N 820SB							
712400	TBX-2-2574-H1	F-A	VT-3				NA	STRUT
	CT-1-014-006-S42R	F1.20		2 - -	- - -	- C		
	R77N 820SB							
712500	TBX-2-2574-H2	F-A	VT-3				NA	SNUBBER
	CT-1-014-008-S42K	F1.20		2 - -	- - -	- C		
	R77N 820SB							

COMANCHE PEAK UNIT 1
 INSERVICE INSPECTION PLAN
 CLASS 2 COMPLETED COMPONENTS

SUMMARY EXAMINATION AREA NUMBER IDENTIFICATION	INSPECTION INTERVAL		PLAN STATUS			PRESERVICE YEAR	INSTRUCTIONS
	ASME SEC. XI CATGY NDE ITEM NO METH		FIRST PERIOD	SECOND PERIOD	THIRD PERIOD		
			1 2	1 2 3	1 2		**CALIBRATION BLOCK**

CONTAINMENT SPRAY 16-CT-1-014-301R-2

712550	TBX-2-2574-H2 CT-1-014-008-S42K R77N 820SB	C-C PT C3.20	2 - -	- - -	- C	NA	8-2X2 PIPE LUGS
712700	TBX-2-2573-H15 CT-1-014-010-S42K R77N 820SB	F-A VT-3 F1.20	2 - -	- - -	- C	NA	SNUBBER
712750	TBX-2-2573-H15 CT-1-014-010-S42K R77N 820SB	C-C PT C3.20	2 - -	- - -	- C	NA	12-1.75X3.75 PIPE LUGS
713000	TBX-2-2573-H12 CT-1-014-015-S32K R63 804SB	F-A VT-3 F1.20	2 - -	- - -	- C	NA	SNUBBER

CONTAINMENT SPRAY 16-CT-1-024-301R-2

716400	TBX-2-2538-H17 CT-1-024-003-S22R R69 787SB	F-C VT-3 NOTE 1	2 C -	- - -	- -	NA	STRUT
716450	TBX-2-2538-H17 CT-1-024-003-S22R R69 787SB	C-C PT C3.20	2 C -	- - -	- -	NA	8-1" LUGS.

CONTAINMENT SPRAY 16-CT-1-122-2501R-2

717900	TBX-2-2537-H1 CT-1-122-002-S32R R65 803SB	F-A VT-3 F1.20	2 - -	- - C	- -	NA	STRUT
--------	---	-------------------	-------	-------	-----	----	-------

COMANCHE PEAK UNIT 1
 INSERVICE INSPECTION PLAN
 CLASS 2 COMPLETED COMPONENTS

SUMMARY EXAMINATION AREA NUMBER IDENTIFICATION	INSPECTION INTERVAL	PLAN STATUS			PRESERVICE YEAR	INSTRUCTIONS
		FIRST PERIOD	SECOND PERIOD	THIRD PERIOD		
	ASME SEC. XI	-----				
	CATGY NDE	O U T A G E				
	ITEM NO METH	1 2	1 2 3	1 2		**CALIBRATION BLOCK**

FEEDWATER 18-FW-1-017-1303-2

718800	TBX-2-2301-H27 FW-1-017-008-C72S R155A877RB	F-A	VT-3			NA	SPRING. TDLR VERIFICATION BOUNDARY.
		F1.20	2 - -	- - C	- -		
718850	TBX-2-2301-H27 FW-1-017-008-C72S R155A877RB	C-C	MT			NA	4-1 1/2" LUGS. TDLR VERIFICATION BOUNDARY.
		C3.20	2 - -	- - C	- -		
719200	TBX-2-2301-H4 FW-1-017-702-C52K R155H832RB	F-A	VT-3			NA	SNUBBER. TDLR VERIFICATION BOUNDARY.
		F1.20	2 - -	- - -	- C		
719250	TBX-2-2301-H4 FW-1-017-702-C52K R155H832RB	C-C	MT			NA	16" S80 STANCHION. TDLR VERIFICATION BOUNDARY.
		C3.20	2 - -	- - -	- C		
719300	TBX-2-2301-H5 FW-1-017-703-C52K R155A835RB	F-A	VT-3			NA	SNUBBER. TDLR VERIFICATION BOUNDARY.
		F1.20	2 - -	- - -	- C		
719350	TBX-2-2301-H5 FW-1-017-703-C52K R155A835RB	C-C	MT			NA	18" S80 STANCHION. TDLR VERIFICATION BOUNDARY.
		C3.20	2 - -	- - -	- C		
719600	TBX-2-2301-H20 FW-1-017-709-C72K R155A888RB	F-A	VT-3				SNUBBER. TDLR VERIFICATION BOUNDARY.
		F1.20	2 - -	- - C	- -		

COMANCHE PEAK UNIT 1
 INSERVICE INSPECTION PLAN
 CLASS 2 COMPLETED COMPONENTS

SUMMARY EXAMINATION AREA NUMBER IDENTIFICATION	INSPECTION INTERVAL		PLAN STATUS			PRESERVICE YEAR	INSTRUCTIONS
	ASME SEC. XI CATGY NDE ITEM NO METH		FIRST PERIOD	SECOND PERIOD	THIRD PERIOD		
			1 2	1 2 3	1 2		**CALIBRATION BLOCK**

FEEDWATER 18-FW-1-017-1303-2

719650	TBX-2-2301-H20 FW-1-017-709-C72K R155A888RB	C-C MT C3.20	2 - -	- - C	- -	NA	16-1 1/2" LUGS. TDLR VERIFICATION BOUNDARY.
720300	TBX-2-2301-H24 FW-1-017-716-C52R R13 856RB	F-A VT-3 F1.20	2 - -	- - C	- -	NA	STRUT. TDLR VERIFICATION BOUNDARY.
720400	TBX-2-2301-H6 FW-1-017-717-C52S R155A843RB	F-A VT-3 F1.20	2 - -	- - -	- C	NA	SPRING. TDLR VERIFICATION BOUNDARY.
720450	TBX-2-2301-H6 FW-1-017-717-C52S R155A843RB	C-C MT C3.20	2 - -	- - -	- C	NA	8-1 1/2" LUGS. TDLR VERIFICATION BOUNDARY.

FEEDWATER 18-FW-1-018-1303-2

721000	TBX-2-2201-H36 FW-1-018-002-S62R R100A856SB	F-C VT-3 NOTE 1	2 C -	- - -	- -	NA	STRUT. TDLR VERIFICATION BOUNDARY.
721100	TBX-2-2201-H8 FW-1-018-003-C62S R155A882RB	F-A VT-3 F1.20	2 - -	- - -	- C	NA	SPRING. TDLR VERIFICATION BOUNDARY.
721150	TBX-2-2201-H8 FW-1-018-003-C62S R155A882RB	C-C MT C3.20	2 - -	- - -	- C	NA	1-1 1/2" LUGS. TDLR VERIFICATION BOUNDARY.

COMANCHE PEAK UNIT 1
 INSERVICE INSPECTION PLAN
 CLASS 2 COMPLETED COMPONENTS

SUMMARY EXAMINATION AREA NUMBER IDENTIFICATION	INSPECTION INTERVAL		PLAN STATUS			PRESERVICE YEAR	INSTRUCTIONS
	ASME SEC. XI CATGY NDE ITEM NO METH		FIRST PERIOD	SECOND PERIOD	THIRD PERIOD		
			1 2	1 2 3	1 2		**CALIBRATION BLOCK**
<hr/>							
<u>FEEDWATER 18-FW-1-018-1303-2</u>							
721600 TBX-2-2201-H26 FW-1-018-008-C72R R155A888RB	F-A F1.20	VT-3	2 - -	- - -	- C	NA	BOX. TDLR VERIFICATION BOUNDARY.
721700 TBX-2-2201-H29 FW-1-018-009-C72S R155A877RB	F-A F1.20	VT-3	2 - -	- - -	- C	NA	SPRING. TDLR VERIFICATION BOUNDARY.
721750 TBX-2-2201-H29 FW-1-018-009-C62S R155A877RB	C-C C3.20	MT	2 - -	- - -	- C	NA	4-1 1/2" LUGS # TDLR VERIFICATION BOUNDARY.
722200 TBX-2-2201-H31 FW-1-018-016-C52K R155A856RB	F-A F1.20	VT-3	2 - -	- - -	- C	NA	SNUBBER. TDLR VERIFICATION BOUNDARY.
722250 TBX-2-2201-H31 FW-1-018-016-C52K R155A856RB	C-C C3.20	MT	2 - -	- - -	- C	NA	16" S80 STANCHION. TDLR VERIFICATION BOUNDARY.
722900 TBX-2-2201-H4 FW-1-018-702-C52K R155A834RB	F-A F1.20	VT-3	2 - -	- - -	- C	NA	SNUBBER. TDLR VERIFICATION BOUNDARY.
722950 TBX-2-2201-H4 FW-1-018-702-C52K R155A834RB	C-C C3.20	MT	2 - -	- - -	- C	NA	18" S80 STANCHION. TDLR VERIFICATION BOUNDARY.

COMANCHE PEAK UNIT 1
INSERVICE INSPECTION PLAN
CLASS 2 COMPLETED COMPONENTS

SUMMARY EXAMINATION AREA NUMBER IDENTIFICATION	INSPECTION INTERVAL		PLAN STATUS			PRESERVICE YEAR	INSTRUCTIONS
	ASME SEC. XI CATGY NDE ITEM NO METH		FIRST PERIOD	SECOND PERIOD	THIRD PERIOD		
			O U T A G E				**CALIBRATION BLOCK**
			1 2	1 2 3	1 2		

FEEDWATER 18-FW-1-018-1303-2

723100	TBX-2-2201-H13 FW-1-018-705-C72K R155A888RB	F-A F1.20	VT-3	2 - -	- - -	- C	NA	SNUBBER. TDLR VERIFICATION BOUNDARY.
723150	TBX-2-2201-H13 FW-1-018-705-C72K R155A888RB	C-C C3.20	MT	2 - -	- - -	- C	NA	18" S80 STANCHION. TDLR VERIFICATION BOUNDARY.
723700	TBX-2-2201-H27 FW-1-018-712-C72K R155A888RB	F-A F1.20	VT-3	2 - -	- - -	- C	NA	SNUBBER. TDLR VERIFICATION BOUNDARY.
723750	TBX-2-2201-H27 FW-1-018-712-C72K R155A888RB	C-C C3.20	MT	2 - -	- - -	- C	NA	1-18" SCH 80. TDLR VERIFICATION BOUNDARY.

FEEDWATER 18-FW-1-019-1303-2

724500	TBX-2-2101-H7 FW-1-019-001-S62R R100A856SB	F-A F1.20	VT-3	2 - -	- C -	- -	NA	STRUT. TDLR VERIFICATION BOUNDARY.
724800	TBX-2-2101-H2 FW-1-019-701-C42K R154I828RB	F-A F1.20	VT-3	2 - -	- - -	- C	NA	SNUBBER. TDLR VERIFICATION BOUNDARY.
724850	TBX-2-2101-H2 FW-1-019-701-C42K R154I828RB	C-C C3.20	MT	2 - -	- - -	- C	NA	1 1/2" 360 SADDLE. TDLR VERIFICATION BOUNDARY.

COMANCHE PEAK UNIT 1
 INSERVICE INSPECTION PLAN
 CLASS 2 COMPLETED COMPONENTS

SUMMARY EXAMINATION AREA NUMBER IDENTIFICATION	INSPECTION INTERVAL		PLAN STATUS			PRESERVICE YEAR	INSTRUCTIONS
	ASME SEC. XI CATGY NDE ITEM NO METH		FIRST PERIOD	SECOND PERIOD	THIRD PERIOD		
			1 2	1 2 3	1 2		**CALIBRATION BLOCK**
<u>FEEDWATER 18-FW-1-019-1303-2</u>							
725000 TBX-2-2101-H3A FW-1-019-703-C42K R154I828RB	F-A F1.20	VT-3 2 - -	- - -	- - -	- C	NA	SNUBBER. TDLR VERIFICATION BOUNDARY.
725050 TBX-2-2101-H3A FW-1-019-703-C42K R155H828RB	C-C C3.20	MT 2 - -	- - -	- - -	- C	NA	16" S80 STANCHION. TDLR VERIFICATION BOUNDARY.
725100 TBX-2-2101-H3B FW-1-019-704-C52K R155H837RB	F-A F1.20	VT-3 2 - -	- - -	- - -	- C	NA	SNUBBER. TDLR VERIFICATION BOUNDARY.
725150 TBX-2-2101-H3B FW-1-019-704-C52K R155H837RB	C-C C3.20	MT 2 - -	- - -	- - -	- C	NA	18" S80 STANCHION. TDLR VERIFICATION BOUNDARY.
<u>FEEDWATER 18-FW-1-020-1303-2</u>							
725500 TBX-2-2401-H10 FW-1-020-001-S62R R100A856SB	F-A F1.20	VT-3 2 - -	- - -	- - -	- C	NA	STRUT. TDLR VERIFICATION BOUNDARY.
725800 TBX-2-2401-H2 FW-1-020-700-C42K R154L828RB	F-C NOTE 1	VT-3 2 - -	- - -	C - -	- -	NA	SNUBBER. TDLR VERIFICATION BOUNDARY.
725850 TBX-2-2401-H2 FW-1-020-700-C42K R154L828RB	C-C C3.20	MT 2 - -	- - -	C - -	- -	NA	8-1 1/2" LUGS. TDLR VERIFICATION BOUNDARY.

DATE: 07/15/11

COMANCHE PEAK UNIT 1
 INSERVICE INSPECTION PLAN
 CLASS 2 COMPLETED COMPONENTS

PAGE: 112

SUMMARY EXAMINATION AREA NUMBER IDENTIFICATION	INSPECTION INTERVAL		PLAN STATUS			PRESERVICE YEAR	INSTRUCTIONS
	ASME SEC. XI CATGY NDE ITEM NO METH		FIRST PERIOD	SECOND PERIOD	THIRD PERIOD		
			O U T A G E				**CALIBRATION BLOCK**
			1 2	1 2 3	1 2		

FEEDWATER 18-FW-1-020-1303-2

726100 TBX-2-2401-H6 F-C VT-3 NA SNUBBER. TDLR VERIFICATION
 FW-1-020-703-C52K NOTE 1 2 - - C - - - - BOUNDARY.
 R154L838RB

726150 TBX-2-2401-H6 C-C MT NA 18" S80 STANCHION. TDLR
 FW-1-020-703-C52K C3.20 2 - - C - - - - VERIFICATION BOUNDARY.
 R154L838RB

FEEDWATER 18-FW-1-017-1303-2

726525 TBX-2-2301-H30 F-A VT-3 NA SNUBBER. ADDED PER
 FW-1-017-723-C52K F1.20 2 - - - - - C FDA-2005-000224-01 IN 1RF12..

726550 TBX-2-2301-H31 F-A VT-3 NA SNUBBER. ADDED PER
 FW-1-017-722-C52K F1.20 2 - - - - - C FDA-2005-000224-01 IN 1RF12.

FEEDWATER 18-FW-1-019-1303-2

727025 TBX-2-2101-H11 F-A VT-3 NA SNUBBER. ADDED PER
 FW-1-019-709-C52K F1.20 2 - - - - - C FDA-2005-000224-01 IN 1RF12.
 PER

727050 TBX-2-2101-H12 F-A VT-3 NA SNUBBER. ADDED PER
 FW-1-019-708-C52K F1.20 2 - - - - - C FDA-2005-000224-01 IN 1RF12.
 PER

COMANCHE PEAK UNIT 1
 INSERVICE INSPECTION PLAN
 CLASS 2 COMPLETED COMPONENTS

SUMMARY EXAMINATION AREA NUMBER IDENTIFICATION	INSPECTION INTERVAL	PLAN STATUS						PRESERVICE YEAR	INSTRUCTIONS
		ASME SEC. XI CATGY NDE ITEM NO METH	FIRST PERIOD	SECOND PERIOD	THIRD PERIOD	O U T A G E			
			1 2	1 2 3	1 2			**CALIBRATION BLOCK**	

FEEDWATER 18-FW-1-020-1303-2

727325	TBX-2-2401-H14 FW-1-020-707-C62K	F-A VT-3 F1.20	2 - -	- - -	- C		NA	SNUBBER. ADDED PER FDA-2005-000224-01 IN 1RF12.
727350	TBX-2-2401-H15 FW-1-020-708-C52K	F-A VT-3 F1.20	2 - -	- - -	- C		NA	SNUBBER. ADDED PER FDA-2005-000224-01 IN 1RF12.

FEEDWATER 6-FW-1-095-1303-2

729000	TBX-2-2102-H11 FW-1-095-003-C62R R155H868RB	F-A VT-3 F1.20	2 - -	- C -	- - -		NA	STRUT. TDLR VERIFICATION BOUNDARY.
729800	TBX-2-2102-H26 FW-1-095-013-C62S R155H869RB	F-C VT-3 NOTE 1	2 - C	- - -	- - -		NA	SPRING. TDLR VERIFICATION BOUNDARY. THIS SUPPORT WAS LATER REMOVED IN 1RF12 PER SGR AND FDA-2005-000224-02.
729850	TBX-2-2102-H26 FW-1-095-013-C62S R155H869RB	C-C MT C3.20	2 - C	- - -	- - -		NA	4-1" LUGS. TDLR VERIFICATION BOUNDARY. THIS SUPPORT WAS LATER REMOVED IN 1RF12 PER SGR AND FDA-2005-000224-02.
729900	TBX-2-2102-H23 FW-1-095-700-C62K R155H864RB	F-C VT-3 NOTE 1	2 C -	- - -	- - -		NA	SNUBBER. TDLR VERIFICATION BOUNDARY.
729950	TBX-2-2102-H23 FW-1-095-700-C62K R155H864RB	C-C MT C3.20	2 C -	- - -	- - -		NA	8-1" LUGS. TDLR VERIFICATION BOUNDARY.

COMANCHE PEAK UNIT 1
 INSERVICE INSPECTION PLAN
 CLASS 2 COMPLETED COMPONENTS

SUMMARY EXAMINATION AREA NUMBER IDENTIFICATION	INSPECTION INTERVAL		PLAN STATUS			PRESERVICE YEAR	INSTRUCTIONS
	ASME SEC. XI CATGY NDE ITEM NO METH		FIRST PERIOD	SECOND PERIOD	THIRD PERIOD		
			1 2	1 2 3	1 2		**CALIBRATION BLOCK**
<hr/>							
<u>FEEDWATER 6-FW-1-095-1303-2</u>							
730000 TBX-2-2102-H16 FW-1-095-701-C62K R155H870RB	F-C NOTE 1	VT-3	2 C -	- - -	- - -	NA	SNUBBER. TDLR VERIFICATION BOUNDARY.
730050 TBX-2-2102-H16 FW-1-095-701-C62K R155H870RB	C-C C3.20	MT	2 C -	- - -	- - -	NA	8-1" LUGS. TDLR VERIFICATION BOUNDARY.
<u>FEEDWATER 6-FW-1-096-1303-2</u>							
730900 TBX-2-2202-H4 FW-1-096-002-S62R R100A863SB	F-C NOTE 1	VT-3	2 C -	- - -	- - -	NA	STRUT. TDLR VERIFICATION BOUNDARY.
731800 TBX-2-2202-H33 FW-1-096-010-C62R R40 869RB	F-A F1.20	VT-3	2 - -	- - -	- C	NA	STRUT. TDLR VERIFICATION BOUNDARY.
733700 TBX-2-2202-H17 FW-1-096-034-C62R R14 868RB	F-A F1.20	VT-3	2 - -	- - -	- C	NA	STRUT. TDLR VERIFICATION BOUNDARY.
733750 TBX-2-2202-H17 FW-1-096-034-C62R R14 868RB	C-C C3.20	MT	2 - -	- - -	- C	NA	6-3/4" LUGS. TDLR VERIFICATION BOUNDARY.
734500 TBX-2-2202-H20 FW-1-096-705-C62K R14 868RB	F-A F1.20	VT-3	2 - -	- - -	- C	NA	SNUBBER. TDLR VERIFICATION BOUNDARY.

COMANCHE PEAK UNIT 1
 INSERVICE INSPECTION PLAN
 CLASS 2 COMPLETED COMPONENTS

SUMMARY EXAMINATION AREA NUMBER IDENTIFICATION	INSPECTION INTERVAL	PLAN STATUS			PRESERVICE YEAR	INSTRUCTIONS
		ASME SEC. XI CATGY NDE ITEM NO METH	FIRST PERIOD	SECOND PERIOD		
			1 2	1 2 3	1 2	**CALIBRATION BLOCK**

FEEDWATER 6-FW-1-097-1303-2

737750	TBX-2-2302-H42 FW-1-097-028-C62R R255N877RB	C-C MT C3.20	2 - -	- - C	- -	NA	8-1" LUGS. TDLR VERIFICATION BOUNDARY.
738000	TBX-2-2302-H37 FW-1-097-031-C62R R155N868RB	F-A VT-3 F1.20	2 - -	- - C	- -	NA	STRUT. TDLR VERIFICATION BOUNDARY.
738200	TBX-2-2302-H47 FW-1-097-034-C62R R155N868RB	F-A VT-3 F1.20	2 - -	- - C	- -	NA	STRUT. TDLR VERIFICATION BOUNDARY.
738250	TBX-2-2302-H47 FW-1-097-034-C62R R155N868RB	C-C MT C3.20	2 - -	- - C	- -	NA	8-7/8" LUGS. TDLR VERIFICATION BOUNDARY.
739100	TBX-2-2302-H16 FW-1-097-701-C62R R155L867RB	F-A VT-3 F1.20	2 - -	- - C	- -	NA	STRUT. TDLR VERIFICATION BOUNDARY.
739150	TBX-2-2302-H16 FW-1-097-701-C62R R155L867RB	C-C MT C3.20	2 - -	- - C	- -	NA	8-1" LUGS. TDLR VERIFICATION BOUNDARY.
739200	TBX-2-2302-H21 FW-1-097-702-C62K R155L867RB	F-A VT-3 F1.20	2 - -	- - C	- -	NA	SNUBBER. TDLR VERIFICATION BOUNDARY.

COMANCHE PEAK UNIT 1
 INSERVICE INSPECTION PLAN
 CLASS 2 COMPLETED COMPONENTS

INSPECTION INTERVAL		PLAN STATUS			PRESERVICE YEAR		
		FIRST PERIOD	SECOND PERIOD	THIRD PERIOD			
ASME		-----	-----	-----			
SEC. XI		-----	-----	-----			
SUMMARY EXAMINATION AREA		CATGY	NDE	O U T A G E		INSTRUCTIONS	
NUMBER	IDENTIFICATION	ITEM NO	METH	1 2	1 2 3	1 2	**CALIBRATION BLOCK**

FEEDWATER 6-FW-1-097-1303-2

739250 TBX-2-2302-H21 C-C MT NA 8-3/4" LUGS. TDLR VERIFICATION
 FW-1-097-702-C62K C3.20 2 - - - - C - - -
 R155L867RB BOUNDARY.

FEEDWATER 6-FW-1-098-1303-2

741500 TBX-2-2402-H38 F-C VT-3 NA SPRING. TDLR VERIFICATION
 FW-1-098-017-C62S NOTE 1 2 - - C - - - -
 R155K869RB BOUNDARY. THIS HANGER WAS
 LATER REMOVED IN 1RF12 PER SGR
 AND FDA-2005-000224-02.

741550 TBX-2-2402-H38 C-C MT NA 4-1" LUGS. TDLR VERIFICATION
 FW-1-098-017-C62S C3.20 2 - - C - - - -
 R155K869RB BOUNDARY. THIS HANGER WAS
 LATER REMOVED IN 1RF12 PER SGR
 AND FDA-2005-000224-02.

741600 TBX-2-2402-H34 F-C VT-3 NA SNUBBER. TDLR VERIFICATION
 FW-1-098-700-C62K NOTE 1 2 - - C - - - -
 R155K865RB BOUNDARY.

741650 TBX-2-2402-H34 C-C MT NA 8-1" LUGS. TDLR VERIFICATION
 FW-1-098-700-C62K C3.20 2 - - C - - - -
 R155K865RB BOUNDARY.

FEEDWATER 6-FW-1-099-1303-2

742700 TBX-2-2102-H29 F-A VT-3 NA STRUT. TDLR VERIFICATION
 FW-1-099-701-C62R F1.20 2 - - - C - - -
 R155L863RB BOUNDARY. THIS SUPPORT WAS
 LATER REMOVED IN 1RF12 PER SGR
 AND FDA-2005-000224-02

COMANCHE PEAK UNIT 1
 INSERVICE INSPECTION PLAN
 CLASS 2 COMPLETED COMPONENTS

SUMMARY EXAMINATION AREA NUMBER IDENTIFICATION	INSPECTION INTERVAL	PLAN STATUS			PRESERVICE YEAR	INSTRUCTIONS
		ASME SEC. XI CATGY NDE ITEM NO METH	FIRST PERIOD	SECOND PERIOD		
			1 2	1 2 3	1 2	**CALIBRATION BLOCK**
<u>FEEDWATER 6-FW-1-099-1303-2</u>						
742750	TBX-2-2102-H29 FW-1-099-701-C62R R155L863RB	C-C MT C3.20	2 - -	- C -	- - -	NA 8-3/4" LUGS. TDLR VERIFICATION BOUNDARY. THIS SUPPORT WAS LATER REMOVED IN 1RFL2 PER SGR AND FDA-2005-000224-02.
<u>FEEDWATER 6-FW-1-102-1303-2</u>						
745400	TBX-2-2402-H19 FW-1-102-700-C62R R14 864RB	F-B VT-3 NOTE 1	2 - C	- - -	- - -	NA BOX. TDLR VERIFICATION BOUNDARY. THIS HANGER WAS LATER REMOVED IN 1RFL2 PER SGR AND FDA-2005-000224-02.
745450	TBX-2-2402-H19 FW-1-102-700-C62R R14 864RB	C-C MT C3.20	2 - C	- - -	- - -	NA 8-1" LUGS. TDLR VERIFICATION BOUNDARY. THIS HANGER WAS LATER REMOVED IN 1RFL2 PER SGR AND FDA-2005-000224-02.
<u>MAIN STEAM 32-MS-1-001-1303-2</u>						
745800	TBX-2-2100-H2 MS-1-001-001-C72S R1550900RB	F-A VT-3 F1.20	2 - -	- C -	- - -	NA SPRING. TDLR VERIFICATION BOUNDARY.
746300	TBX-2-2100-H4 MS-1-001-005-C72K R1550890RB	F-A VT-3 F1.20	2 - -	- C -	- - -	NA SNUBBER. TDLR VERIFICATION BOUNDARY.
746350	TBX-2-2100-H4 MS-1-001-005-C72K R1550890RB	C-C MT C3.20	2 - -	- C -	- - -	NA 24" S60 STANCHION. TDLR VERIFICATION BOUNDARY.

COMANCHE PEAK UNIT 1
 INSERVICE INSPECTION PLAN
 CLASS 2 COMPLETED COMPONENTS

INSPECTION INTERVAL		PLAN STATUS			PRESERVICE YEAR
		FIRST PERIOD	SECOND PERIOD	THIRD PERIOD	
ASME					
SEC. XI		-----			
CATGY NDE		O U T A G E			INSTRUCTIONS
ITEM NO METH		1 2	1 2 3	1 2	**CALIBRATION BLOCK**

MAIN STEAM 32-MS-1-002-1303-2

747000	TXB-2-2200-H1 MS-1-002-004-C72K R155N900RB	F-A	VT-3	2 - -	- C - - -	NA	SNUBBER. TDLR VERIFICATION BOUNDARY.
747050	TXB-2-2200-H1 MS-1-002-004-C72K R155N900RB	C-C	MT	2 - -	- C - - -	NA	3/4" SADDLE. TDLR VERIFICATION BOUNDARY.
747200	TXB-2-2200-H3 MS-1-002-006-C72K R155N900RB	F-A	VT-3	2 - -	- C - - -	NA	SNUBBER. TDLR VERIFICATION BOUNDARY.
747250	TXB-2-2200-H3 MS-1-002-006-C72K R155N900RB	C-C	MT	2 - -	- C - - -	NA	1" SADDLE. TDLR VERIFICATION BOUNDARY.
747400	TXB-2-2200-H9 MS-1-002-008-C72K R155N900RB	F-A	VT-3	2 - -	- C - - -	NA	SNUBBER. TDLR VERIFICATION BOUNDARY.
747700	TXB-2-2200-H6 MS-1-002-013-C72K R155N900RB	F-A	VT-3	2 - -	- C - - -	NA	SNUBBER. TDLR VERIFICATION BOUNDARY.
747750	TXB-2-2200-H6 MS-1-002-013-C72K R155N900RB	C-C	MT	2 - -	- C - - -	NA	2-1" SADDLES. TDLR VERIFICATION BOUNDARY.

COMANCHE PEAK UNIT 1
 INSERVICE INSPECTION PLAN
 CLASS 2 COMPLETED COMPONENTS

SUMMARY EXAMINATION AREA NUMBER IDENTIFICATION	INSPECTION INTERVAL		PLAN STATUS			PRESERVICE YEAR	INSTRUCTIONS
	ASME SEC. XI CATGY NDE ITEM NO METH		FIRST PERIOD	SECOND PERIOD	THIRD PERIOD		
			1 2	1 2 3	1 2		**CALIBRATION BLOCK**
<hr/>							
<u>MAIN STEAM 32-MS-1-003-1303-2</u>							
748500 TBX-2-2300-H1 MS-1-003-005-C72K R155A895RB	F-A VT-3 F1.20		2 - -	- - -	- C	NA	SNUBBER. TDLR VERIFICATION BOUNDARY.
748550 TBX-2-2300-H1 MS-1-003-005-C72K R155A895RB	C-C MT C3.20		2 - -	- - -	- C	NA	1" SADDLE. TDLR VERIFICATION BOUNDARY.
748700 TBX-2-2300-H3 MS-1-003-007-C72K R155A894RB	F-A VT-3 F1.20		2 - -	- - -	- C	NA	SNUBBER. TDLR VERIFICATION BOUNDARY.
748750 TBX-2-2300-H3 MS-1-003-007-C72K R155A894RB	C-C MT C3.20		2 - -	- - -	- C	NA	2" SADDLE. TDLR VERIFICATION BOUNDARY.
748800 TBX-2-2300-H6 MS-1-003-009-C72K R155A894RB	F-A VT-3 F1.20		2 - -	- - -	- C	NA	SNUBBER. TDLR VERIFICATION BOUNDARY.
748850 TBX-2-2300-H6 MS-1-003-009-C72K R155A894RB	C-C MT C3.20		2 - -	- - -	- C	NA	2-20" S80 STANCHIONS. TDLR VERIFICATION BOUNDARY.
748900 TBX-2-2300-H8 MS-1-003-010-C72K R155A894RB	F-A VT-3 F1.20		2 - -	- - -	- C	NA	SNUBBER. TDLR VERIFICATION BOUNDARY.

COMANCHE PEAK UNIT 1
INSERVICE INSPECTION PLAN
CLASS 2 COMPLETED COMPONENTS

SUMMARY EXAMINATION AREA NUMBER IDENTIFICATION	INSPECTION INTERVAL		PLAN STATUS			PRESERVICE YEAR	INSTRUCTIONS
	ASME SEC. XI CATGY NDE ITEM NO METH		FIRST PERIOD	SECOND PERIOD	THIRD PERIOD		
			1 2	1 2 3	1 2		**CALIBRATION BLOCK**
<hr/>							
<u>MAIN STEAM 32-MS-1-003-1303-2</u>							
748950	TBX-2-2300-H8 MS-1-003-010-C72K R155A894RB	C-C MT C3.20	2 - -	- - -	- C	NA	2-1 1/2" SADDLES. TDLR VERIFICATION BOUNDARY.
749100	TBX-2-2300-H13 MS-1-003-014-C72K R155A894RB	F-A VT-3 F1.20	2 - -	- - -	- C	NA	SNUBBER. TDLR VERIFICATION BOUNDARY.
749150	TBX-2-2300-H13 MS-1-003-014-C72K R155A894RB	C-C MT C3.20	2 - -	- - -	- C	NA	2-1 1/2" SADDLES. TDLR VERIFICATION BOUNDARY.
<u>MAIN STEAM 32-MS-1-004-1303-2</u>							
749600	TBX-2-2400-H6 MS-1-004-003-C72S R155A877RB	F-C VT-3 NOTE 1	2 - C	- - -	- -	NA	SPRING. TDLR VERIFICATION BOUNDARY.
750000	TBX-2-2400-H3 MS-1-004-007-C72K R155A890RB	F-C VT-3 NOTE 1	2 - C	- - -	- -	NA	SNUBBER. TDLR VERIFICATION BOUNDARY.
750050	TBX-2-2400-H3 MS-1-004-007-C72K R1550890RB	C-C MT C3.20	2 - C	- - -	- -	NA	2-1 1/2" SADDLES. TDLR VERIFICATION BOUNDARY.
750100	TBX-2-2400-H8 MS-1-004-009-C62K R1550883RB	F-C VT-3 NOTE 1	2 - C	- - -	- -	NA	SNUBBER. TDLR VERIFICATION BOUNDARY.

COMANCHE PEAK UNIT 1
 INSERVICE INSPECTION PLAN
 CLASS 2 COMPLETED COMPONENTS

SUMMARY EXAMINATION AREA NUMBER IDENTIFICATION	INSPECTION INTERVAL		PLAN STATUS			PRESERVICE YEAR	INSTRUCTIONS
	ASME SEC. XI CATGY NDE ITEM NO METH		FIRST PERIOD	SECOND PERIOD	THIRD PERIOD		
			1 2	1 2 3	1 2		**CALIBRATION BLOCK**
<hr/>							
<u>MAIN STEAM 32-MS-1-004-1303-2</u>							
750150	TBX-2-2400-H8 MS-1-004-009-C62K R1550883RB	C-C MT C3.20	2 - C	- - -	- - -	NA	2-1 1/2" SADDLES. TDLR VERIFICATION BOUNDARY.
<u>MAIN STEAM 8-MS-1-240-1303-2</u>							
750500	TBX-2-2200-H13 MS-1-240-001-S72K R109 885SB	F-A VT-3 F1.20	2 - -	- - -	- C	NA	SNUBBER. TDLR VERIFICATION BOUNDARY.
750600	TBX-2-2200-H14 MS-1-240-002-S72K R109 885SB	F-A VT-3 F1.20	2 - -	- - -	- C	NA	SNUBBER. TDLR VERIFICATION BOUNDARY.
<u>MAIN STEAM 8-MS-1-257-1303-2</u>							
750700	TBX-2-2100-H11 MS-1-257-001-S72K R109 885SB	F-A VT-3 F1.20	2 - -	- - -	- C	NA	SNUBBER. TDLR VERIFICATION BOUNDARY. ADDED IN 1RF14 AND REPLACES TBX-2-2202-H38.
750750	TBX-2-2100-H11-WA MS-1-257-001-S72K R109 885SB	F-A VT-1 F1.20	2 - -	- - -	- C	NA	SNUBBER. TDLR VERIFICATION BOUNDARY. ADDED IN 1RF14 AND REPLACES TBX-2-2202-H38.
<u>RESIDUAL HEAT REMOVAL 12-RH-1-003-601R-2</u>							
751100	TBX-2-2500-H3 RH-1-003-002-S42R R77S 814SB	F-C VT-3 NOTE 1	2 - C	- - -	- - -	NA	STRUT

COMANCHE PEAK UNIT 1
INSERVICE INSPECTION PLAN
CLASS 2 COMPLETED COMPONENTS

		INSPECTION INTERVAL		PLAN STATUS			PRESERVICE YEAR	INSTRUCTIONS
				FIRST PERIOD	SECOND PERIOD	THIRD PERIOD		
SUMMARY EXAMINATION AREA		ASME	SEC. XI	-----				
NUMBER IDENTIFICATION		CATGY	NDE	O U T A G E				
		ITEM NO	METH	1 2	1 2 3	1 2		**CALIBRATION BLOCK**

RESIDUAL HEAT REMOVAL 12-RH-1-003-601R-2

751150 TBX-2-2500-H3 C-C PT NA 8-1 1/2" LUGS.
RH-1-003-002-S42R C3.20 2 - C - - -
R77S 814SB

751200 TBX-2-2500-H6 F-A VT-3 NA SPRING
RH-1-003-004-S32S F1.20 2 - - - - C - -
R67 803SB

751600 TBX-2-2500-H8 F-A VT-3 NA SNUBBER
RH-1-003-008-S32K F1.20 2 - - - - C - -
R67 799SB

751700 TBX-2-2500-H4 F-A VT-3 NA STRUT
RH-1-003-010-S42R F1.20 2 - - - - C - -
R65 805SB

RESIDUAL HEAT REMOVAL 12-RH-1-004-601R-2

751900 TBX-2-2501-H3 F-B VT-3 NA BOX
RH-1-004-002-S42R NOTE 1 2 - C - - -
R77N 813SB

751950 TBX-2-2501-H3 C-C PT NA 8-1 1/4" LUGS.
RH-1-004-002-S42R C3.20 2 - C - - -
R77N 813SB

RESIDUAL HEAT REMOVAL 16-RH-1-007-601R-2

752800 TBX-2-2500-H15 F-C VT-3 NA SPRING.
RH-1-007-002-S22S NOTE 1 2 - - C - - -
R53 775SB

COMANCHE PEAK UNIT 1
INSERVICE INSPECTION PLAN
CLASS 2 COMPLETED COMPONENTS

SUMMARY EXAMINATION AREA NUMBER IDENTIFICATION	INSPECTION INTERVAL		PLAN STATUS			PRESERVICE YEAR	INSTRUCTIONS
	ASME SEC. XI CATGY NDE ITEM NO METH		FIRST PERIOD	SECOND PERIOD	THIRD PERIOD		
			1 2	1 2 3	1 2		**CALIBRATION BLOCK**

RESIDUAL HEAT REMOVAL 16-RH-1-008-601R-2

753450 TBX-2-2501-H10 C-C PT NA 8-1 1/2" LUGS.
 RH-1-008-003-S32R C3.20 2 - C - - -
 R66 793SB

753700 TBX-2-2501-H12 F-A VT-3 NA SNUBBER.
 RH-1-008-006-S22K F1.20 2 - - - C - - -
 R51 775SB

753800 TBX-2-2501-H13 F-A VT-3 NA STRUT.
 RH-1-008-007-S22R F1.20 2 - - - C - - -
 R51 775SB

SAFETY INJECTION 4-SI-1-001-2501R-2

754000 TBX-2-2564-H6 F-C VT-3 NA STRUT
 SI-1-001-014-S42R NOTE 1 2 C - - - -
 R77N 814SB

754100 TBX-2-2564-H4 F-C VT-3 NA STRUT
 SI-1-001-015-S42R NOTE 1 2 C - - - -
 R77N 814SB

754300 TBX-2-2564-H5 F-C VT-3 NA STRUT
 SI-1-001-017-S42R NOTE 1 2 C - - - -
 R77N 814SB

754500 TBX-2-2564-H2 F-C VT-3 NA STRUT
 SI-1-001-701-A42R NOTE 1 2 C - - - -
 R203 814AB

COMANCHE PEAK UNIT 1
 INSERVICE INSPECTION PLAN
 CLASS 2 COMPLETED COMPONENTS

SUMMARY EXAMINATION AREA NUMBER IDENTIFICATION	INSPECTION INTERVAL	PLAN STATUS			PRESERVICE YEAR	INSTRUCTIONS
		ASME SEC. XI CATGY NDE ITEM NO METH	FIRST PERIOD	SECOND PERIOD		
			1 2	1 2 3	1 2	**CALIBRATION BLOCK**

SAFETY INJECTION 4-SI-1-001-2501R-2

754600 TBX-2-2564-H12 F-C VT-3 NA STRUT
 SI-1-001-702-S42R NOTE 1 2 C - - - -
 R77N 826SB

754800 TBX-2-2564-H10 F-C VT-3 NA STRUT
 SI-1-001-704-S42R NOTE 1 2 C - - - -
 R77N 822SB

754900 TBX-2-2564-H9 F-C VT-3 NA STRUT
 SI-1-001-705-S42R NOTE 1 2 C - - - -
 R77N 821SB

755000 TBX-2-2564-H8 F-C VT-3 NA STRUT
 SI-1-001-706-S42R NOTE 1 2 C - - - -
 R77N 821SB

SAFETY INJECTION 4-SI-1-008-2501R-2

755100 TBX-2-2564-H16 F-A VT-3 NA STRUT
 SI-1-008-005-S42R F1.20 2 - - - - C
 R77S 821SB

755200 TBX-2-2564-H17 F-A VT-3 NA STRUT
 SI-1-008-006-S42R F1.20 2 - - - - C
 R77S 813SB

755300 TBX-2-2564-H18 F-A VT-3 NA STRUT
 SI-1-008-007-S42R F1.20 2 - - - - C
 R77S 812SB

COMANCHE PEAK UNIT 1
 INSERVICE INSPECTION PLAN
 CLASS 2 COMPLETED COMPONENTS

SUMMARY EXAMINATION AREA NUMBER IDENTIFICATION	INSPECTION INTERVAL		PLAN STATUS			PRESERVICE YEAR	INSTRUCTIONS
	ASME SEC. XI CATGY NDE ITEM NO METH		FIRST PERIOD	SECOND PERIOD	THIRD PERIOD		
			1 2	1 2 3	1 2		**CALIBRATION BLOCK**

SAFETY INJECTION 4-SI-1-008-2501R-2

755400	TBX-2-2564-H14	F-A	VT-3				NA	STRUT
	SI-1-008-008-S42R	F1.20		2 - -	- - -	- C		
	R77S 827SB							

SAFETY INJECTION 24-SI-1-029-151R-2

756200	TBX-2-2580-H28	F-C	VT-3				NA	STRUT
	SI-1-029-002-S32R	NOTE 1		2 - C	- - -	- -		
	R70 803SB							

756300	TBX-2-2580-H20	F-C	VT-3				NA	STRUT
	SI-1-029-017-Y32R	NOTE 1		2 - C	- - -	- -		
	R85D 803YD							

756400	TBX-2-2580-H19	F-C	VT-3				NA	STRUT
	SI-1-029-018-Y32R	NOTE 1		2 - C	- - -	- -		
	R85D 803YD							

756900	TBX-2-2580-H13	F-C	VT-3				NA	SNUBBER
	SI-1-029-027-Y32K	NOTE 1		2 - C	- - -	- -		
	R85D 803YD							

758500	TBX-2-2580-H25	F-B	VT-3				NA	BOX
	SI-1-029-700-S32R	NOTE 1		2 - C	- - -	- -		
	R70 803SB							

SAFETY INJECTION 18-SI-1-030-151R-2

759000	TBX-2-2581-H1	F-A	VT-3				NA	STRUT
	SI-1-030-001-S32R	F1.20		2 - -	- - -	- C		
	R70 802SB							

COMANCHE PEAK UNIT 1
 INSERVICE INSPECTION PLAN
 CLASS 2 COMPLETED COMPONENTS

		INSPECTION INTERVAL		PLAN STATUS			PRESERVICE YEAR	
				FIRST PERIOD	SECOND PERIOD	THIRD PERIOD		
SUMMARY EXAMINATION AREA		ASME						
NUMBER IDENTIFICATION		SEC. XI						
		CATGY NDE		O U T A G E				INSTRUCTIONS
		ITEM NO METH	1 2	1 2 3	1 2		**CALIBRATION BLOCK**	

SAFETY INJECTION 18-SI-1-030-151R-2

759100 TBX-2-2579-H1 F-A VT-3 NA ANCHOR
 SI-1-030-003-S32A F1.20 2 - - - - - C
 R70 802SB

759150 TBX-2-2579-H1 C-C PT NA 3/4" PAD 360
 SI-1-030-003-S32A C3.20 2 - - - - - C
 R70 802SB

SAFETY INJECTION 12-SI-1-031-151R-2

759600 TBX-2-2582-H21 F-A VT-3 NA STRUT
 SI-1-031-020-Y32R F1.20 2 - - - - - C
 R85D 802YD

759700 TBX-2-2582-H20 F-A VT-3 NA SNUBBER
 SI-1-031-022-Y32K F1.20 2 - - - - - C
 R85D 802YD

762000 TBX-2-2583-H1 F-A VT-3 NA STRUT
 SI-1-031-061-S32R F1.20 2 - - - - - C
 R70 802SB

762100 TBX-2-2583-H3 F-A VT-3 NA STRUT
 SI-1-031-063-S32R F1.20 2 - - - - - C
 R70 802SB

762200 TBX-2-2583-H2 F-A VT-3 NA STRUT
 SI-1-031-064-S32R F1.20 2 - - - - - C
 R70 802SB

COMANCHE PEAK UNIT 1
 INSERVICE INSPECTION PLAN
 CLASS 2 COMPLETED COMPONENTS

SUMMARY EXAMINATION AREA NUMBER IDENTIFICATION	INSPECTION INTERVAL		PLAN STATUS			PRESERVICE YEAR	INSTRUCTIONS
	ASME SEC. XI CATGY NDE ITEM NO METH		FIRST PERIOD	SECOND PERIOD	THIRD PERIOD		
			1 2	1 2 3	1 2		**CALIBRATION BLOCK**

SAFETY INJECTION 4-SI-1-039-1501R-2

765600	TBX-2-2568-H28 SI-1-039-026-S32R R66 800SB	F-A VT-3 F1.20	2 - -	- - -	- C	NA	STRUT
765650	TBX-2-2568-H28 SI-1-039-026-S32R R66 800SB	C-C PT C3.20	2 - -	- - -	- C	NA	8-3/4" LUGS.
766100	TBX-2-2568-H23 SI-1-039-031-S42R R77N 816SB	F-A VT-3 F1.20	2 - -	- - -	- C	NA	STRUT
766150	TBX-2-2568-H23 SI-1-039-031-S42R R77N 816SB	C-C PT C3.20	2 - -	- - -	- C	NA	8-3/4" LUGS.
766700	TBX-2-2568-H15 SI-1-039-039-S42R R77N 817SB	F-A VT-3 F1.20	2 - -	- - -	- C	NA	STRUT
766750	TBX-2-2568-H15 SI-1-039-039-S42R R77N 817SB	C-C PT C3.20	2 - -	- - -	- C	NA	6-1" LUGS.

SAFETY INJECTION 4-SI-1-044-1501R-2

767600	TBX-2-2561-H3 SI-1-044-005-S32S R67 795SB	F-A VT-3 F1.20	2 C -	- - -	- -	NA	SPRING
--------	---	-------------------	-------	-------	-----	----	--------

COMANCHE PEAK UNIT 1
 INSERVICE INSPECTION PLAN
 CLASS 2 COMPLETED COMPONENTS

SUMMARY EXAMINATION AREA NUMBER IDENTIFICATION	INSPECTION INTERVAL		PLAN STATUS			PRESERVICE YEAR	INSTRUCTIONS
	ASME SEC. XI CATGY NDE ITEM NO METH		FIRST PERIOD	SECOND PERIOD	THIRD PERIOD		
			1 2	1 2 3	1 2		**CALIBRATION BLOCK**

SAFETY INJECTION 4-SI-1-044-1501R-2

767650 TBX-2-2561-H3 C-C PT NA 4-3/4" LUGS.
 SI-1-044-005-S32S C3.20 2 C - - - -
 R67 795SB

770100 TBX-2-2561-H21 F-C VT-3 NA STRUT
 SI-1-044-039-S42R NOTE 1 2 - C - - -
 R77S 820SB

770150 TBX-2-2561-H21 C-C PT NA 8-3/4" LUGS.
 SI-1-044-039-S42R C3.20 2 - C - - -
 R77S 820SB

SAFETY INJECTION 4-SI-1-051-2501R-2

775300 TBX-2-2560-H7 F-C VT-3 NA SNUBBER
 SI-1-051-015-C42K NOTE 1 2 C - - - -
 R154 820RB

775350 TBX-2-2560-H7 C-C PT NA 8-3/4" LUGS.
 SI-1-051-015-C42K C3.20 2 C - - - -
 R154 820RB

SAFETY INJECTION 2-SI-1-055-2501R-2

777000 TBX-2-2560-H27 F-C VT-3 NA SNUBBER
 SI-1-055-700-C42K NOTE 1 2 C - - - -
 R154 823RB

COMANCHE PEAK UNIT 1
 INSERVICE INSPECTION PLAN
 CLASS 2 COMPLETED COMPONENTS

SUMMARY EXAMINATION AREA NUMBER IDENTIFICATION	INSPECTION INTERVAL		PLAN STATUS			PRESERVICE YEAR	INSTRUCTIONS **CALIBRATION BLOCK**
	ASME SEC. XI CATGY NDE ITEM NO METH		FIRST PERIOD	SECOND PERIOD	THIRD PERIOD		
			1 2	1 2 3	1 2		

SAFETY INJECTION 2-SI-1-055-2501R-2

777200	TBX-2-2560-H22	F-C	VT-3				NA	SNUBBER
	SI-1-055-702-C42K	NOTE 1		2 C -	- - -	- - -		
	R154 820RB							

SAFETY INJECTION 2-SI-1-057-2501R-2

777300	TBX-2-2560-H26	F-C	VT-3				NA	SNUBBER
	SI-1-057-700-C42K	NOTE 1		2 C -	- - -	- - -		
	R32 823RB							

777400	TBX-2-2560-H25	F-C	VT-3				NA	STRUT
	SI-1-057-701-C42R	NOTE 1		2 C -	- - -	- - -		
	R32 823RB							

777500	TBX-2-2560-H24	F-C	VT-3				NA	STRUT
	SI-1-057-702-C42R	NOTE 1		2 C -	- - -	- - -		
	R32 821RB							

SAFETY INJECTION 2-SI-1-068-2501R-2

782200	TBX-2-2566A-H21	F-A	VT-3				NA	SNUBBER
	SI-1-068-714-C42K	F1.20		2 - -	- - -	- C		
	R154 821RB							

SAFETY INJECTION 14-SI-1-071-601R-2

782300	TBX-2-2581-H7	F-A	VT-3				NA	SPRING
	SI-1-071-001-S32S	F1.20		2 - -	- - C	- - -		
	R67 793SB							

COMANCHE PEAK UNIT 1
 INSERVICE INSPECTION PLAN
 CLASS 2 COMPLETED COMPONENTS

SUMMARY EXAMINATION AREA NUMBER IDENTIFICATION	INSPECTION INTERVAL		PLAN STATUS			PRESERVICE YEAR	INSTRUCTIONS
	ASME SEC. XI CATGY NDE ITEM NO METH		FIRST PERIOD	SECOND PERIOD	THIRD PERIOD		
			1 2	1 2 3	1 2		**CALIBRATION BLOCK**
<hr/>							
<u>SAFETY INJECTION 14-SI-1-071-601R-2</u>							
782400	TBX-2-2581-H6	F-A VT-3				NA	SNUBBER
	SI-1-071-003-S32K	F1.20	2 - -	- - -	- C		
	R70 793SB						
<hr/>							
<u>SAFETY INJECTION 16-SI-1-076-601R-2</u>							
783500	TBX-2-2500-H18	F-C VT-3				NA	SNUBBER
	SI-1-076-002-S22K	NOTE 1	2 - -	C - -	- -		
	R65 788SB						
<hr/>							
<u>SAFETY INJECTION 10-SI-1-082-2501R-2</u>							
783900	TBX-2-2533-H1	F-A VT-3				NA	SNUBBER
	SI-1-082-003-C42K	F1.20	2 - -	- - -	C -		
	R31 820RB						
<hr/>							
<u>SAFETY INJECTION 8-SI-1-087-2501R-2</u>							
784100	TBX-2-2533-H6	F-A VT-3				NA	U-STRAP
	SI-1-087-004-C42R	F1.20	2 - -	- C -	- -		
	R154A820RB						
<hr/>							
784150	TBX-2-2533-H6	C-C PT				NA	6-3/4" LUGS.
	SI-1-087-004-C42R	C3.20	2 - -	- C -	- -		
	R154A820RB						
<hr/>							
784200	TBX-2-2533-H8	F-A VT-3				NA	U-STRAP
	SI-1-087-005-C42R	F1.20	2 - -	- C -	- -		
	R154A820RB						

DATE: 07/15/11

COMANCHE PEAK UNIT 1
 INSERVICE INSPECTION PLAN
 CLASS 2 COMPLETED COMPONENTS

PAGE: 133

SUMMARY EXAMINATION AREA NUMBER IDENTIFICATION	INSPECTION INTERVAL		PLAN STATUS			PRESERVICE YEAR	INSTRUCTIONS
	ASME SEC. XI CATGY NDE ITEM NO METH		FIRST PERIOD	SECOND PERIOD	THIRD PERIOD		
			1 2	1 2 3	1 2		**CALIBRATION BLOCK**

SAFETY INJECTION 8-SI-1-087-2501R-2

784250	TBX-2-2533-H8 SI-1-087-005-C42R R154A820RB	C-C PT C3.20	2 - -	- C -	- - -	NA	6-3/4" LUGS.
784300	TBX-2-2533-H11 SI-1-087-006-C42R R154B820RB	F-A VT-3 F1.20	2 - -	- C -	- - -	NA	U-STRAP
784350	TBX-2-2533-H11 SI-1-087-006-C42R R154B820RB	C-C PT C3.20	2 - -	- C -	- - -	NA	6-3/4" LUGS.
784500	TBX-2-2533-H9 SI-1-087-009-C42R R154A820RB	F-A VT-3 F1.20	2 - -	- C -	- - -	NA	U-STRAP
784550	TBX-2-2533-H9 SI-1-087-009-C42R R154A820RB	C-C PT C3.20	2 - -	- C -	- - -	NA	6-3/4" LUGS.
785100	TBX-2-2533-H14 SI-1-087-016-C42K R154B820RB	F-A VT-3 F1.20	2 - -	- C -	- - -	NA	SNUBBER
785150	TBX-2-2533-H14 SI-1-087-016-C42K R154B820RB	C-C PT C3.20	2 - -	- C -	- - -	NA	8-3/4" LUGS.

DATE: 07/15/11

COMANCHE PEAK UNIT 1
 INSERVICE INSPECTION PLAN
 CLASS 2 COMPLETED COMPONENTS

PAGE: 134

SUMMARY EXAMINATION AREA	INSPECTION INTERVAL	PLAN STATUS			PRESERVICE YEAR	INSTRUCTIONS
		FIRST PERIOD	SECOND PERIOD	THIRD PERIOD		
NUMBER IDENTIFICATION	CATGY NDE ITEM NO METH	1 2	1 2 3	1 2		**CALIBRATION BLOCK**

SAFETY INJECTION 8-SI-1-087-2501R-2

785600 TBX-2-2533-H15 F-A VT-3 NA STRUT
 SI-1-087-022-C42R F1.20 2 - - - C - - -
 R154B820RB

SAFETY INJECTION 8-SI-1-088-2501R-2

786000 TBX-2-2534-H6 F-A VT-3 NA SNUBBER
 SI-1-088-009-C42K F1.20 2 - - - - C - - -
 R154C817RB

786050 TBX-2-2534-H6 C-C PT NA 3/4" SADDLE.
 SI-1-088-009-C42K C3.20 2 - - - - C - - -
 R154C817RB

786200 TBX-2-2534-H13 F-A VT-3 NA STRUT
 SI-1-088-013-C42R F1.20 2 - - - - C - - -
 R154 817RB

786250 TBX-2-2534-H13 C-C PT NA 8-1" LUGS.
 SI-1-088-013-C42R C3.20 2 - - - - C - - -
 R154 817RB

SAFETY INJECTION 10-SI-1-095-2501R-2

787500 TBX-2-2530-H26 F-C VT-3 NA STRUT
 SI-1-095-003-S42R NOTE 1 2 - C - - - - -
 R77S 820SB

COMANCHE PEAK UNIT 1
 INSERVICE INSPECTION PLAN
 CLASS 2 COMPLETED COMPONENTS

SUMMARY EXAMINATION AREA NUMBER IDENTIFICATION	INSPECTION INTERVAL	PLAN STATUS			PRESERVICE YEAR	INSTRUCTIONS
		FIRST PERIOD	SECOND PERIOD	THIRD PERIOD		
	ASME SEC. XI	-----				
	CATGY NDE	O U T A G E				
	ITEM NO METH	1 2	1 2 3	1 2		**CALIBRATION BLOCK**

SAFETY INJECTION 10-SI-1-095-2501R-2

787550	TBX-2-2530-H26 SI-1-095-003-S42R R77S 820SB	C-C	PT	2 - C	- - -	- - -	NA	8-1" LUGS.
787700	TBX-2-2535-H6 SI-1-095-005-C42R R154A823RB	F-A	VT-3	2 - -	- - C	- - -	NA	U-STRAP
787750	TBX-2-2535-H6 SI-1-095-005-C42R R154A823RB	C-C	PT	2 - -	- - C	- - -	NA	6-3/4" LUGS.
787900	TBX-2-2535-H16 SI-1-095-009-C42R R154B823RB	F-A	VT-3	2 - -	- - C	- - -	NA	STRUT
787950	TBX-2-2535-H16 SI-1-095-009-C42R R154B823RB	C-C	PT	2 - -	- - C	- - -	NA	6-3/4" LUGS.
788050	TBX-2-2535-H4 SI-1-095-010-C42R R154A823RB	C-C	PT	2 - -	- - C	- - -	NA	2-3/4" SADDLES.
788400	TBX-2-2535-H15 SI-1-095-015-C42R R154B823RB	F-A	VT-3	2 - -	- - C	- - -	NA	STRUT

COMANCHE PEAK UNIT 1
 INSERVICE INSPECTION PLAN
 CLASS 2 COMPLETED COMPONENTS

SUMMARY EXAMINATION AREA NUMBER IDENTIFICATION	INSPECTION INTERVAL		PLAN STATUS			PRESERVICE YEAR	INSTRUCTIONS
	ASME SEC. XI CATGY NDE ITEM NO METH		FIRST PERIOD	SECOND PERIOD	THIRD PERIOD		
			1 2	1 2 3	1 2		**CALIBRATION BLOCK**
<u>SAFETY INJECTION 10-SI-1-095-2501R-2</u>							
788450	TBX-2-2535-H15	C-C PT				NA	8-1" LUGS.
	SI-1-095-015-C42R	C3.20	2 - -	- - C	- -		
	R154 823RB						
<u>SAFETY INJECTION 6-SI-1-171-2501R-2</u>							
788900	TBX-2-2535-H17	F-A VT-3				NA	U-STRAP
	SI-1-171-001-C42R	F1.20	2 - -	- - C	- -		
	R154B823RB						
<u>SAFETY INJECTION 14-SI-1-196-151R-2</u>							
789200	TBX-2-2581-H4	F-A VT-3				NA	STRUT
	SI-1-196-004-S32R	F1.20	2 - -	- - -	- C		
	R70 795SB						
<u>SAFETY INJECTION 14-SI-1-196-151R-2</u>							
789250	TBX-2-2581-H4	C-C PT				NA	8-1 1/2" LUGS
	SI-1-196-004-S32R	C3.40	2 - -	- - -	- C		
	R70 795SB						
<u>SAFETY INJECTION 4-SI-1-300-1501R-2</u>							
789400	TBX-2-2561-H5	F-B VT-3				NA	ANCHOR
	SI-1-300-003-S22A	NOTE 1	2 C -	- - -	- -		
	R67 789SB						

DATE: 07/15/11

COMANCHE PEAK UNIT 1
 INSERVICE INSPECTION PLAN
 CLASS 2 COMPLETED COMPONENTS

PAGE: 137

SUMMARY EXAMINATION AREA NUMBER IDENTIFICATION	INSPECTION INTERVAL		PLAN STATUS						PRESERVICE YEAR	INSTRUCTIONS **CALIBRATION BLOCK**
	ASME SEC. XI CATGY NDE ITEM NO METH		FIRST PERIOD	SECOND PERIOD	THIRD PERIOD	O U T A G E				
			1 2	1 2 3	1 2					

SAFETY INJECTION 4-SI-1-306-2501R-2

790000	TBX-2-2566-H10 SI-1-306-002-C42R R31 817RB	F-B VT-3 NOTE 1	2 C -	- - -	- - -	- - -		NA	U-STRAP
791200	TBX-2-2566-H4 SI-1-306-014-C42K R31 818RB	F-C VT-3 NOTE 1	2 C -	- - -	- - -	- - -		NA	SNUBBER
791300	TBX-2-2566-H3 SI-1-306-015-C42K R31 818RB	F-C VT-3 NOTE 1	2 C -	- - -	- - -	- - -		NA	SNUBBER
791750	TBX-2-2566-H18 SI-1-306-020-C42R R154 817RB	C-C PT C3.20	2 C -	- - -	- - -	- - -		NA	4-3/4" LUGS.
791900	TBX-2-2566-H19 SI-1-306-024-C42K R31 817RB	F-C VT-3 NOTE 1	2 C -	- - -	- - -	- - -		NA	SNUBBER
792300	TBX-2-2566-H20 SI-1-306-030-C42R R154 817RB	F-C VT-3 NOTE 1	2 C -	- - -	- - -	- - -		NA	STRUT
792350	TBX-2-2566-H20 SI-1-306-030-C42R R154 817RB	C-C PT C3.20	2 C -	- - -	- - -	- - -		NA	6-3/4" LUGS.

COMANCHE PEAK UNIT 1
 INSERVICE INSPECTION PLAN
 CLASS 2 COMPLETED COMPONENTS

SUMMARY EXAMINATION AREA NUMBER IDENTIFICATION	INSPECTION INTERVAL ASME SEC. XI CATGY NDE ITEM NO METH	PLAN STATUS			PRESERVICE YEAR	INSTRUCTIONS **CALIBRATION BLOCK**
		FIRST PERIOD	SECOND PERIOD	THIRD PERIOD		
		1 2	1 2 3	1 2		

SAFETY INJECTION 4-SI-1-306-2501R-2

792500	TBX-2-2566-H25	F-B	VT-3			NA	U-STRAP
	SI-1-306-032-C42R	NOTE 1	2 C -	- - -	- - -		
	R154 817RB						
792550	TBX-2-2566-H25	C-C	PT			NA	6-3/4" LUGS.
	SI-1-306-032-C42R	C3.20	2 C -	- - -	- - -		
	R154 817RB						

SAFETY INJECTION 16-SI-1-325-2501R-2

792700	TBX-2-2501-H18	F-C	VT-3			NA	STRUT
	SI-1-325-001-S32R	NOTE 1	2 - -	C - -	- - -		
	R63 803RB						
792800	TBX-2-2501-H17	F-C	VT-3			NA	STRUT
	SI-1-325-002-S32R	NOTE 1	2 - -	C - -	- - -		
	R63 803RB						

SAFETY INJECTION 3-SI-1-335-1501R-2

793000	TBX-2-2562-H12	F-C	VT-3			NA	STRUT
	SI-1-335-003-S22R	NOTE 1	2 C -	- - -	- - -		
	R67 789SB						

SAFETY INJECTION 24-SI-1-901-151R-2

793400	TBX-2-2580-H30	F-C	VT-3			NA	STRUT
	SI-1-901-701-Y32R	NOTE 1	2 - C	- - -	- - -		
	R85D 814YD						

COMANCHE PEAK UNIT 1
 INSERVICE INSPECTION PLAN
 CLASS 2 COMPLETED COMPONENTS

SUMMARY EXAMINATION AREA NUMBER IDENTIFICATION	INSPECTION INTERVAL ASME SEC. XI CATGY NDE ITEM NO METH	PLAN STATUS			PRESERVICE YEAR	INSTRUCTIONS **CALIBRATION BLOCK**
		FIRST PERIOD	SECOND PERIOD	THIRD PERIOD		

<u>RESIDUAL HEAT REMOVAL TBX-RHAHRS-01</u>						
794730	TBX-2-1120-1S2 RHR HX 01 INTERMEDIATE SUPPORTS R69 810SB	F-B VT-3 NOTE 1	2 C -	- - -	NA	DWG. 2323-S1-0654
794760	TBX-2-1120-1S3 RHR HX 01 FOUNDATION SUPPORTS R69 795SB	F-B VT-3 NOTE 1	2 C -	- - -	NA	DWG. 2323-S1-0654
<u>RESIDUAL HEAT REMOVAL TBX-RHAPRH-01</u>						
794865	TBX-2-3100-1S1 RHR PUMP 01 SUPPORT R53 773SB	F-B VT-3 NOTE 1	2 - -	C - -	NA	FEEET. DWG C-8X20WDF86X16D. SUPPORTS 1S1, 1S2, AND 1S3.
<u>SAFETY INJECTION TBX-SIAPSI-02</u>						
794885	TBX-2-3140-2S1 SI PUMP 02 SUPPORT R60 773SB	F-B VT-3 NOTE 1	2 - C	- - -	NA	FEEET. DWG 300-J49738
<u>CHEMICAL & VOLUME CONTROL TBX-CSAPCH-01</u>						
794890	TBX-2-3110-1S1 CENTRIFIGAL CHARGING PUMP 01 SUPPORT R200 810AB	F-B VT-3 NOTE 1	2 - C	- - -	NA	SUPPORT CRADLE. DWG B49745
<u>CONTAINMENT SPRAY CP1-CTAHCS-02</u>						
795000	TBX-2-1180-2S1 CT HX 02 TOP SUPPORTS R68 828SB	F-A VT-3 F1.40	2 - -	- C -	NA	DWG. 2323-S1-0654

COMANCHE PEAK UNIT 1
 INSERVICE INSPECTION PLAN
 CLASS 2 COMPLETED COMPONENTS

SUMMARY EXAMINATION AREA NUMBER IDENTIFICATION	INSPECTION INTERVAL	PLAN STATUS			PRESERVICE YEAR	INSTRUCTIONS
		ASME SEC. XI CATGY NDE ITEM NO METH	FIRST PERIOD	SECOND PERIOD		
			1 2	1 2 3	1 2	**CALIBRATION BLOCK**

CONTAINMENT SPRAY CP1-CTAHC5-02

795030 TBX-2-1180-2S2 F-A VT-3 NA DWG. 2323-S1-0654
 CT HX 02 INTERMEDIATE SUPPORTS F1.40 2 - - - C - - -
 R68 810SB

795060 TBX-2-1180-2S3 F-A VT-3 NA DWG. 2323-S1-0654
 CT HX 02 FOUNDATION SUPPORTS F1.40 2 - - - C - - -
 R68 795SB

CONTAINMENT SPRAY CP1-CTAPCS-01

795070 TBX-2-2576-1PS1 F-B VT-3 NA SUPPORT CRADLE. DWG.
 CT PUMP 01 SUPPORT NOTE 1 2 - - C - - - 15210085/88
 R54 773SB

CHEMICAL & VOLUME CONTROL TBX-CSAHRG-01

795200 TBX-2-1150-1S1 F-A VT-3 NA 3 SUPPORTS, DWG. D-4313
 REGENERATIVE HX 01 SUPPORTS F1.40 2 - - - C - - -
 A09 833RB

AUXILIARY FEEDWATER 4-AF-1-017-1303-2

795504 AF-1-SB-026B-36 R-A UT 83 C-F-2 WELD.
 PIPE TO ELBOW R1.20 2 - - - - C
 R100B861SB

PDI-02

795506 AF-1-SB-026B-41 R-A UT 83 C-F-2 WELD.
 PIPE TO ELBOW R1.20 2 - - - - C
 R100B861SB

PDI-02,

COMANCHE PEAK UNIT 1
INSERVICE INSPECTION PLAN
CLASS 2 COMPLETED COMPONENTS

SUMMARY EXAMINATION AREA NUMBER IDENTIFICATION	INSPECTION INTERVAL		PLAN STATUS			PRESERVICE YEAR	INSTRUCTIONS
	ASME SEC. XI CATGY NDE ITEM NO METH		FIRST PERIOD	SECOND PERIOD	THIRD PERIOD		
			1 2	1 2 3	1 2		**CALIBRATION BLOCK**
<hr/>							
<u>AUXILIARY FEEDWATER 4-AF-1-017-1303-2</u>							
795507 AF-1-SB-026B-42 ELBOW TO PIPE R100B862SB	R-A R1.20	UT	2 - -	- - -	- C	83	C-F-2 WELD. **PDI-02,**
<u>AUXILIARY FEEDWATER 4-AF-1-019-1303-2</u>							
795511 AF-1-SB-029C-2 PIPE TO ELBOW R100D861SB	R-A R1.20	UT	2 - -	- - -	C -	83	C-F-2 WELD. **PDI-02**
795512 AF-1-SB-029C-3B ELBOW TO PIPE R100D861SB	R-A R1.20	UT	2 - -	- - -	C -	83	C-F-2 WELD. **PDI-02**
<u>AUXILIARY FEEDWATER 4-AF-1-020-1303-2</u>							
795517 AF-1-SB-025-39 PIPE TO ELBOW R100A861SB	R-A R1.20	UT	2 - -	- - -	C -	83	C-F-2 WELD. **PDI-02**
<u>AUXILIARY FEEDWATER 4-AF-1-022-2003-2</u>							
795533 AF-1-SB-028-27 PIPE TO ELBOW R100C854SB	R-A R1.20	UT	2 - -	- - -	C -	83	C-F-2 WELD. **PDI-02,**
795534 AF-1-SB-028-28 ELBOW TO PIPE R100C854SB	R-A R1.20	UT	2 - -	- - -	C -	83	C-F-2 WELD. **PDI-02,**

COMANCHE PEAK UNIT 1
 INSERVICE INSPECTION PLAN
 CLASS 2 COMPLETED COMPONENTS

SUMMARY EXAMINATION AREA NUMBER IDENTIFICATION	INSPECTION INTERVAL		PLAN STATUS						PRESERVICE YEAR	INSTRUCTIONS
	ASME	SEC. XI	FIRST PERIOD	SECOND PERIOD	THIRD PERIOD	O U T A G E				
CATGY NDE	ITEM NO	METH	1	2	1	2	3	1	2	**CALIBRATION BLOCK**
<u>AUXILIARY FEEDWATER 4-AF-1-053-2003-2</u>										
795553 AF-1-SB-027B-29 PIPE TO TEE R100C861SB	R-A	UT	2	-	-	-	-	C	-	83 C-F-2 WELD. **PDI-02,**
<u>AUXILIARY FEEDWATER 4-AF-1-055-2003-2</u>										
795563 AF-1-SB-025-38 TEE TO PIPE R100A861SB	R-A	UT	2	-	-	-	-	C	-	83 C-F-2 WELD. **PDI-02**
<u>AUXILIARY FEEDWATER 4-AF-1-018-1303-2</u>										
795564 AF-1-SB-027B-32 PIPE TO ELBOW R100C861SB	R-A	UT	2	-	-	-	-	C	-	83 C-F-2 WELD. **PDI-02,**
795570 AF-1-SB-027B-53A PIPE TO ELBOW R100C861SB	R-A	UT	2	-	-	-	-	-	C	83 C-F-2 WELD. **PDI-02**
795571 AF-1-SB-027B-54 ELBOW TO PIPE R100C862SB	R-A	UT	2	-	-	-	-	C	-	83 C-F-2 WELD. **PDI-02**

COMANCHE PEAK UNIT 1
 INSERVICE INSPECTION PLAN
 CLASS 3 COMPLETED COMPONENTS

INSPECTION INTERVAL		PLAN STATUS			PRESERVICE YEAR	INSTRUCTIONS
		FIRST PERIOD	SECOND PERIOD	THIRD PERIOD		
ASME						
SEC. XI		-----				
CATGY NDE		- - - - - O U T A G E - - - - -				
SUMMARY EXAMINATION AREA	ITEM NO METH	1 2	1 2 3	1 2		**CALIBRATION BLOCK**
NUMBER IDENTIFICATION						

AUXILIARY FEEDWATER 10-AF-1-001-152-3

810400	AF-1-SB-006-H1 AF-1-001-017-S33K R74 798SB	F-A	VT-3	2 - -	- C - - -	NA	SNUBBER
810450	AF-1-SB-006-H1-WA AF-1-001-017-S33K R74 798SB	D-A	VT-1	2 - -	- C - - -	NA	2-6" SCH 40 STANCHIONS
810600	AF-1-YD-002-H1 AF-1-001-019-Y33R R85D 800YD	F-A	VT-3	2 - -	- - - - C	NA	STRUT
810800	AF-1-YD-002-H2 AF-1-001-021-Y33K R85D 800YD	F-A	VT-3	2 - -	- - - - C	NA	SNUBBER
810850	AF-1-YD-002-H2-WA AF-1-001-021-Y33K R85D 800YD	D-A	VT-1	2 - -	- - - - C	NA	2-8" SCH 40 STANCHION
810900	AF-1-YD-002-H3 AF-1-001-023-Y33R R85D 800YD	F-A	VT-3	2 - -	- - - - C	NA	STRUT
811000	AF-1-YD-002-H4 AF-1-001-024-Y33R R85D 800YD	F-A	VT-3	2 - -	- - - - C	NA	STRUT

COMANCHE PEAK UNIT 1
INSERVICE INSPECTION PLAN
CLASS 3 COMPLETED COMPONENTS

SUMMARY EXAMINATION AREA NUMBER IDENTIFICATION	INSPECTION INTERVAL		PLAN STATUS						PRESERVICE YEAR	INSTRUCTIONS **CALIBRATION BLOCK**
	ASME SEC. XI CATGY NDE ITEM NO METH		FIRST PERIOD	SECOND PERIOD	THIRD PERIOD	O U T A G E				
			1 2	1 2 3	1 2					

AUXILARY FEEDWATER 10-AF-1-002-152-3

813700	AF-1-YD-003-H1 AF-1-002-033-Y33K R85D 800YD	F-A VT-3 F1.30	2 - -	- - -	- C	NA	SNUBBER
813750	AF-1-YD-003-H1-WA AF-1-002-033-Y33K R85D 800YD	D-A VT-1 D1.20	2 - -	- - -	- C	NA	2-3/4" THK PADS
813800	AF-1-YD-003-H2 AF-1-002-034-Y33R R85D 800YD	F-A VT-3 F1.30	2 - -	- - -	- C	NA	STRUT
813850	AF-1-YD-003-H2-WA AF-1-002-034-Y33R R85D 800YD	D-A VT-1 D1.20	2 - -	- - -	- C	NA	6-1"X3" PIPE LUGS

AUXILARY FEEDWATER 6-AF-1-003-152-3

815100	AF-1-SB-003-H1 AF-1-003-006-S33A R72 798SB	F-B VT-3 NOTE 1	2 - -	C - -	- - -	NA	ANCHOR
815150	AF-1-SB-003-H1-WA AF-1-003-006-S33A R72 798SB	D-A VT-3 D1.20	2 - -	C - -	- - -	NA	1/2" THK PAD 360. EXAM COMPLETED PRIOR TO ASME CODE YEAR UPDATE.

AUXILARY FEEDWATER 6-AF-1-004-152-3

815700	AF-1-SB-001-H1 AF-1-004-005-S33A R73 799SB	F-B VT-3 NOTE 1	2 - -	C - -	- - -	NA	ANCHOR
--------	--	--------------------	-------	-------	-------	----	--------

COMANCHE PEAK UNIT 1
 INSERVICE INSPECTION PLAN
 CLASS 3 COMPLETED COMPONENTS

SUMMARY EXAMINATION AREA NUMBER IDENTIFICATION	INSPECTION INTERVAL		PLAN STATUS			PRESERVICE YEAR	INSTRUCTIONS
	ASME SEC. XI CATGY NDE ITEM NO METH		FIRST PERIOD	SECOND PERIOD	THIRD PERIOD		
			1 2	1 2 3	1 2		**CALIBRATION BLOCK**
<u>AUXILARY FEEDWATER 6-AF-1-004-152-3</u>							
815750 AF-1-SB-001-H1-WA	D-A	VT-3				NA	1" THK PAD 360. EXAM COMPLETED
AF-1-004-005-S33A	D1.20		2 - -	C - -	- - -		PRIOR TO ASME CODE YEAR
R73 799SB							UPDATE.
<u>AUXILARY FEEDWATER 8-AF-1-006-152-3</u>							
816800 AF-1-SB-004-H1	F-A	VT-3				NA	ANCHOR
AF-1-006-013-S33A	F1.30		2 - -	- C -	- - -		
R74 799SB							
816850 AF-1-SB-004-H1-WA	D-A	VT-1				NA	1/2" THK PAD 360
AF-1-006-013-S33A	D1.20		2 - -	- C -	- - -		
R74 799SB							
817000 AF-1-SB-004-H2	F-A	VT-3				NA	SNUBBER
AF-1-006-701-S33K	F1.30		2 - -	- C -	- - -		
R74 801SB							
817100 AF-1-SB-004-H3	F-A	VT-3				NA	STRUT
AF-1-006-702-S33R	F1.30		2 - -	- C -	- - -		
R74 801SB							
817150 AF-1-SB-004-H3-WA	D-A	VT-1				NA	1-4" SCH 40 STANCHION
AF-1-006-702-S33R	D1.20		2 - -	- C -	- - -		
R74 801SB							
<u>AUXILARY FEEDWATER 6-AF-1-007-152-3</u>							
817700 AF-1-SB-001-H2	F-C	VT-3				NA	STRUT
AF-1-007-701-S33R	NOTE 1		2 - -	C - -	- - -		
R73 792SB							

COMANCHE PEAK UNIT 1
 INSERVICE INSPECTION PLAN
 CLASS 3 COMPLETED COMPONENTS

		INSPECTION INTERVAL		PLAN STATUS			PRESERVICE YEAR	
		ASME		FIRST PERIOD	SECOND PERIOD	THIRD PERIOD		
		SEC. XI		-----				
SUMMARY EXAMINATION AREA		CATGY	NDE	O U T A G E				INSTRUCTIONS
NUMBER	IDENTIFICATION	ITEM NO	METH	1	2	3	1	2

<u>AUXILIARY FEEDWATER 6-AF-1-007-152-3</u>								
817750	AF-1-SB-001-H2-WA	D-A	VT-3				NA	
	AF-1-007-701-S33R	D1.20		2	-	-	C	-
	R73 792SB							
1-4" SCH 40 STANCHION. EXAM COMPLETED PRIOR TO ASME CODE YEAR UPDATE.								
<u>AUXILIARY FEEDWATER 6-AF-1-008-152-3</u>								
817800	AF-1-SB-003-H2	F-C	VT-3				NA	
	AF-1-008-001-S33R	NOTE 1		2	-	-	C	-
	R72 792SB							
STRUT								
817850	AF-1-SB-003-H2-WA	D-A	VT-3				NA	
	AF-1-008-001-S33R	D1.20		2	-	-	C	-
	R72 792SB							
1-4" SCH 40 STANCHION. EXAM COMPLETED PRIOR TO ASME CODE YEAR UPDATE.								
<u>AUXILIARY FEEDWATER 6-AF-1-009-2002-3</u>								
818600	AF-1-SB-010-H1	F-A	VT-3				NA	
	AF-1-009-019-S33K	F1.30		2	-	-	-	C
	R73 797SB							
SNUBBER								
819100	AF-1-SB-010-H2	F-A	VT-3				NA	
	AF-1-009-025-S33A	F1.30		2	-	-	-	C
	R73 805SB							
ANCHOR								
819150	AF-1-SB-010-H2-WA	D-A	VT-1				NA	
	AF-1-009-025-S33A	D1.20		2	-	-	-	C
	R73 805SB							
3/4" THK PAD 360								

COMANCHE PEAK UNIT 1
 INSERVICE INSPECTION PLAN
 CLASS 3 COMPLETED COMPONENTS

SUMMARY EXAMINATION AREA NUMBER IDENTIFICATION	INSPECTION INTERVAL		PLAN STATUS			PRESERVICE YEAR	INSTRUCTIONS
	ASME	SEC. XI	FIRST PERIOD	SECOND PERIOD	THIRD PERIOD		
	CATGY	NDE	O U T A G E				
	ITEM NO	METH	1 2	1 2 3	1 2		**CALIBRATION BLOCK**

AUXILIARY FEEDWATER 6-AF-1-009-2002-3

819300	AF-1-SB-010-H3	F-A	VT-3				NA	STRUT
	AF-1-009-027-S33R	F1.30	2 - -	- - C	- -			
	R73 805SB							
819350	AF-1-SB-010-H3-WA	D-A	VT-1				NA	1-3" SCH 40 STANCHION
	AF-1-009-027-S33R	D1.20	2 - -	- - C	- -			
	R73 805SB							

AUXILIARY FEEDWATER 6-AF-1-010-2002-3

819400	AF-1-SB-008-H1	F-A	VT-3				NA	ANCHOR
	AF-1-010-004-S33A	F1.30	2 - -	- - C	- -			
	R72 799SB							
819450	AF-1-SB-008-H1-WA	D-A	VT-1				NA	3/4" THK PAD 180
	AF-1-010-004-S33A	D1.20	2 - -	- - C	- -			
	R72 799SB							

AUXILIARY FEEDWATER 8-AF-1-011-2002-3

820400	AF-1-SB-014-H1	F-C	VT-3				NA	STRUT
	AF-1-011-011-S33R	NOTE 1	2 - C	- - -	- - -			
	R74 805SB							
820450	AF-1-SB-014-H1-WA	D-A	VT-3				NA	2-4" SCH 40 STANCHION. EXAM COMPLETED PRIOR TO ASME CODE YEAR UPDATE.
	AF-1-011-011-S33R	D1.20	2 - C	- - -	- - -			
	R74 805SB							

COMANCHE PEAK UNIT 1
 INSERVICE INSPECTION PLAN
 CLASS 3 COMPLETED COMPONENTS

SUMMARY EXAMINATION AREA NUMBER IDENTIFICATION	INSPECTION INTERVAL		PLAN STATUS			PRESERVICE YEAR	INSTRUCTIONS
	ASME SEC. XI CATGY NDE ITEM NO METH		FIRST PERIOD	SECOND PERIOD	THIRD PERIOD		
			O U T A G E				**CALIBRATION BLOCK**
			1 2	1 2 3	1 2		

AUXILIARY FEEDWATER 6-AF-1-012-152-3

820600	AF-1-SB-001-H3	F-C	VT-3				NA	SPRING
	AF-1-012-001-S33S	NOTE 1		2 - -	C - -	- -		
	R73 795SB							
820650	AF-1-SB-001-H3-WA	D-A	VT-3				NA	4-1.25"X1.25" PIPE LUGS. EXAM
	AF-1-012-001-S33S	D1.40		2 - -	C - -	- -		COMPLETED PRIOR TO ASME CODE
	R73 795SB							YEAR UPDATE.

AUXILIARY FEEDWATER 6-AF-1-025-2002-3

821100	AF-1-SB-014-H2	F-C	VT-3				NA	SPRING
	AF-1-025-700-S33S	NOTE 1		2 - C	- - -	- -		
	R74 805SB							
821150	AF-1-SB-014-H2-WA	D-A	VT-3				NA	1-4" SCH 80 STANCHION. EXAM
	AF-1-025-700-S33S	D1.40		2 - C	- - -	- -		COMPLETED PRIOR TO ASME CODE
	R74 805SB							YEAR UPDATE.

AUXILIARY FEEDWATER 3-AF-1-030-2002-3

823100	AF-1-SB-013-H1	F-A	VT-3				NA	STRUT
	AF-1-030-005-S33R	F1.30		2 - -	- - C	- -		
	R73 792SB							
823150	AF-1-SB-013-H1-WA	D-A	VT-1				NA	1-1.5" SCH 40 STANCHION
	AF-1-030-005-S33R	D1.20		2 - -	- - C	- -		
	R73 792SB							

COMANCHE PEAK UNIT 1
 INSERVICE INSPECTION PLAN
 CLASS 3 COMPLETED COMPONENTS

INSPECTION INTERVAL		PLAN STATUS			PRESERVICE YEAR	INSTRUCTIONS
		FIRST PERIOD	SECOND PERIOD	THIRD PERIOD		
ASME SEC. XI		-----				
CATGY NDE		O U T A G E				
SUMMARY EXAMINATION AREA	ITEM NO METH	1 2	1 2 3	1 2		**CALIBRATION BLOCK**
NUMBER IDENTIFICATION						

AUXILIARY FEEDWATER 8-AF-1-035-152-3

824600	AF-1-SB-035-H1	F-A	VT-3			NA	ANCHOR
	AF-1-035-023-S33A	F1.30	2 - -	- - -	- C		
	R74 802SB						
824650	AF-1-SB-035-H1-WA	D-A	VT-1			NA	1/2" THK PAD 360
	AF-1-035-023-S33A	D1.20	.2 - -	- - -	- C		
	R74 802SB						
824700	AF-1-SB-035-H2	F-A	VT-3			NA	STRUT
	AF-1-035-026-S33R	F1.30	2 - -	- - -	- C		
	R74 802SB						
824750	AF-1-SB-035-H2-WA	D-A	VT-1			NA	2-6" SCH 40 STANCHION
	AF-1-035-026-S33R	D1.20	2 - -	- - -	- C		
	R74 802SB						
824800	AF-1-SB-007-H1	F-A	VT-3			NA	ANCHOR
	AF-1-035-029-S33A	F1.30	2 - -	- C -	- -		
	R74 805SB						
824850	AF-1-SB-007-H1-WA	D-A	VT-1			NA	1/2" THK PAD 360
	AF-1-035-029-S33A	D1.20	2 - -	- C -	- -		
	R74 805SB						

AUXILIARY FEEDWATER 3-AF-1-038-2002-3

827400	AF-1-SB-012-H1	F-A	VT-3			NA	U-BOLT
	AF-1-038-004-S33R	F1.30	2 - -	- - C	- -		
	R72 792SB						

COMANCHE PEAK UNIT 1
 INSERVICE INSPECTION PLAN
 CLASS 3 COMPLETED COMPONENTS

SUMMARY EXAMINATION AREA NUMBER IDENTIFICATION	INSPECTION INTERVAL		PLAN STATUS			PRESERVICE YEAR	INSTRUCTIONS
	ASME	SEC. XI	FIRST PERIOD	SECOND PERIOD	THIRD PERIOD		
	CATGY	NDE	O U T A G E				
	ITEM NO	METH	1 2	1 2 3	1 2		**CALIBRATION BLOCK**

AUXILARY FEEDWATER 6-AF-1-058-152-3

828400	AF-1-SB-003-H3	F-C	VT-3				NA	STRUT
	AF-1-058-001-S33R	NOTE 1		2 - -	C - -	- -		
	R72 801SB							
828450	AF-1-SB-003-H3-WA	D-A	VT-3				NA	1-4" SCH 40 STANCHION. EXAM
	AF-1-058-001-S33R	D1.20		2 - -	C - -	- -		COMPLETED PRIOR TO ASME CODE
	R72 801SB							YEAR UPDATE.

AUXILARY FEEDWATER 4-AF-1-061-2002-3

829200	AF-1-SB-034-H1	F-A	VT-3				NA	ANCHOR
	AF-1-061-001-S33A	F1.30		2 - -	- - -	- C		
	R72 795SB							
829250	AF-1-SB-034-H1-WA	D-A	VT-1				NA	3/4" THK PAD 360
	AF-1-061-001-S33A	D1.20		2 - -	- - -	- C		
	R72 795SB							

AUXILARY FEEDWATER 3-AF-1-072-2002-3

829800	AF-1-SB-018-H1	F-A	VT-3				NA	SNUBBER
	AF-1-072-001-S33K	F1.30		2 - -	- - -	- C		
	R74 792SB							

AUXILARY FEEDWATER 3-AF-1-076-2003-3

830300	AF-1-SB-016-H1	F-C	VT-3				NA	STRUT
	AF-1-076-002-S33R	NOTE 1		2 C -	- - -	- -		
	R74 792SB							

COMANCHE PEAK UNIT 1
 INSERVICE INSPECTION PLAN
 CLASS 3 COMPLETED COMPONENTS

SUMMARY EXAMINATION AREA NUMBER IDENTIFICATION	INSPECTION INTERVAL ASME SEC. XI CATGY NDE ITEM NO METH	PLAN STATUS			PRESERVICE YEAR	INSTRUCTIONS
		FIRST PERIOD	SECOND PERIOD	THIRD PERIOD		
		1 2	1 2 3	1 2		**CALIBRATION BLOCK**

AUXILIARY FEEDWATER 3-AF-1-076-2003-3

830350	AF-1-SB-016-H13-WA	D-A	VT-3			NA	2-2" SCH40 STANCHION. EXAM
	AF-1-076-002-S33R	D1.20	2 C -	- - -	- - -		COMPLETED PRIOR TO ASME CODE
	R74 792SB						YEAR UPDATE.

AUXILIARY FEEDWATER 3-AF-1-078-2003-3

830700	AF-1-SB-017-H1	F-A	VT-3			NA	STRUT
	AF-1-078-002-S33R	F1.30	2 - -	- - -	- C		
	R74 792SB						

830750	AF-1-SB-017-H1-WA	D-A	VT-1			NA	1-2.5" SCH40 STANCHION
	AF-1-078-002-S33R	D1.20	2 - -	- - -	- C		
	R74 792SB						

AUXILIARY FEEDWATER 10-AF-1-084-152-3

831200	AF-1-SB-005-H1	F-A	VT-3			NA	ANCHOR
	AF-1-084-001-S33A	F1.30	2 - -	- C -	- - -		
	R70 792SB						

831250	AF-1-SB-005-H1-WA	D-A	VT-1			NA	1/2" THK PAD 360
	AF-1-084-001-S33A	D1.20	2 - -	- C -	- - -		
	R70 792SB						

AUXILIARY FEEDWATER 6-AF-1-088-2002-3

831300	AF-1-SB-009-H1	F-A	VT-3			NA	BOX
	AF-1-088-002-S33R	F1.30	2 - -	- - C	- - -		
	R72 800SB						

COMANCHE PEAK UNIT 1
 INSERVICE INSPECTION PLAN
 CLASS 3 COMPLETED COMPONENTS

INSPECTION INTERVAL		PLAN STATUS			PRESERVICE YEAR		
		FIRST PERIOD	SECOND PERIOD	THIRD PERIOD			
ASME		-----	-----	-----			
SEC. XI		-----	-----	-----			
SUMMARY EXAMINATION AREA		CATGY	NDE	O U T A G E		INSTRUCTIONS	
NUMBER	IDENTIFICATION	ITEM NO	METH	1 2	1 2 3	1 2	**CALIBRATION BLOCK**

<u>AUXILARY FEEDWATER 6-AF-1-088-2002-3</u>							
831350	AF-1-SB-009-H1-WA	D-A	VT-1				NA 8-1.25X1.25 PIPE LUGS
	AF-1-088-002-S33R	D1.20		2 - -	- - C	- -	
	R72 800SB						
<u>AUXILARY FEEDWATER 4-AF-1-096-2003-3</u>							
832000	AF-1-SB-016-H2	F-C	VT-3				NA STRUT
	AF-1-096-006-S33R	NOTE 1		2 C -	- - -	- -	
	R74 798SB						
832100	AF-1-SB-016-H3	F-C	VT-3				NA STRUT
	AF-1-096-007-S33R	NOTE 1		2 C -	- - -	- -	
	R74 798SB						
832300	AF-1-SB-016-H4	F-C	VT-3				NA STRUT
	AF-1-096-010-S33K	NOTE 1		2 C -	- - -	- -	
	R82 809SB						
832400	AF-1-SB-016-H5	F-B	VT-3				NA U-STRAP
	AF-1-096-012-S33R	NOTE 1		2 C -	- - -	- -	
	R82 809SB						
832450	AF-1-SB-016-H5-WA	D-A	VT-3				NA LUGS
	AF-1-096-012-S33R	D1.20		2 C -	- - -	- -	
	R82 809SB						
832500	AF-1-SB-016-H6	F-C	VT-3				NA STRUT
	AF-1-096-013-S33K	NOTE 1		2 C -	- - -	- -	
	R82 809SB						

COMANCHE PEAK UNIT 1
 INSERVICE INSPECTION PLAN
 CLASS 3 COMPLETED COMPONENTS

INSPECTION INTERVAL		PLAN STATUS			PRESERVICE YEAR
		FIRST PERIOD	SECOND PERIOD	THIRD PERIOD	
ASME SEC. XI		-----			
CATGY NDE		O U T A G E			INSTRUCTIONS
ITEM NO METH		1 2	1 2 3	1 2	**CALIBRATION BLOCK**

AUXILIARY FEEDWATER 4-AF-1-096-2003-3

832600	AF-1-SB-016-H6-WA AF-1-096-013-S33K R82 809SB	D-A	VT-3					NA	3/8" THK PAD 360
832700	AF-1-SB-016-H8 AF-1-096-014-S33R R82 809SB	F-C	VT-3					NA	STRUT
832800	AF-1-SB-016-H7 AF-1-096-015-S33K R82 809SB	F-C	VT-3					NA	STRUT
832900	AF-1-SB-016-H9 AF-1-096-016-S33R R82 809SB	F-C	VT-3					NA	STRUT
833100	AF-1-SB-016-H10 AF-1-096-018-S33K R82 809SB	F-C	VT-3					NA	STRUT
833300	AF-1-SB-016-H11 AF-1-096-021-S33K R82 809SB	F-C	VT-3					NA	STRUT
834100	AF-1-SB-016-H12 AF-1-096-030-S33A R74 805SB	F-B	VT-3					NA	ANCHOR

COMANCHE PEAK UNIT 1
INSERVICE INSPECTION PLAN
CLASS 3 COMPLETED COMPONENTS

SUMMARY EXAMINATION AREA NUMBER IDENTIFICATION	INSPECTION INTERVAL		PLAN STATUS			PRESERVICE YEAR	INSTRUCTIONS
	ASME SEC. XI CATGY NDE ITEM NO METH		FIRST PERIOD	SECOND PERIOD	THIRD PERIOD		
			1 2	1 2 3	1 2		**CALIBRATION BLOCK**
<u>AUXILIARY FEEDWATER 4-AF-1-096-2003-3</u>							
834150 AF-1-SB-016-H12-WA AF-1-096-030-S33A R74 805SB	D-A	VT-3	2 C -	- - -	- -	NA	5" sch 120 PAD 180. EXAM COMPLETED PRIOR TO ASME CODE YEAR UPDATE.
834800 AF-1-SB-024A-H2 AF-1-096-041-S43R R78 829SB	F-A	VT-3	2 - -	- - -	- C	NA	STRUT
834850 AF-1-SB-024A-H2-WA AF-1-096-041-S43R R78 829SB	D-A	VT-1	2 - -	- - -	- C	NA	2-3" SCH 40 STANCHION
835450 AF-1-SB-024A-H1-WA AF-1-096-049-S53R R94 848SB	D-A	VT-1	2 - -	- - -	- C	NA	8-1"X1" PIPE LUGS
835475 AF-1-SB-024A-H1 AF-1-096-049-S53R R100A853SB	F-A	VT-3	2 - -	- - -	- C	NA	
835600 AF-1-SB-024B-H1 AF-1-096-052-S63R R100A853SB	F-A	VT-3	2 - -	- - -	- C	NA	BOX
835650 AF-1-SB-024B-H1-WA AF-1-096-052-S63R R100A853SB	D-A	VT-1	2 - -	- - -	- C	NA	8-3/4"X2" PIPE LUGS

COMANCHE PEAK UNIT 1
 INSERVICE INSPECTION PLAN
 CLASS 3 COMPLETED COMPONENTS

SUMMARY EXAMINATION AREA NUMBER IDENTIFICATION	INSPECTION INTERVAL		PLAN STATUS			PRESERVICE YEAR	INSTRUCTIONS
	ASME SEC. XI CATGY NDE ITEM NO METH		FIRST PERIOD	SECOND PERIOD	THIRD PERIOD		
			1 2	1 2 3	1 2		**CALIBRATION BLOCK**

AUXILIARY FEEDWATER 4-AF-1-097-2003-3

836700	AF-1-SB-021-H1 AF-1-097-007-S33A R82 808SB	F-A VT-3 F1.30	2 - -	- - -	- C	NA	ANCHOR
836750	AF-1-SB-021-H1-WA AF-1-097-007-S33A R82 808SB	D-A VT-1 D1.20	2 - -	- - -	- C	NA	5" SCH 160 PAD 130
837600	AF-1-SB-033-H1 AF-1-097-027-S33R R72 794SB	F-A VT-3 F1.30	2 - -	- - -	- C	NA	U-BOLT
839100	AF-1-SB-026A-H1 AF-1-097-043-S63R R100A854SB	F-A VT-3 F1.30	2 - -	- - -	- C	NA	STRUT
839150	AF-1-SB-026A-H1-WA AF-1-097-043-S63R R100A854SB	D-A VT-1 D1.20	2 - -	- - -	- C	NA	2-3" SCH 40 STANCHION
839200	AF-1-SB-026A-H2 AF-1-097-044-S53R R94 848SB	F-A VT-3 F1.30	2 - -	- - -	- C	NA	STRUT
839250	AF-1-SB-026A-H2-WA AF-1-097-044-S53R R94 848SB	D-A VT-1 D1.20	2 - -	- - -	- C	NA	2-1.5" SCH 40 STANCHION

COMANCHE PEAK UNIT 1
 INSERVICE INSPECTION PLAN
 CLASS 3 COMPLETED COMPONENTS

SUMMARY EXAMINATION AREA NUMBER IDENTIFICATION	INSPECTION INTERVAL		PLAN STATUS			PRESERVICE YEAR	INSTRUCTIONS
	CATGY	NDE	FIRST PERIOD	SECOND PERIOD	THIRD PERIOD		
			1 2	1 2 3	1 2		**CALIBRATION BLOCK**

AUXILARY FEEDWATER 4-AF-1-097-2003-3

839500	AF-1-SB-026A-H3	F-A	VT-3				NA	BOX
	AF-1-097-048-S43R	F1.30	2 - -	- - -	- - -	- C		
	R68 827SB							
839550	AF-1-SB-026A-H3-WA	D-A	VT-1				NA	1-2" SCH 40 STANCHION
	AF-1-097-048-S43R	D1.20	2 - -	- - -	- - -	- C		
	R68 827SB							

AUXILARY FEEDWATER 4-AF-1-098-2003-3

842600	AF-1-SB-017-H2	F-A	VT-3				NA	SNUBBER
	AF-1-098-030-S33K	F1.30	2 - -	- - -	- - -	- C		
	R74 808SB							
842650	AF-1-SB-017-H2-WA	D-A	VT-1				NA	2-2" SCH 40 STANCHION
	AF-1-098-030-S33K	D1.20	2 - -	- - -	- - -	- C		
	R74 808SB							
842900	AF-1-SB-017-H3	F-A	VT-3				NA	SPRING
	AF-1-098-034-S33S	F1.30	2 - -	- - -	- - -	- C		
	R74 798SB							
843200	AF-1-SB-017-H4	F-A	VT-3				NA	ANCHOR
	AF-1-098-039-S33A	F1.30	2 - -	- - -	- - -	- C		
	R82 809SB							
843250	AF-1-SB-017-H4-WA	D-A	VT-1				NA	1-3/4" THK PAD
	AF-1-098-039-S33A	D1.20	2 - -	- - -	- - -	- C		
	R82 809SB							

COMANCHE PEAK UNIT 1
 INSERVICE INSPECTION PLAN
 CLASS 3 COMPLETED COMPONENTS

SUMMARY EXAMINATION AREA NUMBER IDENTIFICATION	INSPECTION INTERVAL		PLAN STATUS			PRESERVICE YEAR	INSTRUCTIONS
	CATGY	NDE	FIRST PERIOD	SECOND PERIOD	THIRD PERIOD		
	ASME	SEC. XI					
			O U T A G E				
	ITEM NO	METH	1 2	1 2 3	1 2		**CALIBRATION BLOCK**

AUXILARY FEEDWATER 4-AF-1-099-2003-3

845400	AF-1-SB-027A-H1	F-A	VT-3				NA	STRUT
	AF-1-099-029-S43R	F1.30		2 - -	- - -	- C		
	R69 809SB							
845600	AF-1-SB-027A-H2	F-A	VT-3				NA	STRUT
	AF-1-099-031-S43R	F1.30		2 - -	- - -	- C		
	R69 822SB							
845700	AF-1-SB-027A-H3	F-A	VT-3				NA	STRUT
	AF-1-099-033-S43R	F1.30		2 - -	- - -	- C		
	R69 828SB							
846400	AF-1-SB-027A-H4	F-A	VT-3				NA	STRUT
	AF-1-099-041-S53R	F1.30		2 - -	- - -	- C		
	R94 846SB							
846450	AF-1-SB-027A-H4-WA	D-A	VT-1				NA	6-3/4"x2" PIPE LUGS
	AF-1-099-041-S53R	D1.20		2 - -	- - -	- C		
	R94 846SB							

AUXILARY FEEDWATER 4-AF-1-100-2003-3

849500	AF-1-SB-018-H2	F-A	VT-3				NA	ANCHOR
	AF-1-100-021-S33A	F1.30		2 - -	- - -	- C		
	R82 809SB							
849550	AF-1-SB-018-H2-WA	D-A	VT-1				NA	3/4" THK PAD 180
	AF-1-100-021-S33A	D1.20		2 - -	- - -	- C		
	R82 809SB							

COMANCHE PEAK UNIT 1
 INSERVICE INSPECTION PLAN
 CLASS 3 COMPLETED COMPONENTS

SUMMARY EXAMINATION AREA NUMBER IDENTIFICATION	INSPECTION INTERVAL		PLAN STATUS			PRESERVICE YEAR	INSTRUCTIONS
	CATGY	NDE	FIRST PERIOD	SECOND PERIOD	THIRD PERIOD		
			1 2	1 2 3	1 2		**CALIBRATION BLOCK**

AUXILARY FEEDWATER 4-AF-1-101-2003-3

851800	AF-1-SB-032-H1	F-A	VT-3				NA	ANCHOR
	AF-1-101-023-S33A	F1.30		2 - -	- - -	- C		
	R73 792SB							
851850	AF-1-SB-032-H1-WA	D-A	VT-1				NA	2-5" SCH 160 PAD 130
	AF-1-101-023-S33A	D1.20		2 - -	- - -	- C		
	R73 792SB							

AUXILARY FEEDWATER 4-AF-1-102-2003-3

853100	AF-1-SB-023-H1	F-A	VT-3				NA	STRUT
	AF-1-102-002-S43R	F1.30		2 - -	- - -	- C		
	R68 814SB							
853150	AF-1-SB-023-H1-WA	D-A	VT-1				NA	1-2" SCH 40 STANCHION
	AF-1-102-002-S43R	D1.20		2 - -	- - -	- C		
	R68 814SB							
854500	AF-1-SB-015-H1	F-B	VT-3				NA	BOX
	AF-1-102-017-S33R	NOTE 1		2 - C	- - -	- -		
	R82 809SB							
854550	AF-1-SB-015-H1-WA	D-A	VT-3				NA	8-1"X1" PIPE LUG. EXAM COMPLETED PRIOR TO ASME CODE YEAR UPDATE.
	AF-1-102-017-S33R	D1.20		2 - C	- - -	- -		
	R82 809SB							
854700	AF-1-SB-015-H2	F-B	VT-3				NA	BOX
	AF-1-102-021-S33A	NOTE 1		2 - C	- - -	- -		
	R74 802SB							

COMANCHE PEAK UNIT 1
 INSERVICE INSPECTION PLAN
 CLASS 3 COMPLETED COMPONENTS

SUMMARY EXAMINATION AREA NUMBER IDENTIFICATION	INSPECTION INTERVAL ASME SEC. XI CATGY NDE ITEM NO METH	PLAN STATUS			PRESERVICE YEAR
		FIRST PERIOD	SECOND PERIOD	THIRD PERIOD	
		O U T A G E			INSTRUCTIONS
		1 2	1 2 3	1 2	**CALIBRATION BLOCK**

AUXILARY FEEDWATER 4-AF-1-102-2003-3

854750 AF-1-SB-015-H2-WA D-A VT-3 NA 5" SCH 160 PAD 289. EXAM
 AF-1-102-021-S33A D1.20 2 - C - - - - - COMPLETED PRIOR TO ASME CODE
 R74 802SB YEAR UPDATE.

856100 AF-1-SB-023-H2 F-A VT-3 NA STRUT
 AF-1-102-035-S53R F1.30 2 - - - - - C
 R89 840SB

856150 AF-1-SB-023-H2-WA D-A VT-1 NA 1-3" SCH 40 STANCHION
 AF-1-102-035-S53R D1.20 2 - - - - - C
 R89 840SB

AUXILARY FEEDWATER 4-AF-1-103-2003-3

857550 AF-1-SB-019-H2-WA D-A VT-1 NA 8-1"X1" PIPE LUGS
 AF-1-103-022-S33R D1.20 2 - - - - - C
 R68 808SB

857700 AF-1-SB-019-H1 F-A VT-3 NA ANCHOR
 AF-1-103-024-S33A F1.30 2 - - - - - C
 R82 808SB

857750 AF-1-SB-019-H1-WA D-A VT-1 NA 5" SCH 120 PAD 180
 AF-1-103-024-S33A D1.20 2 - - - - - C
 R82 808SB

AUXILARY FEEDWATER 4-AF-1-107-2003-3

859650 AF-1-SB-027B-H1-WA D-A VT-1 NA IWA ONLY. TUBE STEEL STANCHION
 AF-1-SB-027B-002-5 D1.20 2 - - - - - C
 R100A854SB

COMANCHE PEAK UNIT 1
 INSERVICE INSPECTION PLAN
 CLASS 3 COMPLETED COMPONENTS

SUMMARY EXAMINATION AREA NUMBER IDENTIFICATION	INSPECTION INTERVAL ASME SEC. XI CATGY NDE ITEM NO METH	PLAN STATUS			PRESERVICE YEAR	INSTRUCTIONS **CALIBRATION BLOCK**
		FIRST PERIOD	SECOND PERIOD	THIRD PERIOD		
		1 2	1 2 3	1 2		

COMPONENT COOLING WATER 6-CC-1-007-152-3

864100	CC-1-AB-030-H1 CC-1-007-017-A43R R207W826AB	F-C VT-3 NOTE 1	2 - C	- - -	- - -	NA	STRUT
864300	CC-1-AB-030-H2 CC-1-007-019-A43R R207W826AB	F-C VT-3 NOTE 1	2 - C	- - -	- - -	NA	STRUT
864500	CC-1-AB-030-H3 CC-1-007-021-A43R R207W826AB	F-C VT-3 NOTE 1	2 - C	- - -	- - -	NA	STRUT
865300	CC-1-AB-046-H1 CC-1-007-031-A53S R226 843AB	F-C VT-3 NOTE 1	2 - -	C - -	- - -	NA	SPRING
865350	CC-1-AB-046-H1-WA CC-1-007-031-A53S R226 843AB	D-A VT-3 D1.40	2 - -	C - -	- - -	NA	2-3" SCH 40 STANCHION. EXAM COMPLETED PRIOR TO ASME CODE YEAR UPDATE.

COMPONENT COOLING WATER 24-CC-1-008-152-3

866600	CC-1-AB-032-H1 CC-1-008-001-A43R R205 818AB	F-C VT-3 NOTE 1	2 - C	- - -	- - -	NA	STRUT
866650	CC-1-AB-032-H1-WA CC-1-008-001-A43R R205 818AB	D-A VT-3 D1.20	2 - C	- - -	- - -	NA	8-1.57"X5" PIPE LUGS. EXAM COMPLETED PRIOR TO ASME CODE YEAR UPDATE.

COMANCHE PEAK UNIT 1
INSERVICE INSPECTION PLAN
CLASS 3 COMPLETED COMPONENTS

SUMMARY EXAMINATION AREA NUMBER IDENTIFICATION	INSPECTION INTERVAL	PLAN STATUS			PRESERVICE YEAR	INSTRUCTIONS
		ASME SEC. XI CATGY NDE ITEM NO METH	FIRST PERIOD	SECOND PERIOD		
			O U T A G E			
			1 2	1 2 3	1 2	**CALIBRATION BLOCK**

COMPONENT COOLING WATER 24-CC-1-008-152-3

867400	CC-1-AB-032-H2 CC-1-008-022-A33R R175 803AB	F-C VT-3 NOTE 1	2 - C	- - -	- - -	NA	STRUT
867450	CC-1-AB-032-H2-WA CC-1-008-022-A33R R175 803AB	D-A VT-3 D1.20	2 - C	- - -	- - -	NA	2-6" SCH 40 STANCHION. EXAM COMPLETED PRIOR TO ASME CODE YEAR UPDATE.
867900	CC-1-AB-032-H3 CC-1-008-028-A33R R175 803AB	F-C VT-3 NOTE 1	2 - C	- - -	- - -	NA	STRUT
867950	CC-1-AB-032-H3-WA CC-1-008-028-A33R R175 803AB	D-A VT-3 D1.20	2 - C	- - -	- - -	NA	2-10" SCH 40 STANCHION. EXAM COMPLETED PRIOR TO ASME CODE YEAR UPDATE.
868000	CC-1-SB-005-H1 CC-1-008-029-S33A R63 806SB	F-A VT-3 F1.30	2 - -	- - -	C - -	NA	ANCHOR
868050	CC-1-SB-005-H1-WA CC-1-008-029-S33A R63 806AB	D-A VT-1 D1.20	2 - -	- - -	C - -	NA	2-3/4" PADS 1@86 1@109

COMPONENT COOLING WATER 10-CC-1-009-152-3

868300	CC-1-AB-007-H1 CC-1-009-001-A33R R175 805AB	F-C VT-3 NOTE 1	2 C -	- - -	- - -	NA	STRUT
--------	---	--------------------	-------	-------	-------	----	-------

COMANCHE PEAK UNIT 1
 INSERVICE INSPECTION PLAN
 CLASS 3 COMPLETED COMPONENTS

SUMMARY EXAMINATION AREA NUMBER IDENTIFICATION	INSPECTION INTERVAL ASME SEC. XI CATGY NDE ITEM NO METH	PLAN STATUS			PRESERVICE YEAR	INSTRUCTIONS **CALIBRATION BLOCK**
		FIRST PERIOD	SECOND PERIOD	THIRD PERIOD		
		1 2	1 2 3	1 2		

COMPONENT COOLING WATER 10-CC-1-009-152-3

868400	CC-1-AB-007-H2 CC-1-009-003-A33R R175 805AB	F-C VT-3 NOTE 1	2 C -	- - -	- - -	NA	STRUT
868800	CC-1-AB-007-H3 CC-1-009-009-A43K R205 814AB	F-C VT-3 NOTE 1	2 C -	- - -	- - -	NA	SNUBBER
869500	CC-1-AB-007-H4 CC-1-009-016-A43A R175 805AB	F-B VT-3 NOTE 1	2 C -	- - -	- - -	NA	ANCHOR
869550	CC-1-AB-007-H4-WA CC-1-009-016-A43A R175 805AB	D-A VT-3 D1.20	2 C -	- - -	- - -	NA	3/4"THK PAD 360. EXAM COMPLETED PRIOR TO ASME CODE YEAR UPDATE.

COMPONENT COOLING WATER 24-CC-1-010-152-3

869800	CC-1-AB-003-H1 CC-1-010-005-A43K R205 824AB	F-C VT-3 NOTE 1	2 C -	- - -	- - -	NA	SNUBBER
869850	CC-1-AB-003-H1-WA CC-1-010-005-A43K R205 824AB	D-A VT-3 D1.30	2 C -	- - -	- - -	NA	2-14" SCH 80 STANCHION. EXAM COMPLETED PRIOR TO ASME CODE YEAR UPDATE.

COMPONENT COOLING WATER 6-CC-1-011-152-3

872500	CC-1-AB-045-H1 CC-1-011-032-A63R R241 866AB	F-C VT-3 NOTE 1	2 - -	C - -	- - -	NA	STRUT
--------	---	--------------------	-------	-------	-------	----	-------

COMANCHE PEAK UNIT 1
INSERVICE INSPECTION PLAN
CLASS 3 COMPLETED COMPONENTS

SUMMARY EXAMINATION AREA NUMBER IDENTIFICATION	INSPECTION INTERVAL	PLAN STATUS						PRESERVICE YEAR	
		ASME SEC. XI CATGY NDE ITEM NO METH	FIRST PERIOD	SECOND PERIOD	THIRD PERIOD	O U T A G E			
			1 2	1 2 3	1 2				INSTRUCTIONS **CALIBRATION BLOCK**

COMPONENT COOLING WATER 6-CC-1-011-152-3

872650	CC-1-AB-045-H1-WA CC-1-011-032-A63R R241 866AB	D-A VT-3 D1.20	2 - -	C - -	- -	NA	1-TS4X4X1/4 STANCHION. EXAM COMPLETED PRIOR TO ASME CODE YEAR UPDATE.
872800	CC-1-AB-045-H2 CC-1-011-034-A63K R241 867AB	F-C VT-3 NOTE 1	2 - -	C - -	- -	NA	SNUBBER
872850	CC-1-AB-045-H2-WA CC-1-011-034-A63K R241 867AB	D-A VT-3 D1.30	2 - -	C - -	- -	NA	1-3" SCH 40 STANCHION. EXAM COMPLETED PRIOR TO ASME CODE YEAR UPDATE.
873000	CC-1-AB-045-H3 CC-1-011-036-A63R R241 869AB	F-C VT-3 NOTE 1	2 - -	C - -	- -	NA	STRUT
873050	CC-1-AB-045-H3-WA CC-1-011-036-A63R R241 869AB	D-A VT-3 D1.20	2 - -	C - -	- -	NA	1-3" SCH STD STANCHION. EXAM COMPLETED PRIOR TO ASME CODE YEAR UPDATE.

COMPONENT COOLING WATER 24-CC-1-012-152-3

874100	CC-1-AB-001-H1 CC-1-012-006-A43A R207S825AB	F-B VT-3 NOTE 1	2 C -	- - -	- - -	NA	ANCHOR
874150	CC-1-AB-001-H1-WA CC-1-012-006-A43A R207S825AB	D-A VT-3 D1.20	2 C -	- - -	- - -	NA	3/4" THK PAD. EXAM COMPLETED PRIOR TO ASME CODE YEAR UPDATE.

COMANCHE PEAK UNIT 1
 INSERVICE INSPECTION PLAN
 CLASS 3 COMPLETED COMPONENTS

SUMMARY EXAMINATION AREA NUMBER IDENTIFICATION	INSPECTION INTERVAL	PLAN STATUS			PRESERVICE YEAR	INSTRUCTIONS
		ASME SEC. XI CATGY NDE ITEM NO METH	FIRST PERIOD	SECOND PERIOD		
			1 2	1 2 3	1 2	**CALIBRATION BLOCK**

COMPONENT COOLING WATER 24-CC-1-016-152-3

874800	CC-1-AB-003-H2 CC-1-016-700-A43R R205 813AB	F-C NOTE 1	VT-3	2 C -	- - -	- - -	NA	STRUT
874850	CC-1-AB-003-H2-WA CC-1-016-700-A43R R205 813AB	D-A D1.20	VT-3	2 C -	- - -	- - -	NA	1-14" SCH 40 STANCHION. EXAM COMPLETED PRIOR TO ASME CODE YEAR UPDATE.

COMPONENT COOLING WATER 24-CC-1-017-152-3

875100	CC-1-AB-031-H1 CC-1-017-010-A33K R175 806AB	F-C NOTE 1	VT-3	2 - C	- - -	- - -	NA	SNUBBER
875150	CC-1-AB-031-H1-WA CC-1-017-010-A33K R175 806AB	D-A D1.30	VT-3	2 - C	- - -	- - -	NA	2-18" STD SCH STANCHION. EXAM COMPLETED PRIOR TO ASME CODE YEAR UPDATE.

COMPONENT COOLING WATER 24-CC-1-019-152-3

875500	CC-1-AB-009-H1 CC-1-019-003-A33R R175 803AB	F-C NOTE 1	VT-3	2 - C	- - -	- - -	NA	STRUT
875550	CC-1-AB-009-H1-WA CC-1-019-003-A33R R175 803AB	D-A D1.20	VT-3	2 - C	- - -	- - -	NA	3/4" THK PAD. EXAM COMPLETED PRIOR TO ASME CODE YEAR UPDATE.

COMANCHE PEAK UNIT 1
 INSERVICE INSPECTION PLAN
 CLASS 3 COMPLETED COMPONENTS

SUMMARY EXAMINATION AREA NUMBER IDENTIFICATION	INSPECTION INTERVAL	PLAN STATUS			PRESERVICE YEAR	INSTRUCTIONS
		ASME SEC. XI CATGY NDE ITEM NO METH	FIRST PERIOD	SECOND PERIOD		
			1 2	1 2 3	1 2	**CALIBRATION BLOCK**

COMPONENT COOLING WATER 24-CC-1-019-152-3

876000	CC-1-AB-005-H1 CC-1-019-009-A43R R205 817AB	F-C VT-3 NOTE 1	2 C -	- - -	- - -	NA	STRUT
876050	CC-1-AB-005-H1-WA CC-1-019-009-A43R R205 817AB	D-A VT-3 D1.20	2 C -	- - -	- - -	NA	8-4"X2" PIPE LUGS. EXAM COMPLETED PRIOR TO ASME/CODE YEAR UPDATE.
876100	CC-1-AB-005-H2 CC-1-019-013-A43S R205 813AB	F-C VT-3 NOTE 1	2 C -	- - -	- - -	NA	SPRING
876150	CC-1-AB-005-H2-WA CC-1-019-013-A43S R205 813AB	D-A VT-3 D1.40	2 C -	- - -	- - -	NA	1-12" STD SCH STANCHION. EXAM COMPLETED PRIOR TO ASME CODE YEAR UPDATE.

COMPONENT COOLING WATER 24-CC-1-028-152-3

877000	CC-1-AB-049-H1 CC-1-028-004-A33K R179 803AB	F-A VT-3 F1.30	2 - -	- - -	C -	NA	SNUBBER
877050	CC-1-AB-049-H1-WA CC-1-028-004-A33K R179 803AB	D-A VT-1 D1.20	2 - -	- - -	C -	NA	2-14" SCH 30 STANCHION
877700	CC-1-SB-003-H1 CC-1-028-022-S33K R64 806SB	F-A VT-3 F1.30	2 - -	- - -	C -	NA	SNUBBER

COMANCHE PEAK UNIT 1
 INSERVICE INSPECTION PLAN
 CLASS 3 COMPLETED COMPONENTS

SUMMARY EXAMINATION AREA	INSPECTION INTERVAL	PLAN STATUS			PRESERVICE YEAR	INSTRUCTIONS
		ASME	FIRST PERIOD	SECOND PERIOD		
NUMBER IDENTIFICATION	CATGY NDE	O U T A G E				**CALIBRATION BLOCK**
	ITEM NO METH	1 2	1 2 3	1 2		

COMPONENT COOLING WATER 24-CC-1-028-152-3

877750 CC-1-SB-003-H1-WA D-A VT-1 NA 8-4"X5" PIPE LUGS
 CC-1-028-022-S33K D1.20 2 - - - - - C -
 R64 806SB

879100 CC-1-SB-003-H2 F-A VT-3 NA SNUBBER
 CC-1-028-713-S33K F1.30 2 - - - - - C -
 R71 800SB

879150 CC-1-SB-003-H2-WA D-A VT-1 NA 2-16" SCH 40 STANCHION
 CC-1-028-713-S33K D1.20 2 - - - - - C -
 R71 800SB

COMPONENT COOLING WATER 18-CC-1-030-152-3

880300 CC-1-SB-004-H1 F-A VT-3 NA SNUBBER
 CC-1-030-009-S33K F1.30 2 - - - - - C -
 R70 800SB

880350 CC-1-SB-004-H1-WA D-A VT-1 NA 1-8" SCH 40 STANCHION
 CC-1-030-009-S33K D1.20 2 - - - - - C -
 R70 800SB

880400 CC-1-SB-004-H2 F-A VT-3 NA STRUT
 CC-1-030-010-S33R F1.30 2 - - - - - C -
 R70 800SB

880450 CC-1-SB-004-H2-WA D-A VT-1 NA 1-12" SCH 40 STANCHION
 CC-1-030-010-S33R D1.20 2 - - - - - C -
 R70 800SB

COMANCHE PEAK UNIT 1
 INSERVICE INSPECTION PLAN
 CLASS 3 COMPLETED COMPONENTS

SUMMARY EXAMINATION AREA NUMBER IDENTIFICATION	INSPECTION INTERVAL	PLAN STATUS			PRESERVICE YEAR	INSTRUCTIONS
		ASME SEC. XI CATGY NDE ITEM NO METH	FIRST PERIOD	SECOND PERIOD		
			1 2	1 2 3	1 2	**CALIBRATION BLOCK**

COMPONENT COOLING WATER 18-CC-1-031-152-3

881300	CC-1-SB-001-H1 CC-1-031-010-S43S R69 821SB	F-A VT-3 F1.30	2 - -	- - -	- C	NA SPRING
881350	CC-1-SB-001-H1-WA CC-1-031-010-S43S R69 821SB	D-A VT-1 D1.20	2 - -	- - -	- C	NA 1-3/8"X2.25" PIPE LUG
881600	CC-1-SB-001-H2 CC-1-031-013-S43S R69 810SB	F-A VT-3 F1.30	2 - -	- - -	- C	NA SPRING
881650	CC-1-SB-001-H2-WA CC-1-031-013-S43S R69 810SB	D-A VT-1 D1.20	2 - -	- - -	- C	NA 4-2"X2" PIPE LUG

COMPONENT COOLING WATER 6-CC-1-035-152-3

883500	CC-1-EC-001-H1 CC-1-035-018-A33A R115A798EC	F-A VT-3 F1.30	2 - -	- - -	C -	NA ANCHOR
883550	CC-1-EC-001-H1-WA CC-1-035-018-A33A R115A798EC	D-A VT-1 D1.20	2 - -	- - -	C -	NA 3/8" THK PAD 360

COMPONENT COOLING WATER 6-CC-1-040-152-3

884700	CC-1-EC-002-H1 CC-1-040-019-E33S R115A789EC	F-A VT-3 F1.30	2 - -	- - -	C -	NA SPRING
--------	---	-------------------	-------	-------	-----	-----------

COMANCHE PEAK UNIT 1
 INSERVICE INSPECTION PLAN
 CLASS 3 COMPLETED COMPONENTS

SUMMARY EXAMINATION AREA NUMBER IDENTIFICATION	INSPECTION INTERVAL	PLAN STATUS			PRESERVICE YEAR	INSTRUCTIONS
		ASME SEC. XI CATGY NDE ITEM NO METH	FIRST PERIOD	SECOND PERIOD		
			O U T A G E			**CALIBRATION BLOCK**
			1 2	1 2 3	1 2	

COMPONENT COOLING WATER 6-CC-1-040-152-3

884750 CC-1-EC-002-H1-WA D-A VT-1 NA 4-1.25"X1.25" PIPE LUG
 CC-1-040-019-E33S D1.20 2 - - - - C - -
 R115A789EC

COMPONENT COOLING WATER 24-CC-1-043-152-3

885400 CC-1-AB-004-H1 F-C VT-3 NA STRUT
 CC-1-043-006-A43R NOTE 1 2 C - - - - -
 R207S821AB

885450 CC-1-AB-004-H1-WA D-A VT-3 NA 1-16" SCH 30 STANCHION. EXAM
 CC-1-043-006-A43R D1.20 2 C - - - - - COMPLETED PRIOR TO ASME CODE
 R207S821AB YEAR UPDATE.

885500 CC-1-AB-004-H2 F-C VT-3 NA STRUT
 CC-1-043-007-A43R NOTE 1 2 C - - - - -

885550 CC-1-AB-004-H2-WA D-A VT-3 NA 1-10" SCH 40 STANCHION. EXAM
 CC-1-043-007-A43R D1.20 2 C - - - - - COMPLETED PRIOR TO ASME CODE
 R207S821AB YEAR UPDATE.

886300 CC-1-AB-004-H3 F-C VT-3 NA STRUT
 CC-1-043-017-A43R NOTE 1 2 C - - - - -

886350 CC-1-AB-004-H3-WA D-A VT-3 NA 1-18" STD SCH STANCHION. EXAM
 CC-1-043-017-A43R D1.20 2 C - - - - - COMPLETED PRIOR TO ASME CODE
 R207S821AB YEAR UPDATE.

COMANCHE PEAK UNIT 1
 INSERVICE INSPECTION PLAN
 CLASS 3 COMPLETED COMPONENTS

SUMMARY EXAMINATION AREA NUMBER IDENTIFICATION	INSPECTION INTERVAL		PLAN STATUS			PRESERVICE YEAR	INSTRUCTIONS
	CATGY	NDE	FIRST PERIOD	SECOND PERIOD	THIRD PERIOD		
	ASME	SEC. XI					
			O U T A G E				
	ITEM NO	METH	1 2	1 2 3	1 2		**CALIBRATION BLOCK**

COMPONENT COOLING WATER 24-CC-1-043-152-3

886400	CC-1-AB-004-H4 CC-1-043-018-A43R R198 821AB	F-C NOTE 1	VT-3	2 C -	- - -	- - -	NA	STRUT
886450	CC-1-AB-004-H4-WA CC-1-043-018-A43R R198 821AB	D-A D1.20	VT-3	2 C -	- - -	- - -	NA	1-8" SCH 40 STANCHION. EXAM COMPLETED PRIOR TO ASME CODE YEAR UPDATE.
887000	CC-1-AB-043-H1 CC-1-043-024-A33K R180 800AB	F-C NOTE 1	VT-3	2 - -	C - -	- - -	NA	SNUBBER
887050	CC-1-AB-043-H1-WA CC-1-043-024-A33K R180 800AB	D-A D1.30	VT-3	2 - -	C - -	- - -	NA	1-10" SCH 40 STANCHION. EXAM COMPLETED TO ASME CODE YEAR UPDATE.
887200	CC-1-AB-043-H2 CC-1-043-026-A33R R180 800AB	F-C NOTE 1	VT-3	2 - -	C - -	- - -	NA	STRUT
887250	CC-1-AB-043-H2-WA CC-1-043-026-A33R R180 800AB	D-A D1.20	VT-3	2 - -	C - -	- - -	NA	1-18" SCH STD STANCHION. EXAM COMPLETED PRIOR TO ASME CODE YEAR UPDATE.
887400	CC-1-AB-004-H5 CC-1-043-029-A43K R198 824AB	F-C NOTE 1	VT-3	2 C -	- - -	- - -	NA	SNUBBER

COMANCHE PEAK UNIT 1
 INSERVICE INSPECTION PLAN
 CLASS 3 COMPLETED COMPONENTS

SUMMARY EXAMINATION AREA NUMBER IDENTIFICATION	INSPECTION INTERVAL	PLAN STATUS			PRESERVICE YEAR	INSTRUCTIONS
		ASME SEC. XI CATGY NDE ITEM NO METH	FIRST PERIOD	SECOND PERIOD		
			1 2	1 2 3	1 2	**CALIBRATION BLOCK**

COMPONENT COOLING WATER 24-CC-1-043-152-3

887450	CC-1-AB-004-H5-WA CC-1-043-029-A43K R198 824AB	D-A VT-3 D1.30	2 C -	- - -	- - -	NA	2-14" SCH 40 STANCHION. EXAM COMPLETED PRIOR TO ASME CODE YEAR UPDATE.
887500	CC-1-AB-043-H3 CC-1-043-030-A33K R180 800AB	F-C VT-3 NOTE 1	2 - -	C - -	- - -	NA	SNUBBER
887550	CC-1-AB-043-H3-WA CC-1-043-030-A33K R180 800AB	D-A VT-3 D1.30	2 - -	C - -	- - -	NA	8-4"X4" & 8-4"X5" PIPE LUGS. EXAM COMPLETED PRIOR TO ASME CODE YEAR UPDATE.
887570	CC-1-AB-043-H5 CC-1-043-700-A33R R180 800AB	F-C VT-3 NOTE 1	2 - -	C - -	- - -	NA	STRUT
887580	CC-1-AB-043-H5-WA CC-1-043-700-A33R R180 800AB	D-A VT-3 D1.20	2 - -	C - -	- - -	NA	1-16" STD SCH STANCHION. EXAM COMPLETED PRIOR TO ASME CODE YEAR UPDATE.

COMPONENT COOLING WATER 24-CC-1-047-152-3

888400	CC-1-AB-002-H1 CC-1-047-001-A43R R198 813AB	F-C VT-3 NOTE 1	2 C -	- - -	- - -	NA	STRUT
888450	CC-1-AB-002-H1-WA CC-1-047-001-A43R R198 813AB	D-A VT-3 D1.20	2 C -	- - -	- - -	NA	1-14" SCH 30 STANCHION. EXAM COMPLETED PRIOR TO ASME CODE YEAR UPDATE.

COMANCHE PEAK UNIT 1
INSERVICE INSPECTION PLAN
CLASS 3 COMPLETED COMPONENTS

SUMMARY EXAMINATION AREA NUMBER IDENTIFICATION	INSPECTION INTERVAL		PLAN STATUS			PRESERVICE YEAR	INSTRUCTIONS
	CATGY	NDE	FIRST PERIOD	SECOND PERIOD	THIRD PERIOD		
	ASME						
	SEC. XI		-----				
			O U T A G E				
	ITEM NO METH		1 2	1 2 3	1 2		**CALIBRATION BLOCK**

COMPONENT COOLING WATER 8-CC-1-048-152-3

888800	CC-1-AB-049-H2	F-A	VT-3				NA	SNUBBER
	CC-1-048-004-A33K	F1.30		2 - -	- - -	C -		
	R175 803AB							
888900	CC-1-AB-049-H3	F-A	VT-3				NA	BOX
	CC-1-048-005-A33R	F1.30		2 - -	- - -	C -		
	R175 804AB							
888950	CC-1-AB-049-H3-WA	D-A	VT-1				NA	4-3"X4" PIPE LUGS
	CC-1-048-005-A33R	D1.20		2 - -	- - -	C -		
	R175 804AB							

COMPONENT COOLING WATER 24-CC-1-050-152-3

889900	CC-1-AB-006-H1	F-C	VT-3				NA	SPRING
	CC-1-050-001-A43S	NOTE 1		2 C -	- - -	- - -		
	R198 816AB							
889950	CC-1-AB-006-H1-WA	D-A	VT-3				NA	4-2.5"X4" PIPE LUGS. EXAM COMPLETED PRIOR TO ASME CODE YEAR UPDATE.
	CC-1-050-001-A43S	D1.40		2 C -	- - -	- - -		
	R198 816AB							
890400	CC-1-AB-006-H2	F-C	VT-3				NA	STRUT
	CC-1-050-701-A43R	NOTE 1		2 C -	- - -	- - -		
	R198 816AB							
890450	CC-1-AB-006-H2-WA	D-A	VT-3				NA	8-2"X2.5" PIPE LUGS. EXAM COMPLETED PRIOR TO ASME CODE YEAR UPDATE.
	CC-1-050-701-A43R	D1.20		2 C -	- - -	- - -		
	R198 816AB							

COMANCHE PEAK UNIT 1
 INSERVICE INSPECTION PLAN
 CLASS 3 COMPLETED COMPONENTS

SUMMARY EXAMINATION AREA NUMBER IDENTIFICATION	INSPECTION INTERVAL	PLAN STATUS			PRESERVICE YEAR	INSTRUCTIONS
		ASME SEC. XI CATGY NDE ITEM NO METH	FIRST PERIOD	SECOND PERIOD		
			1 2	1 2 3	1 2	**CALIBRATION BLOCK**

COMPONENT COOLING WATER 24-CC-1-057-152-3

891500	CC-1-AB-012-H1 CC-1-057-010-A33A R174 801AB	F-B VT-3 NOTE 1	2 - C	- - -	- - -	NA ANCHOR
891550	CC-1-AB-012-H1-WA CC-1-057-010-A33A R174 801AB	D-A VT-3 D1.20	2 - C	- - -	- - -	NA 3/4" THK PAD 360. EXAM COMPLETED PRIOR TO ASME CODE YEAR UPDATE.
891900	CC-1-AB-012-H2 CC-1-057-014-A33R R180 801AB	F-C VT-3 NOTE 1	2 - C	- - -	- - -	NA STRUT
891950	CC-1-AB-012-H2-WA CC-1-057-014-A33R R180 801AB	D-A VT-3 D1.20	2 - C	- - -	- - -	NA 8-4.5"X6" PIPE LUGS. EXAM COMPLETED PRIOR TO ASME CODE YEAR UPDATE.
892400	CC-1-SB-006-H1 CC-1-057-019-S33R R70 795SB	F-A VT-3 F1.30	2 - -	- - -	C -	NA STRUT
892450	CC-1-SB-006-H1-WA CC-1-057-019-S33R R70 795SB	D-A VT-1 D1.20	2 - -	- - -	C -	NA 2-10" SCH 40 STANCHION
892500	CC-1-AB-012-H3 CC-1-057-021-A33R R174 803AB	F-C VT-3 NOTE 1	2 - C	- - -	- - -	NA STRUT

COMANCHE PEAK UNIT 1
 INSERVICE INSPECTION PLAN
 CLASS 3 COMPLETED COMPONENTS

SUMMARY EXAMINATION AREA NUMBER IDENTIFICATION	INSPECTION INTERVAL	PLAN STATUS			PRESERVICE YEAR
		FIRST PERIOD	SECOND PERIOD	THIRD PERIOD	
	ASME SEC. XI	-----	-----	-----	
	CATGY NDE	O U T A G E			INSTRUCTIONS
	ITEM NO METH	1 2	1 2 3	1 2	**CALIBRATION BLOCK**

COMPONENT COOLING WATER 24-CC-1-057-152-3

892550 CC-1-AB-012-H3-WA D-A VT-3 NA 2-24" SCH 40 PADS 120. EXAM
 CC-1-057-021-A33R D1.20 2 - C - - - - - COMPLETED PRIOR TO ASME CODE
 R174 803AB YEAR UPDATE.

892800 CC-1-AB-012-H4 F-C VT-3 NA STRUT
 CC-1-057-024-A33R NOTE 1 2 - C - - - - -
 R180 801AB

892850 CC-1-AB-012-H4-WA D-A VT-3 NA 1-3/4" THK PAD 100. EXAM
 CC-1-057-024-A33R D1.20 2 - C - - - - - COMPLETED PRIOR TP ASME CODE
 R180 801AB YEAR UPDATE.

COMPONENT COOLING WATER 18-CC-1-065-152-3

893200 CC-1-SB-006-H2 F-A VT-3 NA STRUT
 CC-1-065-003-S33R F1.30 2 - - - - - C -
 R70 798SB

893250 CC-1-SB-006-H2-WA D-A VT-1 NA 3/4" THK PAD 360
 CC-1-065-003-S33R D1.20 2 - - - - - C -
 R70 798SB

893400 CC-1-SB-007-H1 F-A VT-3 NA SNUBBER
 CC-1-065-005-S33K F1.30 2 - - - - - C
 R68 803SB

893450 CC-1-SB-007-H1-WA D-A VT-1 NA 8-2"X4" PIPE LUGS
 CC-1-065-005-S33K D1.20 2 - - - - - C
 R68 803SB

COMANCHE PEAK UNIT 1
 INSERVICE INSPECTION PLAN
 CLASS 3 COMPLETED COMPONENTS

SUMMARY EXAMINATION AREA NUMBER IDENTIFICATION	INSPECTION INTERVAL	PLAN STATUS			PRESERVICE YEAR	INSTRUCTIONS
		ASME SEC. XI CATGY NDE ITEM NO METH	FIRST PERIOD	SECOND PERIOD		
			1 2	1 2 3	1 2	**CALIBRATION BLOCK**

COMPONENT COOLING WATER 18-CC-1-065-152-3

893500 CC-1-SB-007-H2 F-A VT-3 NA STRUT
 CC-1-065-006-S33R F1.30 2 - - - - - C
 R68 814SB

COMPONENT COOLING WATER 18-CC-1-066-152-3

894000 CC-1-AB-043-H4 F-C VT-3 NA STRUT
 CC-1-066-001-A33R NOTE 1 2 - - C - - - -
 R180 801AB

894700 CC-1-SB-021-H1 F-A VT-3 NA SNUBBER
 CC-1-066-013-S33K F1.30 2 - - - - - C
 R70 800SB

894750 CC-1-SB-021-H1-WA D-A VT-1 NA 2-8" SCH 80 STANCHION
 CC-1-066-013-S33K D1.20 2 - - - - - C
 R70 800SB

COMPONENT COOLING WATER 24-CC-1-070-152-3

895800 CC-1-AB-008-H1 F-B VT-3 NA ANCHOR
 CC-1-070-006-A43A NOTE 1 2 C - - - - -
 R207E819AB

895850 CC-1-AB-008-H1-WA D-A VT-3 NA 3/4" THK PAD 180. EXAM
 CC-1-070-006-A43A D1.20 2 C - - - - -
 R207E819AB COMPLETED PRIOR TO ASME CODE-
 YEAR UPDATE.

COMANCHE PEAK UNIT 1
 INSERVICE INSPECTION PLAN
 CLASS 3 COMPLETED COMPONENTS

SUMMARY EXAMINATION AREA NUMBER IDENTIFICATION	INSPECTION INTERVAL		PLAN STATUS			PRESERVICE YEAR	INSTRUCTIONS
	CATGY	NDE	FIRST PERIOD	SECOND PERIOD	THIRD PERIOD		
			1 2	1 2 3	1 2		**CALIBRATION BLOCK**

COMPONENT COOLING WATER 24-CC-1-070-152-3

896000	CC-1-AB-008-H2	F-C	VT-3				NA	STRUT
	CC-1-070-702-A33R	NOTE 1		2 C -	- - -	- - -		
	R207E806AB							
896050	CC-1-AB-008-H2-WA	D-A	VT-3				NA	4-2"X6" PIPE LUGS. EXAM
	CC-1-070-702-A33R	D1.20		2 C -	- - -	- - -		COMPLETED PRIOR TO ASME CODE
	R207E806AB							YEAR UPDATE.

COMPONENT COOLING WATER 18-CC-1-077-152-3

896900	CC-1-SB-001-H3	F-A	VT-3				NA	SPRING
	CC-1-077-013-S43S	F1.30		2 - -	- - -	- - C		
	R69 808SB							
896950	CC-1-SB-001-H3-WA	D-A	VT-1				NA	4-2"X2" PIPE LUGS
	CC-1-077-013-S43S	D1.20		2 - -	- - -	- - C		
	R69 808SB							

COMPONENT COOLING WATER 18-CC-1-078-152-3

897350	CC-1-SB-006-H3-WA	D-A	VT-1				NA	8-4"X3.75" PIPE LUGS
	CC-1-078-003-S33R	D1.20		2 - -	- - -	- C -		
	R70 798SB							

COMPONENT COOLING WATER 24-CC-1-087-152-3

898000	CC-1-AB-013-H1	F-B	VT-3				NA	BOX
	CC-1-087-001-A33R	NOTE 1		2 - C	- - -	- - -		
	R174 801AB							

COMANCHE PEAK UNIT 1
 INSERVICE INSPECTION PLAN
 CLASS 3 COMPLETED COMPONENTS

SUMMARY EXAMINATION AREA NUMBER IDENTIFICATION	INSPECTION INTERVAL ASME SEC. XI CATGY NDE ITEM NO METH	PLAN STATUS			PRESERVICE YEAR	INSTRUCTIONS **CALIBRATION BLOCK**
		FIRST PERIOD	SECOND PERIOD	THIRD PERIOD		
		1 2	1 2 3	1 2		

COMPONENT COOLING WATER 24-CC-1-087-152-3

898050 CC-1-AB-013-H1-WA D-A VT-3 NA 1-20"STD SCH STANCHION. EXAM
 CC-1-087-001-A33R D1.20 2 - C - - - COMPLETED PRIOR TO ASME CODE
 R174 801AB YEAR UPDATE.

898200 CC-1-AB-013-H2 F-B VT-3 NA ANCHOR
 CC-1-087-004-A33A NOTE 1 2 - C - - -
 R175 803AB

898250 CC-1-AB-013-H2-WA D-A VT-3 NA 1-24" SCH 80 STANCHION. EXAM
 CC-1-087-004-A33A D1.20 2 - C - - - COMPLETED PRIOR TO ASME CODE
 R175 803AB YEAR UPDATE.

COMPONENT COOLING WATER 6-CC-1-105-152-3

899300 CC-1-EC-004-H1 F-A VT-3 NA SNUBBER
 CC-1-105-012-E33K F1.30 2 - - - - C -
 R115A789EC

899350 CC-1-EC-004-H1-WA D-A VT-1 NA 8-1.25X1.25 PIPE LUGS
 CC-1-105-012-E33K D1.20 2 - - - - C -
 R115A789EC

COMPONENT COOLING WATER 6-CC-1-106-152-3

899800 CC-1-AB-044-H1 F-A VT-3 NA STRUT
 CC-1-106-001-A43R F1.30 2 - - C - - -
 R207E820AB

COMANCHE PEAK UNIT 1
 INSERVICE INSPECTION PLAN
 CLASS 3 COMPLETED COMPONENTS

SUMMARY EXAMINATION AREA NUMBER IDENTIFICATION	INSPECTION INTERVAL ASME SEC. XI CATGY NDE ITEM NO METH	PLAN STATUS			PRESERVICE YEAR	INSTRUCTIONS
		FIRST PERIOD	SECOND PERIOD	THIRD PERIOD		
		1 2	1 2 3	1 2		**CALIBRATION BLOCK**

COMPONENT COOLING WATER 6-CC-1-106-152-3

899850	CC-1-AB-044-H1-WA	D-A	VT-3				NA	8-1.25" X 1.25" PIPE LUGS.
	CC-1-106-001-A43R	D1.20		2 - -	C - -	- -		EXAM COMPLETED PRIOR TO ASME
	R207E820AB							CODE YEAR UPDATE.

COMPONENT COOLING WATER 10-CC-1-109-152-3

900900	CC-1-AB-051-H1	F-A	VT-3				NA	ANCHOR
	CC-1-109-005-A43A	F1.30		2 - -	- - -	C -		
	R207E820AB							

900950	CC-1-AB-051-H1-WA	D-A	VT-1				NA	3/4" THK PAD 360
	CC-1-109-005-A43A	D1.20		2 - -	- - -	C -		
	R207E820AB							

COMPONENT COOLING WATER 16-CC-1-110-152-3

901000	CC-1-AB-040-H1	F-C	VT-3				NA	STRUT
	CC-1-110-002-A43R	NOTE 1		2 - -	C - -	- -		
	R207E825AB							

901400	CC-1-AB-040-H2	F-C	VT-3				NA	SPRING
	CC-1-110-007-A43S	NOTE 1		2 - -	C - -	- -		
	R207E826AB							

COMPONENT COOLING WATER 12-CC-1-116-152-3

901600	CC-1-FB-001-H1	F-A	VT-3				NA	STRUT
	CC-1-116-002-F33R	F1.30		2 - -	- - -	C -		
	R247A809FB							

COMANCHE PEAK UNIT 1
 INSERVICE INSPECTION PLAN
 CLASS 3 COMPLETED COMPONENTS

SUMMARY	EXAMINATION AREA	INSPECTION INTERVAL		PLAN STATUS			PRESERVICE YEAR	INSTRUCTIONS
		ASME	SEC. XI	FIRST PERIOD	SECOND PERIOD	THIRD PERIOD		
NUMBER	IDENTIFICATION	CATGY	NDE	O U T A G E				
		ITEM NO	METH	1 2	1 2 3	1 2		**CALIBRATION BLOCK**

COMPONENT COOLING WATER 12-CC-1-116-152-3

901650	CC-1-FB-001-H1-WA CC-1-116-002-F33R R247A809FB	D-A	VT-1	2 - -	- - -	C -	NA	1-STANCHION
901800	CC-1-FB-001-H2 CC-1-116-005-F33R R247A809FB	F-A	VT-3	2 - -	- - -	C -	NA	STRUT
901850	CC-1-FB-001-H2-WA CC-1-116-005-F33R R247A809FB	D-A	VT-1	2 - -	- - -	C -	NA	1-6" STANCHION
901900	CC-1-FB-001-H3 CC-1-116-007-F33R R247A809FB	F-A	VT-3	2 - -	- - -	C -	NA	STRUT
901950	CC-1-FB-001-H3-WA CC-1-116-007-F33R R247A809FB	D-A	VT-1	2 - -	- - -	C -	NA	1-6" STANCHION
902100	CC-1-FB-004-H1 CC-1-116-011-F43R R255 819FB	F-A	VT-3	2 - -	- - -	C -	NA	STRUT
902150	CC-1-FB-004-H1-WA CC-1-116-011-F43R R255 819FB	D-A	VT-1	2 - -	- - -	C -	NA	1-8" SCH 40 STANCHION

COMANCHE PEAK UNIT 1
INSERVICE INSPECTION PLAN
CLASS 3 COMPLETED COMPONENTS

SUMMARY EXAMINATION AREA NUMBER IDENTIFICATION	INSPECTION INTERVAL	PLAN STATUS			PRESERVICE YEAR	INSTRUCTIONS
		ASME SEC. XI CATGY NDE ITEM NO METH	FIRST PERIOD	SECOND PERIOD		
			1 2	1 2 3	1 2	**CALIBRATION BLOCK**

COMPONENT COOLING WATER 12-CC-1-116-152-3

902600	CC-1-AB-053-H1 CC-1-116-030-A43R R207E825AB	F-A VT-3 F1.30	2 - -	- C - - -		NA STRUT
902650	CC-1-AB-053-H1-WA CC-1-116-030-A43R R207E825AB	D-A VT-1 D1.20	2 - -	- C - - -		NA 1-8" SCH 40 STANCHION
903100	CC-1-FB-004-H2 CC-1-116-037-F43A R255 821FB	F-A VT-3 F1.30	2 - -	- - - C -		NA ANCHOR
903150	CC-1-FB-004-H2-WA CC-1-116-037-F43A R255 821FB	D-A VT-1 D1.20	2 - -	- - - C -		NA 14" SCH 80 PAD 180

COMPONENT COOLING WATER 6-CC-1-120-152-3

903500	CC-1-AB-044-H2 CC-1-120-001-A43R R207E818AB	F-B VT-3 NOTE 1	2 - -	C - - - -		NA BOX
903550	CC-1-AB-044-H2-WA CC-1-120-001-A43R R207E818AB	D-A VT-3 D1.20	2 - -	C - - - -		NA IWA. EXAM COMPLETED PRIOR TO ASME CODE YEAR UPDATE.

COMPONENT COOLING WATER 6-CC-1-123-152-3

903700	CC-1-AB-044-H3 CC-1-123-001-A43R R207E820AB	F-C VT-3 NOTE 1	2 - -	C - - - -		NA STRUT
--------	---	--------------------	-------	-----------	--	----------

COMANCHE PEAK UNIT 1
 INSERVICE INSPECTION PLAN
 CLASS 3 COMPLETED COMPONENTS

SUMMARY EXAMINATION AREA NUMBER IDENTIFICATION	INSPECTION INTERVAL	PLAN STATUS			PRESERVICE YEAR	INSTRUCTIONS
		FIRST PERIOD	SECOND PERIOD	THIRD PERIOD		
	ASME SEC. XI	-----				
	CATGY NDE	O U T A G E				
	ITEM NO METH	1 2	1 2 3	1 2		**CALIBRATION BLOCK**

COMPONENT COOLING WATER 6-CC-1-123-152-3

903750	CC-1-AB-044-H3-WA	D-A	VT-3			NA	8-1.25X1.25 PIPE LUGS. EXAM
	CC-1-123-001-A43R	D1.20	2 - -	C - -	- - -		COMPLETED PRIOR TO ASME CODE
	R207E820AB						YEAR UPDATE.

COMPONENT COOLING WATER 12-CC-1-126-152-3

904800	CC-1-FB-003-H1	F-A	VT-3			NA	ANCHOR
	CC-1-126-018-A43A	F1.30	2 - -	- - -	C - -		
	R207T821FB						
904850	CC-1-FB-003-H1-WA	D-A	VT-1			NA	14" SCH 80 PAD
	CC-1-126-018-A43A	D1.20	2 - -	- - -	C - -		
	R207T821FB						
904900	CC-1-FB-003-H2	F-A	VT-3			NA	U-BOLT
	CC-1-126-019-F43R	F1.30	2 - -	- - -	C - -		
	R255 819FB						

COMPONENT COOLING WATER 8-CC-1-131-152-3

905300	CC-1-SB-023-H1	F-A	VT-3			NA	STRUT
	CC-1-131-004-S43R	F1.30	2 - -	- - C	- - -		
	R77S 823SB						
905600	CC-1-SB-023-H2	F-A	VT-3			NA	STRUT
	CC-1-131-009-S43R	F1.30	2 - -	- - C	- - -		
	R77N 823SB						

COMANCHE PEAK UNIT 1
 INSERVICE INSPECTION PLAN
 CLASS 3 COMPLETED COMPONENTS

SUMMARY EXAMINATION AREA NUMBER IDENTIFICATION	INSPECTION INTERVAL	PLAN STATUS			PRESERVICE YEAR	INSTRUCTIONS
		ASME SEC. XI CATGY NDE ITEM NO METH	FIRST PERIOD	SECOND PERIOD		
			1 2	1 2 3	1 2	**CALIBRATION BLOCK**

COMPONENT COOLING WATER 8-CC-1-131-152-3

905800 CC-1-SB-023-H3 F-A VT-3 NA STRUT
 CC-1-131-011-S43R F1.30 2 - - - - C - -
 R77N 823SB

906100 CC-1-SB-023-H4 F-A VT-3 NA STRUT
 CC-1-131-700-S43R F1.30 2 - - - - C - -
 R77S 823SB

COMPONENT COOLING WATER 12-CC-1-155-152-3

909100 CC-1-SB-012-H1 F-A VT-3 NA STRUT
 CC-1-155-001-S53R F1.30 2 - - - - C - -
 R88 840SB

909150 CC-1-SB-012-H1-WA D-A VT-1 NA 2-10" SCH 40 STANCHION
 CC-1-155-001-S53R D1.20 2 - - - - C - -
 R88 840SB

909200 CC-1-SB-012-H2 F-A VT-3 NA SNUBBER
 CC-1-155-002-S53K F1.30 2 - - - - C - -
 R88 838SB

909800 CC-1-SB-012-H3 F-A VT-3 NA ANCHOR
 CC-1-155-013-S43A F1.30 2 - - - - C - -
 R77N 826SB

909850 CC-1-SB-012-H3-WA D-A VT-1 NA 2-3/4" THK PAD 344
 CC-1-155-013-S43A D1.20 2 - - - - C - -
 R77N 826SB

COMANCHE PEAK UNIT 1
 INSERVICE INSPECTION PLAN
 CLASS 3 COMPLETED COMPONENTS

SUMMARY EXAMINATION AREA NUMBER IDENTIFICATION	INSPECTION INTERVAL	PLAN STATUS			PRESERVICE YEAR	INSTRUCTIONS
		CATGY NDE	FIRST PERIOD	SECOND PERIOD		
	SEC. XI		-----	-----		
	ITEM NO METH		1 2	1 2 3	1 2	**CALIBRATION BLOCK**
<hr/>						
<u>COMPONENT COOLING WATER 10-CC-1-156-152-3</u>						
910100	CC-1-AB-066-H1 CC-1-156-004-A63R R241 858AB	F-A VT-3 F1.30	2 - -	- - -	C -	NA BOX
910150	CC-1-AB-066-H1-WA CC-1-156-004-A63R R241 858AB	D-A VT-1 D1.20	2 - -	- - -	C -	NA 8-3"X4" PIPE LUGS
<u>COMPONENT COOLING WATER 16-CC-1-158-152-3</u>						
911800	CC-1-AB-041-H1 CC-1-158-705-A43K R207E823AB	F-C VT-3 NOTE 1	2 - -	C - -	- -	NA SNUBBER
911850	CC-1-AB-041-H1-WA CC-1-158-705-A43K R207E823AB	D-A VT-3 D1.30	2 - -	C - -	- -	NA 1-8" SCH 40 STANCHION. EXAM REE COMPLETED PRIOR TO ASME CODE YEAR UPDATE.
<u>COMPONENT COOLING WATER 12-CC-1-159-152-3</u>						
912700	CC-1-SB-009-H1 CC-1-159-017-S53R R88 837SB	F-A VT-3 F1.30	2 - -	- - -	C -	NA STRUT
912750	CC-1-SB-009-H1-WA CC-1-159-017-S53R R88 837SB	D-A VT-1 D1.20	2 - -	- - -	C -	NA 2-14" SCH 80 PADS 108

COMANCHE PEAK UNIT 1
 INSERVICE INSPECTION PLAN
 CLASS 3 COMPLETED COMPONENTS

SUMMARY EXAMINATION AREA NUMBER IDENTIFICATION	INSPECTION INTERVAL	PLAN STATUS			PRESERVICE YEAR	INSTRUCTIONS
		FIRST PERIOD	SECOND PERIOD	THIRD PERIOD		
	ASME SEC. XI	-----				
	CATGY NDE	O U T A G E				
	ITEM NO METH	1 2	1 2 3	1 2		**CALIBRATION BLOCK**

COMPONENT COOLING WATER 10-CC-1-164-152-3

913100	CC-1-AB-067-H1 CC-1-164-003-A73R R245 877AB	F-A VT-3 F1.30	2 - -	- - -	C -	NA U-STRAP
913150	CC-1-AB-067-H1-WA CC-1-164-003-A73R R245 877AB	D-A VT-1 D1.20	2 - -	- - -	C -	NA 6-1"X3" PIPE LUGS
913600	CC-1-AB-067-H2 CC-1-164-701-A63A R241 854AB	F-A VT-3 F1.30	2 - -	- - -	C -	NA ANCHOR
913650	CC-1-AB-067-H2-WA CC-1-164-701-A63A R241 854AB	D-A VT-1 D1.20	2 - -	- - -	C -	NA 1-1/2" THK PAD

COMPONENT COOLING WATER 8-CC-1-201-152-3

914500	CC-1-RB-046-H1 CC-1-201-004-C53R R155D841RB	F-A VT-3 F1.30	2 - -	- - C	- -	NA BOX
914550	CC-1-RB-046-H1-WA CC-1-201-004-C53R R155D841RB	D-A VT-1 D1.20	2 - -	- - C	- -	NA 2-1/2" THK PADS 130 EACH
914600	CC-1-RB-046-H2 CC-1-201-006-C53S R155G841RB	F-A VT-3 F1.30	2 - -	- - C	- -	NA SPRING

COMANCHE PEAK UNIT 1
 INSERVICE INSPECTION PLAN
 CLASS 3 COMPLETED COMPONENTS

SUMMARY EXAMINATION AREA NUMBER IDENTIFICATION	INSPECTION INTERVAL	PLAN STATUS			PRESERVICE YEAR	INSTRUCTIONS
		ASME SEC. XI CATGY NDE ITEM NO METH	FIRST PERIOD	SECOND PERIOD		
			O U T A G E			**CALIBRATION BLOCK**
			1 2	1 2 3	1 2	

COMPONENT COOLING WATER 8-CC-1-202-152-3

914900	CC-1-SB-011-H1 CC-1-202-001-S53A R88 835SB	F-A VT-3 F1.30	2 - -	- - -	C -	NA ANCHOR
914950	CC-1-SB-011-H1-WA CC-1-202-001-S53A R88 835SB	D-A VT-1 D1.20	2 - -	- - -	C -	NA 3/4" THK PAD 360

COMPONENT COOLING WATER 6-CC-1-204-152-3

915500	CC-1-RB-047-H2 CC-1-204-007-C53A R155E853RB	F-A VT-3 F1.30	2 - -	- - -	C - -	NA ANCHOR
915550	CC-1-RB-047-H2-WA CC-1-204-007-C53A R155E853RB	D-A VT-1 D1.20	2 - -	- - -	C - -	NA 2-1/2" THK PADS
916400	CC-1-RB-047-H3 CC-1-204-017-C53R R155D844RB	F-A VT-3 F1.30	2 - -	- - -	C - -	NA STRUT
916450	CC-1-RB-047-H3-WA CC-1-204-017-C53R R155D844RB	D-A VT-1 D1.20	2 - -	- - -	C - -	NA 8-3/4"X2" PIPE LUGS
916500	CC-1-RB-047-H4 CC-1-204-019-C53R R155D844RB	F-A VT-3 F1.30	2 - -	- - -	C - -	NA U-STRAP

COMANCHE PEAK UNIT 1
 INSERVICE INSPECTION PLAN
 CLASS 3 COMPLETED COMPONENTS

SUMMARY EXAMINATION AREA NUMBER IDENTIFICATION	INSPECTION INTERVAL		PLAN STATUS			PRESERVICE YEAR	INSTRUCTIONS
	CATGY	NDE	FIRST PERIOD	SECOND PERIOD	THIRD PERIOD		
	ASME	SEC. XI					
			O U T A G E				
	ITEM NO	METH	1 2	1 2 3	1 2		**CALIBRATION BLOCK**

COMPONENT COOLING WATER 6-CC-1-204-152-3

916550 CC-1-RB-047-H4-WA D-A VT-1 NA 6-1"X3" PIPE LUGS
 CC-1-204-019-C53R D1.20 2 - - - - C - - -
 R155D844RB

916700 CC-1-RB-047-H5 F-A VT-3 NA U-STRAP
 CC-1-204-021-C53R F1.30 2 - - - - C - - -
 R155E844RB

916750 CC-1-RB-047-H5-WA D-A VT-1 NA 6-1"X3" PIPE LUGS
 CC-1-204-021-C53R D1.20 2 - - - - C - - -
 R155E844RB

COMPONENT COOLING WATER 6-CC-1-246-152-3

917700 CC-1-RB-048-H2 F-A VT-3 NA STRUT
 CC-1-246-011-C53R F1.30 2 - - - - C - - -
 R155E854RB

917750 CC-1-RB-048-H2-WA D-A VT-1 NA 1-6" SCH 40 STANCHION
 CC-1-246-011-C53R D1.20 2 - - - - C - - -
 R155E854RB

918100 CC-1-RB-048-H1 F-A VT-3 NA U-STRAP
 CC-1-246-019-C53R F1.30 2 - - - - C - - -
 R155D844RB

918150 CC-1-RB-048-H1-WA D-A VT-1 NA 6-1/2"X2" PIPE LUGS
 CC-1-246-019-C53R D1.20 2 - - - - C - - -
 R155D844RB

COMANCHE PEAK UNIT 1
 INSERVICE INSPECTION PLAN
 CLASS 3 COMPLETED COMPONENTS

SUMMARY EXAMINATION AREA NUMBER IDENTIFICATION	INSPECTION INTERVAL	PLAN STATUS			PRESERVICE YEAR	INSTRUCTIONS
		FIRST PERIOD	SECOND PERIOD	THIRD PERIOD		
	ASME SEC. XI	-----				
	CATGY NDE	O U T A G E				
	ITEM NO METH	1 2	1 2 3	1 2		**CALIBRATION BLOCK**

COMPONENT COOLING WATER 6-CC-1-246-152-3

918400	CC-1-RB-048-H3	F-A	VT-3			NA	ANCHOR
	CC-1-246-022-C53A	F1.30	2 - -	- - C	- -		
	R155D844RB						
918450	CC-1-RB-048-H3-WA	D-A	VT-1			NA	1/2" THK PAD 180
	CC-1-246-022-C53A	D1.20	2 - -	- - C	- -		
	R155D844RB						

COMPONENT COOLING WATER 8-CC-1-249-152-3

918800	CC-1-RB-049-H1	F-A	VT-3			NA	ANCHOR
	CC-1-249-701-C53A	F1.30	2 - -	- - C	- -		
	R155D840RB						
918850	CC-1-RB-049-H1-WA	D-A	VT-1			NA	3/4" THK PAD 360
	CC-1-249-701-C53A	D1.20	2 - -	- - C	- -		
	R155D840RB						

COMPONENT COOLING WATER 6-CC-1-948-152-3

919100	CC-1-AB-046-H2	F-C	VT-3			NA	STRUT
	CC-1-948-700-A73R	NOTE 1	2 - -	C - -	- -		
	R245 883AB						
919150	CC-1-AB-046-H2-WA	D-A	VT-3			NA	1-4" SCH 40 STANCHION. EXAM
	CC-1-948-700-A73R	D1.20	2 - -	C - -	- -		CPMLETED PRIOR TO ASME+CODE
	R245 883AB						YEAR UPDATE.

COMANCHE PEAK UNIT 1
 INSERVICE INSPECTION PLAN
 CLASS 3 COMPLETED COMPONENTS

SUMMARY EXAMINATION AREA NUMBER IDENTIFICATION	INSPECTION INTERVAL	PLAN STATUS			PRESERVICE YEAR	INSTRUCTIONS
		ASME SEC. XI CATGY NDE ITEM NO METH	FIRST PERIOD	SECOND PERIOD		
			O U T A G E			**CALIBRATION BLOCK**
			1 2	1 2 3	1 2	

COMPONENT COOLING WATER 6-CC-1-949-152-3

919600	CC-1-AB-045-H4	F-C	VT-3				NA	STRUT
	CC-1-949-704-A73R	NOTE 1	2 - -	C - -	- - -			
	R245 882AB							
919650	CC-1-AB-045-H4-WA	D-A	VT-3				NA	1-3" SCH 40 STANCHION. EXAM
	CC-1-949-704-A73R	D1.20	2 - -	C - -	- - -			COMPLETED PRIOR TO ASME CODE
	R245 882AB							YEAR UPDATE.

DIESEL GENERATOR AUXILARY 24-DO-1-021-153-3

920100	DO-1-DG-024-H1	F-A	VT-3				NA	
	DO-1-021-007-S53A	F1.30	2 - -	- C -	- - -			
	R84 833DG							
920150	DO-1-DG-024-H1-WA	D-A	VT-1				NA	DUAL TRUNION
	DO-1-021-007-S53A	D1.20	2 - -	- C -	- - -			
	R84 833DG							

DIESEL GENERATOR AUXILARY 24-DO-1-022-153-3

920200	DO-1-DG-024-H2	F-A	VT-3				NA	
	DO-1-022-006-S53A	F1.30	2 - -	- C -	- - -			
	R84 833DG							
920250	DO-1-DG-024-H2-WA	D-A	VT-1				NA	DUAL TRUNION
	DO-1-022-006-S53A	D1.20	2 - -	- C -	- - -			
	R84 833DG							

COMANCHE PEAK UNIT 1
 INSERVICE INSPECTION PLAN
 CLASS 3 COMPLETED COMPONENTS

SUMMARY EXAMINATION AREA NUMBER IDENTIFICATION	INSPECTION INTERVAL	PLAN STATUS			PRESERVICE YEAR	INSTRUCTIONS
		ASME SEC. XI CATGY NDE ITEM NO METH	FIRST PERIOD	SECOND PERIOD		
			O U T A G E			**CALIBRATION BLOCK**
			1 2	1 2 3	1 2	

MAIN STEAM 8-MS-1-415-152-3

924000 MS-1-SB-048-H1 F-A VT-3 NA SPRING
 MS-1-415-001-S33S F1.30 2 - - - C - - -
 R74 793SB

924050 MS-1-SB-048-H1-WA D-A VT-1 NA 1-3" SCH 40 STANCHION
 MS-1-415-001-S33S D1.20 2 - - - C - - -
 R74 793SB

MAIN STEAM 16-MS-1-416-152-3

924600 MS-1-SB-048-H2 F-A VT-3 NA STRUT
 MS-1-416-012-S43R F1.30 2 - - - C - - -
 R82 813SB

924650 MS-1-SB-048-H2-WA D-A VT-1 NA 2-6" SCH 80 STANCHION
 MS-1-416-012-S43R D1.20 2 - - - C - - -
 R82 813SB

925200 MS-1-SB-048-H3 F-A VT-3 NA SNUBBER
 MS-1-416-700-S33K F1.30 2 - - - C - - -
 R70 804SB

SERVICE WATER 30-SW-1-001-150-3

925900 SW-1-FB-001-H1 F-A VT-3 NA BOX
 SW-1-001-012-F33R F1.30 2 - - - C - - -
 RSWT 803FB

COMANCHE PEAK UNIT 1
 INSERVICE INSPECTION PLAN
 CLASS 3 COMPLETED COMPONENTS

SUMMARY EXAMINATION AREA NUMBER IDENTIFICATION	INSPECTION INTERVAL	PLAN STATUS			PRESERVICE YEAR	INSTRUCTIONS
		ASME SEC. XI CATGY NDE ITEM NO METH	FIRST PERIOD	SECOND PERIOD		
			1 2	1 2 3	1 2	**CALIBRATION BLOCK**

SERVICE WATER 30-SW-1-001-150-3

926300	SW-1-FB-001-H2 SW-1-001-017-F33K RSWT 803FB	F-A VT-3 F1.30	2 - -	- C - - -		NA SNUBBER
926350	SW-1-FB-001-H2-WA SW-1-001-017-F33K RSWT 803FB	D-A VT-1 D1.20	2 - -	- C - - -		NA 2-18" STD. STANCHIONS

SERVICE WATER 24-SW-1-003-150-3

928610	SW-1-AB-009-H1-WA SW-1-AB-009A-006-3 R175 801AB	D-A VT-1 D1.20	2 - -	- C - - -		NA IWA ONLY TUBE STEEL
928620	SW-1-AB-009-H2-WA SW-1-AB-009A-013-3 R175 801AB	D-A VT-1 D1.20	2 - -	- C - - -		NA IWA ONLY TUBE STEEL

SERVICE WATER 24-SW-1-007-150-3

929400	SW-1-SI-005-H1 SW-1-007-007-J03R RSWI 800SI	F-A VT-3 F1.30	2 - -	- - - - C		NA STRUT
929500	SW-1-SI-005-H2 SW-1-007-009-J03R RSWI 800SI	F-A VT-3 F1.30	2 - -	- - C - -		NA STRUT

COMANCHE PEAK UNIT 1
 INSERVICE INSPECTION PLAN
 CLASS 3 COMPLETED COMPONENTS

		INSPECTION INTERVAL		PLAN STATUS			PRESERVICE YEAR
				FIRST PERIOD	SECOND PERIOD	THIRD PERIOD	
SUMMARY EXAMINATION AREA		ASME					INSTRUCTIONS
NUMBER IDENTIFICATION		SEC. XI					
		CATGY NDE	O U T A G E				
		ITEM NO METH	1 2	1 2 3	1 2		**CALIBRATION BLOCK**

SERVICE WATER 30-SW-1-011-150-3

931300	SW-1-FB-003-H1	F-A	VT-3				NA	STRUT
	SW-1-011-026-F33R	F1.30		2 - -	- - C	- -		
	RSWT 803FB							
931350	SW-1-FB-003-H1-WA	D-A	VT-1				NA	2-18" STD. STANCHIONS
	SW-1-011-026-F33R	D1.20		2 - -	- - C	- -		
	RSWT 803FB							

SERVICE WATER 30-SW-1-012-150-3

932400	SW-1-FB-004-H1	F-A	VT-3				NA	SNUBBER
	SW-1-012-023-F33K	F1.30		2 - -	- - C	- -		
	RSWT 793FB							
932450	SW-1-FB-004-H1-WA	D-A	VT-1				NA	2-18" STD. STANCHIONS
	SW-1-012-023-F33K	D1.20		2 - -	- - C	- -		
	RSWT 793FB							

932700	SW-1-AB-002-H1	F-C	VT-3				NA	SNUBBER
	SW-1-012-026-F33K	NOTE 1		2 - -	C - -	- -		
	RSWT 793AB							
932750	SW-1-AB-002-H1-WA	D-A	VT-3				NA	2-16" STD. STANCHIONS. EXAM COMPLETED PRIOR TO ASME CODE YEAR UPDATE.
	SW-1-012-026-F33K	D1.30		2 - -	C - -	- -		
	RSWT 793AB							

SERVICE WATER 24-SW-1-013-150-3

933400	SW-1-AB-002-H2	F-C	VT-3				NA	SNUBBER
	SW-1-013-005-A33K	NOTE 1		2 - -	C - -	- -		
	R175 788AB							

COMANCHE PEAK UNIT 1
 INSERVICE INSPECTION PLAN
 CLASS 3 COMPLETED COMPONENTS

SUMMARY EXAMINATION AREA NUMBER IDENTIFICATION	INSPECTION INTERVAL	PLAN STATUS			PRESERVICE YEAR	INSTRUCTIONS
		ASME SEC. XI CATGY NDE ITEM NO METH	FIRST PERIOD	SECOND PERIOD		
			O U T A G E			
			1 2	1 2 3	1 2	**CALIBRATION BLOCK**

SERVICE WATER 24-SW-1-013-150-3

933450 SW-1-AB-002-H2-WA D-A VT-3 NA 2-10" SCH. 40 STANCHIONS. EXAM
 SW-1-013-005-A33K D1.30 2 - - C - - - - COMPLETED PRIOR TO ASME CODE
 R175 788AB YEAR UPDATE.

933470 SW-1-AB-002-H4 F-C VT-3 NA SPRING
 SW-1-013-701-A33S NOTE 1 2 - - C - - - -

SERVICE WATER 24-SW-1-031-150-3

933800 SW-1-SI-001-H1 F-A VT-3 NA STRUT
 SW-1-031-700-J03R F1.30 2 - - - - C - - -

933850 SW-1-SI-001-H1-WA D-A VT-1 NA 2-3/8" PADS
 SW-1-031-700-J03R D1.20 2 - - - - C - - -

SERVICE WATER 24-SW-1-035-150-3

934400 SW-1-SI-003-H1 F-A VT-3 NA STRUT
 SW-1-035-700-J03R F1.30 2 - - - - C - - -

934450 SW-1-SI-003-H1-WA D-A VT-1 NA 2-3/8" PADS
 SW-1-035-700-J03R D1.20 2 - - - - C - - -

COMANCHE PEAK UNIT 1
 INSERVICE INSPECTION PLAN
 CLASS 3 COMPLETED COMPONENTS

SUMMARY EXAMINATION AREA NUMBER IDENTIFICATION	INSPECTION INTERVAL ASME SEC. XI CATGY NDE ITEM NO METH	PLAN STATUS			PRESERVICE YEAR	INSTRUCTIONS **CALIBRATION BLOCK**
		FIRST PERIOD	SECOND PERIOD	THIRD PERIOD		
		1 2	1 2 3	1 2		

SERVICE WATER 10-SW-1-102-150-3

939600	SW-1-SB-007-H2 SW-1-102-720-S43A R82 824SB	F-A VT-3 F1.30	2 - -	- - C	- - -	NA ANCHOR
939650	SW-1-SB-007-H2-WA SW-1-102-720-S43A R82 824SB	D-A VT-1 D1.20	2 - -	- - C	- - -	NA 1-1/2" PAD
939700	SW-1-YD-012-H1 SW-1-102-721-Y33A R85D 805YD	F-A VT-3 F1.30	2 - -	- - C	- - -	NA ANCHOR
939750	SW-1-YD-012-H1-WA SW-1-102-721-Y33A R85D 805YD	D-A VT-1 D1.20	2 - -	- - C	- - -	NA 2-1/2" PADS
940500	SW-1-AB-011-H1 SW-1-102-735-A43R R207W826AB	F-A VT-3 F1.30	2 - -	- C -	- - -	NA BOX
940550	SW-1-AB-011-H1-WA SW-1-102-735-A43R R207W826AB	D-A VT-1 D1.20	2 - -	- C -	- - -	NA 8-1 1/4" LUGS

SERVICE WATER 10-SW-1-129-150-3

941000	SW-1-AB-003-H1 SW-1-129-001-A33R R175 804AB	F-C VT-3 NOTE 1	2 - -	C - -	- - -	NA STRUT
--------	---	--------------------	-------	-------	-------	----------

COMANCHE PEAK UNIT 1
 INSERVICE INSPECTION PLAN
 CLASS 3 COMPLETED COMPONENTS

SUMMARY EXAMINATION AREA NUMBER IDENTIFICATION	INSPECTION INTERVAL	PLAN STATUS			PRESERVICE YEAR	INSTRUCTIONS
		ASME SEC. XI CATGY NDE ITEM NO METH	FIRST PERIOD	SECOND PERIOD		
			1 2	1 2 3	1 2	**CALIBRATION BLOCK**

SERVICE WATER 10-SW-1-129-150-3

941050	SW-1-AB-003-H1-WA SW-1-129-001-A33R R207E804AB	D-A VT-3 D1.20	2 - -	C - -	- -	NA	1-6" SCH. 40 STANCHION. EXAM COMPLETED PRIOR TO ASME CODE YEAR UPDATE.
941300	SW-1-SB-006-H1 SW-1-129-021-S43R R82 819SB	F-A VT-3 F1.30	2 - -	- - C	- -	NA	BOX
941350	SW-1-SB-006-H1-WA SW-1-129-021-S43R R82 819SB	D-A VT-1 D1.20	2 - -	- - C	- -	NA	8-2" LUGS
941700	SW-1-AB-005-H1 SW-1-129-045-A43R R207E820AB	F-C VT-3 NOTE 1	2 - -	C - -	- -	NA	STRUT
941750	SW-1-AB-005-H1-WA SW-1-129-045-A43R R207E820AB	D-A VT-3 D1.20	2 - -	C - -	- -	NA	2-6" SCH. 80 STANCHIONS. EXAM COMPLETED PRIOR TO ASME CODE YEAR UPDATE.
945400	SW-1-SB-006-H2 SW-1-129-720-S43A R82 824SB	F-A VT-3 F1.30	2 - -	- - C	- -	NA	ANCHOR
945450	SW-1-SB-006-H2-WA SW-1-129-720-S43A R82 824SB	D-A VT-1 D1.20	2 - -	- - C	- -	NA	2-1/2" PADS

COMANCHE PEAK UNIT 1
 INSERVICE INSPECTION PLAN
 CLASS 3 COMPLETED COMPONENTS

SUMMARY EXAMINATION AREA NUMBER IDENTIFICATION	INSPECTION INTERVAL		PLAN STATUS			PRESERVICE YEAR	INSTRUCTIONS
	CATGY	NDE	FIRST PERIOD	SECOND PERIOD	THIRD PERIOD		
	ASME	SEC. XI					
			O U T A G E				
	ITEM NO	METH	1 2	1 2 3	1 2		**CALIBRATION BLOCK**

SERVICE WATER 10-SW-1-129-150-3

945500	SW-1-YD-011-H1 SW-1-129-721-Y33A R85D 805YD	F-A	VT-3	2 - -	- - C	- - -	NA	ANCHOR
945550	SW-1-YD-011-H1-WA SW-1-129-721-Y33A R85D 805YD	D-A	VT-1	2 - -	- - C	- - -	NA	2-1/2" PADS
946600	SW-1-AB-012-H1 SW-1-129-736-A43R R207W825AB	F-A	VT-3	2 - -	- - C	- - -	NA	BOX
946650	SW-1-AB-012-H1-WA SW-1-129-736-A43R R207W825AB	D-A	VT-1	2 - -	- - C	- - -	NA	7-1 1/4" LUGS

SERVICE WATER 10-SW-1-132-150-3

949000	SW-1-SB-008-H1 SW-1-132-024-S43R R82 819SB	F-A	VT-3	2 - -	- - C	- - -	NA	STRUT
949050	SW-1-SB-008-H1-WA SW-1-132-024-S43R R82 819SB	D-A	VT-1	2 - -	- - C	- - -	NA	2-6" SCH. 40 STANCHIONS
949600	SW-1-AB-001-H1 SW-1-132-046-A43R R207S821AB	F-A	VT-3	2 - -	- - C	- - -	NA	STRUT

COMANCHE PEAK UNIT 1
 INSERVICE INSPECTION PLAN
 CLASS 3 COMPLETED COMPONENTS

SUMMARY	EXAMINATION AREA	INSPECTION INTERVAL	PLAN STATUS			PRESERVICE YEAR	INSTRUCTIONS
			FIRST PERIOD	SECOND PERIOD	THIRD PERIOD		
NUMBER	IDENTIFICATION	CATGY NDE	1 2	1 2 3	1 2		**CALIBRATION BLOCK**

SERVICE WATER 10-SW-1-132-150-3

949650	SW-1-AB-001-H1-WA SW-1-132-046-A43R R207S821AB	D-A VT-1 D1.20	2 - -	- - C	- -	NA	2-5" SCH. 40 STANCHIONS
950500	SW-1-AB-001-H2 SW-1-132-061-A43S R207E821AB	F-A VT-3 F1.30	2 - -	- - C	- -	NA	SPRING
950550	SW-1-AB-001-H2-WA SW-1-132-061-A43S R207E821AB	D-A VT-1 D1.20	2 - -	- - C	- -	NA	1-6" SCH. 40 STANCHION
950700	SW-1-SB-008-H2 SW-1-132-063-S43R R82 824SB	F-A VT-3 F1.30	2 - -	- - C	- -	NA	STRUT
950800	SW-1-SB-008-H4 SW-1-132-064-S43R R82 824SB	F-A VT-3 F1.30	2 - -	- - C	- -	NA	STRUT
950900	SW-1-SB-008-H3 SW-1-132-065-S43R R82 824SB	F-A VT-3 F1.30	2 - -	- - C	- -	NA	STRUT
951100	SW-1-SB-008-H5 SW-1-132-067-S43R R82 824SB	F-A VT-3 F1.30	2 - -	- - C	- -	NA	STRUT

COMANCHE PEAK UNIT 1
INSERVICE INSPECTION PLAN
CLASS 3 COMPLETED COMPONENTS

SUMMARY EXAMINATION AREA NUMBER IDENTIFICATION	INSPECTION INTERVAL		PLAN STATUS			PRESERVICE YEAR	INSTRUCTIONS
	ASME SEC. XI CATGY NDE	ITEM NO METH	FIRST PERIOD	SECOND PERIOD	THIRD PERIOD		
			1 2	1 2 3	1 2		**CALIBRATION BLOCK**
<hr/>							
<u>SERVICE WATER 10-SW-1-132-150-3</u>							
951200 SW-1-SB-008-H6	F-A	VT-3				NA	STRUT
SW-1-132-068-S43R	F1.30		2 - -	- - C	- -		
R82 824SB							
953000 SW-1-SB-008-H7	F-A	VT-3				NA	ANCHOR
SW-1-132-720-S43A	F1.30		2 - -	- - C	- -		
R82 824SB							
953050 SW-1-SB-008-H7-WA	D-A	VT-1				NA	3/4" PAD 360
SW-1-132-720-S43A	D1.20		2 - -	- - C	- -		
R82 824SB							
953100 SW-1-YD-010-H1	F-A	VT-3				NA	ANCHOR
SW-1-132-721-Y33A	F1.30		2 - -	- - C	- -		
R85D 805YD							
953150 SW-1-YD-010-H1-WA	D-A	VT-1				NA	2-3/4" PADS
SW-1-132-721-Y33A	D1.20		2 - -	- - C	- -		
R85D 805YD							
953200 SW-1-AB-002-H3	F-C	VT-3				NA	STRUT
SW-1-132-723-A33R	NOTE 1		2 - -	C - -	- -		
R175 800AB							
953250 SW-1-AB-002-H3-WA	D-A	VT-3				NA	2-4" SCH. 40 STANCHIONS: EXAM COMPLETED PRIOR TO ASME CODE YEAR UPDATE.
SW-1-132-723-A33R	D1.20		2 - -	C - -	- -		
R175 800AB							

COMANCHE PEAK UNIT 1
 INSERVICE INSPECTION PLAN
 CLASS 3 COMPLETED COMPONENTS

SUMMARY EXAMINATION AREA	INSPECTION INTERVAL	PLAN STATUS			PRESERVICE YEAR	INSTRUCTIONS
		ASME	FIRST PERIOD	SECOND PERIOD		
SEC. XI			-----	-----	-----	
CATGY NDE			O U T A G E			
ITEM NO METH		1 2	1 2 3	1 2		**CALIBRATION BLOCK**

SERVICE WATER 10-SW-1-173-150-3

955200	SW-1-AB-010-H1 SW-1-173-042-A33R R175 807AB	F-A	VT-3	2 - -	- C - - -	NA	STRUT
955250	SW-1-AB-010-H1-WA SW-1-173-042-A33R R175 807AB	D-A	VT-1	2 - -	- C - - -	NA	1-6" SCH. 40 STANCHION
958700	SW-1-SB-009-H2 SW-1-173-720-S43A R82 824SB	F-A	VT-3	.2 - -	- - C - -	NA	ANCHOR
958750	SW-1-SB-009-H2-WA SW-1-173-720-S43A R82 824SB	D-A	VT-1	2 - -	- - C - -	NA	1/2" PAD 360
958800	SW-1-YD-009-H1 SW-1-173-721-Y33A R85D 805YD	F-A	VT-3	2 - -	- - C - -	NA	ANCHOR
958850	SW-1-YD-009-H1-WA SW-1-173-721-Y33A R85D 805YD	D-A	VT-1	2 - -	- - C - -	NA	2-3/4" PADS

AUXILARY FEEDWATER 4-AF-1-104-2003-3

961200	AF-1-SB-026B-MR1 CP1-AFSSMR-01 R100A861SB	F-A	VT-3	2 - -	- - - - C	NA	MOMENT RESTRAINT. S1-0688-10
--------	---	-----	------	-------	-----------	----	------------------------------

COMANCHE PEAK UNIT 1
INSERVICE INSPECTION PLAN
CLASS 3 COMPLETED COMPONENTS

SUMMARY EXAMINATION AREA NUMBER IDENTIFICATION	INSPECTION INTERVAL		PLAN STATUS			PRESERVICE YEAR	INSTRUCTIONS
	ASME SEC. XI CATGY NDE ITEM NO METH		FIRST PERIOD	SECOND PERIOD	THIRD PERIOD		
			1 2	1 2 3	1 2		**CALIBRATION BLOCK**

SERVICE WATER CP1-SWAPSW-01 (SW-1-SI-03)

962035 SW-1-SI-003-1PS2-WA D-A VT-1 NA ADDITIONAL EXAM FOR 2ND
SSW PUMP SUPPORT WELDED D1.30 2 - - - C - - - INTERVAL
ATTACHMENT
RSWI 772SI

962065 SW-1-SI-003-1PS3-WA D-A VT-1 NA ADDITIONAL EXAM FOR 2ND
SSW PUMP SUPPORT WELDED D1.30 2 - - - C - - - INTERVAL
ATTACHMENT
RSWI 784SI

COMPONENT COOLING WATER CP1-CCAPCC-02 (CC-1-AB-06)

962265 CC-1-AB-006-2PS1 F-B VT-3 NA BASE. DWG FD-14210674-7
CCW PUMP SUPPORTS NOTE 1 2 C - - - - -
R198 810AB

COMPONENT COOLING WATER CP1-CCAHHX-01 (CC-1-AB-13)

962270 CC-1-AB-007-1HXS1 F-B VT-3 NA DWG 1-74-06-32467D
CCW HX SUPPORT NOTE 1 2 C - - - - -
R174 790AB

962271 CC-1-AB-007-1HXWS1 D-A VT-3 NA 3 SADDLES. DWG
CCW HX SUPPORT WELDED D1.20 2 C - - - - - 1-74-06-32467D3. EXAM
ATTACHMENT COMPLETED PRIOR TO ASME CODE
R174 790AB YEAR UPDATE.

COMPONENT COOLING WATER CP1-CCAHHX-02

962275 CC-1-AB-010-2HXS1 F-B VT-3 NA DWG 1-74-06-32467D3.
CCW HX SUPPORT NOTE 1 2 - C C - - - - - SMF-2002-003615.
R175 790AB

COMANCHE PEAK UNIT 1
 INSERVICE INSPECTION PLAN
 CLASS 3 COMPLETED COMPONENTS

	INSPECTION INTERVAL		PLAN STATUS			PRESERVICE YEAR
			FIRST PERIOD	SECOND PERIOD	THIRD PERIOD	
SUMMARY EXAMINATION AREA	ASME	SEC. XI	-----			INSTRUCTIONS
NUMBER IDENTIFICATION	CATGY NDE	ITEM NO METH	1 2	1 2 3	1 2	**CALIBRATION BLOCK**

COMPONENT COOLING WATER CP1-CCAHX-02

962276	CC-1-AB-010-2HXWS1	D-A	VT-3			NA	3 SADDLES. DWG 1-74-06-32467D3
	CCW HX SUPPORT WELDED ATTACHMENT	D1.20	2 - C	- - -	- - -		EXAM COMPLETED PRIOR TO ASME CODE YEAR UPDATE.
	R175 790AB						

COMPONENT COOLING WATER CP1-CCATST-01 (CC-1-AB-46)

962280	CC-1-AB-046-1TS1	F-A	VT-3			NA	SADDLE. DWG N-2640-359
	CCW SURGE TANK SUPPORTS	F1.40	2 - -	- - -	C -		
	R245 873AB						

962281	CC-1-AB-046-1TWS1	D-A	VT-1			NA	SADDLE. DWG N-2640-359
	CCW SURGE TANK SUPPORT WELDED ATTACHMENTS	D1.10	2 - -	- - -	C -		
	R245 873AB						

CHEMICAL & VOLUME CONTROL TBX-CSAHL-01 (CS-1-SB-13)

962285	CS-1-SB-013-HXS1	F-A	VT-3			NA	SADDLE. DWG 5665
	HORIZ LETDOWN HX01 SUPPORTS (2)	F1.40	2 - -	- - -	- C		
	R81 790SB						

962286	CS-1-SB-013-HXWS1	D-A	VT-1			NA	SADDLE. DWG 5665
	HORIZ LETDOWN HX01 SUPPORTS (2) WLD ATT	D1.10	2 - -	- - -	- C		
	R81 790SB						

RESIDUAL HEAT REMOVAL TBX-RHAHRS-01

962300	RH-1-SB-001-HXWS1	D-A	VT-1			NA	DWG. 2323-S1-0654
	RHR HX 01 SHELL TOP WELDED SUPPORT	D1.10	2 - -	- - -	- C		
	R69 829SB						

DATE: 07/15/11

COMANCHE PEAK UNIT 1
INSERVICE INSPECTION PLAN
CLASS 3 COMPLETED COMPONENTS

PAGE: 202

	INSPECTION INTERVAL	PLAN STATUS			PRESERVICE YEAR
		FIRST PERIOD	SECOND PERIOD	THIRD PERIOD	
SUMMARY EXAMINATION AREA	ASME				
	SEC. XI	-----			
NUMBER	CATGY NDE	- - - - - O U T A G E - - - - -			INSTRUCTIONS
IDENTIFICATION	ITEM NO METH	1 2	1 2 3	1 2	**CALIBRATION BLOCK**

CONTAINMENT SPRAY CP1-CTAHCs-02

962310 CT-1-SB-009-HXWS1 D-A VT-1 NA DWG. 2323-S1-0654
 CT HX 02 SHELL WELDED SUPPORTS D1.10 2 - - - C - - -
 R68 828SB

APPENDIX A

APPENDIX A

RELIEF REQUESTS

It is impractical within the limitations of the CPNPP plant design, geometry and accessibility for CPNPP to meet certain requirements of Articles IWA, IWB, IWC, IWD and IWF of the Code. Compliance with these requirements would result in hardships or unusual difficulties without a compensating increase in the level of plant quality or safety. Therefore, pursuant to 10CFR50.55a(g)(5)(iii), the relief requested from the Inservice Inspection requirements of 10CFR50.55a(g)(4)(I) is discussed in detail in this appendix. Relief is requested for the second 120 month interval of the CPNPP inservice inspection program.

APPENDIX A

STATUS OF CPNPP UNIT 1 ISI PLAN / RELIEF REQUESTS

(UNIT 1: 1986 EDITION OF ASME CODE SECTION XI, NO ADDENDA, Update – 1998 Edition to 2000 Addenda (8/3/04)
INTERVAL START DATE – AUGUST 13, 2000, SECOND INTERVAL)

REVISION / RELIEF REQUEST	SUBJECT	SUBMITTED TO NRC	APPROVAL OR DENIAL ISSUED
Revision 0	Unit 1 ISI Program Plan	TXX-00111, 05/19/2000 CPSES-200001276	0
Revision 1	Unit 1 ISI Program Plan	TXX-02169 CPSES-200203317	1
Revision 2	Unit 1 ISI Program Plan	TXX-040342, 2/15/04 CPSES-200400361	2
Revision 3	Unit 1 ISI Program Plan	TXX-04132, 7/28/04 CPSES-20041769	3
Revision 4	Unit 1 ISI Program Plan	TXX-05137 CPSES-200501583	4
Revision 5	Unit 1 ISI Program Plan	TXX-07046, 2/22/07 CPSES-200700414	5
Revision 6	Unit 1 ISI Program Plan	TXX-11091, 7/28/11	6
	Relief is requested for alternative RI-ISI examinations for selected Class 1 and 2 piping welds (ASME Code Categories B-F, B-J, C-F-1, and C-F-2) using EPRI methodology TR-112657 Rev.B-A and Code Case N-578	TXX-01026, 2/15/01 CPSES-200100449	NRR Log No.10027 (Approved) 9/28/01
A-1	Allow use of Code Case N-528-1 (Purchase, Exchange, or Transfer of Material Between Nuclear Plant Sites)	TXX-01090, 6/19/03	NRR Log No. 11021 (Approved) 11/21/01
A-2	Class 1 / Class 2 Pressurizer Instrumentation Piping	TXX-02082, 09/30/02	NRR Log No. 10218
A-3	Relief is requested for deferral of the partial volumetric exam of the RPV to flange weld until the end of the interval. Table IWB-2500-1, cat. B-G-1, Item B6.40	TXX-02129, 7/18/02	NRR Log No. 10168 (Approved) 10/25/02
A-4 rev. 1	Relief is requested for deferral of the RPV flange ligament ultrasonic exam until the end of the interval. Table IWB-2500-1, cat. B-G-1, Item B6.40	TXX-02129, 7/18/02 TXX-02170, 9/24/02 TXX-02175, 10/01/02	NRR Log. No. 10168 (Approved) 10/25/02
A-5 rev. 2	Relief is requested for deferral of the RPV studs, nuts, and washers exams until the end of the interval; eliminating the surface exams for the studs, when removed and for reducing the volumetric examination portion for the studs. Table IWB-2500-1, cat. B-G-1, Items B6.10, B6.20, B6.30, and B6.50	TXX-02129, 7/18/02 TXX-02170, 9/24/02 TXX-02175, 10/01/02	NRR Log. No. 10168 (Approved) 10/25/02
A-6	Relief is requested for allowing the use of Code Cases 685 and 686 for Lighting Requirements for Surface Examination and Alternative Requirements for Visual Examination, VT-1, VT-2, and VT-3.	N/A	Code Cases N-685 and N-686 are approved for use per R.G.1.147 rev.15

APPENDIX A

STATUS OF CPNPP UNIT 1 ISI PLAN / RELIEF REQUESTS

(UNIT 1: 1986 EDITION OF ASME CODE SECTION XI, NO ADDENDA, Update – 1998 Edition to 2000 Addenda (8/3/04)
INTERVAL START DATE – AUGUST 13, 2000, SECOND INTERVAL)

REVISION / RELIEF REQUEST	SUBJECT	SUBMITTED TO NRC	APPROVAL OR DENIAL ISSUED
B-1	Relief is requested for the ultrasonic examination of the Code volume for the spray, safety, and relief nozzle to pressurizer welds. Table IWB-2500-1, cat. B-D, Item B3.110	TXX-01112 06/25/01, 11/30/01	NRR Log No. 10070 (Approved) 1/09/02
B-2	Relief is requested for the ultrasonic examination of the Code volume for specific Class 1 austenitic piping welds with single side access. TBX-1-4502-12 and TBX-1-4502-28	TXX-03009, 2/14/03 TXX-03120, 7/10/03	NRR Log No. 10298 (Approved) 11/14/03
B-3	Relief is requested for not performing surface exam (PT) as required per Code Case N-504-2 for the CRDM canopy seal welds. An enhanced visual exam was done.	TXX-02206, 12/6/02	NRR Log No. (Approved) 1/03/03
B-4	Relief is requested for allowing the use of Code Case N566-2, (Corrective Action for Leakage at Bolted Connections)	TXX-04165, 9/15/04 CPSES-200402110	NRR Log No. 10455 (Approved) 4/29/05
B-5	Relief is requested from ASME BPV Code Section III Requirements for Use of Code Case N-698 for the Fabrication of a Replacement Reactor Vessel Head.	TXX- 04168 , 9/29/04 CPSES-200402114	NRR Log No. 10446 (Approved) 4/4/05
B-6	Relief is requested for allowing the application of full structural weld overlays for the nozzle-to-safe end dissimilar metal and safe end-to-piping stainless steel butt welds associated with the Pressurizer and connected piping.	TXX-06154, CPSES-200601983	NRR Log No. 10671 (Approved) 9/12/07
B-7	Relief is requested for the ultrasonic examination of the Code volume for Pressurizer Surge nozzle to shell weld (TBX-1-2100-11) (Cat B-D, item 3.110)	N/A	Relief is not required as the weld volume was re-calculated and showed the coverage to be > 90 %
B-8	Relief is requested for sizing and for using eddy current in support of detection for the examination of the reactor vessel nozzle to safe-end and safe-end to piping welds	TXX- 08097, 7/10/08 CP-200800927	NRR Log No. 10781 (Approved) 9/18/08
B-9	Relief is requested to extend the examination frequency of the Reactor Vessel from 10 to 20 years for ASME Section XI Cat. B-A and B-D welds	TXX-09004, 2/25/09 CP-200900009	NRR Log No. 10895 (Approved) 12/22/09
B-10	Relief is requested for the ultrasonic examination of the Code volume for piping welds TBX-1-4201-9 and -10 (Code Cat. R-A, R1.16)	TXX-10157, 12/15/10 CP-201001545 TXX- 11071, 6/15/11 CP-201100772	
B-11	Relief is requested for the ultrasonic examination of the Code volume for the inlet Reactor Vessel nozzle safe-end to stainless steel piping weld (TBX-1-4300-13) (Cat. R-A, Item R1.20)	TXX-10158, 12/15/10 CP-201001546 TXX- 11071, 6/15/11 CP-201100772	

APPENDIX A

STATUS OF CPNPP UNIT 1 ISI PLAN / RELIEF REQUESTS

(UNIT 1: 1986 EDITION OF ASME CODE SECTION XI, NO ADDENDA, Update – 1998 Edition to 2000 Addenda (8/3/04)
INTERVAL START DATE – AUGUST 13, 2000, SECOND INTERVAL)

REVISION / RELIEF REQUEST	SUBJECT	SUBMITTED TO NRC	APPROVAL OR DENIAL ISSUED
C-1	Relief is requested for the ultrasonic examination of the Code volume for the RHR HX shell to flange weld. Table IWC-2500-1, Cat. C-A, Item C1.10	TXX-01112 6/25/01, 11/30/01	NRR Log No. 10070 (Approved) 1/09/02
C-2	Relief is requested for allowing the use of Code Case N-562-1, (Alternative Requirements for Wall Thickness Restoration of Class 3 Moderate Energy Carbon Steel Piping)	TXX-03046, 3/5/03 TXX-03159, 9/11/03	Not Approved for Use. Ref. R.G.1.193
C-2 (reused)	Relief is Requested for allowing the use of Code Case N-661 instead of Code Case N-562-1.	TXX-04009, 1/8/04 CPSES-200400045	NRR Log No. 10334 (Approved) 2/18/04
C-3	OPEN		
C-4	Relief is requested for the surface examination of the Code weld area for integral welded attachments to the centrifugal charging pump.	TXX-03009, 2/14/03	NRR Log No. 10298 (Approved) 11/14/03
C-5	OPEN		
C-6	Relief is requested for the ultrasonic examination of the Code volume for the Excess Letdown Heat Exchanger (TBX-CSAHEL-01) head to flange weld (Code Cat. C-A, Item C1.20)	TXX-10091, 12/15/10 CP-201000889 TXX-11053, 4/21/11 CP-201100609	
C-7	Relief is requested fro the ultrasonic examination of the Code volume for the Containment Spray heat Exchanger (CP1-CTAHCS-02) circumferential shell to flange weld. (Code Cat. C-A, Item C1.10)	TXX-10092, 12/15/10 CP-201000890 TXX-11053, 4/22/11 CP-201100609	
C-8	Open		
C-9	Relief is requested for performing alternative pressure testing requirements for the Reactor Pressure Vessel Seal Leak-off Piping (Code Cat. Item C7.10)	TXX-10156, 12/15/10 CP-201001544	

General Notes:

1. A revision to the ISI Plan is usually issued after completion of the each refueling outage and prior to the next refueling outage. ISI Plan revisions include items such as rescheduled exams and updated drawings. A request for relief from the ASME Code is requested separately from Plan revisions. A relief request is assigned a unique identifier, which consists of a letter representing the Code Subsection, followed by a sequential number. (e.g., B-6 is assigned as the sixth request for relief from a requirement in Subsection IWB.)
2. Copies of the ISI Program Plan are forwarded to the a) NRC Document Control Desk, b) NRC Region IV, c) NRC Resident Inspectors, d) NRR Project Manager, and e) Texas Department of Licensing and Regulation (TDLR) and f) Authorized Nuclear In-service Inspector (ANII).

APPENDIX B

**APPENDIX B
UNIT 1 VT-2 PACKAGES
2ND INTERVAL**

PACKAGE #	DESCRIPTION	OWNER	DATE	COMMENTS
1-AF-2--1	MDAFWP-01 TEST LOOP			@ POWER (PM 344423)
1-AF-2--2	MDAFWP-01 (SG 1/2)			OUTAGE (PM 344424)
1-AF-2--3	MDAFWP-02 (SG 3/4)			OUTAGE (PM 344425)
1-AF-2--4	TDAFWP			OUTAGE (PM 344426)
1-AF-2--5	AF OPS			@ POWER (PM 344427)
1-CC-2--1 (a,b,c)	CC TRAIN A ORC			@ POWER (WO 3533763) (PM 343626)
1-CC-2--2 (a,b)	CC TRAIN B ORC			@ POWER (WO 3533751) (PM 343632)
1-CC-2--3	CC IRC			OUTAGE (WO 3439206) (PM 343633)
1-CH-2--1 (a,b)	CH			@ POWER Separated int 2 Pkgs (PM 345062 & PM 345063)
1-CS-2--1 (a,b)	CS ORC			@ POWER (PM 345064)
1-CS-2--2	CS PDP			@ POWER (PM 345065)
1-CS-2--3 (a1, a2, b)	CS IRC			OUTAGE Separated into 2 pkgs, (PM 345066 and PM 345067)
1-CS-2--4 (a,b,c,d)	CS BORATE			@ POWER Separated into 4 pkgs; (PMs 345068 - 345071)

**APPENDIX B
UNIT 1 VT-2 PACKAGES
2ND INTERVAL, THIRD PERIOD**

1-CT-2--1 (a1, a2)	CT TRAIN A			@ POWER Separated into 2 pkgs; (PMs 345072 and 346675)
1-CT-2--2	CT TRAIN B			@ POWER Separated into 2 pkgs; (PMs 4075258 and 4075271)
1-CT-2--3	CT NORMAL OPS			@ POWER (PM 345074)
1-DD-2--1 (a1, a2, a3, b)	DD			Separated into 2 pkgs; @POWER (PM 341662 and OUTAGE (PM 341663)
1-DO-2--1 (a, b)	DO			@ POWER. Separated into 2 pkgs (PMs 341660 and 341661)
1-DG-2--1 (a,b)	DG			@POWER Separated into 2 pkgs (PMs 343622 and 343625)
1-FW-2--1	FW ORC			@ POWER (PM 345075)
1-FW-2--2	FW IRC			OUTAGE (PM 345076)
1-MS-2--1	MS ORC			Separated into 2 pkgs; @ POWER (PM 344433) OUTAGE (344434); MS Line to Terry Turbine)
1-MS-2--2	MS IRC			OUTAGE (WO 3439269) (PM 344436)
1-RC-2--1 (a1,a2,a3,b,c, d,e)	RC CLASS 1			OUTAGE Separated into 5 pkgs; (PMs 344429 thru 344432 & 344538)
1-RC-2--2 (a1,a2, a3, b,c d,e)	RC CLASS 1			OUTAGE Separated into 5 pkgs; (PMs 344429 thru 344432 & 344538)

**APPENDIX B
UNIT 1 VT-2 PACKAGES
2ND INTERVAL, THIRD PERIOD**

1-RC-2- -3 a1,a2,a3,b,c, d,e)	RC CLASS 1			OUTAGE Separated into 5 pkgs; (PMs 344429 - 344432 & 344538)
C-2- -4 (a,b,c,d)	RC CLASS 2			OUTAGE Separated into 4 pkgs; (PM 345081 - 345084)
1-RH-2- -1	RH TRAIN A			OUTAGE (PM 344437)
1-RH-2- -2	RH TRAIN B			OUTAGE (PM 344438)
1-RH-2- -3	RH/RC TIE			OUTAGE (PM 344439)
1-SI-2- -1	SI NORM. OPS			@ POWER (PM 345127)
1-SI-2- -2 (a,b,c,d,e,f,g,h	SI PUMPS			Separated into 8 pkgs; 2 for OUTAGE (PMs 345131 and 3455132 6 for @POWER (PMs 343665, 343666, 345128 - 345130, & 345118)
1-SI-2- -3 (a,b)	SI ACCUM.			OUTAGE Separated into 2 parts; (PM 345134)
1-SW-2- -1 (a,b)	SW TRAIN A			@ POWER Separated into 2 pkgs; (PM 345135 A/G & PM 347475 U/G)
1-SW-2- -2 (a,b)	SW TRAIN B			@ POWER Separated into 2 pkgs; (PM 345136 A/G & 347476 U/G)
1-SF-2- -1 (a,b)	SPENT FUEL			@ POWER Separated into 2 pkgs (PMs 345137 and 345138)

APPENDIX C

**APPENDIX C
ADOPTED CODE CASES**

	<u>CODE CASE</u>	<u>SUBJECT</u>	<u>NRC APPROVAL DOCUMENT</u>
A	N-401-1	Eddy Current Examination	R.G.1.147 Rev. 10
B	N-416-1	Alternative Pressure Test Requirement for Welded Repairs or Installation of Replacement Items by Welding	NRC letter 11/04/94
Note: Implementation of Code Case N-416-1 on Code Class 3 components requires an additional surface examination (MT/PT) to be performed on the root pass of butt and socket welds on the pressure retaining boundary of Code Class components.			
C	N-435-1	Alternative Examination Requirements for Vessels with Wall Thicknesses 2 inches or less	R.G.1.147 Rev. 14
D	N-457	Qualification Specimen Notch Location for Ultrasonic Examination of Bolts and Studs	R.G.1.147 Rev. 13
E	N-460	Alternative Examination Coverage for Class 1 and Class 2 Welds	R.G.1.147 Rev. 15
F	N-461-1	Alternative Rules for Piping Calibration Block Thickness	R.G.1.147 Rev. 13
G	N-481	Alternative Examination Requirements for Cast Austenitic Pump Casing	R.G.1.147 Rev. 14
H	N-491-2	Alternative Rules for Examination of Class 1, 2, 3 and MC Component Supports of Light-Water Cooled Power Plants	R.G.1.147 Rev. 15
I	N-498-4	Alternative Requirements for 10-Year System Hydrostatic Testing for Class 1, 2 and 3 Systems	R.G.1.147 Rev. 15
I1	N-504-2	Alternative Rules for Repair of Class 1, 2, and 3 Austenitic Stainless Steel Piping	R.G.1.147 Rev.14
I2	N-513-2	Evaluation Criteria for Temporary Acceptance of Flaws in moderate energy Class 2 or 3 Piping	R.G.1.147 Rev.15
J	N-522	Pressure Testing of Containment Isolation Piping	R.G.1.147 Rev. 15
Note: Code Case N-522 is acceptable subject of the following condition in addition to those conditions specified in the Code Case. The test should be conducted at the peak calculated containment pressure and the test procedure should permit the detection of through-wall leakage in containment isolation valves (CIV's) and pipe segments between the CIV's.			
K	N-524	Alternative Requirements for Longitudinal Welds in Class 1 and 2 Piping	R.G.1.147 Rev. 13

**APPENDIX C
ADOPTED CODE CASES**

	<u>CODE CASE</u>	<u>SUBJECT</u>	<u>NRC APPROVAL DOCUMENT</u>
L	N-526	Alternative Requirements for successive Inspections of Class 1 and 2 Vessels	R.G.1.147 Rev. 15
L1	N-528-1	Purchase, Exchange, or Transfer of Material Between Nuclear Power Plant Sites	R.G.1.147 Rev. 15
M	N-532-1	Alternative Requirements for Repair and Replacement Documentation Requirements and In-service Summary Report Preparation and Submission as Required by IWA-4000 and IWA-6000	R.G.1.147 Rev. 14
N	N-533-1	Alternative Requirements for VT-2 Visual Examination of Class 1, 2 and 3 Insulated Pressure-Retaining Bolted Connections	R.G.1.147 Rev. 15
O	N-552	Alternative Methods – Qualification of Nozzle Inside Radius Section From the Outside Surface	R.G.1.147 Rev. 15
O1	N-566-2	Corrective action for Leakage Identified at Bolted Connections	R.G.1.147 Rev.15
P	N-573	Transfer of Procedure Qualification recorder Between Owners	R.G.1.147 Rev. 15
P1	N-578	Risk Informed Requirements for Class 1,2, and 3 Piping, Method B	NRC Approval of Relief Request for 2 nd Interval
Q	N-597-2	Requirements for Analytical Evaluation of Pipe Wall Thinning	R.G. 1.147 Rev.15
Q1	N-613-1	Ultrasonic Examination of Penetration Nozzles in Vessels, Examination Category B-D, Item Nos. B3.10 and B3.90, Reactor Nozzle to Vessel Welds, Figs. IWB-2500-79a), (b), and (c)	R.G. 1.147 Rev. 15
R	N-616	Alternative Requirements for VT-2 Visual Examination of Classes 1,2, 3 Insulated Pressure Retaining Bolted Connections	R.G.1.147 Rev. 15
R1	N-617	Alternative Examination Distribution Requirements for Table IWC-2500-1, Examination Category C-G, Pressure Retaining welds in Pumps and Valves	R.G. 1.147 Rev.15
R2	N-619	Alternative Requirements for Nozzle Inner Radius Inspection for Class 1 Pressurizer and Steam Generator Nozzles	R.G.1.147 Rev. 15

**APPENDIX C
ADOPTED CODE CASES**

	<u>CODE CASE</u>	<u>SUBJECT</u>	<u>NRC APPROVAL DOCUMENT</u>
S	N-639	Alternative Calibration Block Material	R.G.1.147 Rev. 15
S1	N-647	Alternative to Augmented Examination Requirements of IWE-2500	R.G. 1.147 rev. 15
T	N-648-1	Alternative Requirements for Inner Radius Examination of Class 1 Reactor Vessel Nozzles	R.G.1.147 Rev. 15
U	N-649	Alternative Requirements for IWE-5240 Visual Examination	R.G. 1.147 – Rev 15
V	N-652-1	Alternative Requirements to Categorize B-G-1, B-G-2, and C-D Bolting Examination Methods and Selection Criteria	R.G. 1.147 Rev. 15
W	N-661	Alternative Requirements for Wall thickness Restoration of Classes 2 and 3 carbon Steel Piping for Raw Water Service	R.G. 1.147 Rev. 15
X	N-685	Lighting Requirements for Surface Examinations	R.G. 1.147 Rev.15
Y	N-686	Alternative Requirements for Visual Examinations, VT-1, VT-2, and VT-3	R.G.1 147 Rev. 15
Z	N-695	Qualification for Dissimilar Metal Welds	R.G. 1.147 Rev. 15
AA	N-696	Qualification Requirements for Appendix VIII Piping Examination Conducted from the Inside Surface	R.G. 1.147 Rev.15

APPENDIX D

APPENDIX D

ULTRASONIC CALIBRATION BLOCKS

Calibration Block No.	Block Size Pipe Schedule	Material	System / Component
TBX-1	12.25"L x 6.00"W x 3.50"T	SA-533 Gr. B, Class-1 C.S.	Pressurizer
TBX-2	8.00"L x 3.00"W x 3.00"T	A351 CF8M	Reactor Coolant Pipe (1982)
TBX-3	3" sch. 160	A376 Type-316	Piping
TBX-4	4" sch. 160	A376 Type-304	Control Rod Drive Mech. Housings
TBX-5	6" sch. 160	A376 Type-304	Piping
TBX-6	6" sch. 40S	A376 Type-304	Piping
TBX-7	8" sch. 40S	A376 Type-304	Letdown Reheat Heat Exchanger
TBX-8	8" sch. 140	A376 Type-316	Excess Letdown Heat Exchanger
TBX-9	10" sch. 140	A376 Type-304	Regenerative Heat Exchanger
TBX-10	10" sch. 40S	A312 Type-316	Piping
TBX-11	12" sch. 40S	A312 Type-316	Piping
TBX-12	12" sch. 140	A376 Type-304	Piping
TBX-13	14" sch. 140	A376 Type-316	Piping
TBX-14	14" sch. 40	A358 Type-316	Piping
TBX-15	16" sch. 40S	A312 Type-304	Piping
TBX-16	9.00"L x 4.00"W x .468"T	A240 Type-304	Seal Water Heat Exchanger

APPENDIX D

ULTRASONIC CALIBRATION BLOCKS

Calibration Block No.	Block Size Pipe Schedule	Material	System / Component
TBX-17	8" sch. 80	A106 Grade-B C.S.	Piping
TBX-18	8" sch. 160	A312 Type-304	Piping
TBX-19	14" sch. 160	A312 Type-304	Piping
TBX-20	16" sch. 80	A106 Grade-B C.S.	Piping
TBX-21	18" sch. 80	A106 Grade-B C.S.	Piping
TBX-22	24" sch. 80	A106 Grade-B C.S.	Piping
TBX-23	1.50 sch. 160	A376 Type-316	Piping
TBX-24	2" sch. 160	A376 Type-316	Piping
TBX-25	7" Lg. Stud	SA-540 C.S.	R.V. Stud & R.C. Pump Bolting (1982)
TBX-26	22.10"L x 6.00"W x 6.30"T	SA-533 Grade-A Class-1 C.S.	Reactor Vessel Bottom Head
TBX-27	20.8"L x 6.00"W x 4.00"T	SA-533 Grade-A Class-1 C.S.	Steam Generator Secondary side
TBX-28	19.10"L x 6.00"W x 5.45"T	SA-508 Grade-A Class-1 C.S.	Steam Generator Channel Head to Tubesheet
TBX-29	30.10"L x 6.00"W x 8.60"T	SA-533 Grade-A Class-1 C.S.	Reactor Vessel Closure Head
TBX-30	13.00"L x 4.00"W x 1.00"T	SA-240 Type-304	Residual Heat Exchanger
TBX-31	9.00"L x 4.00"W x .625"T	SA-240 Type-304	Horizontal Letdown Heat Exchanger
TBX-32	9.00"L x 4.00"W x .312"T	SA-240 Type-304	Volume Control Tank

APPENDIX D

ULTRASONIC CALIBRATION BLOCKS

Calibration Block No.	Block Size Pipe Schedule	Material	System / Component
TBX-33	32' x 1.25"T	SA-106 Grade-B C.S.	32" Main Steam
TBX-34	6" sch. 120	SA-333 Grade-B C.S.	Piping
TBX-35	6" sch. 80	SA-333 Grade-B C.S.	Piping
TBX-36	6" sch. 160	SA-106 Grade-B C.S.	Piping
TBX-37	8" sch. 160	SA-106 Grade-B C.S.	Piping
TBX-38	18" sch. 140	SA-106 Grade-B C.S.	Piping
TBX-39	24" sch. 100	SA-106 Grade-B C.S.	Piping
TBX-40	13.00"L x 4.00"W x 1.502"T	SA-515-74B Grade- 70	Pressurizer Skirt Weld
TBX-41	12' sch. 30	SA-106 Grade-B C.S.	R.C. Drain Tank Heat Exchanger
TBX-42	8" sch. 40S	SA-333 Grade-B C.S.	Excess Letdown Heat Exchanger
TBX-43	12" sch. 20	A-312 Type-304	R.C. Drain Tank Heat Exchanger
TBX-44	3" sch. 80	SA-312 Type-304	Piping
TBX-45	4" sch. 80	SA-312 Type-304	Piping
TBX-46	14" sch. 40	SA-312 Type-304	Piping
TBX-47	14" x .500"T	SA-312 Type-304	Piping

APPENDIX D

ULTRASONIC CALIBRATION BLOCKS

Calibration Block No.	Block Size Pipe Schedule	Material	System / Component
TBX-48	16" sch. 30	SA-312 Type-304	Piping
TBX-49	18" x .375"T	SA-312 Type-304	Piping
TBX-50	24" sch. 20	SA-312 Type-304	Piping
TBX-51	12" sch. 80	SA-312 Type-304	Piping
TBX-52	24"L x 6.812" dia.	SA-540 Gr. B24	RPV Stud (1993)
TBX-53	9.25"L x 2.125" dia.	SA-193 Gr. B7	SI Pump Stud
TBX-54	35"L x 4.5" dia.	SA-540 Gr. B24	RC Pump Stud (1993)
TBX-55	5.5" x 4.5" x 5.8"	SA-508 Cl. 2	Pr Spr Nozzle IR
TBX-56	11" x 4.5" x 9.93"	SA-508 Cl. 2	SG FW Nozzle IR
TBX-57	12" x 12" x 2.7"	A-351 Gr. CF8M	Reactor Coolant Pipe (1993)
TBX-58	7-1/2" x 7" x 8'	SA-508 Cl. 2	Pr Surge Nozzle IR
TBX-59	7" x 7" x 7"	SA-508 Cl. 2	Pr. Sfty / Rif Nozzle IR
TBX-60	16.07"L x 16.24"/7.65"W x 6.0"T	SA-508 Cl. 3a	New SG Primary Nozzle IR
TBX-61	15.29"L x 13.39"/7.76"W x 4.0"T	SA-508 Cl. 3a	New SG FW Nozzle IR
TBX-62	11.81"L x 6.0"W x 3.0"T	SA-508 Cl. 3a	New SG Shell to TS
TBX-63	17.32"L x 6.0"W x 5.0"T	SA-508 Cl. 3a	New SG FW / AFW Nozzle to Vessel & SG Elliptical Head to Upper Shell
TBX-64	17.32"L x 6.0"W x 5.0"T	SA-508 Cl. 3a	New SG TS to Channel Head
TBX-65	13.78"L x Pipe x 4.83"T	SA-336 F 316 LN	New SG Safe-end
TBX-RV-1	45.00"L x 11.00"W x 11.00"T	SA-533 Gr. B Cl. 1	Basic 11" RPV Block
TBX-RV-2	36.00"L x 9.00"W x 9.00"T	SA-533 Gr. B Cl. 1	Basic 9" RPV Block

APPENDIX D

ULTRASONIC CALIBRATION BLOCKS

Calibration Block No.	Block Size Pipe Schedule	Material	System / Component
TBX-RV-3	28.00"L x 6.00"W x 7.00"T	SA-533 Gr. B Cl. 1	Basic 7" RPV Block
TBX-RV-4	20.00"L x 6.00"W x 5.00"T	SA-533 Gr. B Cl. 1	Basic 5" RPV Block
TBX-RV-5	33.00"L x 11.00"W x 11.00"T	SA-533 Gr. B Cl. 1	RPV Flange Ligament
TBX-RV-6	10.00"L x 6.00"W x 3.00"T	SA-503 Cl. 2	RPV Safe End
TBX-RV-7	41.50"L x 7.00"W x 15.25"T	ASTM A508 Cl. 2	RPV Shell
TCX-RV-1	45.00"L x 11.00"W x 11.00"T	SA-533 Gr. B Cl. 1	Basic 11" RPV Block
TCX-RV-2	36.00"L x 9.00"W x 9.00"T	SA-533 Gr. B Cl. 1	Basic 9" RPV Block
TCX-RV-3	28.00"L x 6.00"W x 7.00"T	SA-533 Gr. B Cl. 1	Basic 7" RPV Block
TCX-RV-4	20.00"L x 6.00"W x 5.00"T	SA-533 Gr. B Cl. 1	Basic 5" RPV Block
TCX-RV-5	33.00"L x 11.00"W x 11.00"T	SA-533 Gr. B Cl. 1	RPV Flange Ligament
TCX-RV-6	10.00"L x 6.00"W x 3.00"T	SA-503 Cl. 1	RPV Safe End
SS-CB-1	1/2"T to 3"T x 3"W step	SA-312 Type 304	Stainless Steel Alt Block
CS-BC-1	1/2"T to 3"T x 3"W step	SA-516 Gr. 70	Carbon Steel Block
DM-CB-1	9"L x 4"W x 2"T	SA-312 / SA-516	Dissimilar Metal Alt Block
PDI-01	14.00"L x 2.00"W x 14.00"T	A-508 Cl. 2	RPV Block
PDI-02	9.5"L x 2.00"W x 4 Steps	SA-516 Gr. 70	C.S. Piping Alt Block
PDI-03	9.5"L x 2.00"W x 4 Steps	SA-312 Type 304	S.S. Piping Alt Block
PDI-04	9.5"L x 2.00"W x 4 Steps	SA-312 Type 316	S.S. Piping Alt Block
SAP 10294	6.797"dia x 57.687" long	SA-540 Gr. B24	RPV Closure Stud
SG-IR	12.00"L x 12.00"W x 1.5"T	Lucite	Steam Generator Inner Radius

APPENDIX D

ULTRASONIC CALIBRATION BLOCKS

Calibration Block No.	Block Size Pipe Schedule	Material	System / Component
Ax 8-02	8" Axial & Flat	A-240 Type 316	SWOL of Pressurizer Safety (3), Spray, & Relief Nozzles
Cx 8-02	8" Circumferential	A-240 Type 316	SWOL of Pressurizer Safety (3), Spray, & Relief Nozzles
Ax 16-02	16" Axial & Flat	A-240 Type 316	SWOL of Pressurizer Surge Nozzle
Cx 16-02	16" Circumferential	A-240 Type 316	SWOL of Pressurizer Surge Nozzle

APPENDIX E

Appendix E

TBX ISI Sketches

TBX #	Rev. #	TBX #	Rev. #	TBX #	Rev. #
TBX-1-1100	1	TBX-1-4200	2	TBX-1-4403	1
TBX-1-1100A	2	TBX-1-4201	1	TBX-1-4404	1
TBX-1-1200	2	TBX-1-4202	1	TBX-1-4405	1
TBX-1-1300	1	TBX-1-4203	1	TBX-1-4406	1
TBX-1-1300A	2	TBX-1-4204	1	TBX-1-4407	1
TBX-1-1400	1	TBX-1-4205	1	TBX-1-4408	1
TBX-1-2100	2	TBX-1-4206	1	TBX-1-4409	1
TBX-1-3100	2	TBX-1-4207	1	TBX-1-4410	1
TBX-1-4100	2	TBX-1-4208	1	TBX-1-4500	2
TBX-1-4101	1	TBX-1-4300	2	TBX-1-4501	2
TBX-1-4102	1	TBX-1-4301	1	TBX-1-4502	2
TBX-1-4103	1	TBX-1-4302	1	TBX-1-4503	2
TBX-1-4104	1	TBX-1-4303	1	TBX-1-4504	2
TBX-1-4105	1	TBX-1-4304	1	TBX-1-4505	2
TBX-1-4106	1	TBX-1-4305	1	TBX-1-4600	1
TBX-1-4107	1	TBX-1-4306	2	TBX-1-5100	1
TBX-1-4108	1	TBX-1-4307	1	TBX-1-5100A	1
TBX-1-4109	1	TBX-1-4308	1	TBX-1-5100B	0
TBX-1-4110	1	TBX-1-4309	1	TBX-1-5100C	0
TBX-1-4111	2	TBX-1-4400	3		
		TBX-1-4401	1		
		TBX-1-4402	2		

TBX ISI Sketches (cont.)

TBX #	Rev. #	TBX #	Rev. #	TBX #	Rev. #
TBX-2-1100	2	TBX-2-2534	1	TBX-2-2573	1
TBX-2-1110	1	TBX-2-2535	1	TBX-2-2574	0
TBX-2-1120	1	TBX-2-2536	2	TBX-2-2575	0
TBX-2-1140	1	TBX-2-2537	1	TBX-2-2576	1
TBX-2-1150	1	TBX-2-2538	2	TBX-2-2577	0
TBX-2-1160	1	TBX-2-2538A	1	TBX-2-2578	0
TBX-2-1180	1	TBX-2-2539	1	TBX-2-2579	0
TBX-2-2100	4	TBX-2-2539A	1	TBX-2-2580	0
TBX-2-2101	5	TBX-2-2540	2	TBX-2-2581	0
TBX-2-2102	3	TBX-2-2541	1	TBX-2-2582	0
TBX-2-2200	4	TBX-2-2542	1	TBX-2-2583	2
TBX-2-2201	6	TBX-2-2550	2	TBX-2-2584	0
TBX-2-2202	3	TBX-2-2551	1	TBX-2-2585	0
TBX-2-2300	5	TBX-2-2560	2	TBX-2-2586	0
TBX-2-2301	5	TBX-2-2561	2	TBX-2-3100	1
TBX-2-2302	3	TBX-2-2562	1	TBX-2-3110	1
TBX-2-2400	5	TBX-2-2563	1	TBX-2-3140	1
TBX-2-2401	5	BX-2-2564	1		
TBX-2-2402	3	TBX-2-2565	1		
TBX-2-2500	2	TBX-2-2566	1		
TBX-2-2501	2	TBX-2-2566A	1		
TBX-2-2520	1	TBX-2-2567	1		
TBX-2-2521	1	TBX-2-2568	2		
TBX-2-2530	1	TBX-2-2569	1		
TBX-2-2531	1	TBX-2-2570	2		
TBX-2-2532	1	TBX-2-2571	1		
TBX-2-2533	1	TBX-2-2572	0		

APPENDIX F

APPENDIX F

RECORD OF REVISIONS

Revision 0 Original issue

Revision 1

- Editorial changes provided in sections 1.0 (INTRODUCTION) and 2.0 (EXAMINATIONS).
- Revised section 1.2 (PURPOSE) by adding CPSES ISI Plan compliance with TS 5.5.9.
- Revised section 1.4 (SCOPE) to reflect the risk-informed inspection (RI-ISI) for selected piping welds that has been approved by the NRC for use during the second 10-year interval for Unit 1.
- Revised section 1.5 (ACRONYMS) adding explanations for RI-ISI and RR.
- Revised section 1.8 (RELIEF REQUESTS) to reflect the latest format for the minimum required information to be submitted.
- Revised section 3.3.2 (Ultrasonic Examinations) to include Appendix VII and VIII as mandated by 10CFR50.55a.
- Revised sections 4.1, 4.2, and 4.3 (ISI examination tables for class 1, 2 and 3 components) to reflect completed, added, removed, rescheduled, corrected, and other changes to examination items resulting from implementation of the outage plan, expedited implementation of Appendix VIII of ASME Section XI as executed by the Performance Demonstrative Initiative (PDI), implementation of RI-ISI for selected piping welds (category B-F, B-J, C-F-1, and C-F-2.), and pending NRC approval of Relief Requests A-3, A-4, and A-5. These completed, added, removed, rescheduled, corrected, and other notable changes to the examination items maintain ISI Plan compliance with Code Inspection Schedule and Examination Requirements of subarticles IWB, C, D-2400 and 2500, respectively.
- RI-ISI program changes for selected piping welds follow Attachment 1 to TXX-01026. Use of PDI is mandated by 10CFR50.50a. The summary numbers (examination items) affected by this revision are listed in Attachment 1 to Appendix F of this Plan.
- Deleted Table 4.4.1, noting the latest information regarding tubes repaired and types of plugs installed for the Steam Generators is now found in procedure, NDE 7.10.
- Updated Appendix A to reflect the current status of relief requests.
- Updated Appendix C to reflect the current list of approved, adopted Code Cases.
- Updated Appendix D to reflect the latest list of ultrasonic calibration blocks.
- Updated Appendix F to add the record of revision and corresponding Attachment 1 to the Appendix for Plan revision 1.

Revision 2

- Reformatted the Program Plan.
- Added information regarding Owner and contractor in section 1.3 (RESPONSIBILITY).
- Expanded Section 1.4 (SCOPE) to explain that no RI-ISI categories exist for those welds that do not have a degradation mechanism per Code Case N-578.
- Added to section 1.5 (ACRONYMS) the definition for PDI.
- Added ASME Section XI 1995 Edition and 1996 Addenda to section 3.3.2 (UT Examination).
- Revised section 4.0, the ISI Summary, for completed and scheduled examination percentage totals.
- Revised sections 4.1, 4.2, and 4.3 (ISI examination tables for class 1, 2, and 3 components) to reflect completed, added, removed, corrected, and other changes made to the examination tables resulting from implementation of the outage plan. These changes to the examination items maintain ISI Plan compliance with the Code Inspection Schedule and Examination Requirements of articles IWB, C, D-2400 and -2500, respectively. The summary numbers (examination items) affected by this revision are listed in Attachment 2 to Appendix F of this Plan.
- Corrected in section 4.2 the class 2 NDE Group 1 valve list changing 1MS-036 to 1MS-063.
- Added the License Amendment Requests to section 4.4 (EDDY CURRENT).
- Added section 5.3.4 (Insulated Bolted Connections) that explains the examination process used for VT-2 exams.
- Added section 6.0 (PROGRAM CHANGES), which identifies more clearly and justifies changes to welds and components that are not easily understandable when looking at the NDE Tables 4.1, 4.2, and Component Support Table 4.3.
- Updated Appendix A to reflect the current status of relief requests.
- Updated Appendix D to reflect the current list of ultrasonic calibration blocks.
- Updated Appendix F to add the record of revision and corresponding Attachment 2 to the Appendix for Plan revision 2.

Revision 3

- Complete revision to sections 1.0, 2.0, 3.0, 4.0, and 5.0 to reflect the 10 year Code update to ASME Section XI, 1998 Edition, 2000 Addenda.
- Revised sections 4.1, 4.2, and 4.3 (ISI Examination Tables for class 1, 2, and 3 components) to reflect Code year changes, completed exams from 1RF10, rescheduled exams from 1RF10, 1RF11, and 1RF12, and other minor changes. These changes to the examination items maintain ISI Plan compliance with the Code Inspection Schedule and Examination Requirements of articles TWB, C, D-2400 and -2500, respectively. The summary numbers (examination items) affected by this revision are not identified as an Attachment (3) at this time.
- Deleted section 1.11 for "INTERIM CHANGES" and left corresponding Appendix B as "open".

APPENDIX F RECORD OF REVISIONS

Revision 4

- Revised section 2.2 (ISI ISOMETRIC DRAWINGS) noting that plant drawings are used to identify the location of ASME Code class 3 pipe supports.
- Revised sections 4.0, the ISI Summary, for scheduled and completed examination percentage totals.
- Revised sections 4.1, 4.2, 4.3 (ISI examinations for class 1,2,and 3 components) to reflect completed, rescheduled, corrected, and other changes made to the examination tables resulting from implementation of the outage plan. These changes to the examination items maintain ISI Plan compliance with the Code Inspection Schedule and Examination Requirements of articles IWB, IWC, IWD, and IWF-2400 and -2500, respectively . The summary numbers (examination items) affected by this revision are listed in Attachment 4 to Appendix F of this Plan.
- Revised section 5.3 (PRESSURE TEST REQUIREMENTS) stating that the examinations of class 1 bolted joints for borated systems are conducted using Code Case N-533-1 and are identified in PM document 344681.
- Revised Appendix A to reflect the current status of relief requests.
- Revised Appendix C to reflect the current status of adopted code cases.
- Updated Appendix F to add the record of revision and corresponding Attachment 4 to the Appendix for Plan revision 4.

**APPENDIX F
RECORD OF REVISIONS**

Revision 5

- Revised Sections 1.3 (RESPONSIBILITY) and 1.10 (AUTHORIZED INSPECTION AGENCY) identifying that the Owner(TXU Power) has a Designated Agent (Shaw) responsible for the ISI Program, effective May 1, 2006.
- Revised Section 1.5 (ACRNOYM) adding PTLR.
- Revised the Table of Contents to more clearly identify and number the examination item sheets in Sections 4.0, 4.1, 4.2, and 4.3.
- Revised Section 4.0 (ISI Summary) to identifying changes to the scheduled and completed examination percentage totals.
- Revised Sections 4.1, 4.2, and 4.3 (ISI examinations for class 1,2,and 3 components) to reflect completed, rescheduled, added, or incorporating other changes made to the examination tables, primarily from completing the examinations from 1RF11 and from incorporating the results of the RI-ISI Evaluation/Update for the first period of the second interval. These changes to the examination items maintain ISI Program Plan compliance with the Code Inspection Schedule and Examination requirements of articles IWB, IWC, IWD, IWF-2400 and -2500, respectively, and Regulatory commitments. The summary numbers (examination items) affected by this revision are listed in Attachment 5 to Appendix F of the Plan.
- Revised Appendix A to reflect the current status of relief requests.
- Revised Appendix C to reflect the current status of adopted code cases.
- Updated Appendix F to add the record of revision and corresponding Attachment 5 to the Appendix for Plan revision 5.

APPENDIX F RECORD OF REVISIONS

Revision 6

This revision closes the ISI Program Plan for the second interval. Specific changes made are identified below.

- Made editorial changes throughout the document and changed plant name from CPSES to CPNPP
- Revised Section 1.4 (SCOPE) to provide information on the living RI-ISI program
- Revised Section 1.5 (ACRONYMS) adding SGR, CADD, GHH, BRP, BRHL, AFW, and NRC
- Revised Section 2.2 (ISI ISOMETRIC DRAWINGS) to provide more information on ISI isometric drawings and on information relative to ASME Code Class 2 AFW lines and drawings.
- Revised Section 4.0 (ISI SUMMARY) to identify changes to the scheduled and completed examination percentage totals.
- Revised Sections 4.1, 4.2, and 4.3 (ISI examinations for class 1,2,and 3 components) to reflect completed examinations from the tables, primarily from completing the examinations from 1RF12, 1RF13, 1RF14 and from incorporating the results of the RI-ISI Evaluation/Update for the second period of the second interval. These changes to the examination items maintain ISI Program Plan compliance with the Code Inspection Schedule and Examination requirements of articles IWB, IWC, IWD, IWF-2400 and -2500, respectively, and Regulatory commitments.
- Revised Section 6.0 to identify added, deleted, replaced, and not examined examinations that have occurred during the second interval. (Attachment 6 to Appendix F of the Plan was not revised to identify specific summary numbers that were changed. This information can be obtained from Section 6.0).
- Revised Appendix A to reflect the current status of relief requests.
- Added Appendix B to reflect the listing of VT-2 system pressure tests.
- Updated Appendix C to reflect the current status of approved, adopted Code Cases.
- Updated Appendix D to reflect the current listing of ultrasonic calibration blocks.
- Revised Appendix E to reflect the latest revisions of the TBX ISI Sketches.
- Revised ASME Code boundary and system drawings to reflect latest changes (SGR).

Revision 1 - AFFECTED SUMMARY NUMBERS :

The following summary numbers identify examination items completed during the first refueling outage (1RF08) of the second interval.

003700	666100	754800	834100
003800	666200	754900	834150
003900	666300	755000	868300
004000	666400	767600	868400
009100	667600	767650	868800
009300	668100	775300	869500
009600	668200	775350	869550
009650	668300	777000	869800
009700	668900	777200	869850
009750	669000	777300	874100
009800	689900	777400	874150
009850	689920	777500	874800
009900	689940	789400	874850
009950	689980	790000	876000
010000	689990	791200	876050
010050	691700	791300	876100
010100	691725	791750	876150
082200	691750	791900	885400
083000	691775	792300	885450
083100	691800	792350	885500
083200	700300	792500	885550
084500	700500	792550	886300
084600	700600	793000	886350
084700	703000	794700	886400
084800	703700	794730	886450
084810	703750	794760	887400
102600	716400	830300	887450
102700	716450	830350	888400
102800	721000	832000	888450
102900	729900	832100	889900
103000	729950	832300	889950
103100	730000	832400	890400
129350	730050	832450	890450
130100	730900	832500	895800
146400	734900	832600	895850
179100	754000	832700	896000
179200	754100	832800	896050
181600	754300	832900	962265
652600	754500	833100	962270
652650	754600	833300	962271
665900			

Revision 1 - AFFECTED SUMMARY NUMBERS :

The following summary numbers identify examinations that have been removed from the schedule, primarily from adopting the RJ-ISI for selected piping welds.

013800	028300	046300	069000
015000	028600	047000	070000
015100	029500	047300	070100
015600	029600	047700	070200
016500	031800	047800	070300
016600	031900	047900	070400
017100	032600	048600	070500
017200	032900	048700	070600
017300	033000	048800	070700
017600	033100	048900	070800
017700	033200	049000	071000
017800	033300	049100	071600
017900	033400	049200	072500
018000	034200	049300	072800
018800	034300	049400	072900
018900	034000	049500	073000
019000	034500	049600	073300
019200	034600	050600	073400
019800	034700	053100	074400
021000	034800	053200	074500
021100	034900	054200	074600
022000	035000	054400	075300
023800	035100	054500	075400
024500	035200	055200	075500
024800	035300	055300	077400
024900	035500	055400	077500
025600	036500	060700	077600
026400	037900	061000	077700
026500	038000	063600	077800
026600	038100	065300	080300
026700	040700	066000	080400
026800	040800	066100	080700
026900	040900	066600	080900
027000	041000	067500	081000
027100	041100	067600	081100
027200	041300	068000	081200
027300	041600	068100	082100
027400	041700	068200	082300
027500	041800	068300	083400
027900	044200	068600	084000
028000	045100	068700	084400
028200	046200	068800	085200

Revision 1 - AFFECTED SUMMARY NUMBERS :

Examination items removed (cont'd):

086000	136600	181100	276300
086100	136700	181200	280100
086900	137800	181400	280400
087900	137900	181900	280500
088000	139300	182300	282700
090200	141500	186300	283100
090300	141700	207000	283200
091000	146500	207100	285400
091100	148700	215500	286400
091200	150400	215600	286500
091300	152200	215700	287200
091400	156200	215800	287300
091500	156300	215900	290500
093800	156400	217100	295600
093900	156500	217300	295700
094400	157600	217400	298300
094900	160400	217500	298900
097200	161300	217700	299000
098500	161600	217800	299100
098900	164000	218200	301600
099100	164100	218300	303200
099200	164900	219100	303300
099300	165710	219200	305500
107900	168400	220900	305700
109400	169100	221600	305800
111100	171600	221700	307300
111200	171700	222400	307500
112200	171900	222500	307600
115900	172200	226100	308800
118800	172300	226200	309100
118900	173700	226300	309200
119600	174500	265900	310300
119700	174600	266000	310400
122500	176700	267500	311000
122800	176900	267600	311100
123600	178800	269600	311200
124400	179600	270900	314700
126400	179700	273200	314800
126500	180500	273300	315000
129700	180600	273400	315100
130700	180700	273500	316600
132500	180900	276200	316700

Revision 1 - AFFECTED SUMMARY NUMBERS :

Examination items removed (cont'd) :

319500	323100	331300	341000
319600	325400	334900	341500
319700	325500	336200	341600
321600	329400	336300	342700
321700	329500	338200	348400
321800	329600	340100	348500
323000	331200	340200	666000

The following summary numbers identify examination items that have been added to the schedule :

014600	065700	173600	196700
014700	065900	177600	196800
014900	066400	182900	207500
031400	067000	184300	207600
031500	067100	186000	207700
031600	089400	186100	209600
031700	089500	186200	209700
032000	094100	189600	210800
032100	097700	189700	211800
036600	097800	189800	211900
050700	098000	191900	213700
050800	098200	192000	213800
052200	098700	196500	213900
063900	098800	196600	

The following summary numbers identify examination changes based on adopting RI-ISI for selected piping welds :

012200	021800	044300	083300
012300	021900	044800	085100
012500	029200	044900	086200
012600	029300	063200	087800
013200	030400	063300	094800
013400	030500	063500	098300
013500	043600	064400	174100
016100	043700	064500	174200
016200	043900	080500	176600
020900	044000	080600	222600

Revision 1 - AFFECTED SUMMARY NUMBERS :

The following summary numbers will have changes pending approval of Relief Requests A-3, A-4, and A-5 :

000100	006180	007120	008060
002700	006200	007140	008080
005400	006220	007160	008100
005420	006240	007180	008120
005440	006260	007200	008140
005460	006280	007220	008160
005480	006300	007240	008180
005500	006320	007260	008200
005520	006340	007280	008220
005540	006360	007300	008240
005560	006380	007320	008260
005580	006400	007340	008280
005600	006420	007360	008300
005620	006440	007380	008320
005640	006460	007400	008340
005660	006600	007420	008360
05680	006620	007440	008380
005700	006640	007460	008400
005720	006660	007480	008420
005740	006680	007500	008440
005760	006700	007520	008460
005780	006720	007540	008480
005800	006740	007560	008500
005820	006760	007580	008520
005840	006780	007600	008540
005860	006800	007620	008560
005880	006820	007640	008580
005900	006840	007660	008600
005920	006860	007800	008620
005940	006880	007820	008640
005960	006900	007840	008660
005980	006920	007860	008680
006000	006940	007880	008700
006020	006960	007900	008720
006040	006980	007920	008740
006060	007000	007940	008760
006080	007020	007960	008780
006100	007040	007980	008800
006120	007060	008000	008820
006140	007080	008020	008840
006160	007100	008040	008860

Revision 1 - AFFECTED SUMMARY NUMBERS :

The following summary numbers identify examinations that have schedule changes :

003100	016200	085100	176600
003200	020900	086200	179100
003500	021800	087800	179200
004750	021900	094800	181600
016100	083300	146400	222600

Revision 2 - AFFECTED SUMMARY NUMBERS :

The following summary numbers identify examination items ^(sampled) during the second refueling outage (1RF09) of the first period, second outage, second interval.

002800	400200	690930	820450
003100	400210	690960	821100
004750	400220	691000	821150
010300	400230	691030	854500
010400	650800	691060	854550
012500	650900	691900	854700
012600	654700	692300	854750
013200	654800	729800	864100
014600	662300	729850	864200
014700	662900	745400	864500
014900	669200	745450	864500
015200	670000	749600	866600
015800	670200	750000	866650
016100	671400	750050	867400
016200	671450	750100	867450
063900	680300	750150	867900
065700	680400	751100	867950
065900	680800	751150	875100
066400	680850	751900	875150
066900	682100	751950	875500
067100	682200	753450	875550
085100	682300	756200	891500
086200	683300	756300	891550
087800	684600	756400	891900
103300	684700	758500	891950
104200	684750	770100	892500
104300	689700	770150	892550
173600	689725	787500	892800
174100	689750	787550	892850
174200	689775	793400	898000
176600	689800	793450	898050
189600	689825	794885	898200
189700	689850	794890	962275
189800	680900	820400	962276
339400			

Revision 2 - AFFECTED SUMMARY NUMBERS :

The following summary numbers identify examination items having changes, primarily for scheduling and for NDE methods, based on approval of Relief Requests A-3, A-4, and A-5.

000100	006180	007120	008060
002700	006200	007140	008080
005400	006220	007160	008100
005420	006240	007180	008120
005440	006260	007200	008140
005460	006280	007220	008160
005480	006300	007240	008180
005500	006320	007260	008200
005520	006340	007280	008220
005540	006360	007300	008240
005560	006380	007320	008260
005580	006400	007340	008280
005600	006420	007360	008300
005620	006440	007380	008320
005640	006460	007400	008340
005660	006600	007420	008360
05680	006620	007440	008380
005700	006640	007460	008400
005720	006660	007480	008420
005740	006680	007500	008440
005760	006700	007520	008460
005780	006720	007540	008480
005800	006740	007560	008500
005820	006760	007580	008520
005840	006780	007600	008540
005860	006800	007620	008560
005880	006820	007640	008580
005900	006840	007660	008600
005920	006860	007800	008620
005940	006880	007820	008640
005960	006900	007840	008660
005980	006920	007860	008680
006000	006940	007880	008700
006020	006960	007900	008720
006040	006980	007920	008740
006060	007000	007940	008760
006080	007020	007960	008780
006100	007040	007980	008800
006120	007060	008000	008820
006140	007080	008020	008840
006160	007100	008040	008860

Revision 2 - AFFECTED SUMMARY NUMBERS :

The following summary numbers identify examination items where information has been added to the "Instructions" in the Tables identifying these are RI-ISI exams.

012200	043600	083300	184700
012300	043700	085100	186100
012500	043900	086200	186200
012600	044000	087800	187200
013200	044300	089400	189600
013400	044800	089500	189700
013500	044900	092800	189800
014600	050700	093400	191900
014700	050800	094100	192000
014900	052200	094800	196500
015200	063200	097700	196600
016100	063300	097800	196700
016200	063500	098000	196800
020900	063900	098200	207500
021800	064400	098300	207600
021900	064500	098700	207700
029200	065700	098800	209600
029300	065900	146400	209700
030400	066400	173600	210800
030500	066900	174100	211800
031400	067100	174200	211900
031500	080500	176600	213700
031600	080600	177600	213800
031700	083000	179100	213900
032000	083100	181600	222600
032100	083200	182300	339400
036600			

The following summary numbers identify examination items that have been removed from the schedule.

020900	182900	186000	339200
067000	184300	186400	

The following summary numbers identify examination items that have been rescheduled.

003200	015810	041400	949650
003300	021800	400400	950500
003600	021900	949600	950550

The following summary numbers identify examination items that have been added to the schedule.

026600	182300	186200	339400
066900	184700	187200	

Revision 4 – AFFECTED Summary Numbers:

The following summary numbers identify examination items completed during the first refueling outage (1RF10) of the second period, second interval.

012000	678400	741600	887200
021000	683800	741650	887250
021800	683850	752800	887500
021900	689400	764000	887550
023900	690600	764300	887570
026000	690625	764350	887580
026600	690650	783000	894000
029100	690675	792700	899800
041400	690700	792000	899850
086200	690725	794865	901000
087800	690750	795070	901400
097700	690800	815100	903500
097800	690820	815150	903550
098000	690840	815700	903700
098200	690880	815750	903750
098300	690890	817700	911800
098700	691500	817750	911850
098800	691530	817800	919100
177600	691156	817850	919150
182300	691600	820600	919600
184700	691630	820650	919650
186100	691660	828400	932700
186200	692700	828450	932750
187200	704800	865300	933400
323100	705200	865350	933470
400000	705700	872500	941000
400010	706000	872650	941050
400020	725800	872800	941700
655400	725850	872850	941750
655600	726100	873000	953200
670100	726150	873050	953250
678100	741500	887000	962275
678200	741550	887050	

Revision 4 – AFFECTED Summary Numbers:

The following summary numbers identify examinations that have schedule changes, primarily based on the Steam Generator replacement activities scheduled during 1RF11 and 1RF12.

003200	015800	044300	721100
003300	031400	065380	721150
003600	031500	083300	722900
005200	031600	207500	722950
010700	031700	207600	724800
010800	032000	207700	724850
010900	032100	209600	725000
011200	036400	209700	725050
011300	036410	210800	725100
011400	036600	211800	725150
016700	043900	211900	730600
011800	044000	657700	730650
011908			

The following summary numbers identify examinations where corrections have been made.

842650	896950	932450	962286
877050	926300		

Revision 5 – AFFECTED Summary Numbers:

The following summary numbers identify examination items completed during the second refueling outage (1RF11) of the second period, second interval.

002800	672500	691400	816800
011000	672600	691430	816850
011100	672800	691460	817000
014800	673200	706500	817100
104700	673400	706550	817150
104800	673500	707200	824800
104900	673600	707400	824850
105000	673800	707450	831200
123900	673900	724500	831250
196500	672400	729000	902600
196600	674200	742700	902650
196700	672440	742750	920100
196800	674500	745800	920150
207500	674600	746300	920200
207600	652700	746350	920250
207700	690000	747000	920400
209600	690025	747050	924050
209700	690050	747200	924600
210800	690075	747250	924650
211800	690100	747400	925200
211900	690125	747700	926300
650000	690150	747750	926350
655900	690200	753700	928610
656000	690240	753800	928620
656100	690280	763150	940500
656200	690290	784100	940550
656900	690300	784150	955299
657000	690325	784250	955250
657300	690350	784300	962035
657400	690375	784350	962065
659700	690400	784500	962310
659750	690425	784550	
663100	690450	785100	
663150	691100	785150	
665200	691130	785600	
665250	691160	793900	
665700	691200	794300	
665800	691230	795000	
669400	691260	790530	
669800	691300	790560	
672200	691330	810400	
672400	691360	810450	

Revision 5 – AFFECTED Summary Numbers:

The following summary numbers identify examination items that have been added to the schedule based on the RI-ISI Evaluation/Update for the first period, second interval;

114700	168100	247200	795504
114800	168200	247700	795506
114900	215400	247800	795507
132100	215500	249200	795570
133200	215900	249300	795571
132300	216000	253500	795511
151800	216100	253600	795512
151900	217200	254100	795563
152000	217300	254200	795517
168000	247100		

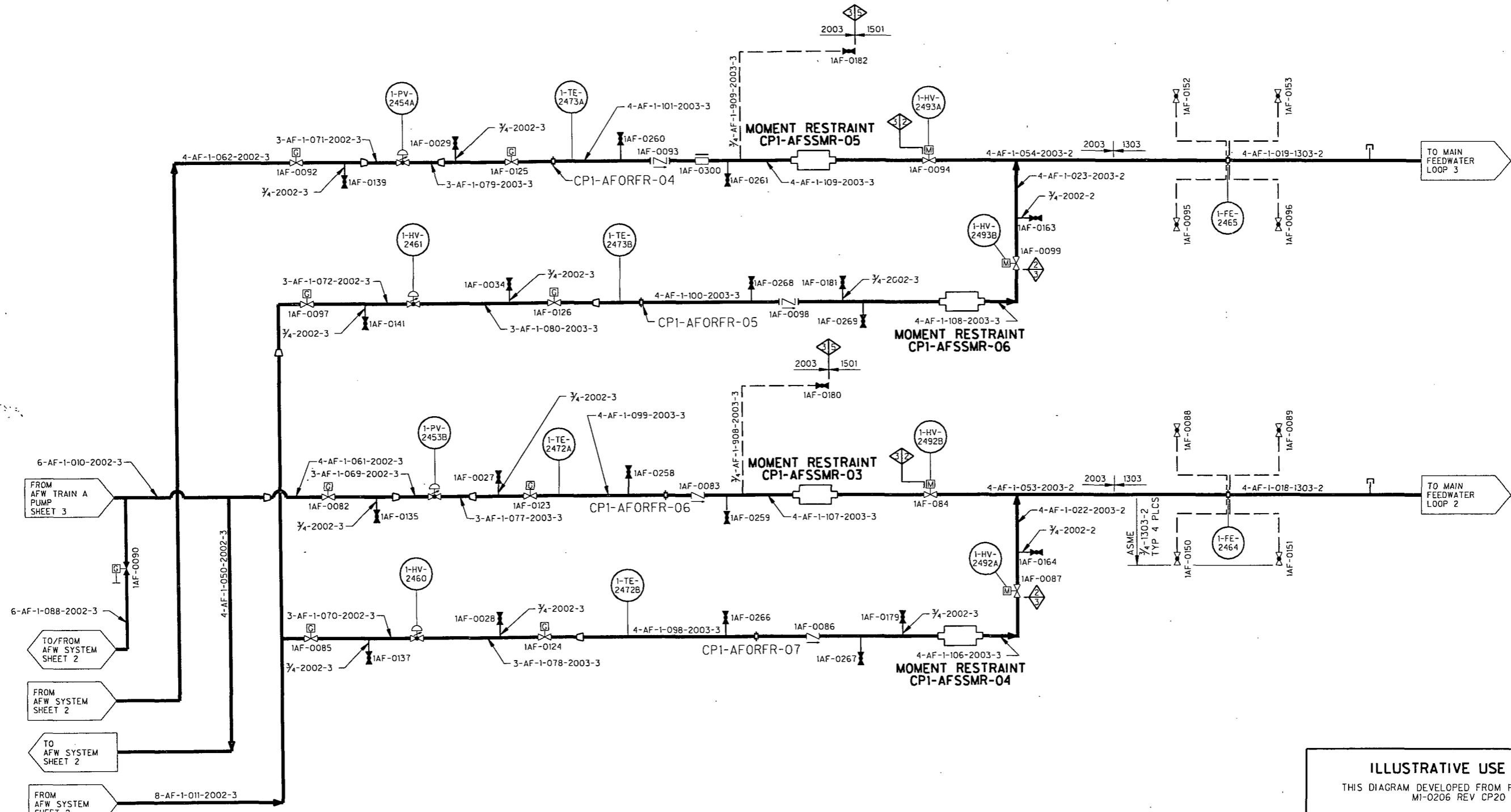
The following summary numbers identify examination items that have been deleted from the Plan based on incorporating RI-ISI for the Auxiliary Feedwater System.

795517	795535	795545	795562
795533	705542	795553	795564

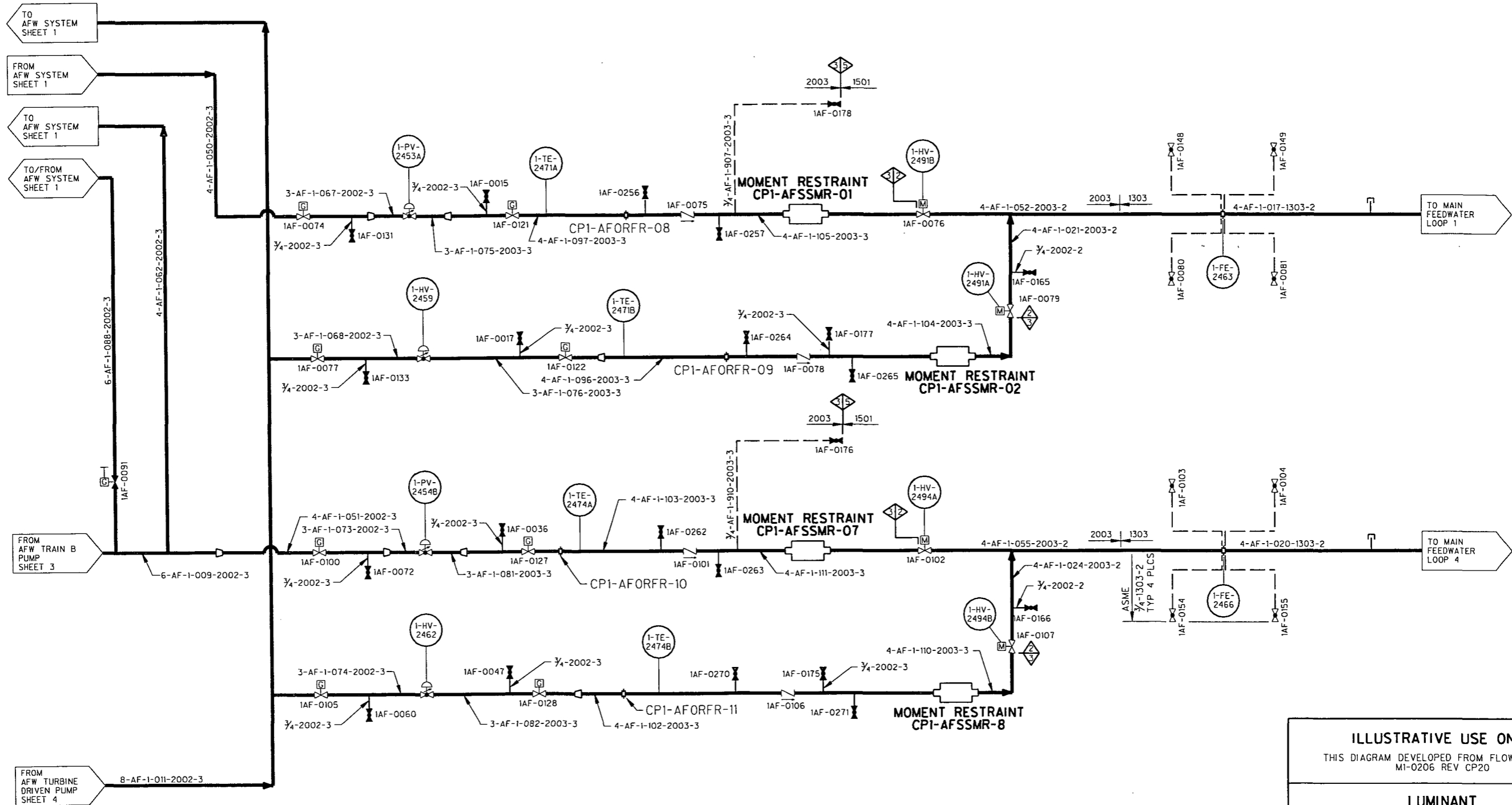
Revision 5 – AFFECTED Summary Numbers:

The following summary numbers identify examinations that have schedule changes, primarily based on changes for 1RF12.

005400	006440	007800	009500
005420	006460	007820	009600
005440	006600	007840	719200
005460	006620	007860	719250
005480	006640	007880	719300
005500	006660	007900	719350
005520	006680	007920	720400
005540	006700	007940	720450
005560	006720	007960	831300
005580	006740	007980	831350
005600	006760	008000	926350
005620	006780	008020	
005640	006800	008040	
005660	006820	008060	
005680	006820	008080	
005600	006840	008100	
005620	006860	008120	
005640	006880	008140	
005660	006900	008160	
005680	006920	008180	
005700	006940	008200	
005720	006960	008220	
005740	006980	008240	
005760	007000	008260	
005780	007020	008280	
005800	007040	008300	
005820	007060	008320	
005840	007080	008340	
005860	007100	008360	
005880	007120	008380	
005900	007140	008400	
005920	007160	008420	
005940	007180	008460	
005960	007200	008480	
005980	007220	008500	
006000	007240	008520	
006020	007260	008540	
006060	007280	008560	
006080	007300	008580	
006100	007320	008600	
006120	007340	008620	
006140	007360	008640	
006160	007380	008660	
006180	007400	008680	
006200	007420	008700	
006220	007440	008720	
006240	007460	008740	
006240	007480	008760	
006260	007500	008780	
006280	007520	008800	
006300	007540	008820	
006320	007560	008840	
006340	007580	008860	
006360	007600		
006380	007620		
006400	007640		
006420	007660		



ILLUSTRATIVE USE ONLY THIS DIAGRAM DEVELOPED FROM FLOW DIAGRAM M1-0206 REV CP20	
LUMINANT CPNPP UNIT 1	
INSERVICE INSPECTION BOUNDARY DIAGRAM	
AUXILIARY FEEDWATER SYSTEM SHEET 1 OF 5	
REV 2	APPROVED:



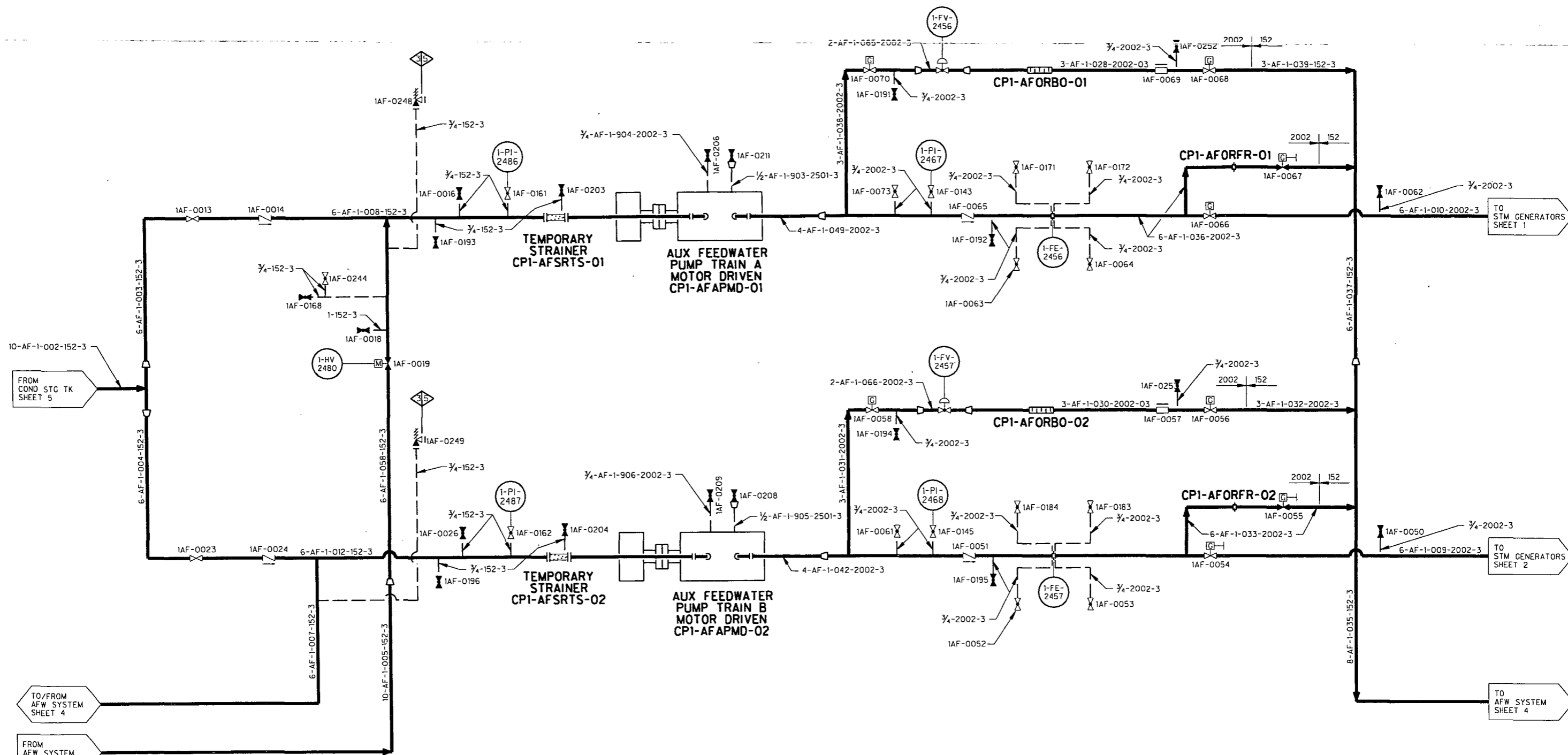
ILLUSTRATIVE USE ONLY
 THIS DIAGRAM DEVELOPED FROM FLOW DIAGRAM
 MI-0206 REV CP20

LUMINANT
 CPNPP UNIT 1

INSERVICE INSPECTION
 BOUNDARY DIAGRAM

AUXILIARY FEEDWATER SYSTEM
 SHEET 2 OF 5

REV 2 APPROVED:



FROM COND STG TK SHEET 5

TO/FROM AFW SYSTEM SHEET 4

FROM AFW SYSTEM SHEET 4

TO STM GENERATORS SHEET 1

TO STM GENERATORS SHEET 2

TO AFW SYSTEM SHEET 4

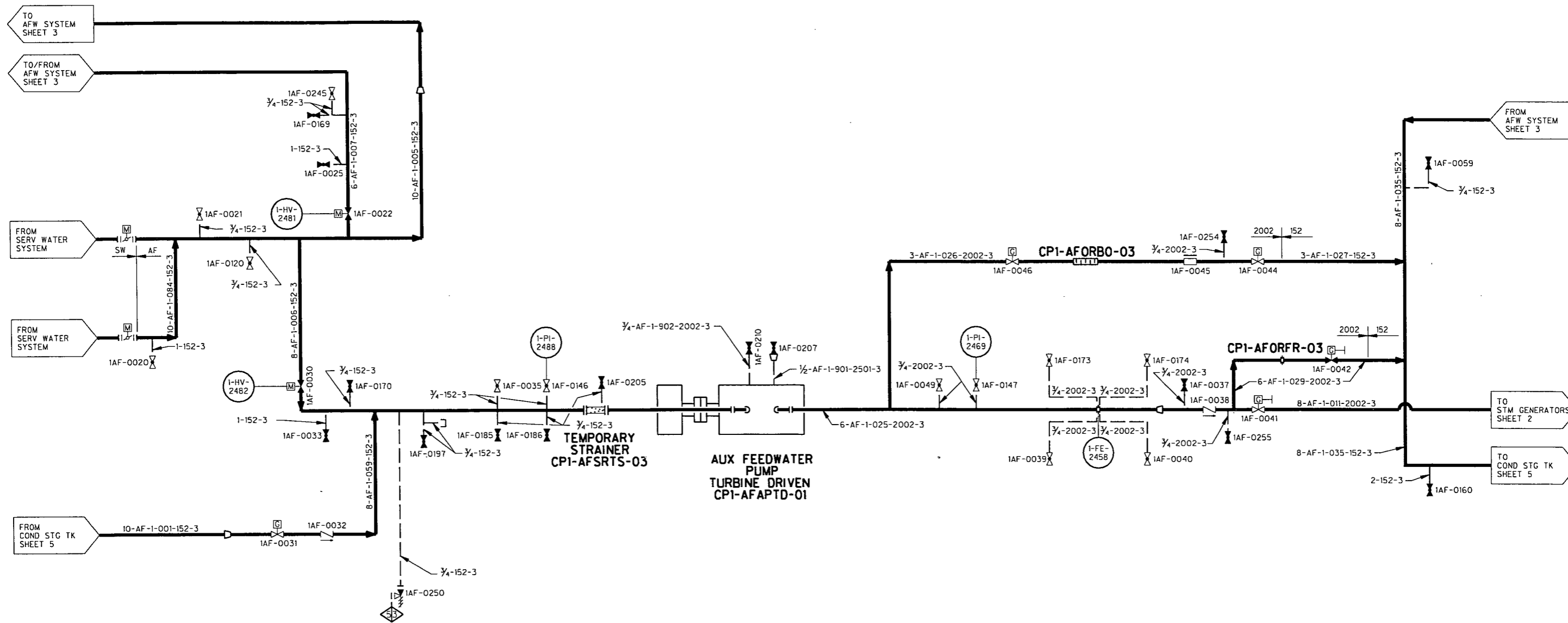
ILLUSTRATIVE USE ONLY
 THIS DIAGRAM DEVELOPED FROM FLOW DIAGRAM
 M1-0206-01 CP14

**LUMINANT
 CPNPP UNIT 1**

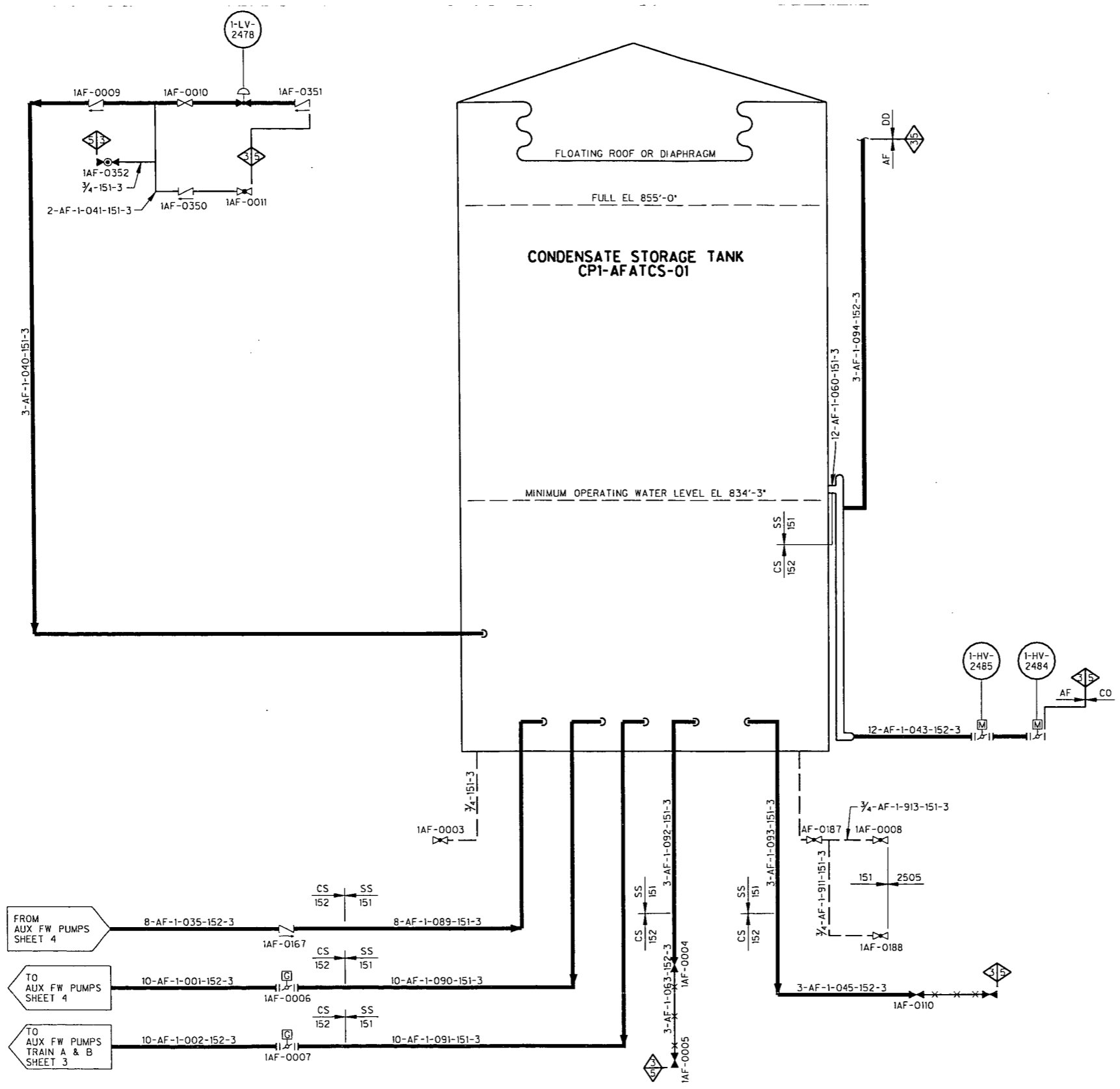
**INSERVICE INSPECTION
 BOUNDARY DIAGRAM**

AUXILIARY FEEDWATER SYSTEM
 SHEET 3 OF 5

REV 2 APPROVED:



ILLUSTRATIVE USE ONLY THIS DIAGRAM DEVELOPED FROM FLOW DIAGRAM M1-0206-01 REV CP14	
LUMINANT CPNPP UNIT 1	
INSERVICE INSPECTION BOUNDARY DIAGRAM	
AUXILIARY FEEDWATER SYSTEM SHEET 4 OF 5	
REV 2	APPROVED:



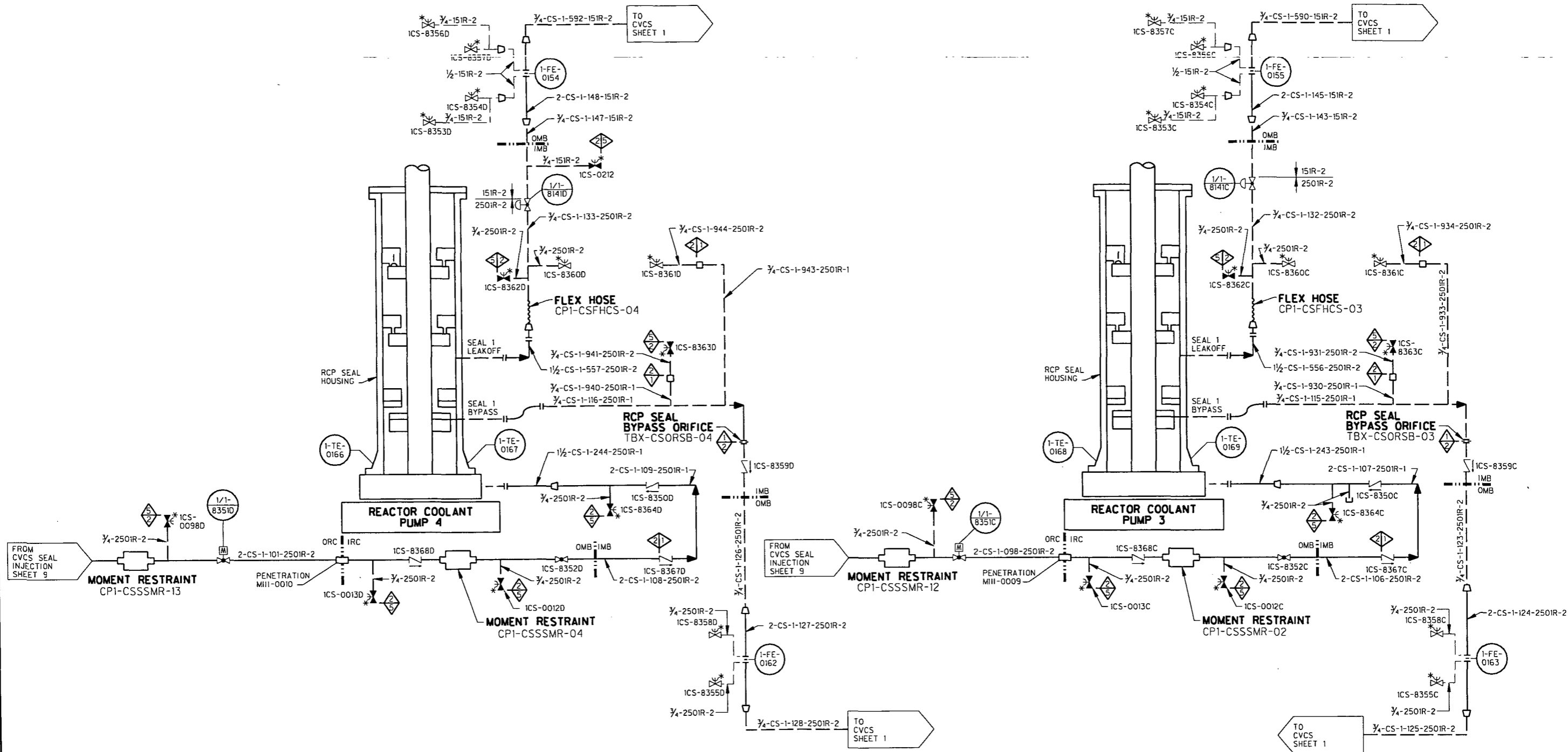
ILLUSTRATIVE USE ONLY
 THIS DIAGRAM DEVELOPED FROM FLOW DIAGRAM
 M1-0206-02 REV CP-19

**LUMINANT
 CPNPP UNIT 1**

**INSERVICE INSPECTION
 BOUNDARY DIAGRAM**

AUXILIARY FEEDWATER SYSTEM
 SHEET 5 OF 5

REV 4 APPROVED:



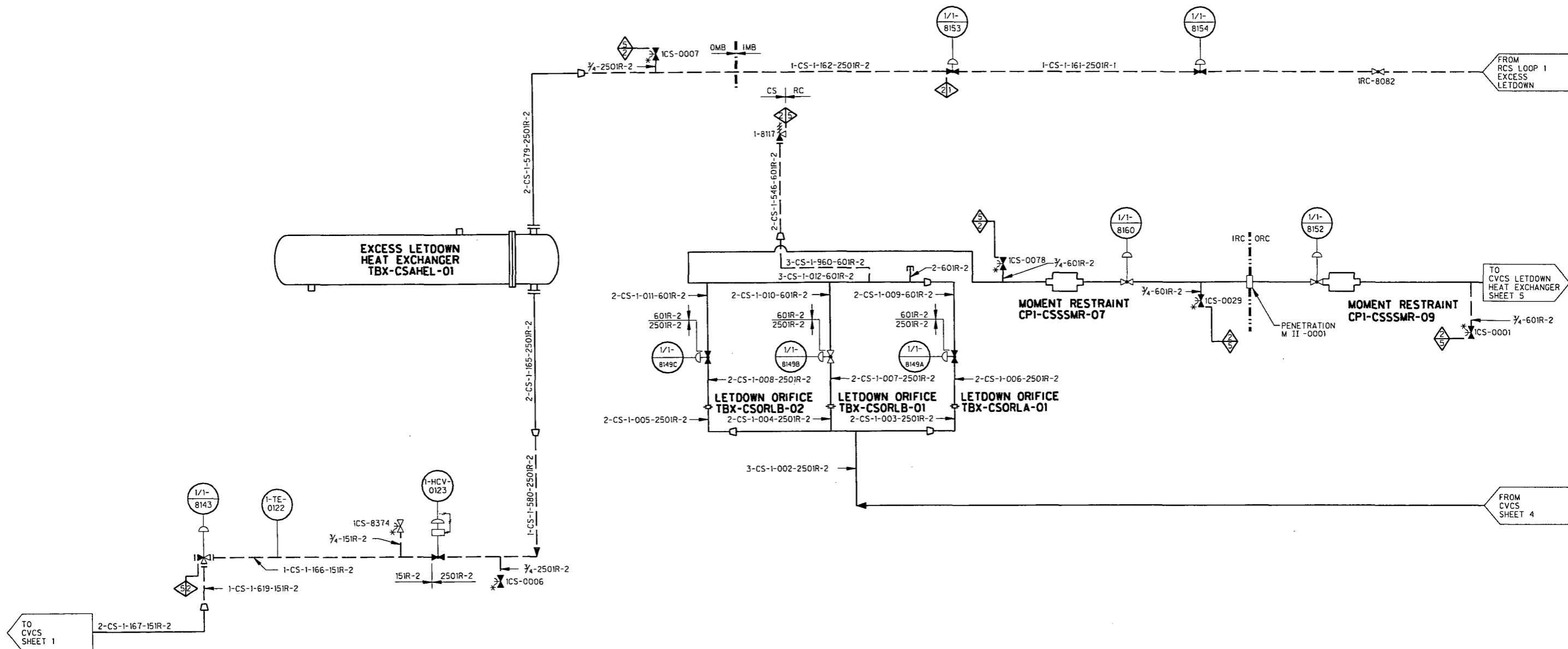
ILLUSTRATIVE USE ONLY
 THIS DIAGRAM DEVELOPED FROM FLOW DIAGRAM
 MI-0253 REV CP-21

**LUMINANT
 CPNPP UNIT 1**

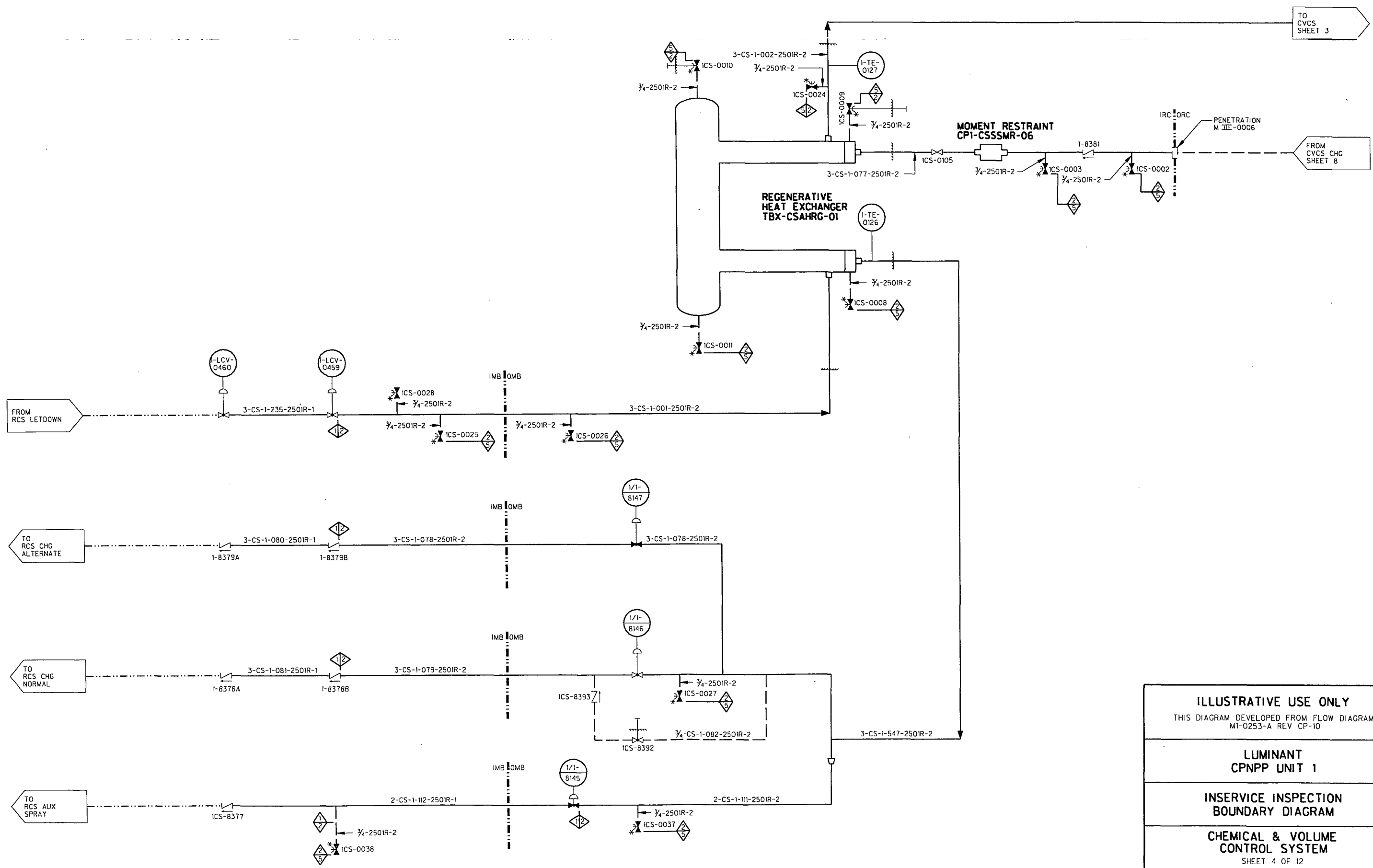
**INSERVICE INSPECTION
 BOUNDARY DIAGRAM**

**CHEMICAL & VOLUME
 CONTROL SYSTEM**
 SHEET 2 OF 12

REV 3 APPROVED:



ILLUSTRATIVE USE ONLY THIS DIAGRAM DEVELOPED FROM FLOW DIAGRAM MI-0253-A REV CP-10	
LUMINANT CPNPP UNIT 1	
INSERVICE INSPECTION BOUNDARY DIAGRAM	
CHEMICAL & VOLUME CONTROL SYSTEM SHEET 3 OF 12	
REV 3	APPROVED:



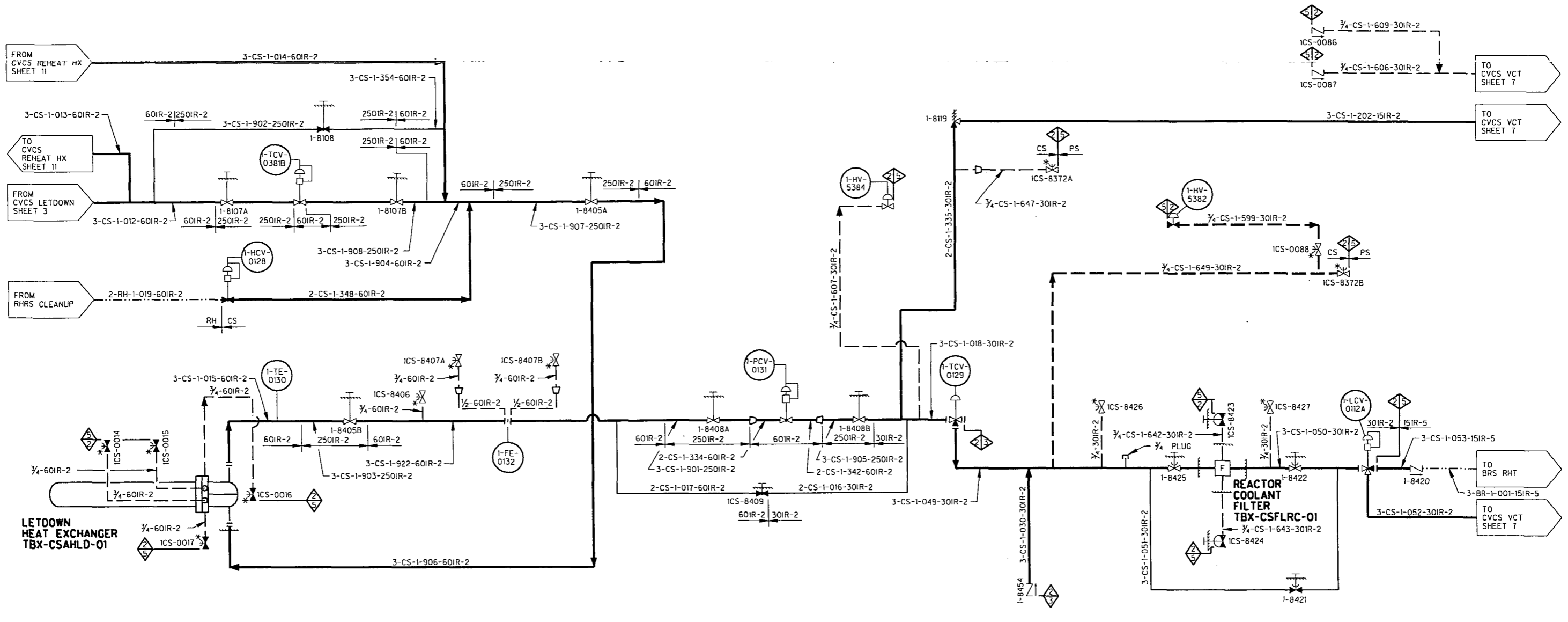
ILLUSTRATIVE USE ONLY
 THIS DIAGRAM DEVELOPED FROM FLOW DIAGRAM
 M1-0253-A REV CP-10

**LUMINANT
 CPNPP UNIT 1**

**INSERVICE INSPECTION
 BOUNDARY DIAGRAM**

**CHEMICAL & VOLUME
 CONTROL SYSTEM**
 SHEET 4 OF 12

REV 2 APPROVED:



ILLUSTRATIVE USE ONLY

THIS DIAGRAM DEVELOPED FROM FLOW DIAGRAM
M1-0254 REV CP25

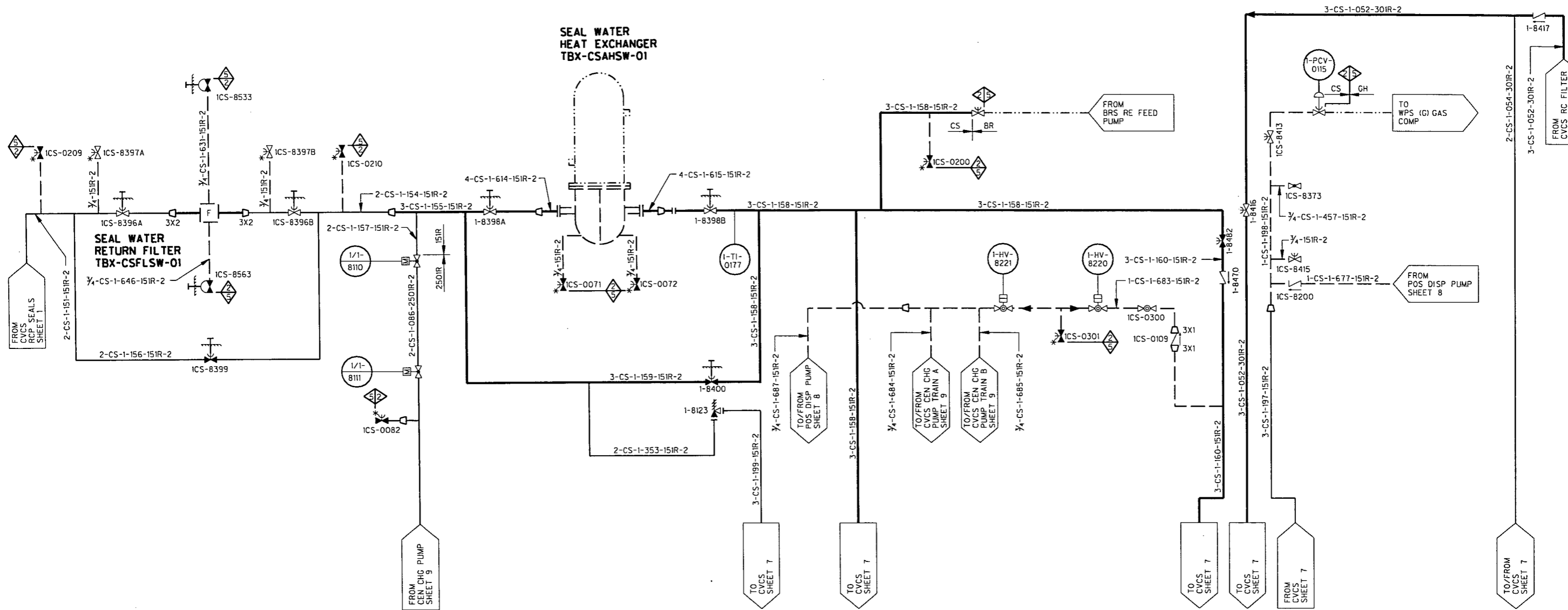
**LUMINANT
CNPP UNIT 1**

**INSERVICE INSPECTION
BOUNDARY DIAGRAM**

**CHEMICAL & VOLUME
CONTROL SYSTEM**

SHEET 5 OF 12

REV 2 APPROVED:



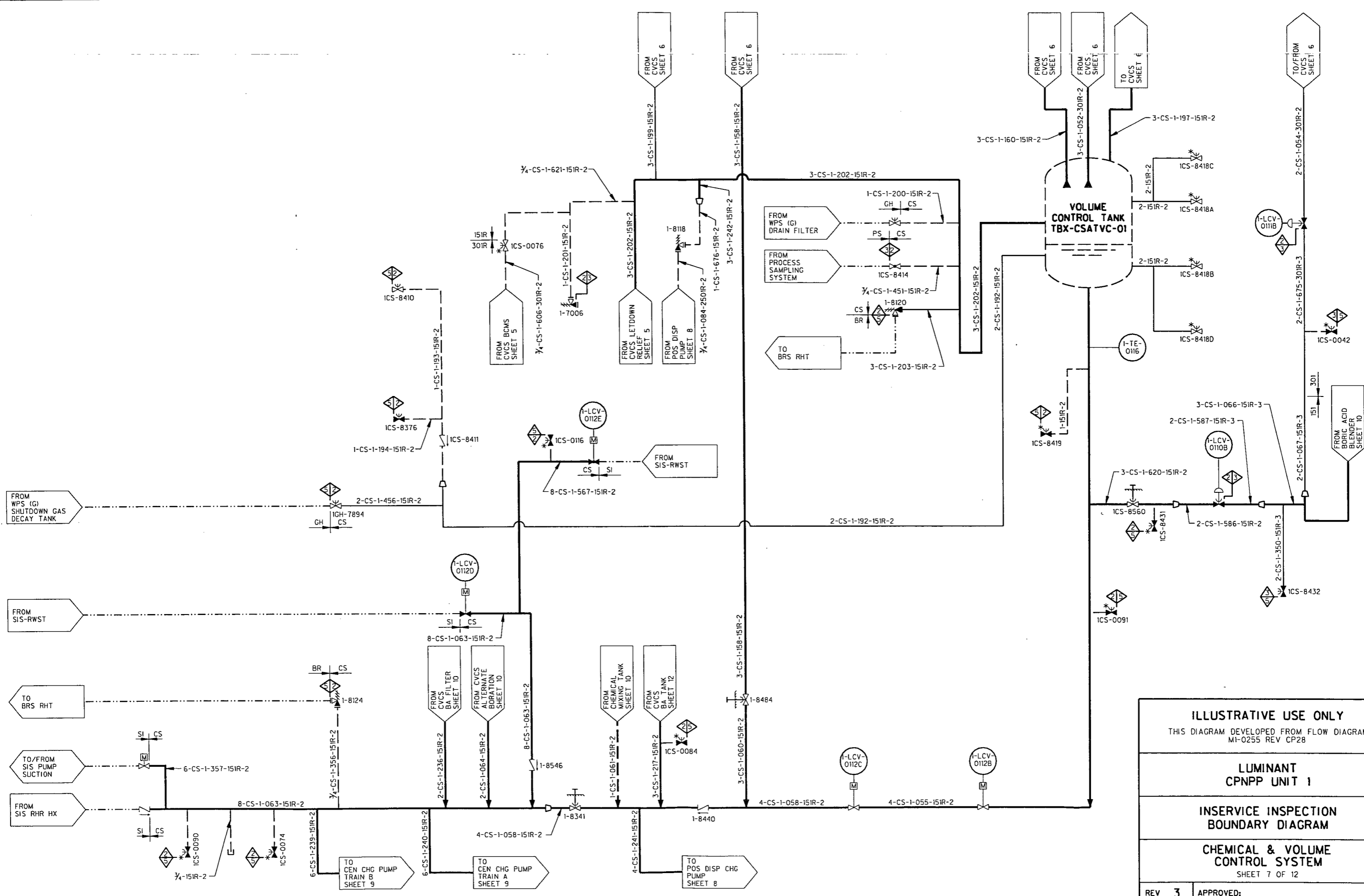
ILLUSTRATIVE USE ONLY
 THIS DIAGRAM DEVELOPED FROM FLOW DIAGRAM
 M1-0255 REV CP28

**LUMINANT
 CPNPP UNIT 1**

**INSERVICE INSPECTION
 BOUNDARY DIAGRAM**

**CHEMICAL & VOLUME
 CONTROL SYSTEM**
 SHEET 6 OF 12

REV 2 APPROVED:



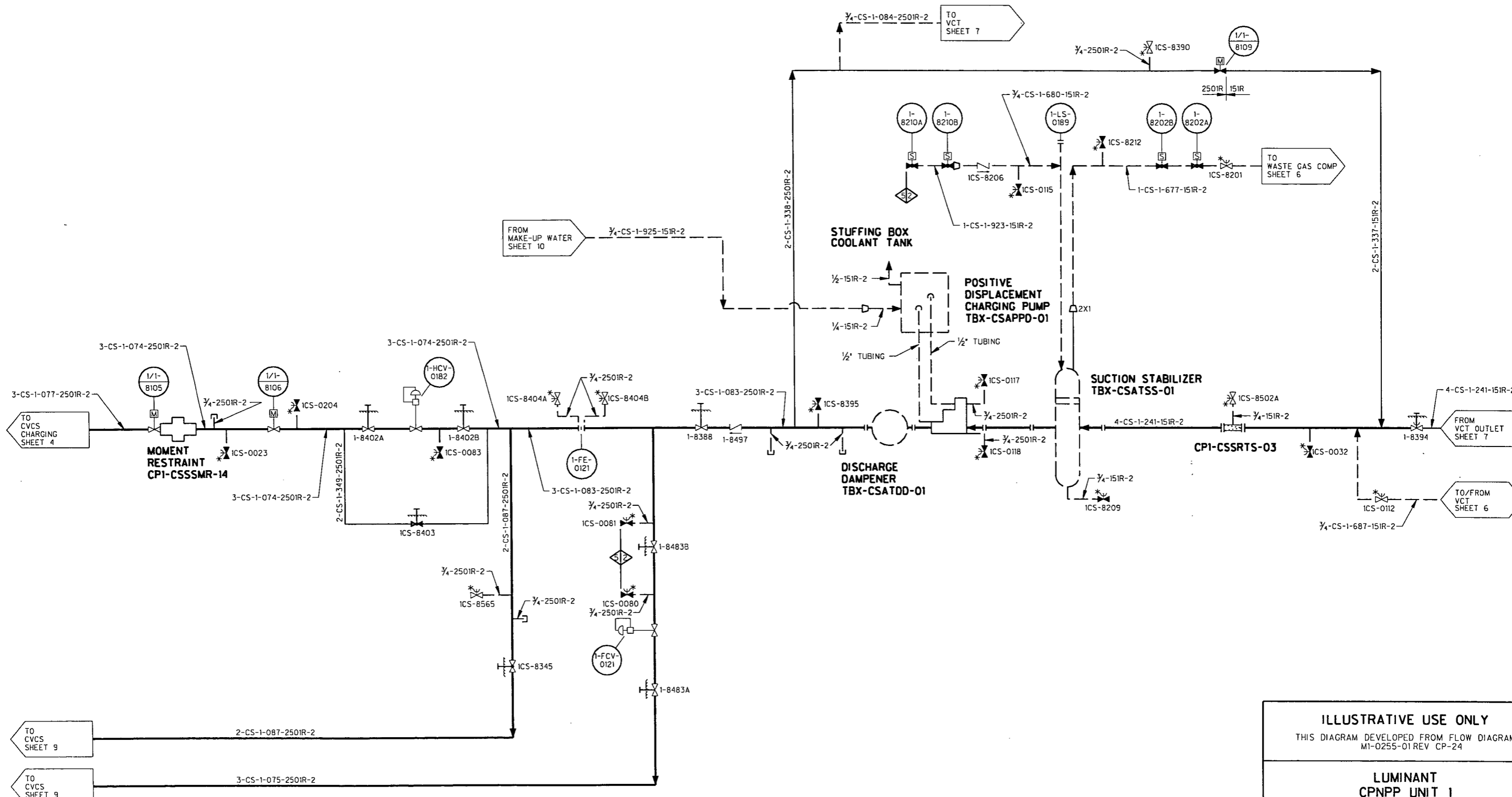
ILLUSTRATIVE USE ONLY
 THIS DIAGRAM DEVELOPED FROM FLOW DIAGRAM
 MI-0255 REV CP28

**LUMINANT
 CPNPP UNIT 1**

**INSERVICE INSPECTION
 BOUNDARY DIAGRAM**

**CHEMICAL & VOLUME
 CONTROL SYSTEM**
 SHEET 7 OF 12

REV 3 APPROVED:



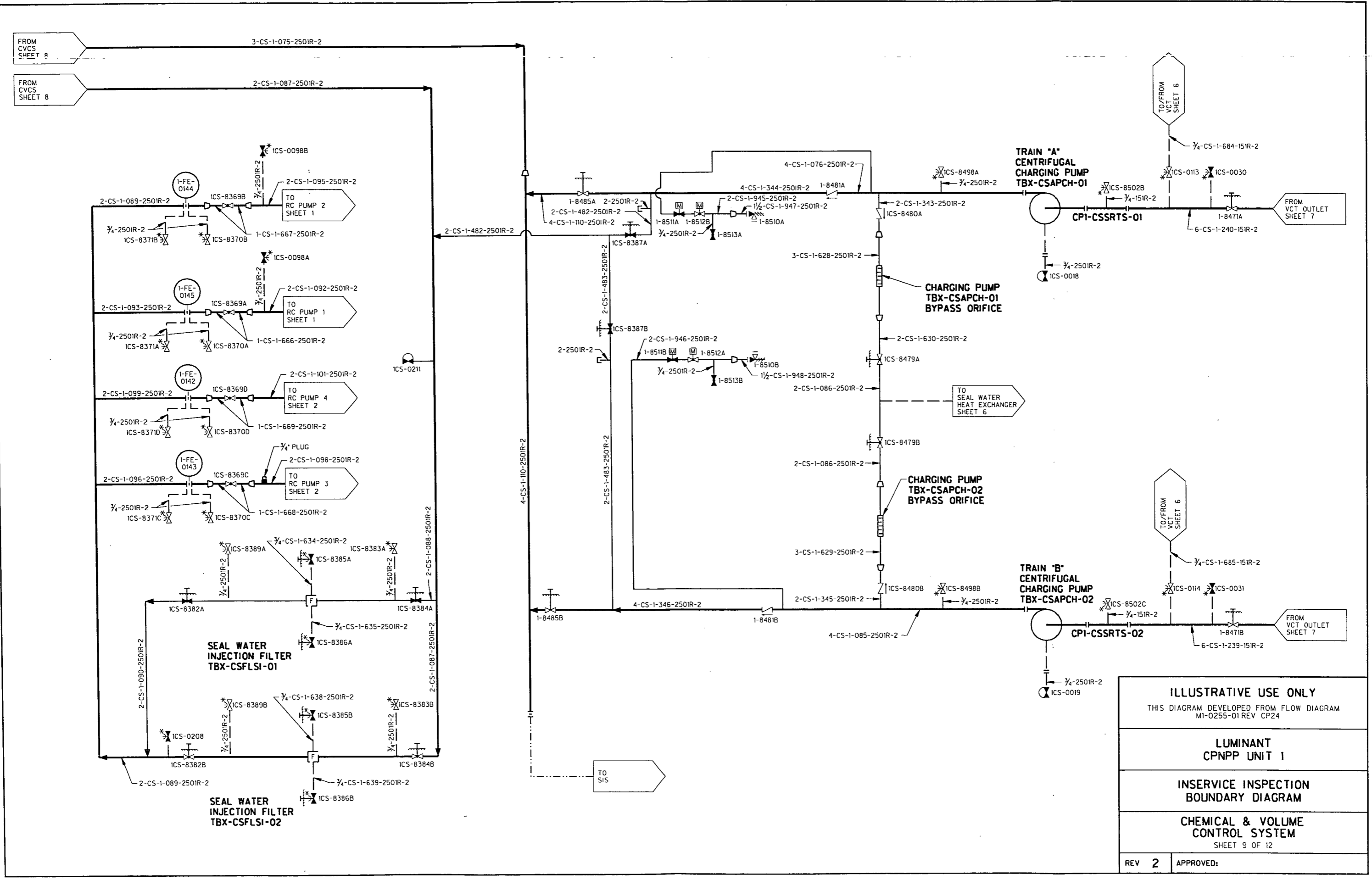
ILLUSTRATIVE USE ONLY
 THIS DIAGRAM DEVELOPED FROM FLOW DIAGRAM
 M1-0255-01 REV CP-24

**LUMINANT
 CPNPP UNIT 1**

**INSERVICE INSPECTION
 BOUNDARY DIAGRAM**

**CHEMICAL & VOLUME
 CONTROL SYSTEM**
 SHEET 8 OF 12

REV 2 APPROVED:



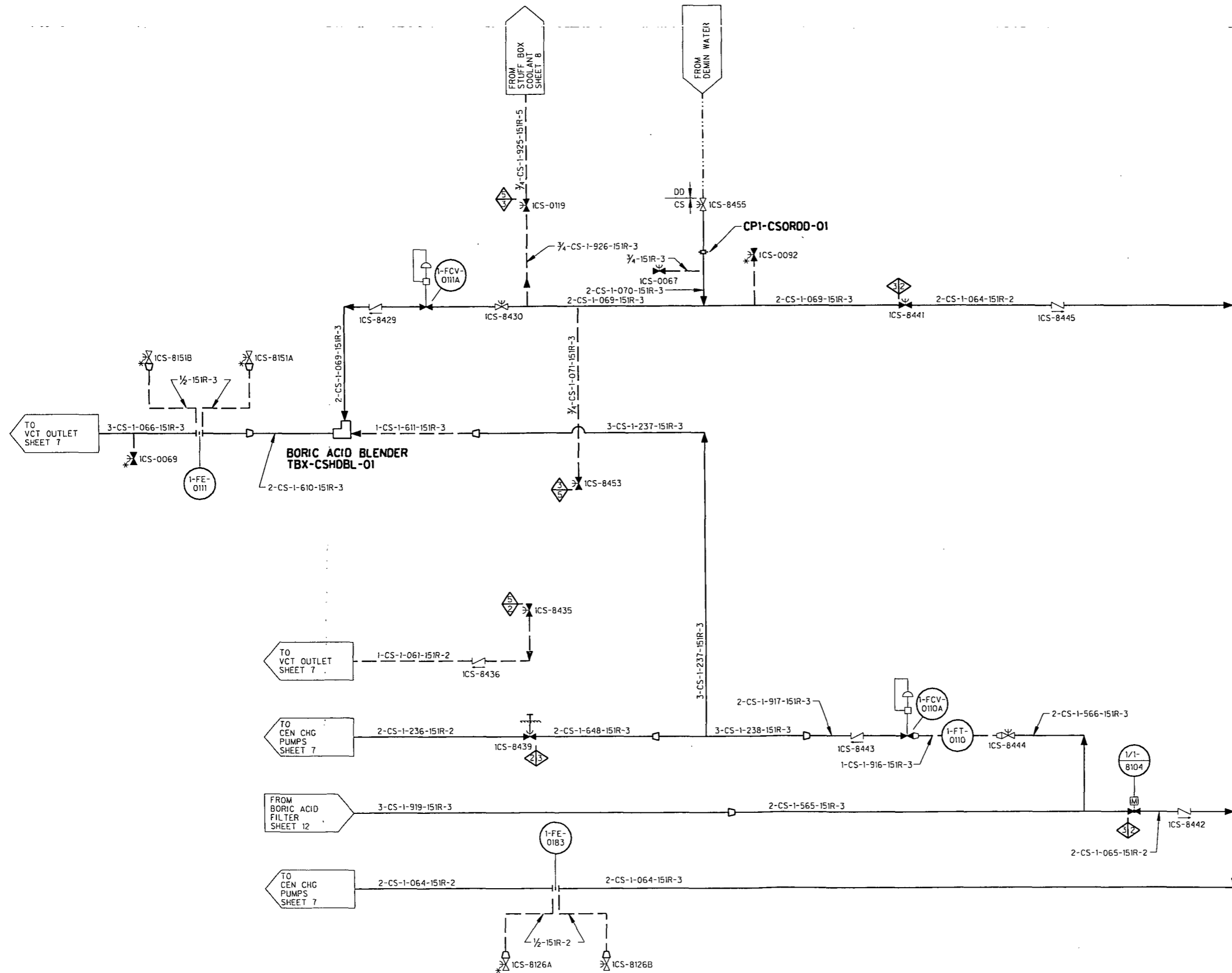
ILLUSTRATIVE USE ONLY
 THIS DIAGRAM DEVELOPED FROM FLOW DIAGRAM
 M1-0255-01 REV CP24

**LUMINANT
 CPNPP UNIT 1**

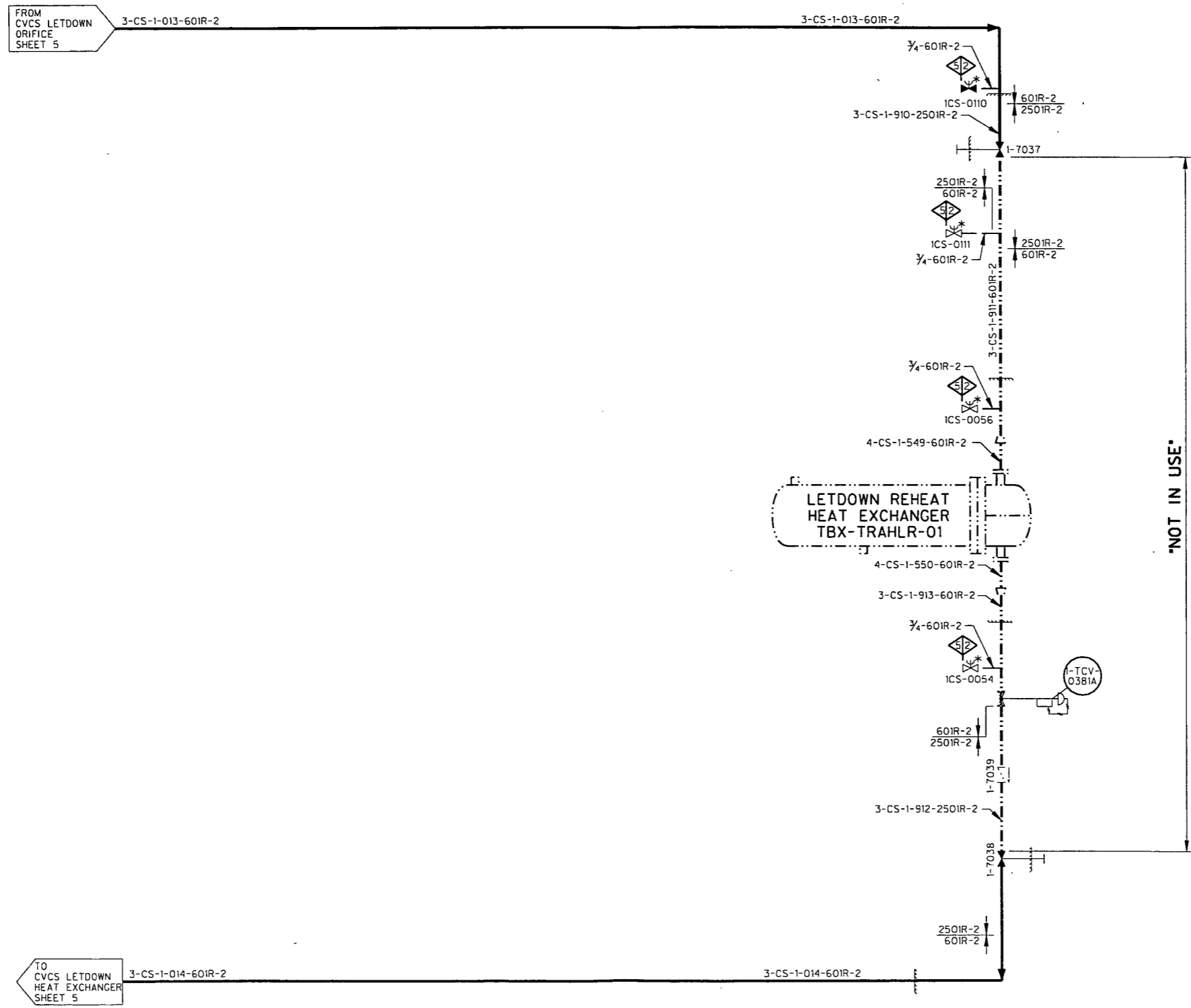
**INSERVICE INSPECTION
 BOUNDARY DIAGRAM**

**CHEMICAL & VOLUME
 CONTROL SYSTEM**
 SHEET 9 OF 12

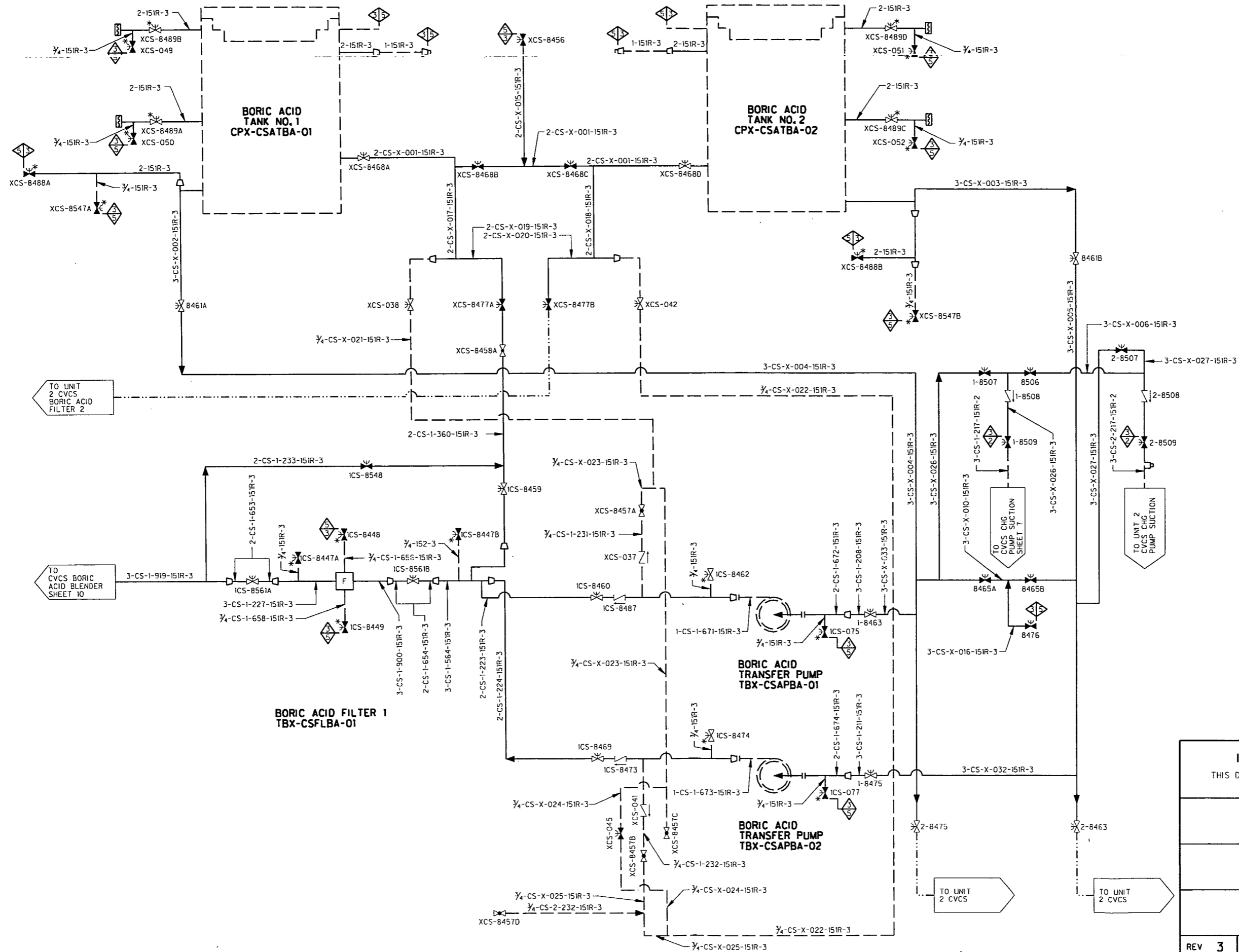
REV 2 APPROVED:



ILLUSTRATIVE USE ONLY THIS DIAGRAM DEVELOPED FROM FLOW DIAGRAM M1-0255-02 REV CP14	
LUMINANT CPNPP UNIT 1	
INSERVICE INSPECTION BOUNDARY DIAGRAM	
CHEMICAL & VOLUME CONTROL SYSTEM SHEET 10 OF 12	
REV 4	APPROVED:



ILLUSTRATIVE USE ONLY THIS DIAGRAM DEVELOPED FROM FLOW DIAGRAM MI-0256-A REV CP-18	
LUMINANT CPNPP UNIT 1	
INSERVICE INSPECTION BOUNDARY DIAGRAM	
CHEMICAL & VOLUME CONTROL SYSTEM SHEET 11 OF 12	
REV 3	APPROVED:



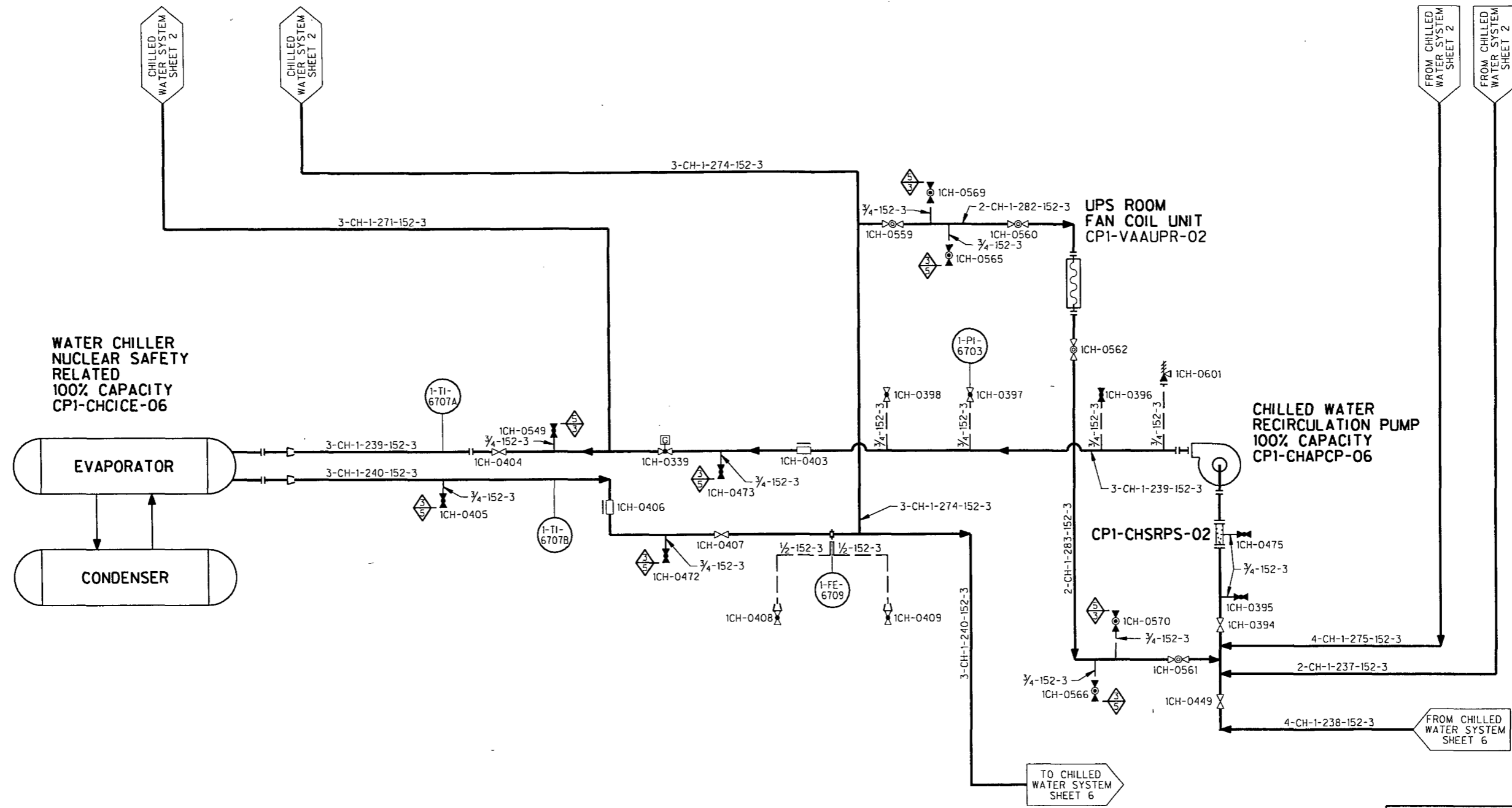
ILLUSTRATIVE USE ONLY
 THIS DIAGRAM DEVELOPED FROM FLOW DIAGRAM
 MI-0257 REV CP-31

**LUMINANT
 CPNPP UNIT 1**

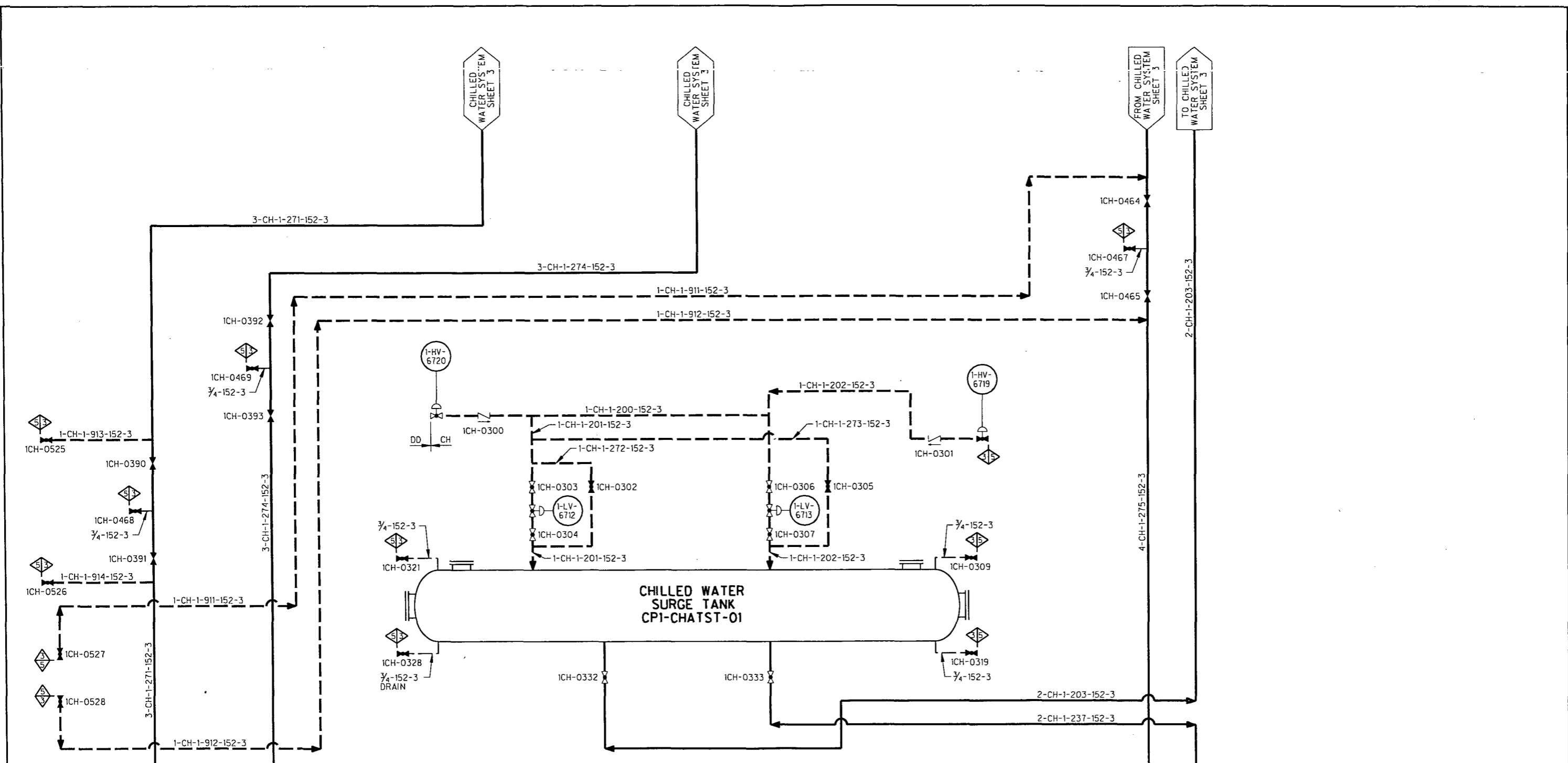
**INSERVICE INSPECTION
 BOUNDARY DIAGRAM**

**CHEMICAL & VOLUME
 CONTROL SYSTEM**
 SHEET 12 OF 12

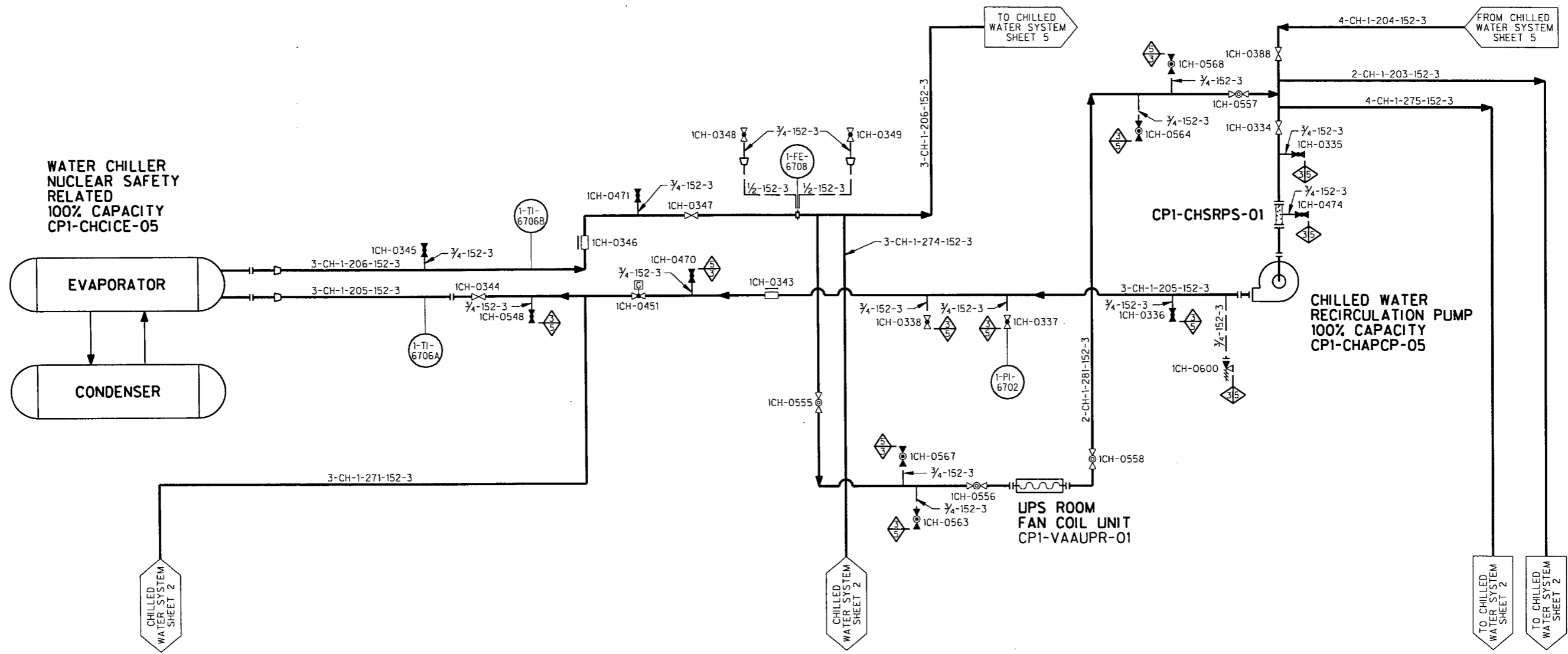
REV 3 APPROVED:



ILLUSTRATIVE USE ONLY THIS DIAGRAM DEVELOPED FROM FLOW DIAGRAM M1-0311 REV CP-30	
LUMINANT CPNPP UNIT 1	
INSERVICE INSPECTION BOUNDARY DIAGRAM	
CHILLED WATER SYSTEM SHEET 1 OF 7	
REV 3	APPROVED:



ILLUSTRATIVE USE ONLY THIS DIAGRAM DEVELOPED FROM FLOW DIAGRAM M1-0311 REV CP-30	
LUMINANT CPNPP UNIT 1	
INSERVICE INSPECTION BOUNDARY DIAGRAM	
CHILLED WATER SYSTEM SHEET 2 OF 7	
REV 2	APPROVED:



ILLUSTRATIVE USE ONLY
 THIS DIAGRAM DEVELOPED FROM FLOW DIAGRAM
 M1-0311 REV CP-30

**LUMINANT
 CPNPP UNIT 1**

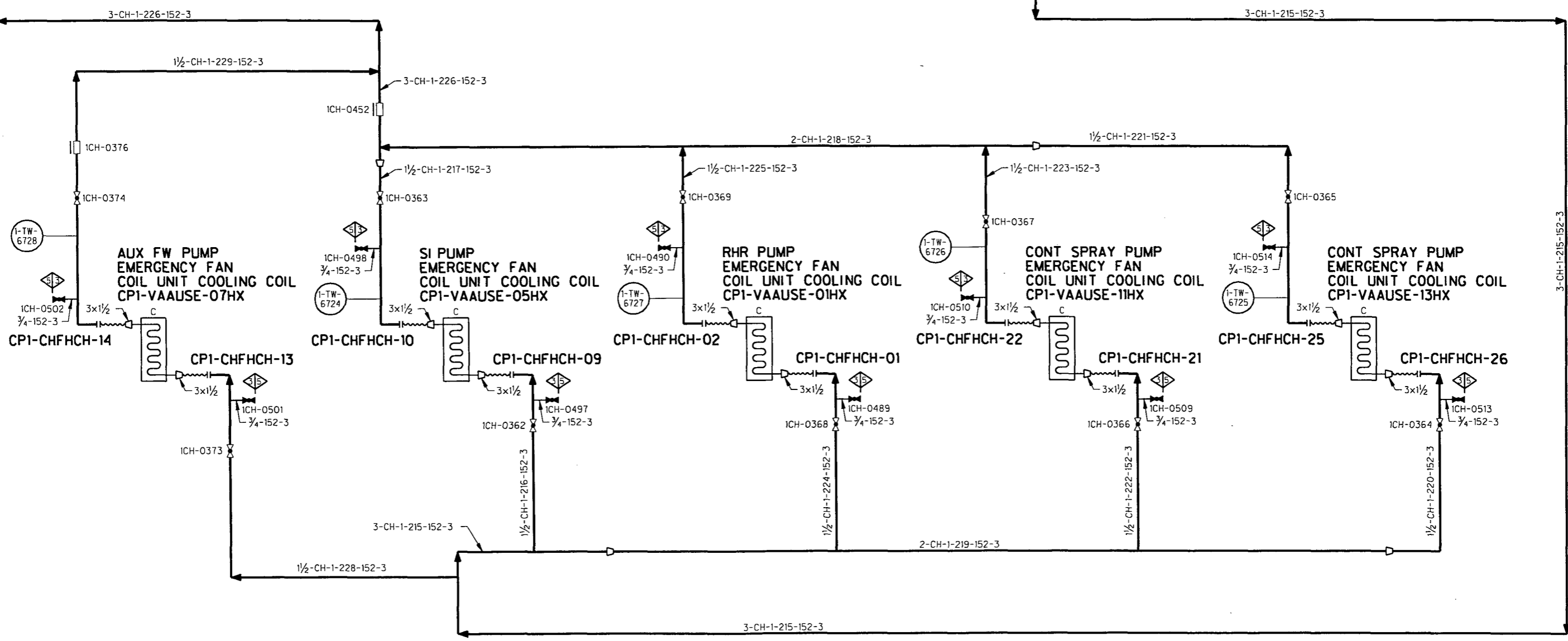
**INSERVICE INSPECTION
 BOUNDARY DIAGRAM**

CHILLED WATER SYSTEM
 SHEET 3 OF 7

REV 3 APPROVED:

TO CHILLED WATER SYSTEM SHEET 5

FROM PHILLED WATER SYSTEM SHEET 5



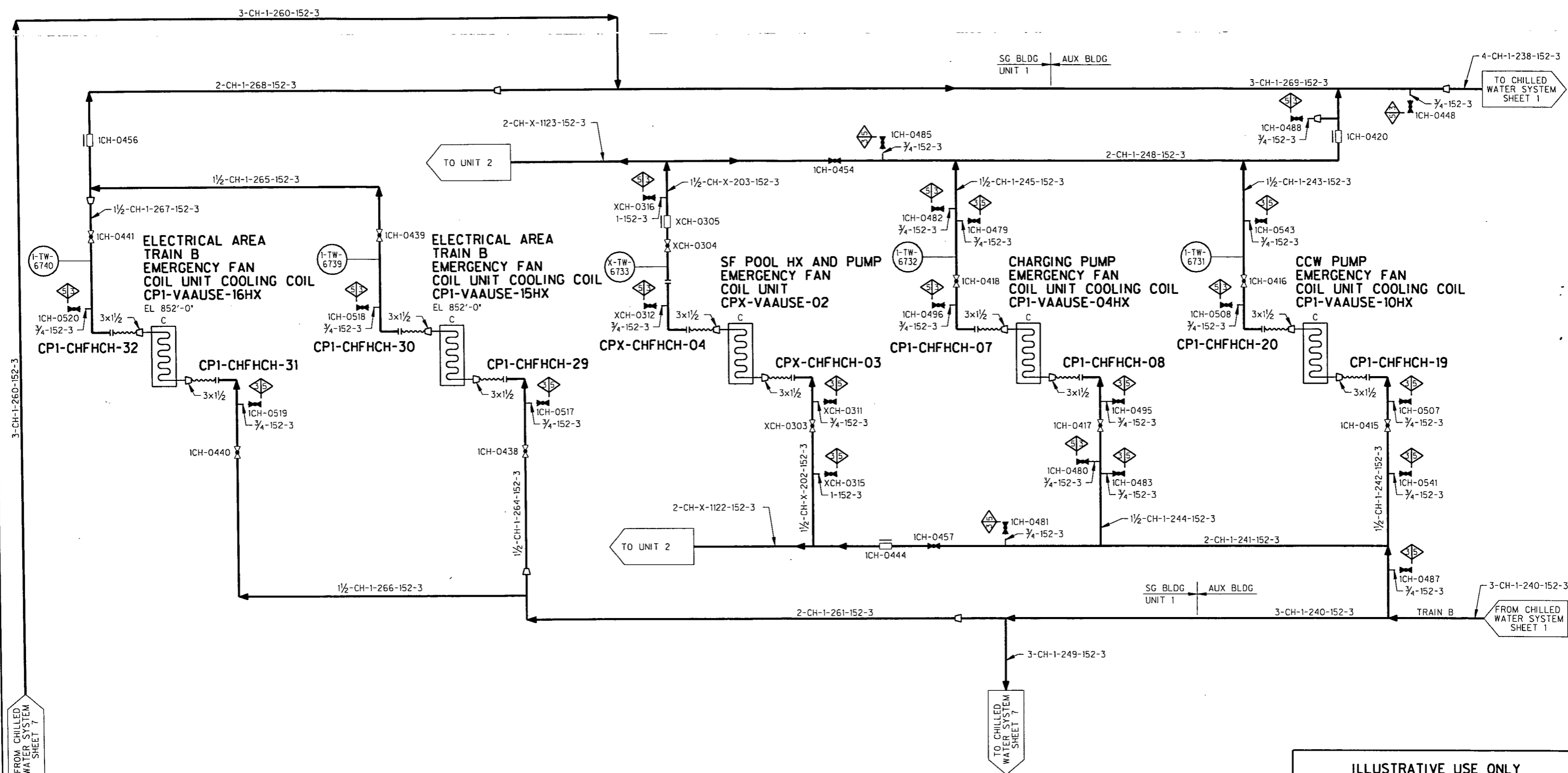
ILLUSTRATIVE USE ONLY
 THIS DIAGRAM DEVELOPED FROM FLOW DIAGRAM
 M1-0311-A REV CP-11

**LUMINANT
 CPNPP UNIT 1**

**INSERVICE INSPECTION
 BOUNDARY DIAGRAM**

CHILLED WATER SYSTEM
 SHEET 4 OF 7

REV 2 APPROVED:



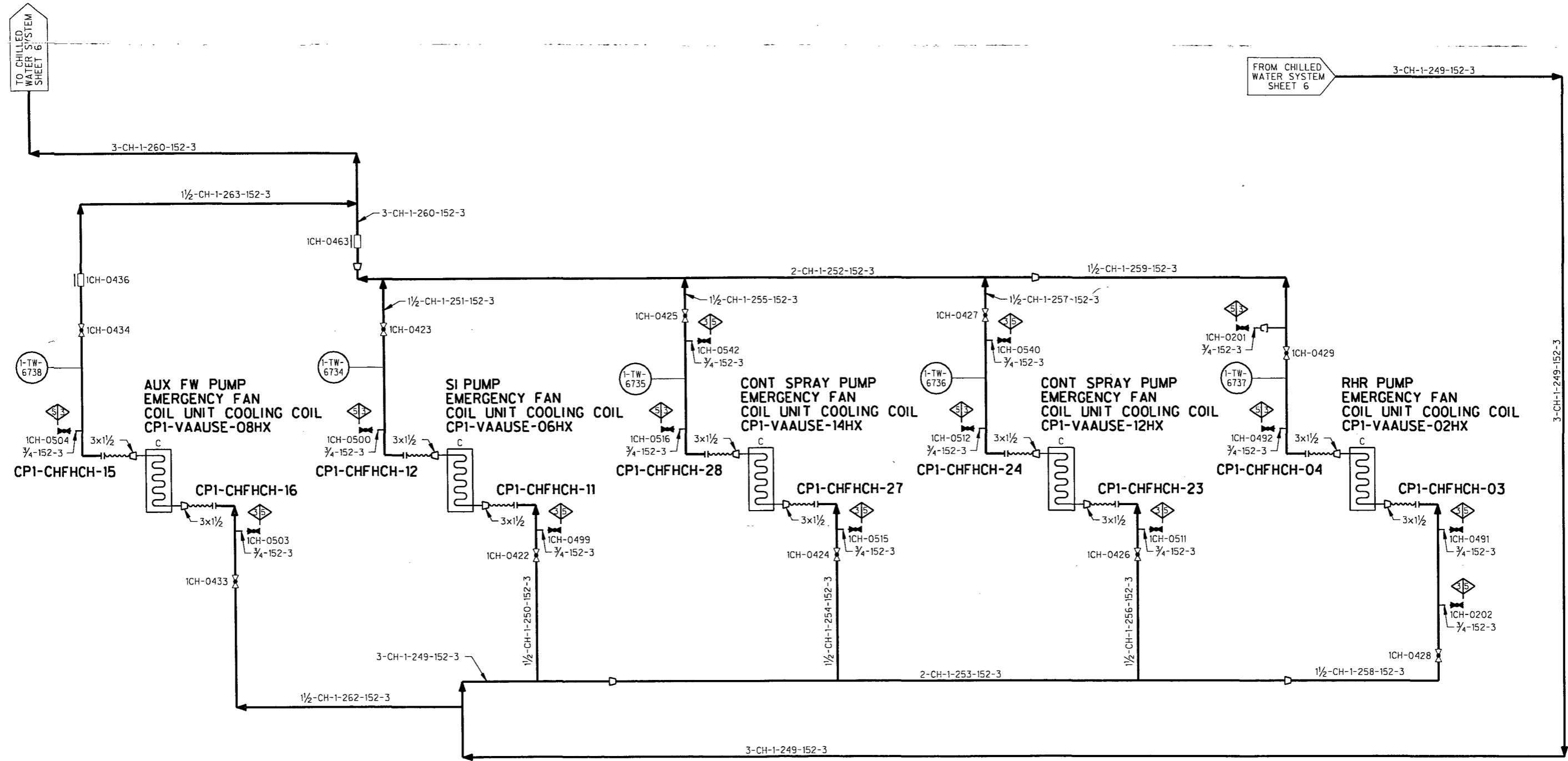
ILLUSTRATIVE USE ONLY
 THIS DIAGRAM DEVELOPED FROM FLOW DIAGRAM
 MI-0311-B REV CP-9

**LUMINANT
 CPNPP UNIT 1**

**INSERVICE INSPECTION
 BOUNDARY DIAGRAM**

CHILLED WATER SYSTEM
 SHEET 6 OF 7

REV 3 APPROVED:



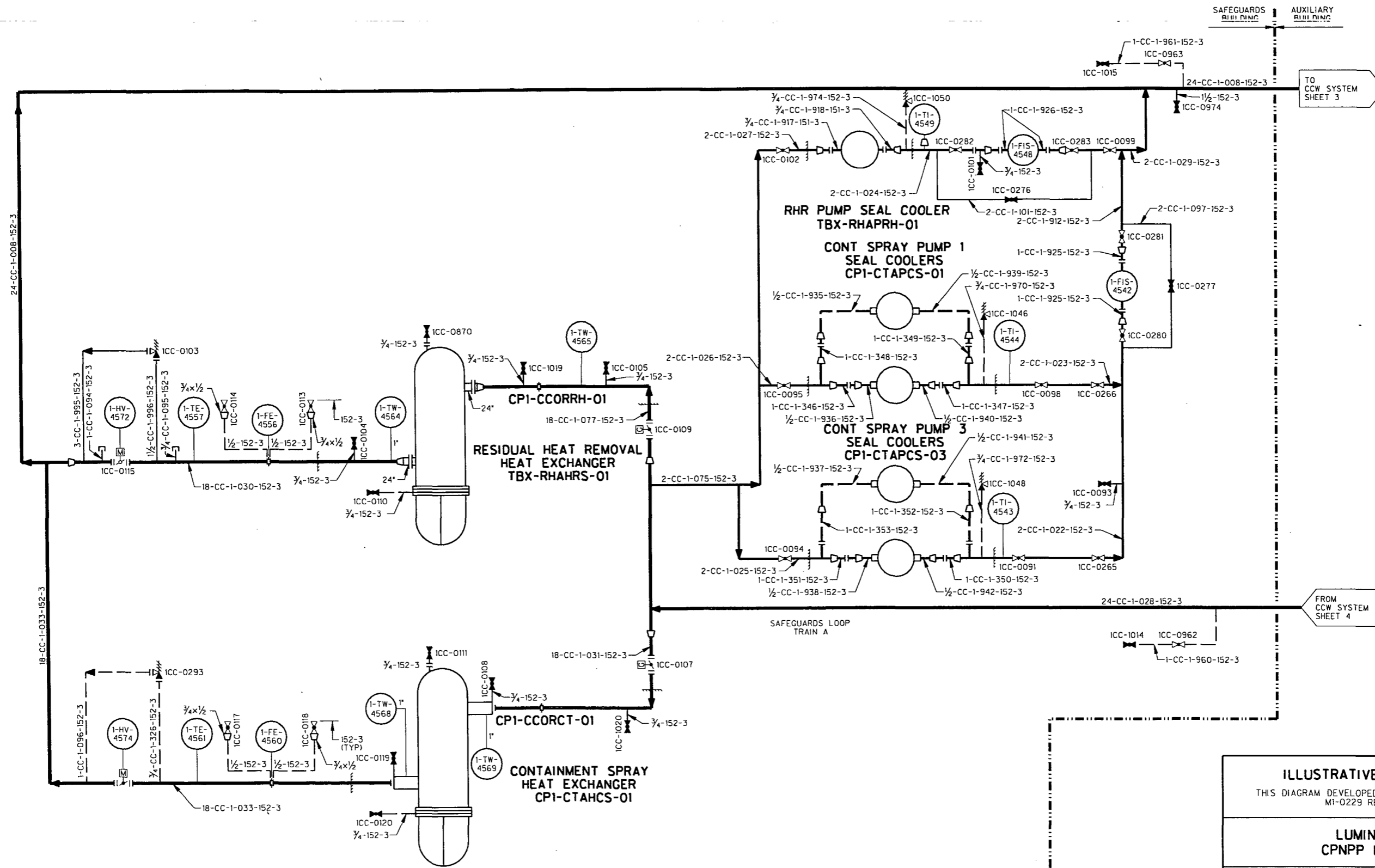
ILLUSTRATIVE USE ONLY
 THIS DIAGRAM DEVELOPED FROM FLOW DIAGRAM
 M1-0311-B REV CP-9

**LUMINANT
 CPNPP UNIT 1**

**INSERVICE INSPECTION
 BOUNDARY DIAGRAM**

CHILLED WATER SYSTEM
 SHEET 7 OF 7

REV 2 APPROVED:



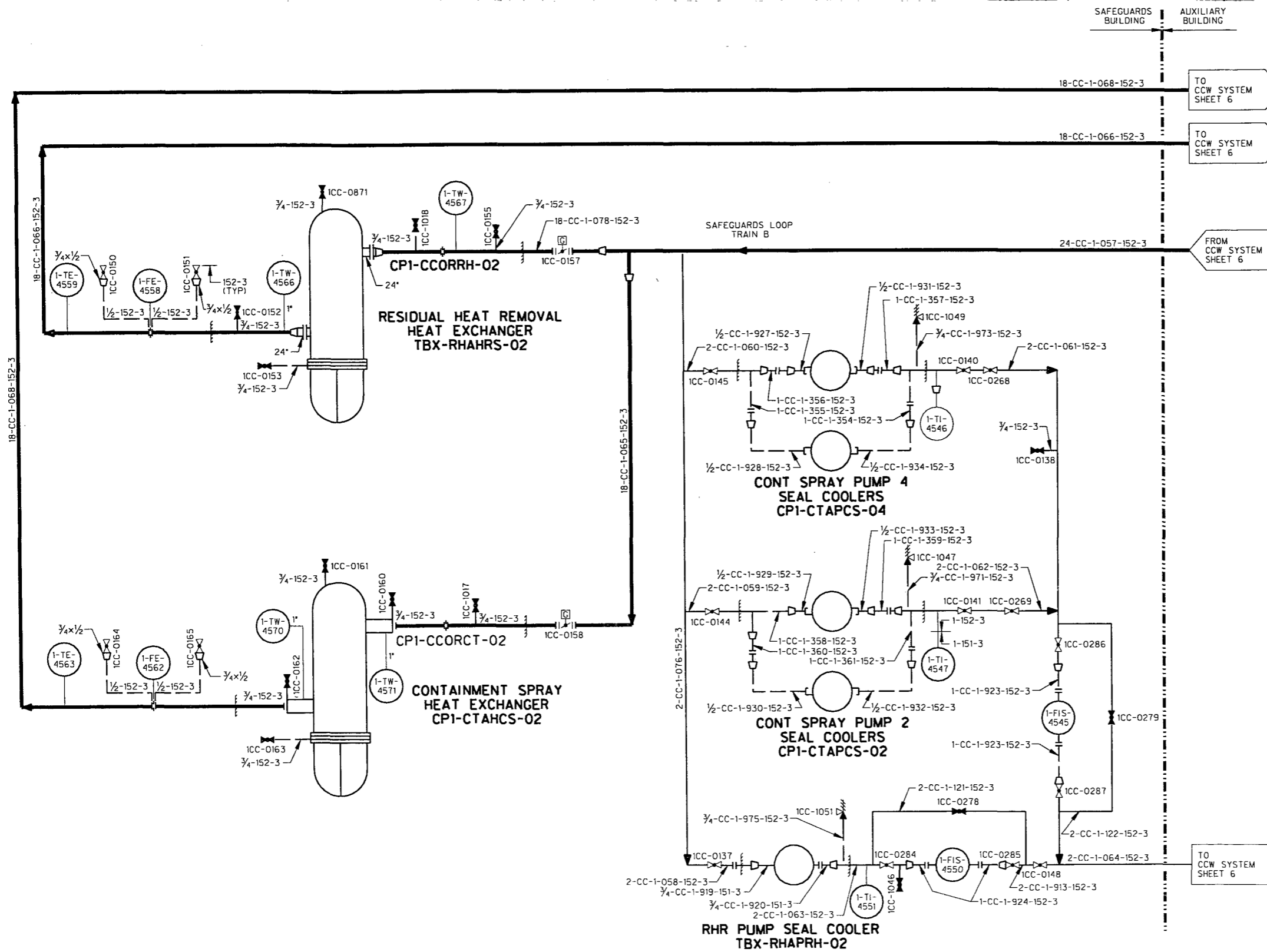
ILLUSTRATIVE USE ONLY
 THIS DIAGRAM DEVELOPED FROM FLOW DIAGRAM
 M1-0229 REV CP-22

LUMINANT
 CPNPP UNIT 1

INSERVICE INSPECTION
 BOUNDARY DIAGRAM

COMPONENT COOLING
 WATER SYSTEM
 SHEET 1 OF 12

REV 2 APPROVED:



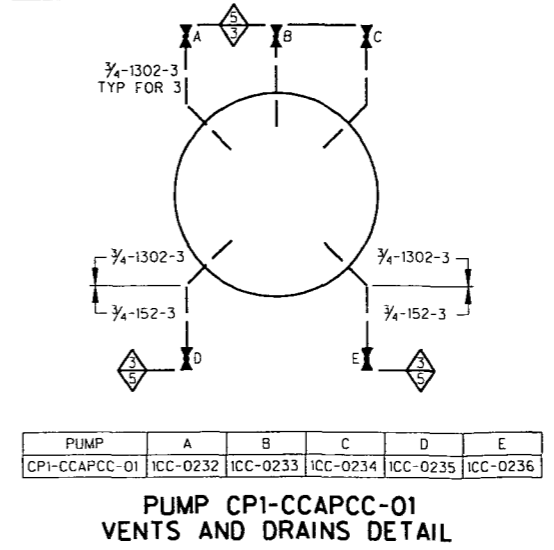
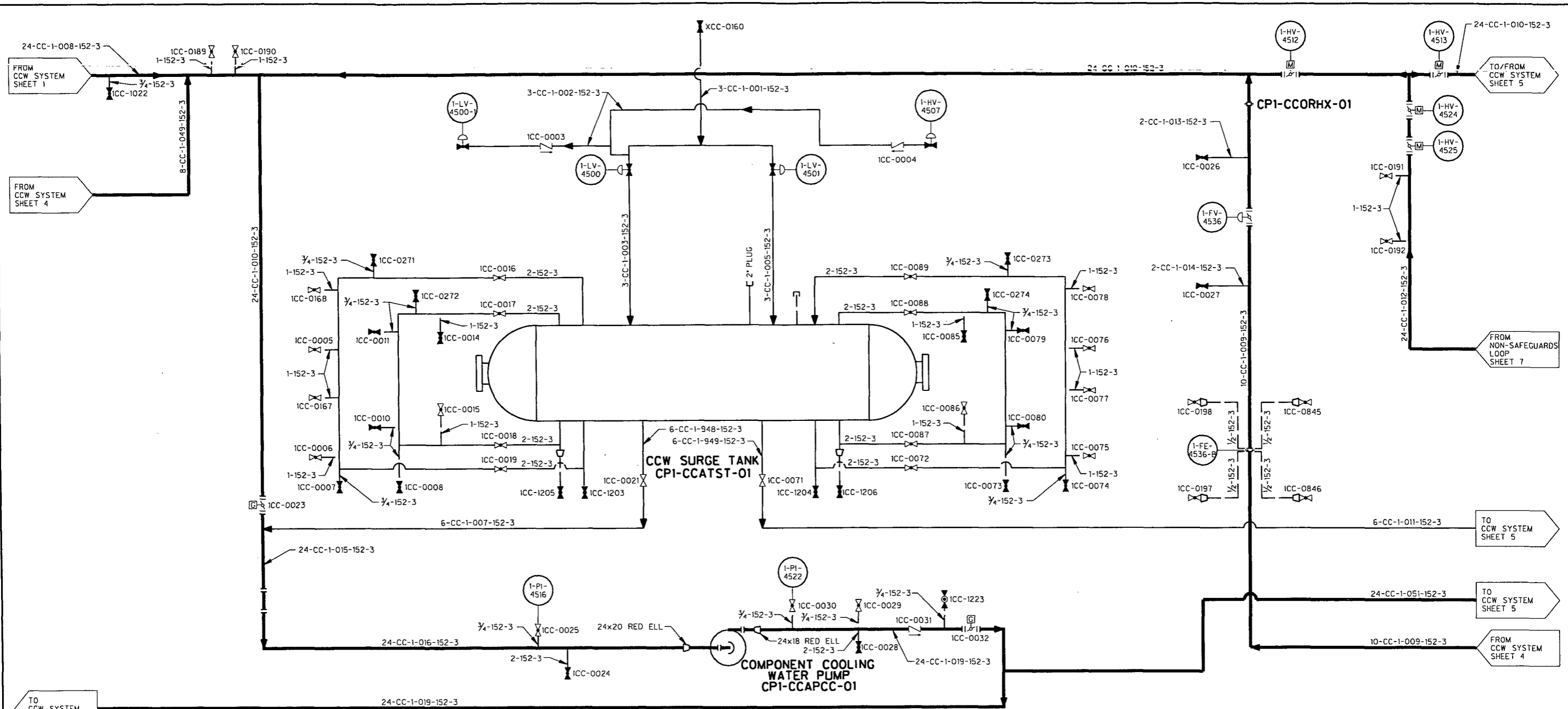
ILLUSTRATIVE USE ONLY
 THIS DIAGRAM DEVELOPED FROM FLOW DIAGRAM
 MI-0229 REV CP-22

**LUMINANT
 CPNPP UNIT 1**

**INSERVICE INSPECTION
 BOUNDARY DIAGRAM**

**COMPONENT COOLING
 WATER SYSTEM**
 SHEET 2 OF 12

REV 2 APPROVED:



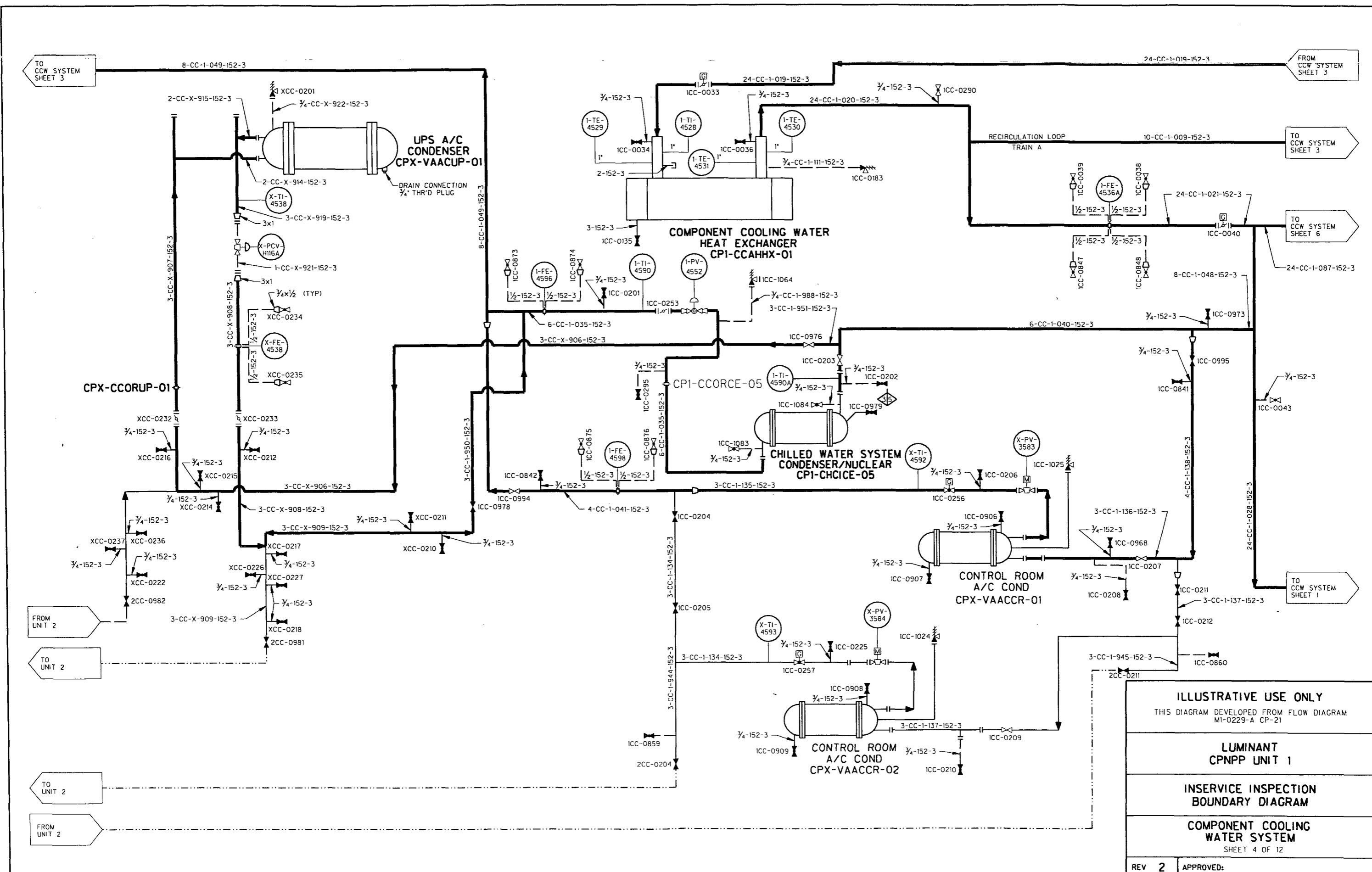
ILLUSTRATIVE USE ONLY
 THIS DIAGRAM DEVELOPED FROM FLOW DIAGRAM
 M1-0229-A CP-21

LUMINANT
 CPNPP UNIT 1

INSERVICE INSPECTION
 BOUNDARY DIAGRAM

COMPONENT COOLING
 WATER SYSTEM
 SHEET 3 OF 12

REV 4 APPROVED:



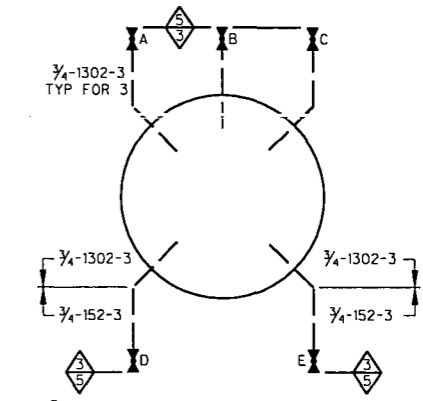
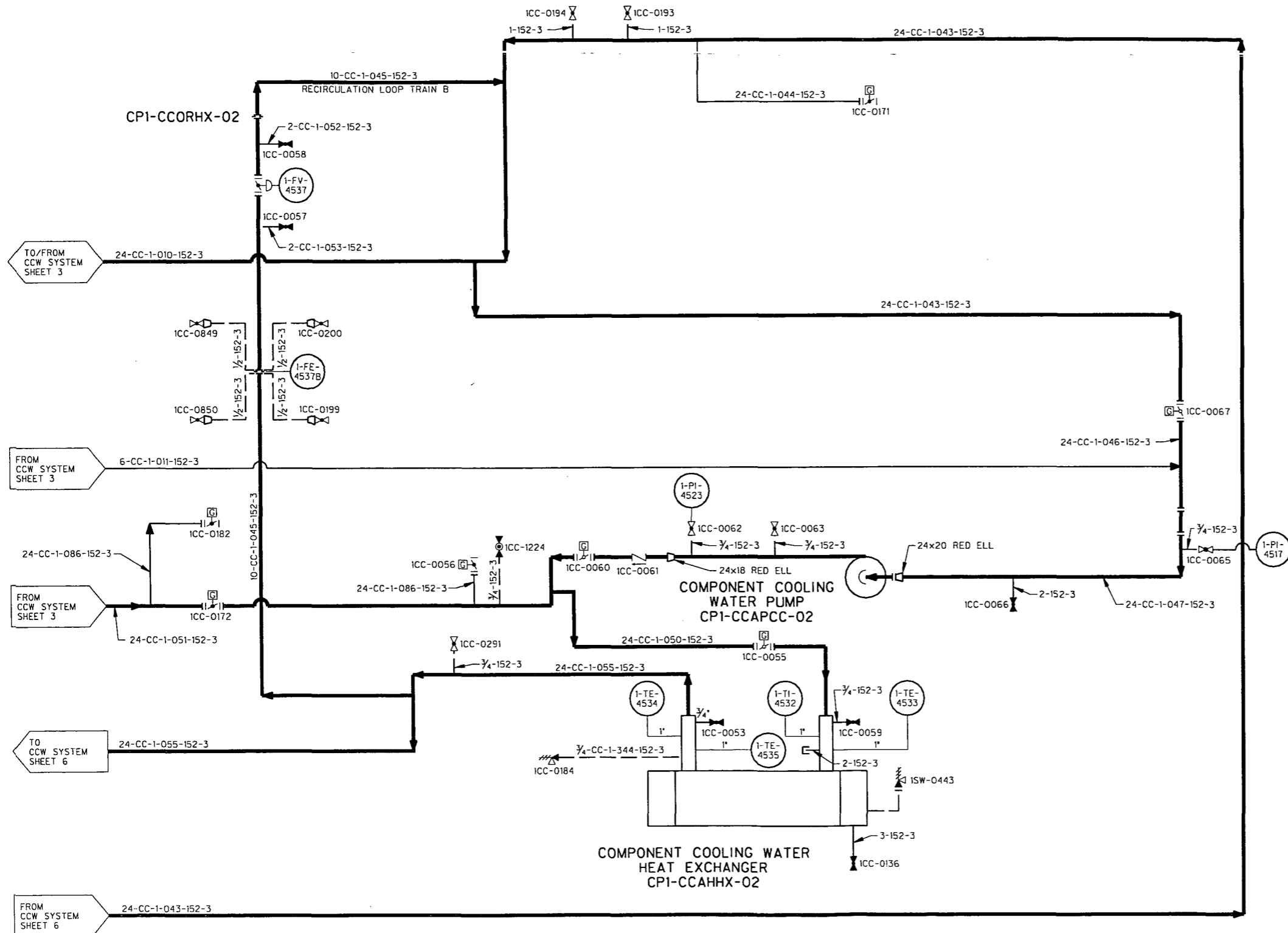
ILLUSTRATIVE USE ONLY
 THIS DIAGRAM DEVELOPED FROM FLOW DIAGRAM
 MI-0229-A CP-21

**LUMINANT
 CPNPP UNIT 1**

**INSERVICE INSPECTION
 BOUNDARY DIAGRAM**

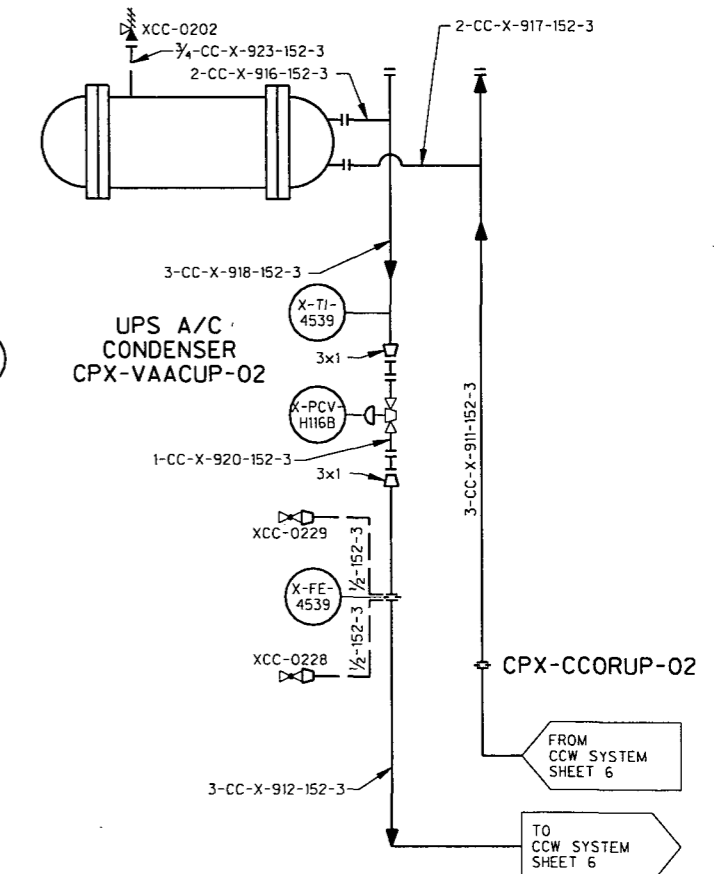
**COMPONENT COOLING
 WATER SYSTEM**
 SHEET 4 OF 12

REV 2 APPROVED:



PUMP	A	B	C	D	E
CP1-CCAPCC-02	CC-0237	CC-0238	CC-0239	CC-0240	CC-0241

**PUMP CP1-CCAPCC-02
VENTS AND DRAINS DETAIL**



**UPS A/C
CONDENSER
CPX-VAACUP-02**

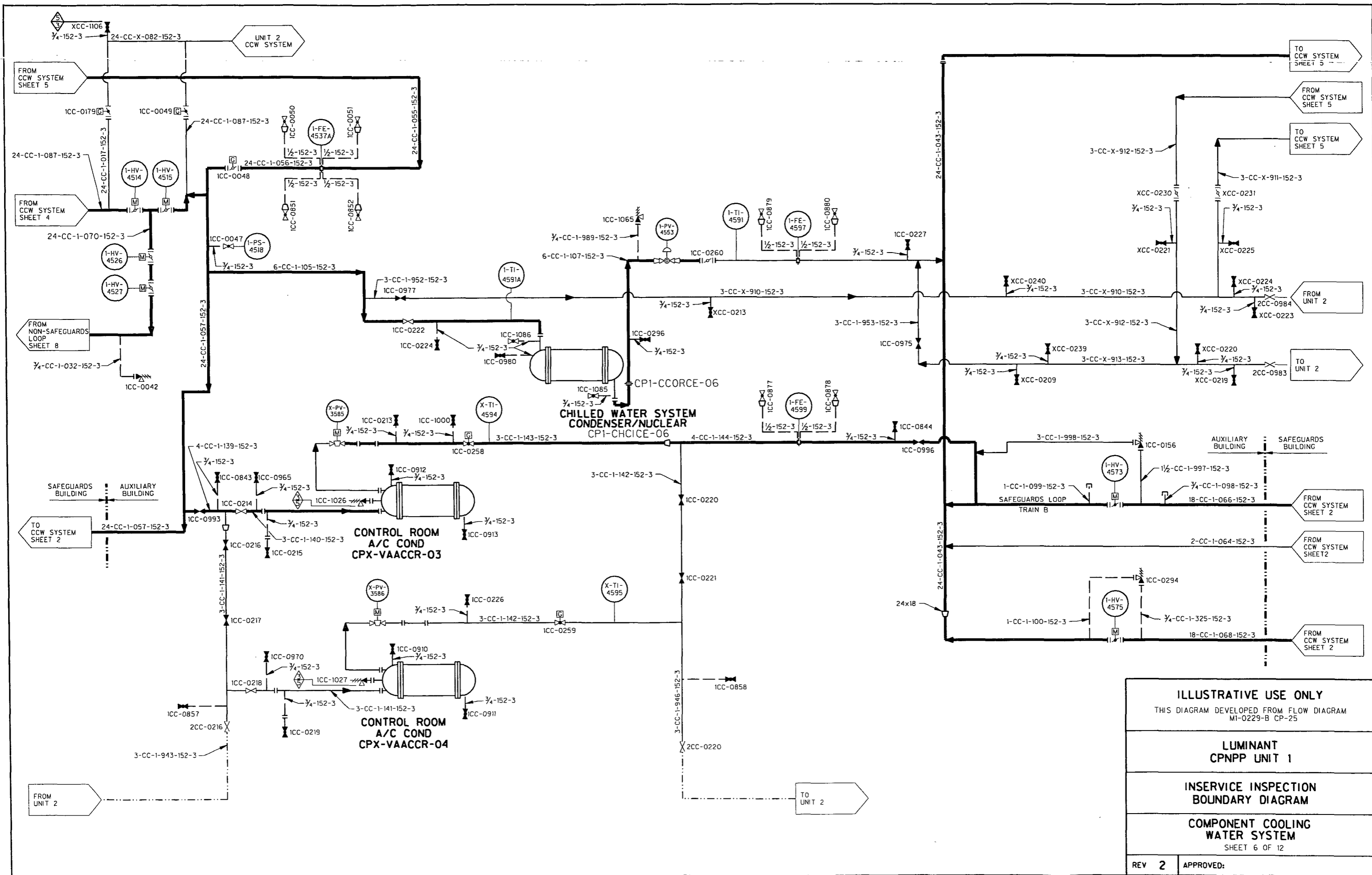
ILLUSTRATIVE USE ONLY
THIS DIAGRAM DEVELOPED FROM FLOW DIAGRAM
MI-0229-B CP-25

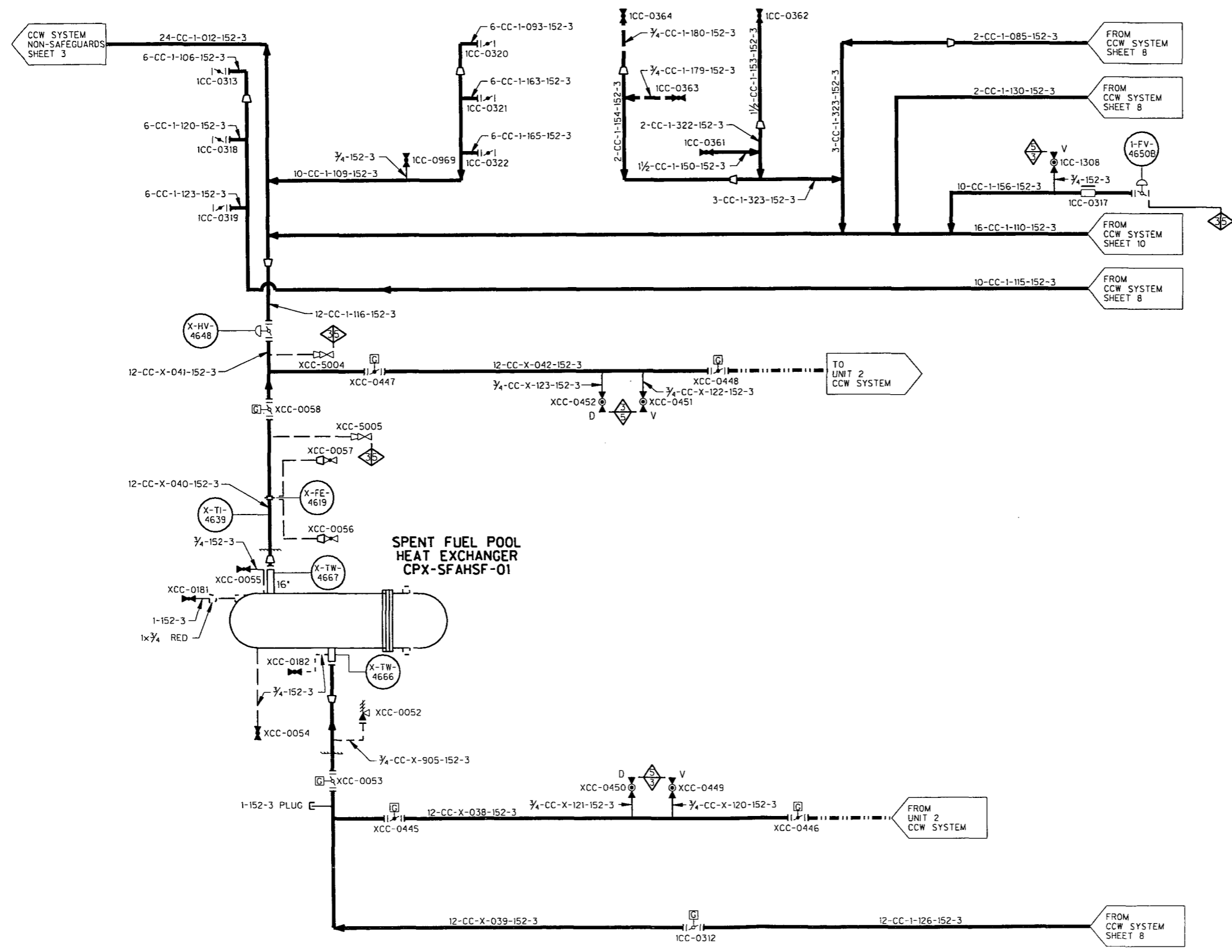
**LUMINANT
CPNPP UNIT 1**

**INSERVICE INSPECTION
BOUNDARY DIAGRAM**

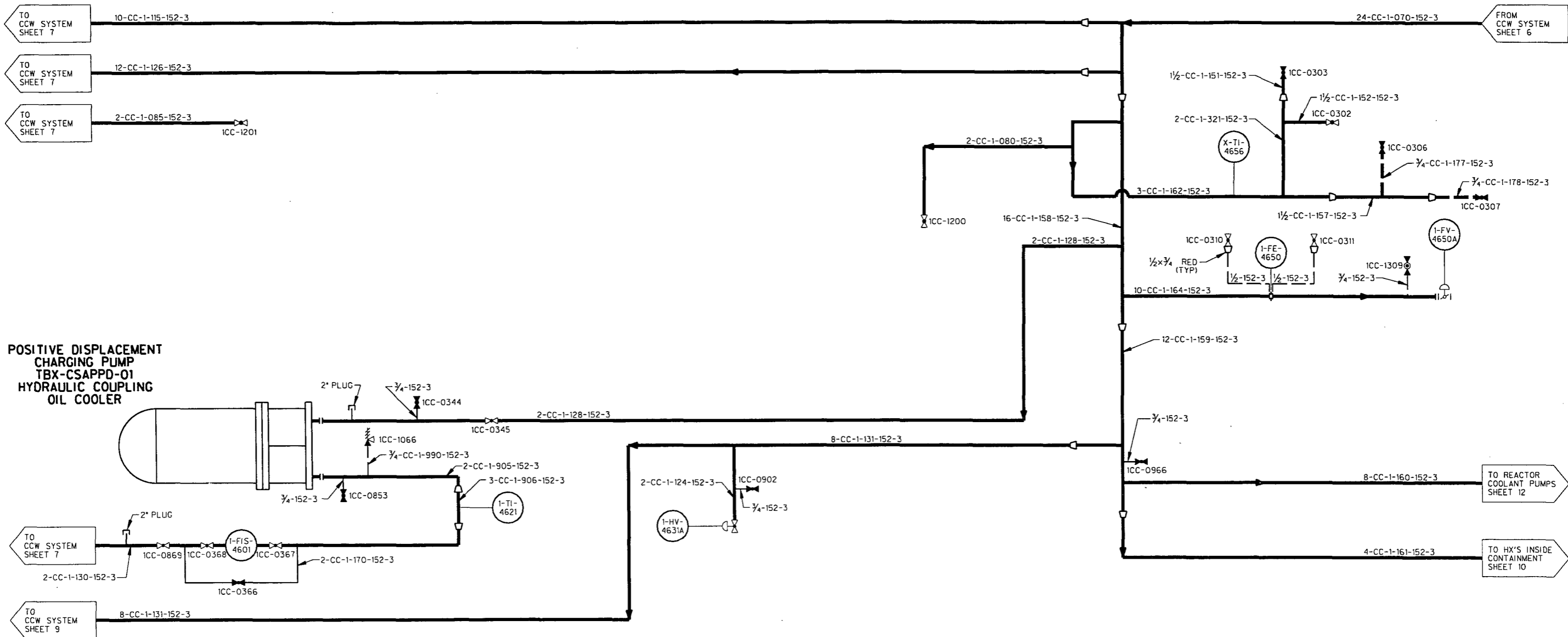
**COMPONENT COOLING
WATER SYSTEM**
SHEET 5 OF 12

REV 2 APPROVED:



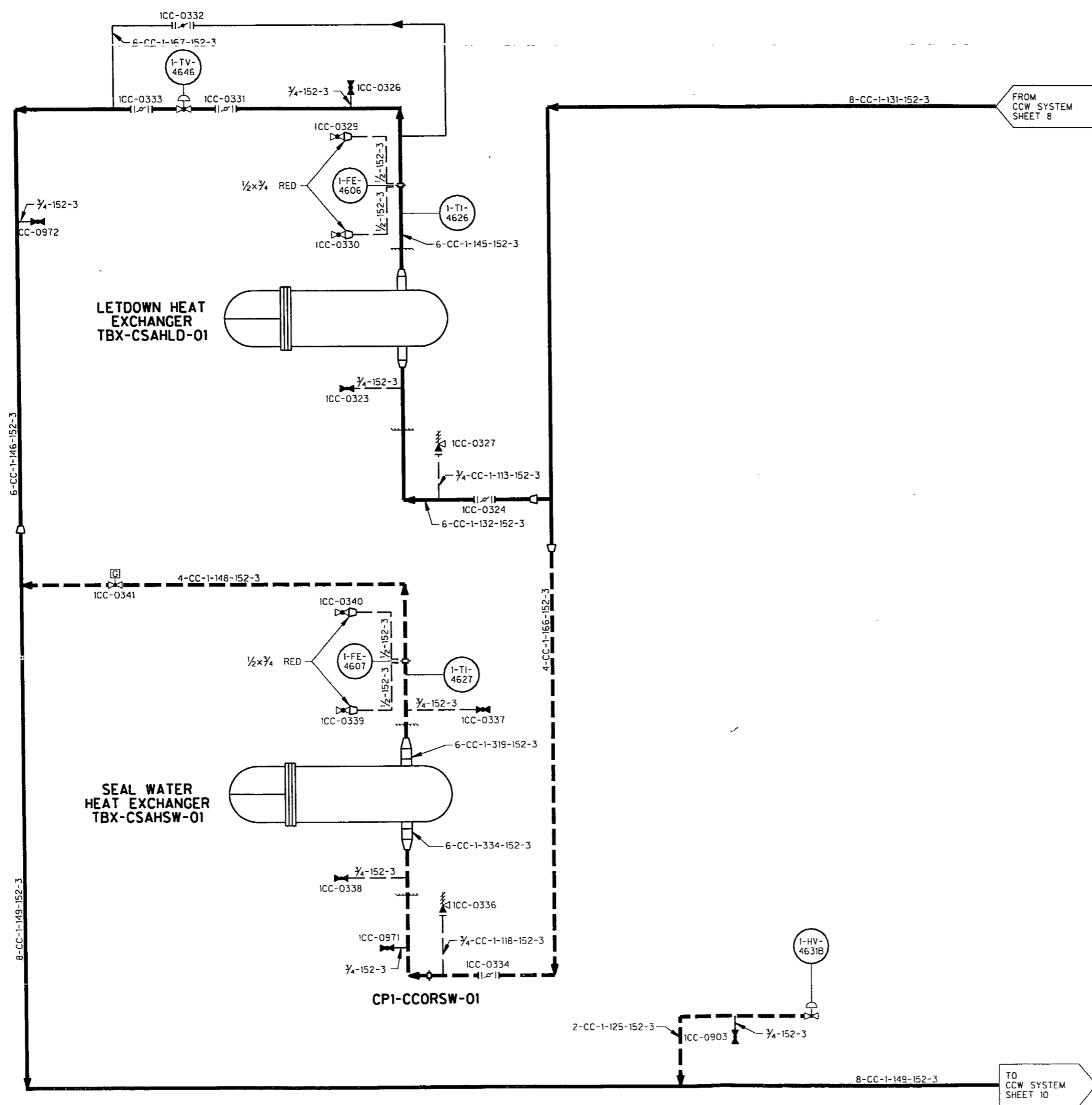


ILLUSTRATIVE USE ONLY	
THIS DIAGRAM DEVELOPED FROM FLOW DIAGRAM MI-0230 REV CP-26 AND MI-0230-B CP-22	
LUMINANT CPNPP UNIT 1	
INSERVICE INSPECTION BOUNDARY DIAGRAM	
COMPONENT COOLING WATER SYSTEM	
SHEET 7 OF 12	
REV 4	APPROVED:

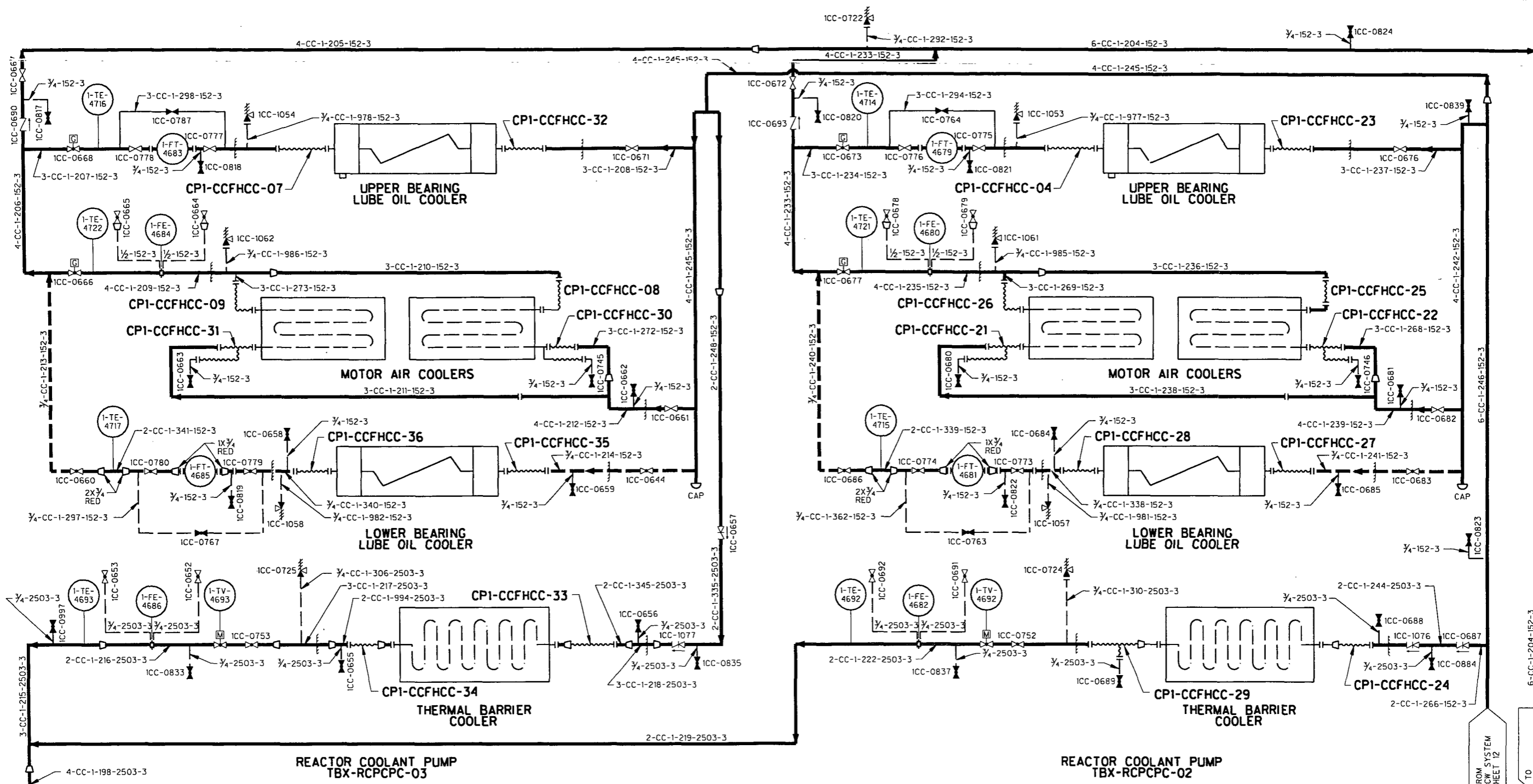


POSITIVE DISPLACEMENT
CHARGING PUMP
TBX-CSAPPD-01
HYDRAULIC COUPLING
OIL COOLER

ILLUSTRATIVE USE ONLY THIS DIAGRAM DEVELOPED FROM FLOW DIAGRAM M1-0230-A REV CP-20 AND M1-0230-B CP-21	
LUMINANT CPNPP UNIT 1	
INSERVICE INSPECTION BOUNDARY DIAGRAM	
COMPONENT COOLING WATER SYSTEM SHEET 8 OF 12	
REV 1	APPROVED:



ILLUSTRATIVE USE ONLY THIS DIAGRAM DEVELOPED FROM FLOW DIAGRAM MI-0230-A CP-20	
LUMINANT CPNPP UNIT 1	
INSERVICE INSPECTION BOUNDARY DIAGRAM	
COMPONENT COOLING WATER SYSTEM SHEET 9 OF 12	
REV 1	APPROVED:



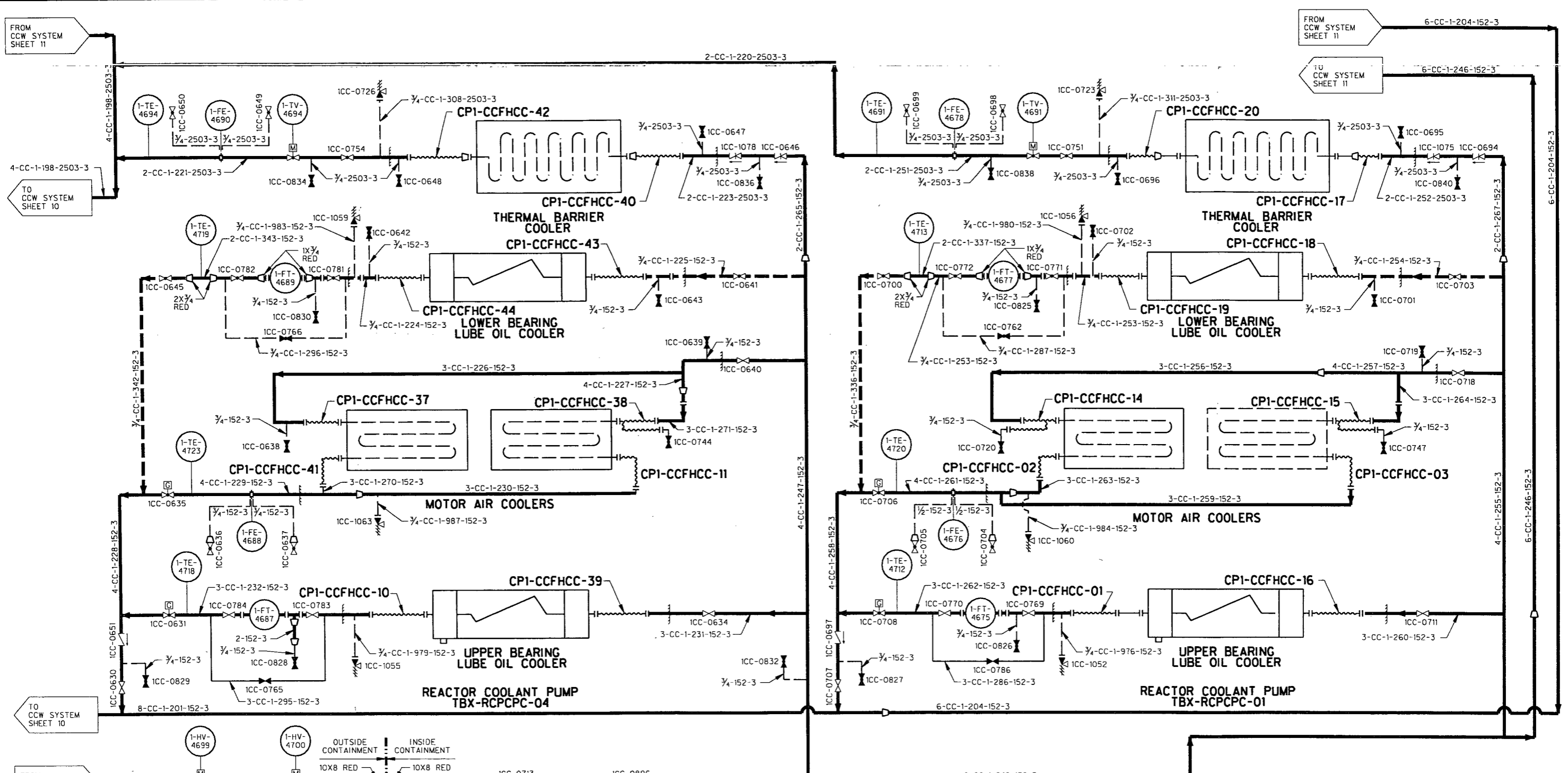
ILLUSTRATIVE USE ONLY
 THIS DIAGRAM DEVELOPED FROM FLOW DIAGRAM
 MI-0231-A REF CP-13

**LUMINANT
 CPNPP UNIT 1**

**INSERVICE INSPECTION
 BOUNDARY DIAGRAM**

**COMPONENT COOLING
 WATER SYSTEM**
 SHEET 11 OF 12

REV 2 APPROVED:



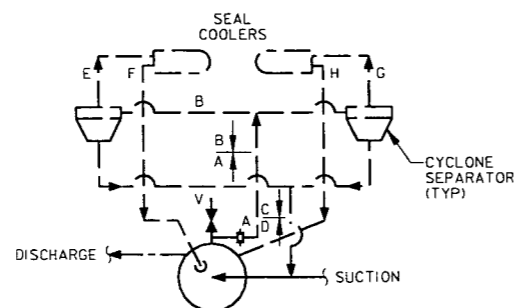
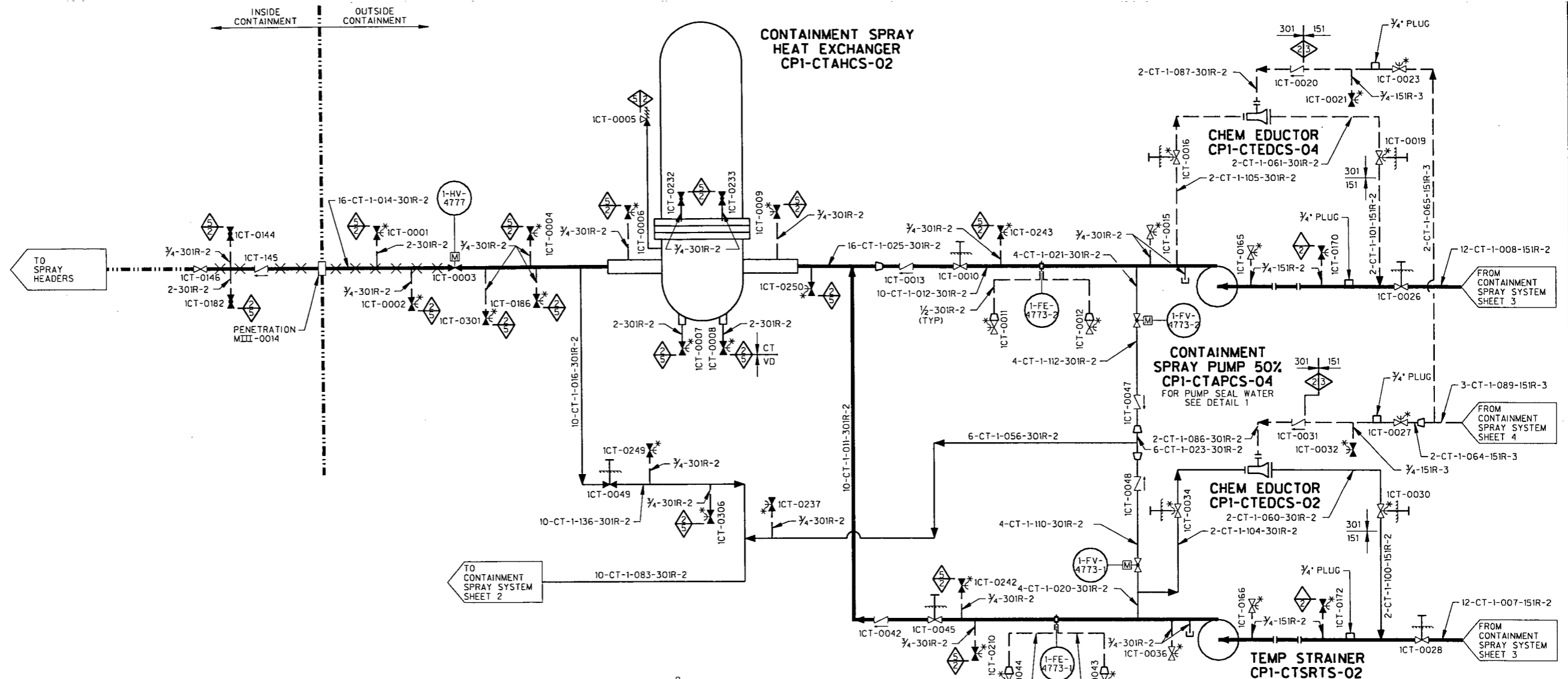
ILLUSTRATIVE USE ONLY
 THIS DIAGRAM DEVELOPED FROM FLOW DIAGRAM
 MI-0231-A REF CP-13

LUMINANT
 CPNPP UNIT 1

INSERVICE INSPECTION
 BOUNDARY DIAGRAM

COMPONENT COOLING
 WATER SYSTEM
 SHEET 12 OF 12

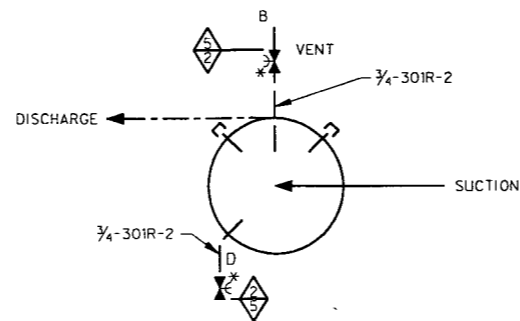
REV 3 APPROVED:



**CONTAINMENT SPRAY PUMPS
SEAL COOLER PIPING**
SEE TABLE FOR LINE NUMBERS

PUMP NUMBER	VALVE NUMBER	XXX FOR LINE NUMBERS							
		A	B	C	D	E	F	G	H
CPI-CTAPCS-02	ICT-0193	0916	0917	0918	0919	0920	0921	0922	0923
CPI-CTAPCS-04	ICT-0195	0932	0933	0934	0935	0936	0937	0938	0939

LINE NUMBERS ARE 1/2-CT-1-XXX-1501R-2

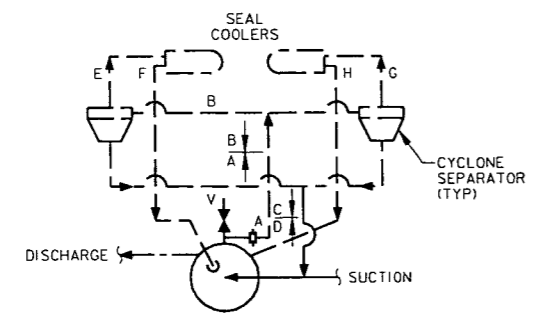
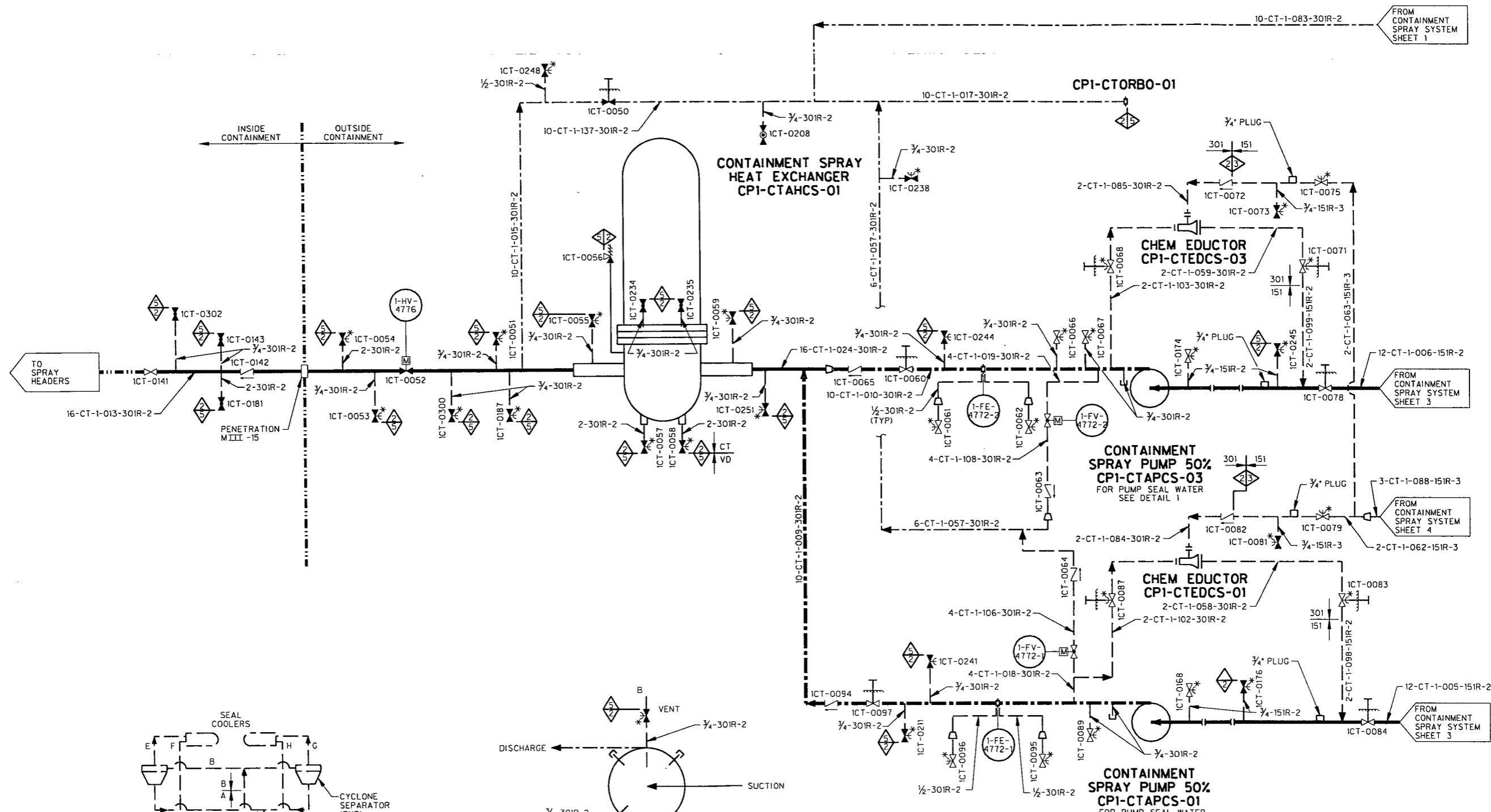


**CONTAINMENT SPRAY PUMPS
PUMPS VENTS AND DRAINS
(TYP 4)**

PUMP	B (DISCH VENT)	D (DRAIN)
CPI-CTAPCS-02	ICT-0193	ICT-0035
CPI-CTAPCS-04	ICT-0195	ICT-0017

DETAIL 1

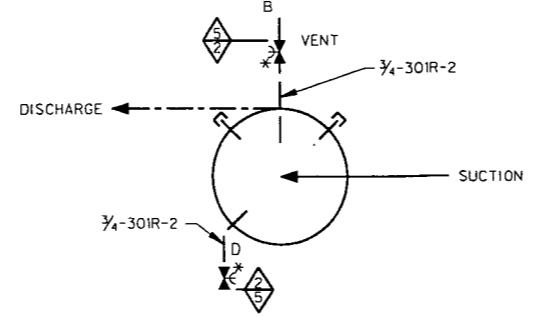
ILLUSTRATIVE USE ONLY THIS DIAGRAM DEVELOPED FROM FLOW DIAGRAM MI-0232 REV CP-30	
LUMINANT CNPP UNIT 1	
INSERVICE INSPECTION BOUNDARY DIAGRAM	
CONTAINMENT SPRAY SYSTEM SHEET 1 OF 4	
REV 4	APPROVED:



**CONTAINMENT SPRAY PUMPS
SEAL COOLER PIPING**
SEE TABLE FOR LINE NUMBERS

PUMP NUMBER	VALVE NUMBER	XXX FOR LINE NUMBERS							
		A	B	C	D	E	F	G	H
CP1-CTAPCS-01	ICT-192	0908	0909	0910	0911	0912	0913	0914	0915
CP1-CTAPCS-03	ICT-194	0924	0925	0926	0927	0928	0929	0930	0931

LINE NUMBERS ARE 1/2-CT-1-XXX-151R-2



**CONTAINMENT SPRAY PUMPS
PUMPS VENTS AND DRAINS
(TYP 4)**

PUMP	B (DISCH VENT)	D (DRAIN)
CP1-CTAPCS-01	ICT-0192	ICT-0086
CP1-CTAPCS-03	ICT-0194	ICT-0069

DETAIL 1

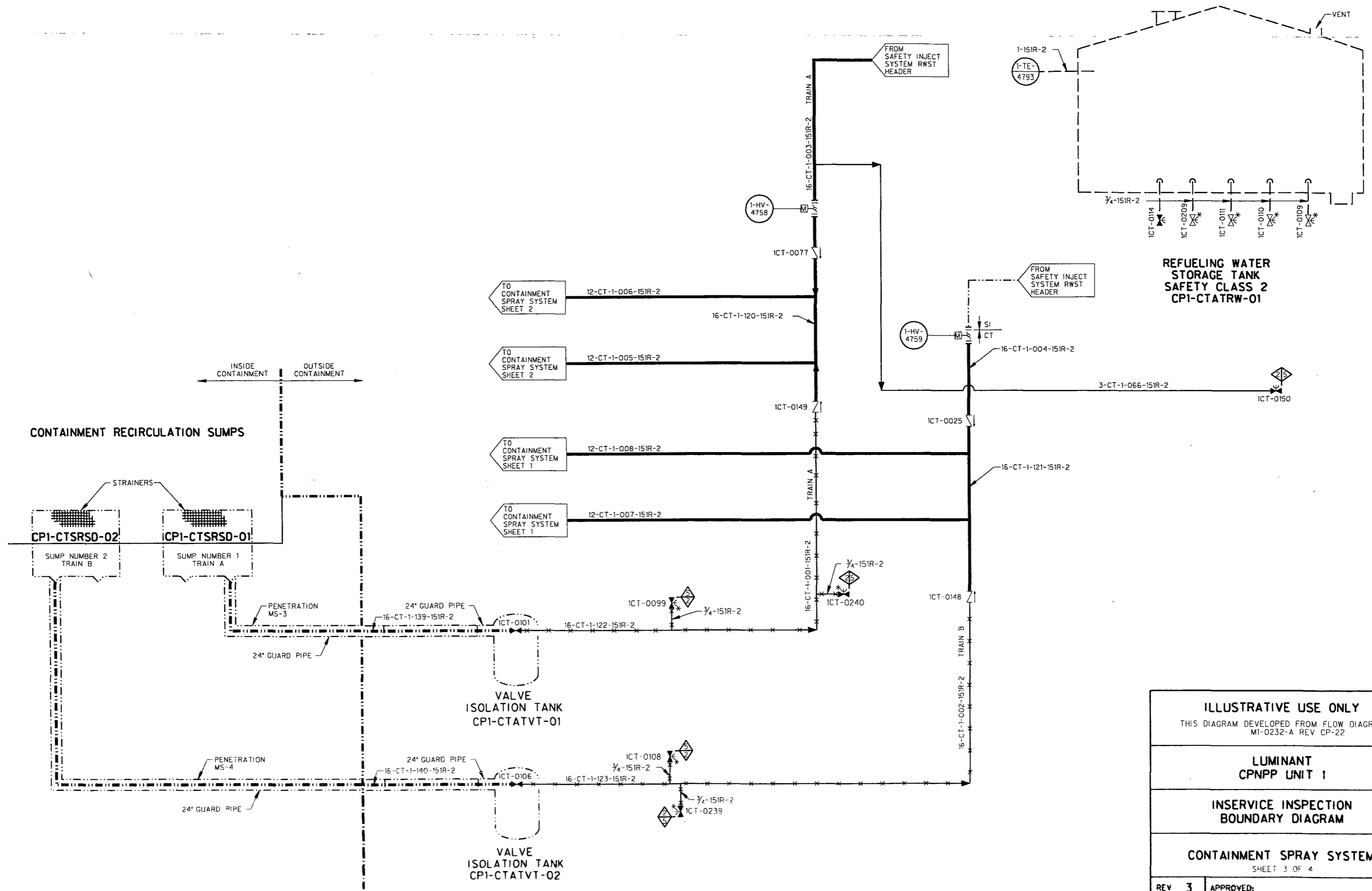
ILLUSTRATIVE USE ONLY
THIS DIAGRAM DEVELOPED FROM FLOW DIAGRAM
M1-0232 REV CP-30

**LUMINANT
CNPP UNIT 1**

**INSERVICE INSPECTION
BOUNDARY DIAGRAM**

CONTAINMENT SPRAY SYSTEM
SHEET 2 OF 4

REV 4	APPROVED:
-------	-----------



ILLUSTRATIVE USE ONLY
 THIS DIAGRAM DEVELOPED FROM FLOW DIAGRAM
 M1-0232-A REV CP-22

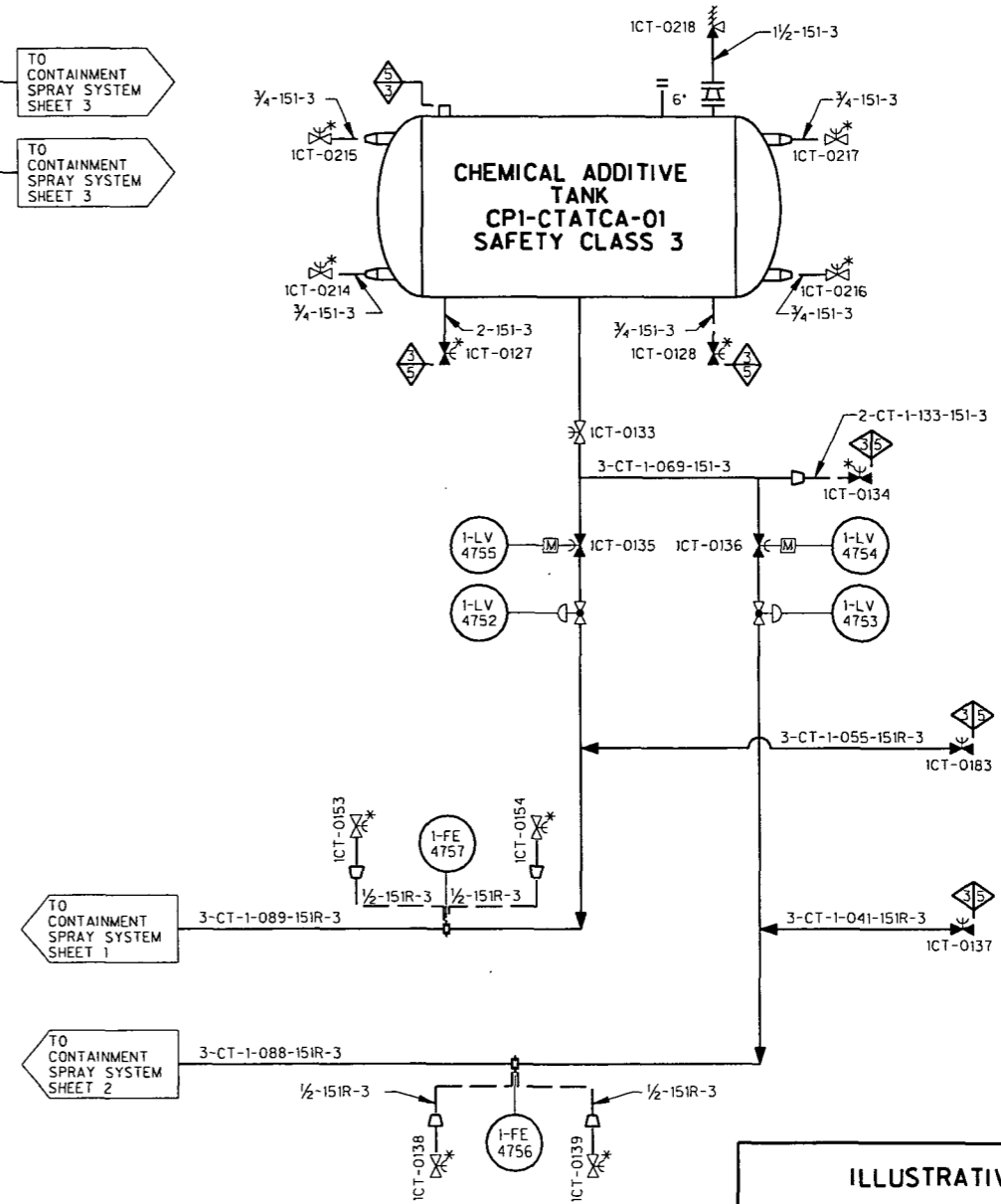
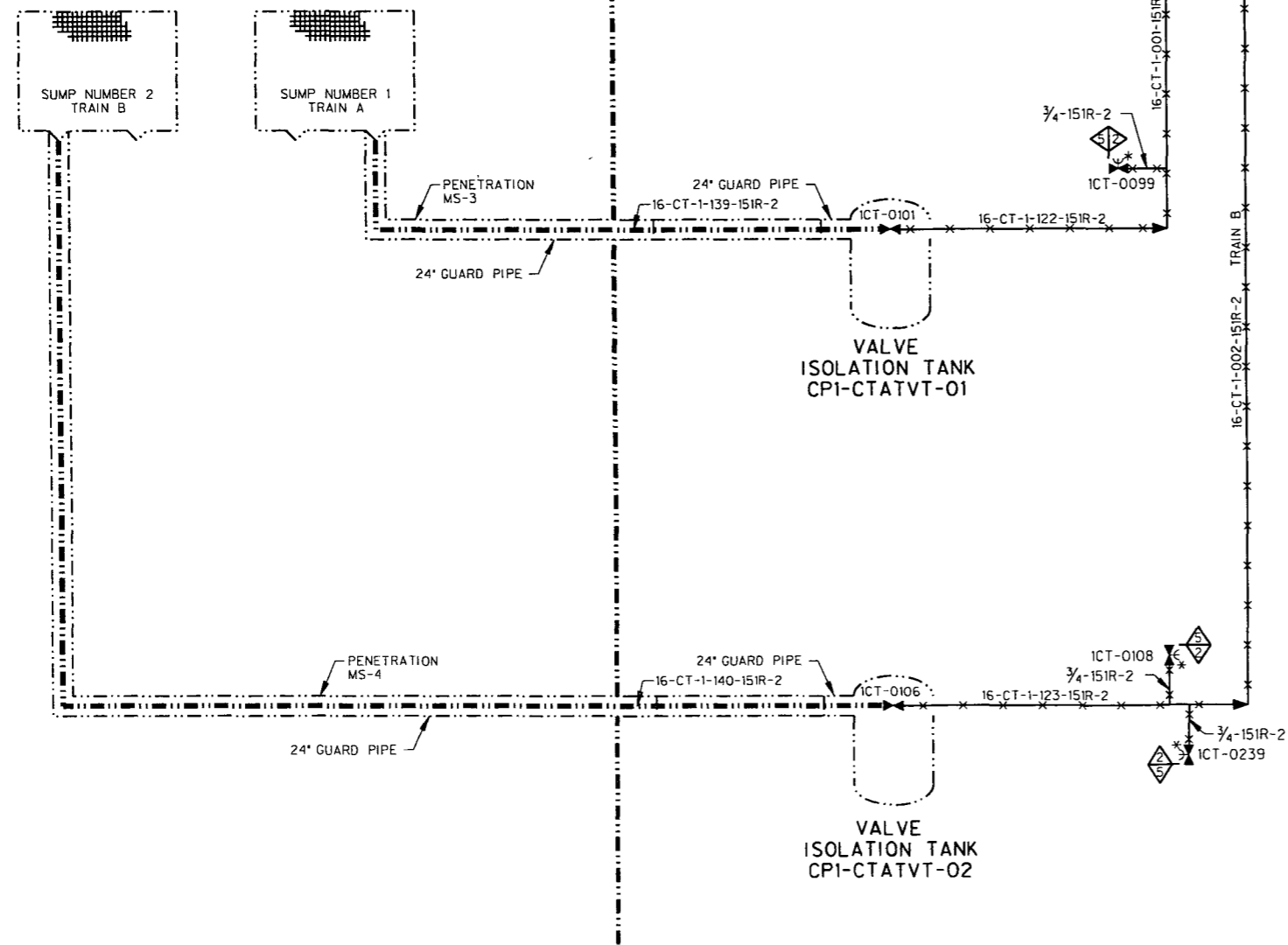
LUMINANT
 CNPP UNIT 1

INSERVICE INSPECTION
 BOUNDARY DIAGRAM

CONTAINMENT SPRAY SYSTEM
 SHEET 3 OF 4

REV 3 APPROVED:

CONTAINMENT RECIRCULATION SUMPS



ILLUSTRATIVE USE ONLY

THIS DIAGRAM DEVELOPED FROM FLOW DIAGRAM
MI-0232-A REV CP-22

**LUMINANT
CPNPP UNIT 1**

**INSERVICE INSPECTION
BOUNDARY DIAGRAM**

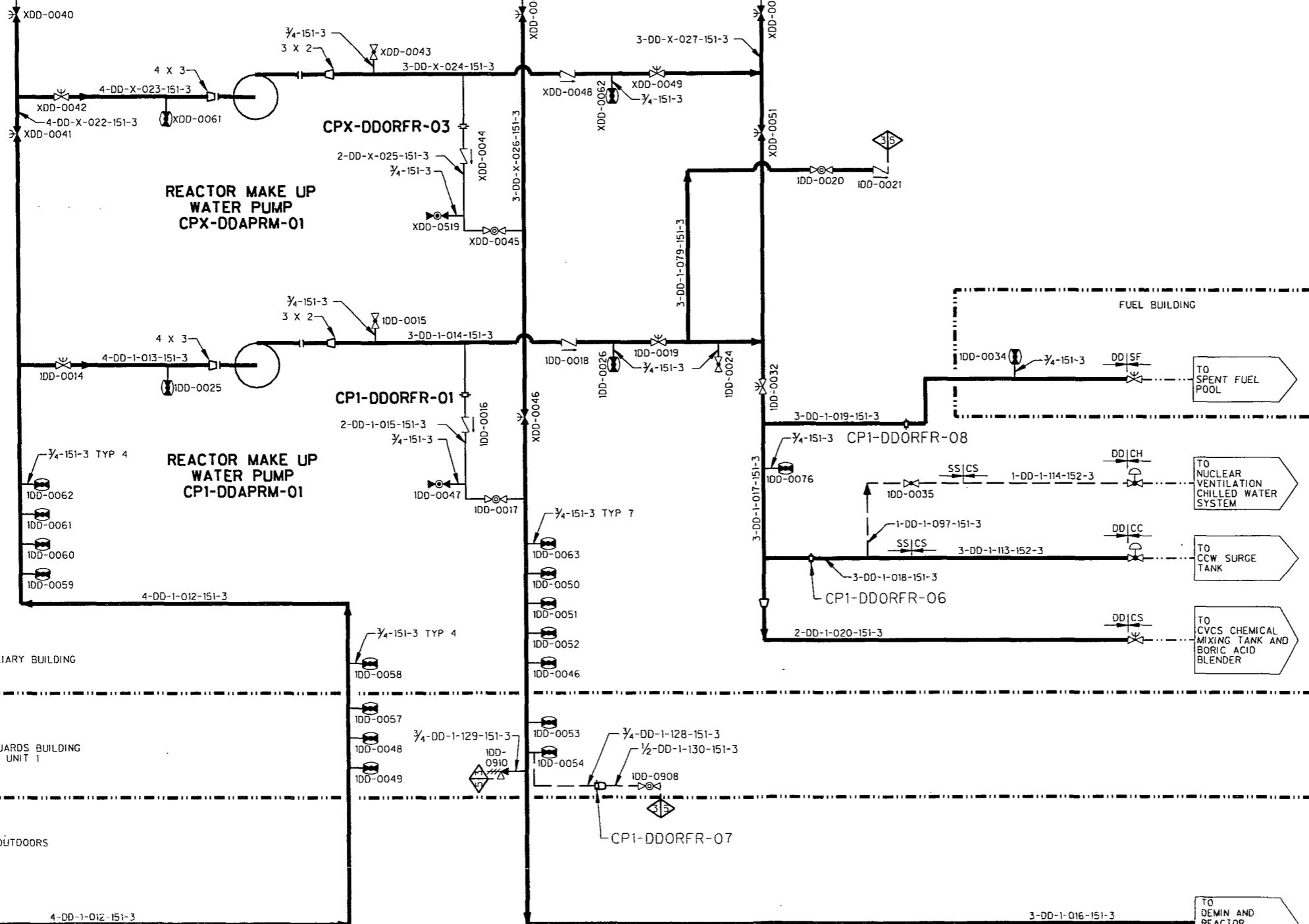
CONTAINMENT SPRAY SYSTEM
SHEET 4 OF 4

REV 3 APPROVED:

FROM
DD SYSTEM
UNIT 2

TO
DD SYSTEM
UNIT 2

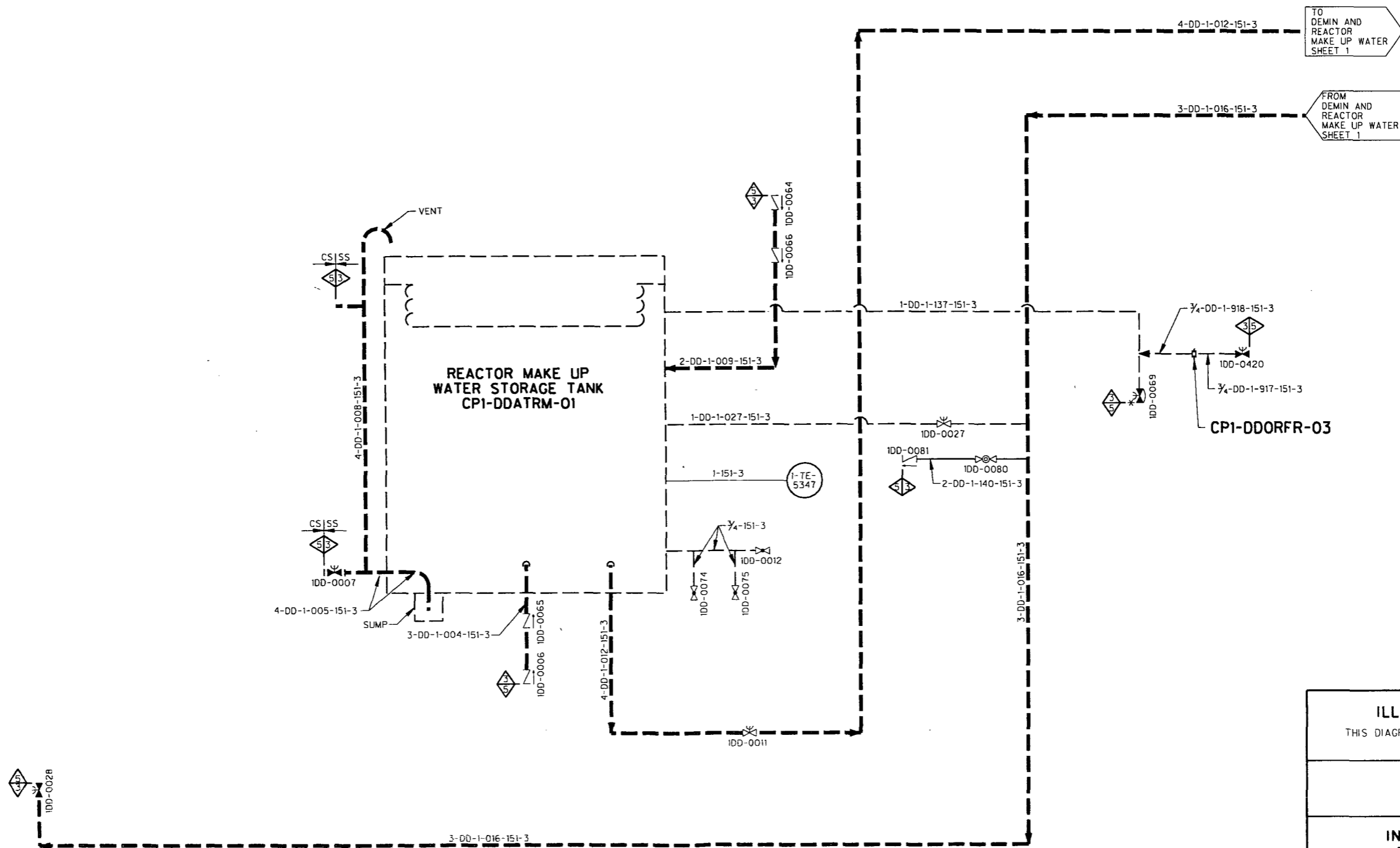
TO
DD SYSTEM
UNIT 2



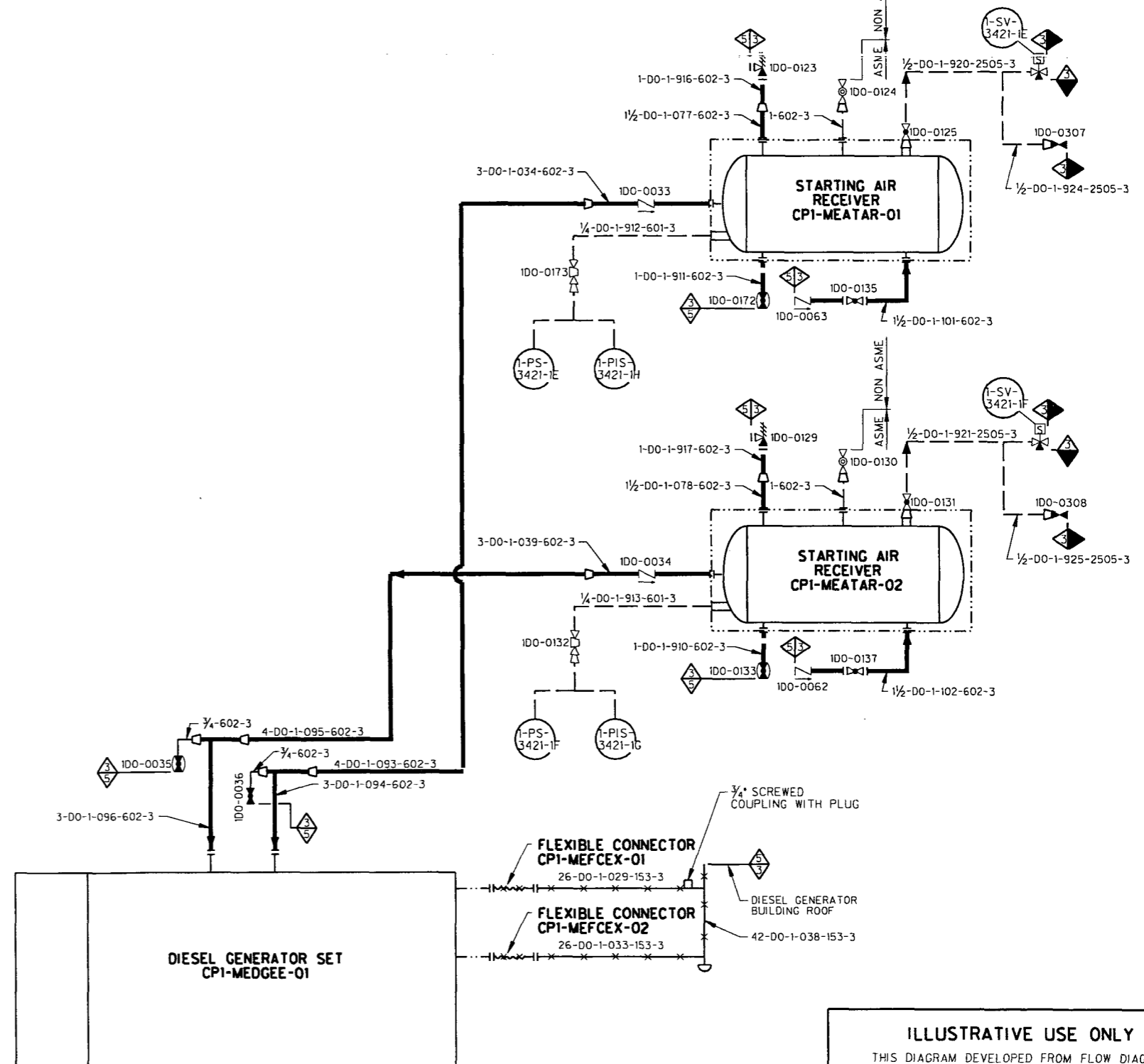
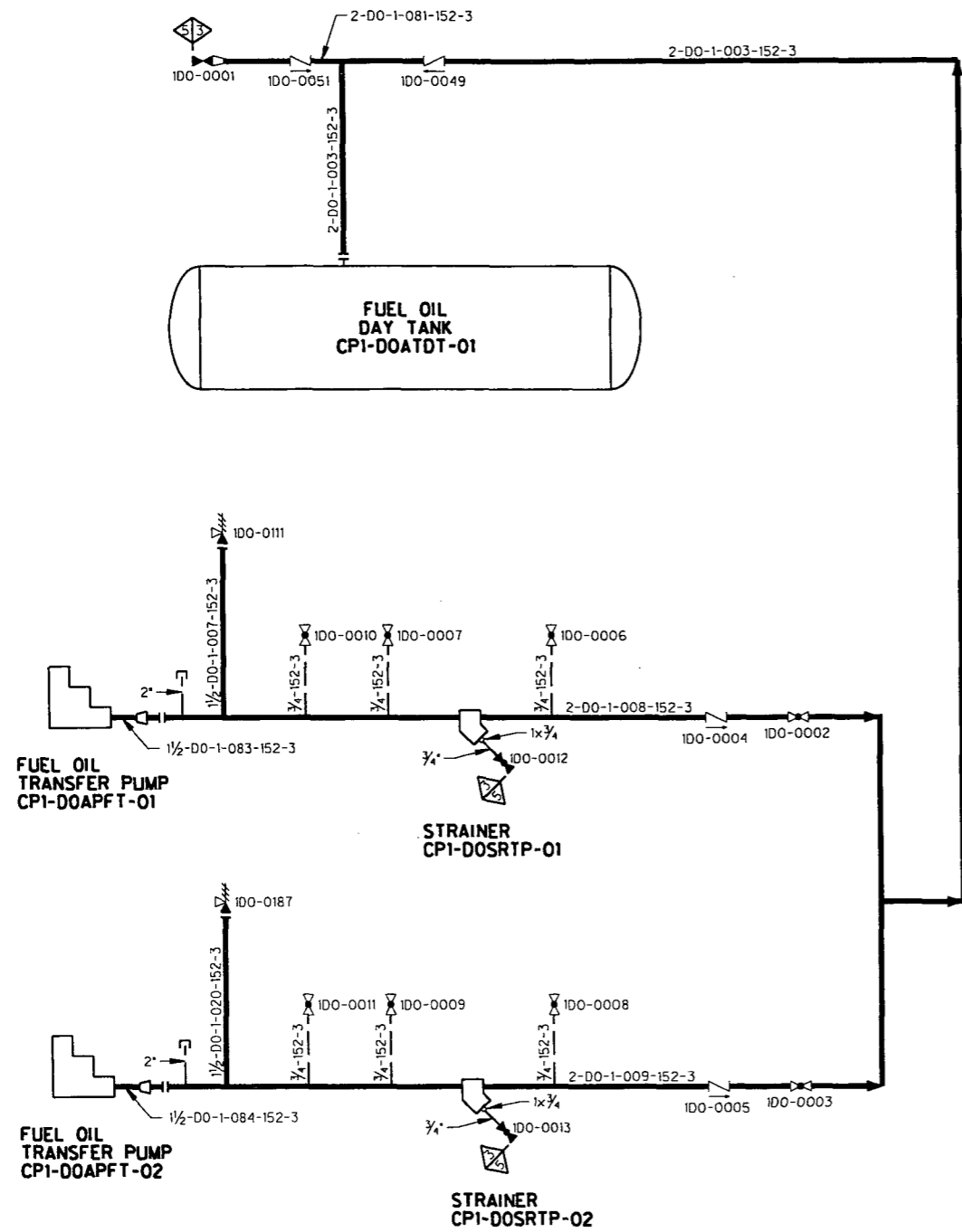
FROM
DEMIN AND
REACTOR
MAKE UP
WATER
SHEET 2

TO
DEMIN AND
REACTOR
MAKE UP WATER
SHEET 2

ILLUSTRATIVE USE ONLY THIS DIAGRAM DEVELOPED FROM FLOW DIAGRAM M1-0241-01 REV CP-27	
LUMINANT CNPP UNIT 1	
INSERVICE INSPECTION BOUNDARY DIAGRAM	
DEMINERALIZED & REACTOR MAKE UP WATER SHEET 1 OF 2	
REV 3	APPROVED:



ILLUSTRATIVE USE ONLY THIS DIAGRAM DEVELOPED FROM FLOW DIAGRAM MI-0241-01 REV CP-27	
LUMINANT CPNPP UNIT 1	
INSERVICE INSPECTION BOUNDARY DIAGRAM	
DEMINERALIZED & REACTOR MAKE UP WATER SHEET 2 OF 2	
REV 3	APPROVED:



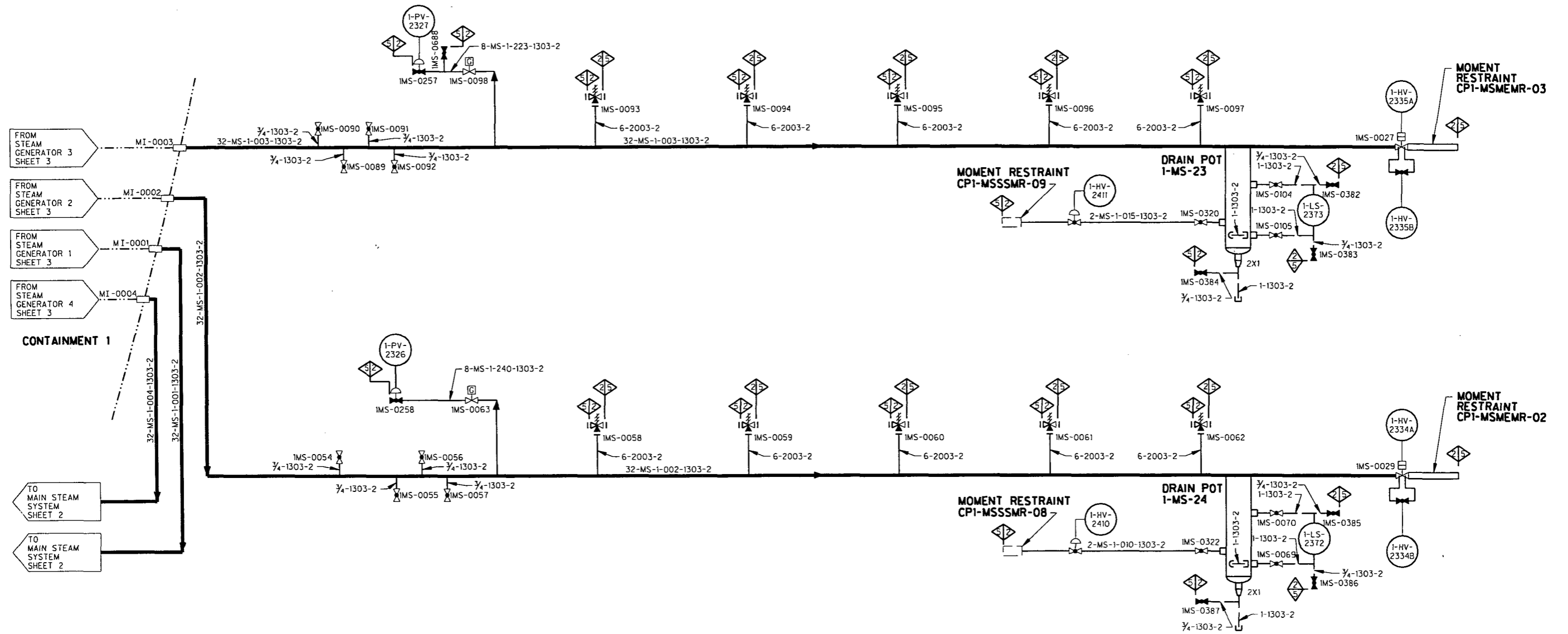
ILLUSTRATIVE USE ONLY
 THIS DIAGRAM DEVELOPED FROM FLOW DIAGRAM
 MI-0215 REV CP-18, MI-0215-D REV CP-24, MI-0215-F REV CP-6

**LUMINANT
 CPNPP UNIT 1**

**INSERVICE INSPECTION
 BOUNDARY DIAGRAM**

**DIESEL GENERATOR
 AUXILIARY SYSTEM**
 SHEET 1 OF 2

REV 2 APPROVED:



ILLUSTRATIVE USE ONLY
 THIS DIAGRAM DEVELOPED FROM FLOW DIAGRAM
 MI-0202 REV CP-33

**LUMINANT
 CPNPP UNIT 1**

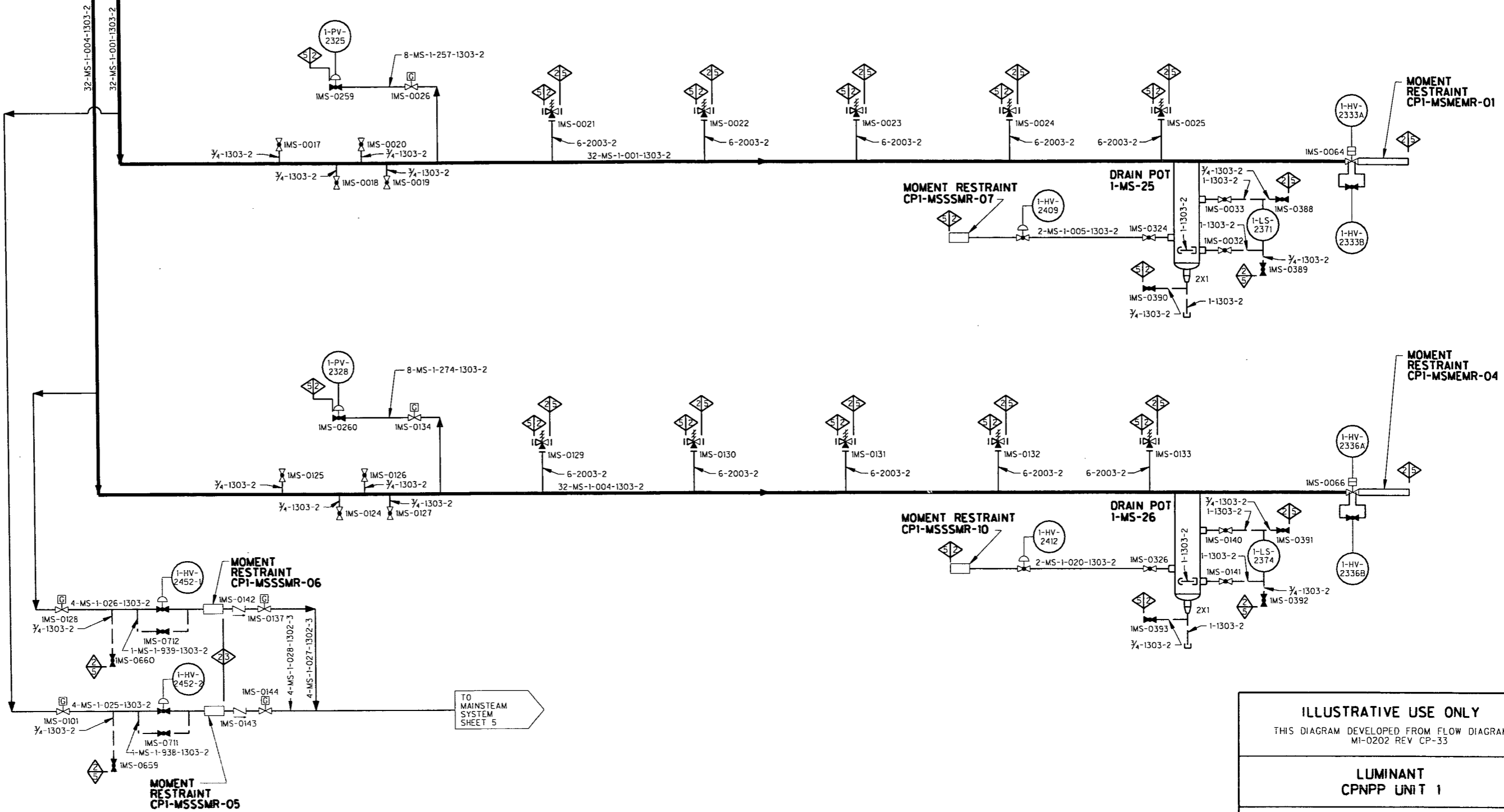
**INSERVICE INSPECTION
 BOUNDARY DIAGRAM**

MAIN STEAM SYSTEM
 SHEET 1 OF 5

REV 2 APPROVED:

FROM MAIN STEAM SYSTEM SHEET 4

FROM MAIN STEAM SYSTEM SHEET 1



ILLUSTRATIVE USE ONLY	
THIS DIAGRAM DEVELOPED FROM FLOW DIAGRAM MI-0202 REV CP-33	
LUMINANT CPNPP UNIT 1	
INSERVICE INSPECTION BOUNDARY DIAGRAM	
MAIN STEAM SYSTEM	
SHEET 2 OF 5	
REV 4	APPROVED:

FROM MAIN STEAM SYSTEM SHEET 4

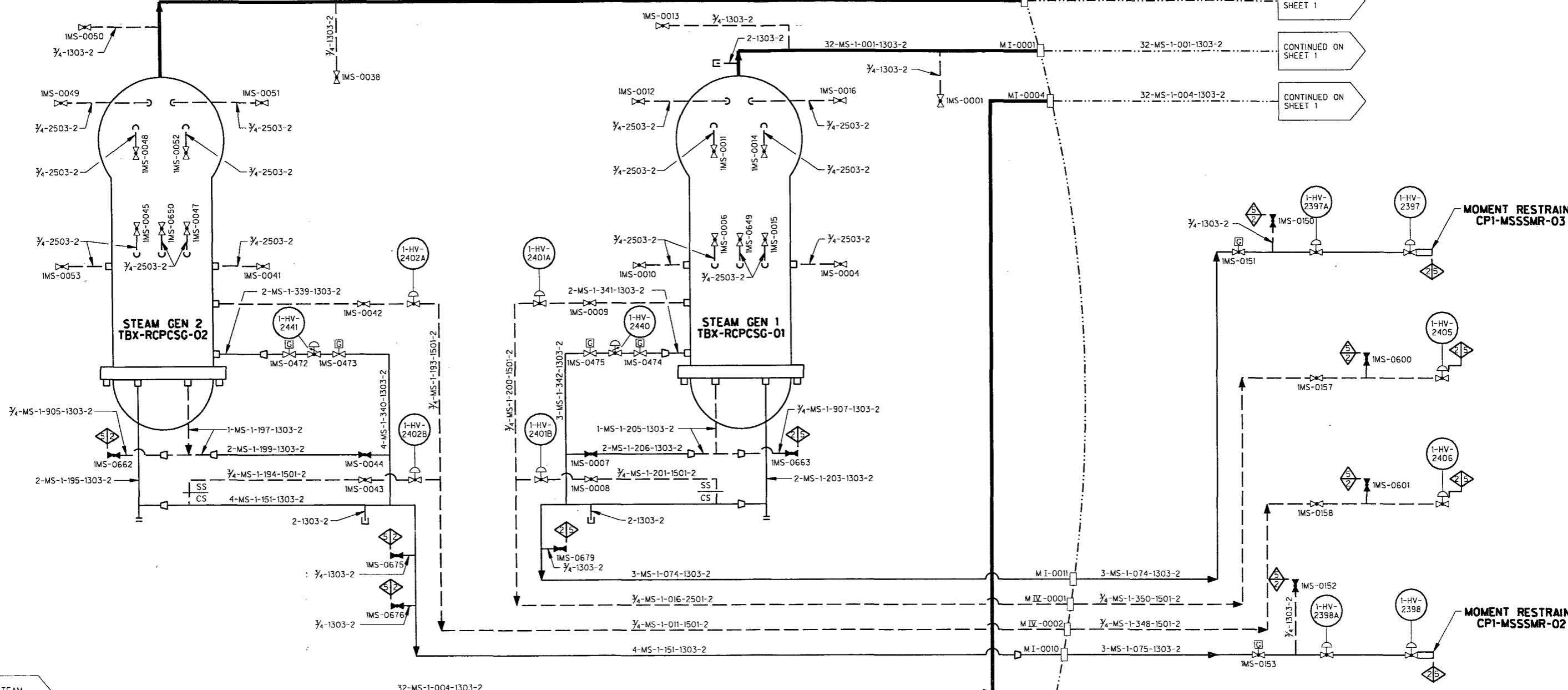
FROM MAIN STEAM SYSTEM SHEET 4

CONTINUED ON SHEET 1

CONTINUED ON SHEET 1

CONTINUED ON SHEET 1

CONTINUED ON SHEET 1



ILLUSTRATIVE USE ONLY
 THIS DIAGRAM DEVELOPED FROM FLOW DIAGRAM
 MI-0202-02 REV CP-21

**LUMINANT
 CPNPP UNIT 1**

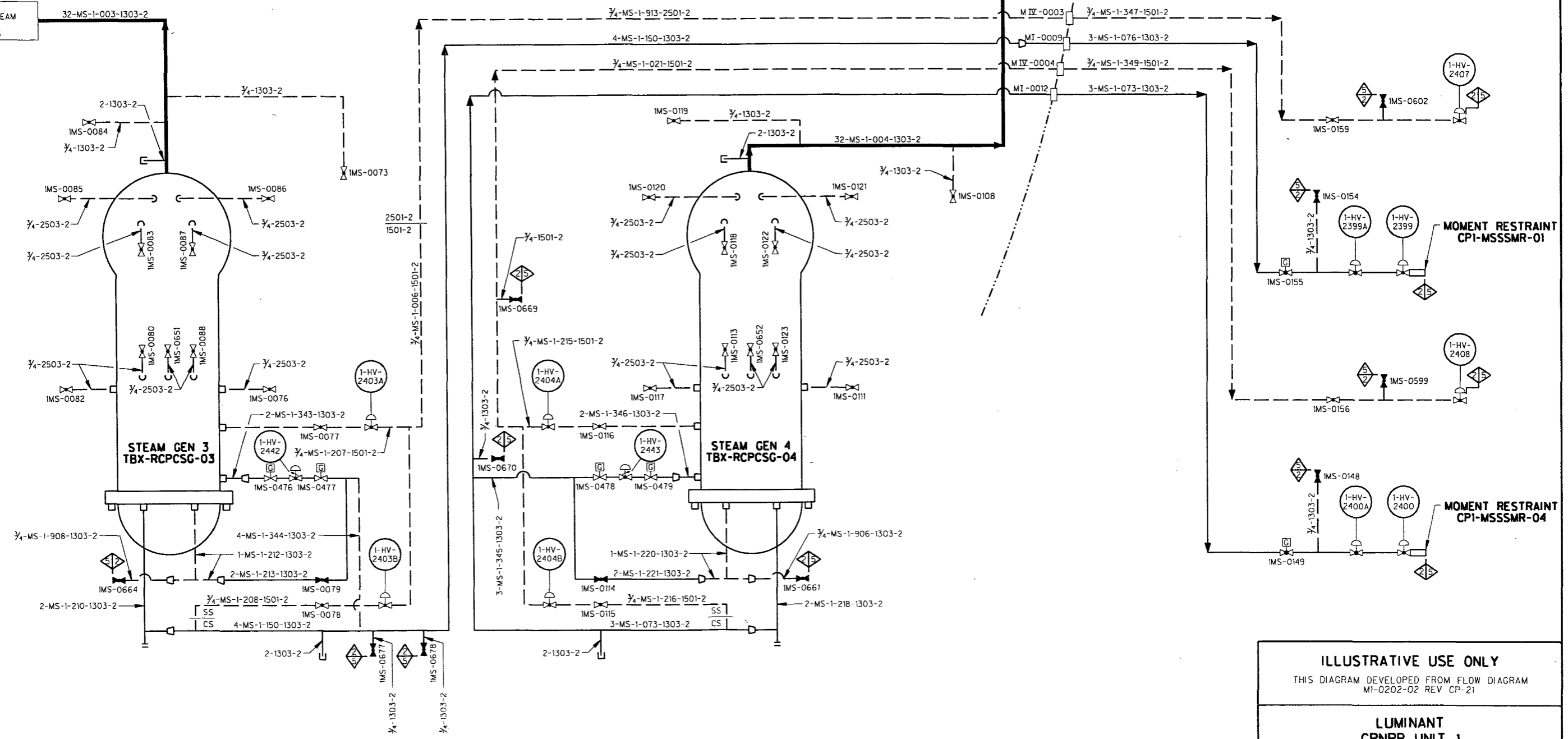
**INSERVICE INSPECTION
 BOUNDARY DIAGRAM**

MAIN STEAM SYSTEM
 SHEET 3 OF 5

REV 2 APPROVED:

TO MAIN STEAM SYSTEM SHEET 3

TO MAIN STEAM SYSTEM SHEET 3



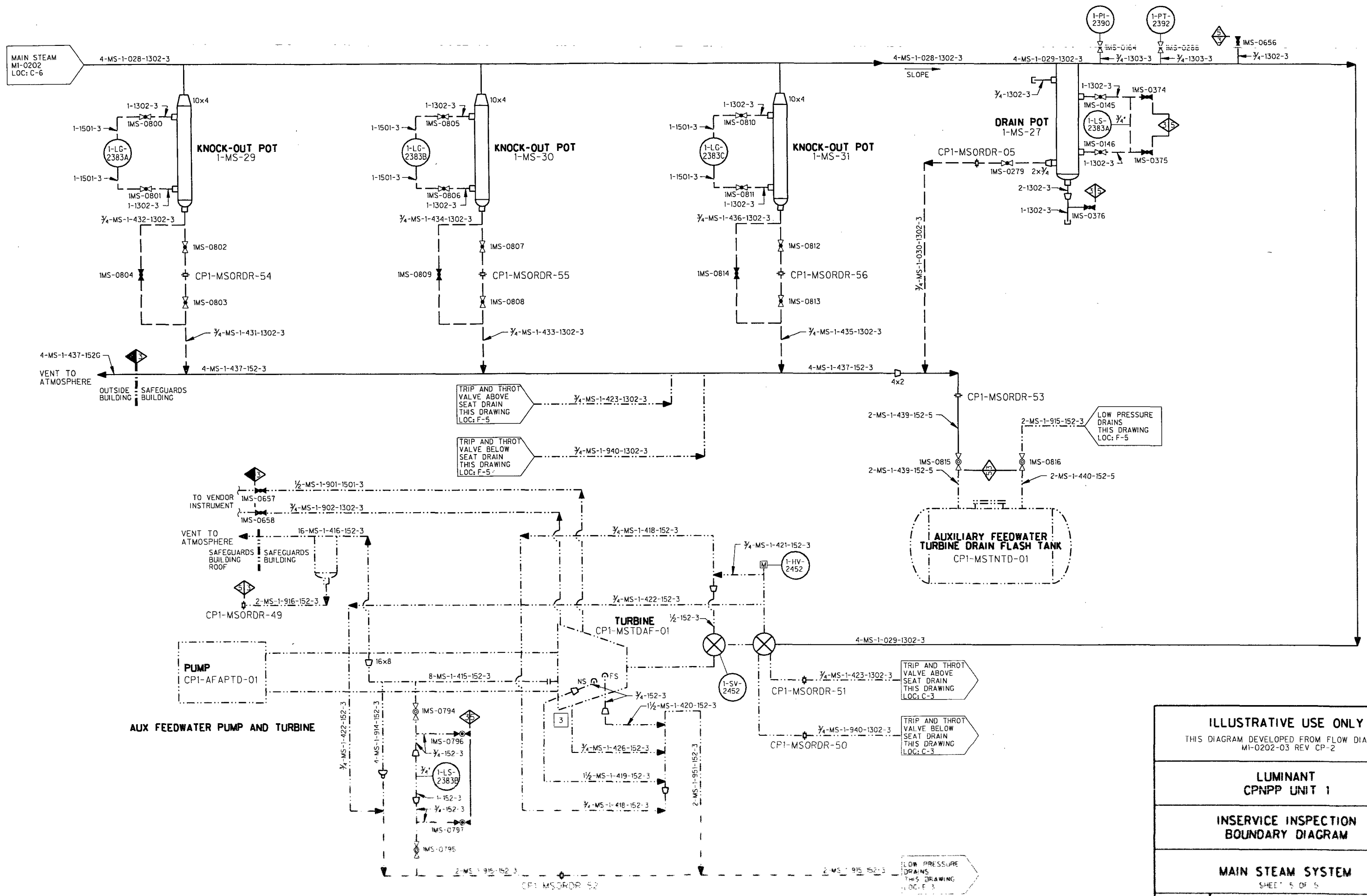
ILLUSTRATIVE USE ONLY
THIS DIAGRAM DEVELOPED FROM FLOW DIAGRAM MI-0202-02 REV CP-21

LUMINANT CPNPP UNIT 1

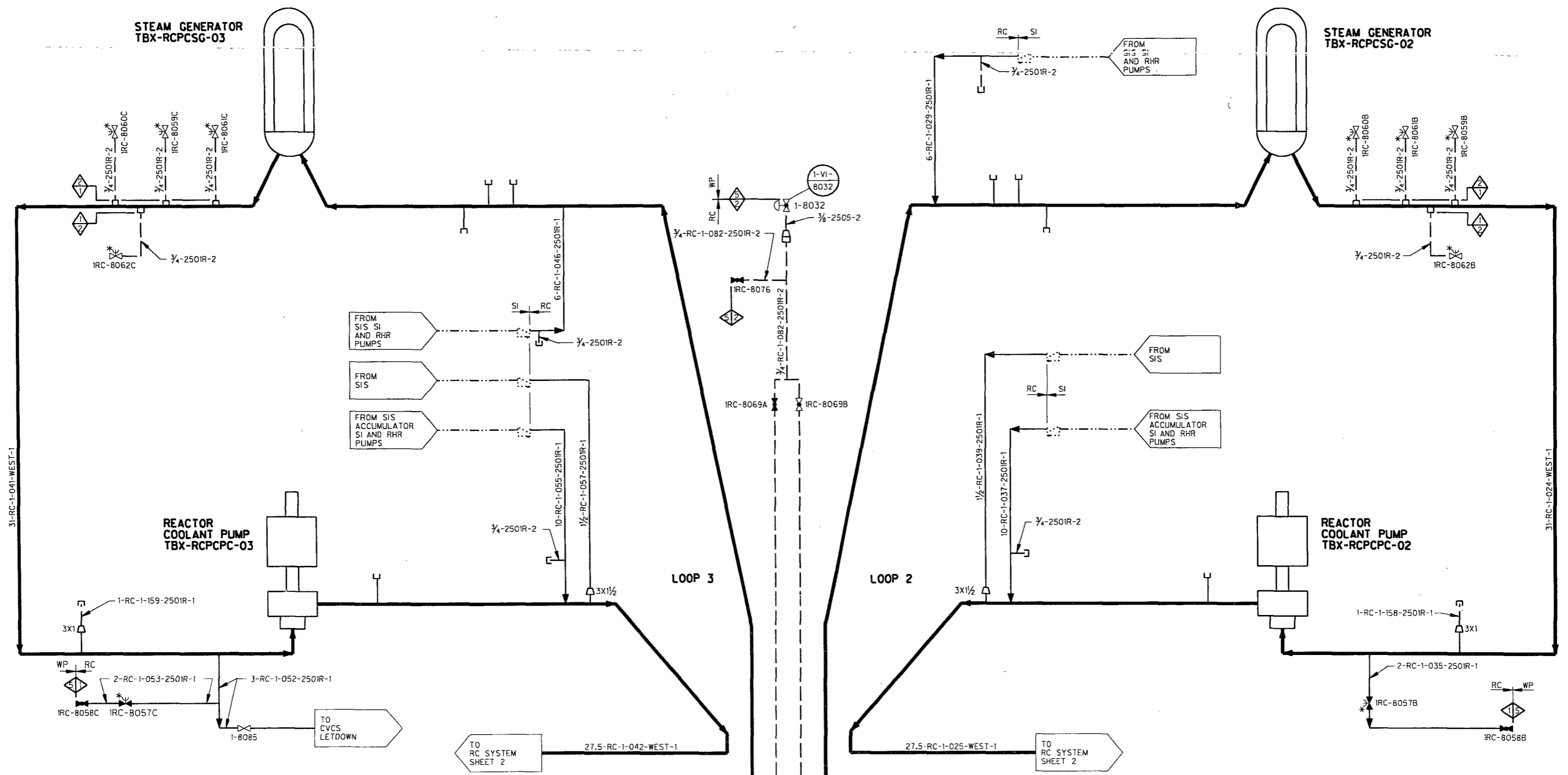
INSERVICE INSPECTION BOUNDARY DIAGRAM

MAIN STEAM SYSTEM
SHEET # OF 3

REV 2 APPROVED:



ILLUSTRATIVE USE ONLY	
THIS DIAGRAM DEVELOPED FROM FLOW DIAGRAM MI-0202-03 REV CP-2	
LUMINANT CPNPP UNIT 1	
INSERVICE INSPECTION BOUNDARY DIAGRAM	
MAIN STEAM SYSTEM SHEET 5 OF 5	
REV 1	APPROVED:



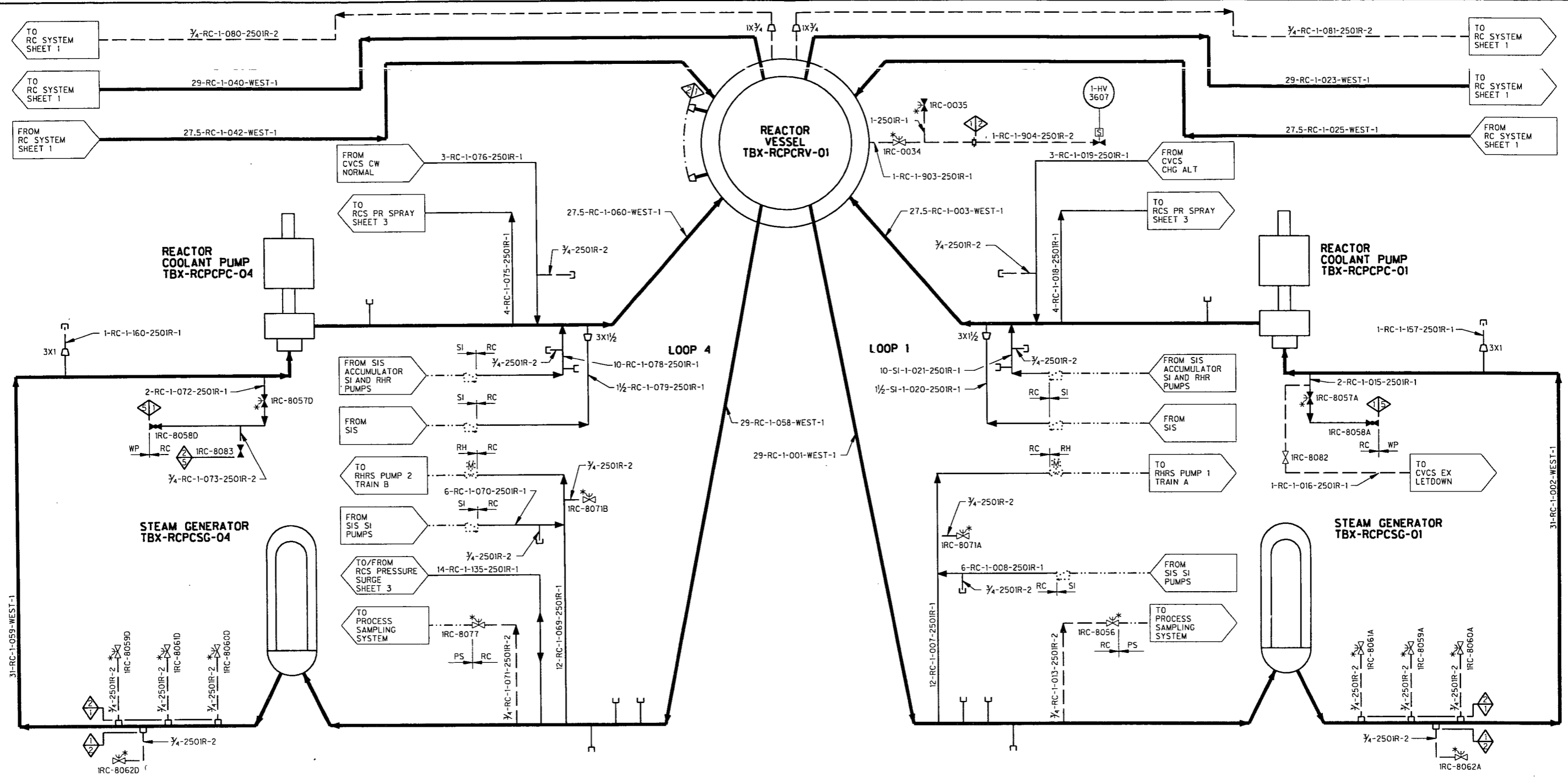
ILLUSTRATIVE USE ONLY
 THIS DIAGRAM DEVELOPED FROM FLOW DIAGRAM
 M1-0250 REV CP-31

LUMINANT
 CPNPP UNIT 1

INSERVICE INSPECTION
 BOUNDARY DIAGRAM

REACTOR COOLANT SYSTEM
 SHEET 1 OF 3

REV 2 APPROVED:



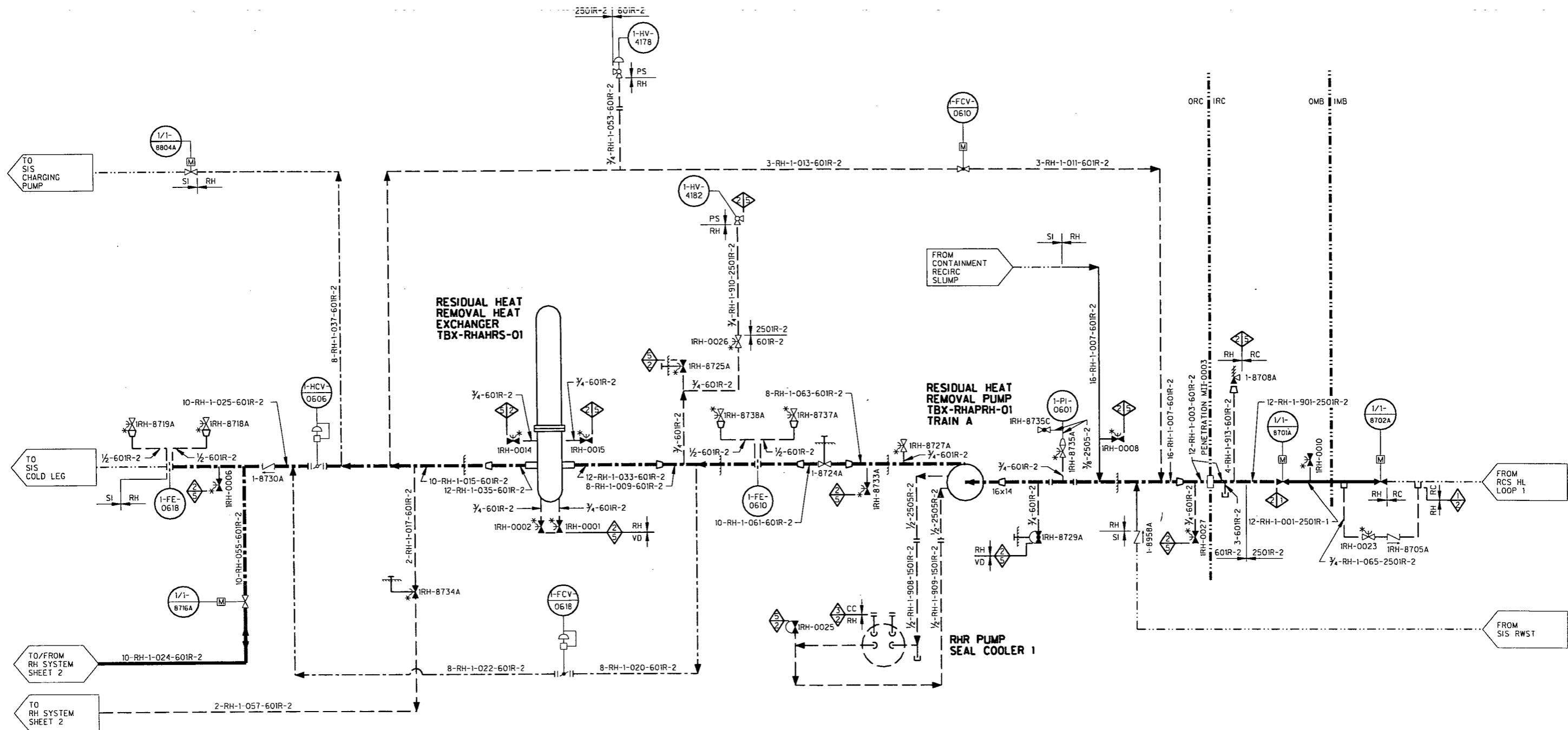
ILLUSTRATIVE USE ONLY
 THIS DIAGRAM DEVELOPED FROM FLOW DIAGRAM
 MI-0250 REV CP-31

LUMINANT
 CPNPP UNIT 1

INSERVICE INSPECTION
 BOUNDARY DIAGRAM

REACTOR COOLANT SYSTEM
 SHEET 2 OF 3

REV 2 APPROVED:



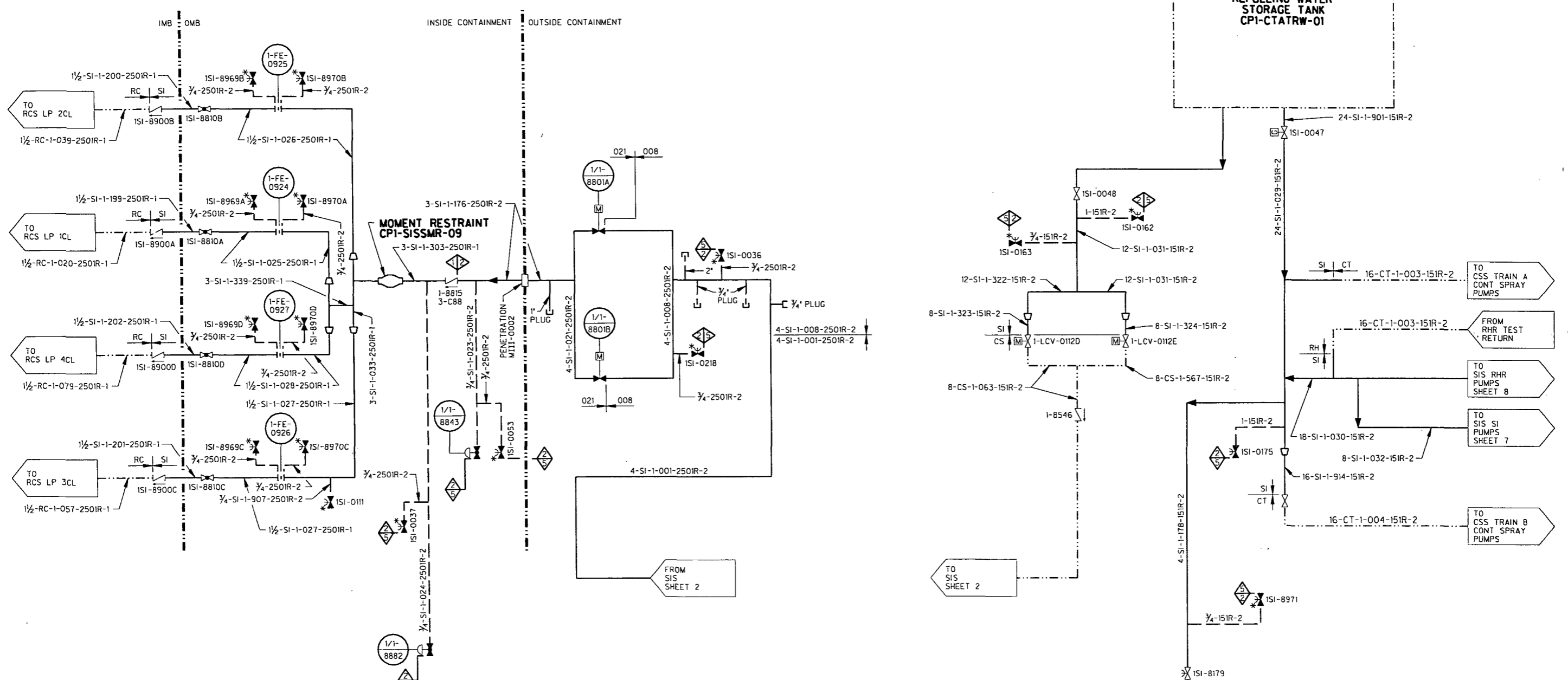
ILLUSTRATIVE USE ONLY
 THIS DIAGRAM DEVELOPED FROM FLOW DIAGRAM
 MI-0260 REV CP-34

**LUMINANT
 CPNPP UNIT 1**

**INSERVICE INSPECTION
 BOUNDARY DIAGRAM**

**RESIDUAL HEAT
 REMOVAL SYSTEM**
 SHEET 1 OF 2

REV 2 APPROVED:

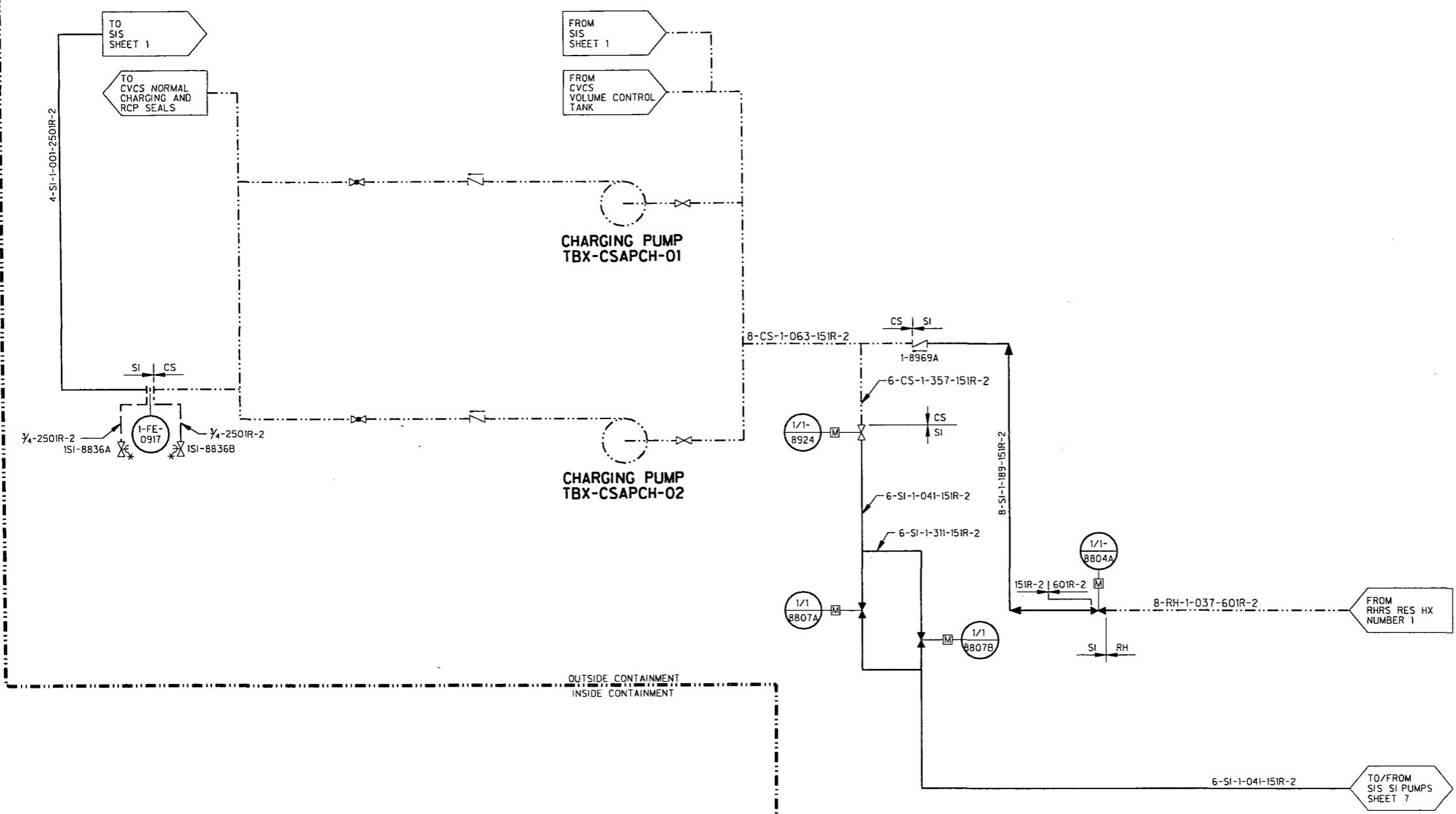


REFUELING WATER STORAGE TANK
CPI-CTATRW-01

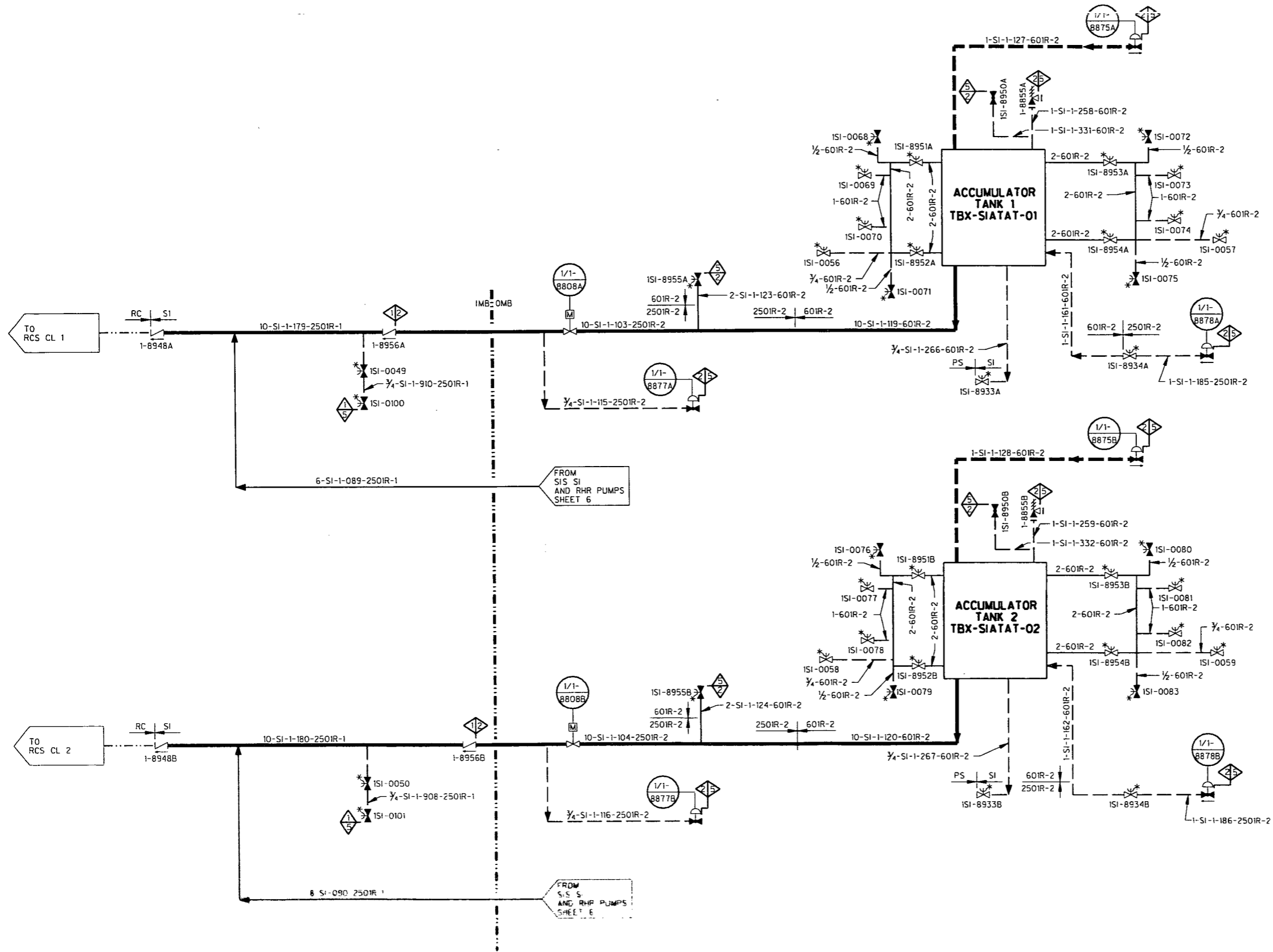
MOMENT RESTRAINT
CPI-SISSMR-09

ILLUSTRATIVE USE ONLY	
THIS DIAGRAM DEVELOPED FROM FLOW DIAGRAM M1-0251 REV CP-20	
LUMINANT CPNPP UNIT 1	
INSERVICE INSPECTION BOUNDARY DIAGRAM	
SAFETY INJECTION SYSTEM SHEET 1 OF 9	
REV 2	APPROVED:

INSIDE CONTAINMENT | OUTSIDE CONTAINMENT



ILLUSTRATIVE USE ONLY THIS DIAGRAM DEVELOPED FROM FLOW DIAGRAM M1-0261 REV CP-20	
LUMINANT CPNPP UNIT 1	
INSERVICE INSPECTION BOUNDARY DIAGRAM	
SAFETY INJECTION SYSTEM SHEET 2 OF 9	
REV 1	APPROVED:



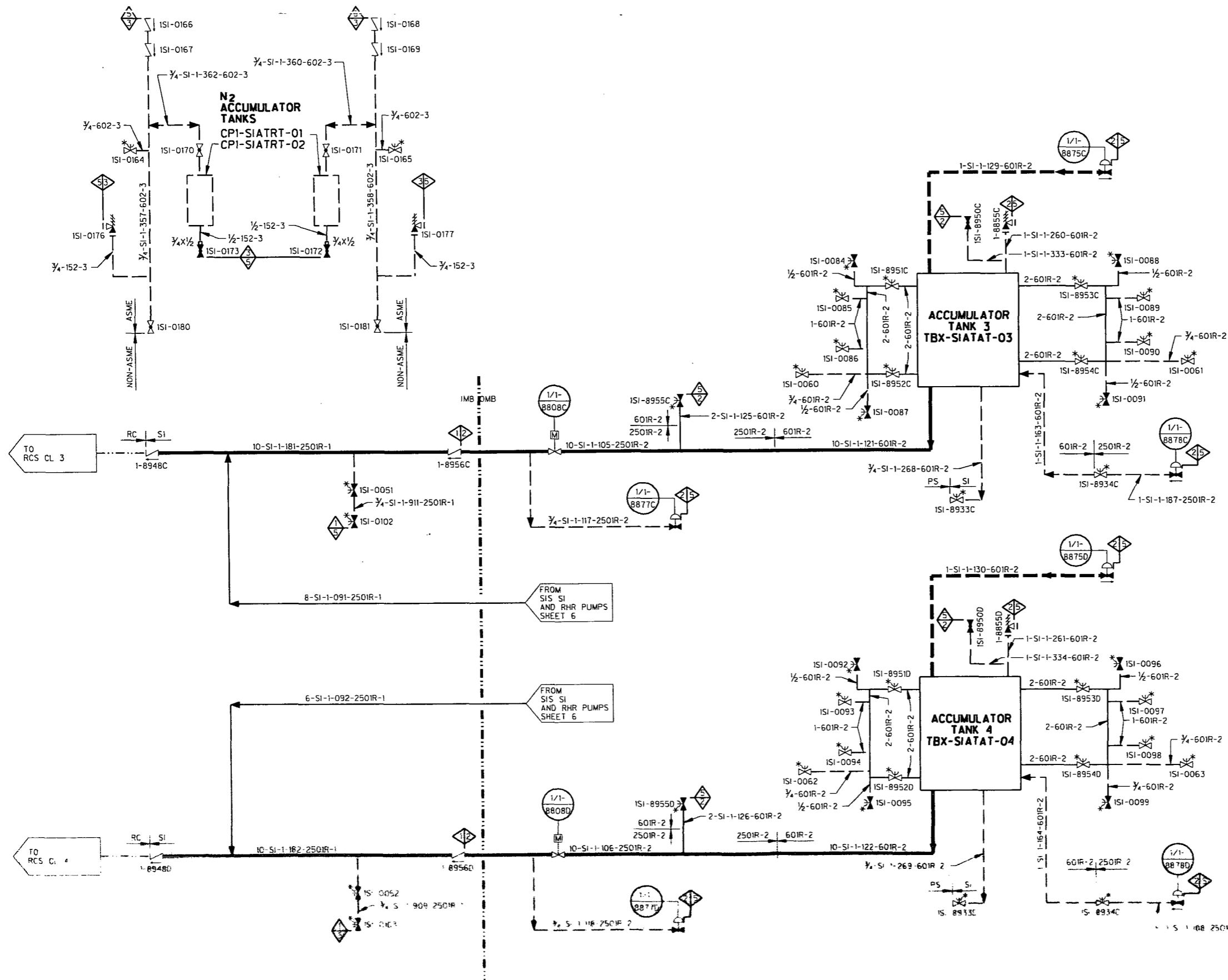
ILLUSTRATIVE USE ONLY
 THIS DIAGRAM DEVELOPED FROM FLOW DIAGRAM
 MI-0262 REV CP-26

LUMINANT
 CPNPP UNIT 1

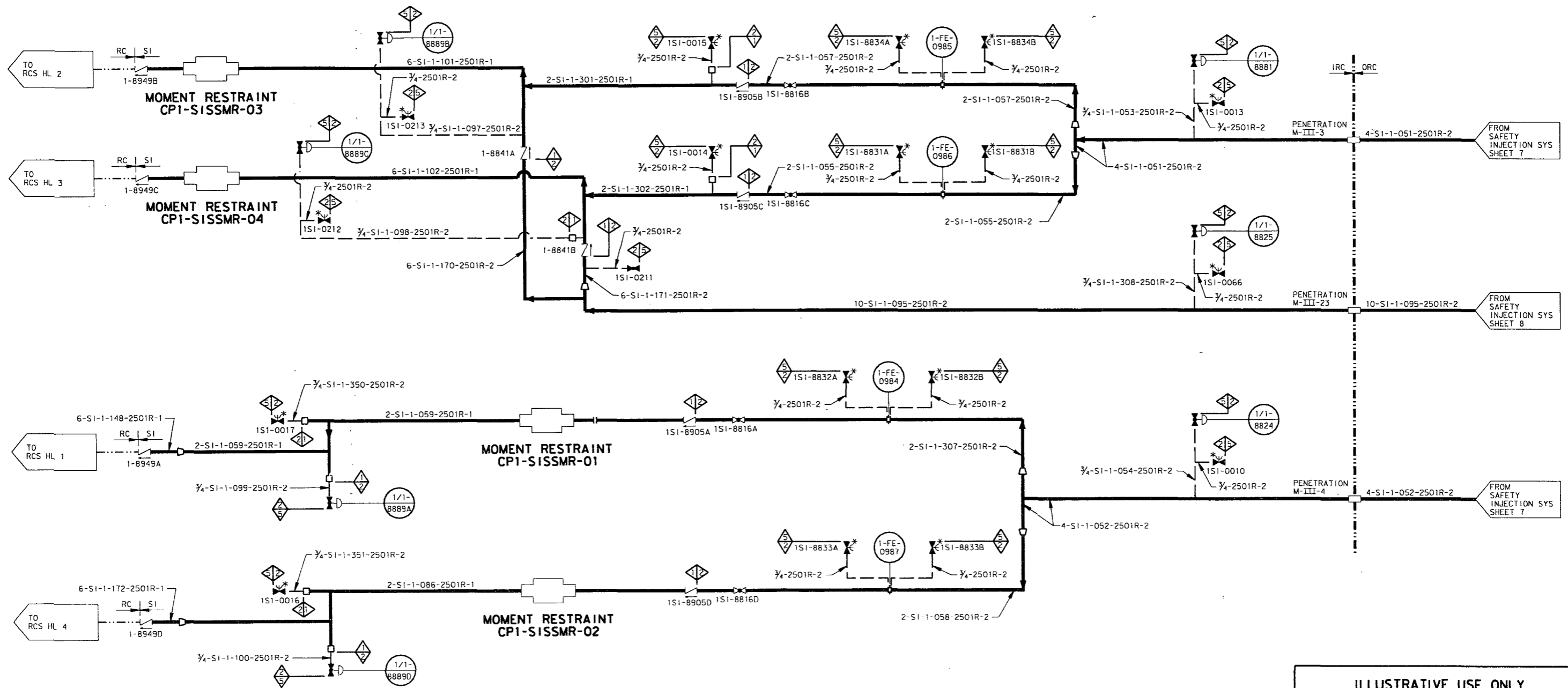
INSERVICE INSPECTION
 BOUNDARY DIAGRAM

SAFETY INJECTION SYSTEM
 SHEET 2 OF 9

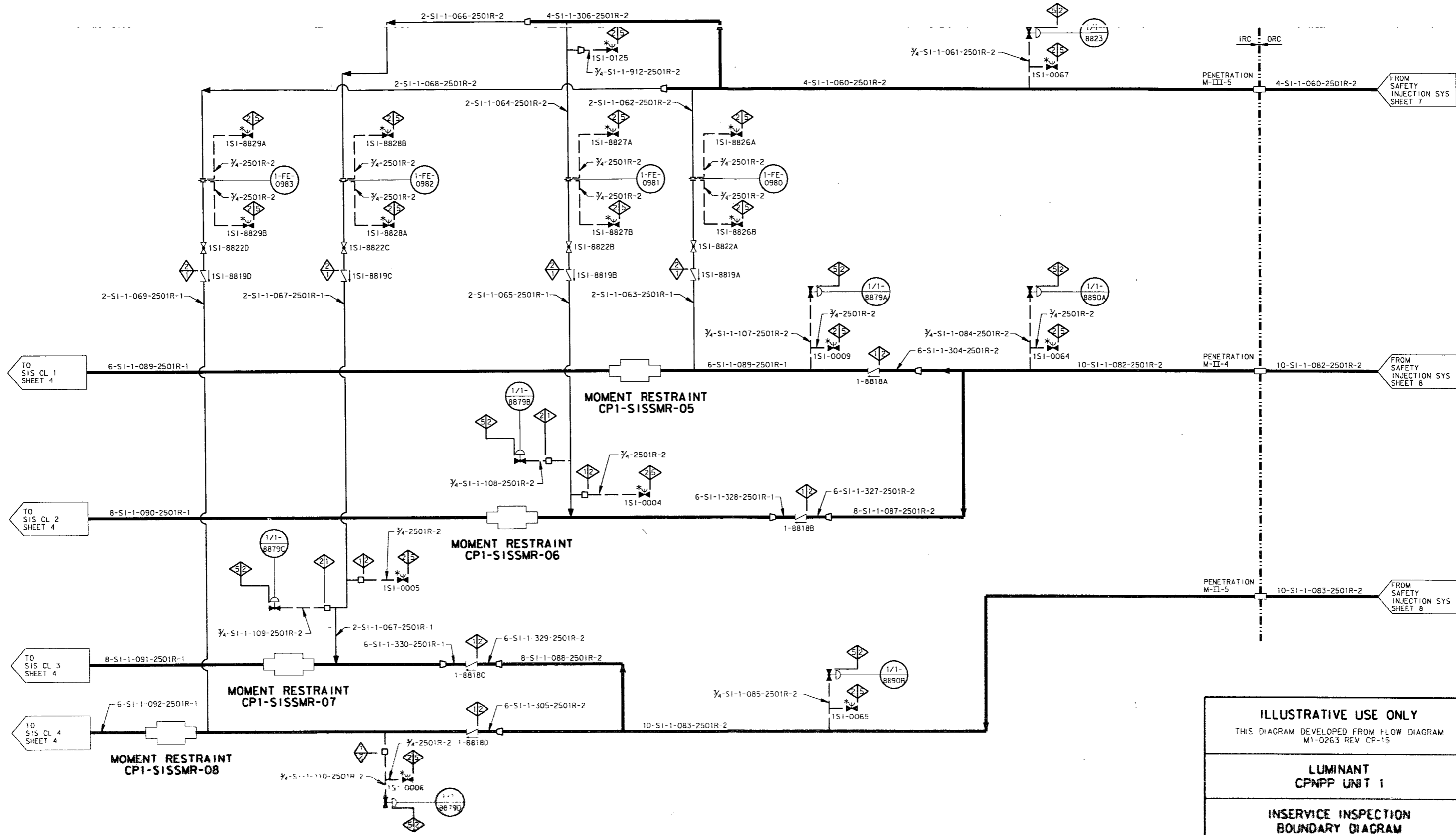
REV 2 APPROVED:



ILLUSTRATIVE USE ONLY THIS DIAGRAM DEVELOPED FROM FLOW DIAGRAM M1-0262 REV CP-26	
LUMINANT CPNPP UNIT 1	
INSERVICE INSPECTION BOUNDARY DIAGRAM	
SAFETY INJECTION SYSTEM SHEET 4 OF 9	
REV 1	APPROVED:



ILLUSTRATIVE USE ONLY	
THIS DIAGRAM DEVELOPED FROM FLOW DIAGRAM M1-0263 REV CP-15	
LUMINANT CPNPP UNIT 1	
INSERVICE INSPECTION BOUNDARY DIAGRAM	
SAFETY INJECTION SYSTEM SHEET 5 OF 9	
REV 1	APPROVED:



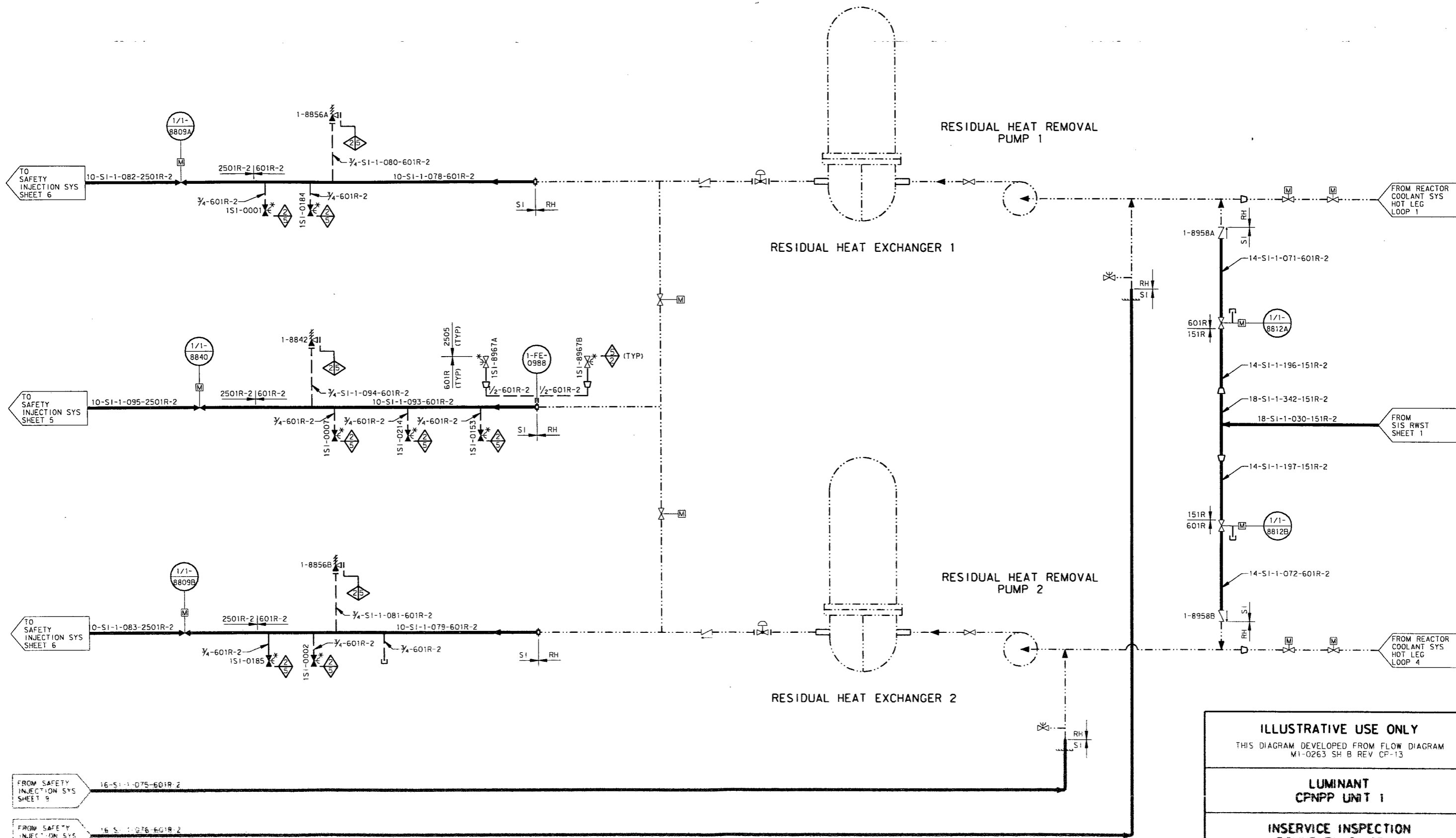
ILLUSTRATIVE USE ONLY
 THIS DIAGRAM DEVELOPED FROM FLOW DIAGRAM
 M1-0263 REV CP-15

LUMINANT
 CPNPP UNIT 1

INSERVICE INSPECTION
 BOUNDARY DIAGRAM

SAFETY INJECTION SYSTEM
 SHEET 6 OF 9

REV 1 APPROVED:



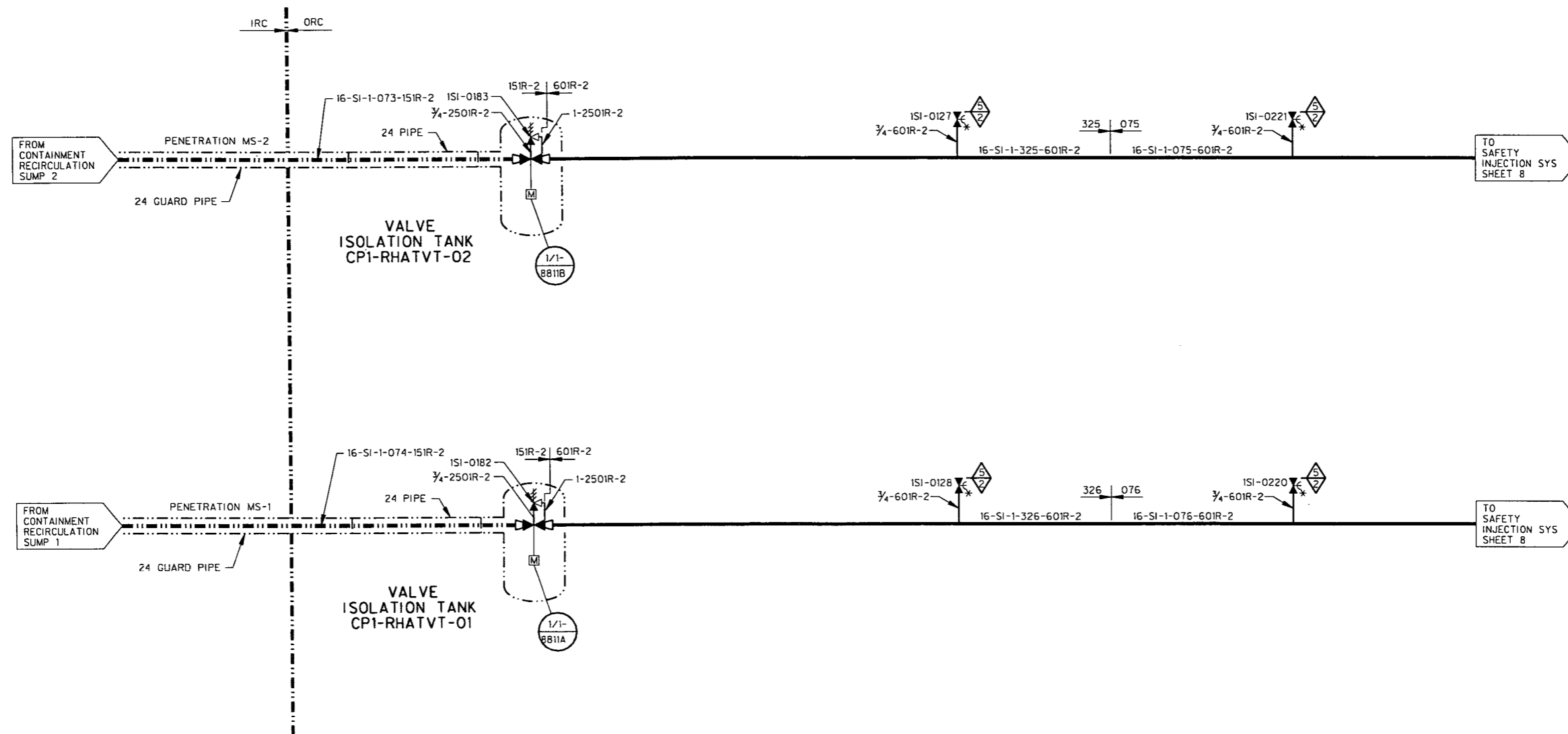
ILLUSTRATIVE USE ONLY
 THIS DIAGRAM DEVELOPED FROM FLOW DIAGRAM
 M1-0263 SH B REV CF-13

**LUMINANT
 CPNPP UNIT 1**

**INSERVICE INSPECTION
 BOUNDARY DIAGRAM**

SAFETY INJECTION SYSTEM
 SHEET B OF 9

REV 3 APPROVED:



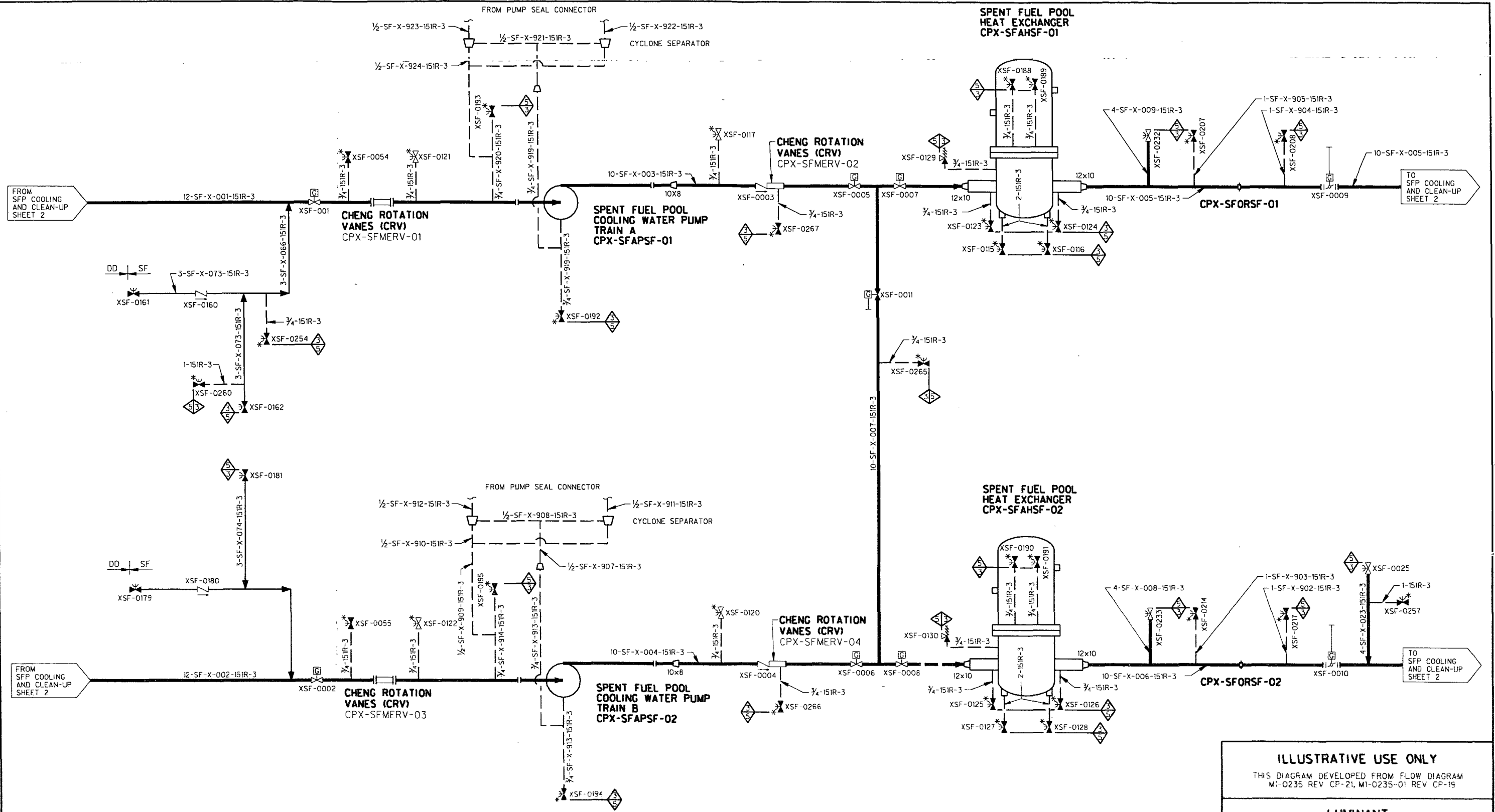
ILLUSTRATIVE USE ONLY
 THIS DIAGRAM DEVELOPED FROM FLOW DIAGRAM
 MI-0263 SH B REV CP-13

**LUMINANT
 CPNPP UNIT 1**

**INSERVICE INSPECTION
 BOUNDARY DIAGRAM**

SAFETY INJECTION SYSTEM
 SHEET 9 OF 9

REV 3 APPROVED:



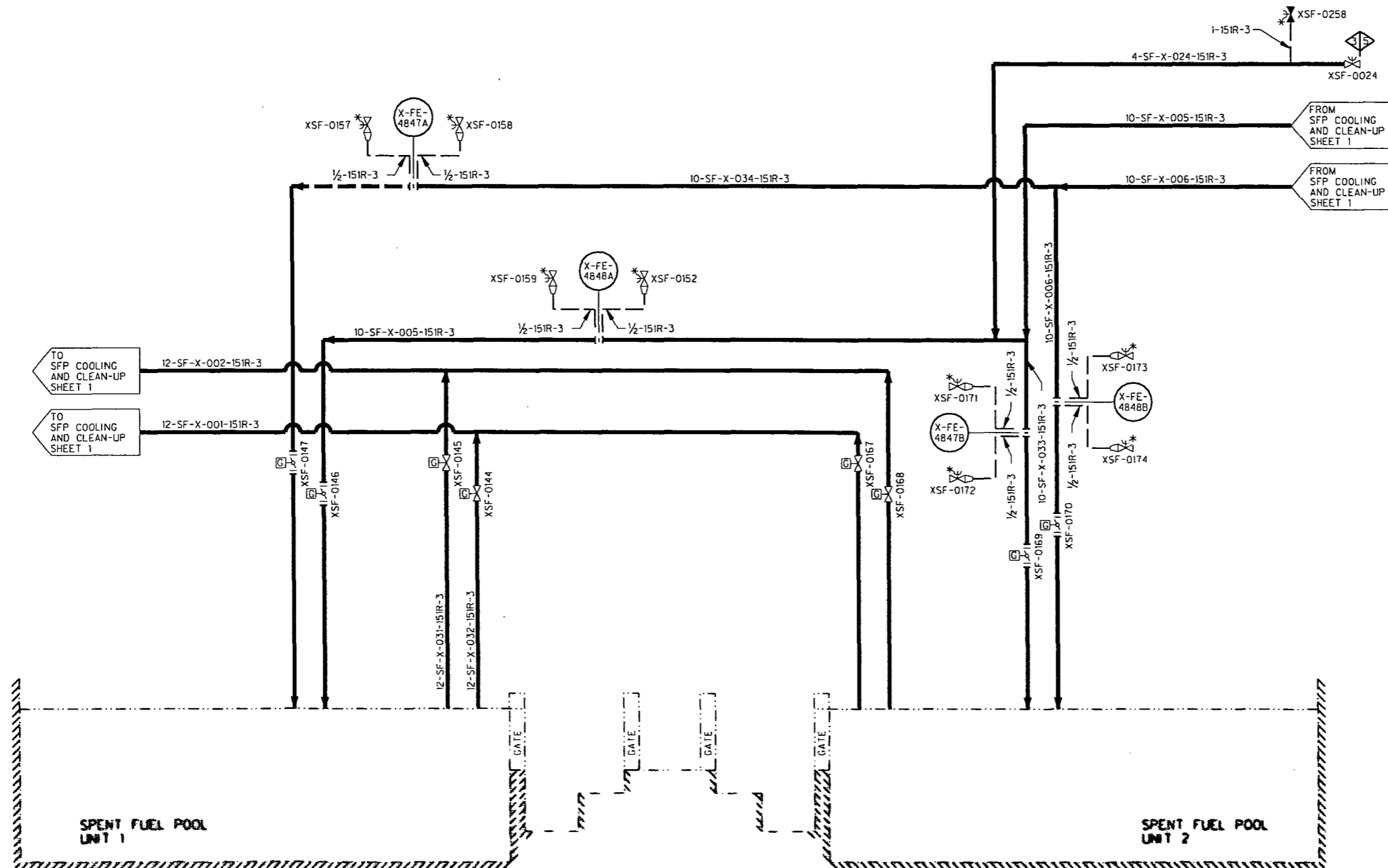
ILLUSTRATIVE USE ONLY
 THIS DIAGRAM DEVELOPED FROM FLOW DIAGRAM
 M1-0235 REV CP-21, M1-0235-01 REV CP-19

**LUMINANT
 CPNPP UNIT 1**

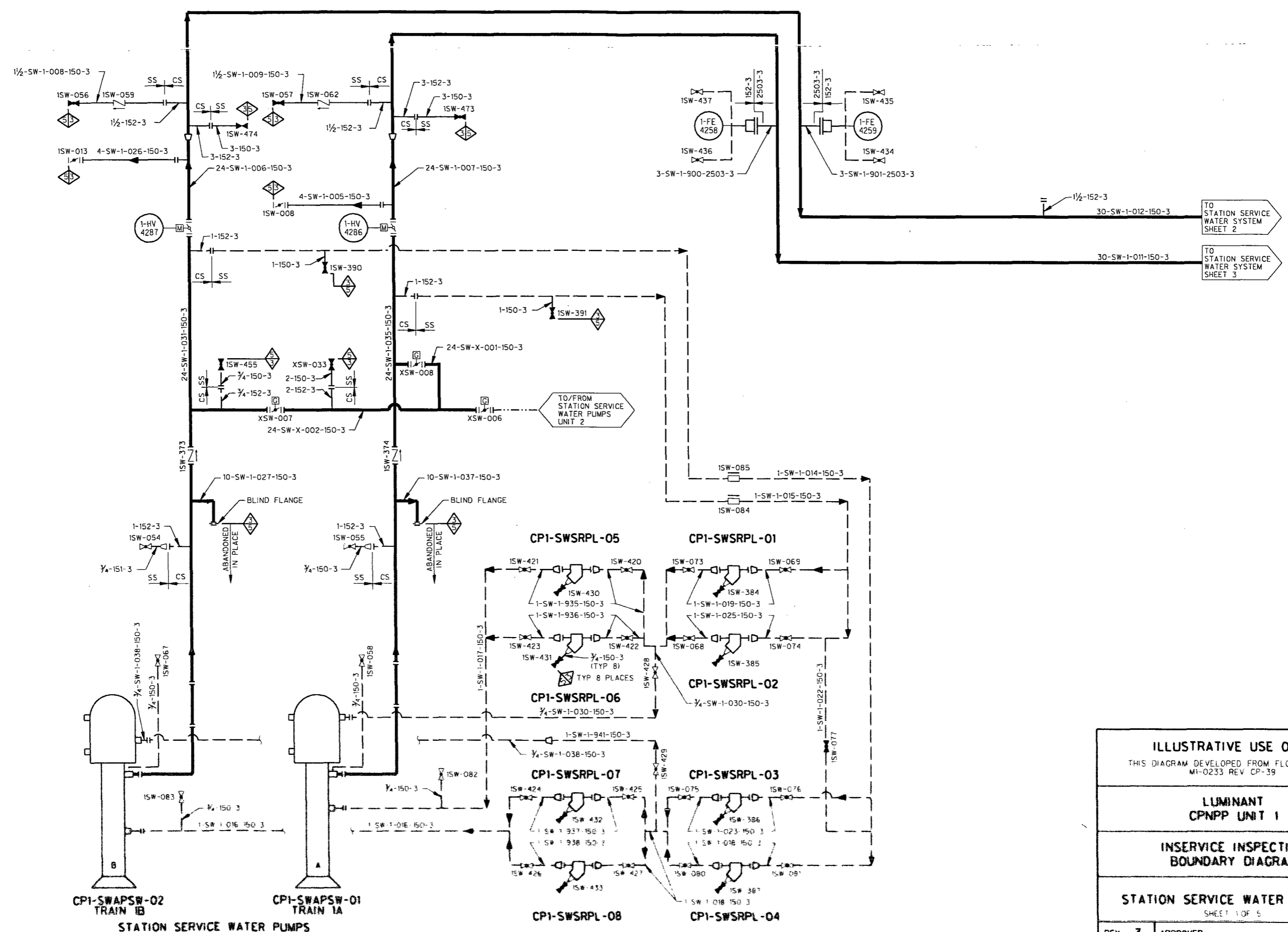
**INSERVICE INSPECTION
 BOUNDARY DIAGRAM**

**SPENT FUEL POOL COOLING
 AND CLEAN-UP SYSTEM**
 SHEET 1 OF 2

REV 2 APPROVED:

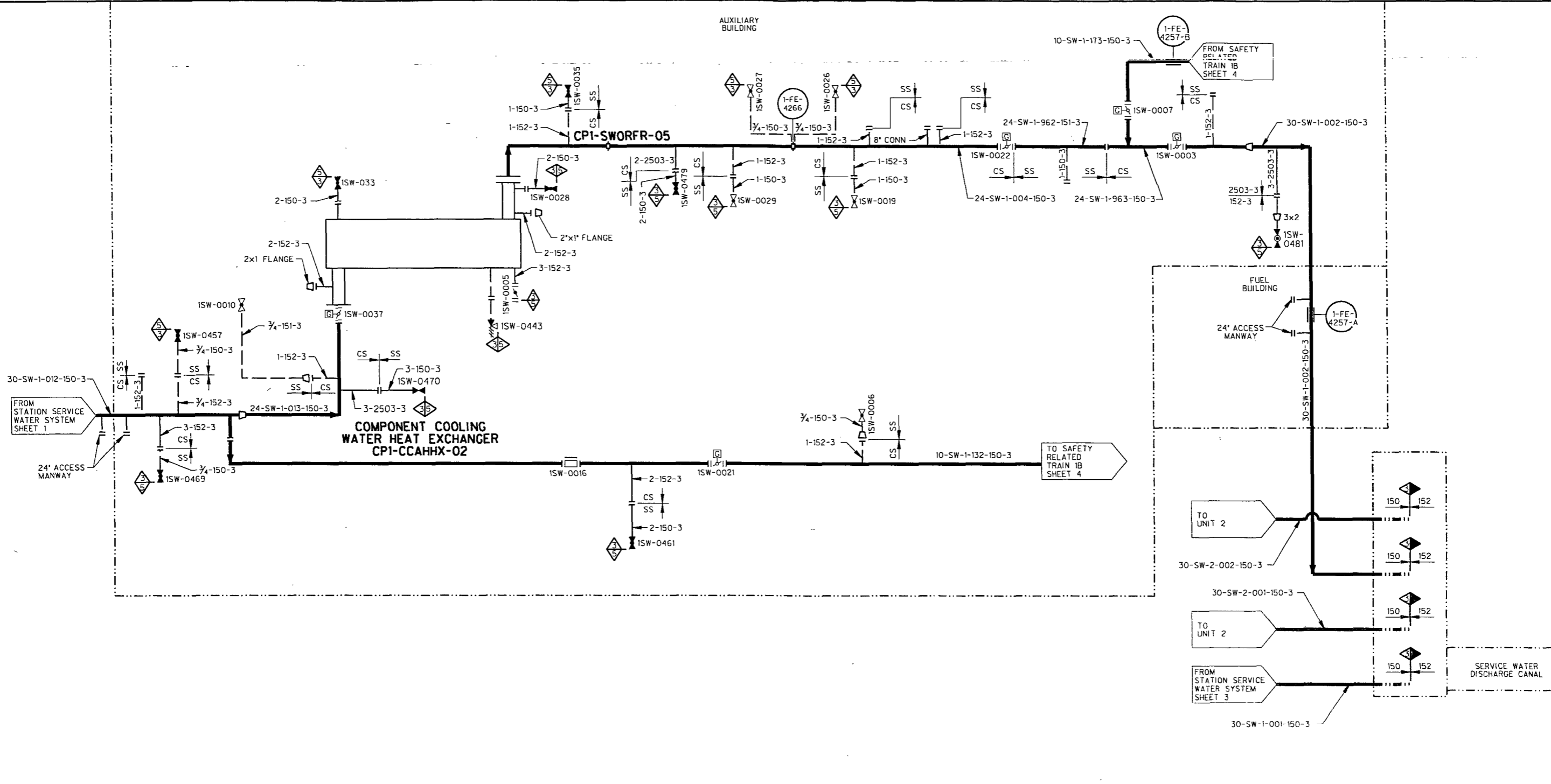


ILLUSTRATIVE USE ONLY	
THIS DIAGRAM DEVELOPED FROM FLOW DIAGRAM M1-0235-01 REV CP-19 AND M1-0235-02 REV 22	
LUMINANT CPNPP UNIT 1	
INSERVICE INSPECTION BOUNDARY DIAGRAM	
SPENT FUEL POOL COOLING AND CLEAN-UP SYSTEM SHEET 2 OF 2	
REV 2	APPROVED:

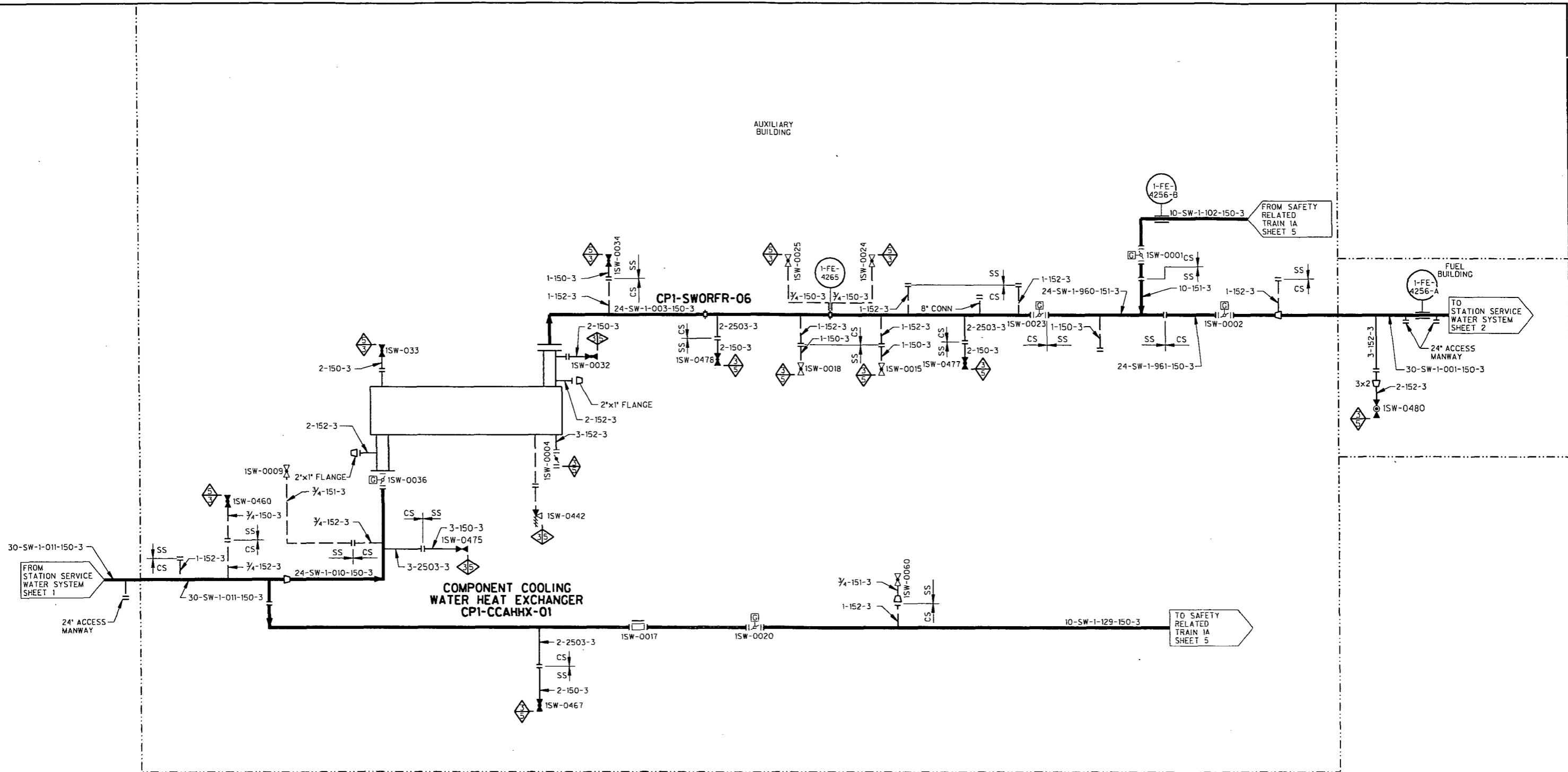


CPI-SWAPSW-02 TRAIN 1B
CPI-SWAPSW-01 TRAIN 1A
STATION SERVICE WATER PUMPS

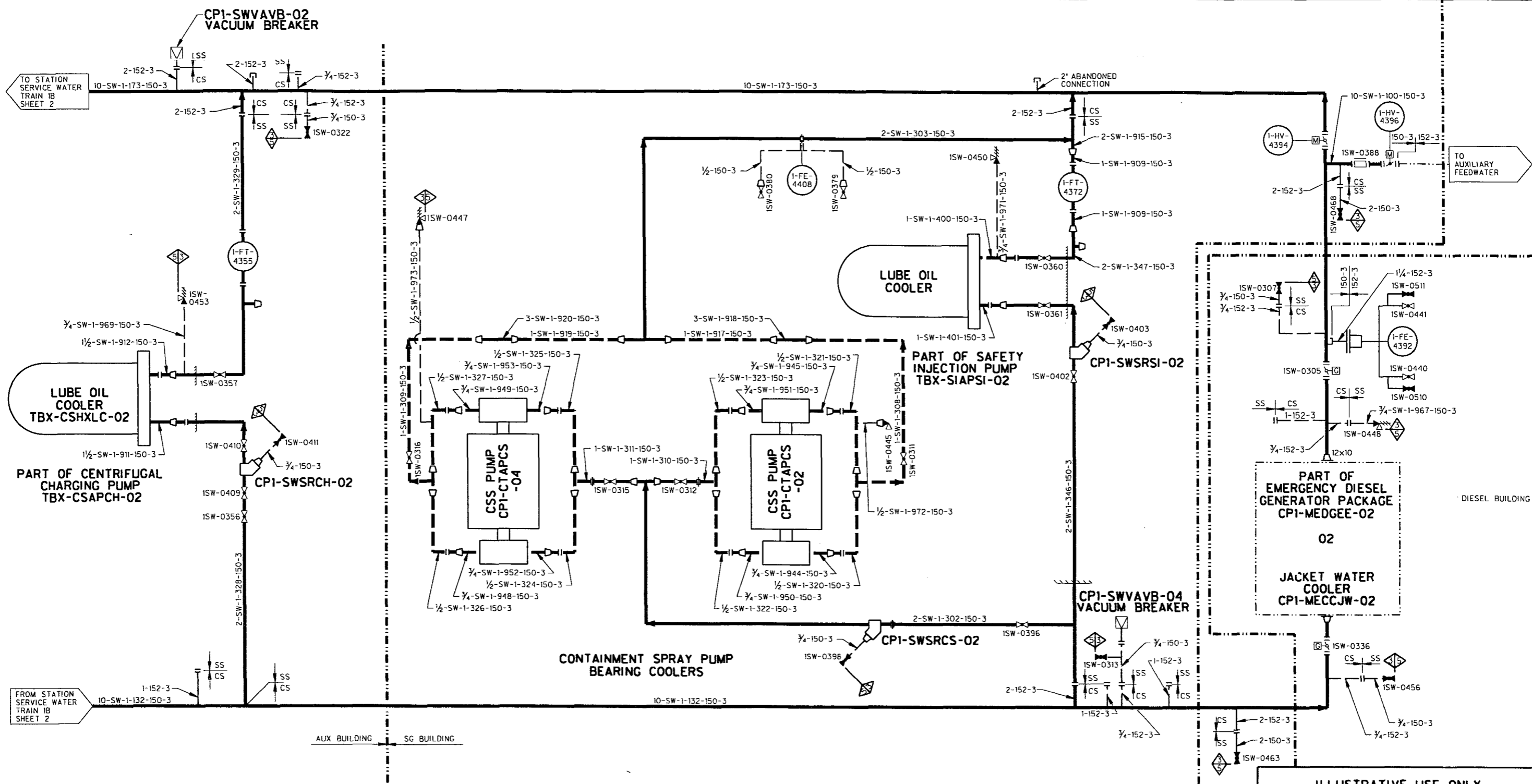
ILLUSTRATIVE USE ONLY THIS DIAGRAM DEVELOPED FROM FLOW DIAGRAM M1-0233 REV CP-39	
LUMINANT CPNPP UNIT 1	
INSERVICE INSPECTION BOUNDARY DIAGRAM	
STATION SERVICE WATER SYSTEM SHEET 1 OF 5	
REV 3	APPROVED:



ILLUSTRATIVE USE ONLY THIS DIAGRAM DEVELOPED FROM FLOW DIAGRAM MI-0233-A REV CP-1B	
LUMINANT CPNPP UNIT 1	
INSERVICE INSPECTION BOUNDARY DIAGRAM	
STATION SERVICE WATER SYSTEM SHEET 2 OF 5	
REV 2	APPROVED:



ILLUSTRATIVE USE ONLY	
THIS DIAGRAM DEVELOPED FROM FLOW DIAGRAM M1-0233-A REV CP-1B	
LUMINANT CPNPP UNIT 1	
INSERVICE INSPECTION BOUNDARY DIAGRAM	
STATION SERVICE WATER SYSTEM SHEET 3 OF 5	
REV 3	APPROVED:



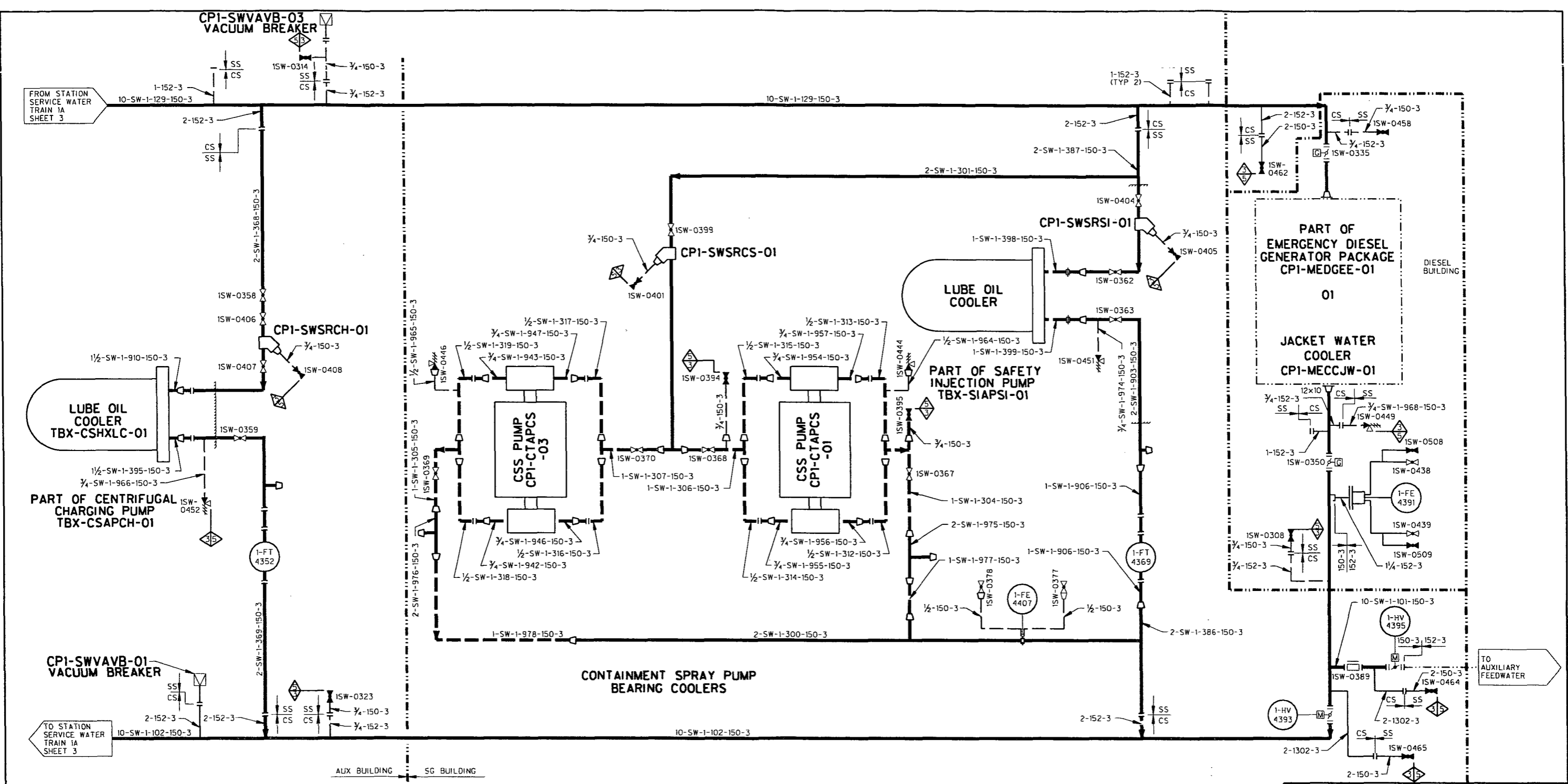
ILLUSTRATIVE USE ONLY
 THIS DIAGRAM DEVELOPED FROM FLOW DIAGRAM
 M1-0234 REV CP-23

**LUMINANT
 CPNPP UNIT 1**

**INSERVICE INSPECTION
 BOUNDARY DIAGRAM**

STATION SERVICE WATER SYSTEM
 SHEET 4 OF 5

REV 3 APPROVED:



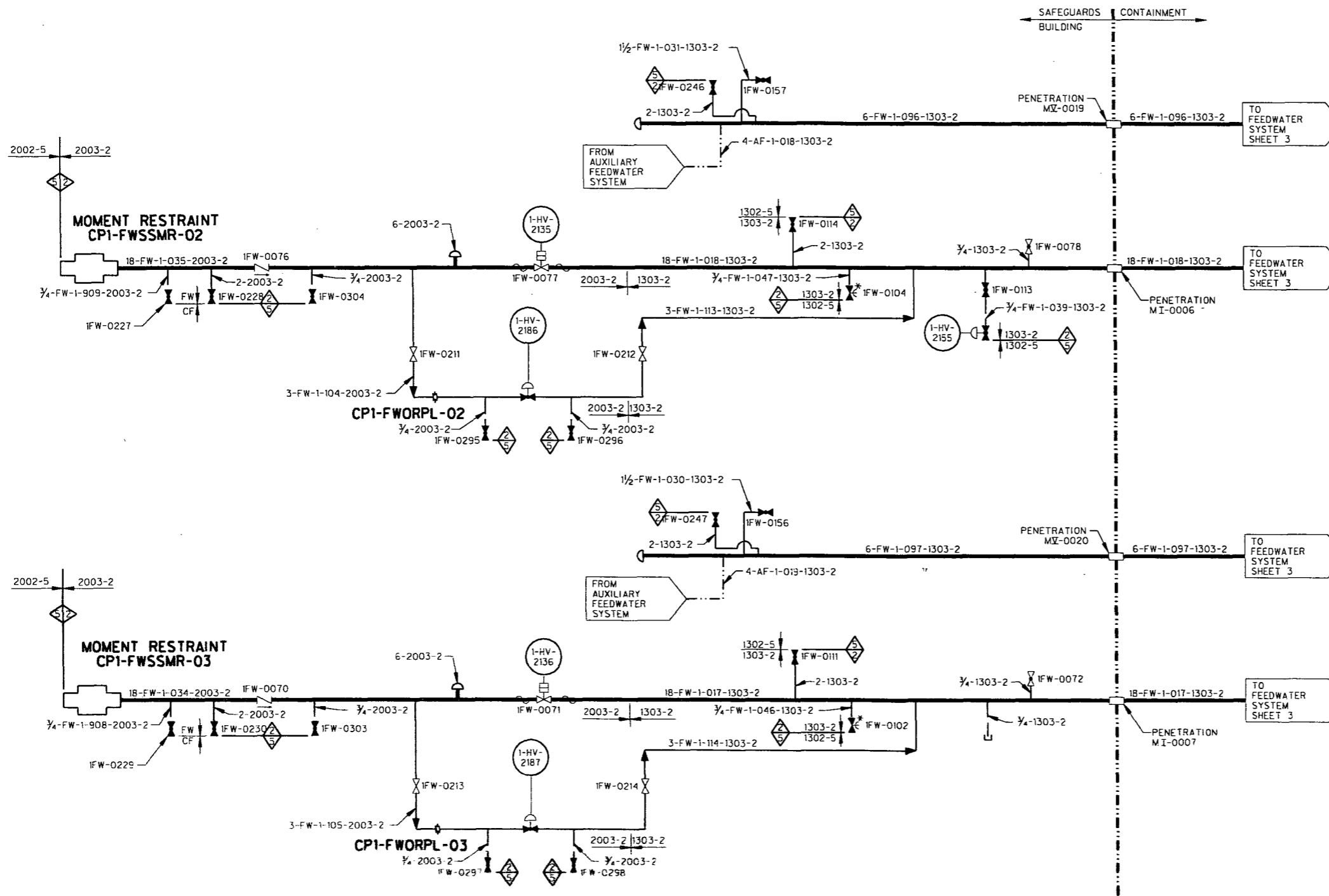
ILLUSTRATIVE USE ONLY
 THIS DIAGRAM DEVELOPED FROM FLOW DIAGRAM
 MI-0234 REV CP-23

**LUMINANT
 CPNPP UNIT 1**

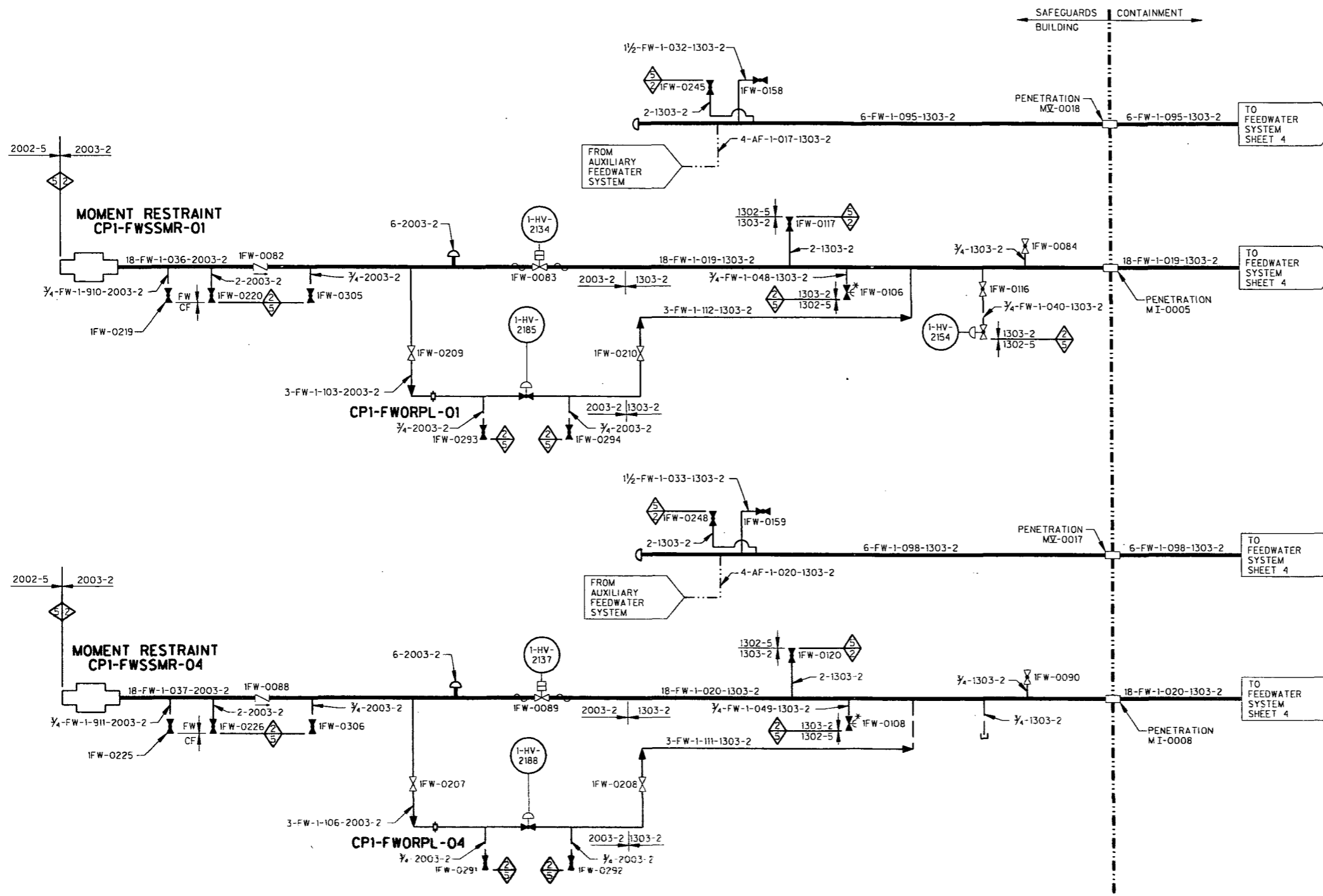
**INSERVICE INSPECTION
 BOUNDARY DIAGRAM**

STATION SERVICE WATER SYSTEM
 SHEET 5 OF 5

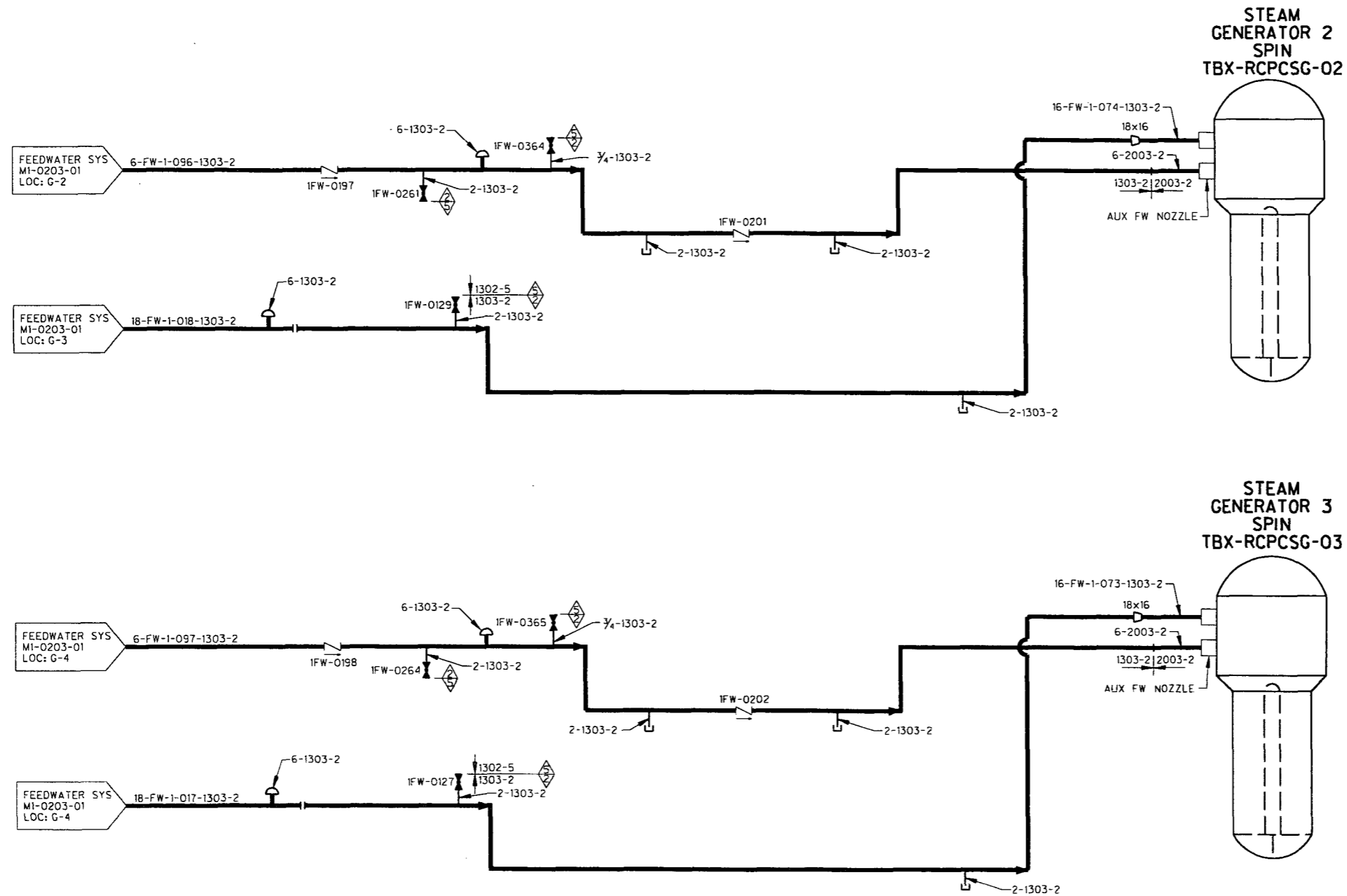
REV 2 APPROVED:



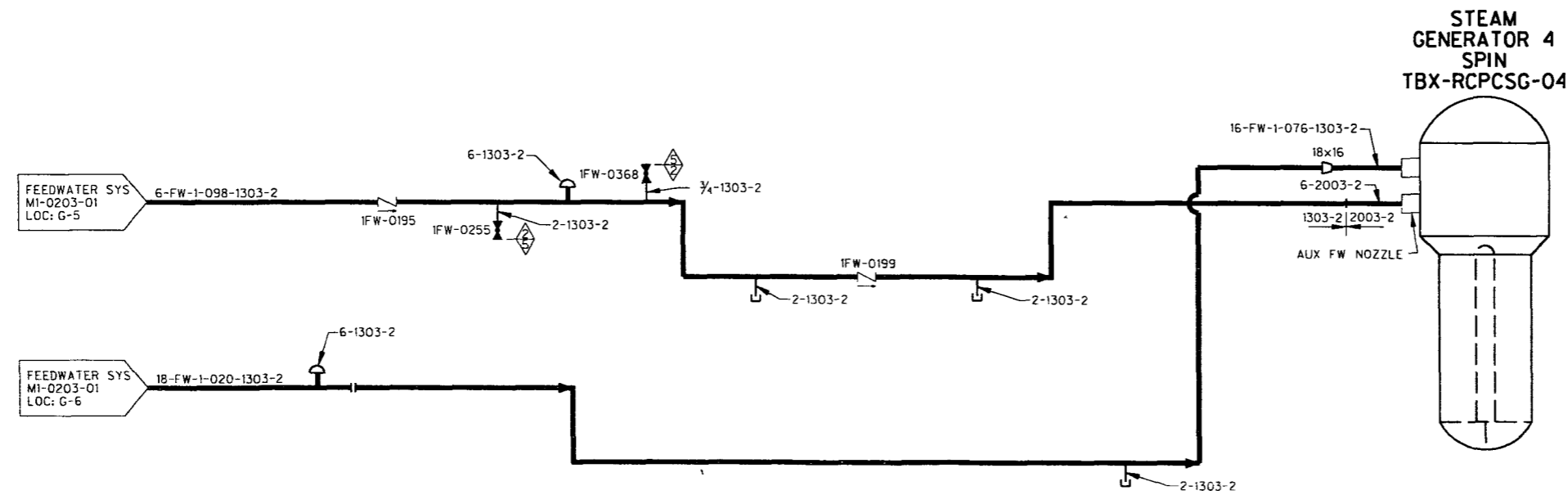
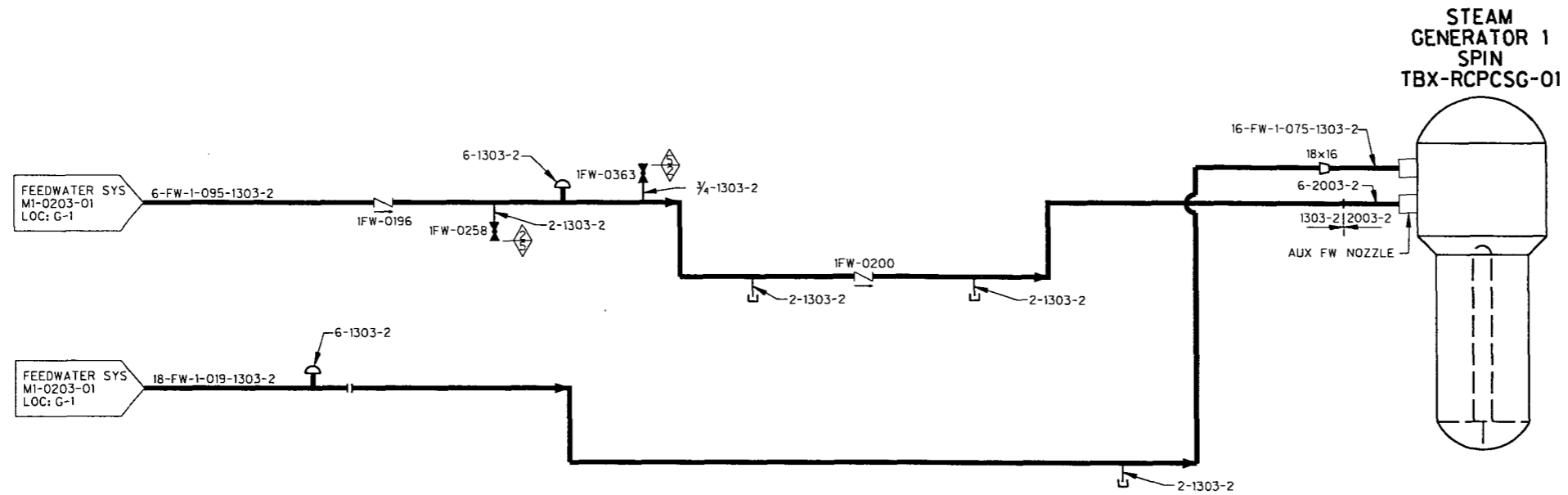
ILLUSTRATIVE USE ONLY THIS DIAGRAM DEVELOPED FROM FLOW DIAGRAM MI-0203-01 REV CP-25	
LUMINANT CNPP UNIT 1	
INSERVICE INSPECTION BOUNDARY DIAGRAM	
STEAM GENERATOR FEEDWATER SYSTEM <small>SHEET 1 OF 4</small>	
REV 1	APPROVED:



ILLUSTRATIVE USE ONLY	
THIS DIAGRAM DEVELOPED FROM FLOW DIAGRAM M1-0203-01 REV CP-25	
LUMINANT CPNPP UNIT 1	
INSERVICE INSPECTION BOUNDARY DIAGRAM	
STEAM GENERATOR FEEDWATER SYSTEM SHEET 2 OF 4	
REV 2	APPROVED:



ILLUSTRATIVE USE ONLY THIS DIAGRAM DEVELOPED FROM FLOW DIAGRAM MI-0203-01A REV CP-15	
LUMINANT CPNPP UNIT 1	
INSERVICE INSPECTION BOUNDARY DIAGRAM	
STEAM GENERATOR FEEDWATER SYSTEM <small>SHEET 3 OF 4</small>	
REV 2	APPROVED:



ILLUSTRATIVE USE ONLY THIS DIAGRAM DEVELOPED FROM FLOW DIAGRAM MI-0203-01A REV CP-15	
LUMINANT CPNPP UNIT 1	
INSERVICE INSPECTION BOUNDARY DIAGRAM	
STEAM GENERATOR FEEDWATER SYSTEM SHEET 4 OF 4	
REV 2	APPROVED: