

LEGEND

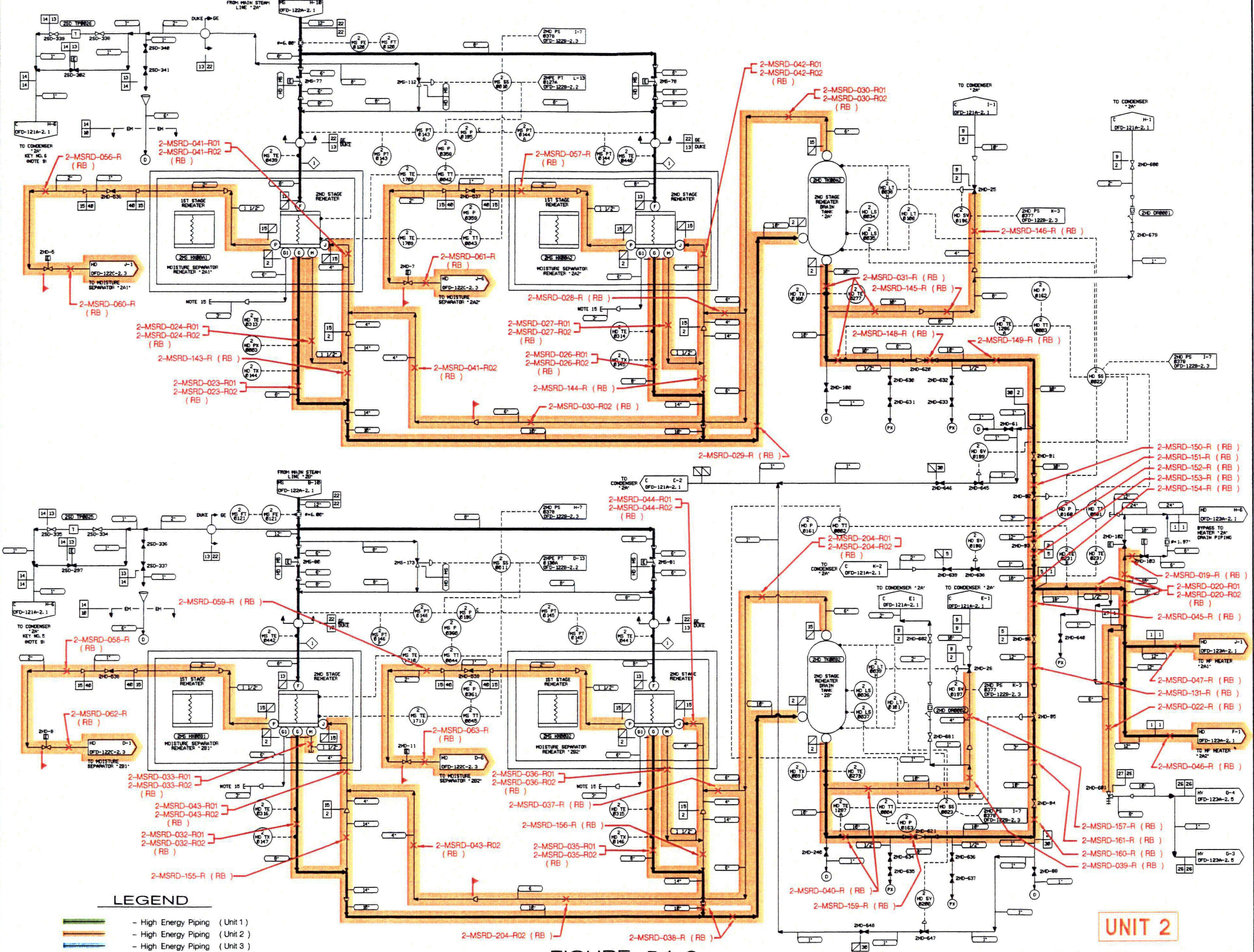
- High Energy Piping (Unit 1)
- High Energy Piping (Unit 2)
- High Energy Piping (Unit 3)
- X High Energy Line Break Location
- N-SYS-NNN (N) Break Number
- TE Terminal End (Break)
- RB Running Break
- CR Critical Crack
- IB Intermediate Break
- ↑ Running Break Boundary

FIGURE 5.1-9
MOISTURE SEPARATOR REHEATER DRAIN SYSTEM

High Energy Lines, Piping Configurations,
 Boundaries, Break Locations and Numbers
 (Sheet 1 of 6)

UNIT 2

THIS DIAGRAM IS FOR HIGH ENERGY LINE
 BREAK PURPOSES ONLY.
 REFERENCE FLOW DIAGRAM OFD-122C-2.1 FOR
 COMPLETE SYSTEM DESIGN INFORMATION.



LEGEND

- High Energy Piping (Unit 1)
- High Energy Piping (Unit 2)
- High Energy Piping (Unit 3)
- X High Energy Line Break Location
- N-SYS-NNN (-N) Break Number
- TE Terminal End (Break)
- RB Running Break
- CR Critical Crack
- IB Intermediate Break
- ▶ Running Break Boundary

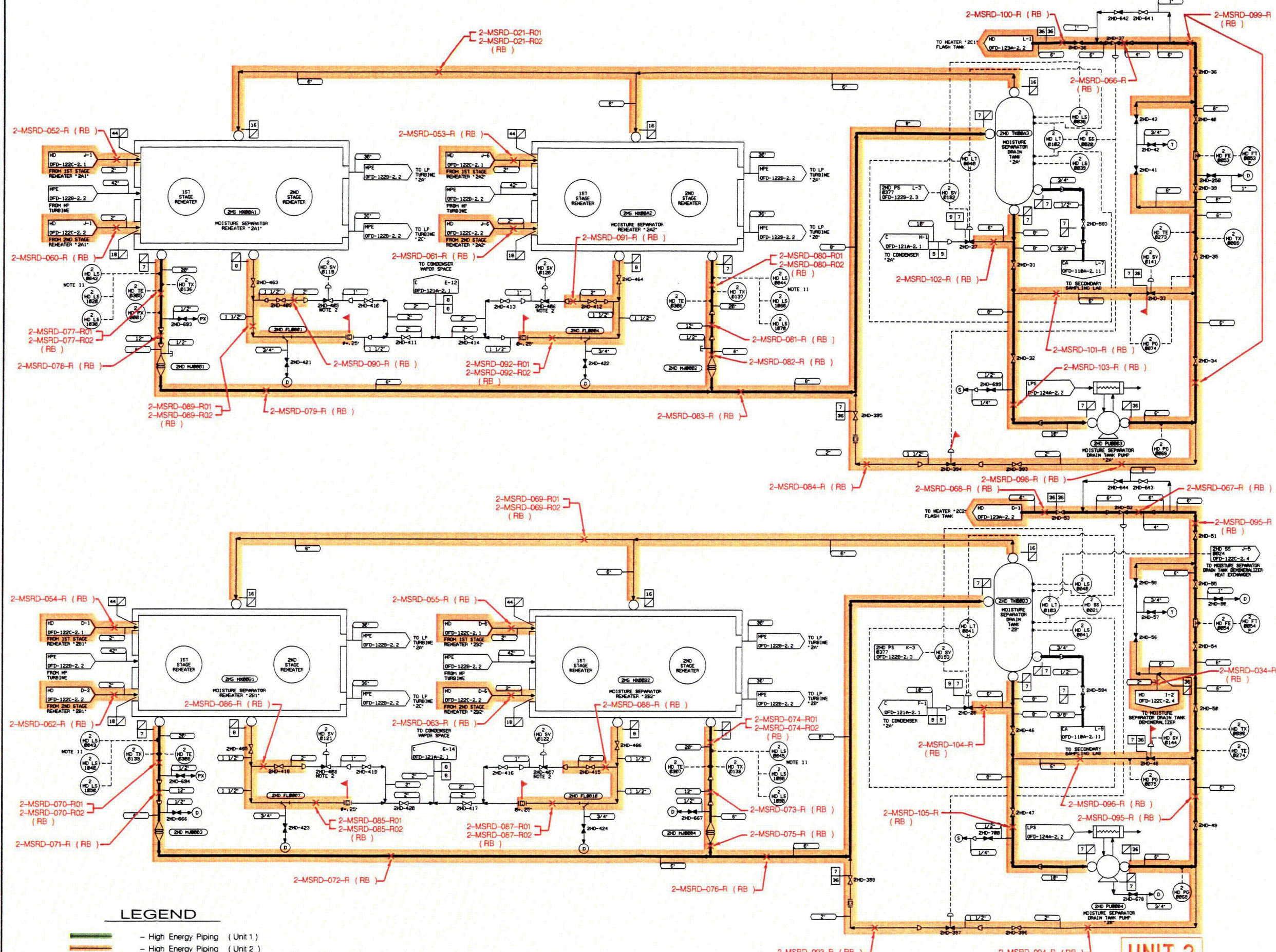
FIGURE 5.1-9
MOISTURE SEPARATOR REHEATER DRAIN SYSTEM

High Energy Lines, Piping Configurations,
 Boundaries, Break Locations and Numbers
 (Sheet 2 of 6)

UNIT 2

THIS DIAGRAM IS FOR HIGH ENERGY LINE
 BREAK PURPOSES ONLY.
 REFERENCE FLOW DIAGRAM OFD-122C-2.2 FOR
 COMPLETE SYSTEM DESIGN INFORMATION.

HELB-122C-02-02



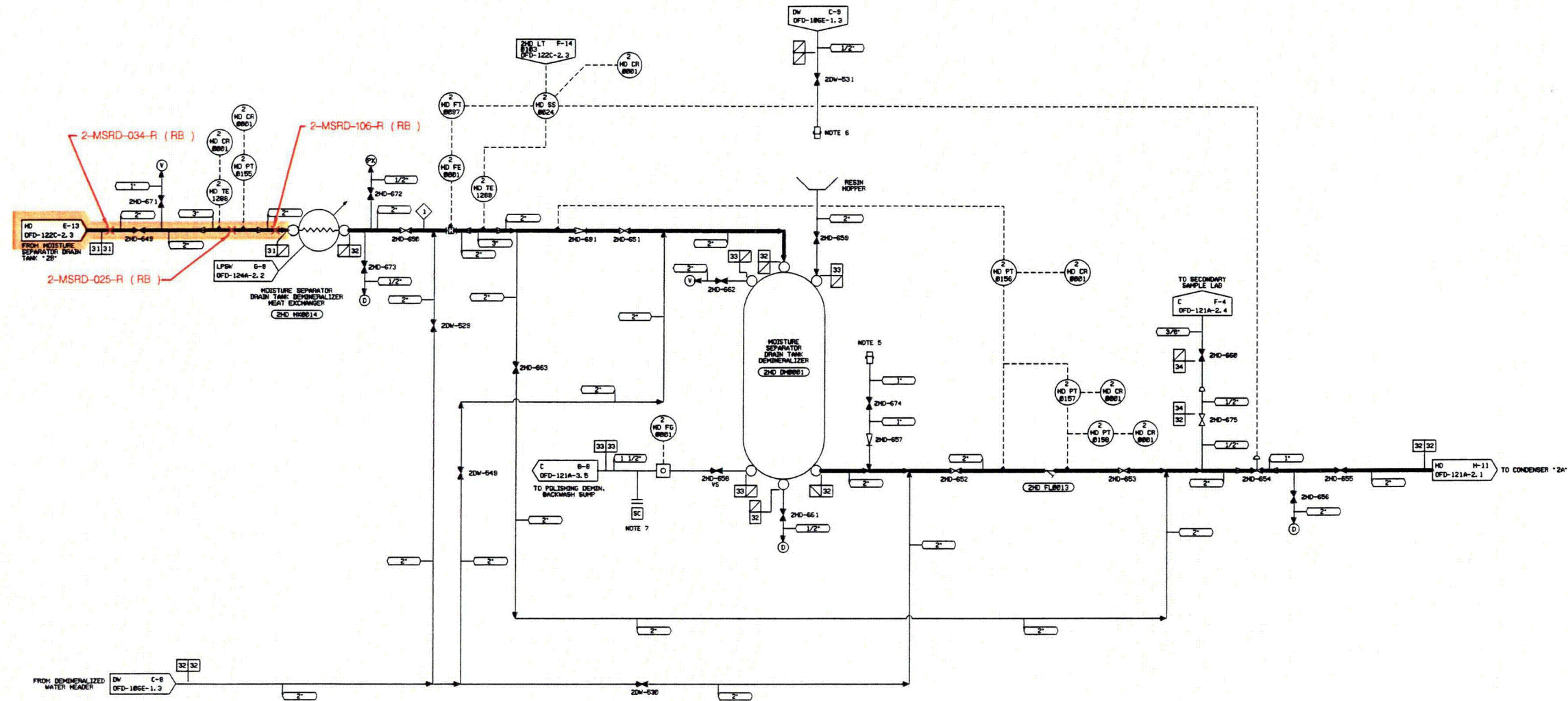
- LEGEND**
- - High Energy Piping (Unit 1)
 - - High Energy Piping (Unit 2)
 - - High Energy Piping (Unit 3)
 - X - High Energy Line Break Location
 - N-SYS-NNN (-N) - Break Number
 - TE - Terminal End (Break)
 - RB - Running Break
 - CR - Critical Crack
 - IB - Intermediate Break
 - ↑ - Running Break Boundary

FIGURE 5.1-9
MOISTURE SEPARATOR REHEATER DRAIN SYSTEM
 High Energy Lines, Piping Configurations,
 Boundaries, Break Locations and Numbers
 (Sheet 3 of 6)

UNIT 2

THIS DIAGRAM IS FOR HIGH ENERGY LINE
 BREAK PURPOSES ONLY.
 REFERENCE FLOW DIAGRAM OFD-122C-2.3 FOR
 COMPLETE SYSTEM DESIGN INFORMATION.

HELB-122C-02-03



LEGEND

- - High Energy Piping (Unit 1)
- - High Energy Piping (Unit 2)
- - High Energy Piping (Unit 3)
- X - High Energy Line Break Location
- N-SYS-NNN (-N) - Break Number
- TE - Terminal End (Break)
- RB - Running Break
- CR - Critical Crack
- IB - Intermediate Break
- ↑ - Running Break Boundary

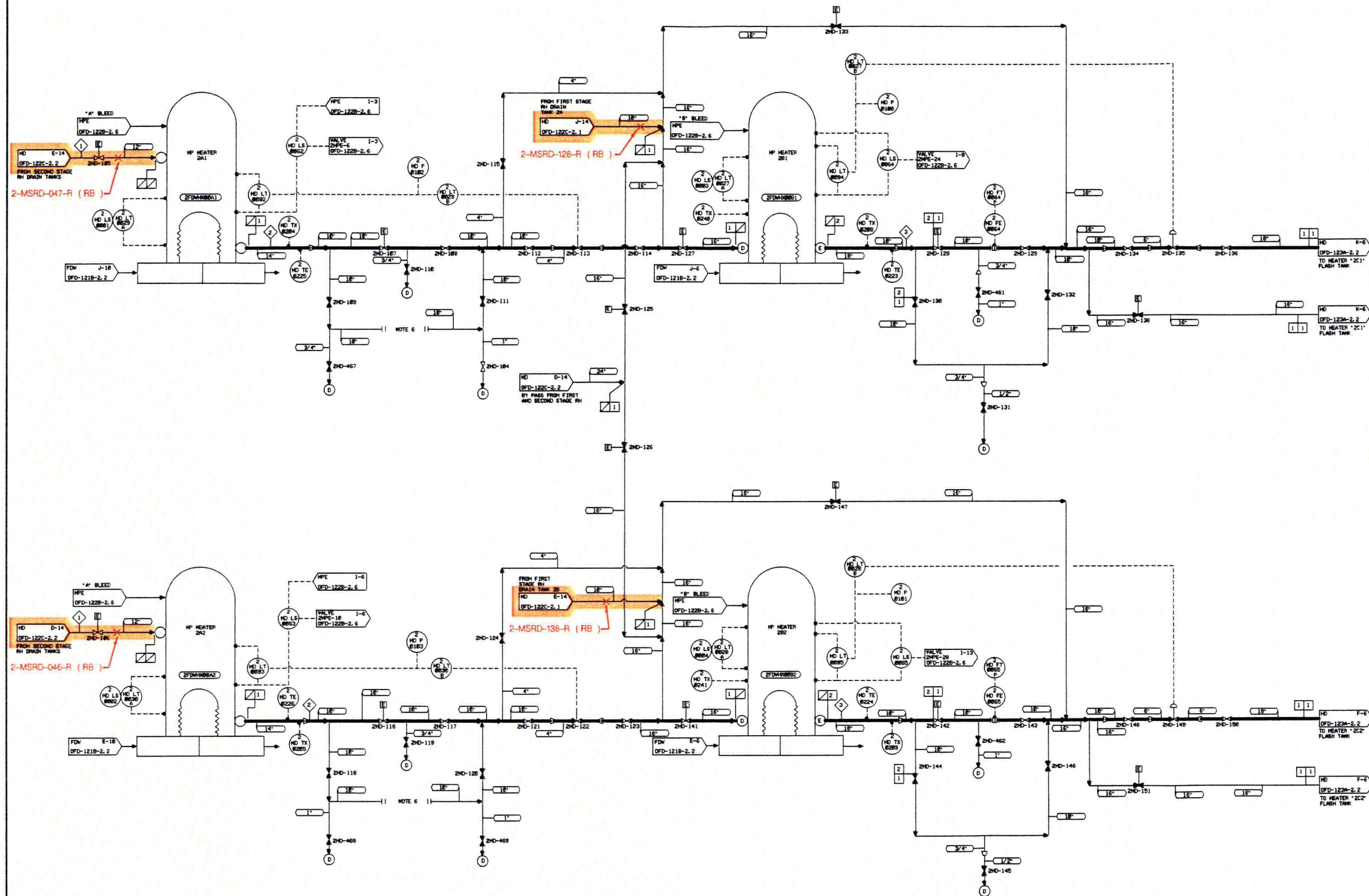
FIGURE 5.1-9
MOISTURE SEPARATOR REHEATER DRAIN SYSTEM

High Energy Lines, Piping Configurations,
 Boundaries, Break Locations and Numbers
 (Sheet 4 of 6)

UNIT 2

THIS DIAGRAM IS FOR HIGH ENERGY LINE
 BREAK PURPOSES ONLY.
 REFERENCE FLOW DIAGRAM OFD-122C-2.4 FOR
 COMPLETE SYSTEM DESIGN INFORMATION.

HELB-122C-02-04



LEGEND

- - High Energy Piping (Unit 1)
- - High Energy Piping (Unit 2)
- - High Energy Piping (Unit 3)
- X - High Energy Line Break Location
- N-SYS-NNN (-N) - Break Number
- TE - Terminal End (Break)
- RB - Running Break
- CR - Critical Crack
- IB - Intermediate Break
- ↑ - Running Break Boundary

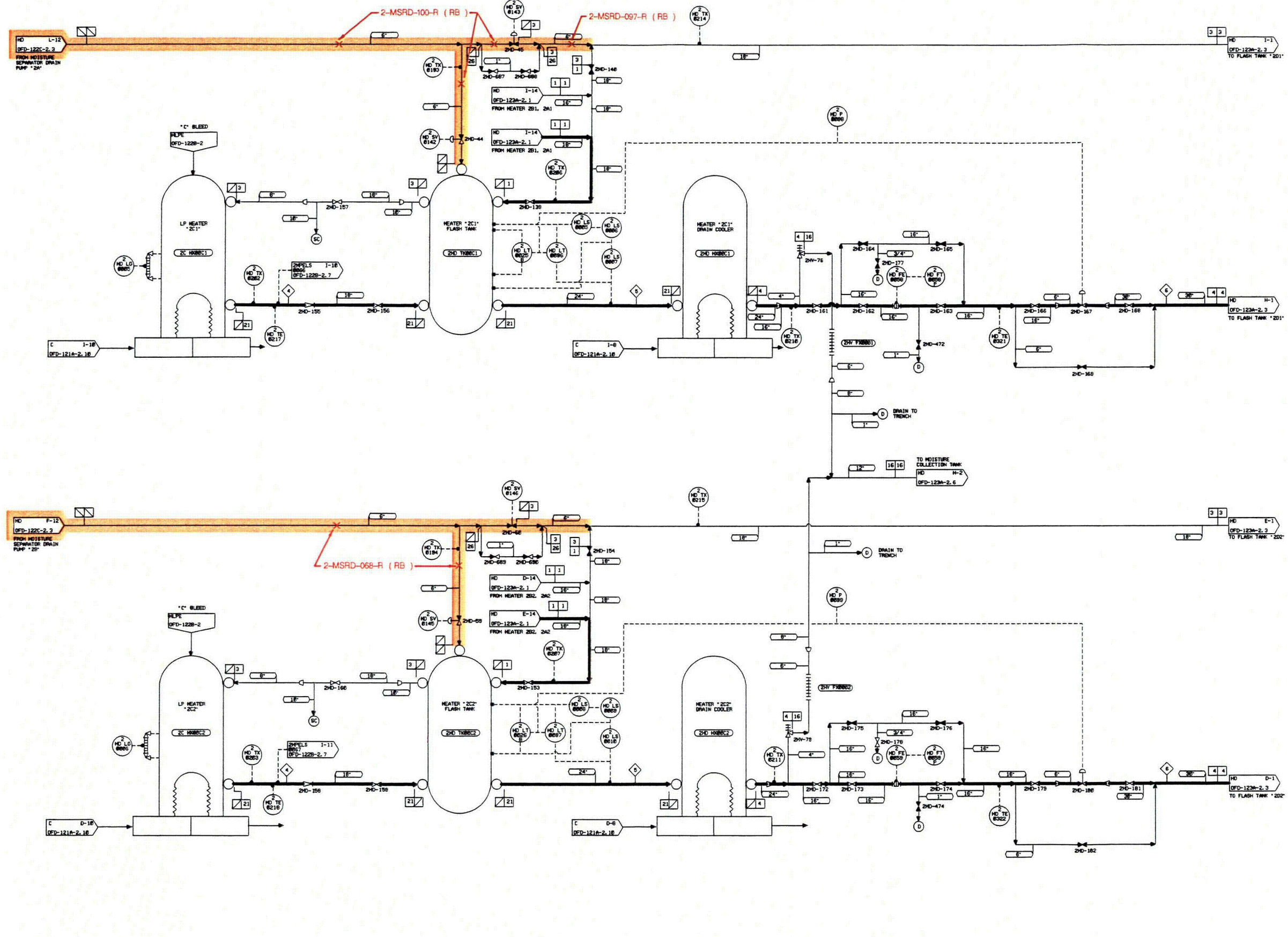
FIGURE 5.1-9
MOISTURE SEPARATOR REHEATER DRAIN SYSTEM

High Energy Lines, Piping Configurations,
 Boundaries, Break Locations and Numbers
 (Sheet 5 of 6)

UNIT 2

THIS DIAGRAM IS FOR HIGH ENERGY LINE
 BREAK PURPOSES ONLY.
 REFERENCE FLOW DIAGRAM OFD-123A-2.1 FOR
 COMPLETE SYSTEM DESIGN INFORMATION.

HELB-123A-02-01



LEGEND

- High Energy Piping (Unit 1)
- High Energy Piping (Unit 2)
- High Energy Piping (Unit 3)
- X High Energy Line Break Location
- N-SYS-NNN (-N) Break Number
- TE Terminal End (Break)
- RB Running Break
- CR Critical Crack
- IB Intermediate Break
- ↑ Running Break Boundary

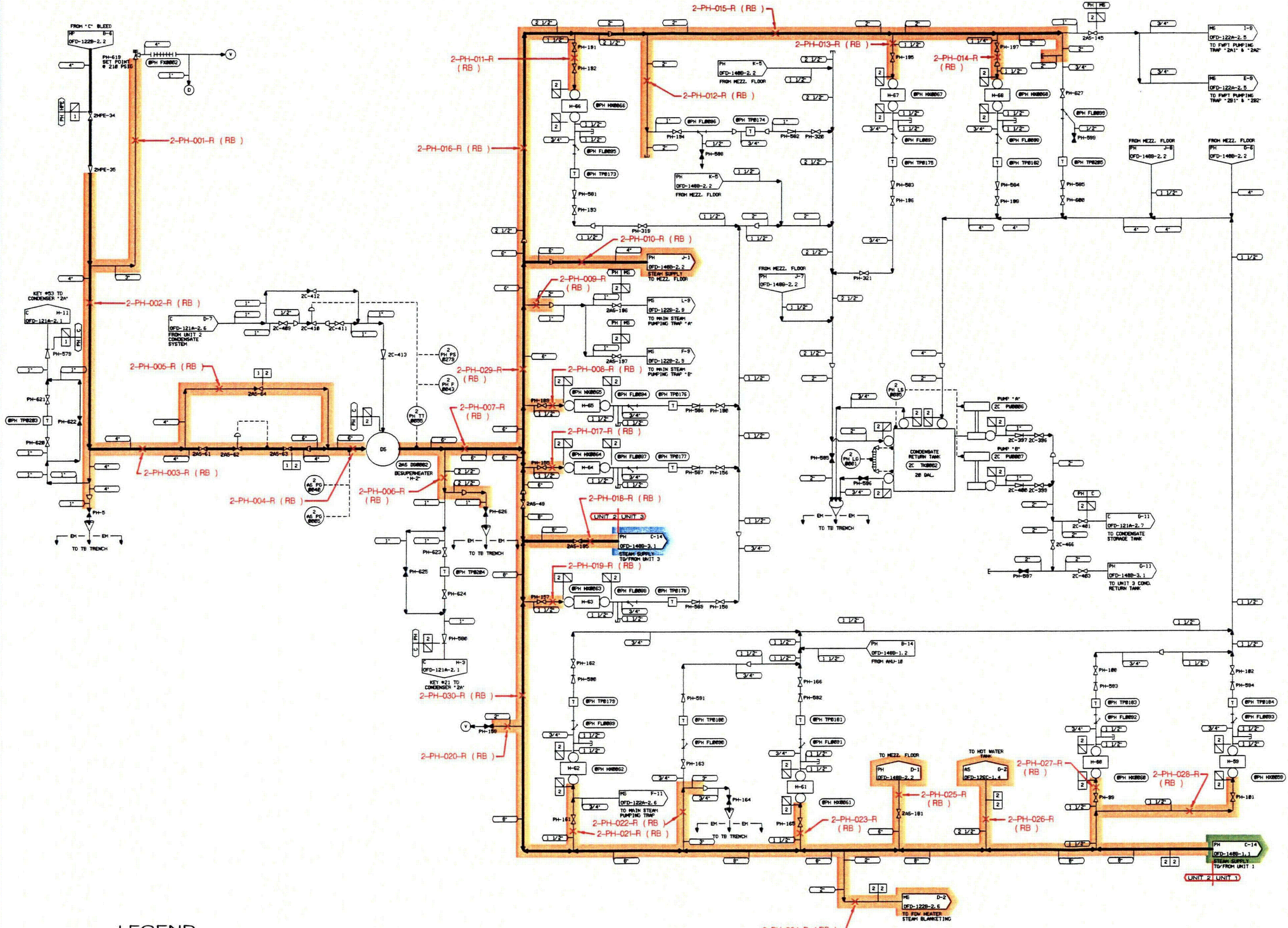
FIGURE 5.1-9
MOISTURE SEPARATOR REHEATER DRAIN SYSTEM

High Energy Lines, Piping Configurations,
 Boundaries, Break Locations and Numbers
 (Sheet 6 of 6)

UNIT 2

THIS DIAGRAM IS FOR HIGH ENERGY LINE
 BREAK PURPOSES ONLY.
 REFERENCE FLOW DIAGRAM OFD-123A-2.2 FOR
 COMPLETE SYSTEM DESIGN INFORMATION.

HELB-123A-02-02



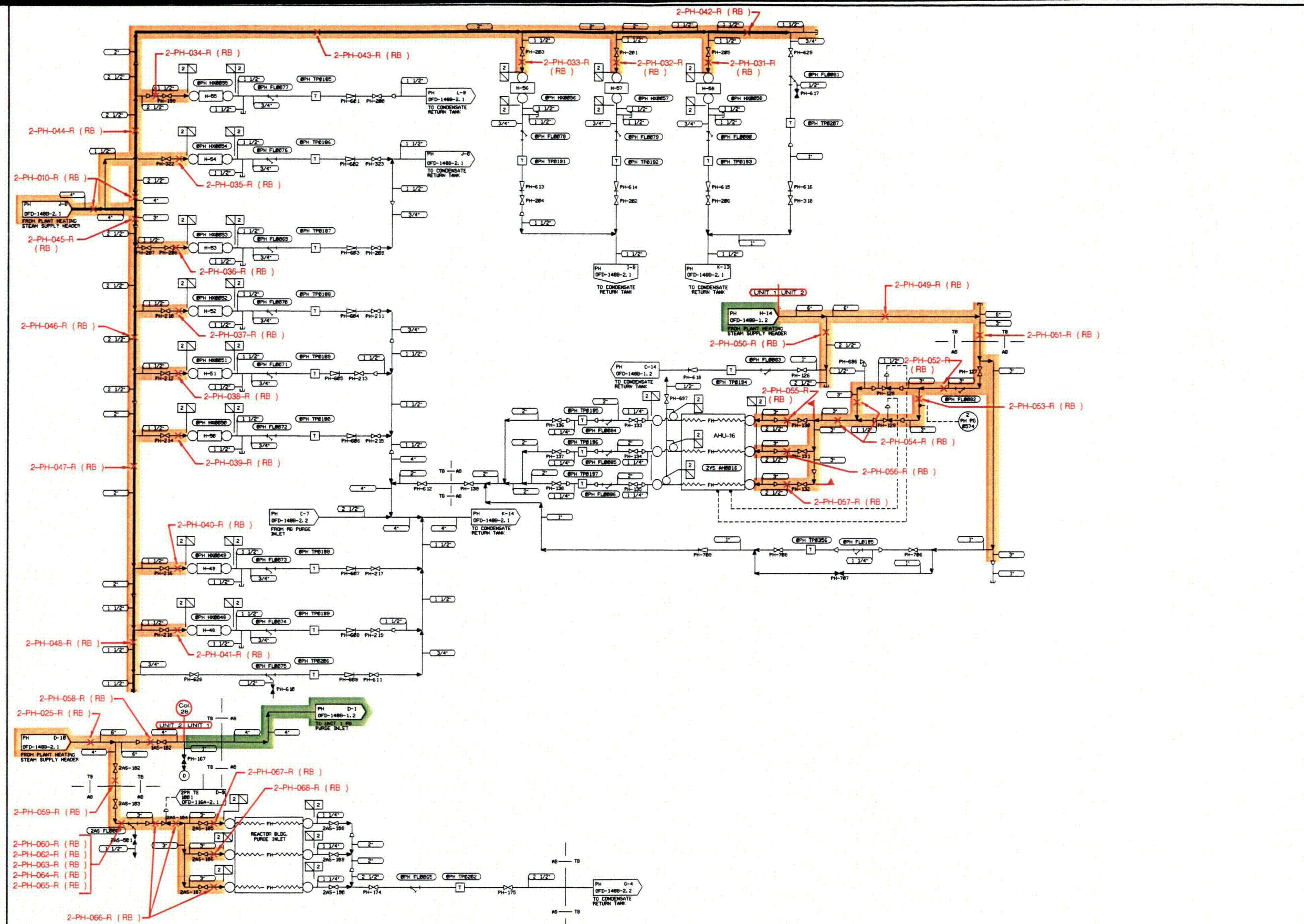
- LEGEND**
- - High Energy Piping (Unit 1)
 - - High Energy Piping (Unit 2)
 - - High Energy Piping (Unit 3)
 - X - High Energy Line Break Location
 - N-SYS-NNN (-N) - Break Number
 - TE - Terminal End (Break)
 - RB - Running Break
 - CR - Critical Crack
 - IB - Intermediate Break
 - ↑ - Running Break Boundary

FIGURE 5.1-10
PLANT HEATING SYSTEM
 High Energy Lines, Piping Configurations,
 Boundaries, Break Locations and Numbers
 (Sheet 1 of 4)

UNIT 2

THIS DIAGRAM IS FOR HIGH ENERGY LINE
 BREAK PURPOSES ONLY.
 REFERENCE FLOW DIAGRAM OFD-148B-2.1 FOR
 COMPLETE SYSTEM DESIGN INFORMATION.

HELB-148B-02-01



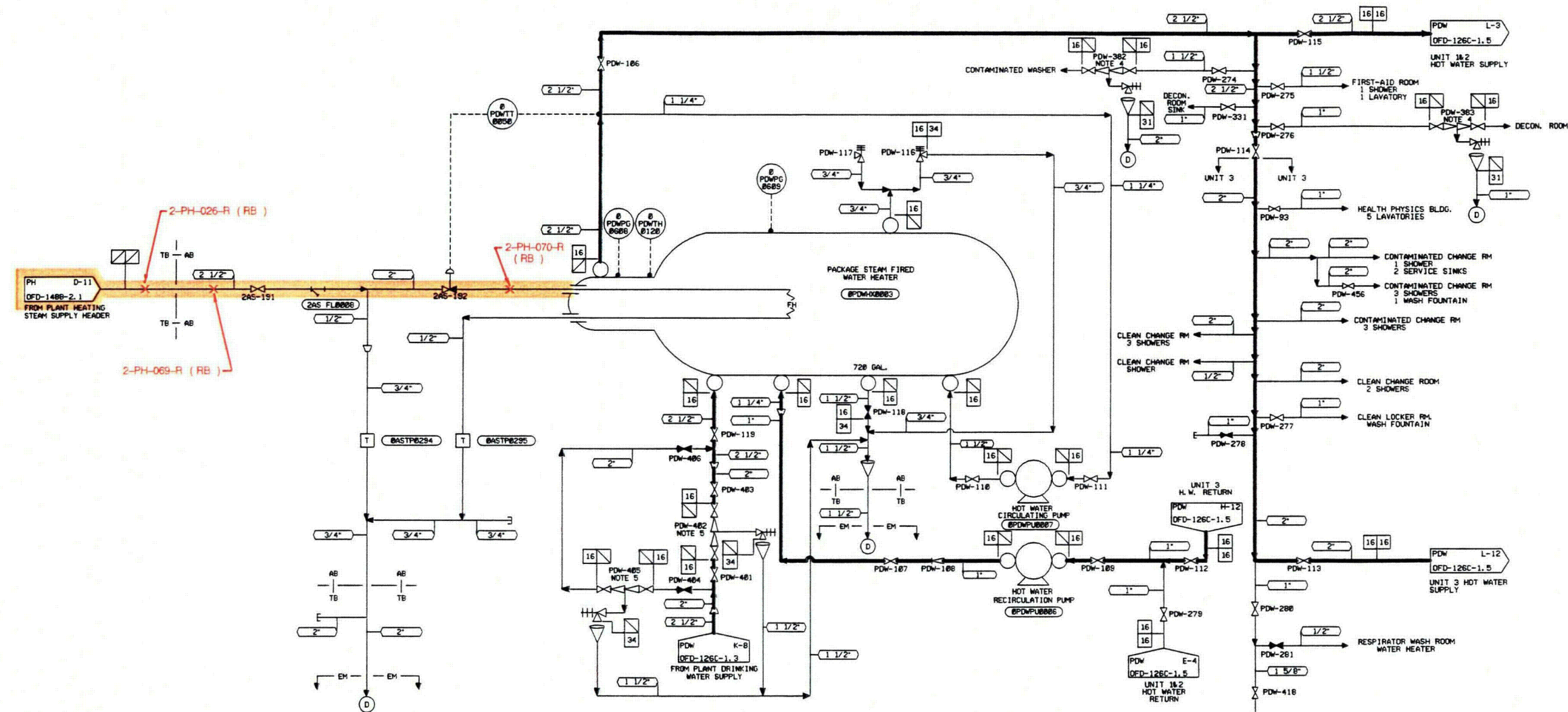
- LEGEND**
- High Energy Piping (Unit 1)
 - High Energy Piping (Unit 2)
 - High Energy Piping (Unit 3)
 - X High Energy Line Break Location
 - N-SYS-NNN (-N) Break Number
 - TE Terminal End (Break)
 - RB Running Break
 - CR Critical Crack
 - IB Intermediate Break
 - ↑ Running Break Boundary

FIGURE 5.1-10
PLANT HEATING SYSTEM
 High Energy Lines, Piping Configurations,
 Boundaries, Break Locations and Numbers
 (Sheet 2 of 4)

UNIT 2

THIS DIAGRAM IS FOR HIGH ENERGY LINE
 BREAK PURPOSES ONLY.
 REFERENCE FLOW DIAGRAM OFD-148B-2.2 FOR
 COMPLETE SYSTEM DESIGN INFORMATION.

HELB-148B-02-02



LEGEND

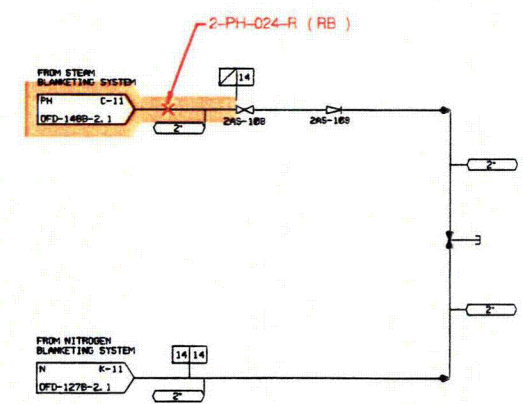
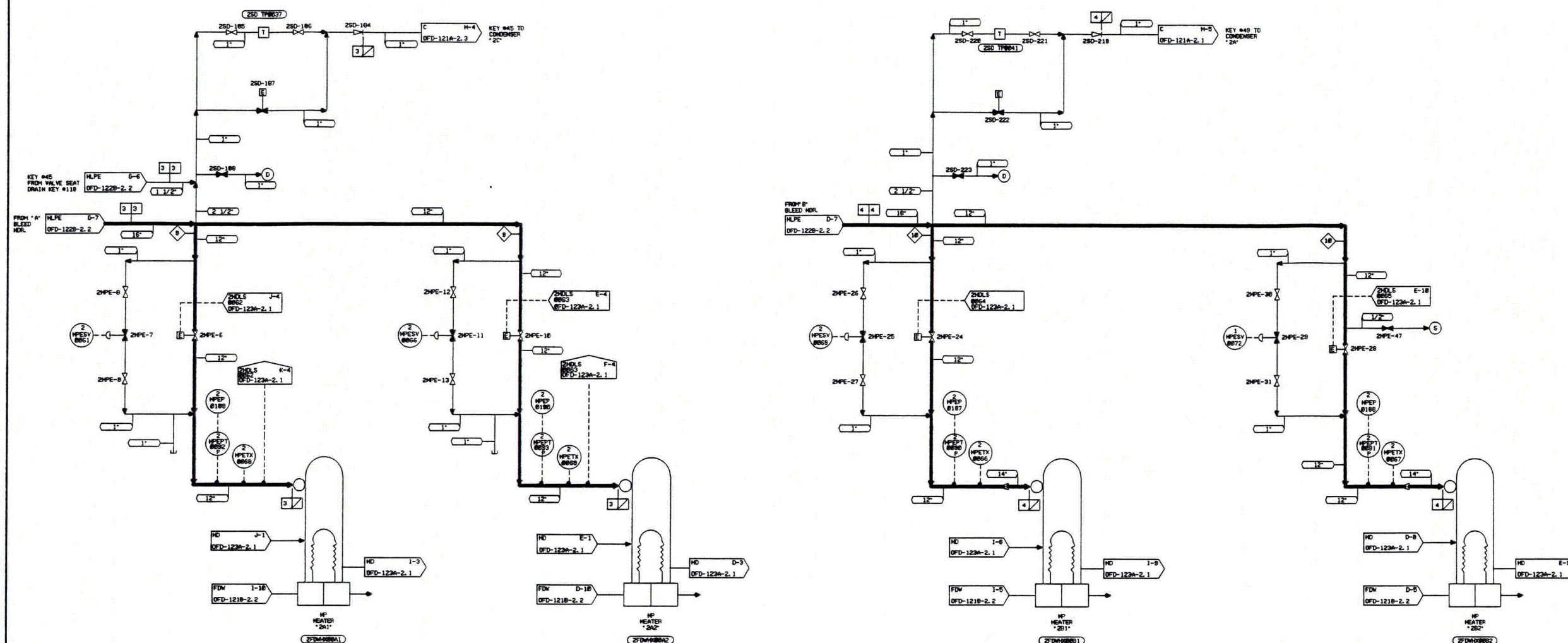
- - High Energy Piping (Unit 1)
- - High Energy Piping (Unit 2)
- - High Energy Piping (Unit 3)
- X - High Energy Line Break Location
- N-SYS-NNN (-N) - Break Number
- TE - Terminal End (Break)
- RB - Running Break
- CR - Critical Crack
- IB - Intermediate Break
- ↑ - Running Break Boundary

FIGURE 5.1-10
PLANT HEATING SYSTEM
 High Energy Lines, Piping Configurations,
 Boundaries, Break Locations and Numbers
 (Sheet 3 of 4)

UNIT 2

THIS DIAGRAM IS FOR HIGH ENERGY LINE
 BREAK PURPOSES ONLY.
 REFERENCE FLOW DIAGRAM OFD-126C-1.4 FOR
 COMPLETE SYSTEM DESIGN INFORMATION.

HELB-126C-01-04



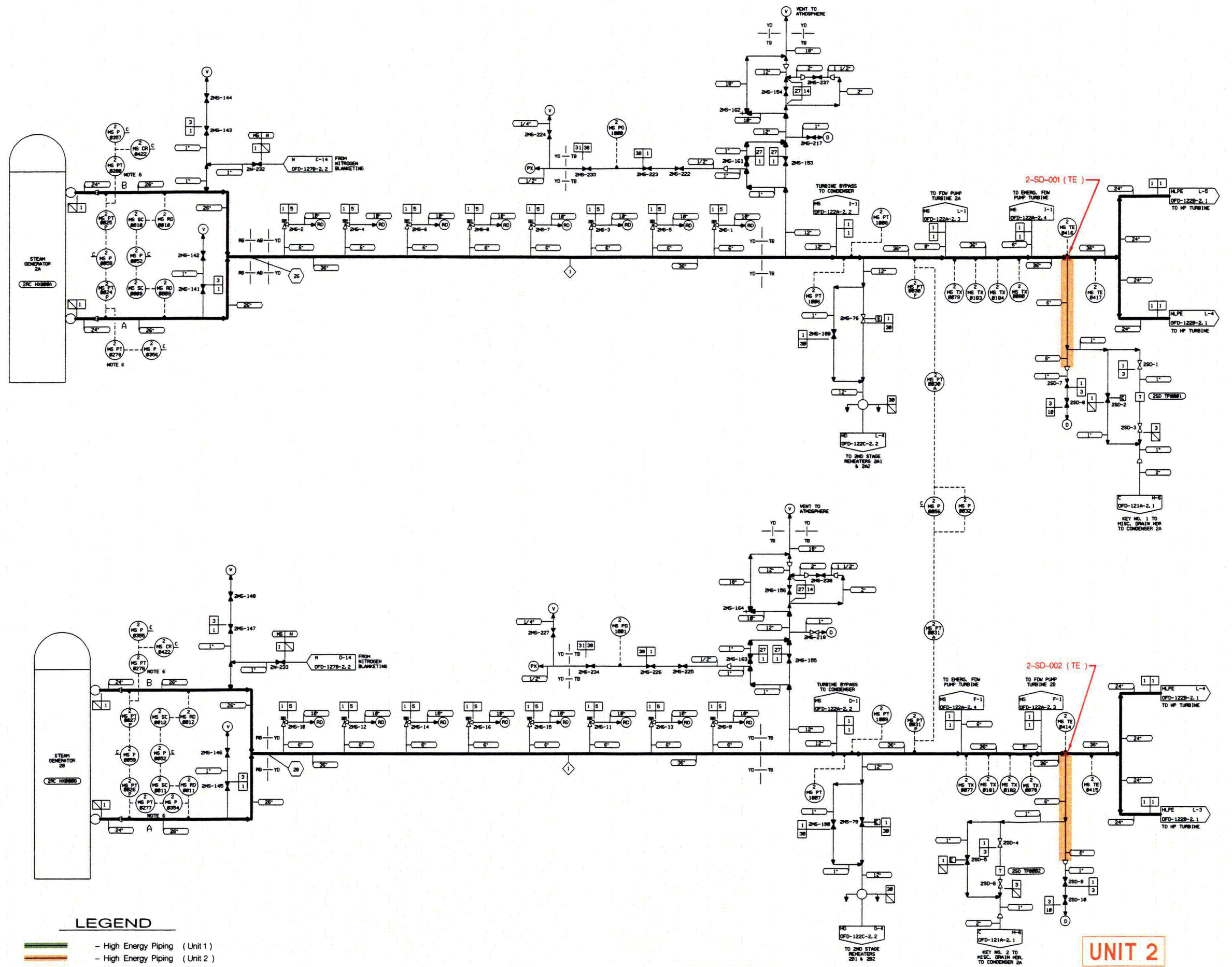
- LEGEND**
- - High Energy Piping (Unit 1)
 - - High Energy Piping (Unit 2)
 - - High Energy Piping (Unit 3)
 - X - High Energy Line Break Location
 - N-SYS-NNN (-N) - Break Number
 - TE - Terminal End (Break)
 - RB - Running Break
 - CR - Critical Crack
 - IB - Intermediate Break
 - ↑ - Running Break Boundary

FIGURE 5.1-10
PLANT HEATING SYSTEM
 High Energy Lines, Piping Configurations,
 Boundaries, Break Locations and Numbers
 (Sheet 4 of 4)

UNIT 2

THIS DIAGRAM IS FOR HIGH ENERGY LINE
 BREAK PURPOSES ONLY.
 REFERENCE FLOW DIAGRAM OFD-122B-2.6 FOR
 COMPLETE SYSTEM DESIGN INFORMATION.

HELB-122B-02-06



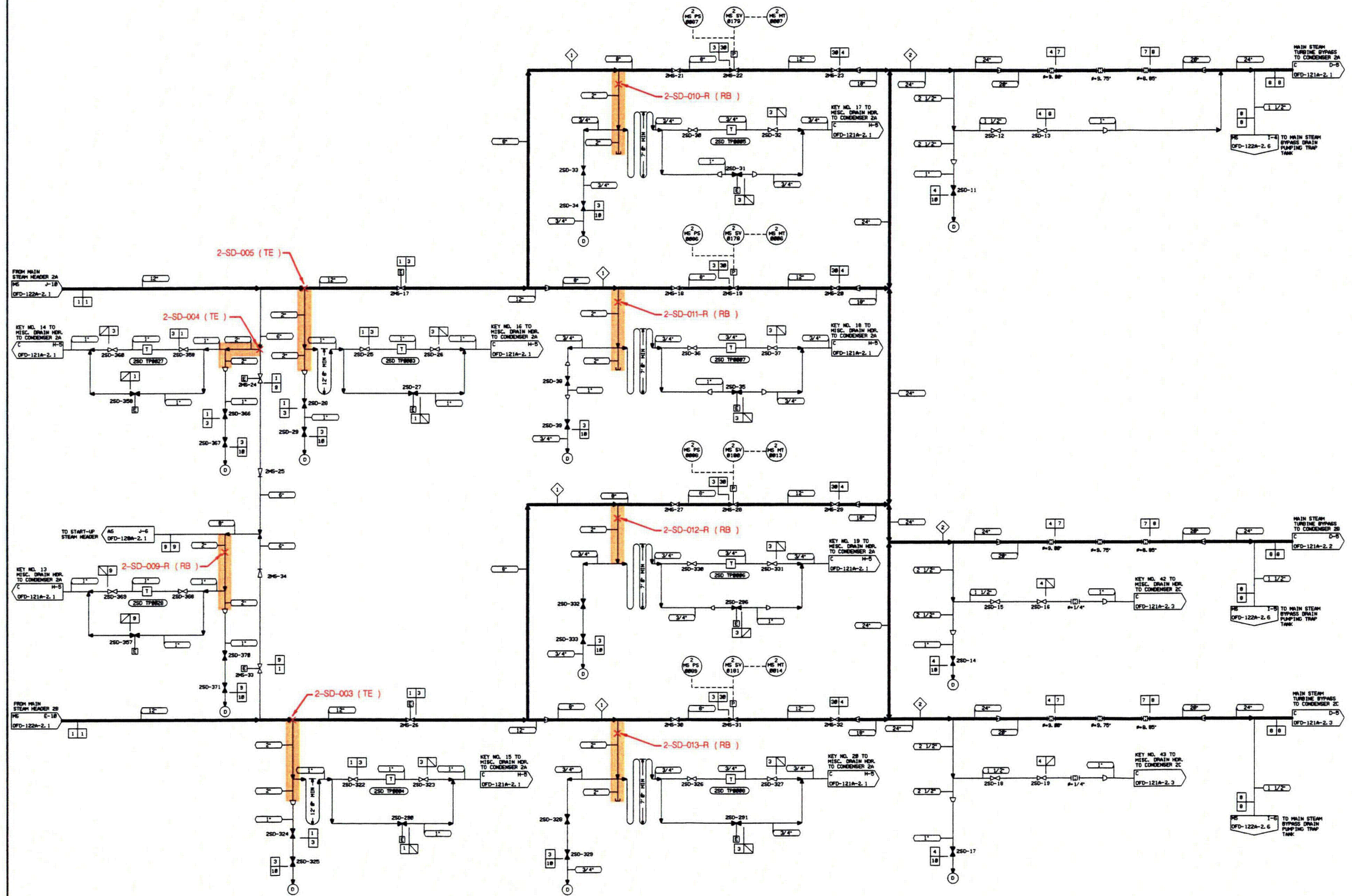
- LEGEND**
- - High Energy Piping (Unit 1)
 - - High Energy Piping (Unit 2)
 - - High Energy Piping (Unit 3)
 - X - High Energy Line Break Location
 - N-SYS-NNN (-N) - Break Number
 - TE - Terminal End (Break)
 - RB - Running Break
 - CR - Critical Crack
 - IB - Intermediate Break
 - ▶ - Running Break Boundary

FIGURE 5.1-11
STEAM DRAIN SYSTEM
 High Energy Lines, Piping Configurations,
 Boundaries, Break Locations and Numbers
 (Sheet 1 of 12)

THIS DIAGRAM IS FOR HIGH ENERGY LINE
 BREAK PURPOSES ONLY.
 REFERENCE FLOW DIAGRAM OFD-122A-2.1 FOR
 COMPLETE SYSTEM DESIGN INFORMATION.

UNIT 2

HELB-122A-02-01



- LEGEND**
- - High Energy Piping (Unit 1)
 - - High Energy Piping (Unit 2)
 - - High Energy Piping (Unit 3)
 - X - High Energy Line Break Location
 - N-SYS-NNN (-N) - Break Number
 - TE - Terminal End (Break)
 - RB - Running Break
 - CR - Critical Crack
 - IB - Intermediate Break
 - ↑ - Running Break Boundary

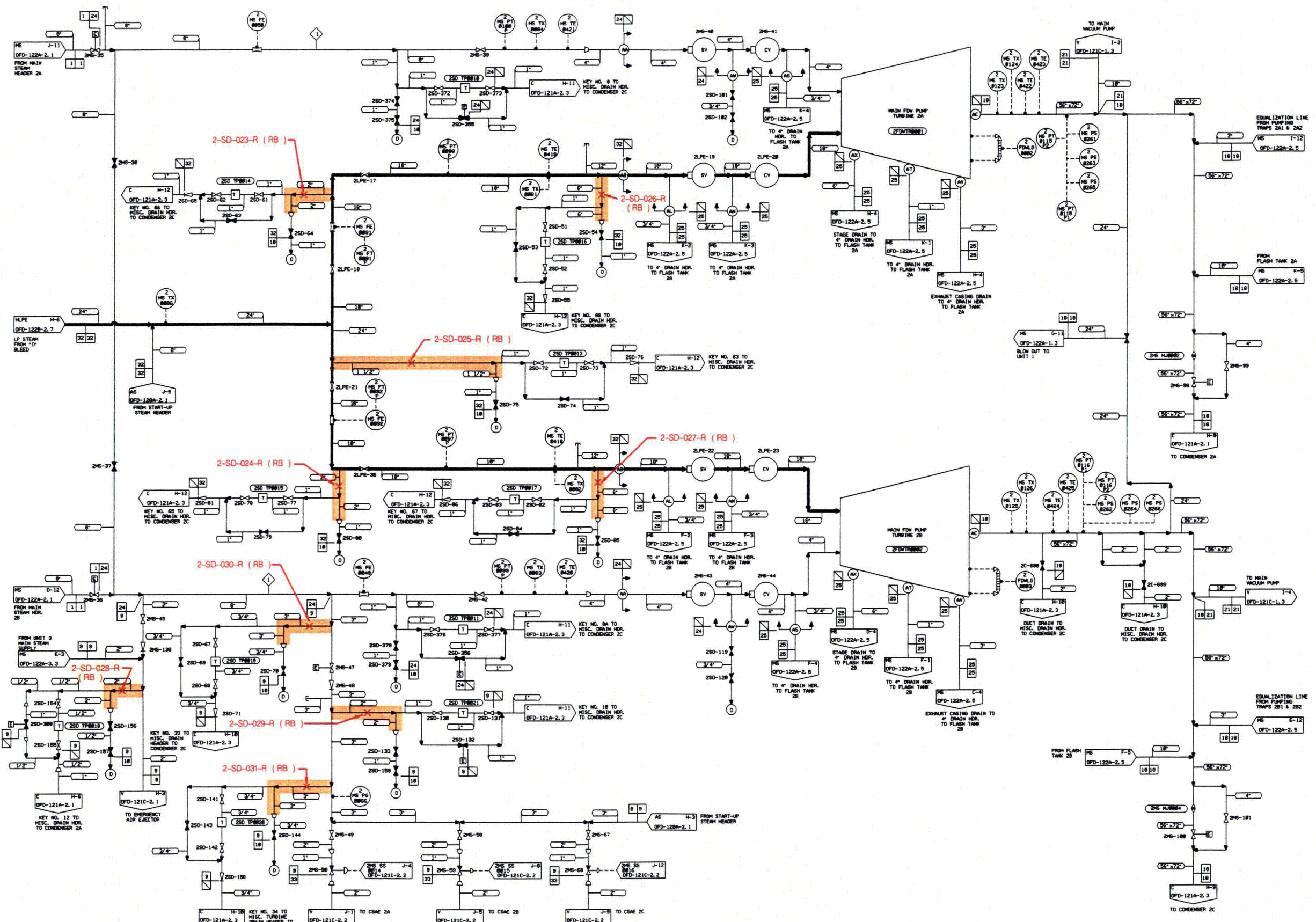
FIGURE 5.1-11
STEAM DRAIN SYSTEM

High Energy Lines, Piping Configurations,
Boundaries, Break Locations and Numbers
(Sheet 2 of 12)

UNIT 2

THIS DIAGRAM IS FOR HIGH ENERGY LINE
BREAK PURPOSES ONLY.
REFERENCE FLOW DIAGRAM OFD-122A-2.2 FOR
COMPLETE SYSTEM DESIGN INFORMATION.

HELB-122A-02-02

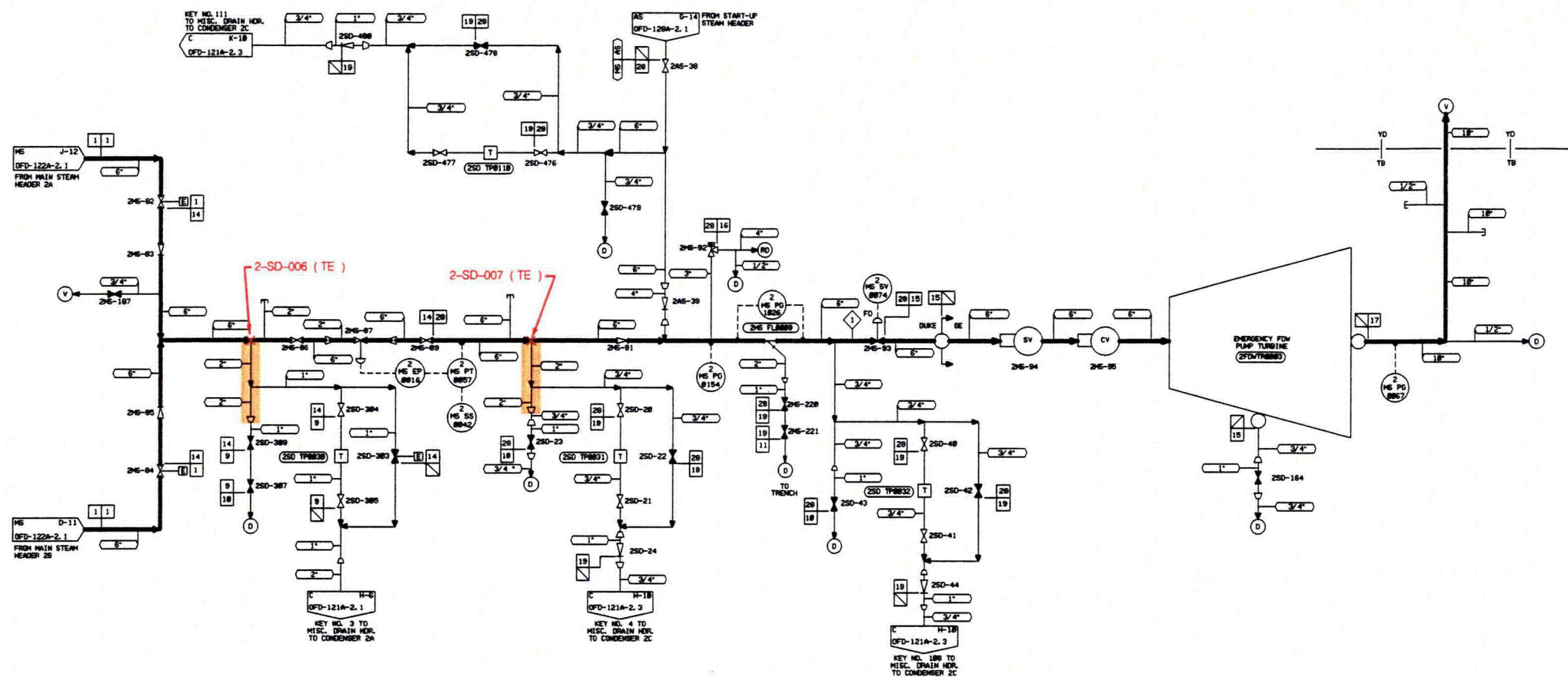


- LEGEND**
- - High Energy Piping (Unit 1)
 - - High Energy Piping (Unit 2)
 - - High Energy Piping (Unit 3)
 - X - High Energy Line Break Location
 - N-SYS-NNN (-N) - Break Number
 - TE - Terminal End (Break)
 - RB - Running Break
 - CR - Critical Crack
 - IB - Intermediate Break
 - ↑ - Running Break Boundary

FIGURE 5.1-11
STEAM DRAIN SYSTEM
 High Energy Lines, Piping Configurations,
 Boundaries, Break Locations and Numbers
 (Sheet 3 of 12)

UNIT 2

THIS DIAGRAM IS FOR HIGH ENERGY LINE
 BREAK PURPOSES ONLY.
 REFERENCE FLOW DIAGRAM OFD-122A-2.3 FOR
 COMPLETE SYSTEM DESIGN INFORMATION.



LEGEND

- - High Energy Piping (Unit 1)
- - High Energy Piping (Unit 2)
- - High Energy Piping (Unit 3)
- X - High Energy Line Break Location
- N-SYS-NNN (-N) - Break Number
- TE - Terminal End (Break)
- RB - Running Break
- CR - Critical Crack
- IB - Intermediate Break
- ↑ - Running Break Boundary

FIGURE 5.1-11
STEAM DRAIN SYSTEM

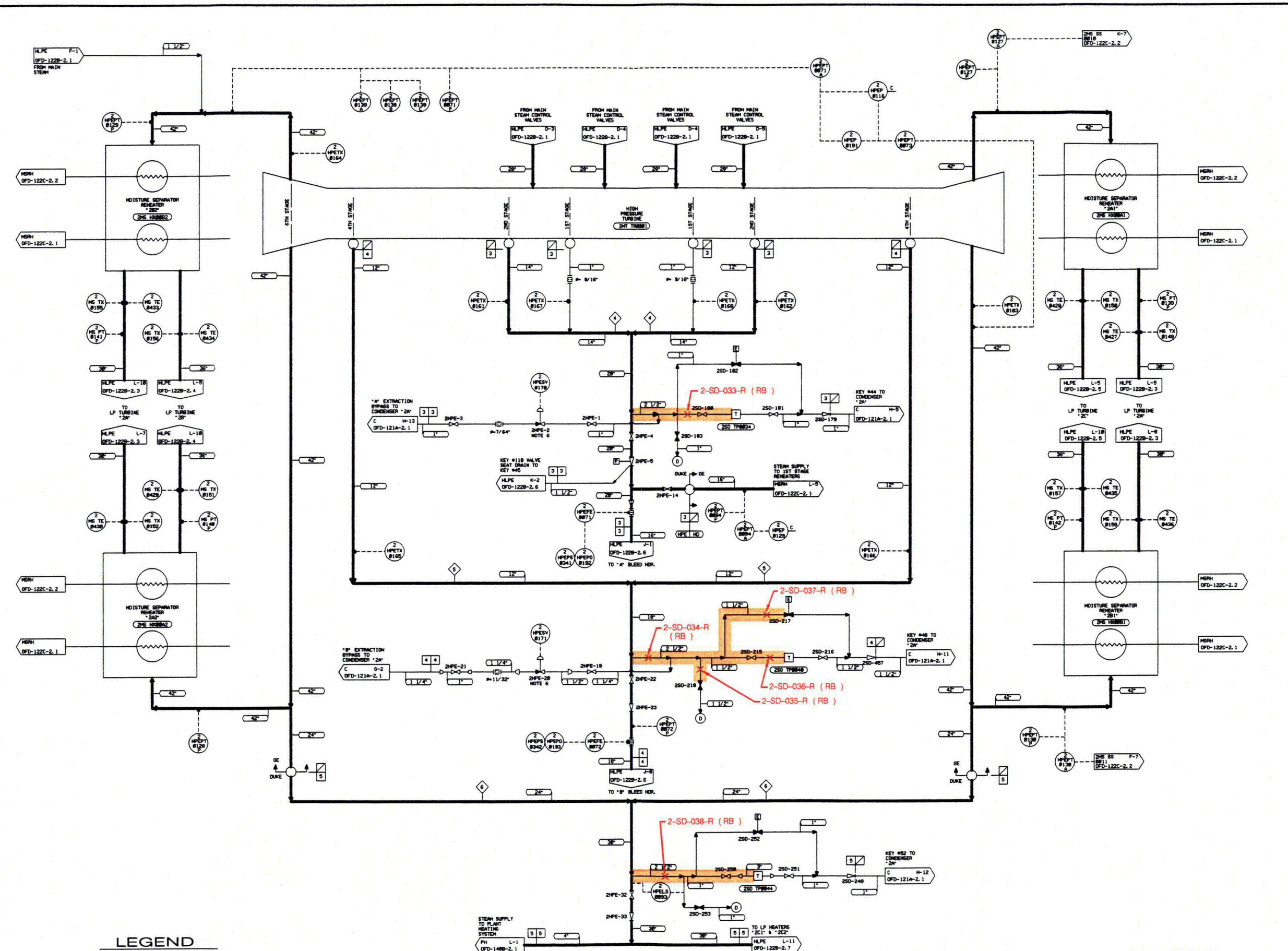
High Energy Lines, Piping Configurations,
 Boundaries, Break Locations and Numbers

(Sheet 4 of 12)

UNIT 2

THIS DIAGRAM IS FOR HIGH ENERGY LINE
 BREAK PURPOSES ONLY.
 REFERENCE FLOW DIAGRAM OFD-122A-2.4 FOR
 COMPLETE SYSTEM DESIGN INFORMATION.

HEI B-122A-02-04



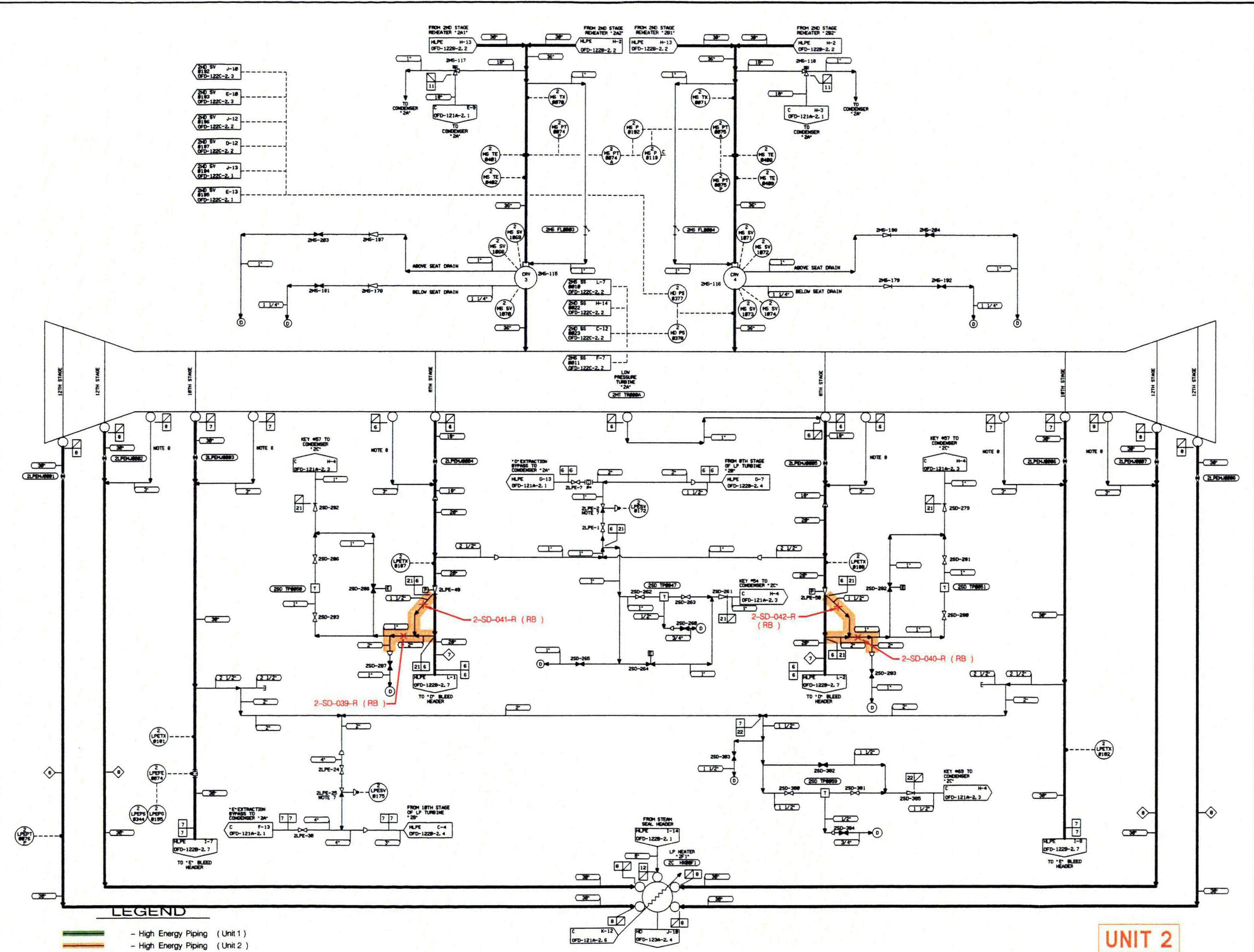
LEGEND

- - High Energy Piping (Unit 1)
- - High Energy Piping (Unit 2)
- - High Energy Piping (Unit 3)
- - High Energy Line Break Location
- X - Break Number
- TE - Terminal End (Break)
- RB - Running Break
- CR - Critical Crack
- IB - Intermediate Break
- ↑ - Running Break Boundary

FIGURE 5.1-11
STEAM DRAIN SYSTEM
 High Energy Lines, Piping Configurations,
 Boundaries, Break Locations and Numbers
 (Sheet 5 of 12)

UNIT 2

THIS DIAGRAM IS FOR HIGH ENERGY LINE
 BREAK PURPOSES ONLY.
 REFERENCE FLOW DIAGRAM OFD-122B-2.2 FOR
 COMPLETE SYSTEM DESIGN INFORMATION.



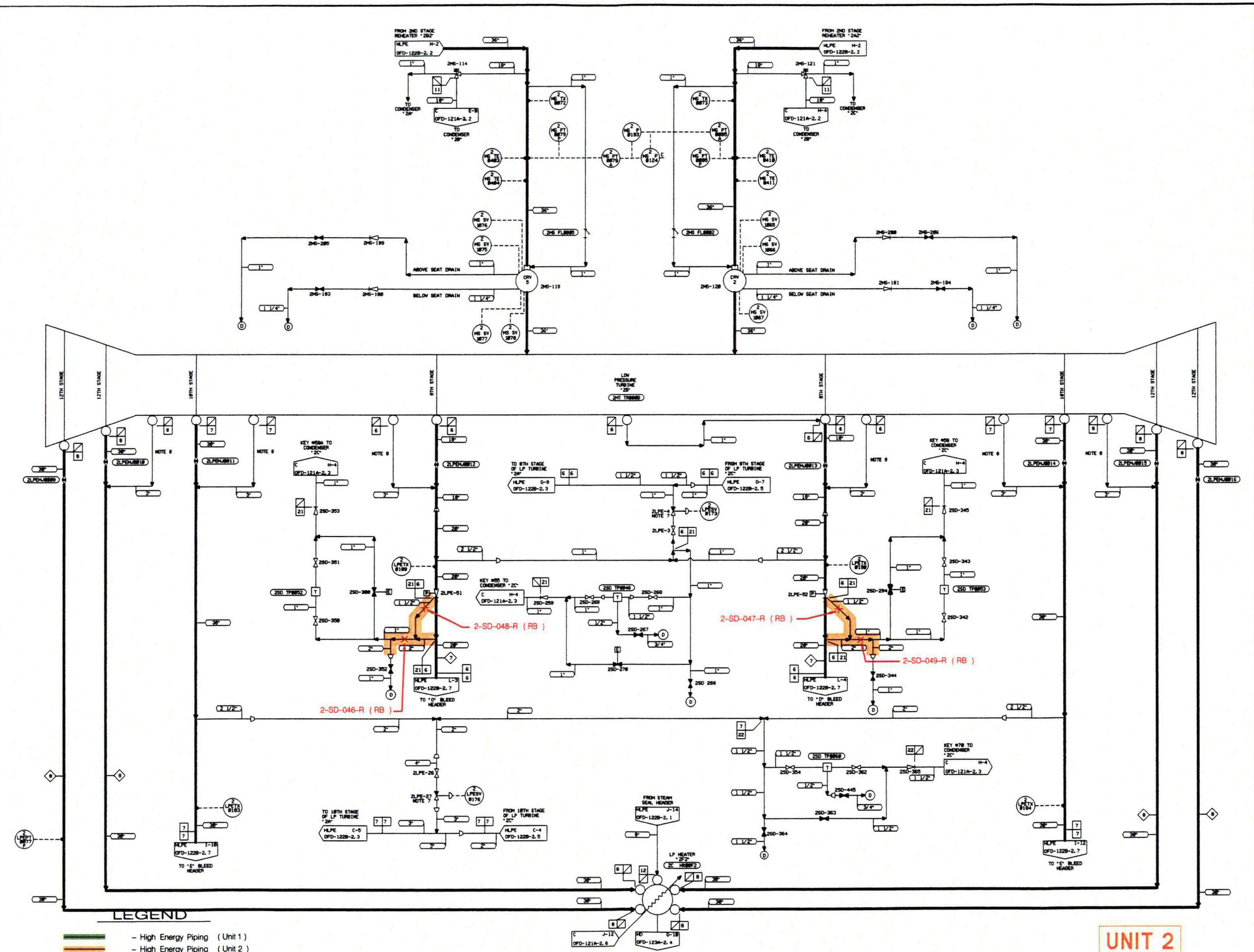
UNIT 2

FIGURE 5.1-11
STEAM DRAIN SYSTEM
 High Energy Lines, Piping Configurations,
 Boundaries, Break Locations and Numbers
 (Sheet 6 of 12)

- LEGEND**
- - High Energy Piping (Unit 1)
 - - High Energy Piping (Unit 2)
 - - High Energy Piping (Unit 3)
 - X - High Energy Line Break Location
 - N-SYS-NNN (-N) - Break Number
 - TE - Terminal End (Break)
 - RB - Running Break
 - CR - Critical Crack
 - IB - Intermediate Break
 - |— - Running Break Boundary

THIS DIAGRAM IS FOR HIGH ENERGY LINE
 BREAK PURPOSES ONLY.
 REFERENCE FLOW DIAGRAM OFD-122B-2.3 FOR
 COMPLETE SYSTEM DESIGN INFORMATION.

HELB-122B-02-03

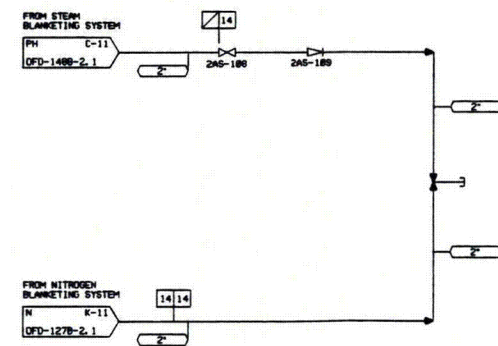
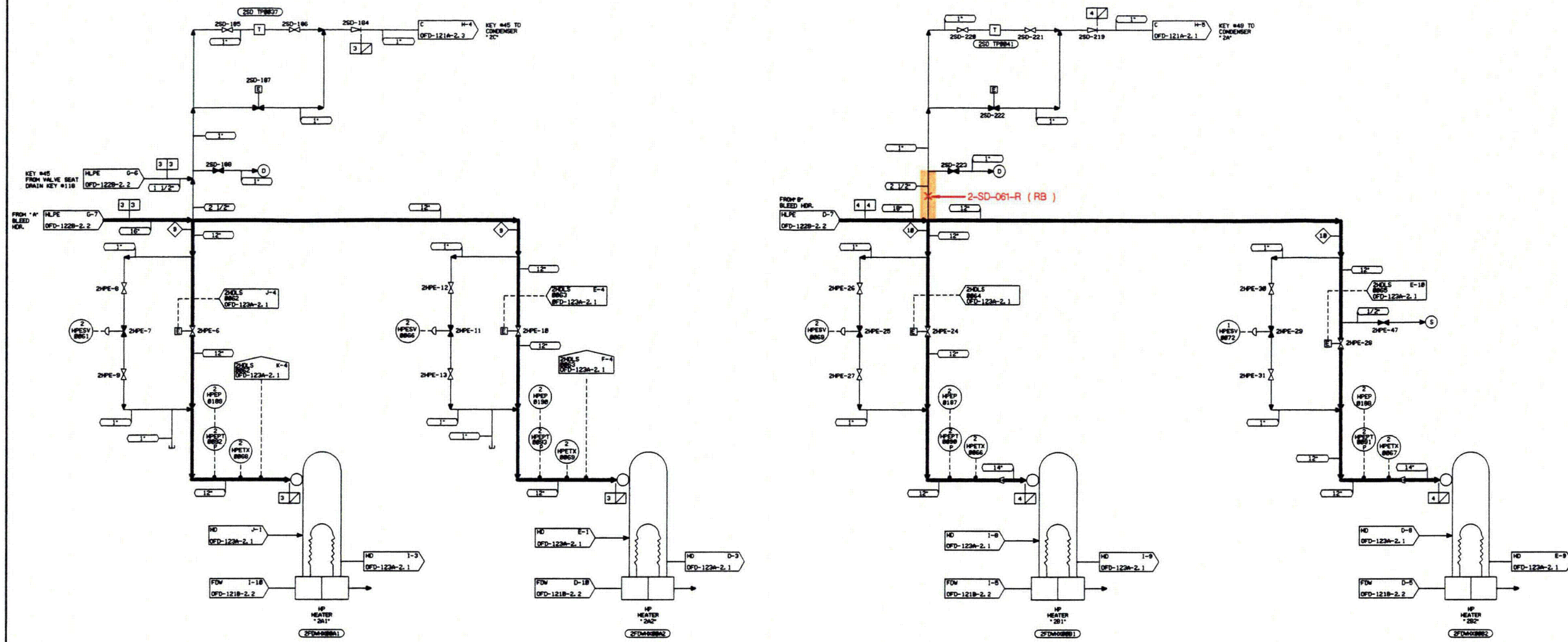


- LEGEND**
- - High Energy Piping (Unit 1)
 - - High Energy Piping (Unit 2)
 - - High Energy Piping (Unit 3)
 - X - High Energy Line Break Location
 - N-SYS-NNN (-N) - Break Number
 - TE - Terminal End (Break)
 - RB - Running Break
 - CR - Critical Crack
 - IB - Intermediate Break
 - |— - Running Break Boundary

FIGURE 5.1-11
STEAM DRAIN SYSTEM
 High Energy Lines, Piping Configurations,
 Boundaries, Break Locations and Numbers
 (Sheet 7 of 12)

UNIT 2

THIS DIAGRAM IS FOR HIGH ENERGY LINE
 BREAK PURPOSES ONLY.
 REFERENCE FLOW DIAGRAM OFD-122B-2.4 FOR
 COMPLETE SYSTEM DESIGN INFORMATION.



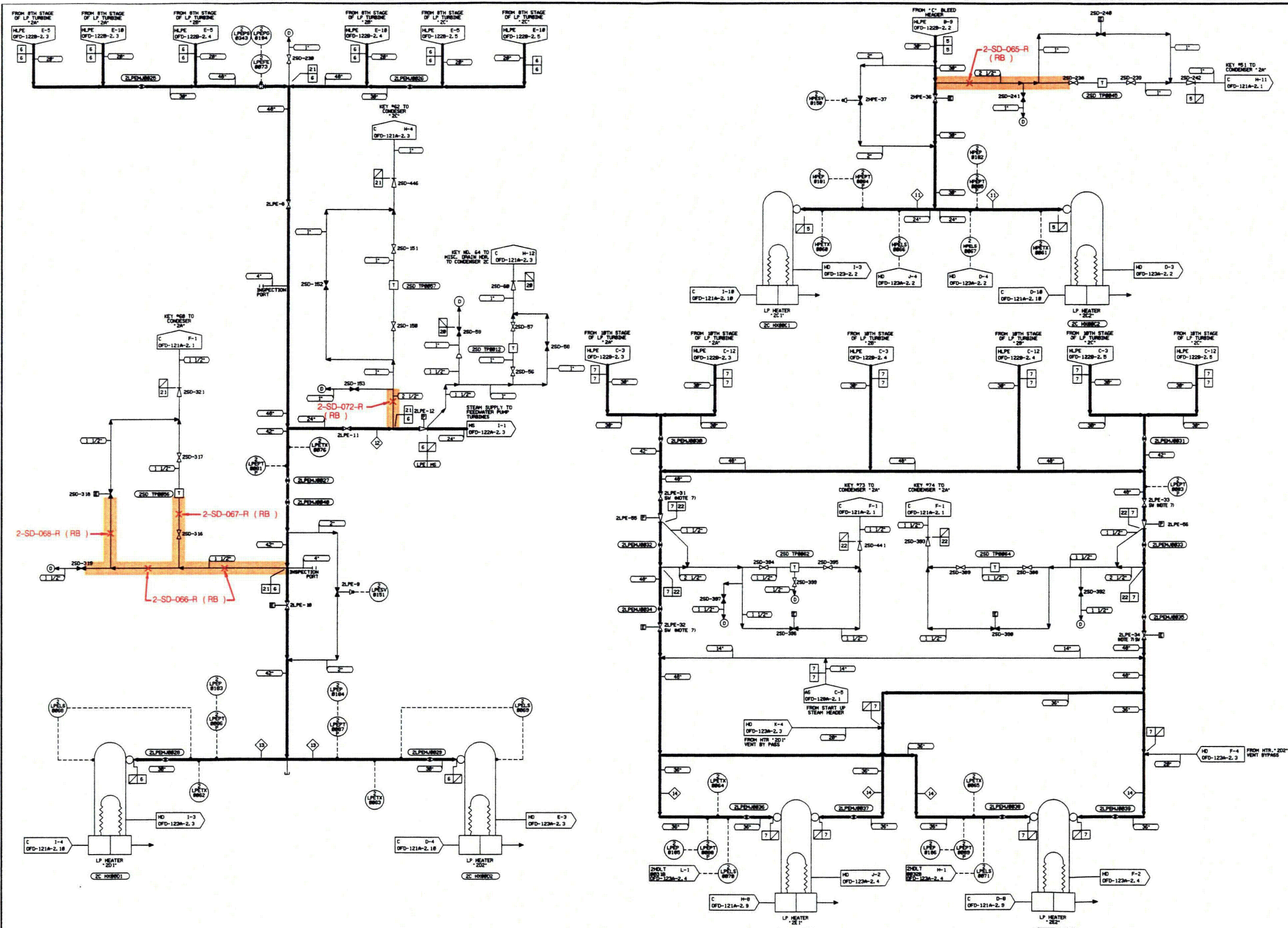
LEGEND

- - High Energy Piping (Unit 1)
- - High Energy Piping (Unit 2)
- - High Energy Piping (Unit 3)
- X - High Energy Line Break Location
- N-SYS-NNIN (-N) - Break Number
- TE - Terminal End (Break)
- RB - Running Break
- CR - Critical Crack
- IB - Intermediate Break
- ↑ - Running Break Boundary

FIGURE 5.1-11
STEAM DRAIN SYSTEM
 High Energy Lines, Piping Configurations,
 Boundaries, Break Locations and Numbers
 (Sheet 9 of 12)

UNIT 2

THIS DIAGRAM IS FOR HIGH ENERGY LINE
 BREAK PURPOSES ONLY.
 REFERENCE FLOW DIAGRAM OFD-122B-2.6 FOR
 COMPLETE SYSTEM DESIGN INFORMATION.

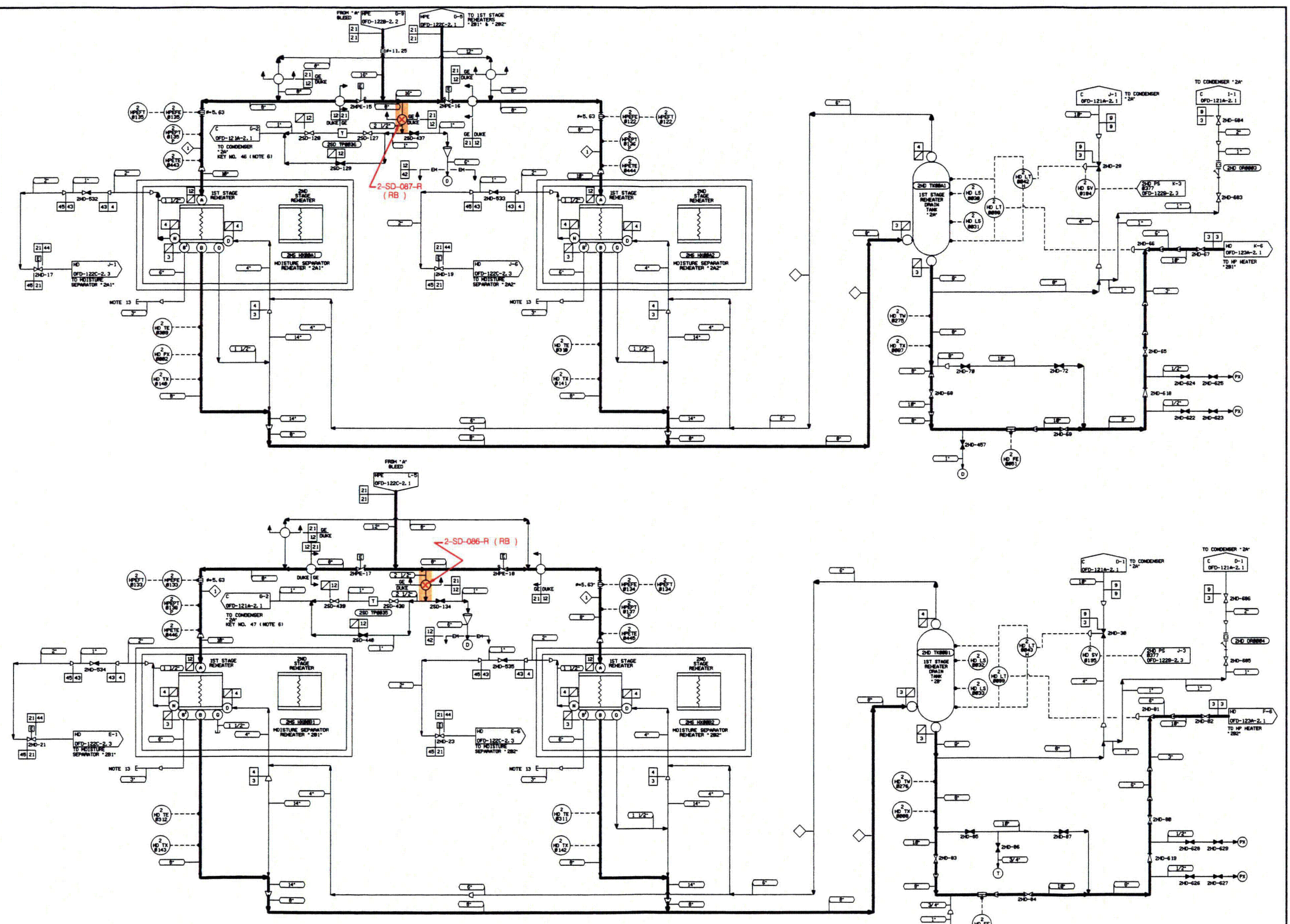


- LEGEND**
- - High Energy Piping (Unit 1)
 - - High Energy Piping (Unit 2)
 - - High Energy Piping (Unit 3)
 - X - High Energy Line Break Location
 - N-SYS-NNN (-N) - Break Number
 - TE - Terminal End (Break)
 - RB - Running Break
 - CR - Critical Crack
 - IB - Intermediate Break
 - ▶ - Running Break Boundary

UNIT 2

FIGURE 5.1-11
STEAM DRAIN SYSTEM
 High Energy Lines, Piping Configurations,
 Boundaries, Break Locations and Numbers
 (Sheet 10 of 12)

THIS DIAGRAM IS FOR HIGH ENERGY LINE
 BREAK PURPOSES ONLY.
 REFERENCE FLOW DIAGRAM OFD-122B-2.7 FOR
 COMPLETE SYSTEM DESIGN INFORMATION.

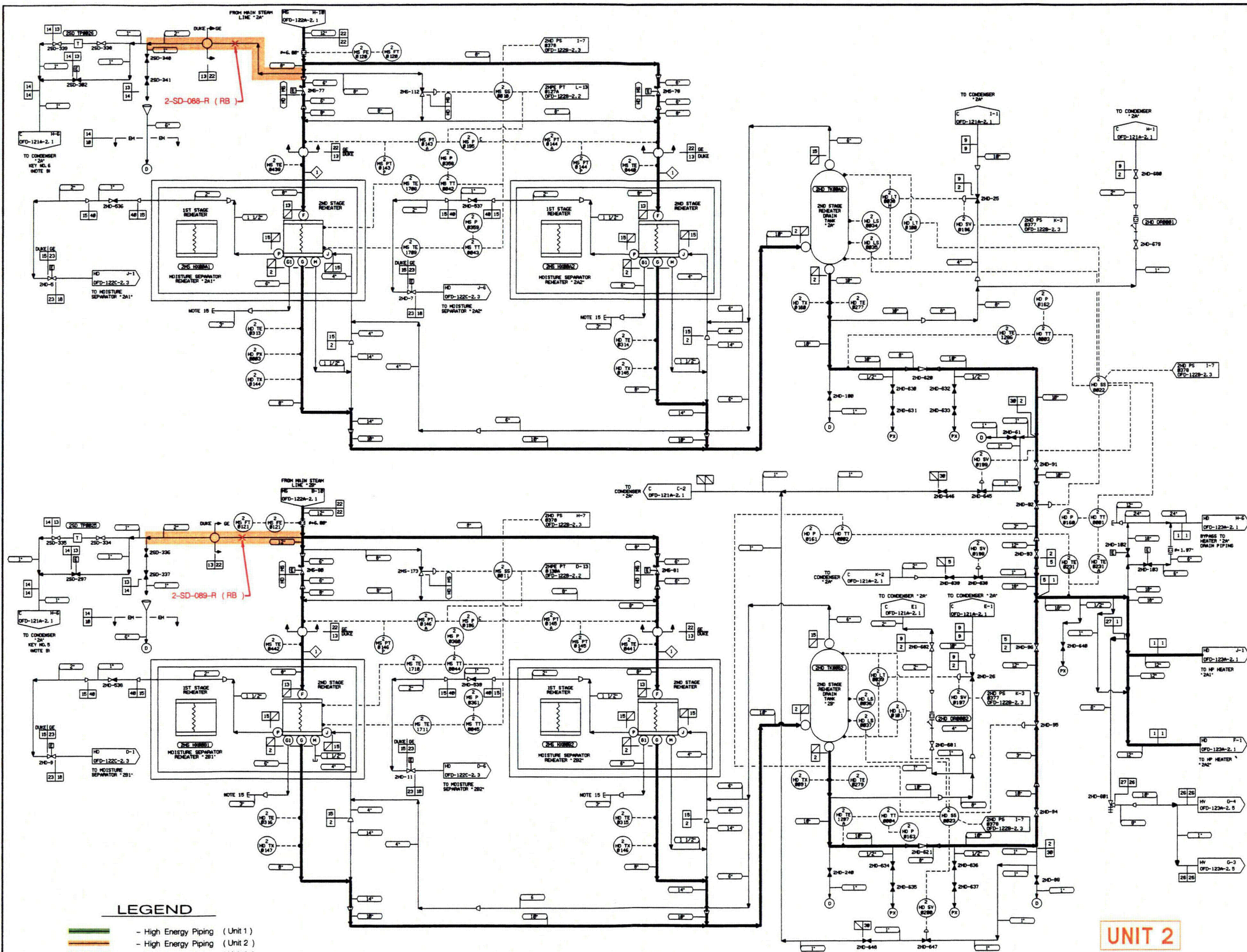


- LEGEND**
- - High Energy Piping (Unit 1)
 - - High Energy Piping (Unit 2)
 - - High Energy Piping (Unit 3)
 - X - High Energy Line Break Location
 - N-SYS-NNN (-N) - Break Number
 - TE - Terminal End (Break)
 - RB - Running Break
 - CR - Critical Crack
 - IB - Intermediate Break
 - ┆ - Running Break Boundary

FIGURE 5.1-11
STEAM DRAIN SYSTEM
 High Energy Lines, Piping Configurations,
 Boundaries, Break Locations and Numbers
 (Sheet 11 of 12)

UNIT 2

THIS DIAGRAM IS FOR HIGH ENERGY LINE
 BREAK PURPOSES ONLY.
 REFERENCE FLOW DIAGRAM OFD-122C-2.1 FOR
 COMPLETE SYSTEM DESIGN INFORMATION.



LEGEND

- - High Energy Piping (Unit 1)
- - High Energy Piping (Unit 2)
- - High Energy Piping (Unit 3)
- X - High Energy Line Break Location
- N-SYS-NNN (-N) - Break Number
- TE - Terminal End (Break)
- RB - Running Break
- CR - Critical Crack
- IB - Intermediate Break
- |— - Running Break Boundary

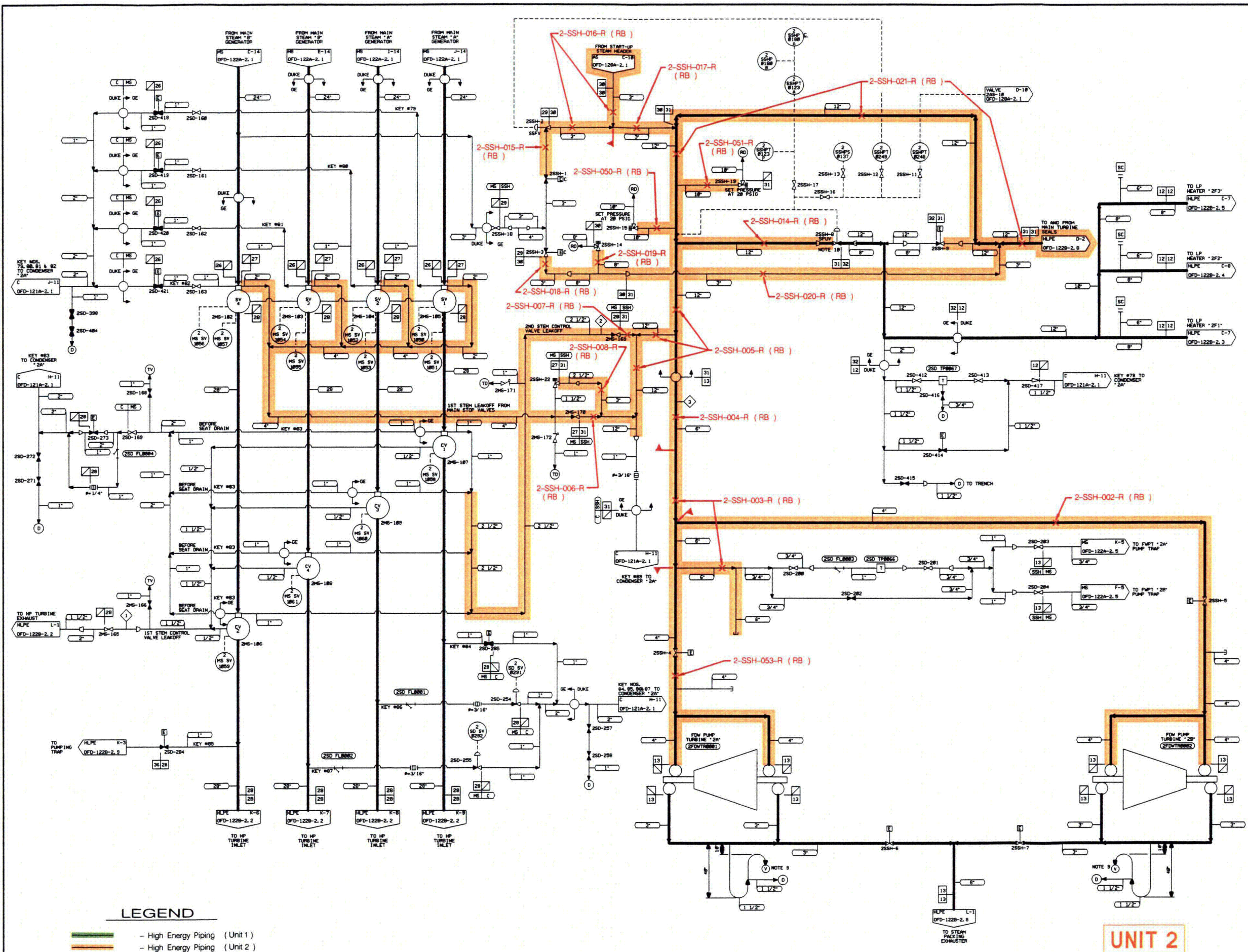
FIGURE 5.1-11
STEAM DRAIN SYSTEM

High Energy Lines, Piping Configurations,
Boundaries, Break Locations and Numbers
(Sheet 12 of 12)

UNIT 2

THIS DIAGRAM IS FOR HIGH ENERGY LINE
BREAK PURPOSES ONLY.
REFERENCE FLOW DIAGRAM OFD-122C-2.2 FOR
COMPLETE SYSTEM DESIGN INFORMATION.

HELB-122C-02-02

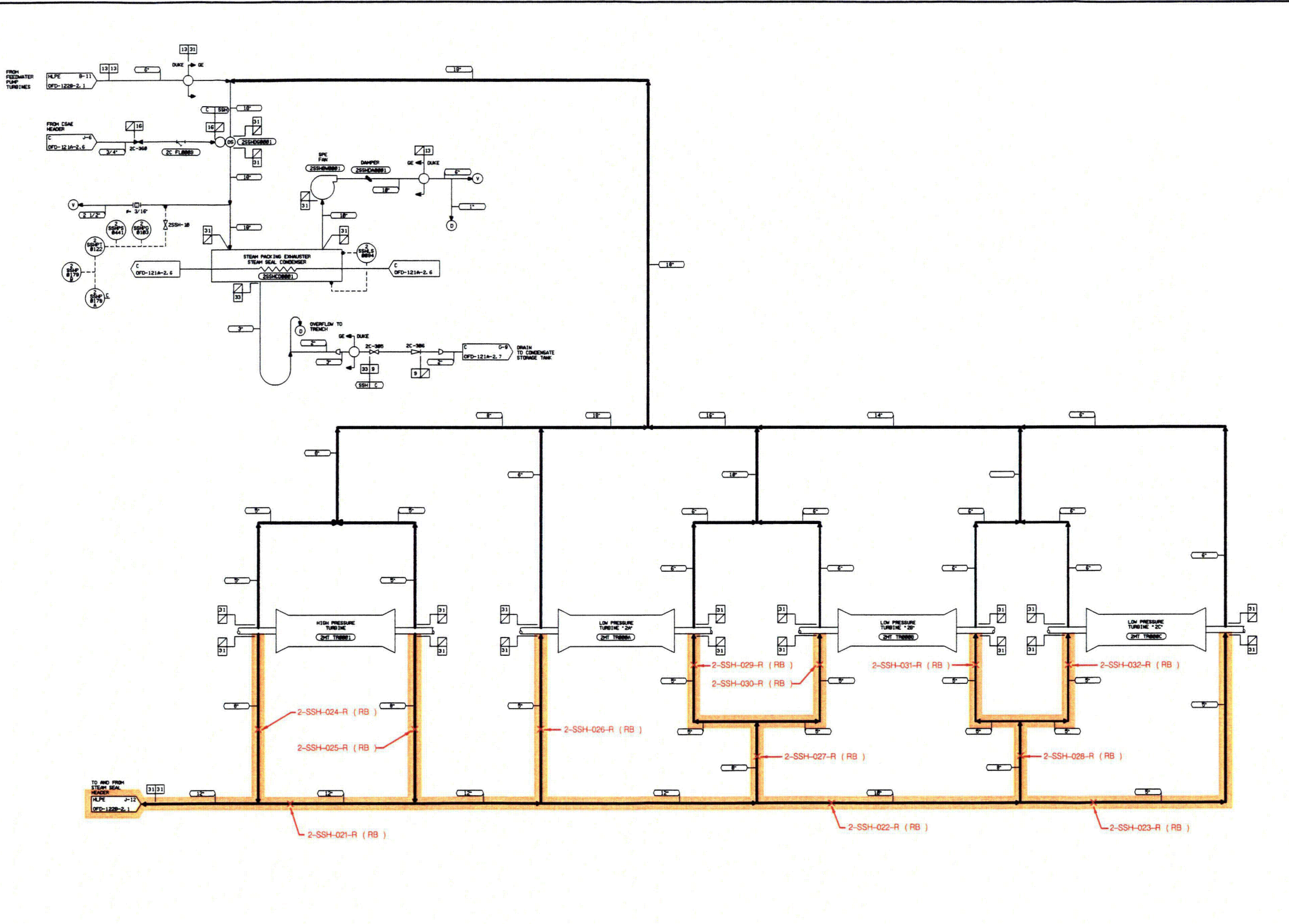


- LEGEND**
- High Energy Piping (Unit 1)
 - High Energy Piping (Unit 2)
 - High Energy Piping (Unit 3)
 - X High Energy Line Break Location
 - N-SYS-NNN (-N) Break Number
 - TE Terminal End (Break)
 - RB Running Break
 - CR Critical Crack
 - IB Intermediate Break
 - ↑ Running Break Boundary

FIGURE 5.1-12
STEAM SEAL HEADER SYSTEM
 High Energy Lines, Piping Configurations,
 Boundaries, Break Locations and Numbers
 (Sheet 1 of 3)

UNIT 2

THIS DIAGRAM IS FOR HIGH ENERGY LINE
 BREAK PURPOSES ONLY.
 REFERENCE FLOW DIAGRAM OFD-122B-2.1 FOR
 COMPLETE SYSTEM DESIGN INFORMATION.

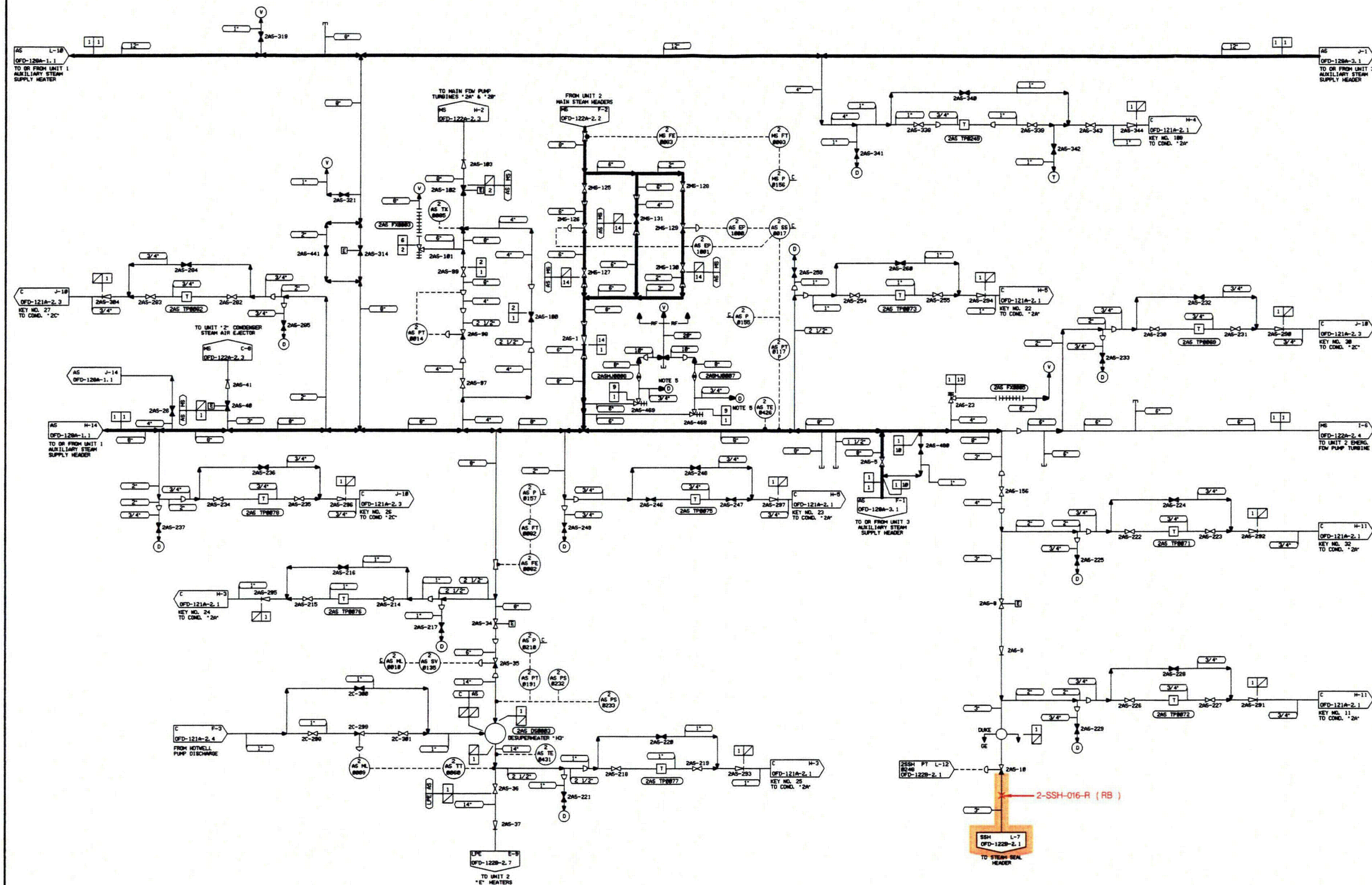


- LEGEND**
- - High Energy Piping (Unit 1)
 - - High Energy Piping (Unit 2)
 - - High Energy Piping (Unit 3)
 - X - High Energy Line Break Location
 - N-SYS-NNN (-N) - Break Number
 - TE - Terminal End (Break)
 - RB - Running Break
 - CR - Critical Crack
 - IB - Intermediate Break
 - ↑ - Running Break Boundary

FIGURE 5.1-12
STEAM SEAL HEADER SYSTEM
 High Energy Lines, Piping Configurations,
 Boundaries, Break Locations and Numbers
 (Sheet 2 of 3)

UNIT 2

THIS DIAGRAM IS FOR HIGH ENERGY LINE
 BREAK PURPOSES ONLY.
 REFERENCE FLOW DIAGRAM OFD-122B-2.8 FOR
 COMPLETE SYSTEM DESIGN INFORMATION.



LEGEND

- - High Energy Piping (Unit 1)
- - High Energy Piping (Unit 2)
- - High Energy Piping (Unit 3)
- X - High Energy Line Break Location
- N-SYS-NNN (-N) - Break Number
- TE - Terminal End (Break)
- RB - Running Break
- CR - Critical Crack
- IB - Intermediate Break
- |— - Running Break Boundary

FIGURE 5.1-12
STEAM SEAL HEADER SYSTEM
 High Energy Lines, Piping Configurations,
 Boundaries, Break Locations and Numbers
 (Sheet 3 of 3)

UNIT 2

THIS DIAGRAM IS FOR HIGH ENERGY LINE
 BREAK PURPOSES ONLY.
 REFERENCE FLOW DIAGRAM OFD-128A-2.1 FOR
 COMPLETE SYSTEM DESIGN INFORMATION.