

LEGEND

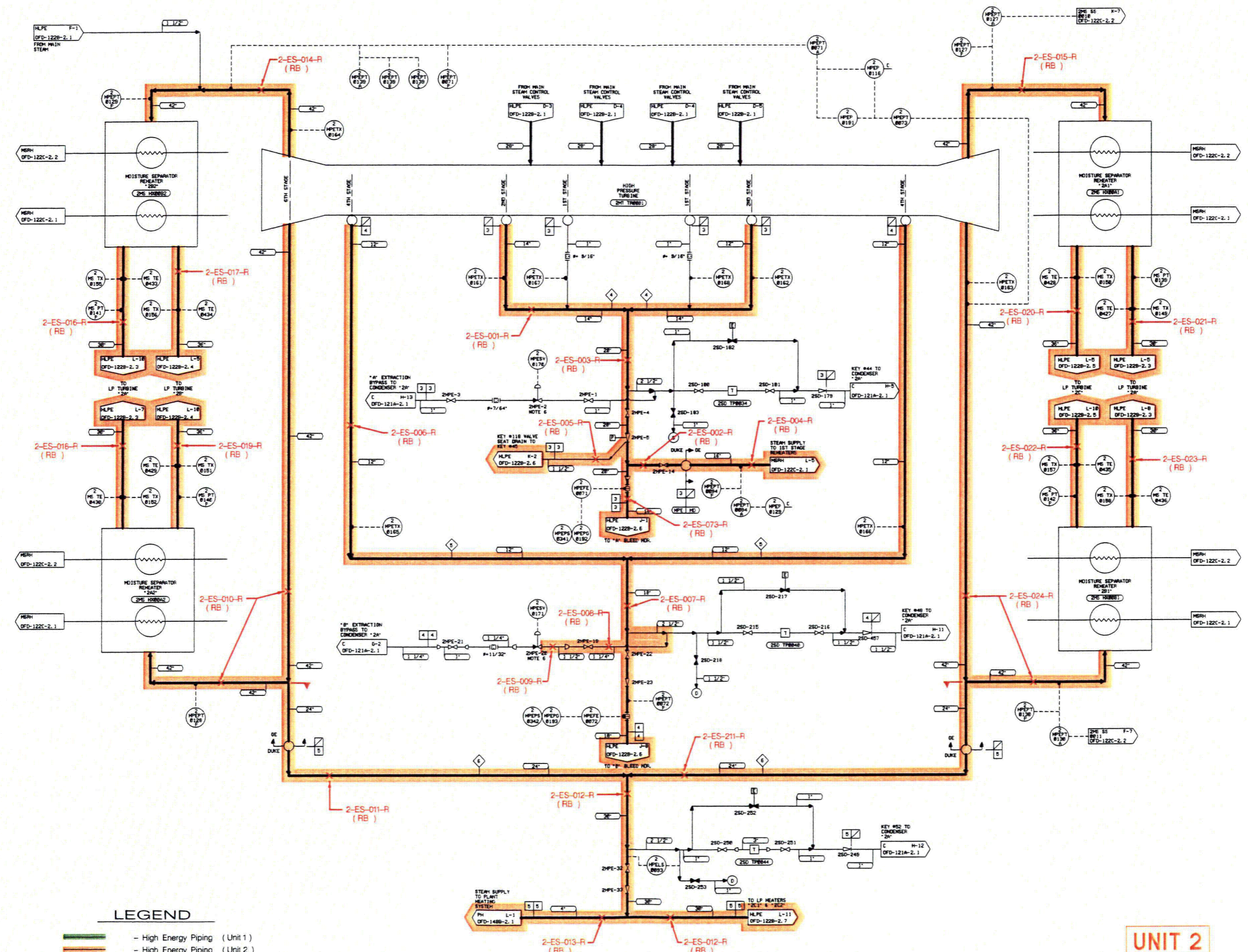
- - High Energy Piping (Unit 1)
- - High Energy Piping (Unit 2)
- - High Energy Piping (Unit 3)
- X - High Energy Line Break Location
- N-SYS-NNN (-N) - Break Number
- TE - Terminal End (Break)
- RB - Running Break
- CR - Critical Crack
- IB - Intermediate Break
- ┆ - Running Break Boundary

FIGURE 5.1-3
EXTRACTION STEAM SYSTEM
 High Energy Lines, Piping Configurations,
 Boundaries, Break Locations and Numbers
 (Sheet 1 of 9)

UNIT 2

THIS DIAGRAM IS FOR HIGH ENERGY LINE
 BREAK PURPOSES ONLY.
 REFERENCE FLOW DIAGRAM OFD-122A-2.3 FOR
 COMPLETE SYSTEM DESIGN INFORMATION.

HELB-122A-02-03



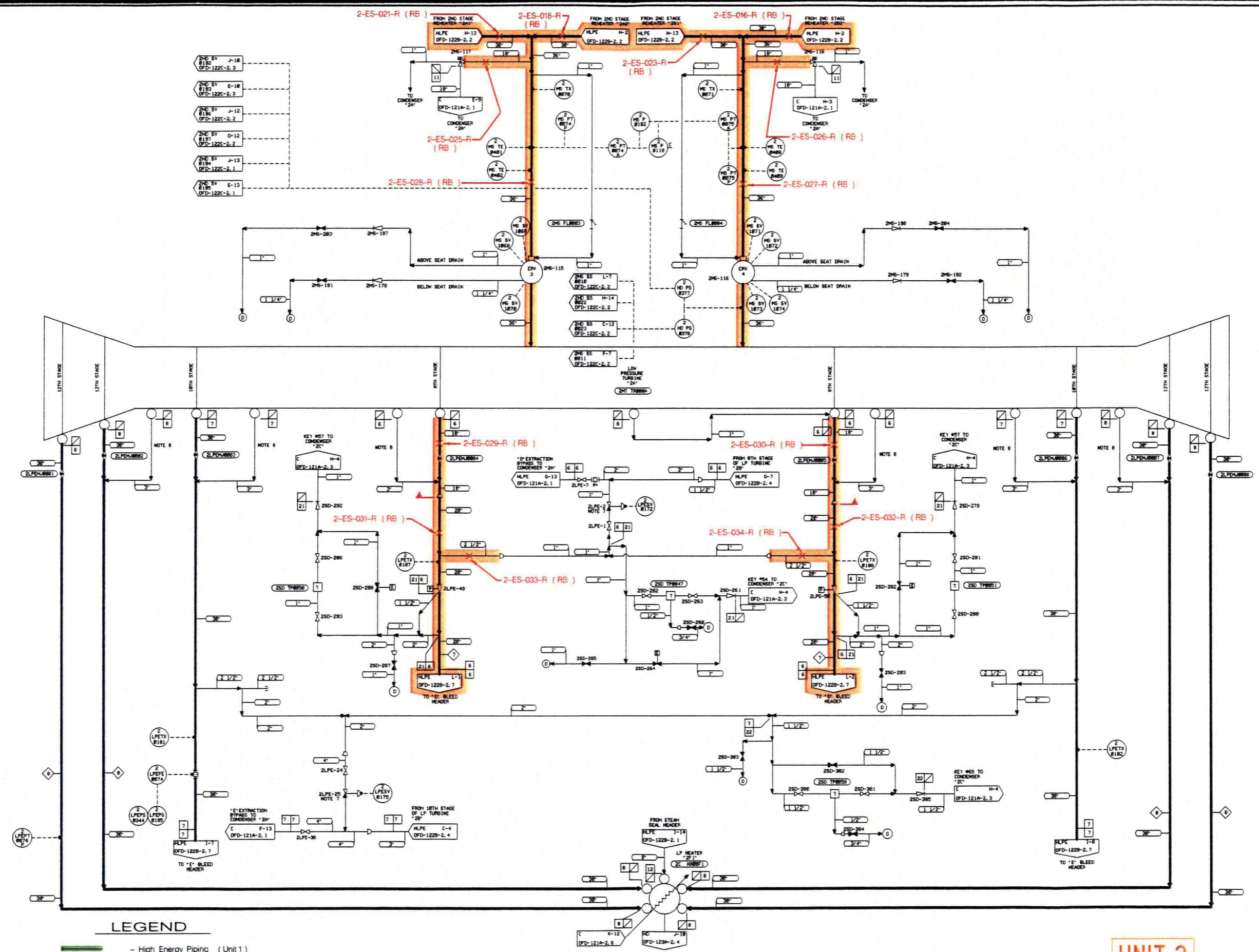
- LEGEND**
- High Energy Piping (Unit 1)
 - High Energy Piping (Unit 2)
 - High Energy Piping (Unit 3)
 - X High Energy Line Break Location
 - N-SYS-NNN (-N) Break Number
 - TE Terminal End (Break)
 - RB Running Break
 - CR Critical Crack
 - IB Intermediate Break
 - ↑ Running Break Boundary

FIGURE 5.1-3
EXTRACTION STEAM SYSTEM
 High Energy Lines, Piping Configurations,
 Boundaries, Break Locations and Numbers
 (Sheet 2 of 9)

UNIT 2

THIS DIAGRAM IS FOR HIGH ENERGY LINE
 BREAK PURPOSES ONLY.
 REFERENCE FLOW DIAGRAM OFD-122B-2.2 FOR
 COMPLETE SYSTEM DESIGN INFORMATION.

HELB-122B-02-02



LEGEND

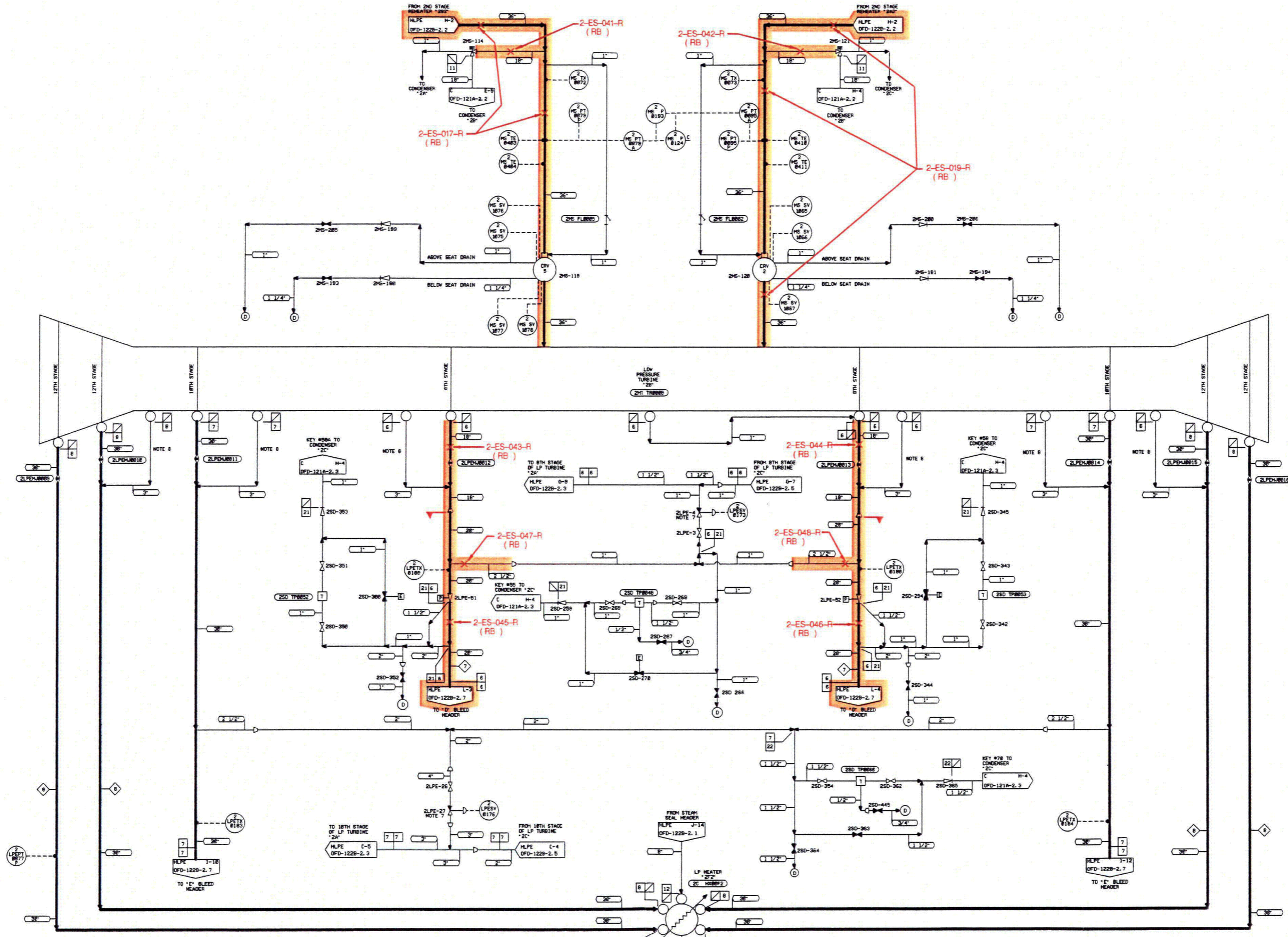
- - High Energy Piping (Unit 1)
- - High Energy Piping (Unit 2)
- - High Energy Piping (Unit 3)
- X - High Energy Line Break Location
- N-SYS-NNN (-N) - Break Number
- TE - Terminal End (Break)
- RB - Running Break
- CR - Critical Crack
- IB - Intermediate Break
- - Running Break Boundary

FIGURE 5.1-3
EXTRACTION STEAM SYSTEM
 High Energy Lines, Piping Configurations,
 Boundaries, Break Locations and Numbers
 (Sheet 3 of 9)

UNIT 2

THIS DIAGRAM IS FOR HIGH ENERGY LINE
 BREAK PURPOSES ONLY.
 REFERENCE FLOW DIAGRAM OFD-122B-2.3 FOR
 COMPLETE SYSTEM DESIGN INFORMATION.

HELB-122B-02-03



LEGEND

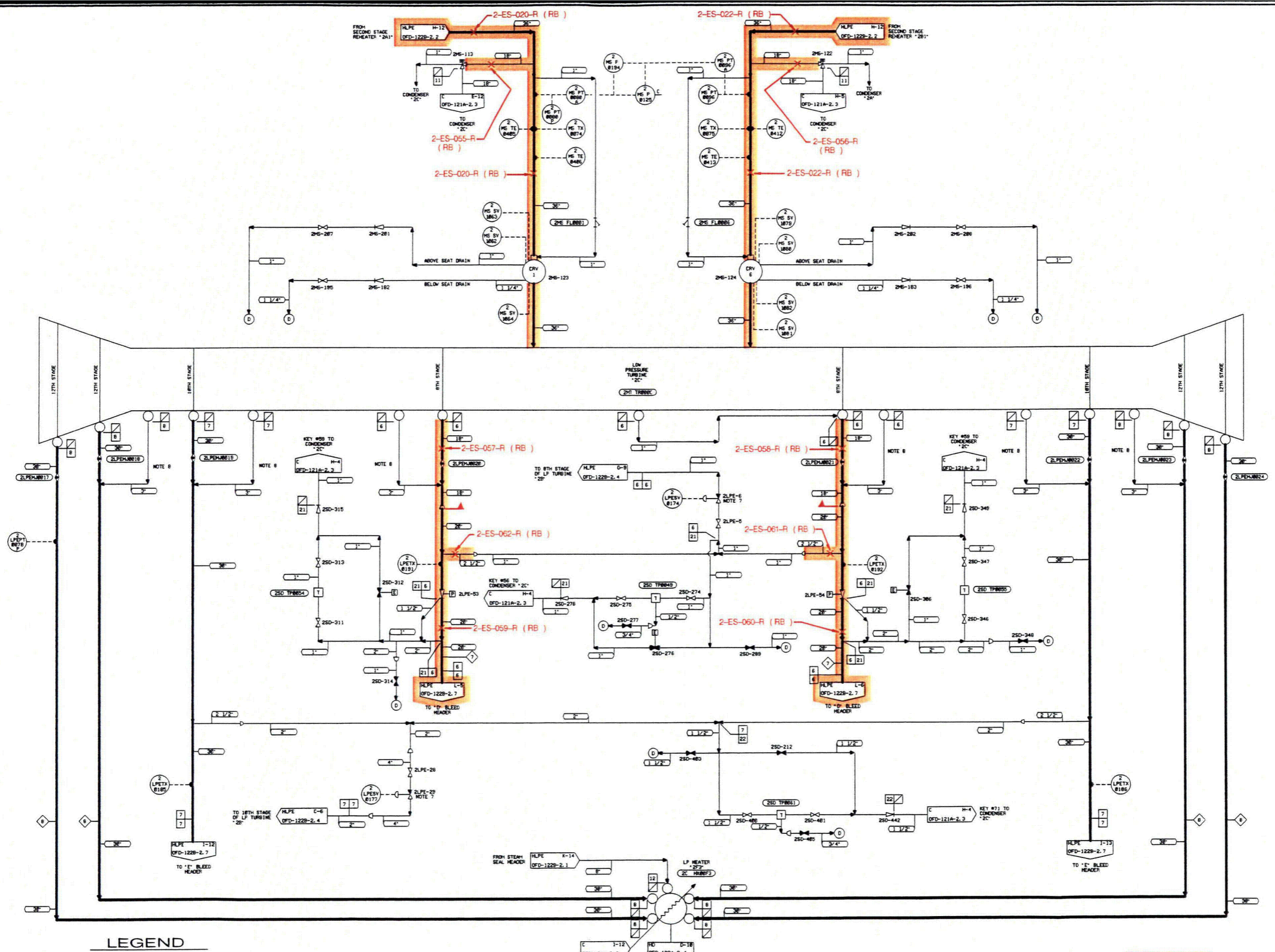
- - High Energy Piping (Unit 1)
- - High Energy Piping (Unit 2)
- - High Energy Piping (Unit 3)
- X - High Energy Line Break Location
- N-SYS-NNN (-N) - Break Number
- TE - Terminal End (Break)
- RB - Running Break
- CR - Critical Crack
- IB - Intermediate Break
- ↑ - Running Break Boundary

FIGURE 5.1-3
EXTRACTION STEAM SYSTEM
 High Energy Lines, Piping Configurations,
 Boundaries, Break Locations and Numbers
 (Sheet 4 of 9)

UNIT 2

THIS DIAGRAM IS FOR HIGH ENERGY LINE
 BREAK PURPOSES ONLY.
 REFERENCE FLOW DIAGRAM OFD-122B-2.4 FOR
 COMPLETE SYSTEM DESIGN INFORMATION.

HELB-122B-02-04



LEGEND

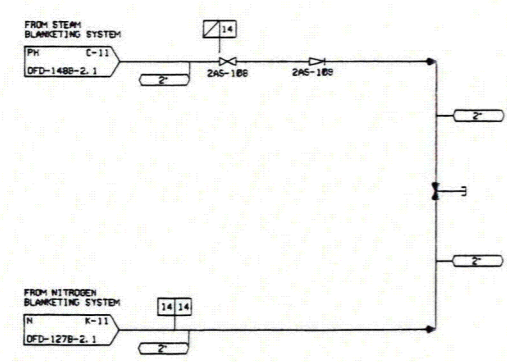
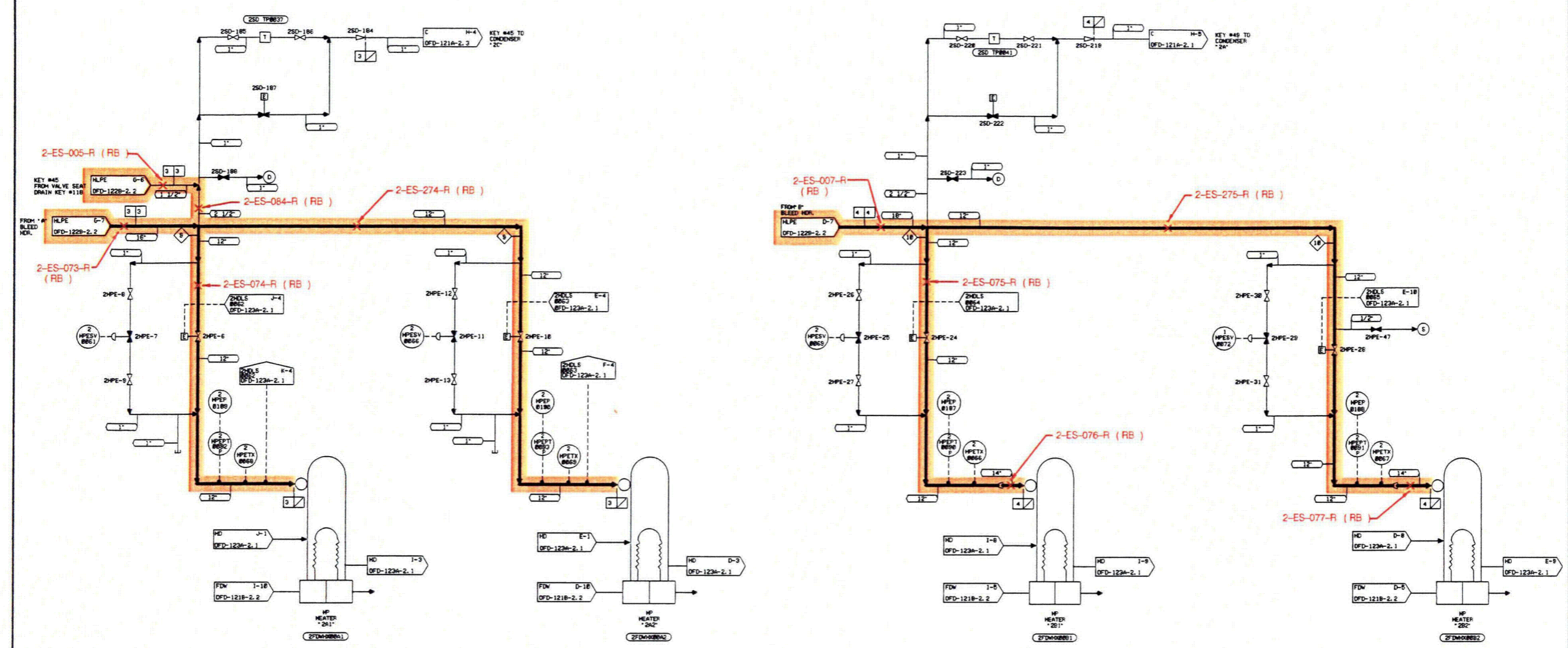
- - High Energy Piping (Unit 1)
- - High Energy Piping (Unit 2)
- - High Energy Piping (Unit 3)
- X - High Energy Line Break Location
- N-SYS-NNN (-N) - Break Number
- TE - Terminal End (Break)
- RB - Running Break
- CR - Critical Crack
- IB - Intermediate Break
- ↑ - Running Break Boundary

FIGURE 5.1-3
EXTRACTION STEAM SYSTEM
 High Energy Lines, Piping Configurations,
 Boundaries, Break Locations and Numbers
 (Sheet 5 of 9)

UNIT 2

THIS DIAGRAM IS FOR HIGH ENERGY LINE
 BREAK PURPOSES ONLY.
 REFERENCE FLOW DIAGRAM OFD-122B-2.5 FOR
 COMPLETE SYSTEM DESIGN INFORMATION.

HELB-122B-02-05



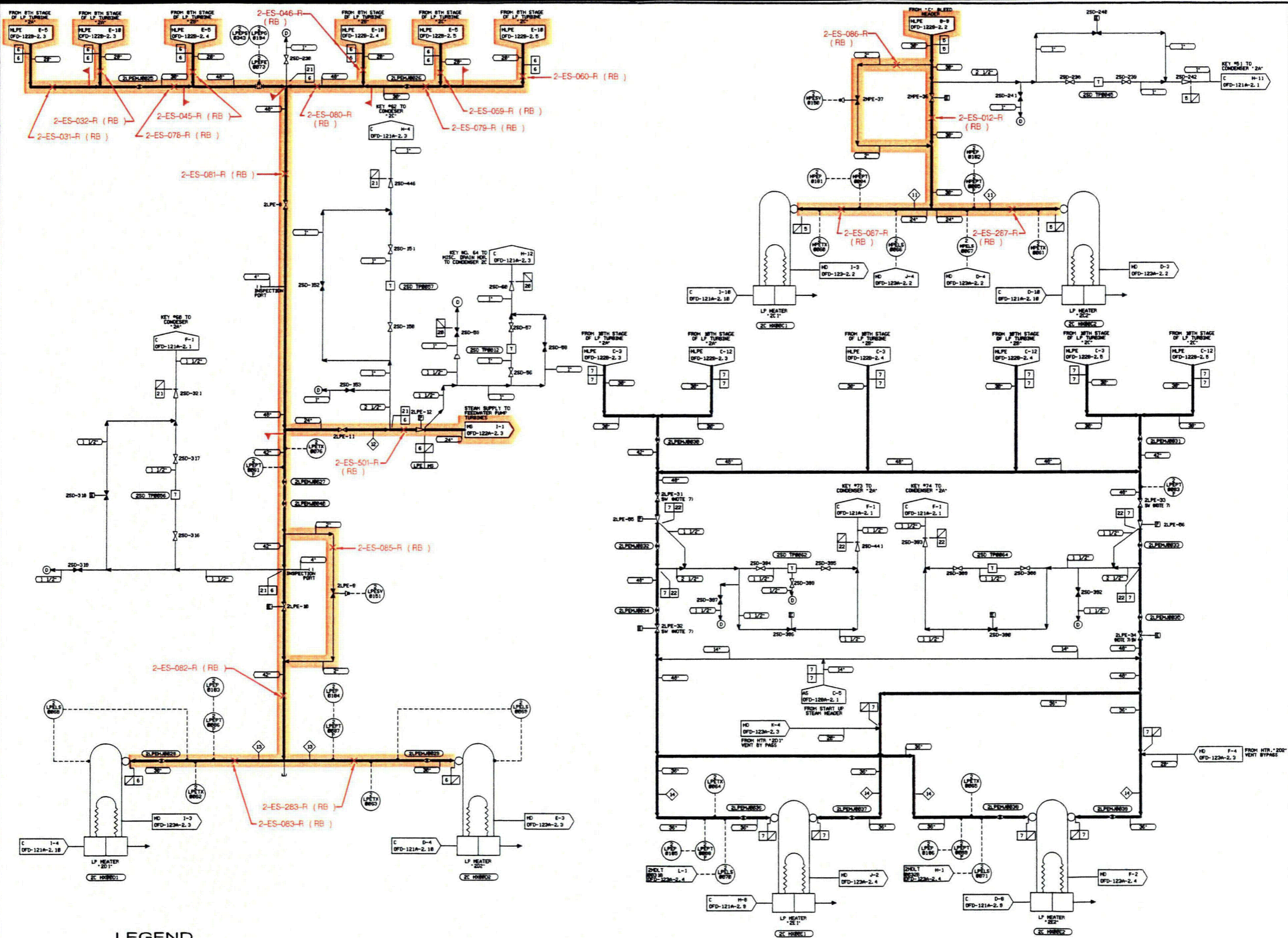
- LEGEND**
- - High Energy Piping (Unit 1)
 - - High Energy Piping (Unit 2)
 - - High Energy Piping (Unit 3)
 - X - High Energy Line Break Location
 - N-SYS-NNN (-N) - Break Number
 - TE - Terminal End (Break)
 - RB - Running Break
 - CR - Critical Crack
 - IB - Intermediate Break
 - ↑ - Running Break Boundary

FIGURE 5.1-3
EXTRACTION STEAM SYSTEM
 High Energy Lines, Piping Configurations,
 Boundaries, Break Locations and Numbers
 (Sheet 6 of 9)

UNIT 2

THIS DIAGRAM IS FOR HIGH ENERGY LINE
 BREAK PURPOSES ONLY.
 REFERENCE FLOW DIAGRAM OFD-122B-2.6 FOR
 COMPLETE SYSTEM DESIGN INFORMATION.

HELB-122B-02-06



LEGEND

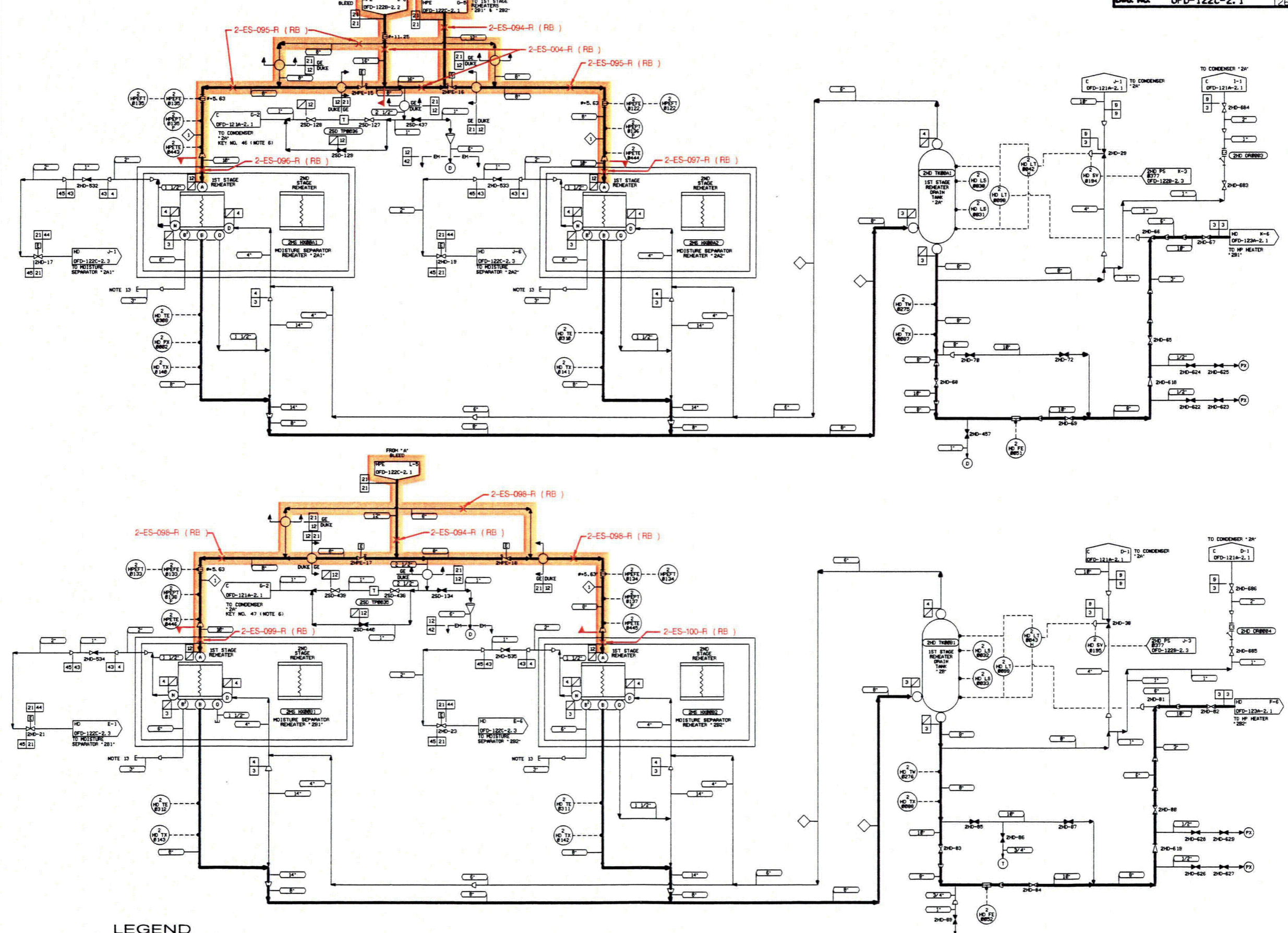
- - High Energy Piping (Unit 1)
- - High Energy Piping (Unit 2)
- - High Energy Piping (Unit 3)
- X - High Energy Line Break Location
- N-SYS-NNN (-N) - Break Number
- TE - Terminal End (Break)
- RB - Running Break
- CR - Critical Crack
- IB - Intermediate Break
- ↑ - Running Break Boundary

FIGURE 5.1-3
EXTRACTION STEAM SYSTEM
 High Energy Lines, Piping Configurations,
 Boundaries, Break Locations and Numbers
 (Sheet 7 of 9)

UNIT 2

THIS DIAGRAM IS FOR HIGH ENERGY LINE
 BREAK PURPOSES ONLY.
 REFERENCE FLOW DIAGRAM OFD-122B-2.7 FOR
 COMPLETE SYSTEM DESIGN INFORMATION.

HELB-122B-02-07



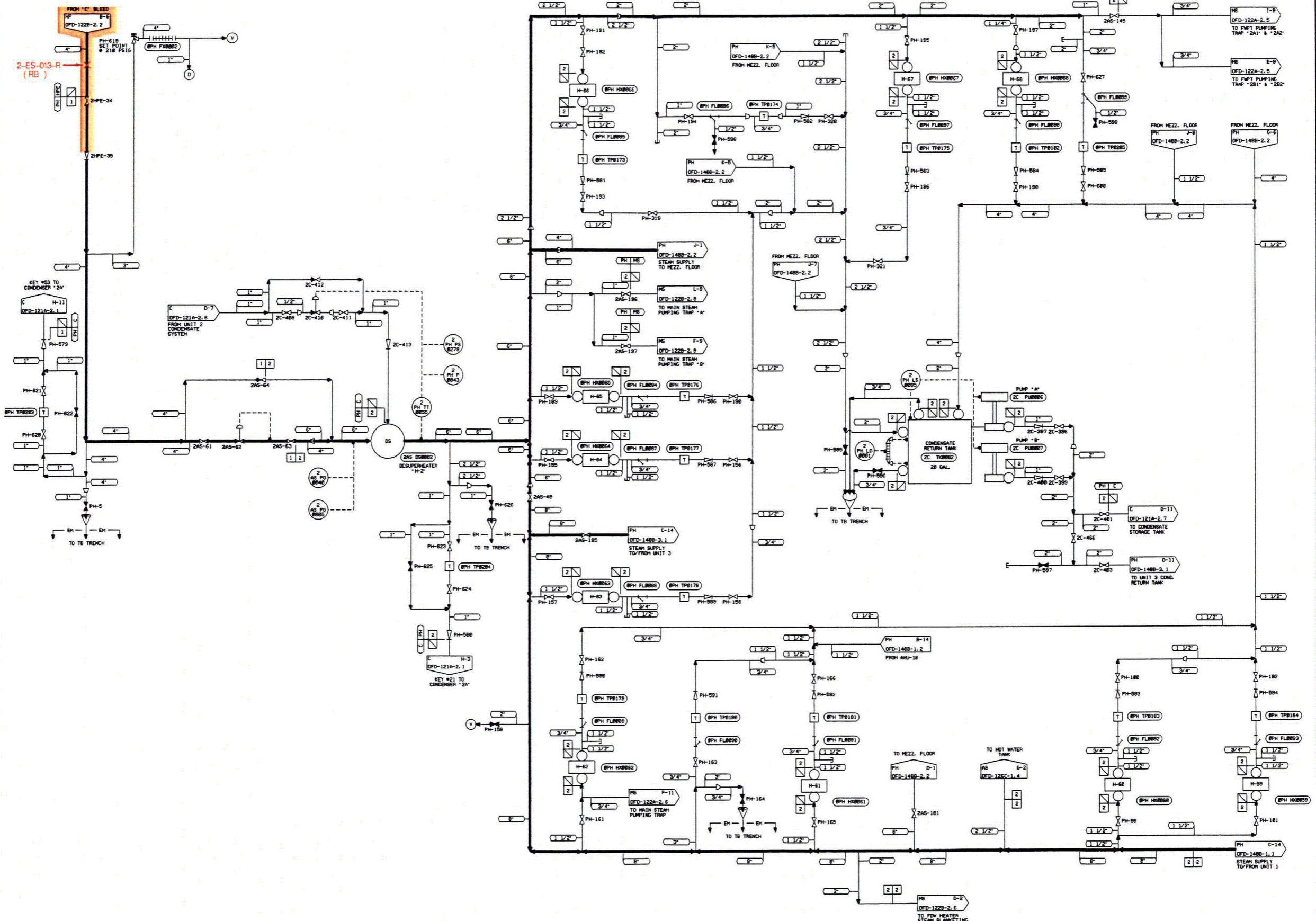
- LEGEND**
- - High Energy Piping (Unit 1)
 - - High Energy Piping (Unit 2)
 - - High Energy Piping (Unit 3)
 - X - High Energy Line Break Location
 - N-SYS-NNN (-N) - Break Number
 - TE - Terminal End (Break)
 - RB - Running Break
 - CR - Critical Crack
 - IB - Intermediate Break
 - ↑ - Running Break Boundary

FIGURE 5.1-3
EXTRACTION STEAM SYSTEM
 High Energy Lines, Piping Configurations,
 Boundaries, Break Locations and Numbers
 (Sheet 8 of 9)

UNIT 2

THIS DIAGRAM IS FOR HIGH ENERGY LINE
 BREAK PURPOSES ONLY.
 REFERENCE FLOW DIAGRAM OFD-122C-2.1 FOR
 COMPLETE SYSTEM DESIGN INFORMATION.

HELB-122C-02-01



LEGEND

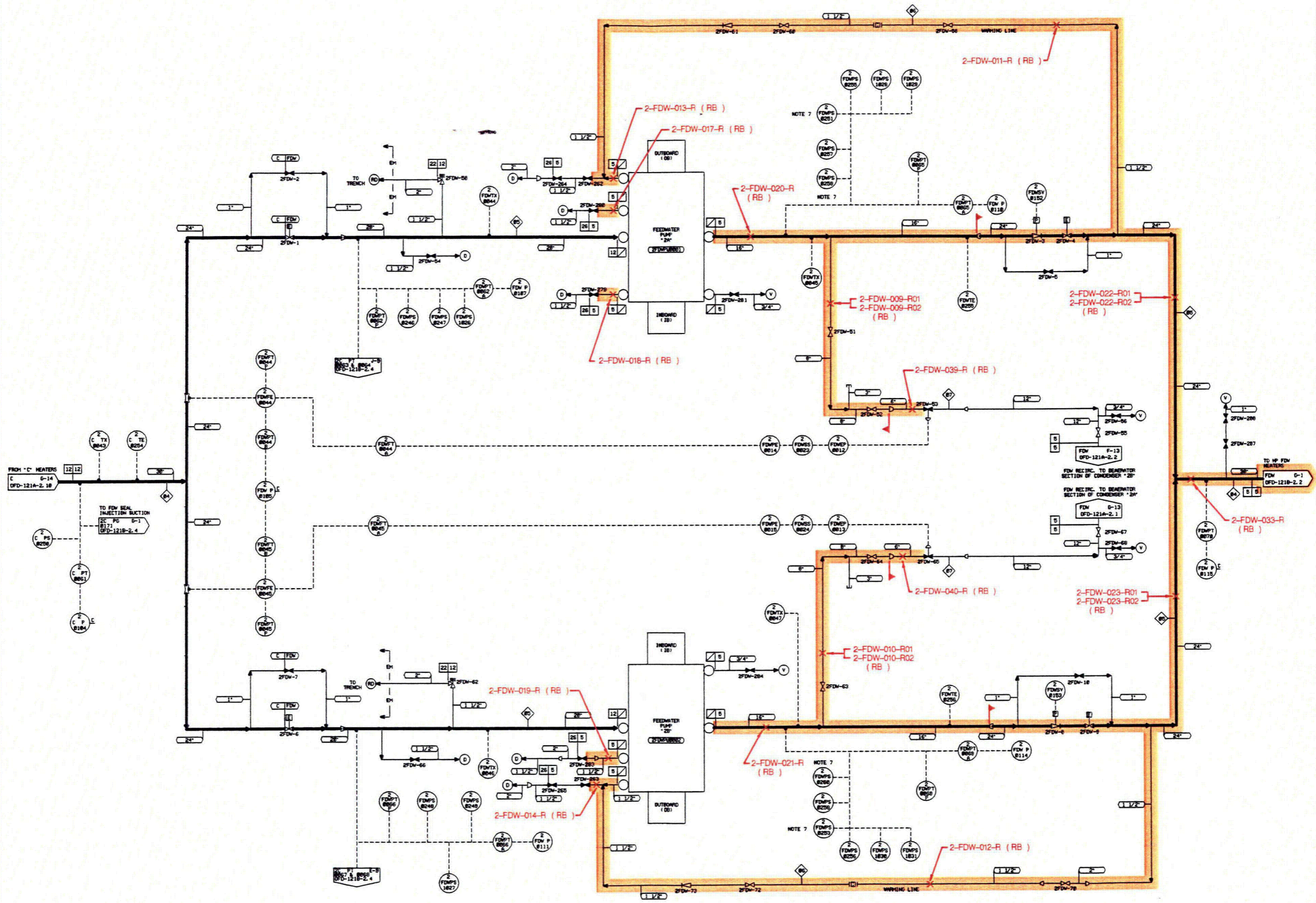
- High Energy Piping (Unit 1)
- High Energy Piping (Unit 2)
- High Energy Piping (Unit 3)
- X High Energy Line Break Location
- N-SYS-NNN (-N) Break Number
- TE Terminal End (Break)
- RB Running Break
- CR Critical Crack
- IB Intermediate Break
- ↑ Running Break Boundary

FIGURE 5.1-3
EXTRACTION STEAM SYSTEM
 High Energy Lines, Piping Configurations,
 Boundaries, Break Locations and Numbers
 (Sheet 9 of 9)

UNIT 2

THIS DIAGRAM IS FOR HIGH ENERGY LINE
 BREAK PURPOSES ONLY.
 REFERENCE FLOW DIAGRAM OFD-148B-2.1 FOR
 COMPLETE SYSTEM DESIGN INFORMATION.

HELB-148B-02-01



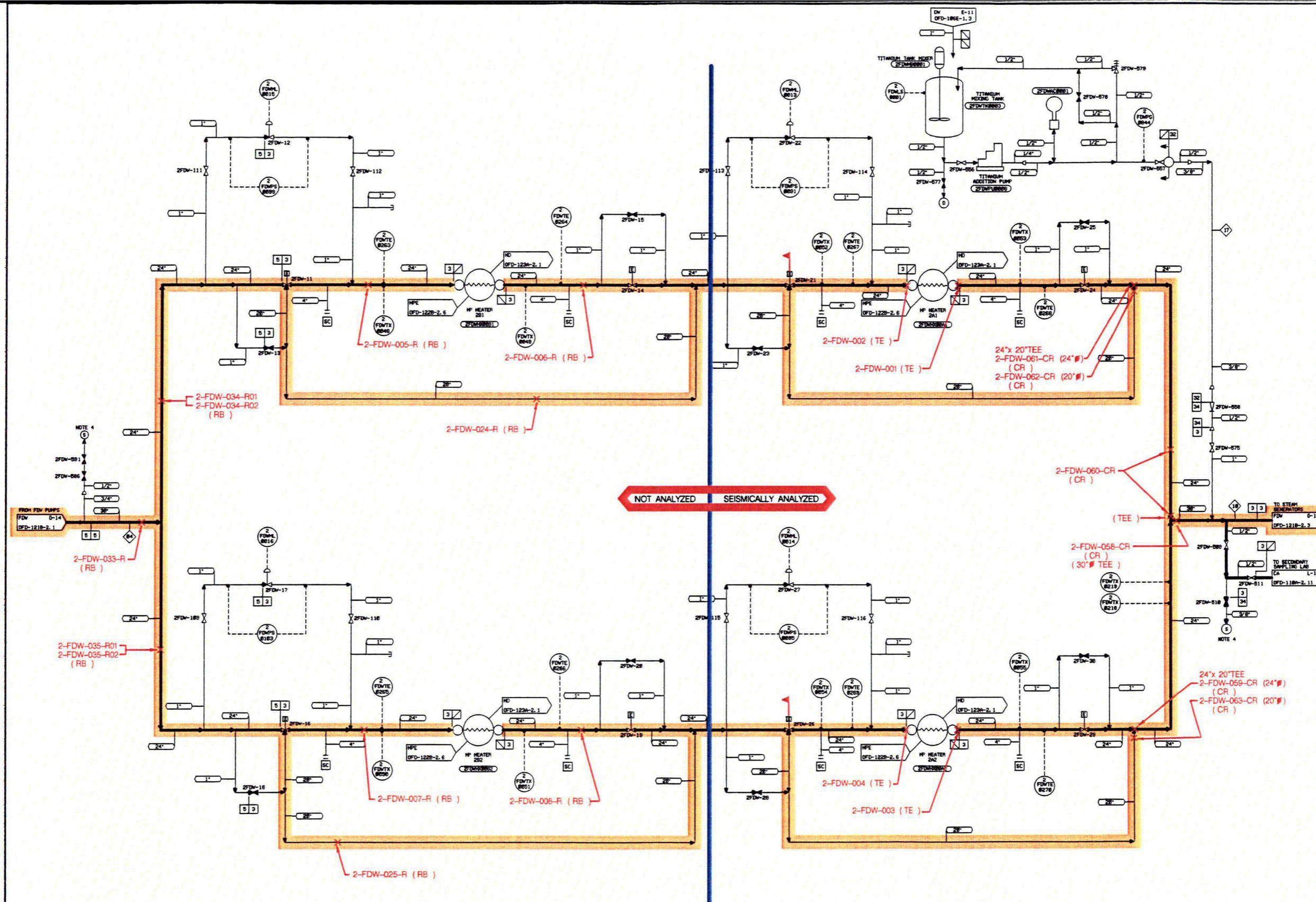
- LEGEND**
- - High Energy Piping (Unit 1)
 - - High Energy Piping (Unit 2)
 - - High Energy Piping (Unit 3)
 - X - High Energy Line Break Location
 - N-SYS-NNN (-N) - Break Number
 - TE - Terminal End (Break)
 - RB - Running Break
 - CR - Critical Crack
 - IB - Intermediate Break
 - ↑ - Running Break Boundary

FIGURE 5.1-4
MAIN FEEDWATER SYSTEM
 High Energy Lines, Piping Configurations,
 Boundaries, Break Locations and Numbers
 (Sheet 1 of 4)

UNIT 2

THIS DIAGRAM IS FOR HIGH ENERGY LINE
 BREAK PURPOSES ONLY.
 REFERENCE FLOW DIAGRAM OFD-121B-2.1 FOR
 COMPLETE SYSTEM DESIGN INFORMATION.

HELB-121B-02-01



- LEGEND**
- - High Energy Piping (Unit 1)
 - - High Energy Piping (Unit 2)
 - - High Energy Piping (Unit 3)
 - X - High Energy Line Break Location
 - N-SYS-NNN (-N) - Break Number
 - TE - Terminal End (Break)
 - RB - Running Break
 - CR - Critical Crack
 - IB - Intermediate Break
 - ↑ - Running Break Boundary

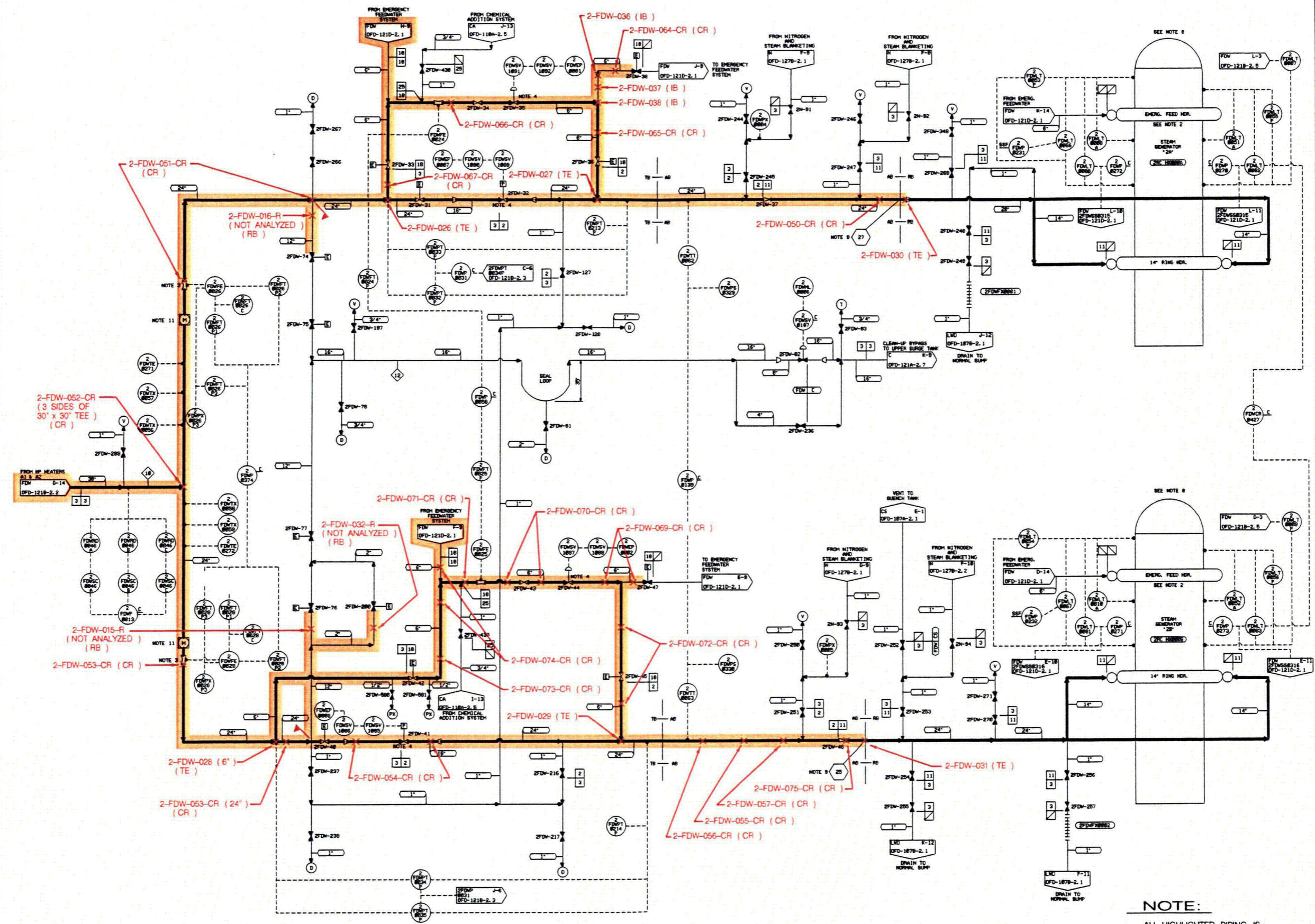
NOTE:
ALL HIGHLIGHTED PIPING IS ANALYZED EXCEPT AS NOTED.

UNIT 2

FIGURE 5.1-4
MAIN FEEDWATER SYSTEM
High Energy Lines, Piping Configurations,
Boundaries, Break Locations and Numbers
(Sheet 2 of 4)

THIS DIAGRAM IS FOR HIGH ENERGY LINE BREAK PURPOSES ONLY.
REFERENCE FLOW DIAGRAM OFD-121B-2.2 FOR COMPLETE SYSTEM DESIGN INFORMATION.

HELB-121B-02-02



LEGEND

- - High Energy Piping (Unit 1)
- - High Energy Piping (Unit 2)
- - High Energy Piping (Unit 3)
- X - High Energy Line Break Location
- N-SYS-NNN (-N) - Break Number
- TE - Terminal End (Break)
- RB - Running Break
- CR - Critical Crack
- IB - Intermediate Break
- ↗ - Running Break Boundary

FIGURE 5.1-4
MAIN FEEDWATER SYSTEM

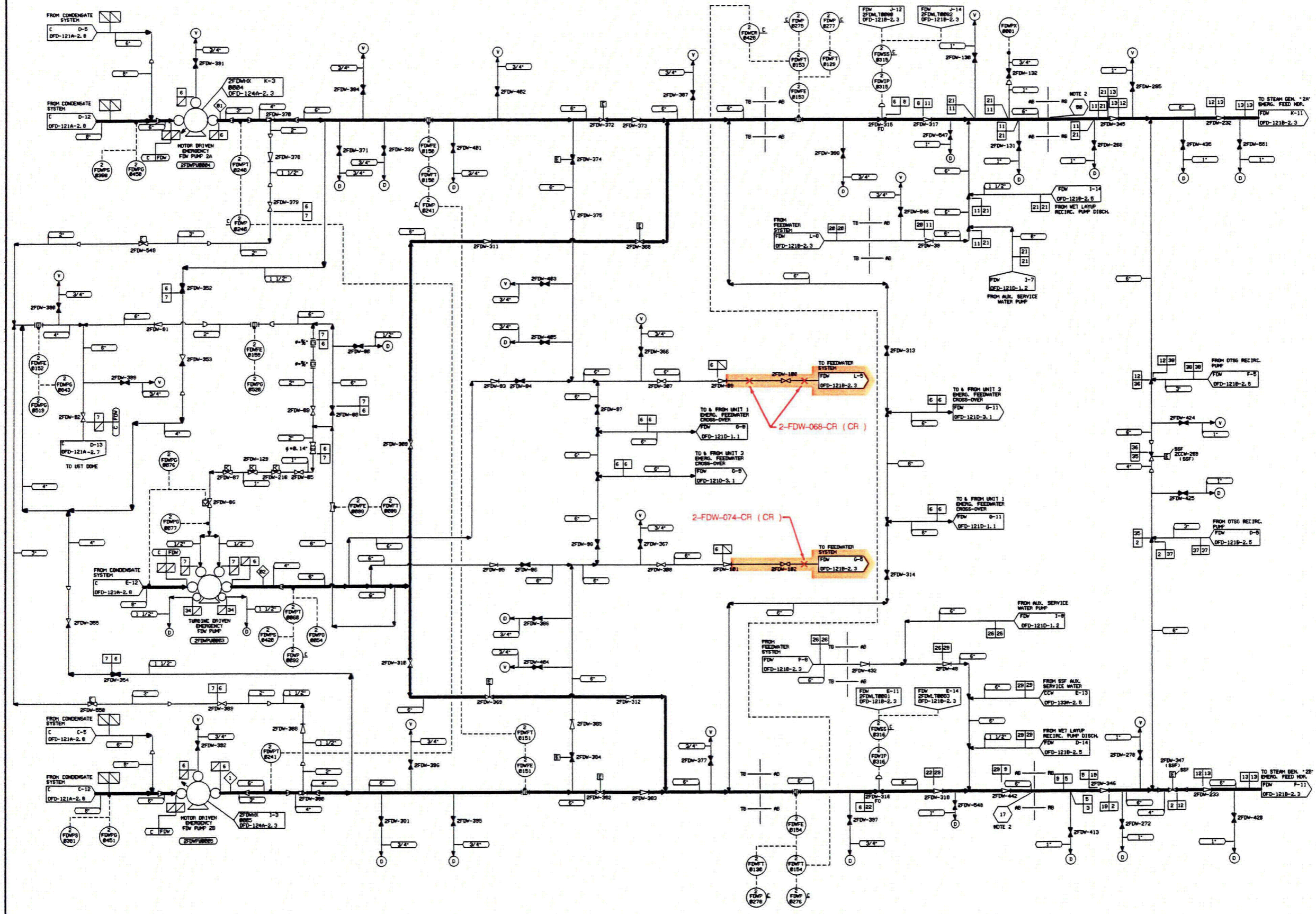
High Energy Lines, Piping Configurations, Boundaries, Break Locations and Numbers
 (Sheet 3 of 4)

NOTE:
 ALL HIGHLIGHTED PIPING IS ANALYZED EXCEPT AS NOTED.

UNIT 2

THIS DIAGRAM IS FOR HIGH ENERGY LINE BREAK PURPOSES ONLY. REFERENCE FLOW DIAGRAM OFD-121B-2.3 FOR COMPLETE SYSTEM DESIGN INFORMATION.

HELB-121B-02-03



LEGEND

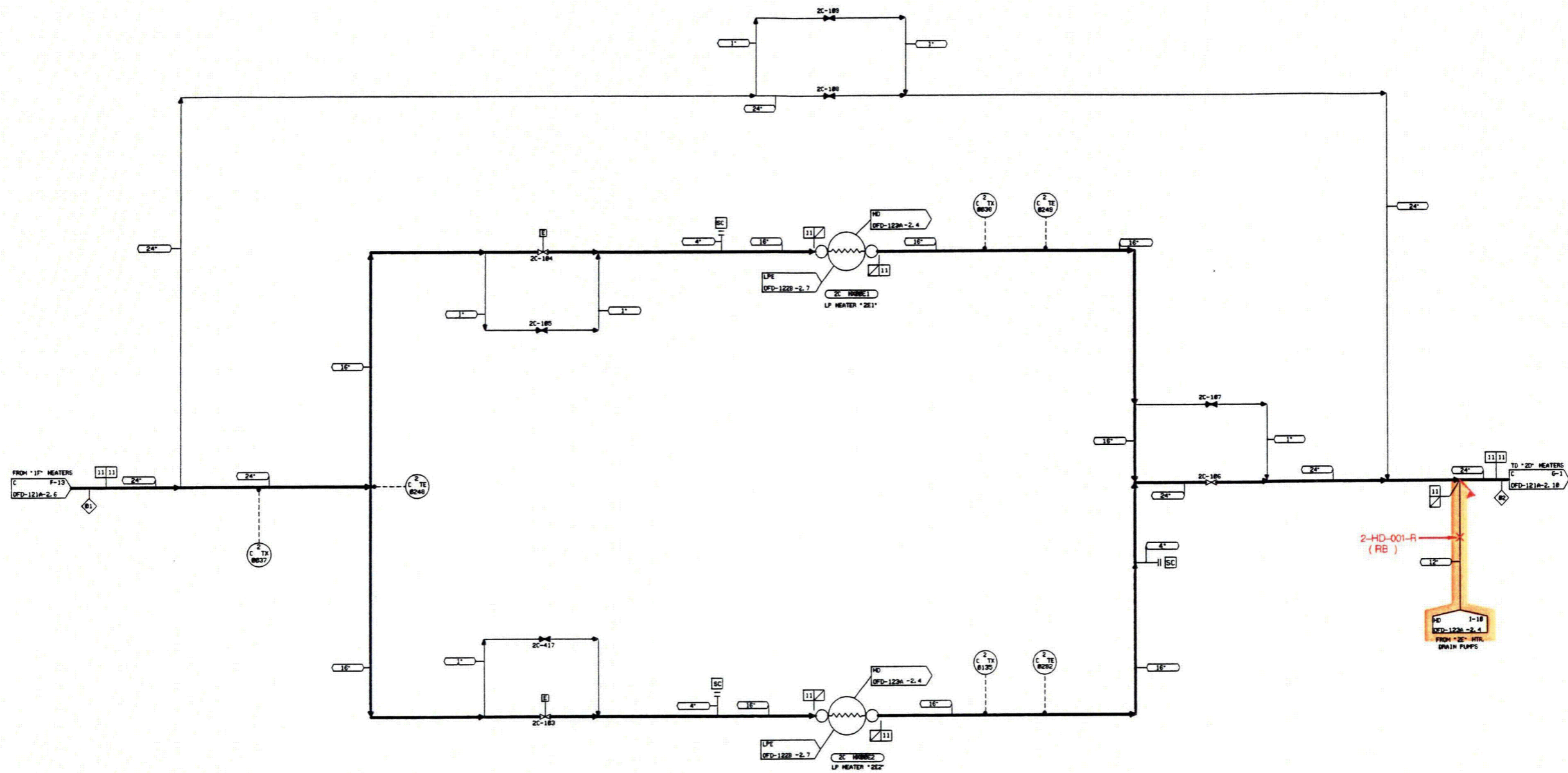
- - High Energy Piping (Unit 1)
- - High Energy Piping (Unit 2)
- - High Energy Piping (Unit 3)
- X - High Energy Line Break Location
- N-SYS-NNN (-N) - Break Number
- TE - Terminal End (Break)
- RB - Running Break
- CR - Critical Crack
- IB - Intermediate Break
- ↑ - Running Break Boundary

FIGURE 5.1-4
MAIN FEEDWATER SYSTEM
 High Energy Lines, Piping Configurations,
 Boundaries, Break Locations and Numbers
 (Sheet 4 of 4)

UNIT 2

THIS DIAGRAM IS FOR HIGH ENERGY LINE
 BREAK PURPOSES ONLY.
 REFERENCE FLOW DIAGRAM OFD-121D-2.1 FOR
 COMPLETE SYSTEM DESIGN INFORMATION.

HELB-121D-02-01



LEGEND

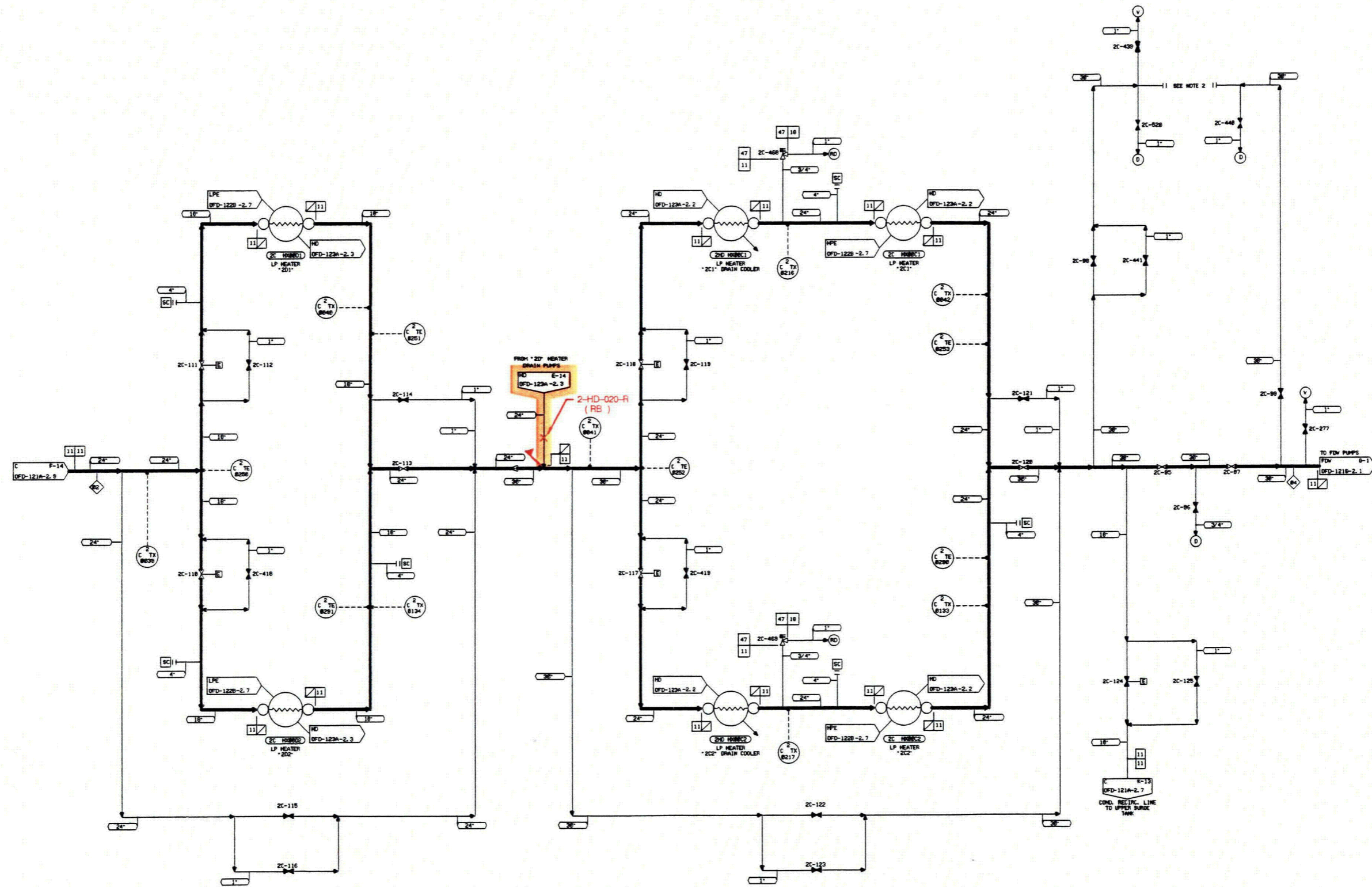
- - High Energy Piping (Unit 1)
- - High Energy Piping (Unit 2)
- - High Energy Piping (Unit 3)
- X - High Energy Line Break Location
- N-SYS-NNN (-N) - Break Number
- TE - Terminal End (Break)
- RB - Running Break
- CR - Critical Crack
- IB - Intermediate Break
- ↑ - Running Break Boundary

FIGURE 5.1-5
HEATER DRAIN SYSTEM
 High Energy Lines, Piping Configurations,
 Boundaries, Break Locations and Numbers
 (Sheet 1 of 7)

UNIT 2

THIS DIAGRAM IS FOR HIGH ENERGY LINE
 BREAK PURPOSES ONLY.
 REFERENCE FLOW DIAGRAM OFD-121A-2.9 FOR
 COMPLETE SYSTEM DESIGN INFORMATION.

HELB-121A-02-09



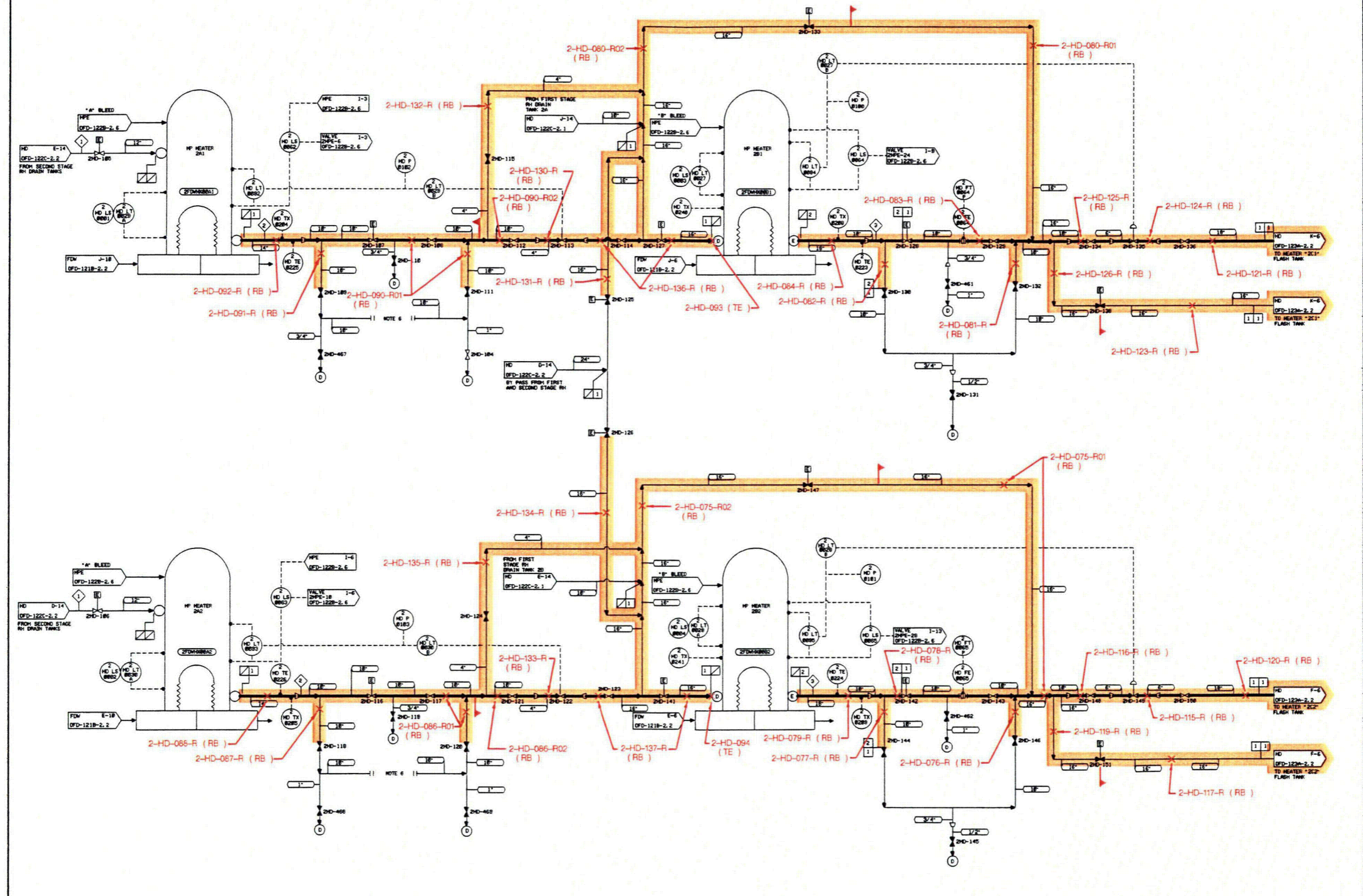
- LEGEND**
- - High Energy Piping (Unit 1)
 - - High Energy Piping (Unit 2)
 - - High Energy Piping (Unit 3)
 - X - High Energy Line Break Location
 - N-SYS-NNN (-N) - Break Number
 - TE - Terminal End (Break)
 - RB - Running Break
 - CR - Critical Crack
 - IB - Intermediate Break
 - ↑ - Running Break Boundary

FIGURE 5.1-5
HEATER DRAIN SYSTEM
 High Energy Lines, Piping Configurations,
 Boundaries, Break Locations and Numbers
 (Sheet 2 of 7)

UNIT 2

THIS DIAGRAM IS FOR HIGH ENERGY LINE
 BREAK PURPOSES ONLY.
 REFERENCE FLOW DIAGRAM OFD-121A-2.10 FOR
 COMPLETE SYSTEM DESIGN INFORMATION.

HELB-121A-02-10



LEGEND

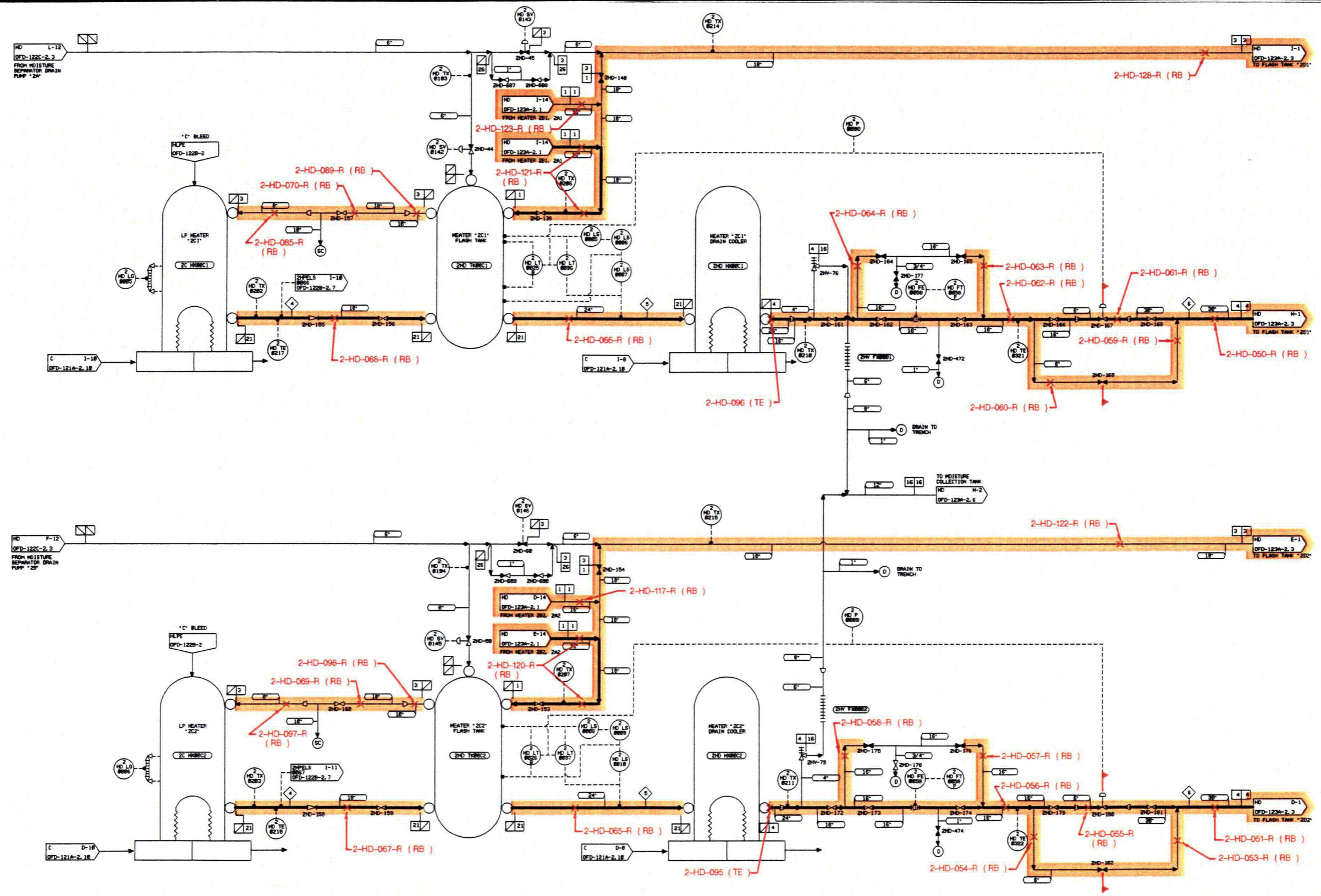
- - High Energy Piping (Unit 1)
- - High Energy Piping (Unit 2)
- - High Energy Piping (Unit 3)
- X - High Energy Line Break Location
- N-SYS-NNN (-N) - Break Number
- TE - Terminal End (Break)
- RB - Running Break
- CR - Critical Crack
- IB - Intermediate Break
- ↑ - Running Break Boundary

FIGURE 5.1-5
HEATER DRAIN SYSTEM
 High Energy Lines, Piping Configurations,
 Boundaries, Break Locations and Numbers
 (Sheet 3 of 7)

UNIT 2

THIS DIAGRAM IS FOR HIGH ENERGY LINE
 BREAK PURPOSES ONLY.
 REFERENCE FLOW DIAGRAM OFD-123A-2.1 FOR
 COMPLETE SYSTEM DESIGN INFORMATION.

HELB-123A-02-01



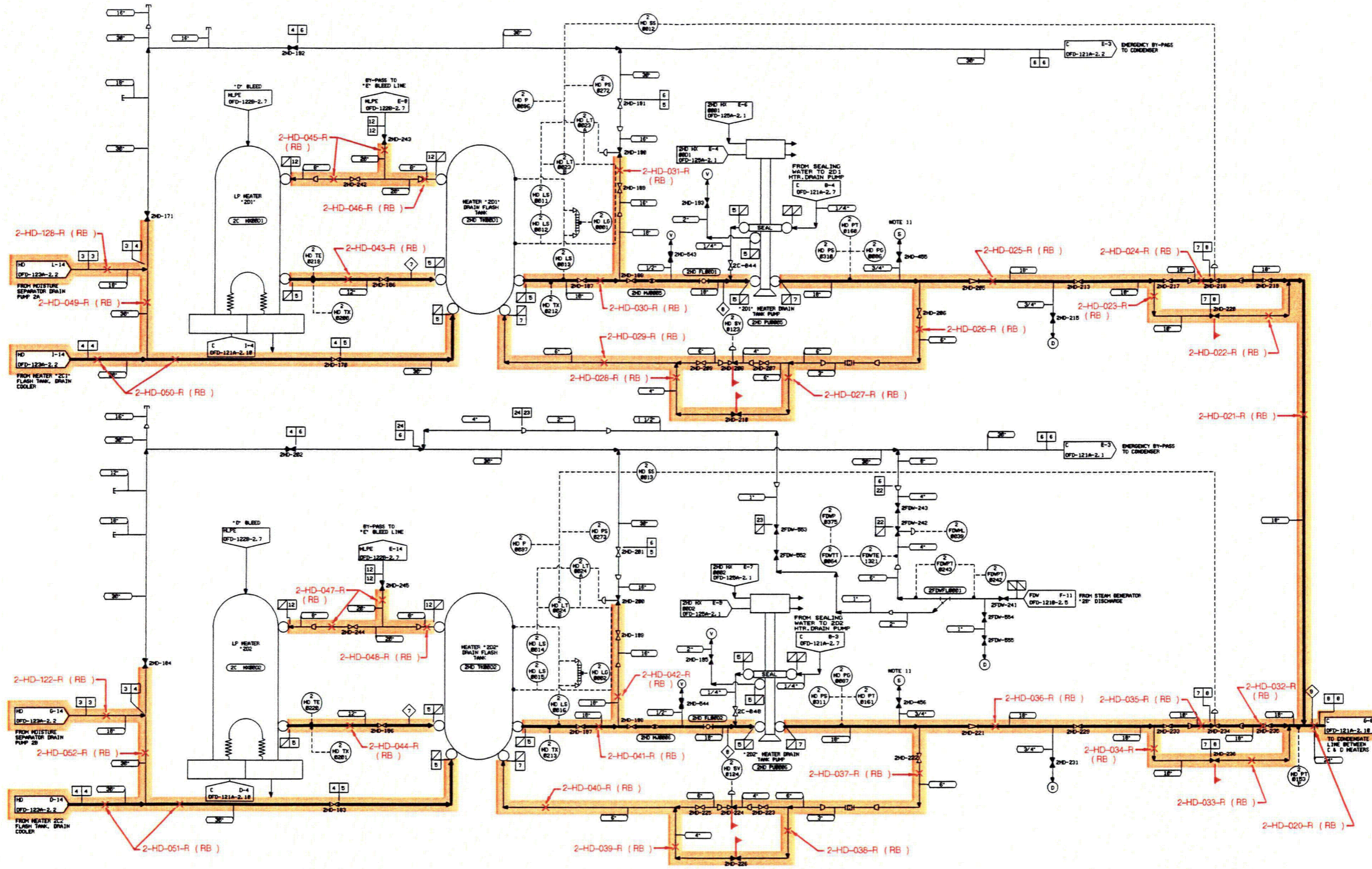
- LEGEND**
- High Energy Piping (Unit 1)
 - High Energy Piping (Unit 2)
 - High Energy Piping (Unit 3)
 - X - High Energy Line Break Location
 - N-SYS-NNN (-N) - Break Number
 - TE - Terminal End (Break)
 - RB - Running Break
 - CR - Critical Crack
 - IB - Intermediate Break
 - ↑ - Running Break Boundary

FIGURE 5.1-5
HEATER DRAIN SYSTEM
 High Energy Lines, Piping Configurations,
 Boundaries, Break Locations and Numbers
 (Sheet 4 of 7)

UNIT 2

THIS DIAGRAM IS FOR HIGH ENERGY LINE
 BREAK PURPOSES ONLY.
 REFERENCE FLOW DIAGRAM OFD-123A-2.2 FOR
 COMPLETE SYSTEM DESIGN INFORMATION.

HELB-123A-02-02



LEGEND

- High Energy Piping (Unit 1)
- High Energy Piping (Unit 2)
- High Energy Piping (Unit 3)
- X High Energy Line Break Location
- N-SYS-NNN (-N) Break Number
- TE Terminal End (Break)
- RB Running Break
- CR Critical Crack
- IB Intermediate Break
- ▶ Running Break Boundary

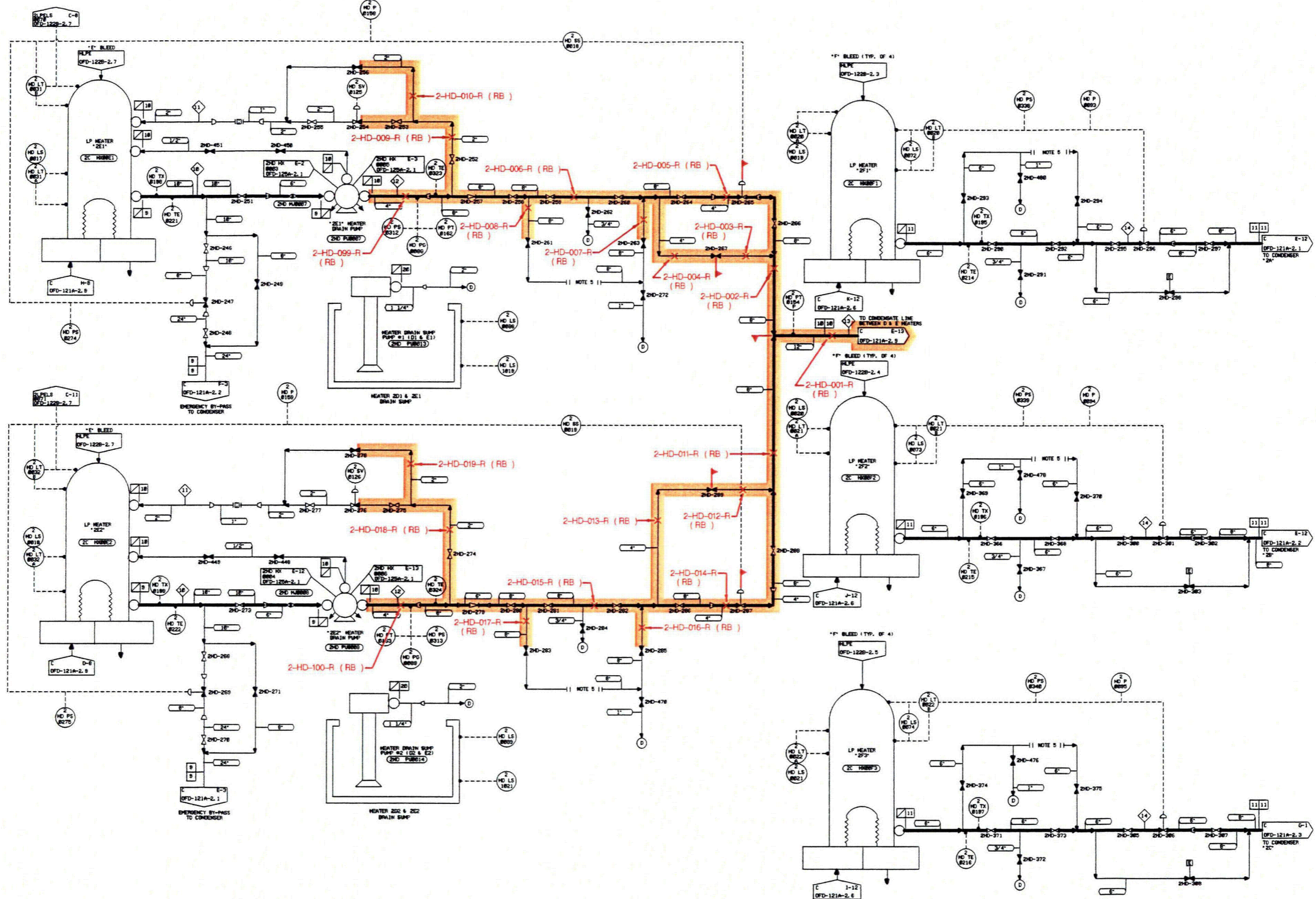
**FIGURE 5.1-5
HEATER DRAIN SYSTEM**

High Energy Lines, Piping Configurations,
Boundaries, Break Locations and Numbers
(Sheet 5 of 7)

UNIT 2

THIS DIAGRAM IS FOR HIGH ENERGY LINE
BREAK PURPOSES ONLY.
REFERENCE FLOW DIAGRAM OFD-123A-2.3 FOR
COMPLETE SYSTEM DESIGN INFORMATION.

HELB-123A-02-03



LEGEND

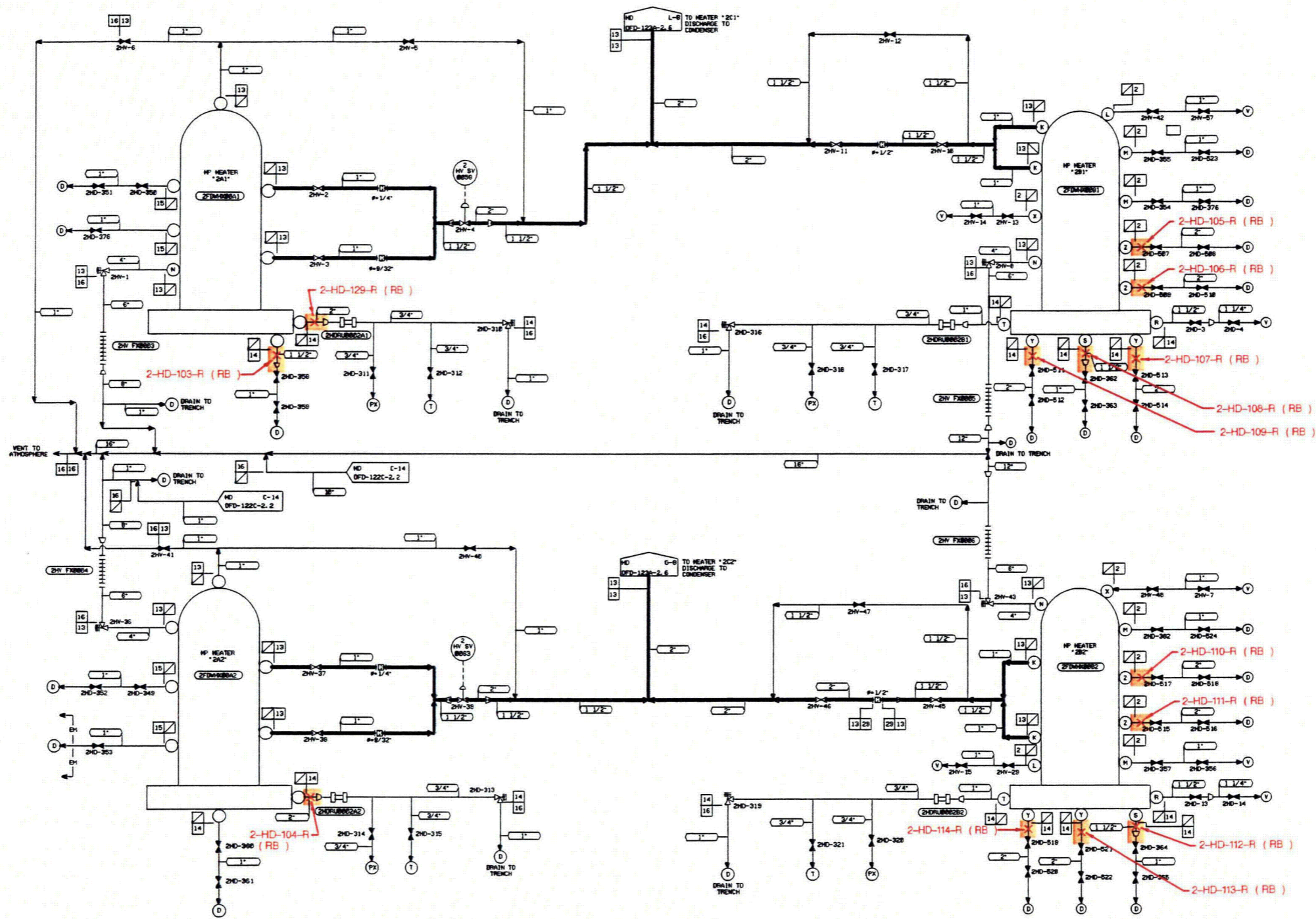
- High Energy Piping (Unit 1)
- High Energy Piping (Unit 2)
- High Energy Piping (Unit 3)
- X High Energy Line Break Location
- N-SYS-NNN (-N) Break Number
- TE Terminal End (Break)
- RB Running Break
- CR Critical Crack
- IB Intermediate Break
- ↑ Running Break Boundary

FIGURE 5.1-5
HEATER DRAIN SYSTEM
 High Energy Lines, Piping Configurations,
 Boundaries, Break Locations and Numbers
 (Sheet 6 of 7)

UNIT 2

THIS DIAGRAM IS FOR HIGH ENERGY LINE
 BREAK PURPOSES ONLY.
 REFERENCE FLOW DIAGRAM OFD-123A-2.4 FOR
 COMPLETE SYSTEM DESIGN INFORMATION.

HELB-123A-02-04



LEGEND

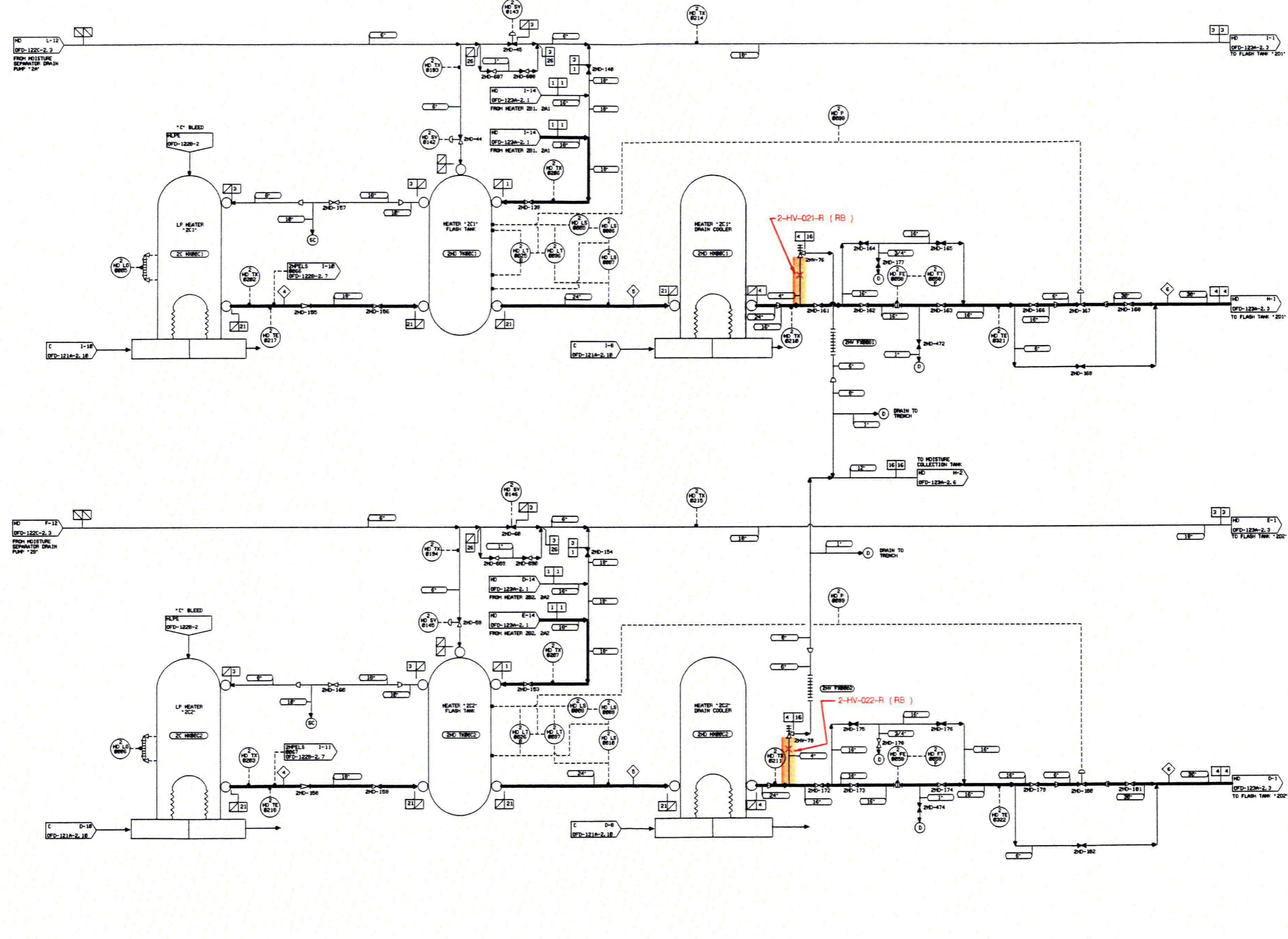
- - High Energy Piping (Unit 1)
- - High Energy Piping (Unit 2)
- - High Energy Piping (Unit 3)
- X - High Energy Line Break Location
- N-SYS-NNN (-N) - Break Number
- TE - Terminal End (Break)
- RB - Running Break
- CB - Critical Crack
- IB - Intermediate Break
- ↑ - Running Break Boundary

UNIT 2

FIGURE 5.1-5
HEATER DRAIN SYSTEM
 High Energy Lines, Piping Configurations,
 Boundaries, Break Locations and Numbers
 (Sheet 7 of 7)

THIS DIAGRAM IS FOR HIGH ENERGY LINE
 BREAK PURPOSES ONLY.
 REFERENCE FLOW DIAGRAM OFD-123A-2.5 FOR
 COMPLETE SYSTEM DESIGN INFORMATION.

HELB-123A-02-05



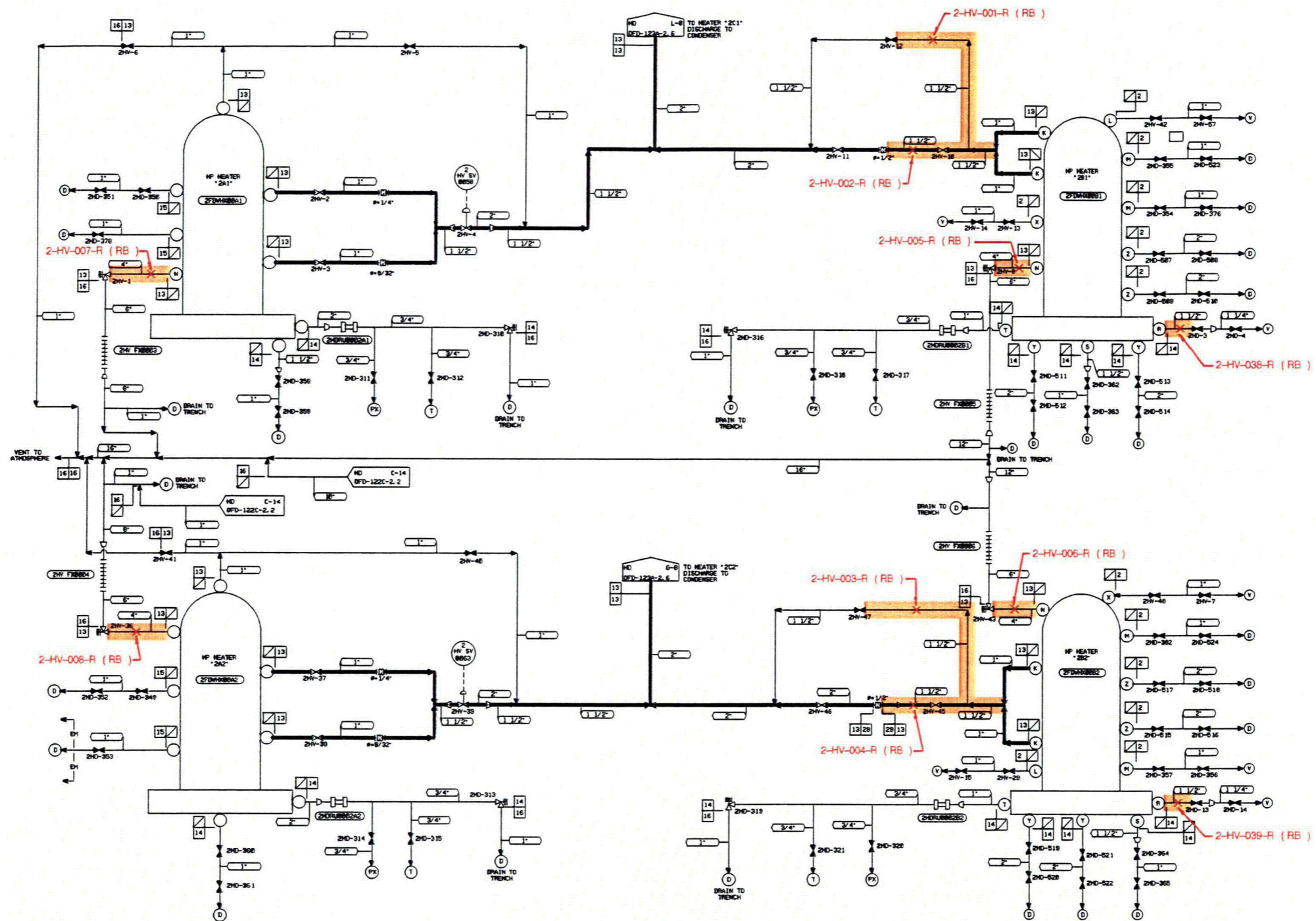
LEGEND

- High Energy Piping (Unit 1)
- High Energy Piping (Unit 2)
- High Energy Piping (Unit 3)
- X High Energy Line Break Location
- N-SYS-NNN (-N) Break Number
- TE Terminal End (Break)
- RB Running Break
- CR Critical Crack
- IB Intermediate Break
- ↑ Running Break Boundary

FIGURE 5.1-6
HEATER VENT SYSTEM
 High Energy Lines, Piping Configurations,
 Boundaries, Break Locations and Numbers
 (Sheet 1 of 3)

UNIT 2

THIS DIAGRAM IS FOR HIGH ENERGY LINE
 BREAK PURPOSES ONLY.
 REFERENCE FLOW DIAGRAM OFD-123A-2.2 FOR
 COMPLETE SYSTEM DESIGN INFORMATION.
HELB-123A-02-02

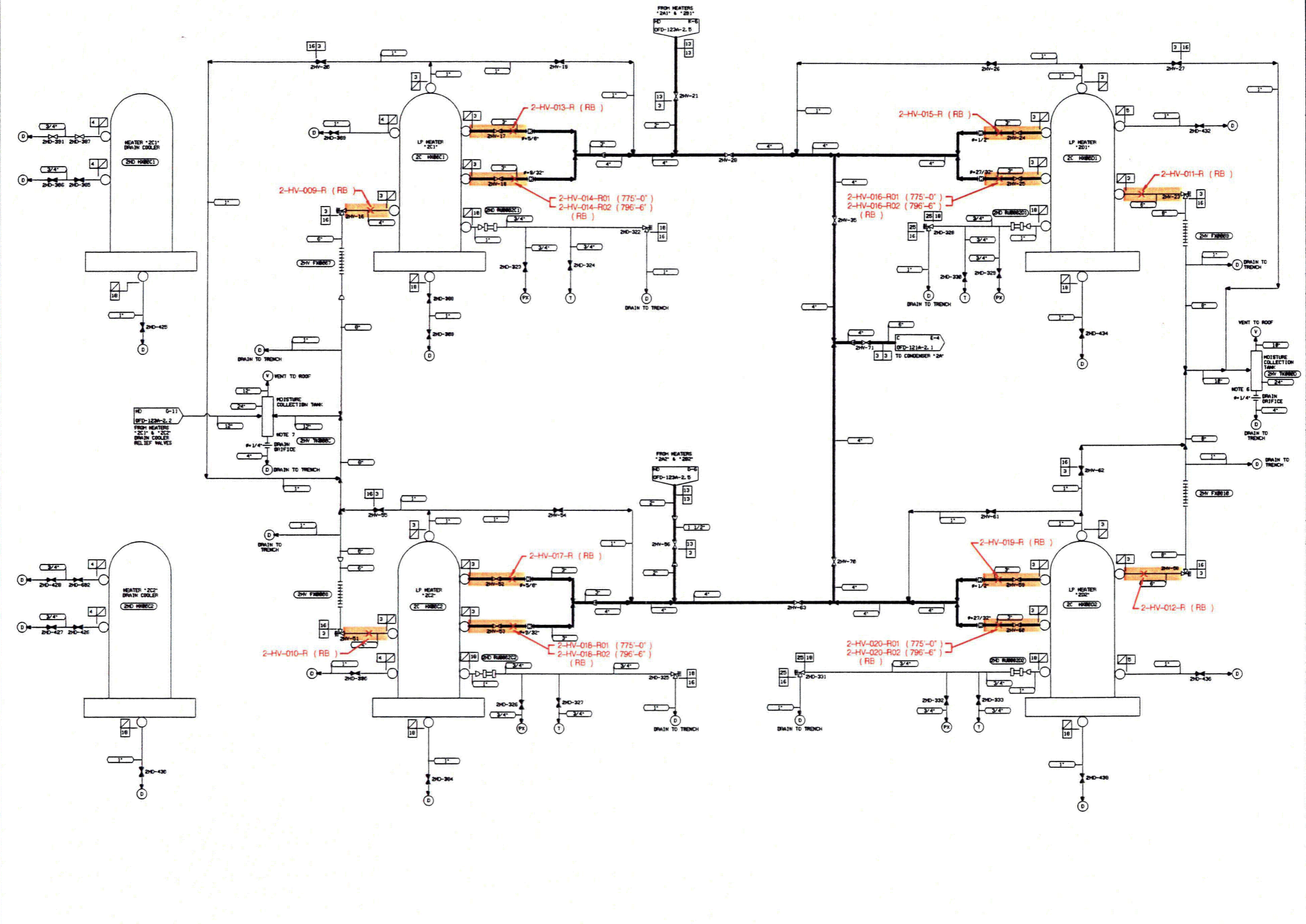


- LEGEND**
- - High Energy Piping (Unit 1)
 - - High Energy Piping (Unit 2)
 - - High Energy Piping (Unit 3)
 - X - High Energy Line Break Location
 - N-SYS-NNN (-N) - Break Number
 - TE - Terminal End (Break)
 - RB - Running Break
 - CR - Critical Crack
 - IB - Intermediate Break
 - ↑ - Running Break Boundary

FIGURE 5.1-6
HEATER VENT SYSTEM
 High Energy Lines, Piping Configurations,
 Boundaries, Break Locations and Numbers
 (Sheet 2 of 3)

UNIT 2

THIS DIAGRAM IS FOR HIGH ENERGY LINE
 BREAK PURPOSES ONLY.
 REFERENCE FLOW DIAGRAM OFD-123A-2.5 FOR
 COMPLETE SYSTEM DESIGN INFORMATION.
HELB-123A-02-05



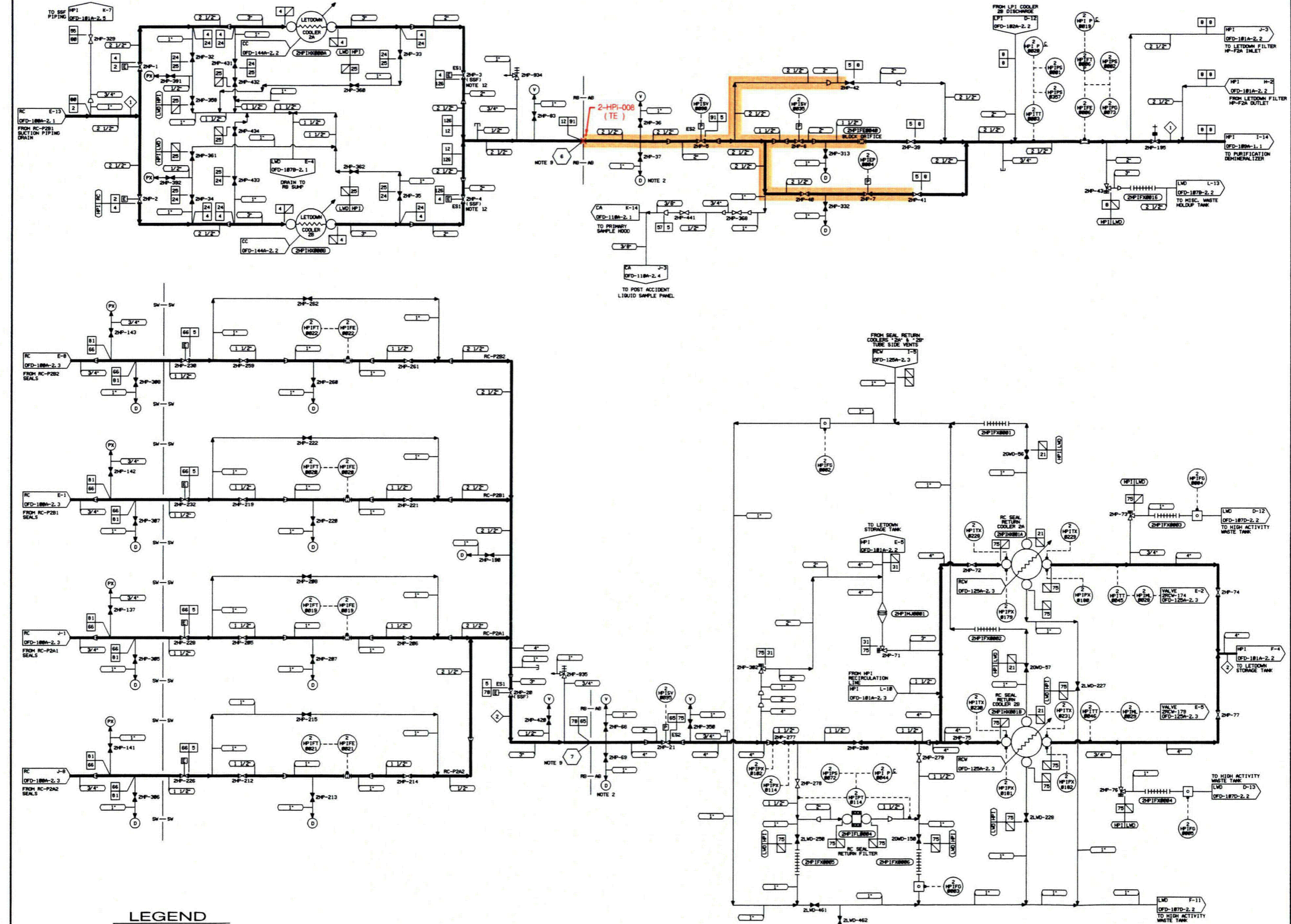
- LEGEND**
- - High Energy Piping (Unit 1)
 - - High Energy Piping (Unit 2)
 - - High Energy Piping (Unit 3)
 - X - High Energy Line Break Location
 - N-SYS-NNN (-N) - Break Number
 - TE - Terminal End (Break)
 - RB - Running Break
 - CR - Critical Crack
 - IB - Intermediate Break
 - ▶ - Running Break Boundary

FIGURE 5.1-6
HEATER VENT SYSTEM
 High Energy Lines, Piping Configurations,
 Boundaries, Break Locations and Numbers
 (Sheet 3 of 3)

UNIT 2

THIS DIAGRAM IS FOR HIGH ENERGY LINE
 BREAK PURPOSES ONLY.
 REFERENCE FLOW DIAGRAM OFD-123A-2.6 FOR
 COMPLETE SYSTEM DESIGN INFORMATION.

HELB-123A-02-06



LEGEND

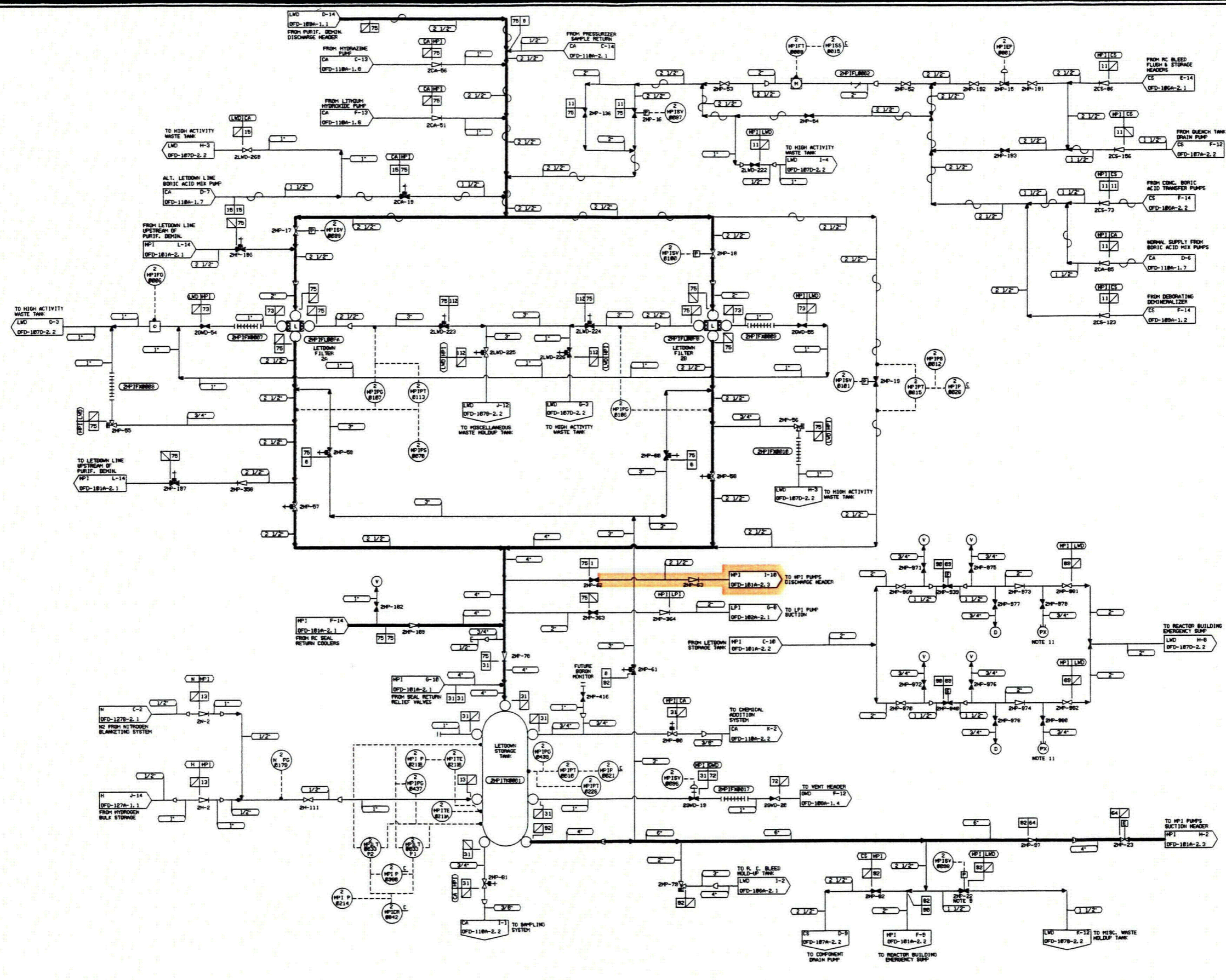
- - High Energy Piping (Unit 1)
- - High Energy Piping (Unit 2)
- - High Energy Piping (Unit 3)
- X - High Energy Line Break Location
- N-SYS-NNN (-N) - Break Number
- TE - Terminal End (Break)
- RB - Running Break
- CR - Critical Crack
- IB - Intermediate Break
- |— - Running Break Boundary

FIGURE 5.1-7
HIGH PRESSURE INJECTION SYSTEM
 High Energy Lines, Piping Configurations,
 Boundaries, Break Locations and Numbers
 (Sheet 1 of 4)

UNIT 2

THIS DIAGRAM IS FOR HIGH ENERGY LINE
 BREAK PURPOSES ONLY.
 REFERENCE FLOW DIAGRAM OFD-101A-2.1 FOR
 COMPLETE SYSTEM DESIGN INFORMATION.

HELB-101A-02-01



LEGEND

- High Energy Piping (Unit 1)
- High Energy Piping (Unit 2)
- High Energy Piping (Unit 3)
- X High Energy Line Break Location
- N-SYS-NNN (-N) Break Number
- TE Terminal End (Break)
- RB Running Break
- CR Critical Crack
- IE Intermediate Break
- ┆ Running Break Boundary

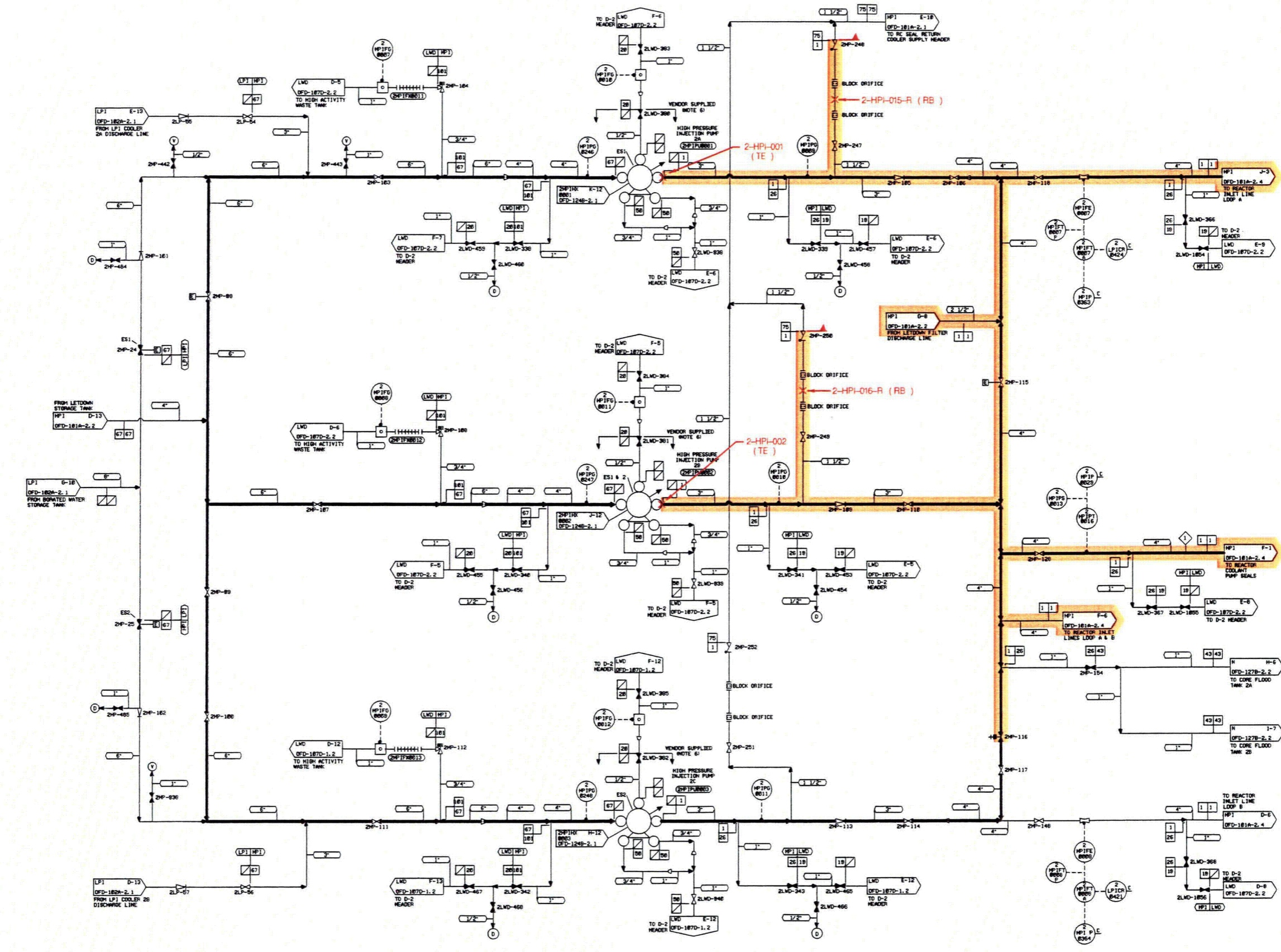
**FIGURE 5.1-7
HIGH PRESSURE INJECTION SYSTEM**

High Energy Lines, Piping Configurations,
Boundaries, Break Locations and Numbers
(Sheet 2 of 4)

UNIT 2

THIS DIAGRAM IS FOR HIGH ENERGY LINE
BREAK PURPOSES ONLY.
REFERENCE FLOW DIAGRAM OFD-101A-2.2 FOR
COMPLETE SYSTEM DESIGN INFORMATION.

HELB-101A-02-02



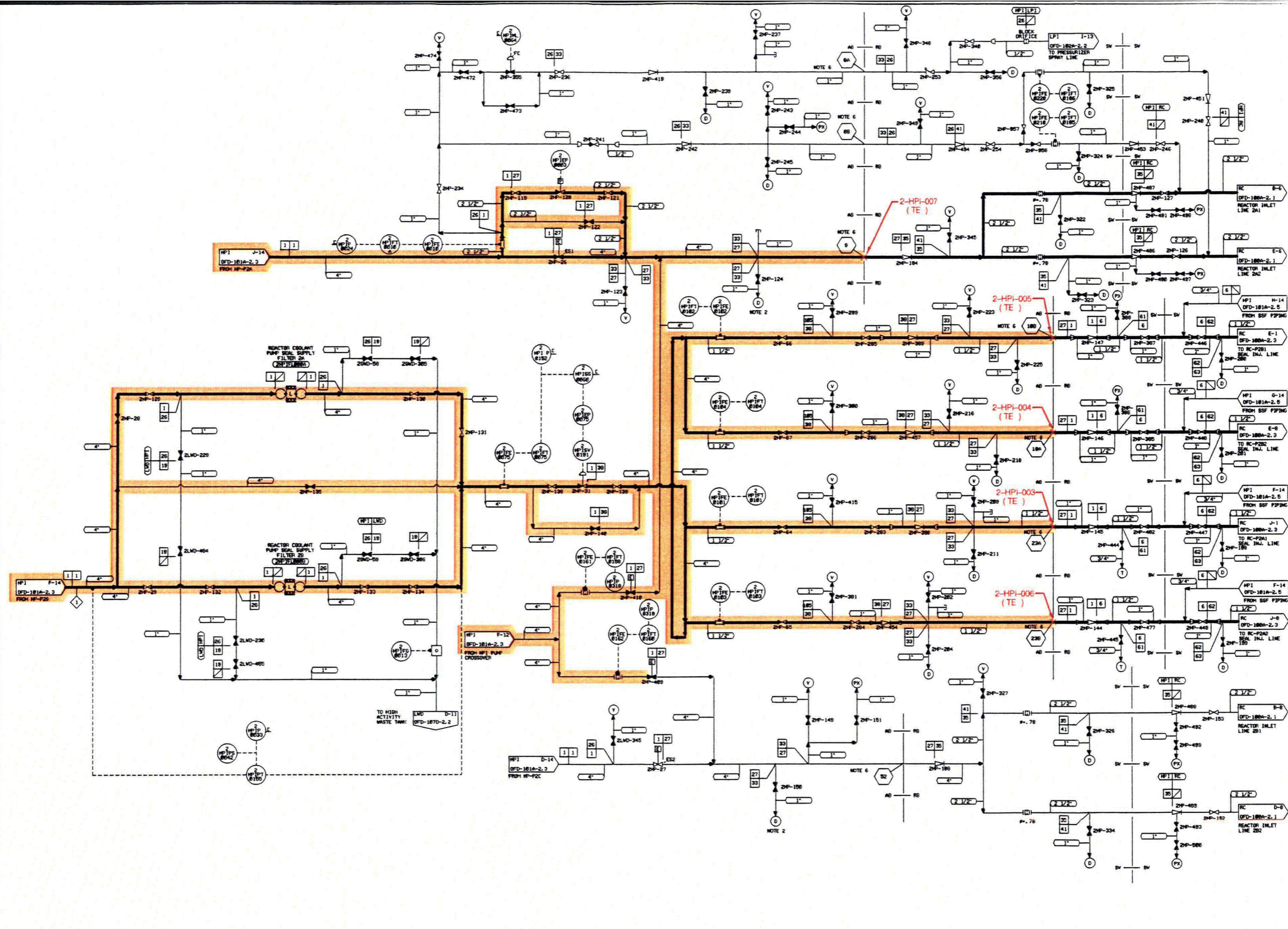
- LEGEND**
- - High Energy Piping (Unit 1)
 - - High Energy Piping (Unit 2)
 - - High Energy Piping (Unit 3)
 - X - High Energy Line Break Location
 - N-SYS-NNN (-N) - Break Number
 - TE - Terminal End (Break)
 - RB - Running Break
 - CR - Critical Crack
 - IB - Intermediate Break
 - ↑ - Running Break Boundary

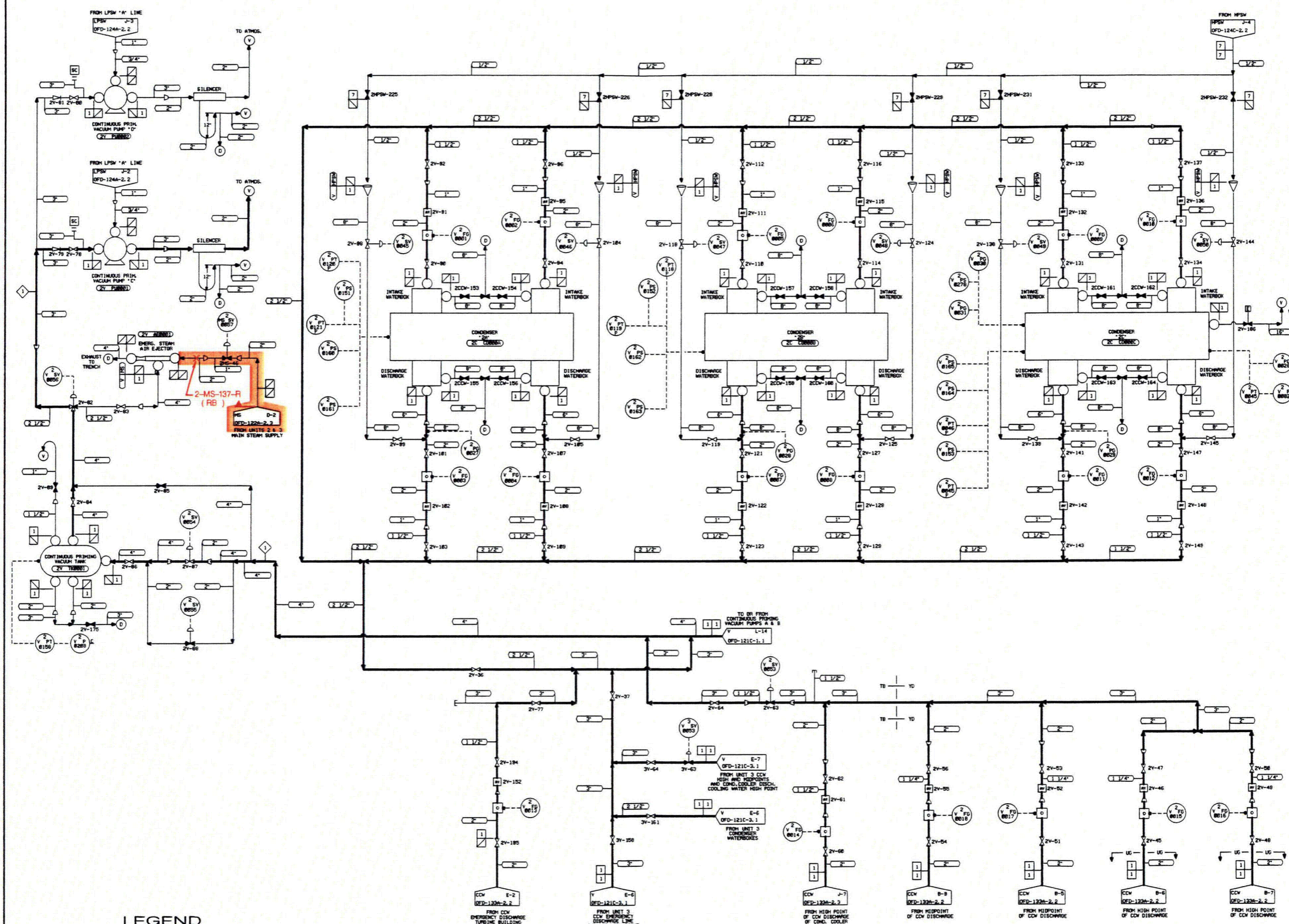
FIGURE 5.1-7
HIGH PRESSURE INJECTION SYSTEM
 High Energy Lines, Piping Configurations,
 Boundaries, Break Locations and Numbers
 (Sheet 3 of 4)

UNIT 2

THIS DIAGRAM IS FOR HIGH ENERGY LINE
 BREAK PURPOSES ONLY.
 REFERENCE FLOW DIAGRAM OFD-101A-2.3 FOR
 COMPLETE SYSTEM DESIGN INFORMATION.

HELB-101A-02-03





LEGEND

- - High Energy Piping (Unit 1)
- - High Energy Piping (Unit 2)
- - High Energy Piping (Unit 3)
- X - High Energy Line Break Location
- N-SYS-NNN (-N) - Break Number
- TE - Terminal End (Break)
- RB - Running Break
- CR - Critical Crack
- IB - Intermediate Break
- ↑ - Running Break Boundary

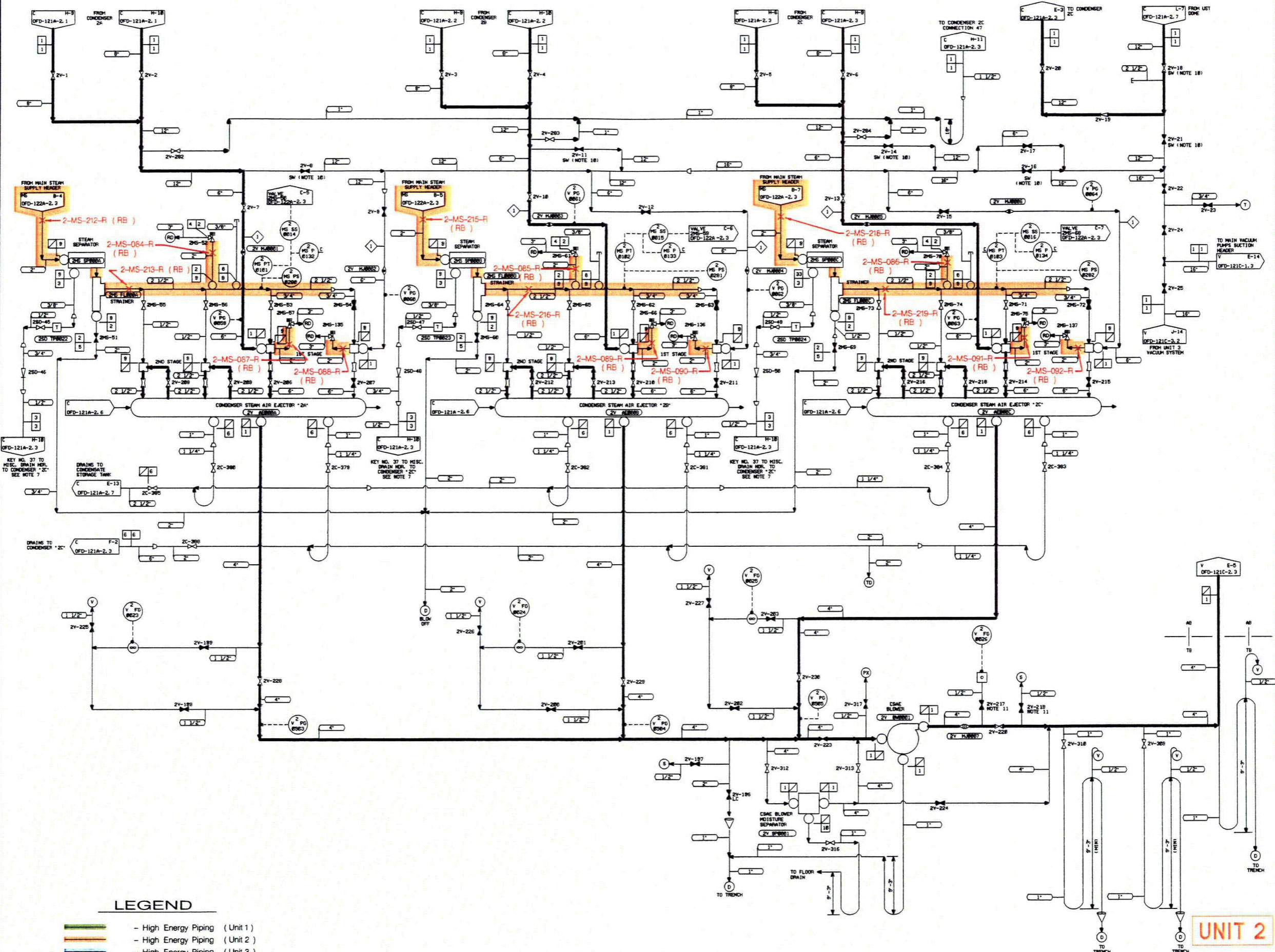
**FIGURE 5.1-8
MAIN STEAM SYSTEM**

High Energy Lines, Piping Configurations,
Boundaries, Break Locations and Numbers
(Sheet 1 of 11)

UNIT 2

THIS DIAGRAM IS FOR HIGH ENERGY LINE
BREAK PURPOSES ONLY.
REFERENCE FLOW DIAGRAM OFD-121C-2.1 FOR
COMPLETE SYSTEM DESIGN INFORMATION.

HELB-121C-02-01



LEGEND

- - High Energy Piping (Unit 1)
- - High Energy Piping (Unit 2)
- - High Energy Piping (Unit 3)
- X - High Energy Line Break Location
- N-SYS-NNN (-N) - Break Number
- TE - Terminal End (Break)
- RB - Running Break
- CR - Critical Crack
- IB - Intermediate Break
- ↑ - Running Break Boundary

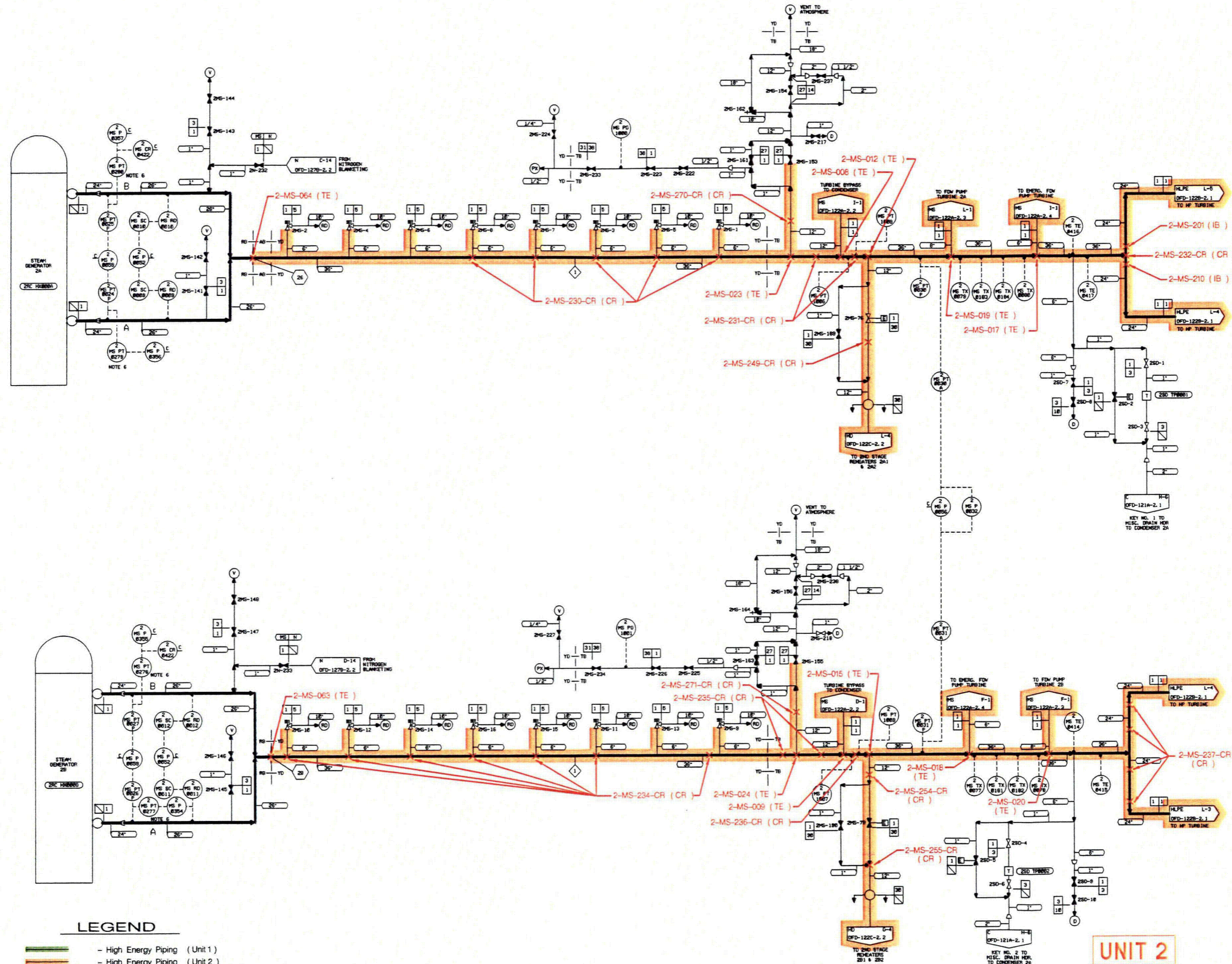
**FIGURE 5.1-8
MAIN STEAM SYSTEM**

High Energy Lines, Piping Configurations,
Boundaries, Break Locations and Numbers
(Sheet 2 of 11)

UNIT 2

THIS DIAGRAM IS FOR HIGH ENERGY LINE
BREAK PURPOSES ONLY.
REFERENCE FLOW DIAGRAM OFD-121C-2.2 FOR
COMPLETE SYSTEM DESIGN INFORMATION.

HELB-121C-02-02



LEGEND

- - High Energy Piping (Unit 1)
- - High Energy Piping (Unit 2)
- - High Energy Piping (Unit 3)
- X - High Energy Line Break Location
- N-SYS-NNN (-N) - Break Number
- TE - Terminal End (Break)
- RB - Running Break
- CR - Critical Crack
- IB - Intermediate Break
- ↑ - Running Break Boundary

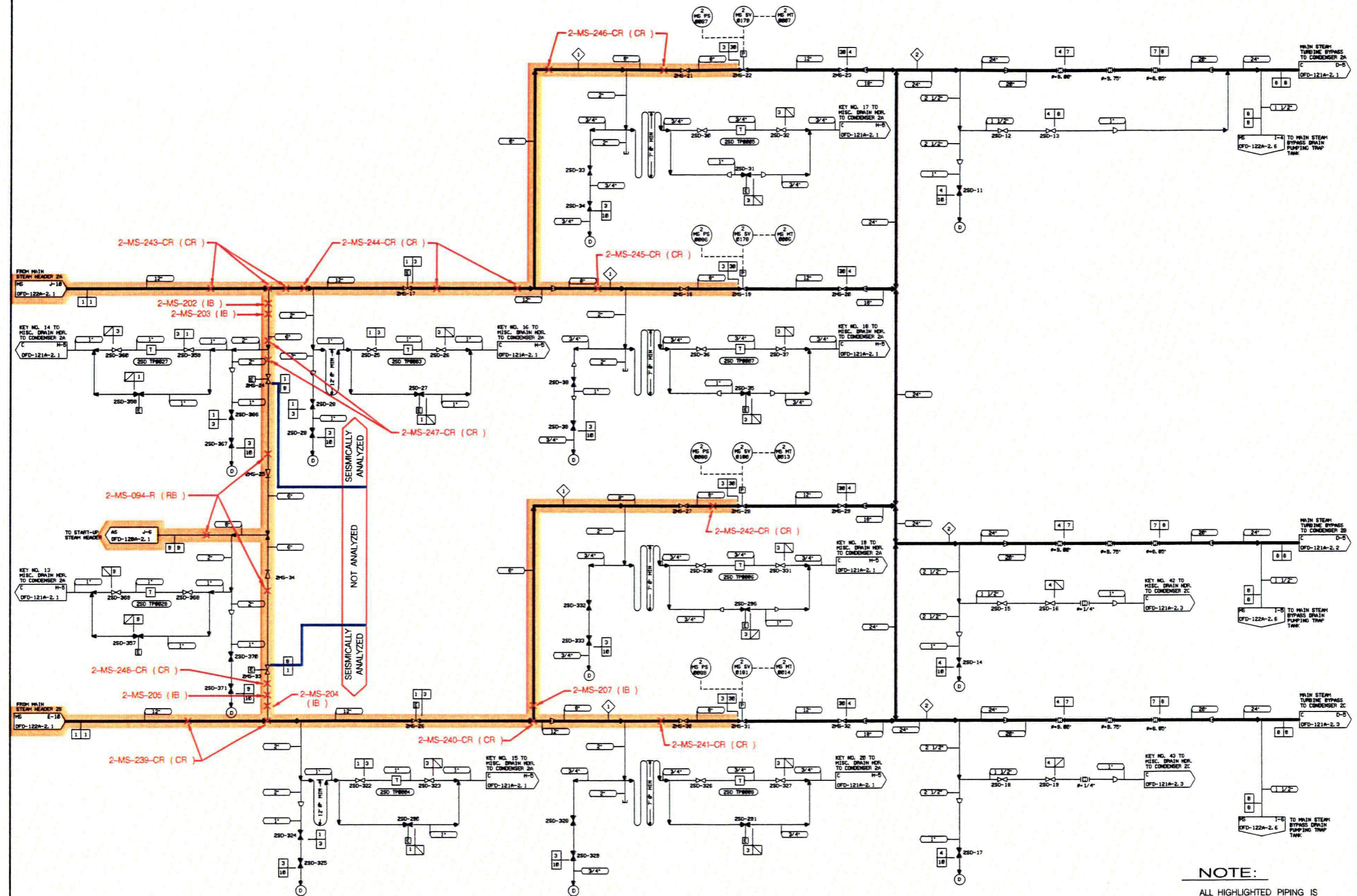
FIGURE 5.1-8

MAIN STEAM SYSTEM

High Energy Lines, Piping Configurations, Boundaries, Break Locations and Numbers (Sheet 3 of 11)

THIS DIAGRAM IS FOR HIGH ENERGY LINE BREAK PURPOSES ONLY. REFERENCE FLOW DIAGRAM OFD-122A-2.1 FOR COMPLETE SYSTEM DESIGN INFORMATION.

HELB-122A-02-01



LEGEND

- - High Energy Piping (Unit 1)
- - High Energy Piping (Unit 2)
- - High Energy Piping (Unit 3)
- X - High Energy Line Break Location
- N-SYS-NNN (-N) - Break Number
- TE - Terminal End (Break)
- RB - Running Break
- CR - Critical Crack
- IB - Intermediate Break
- ↑ - Running Break Boundary

SEISMICALLY ANALYZED

NOT ANALYZED

SEISMICALLY ANALYZED

NOTE:
ALL HIGHLIGHTED PIPING IS ANALYZED EXCEPT AS NOTED.

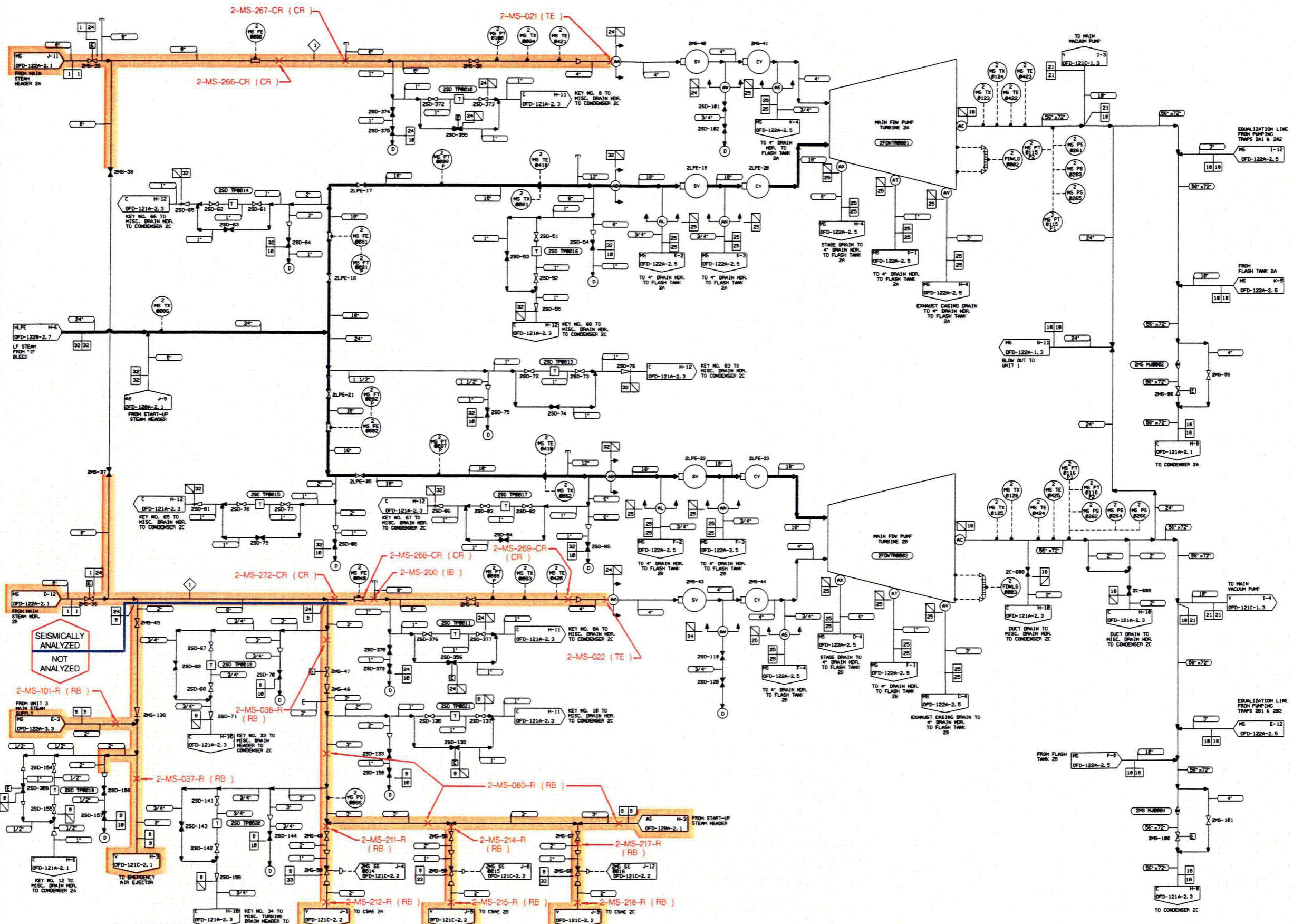
UNIT 2

**FIGURE 5.1-8
MAIN STEAM SYSTEM**

High Energy Lines, Piping Configurations,
Boundaries, Break Locations and Numbers
(Sheet 4 of 11)

THIS DIAGRAM IS FOR HIGH ENERGY LINE BREAK PURPOSES ONLY.
REFERENCE FLOW DIAGRAM OFD-122A-2.2 FOR COMPLETE SYSTEM DESIGN INFORMATION.

HELB-122A-02-02



SEISMICALLY ANALYZED
NOT ANALYZED

LEGEND

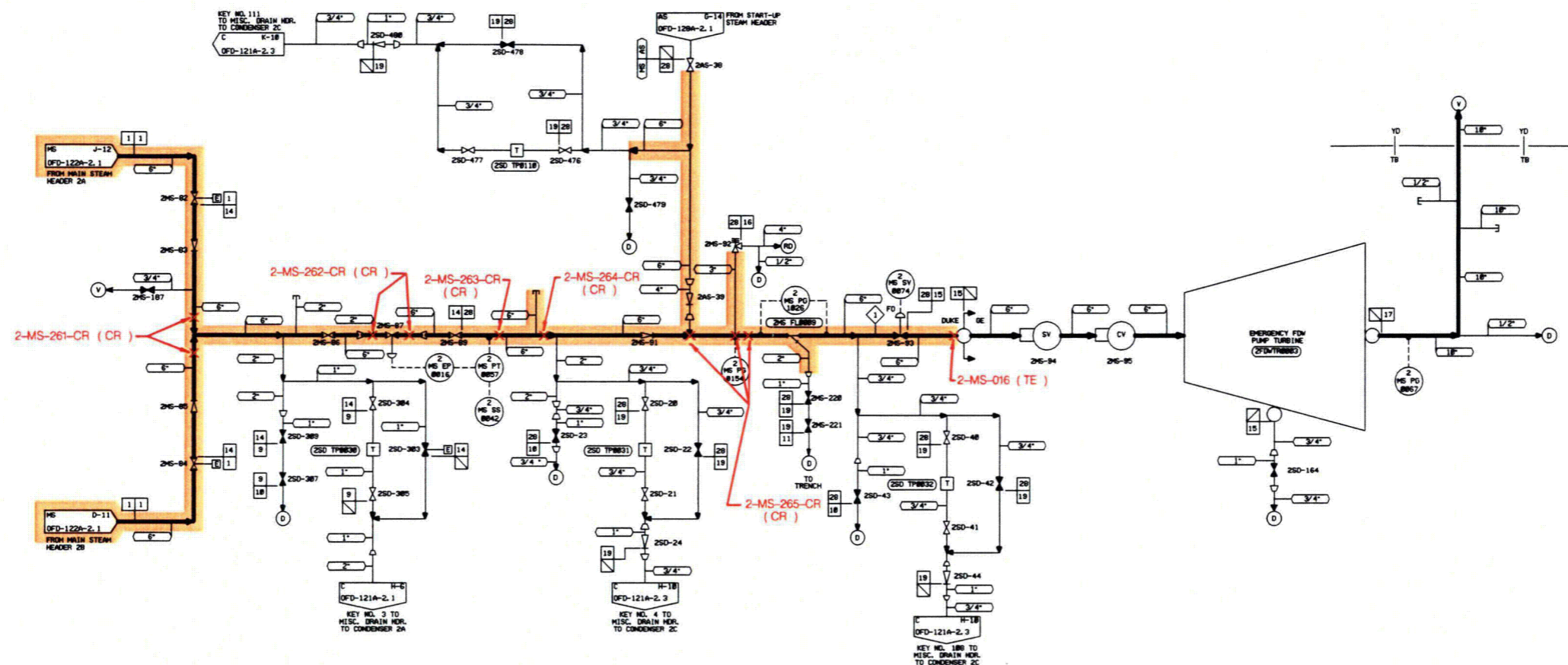
- - High Energy Piping (Unit 1)
- - High Energy Piping (Unit 2)
- - High Energy Piping (Unit 3)
- X - High Energy Line Break Location
- N-SYS-NNN (-N) - Break Number
- TE - Terminal End (Break)
- RB - Running Break
- CR - Critical Crack
- IB - Intermediate Break
- ↑ - Running Break Boundary

NOTE:
ALL HIGHLIGHTED PIPING IS ANALYZED EXCEPT AS NOTED.

UNIT 2

FIGURE 5.1-8
MAIN STEAM SYSTEM
High Energy Lines, Piping Configurations, Boundaries, Break Locations and Numbers
(Sheet 5 of 11)

THIS DIAGRAM IS FOR HIGH ENERGY LINE BREAK PURPOSES ONLY.
REFERENCE FLOW DIAGRAM OFD-122A-2.3 FOR COMPLETE SYSTEM DESIGN INFORMATION.



LEGEND

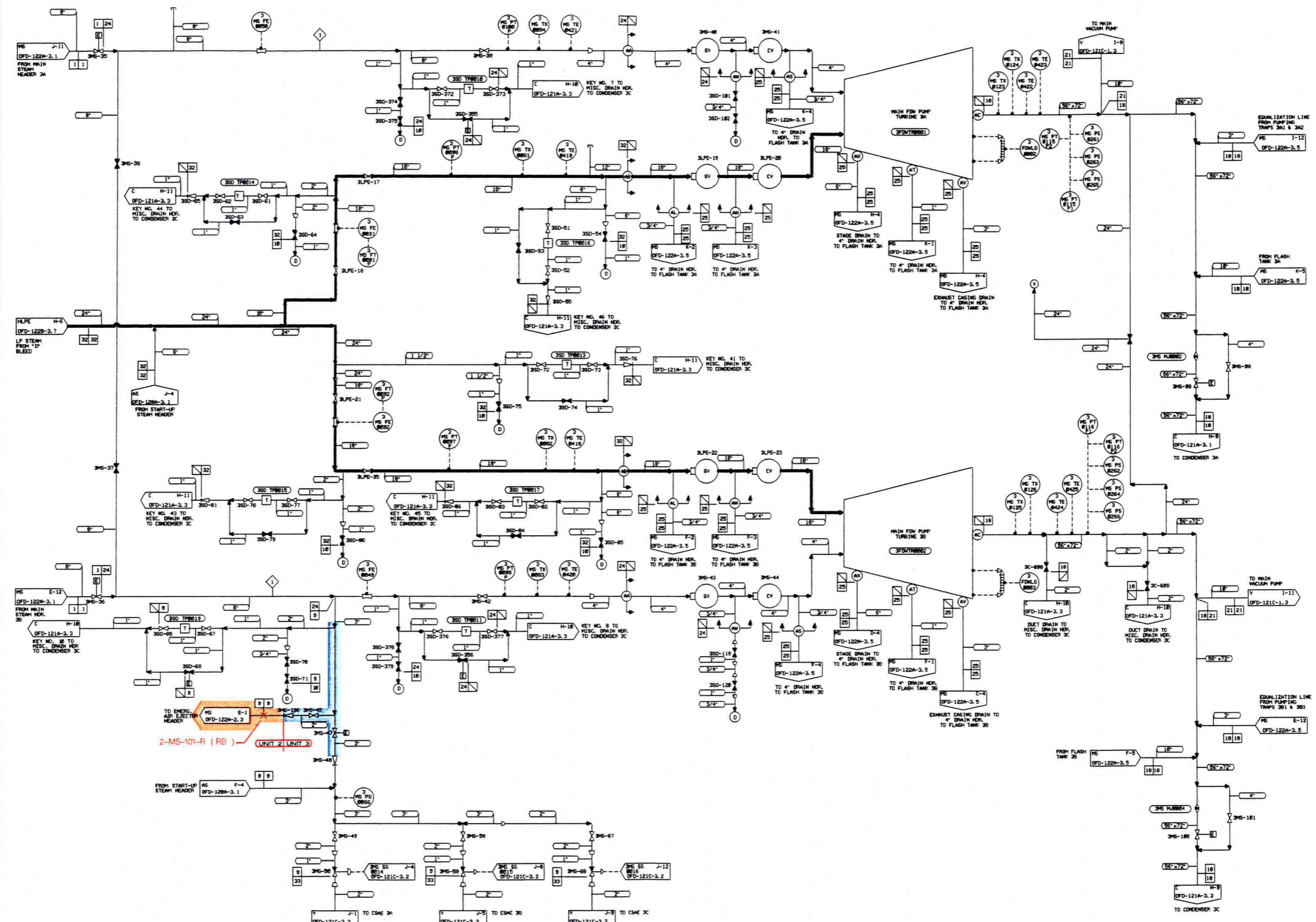
- - High Energy Piping (Unit 1)
- - High Energy Piping (Unit 2)
- - High Energy Piping (Unit 3)
- X - High Energy Line Break Location
- N-SYS-NNNN (-N) - Break Number
- TE - Terminal End (Break)
- RB - Running Break
- CR - Critical Crack
- IB - Intermediate Break
- ┆ - Running Break Boundary

FIGURE 5.1-8
MAIN STEAM SYSTEM
 High Energy Lines, Piping Configurations,
 Boundaries, Break Locations and Numbers
 (Sheet 6 of 11)

UNIT 2

THIS DIAGRAM IS FOR HIGH ENERGY LINE
 BREAK PURPOSES ONLY.
 REFERENCE FLOW DIAGRAM OFD-122A-2.4 FOR
 COMPLETE SYSTEM DESIGN INFORMATION.

HELB-122A-02-04



LEGEND

- - High Energy Piping (Unit 1)
- - High Energy Piping (Unit 2)
- - High Energy Piping (Unit 3)
- X - High Energy Line Break Location
- N-SYS-NNN (-N) - Break Number
- TE - Terminal End (Break)
- RB - Running Break
- CR - Critical Crack
- IB - Intermediate Break
- ↑ - Running Break Boundary

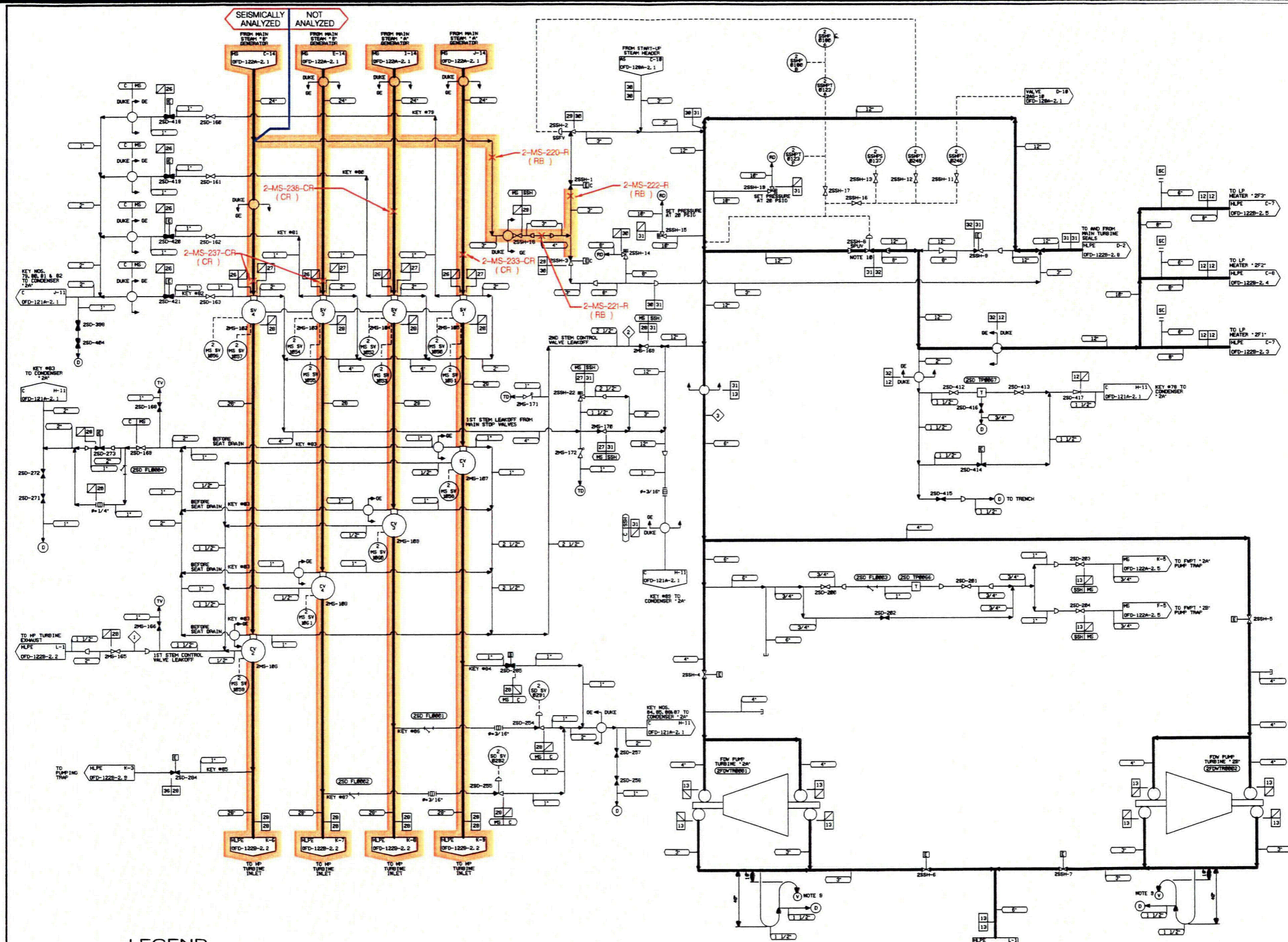
**FIGURE 5.1-8
MAIN STEAM SYSTEM**

High Energy Lines, Piping Configurations,
Boundaries, Break Locations and Numbers
(Sheet 7 of 11)

UNIT 2

THIS DIAGRAM IS FOR HIGH ENERGY LINE
BREAK PURPOSES ONLY.
REFERENCE FLOW DIAGRAM OFD-122A-3.3 FOR
COMPLETE SYSTEM DESIGN INFORMATION.

HELB-122A-03-03



LEGEND

- - High Energy Piping (Unit 1)
- - High Energy Piping (Unit 2)
- - High Energy Piping (Unit 3)
- X - High Energy Line Break Location
- N-SYS-NNN (-N) - Break Number
- TE - Terminal End (Break)
- RB - Running Break
- CR - Critical Crack
- IB - Intermediate Break
- ↑ - Running Break Boundary

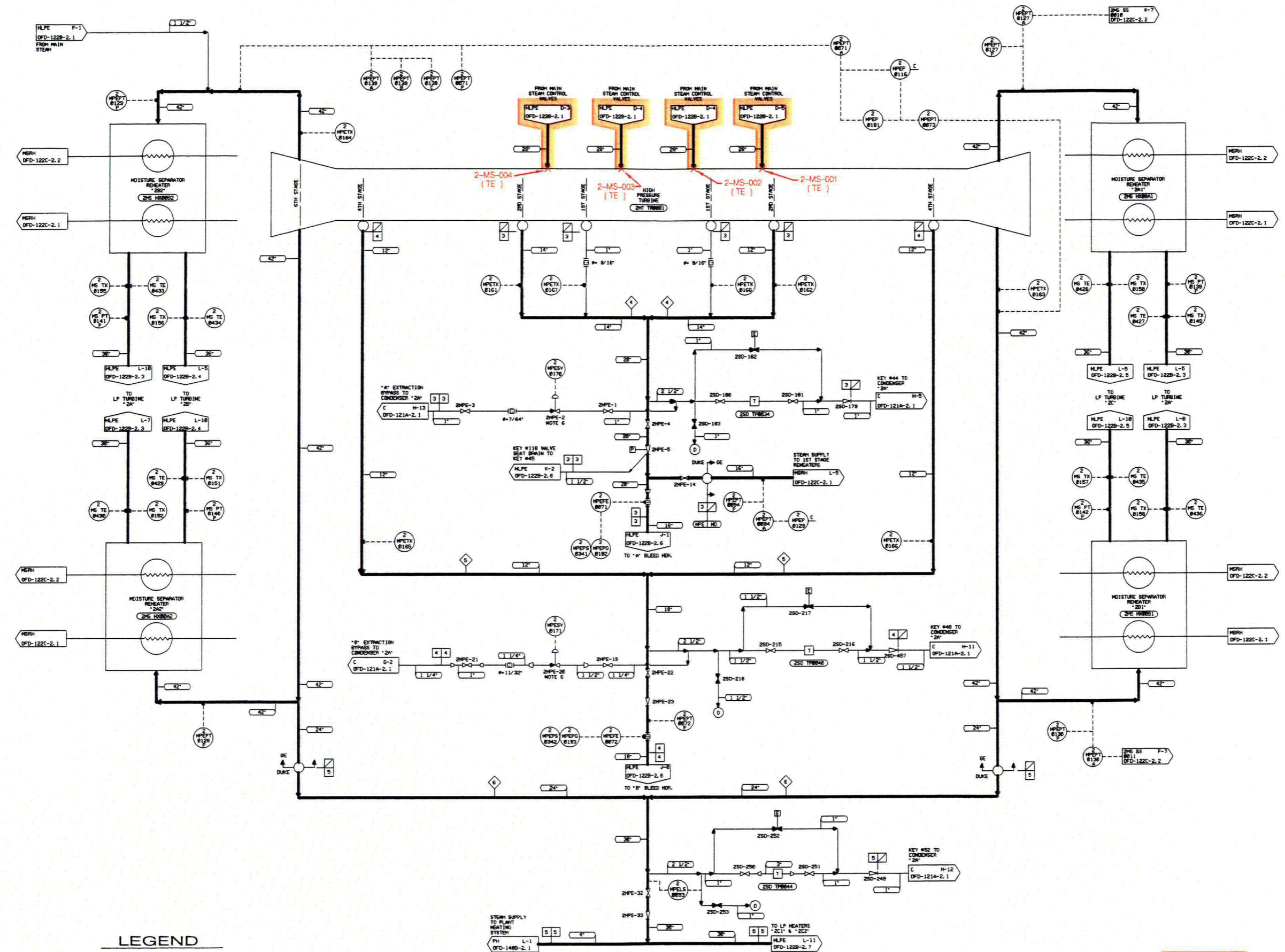
FIGURE 5.1-8
MAIN STEAM SYSTEM

High Energy Lines, Piping Configurations,
Boundaries, Break Locations and Numbers
(Sheet 8 of 11)

NOTE:
ALL HIGHLIGHTED PIPING IS
ANALYZED EXCEPT AS NOTED.

THIS DIAGRAM IS FOR HIGH ENERGY LINE
BREAK PURPOSES ONLY.
REFERENCE FLOW DIAGRAM OFD-122B-2.1 FOR
COMPLETE SYSTEM DESIGN INFORMATION.

UNIT 2



LEGEND

- - High Energy Piping (Unit 1)
- - High Energy Piping (Unit 2)
- - High Energy Piping (Unit 3)
- X - High Energy Line Break Location
- N-SYS-NNN (-N) - Break Number
- TE - Terminal End (Break)
- RB - Running Break
- CR - Critical Crack
- IB - Intermediate Break
- ↑ - Running Break Boundary

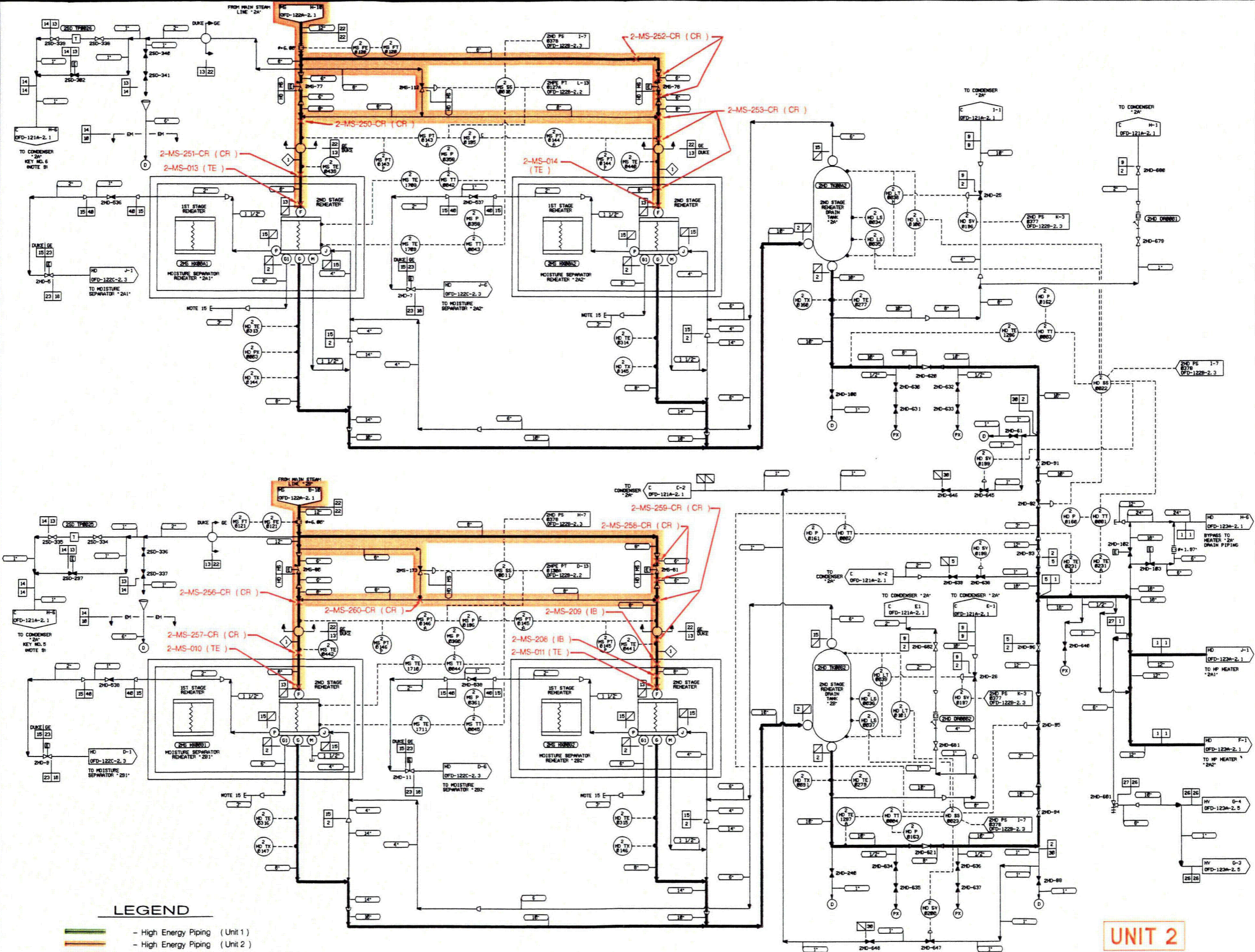
**FIGURE 5.1-8
MAIN STEAM SYSTEM**

High Energy Lines, Piping Configurations,
Boundaries, Break Locations and Numbers
(Sheet 9 of 11)

UNIT 2

THIS DIAGRAM IS FOR HIGH ENERGY LINE
BREAK PURPOSES ONLY.
REFERENCE FLOW DIAGRAM OFD-122B-2.2 FOR
COMPLETE SYSTEM DESIGN INFORMATION.

HELB-122B-02-02



LEGEND

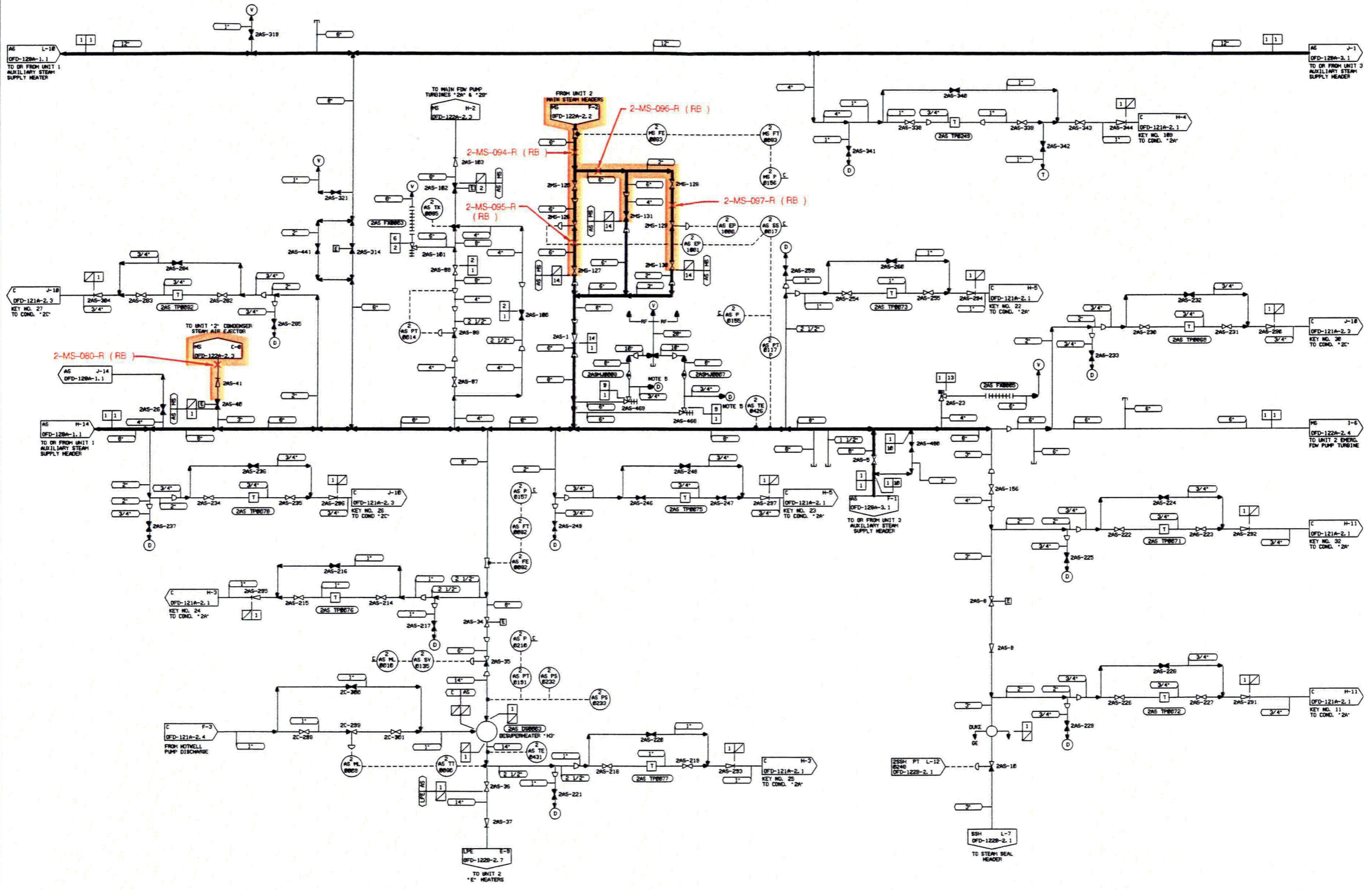
- High Energy Piping (Unit 1)
- High Energy Piping (Unit 2)
- High Energy Piping (Unit 3)
- X High Energy Line Break Location
- N-SYS-NNN (-N) Break Number
- TE Terminal End (Break)
- RB Running Break
- CR Critical Crack
- IB Intermediate Break
- ↑ Running Break Boundary

**FIGURE 5.1-8
MAIN STEAM SYSTEM**

High Energy Lines, Piping Configurations,
Boundaries, Break Locations and Numbers
(Sheet 10 of 11)

THIS DIAGRAM IS FOR HIGH ENERGY LINE
BREAK PURPOSES ONLY.
REFERENCE FLOW DIAGRAM OFD-122C-2.2 FOR
COMPLETE SYSTEM DESIGN INFORMATION.

HEL B-122C-02-02



- LEGEND**
- - High Energy Piping (Unit 1)
 - - High Energy Piping (Unit 2)
 - - High Energy Piping (Unit 3)
 - X - High Energy Line Break Location
 - N-SYS-NNN (-N) - Break Number
 - TE - Terminal End (Break)
 - RB - Running Break
 - CR - Critical Crack
 - IB - Intermediate Break
 - ↑ - Running Break Boundary

FIGURE 5.1-8
MAIN STEAM SYSTEM
 High Energy Lines, Piping Configurations,
 Boundaries, Break Locations and Numbers
 (Sheet 11 of 11)

UNIT 2

THIS DIAGRAM IS FOR HIGH ENERGY LINE
 BREAK PURPOSES ONLY.
 REFERENCE FLOW DIAGRAM OFD-128A-2.1 FOR
 COMPLETE SYSTEM DESIGN INFORMATION.

HELB-128A-02-01