

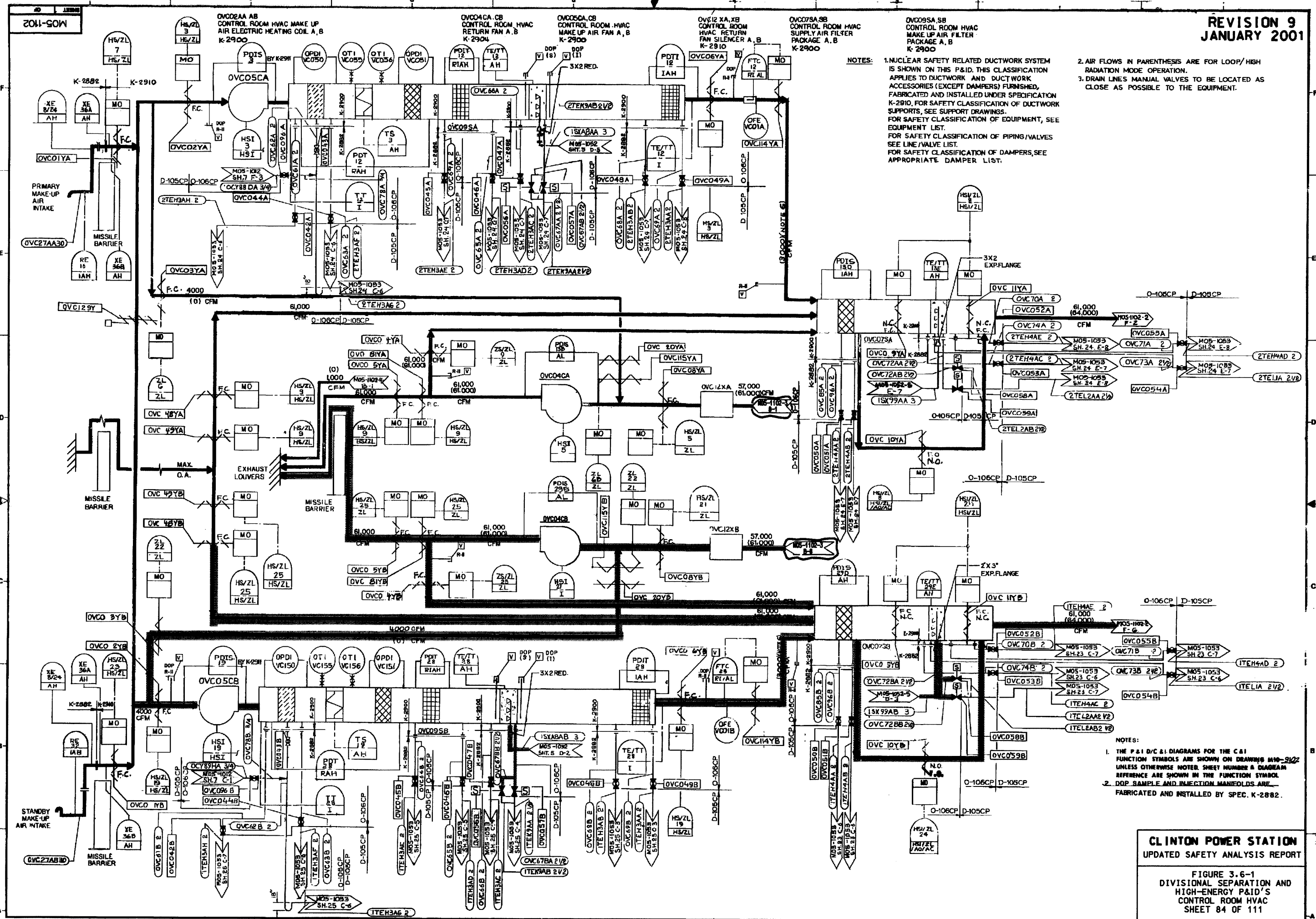
NOTE:
 1. FOR PLUG VALVE OPERATOR ASSEMBLY DETAIL SEE MOS-1088 SHEET 1.
 2. PER NCMR NO. I-1988, VALVE BODY FOR OWX103B WAS REMOVED FROM THE PIPE, WHILE ITS ACTUATOR WAS LEFT IN PLACE.

AUGMENTED "D" PIPING (PIPE GLASS "T") AND COMPONENTS ARE CONTAINED ON THIS DRAWING. SEE THE VALVE, LINE, EQUIPMENT AND SPECIALTY LISTS FOR PROPER CLASSIFICATION. ALSO SEE SPEC. K-2858, PAR. 201.74.

NOTE:
 THE P&ID AND B&E DIAGRAMS FOR THE C&I FUNCTION SYMBOLS ARE SHOWN ON DRAWING MOS-1089 UNLESS OTHERWISE NOTED. SHEET NUMBER & DIAGRAM REFERENCE ARE SHOWN IN THE FUNCTION SYMBOLS.

**CLINTON POWER STATION
 UPDATED SAFETY ANALYSIS REPORT**

**FIGURE 3.6-1
 DIVISIONAL SEPARATION AND
 HIGH-ENERGY P&ID'S-
 RADWASTE SLUDGE PROCESS
 CONCENTRATE TANK
 SHEET 83 OF 111**



NOTES:
 1. NUCLEAR SAFETY RELATED DUCTWORK SYSTEM IS SHOWN ON THIS P&ID. THIS CLASSIFICATION APPLIES TO DUCTWORK AND DUCTWORK ACCESSORIES (EXCEPT DAMPERS) FURNISHED, FABRICATED AND INSTALLED UNDER SPECIFICATION K-2910. FOR SAFETY CLASSIFICATION OF DUCTWORK SUPPORTS, SEE SUPPORT DRAWINGS. FOR SAFETY CLASSIFICATION OF EQUIPMENT, SEE EQUIPMENT LIST. FOR SAFETY CLASSIFICATION OF PIPING/VALVES SEE LINE/VALVE LIST. FOR SAFETY CLASSIFICATION OF DAMPERS, SEE APPROPRIATE DAMPER LIST.
 2. AIR FLOWS IN PARENTHESIS ARE FOR LOOP/HIGH RADIATION MODE OPERATION.
 3. DRAIN LINES MANUAL VALVES TO BE LOCATED AS CLOSE AS POSSIBLE TO THE EQUIPMENT.

NOTES:
 1. THE P&ID/C&I DIAGRAMS FOR THE C&I FUNCTION SYMBOLS ARE SHOWN ON DRAWINGS M10-2102 UNLESS OTHERWISE NOTED SHEET NUMBER & DIAGRAM REFERENCE ARE SHOWN IN THE FUNCTION SYMBOL.
 2. DOP SAMPLE AND INJECTION MANIFOLDS ARE FABRICATED AND INSTALLED BY SPEC. K-2882.

CLINTON POWER STATION
 UPDATED SAFETY ANALYSIS REPORT

FIGURE 3.6-1
 DIVISIONAL SEPARATION AND
 HIGH-ENERGY P&ID'S
 CONTROL ROOM HVAC
 SHEET 84 OF 111

OVC03CA,CB
CONTROL ROOM HVAC
SUPPLY FAN A, B
K-2904

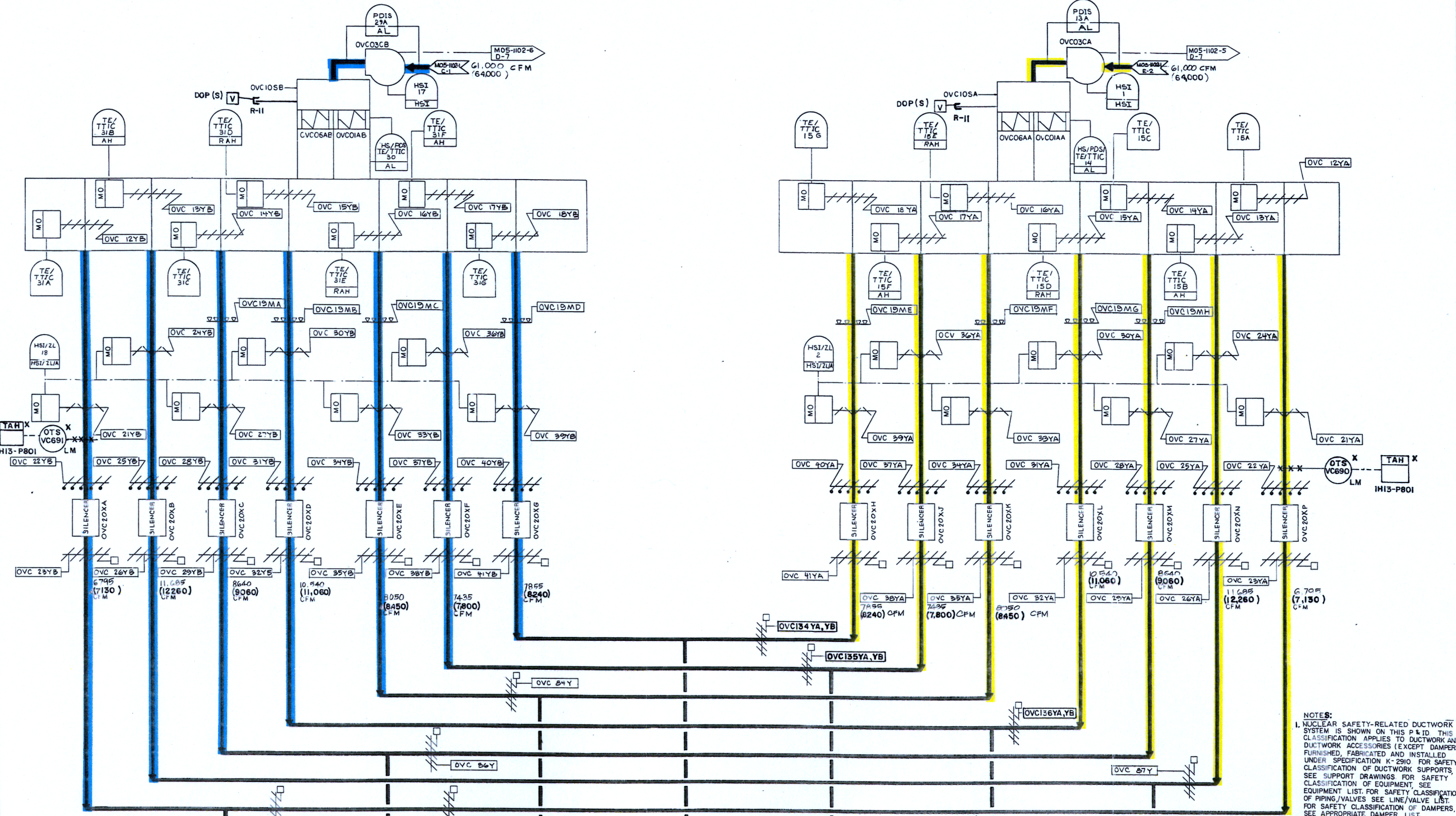
OVC01AA, AB
CONTROL ROOM HVAC
ELECTRIC HEATING COIL A, B
K-2902

OVC06AA, AB
CONTROL ROOM HVAC
COOLING COIL A, B
K-2902

OVC10SA, SB
CONTROL ROOM HVAC
AIR HANDLING UNIT A, B
K-2902

OVC19MA, MB, MC, MD, ME, MF, MG & MH
CONTROL ROOM SYSTEM HVAC
HUMIDIFIERS
K-2910

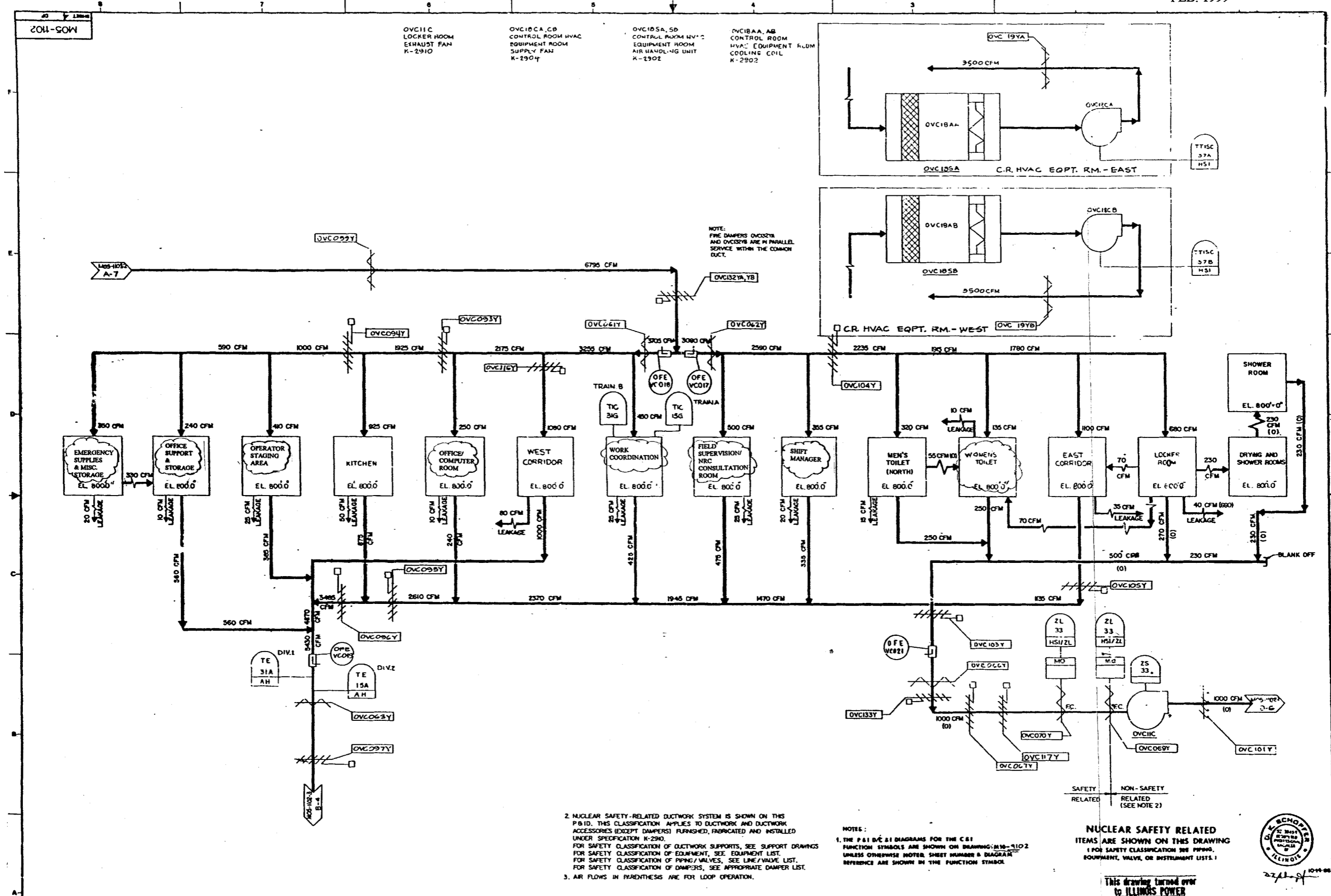
OVC20XA, XB, XC, XD, XE, XF, XG, XH, XI, XJ, XK,
XL, XM, XN & XP
CONTROL ROOM SILENCERS
K-2910



NOTE
THE P&ID/C&I DIAGRAMS FOR THE C&I
FUNCTION SYMBOLS ARE SHOWN ON DRAWING M10-2102.
UNLESS OTHERWISE NOTED, SHEET NUMBER & DIAGRAM
REFERENCE ARE SHOWN IN THE FUNCTION SYMBOL.

- NOTES:
1. NUCLEAR SAFETY-RELATED DUCTWORK SYSTEM IS SHOWN ON THIS P&ID. THIS CLASSIFICATION APPLIES TO DUCTWORK AND DUCTWORK ACCESSORIES (EXCEPT DAMPERS) FURNISHED, FABRICATED AND INSTALLED UNDER SPECIFICATION K-2910 FOR SAFETY CLASSIFICATION OF DUCTWORK SUPPORTS, SEE SUPPORT DRAWINGS FOR SAFETY CLASSIFICATION OF EQUIPMENT, SEE EQUIPMENT LIST FOR SAFETY CLASSIFICATION OF PIPING/VALVES. SEE LINE/VALVE LIST FOR SAFETY CLASSIFICATION OF DAMPERS, SEE APPROPRIATE DAMPER LIST.
 2. AIR FLOWS IN PARENTHESIS ARE FOR LOOP/HIGH RADIATION MODE OPERATION.

NUCLEAR SAFETY RELATED
ITEMS ARE SHOWN ON THIS DRAWING
(FOR SAFETY CLASSIFICATION SEE PIPING,
EQUIPMENT, VALVE, OR INSTRUMENT LISTS.)



NOTE:
FIRE DAMPERS OVC037A
AND OVC037B ARE IN PARALLEL
SERVICE WITHIN THE COMMON
DUCT.

2. NUCLEAR SAFETY-RELATED DUCTWORK SYSTEM IS SHOWN ON THIS P&ID. THIS CLASSIFICATION APPLIES TO DUCTWORK AND DUCTWORK ACCESSORIES (EXCEPT DAMPERS) FURNISHED, FABRICATED AND INSTALLED UNDER SPECIFICATION K-2910.
FOR SAFETY CLASSIFICATION OF DUCTWORK SUPPORTS, SEE SUPPORT DRAWINGS.
FOR SAFETY CLASSIFICATION OF EQUIPMENT, SEE EQUIPMENT LIST.
FOR SAFETY CLASSIFICATION OF PIPING/VALVES, SEE LINE/VALVE LIST.
FOR SAFETY CLASSIFICATION OF DAMPERS, SEE APPROPRIATE DAMPER LIST.
3. AIR FLOWS IN PARENTHESES ARE FOR LOOP OPERATION.

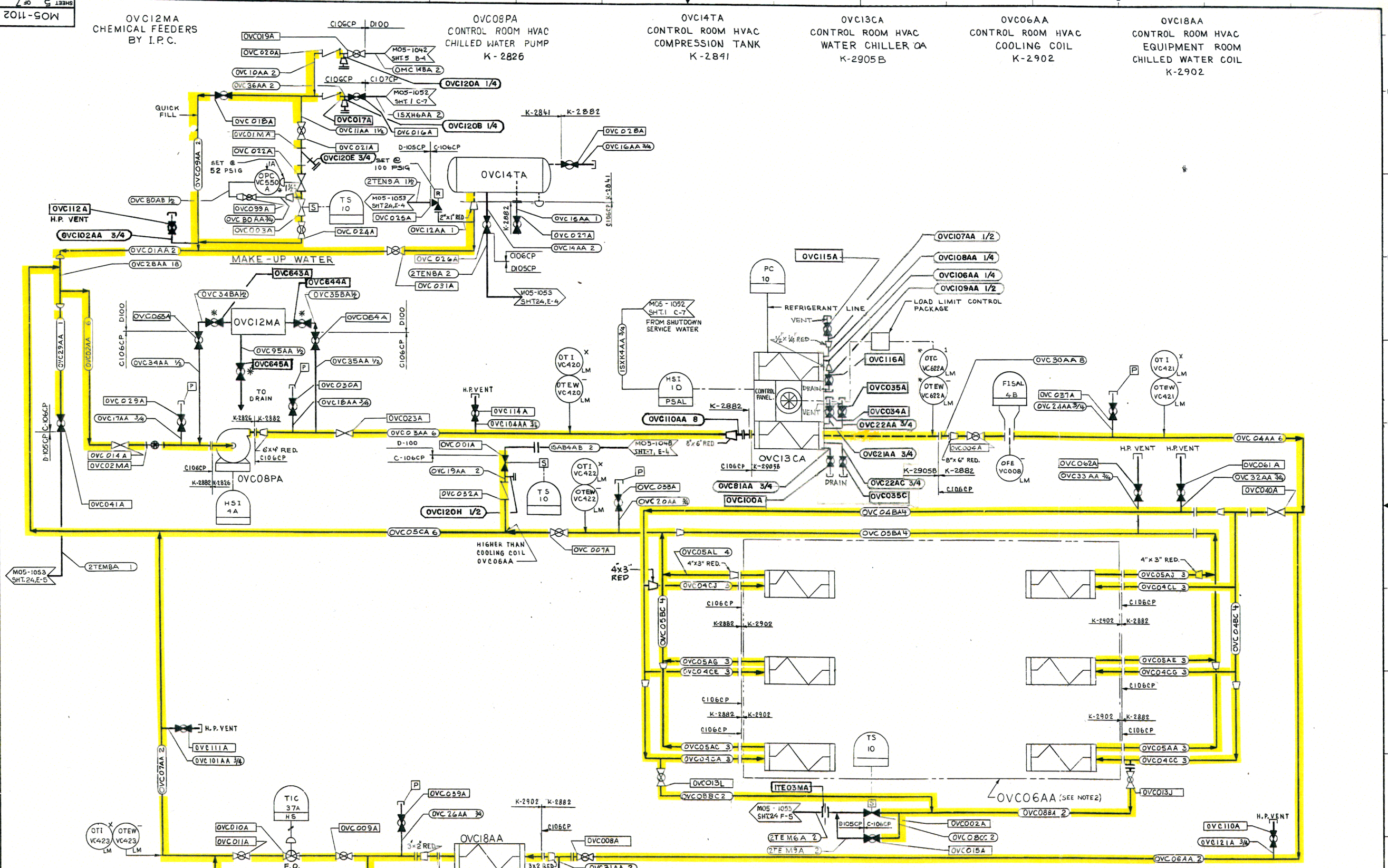
NOTES:
1. THE P&ID'S DIAGRAMS FOR THE C&I
FUNCTION SYMBOLS ARE SHOWN ON DRAWING M10-1102
UNLESS OTHERWISE NOTED, SHEET NUMBER & DIAGRAM
REFERENCE ARE SHOWN IN THE FUNCTION SYMBOL.

SAFETY RELATED
NON-SAFETY RELATED (SEE NOTE 2)

NUCLEAR SAFETY RELATED
ITEMS ARE SHOWN ON THIS DRAWING
(FOR SAFETY CLASSIFICATION SEE PIPING,
EQUIPMENT, VALVE, OR INSTRUMENT LISTS.)



This drawing turned over
to ILLINOIS POWER



NOTES:
 1. * FURNISHED WITH EQUIPMENT.
 2. COOLING COIL OVC06AA IS SPLIT INTO SIX SEPARATE COILS.

NUCLEAR SAFETY RELATED
 ITEMS ARE SHOWN ON THIS DRAWING
 (FOR SAFETY CLASSIFICATION SEE PIPING, EQUIPMENT, VALVE, OR INSTRUMENT LISTS.)

NOTE:
 THE P&ID/C&I DIAGRAMS FOR THE C&I FUNCTION SYMBOLS ARE SHOWN ON DRAWING M10-9102 UNLESS OTHERWISE NOTED, SHEET NUMBER & DIAGRAM REFERENCE ARE SHOWN IN THE FUNCTION SYMBOL.

CLINTON POWER STATION
 UPDATED SAFETY ANALYSIS REPORT

FIGURE 3.6-1
 DIVISIONAL SEPARATION AND
 HIGH-ENERGY P&ID'S-
 CONTROL ROOM HVAC
 SHEET 88 OF 111

MO5-1102
SHEET 6 OF 7

OVC12MB
CHEMICAL FEEDERS
BY I.P.C.

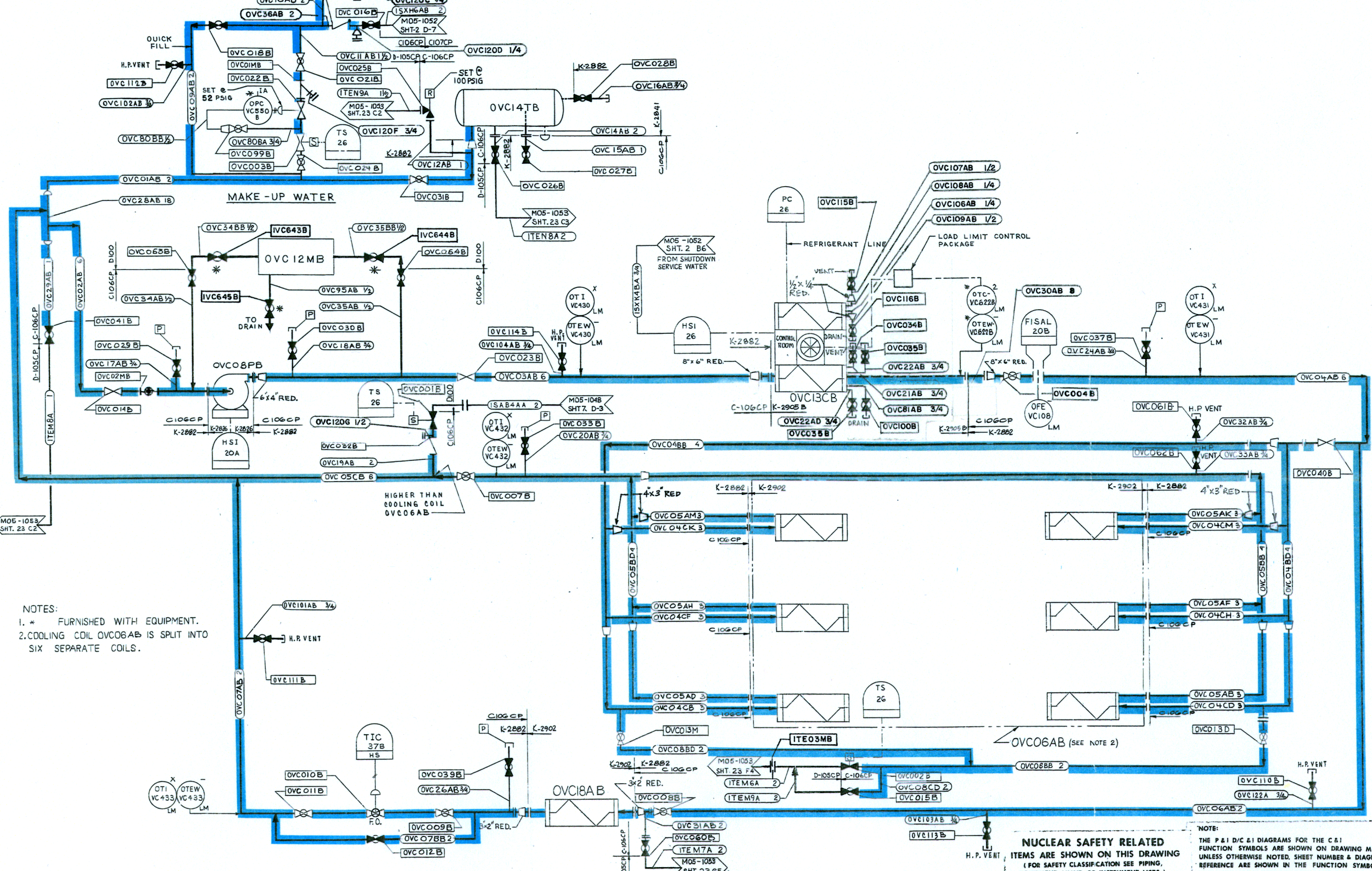
OVC08PB
CONTROL ROOM HVAC
CHILLED WATER PUMP
K-2826

OVC14TB
CONTROL ROOM HVAC
COMPRESSION TANK
K-2841

OVC13CB
CONTROL ROOM HVAC
WATER CHILLER OB
K-2905B

OVC06AB
CONTROL ROOM HVAC
COOLING COIL
K-2902

OVC18AB
CONTROL ROOM HVAC
EQUIPMENT ROOM
CHILLED WATER COIL
K-2902

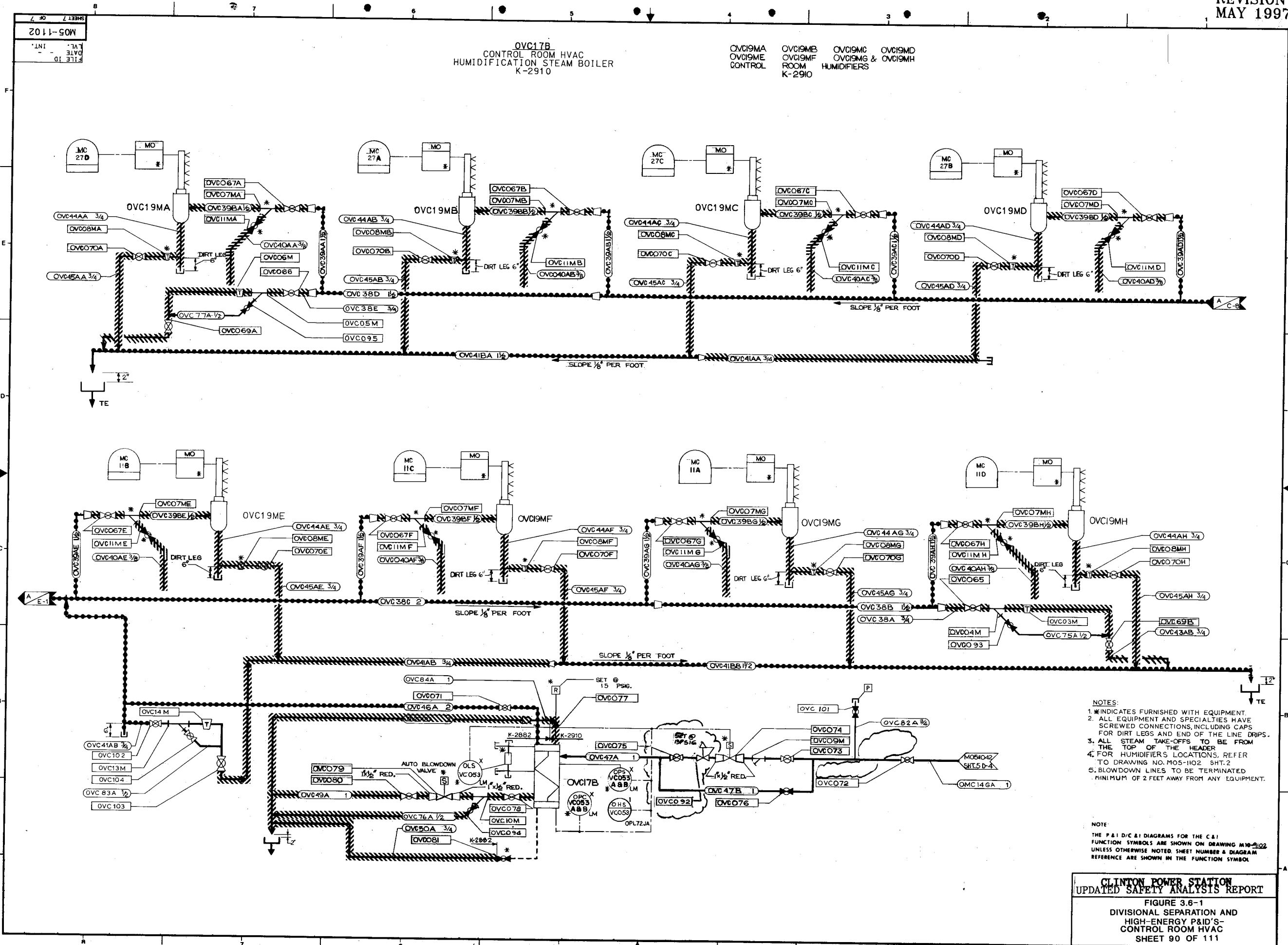


NOTES:
 1. * FURNISHED WITH EQUIPMENT.
 2. COOLING COIL OVC06AB IS SPLIT INTO SIX SEPARATE COILS.

NUCLEAR SAFETY RELATED
 ITEMS ARE SHOWN ON THIS DRAWING
 (FOR SAFETY CLASSIFICATION SEE PIPING,
 EQUIPMENT, VALVE, OR INSTRUMENT LISTS.)

NOTE:
 THE P&ID/D/C/EI DIAGRAMS FOR THE CAI
 FUNCTION SYMBOLS ARE SHOWN ON DRAWING M10-9102
 UNLESS OTHERWISE NOTED, SHEET NUMBER & DIAGRAM
 REFERENCE ARE SHOWN IN THE FUNCTION SYMBOL.

CLINTON POWER STATION
UPDATED SAFETY ANALYSIS REPORT
 FIGURE 3.6-1
 DIVISIONAL SEPARATION AND
 HIGH-ENERGY P&ID'S-
 CONTROL ROOM HVAC
 SHEET 89 OF 111



2011-50W
DATE
INT.
FILE 10

OVC17B
CONTROL ROOM HVAC
HUMIDIFICATION STEAM BOILER
K-2910

OVC19MA OVC19MB OVC19MC OVC19MD
OVC19ME OVC19MF OVC19MG OVC19MH
CONTROL ROOM HUMIDIFIERS
K-2910

- NOTES:
- * INDICATES FURNISHED WITH EQUIPMENT.
 - ALL EQUIPMENT AND SPECIALTIES HAVE SCREWED CONNECTIONS, INCLUDING CAPS FOR DIRT LEGS AND END OF THE LINE DRIPS.
 - ALL STEAM TAKE-OFFS TO BE FROM THE TOP OF THE HEADER.
 - FOR HUMIDIFIERS LOCATIONS, REFER TO DRAWING NO. M05-1102 SHT. 2
 - BLOWDOWN LINES TO BE TERMINATED MINIMUM OF 2 FEET AWAY FROM ANY EQUIPMENT.

NOTE:
THE P&ID/C&I DIAGRAMS FOR THE C&I FUNCTION SYMBOLS ARE SHOWN ON DRAWING M10-1102 UNLESS OTHERWISE NOTED. SHEET NUMBER & DIAGRAM REFERENCE ARE SHOWN IN THE FUNCTION SYMBOL.

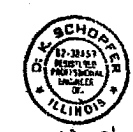
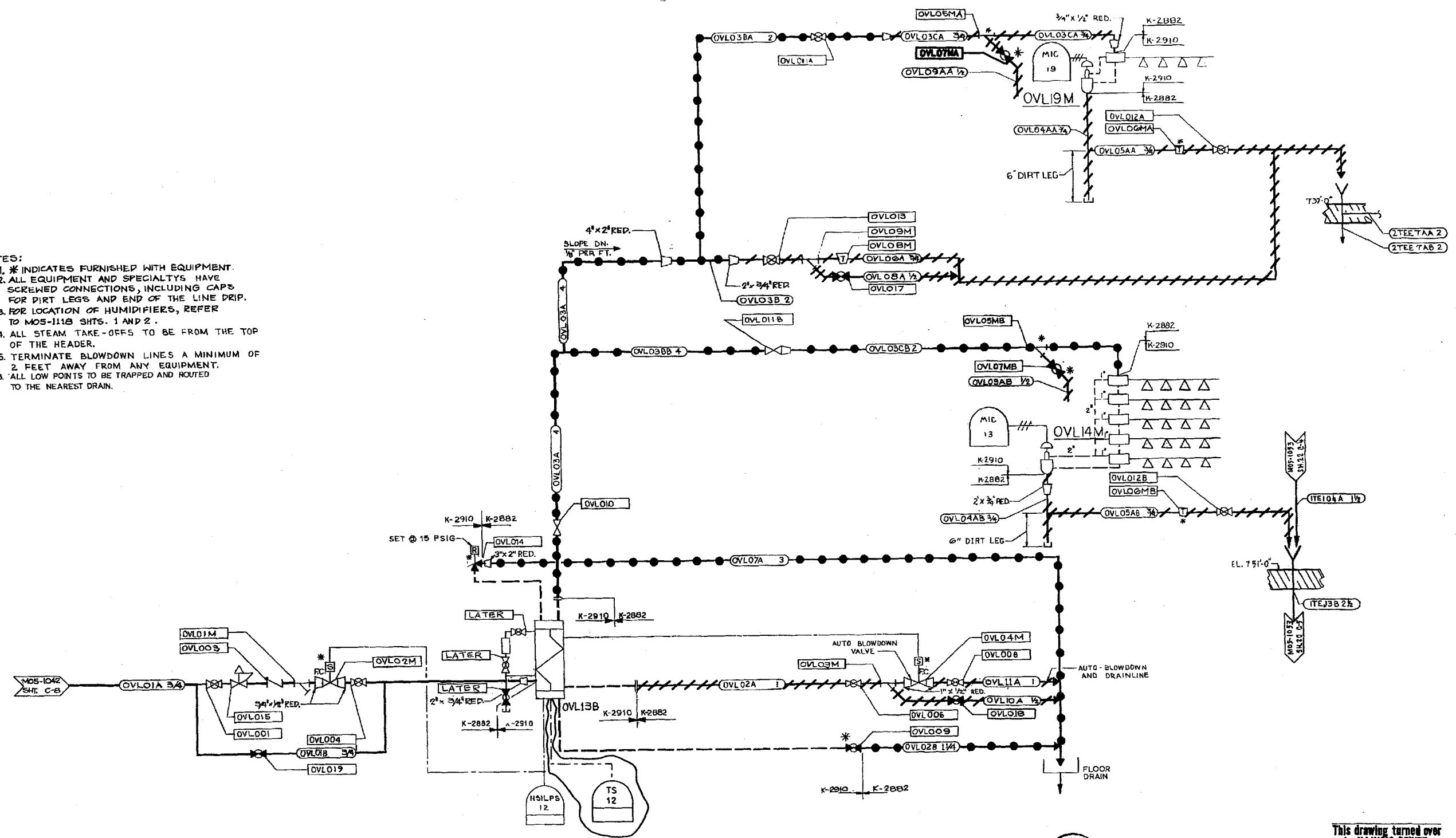
CLINTON POWER STATION
UPDATED SAFETY ANALYSIS REPORT
FIGURE 3.6-1
DIVISIONAL SEPARATION AND
HIGH-ENERGY P&ID'S-
CONTROL ROOM HVAC
SHEET 90 OF 111

SHEET 5 OF 5
 8111-SOM
 DATE
 FILE TO

OVL13B LABORATORY HUMIDIFICATION STEAM BOILER K-2910
 OVL14M LABORATORY HUMIDIFIER K-2910
 OVL19M COUNTING ROOM HUMIDIFIER K-2910

REVISION 8
 MARCH 1998

- NOTES:
- * INDICATES FURNISHED WITH EQUIPMENT.
 - ALL EQUIPMENT AND SPECIALTYS HAVE SCREWED CONNECTIONS, INCLUDING CAPS FOR DIRT LEGS AND END OF THE LINE DRIP.
 - FOR LOCATION OF HUMIDIFIERS, REFER TO MOS-1118 SHTS. 1 AND 2.
 - ALL STEAM TAKE-OFFS TO BE FROM THE TOP OF THE HEADER.
 - TERMINATE BLOWDOWN LINES A MINIMUM OF 2 FEET AWAY FROM ANY EQUIPMENT.
 - ALL LOW POINTS TO BE TRAPPED AND ROUTED TO THE NEAREST DRAIN.



This drawing turned over to ILLINOIS POWER

NOTE:
 THE P & I D/C & I DETAILS FOR THE C & I
 FUNCTION SYMBOLS ARE SHOWN ON DRAWING M10-2118
 UNLESS OTHERWISE NOTED, SHEET NUMBER & DETAIL
 REFERENCE ARE SHOWN IN THE FUNCTION SYMBOL.

CLINTON POWER STATION
 UPDATED SAFETY ANALYSIS REPORT

FIGURE 3.6-1
 DIVISIONAL SEPARATION AND
 HIGH-ENERGY P&ID'S
 LABORATORY AND COUNTING ROOM HVAC
 SHEET 90A OF 111

COM-50M

IV001CA, CB, CC DIESEL GENERATOR VENT FANS 1A, 1B, 1C K-2904

IV002CA, CB, CC DIESEL GENERATOR VENT OIL ROOM EXHAUST FANS 1A, 1B, 1C K-2904

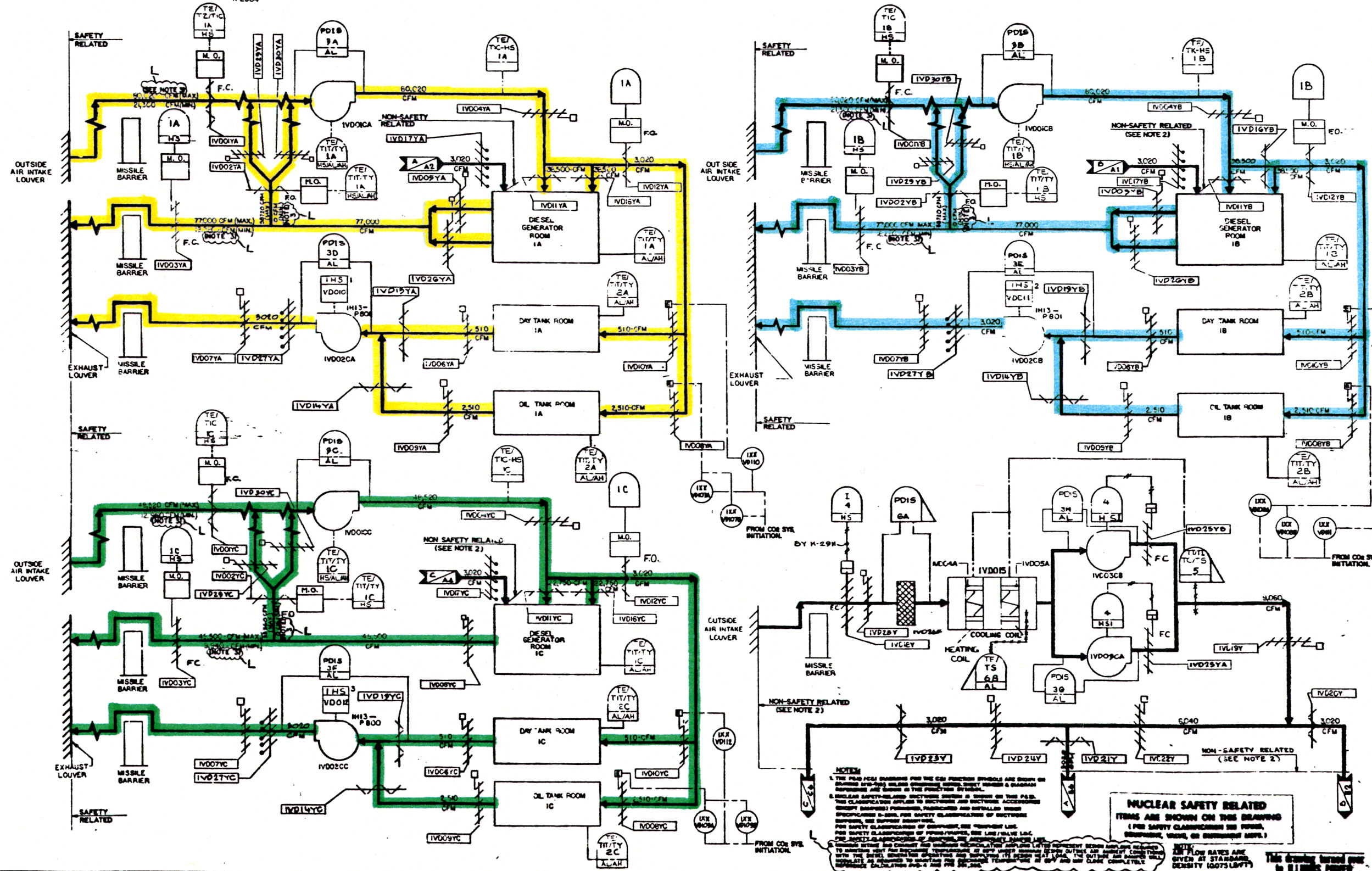
IV003CA, CB DIESEL GENERATOR MAKE-UP FAN K-2904

IV004S DIESEL GENERATOR MAKE-UP SUPPLY UNIT K-2906

IV004A DIESEL GENERATOR MAKE-UP HEATING COIL K-2906

IV005A DIESEL GENERATOR MAKE-UP COOLING COIL K-2906

IV026F DIESEL GENERATOR MAKE-UP SUPPLY AIR FILTER K-2910



NOTE:

1. THE P&ID FOR THE COM SYSTEMS ARE SHOWN ON DRAWING IV0-000 (SEE NOTE 2) AND THE P&ID FOR THE COM SYSTEMS ARE SHOWN ON THE P&ID FOR THE COM SYSTEMS.

2. THE CLASSIFICATION OF SAFETY RELATED ITEMS IS SHOWN ON THIS P&ID. THE CLASSIFICATION APPLIES TO STRUCTURES AND STRUCTURAL ACCESSORIES (SHEETS, BRACKETS, PIPES, FITTINGS, AND WELDED JOINTS) SHOWN ON THIS P&ID. FOR SAFETY CLASSIFICATION OF STRUCTURAL SUPPORTS, SEE SHEET IV0-000.

3. SAFETY CLASSIFICATION OF STRUCTURES, FITTINGS, AND WELDED JOINTS IS SHOWN ON THIS P&ID. FOR SAFETY CLASSIFICATION OF STRUCTURAL SUPPORTS, SEE SHEET IV0-000.

4. SAFETY CLASSIFICATION OF STRUCTURAL SUPPORTS IS SHOWN ON THIS P&ID. FOR SAFETY CLASSIFICATION OF STRUCTURAL SUPPORTS, SEE SHEET IV0-000.

5. SAFETY CLASSIFICATION OF STRUCTURAL SUPPORTS IS SHOWN ON THIS P&ID. FOR SAFETY CLASSIFICATION OF STRUCTURAL SUPPORTS, SEE SHEET IV0-000.

6. SAFETY CLASSIFICATION OF STRUCTURAL SUPPORTS IS SHOWN ON THIS P&ID. FOR SAFETY CLASSIFICATION OF STRUCTURAL SUPPORTS, SEE SHEET IV0-000.

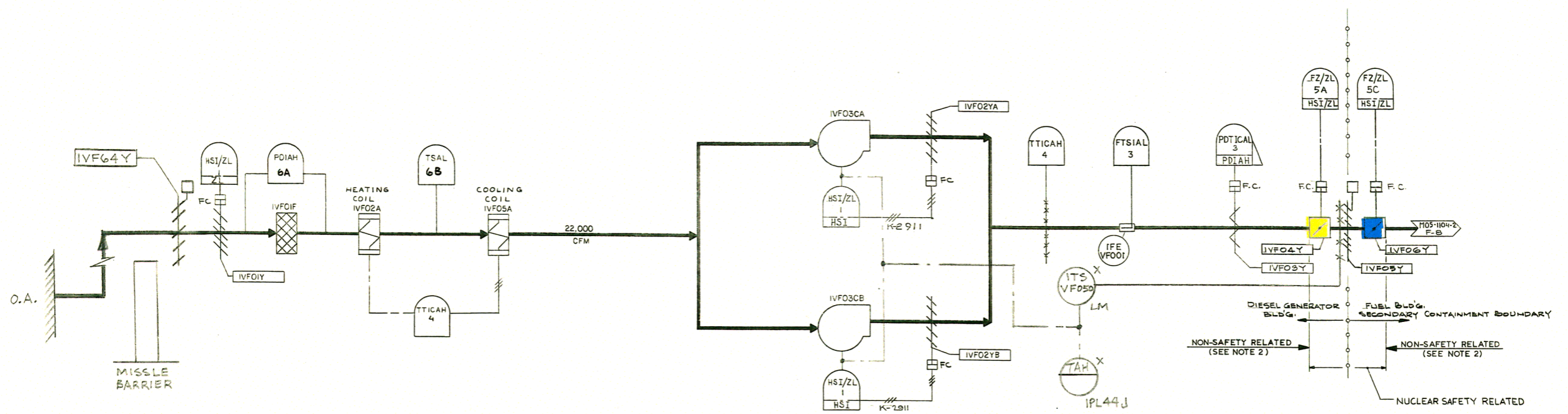
NUCLEAR SAFETY RELATED ITEMS ARE SHOWN ON THIS DRAWING (FOR SAFETY CLASSIFICATION SEE FORMS, DRAWINGS, VIEWS, OR SUPPORTING MAPS.)

THIS DRAWING IS A PART OF THE CLINTON POWER STATION SAFETY ANALYSIS REPORT. IT IS NOT TO BE USED FOR ANY OTHER PURPOSE.

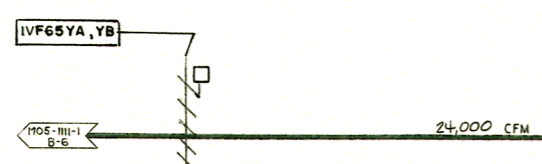
CLINTON POWER STATION
 UPDATED SAFETY ANALYSIS REPORT
 FIGURE 3.6-1
 DIVISIONAL SEPARATION AND
 HIGH-ENERGY P&ID'S-
 DIESEL GENERATOR ROOM VENTILATION
 SHEET 81 OF 111

MOF-90W

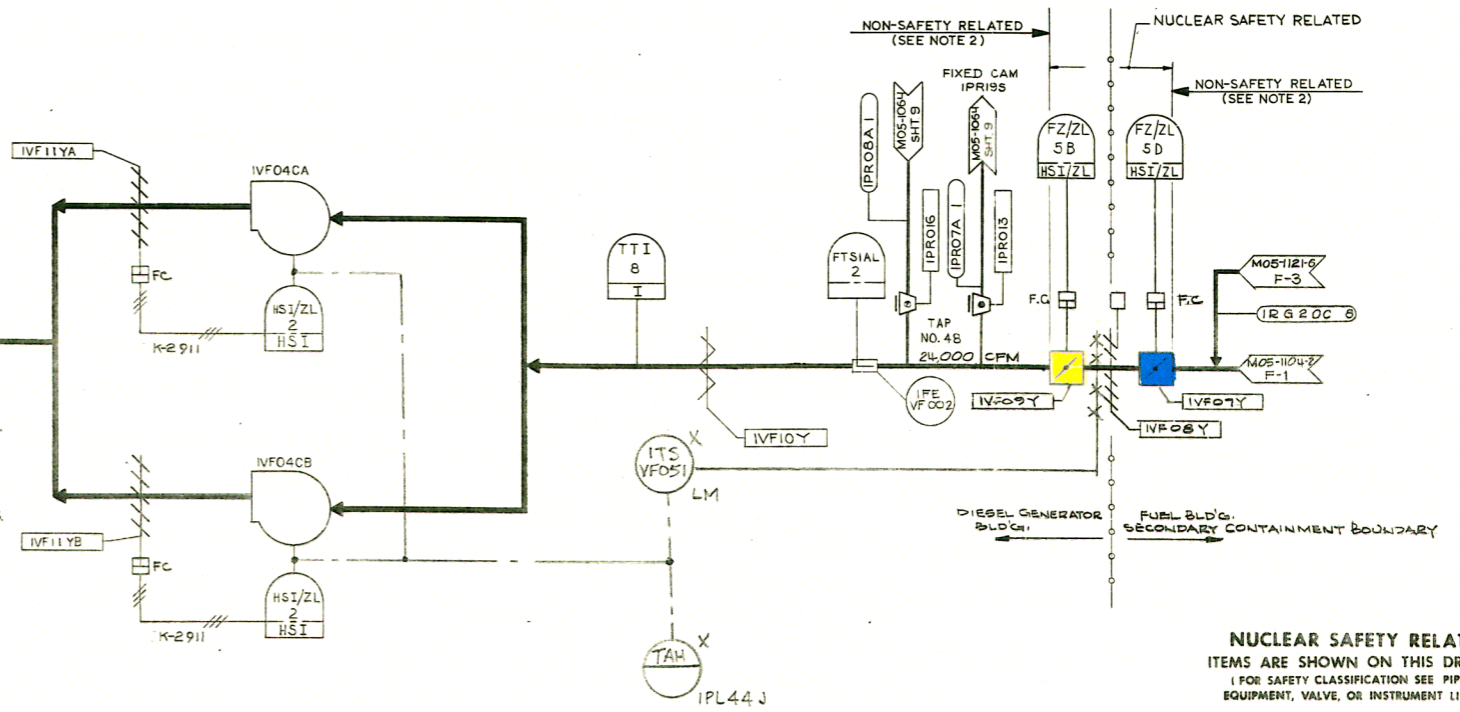
IVFO1F FUEL BLDG. VENT. SUPPLY AIR FILTER K-2910
 IVFO2A FUEL BLDG. VENT. SUPPLY AIR HTG. COIL K-2908
 IVFO3CA,CB FUEL BLDG. VENT. SUPPLY AIR FANS IA,IB K-2904
 IVFO4CA,CB FUEL BLDG. VENT. EXHAUS AIR FANS IA,IB K-2904
 IVFO5A FUEL BLDG. VENT. SUPPLY AIR CLG. COIL K-2906



NOTE: FIRE DAMPERS IVF65YA AND IVF65YB ARE IN PARALLEL SERVICE WITHIN THE COMMON DUCT.

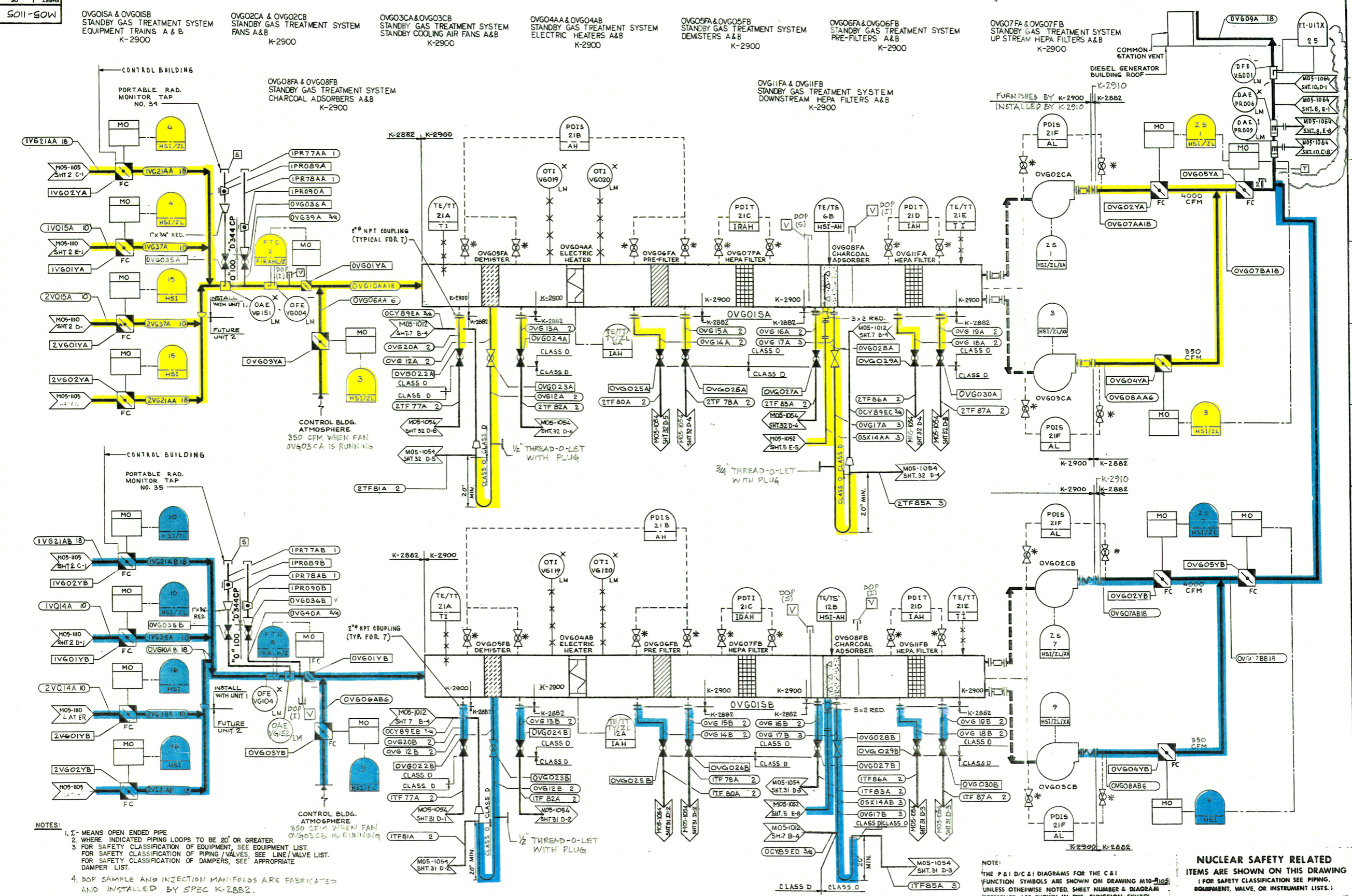


- NOTES:
1. THE P&ID/C&I DIAGRAMS FOR THE C&I FUNCTION SYMBOLS ARE SHOWN ON DRAWING M10-1104 UNLESS OTHERWISE NOTED. SHEET NUMBER & DIAGRAM REFERENCE ARE SHOWN IN THE FUNCTION SYMBOL.
 2. NUCLEAR SAFETY-RELATED DUCTWORK SYSTEM IS SHOWN ON THIS P&ID. THIS CLASSIFICATION APPLIES TO DUCTWORK AND DUCTWORK ACCESSORIES (EXCEPT DAMPERS) FURNISHED, FABRICATED AND INSTALLED UNDER SPECIFICATION K-2910. FOR SAFETY CLASSIFICATION OF DUCTWORK SUPPORTS, SEE SUPPORT DWG'S. FOR SAFETY CLASSIFICATION OF EQUIPMENT, SEE EQUIPMENT LIST. FOR SAFETY CLASSIFICATION OF PIPING/VALVES, SEE LINE/VALVE LIST. FOR SAFETY CLASSIFICATION OF DAMPERS, SEE APPROPRIATE DAMPER LIST.



NUCLEAR SAFETY RELATED ITEMS ARE SHOWN ON THIS DRAWING (FOR SAFETY CLASSIFICATION SEE PIPING, EQUIPMENT, VALVE, OR INSTRUMENT LISTS.)

CLINTON POWER STATION
 UPDATED SAFETY ANALYSIS REPORT
 FIGURE 3.6-1
 DIVISIONAL SEPARATION AND
 HIGH-ENERGY P&ID'S-
 FUEL BUILDING HVAC
 SHEET 92 OF 111



NOTES:
 1. I, I - MEANS OPEN ENDED PIPE
 2. WHERE INDICATED PIPING LOOPS TO BE 20' OR GREATER.
 3. FOR SAFETY CLASSIFICATION OF EQUIPMENT, SEE EQUIPMENT LIST.
 FOR SAFETY CLASSIFICATION OF PIPING / VALVES, SEE LINE / VALVE LIST.
 FOR SAFETY CLASSIFICATION OF DAMPERS, SEE APPROPRIATE DAMPER LIST.
 4. DOP SAMPLE AND INJECTION MANIFOLDS ARE FABRICATED AND INSTALLED BY SPEC K-2882.

NOTE:
 THE P&ID/C&I DIAGRAMS FOR THE C&I FUNCTION SYMBOLS ARE SHOWN ON DRAWING M10-1105. UNLESS OTHERWISE NOTED, SHEET NUMBER & DIAGRAM REFERENCE ARE SHOWN IN THE FUNCTION SYMBOL.

NUCLEAR SAFETY RELATED ITEMS ARE SHOWN ON THIS DRAWING (FOR SAFETY CLASSIFICATION SEE PIPING, EQUIPMENT, VALVE, OR INSTRUMENT LISTS.)

