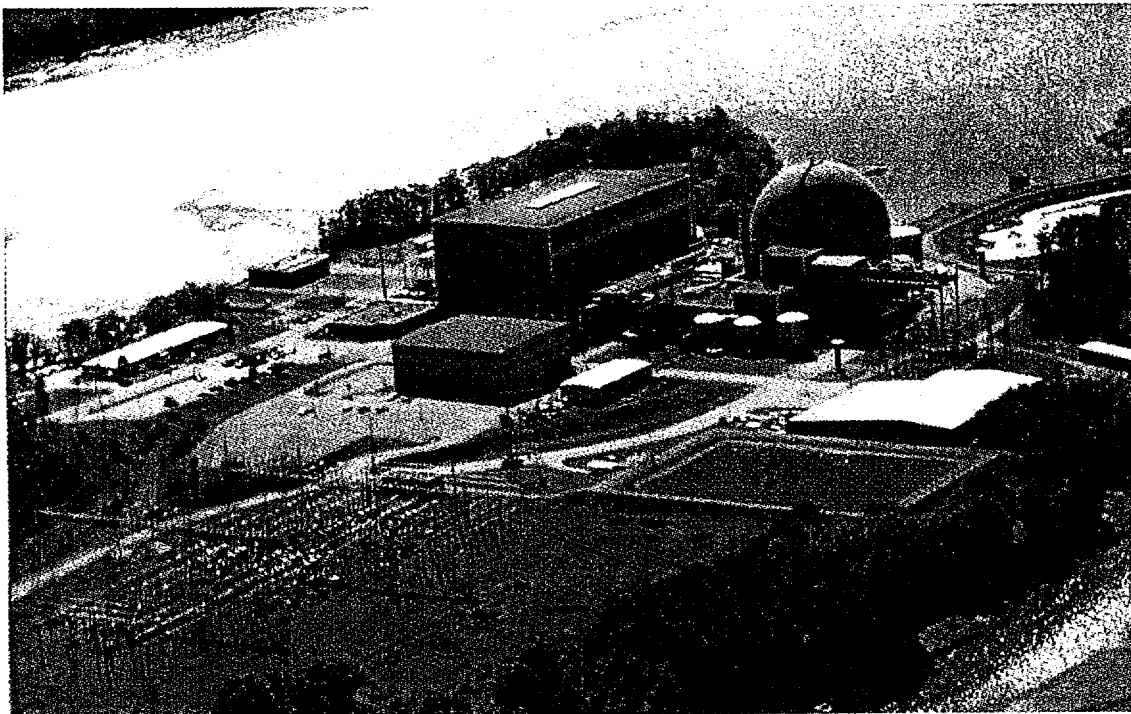


# **DURATEK**

**CHARACTERIZATION SURVEY REPORT  
for the  
MAINE YANKEE ATOMIC POWER PLANT**

**VOLUME 4  
RADIOLOGICAL CHARACTERIZATION RESULTS FOR  
UNAFFECTED SYSTEMS**

**APPENDIX B**



**APRIL 1998  
REVISION 1**

**Prepared By:**

**GTS Duratek  
Radiological Engineering and Field Services  
628 Gallaher Road  
Kingston, TN 37763**

RADIOLOGICAL CHARACTERIZATION RESULTS FOR UNAFFECTED SYSTEMS

APPENDIX B  
UNAFFECTED PLANT SYSTEMS DIAGRAMS

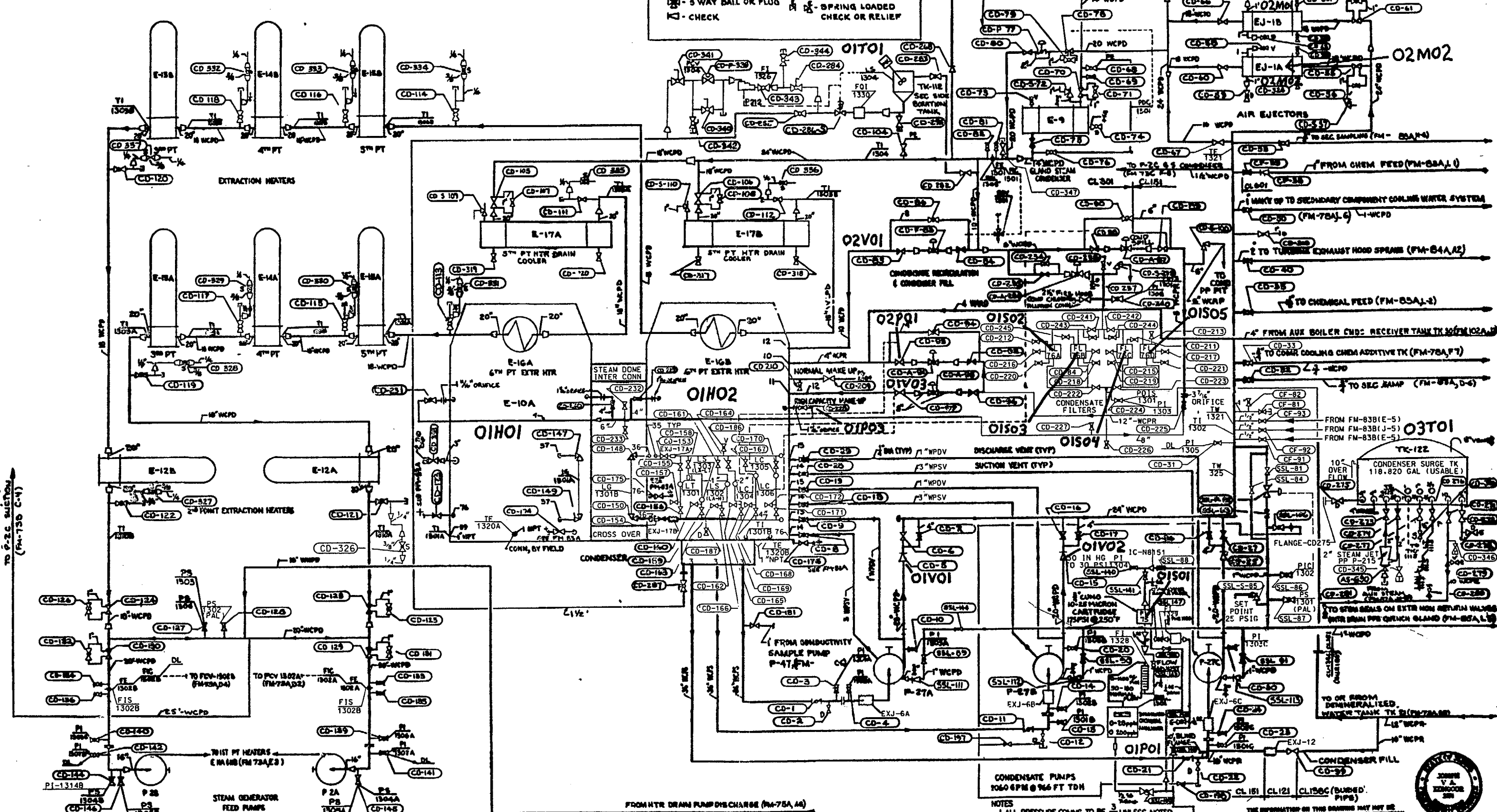
D0100-1	D0900-4	D1800-2	D2700-2	D3400-1
D0200-1	D1000-1	D1800-3	D2800-1	
D0200-2	D1000-2	D1900-1	D2800-2	
D0200-3	D1100-1	D1900-2	D2900-1	
D0200-4	D1200-1	D1900-3	D2900-2	
D0300-1	D1200-2	D1900-4	D3000-1	
D0400-1	D1300-1	D1900-5	D3000-2	
D0500-1	D1300-2	D2000-1	D3000-3	
D0500-2	D1300-3	D2100-1	D3000-4	
D0600-1	D1400-1	D2100-2	D3000-5	
D0700-1	D1500-1	D2200-1	D3000-6	
D0700-2	D1600-1	D2300-1	D3100-1	
D0800-1	D1600-2	D2400-1	D3100-2	
D0800-2	D1600-3	D2400-2	D3200-1	
D0900-1	D1600-4	D2400-3	D3200-2	
D0900-2	D1700-1	D2500-1	D3300-1	
D0900-3	D1800-1	D2700-1	D3300-2	

VALVE LEGEND

- ☐ - GLOBE
- ☐ - GATE
- ☐ - BALL OR PLUG
- ☐ - BUTTERFLY
- ☐ - 8 WAY GLOBE
- ☐ - 5 WAY BALL OR PLUG
- ☐ - CHECK
- - MOV
- - SOV
- - PNEUMATIC
- - HYDRAULIC
- - SPRING LOADED CHECK OR RELIEF



PACKAGE D0100 CONDENSATE SYSTEM



DECOMMISSION LEGEND

- NOT ASSESSED
- AVAILABLE A1
- AVAILABLE A2
- AVAILABLE A3
- LAY-UP
- ABANDON
- DECOMMISSIONED

NOTES  
 1 ALL PRESSURE CONNS TO BE 3/4 UNLESS NOTED  
 2 ALL TEMPERATURE CONNS TO BE 1 UNLESS NOTED  
 REFERENCE DWGS  
 FLOW DIAGRAM - CONDENSATE PIPING FMISA  
 3 VALVE CD-P-77 HAS BEEN BLOCKED AND DISABLED

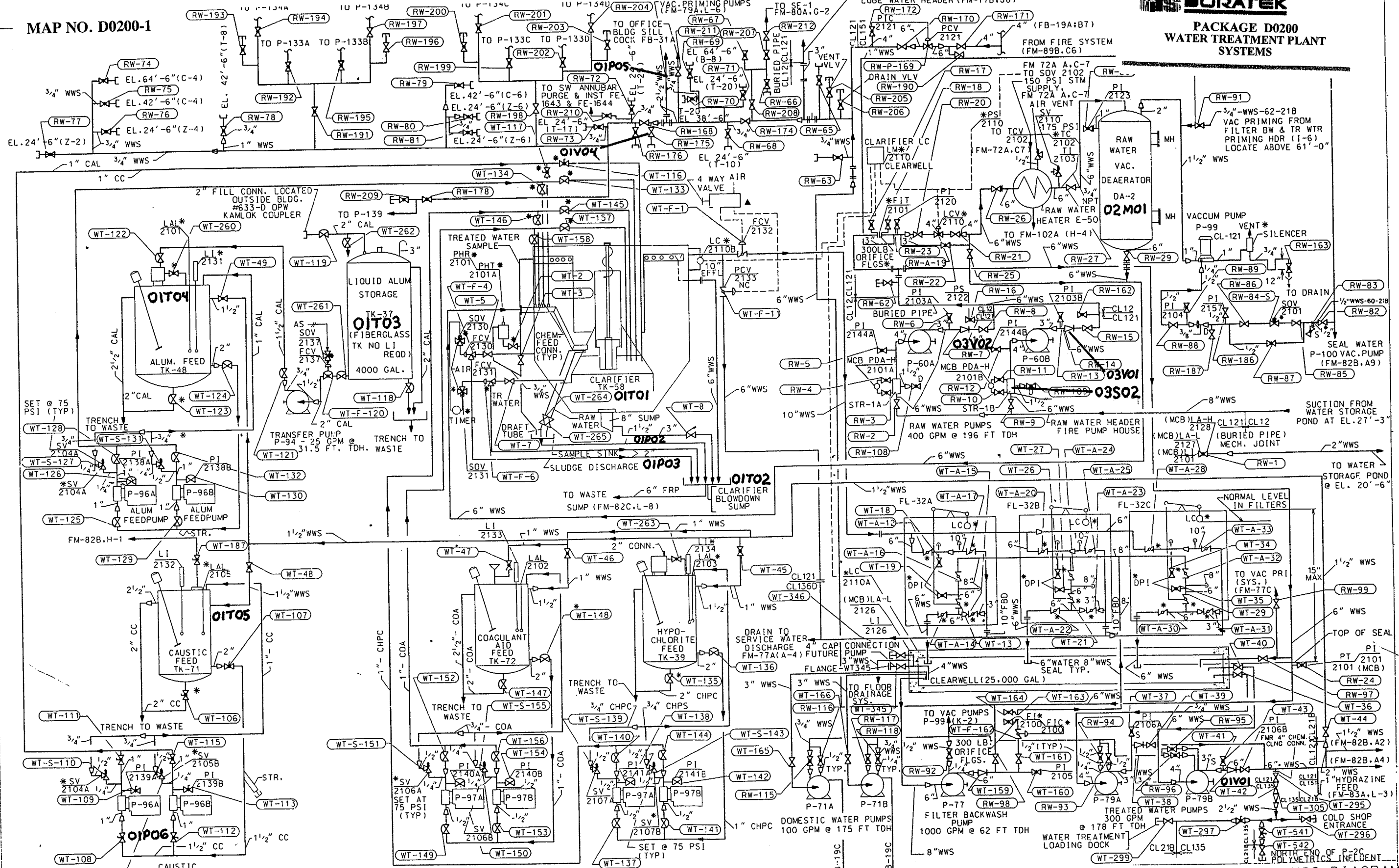
OPERATING VALVE NOS DIAGRAM CONDENSATE PIPING

Maine Yankee  
RELIABLE ELECTRICITY FOR MAINE SINCE 1972

DRAWING NUMBER 11550-FM-74A

REV	DESCRIPTION	BY	CHKD	APPD	REV	DESCRIPTION	BY	CHKD	APPD
39	REV PER DCR 98-006 SYSTEM RE-CLASSIFICATION				2/9/99	2/10/99	3/2/99		
38	REV PER DCR 97-116 SYSTEM RE-CLASSIFICATION				12/9/97	12/9/97	12/9/97		





**DECOMMISSION LEGEND**

(Blank)	NOT ASSESSED
---	AVAILABLE A1
---	AVAILABLE A2
---	AVAILABLE A3
---	LAY-UP
---	ABANDON
---	DECOMMISSIONED

**NOTE:**  
 PUMPS 96A,B ARE ALUM, CAUSTIC DUPEX PUMPS  
 PUMPS 97A,B ARE COAGULANT AID HYPOCHLORITE  
 DUPEX PUMPS  
 \* FURNISHED BY EQUIPMENT MFR  
 ( ) INDICATES COORDINATES ON THIS DWG  
 ALL PANEL MOUNTED INSTRUMENTS ARE ON WATER  
 TREATING PANEL EXCEPT AS NOTED  
 MCB INDICATES MAIN CONTROL BOARD

**NOTE: (CONT)**  
 REFER TO MFRS DRAWINGS 552-68-4-6601  
 & 552-68-4-6602 FOR ADDITIONAL DETAILS  
 ▲ FURNISHED BY VALVE CONTROL MFR

**NOTE:**  
 GENERAL NOTE & REFERENCES: FM-21B

REV	DESCRIPTION	BY	CHKD	APPD	REV	DESCRIPTION	BY	CHKD	APPD
27	REV PER DCR 97-116 SYSTEM RE-CLASSIFICATION				12/9/97	MSR	DP	MSR	

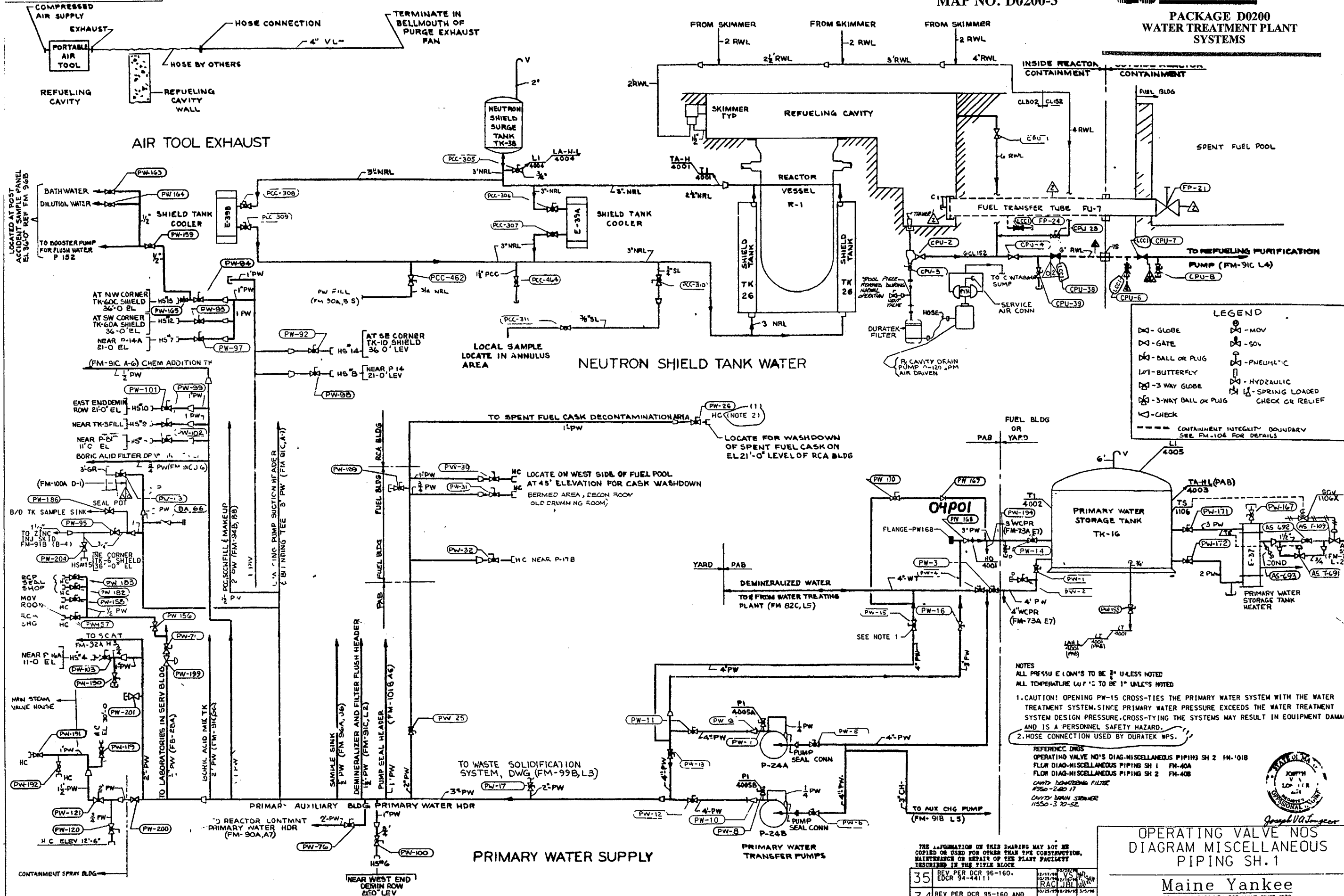
**OPERATING VALVE NOS DIAGRAM**  
**MAKEUP WATER TREATMENT**  
**PIPING SH. 1**

**Maine Yankee**  
RELIABLE EQUIPMENT FOR YOUR WATER PLANT

DRAWING NUMBER **11550-FM-82A**







**LEGEND**

- ⊗ - GLOBE
- ⊗ - MOV
- ⊗ - GATE
- ⊗ - BALL OR PLUG
- ⊗ - BUTTERFLY
- ⊗ - 3 WAY GLOBE
- ⊗ - 3 WAY BALL OR PLUG
- ⊗ - CHECK
- ⊗ - PNEUMATIC
- ⊗ - HYDRAULIC
- ⊗ - SPRING LOADED
- ⊗ - CHECK OR RELIEF

--- CONTAINMENT INTEGRITY BOUNDARY  
SEE FM-104 FOR DETAILS

**NOTES**

ALL PRESSURE LOSS TO BE 1/2" UNLESS NOTED  
ALL TEMPERATURE LOSS TO BE 1" UNLESS NOTED

1. CAUTION! OPENING PW-15 CROSS-TIES THE PRIMARY WATER SYSTEM WITH THE WATER TREATMENT SYSTEM. SINCE PRIMARY WATER PRESSURE EXCEEDS THE WATER TREATMENT SYSTEM DESIGN PRESSURE, CROSS-TYING THE SYSTEMS MAY RESULT IN EQUIPMENT DAMAGE AND IS A PERSONNEL SAFETY HAZARD.

2. HOSE CONNECTION USED BY DURATEK WPS.

**REFERENCE DWGS**

OPERATING VALVE NOS DIAG-MISCELLANEOUS PIPING SH 2 FM-1018  
FLOW DIAG-MISCELLANEOUS PIPING SH 1 FM-404  
FLOW DIAG-MISCELLANEOUS PIPING SH 2 FM-408  
CANDY DOWNSIDE FILTER FM-240 L7  
CANDY DOWNSIDE FILTER FM-240 L7  
11550-3-20-52



THE INFORMATION ON THIS DRAWING MAY NOT BE COPIED OR USED FOR OTHER THAN THE CONSTRUCTION, MAINTENANCE OR REPAIR OF THE PLANT FACILITY DESCRIBED IN THE TITLE BLOCK.

35	REV PER DCR 96-160, EDCR 94-4411	RAC	VS	RAC	RAC
34	REV PER DCR 95-160 AND DCR 95-215	RAC	VS	RAC	RAC
33	SEE ARCHIVE FOR PREVIOUS REVS. REV PER EDCR 94-51	RAC	MR	MR	MR

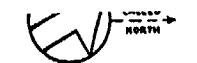
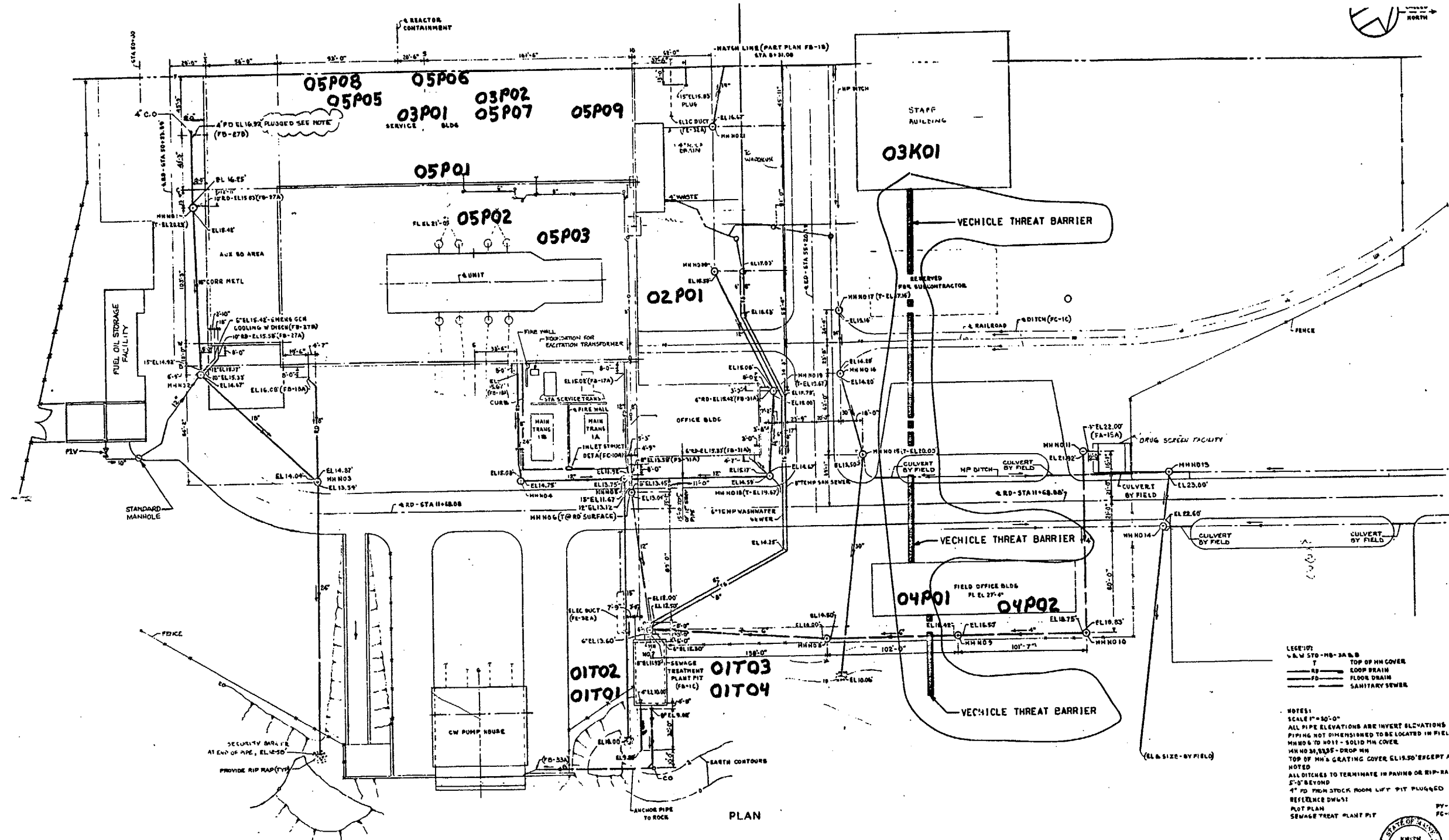
OPERATING VALVE NOS  
DIAGRAM MISCELLANEOUS  
PIPING SH.1

**Maine Yankee**  
RELIABLE ELECTRICITY FOR MAINE SINCE 1972

DRAWING NUMBER 11550-FM-101A







LEGEND:  
 S.W. STB-MB-3A & B  
 T TOP OF MH COVER  
 HD LOOP DRAIN  
 FD FLOOR DRAIN  
 SS SANITARY SEWER

NOTES:  
 SCALE 1"=30'-0"  
 ALL PIPE ELEVATIONS ARE INVERT ELEVATIONS  
 PIPING NOT DIMENSIONED TO BE LOCATED IN FIELD  
 MH NO 6 TO MH 11 - SOLID MH COVER  
 MH NO 21, 22, 23 - DROP MH  
 TOP OF MH'S GRATING COVER EL 13.50 EXCEPT AS NOTED  
 ALL DITCHES TO TERMINATE IN PAVING OR RIP-RAP  
 5'-0" BEYOND  
 4" PD FROM STOCK ROOM LIFT PIT PLUGGED  
 REFERENCE DWG#1  
 NOT PLAN  
 SEWAGE TREAT PLANT PIT



THE INFORMATION ON THIS DRAWING MAY NOT BE COPIED OR USED FOR OTHER THAN THE CONSTRUCTION MAINTENANCE OR REPAIR OF THE PLANT FACILITY DESCRIBED IN THE TITLE BLOCK.

YARD STORM & SANITARY SEWER SH 1  
 Maine Yankee  
 RELIABLE ELECTRICITY FOR MAINE SINCE 1972

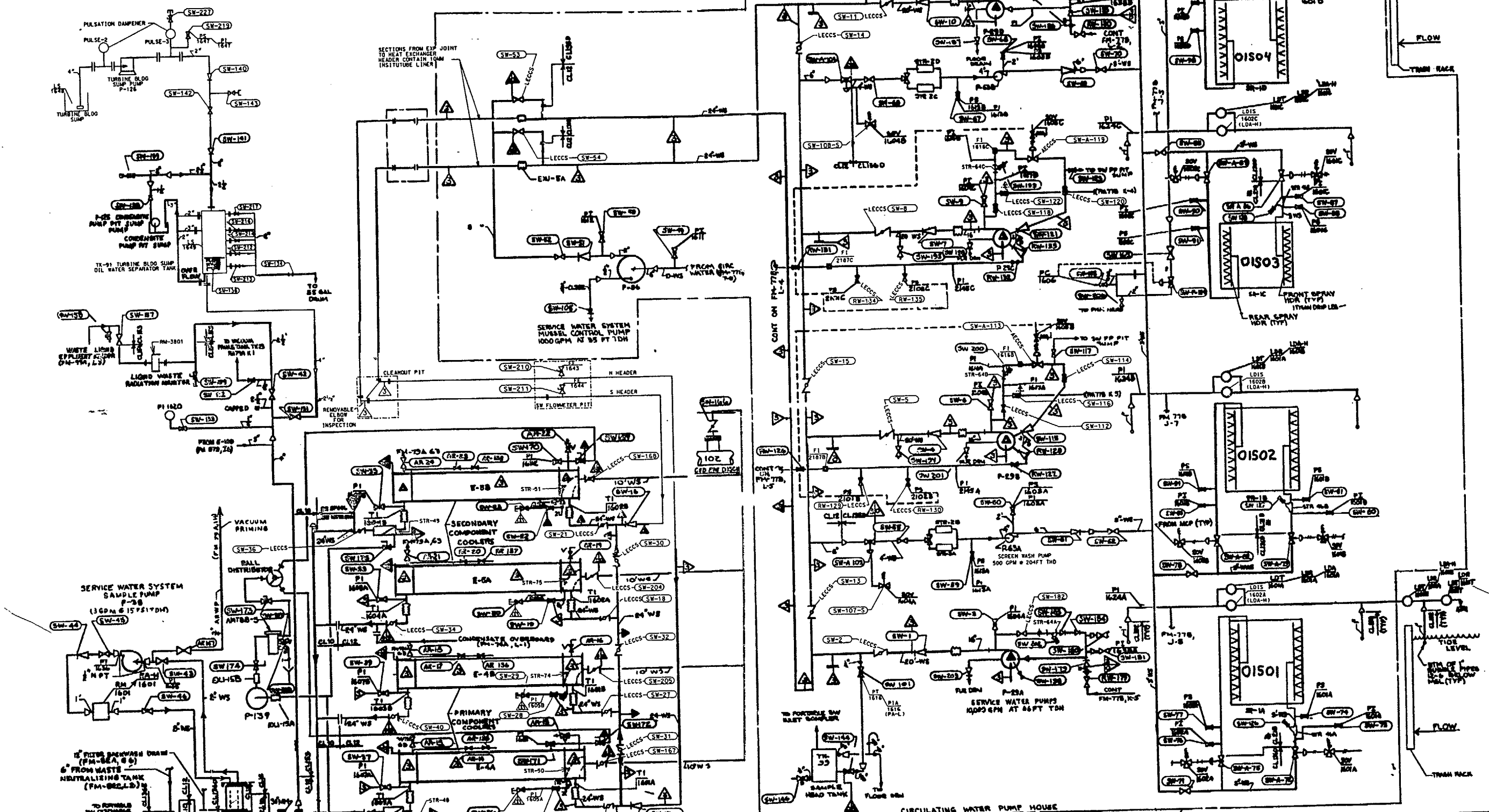
1	SEE ARCHIVE FOR PREVIOUS REV'S. REV PER EDCR 95-30	12/12/95	12/12/95	JBL	AC
REV	DESCRIPTION	BY	CHKD	APPD	

DRAWING NUMBER 11550-FB-1A



DECOMMISSION LEGEND

---	NOT ASSESSED
---	AVAILABLE A1
---	AVAILABLE A2
---	AVAILABLE A3
---	LAY-UP
---	ABANDON
---	DECOMMISSIONED



**VALVE LEGEND**

BS - GLOBE	MS - MOV
BS - GATE	MS - SOV
BS - BALL OR PLUG	MS - SOV
BT - BUTTERFLY	MS - PNEUMATIC
BS - 6 WAY GLOBE	MS - HYDRAULIC
BS - 8 WAY BALL OR PLUG	MS - SPRING LOADED
MS - CHECK	MS - CHECK OR RELIEF

NOTES  
ALL PRESSURE CONNECTIONS UNLESS NOTED  
ALL TEMPERATURE CONNECTIONS UNLESS NOTED  
CLASSIFIED SCREEN WASH PIPING IS SCHEDULE 80 RED GRADE  
REFERENCE DRAWING - SERVICE WATER PIPING  
FLOW DIAGRAM - SERVICE WATER PIPING  
PUMP - 100%  
MIN APPROX 12" LA, 3/4" SPOOL, 1/2" PLG SCHEDULED  
IN FLOOR 2ND FLOOR 91

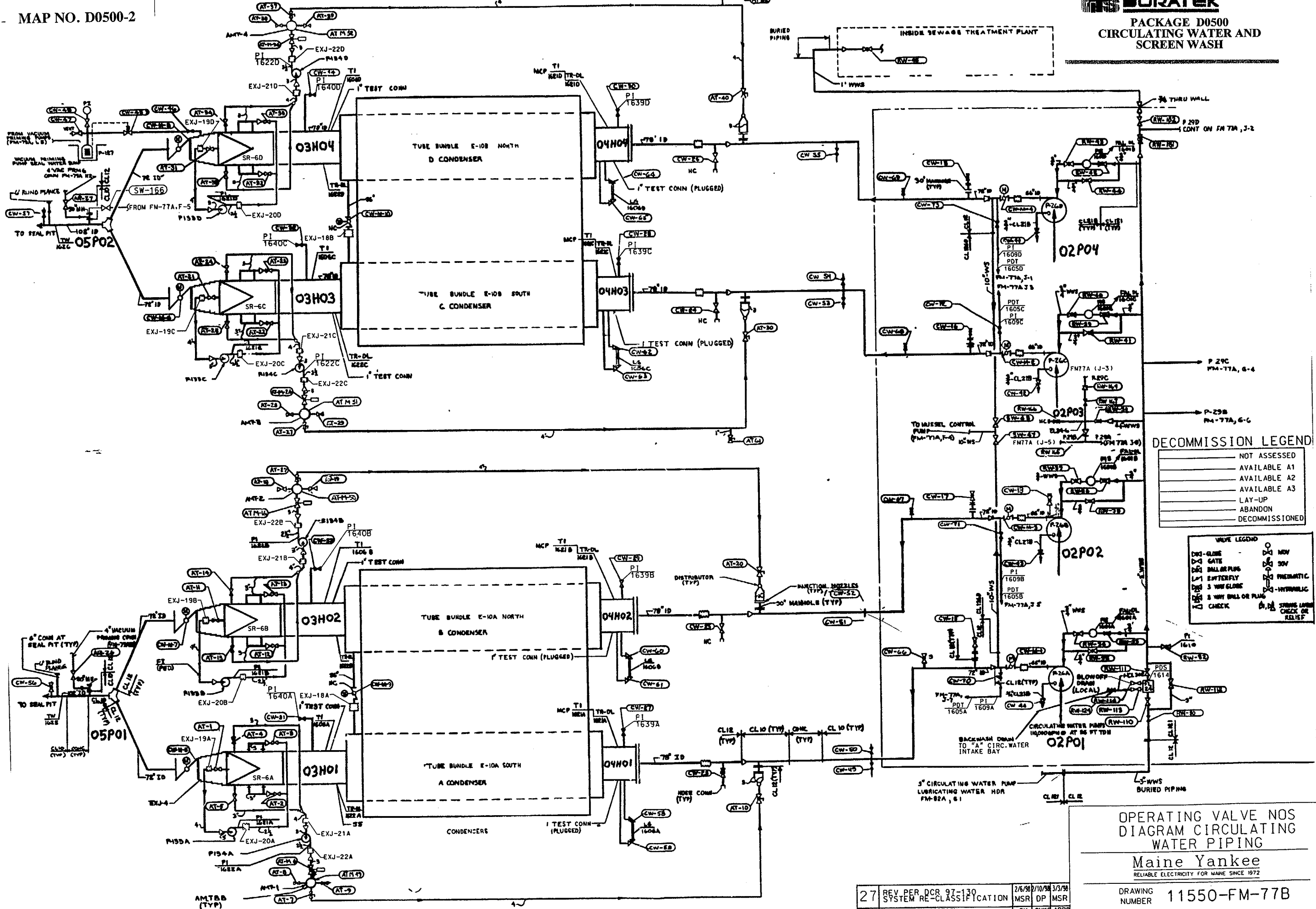
34	REV PER DCR 97-148	2/23/98	3/3/98	3/4/98
REV	DESCRIPTION	BY	CHKD	APPR

OPERATING VALVE NOS  
DIAGRAM SERVICE  
WATER PIPING

Maine Yankee  
RELIABLE ELECTRICITY FOR MAINE SINCE 1972

DRAWING NUMBER 11550-FM-77A





**DECOMMISSION LEGEND**

(Symbol)	NOT ASSESSED
(Symbol)	AVAILABLE A1
(Symbol)	AVAILABLE A2
(Symbol)	AVAILABLE A3
(Symbol)	LAY-UP
(Symbol)	ABANDON
(Symbol)	DECOMMISSIONED

**VALVE LEGEND**

(Symbol)	GLUE	(Symbol)	MOV
(Symbol)	GATE	(Symbol)	SOV
(Symbol)	BALL OR PLUG	(Symbol)	PNEUMATIC
(Symbol)	BUTTERFLY	(Symbol)	3 WAY GLOBE
(Symbol)	3 WAY GLOBE	(Symbol)	HYDRAULIC
(Symbol)	3 WAY BALL OR PLUG	(Symbol)	STEM LEAK CHECK OR RELIEF
(Symbol)	CHECK		

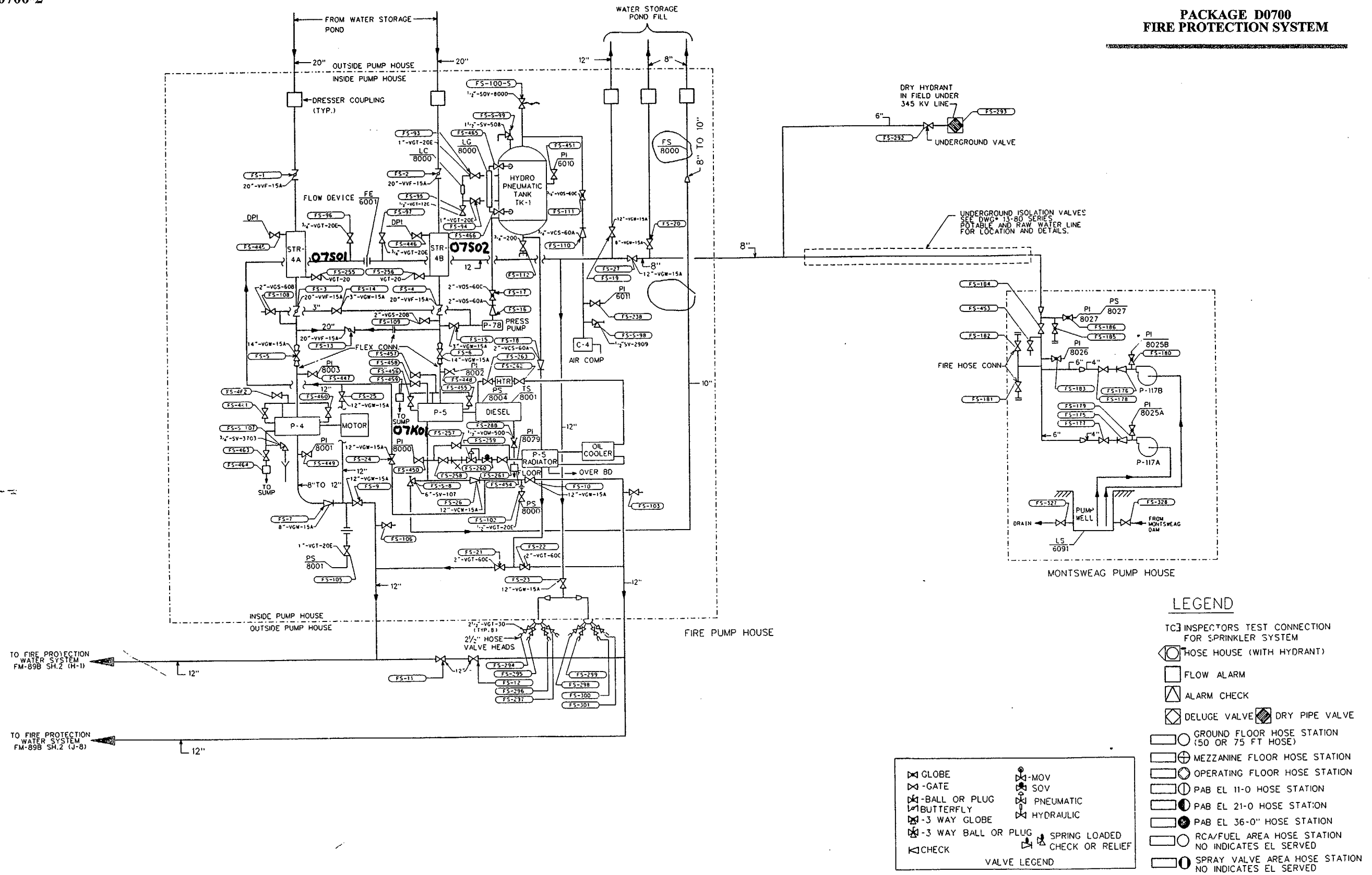
OPERATING VALVE NOS  
 DIAGRAM CIRCULATING  
 WATER PIPING  
**Maine Yankee**  
 RELIABLE ELECTRICITY FOR MAINE SINCE 1972

27	REV PER DCR 97-130	2/6/98	10/98	3/3/98
REV	DESCRIPTION	BY	CHK	APP

DRAWING NUMBER 11550-FM-77B







LEGEND

- TC] INSPECTOR'S TEST CONNECTION FOR SPRINKLER SYSTEM
- HOSE HOUSE (WITH HYDRANT)
- FLOW ALARM
- ALARM CHECK
- DELUGE VALVE
- DRY PIPE VALVE
- GROUND FLOOR HOSE STATION (50 OR 75 FT HOSE)
- MEZZANINE FLOOR HOSE STATION
- OPERATING FLOOR HOSE STATION
- PAB EL 11-0 HOSE STATION
- PAB EL 21-0 HOSE STATION
- PAB EL 36-0" HOSE STATION
- RCA/FUEL AREA HOSE STATION NO INDICATES EL SERVED
- SPRAY VALVE AREA HOSE STATION NO INDICATES EL SERVED

- VALVE LEGEND
- GLOBE
  - GATE
  - BALL OR PLUG
  - BUTTERFLY
  - 3 WAY GLOBE
  - 3 WAY BALL OR PLUG
  - CHECK
  - MOV
  - SOV
  - PNEUMATIC
  - HYDRAULIC
  - SPRING LOADED CHECK OR RELIEF

TO FIRE PROTECTION WATER SYSTEM FM-89B SH.2 (H-1)

TO FIRE PROTECTION WATER SYSTEM FM-89B SH.2 (J-8)

27	REV PER DCR 96-022	VS	JBL
26	SEE ARCHIVE FOR PREVIOUS REVISIONS MAJOR REVISIONS & DIVISIONS TO TWO SHEETS BY DCR 95-233 REV PER DCR 94-195 AND DCR 95-233	VS	JBL
REV.	DESCRIPTION	BY	CHKD APPD

FIRE PROTECTION WATER SYSTEM

Maine Yankee

RELIABLE ELECTRICITY FOR MAINE SINCE 1972

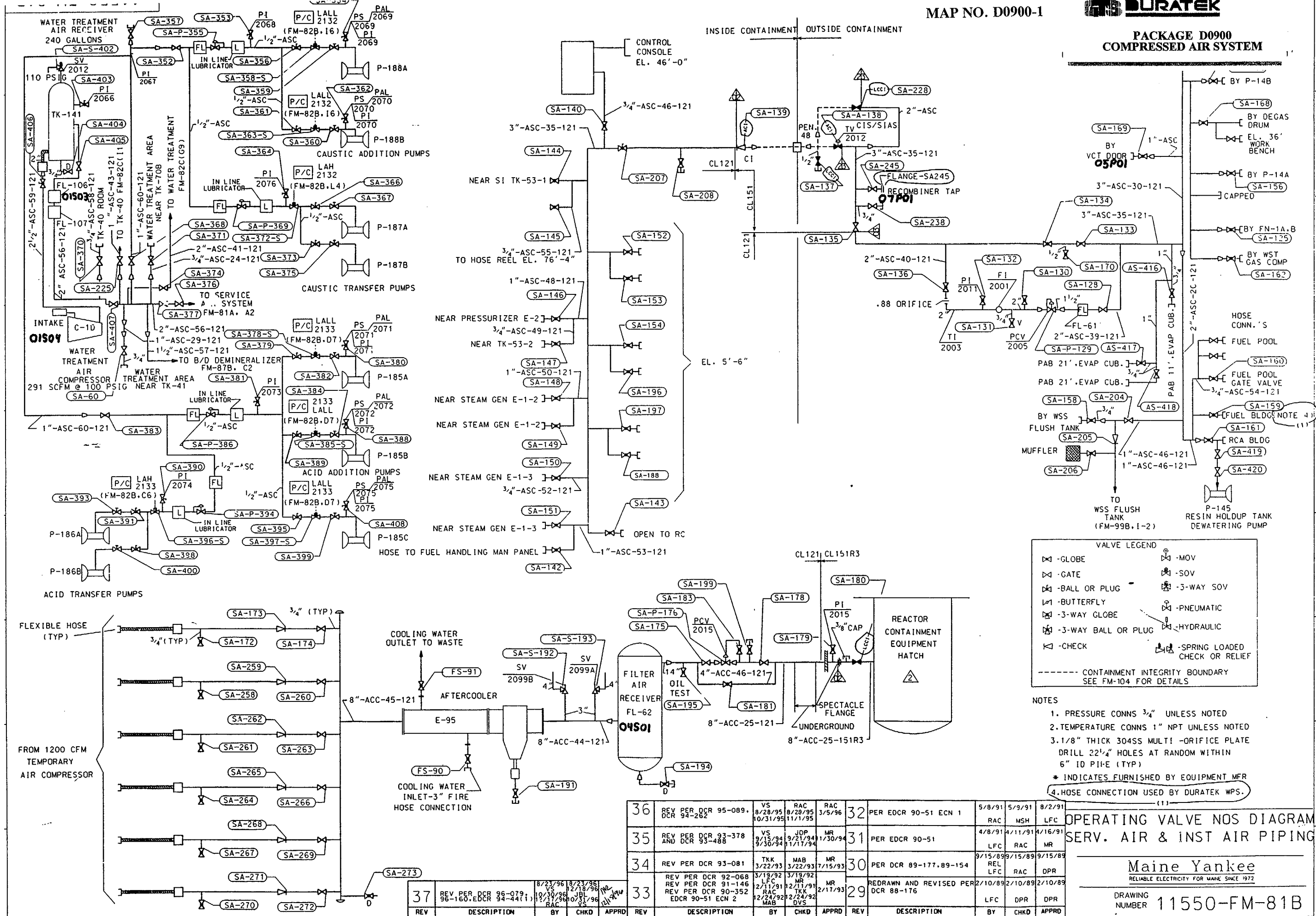
DRAWING NUMBER 11550-FM-89B SH.1







**PACKAGE D0900  
COMPRESSED AIR SYSTEM**



**VALVE LEGEND**

⊗ - GLOBE	⊗ - MOV
⊗ - GATE	⊗ - SOV
⊗ - BALL OR PLUG	⊗ - 3-WAY SOV
⊗ - BUTTERFLY	⊗ - PNEUMATIC
⊗ - 3-WAY GLOBE	⊗ - HYDRAULIC
⊗ - 3-WAY BALL OR PLUG	⊗ - SPRING LOADED CHECK OR RELIEF
⊗ - CHECK	

----- CONTAINMENT INTEGRITY BOUNDARY  
SEE FM-104 FOR DETAILS

- NOTES**
1. PRESSURE CONNS 3/4" UNLESS NOTED
  2. TEMPERATURE CONNS 1" NPT UNLESS NOTED
  3. 1/8" THICK 304SS MULTI-ORIFICE PLATE DRILL 2 1/4" HOLES AT RANDOM WITHIN 6" ID PIPE (TYP)
  - \* INDICATES FURNISHED BY EQUIPMENT MFR
  4. HOSE CONNECTION USED BY DURATEK WPS.

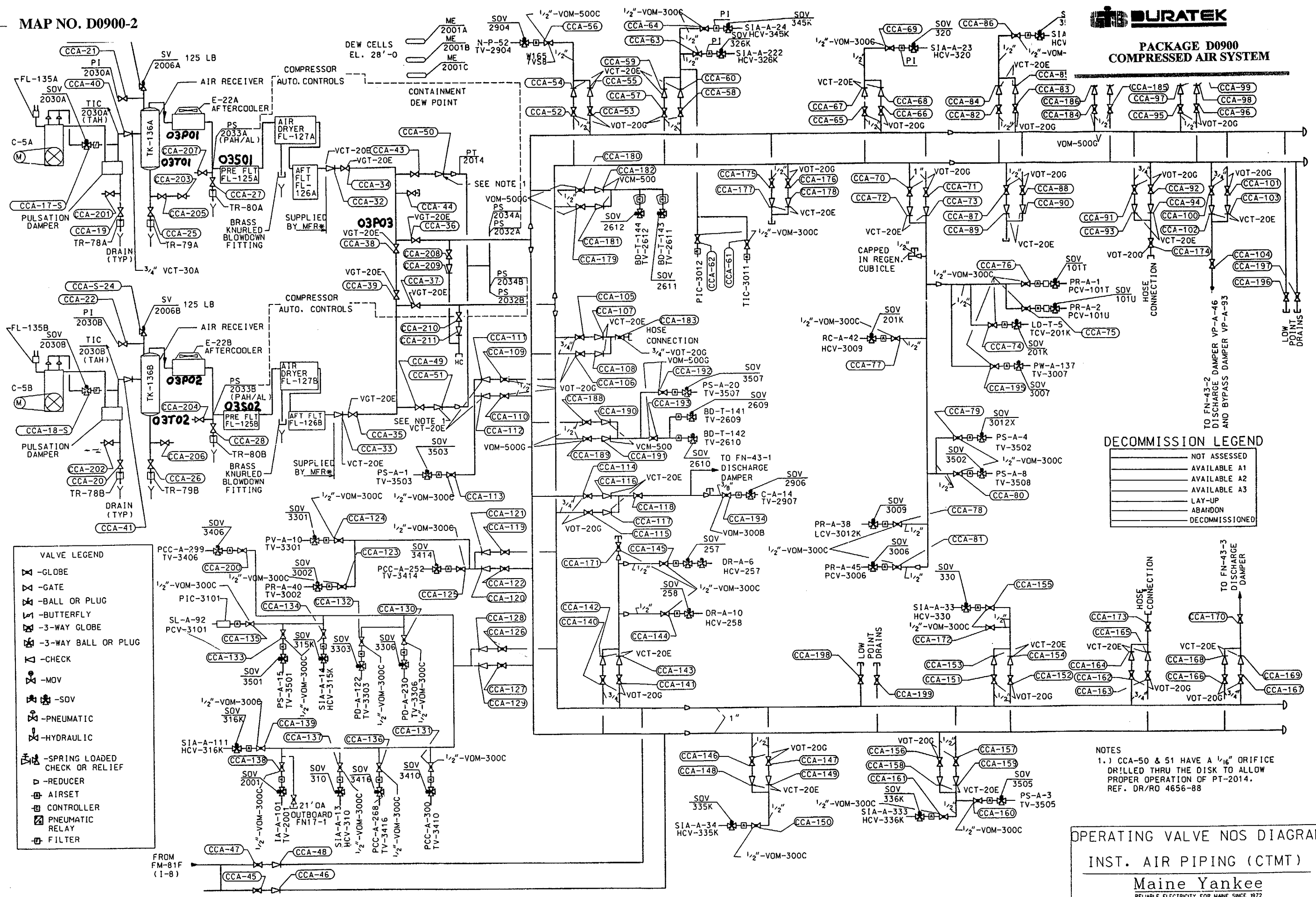
36	REV PER DCR 95-089, DCR 94-262	VS 8/28/95, 10/31/95	RAC 8/29/95, 11/1/95	MR 3/5/96	32	PER EDCR 90-51 ECN 1	5/8/91	5/9/91	8/2/91
35	REV PER DCR 93-378 AND DCR 93-488	VS 9/15/94, 9/30/94	JOP 9/21/94, 11/17/94	MR 1/30/94	31	PER EDCR 90-51	4/8/91	4/11/91	4/16/91
34	REV PER DCR 93-081	TKK 3/22/93	MAB 3/22/93	MR 7/15/93	30	PER DCR 89-177, 89-154	9/15/89	9/15/89	9/15/89
37	REV PER DCR 96-079, 96-160, EDCR 94-441	VS 8/23/96, 10/17/96, 10/31/96	RAC 8/23/96, 10/31/96	MR 10/31/96	33	REV PER DCR 92-068, 91-146, EDCR 90-51 ECN 2	3/19/92, 2/11/91, 12/24/92	3/19/92, 2/11/91, 2/24/92	2/17/93
33	REV PER DCR 92-068, 91-146, EDCR 90-51 ECN 2	VS 3/19/92, 2/11/91, 12/24/92	RAC 3/19/92, 2/11/91, 2/24/92	MR 2/17/93	29	REDRAWN AND REVISED PER DCR 88-176	2/10/89	2/10/89	2/10/89

**OPERATING VALVE NOS DIAGRAM  
SERV. AIR & INST AIR PIPING**

**Maine Yankee**  
RELIABLE ELECTRICITY FOR MAINE SINCE 1972

DRAWING NUMBER **11550-FM-81B**

PACKAGE D0900  
COMPRESSED AIR SYSTEM



**VALVE LEGEND**

- GLOBE
- GATE
- BALL OR PLUG
- BUTTERFLY
- 3-WAY GLOBE
- 3-WAY BALL OR PLUG
- CHECK
- MOV
- SOV
- PNEUMATIC
- HYDRAULIC
- SPRING LOADED CHECK OR RELIEF
- REDUCER
- AIRSET
- CONTROLLER
- PNEUMATIC RELAY
- FILTER

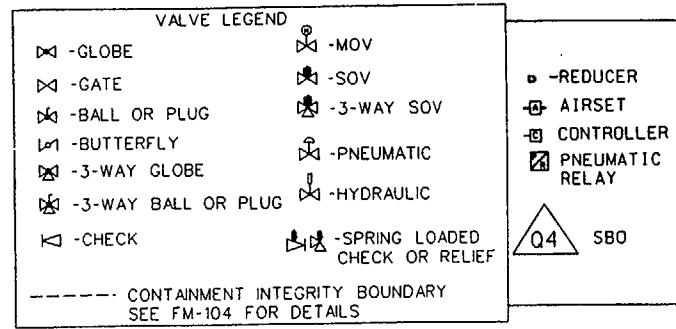
**DECOMMISSION LEGEND**

- NOT ASSESSED
- AVAILABLE A1
- AVAILABLE A2
- AVAILABLE A3
- LAY-UP
- ABANDON
- DECOMMISSIONED

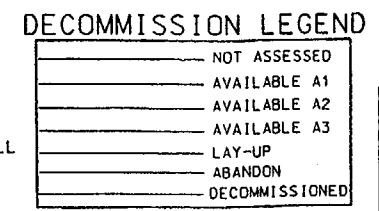
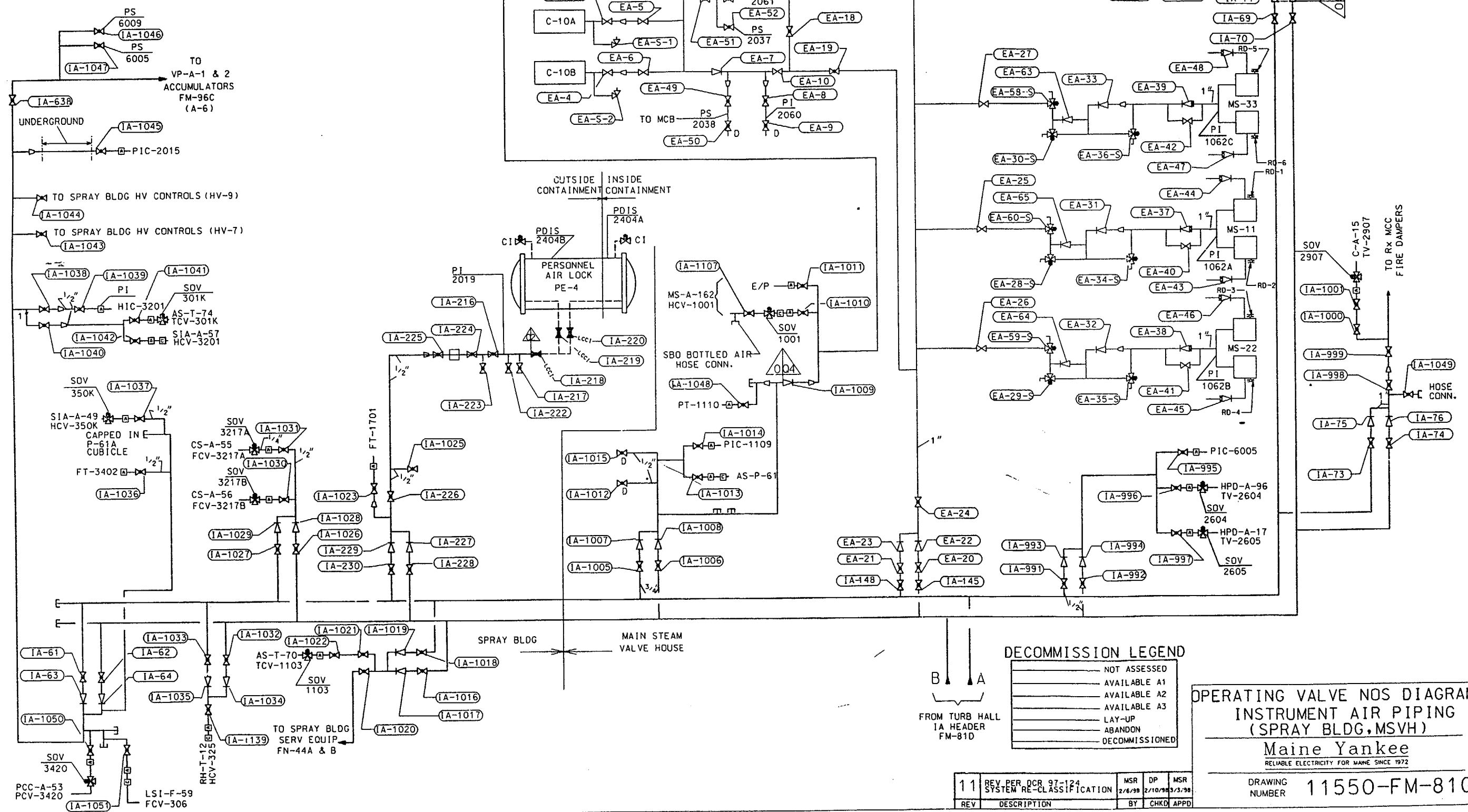
NOTES  
 1.) CCA-50 & 51 HAVE A 1/16" ORIFICE DRILLED THRU THE DISK TO ALLOW PROPER OPERATION OF PT-2014. REF. DR/RO 4656-88

**OPERATING VALVE NOS DIAGRAM**  
 INST. AIR PIPING (CTMT)  
**Maine Yankee**  
RELIABLE ELECTRICITY FOR MAINE SINCE 1972  
 DRAWING NUMBER 11550-FM-81H

11	REV PER DCR 97-145 SYSTEM RE-CLASSIFICATION	2/9/98 MSR	2/23/98 PH	3/3/98 MSR
REV	DESCRIPTION	DRAWN	CHKD	APPRD



**PACKAGE D0900 COMPRESSED AIR SYSTEM**



**OPERATING VALVE NOS DIAGRAM**  
**INSTRUMENT AIR PIPING**  
**(SPRAY BLDG, MSVH)**  
**Maine Yankee**  
RELIABLE ELECTRICITY FOR MAINE SINCE 1972

11	REV PER DCR 97-124	MSR	DP	MSR
REV	DESCRIPTION	BY	CHKD	APPD

DRAWING NUMBER **11550-FM-81G**

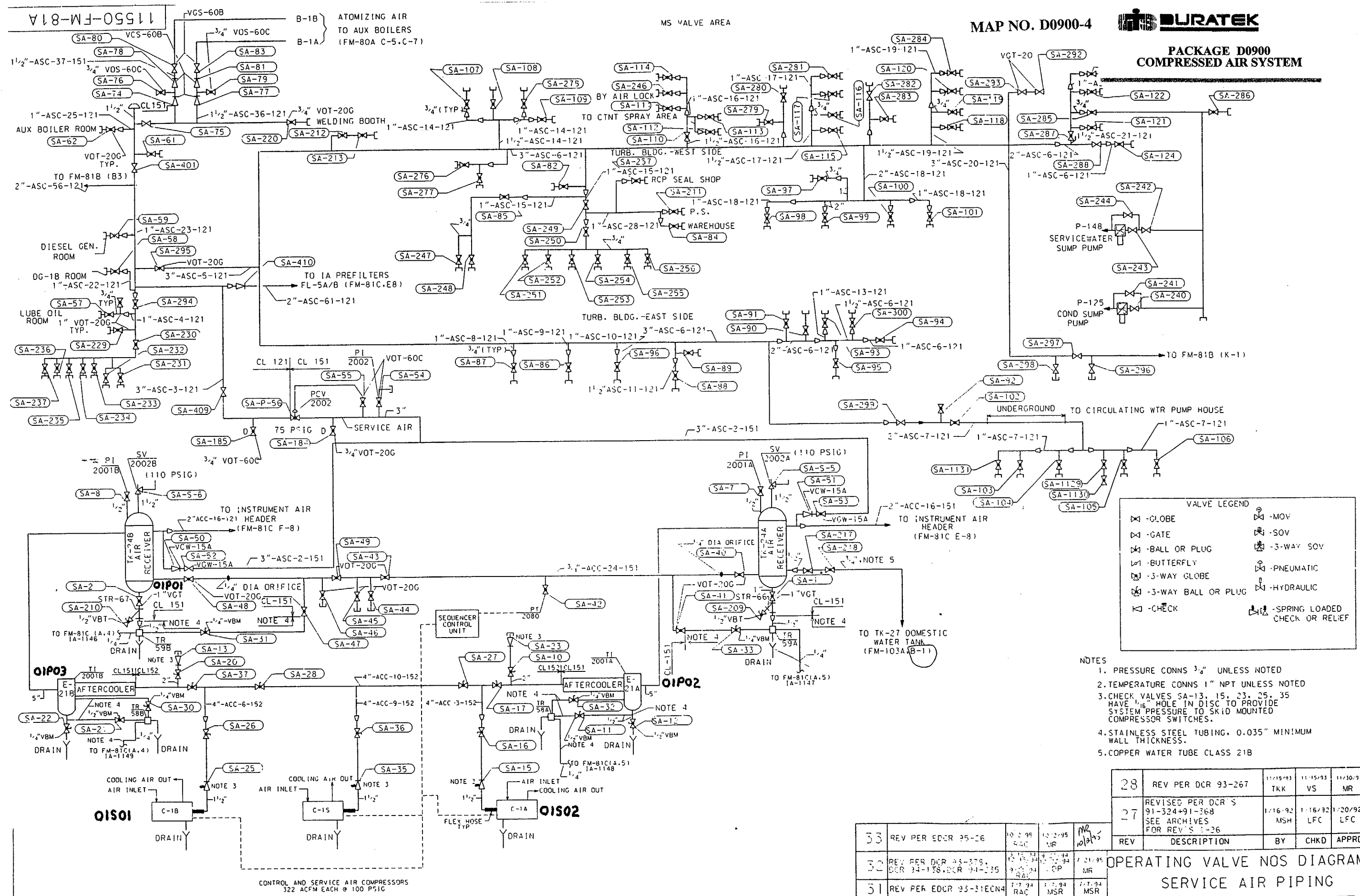
11550-FM-81A

MS VALVE AREA

MAP NO. D0900-4



PACKAGE D0900  
COMPRESSED AIR SYSTEM



VALVE LEGEND

	-GLOBE		-MOV
	-GATE		-SOV
	-BALL OR PLUG		-3-WAY SOV
	-BUTTERFLY		-PNEUMATIC
	-3-WAY GLOBE		-HYDRAULIC
	-3-WAY BALL OR PLUG		-SPRING LOADED CHECK OR RELIEF
	-CHECK		

- NOTES
1. PRESSURE CONNS 3/4" UNLESS NOTED
  2. TEMPERATURE CONNS 1" NPT UNLESS NOTED
  3. CHECK VALVES SA-13, 15, 23, 25, 35 HAVE 1/16" HOLE IN DISC TO PROVIDE SYSTEM PRESSURE TO SKID MOUNTED COMPRESSOR SWITCHES.
  4. STAINLESS STEEL TUBING, 0.035" MINIMUM WALL THICKNESS.
  5. COPPER WATER TUBE CLASS 21B

28	REV PER DCR 93-267	TKK	VS	MR
27	REVISED PER DCR'S 91-324+91-368 SEE ARCHIVES FOR REV'S 1-26	MSH	LFC	LFC
REV	DESCRIPTION	BY	CHKD	APPRD

33	REV PER EDCR 95-26	10/2/95	10/2/95	MR
32	REV PER DCR 93-379, DCR 94-138, DCR 94-235	10/2/94	10/2/94	MR
31	REV PER EDCR 93-31ECN4	7/7/94	7/7/94	MSR
30	REV PER DCR 94-20 AND PER EDCR 97-21 ECN5	4/8/94	5/13/94	VS
29	REV PER EDCR 93-31	12/21/93	12/22/93	MSR
REV	DESCRIPTION	BY	CHKD	APPRD

OPERATING VALVE NOS DIAGRAM  
SERVICE AIR PIPING

Maine Yankee  
RELIABLE ELECTRICITY FOR MAINE SINCE 1972

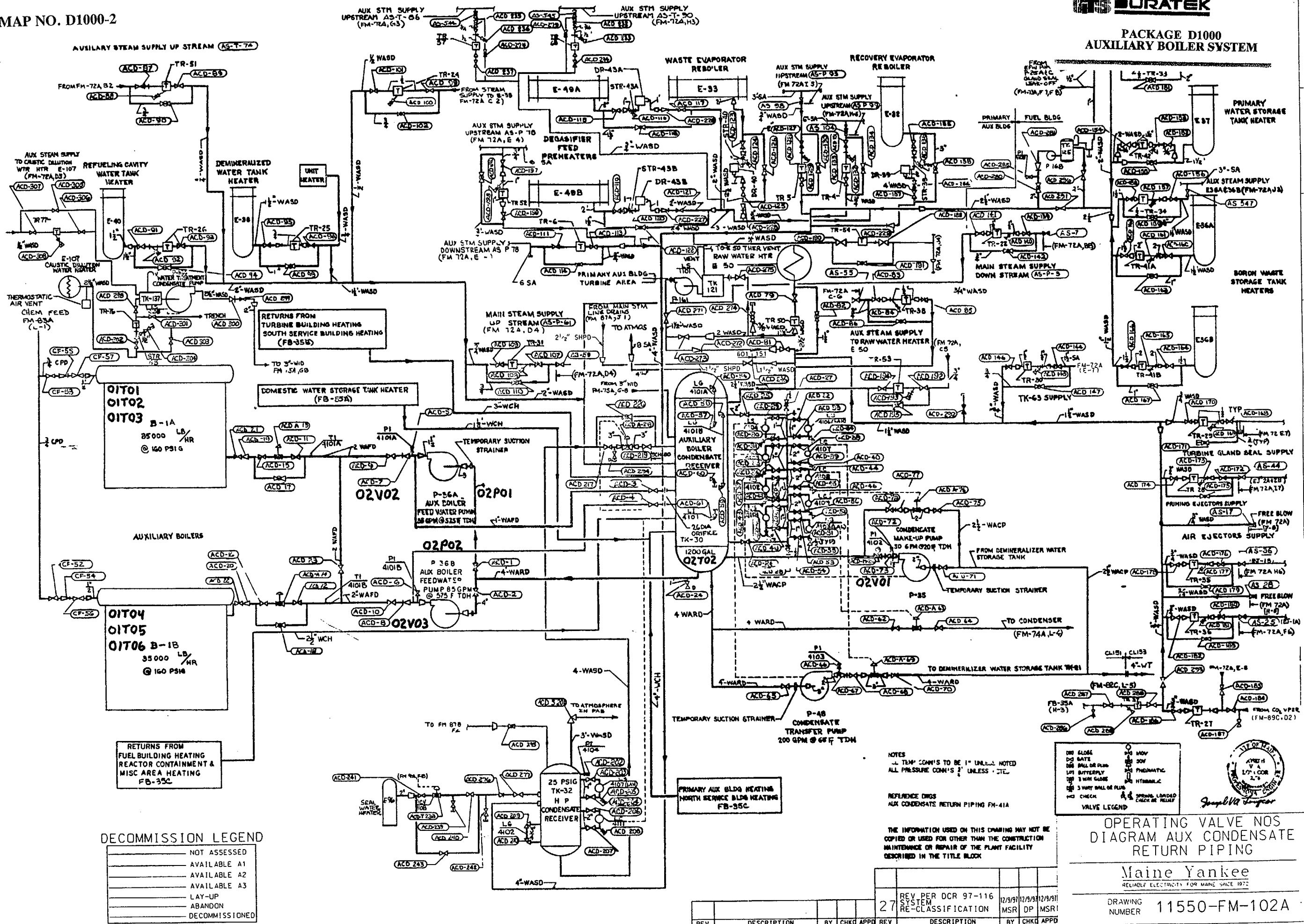
DRAWING NUMBER 11550-FM-81A

CONTROL AND SERVICE AIR COMPRESSORS  
322 ACFM EACH @ 100 PSIG





PACKAGE D1000  
AUXILIARY BOILER SYSTEM



**DECOMMISSION LEGEND**

---	NOT ASSESSED
---	AVAILABLE A1
---	AVAILABLE A2
---	AVAILABLE A3
---	LAY-UP
---	ABANDON
---	DECOMMISSIONED

NOTES  
 - TEMP. CONN'S TO BE 1" UNLESS NOTED  
 ALL PRESSURE CONN'S 2" UNLESS NOTED

REFERENCE DRGS  
 AUX CONDENSATE RETURN PIPING FM-41A

THE INFORMATION USED ON THIS DRAWING MAY NOT BE COPIED OR USED FOR OTHER THAN THE CONSTRUCTION MAINTENANCE OR REPAIR OF THE PLANT FACILITY DESCRIBED IN THE TITLE BLOCK

**OPERATING VALVE NOS  
 DIAGRAM AUX CONDENSATE  
 RETURN PIPING**

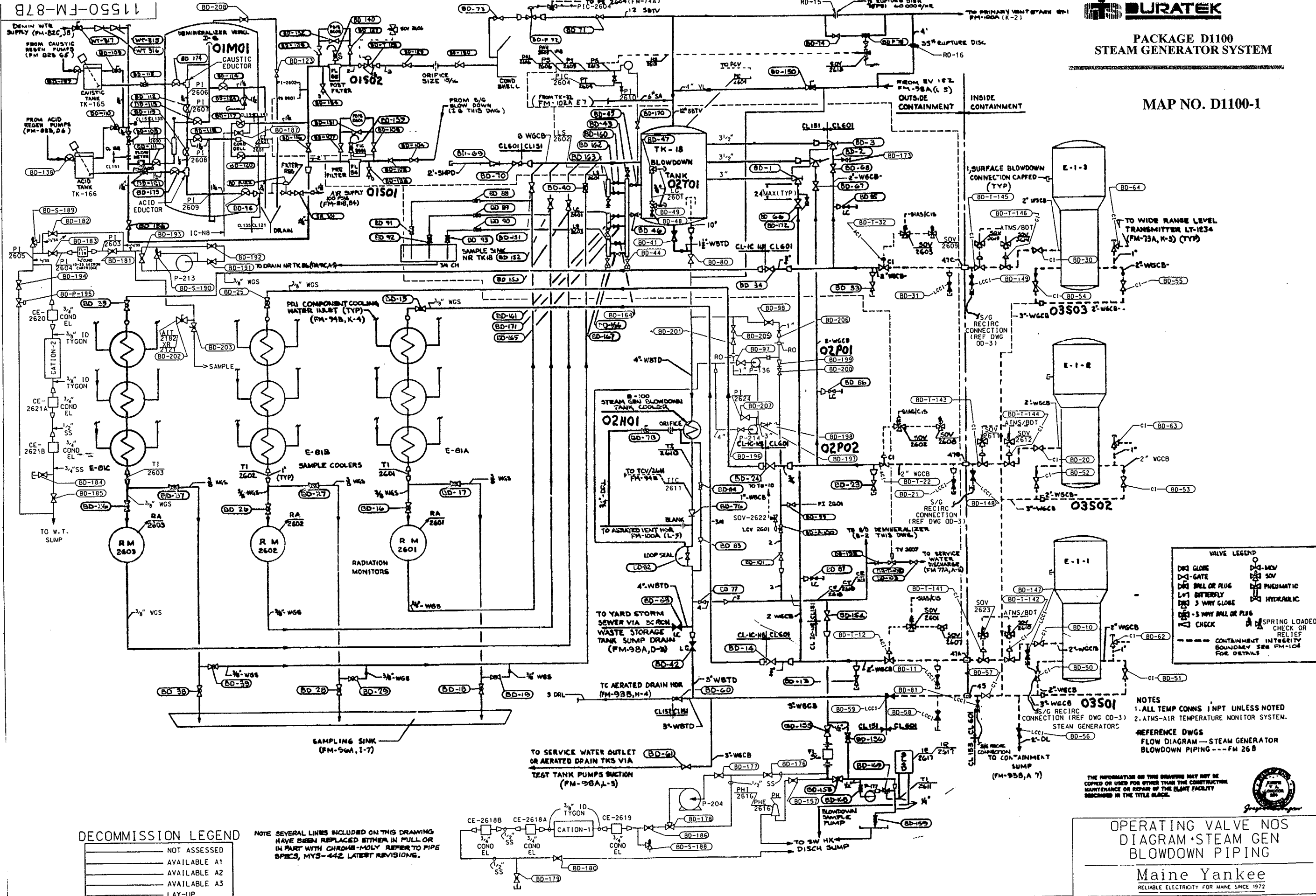
Maine Yankee  
 RELIABLE ELECTRICITY FOR MAINE SINCE 1972

DRAWING NUMBER 11550-FM-102A

27	REV PER DCR 97-116	12/9/97	12/9/97	12/9/97
	SYSTEM	MSR	OP	MSR
	RE-CLASSIFICATION			

REV	DESCRIPTION	BY	CHKD	APPD	REV	DESCRIPTION	BY	CHKD	APPD
-----	-------------	----	------	------	-----	-------------	----	------	------





**DECOMMISSION LEGEND**

---	NOT ASSESSED
---	AVAILABLE A1
---	AVAILABLE A2
---	AVAILABLE A3
---	LAY-UP
---	ABANDON
---	DECOMMISSIONED

NOTE SEVERAL LINES INCLUDED ON THIS DRAWING HAVE BEEN REPLACED EITHER IN FULL OR IN PART WITH CHROME-MOLY REFER TO PIPE SPECS, MYS-442 LATEST REVISIONS.

**VALVE LEGEND**

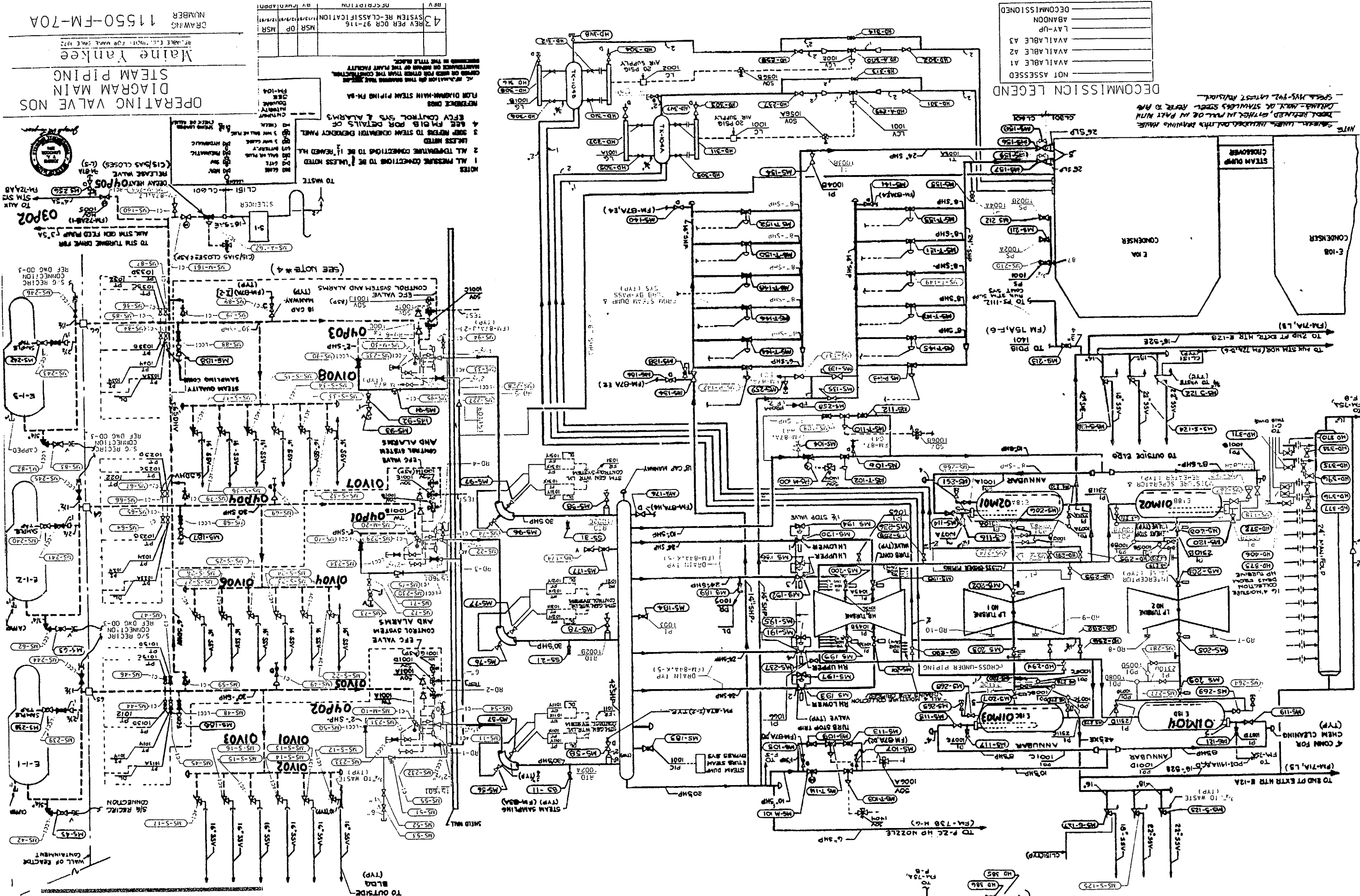
○	GLUE	○	MOV
□	GATE	○	SOV
○	BALL OR PLUG	○	PHI
○	DIAPHRAGM	○	HYDRAULIC
○	3 WAY GLOBE	○	SPRING LOADED
○	3 WAY BALL OR PLUG	○	CHECK OR RELIEF
○	CHECK	---	BOUNDARY SEE FM-100A FOR DETAILS

**NOTES**  
 1. ALL TEMP CONNS 1 INPT UNLESS NOTED  
 2. ATMS-AIR TEMPERATURE MONITOR SYSTEM.  
**REFERENCE DWGS**  
 FLOW DIAGRAM-STEAM GENERATOR BLOWDOWN PIPING-FM 26 B

**OPERATING VALVE NOS  
 DIAGRAM-STEAM GEN  
 BLOWDOWN PIPING**  
 Maine Yankee  
 RELIABLE ELECTRICITY FOR MAINE SINCE 1972

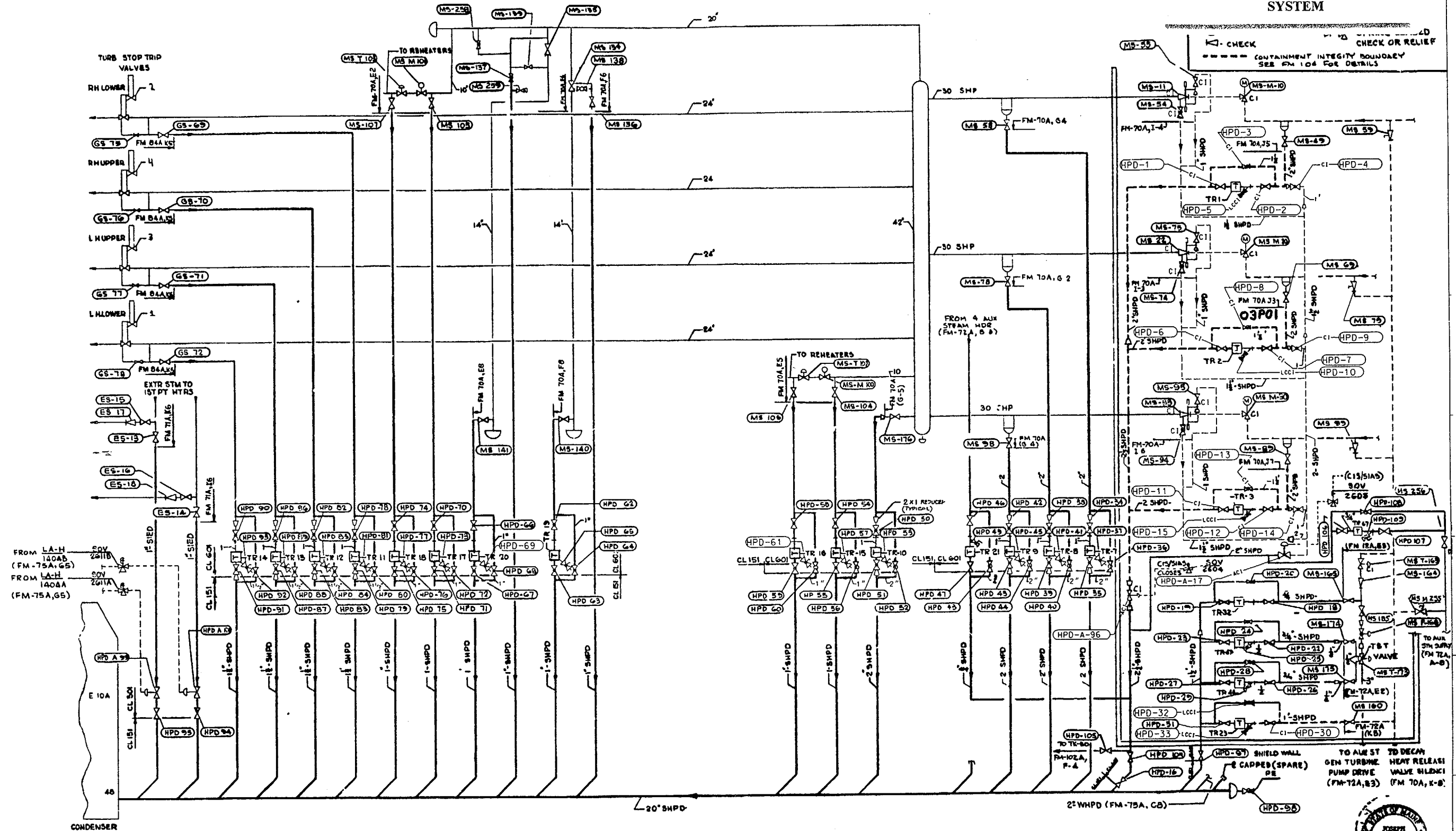
40	REV PER DCR 97-148	2/23/98	3/3/98	3/4/98
REV	DESCRIPTION	BY	CHKD	APPD

DRAWING NUMBER 11550-FM-87B



NOTE: SHEATH LINES, INCLUDING ALL THE DRAWING LINES  
DRAWN, RETAINED, EITHER IN FULL OR IN PART WITH  
SHEATH LINES, LATEST REVISION.





**DECOMMISSION LEGEND**

————	NOT ASSESSED
————	AVAILABLE A1
————	AVAILABLE A2
————	AVAILABLE A3
————	LAY-UP
————	ABANDON
————	DECOMMISSIONED

**NOTE:** SEVERAL LINES INCLUDED ON THIS DRAWING HAVE BEEN REPLACED, EITHER IN FULL OR IN PART WITH CHROME-MOLY OR STAINLESS STEEL. REFER TO PIPE SPECS M45-442 LATEST REVISION.

REFERENCE DWGS  
FLOW DIAGRAM-SECONDARY HP DRAIN PIPING  
FM 26A

THE INFORMATION ON THIS DRAWING MAY NOT BE COPIED OR USED FOR OTHER THAN THE CONSTRUCTION, MAINTENANCE OR REPAIR OF THE PLANT FACILITY DESCRIBED IN THE TITLE BLOCK.

OPERATING VALVE NOS  
DIAGRAM SECONDARY  
HP DRAIN PIPING  
Maine Yankee  
RELIABLE ELECTRICITY FOR MAINE SINCE 1972

26	REV PER DCR 97-116	11/14/91	12/9/91	12/9/91
REV	DESCRIPTION	BY	CHKD	APPD

DRAWING NUMBER 11550-FM-87A



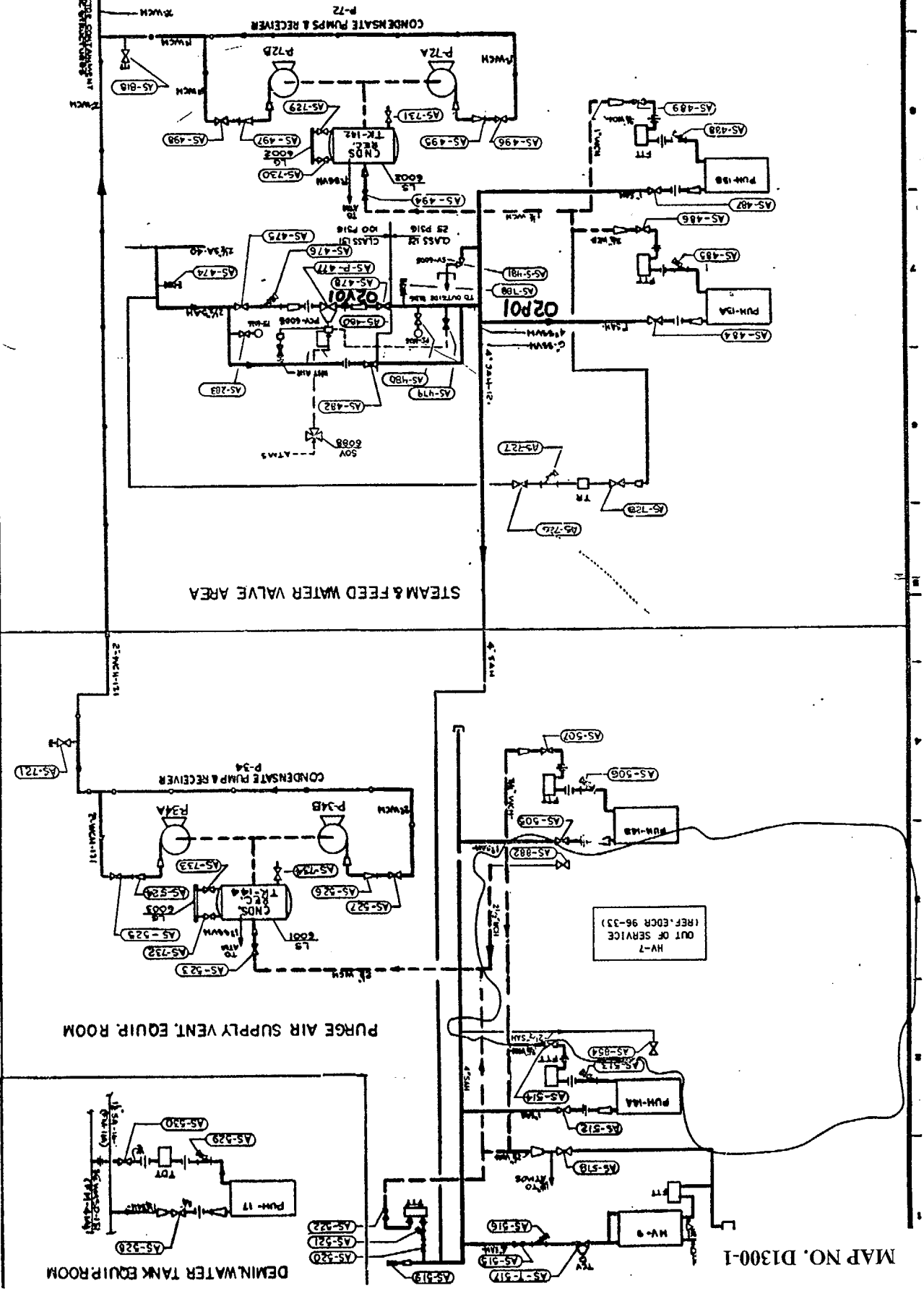
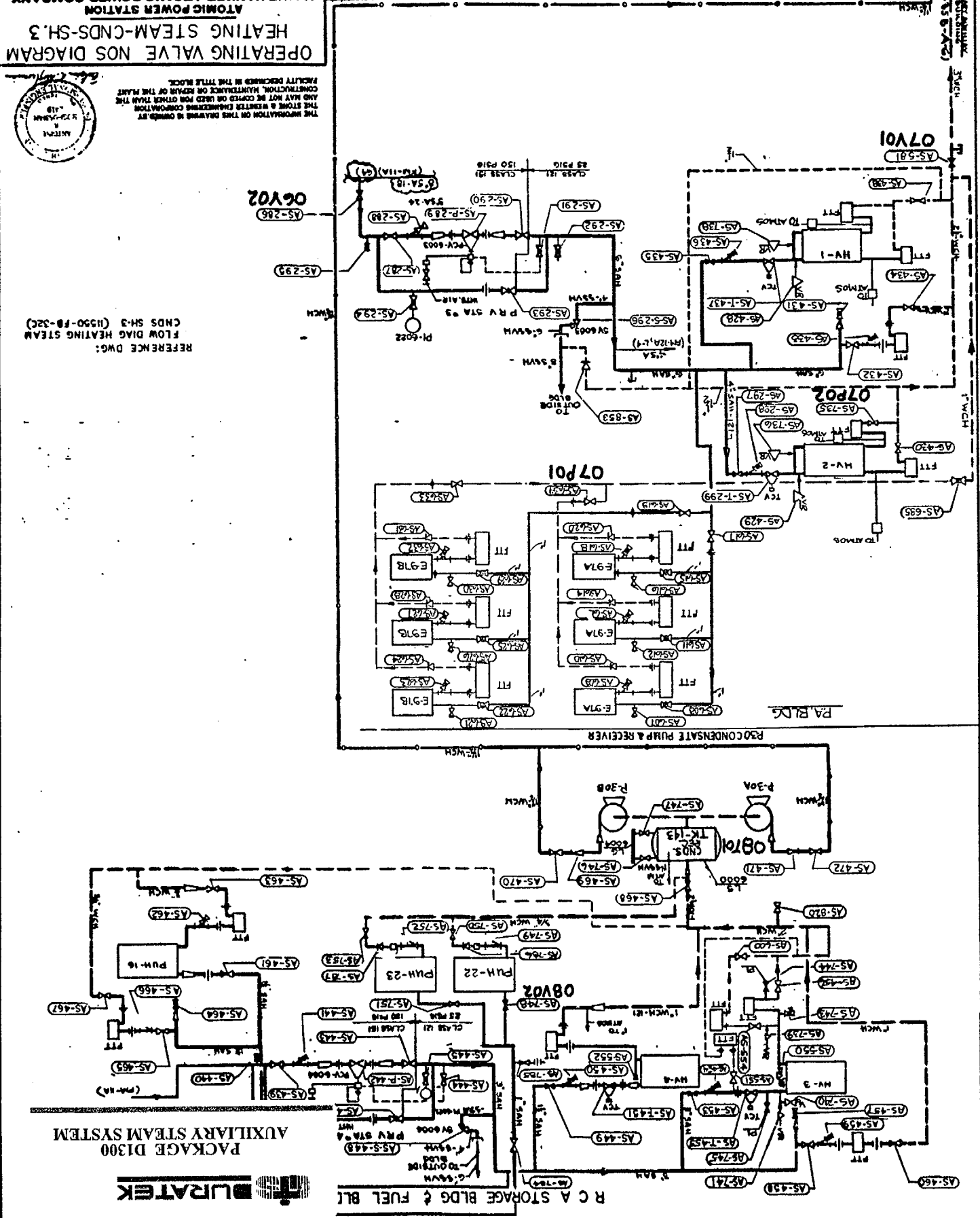
14	PER DCR 92-289 #	REV. PER DCR 90-255	13	REV. PER DCR 89-225	12	REV. PER DCR 89-225	11	PER DCR 89-225	10	REV. PER DCR 89-225	9	REV. PER DCR 89-225	8	REV. PER DCR 89-225	7	REV. PER DCR 89-225	6	REV. PER DCR 89-225	5	REV. PER DCR 89-225	4	REV. PER DCR 89-225	3	REV. PER DCR 89-225	2	REV. PER DCR 89-225	1	REV. PER DCR 89-225
----	------------------	---------------------	----	---------------------	----	---------------------	----	----------------	----	---------------------	---	---------------------	---	---------------------	---	---------------------	---	---------------------	---	---------------------	---	---------------------	---	---------------------	---	---------------------	---	---------------------

**OPERATING VALVE NOS DIAGRAM**  
HEATING STEAM-CNDS-SH.3  
ATOMIC POWER STATION  
MAINE Yankee Atomic Power Company  
WISCONSSETT, MAINE  
STONE & WEBSTER ENGINEERING CORPORATION  
GENERAL NAME  
11550-F-B-35C

THE INFORMATION ON THIS DRAWING IS OWNED BY THE STONE & WEBSTER ENGINEERING CORPORATION AND MAY NOT BE COPIED OR USED FOR OTHER THAN THE CONNECTIONAL MAINTENANCE OR REPAIR OF THE PLANT FACILITY DESCRIBED IN THE TITLE BLOCK.

REFERENCE DWG:  
FLOW DIAG HEATING STEAM  
CNDS SH-3 (11550-FB-32C)

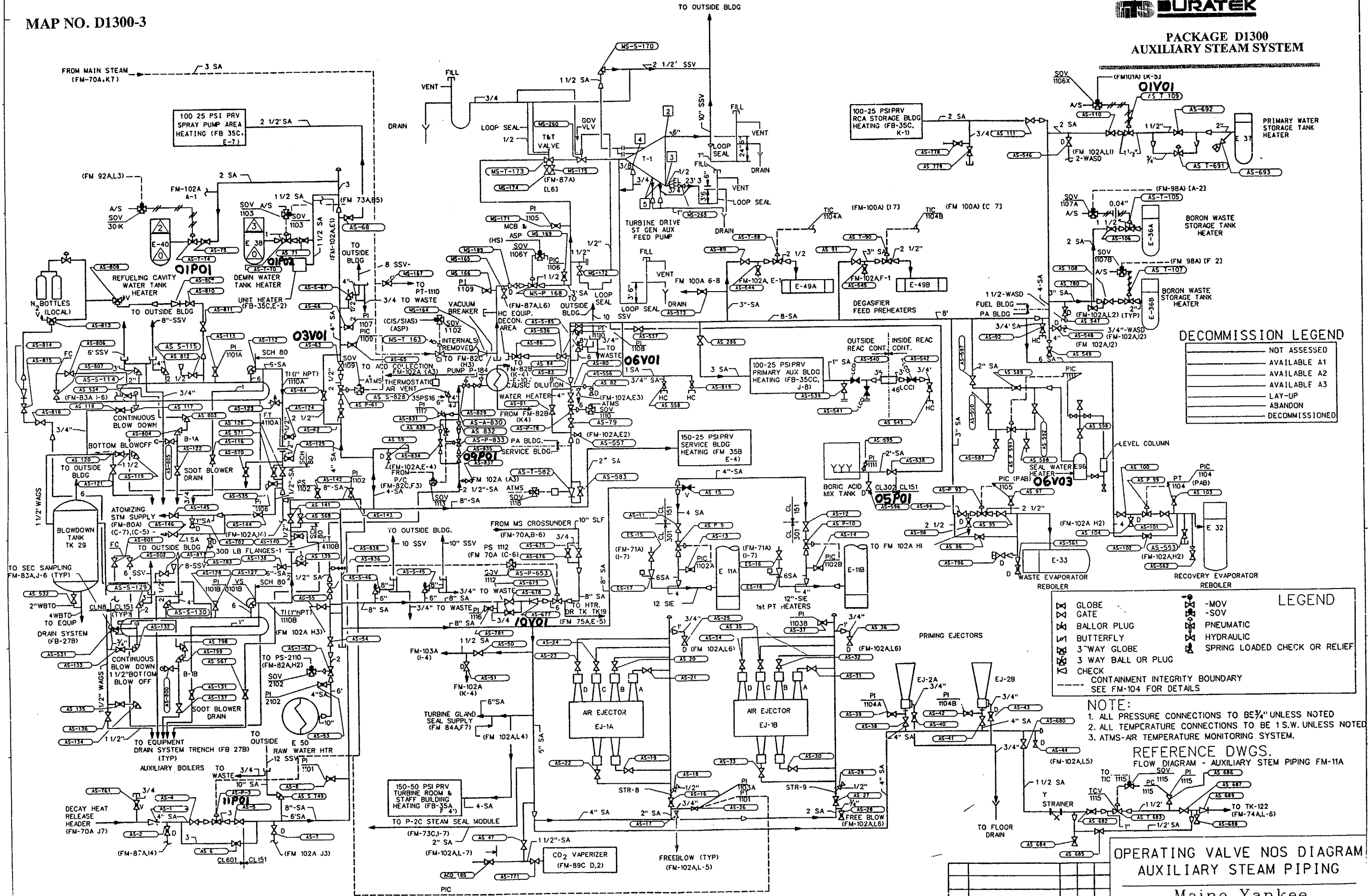
NO.	DESCRIPTION	DATE	BY	CHKD.	APPD.
14	PER DCR 92-289 #				
13	REV. PER DCR 90-255				
12	REV. PER DCR 89-225				
11	PER DCR 89-225				
10	REV. PER DCR 89-225				
9	REV. PER DCR 89-225				
8	REV. PER DCR 89-225				
7	REV. PER DCR 89-225				
6	REV. PER DCR 89-225				
5	REV. PER DCR 89-225				
4	REV. PER DCR 89-225				
3	REV. PER DCR 89-225				
2	REV. PER DCR 89-225				
1	REV. PER DCR 89-225				



MAP NO. D1300-1







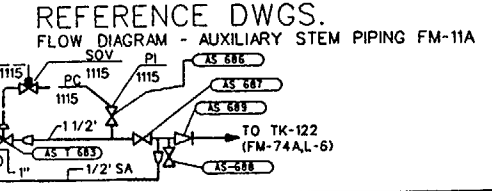
**DECOMMISSION LEGEND**

---	NOT ASSESSED
---	AVAILABLE A1
---	AVAILABLE A2
---	AVAILABLE A3
---	LAY-UP
---	ABANDON
---	DECOMMISSIONED

**LEGEND**

	GLOBE		-MOV
	GATE		-SOV
	BALLOR PLUG		PNEUMATIC
	BUTTERFLY		HYDRAULIC
	3 WAY GLOBE		SPRING LOADED CHECK OR RELIEF
	3 WAY BALL OR PLUG		
	CHECK		
--- CONTAINMENT INTEGRITY BOUNDARY SEE FM-104 FOR DETAILS			

**NOTE:**  
 1. ALL PRESSURE CONNECTIONS TO BE 3/4" UNLESS NOTED  
 2. ALL TEMPERATURE CONNECTIONS TO BE 1 S.W. UNLESS NOTED  
 3. ATMS-AIR TEMPERATURE MONITORING SYSTEM.



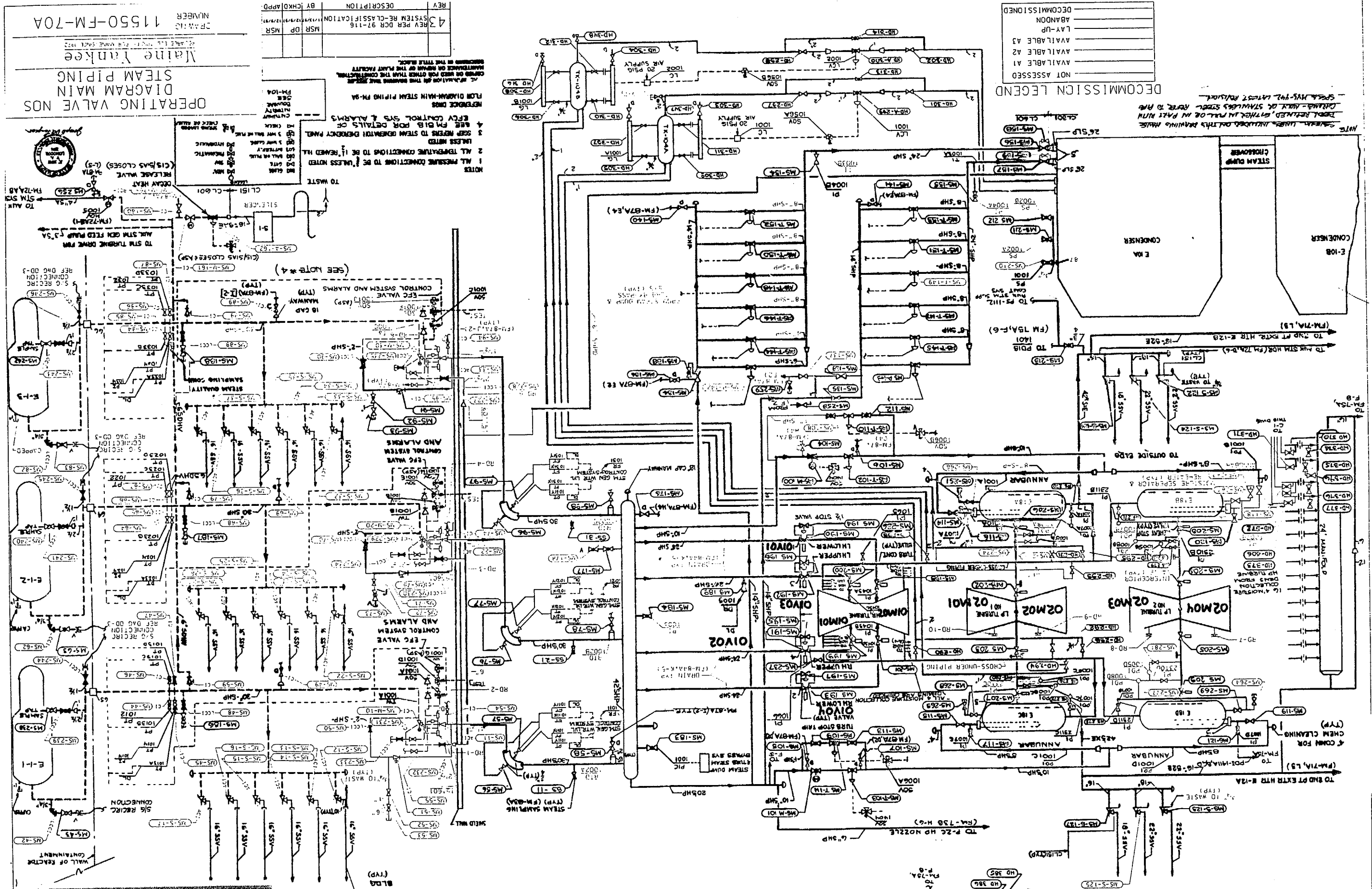
**OPERATING VALVE NOS DIAGRAM  
AUXILIARY STEAM PIPING**

48	REV PER DCR 97-148 SYSTEM RE-CLASSIFICATION	MSR	PH	MSR
47	REV PER DCR 97-116 SYSTEM RE-CLASSIFICATION	MSR	DP	MSR
REV.	DESCRIPTION	BY	CHKD	APPD

Maine Yankee  
 RELIABLE ELECTRICITY FOR MAINE SINCE 1972  
 DRAWING NUMBER 11550-FM-72A



**PACKAGE D1400  
MAIN TURBINE AND TURBINE  
CONTROL SYSTEM**

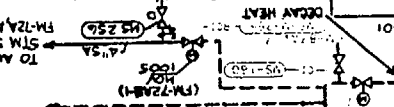


**DECOMMISSION LEGEND**

- NOT ASSESSED
- AVAILABLE A1
- AVAILABLE A2
- AVAILABLE A3
- LAY-UP
- ABANDON
- DECOMMISSIONED

**OPERATING VALVE NOS  
DIAGRAM MAIN  
STEAM PIPING**

- 1 ALL TEMPERATURE CONNECTIONS TO BE UNLESS NOTED
- 2 ALL TEMPERATURE CONNECTIONS TO BE UNLESS NOTED
- 3 SEE NOTES TO STEAM DETAIL ON DECOMMISSION PANEL
- 4 SEE P&ID FOR DETAILS OF EFC CONTROL SYS & ALARMS
- 5 SEE P&ID FOR DETAILS OF EFC CONTROL SYS & ALARMS



NOTES

- 1 ALL TEMPERATURE CONNECTIONS TO BE UNLESS NOTED
- 2 ALL TEMPERATURE CONNECTIONS TO BE UNLESS NOTED
- 3 SEE NOTES TO STEAM DETAIL ON DECOMMISSION PANEL
- 4 SEE P&ID FOR DETAILS OF EFC CONTROL SYS & ALARMS
- 5 SEE P&ID FOR DETAILS OF EFC CONTROL SYS & ALARMS

REFERENCE DROPS

CONTROL SYSTEM AND ALARMS

CONTROL SYSTEM AND ALARMS

CONTROL SYSTEM AND ALARMS

CONTROL SYSTEM AND ALARMS

CONTROL SYSTEM AND ALARMS

CONTROL SYSTEM AND ALARMS

CONTROL SYSTEM AND ALARMS

CONTROL SYSTEM AND ALARMS

CONTROL SYSTEM AND ALARMS

CONTROL SYSTEM AND ALARMS

CONTROL SYSTEM AND ALARMS

CONTROL SYSTEM AND ALARMS

CONTROL SYSTEM AND ALARMS

CONTROL SYSTEM AND ALARMS

CONTROL SYSTEM AND ALARMS

CONTROL SYSTEM AND ALARMS

CONTROL SYSTEM AND ALARMS

CONTROL SYSTEM AND ALARMS

CONTROL SYSTEM AND ALARMS

CONTROL SYSTEM AND ALARMS

CONTROL SYSTEM AND ALARMS

CONTROL SYSTEM AND ALARMS

CONTROL SYSTEM AND ALARMS

CONTROL SYSTEM AND ALARMS

CONTROL SYSTEM AND ALARMS

CONTROL SYSTEM AND ALARMS

CONTROL SYSTEM AND ALARMS

CONTROL SYSTEM AND ALARMS

CONTROL SYSTEM AND ALARMS

CONTROL SYSTEM AND ALARMS

CONTROL SYSTEM AND ALARMS

CONTROL SYSTEM AND ALARMS

CONTROL SYSTEM AND ALARMS

CONTROL SYSTEM AND ALARMS

CONTROL SYSTEM AND ALARMS

CONTROL SYSTEM AND ALARMS

CONTROL SYSTEM AND ALARMS

CONTROL SYSTEM AND ALARMS

CONTROL SYSTEM AND ALARMS

CONTROL SYSTEM AND ALARMS

CONTROL SYSTEM AND ALARMS

CONTROL SYSTEM AND ALARMS

REV	DESCRIPTION	BY	CHKD	APPD
43	REV PER DCR 97-116 SYSTEM RE-CLASSIFICATION	MSR	DP	MSR

PROJECT NO. 11550-FM-70A

PROJECT NAME: Maine Yankee

OPERATING VALVE NOS  
DIAGRAM MAIN  
STEAM PIPING

NOTES

- 1 ALL TEMPERATURE CONNECTIONS TO BE UNLESS NOTED
- 2 ALL TEMPERATURE CONNECTIONS TO BE UNLESS NOTED
- 3 SEE NOTES TO STEAM DETAIL ON DECOMMISSION PANEL
- 4 SEE P&ID FOR DETAILS OF EFC CONTROL SYS & ALARMS
- 5 SEE P&ID FOR DETAILS OF EFC CONTROL SYS & ALARMS

REFERENCE DROPS

CONTROL SYSTEM AND ALARMS

CONTROL SYSTEM AND ALARMS

CONTROL SYSTEM AND ALARMS

CONTROL SYSTEM AND ALARMS

CONTROL SYSTEM AND ALARMS

CONTROL SYSTEM AND ALARMS

CONTROL SYSTEM AND ALARMS

CONTROL SYSTEM AND ALARMS

CONTROL SYSTEM AND ALARMS

CONTROL SYSTEM AND ALARMS

CONTROL SYSTEM AND ALARMS

CONTROL SYSTEM AND ALARMS

CONTROL SYSTEM AND ALARMS

CONTROL SYSTEM AND ALARMS

CONTROL SYSTEM AND ALARMS

CONTROL SYSTEM AND ALARMS

CONTROL SYSTEM AND ALARMS

CONTROL SYSTEM AND ALARMS

CONTROL SYSTEM AND ALARMS

CONTROL SYSTEM AND ALARMS

CONTROL SYSTEM AND ALARMS

CONTROL SYSTEM AND ALARMS

CONTROL SYSTEM AND ALARMS

CONTROL SYSTEM AND ALARMS

CONTROL SYSTEM AND ALARMS

CONTROL SYSTEM AND ALARMS

CONTROL SYSTEM AND ALARMS

CONTROL SYSTEM AND ALARMS

CONTROL SYSTEM AND ALARMS

CONTROL SYSTEM AND ALARMS

CONTROL SYSTEM AND ALARMS

CONTROL SYSTEM AND ALARMS

CONTROL SYSTEM AND ALARMS

CONTROL SYSTEM AND ALARMS

CONTROL SYSTEM AND ALARMS

CONTROL SYSTEM AND ALARMS

CONTROL SYSTEM AND ALARMS

CONTROL SYSTEM AND ALARMS

CONTROL SYSTEM AND ALARMS

CONTROL SYSTEM AND ALARMS

CONTROL SYSTEM AND ALARMS

CONTROL SYSTEM AND ALARMS

CONTROL SYSTEM AND ALARMS

CONTROL SYSTEM AND ALARMS

CONTROL SYSTEM AND ALARMS

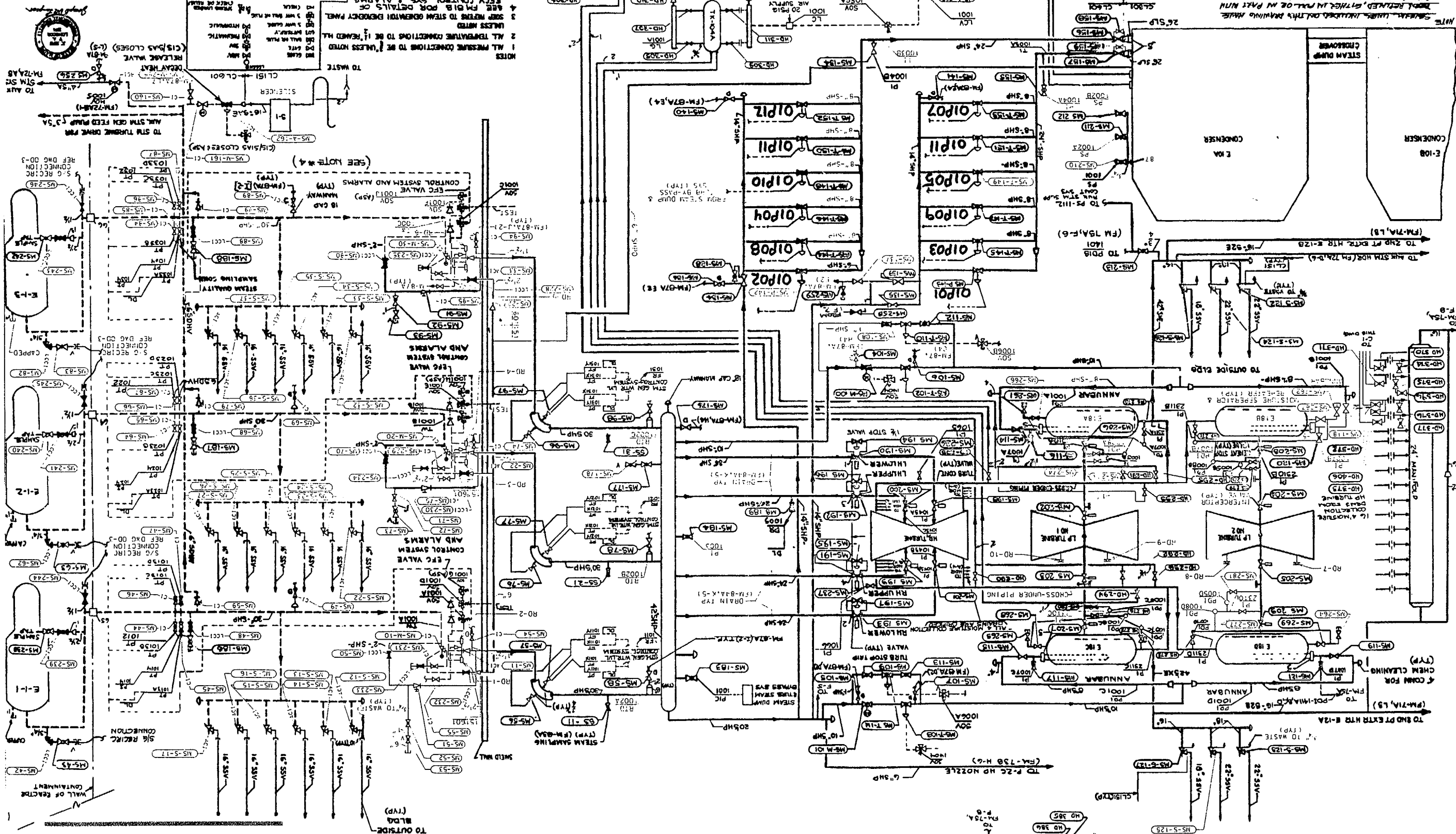
CONTROL SYSTEM AND ALARMS

CONTROL SYSTEM AND ALARMS

CONTROL SYSTEM AND ALARMS



PACKAGE DI500  
STEAM DUMP AND TURBINE  
BYPASS SYSTEM



DECOMMISSION LEGEND

NOT ASSESSED
AVAILABLE A1
AVAILABLE A2
AVAILABLE A3
LAY-UP
ABANDON
DECOMMISSIONED

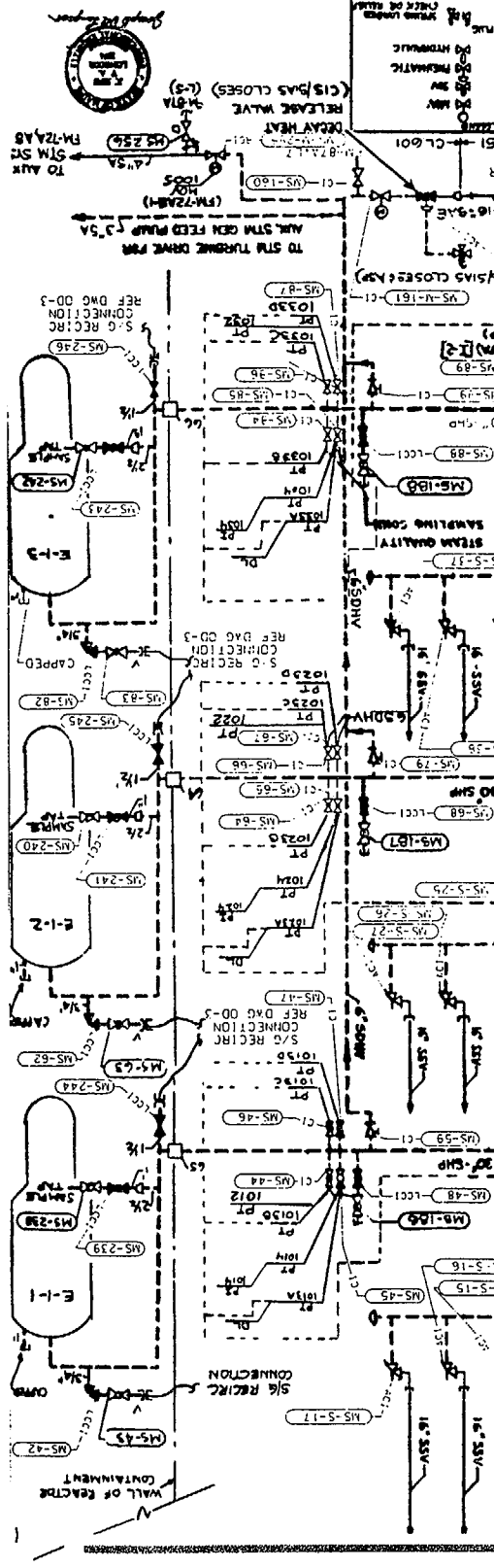
NOTE: SCHEDULED MAINTENANCE ON THIS DRAWING WHILE  
 BEING RETURNED, EITHER IN PART OR IN FULL WITH  
 CHANGES, MUST BE STAMPED WITH REFERENCE TO THIS  
 SPEC. MS-742, LATEST REVISION.

REV	DESCRIPTION	BY	CHKD	APPD
43	SYSTEM RE-CLASSIFICATION	MSR	OP	MSR
42	REV PER DCR 97-116			

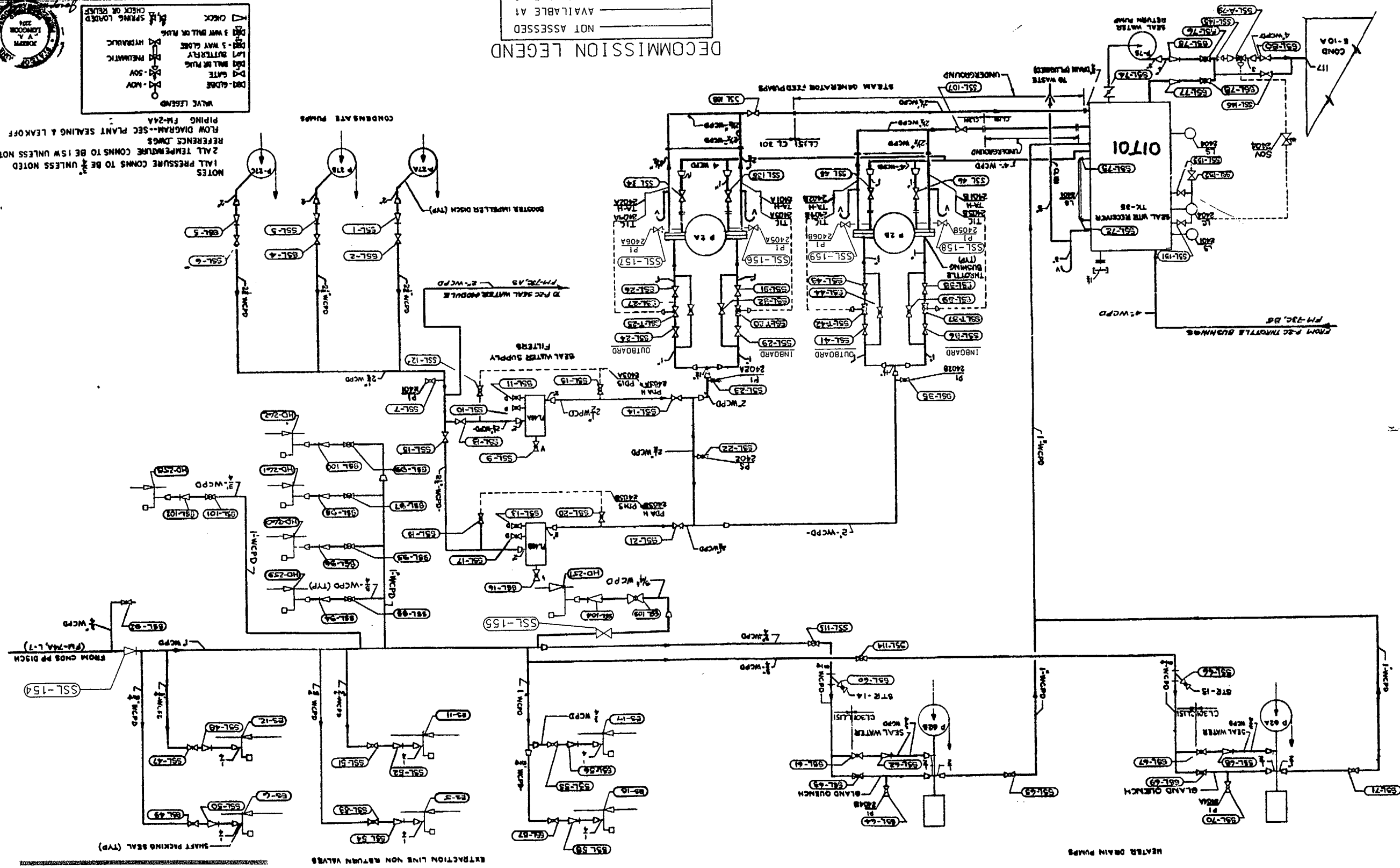
DRAWING NUMBER 11550-FM-70A

OPERATING VALVE NOS  
 DIAGRAM MAIN  
 STEAM PIPING  
 Maine Yankee

- NOTES
- 1 ALL PRESSURE CONNECTIONS TO BE UNLESS NOTED
  - 2 ALL TEMPERATURE CONNECTIONS TO BE UNLESS NOTED
  - 3 SEE NOTES TO STEAM GENERATOR EMERGENCY PANEL
  - 4 SEE PM 618 FOR DETAILS OF
  - 5 EPC CONTROL SYS & ALARMS
- REFERENCE DMS  
 FLOW DIAGRAM MAIN STEAM PIPING FM-74
- REVISIONS  
 1. REVISIONS IN THIS DRAWING SHALL BE MADE  
 MAINTAINED ON BASIS OF THE PLANT FACILITY  
 CENTER OR USED FOR OTHER THAN THE CONNECTION



**PACKAGE D1600  
MAIN FEEDWATER SYSTEM**



**DECOMMISSION LEGEND**

NOT ASSESSED
AVAILABLE A1
AVAILABLE A2
AVAILABLE A3
LAY-UP
ABANDON
DECOMMISSIONED

THE INFORMATION ON THIS DRAWING MAY NOT BE CORRECT OR USED FOR OTHER THAN THE CONTRACTING PURPOSES OF THE PLANT FACILITY MENTIONED IN THE TITLE BLOCK.

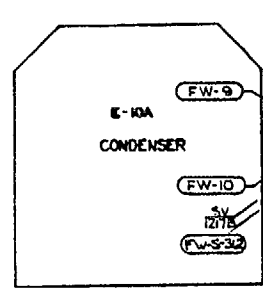
NOTES  
1. ALL PRESSURE COMMS TO BE 1/2" UNLESS NOTED  
2. ALL TEMPERATURE COMMS TO BE 1/2" UNLESS NOTED  
3. REFERENCE DWGS  
4. FLOW DIAGRAM--SEC PLANT SEALING & LEAKOFF PIPING FM-24A  
5. VALVE LEGEND

**VALVE LEGEND**

D-1	MOV
D-2	GATE
D-3	SOV
D-4	SOV
D-5	SOV
D-6	SOV
D-7	SOV
D-8	SOV
D-9	SOV
D-10	SOV
D-11	SOV
D-12	SOV
D-13	SOV
D-14	SOV
D-15	SOV
D-16	SOV
D-17	SOV
D-18	SOV
D-19	SOV
D-20	SOV
D-21	SOV
D-22	SOV
D-23	SOV
D-24	SOV
D-25	SOV
D-26	SOV
D-27	SOV
D-28	SOV
D-29	SOV
D-30	SOV
D-31	SOV
D-32	SOV
D-33	SOV
D-34	SOV
D-35	SOV
D-36	SOV
D-37	SOV
D-38	SOV
D-39	SOV
D-40	SOV
D-41	SOV
D-42	SOV
D-43	SOV
D-44	SOV
D-45	SOV
D-46	SOV
D-47	SOV
D-48	SOV
D-49	SOV
D-50	SOV
D-51	SOV
D-52	SOV
D-53	SOV
D-54	SOV
D-55	SOV
D-56	SOV
D-57	SOV
D-58	SOV
D-59	SOV
D-60	SOV
D-61	SOV
D-62	SOV
D-63	SOV
D-64	SOV
D-65	SOV
D-66	SOV
D-67	SOV
D-68	SOV
D-69	SOV
D-70	SOV
D-71	SOV
D-72	SOV
D-73	SOV
D-74	SOV
D-75	SOV
D-76	SOV
D-77	SOV
D-78	SOV
D-79	SOV
D-80	SOV
D-81	SOV
D-82	SOV
D-83	SOV
D-84	SOV
D-85	SOV
D-86	SOV
D-87	SOV
D-88	SOV
D-89	SOV
D-90	SOV
D-91	SOV
D-92	SOV
D-93	SOV
D-94	SOV
D-95	SOV
D-96	SOV
D-97	SOV
D-98	SOV
D-99	SOV
D-100	SOV
D-101	SOV
D-102	SOV
D-103	SOV
D-104	SOV
D-105	SOV
D-106	SOV
D-107	SOV
D-108	SOV
D-109	SOV
D-110	SOV
D-111	SOV
D-112	SOV
D-113	SOV
D-114	SOV
D-115	SOV
D-116	SOV
D-117	SOV
D-118	SOV
D-119	SOV
D-120	SOV
D-121	SOV
D-122	SOV
D-123	SOV
D-124	SOV
D-125	SOV
D-126	SOV
D-127	SOV
D-128	SOV
D-129	SOV
D-130	SOV
D-131	SOV
D-132	SOV
D-133	SOV
D-134	SOV
D-135	SOV
D-136	SOV
D-137	SOV
D-138	SOV
D-139	SOV
D-140	SOV
D-141	SOV
D-142	SOV
D-143	SOV
D-144	SOV
D-145	SOV
D-146	SOV
D-147	SOV
D-148	SOV
D-149	SOV
D-150	SOV
D-151	SOV
D-152	SOV
D-153	SOV
D-154	SOV
D-155	SOV
D-156	SOV
D-157	SOV
D-158	SOV
D-159	SOV

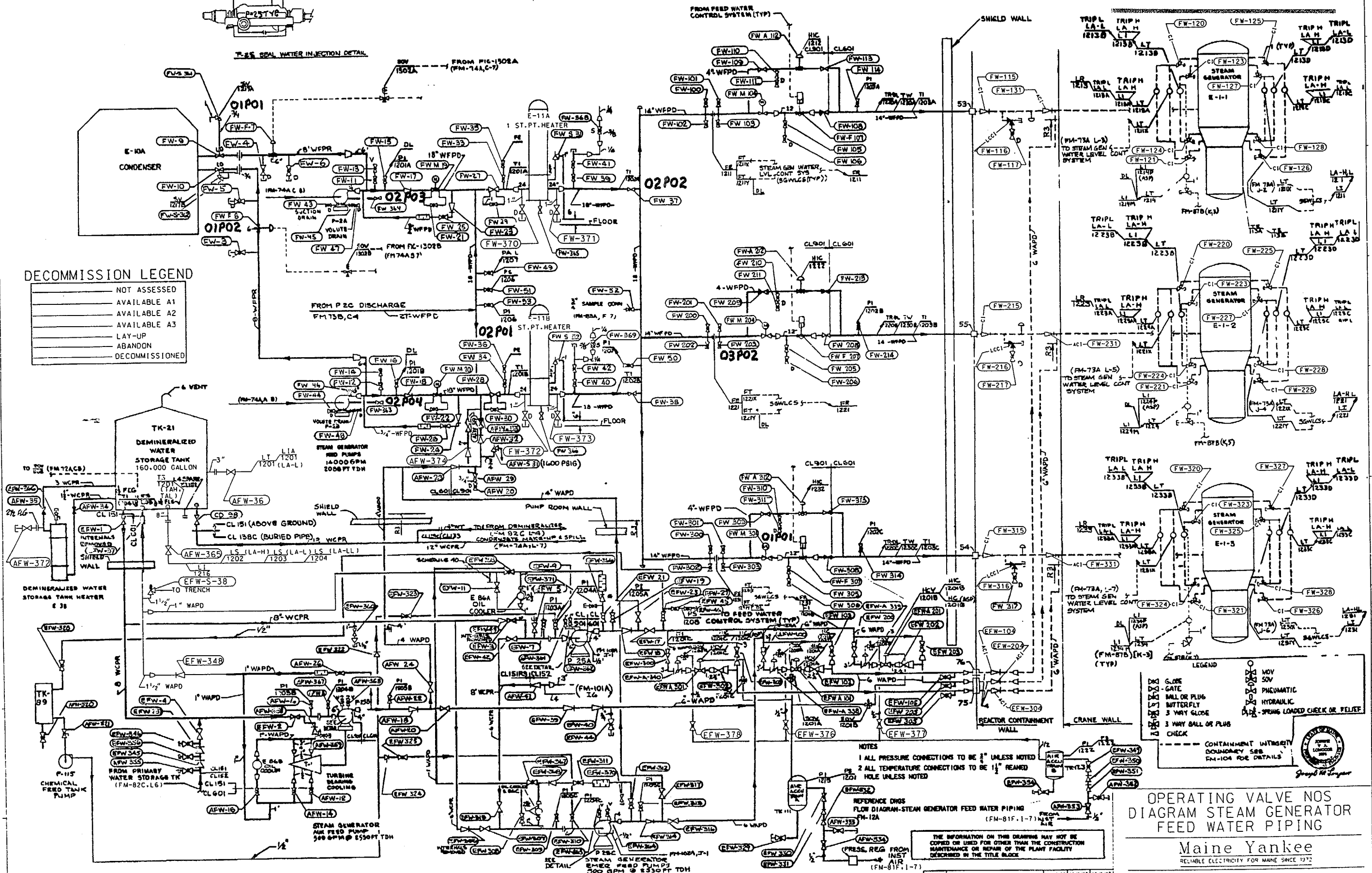
OPERATING VALVE NOS  
DIAGRAM SEC PLANT  
SEALING & LEAKOFF PIPING  
Main Yankee  
RELEASABLE ELECTRICALITY FOR MAINT SINCE 1972  
DRAWING NUMBER 11550-FM-85A

REV	20
DESCRIPTION	REV PER O&M RE-CLASSIFICATION
BY	MSR DP
CHKD	MSR
APPD	12/9/93



**DECOMMISSION LEGEND**

---	NOT ASSESSED
---	AVAILABLE A1
---	AVAILABLE A2
---	AVAILABLE A3
---	LAY-UP
---	ABANDON
---	DECOMMISSIONED



**NOTES**  
1 ALL PRESSURE CONNECTIONS TO BE 2" UNLESS NOTED  
2 ALL TEMPERATURE CONNECTIONS TO BE 1 1/2" REAMED HOLE UNLESS NOTED  
REFERENCE DRGS  
FLOW DIAGRAM-STEAM GENERATOR FEED WATER PIPING (FM-12A)  
PRESS. REG. FROM INST. AIR (FM-81F.1-7)

THE INFORMATION ON THIS DRAWING MAY NOT BE COPIED OR USED FOR OTHER THAN THE CONSTRUCTION MAINTENANCE OR REPAIR OF THE PLANT FACILITY DESCRIBED IN THE TITLE BLOCK

**LEGEND**

○	MOV
○	50V
○	PNEUMATIC
○	HYDRAULIC
○	3 WAY BALL OR PLUG
○	3 WAY GLOBE
○	3 WAY BALL OR PLUG
○	CHECK
---	CONTAINMENT INTEGRITY BOUNDARY SEE FM-104 FOR DETAILS

**OPERATING VALVE NOS  
DIAGRAM STEAM GENERATOR  
FEED WATER PIPING**

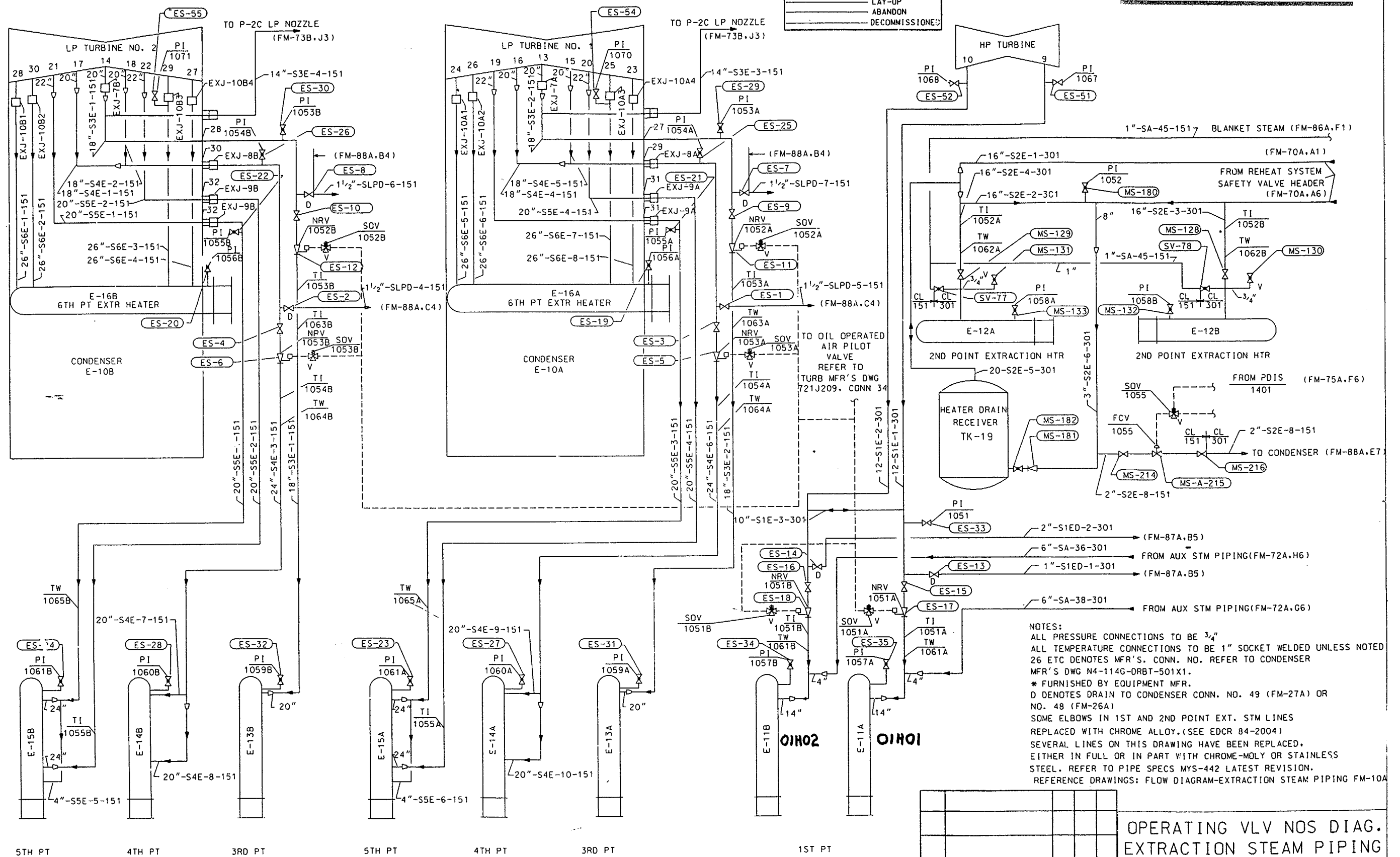
**Maine Yankee**  
RELIABLE ELECTRICITY FOR MAINE SINCE 1972

44	REV PER DCR 97-116	11/14/91	12/9/91	12/9/91
REV	DESCRIPTION	BY	CHKD	APPD

DRAWING NUMBER 11550-FM-73A

DECOMMISSION LEGEND

---	NOT ASSESSED
---	AVAILABLE A1
---	AVAILABLE A2
---	AVAILABLE A3
---	LAY-UP
---	ABANDON
---	DECOMMISSIONED



NOTES:  
ALL PRESSURE CONNECTIONS TO BE 3/4"  
ALL TEMPERATURE CONNECTIONS TO BE 1" SOCKET WELDED UNLESS NOTED  
26 ETC DENOTES MFR'S. CONN. NO. REFER TO CONDENSER  
MFR'S DWG N4-114G-DRBT-501X1.  
\* FURNISHED BY EQUIPMENT MFR.  
D DENOTES DRAIN TO CONDENSER CONN. NO. 49 (FM-27A) OR  
NO. 48 (FM-26A)  
SOME ELBOWS IN 1ST AND 2ND POINT EXT. STM LINES  
REPLACED WITH CHROME ALLOY. (SEE EDCR 84-2004)  
SEVERAL LINES ON THIS DRAWING HAVE BEEN REPLACED,  
EITHER IN FULL OR IN PART WITH CHROME-MOLY OR STAINLESS  
STEEL. REFER TO PIPE SPECS MYS-442 LATEST REVISION.  
REFERENCE DRAWINGS: FLOW DIAGRAM-EXTRACTION STEAM PIPING FM-10A

REV	DESCRIPTION	BY	CHKD	APPD
16	SYSTEM RE-CLASSIFICATION	MSR	DP	MSR
		12/2/97	12/2/97	12/2/97

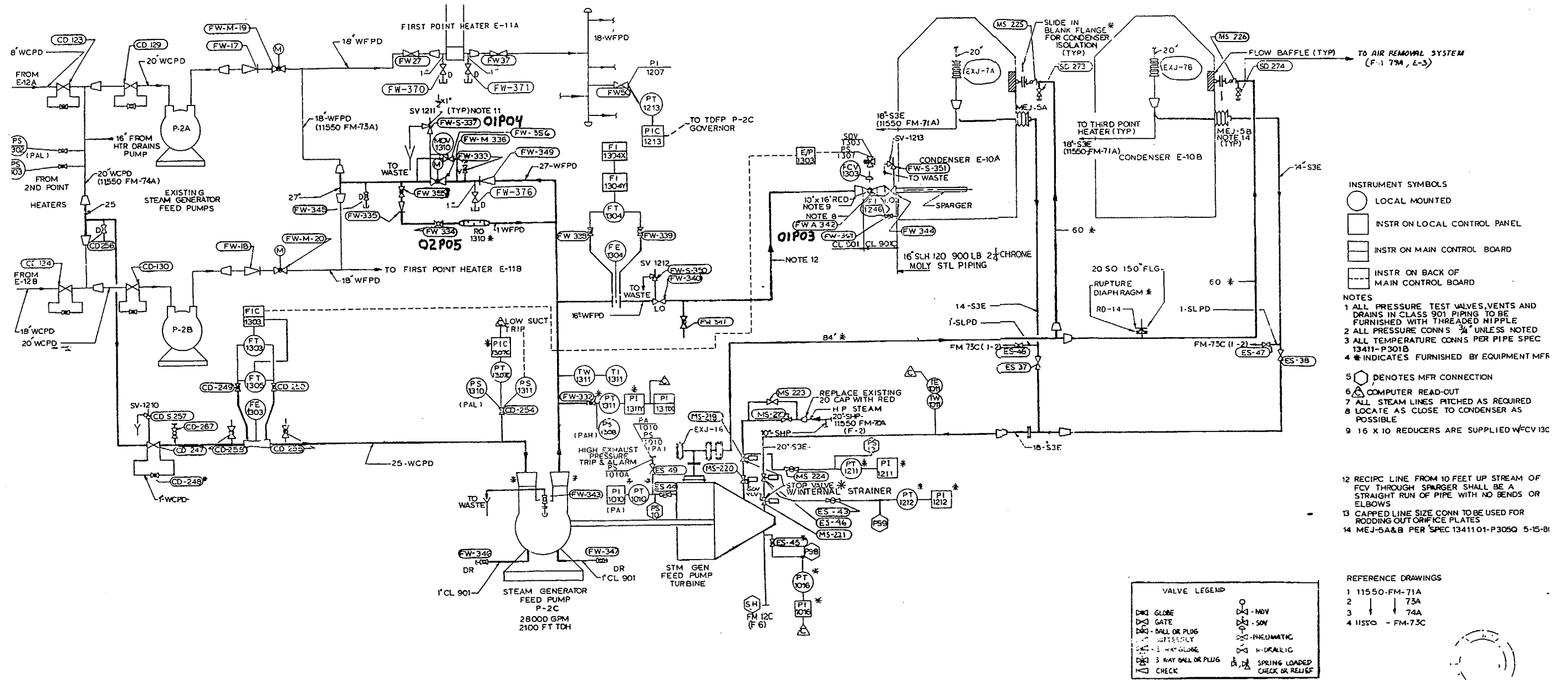
OPERATING VLV NOS DIAG.  
EXTRACTION STEAM PIPING

Maine Yankee  
RELIABLE ELECTRICITY FOR MAINE SINCE 1972

DRAWING NUMBER 11550-FM-71A

EXTRACTION HEATERS





- INSTRUMENT SYMBOLS**
- LOCAL MOUNTED
  - INSTR ON LOCAL CONTROL PANEL
  - ▭ INSTR ON MAIN CONTROL BOARD
  - ▭ INSTR ON BACK OF MAIN CONTROL BOARD
- NOTES**
- 1 ALL PRESSURE TEST VALVES, VENTS AND DRAINS IN CLASS 901 PIPING TO BE FURNISHED WITH THREADED NIPPLE
  - 2 ALL PRESSURE CONNS 3/4" UNLESS NOTED
  - 3 ALL TEMPERATURE CONNS PER PIPE SPEC 13411-P301B
  - 4 \* INDICATES FURNISHED BY EQUIPMENT MFR
  - 5 ○ DENOTES MFR CONNECTION
  - 6 △ COMPUTER READ-OUT
  - 7 ALL STEAM LINES FITCHED AS REQUIRED
  - 8 LOCATE AS CLOSE TO CONDENSER AS POSSIBLE
  - 9 16 X 10 REDUCERS ARE SUPPLIED WFCV 13C
  - 12 RECIRC LINE FROM 10 FEET UP STREAM OF FCV THROUGH SPARGER SHALL BE A STRAIGHT RUN OF PIPE WITH NO BENDS OR ELBOWS
  - 13 CAPPED LINE SIZE CONN TO BE USED FOR RODDING OUT ORIFICE PLATES
  - 14 MEJ-5A&B PER SPEC 1341101-P305Q 5-15-B

**VALVE LEGEND**

○	GLOBE	○	MOV
⊗	GATE	⊗	SOV
⊙	BALL OR PLUG	⊙	PNEUMATIC
⊚	WATERSEAL	⊚	HYDRAULIC
⊛	3 WAY GLOBE	⊛	SPRING LOADED
⊜	3 WAY BALL OR PLUG	⊜	CHECK OR RELIEF
⊝	CHECK		

- REFERENCE DRAWINGS**
- 1 11550-FM-71A
  - 2 73A
  - 3 74A
  - 4 11550 - FM-73C

APPROVED *[Signature]*  
LICENSED PROFESSIONAL ENGINEER NO. 2647  
STATE OF MAINE

QA CAT II

VALVE OPERATING NUMBERS  
DIAGRAM STEAM DRIVEN  
FEED PUMP SH1

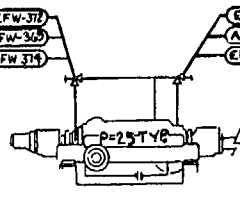
Maine Yankee  
RELIABLE ELECTRICITY FOR MAINE SINCE 1972

DRAWING NUMBER 11550-FM-73B

REV	DESCRIPTION	BY	CHKD	APPRD	DATE
20	REV PER DCR 95-27	VS	JBL	JL	4/24/95
19	REV PER EDCR 94-34	VS	VS	MR	3/6/95
18	SEE ARCHIVE FOR PREVIOUS REVS. REV PER DCR 94-90 & 93-361, 93-499, 94-011 & 94-031	VS	JDP	MR	11/18/94



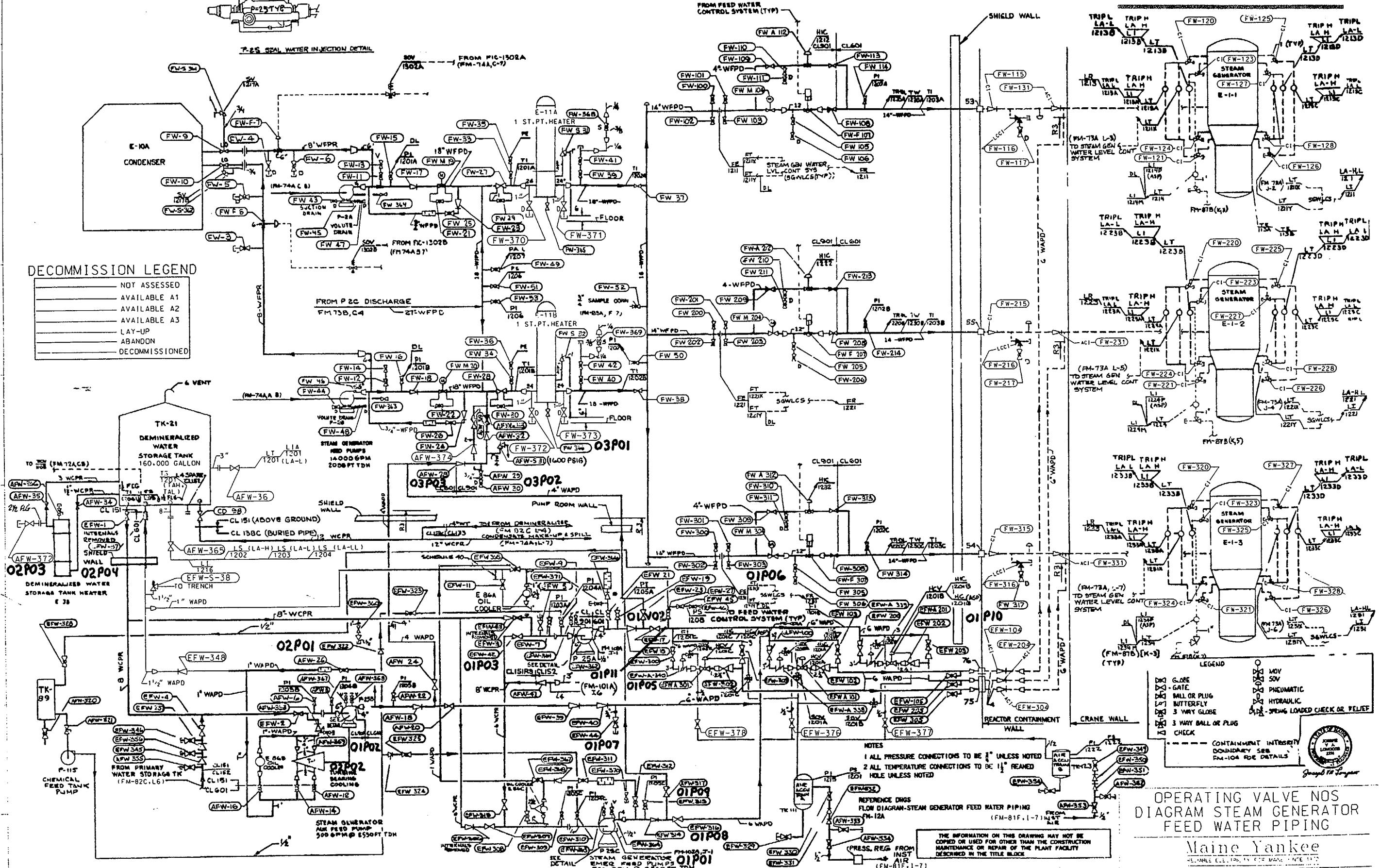
P-25A (EFW-37)  
P-25B (AFW-30)  
P-25C (EFW-31)



P-25 SEAL WATER INJECTION DETAIL

**DECOMMISSION LEGEND**

- NOT ASSESSED
- AVAILABLE A1
- AVAILABLE A2
- AVAILABLE A3
- LAY-UP
- ABANDON
- DECOMMISSIONED



**LEGEND**

○	CLOSE	○	MOV
◇	GATE	○	SOV
●	BALL OR PLUG	○	PNEUMATIC
⊥	BITTERFLY	○	HYDRAULIC
⊥	3 WAY GLOBE	○	3 WAY BALL OR PLUG
⊥	3 WAY BALL OR PLUG	○	SPRING LOADED CHECK OR RELIEF
⊥	CHECK		

--- CONTAINMENT INTEGRITY BOUNDARY SEE FM-104 FOR DETAILS

**NOTES**

- 1 ALL PRESSURE CONNECTIONS TO BE 1/2" UNLESS NOTED
- 2 ALL TEMPERATURE CONNECTIONS TO BE 1/2" REARED
- 3 HOLE UNLESS NOTED

REFERENCE DRGS  
FLOW DIAGRAM-STEAM GENERATOR FEED WATER PIPING (FM-81F.1-7) INST. A/E

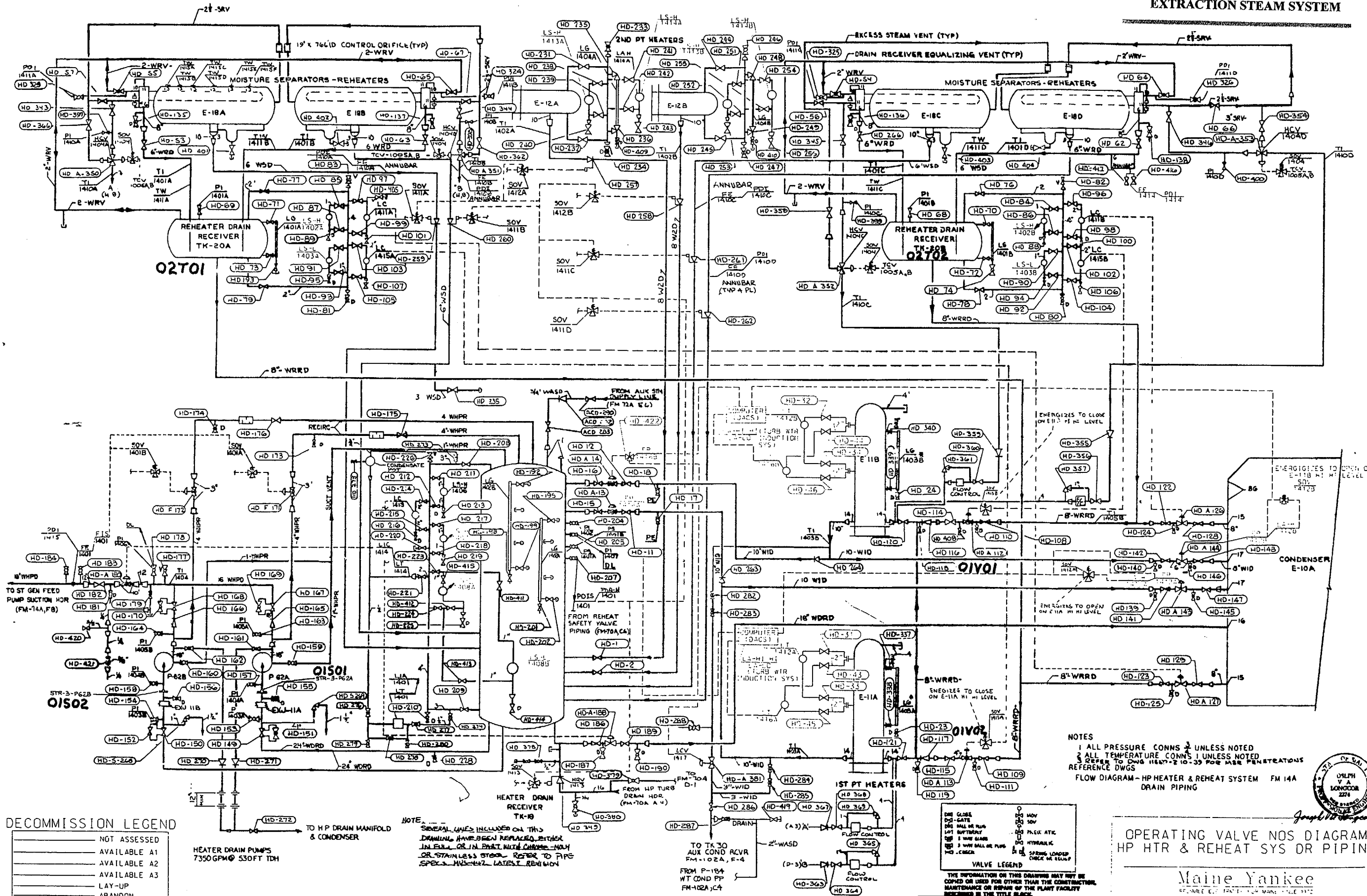
(PRESS. REG. FROM INST. AIR (FM-81F.1-7))

**OPERATING VALVE NOS  
DIAGRAM STEAM GENERATOR  
FEED WATER PIPING**

Maine Yankee  
RELEASABLE EDITION BY THE MAINE STATE

44	REV PER DCR 97-116	11/14/97	12/9/97	12/9/97
	RE-CLASSIFICATION	MSR	DP	MSR
	DESCRIPTION	BY	CHKD	APPD

DRAWING NUMBER 11550-FM-73A



**DECOMMISSION LEGEND**

---	NOT ASSESSED
---	AVAILABLE A1
---	AVAILABLE A2
---	AVAILABLE A3
---	LAY-UP
---	ABANDON
---	DECOMMISSIONED

HEATER DRAIN PUMPS  
 7350 GPM @ 530 FT TDH

NOTE: SEVERAL LINES INCLUDED ON THIS DRAWING HAVE BEEN REPLACED EITHER IN FIELD OR IN FACTORY WITH COPPER-NICKEL OR STAINLESS STEEL. REFER TO PIPE SPECS. HD-442 LATEST REVISION

NOTES  
 1 ALL PRESSURE CONNS UNLESS NOTED  
 2 ALL TEMPERATURE CONNS UNLESS NOTED  
 3 REFER TO DWG 11557-2 10-33 FOR MBE PENETRATIONS  
 REFERENCE DWGS  
 FLOW DIAGRAM - HP HEATER & REHEAT SYSTEM FM 14A  
 DRAIN PIPING

**VALVE LEGEND**

---	DRY CLOSE	---	MOV
---	DRY-GATE	---	SOV
---	DRY-BALL OR PLUG	---	FLK ATK
---	LOT BATTERY	---	HYDRAK
---	3" WIRE BALL OR PLUG	---	SPRING LOADED
---	NO-CHECK	---	CHECK OR RELIEF

THE INFORMATION ON THIS DRAWING MAY NOT BE COPIED OR USED FOR OTHER THAN THE CONSTRUCTION, MAINTENANCE OR REPAIR OF THE PLANT FACILITY INDICATED IN THE TITLE BLOCK.

33	REV PER DCR 97-116	11/13/91	12/9/91
REV	SYSTEM RE-CLASSIFICATION	MSR	DP MSR
	DESCRIPTION	BY	CHKD APPD

**OPERATING VALVE NOS DIAGRAM**  
**HP HTR & REHEAT SYS DR PIPING**

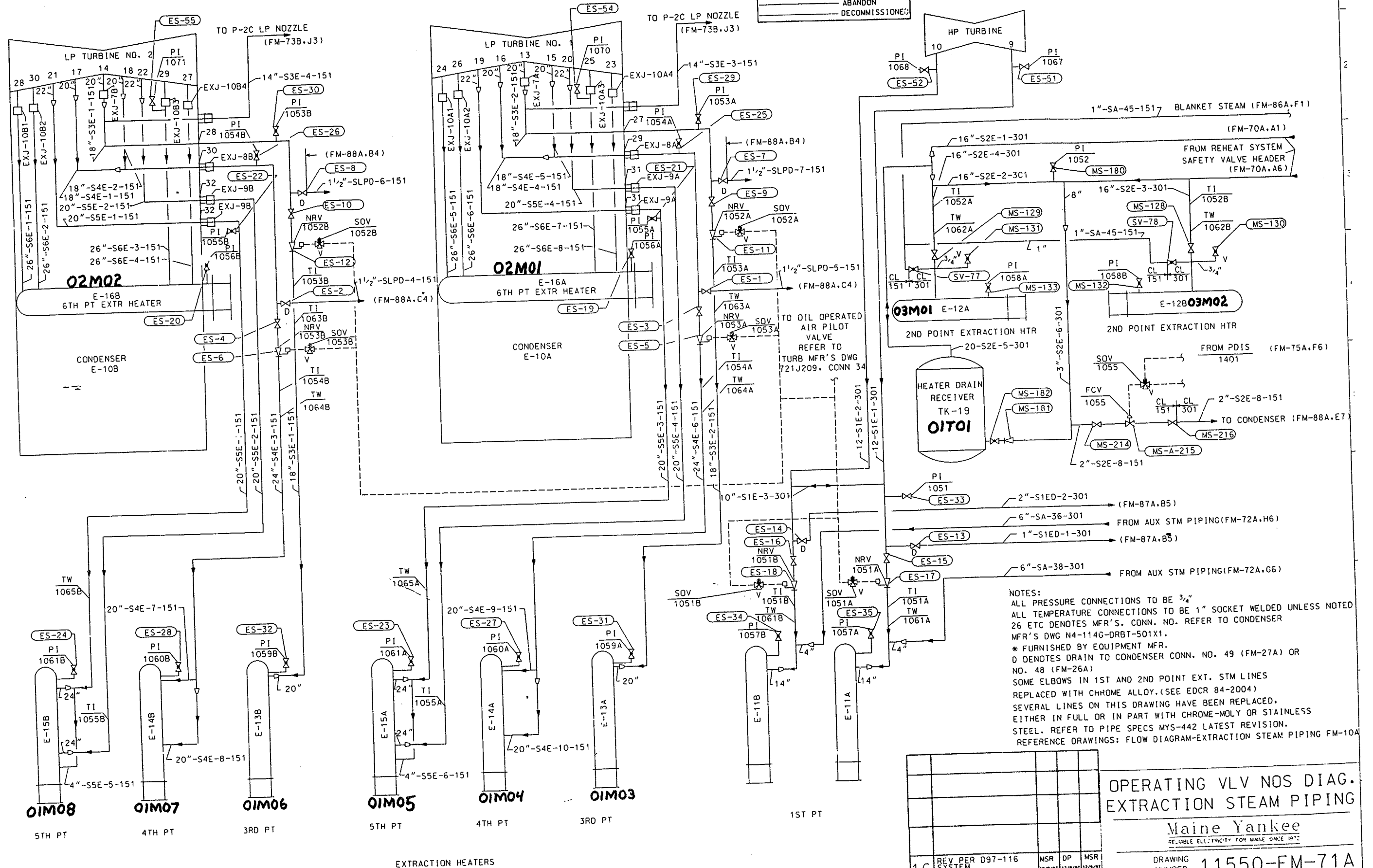
**Maine Yankee**  
 224  
 11550-FM-75A

DRAWING NUMBER 11550-FM-75A



DECOMMISSION LEGEND

---	NOT ASSESSED
---	AVAILABLE A1
---	AVAILABLE A2
---	AVAILABLE A3
---	LAY-UP
---	ABANDON
---	DECOMMISSIONED

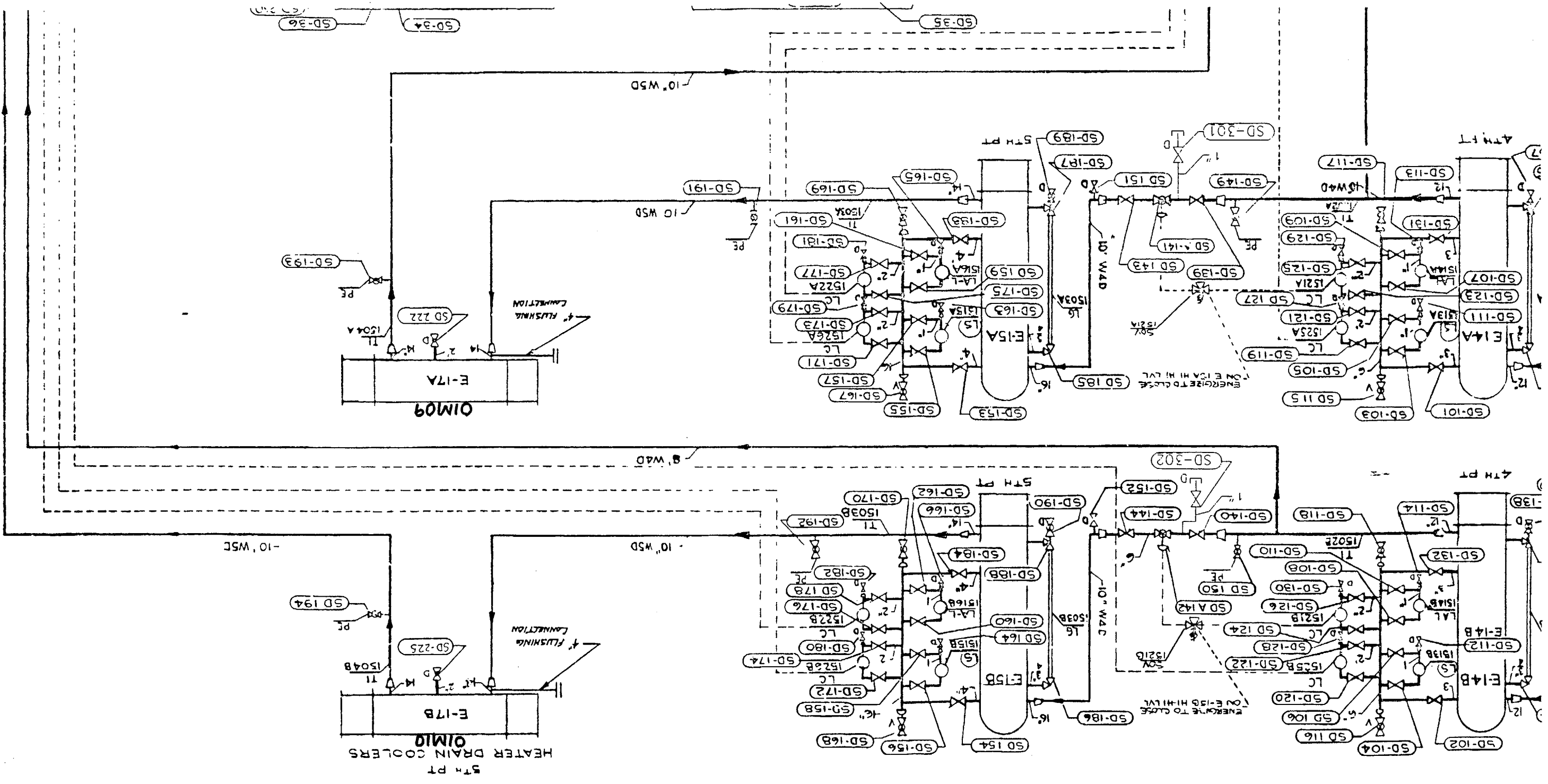


NOTES:  
 ALL PRESSURE CONNECTIONS TO BE 3/4"  
 ALL TEMPERATURE CONNECTIONS TO BE 1" SOCKET WELDED UNLESS NOTED  
 26 ETC DENOTES MFR'S. CONN. NO. REFER TO CONDENSER  
 MFR'S DWG N4-114G-DRBT-501X1.  
 \* FURNISHED BY EQUIPMENT MFR.  
 D DENOTES DRAIN TO CONDENSER CONN. NO. 49 (FM-27A) OR  
 NO. 48 (FM-26A)  
 SOME ELBOWS IN 1ST AND 2ND POINT EXT. STM LINES  
 REPLACED WITH CHROME ALLOY. (SEE EDCR 84-2004)  
 SEVERAL LINES ON THIS DRAWING HAVE BEEN REPLACED,  
 EITHER IN FULL OR IN PART WITH CHROME-MOLY OR STAINLESS  
 STEEL. REFER TO PIPE SPECS MYS-442 LATEST REVISION.  
 REFERENCE DRAWINGS: FLOW DIAGRAM-EXTRACTION STEAM PIPING FM-104

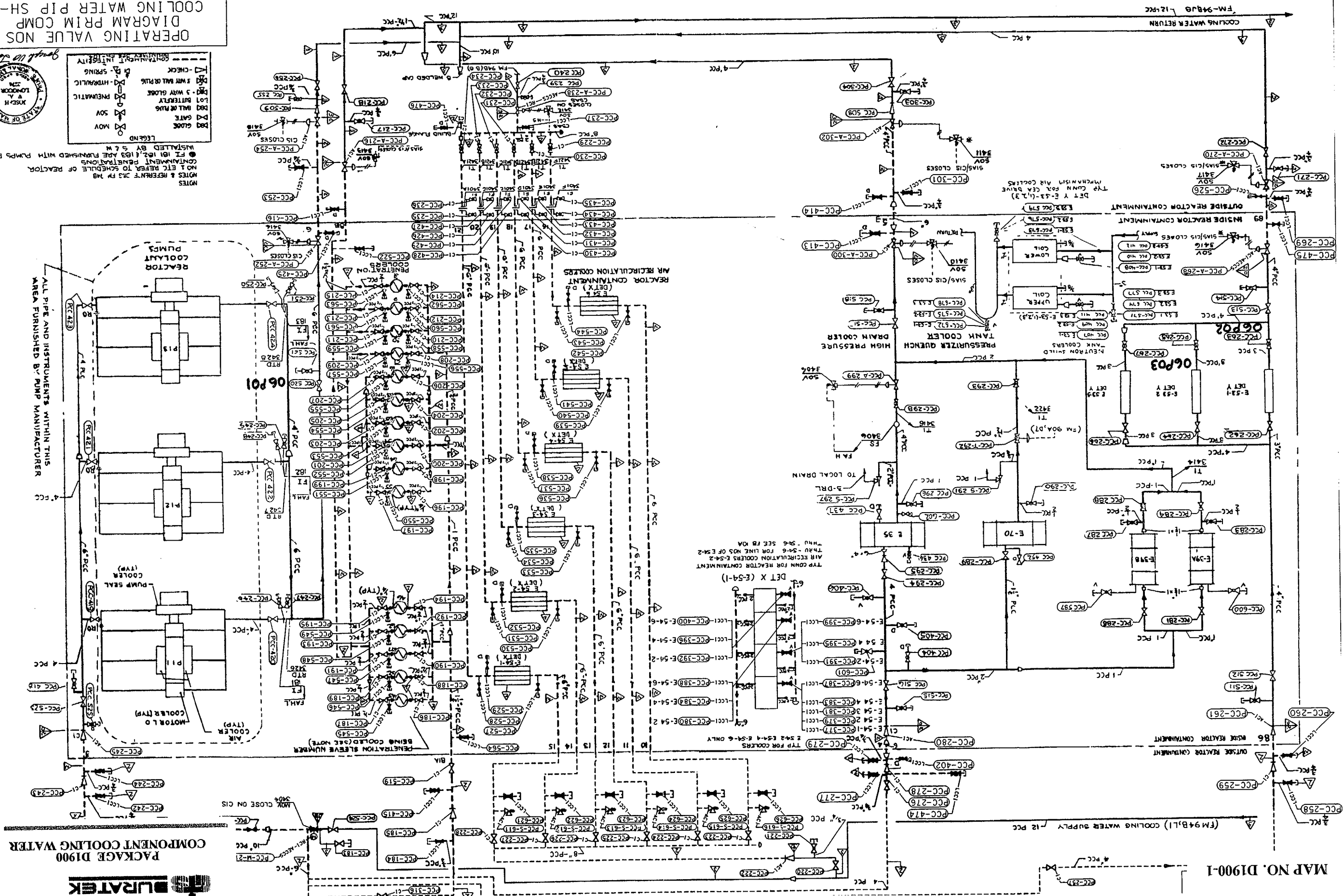
REV	DESCRIPTION	BY	CHKD	APPRO
16	REV PER D97-116	MSR	DP	MSR
	SYSTEM RE-CLASSIFICATION	12/2/97	12/2/97	12/2/97

OPERATING VLV NOS DIAG.  
 EXTRACTION STEAM PIPING  
 Maine Yankee  
 RELIABLE ELECTRICITY FOR MAINE SINCE 1972  
 DRAWING NUMBER 11550-FM-71A

EXTRACTION HEATERS



(FM 94B.1L) COOLING WATER SUPPLY 12 PCC



PACKAGE D1900  
COMPONENT COOLING WATER

ALL PIPE AND INSTRUMENTS WITHIN THIS  
AREA FURNISHED BY PUMP MANUFACTURER

- LEGEND
- MOV
  - SOV
  - LOI BUTTERFLY
  - LOI BALL VALVE
  - 3 WAY BALL OR PLS
  - CHECK
  - CONTINUIT INTERFITY



NOTES & REFERENCE: 213 P. 148  
NO. 1 ETC REFER TO SCHEDULE OF REACTOR  
CONTAINMENT PENETRATIONS  
● FT 101 102, 103 ARE FURNISHED WITH PUMPS BUT  
INSTALLED BY 5.7 M

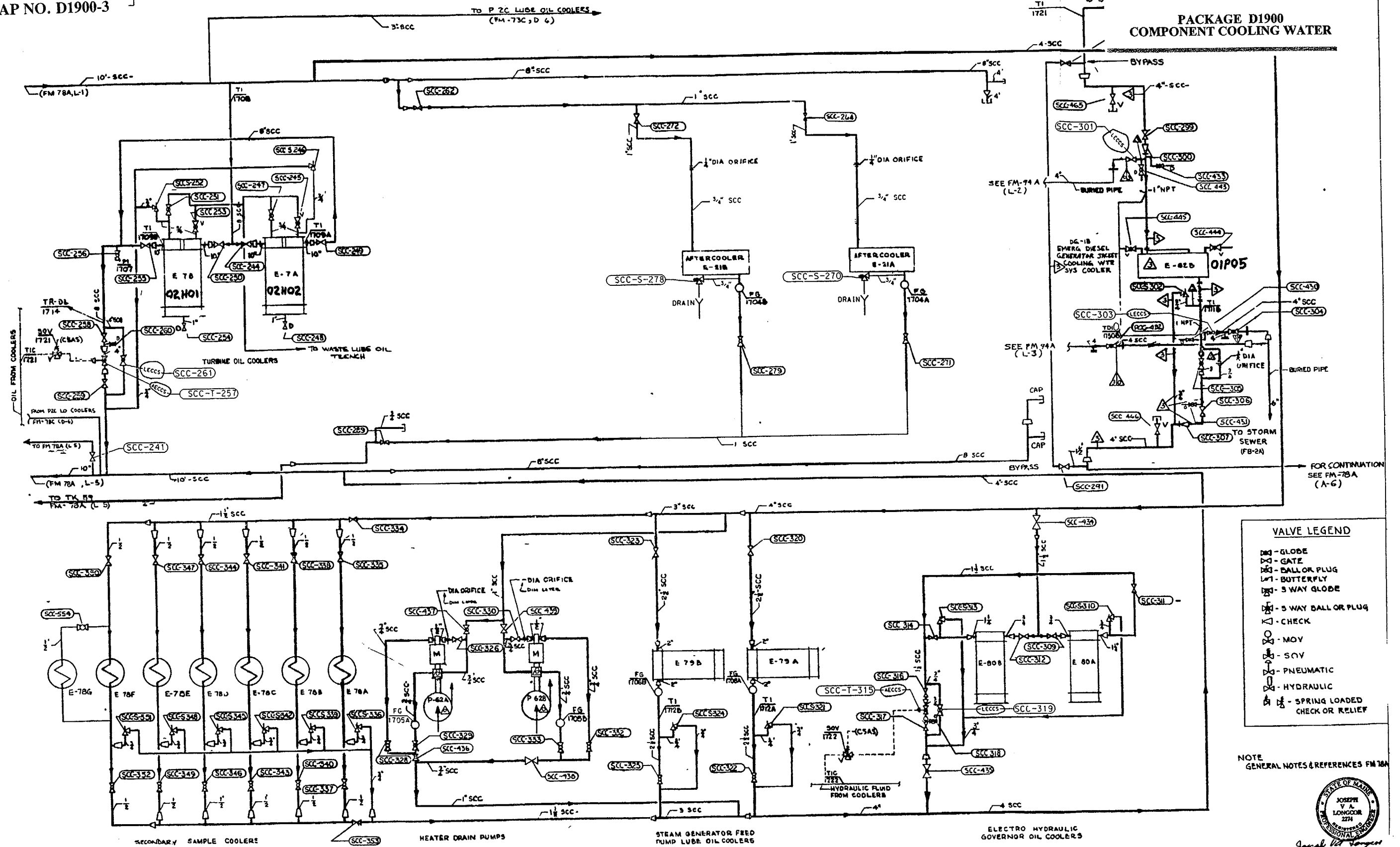
OPERATING VALUE NOS  
DIAGRAM PRIM COMP  
COOLING WATER PIP SH-3

MAINE Yankee  
RELIABLE ELECTRICITY FOR WANE SINCE 1972  
DRAWING NUMBER 11550-FM-94C

REV	DESCRIPTION	BY	CHKD	APPD
20	REV PER DCR 96-160	VS	RAC	MR
19	REV ARCHIVE FOR PREVIOUS REV. REV PER ECHR 96-056	RAC	MR	MR
18	DCM 96-135			







**VALVE LEGEND**

- DN - GLOBE
- DT - GATE
- DB - BALL OR PLUG
- LW - BUTTERFLY
- DS - 3 WAY GLOBE
- DN - 5 WAY BALL OR PLUG
- CK - CHECK
- MOV - MOV
- SOV - SOV
- PN - PNEUMATIC
- HY - HYDRAULIC
- SR - SPRING LOADED CHECK OR RELIEF

NOTE: GENERAL NOTES & REFERENCES FM-78A



THE INFORMATION ON THIS DRAWING MAY NOT BE COPIED OR USED FOR OTHER THAN THE CONSTRUCTION, MAINTENANCE OR REPAIR OF THE PLANT FACILITY DESCRIBED IN THE TITLE BLOCK

REV	DESCRIPTION	BY	CHKD	APPD
32	REV PER DCR 96-160	11/30/96	11/11/96	11/11/96
31	REV PER DCR 93-496	VS	JOP	MR
30	REV PER DCR 93-417	3/27/93	3/27/93	5/17/93
29	SEE ARCHIVE FOR PREVIOUS REV'S PER EDCR 93-31	RAC	MSR	MSR

OPERATING VALVE NOS  
DIAGRAM SECONDARY COMP  
COOL PIPING SH2

Maine Yankee  
RELIABLE ELECTRICITY FOR MAINE SINCE 1972

DRAWING NUMBER 11550-FM-78B



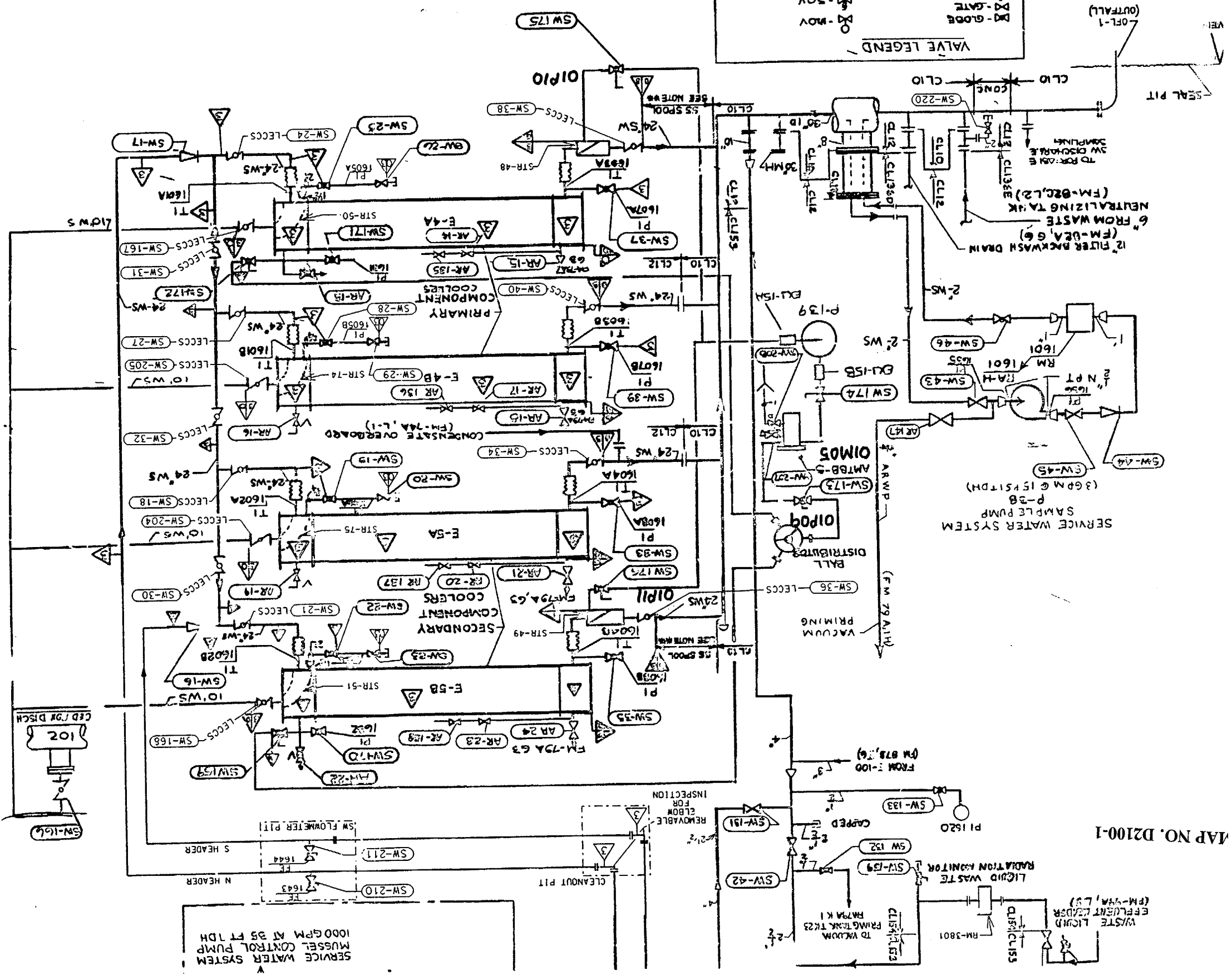
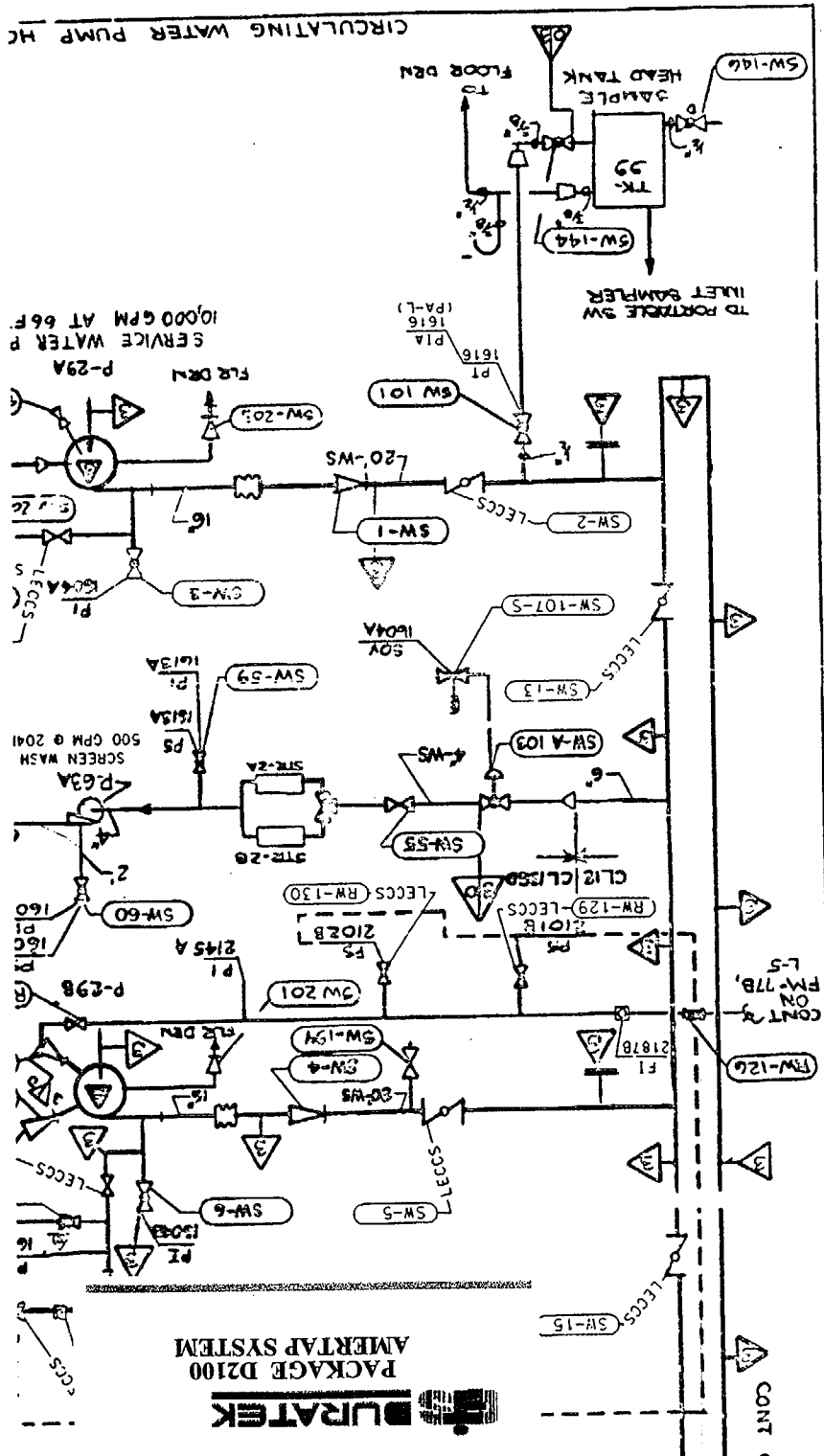






REV	DESCRIPTION	BY	CHKD	APPD	REV	DESCRIPTION	BY	CHKD	APPD	REV
33	REV PER DCR 95-236.	10/23/96	RAC	10/23/96	32	REV PER DCR 94-243.	12/15/94	VS	12/21/94	MR
30	94-248 & 94-280.	12/15/94	VS	12/21/94	31	94-248 & 94-280.	12/15/94	VS	12/21/94	MR

NOTES  
 ALL PRESSURE CONNS 3/4" UNLESS NOTED  
 \* CLASS 218 SCREEN WASH PIPING IS SCHEDULE 80 RED B  
 \* FLOW DIAGRAM - SERVICE WATER PIPING  
 \* APPROX 12" LG, 316L SS SPOOL W/125# FLG EMBEDDED  
 IN FLOOR REF. TE 359-91

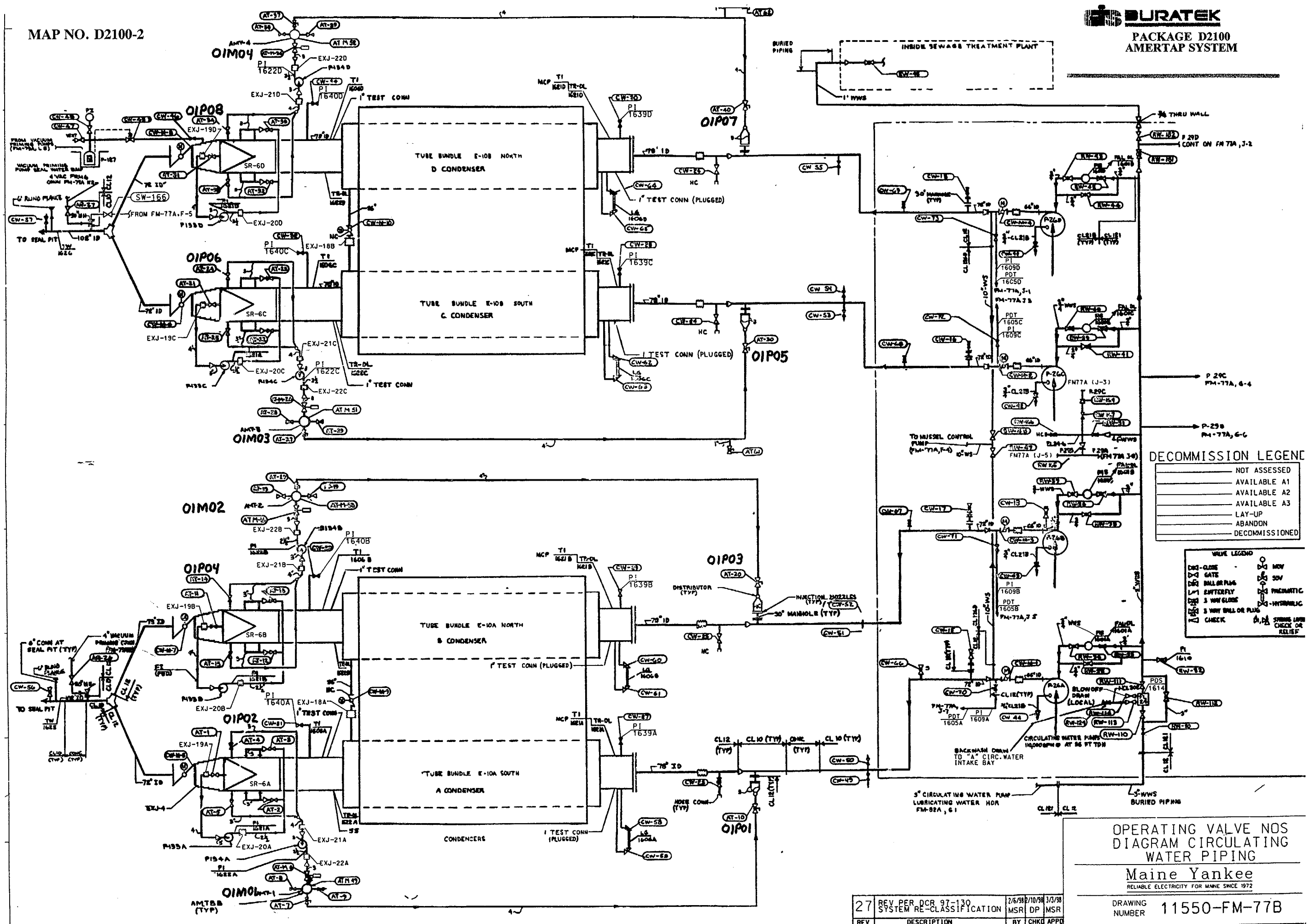


VALVE LEGEND

- DO - MOV
- SOV - SOV
- DO - PNEUMATIC
- DO - HYDRAULIC
- DO - 3 WAY GLOBE
- DO - 2 WAY BALL OR PLUG
- DO - CHECK

△ - CHECK  
 □ - 3 WAY BALL OR PLUG  
 ○ - SPRING LOADED  
 ○ - HYDRAULIC  
 ○ - PNEUMATIC  
 ○ - 3 WAY GLOBE  
 ○ - BALL OR PLUG  
 ○ - BUTTERFLY  
 ○ - GLOBE  
 ○ - GATE  
 ○ - GLOBE

TAP NO. D2100-1



**DECOMMISSION LEGEND**

(Solid line)	NOT ASSESSED
(Dashed line)	AVAILABLE A1
(Dotted line)	AVAILABLE A2
(Dash-dot line)	AVAILABLE A3
(Line with 'L')	LAY-UP
(Line with 'A')	ABANDON
(Line with 'D')	DECOMMISSIONED

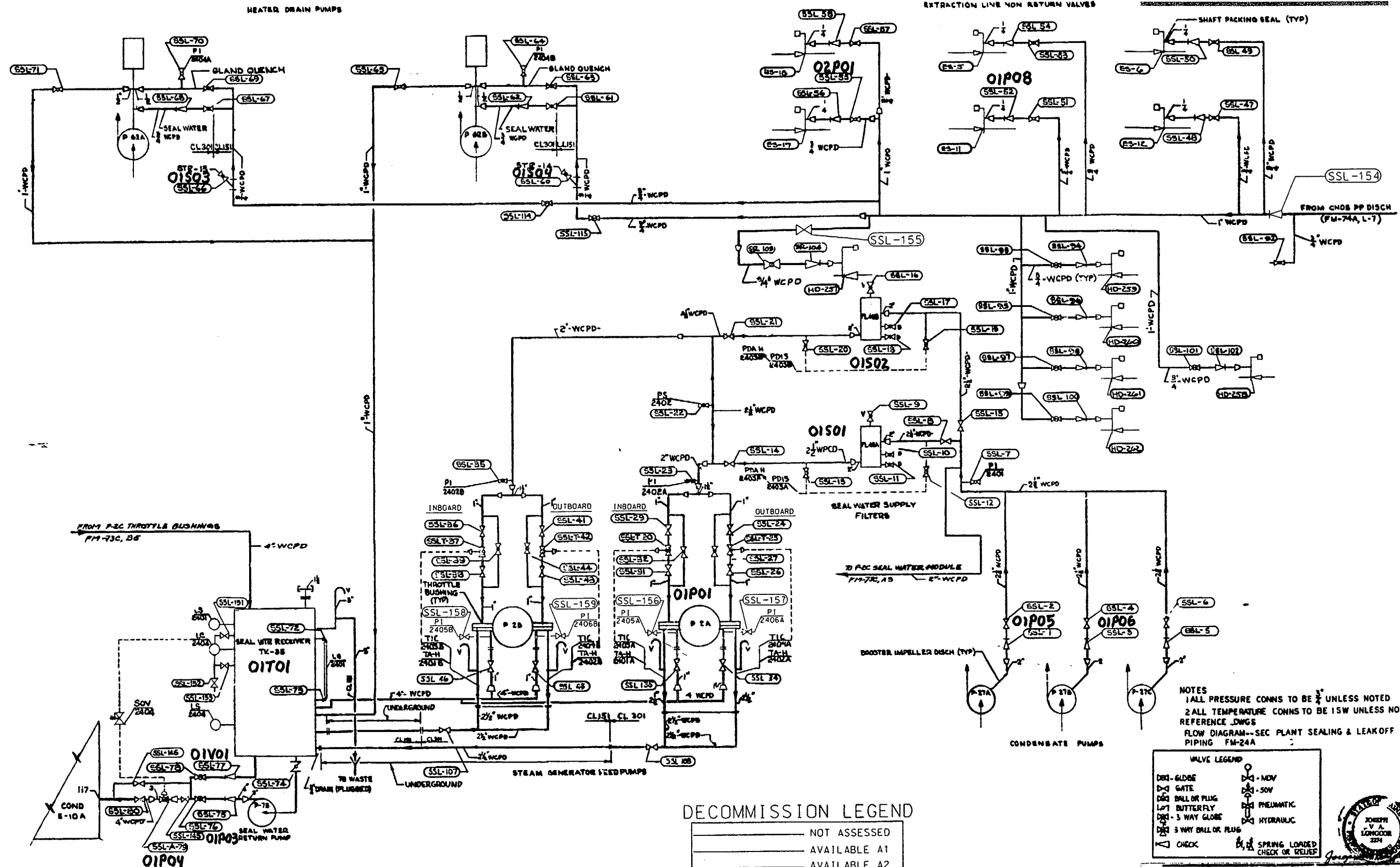
**VALVE LEGEND**

(Symbol)	MOV
(Symbol)	SOV
(Symbol)	PNEUMATIC
(Symbol)	HYDRAULIC
(Symbol)	SPRING LOADED CHECK OR RELIEF

**OPERATING VALVE NOS  
DIAGRAM CIRCULATING  
WATER PIPING**  
Maine Yankee  
RELIABLE ELECTRICITY FOR MAINE SINCE 1972

27	REV PER DCR 97-130 SYSTEM RE-CLASSIFICATION	2/6/98/2/10/98	3/3/98
REV	DESCRIPTION	BY	CHKD APPL

DRAWING NUMBER 11550-FM-77B



NOTES  
1 ALL PRESSURE CONNS TO BE 3/4" UNLESS NOTED  
2 ALL TEMPERATURE CONNS TO BE 1/2" UNLESS NOTED  
REFERENCE DWGS  
FLOW DIAGRAM--SEC PLANT SEALING & LEAKOFF  
PIPING FM-24A

VALVE LEGEND

DBL-GLOBE	MOV
DR-GATE	SOV
DBL-BALL OR PLUG	PNEUMATIC
LB1-BUTTERFLY	HYDRAULIC
DBL-3 WAY GLOBE	
DBL-3 WAY BALL OR PLUG	
CHECK	SPRING LOADED CHECK OR RELIEF

DECOMMISSION LEGEND

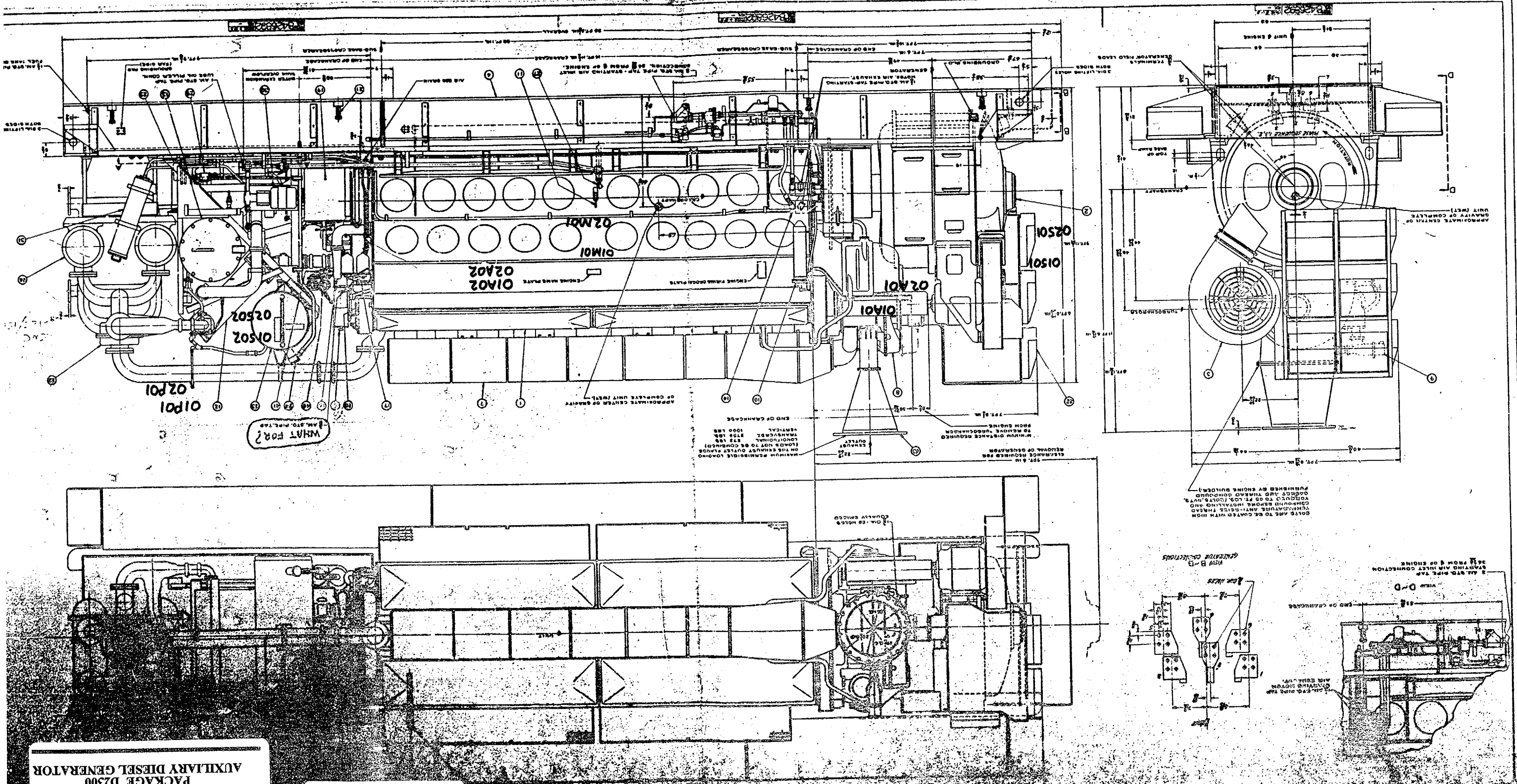
---	NOT ASSESSED
---	AVAILABLE A1
---	AVAILABLE A2
---	AVAILABLE A3
---	LAY-UP
---	ABANDON
---	DECOMMISSIONED

THE INFORMATION ON THIS DRAWING MAY NOT BE CORRECT OR USED FOR OTHER THAN THE CONSTRUCTION, MAINTENANCE OR REPAIR OF THE PLANT FACILITY DESCRIBED IN THE TITLE BLOCK.

OPERATING VALVE NOS  
DIAGRAM SEC PLANT  
SEALING & LEAKOFF PIPING  
Maine Yankee  
RELIABLE ELECTRICITY FOR MAINE SINCE 1972

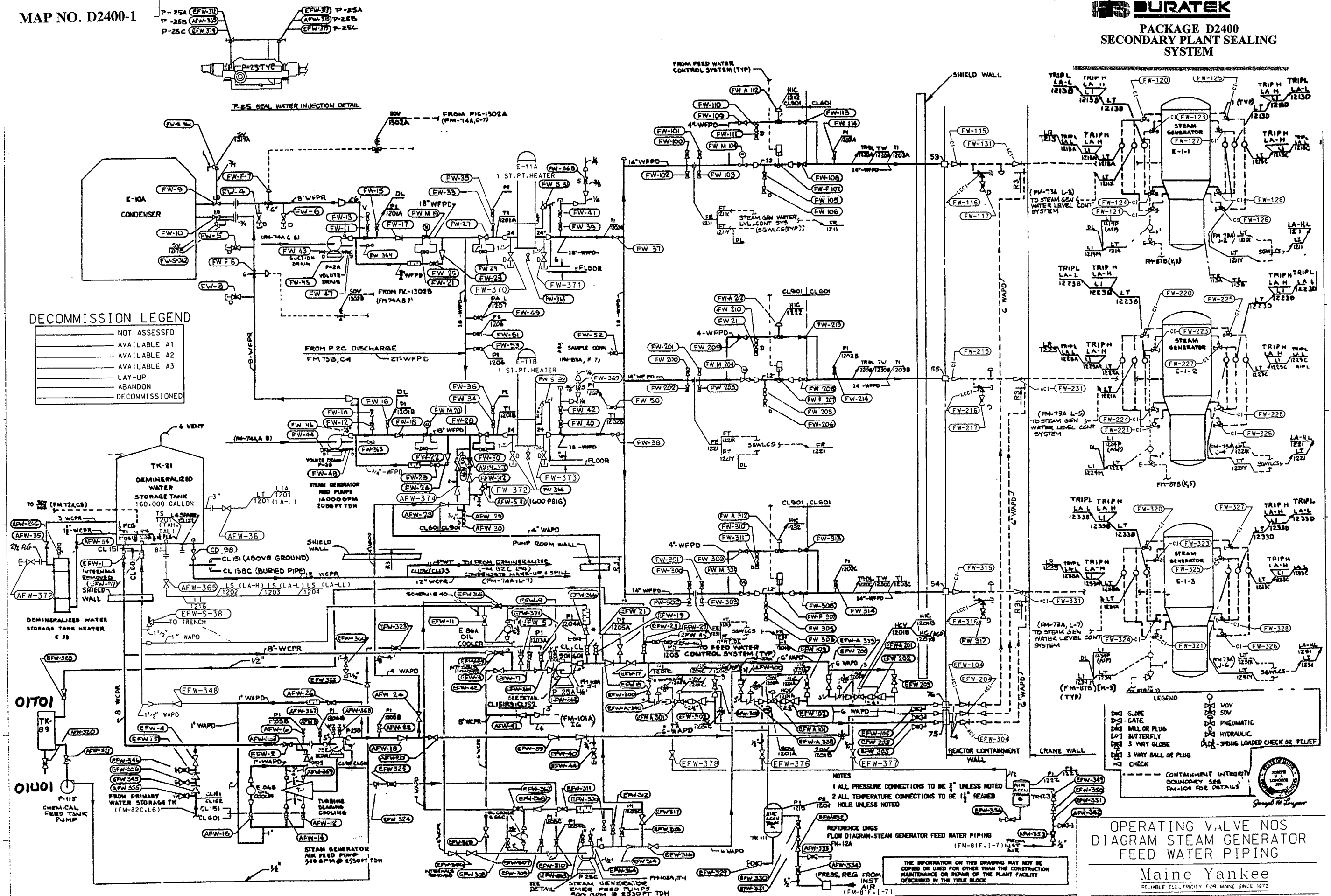
20	REV PER OCR 97-116 SYSTEM RE-CLASSIFICATION	12/9/97	12/9/97	12/9/97
REV	DESCRIPTION	BY	CHK	APP

DRAWING NUMBER 11550-FM-85A



**BURATEK**  
 PACKAGE D2300  
 AUXILIARY DIESEL GENERATOR

MAP NO. D2300-1



**DECOMMISSION LEGEND**

NOT ASSESSED
AVAILABLE A1
AVAILABLE A2
AVAILABLE A3
LAY-UP
ABANDON
DECOMMISSIONED

**LEGEND**

- MOV
- SOV
- ◇ GLOBE
- ◇ GATE
- ◇ BALL OR PLUG
- ◇ BUTTERFLY
- ◇ 3 WAY GLOBE
- ◇ 3 WAY BALL OR PLUG
- ◇ CHECK
- PNEUMATIC
- HYDRAULIC
- SPRING LOADED CHECK OR RELIEF

--- CONTAINMENT INTEGRITY BOUNDARY SEE FM-104 FOR DETAILS

**NOTES**

- 1 ALL PRESSURE CONNECTIONS TO BE 3" UNLESS NOTED
- 2 ALL TEMPERATURE CONNECTIONS TO BE 1 1/2" RHEAD
- 3 HOLE UNLESS NOTED

REFERENCE DRGS  
FLOW DIAGRAM-STEAM GENERATOR FEED WATER PIPING (FM-81F.1-7)

THE INFORMATION ON THIS DRAWING MAY NOT BE COPIED OR USED FOR OTHER THAN THE CONSTRUCTION MAINTENANCE OR REPAIR OF THE PLANT FACILITY DESCRIBED IN THE TITLE BLOCK.

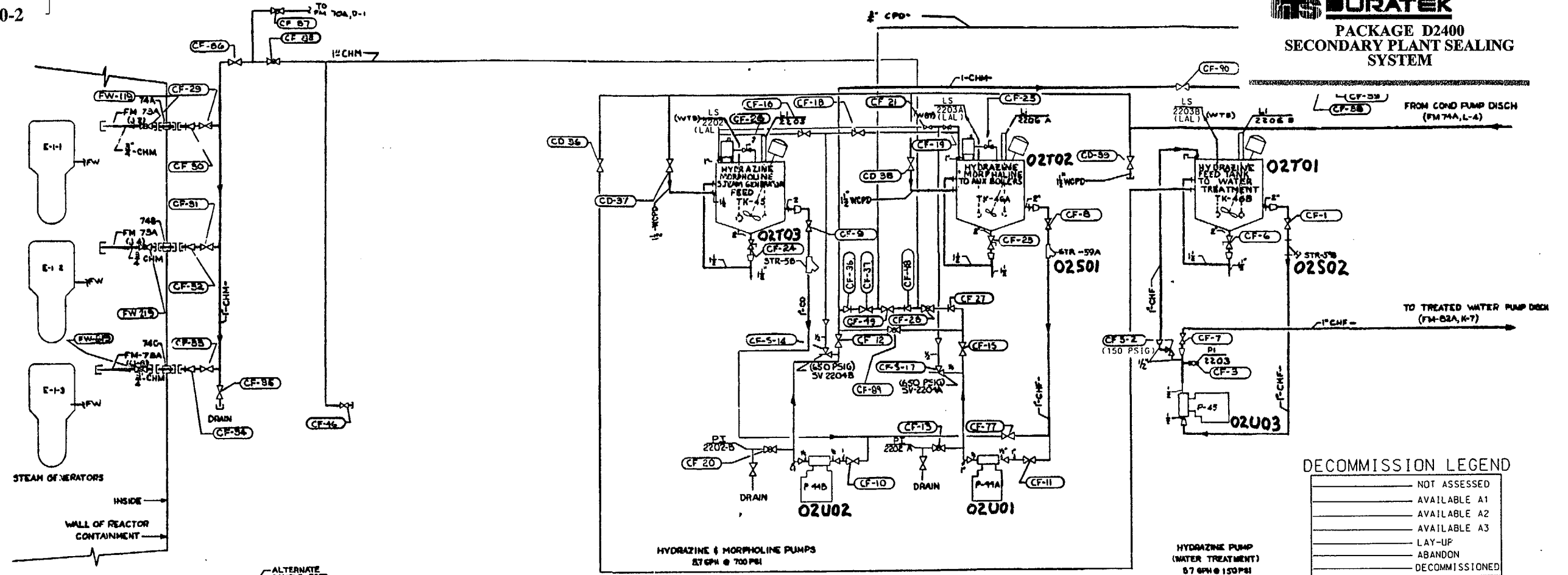
**OPERATING VALVE NOS  
DIAGRAM STEAM GENERATOR  
FEED WATER PIPING**

**Maine Yankee**  
RELIABLE ELECTRICITY FOR MAINE SINCE 1972

44	REV PER DCR 97-116	11/14/91	12/9/91	12/9/91
	SYSTEM RE-CLASSIFICATION	MSR	DP	MSR
REV	DESCRIPTION	BY	CHKD	APPD

DRAWING NUMBER **11550-FM-73A**





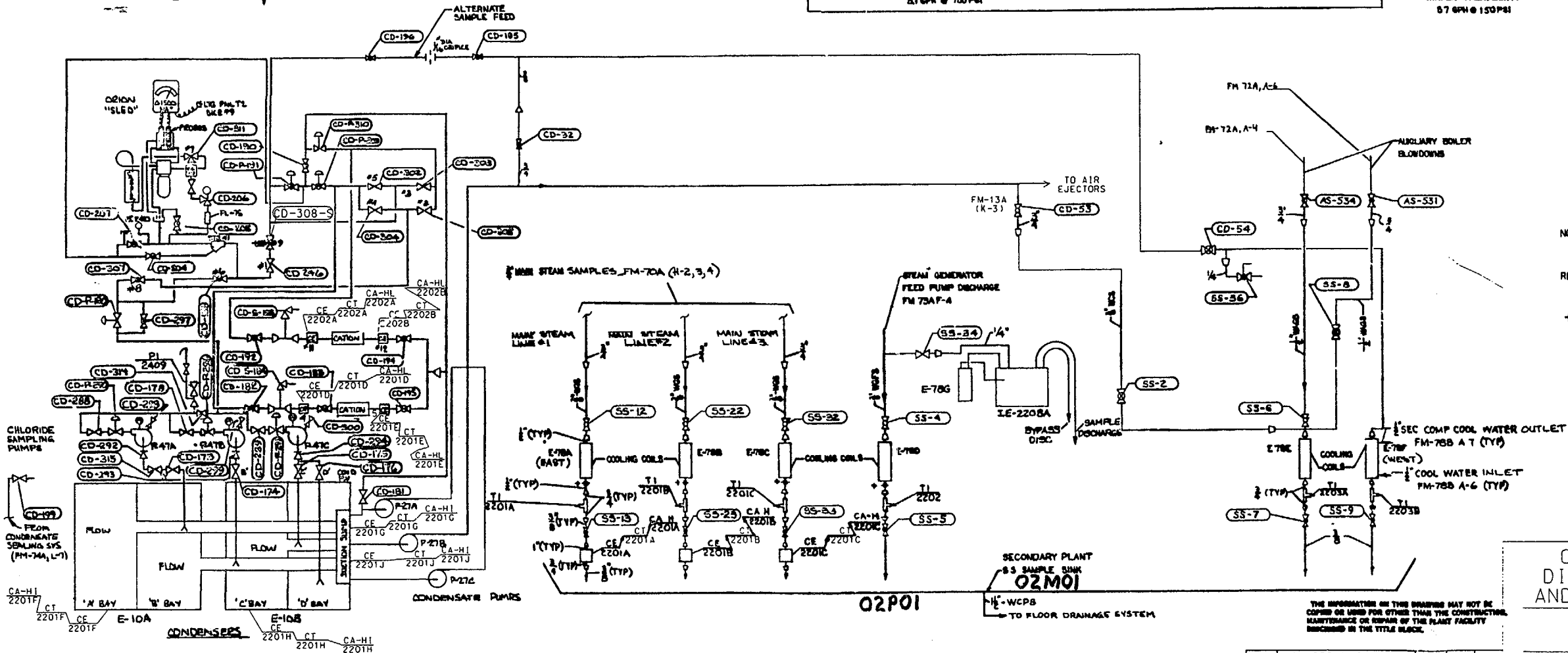
**DECOMMISSION LEGEND**

---	NOT ASSESSED
---	AVAILABLE A1
---	AVAILABLE A2
---	AVAILABLE A3
---	LAY-UP
---	ABANDON
---	DECOMMISSIONED

**VALVE LEGEND**

CD	CLOSE	MOV
GD	GATE	SOV
PL	BALL OR PLUG	PNEUMATIC
BY	BUTTERFLY	HYDRAULIC
3W	3 WAY GLOBE	SPRING LOADED
3WP	3 WAY BALL OR PLUG	CHECK OR RELIEF
CH	CHECK	

**NOTES**  
 1 ALL PRESSURE CONNS TO BE 3/4 UNLESS NOTED  
 2 ALL TEMPERATURE CONNS TO BE 1/2 UNLESS NOTED  
**REFERENCE DWGS**  
 FLOW DIAGRAM - CHEM FEED & SEC SAMPLING PIPING FM 22A  
 + = 1/2 ORifice



CHLORIDE SAMPLING PUMPS  
 FROM CONDENSATE SAMPLING SYS (FM-74A, L-7)

CONDENSATE PUMPS  
 CA-HI 2201F CT 2201G  
 CA-HI 2201H CT 2201I  
 CA-HI 2201J CT 2201K  
 CA-HI 2201L CT 2201M  
 CA-HI 2201N CT 2201O  
 CA-HI 2201P CT 2201Q  
 CA-HI 2201R CT 2201S  
 CA-HI 2201T CT 2201U  
 CA-HI 2201V CT 2201W  
 CA-HI 2201X CT 2201Y  
 CA-HI 2201Z CT 2202A  
 CA-HI 2202B CT 2202C  
 CA-HI 2202D CT 2202E  
 CA-HI 2202F CT 2202G  
 CA-HI 2202H CT 2202I  
 CA-HI 2202J CT 2202K  
 CA-HI 2202L CT 2202M  
 CA-HI 2202N CT 2202O  
 CA-HI 2202P CT 2202Q  
 CA-HI 2202R CT 2202S  
 CA-HI 2202T CT 2202U  
 CA-HI 2202V CT 2202W  
 CA-HI 2202X CT 2202Y  
 CA-HI 2202Z CT 2203A  
 CA-HI 2203B CT 2203C  
 CA-HI 2203D CT 2203E  
 CA-HI 2203F CT 2203G  
 CA-HI 2203H CT 2203I  
 CA-HI 2203J CT 2203K  
 CA-HI 2203L CT 2203M  
 CA-HI 2203N CT 2203O  
 CA-HI 2203P CT 2203Q  
 CA-HI 2203R CT 2203S  
 CA-HI 2203T CT 2203U  
 CA-HI 2203V CT 2203W  
 CA-HI 2203X CT 2203Y  
 CA-HI 2203Z CT 2204A  
 CA-HI 2204B CT 2204C  
 CA-HI 2204D CT 2204E  
 CA-HI 2204F CT 2204G  
 CA-HI 2204H CT 2204I  
 CA-HI 2204J CT 2204K  
 CA-HI 2204L CT 2204M  
 CA-HI 2204N CT 2204O  
 CA-HI 2204P CT 2204Q  
 CA-HI 2204R CT 2204S  
 CA-HI 2204T CT 2204U  
 CA-HI 2204V CT 2204W  
 CA-HI 2204X CT 2204Y  
 CA-HI 2204Z CT 2205A  
 CA-HI 2205B CT 2205C  
 CA-HI 2205D CT 2205E  
 CA-HI 2205F CT 2205G  
 CA-HI 2205H CT 2205I  
 CA-HI 2205J CT 2205K  
 CA-HI 2205L CT 2205M  
 CA-HI 2205N CT 2205O  
 CA-HI 2205P CT 2205Q  
 CA-HI 2205R CT 2205S  
 CA-HI 2205T CT 2205U  
 CA-HI 2205V CT 2205W  
 CA-HI 2205X CT 2205Y  
 CA-HI 2205Z CT 2206A  
 CA-HI 2206B CT 2206C  
 CA-HI 2206D CT 2206E  
 CA-HI 2206F CT 2206G  
 CA-HI 2206H CT 2206I  
 CA-HI 2206J CT 2206K  
 CA-HI 2206L CT 2206M  
 CA-HI 2206N CT 2206O  
 CA-HI 2206P CT 2206Q  
 CA-HI 2206R CT 2206S  
 CA-HI 2206T CT 2206U  
 CA-HI 2206V CT 2206W  
 CA-HI 2206X CT 2206Y  
 CA-HI 2206Z CT 2207A  
 CA-HI 2207B CT 2207C  
 CA-HI 2207D CT 2207E  
 CA-HI 2207F CT 2207G  
 CA-HI 2207H CT 2207I  
 CA-HI 2207J CT 2207K  
 CA-HI 2207L CT 2207M  
 CA-HI 2207N CT 2207O  
 CA-HI 2207P CT 2207Q  
 CA-HI 2207R CT 2207S  
 CA-HI 2207T CT 2207U  
 CA-HI 2207V CT 2207W  
 CA-HI 2207X CT 2207Y  
 CA-HI 2207Z CT 2208A  
 CA-HI 2208B CT 2208C  
 CA-HI 2208D CT 2208E  
 CA-HI 2208F CT 2208G  
 CA-HI 2208H CT 2208I  
 CA-HI 2208J CT 2208K  
 CA-HI 2208L CT 2208M  
 CA-HI 2208N CT 2208O  
 CA-HI 2208P CT 2208Q  
 CA-HI 2208R CT 2208S  
 CA-HI 2208T CT 2208U  
 CA-HI 2208V CT 2208W  
 CA-HI 2208X CT 2208Y  
 CA-HI 2208Z CT 2209A  
 CA-HI 2209B CT 2209C  
 CA-HI 2209D CT 2209E  
 CA-HI 2209F CT 2209G  
 CA-HI 2209H CT 2209I  
 CA-HI 2209J CT 2209K  
 CA-HI 2209L CT 2209M  
 CA-HI 2209N CT 2209O  
 CA-HI 2209P CT 2209Q  
 CA-HI 2209R CT 2209S  
 CA-HI 2209T CT 2209U  
 CA-HI 2209V CT 2209W  
 CA-HI 2209X CT 2209Y  
 CA-HI 2209Z CT 2210A  
 CA-HI 2210B CT 2210C  
 CA-HI 2210D CT 2210E  
 CA-HI 2210F CT 2210G  
 CA-HI 2210H CT 2210I  
 CA-HI 2210J CT 2210K  
 CA-HI 2210L CT 2210M  
 CA-HI 2210N CT 2210O  
 CA-HI 2210P CT 2210Q  
 CA-HI 2210R CT 2210S  
 CA-HI 2210T CT 2210U  
 CA-HI 2210V CT 2210W  
 CA-HI 2210X CT 2210Y  
 CA-HI 2210Z CT 2211A  
 CA-HI 2211B CT 2211C  
 CA-HI 2211D CT 2211E  
 CA-HI 2211F CT 2211G  
 CA-HI 2211H CT 2211I  
 CA-HI 2211J CT 2211K  
 CA-HI 2211L CT 2211M  
 CA-HI 2211N CT 2211O  
 CA-HI 2211P CT 2211Q  
 CA-HI 2211R CT 2211S  
 CA-HI 2211T CT 2211U  
 CA-HI 2211V CT 2211W  
 CA-HI 2211X CT 2211Y  
 CA-HI 2211Z CT 2212A  
 CA-HI 2212B CT 2212C  
 CA-HI 2212D CT 2212E  
 CA-HI 2212F CT 2212G  
 CA-HI 2212H CT 2212I  
 CA-HI 2212J CT 2212K  
 CA-HI 2212L CT 2212M  
 CA-HI 2212N CT 2212O  
 CA-HI 2212P CT 2212Q  
 CA-HI 2212R CT 2212S  
 CA-HI 2212T CT 2212U  
 CA-HI 2212V CT 2212W  
 CA-HI 2212X CT 2212Y  
 CA-HI 2212Z CT 2213A  
 CA-HI 2213B CT 2213C  
 CA-HI 2213D CT 2213E  
 CA-HI 2213F CT 2213G  
 CA-HI 2213H CT 2213I  
 CA-HI 2213J CT 2213K  
 CA-HI 2213L CT 2213M  
 CA-HI 2213N CT 2213O  
 CA-HI 2213P CT 2213Q  
 CA-HI 2213R CT 2213S  
 CA-HI 2213T CT 2213U  
 CA-HI 2213V CT 2213W  
 CA-HI 2213X CT 2213Y  
 CA-HI 2213Z CT 2214A  
 CA-HI 2214B CT 2214C  
 CA-HI 2214D CT 2214E  
 CA-HI 2214F CT 2214G  
 CA-HI 2214H CT 2214I  
 CA-HI 2214J CT 2214K  
 CA-HI 2214L CT 2214M  
 CA-HI 2214N CT 2214O  
 CA-HI 2214P CT 2214Q  
 CA-HI 2214R CT 2214S  
 CA-HI 2214T CT 2214U  
 CA-HI 2214V CT 2214W  
 CA-HI 2214X CT 2214Y  
 CA-HI 2214Z CT 2215A  
 CA-HI 2215B CT 2215C  
 CA-HI 2215D CT 2215E  
 CA-HI 2215F CT 2215G  
 CA-HI 2215H CT 2215I  
 CA-HI 2215J CT 2215K  
 CA-HI 2215L CT 2215M  
 CA-HI 2215N CT 2215O  
 CA-HI 2215P CT 2215Q  
 CA-HI 2215R CT 2215S  
 CA-HI 2215T CT 2215U  
 CA-HI 2215V CT 2215W  
 CA-HI 2215X CT 2215Y  
 CA-HI 2215Z CT 2216A  
 CA-HI 2216B CT 2216C  
 CA-HI 2216D CT 2216E  
 CA-HI 2216F CT 2216G  
 CA-HI 2216H CT 2216I  
 CA-HI 2216J CT 2216K  
 CA-HI 2216L CT 2216M  
 CA-HI 2216N CT 2216O  
 CA-HI 2216P CT 2216Q  
 CA-HI 2216R CT 2216S  
 CA-HI 2216T CT 2216U  
 CA-HI 2216V CT 2216W  
 CA-HI 2216X CT 2216Y  
 CA-HI 2216Z CT 2217A  
 CA-HI 2217B CT 2217C  
 CA-HI 2217D CT 2217E  
 CA-HI 2217F CT 2217G  
 CA-HI 2217H CT 2217I  
 CA-HI 2217J CT 2217K  
 CA-HI 2217L CT 2217M  
 CA-HI 2217N CT 2217O  
 CA-HI 2217P CT 2217Q  
 CA-HI 2217R CT 2217S  
 CA-HI 2217T CT 2217U  
 CA-HI 2217V CT 2217W  
 CA-HI 2217X CT 2217Y  
 CA-HI 2217Z CT 2218A  
 CA-HI 2218B CT 2218C  
 CA-HI 2218D CT 2218E  
 CA-HI 2218F CT 2218G  
 CA-HI 2218H CT 2218I  
 CA-HI 2218J CT 2218K  
 CA-HI 2218L CT 2218M  
 CA-HI 2218N CT 2218O  
 CA-HI 2218P CT 2218Q  
 CA-HI 2218R CT 2218S  
 CA-HI 2218T CT 2218U  
 CA-HI 2218V CT 2218W  
 CA-HI 2218X CT 2218Y  
 CA-HI 2218Z CT 2219A  
 CA-HI 2219B CT 2219C  
 CA-HI 2219D CT 2219E  
 CA-HI 2219F CT 2219G  
 CA-HI 2219H CT 2219I  
 CA-HI 2219J CT 2219K  
 CA-HI 2219L CT 2219M  
 CA-HI 2219N CT 2219O  
 CA-HI 2219P CT 2219Q  
 CA-HI 2219R CT 2219S  
 CA-HI 2219T CT 2219U  
 CA-HI 2219V CT 2219W  
 CA-HI 2219X CT 2219Y  
 CA-HI 2219Z CT 2220A  
 CA-HI 2220B CT 2220C  
 CA-HI 2220D CT 2220E  
 CA-HI 2220F CT 2220G  
 CA-HI 2220H CT 2220I  
 CA-HI 2220J CT 2220K  
 CA-HI 2220L CT 2220M  
 CA-HI 2220N CT 2220O  
 CA-HI 2220P CT 2220Q  
 CA-HI 2220R CT 2220S  
 CA-HI 2220T CT 2220U  
 CA-HI 2220V CT 2220W  
 CA-HI 2220X CT 2220Y  
 CA-HI 2220Z CT 2221A  
 CA-HI 2221B CT 2221C  
 CA-HI 2221D CT 2221E  
 CA-HI 2221F CT 2221G  
 CA-HI 2221H CT 2221I  
 CA-HI 2221J CT 2221K  
 CA-HI 2221L CT 2221M  
 CA-HI 2221N CT 2221O  
 CA-HI 2221P CT 2221Q  
 CA-HI 2221R CT 2221S  
 CA-HI 2221T CT 2221U  
 CA-HI 2221V CT 2221W  
 CA-HI 2221X CT 2221Y  
 CA-HI 2221Z CT 2222A  
 CA-HI 2222B CT 2222C  
 CA-HI 2222D CT 2222E  
 CA-HI 2222F CT 2222G  
 CA-HI 2222H CT 2222I  
 CA-HI 2222J CT 2222K  
 CA-HI 2222L CT 2222M  
 CA-HI 2222N CT 2222O  
 CA-HI 2222P CT 2222Q  
 CA-HI 2222R CT 2222S  
 CA-HI 2222T CT 2222U  
 CA-HI 2222V CT 2222W  
 CA-HI 2222X CT 2222Y  
 CA-HI 2222Z CT 2223A  
 CA-HI 2223B CT 2223C  
 CA-HI 2223D CT 2223E  
 CA-HI 2223F CT 2223G  
 CA-HI 2223H CT 2223I  
 CA-HI 2223J CT 2223K  
 CA-HI 2223L CT 2223M  
 CA-HI 2223N CT 2223O  
 CA-HI 2223P CT 2223Q  
 CA-HI 2223R CT 2223S  
 CA-HI 2223T CT 2223U  
 CA-HI 2223V CT 2223W  
 CA-HI 2223X CT 2223Y  
 CA-HI 2223Z CT 2224A  
 CA-HI 2224B CT 2224C  
 CA-HI 2224D CT 2224E  
 CA-HI 2224F CT 2224G  
 CA-HI 2224H CT 2224I  
 CA-HI 2224J CT 2224K  
 CA-HI 2224L CT 2224M  
 CA-HI 2224N CT 2224O  
 CA-HI 2224P CT 2224Q  
 CA-HI 2224R CT 2224S  
 CA-HI 2224T CT 2224U  
 CA-HI 2224V CT 2224W  
 CA-HI 2224X CT 2224Y  
 CA-HI 2224Z CT 2225A  
 CA-HI 2225B CT 2225C  
 CA-HI 2225D CT 2225E  
 CA-HI 2225F CT 2225G  
 CA-HI 2225H CT 2225I  
 CA-HI 2225J CT 2225K  
 CA-HI 2225L CT 2225M  
 CA-HI 2225N CT 2225O  
 CA-HI 2225P CT 2225Q  
 CA-HI 2225R CT 2225S  
 CA-HI 2225T CT 2225U  
 CA-HI 2225V CT 2225W  
 CA-HI 2225X CT 2225Y  
 CA-HI 2225Z CT 2226A  
 CA-HI 2226B CT 2226C  
 CA-HI 2226D CT 2226E  
 CA-HI 2226F CT 2226G  
 CA-HI 2226H CT 2226I  
 CA-HI 2226J CT 2226K  
 CA-HI 2226L CT 2226M  
 CA-HI 2226N CT 2226O  
 CA-HI 2226P CT 2226Q  
 CA-HI 2226R CT 2226S  
 CA-HI 2226T CT 2226U  
 CA-HI 2226V CT 2226W  
 CA-HI 2226X CT 2226Y  
 CA-HI 2226Z CT 2227A  
 CA-HI 2227B CT 2227C  
 CA-HI 2227D CT 2227E  
 CA-HI 2227F CT 2227G  
 CA-HI 2227H CT 2227I  
 CA-HI 2227J CT 2227K  
 CA-HI 2227L CT 2227M  
 CA-HI 2227N CT 2227O  
 CA-HI 2227P CT 2227Q  
 CA-HI 2227R CT 2227S  
 CA-HI 2227T CT 2227U  
 CA-HI 2227V CT 2227W  
 CA-HI 2227X CT 2227Y  
 CA-HI 2227Z CT 2228A  
 CA-HI 2228B CT 2228C  
 CA-HI 2228D CT 2228E  
 CA-HI 2228F CT 2228G  
 CA-HI 2228H CT 2228I  
 CA-HI 2228J CT 2228K  
 CA-HI 2228L CT 2228M  
 CA-HI 2228N CT 2228O  
 CA-HI 2228P CT 2228Q  
 CA-HI 2228R CT 2228S  
 CA-HI 2228T CT 2228U  
 CA-HI 2228V CT 2228W  
 CA-HI 2228X CT 2228Y  
 CA-HI 2228Z CT 2229A  
 CA-HI 2229B CT 2229C  
 CA-HI 2229D CT 2229E  
 CA-HI 2229F CT 2229G  
 CA-HI 2229H CT 2229I  
 CA-HI 2229J CT 2229K  
 CA-HI 2229L CT 2229M  
 CA-HI 2229N CT 2229O  
 CA-HI 2229P CT 2229Q  
 CA-HI 2229R CT 2229S  
 CA-HI 2229T CT 2229U  
 CA-HI 2229V CT 2229W  
 CA-HI 2229X CT 2229Y  
 CA-HI 2229Z CT 2230A  
 CA-HI 2230B CT 2230C  
 CA-HI 2230D CT 2230E  
 CA-HI 2230F CT 2230G  
 CA-HI 2230H CT 2230I  
 CA-HI 2230J CT 2230K  
 CA-HI 2230L CT 2230M  
 CA-HI 2230N CT 2230O  
 CA-HI 2230P CT 2230Q  
 CA-HI 2230R CT 2230S  
 CA-HI 2230T CT 2230U  
 CA-HI 2230V CT 2230W  
 CA-HI 2230X CT 2230Y  
 CA-HI 2230Z

28	REV PER DCR 97-116	11/14/91	12/19/91	12/19/91
REV 1	DESCRIPTION	BY	CHKD	APPD.

OPERATING VALVE NOS  
 DIAGRAM CHEM FEED SH.1  
 AND SEC SAMPLING PIPING

Maine Yankee  
 RECEIVED ELECTRICITY FOR MAINE SINCE 1972

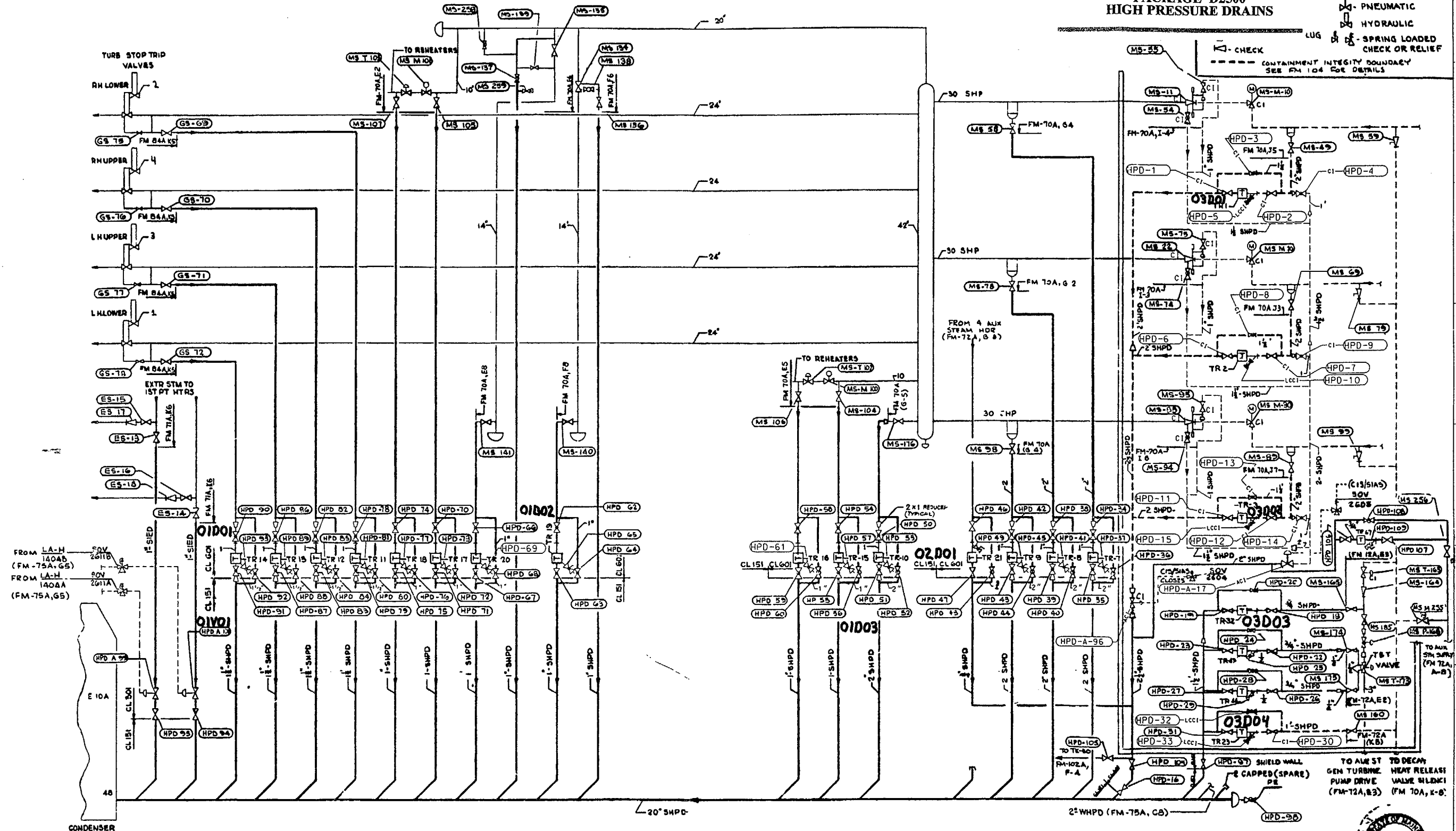
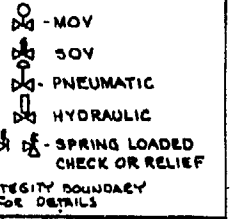
DRAWING NUMBER 11550-FM-83A



THE INFORMATION ON THIS DRAWING MAY NOT BE COPIED OR USED FOR OTHER THAN THE CONSTRUCTION, MAINTENANCE OR REPAIR OF THE PLANT FACILITY DESCRIBED IN THE TITLE BLOCK.



**PACKAGE D2500  
HIGH PRESSURE DRAINS**



FROM LA-H 50V 2011A  
 (FM-75A, 65)  
 FROM LA-H 50V 2011A  
 (FM-75A, 65)

CONDENSER  
 E 10A  
 CL 151  
 CL 152  
 CL 153  
 CL 154  
 CL 155  
 CL 156  
 CL 157  
 CL 158  
 CL 159  
 CL 160  
 CL 161  
 CL 162  
 CL 163  
 CL 164  
 CL 165  
 CL 166  
 CL 167  
 CL 168  
 CL 169  
 CL 170  
 CL 171  
 CL 172  
 CL 173  
 CL 174  
 CL 175  
 CL 176  
 CL 177  
 CL 178  
 CL 179  
 CL 180  
 CL 181  
 CL 182  
 CL 183  
 CL 184  
 CL 185  
 CL 186  
 CL 187  
 CL 188  
 CL 189  
 CL 190  
 CL 191  
 CL 192  
 CL 193  
 CL 194  
 CL 195  
 CL 196  
 CL 197  
 CL 198  
 CL 199  
 CL 200

**DECOMMISSION LEGEND**

---	NOT ASSESSED
---	AVAILABLE A1
---	AVAILABLE A2
---	AVAILABLE A3
---	LAY-UP
---	ABANDON
---	DECOMMISSIONED

NOTE  
 SEVERAL LINES INCLUDED ON THIS DRAWING HAVE BEEN REPLACED, EITHER IN FULL OR IN PART WITH CHROME-NIOBYL OR STAINLESS STEEL. REFER TO PIPE SPECS MYS-442 LATEST REVISION.

REFERENCE DWGS  
 FLOW DIAGRAM-SECONDARY HP DRAIN PIPING  
 FM 26A

THE INFORMATION ON THIS DRAWING MAY NOT BE COPIED OR USED FOR OTHER THAN THE CONSTRUCTION, MAINTENANCE OR REPAIR OF THE PLANT FACILITY DESCRIBED IN THE TITLE BLOCK.



**OPERATING VALVE NOS  
 DIAGRAM SECONDARY  
 HP DRAIN PIPING**  
 Maine Yankee  
 RELIABLE ELECTRICITY FOR MAINE SINCE 1972

26	REV PER DCR 97-116 SYSTEM RE-CLASSIFICATION	11/01	12/01	12/01	12/01
REV	DESCRIPTION	BY	CHKD	APPD	

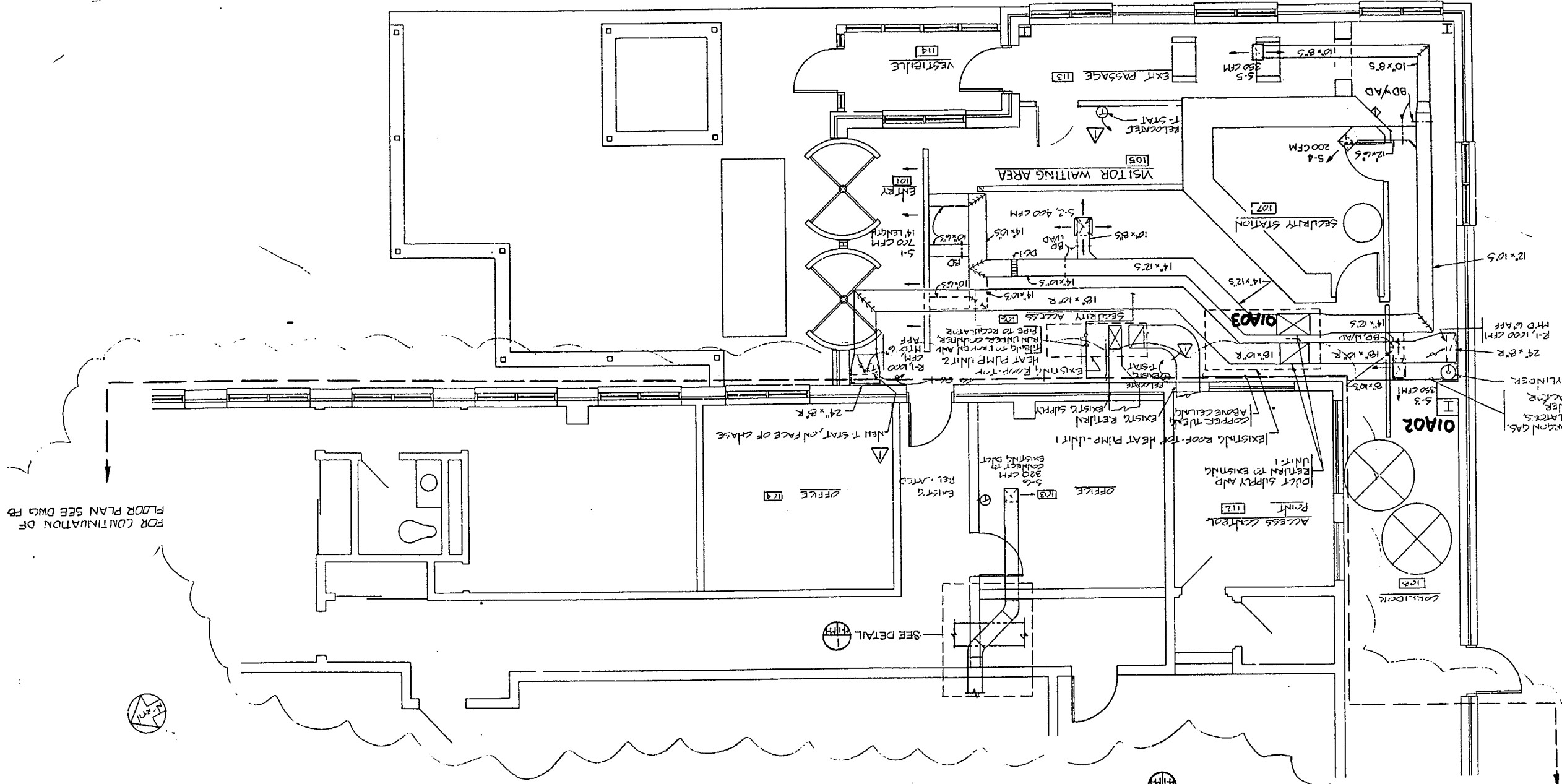
DRAWING NUMBER 11550-FM-87A

ADMINISTRATION BUILDING ADDITI  
HVAC PLAN & DETAILS  
TITLE

FLOOR PLAN - MECHANICAL

SYMBOL	KW	VOLTS	Ø	DIMENSIONS	STAGE	MANUFACTURER MODEL
DC-1	8	480	3	14" x 10"	2	INDEXED TYPE

ELECTRIC DUCT COIL

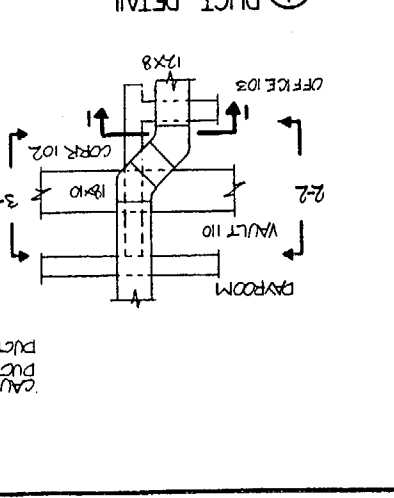
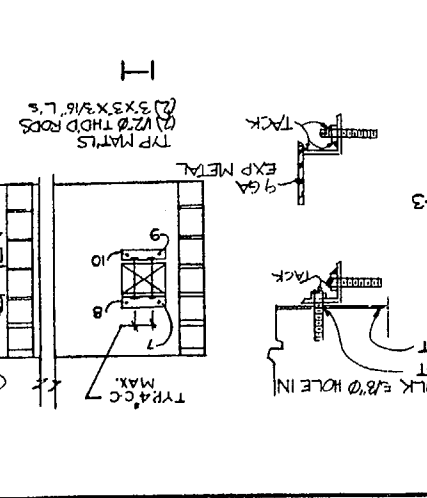
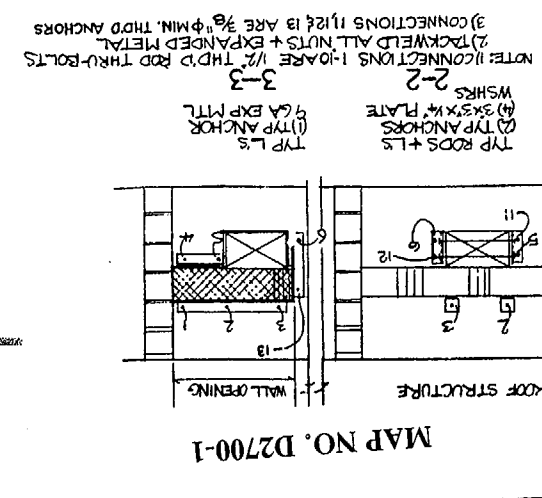


FOR CONTINUATION OF FLOOR PLAN SEE DWG FB

FOR CONTINUATION OF FLOOR PLAN SEE DWG FB-29C

**SYMBOLS**  
 RETURN IS SIDE SHOW  
 N - SUPPLY  
 N - RETURN  
 DAMPER (BD - BALANCING D PER, BDD - BACKDRAFT DAMP  
 ACCESS DOOR  
 AFF ABOVE FINISHED FLOOR  
 THERMOSTAT

**GENERAL NOTES:**  
 1. CEILING REGISTERS AND GRILLES TO BE COORDINATED WITH LIGHTING FIXTURES AND CEILING (SEE RELATED ARCHITECTURAL AND ELECTRICAL DRAWINGS)  
 2. COORDINATE ALL WORK WITH WORK OF OTHER TRADES  
 3. CONNECTIONS 1 1/2" IS ARE 3/8" Ø MIN. THRD ANCHORS



GRILLES, REGISTERS, DIFFUSERS SCHEDULE

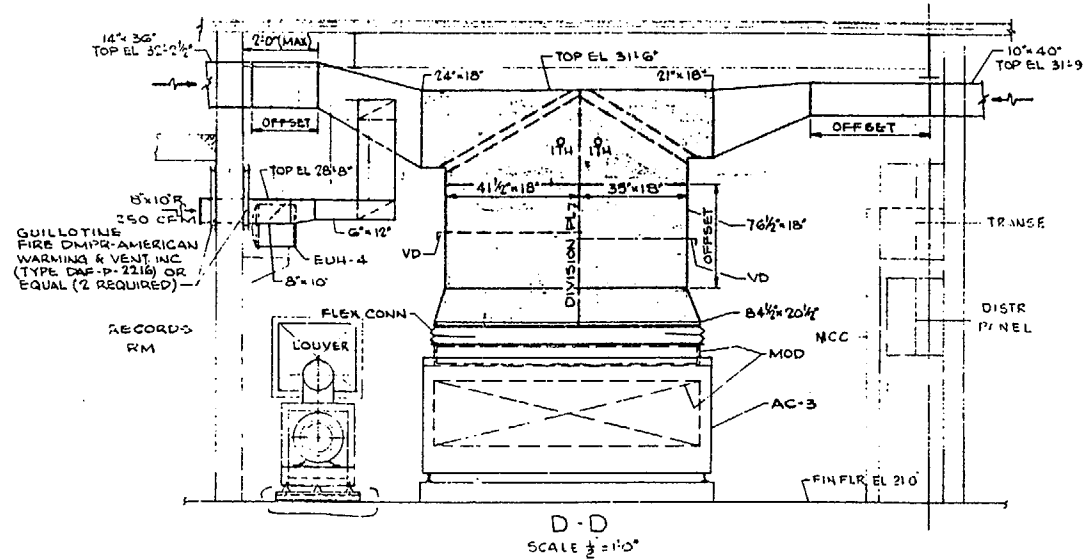
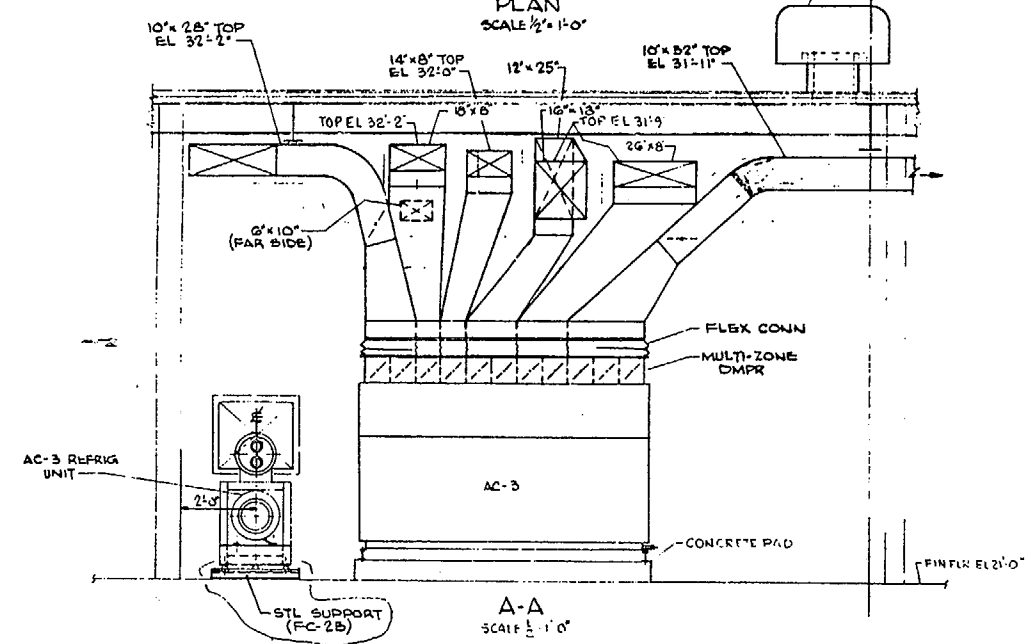
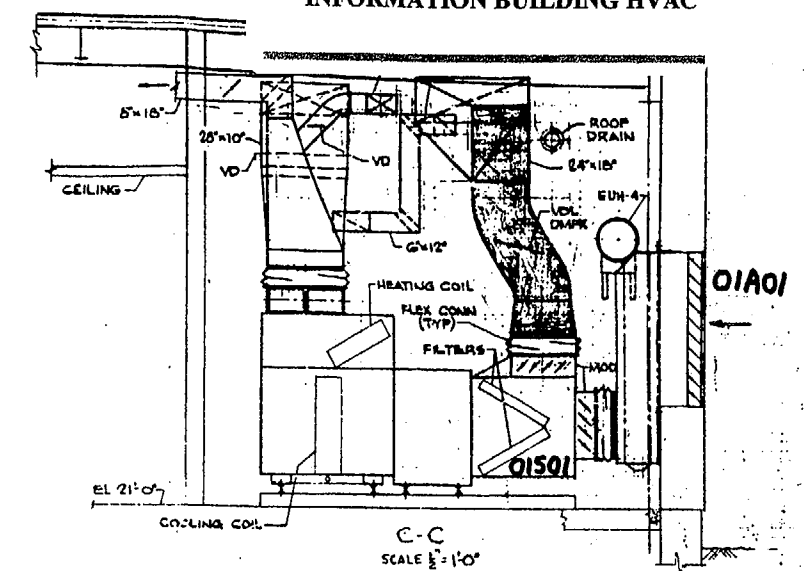
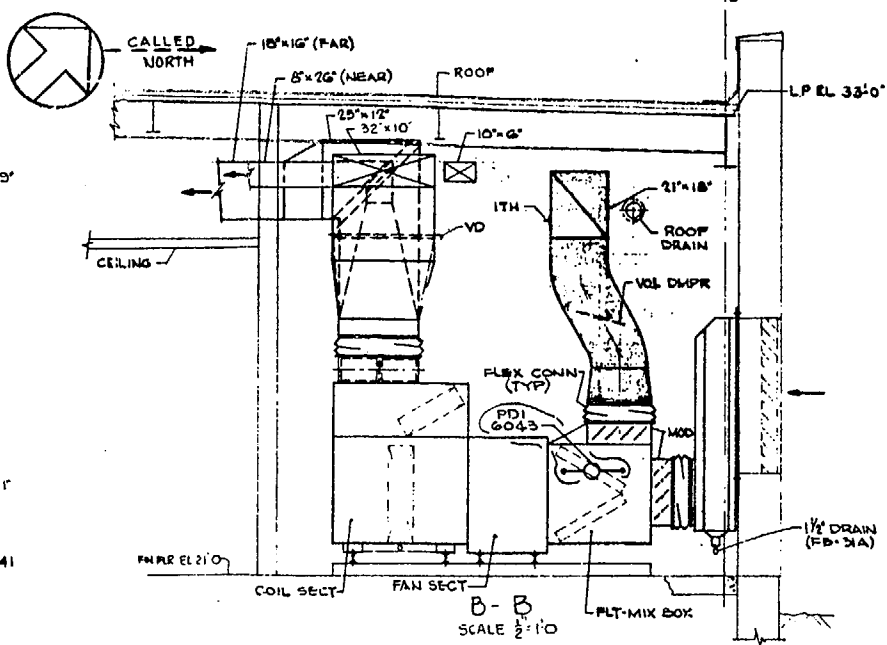
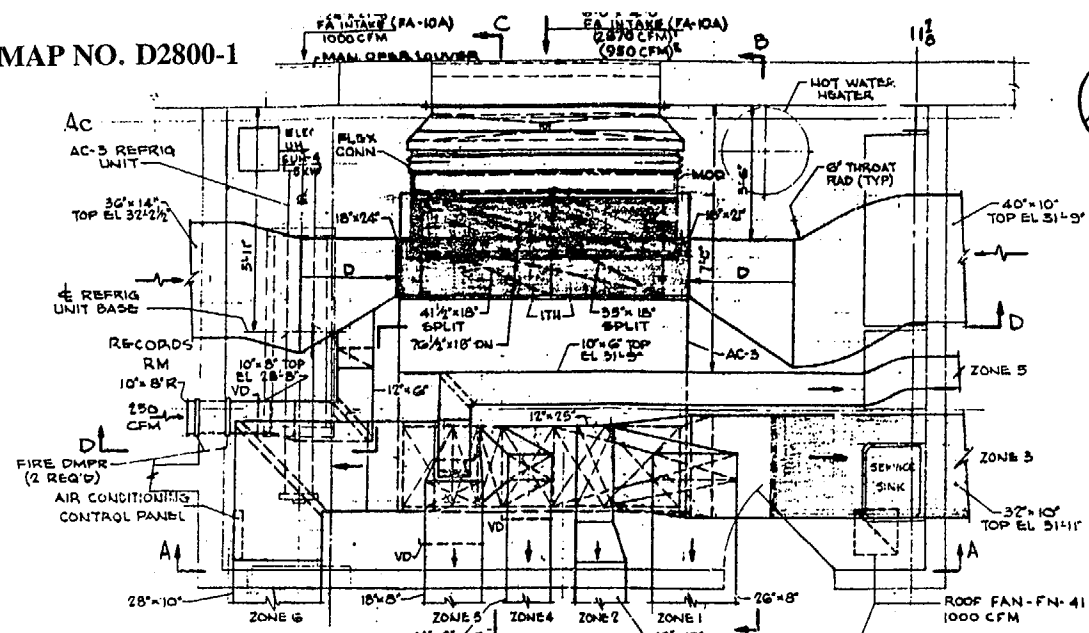
SYMBOLS	FACE SIZE	BLOW TYPE	MOUNTING	RD. MAX	TUT TLE & BALLEE MODEL	ACCESSORIES
S-1	14" LENTH + 1/2" SHOTS	ADU SD	CEILING	.05	6604EO	PATTERN CONTROLLERS
S-2	16x16	4WAY SD	CEILING	.10	MS, STYLE 4	
S-3	19.13	3WAY SD	CEILING	.10	MS, STYLE 3S	
S-4	19x19	1WAY SD	CEILING	.10	MS, STYLE 1L	
S-5	16x16	2WAY SD	CEILING	.10	MS, STYLE 2	
S-6	16x16	1WAY SD	CEILING	.10	MS, STYLE 1	
R-1	24x12	22x10	RG	CHASE	.07	NT 70D

MAP NO. D2700-1

**DURATEK**  
 PACKAGE D2700  
 ADMINISTRATION BUILDING  
 HVAC





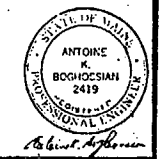


NOTES:  
SCALE AS NOTED  
NOTES & LEGEND B-29 A

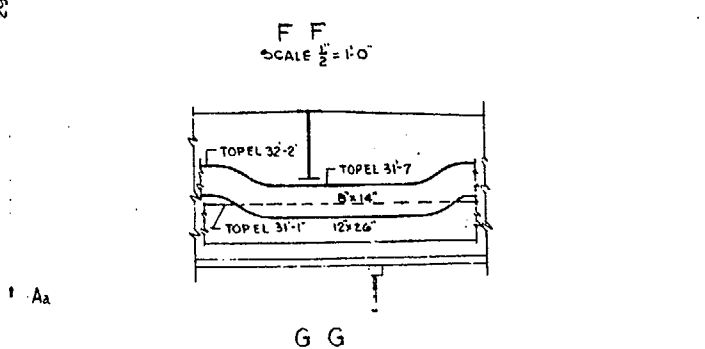
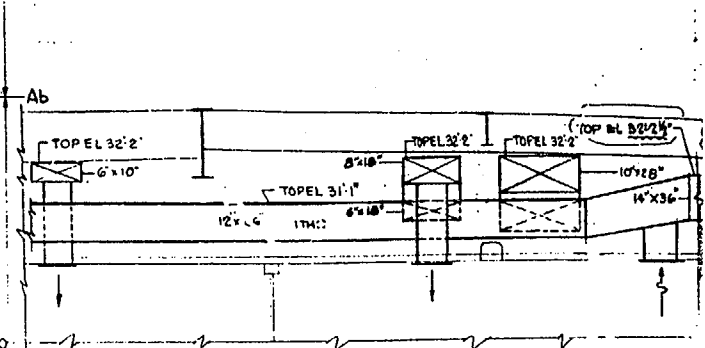
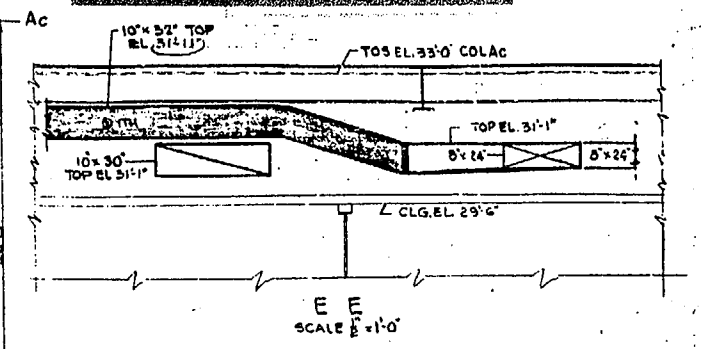
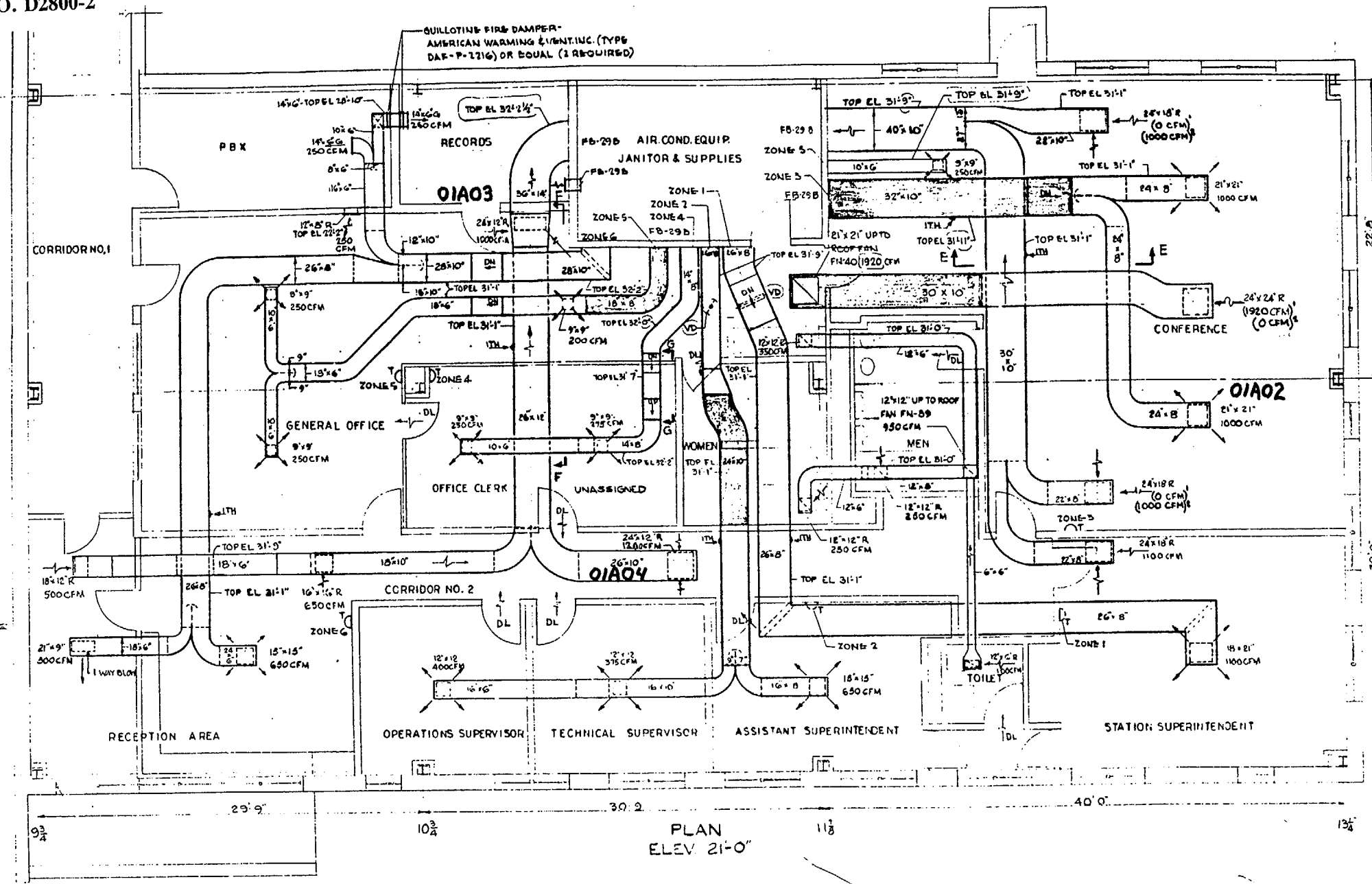
NO.	DESCRIPTION	DATE
1	PDI & REFRIG UNIT SUPPORT ADDED	1/17/70

NO.	DESCRIPTION	CHG	CHK	APP	DATE	ISSUE	DESCRIPTION	CHG	CHK	APP	DATE	ISSUE
1	DUCTWORK REVISED TO SUIT AIR COND UNIT AC-3.				1/17/70	1	DUCTWORK REVISED, FIRE DAMPERS ADDED.				1/17/70	2
2					1/17/70	3	ZONE NUMBERS ADDED				1/17/70	3
3					1/17/70	4	RE-T. AIR DUCT RAISED				1/17/70	4
4					1/17/70	5					1/17/70	5

THE INFORMATION ON THIS DRAWING MAY NOT BE COPIED OR USED FOR OTHER THAN THE CONSTRUCTION, MAINTENANCE OR REPAIR OF THE PLANT FACILITY DESCRIBED IN THE TITLE BLOCK.



VENTILATION & AIR CONDITIONING  
OFFICE BUILDING SH. 2  
ATOMIC POWER STATION  
MAINE YANKEE ATOMIC POWER COMPANY  
WISCASSET, MAINE  
STONE & WEBSTER ENGINEERING CORPORATION  
BOSTON, MASS.  
DRAWING NUMBER 11550-FB-29B



**NOTES:**  
 SCALE 1/4" = 1'-0" UNLESS OTHERWISE NOTED  
 DUCTWORK NOT DIMENSIONED TO BE LOCATED IN FIELD  
 HANGERS & SUPPORTS TO BE PROVIDED IN FIELD  
 LEGEND STD. MB 5A, 5B & 5C  
 REFLECTED CEILING PLAN - FA-10A  
 ELEVATIONS OF DUCTWORK ARE TO SHEET METAL AND  
 DO NOT INCLUDE INSULATION  
 ROOF FAN LOCATIONS - FA-10A  
 ALL SUPPLY DIFFUSERS ARE FOURWAY BLOW EXCEPT AS NOTED  
 SHADED DUCTWORK TO HAVE 1" ACOUSTIC LINING ON INSIDE  
 I.T.H. - INSTRUMENT TEST HOLE  
 (CFM)<sup>1</sup> RATED AIR QUANTITIES DURING PLANT CONSTRUCTION  
 (CFM)<sup>2</sup> RATED AIR QUANTITIES AFTER PLANT CONSTRUCTION  
 DUCTWORK SPEC - MYS-1907  
 INSULATION SPEC - MYS-2601

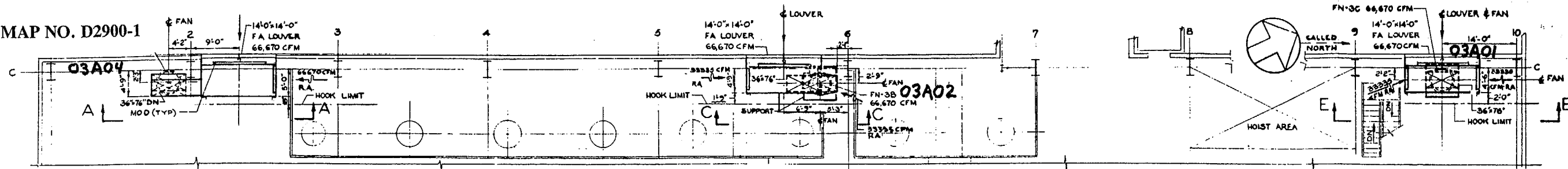


VENTILATION & AIR CONDITIONING  
 OFFICE BUILDING SH 1  
 ATOMIC POWER STATION  
 MAINE YANKEE ATOMIC POWER COMPANY  
 WISCASSET, MAINE  
 STONE & WEBSTER ENGINEERING CORPORATION  
 BOSTON, MAINE  
 DRAWING NUMBER 11550-FB-29A

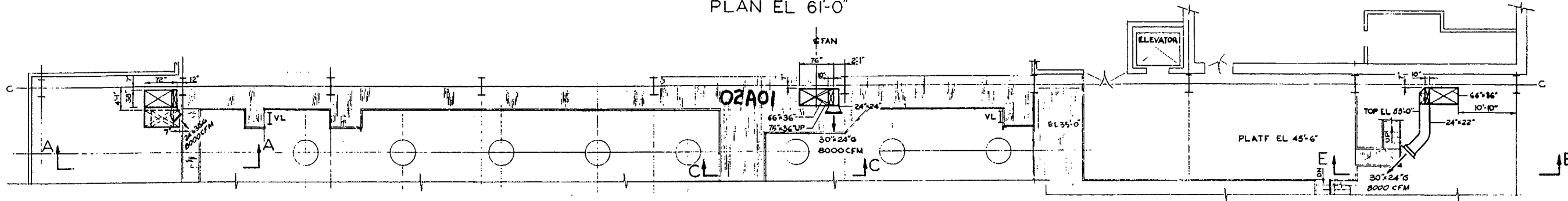
THE INFORMATION ON THIS DRAWING MAY NOT BE COPIED OR USED FOR OTHER THAN THE CONSTRUCTION, MAINTENANCE OR REPAIR OF THE PLANT FACILITY DESCRIBED IN THE TITLE BLOCK.

NO.	DESCRIPTION	DATE	BY	CHKD.	APPR.
1	FN-40 AIR QTY CHGD, MINOR CHANGES, NOTES ADDED.	12/22/71	WJK	WJK	
2	DUCTWORK REV, FIRE DMPR ADDED.	1/14/72	WJK	WJK	
3	ZONE THERMO-STATS & ZONE NUMBERS ADDED.	1/14/72	WJK	WJK	
4	RET. AIR DUCT RAISED, MINOR AIR QUAN. CHANGES.	1/14/72	WJK	WJK	
5	DOORLOWERS, ACOUSTIC LINING, DAMPERS, INSTRUMENT HOLES, NOTES ADDED.	1/14/72	WJK	WJK	

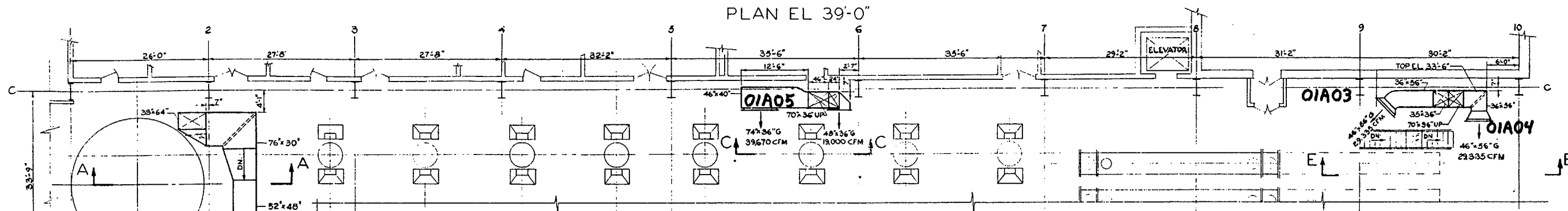
MAP NO. D2900-1



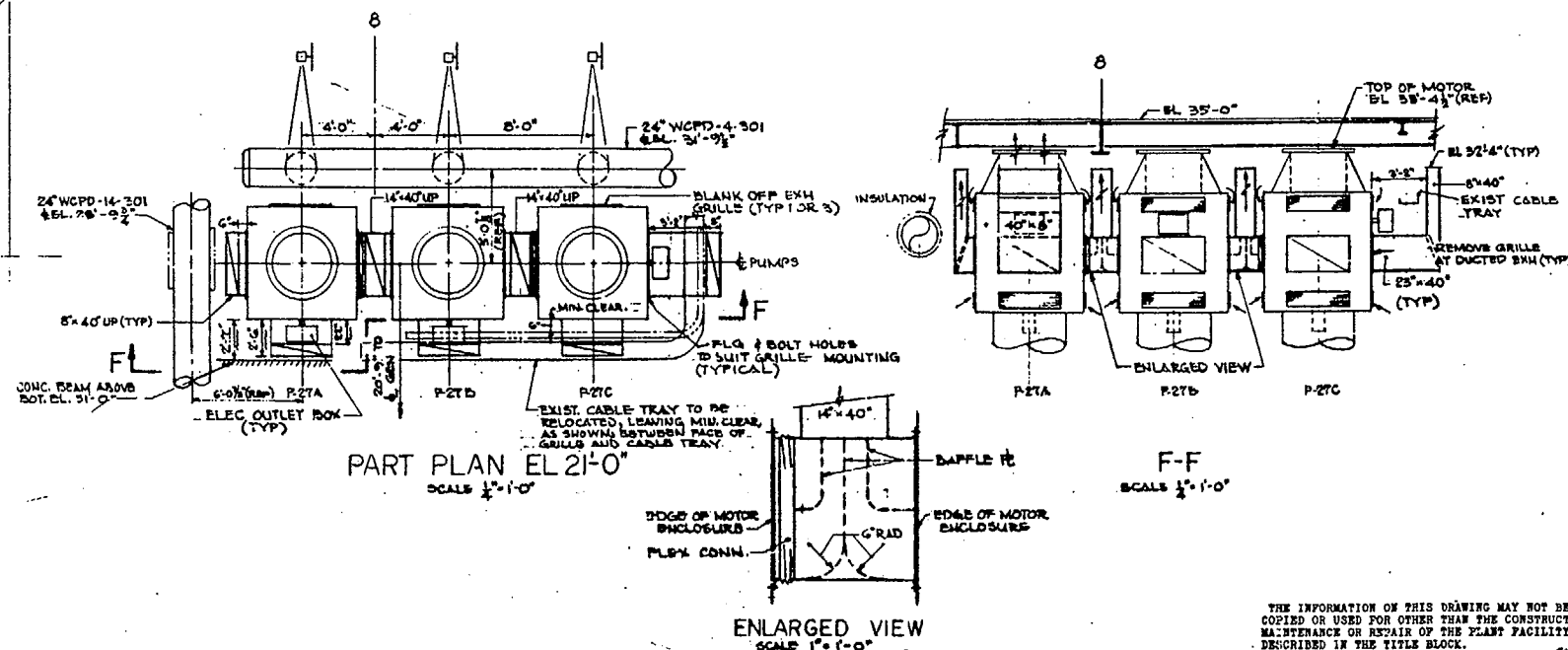
PLAN EL 61'-0"



PLAN EL 39'-0"



PLAN EL 21'-0"



PART PLAN EL 21'-0"  
SCALE 1/2"=1'-0"

F-F  
SCALE 1/2"=1'-0"

ENLARGED VIEW  
SCALE 1"=1'-0"

NOTES  
SCALE: 1/8"=1'-0" OR AS NOTED  
DUCTWORK NOT DIMENSIONED TO BE LOCATED IN FIELD.  
HANDERS AND SUPPORTS TO BE PROVIDED IN FIELD.  
LEGEND S#W STD SA, SB # 5C.  
SHADED DUCTWORK TO HAVE 1" ACOUSTIC LINING ON INSIDE (EXCEPT AS NOTED).  
ALL DUCT DIMENSIONS ARE CLEAR INSIDE.  
LOCATION OF FRESH AIR LOUVERS - FA-2C.  
I.T.H. - INSTRUMENT TEST HOLE  
DUCTWORK 806C - MYS-1907

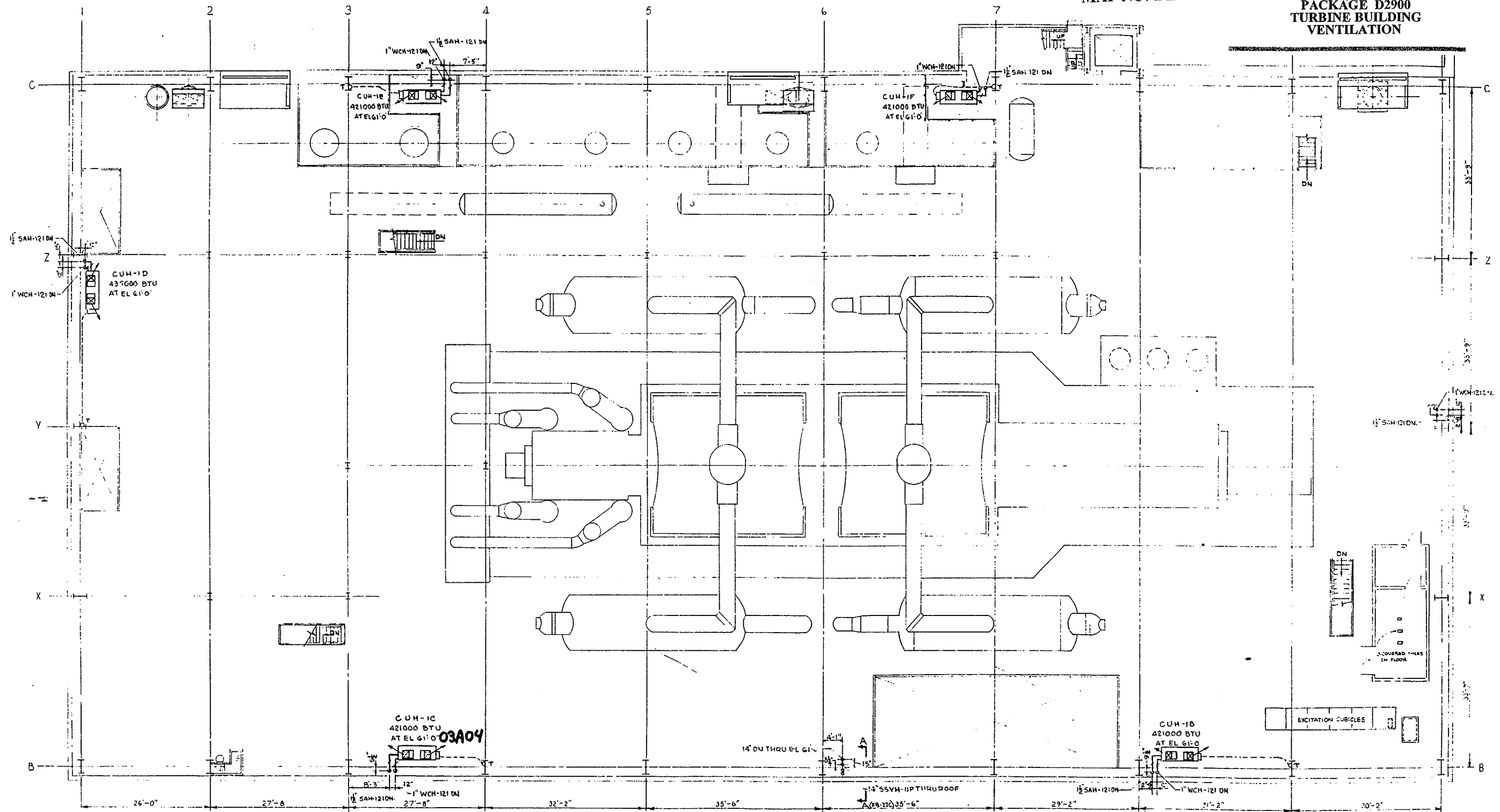
**BURATEK**  
PACKAGE D2900  
TURBINE BUILDING  
VENTILATION

VENTILATION SH. I  
TURBINE AREA  
ATOMIC POWER STATION  
MAINE YANKEE ATOMIC POWER COMPANY  
WISCASSET, MAINE

STONE & WEBSTER ENGINEERING CORPORATION  
BOSTON, MASS.  
DRAWING NUMBER 11550-FB-21A

THE INFORMATION OF THIS DRAWING MAY NOT BE COPIED OR USED FOR OTHER THAN THE CONSTRUCTION, MAINTENANCE OR REPAIR OF THE PLANT FACILITY DESCRIBED IN THE TITLE BLOCK.

REV	DESCRIPTION	CHG	COM	APP	DATE	REV	DESCRIPTION	CHG	COM	APP	DATE	REV	DESCRIPTION	CHG	COM	APP	DATE
1	REV PER DXR 90-342					1	PART PLAN, SEC F-F, ENLARGED VIEW & NOTE ADDED					1	DUCT REVISED				
2						2	PLENUM DIMS FIN-5B EL CHG					2	DUCT REVISED, NOTE, DRAIN & INST. TEST HOLES ADDED				
3						3						3	ORIGINAL ISSUE				



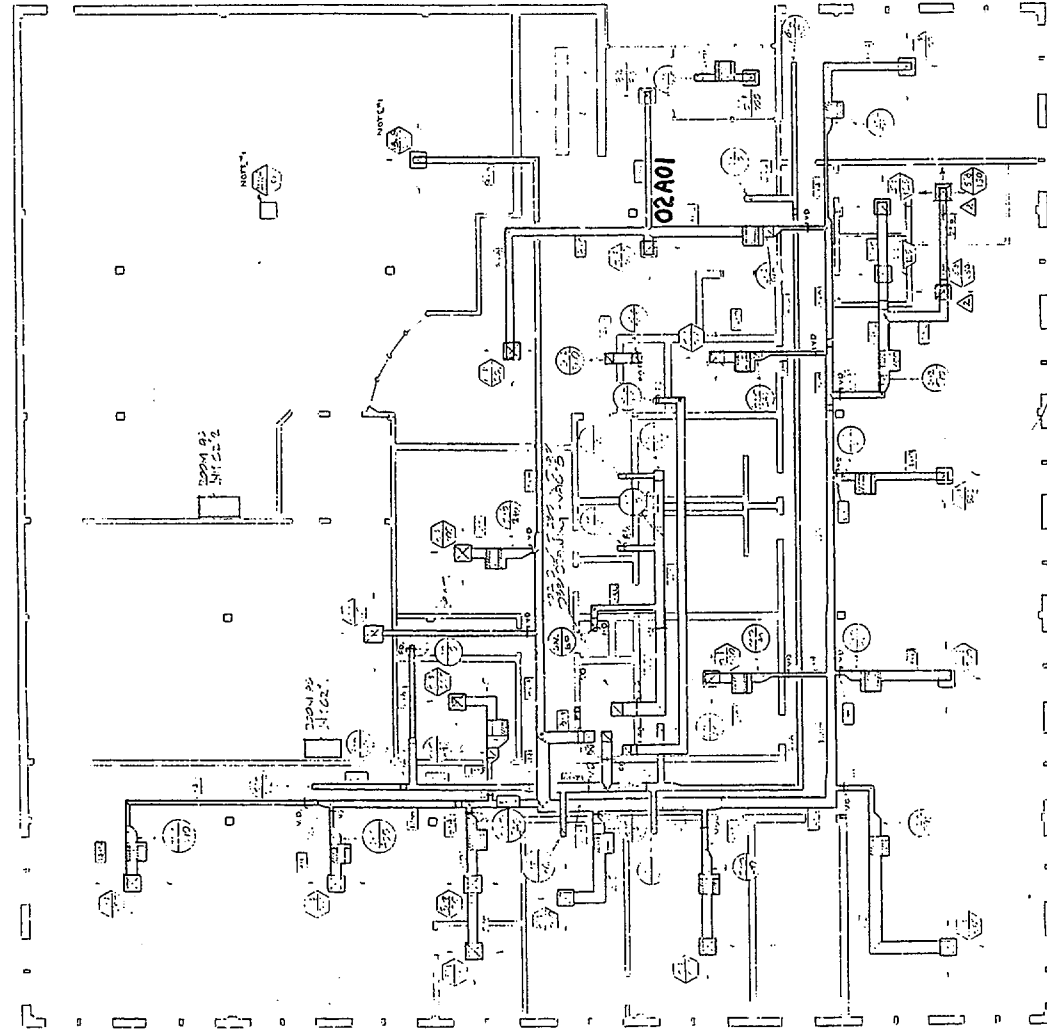
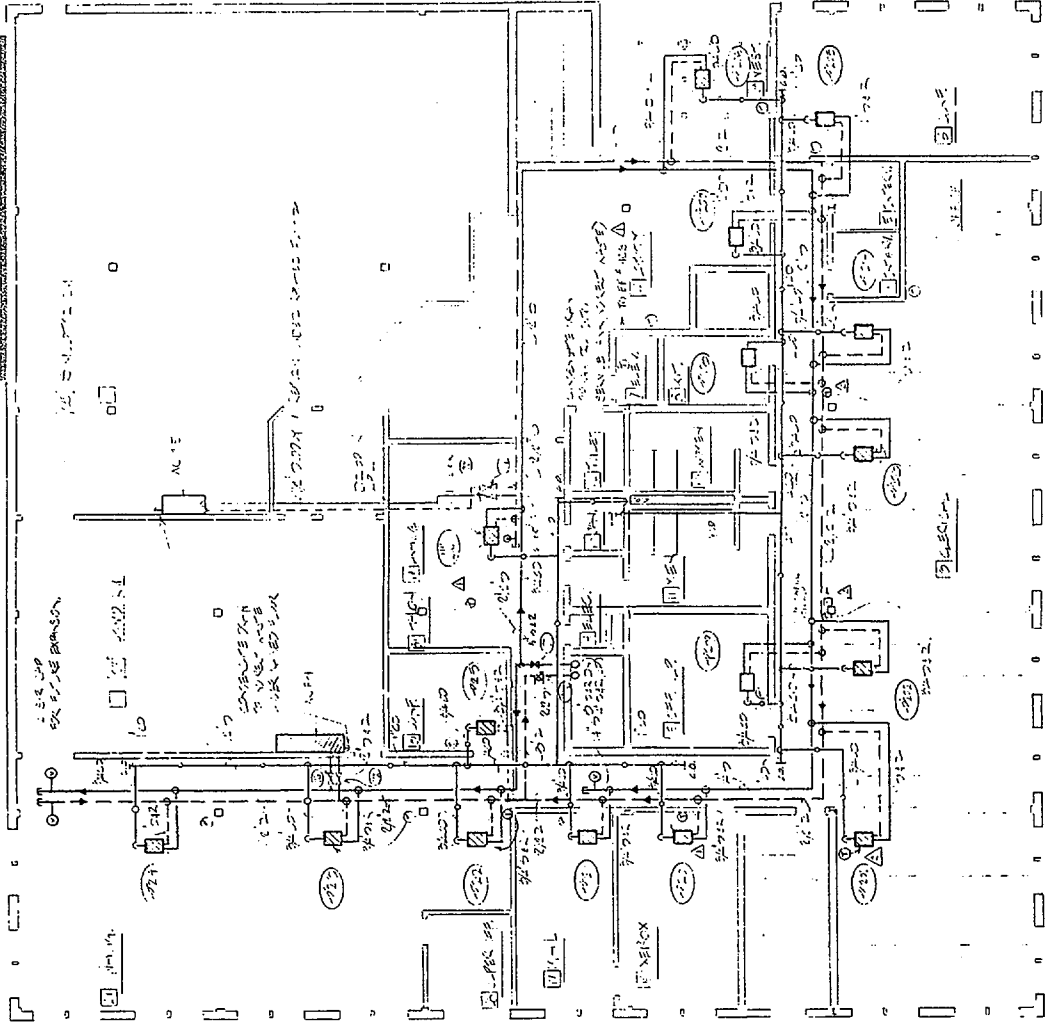
PLAN EL 61'-0" OPERATING FLOOR  
 SCALE 1/8" = 1'-0"

NOTE:  
 FOR GENERAL NOTES SEE DWG. FB-22A



HEATING  
 TURBINE AREA-SH-2  
 ATOMIC POWER STATION  
**MAINE YANKEE ATOMIC POWER COMPANY**  
 WISCASSET, MAINE  
 STONE & WEBSTER ENGINEERING CORPORATION  
 BOSTON, MASS.  
 DRAWING NUMBER **11550-FB-22B**

SUE	DESCRIPTION	CHKD	CORR	APPR	DATE	ISSUE	DESCRIPTION	CHKD	CORR	APPR	DATE	ISSUE	DESCRIPTION	CHKD	CORR	APPR	DATE	ISSUE	DESCRIPTION	CHKD	CORR	APPR	DATE	ISSUE	
5	PER EDCR 90-44						PER DCR 86-72						3-27-74	VC					4	PER DCR 86-72					
																			3	DIM. CHGD.					
																			2	SM. VENT CHGD					
																			1	ORIGINAL ISSUE					



SECOND FLOOR PLAN

SECOND FLOOR PLAN

REFRIGER ROOM AIR CONDITIONING UNITS SCHEDULE

UNIT NO.	TYPE	MANUFACTURER	MODEL	SEER	BTU/HOUR	WATTAGE	PHASE	REMARKS
1	RTU	Carrier	30C01	13	100,000	10,000	3	LABORATORY
2	RTU	Carrier	30C01	13	100,000	10,000	3	LABORATORY
3	RTU	Carrier	30C01	13	100,000	10,000	3	LABORATORY
4	RTU	Carrier	30C01	13	100,000	10,000	3	LABORATORY
5	RTU	Carrier	30C01	13	100,000	10,000	3	LABORATORY
6	RTU	Carrier	30C01	13	100,000	10,000	3	LABORATORY
7	RTU	Carrier	30C01	13	100,000	10,000	3	LABORATORY
8	RTU	Carrier	30C01	13	100,000	10,000	3	LABORATORY
9	RTU	Carrier	30C01	13	100,000	10,000	3	LABORATORY
10	RTU	Carrier	30C01	13	100,000	10,000	3	LABORATORY

UNIT NO.	TYPE	MANUFACTURER	MODEL	SEER	BTU/HOUR	WATTAGE	PHASE	REMARKS
1	RTU	Carrier	30C01	13	100,000	10,000	3	LABORATORY
2	RTU	Carrier	30C01	13	100,000	10,000	3	LABORATORY
3	RTU	Carrier	30C01	13	100,000	10,000	3	LABORATORY
4	RTU	Carrier	30C01	13	100,000	10,000	3	LABORATORY
5	RTU	Carrier	30C01	13	100,000	10,000	3	LABORATORY
6	RTU	Carrier	30C01	13	100,000	10,000	3	LABORATORY
7	RTU	Carrier	30C01	13	100,000	10,000	3	LABORATORY
8	RTU	Carrier	30C01	13	100,000	10,000	3	LABORATORY
9	RTU	Carrier	30C01	13	100,000	10,000	3	LABORATORY
10	RTU	Carrier	30C01	13	100,000	10,000	3	LABORATORY
11	RTU	Carrier	30C01	13	100,000	10,000	3	LABORATORY
12	RTU	Carrier	30C01	13	100,000	10,000	3	LABORATORY
13	RTU	Carrier	30C01	13	100,000	10,000	3	LABORATORY
14	RTU	Carrier	30C01	13	100,000	10,000	3	LABORATORY
15	RTU	Carrier	30C01	13	100,000	10,000	3	LABORATORY
16	RTU	Carrier	30C01	13	100,000	10,000	3	LABORATORY
17	RTU	Carrier	30C01	13	100,000	10,000	3	LABORATORY
18	RTU	Carrier	30C01	13	100,000	10,000	3	LABORATORY
19	RTU	Carrier	30C01	13	100,000	10,000	3	LABORATORY
20	RTU	Carrier	30C01	13	100,000	10,000	3	LABORATORY

REVISIONS

NO.	DATE	DESCRIPTION
1	11/15/00	ISSUED FOR PERMIT

SCALE

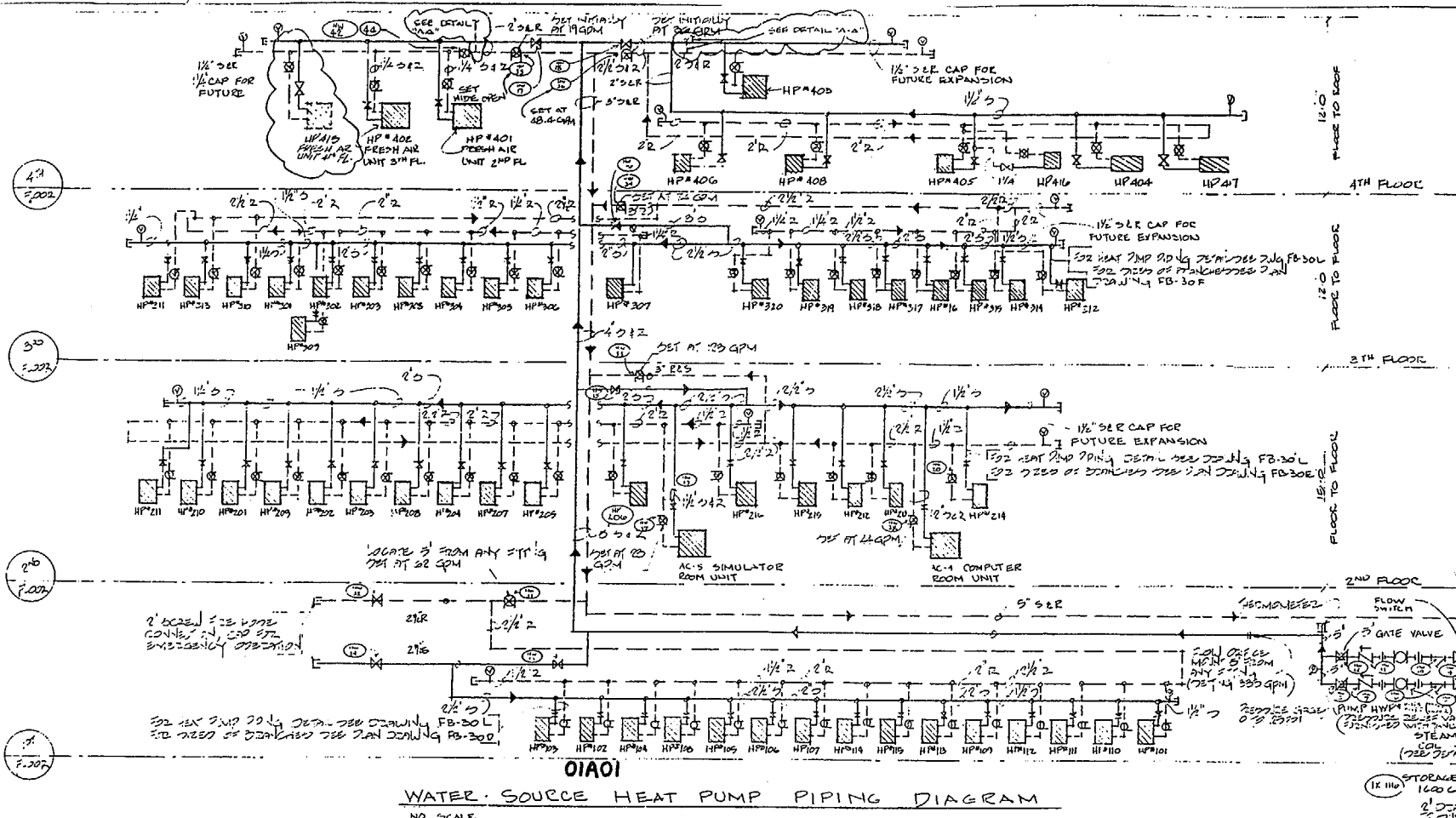
STAFF BUILDING  
 HVAC SECOND FLOOR

MAINE YANKEE  
 Atomic Power Co.  
 Wiscasset, Maine

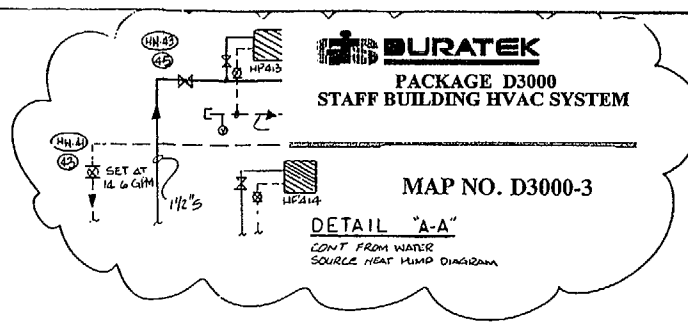
DRAWING NUMBER: 11550 - FB - 30E







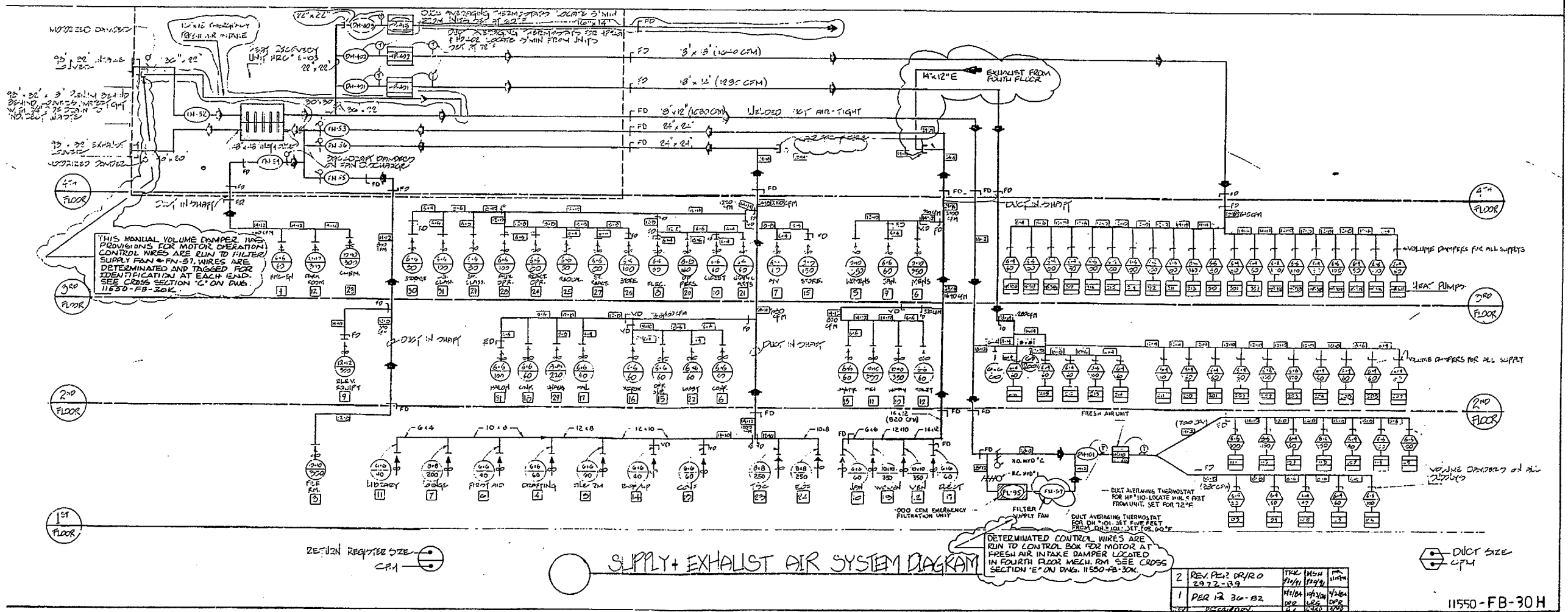
**WATER SOURCE HEAT PUMP PIPING DIAGRAM**  
NO SCALE



**DURATEK**  
PACKAGE D3000  
STAFF BUILDING HVAC SYSTEM

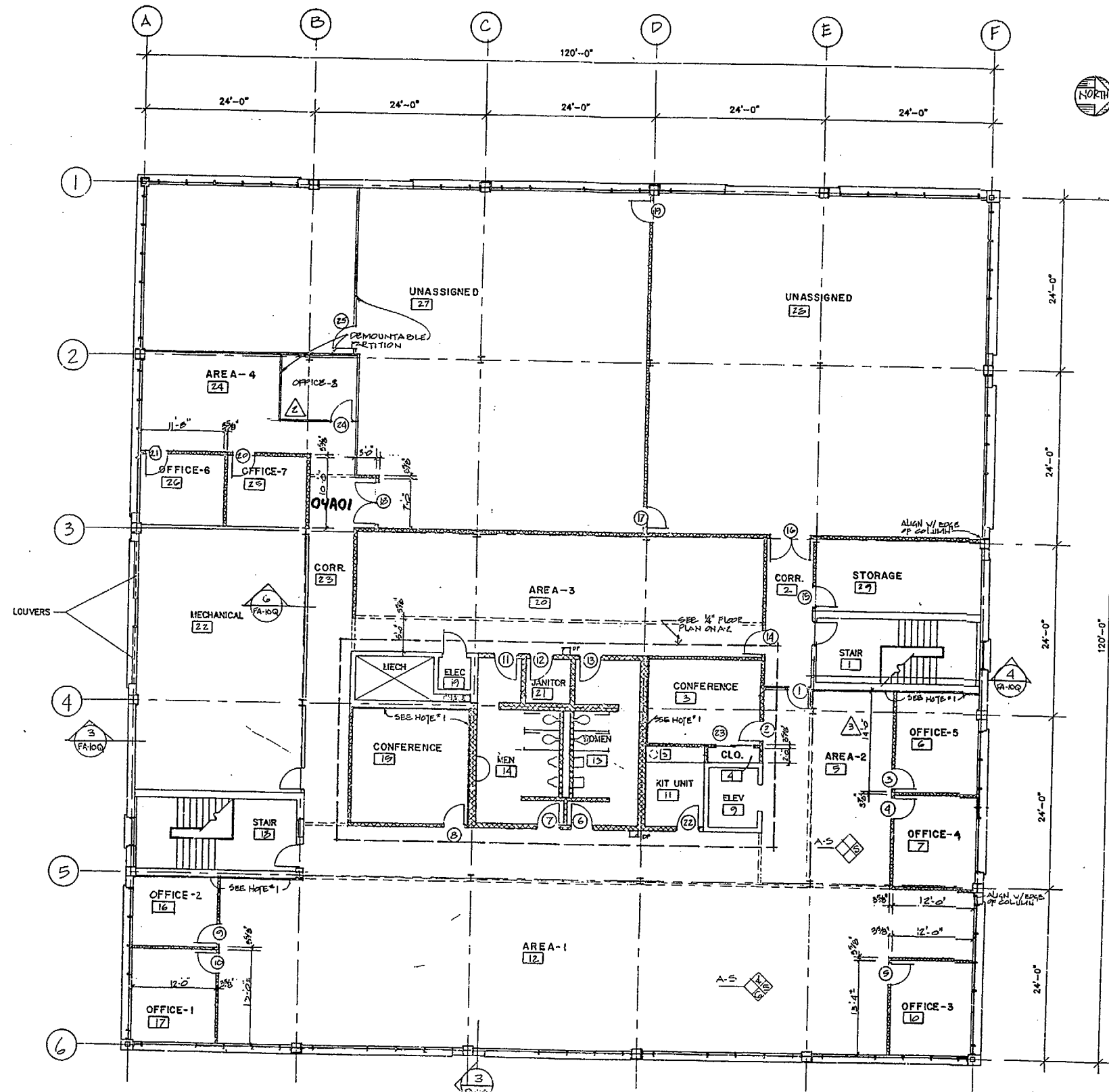
MAP NO. D3000-3

DETAIL "A-A"  
CONT. FROM WATER SOURCE HEAT PUMP DIAGRAM



**SUPPLY + EXHAUST AIR SYSTEM DIAGRAM**

2	REV. PER. DR/RO	1/24/82	11/14/82	11/14/82
1	PER. 12 30-82	11/14/82	11/14/82	11/14/82



Approximate window sizes for window dressings:

- EAST ELEVATION**
- 8 windows @ 8'-0" w x 2'-6" h
- 1 window @ 12'-0" w x 2'-6" h
- 1 window @ 4'-0" w x 2'-6" h
- NORTH ELEVATION**
- 6 windows @ 8'-0" w x 2'-6" h
- 2 windows @ 4'-0" w x 2'-6" h
- 1 window @ 12'-0" w x 2'-6" h
- WEST ELEVATION**
- 5 windows @ 8'-0" w x 2'-6" h
- 2 windows @ 4'-0" w x 2'-6" h
- 1 window @ 12'-0" w x 2'-6" h
- SOUTH ELEVATION**
- 6 windows @ 8'-0" w x 2'-6" h
- 1 window @ 20'-0" w x 2'-6" h
- 1 window @ 4'-0" w x 2'-6" h

NOTES  
 1. PROVIDE 5/8" F.L.G. GYP. DD. 0.04 1x5" STRAPPING AT 10' O.C.

**FOURTH FLOOR PLAN**  
 SCALE 1/8"=1'-0"

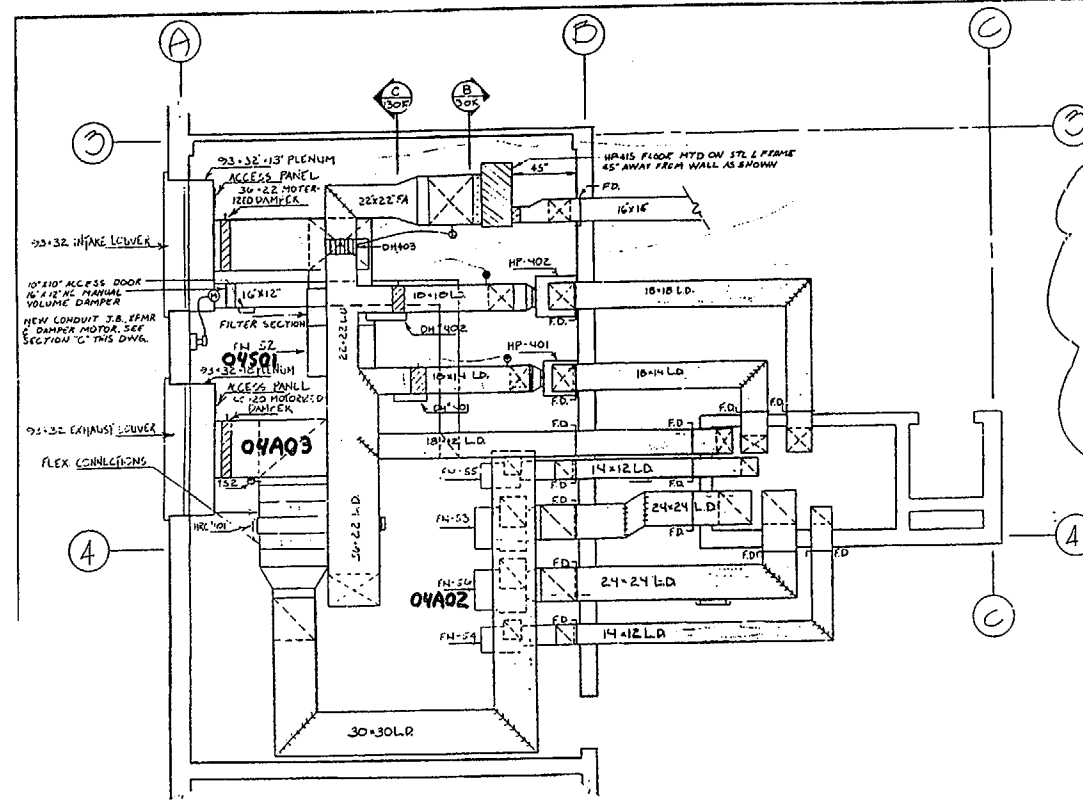
TITLE  
**STAFF BUILDING  
 FOURTH FLOOR PLAN**

**Maine Yankee Atomic Power Co.**  
 Wiscasset, Maine

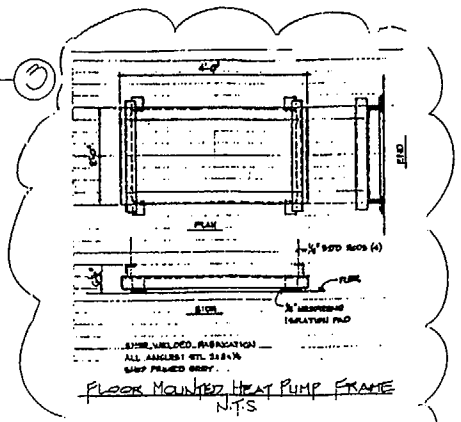
DRAWING NUMBER  
**11550-FA-10M SH-1**

REV	DESCRIPTION	BY	CHKD	APPD
0	ORIGINAL ISSUE PER DC/RO 2972-89	DVS	LFC	LFC
1		4/18/91	3/14/91	3/14/91

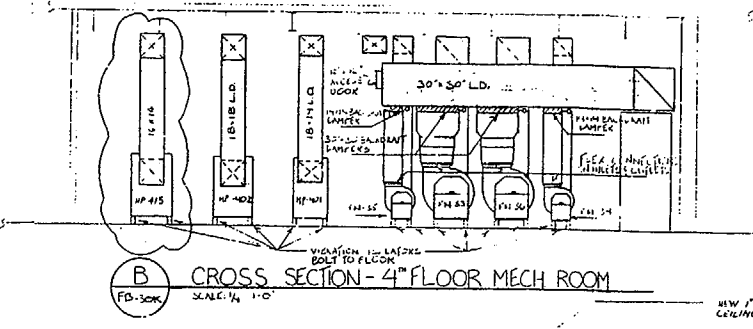




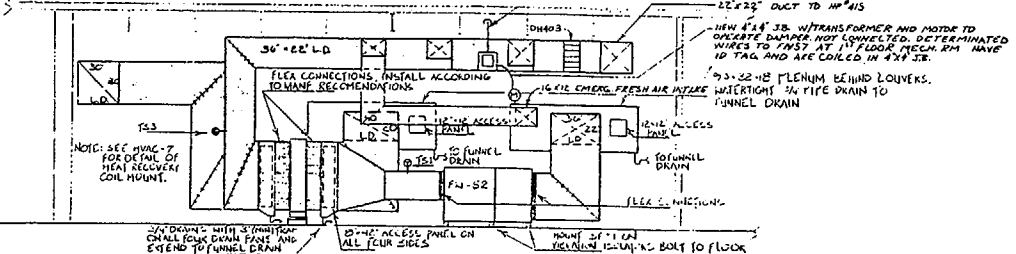
**A** 4<sup>TH</sup> FLOOR MECH. ROOM - DUCTWORK  
 FB-30K SCALE: 1/4" = 1'-0"



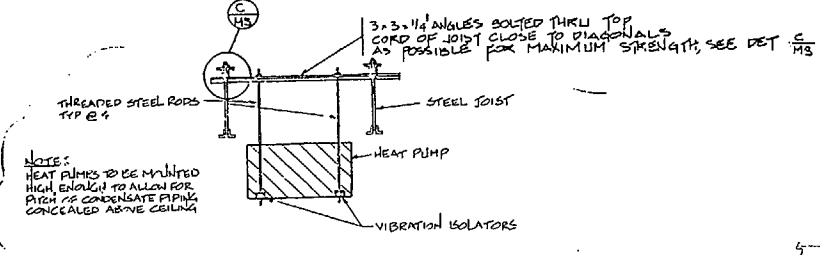
FLOOR MOUNTED HEAT PUMP FRAME  
 N.T.S.



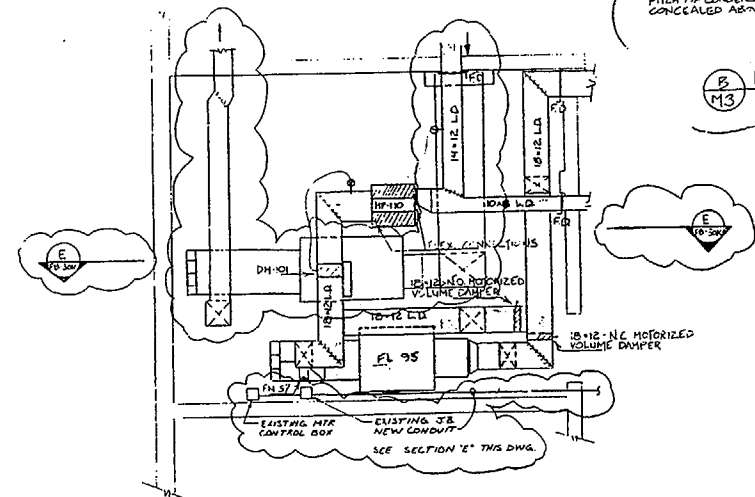
**B** CROSS SECTION - 4<sup>TH</sup> FLOOR MECH. ROOM  
 FB-30K SCALE: 1/4" = 1'-0"



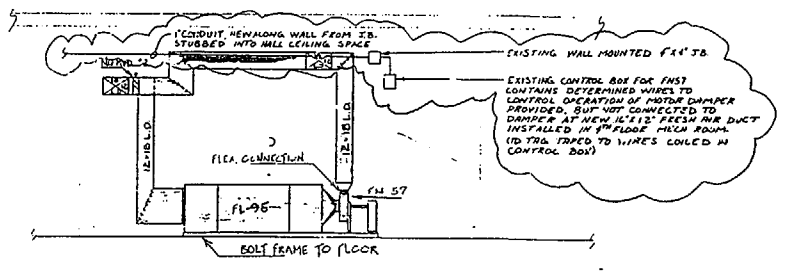
**C** CROSS SECTION - 4<sup>TH</sup> FLOOR MECH. ROOM  
 FB-30K SCALE: 1/4" = 1'-0"



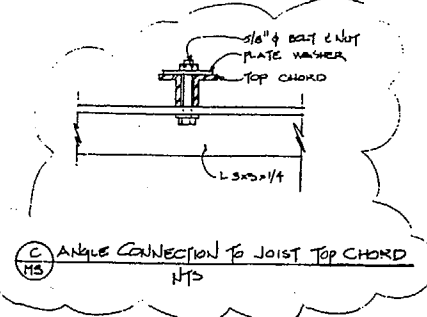
**B** HEAT PUMP SUPPORT DETAIL  
 N.T.S.



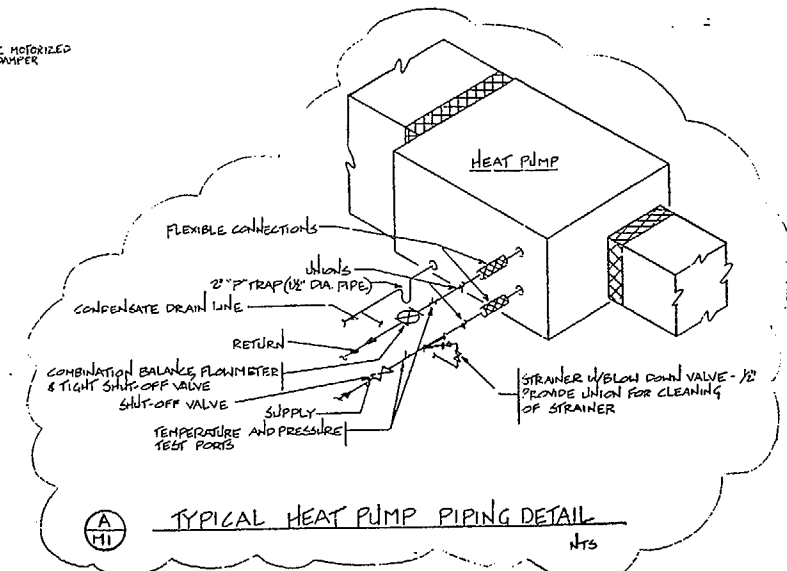
**D** FIRST FLOOR MECH. ROOM  
 FL-30K



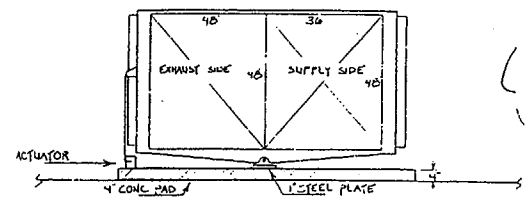
**E** CROSS SECTION - 1<sup>ST</sup> FLOOR MECH. ROOM  
 FB-30K SCALE: 1/4" = 1'-0"



**C** ANGLE CONNECTION TO JOIST TOP CHORD  
 N.T.S.



**A** TYPICAL HEAT PUMP PIPING DETAIL  
 N.T.S.



**F** DETAIL OF HEAT RECOVERY COIL MOUNTING  
 FB-30K (E-103)

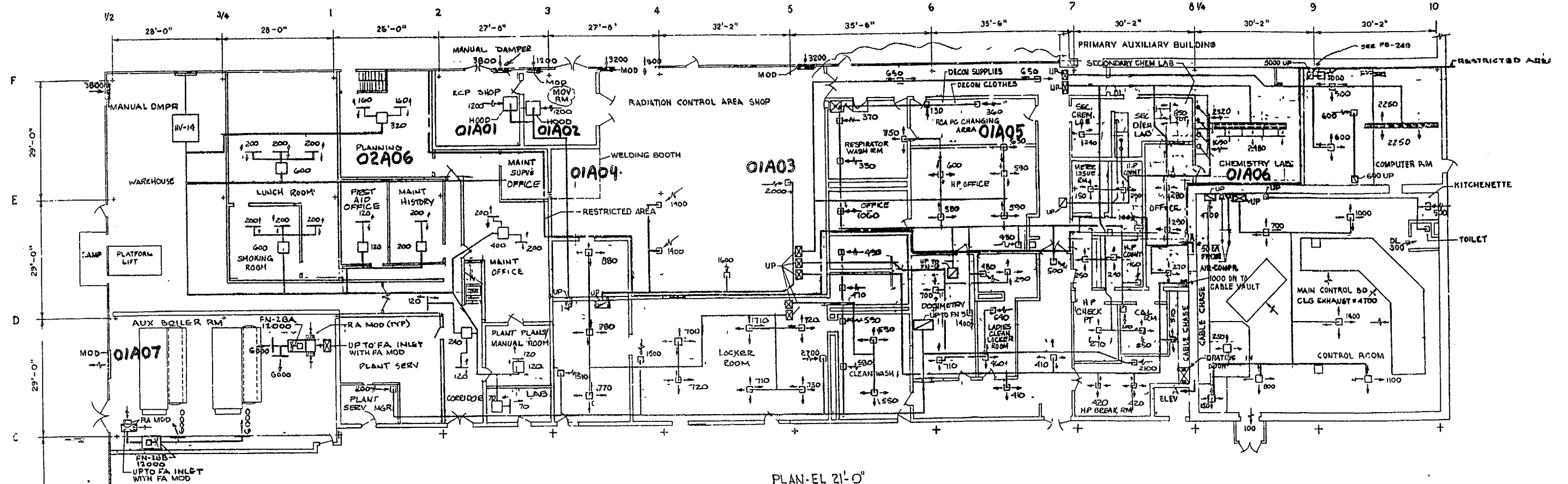
TITLE  
**STAFF BUILDING  
 HVAC FOURTH FLOOR PART PLAN**

**Maine Yankee Atomic Power Co.**  
 Wiscasset, Maine

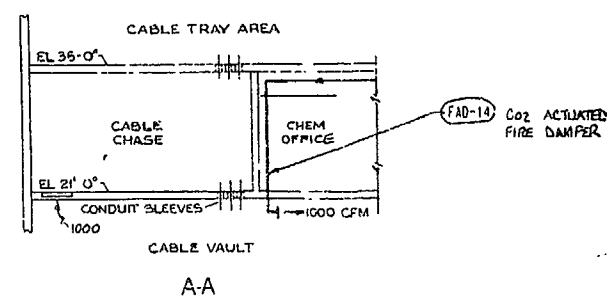
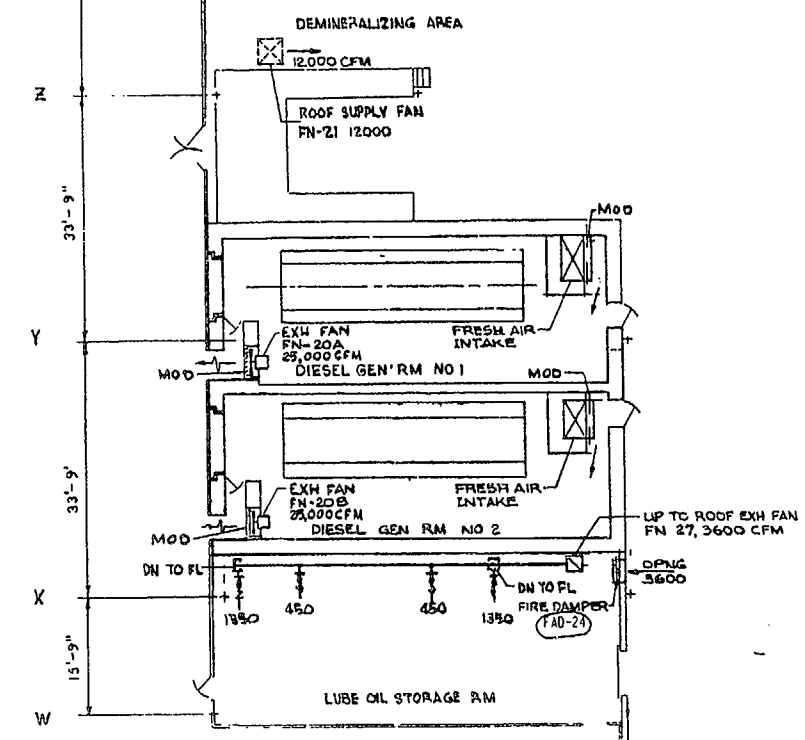
DRAWING NUMBER  
**11550-FB-30K**

2	REV PER DEC 90-16B	THE MSH	1/11/91
1	REV PER CO 10023720	MMH	1/14/91
1	PER PR 36-92	MMH	1/14/91
1	REV PER 10023720	MMH	1/14/91





PLAN-EL 21'-0"



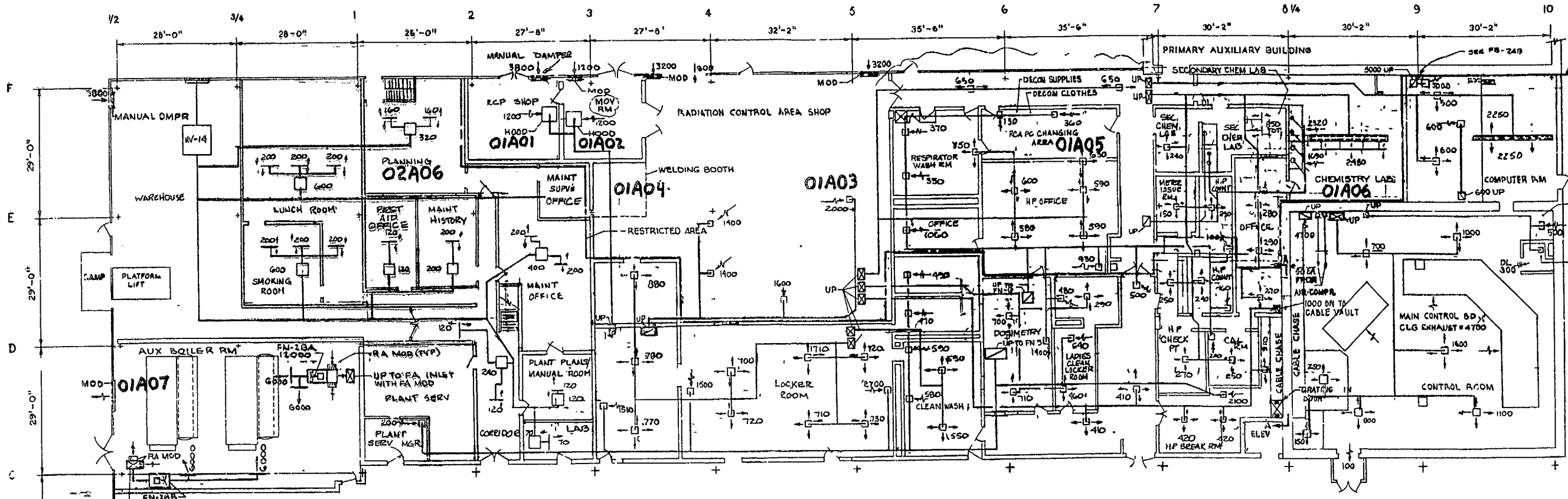
A-A

NOTES  
 NO SCALE  
 LEGEND STD-MB-5A, 5B, 5C & 5D  
 QUANTITIES ARE IN CUBIC FEET PER MIN.  
 \* COMPRESSED AIR DURING INCIDENT OPERATIONS  
 ADJUSTABLE 5 TO 40 CFM  
 @ INTERMITTENT OPERATION  
 ALL DUCTWORK & EQUIPMENT TO THE EXTENT  
 SHOWN IS 8 MP (2.4 RT. QUAKE RESISTANT)  
 SUPPORTS) SAIR TIGHT SEE SPECS

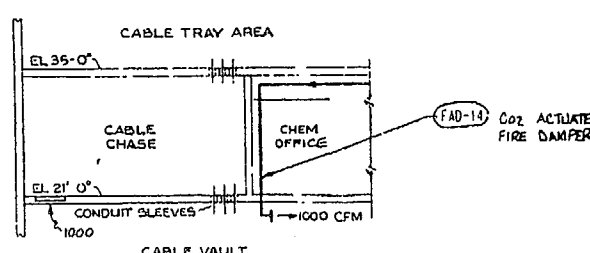
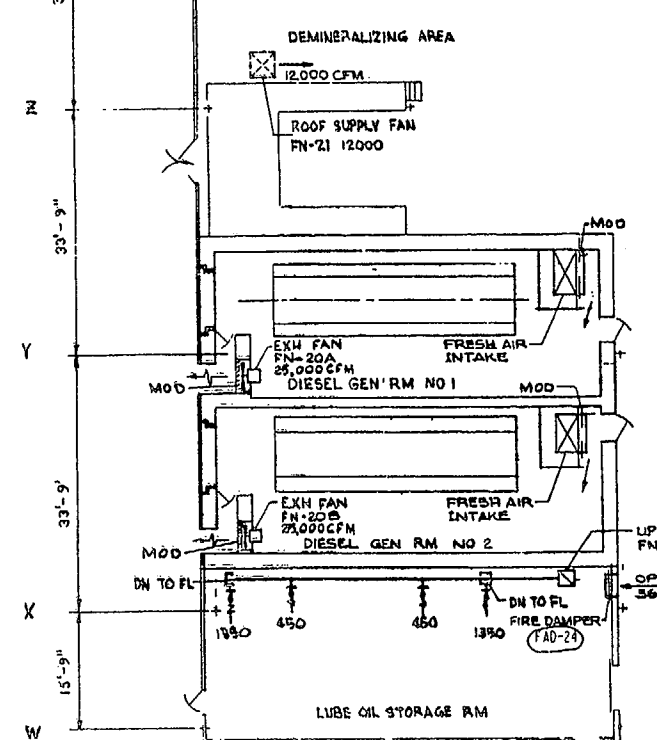


THE INFORMATION ON THIS DRAWING MAY NOT BE  
 COPIED OR USED FOR OTHER THAN THE CONSTRUCTION  
 MAINTENANCE OR REPAIR OF THE PLANT FACILITY  
 DESCRIBED IN THE TITLE BLOCK.

VENTILATION ARRANGEMENT  
 SERVICE BUILDING SH  
 Maine Yankee  
 RELIABLE ELECTRICITY FOR MAINE SINCE 1972



PLAN-EL 21'-0"



A-A

NOTES  
 NO SCALE  
 LEGEND STD-MB-5A, 5B, 5C & 5D  
 QUANTITIES ARE IN CUBIC FEET PER MIN.  
 \* COMPRESSOR AIR DURING INCIDENT OPERA  
 ADJUSTABLE 5 TO 40 CFM  
 @ INTERMITTENT OPERATION  
 ALL DUCTWORK & EQUIPMENT TO THE EXTENT  
 SHOWN IS SRS (EARTHQUAKE RESISTANT  
 SUPPORTS) & AIRTIGHT SITE SPECS

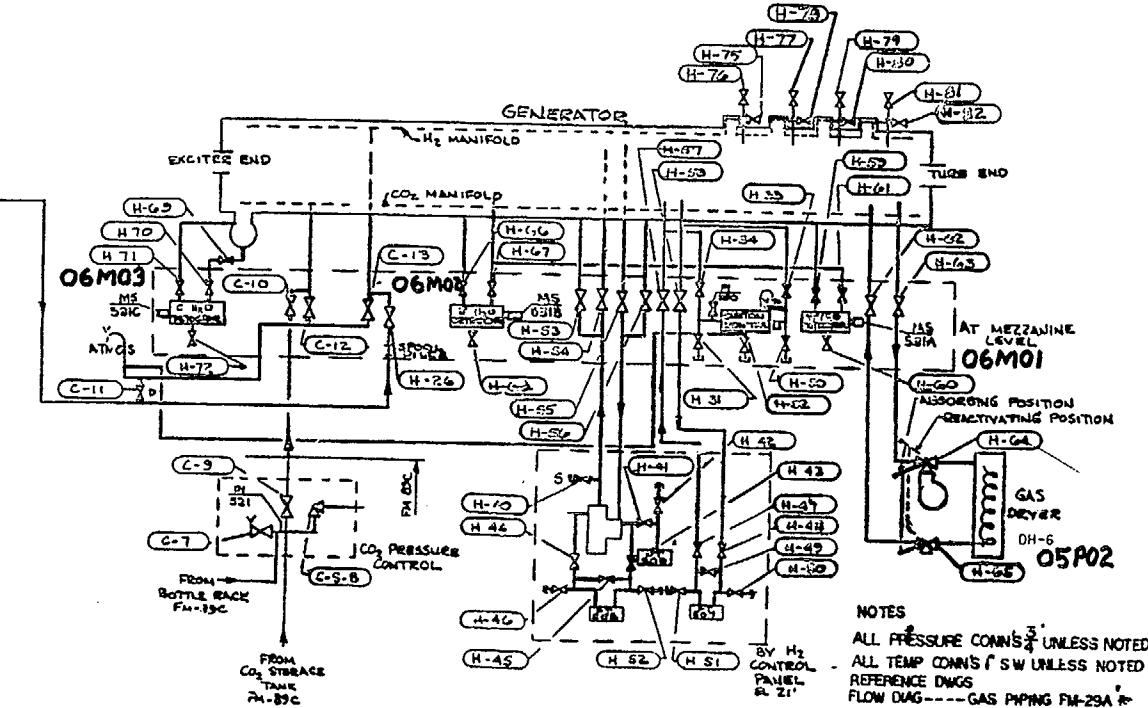
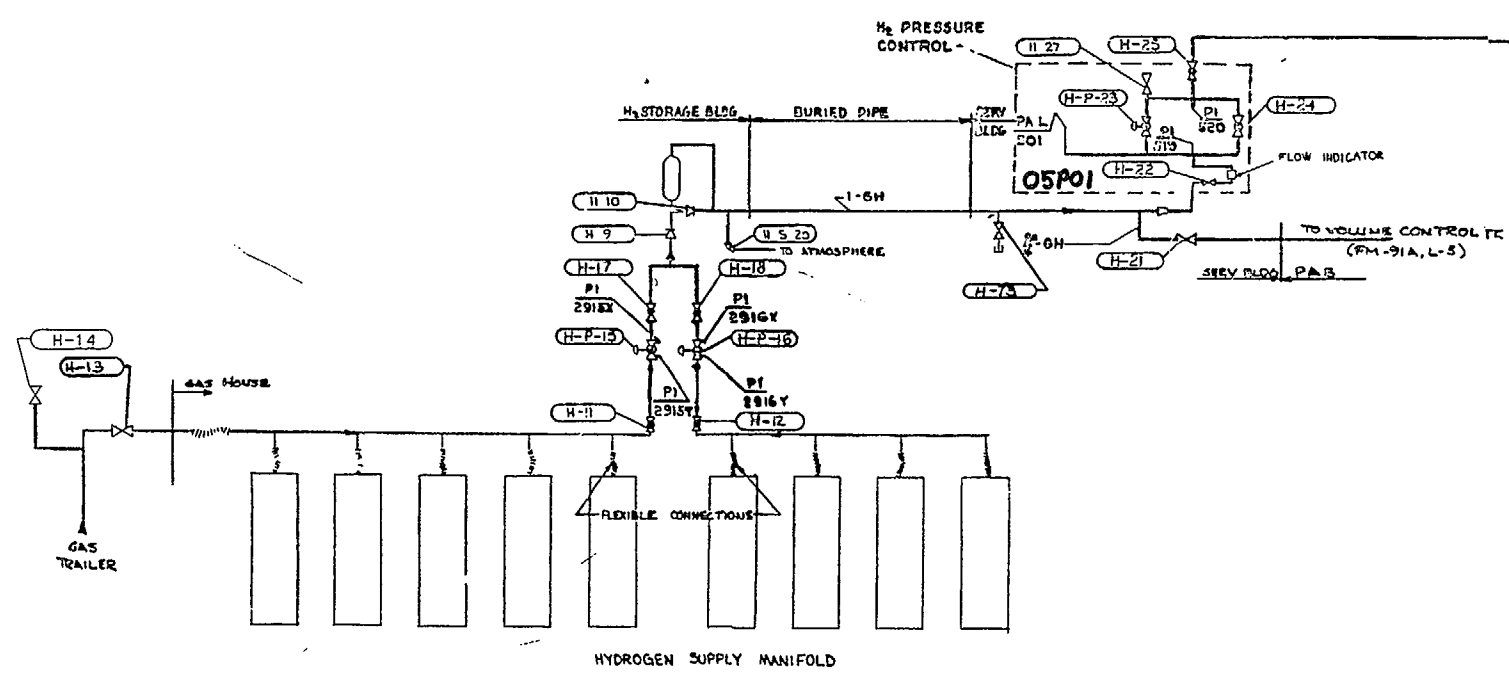
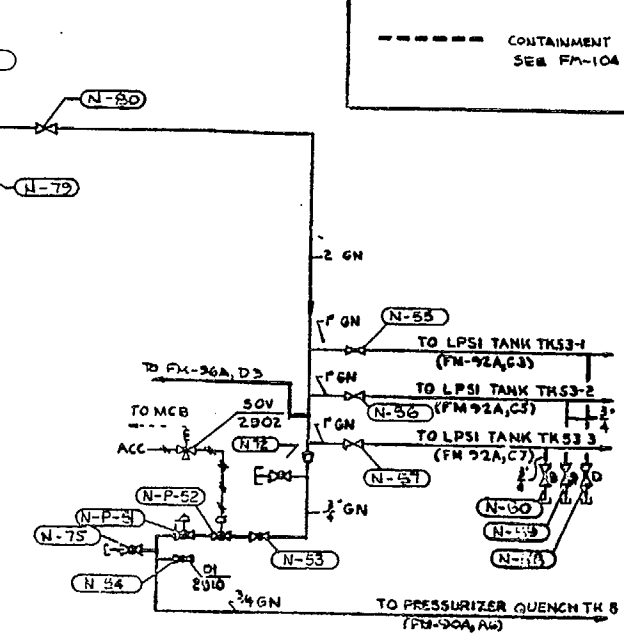
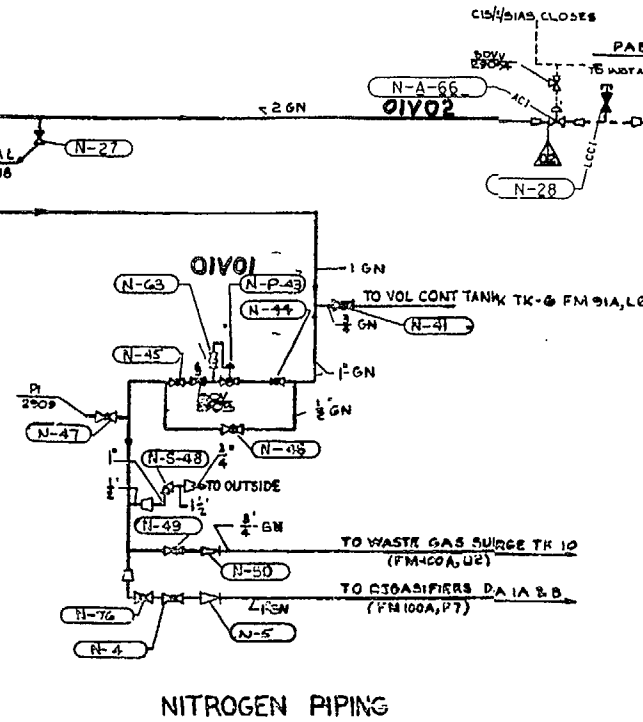
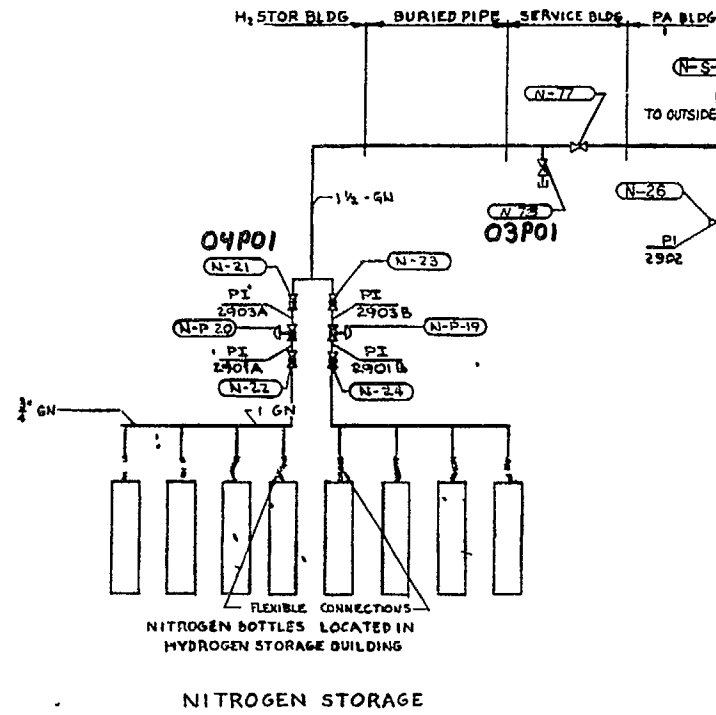


THE INFORMATION ON THIS DRAWING MAY NOT BE  
 COPIED OR USED FOR OTHER THAN THE CONSTRUCTION  
 MAINTENANCE OR REPAIR OF THE PLANT FACILITY  
 DESCRIBED IN THE TITLE BLOCK.

VENTILATION ARRANGEME  
 SERVICE BUILDING SH

**Maine Yankee**  
 RELIABLE ELECTRICITY FOR MAINE SINCE 1972

□ - 2 WAY GLOBE  
 □ - 3 WAY BALL OR PLUG  
 □ - CHECK  
 □ - HYDRAULIC  
 □ - SPRING LOADED  
 □ - CHECK OR RELIEF  
 - - - - - CONTAINMENT INTEGRITY BOUNDARY  
 SEE FM-104 FOR DETAILS



**DECOMMISSION LEGEND**

---	NOT ASSESSED
---	AVAILABLE A1
---	AVAILABLE A2
---	AVAILABLE A3
---	LAY-UP
---	ABANDON
---	DECOMMISSIONED

**NOTES**  
 ALL PRESSURE CONNS UNLESS NOTED  
 ALL TEMP CONNS C/S UNLESS NOTED  
 REFERENCE DWGS  
 FLOW DIAG - - - - - GAS PIPING FM-29A



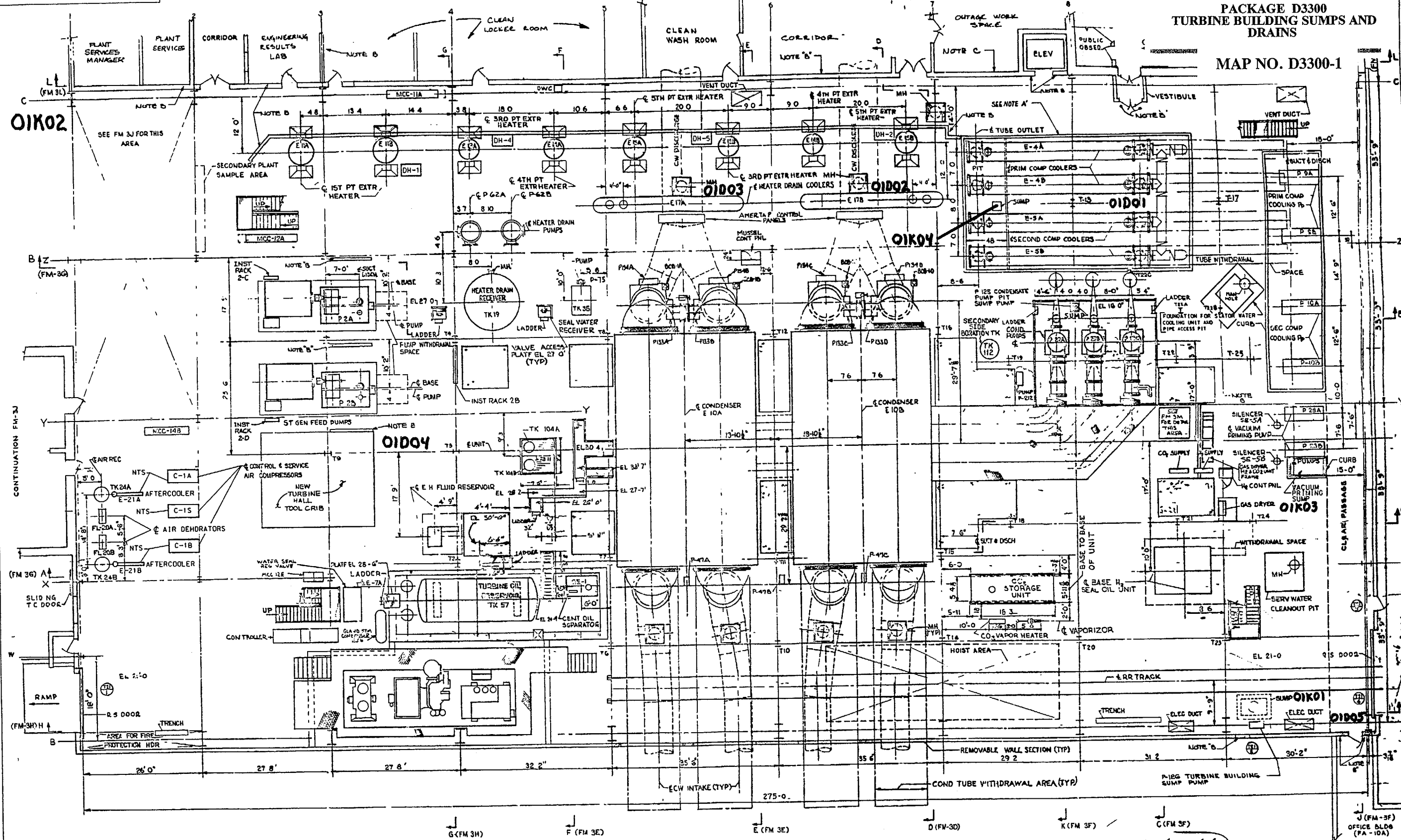
OPERATING VALVE NO'S  
DIAGRAM GAS PIPING

**Maine Yankee**  
RELIABLE ELECTRICITY FOR MAINE SINCE 1972

31	REV PER DCR 97-148 SYSTEM RE-CLASSIFICATION	2/2/98	3/3/98	3/3/98
REV	DESCRIPTION	BY	CHKD	APPD

DRAWING NUMBER 11550-FM-89A





**NOTE 'A'**: THIS WALL HAS BEEN SEISMICALLY ANALYZED IN MYC 129 PLEASE CONTACT MY MECHANICAL GROUP PRIOR TO MOUNTING ANYTHING SAFETY CLASS ON OR NEAR THIS WALL SECTION

**NOTE 'B'** DO NOT MOUNT ANY SAFETY CLASS EQUIPMENT ON OR NEAR THIS WALL CONTACT MY MECHANICAL GROUP FOR ADDITIONAL INFO

**NOTE 'C'** DO NOT MOUNT ANYTHING ON OR NEAR THIS WALL CONTACT M.Y. MECHANICAL GROUP FOR ADDITIONAL INFO.

PLAN - EL 21'-0"

**NOTES**  
SCALE 1/4"=1'-0"  
GENERAL NOTES & REFERENCE DWGS FM 3A  
DOOR SCHEDULE FA-6A  
NTS= NOT TO SCALE

THE INFORMATION ON THIS DRAWING MAY NOT BE COPIED OR USED FOR OTHER THAN THE CONSTRUCTION MAINTENANCE OR REPAIR OF THE PLANT FACILITY DESCRIBED IN THE TITLE BLOCK



26	REV. PER DCR 96-113	7/10/96	1/10/96	JBL
25	SEE ARCHIVE FOR PREVIOUS REV PER DCR 93-280 AND EDCR 94-32	9/15/94	10/24/94	JDP MR
REV	DESCRIPTION	BY	CHKD	APPD

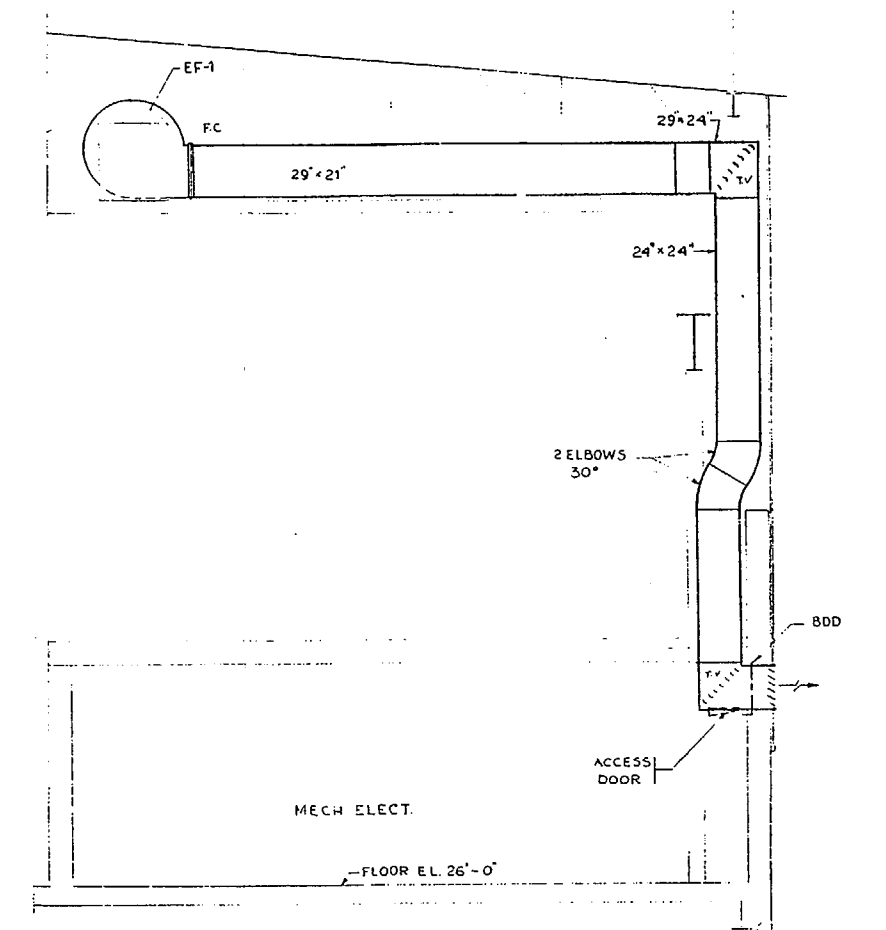
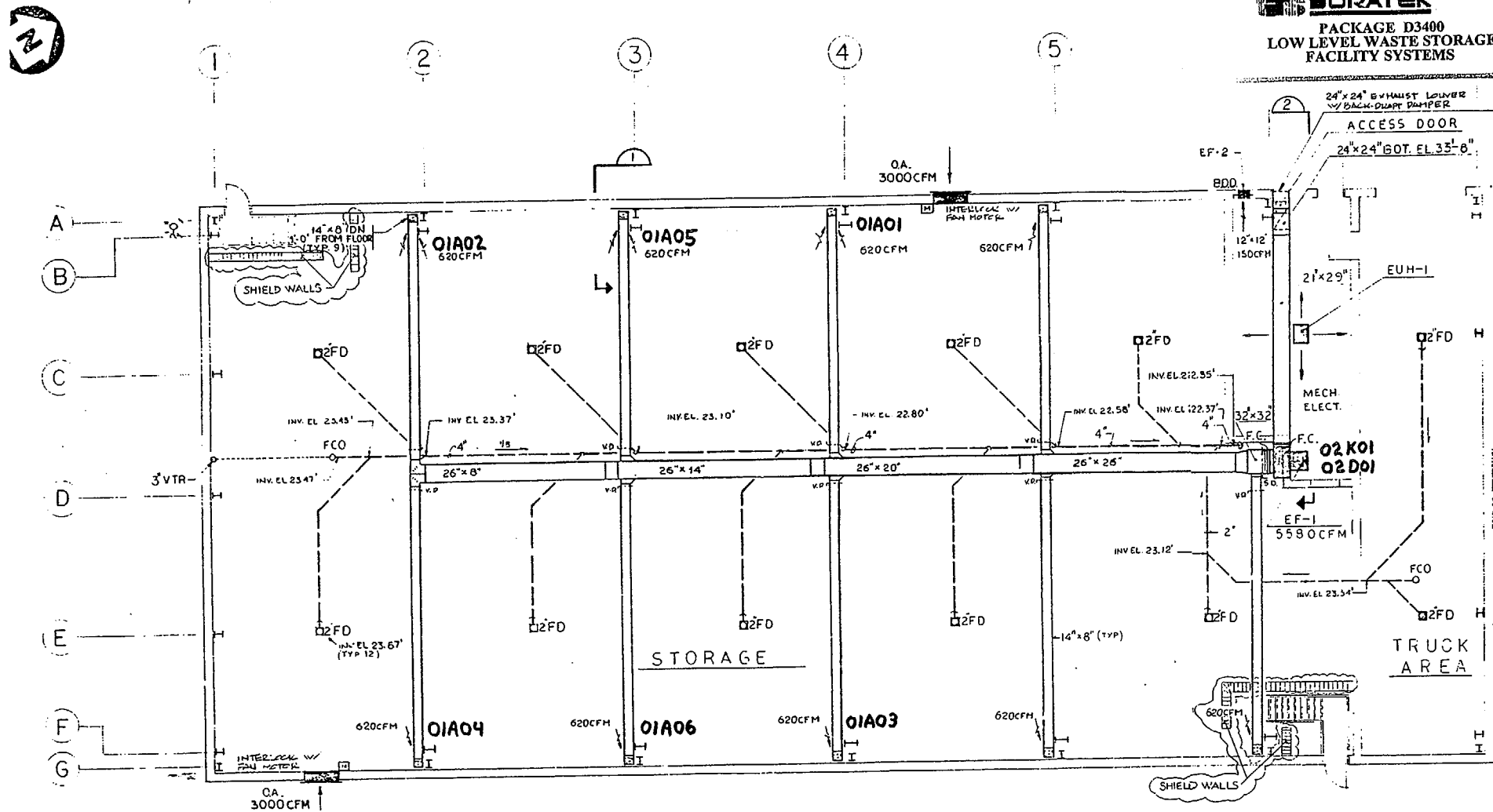
MACHINE LOCATION PLAN  
TURBINE AREA  
GROUND FLOOR

Maine Yankee  
RELIABLE ELECTRICITY FOR MAINE SINCE 1972

DRAWING NUMBER 11550-FM-3C







**FLOOR PLAN**  
 1/8" = 1'-0"

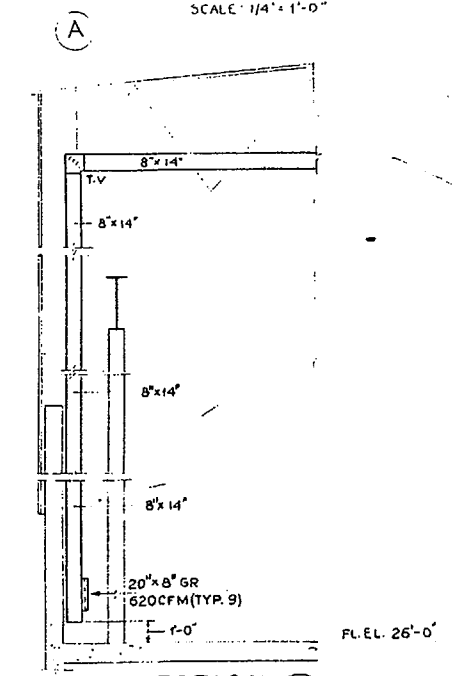
**SECTION 2**  
 SCALE 1/4" = 1'-0"

EXHAUST FAN SCHEDULE						
TAG	CFM	R.P.M.	S.P.	H.P.	ELEC.	REMARKS
EF-1	5500	787	1.5	2.0	208/3φ	INTEGRAL CONNECT W/ MOTOR OPERATED O.A. DAMPERS
EF-2	150	1550	.20	3 WATT	120/1φ	W/BACK DRAFT DAMPER

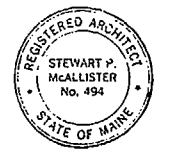
UNIT HEATER SCHEDULE						
TAG	CFM	R.P.M.	MBH	KW	ELEC.	REMARKS
EUH-1	1200	1500	51.2	15.0	450/3φ	PROVIDE INTEGRAL T-STAT & VERTICAL MOUNT'G BRACKET

LEGEND	
EF	EXHAUST FAN
O.A.	OUTSIDE AIR
V.D.	VOLUME DAMPER
BDD	BACK DRAFT DAMPER
S.D.	SMOKE DAMPER
F.C.	FLEXIBLE CONNECTION
T.V.	TURNING VANES
GR	GRILLE
DU	DUCTWORK
EUH	ELECTRIC UNIT HEATER
FD	FLOOR DRAIN
FCO	FLOOR CLEANOUT
VTR	VENT THRU ROOF
FD	FLOOR DRAIN BELOW GRAIL
INV EL	INVERT ELEVATION

**NOTES**  
 PROVIDE ACCESS DOORS AT V.D.  
 PROVIDE FLEX. COLLAR AT CONNECTION BETWEEN FAN & DUCTWORK.  
 ALL EXHAUST GRILLES = 20" x 8"  
 RUN DUCTWORK ABOVE E. FROM CHORD OF STEEL  
 O.A. LOUVERS = 48" x 24"



**SECTION 1**  
 SCALE 1/4" = 1'-0"



REV	DESCRIPTION	BY	CHKD	APPD
1	PER DCR 93-017			

No.	REFERENCE DRAWINGS	FIELD BOOK No.	REV.	DATE	STATUS	MF	BY	CHKD	APPD

**E.C. JORDANCO.**  
 CONSULTING ENGINEERS

CLIENT: **MAINE YANKEE ATOMIC POWER COMPANY**  
 WISCASSET, MAINE

DESIGN	PC.	3-14-85	TITLE	FACILITY FOR TEMPORARY STORAGE OF LOW LEVEL WASTE AND EQUIPMENT
DRAWN	E.S.	3-14-85		
CHKD.	D.P.B.	3-14-85		
DEPT. HD.	D.P.B.	3-14-85		
PROCESS				
PROJ. MGR.	J.C. TARBELL			
PROJ. NO.		4682 01		
DWG. NO.		SHEET 12 OF 20		
SCALE	AS NOTED			