

# A & F MACHINE PRODUCTS COMPANY

## PRODUCT CATALOG



*V-10 Simplex*



*V-10 Duplex*



*V-10-H Simplex*



*V-10 Quad*



*Shot Feeder*



*Variable Speed V-10*



*Jar Mixer*



*Packaged Systems*



*V7*

*V6*

454 Geiger Street • Berea, Ohio 44017-1392  
(440) 243-0040 • FAX (440) 243-3009  
[www.helwigpumps.com](http://www.helwigpumps.com)

**novatech**  
INTERNATIONAL

[sales@novatech-usa.com](mailto:sales@novatech-usa.com)  
[www.novatech-usa.com](http://www.novatech-usa.com)

Tel: (866) 433-6682 Fax: (866) 433-6684  
Tel: (281) 359-8538 Fax: (281) 359-0084

# PUMP HEAD VOLUME OUTPUTS

MAXIMUM FULL STROKE OUTPUT PER PUMP HEAD SIZE AT VARIOUS STROKE RATES  
 VALUES BASED ON VISCOSITY OF WATER  
 STROKE SETTING IS ADJUSTABLE FROM 0 TO 100%  
 MINIMUM RECOMMENDED STROKE SETTING IS 20% OF MAXIMUM

<b>1/4" DIA PISTON 1000 PSI MAX</b>			
STROKE RATE	FULL STROKE OUTPUT		
	ML/MIN	GPH	GPD
06	6	0.1	2.4
12	12	0.2	4.8
18	18	0.3	7.2
30	30	0.5	12
60	60	1	24

<b>1" DIA PISTON 500 PSI MAX*</b>			
STROKE RATE	FULL STROKE OUTPUT		
	ML/MIN	GPH	GPD
06	90	1.5	36
12	180	3	72
18	270	4	96
30	450	7	168
60	900	14	336

<b>3/8" DIA PISTON 1000 PSI MAX</b>			
STROKE RATE	FULL STROKE OUTPUT		
	ML/MIN	GPH	GPD
06	10	0.16	3.8
12	20	0.32	7.6
18	30	0.48	11.5
30	50	0.8	19.2
60	100	1.6	38.4

<b>1 1/2" DIA PISTON 100 PSI MAX</b>			
STROKE RATE	FULL STROKE OUTPUT		
	ML/MIN	GPH	GPD
06	180	3	72
12	360	6	144
18	540	9	216
30	900	15	360
60	1800	30	720

<b>1/2" DIA PISTON 1000 PSI MAX</b>			
STROKE RATE	FULL STROKE OUTPUT		
	ML/MIN	GPH	GPD
06	18	0.3	7.2
12	36	0.6	14.4
18	54	0.9	21.6
30	94	1.5	36
60	188	3	72

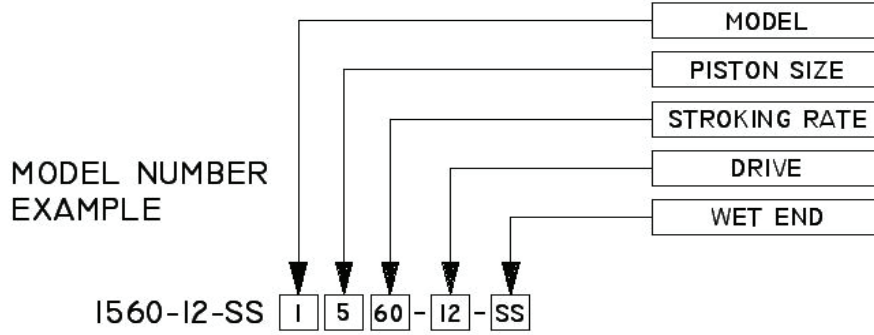
<b>2" DIA PISTON 100 PSI MAX</b>			
STROKE RATE	FULL STROKE OUTPUT		
	ML/MIN	GPH	GPD
06	360	6	144
12	720	12	288
18	1080	18	432
30	1800	30	720
60	3600	60	1440

<b>5/8" DIA PISTON 1000 PSI MAX*</b>			
STROKE RATE	FULL STROKE OUTPUT		
	ML/MIN	GPH	GPD
06	36	0.6	14.4
12	72	1.2	28.8
18	108	1.8	43.2
30	180	3	72
60	360	6	144

<b>V-6 &amp; V-7 MINI-PUMP 100 PSI MAX</b>			
STROKE RATE	FULL STROKE OUTPUT		
	ML/MIN	GPH	GPD
2	2.5	0.04	1
6	8	0.12	3
12	15	0.25	6
30	63	1	24
60	126	2	48

\* 100 PSI MAX FOR A PLASTIC DIAPHRAGM HEAD

# PISTON PUMPS



## V-10 PISTON PUMP (56C FLANGE DRIVE)

MODEL		
1	SIMPLEX	SINGLE DRIVE TO ONE PUMP HEAD
2	DUPLEX	SINGLE DRIVE TO TWO PUMP HEADS
3	TRIPLEX	SINGLE DRIVE TO THREE PUMP HEADS
4	QUAD	SINGLE DRIVE TO FOUR PUMP HEADS

BASIC V-10 PUMP INCLUDES #12 MOTOR OPTION					
PISTON SIZE		SIMPLEX	DUPLEX	TRIPLEX	QUAD
2	1/4" DIA	X	X	X*	X*
3	3/8" DIA	X	X	X*	X*
4	1/2" DIA	X	X	X*	X*
5	5/8" DIA	X	X	X*	X*
7	1 1/2" DIA	X	X*	N/A	N/A
8	1" DIA	X	X*	X*	X*
9	2" DIA	X	X*	N/A	N/A

\* INCLUDES #12V MOTOR OPTION

STROKING RATE	
60	SIXTY STROKES PER MINUTE
30	THIRTY STROKES PER MINUTE
18	EIGHTEEN STROKES PER MINUTE
12	TWELVE STROKES PER MINUTE
06	SIX STROKES PER MINUTE

DRIVE	
00	PUMP ONLY (NO DRIVE OR BASE PLATE)
0FM	LESS MOTOR (FLANGE MOUNT)**
12	1/3HP 120/240VAC TEFC 60HZ 1PH (W/CORD)
12V	1/2HP 120/240VAC TEFC 60HZ 1PH
13	1/2HP 120/240VAC EPFC 60HZ 1PH
14	1/4HP 90VDC TEFC PERMANENT MAGNET
14V	1/2HP 90VDC TEFC PERMANENT MAGNET
15	1/3HP 240/480VAC TEFC 60HZ 3PH
15V	1/2HP 240/480VAC TEFC 60HZ 3PH
16	1/2HP 240/480VAC EPFC 60HZ 3PH
17	1/3HP 575VAC TEFC 60HZ 3PH
18	1/2HP 115/230VAC TEFC 50/60HZ 1PH
19	1/2 HP 230/460 VAC TEFC INVERTER DUTY

\*\* FLANGE MOUNT PUMPS LESS MOTOR ARE AVAILABLE FOR MOUNTING YOUR OWN 56C FRAME 1750 RPM 1/2 HP MOTOR VERTICAL MOTOR MOUNT OPTION AVAILABLE ON V-10 PUMPS

		HEAD SIZES		
WET END		1/4"- 5/8"	1"	1 1/2"- 2"
BLANK	CARBON STEEL	X	X	X
SS	303 SS	X	X	X
S6	316 SS	X	X	X
C20	ALLOY 20	X	X	X
HC	ALLOY 276	X	N/A	N/A

TENV	TOTALLY ENCLOSED NON-VENTILATED
TEFC	TOTALLY ENCLOSED FAN COOLED
EPFC	EXPLOSION PROOF FAN COOLED

## V-5 PISTON PUMP (COUPLING DRIVE)

MODEL		
1	SIMPLEX	SINGLE DRIVE TO ONE PUMP HEAD
2	DUPLEX	SINGLE DRIVE TO TWO PUMP HEADS
3	TRIPLEX	SINGLE DRIVE TO THREE PUMP HEADS
4	QUAD	SINGLE DRIVE TO FOUR PUMP HEADS

BASIC V-5 PUMP INCLUDES #8 MOTOR OPTION					
PISTON SIZE		SIMPLEX	DUPLEX	TRIPLEX	QUAD
2	1/4" DIA	X	X	X	X
3	3/8" DIA	X	X	X	X
4	1/2" DIA	X	X	X	X
5	5/8" DIA	X	X	X	X
7	1 1/2" DIA	X	X	N/A	N/A
8	1" DIA	X	X	X	X
9	2" DIA	X	X	N/A	N/A

STROKING RATE	
60	SIXTY STROKES PER MINUTE
30	THIRTY STROKES PER MINUTE
18	EIGHTEEN STROKES PER MINUTE

DRIVE	
0CD	LESS MOTOR (COUPLING DRIVE)***
3	1/2HP 120/240VAC EPFC 60HZ 1PH
4	1/2HP 90VDC TEFC PERMANENT MAGNET
6	1/2HP 240/480VAC EPFC 60HZ 3PH
7	1/2HP 240/480VAC TEFC 60HZ 3PH
8	1/2HP 120/240VAC TEFC 60HZ 1PH

\*\*\* COUPLING DRIVE PUMPS LESS MOTOR ARE AVAILABLE FOR MOUNTING YOUR OWN 56 FRAME 1750 RPM 1/2 HP MOTOR WITH FOOT MOUNT BASE

		HEAD SIZES		
WET END		1/4"- 5/8"	1"	1 1/2"- 2"
BLANK	CARBON STEEL	X	X	X
SS	303 SS	X	X	X
S6	316 SS	X	X	X
C20	ALLOY 20	X	X	X
HC	ALLOY 276	X	N/A	N/A

## V-7 PISTON PUMP

MODEL	
V-7-2	TWO STROKES PER MINUTE
V-7-6	SIX STROKES PER MINUTE
V-7-12	TWELVE STROKES PER MINUTE
V-7-30	THIRTY STROKES PER MINUTE
V-7-60	SIXTY STROKES PER MINUTE

V-7 MODELS ARE ONLY AVAILABLE WITH CAST IRON BODY, STAINLESS STEEL PISTON AND CHECK VALVES, AND A 1/12TH HP 120 VAC TEFC 1 PH 60 HZ GEAR MOTOR

# TANKS

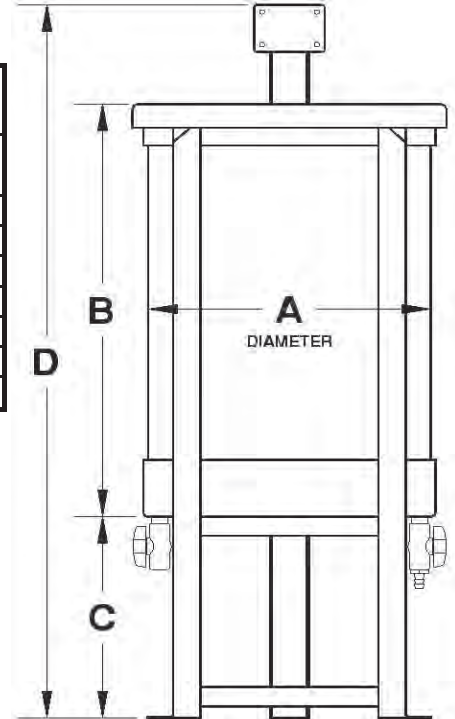
## POLYETHYLENE

CAPACITY GALLONS	WALL THK	DIMENSIONS				TANK & LID		TANK & LID ON STAND	
		A	B	C	D	PART NUMBER		PART NUMBER	
30	1/8"	18"	30"	12"	49"	030		103	
50	1/8"	22"	34"	17"	60"	050		305	
100	1/4"	28"	42"	18"	70"	0100		310	
150*	1/4"	36"	36"	18"	66"	0150		315	
300*	1/4"	51"	36"	20"	66"	0300		330	
400*	1/4"	51"	48"	20"	78"	0400		340	
500*	5/16"	51"	60"	20"	90"	0500		350	

\* AS LONG AS CURRENT STOCK IS AVAILABLE

POLY TANK AND STANDS ARE SUPPLIED WITH A REMOVABLE LID, TWO 3/4" PVC BALL VALVES INSTALLED IN THE BOTTOM, AND A CARBON STEEL PIPING ASSEMBLY FOR ONE PUMP HEAD (AN ALL PLASTIC PIPING ASSEMBLY IS OPTIONAL). 50 AND 100 GALLON TANK STANDS HAVE 3 LEGS, ALL OTHERS HAVE 4 LEGS. ONLY THE 50 GALLON TANK STAND HAS THE UPPER SUPPORT RING. THE CARBON STEEL SUPPORT STAND IS PAINTED GRAY ENAMEL.

POLY TANKS ARE SUPPLIED WITH 3/4" NPT BOTTOM CONNECTIONS



## OVERPACK (STEEL SHELL W/POLY LINER) VISUAL SLIT & REMOVABLE LID ARE STANDARD

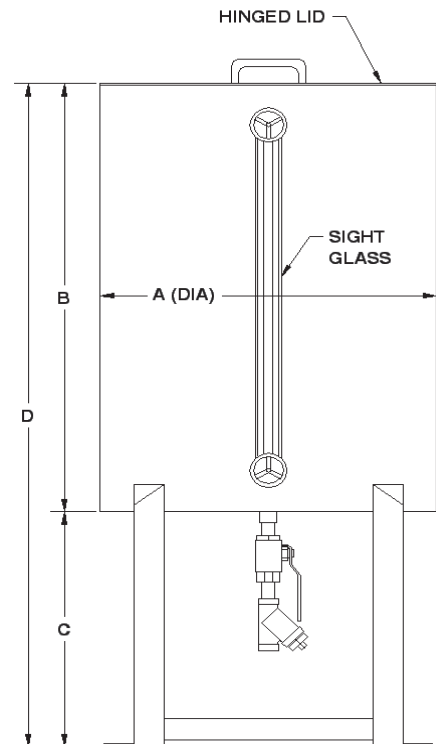
CAPACITY GALLONS	GA SHELL	DIMENSIONS				PART NUMBER
		A	B	C	D	
50	18	22"	34"	17"	60"	405

## STEEL & STAINLESS STEEL

CAPACITY GALLONS	GA THK	DIMENSIONS				CARBON STEEL		304 STAINLESS	
		A	B	C	D	PART NUMBER		PART NUMBER	
50	10	23"	31"	17"	48"	205		605	
100	10	36"	31"	20"	51"	210		610	
150*	10	36"	36"	20"	56"	215		615	
200*	10	36"	48"	20"	68"	220		620	
250*	10	36"	60"	20"	80"	225		625	

\* AS LONG AS CURRENT STOCK IS AVAILABLE

STEEL AND STAINLESS STEEL TANKS ARE SUPPLIED WITH A HALF HINGED LID, CARBON STEEL VALVE & STRAINER, CARBON STEEL SUPPORT LEGS & BRASS GAUGE GLASS VALVES. SS VALVE & SS STRAINER, SS GAUGE GLASS VALVES, & SS SUPPORT LEGS ARE OPTIONAL ITEMS. TANKS ARE PAINTED GRAY ENAMEL.



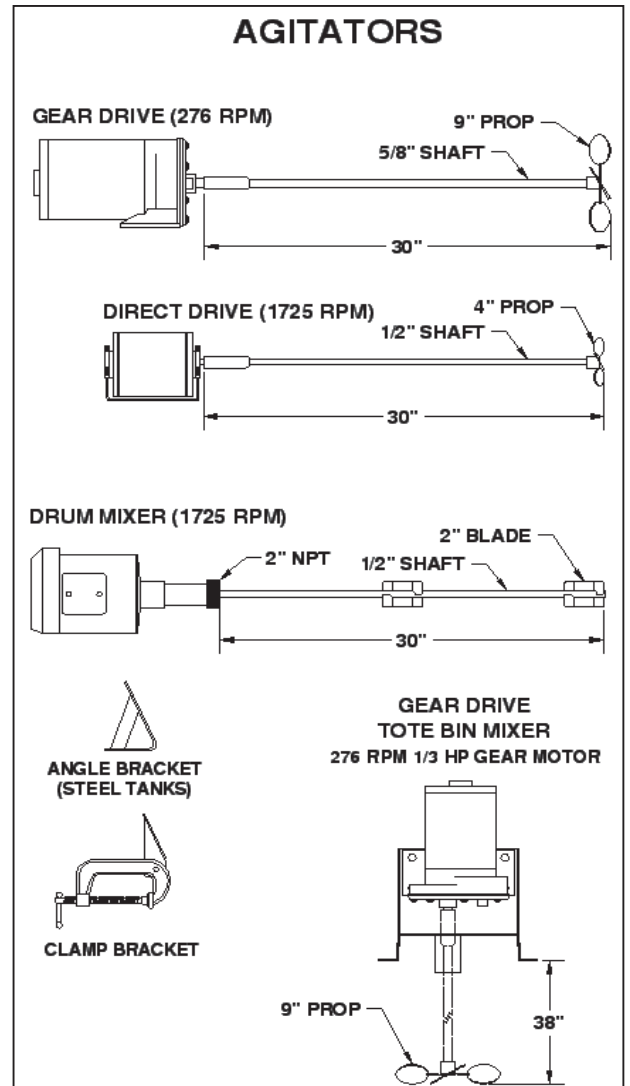
ONE OR TWO PUMPS CAN BE MOUNTED AND PIPED UNDER A SINGLE TANK. IF THREE OR MORE PUMPS ARE REQUIRED, ALL PUMPS WOULD BE MOUNTED AND PIPED ON A RAISED SIDE PLATFORM.

## TANK ACCESSORIES

PART NUMBER		AGITATORS				PROP	
ANGLE MT	CLAMP MT	VAC/60 HZ	FRAME	HP	RPM	DIA	
612	611	120 1PH	TENV	1/4	1725	4"	
612-9	611-9	110/220 50HZ	TEFC	1/4	1725	4"	
712	711	120/240 1PH	EPFC	1/4	1725	4"	
012	011	230/460 3PH	EPFC	1/4	1725	4"	
912	911	230/460 3PH	TEFC	1/4	1725	4"	
422	421	120 1PH	TEFC	1/3	276	9"	
522	521	230/460 3PH	TEFC	1/3	276	9"	
613 (DRUM MIXER)		120 1PH	TEFC	1/3	1725	2"	
422 TBM		120 1PH	TEFC	1/3	276	9"	

PART #	AGITATOR ACCESSORIES DESCRIPTION
AG DD30	1/2" X 30" SS SHAFT W/4" PROP
AG GD30	5/8" X 30" SS SHAFT W/9" PROP
#16	HALAR COATING ON SHAFT & PROP
H134	REPLACEMENT MOTOR FOR #612 OR #611
K151	REPLACEMENT MOTOR FOR #912 OR #911
AG-4	SS 4" PROP W/SET SCREW & 1/2" BORE
AG-9	SS 9" PROP W/SET SCREW & 5/8" BORE

PART #	MISC TANK ACCESSORIES DESCRIPTION
030-1	REPLACEMENT 30 GALLON POLY LID
050-1	REPLACEMENT 50 GALLON POLY LID
0100-1	REPLACEMENT 100 GALLON POLY LID
10A	FLOATING COVER FOR 50 GALLON
10B	FLOATING COVER FOR 30 GALLON
10C	FLOATING COVER FOR 100 GALLON
31A	10A WITH AGITATOR SPOOL
31B	10B WITH AGITATOR SPOOL
31C	10C WITH AGITATOR SPOOL
#12	1/5 CU FT SS DISSOLVING BASKET
#13	120 VAC LOW LEVEL CUTOFF & ALARM
20	2 CU FT DISSOLVING BASKET
050-P-3	1/2" NPT PVC BULKHEAD FITTING
050-P-4	3/4" NPT PVC BULKHEAD FITTING
050-P-5	3/4" NPT PVC BALL VALVE FOR TANK DRAIN
050-P-5R	3/4" NPT PVC BALL VALVE FOR PUMP SUPPLY
050-P-6	1" NPT PVC BULKHEAD FITTING
050-P-7	1 1/2" NPT PVC BULKHEAD FITTING
050-P-8	2" NPT PVC BULKHEAD FITTING
EP	ADD ON FOR EPOXY PAINTING
HL	ADD ON FOR SS HINGE ON POLY LIDS
SP	SIDE MOUNT PLATFORM (PRICED PER PUMP)
PIPING	ADD ON FOR ADDITIONAL PIPING
SS PIPING	ADD ON FOR 316SS PIPING (PER PUMP HEAD)
SGV	BRASS SIGHT GLASS VALVES (METAL TANKS)
SS SGV	ADD ON FOR 316SS SIGHT GLASS VALVES

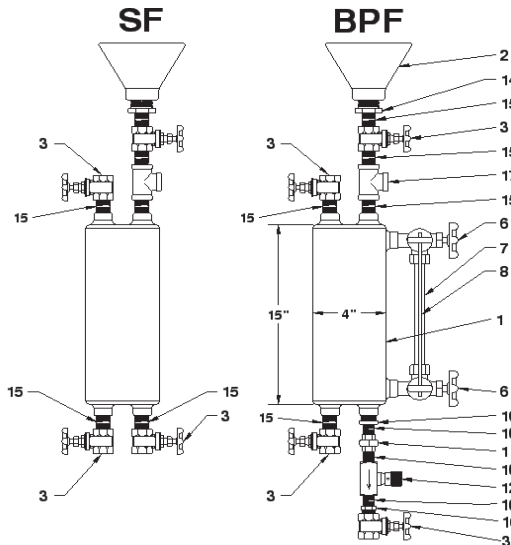


**NOTE** -STANDARD SHAFT LENGTH IS 30"  
 -WHEN ORDERING WITH A TANK &  
 STAND THE ANGLE MOUNT IS  
 RECOMMENDED & THE SHAFT IS  
 MADE TO FIT THE TANK DEPTH

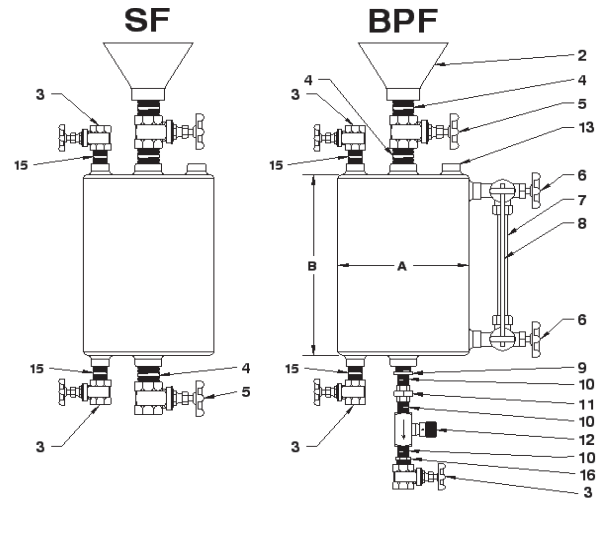
**TENV**-TOTALLY ENCLOSED NON-VENTILATED  
**EPFC**-EXPLOSION PROOF FAN COOLED  
**TEFC**-TOTALLY ENCLOSED FAN COOLED

# FEEDERS

## 3/4 GALLON



## 1 GALLON & LARGER



### ORDERING INFORMATION

#### SF-2-HP

BLANK	125 PSI RATED VALVING
HP	300 PSI RATED VALVING
BO	BODY ONLY

#### GALLON CAPACITY

SF	SHOT FEEDER	150F
BPF	BY-PASS FEEDER	150F

### DIMENSIONS

GALLONS	A	B
1	6"	10"
1 1/2	6"	12"
2	8"	10"
2 1/2	8"	12"
5	10"	15"
10	10"	29"
18	14"	32"
25	18"	28"

### # DESCRIPTION

1	FEEDER BODY
2	POLY FUNNEL
3	1/2" NPT GATE VALVE
4	1" NPT NIPPLE
5	1" NPT GATE VALVE
6	1/2" NPT GAUGE VALVE
7	GAUGE GLASS
8	GLASS GUARDS
9	1" NPT X 3/8" NPT BUSHING
10	3/8" NPT NIPPLE
11	3/8" NPT UNION
12	3/8" NPT NEEDLE VALVE
13	1/2" NPT CONNECTION
14	1" NPT X 1/2" NPT BUSHING
15	1/2" NPT NIPPLE
16	1/2" NPT X 3/8" NPT BUSHING
17	1/2" NPT TEE

5 GALLON AND LARGER FEEDERS HAVE THREE 12" LEGS

125 PSI SHOT FEEDER INCLUDES (1) FEEDER BODY, (2) 1" GATE VALVES, (1) POLY FUNNEL, (2) 1/2" GATE VALVES, (3) 1" NIPPLES, (2) 1/2" NIPPLES

125 PSI BY-PASS FEEDER INCLUDES (1) FEEDER BODY, (1) 1" GATE VALVE, (3) 1/2" GATE VALVES, (1) GAUGE GLASS ASSEMBLY, (1) POLY FUNNEL, (2) 1" NIPPLES, (3) 3/8" NIPPLES, (1) 1" X 3/8" BUSHING, (1) 3/8" UNION, (1) 3/8" NEEDLE VALVE, (2) 1/2" NIPPLES, (1) 1/2" X 3/8" BUSHING

300 PSI SHOT FEEDER INCLUDES (1) FEEDER BODY, (2) 1/2" BALL VALVES, (2) 1/2" NIPPLES, (2) 1" BALL VALVES, (3) 1" NIPPLES, (1) POLY FUNNEL

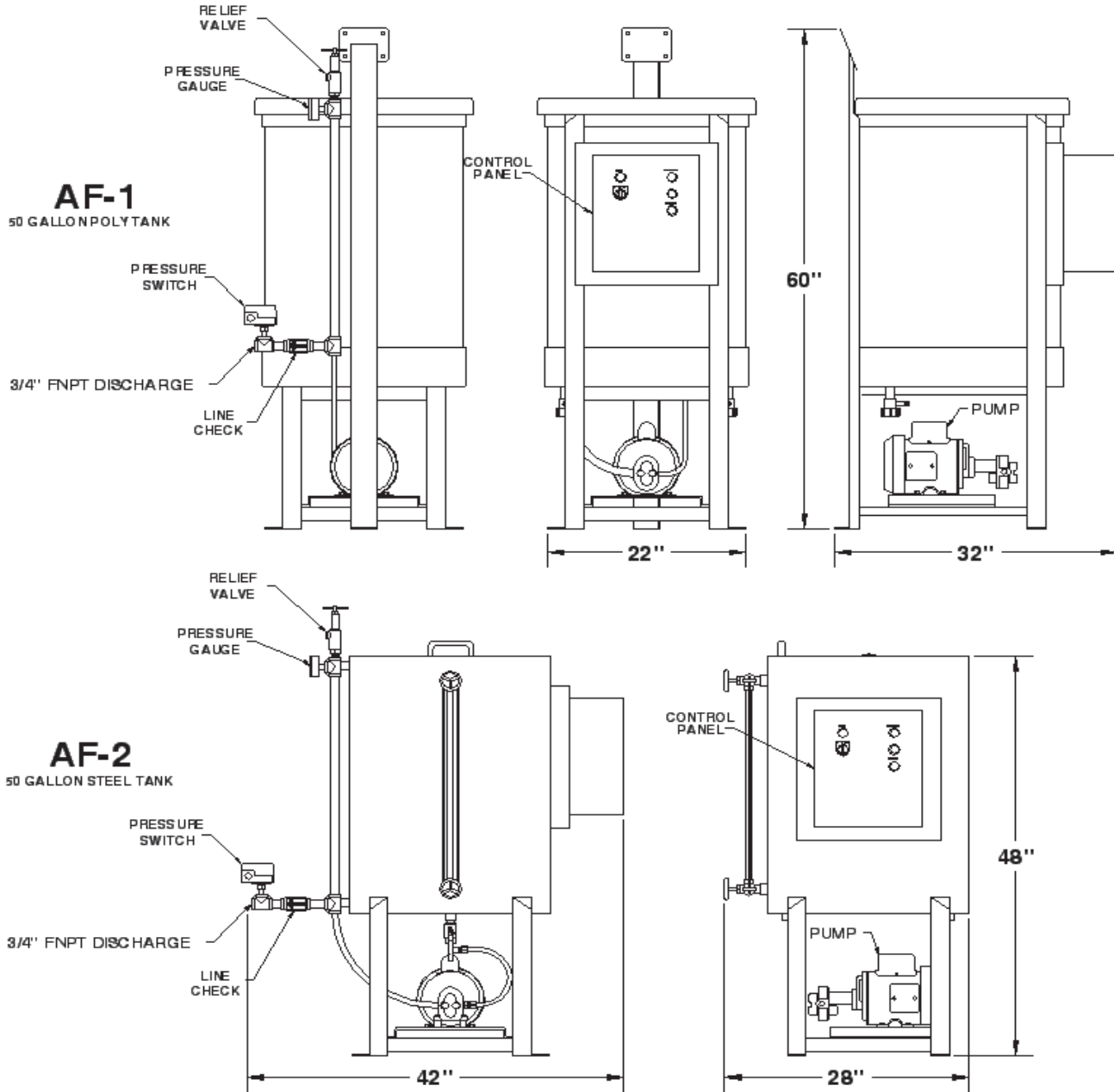
PART #		PART #		PART #		PART #	
SF-3/4		BPF-3/4		SF-3/4-BO		SF-3/4-HP	
SF-1		BPF-1		SF-1-BO		SF-1-HP	
SF-1 1/2		BPF-1 1/2		SF-1 1/2-BO		SF-1 1/2-HP	
SF-2		BPF-2		SF-2-BO		SF-2-HP	
SF-2 1/2		BPF-2 1/2		SF-2 1/2-BO		SF-2 1/2-HP	
SF-5		BPF-5		SF-5-BO		SF-5-HP	
SF-10		BPF-10		SF-10-BO		SF-10-HP	
SF-18		BPF-18		SF-18-BO		SF-18-HP	
SF-25		BPF-25		SF-25-BO		SF-25-HP	

POLY FUNNEL ONLY - CALL

ADD THREE LEGS TO SMALLER FEEDERS - CALL



## GLYCOL FEED EQUIPMENT



PART #	DESCRIPTION
GFE-1	3 GPM @60 PSI BRONZE GEAR PUMP W/1/2 HP 120 VAC MOTOR
GFE-2H	30-50 PSI PRESSURE SWITCH (STANDARD)
GFE-2L	5-10 PSI PRESSURE SWITCH (OPTIONAL)
GFE-3	3/4" NPT BRASS LINE CHECK
GFE-4	3/4" NPT NYLON PRESSURE RELIEF VALVE
GFE-5	0-100 PSI PRESSURE GAUGE
GFE-6	GLYCOL DISCHARGE PIPING ASSEMBLY (INCLUDES GFE-2-3-4-5)
LP1-GLY	CONTROL PANEL W/PUMP H-O-A SWITCH & LOW LEVEL ALARM
AF-1	ASSEMBLED 50 GALLON POLYETHYLENE GLYCOL PACKAGE
AF-2	ASSEMBLED 50 GALLON CARBON STEEL GLYCOL PACKAGE
AF-3	ASSEMBLED 50 GALLON OVERPACK GLYCOL PACKAGE
AF-4	ASSEMBLED 100 GALLON POLYETHYLENE GLYCOL PACKAGE

PRESSURE RELIEF VALVES	
PART #	DESCRIPTION
18	1/4" NPT 0-1000 PSI 303SS (FACTORY SET @400 PSI)
19	1/4" NPT 0-100 PSI POLY (FACTORY SET @100 PSI)
36	1/2" NPT 0-500 PSI 303SS (FACTORY SET @400 PSI)
36P	1/2" NPT 0-100 PSI POLY (FACTORY SET @100 PSI)

INJECTION NOZZLES	
PART #	DESCRIPTION
8	1/2" NPT POLYETHYLENE W/DUCKBILL BACK CHECK
33	1/2" NPT POLYETHYLENE W/CERAMIC BALL BACK CHECK
17	3/4" NPT CORPSTOP 100 PSI RETRACTABLE PVC STINGER
17A	3/4" NPT 1000 PSI RETRACTABLE 316SS STINGER
17B	3/4" NPT CORPSTOP 100 PSI RETRACTABLE 316SS STINGER
17C	3/4" NPT CORPSTOP 100 PSI RETRACTABLE 304SS STINGER
26A	1/2" NPT 303SS 1000PSI 3" QUILL
26B	1/2" NPT 303SS 1000PSI 6" QUILL
26C	1/2" NPT 316SS 1000PSI 3" QUILL
26D	1/2" NPT 316SS 1000PSI 6" QUILL
26E	1/2" NPT ALLOY 20 1000PSI 3" QUILL
26F	1/2" NPT ALLOY 276 1000PSI 3" QUILL

SPRING LOADING & CUSTOM LENGTH INJECTION NOZZLES ARE OPTIONAL

INLINE CHECK VALVES	
PART #	DESCRIPTION
22	1/4" NPT 303SS SPRING LOADED (1000 PSI MAX)
24	1/2" NPT 303SS SPRING LOADED (1000 PSI MAX)
02DS	3/8" NPT 303SS SPRING LOADED (1000 PSI MAX)
02DH	3/8" NPT POLYETHYLENE (100 PSI MAX)
002-19-D	1" NPT 303SS SPRING LOADED (500 PSI MAX)
002-22P-D	1" NPT POLYETHYLENE (100 PSI MAX)

PVC EDUCTOR	
PART #	DESCRIPTION
EDUCTOR	PVC EDUCTOR
ED-1	3/4" NPT ADAPTER FOR EDUCTOR
ED-2	FUNNEL & ADAPTER FOR EDUCTOR
ED-3	CLAMP & NIPPLE FOR EDUCTOR

MISC	
PART #	DESCRIPTION
SV-5	WALL SHELF FOR V-5 OR V-10 PUMP
TBB	TOTE BIN BRACKET SET FOR V-5 OR V-10 PUMP
PPE	POLYETHYLENE PROTECTIVE PUMP ENCLOSURE
SC-1	SAMPLE COOLER (COPPER SHELL & 316SS COIL)
CORD	16/3 TYPE SJT CORD W/MOLDED PLUG (8' LONG)

PLASTIC TUBING (PER FOOT)	
PART #	DESCRIPTION
1814PT	1/8" X 1/4" POLY TUBING
1438PT	1/4" X 3/8" POLY TUBING
3812PT	3/8" X 1/2" POLY TUBING
1438PVCT	1/4" X 3/8" PVC TUBING
3812PVCT	3/8" X 1/2" PVC TUBING
5878PVCT	5/8" X 7/8" PVC TUBING

GRADUATED CYLINDERS	
PART #	DESCRIPTION
GC-100	100ML W/TWO 1/4" PVC VALVES & TEE
GC-250	250ML W/TWO 1/2" PVC VALVES & TEE
GC-500	500ML W/TWO 1/2" PVC VALVES & TEE
GC-1000	1000ML W/TWO 1/2" PVC VALVES & TEE ON SS STAND
GC-2000	2000ML W/TWO 1" PVC VALVES & TEE ON SS STAND
GC-4000	4000ML W/TWO 1" PVC VALVES & TEE ON SS STAND
100GC	100ML CYLINDER ONLY 1/2" NPT CONNECTION
250GC	250ML CYLINDER ONLY 1/2" NPT CONNECTION
500GC	500ML CYLINDER ONLY 1/2" NPT CONNECTION
1000GC	1000ML CYLINDER ONLY 1/2" NPT CONNECTION
2000GC	2000ML CYLINDER ONLY 1" NPT CONNECTION
4000GC	4000ML CYLINDER ONLY 1" NPT CONNECTION

ANTI-SIPHON VALVES	
PART #	DESCRIPTION
19-A	3/8" NPT POLYETHYLENE (100 PSI MAX)
36P-A	1/2" NPT POLYETHYLENE (100 PSI MAX)

FOOT VALVES & DRUM ASSEMBLIES	
PART #	DESCRIPTION
9	1/4" NPT POLYETHYLENE (6 GPH MAX)
9SS	1/4" NPT 303SS (6 GPH MAX)
#25	#9 W/TUBING CONNECTORS & 5' POLY TUBING
DSA	DRUM SUCTION ASSEMBLY
DLA	DRUM LOW LEVEL ASSEMBLY
DSL A	COMBINED DRUM SUCTION/LOW LEVEL ASSEMBLY

STRAINERS	
PART #	DESCRIPTION
CIS	3/8" NPT CAST IRON "Y" STRAINER W/SS SCREEN
SLS-3/8	3/8" NPT 316SS "Y" STRAINER W/SS SCREEN
SLS-1/2	1/2" NPT 316SS "Y" STRAINER W/SS SCREEN
PLS	1/4" NPT X 5/8" HOSE BARB POLY LINE STRAINER



## ELECTRICAL ACCESSORIES

BASIC 120 VAC CONTROL PANELS		
PART #	DESCRIPTION	
MP1	14 X 12 X 6 NEMA 12 ENCLOSURE	
	MIXER ON-OFF SWITCH	
	PUMP HAND-OFF-AUTO SWITCH	
	POWER RELAYS FOR MOTORS	
	FUSES & TERMINALS & LIGHTS	
MP2	14 X 12 X 6 NEMA 12 ENCLOSURE	
	MIXER ON-OFF SWITCH	
	TWO PUMP HAND-OFF-AUTO SWITCHES	
	POWER RELAYS FOR MOTORS	
	FUSES & TERMINALS & LIGHTS	
MP3	20 X 16 X 7 NEMA 12 ENCLOSURE	
	MIXER ON-OFF SWITCH	
	THREE PUMP HAND-OFF-AUTO SWITCHES	
	POWER RELAYS FOR MOTORS	
	FUSES & TERMINALS & LIGHTS	
MLP1	14 X 12 X 6 NEMA 12 ENCLOSURE	
	MIXER ON-OFF SWITCH	
	PUMP HAND-OFF-AUTO SWITCH	
	POWER RELAYS FOR MOTORS	
	LOW LEVEL ALARM & CUTOFF CIRCUIT	
MLP2	20 X 16 X 7 NEMA 12 ENCLOSURE	
	MIXER ON-OFF SWITCH	
	TWO PUMP HAND-OFF-AUTO SWITCHES	
	POWER RELAYS FOR MOTORS	
	LOW LEVEL ALARM & CUTOFF CIRCUIT	
MLP3	24 X 20 X 7 NEMA 12 ENCLOSURE	
	MIXER ON-OFF SWITCH	
	THREE PUMP HAND-OFF-AUTO SWITCHES	
	POWER RELAYS FOR MOTORS	
	LOW LEVEL ALARM & CUTOFF CIRCUIT	

CUSTOM CONTROL PANELS ARE ALSO AVAILABLE

90 VDC MOTOR SPEED CONTROLLER		
PART #	DESCRIPTION	
DCC	120 VAC SUPPLY VOLTAGE	
	MANUAL-AUTO CONTROL	
	MANUAL SPEED ADJUSTMENT	
	AUTO 4-20 MA FOLLOWER	
	NEMA 4/12	
MC	MOUNT & WIRE DCC TO PUMP	

115/230 VAC SPEED CONTROLLERS		
PART #	DESCRIPTION	
ACC	USE WITH INVERTER DUTY MOTOR	
	MANUAL-AUTO CONTROL	
	MANUAL SPEED ADJUSTMENT	
	AUTO 4-20 MA FOLLOWER	
	NEMA 4/12	
MC	MOUNT & WIRE ACC TO PUMP	

120 VAC CYCLE TIMERS		
PART #	DESCRIPTION	
CT	PROVIDES 8 FIELD SELECTABLE CYCLE DURATIONS; 30 SECONDS, 3 MINUTES, 5 MINUTES, 10 MINUTES, 30 MINUTES, 1 HOUR & 4 HOURS	
8001	TORK 24 HOUR	
8007	TORK 7 DAY	
8007V	TORK 14 DAY	
C&R	CORD & RECEPTACLE ADD-ON	

PORTABLE JAR MIXERS		
PART #	DESCRIPTION	
JM-2	TWO STATION 120 VAC 60 HZ	
JM-4	FOUR STATION 120 VAC 60 HZ	
JM-6	SIX STATION 120 VAC 60 HZ	
BEAKER	1000 ML REPLACEMENT BEAKER	
PIPET	10 ML REPLACEMENT PIPETTE	
30C518	220/120 50/60 VOLTAGE CONVERTER	

## CARLON WATER METERS

COLD WATER METERS				
METER SIZE	NPT IN/OUT	MAX GPM FLOW	GALLONS/CONTACT	MAX TEMP F
5/8"	3/4"	20	10	105
3/4"	3/4"	30	50	105
1"	1"	50	100	105
1 1/2"	1 1/2"	100	100	105
2"	2"	160	100	105

ORDERING INFORMATION

EC-100-T	BLANK	NO TIMER	MULT-RANGE RESET TIMER 10 AMP MAXIMUM LOAD EC METERS ONLY
	T	ONE TIMER	
	2T	TWO TIMERS	

621	5/8"	WATER METER SIZE
075	3/4"	
100	1"	
150	1 1/2"	
200	2"	

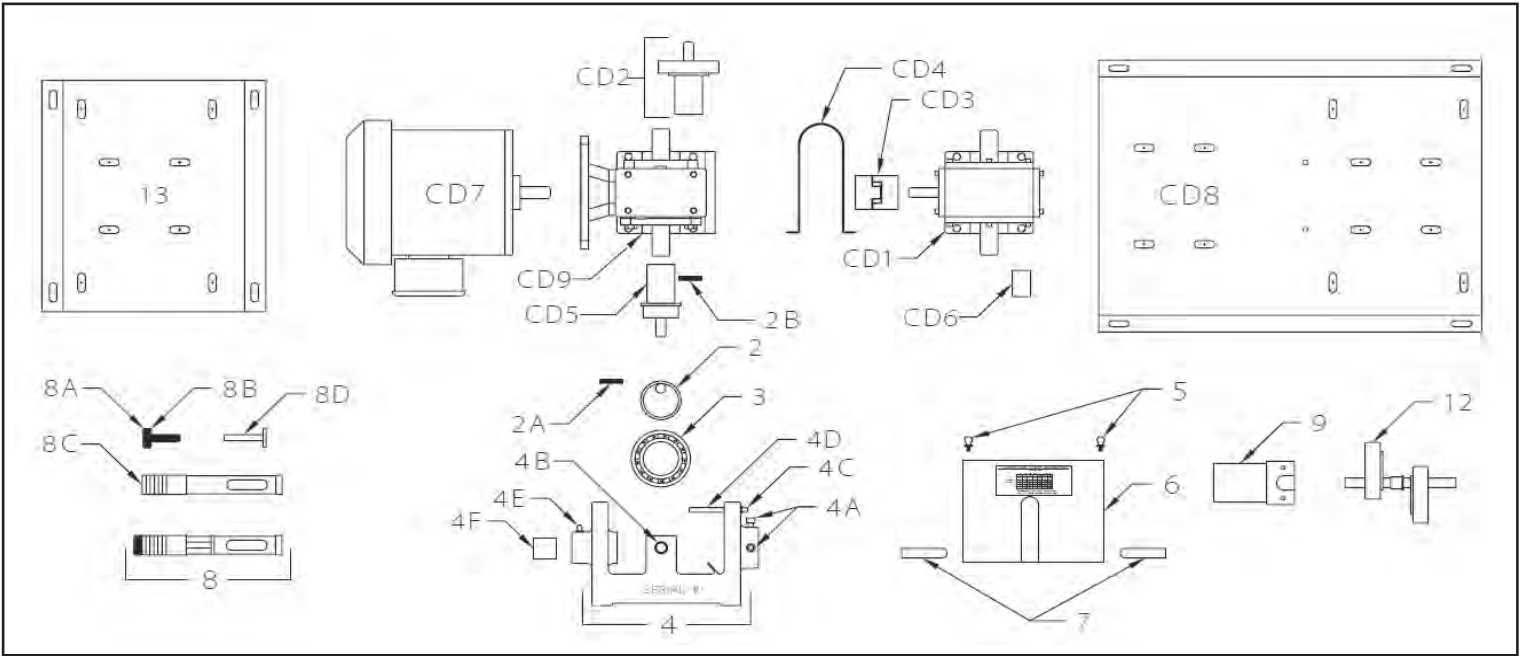
  

STD	COLD WATER TOTALIZING	REGISTER HEAD
EC	COLD ELECTRIC CONTACTING	

PART #	PART #	PART #
STD-621	EC-621	EC-621-T
STD-075	EC-075	EC-075-T
STD-100	EC-100	EC-100-T
STD-150	EC-150	EC-150-T
STD-200	EC-200	EC-200-T

-INCLUDES COUPLINGS  
 -MAXIMUM PRESSURE IS 150 PSI  
 -ADD FOR SECOND TIMER (-2T)

## V-10 & V-5 DRIVE ASSEMBLIES



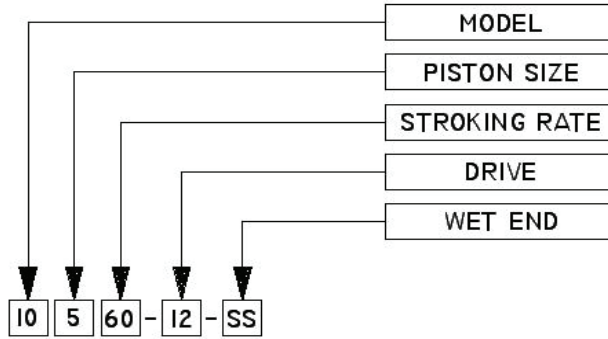
ITEM	PART #	DESCRIPTION
2	1101	DRIVE BEARING SUPPORT CAM
2A	1101-1	3/16 X 1 ROLLED DRIVE PIN (FOR 1101)
2B	1101-2	3/16 X 1 1/4 ROLLED DRIVE PIN (FOR 3L09CD)
3	3L09	SEALED DRIVE BEARING
4	008-2	RIGHT HAND BASE CASTING (STANDARD)
	008-2D	INSIDE CASTING ON DUPLEX ASSEMBLY
	008-2L	LEFT HAND BASE CASTING (V-10 DUPLEX)
	008-2DL	INSIDE CASTING ON LEFT HAND DUPLEX ASSEMBLY
4A	008-4	1/4-20 X 5/8" ALLEN CAP SCREW (2 REQUIRED)
4B	008-5	5/8" OD X 1/2" ID X 1/2" LONG OILITE BEARING
	008-6	5/8" OD X .485" ID X 1/2" LONG OILITE BEARING
4C	006-2	DRIVE BEARING GREASE FITTING
4D	006-3	GREASE TUBE
4E	006-2	SLIDE BUSHING GREASE FITTING
4F	008-10	1 1/8" X 1" X 1" OILITE BEARING (2 REQUIRED)
5	1102-1	COVER SCREW (2 REQUIRED)
6	1102	CLEAR PLASTIC COVER (STANDARD)
	1102-D	CLEAR PLASTIC COVER (LEFT HAND)
	1102-GC	STAINLESS STEEL GASKETED COVER
7	1102-2	COVER CLIP (2 REQUIRED)
8	A-1097-1	SIMPLEX OR DUPLEX SLIDE ASSEMBLY
8A	1100	SLIDE ADJUSTMENT SCREW
8B	1099	ADJUSTMENT SCREW LOCKNUT
8C	A-1097	SIMPLEX OR DUPLEX SLIDE
8D	1098	SLIDE PIN
9	SLSD	SPRING LOADED SLIDE DEVICE
12	009	DUPLEX DRIVE SHAFT ASSEMBLY
	009-H	HYDRAULIC DUPLEX DRIVE SHAFT ASSEMBLY
13	FBP	V-10 SIMPLEX & DUPLEX BASE PLATE

ITEM	PART #	DESCRIPTION
CD1	192A02-20:1	90 RPM COUPLING DRIVE SPEED REDUCER
	192A02-25:1	60 RPM COUPLING DRIVE SPEED REDUCER
	192A02-50:1	30 RPM COUPLING DRIVE SPEED REDUCER
	192A02-100:1	18 RPM COUPLING DRIVE SPEED REDUCER
CD2	3L09 CD	DRIVE BEARING ASSEMBLY FOR 7/8" SHAFT
CD3	L075	5/8" X 5/8" LOVEJOY FLEXIBLE COUPLING SET
CD4	FCG	COUPLING GUARD
CD5	VAS-CD	OUTPUT COUPLING & CAM ASSEMBLY FOR 7/8" SHAFT
	VAS-CD-D	7/8" X 1/2" COUPLING FOR TRIPLEX OR QUAD
CD6	MS	MOTOR SPACER FOR COUPLING DRIVE (4 REQUIRED)
CD7	MO-3	1PH 120/240 VAC 60HZ 1/2 HP EPFC 56 FRAME
	MO-4	90 VDC 1/2 HP TEFC 56/56C FRAME
	MO-6	3PH 230/460 VAC 60HZ 1/2 HP EPFC 56 FRAME
	MO-7	3PH 230/460 VAC 60HZ 1/2 HP TEFC 56 FRAME
	MO-8	1PH 120/240 VAC 60HZ 1/2 HP TEFC 56 FRAME
	MO-12	1PH 120/240 VAC 60HZ 1/3 HP TEFC 56C FRAME
	MO-12V	1PH 120/240 VAC 60HZ 1/2 HP TEFC 56C FRAME
	MO-13	1PH 120/230 VAC 60HZ 1/2 HP EPFC 56C FRAME
	MO-14	90 VDC 1/4 HP TEFC 56C FRAME
	MO-14V	90 VDC 1/2 HP TEFC 56/56C FRAME
	MO-15	3PH 230/460 VAC 60HZ 1/3 HP TEFC 56C FRAME
	MO-15V	3PH 230/460 VAC 60HZ 1/2 HP TEFC 56C FRAME
	MO-16	3PH 240/480 VAC 60HZ 1/2 HP EPFC 56C FRAME
	MO-17	3PH 575 VAC 60HZ 1/3 HP TEFC 56C FRAME
	MO-18	1PH 115/230 VAC 50/60HZ 1/2 HP TEFC 56C FRAME
	MO-19	3PH 230/460 VAC 1/2 HP TENV INVERTER DUTY 56C
CD8	BP-CD	COUPLING DRIVE BASE PLATE
CD9	FMSR-60	60 RPM 56C FLANGED SPEED REDUCER
	FMSR-30	30 RPM 56C FLANGED SPEED REDUCER
	FMSR-18	18 RPM 56C FLANGED SPEED REDUCER
	FMSR-12	12 RPM 56C FLANGED DOUBLE REDUCTION SPEED REDUCER
	FMSR-6	6 RPM 56C FLANGED DOUBLE REDUCTION SPEED REDUCER

## DIAPHRAGM PUMPS

MODEL NUMBER  
 EXAMPLE

10560-12-SS



### V-10-H DIAPHRAGM PUMP (56C FLANGE DRIVE)

MODEL		
10	SIMPLEX	SINGLE DRIVE TO ONE PUMP HEAD
20	DUPLEX	SINGLE DRIVE TO TWO PUMP HEADS
30	TRIPLEX	SINGLE DRIVE TO THREE PUMP HEADS
40	QUAD	SINGLE DRIVE TO FOUR PUMP HEADS

BASIC V-10-H PUMP INCLUDES #12 MOTOR OPTION					
PISTON SIZE		SIMPLEX	DUPLEX	TRIPLEX	QUAD
5	5/8" DIA	X	X	X*	X*
7	1 1/2" DIA	X	X*	N/A	N/A
8	1" DIA	X	X*	X*	X*
9	2" DIA	X	X*	N/A	N/A

\* INCLUDES #12V MOTOR OPTION

STROKING RATE	
60	SIXTY STROKES PER MINUTE
30	THIRTY STROKES PER MINUTE
18	EIGHTEEN STROKES PER MINUTE
12	TWELVE STROKES PER MINUTE
06	SIX STROKES PER MINUTE

DRIVE	
00	PUMP ONLY (NO DRIVE OR BASE PLATE)
0FM	LESS MOTOR (FLANGE MOUNT)**
12	1/3HP 120/240VAC TEFC 60HZ 1PH (W/CORD)
12V	1/2HP 120/240VAC TEFC 60HZ 1PH
13	1/2HP 120/240VAC EPFC 60HZ 1PH
14	1/4HP 90VDC TEFC PERMANENT MAGNET
14V	1/2HP 90VDC TEFC PERMANENT MAGNET
15	1/3HP 240/480VAC TEFC 60HZ 3PH
15V	1/2HP 240/480VAC TEFC 60HZ 3PH
16	1/2HP 240/480VAC EPFC 60HZ 3PH
17	1/3HP 575VAC TEFC 60HZ 3PH
18	1/2HP 115/230VAC TEFC 50/60HZ 1PH
19	1/2HP 230/460VAC TENV INVERTER DUTY

VERTICAL MOTOR MOUNT OPTION AVAILABLE ON ALL V-10-H PUMPS

WET END		HEAD SIZES		
		5/8"	1"	1/1/2"- 2"
BLANK	POLYETHYLENE	X	X	X
SS	303 SS	X	X	X
S6	316 SS	X	X	X
C20	ALLOY 20	X	X	N/A

\*\* FLANGE MOUNT PUMPS LESS MOTOR ARE AVAILABLE FOR MOUNTING YOUR OWN 56C FRAME 1750 RPM 1/2 HP MOTOR

\*\*\* COUPLING DRIVE PUMPS LESS MOTOR ARE AVAILABLE FOR MOUNTING YOUR OWN 56 FRAME 1750 RPM 1/2 HP MOTOR WITH BASE

TENV	TOTALLY ENCLOSED NON-VENTILATED
TEFC	TOTALLY ENCLOSED FAN COOLED
EPFC	EXPLOSION PROOF FAN COOLED

### V-5-H DIAPHRAGM PUMP (COUPLING DRIVE)

MODEL		
10	SIMPLEX	SINGLE DRIVE TO ONE PUMP HEAD
20	DUPLEX	SINGLE DRIVE TO TWO PUMP HEADS
30	TRIPLEX	SINGLE DRIVE TO THREE PUMP HEADS
40	QUAD	SINGLE DRIVE TO FOUR PUMP HEADS

BASIC V-5-H PUMP INCLUDES #8 MOTOR OPTION					
PISTON SIZE		SIMPLEX	DUPLEX	TRIPLEX	QUAD
5	5/8" DIA	X	X	X	X
7	1 1/2" DIA	X	X	N/A	N/A
8	1" DIA	X	X	X	X
9	2" DIA	X	X	N/A	N/A

STROKING RATE	
60	SIXTY STROKES PER MINUTE
30	THIRTY STROKES PER MINUTE
18	EIGHTEEN STROKES PER MINUTE

DRIVE	
0CD	LESS MOTOR (COUPLING DRIVE)***
3	1/2HP 120/240VAC EPFC 60HZ 1PH
4	1/2HP 90VDC TEFC PERMANENT MAGNET
6	1/2HP 240/480VAC EPFC 60HZ 3PH
7	1/2HP 240/480VAC TEFC 60HZ 3PH
8	1/2HP 120/240VAC TEFC 60HZ 1PH

WET END		HEAD SIZES		
		5/8"	1"	1/1/2"- 2"
BLANK	POLYETHYLENE	X	X	X
SS	303 SS	X	X	X
S6	316 SS	X	X	X
C20	ALLOY 20	X	X	N/A

### V-6 DIAPHRAGM PUMP

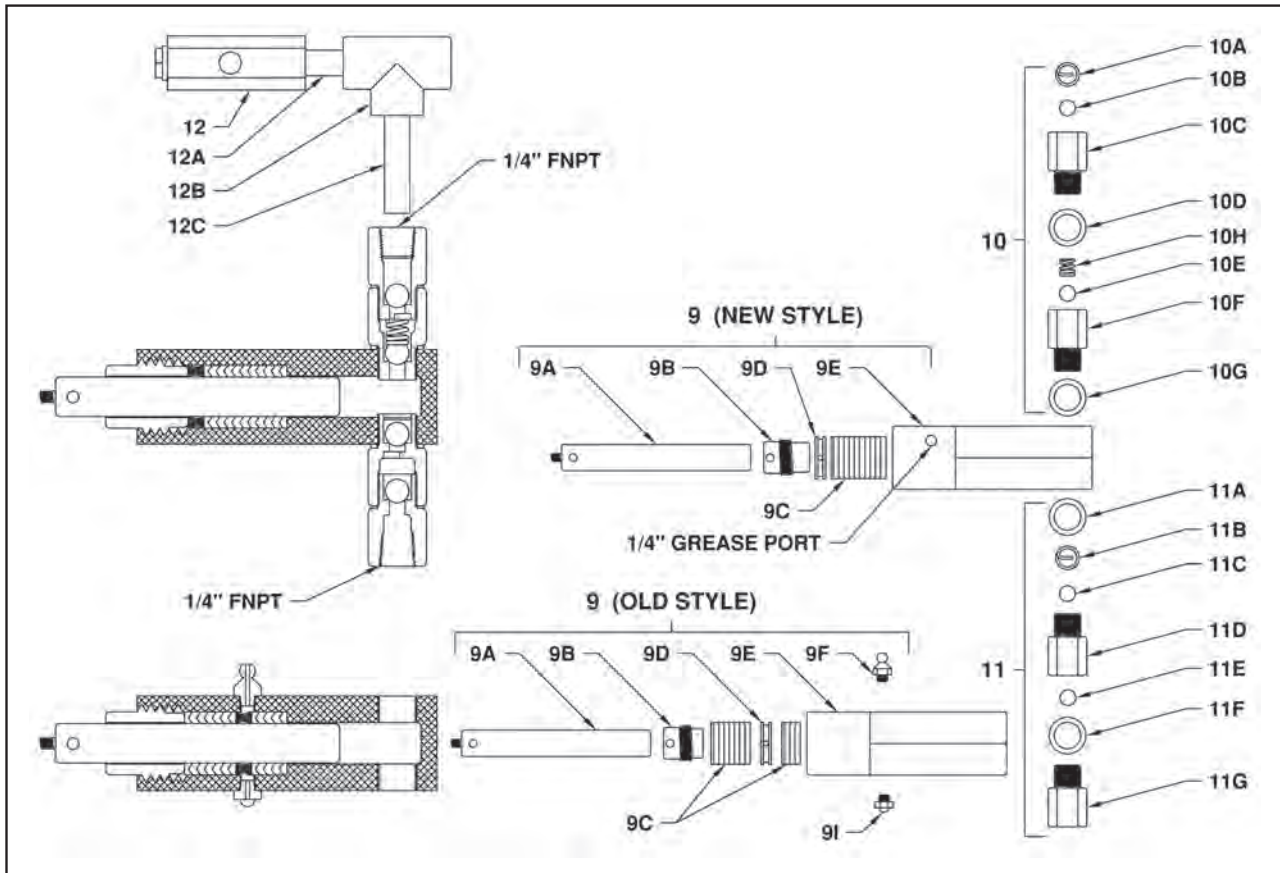
MODEL	
V-6-2	TWO STROKES PER MINUTE
V-6-6	SIX STROKES PER MINUTE
V-6-12	TWELVE STROKES PER MINUTE
V-6-30	THIRTY STROKES PER MINUTE
V-6-60	SIXTY STROKES PER MINUTE

V-6 MODELS ARE ONLY AVAILABLE WITH A 1/12TH HP 120 VAC TEFC 1PH 60 HZ GEAR MOTOR

V-6-60 SS

V-6 WET END	
BLANK	POLYETHYLENE
SS	303 STAINLESS
S6	316 STAINLESS

## 1/4" THRU 5/8" PISTON HEAD PARTS



ITEM	PART #	DESCRIPTION
9	1000-5	5/8" CS PISTON HEAD ASSEMBLY**
	1000-4	1/2" CS PISTON HEAD ASSEMBLY**
	1000-3	3/8" CS PISTON HEAD ASSEMBLY**
	1000-2	1/4" CS PISTON HEAD ASSEMBLY**
9A	007-4	5/8" DIAMETER 303SS PISTON***
	007-3	1/2" DIAMETER 303SS PISTON***
	007-2	3/8" DIAMETER 303SS PISTON***
	007-1	1/4" DIAMETER 303SS PISTON***
9B	003-6	5/8" & 1/2" PACKING NUT
	003-2	3/8" & 1/4" PACKING NUT
9C*	012-4	5/8" PACKING SET (BUNA N)
	012-3	1/2" PACKING SET (BUNA N)
	012-2	3/8" PACKING SET (BUNA N)
	012-1	1/4" PACKING SET (BUNA N)
9D	017-4	5/8" & 1/2" PACKING GLAND
	017-1	3/8" & 1/4" PACKING GLAND
9E	001-6	5/8" & 1/2" CS PUMP HEAD SHELL**
	001-2	3/8" & 1/4" CS PUMP HEAD SHELL**
9F	006-1	GREASE FITTING (OLD STYLE HEADS)
9I	006	GREASE RELIEF FITTING (OLD STYLE HEADS)

CS-CARBON STEEL  
 C20-ALLOY 20  
 HC-ALLOY 276

OLD STYLE HEADS HAD A GREASE FITTING AND GREASE RELIEF FITTING. THE V-10 SERIES HEADS DO NOT HAVE GREASE FITTINGS. THE GREASE FITTING FOR LUBRICATING THE PISTON IS IN THE MAIN PUMP CASTING AND ALIGNS WITH A GREASE PORT IN THE NEW STYLE PUMP HEADS. UNLESS OLD STYLE IS SPECIFIED, ALL ORDERS WILL BE FILLED USING THE NEW STYLE PARTS.

ITEM	PART #	DESCRIPTION
10	002-D	303SS DISCHARGE CHECK VALVE ASSEMBLY***
10A	002-7	BALL RETAINER CLIP
10B	002-5	3/8" DIAMETER 316SS BALL CHECK
10C	002-3	TOP DISCHARGE CHECK BODY
10D	002-6	NICKEL PLATED COPPER SEAL
10E	002-5	3/8" DIAMETER 316SS BALL CHECK
10F	002-2	BOTTOM DISCHARGE CHECK BODY
10G	002-6	NICKEL PLATED COPPER SEAL
10H	002-0	ANTI-SIPHON SPRING (OPTIONAL) ALLOY 276
11	002-S	303SS SUCTION CHECK VALVE ASSEMBLY***
11A	002-6	NICKEL PLATED COPPER SEAL
11B	002-7	BALL RETAINER CLIP
11C	002-5	3/8" DIAMETER 316SS BALL CHECK
11D	002-1	TOP SUCTION CHECK BODY
11E	002-5	3/8" DIAMETER 316SS BALL CHECK
11F	002-6	NICKEL PLATED COPPER SEAL
11G	002-4	BOTTOM SUCTION CHECK BODY
12	18	1/4" NPT 303SS PRESSURE RELIEF VALVE
12A		1/4" NPT X 1 1/2" BLACK NIPPLE
12B		1/4" NPT 300# BLACK TEE
12C		1/4" NPT X 2 1/2" BLACK NIPPLE

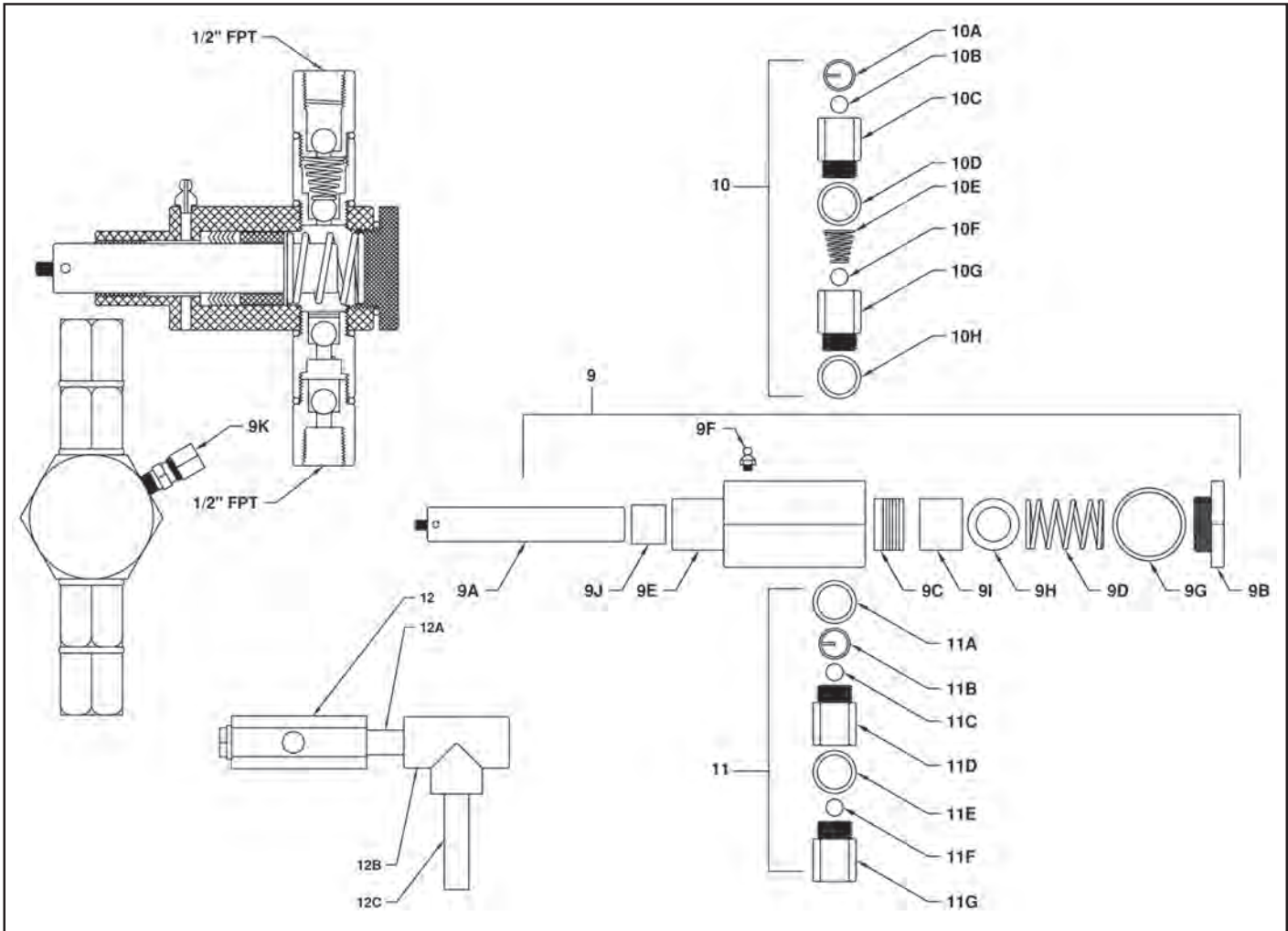
### OPTIONAL MATERIALS

\* OPTIONAL PACKING MATERIALS, VITON (-V) AND TEFLON (-T)

\*\* 303SS  
 316SS  
 C20  
 HC

\*\*\* 316SS  
 C20  
 HC

# 1" PISTON HEAD PARTS



ITEM	PART #	DESCRIPTION
9	1000-6	1" CS PISTON HEAD ASSEMBLY** (LESS CKS)
9A*	007-7	1" DIAMETER 303SS PISTON***
9B	003-7	1" CS END CAP
9C*	012-7	1" PACKING SET (BUNA N) ****
9D	017-10	1" PACKING SPRING 316SS
9E	001-7	1" CS PUMP HEAD SHELL**
9F	006-1	GREASE FITTING
9G*	017-9	1 7/8" ID X 1/8" CROSS SECTION VITON "O" RING SEAL
9H	017-8	1" SS PACKING WASHER
9I	018-3	1" PACKING SPACER
9J	008-20	1 1/8" X 1" X 3/4" LONG OILITE BUSHING
9K	017-17-S	316SS PRIMING CHECK VALVE
10*	002-1"D	1" 303SS DISCHARGE CHECK VALVE ASSEMBLY***
10A	002-24	1/2" BALL RETAINER CLIP
10B	002-26	1/2" DIAMETER 316SS BALL CHECK
10C	002-20	1" TOP DISCHARGE CHECK BODY
10D	002-25	1" ID X 1/8" CROSS SECTION "O" RING SEAL

ITEM	PART #	DESCRIPTION
10E	002-27	ANTI-SIPHON CONE SPRING ALLOY 276
10F	002-26	1/2" DIAMETER 316SS BALL CHECK
10G	002-21	1" BOTTOM DISCHARGE CHECK BODY
10H	002-25	1" ID X 1/8" CROSS SECTION "O" RING SEAL
11*	002-1"S	1" 303SS SUCTION CHECK VALVE ASSEMBLY***
11A	002-25	1" ID X 1/8" CROSS SECTION "O" RING SEAL
11B	002-24	1/2" BALL RETAINER CLIP
11C	002-26	1/2" DIAMETER 316SS BALL CHECK
11D	002-22	1" TOP SUCTION CHECK BODY
11E	002-25	1" ID X 1/8" CROSS SECTION "O" RING SEAL
11F	002-26	1/2" DIAMETER 316SS BALL CHECK
11G	002-23	1" BOTTOM SUCTION CHECK BODY
12	36	1/2" NPT 303SS PRESSURE RELIEF VALVE
12A		1/2" NPT X 1 1/2" BLACK NIPPLE
12B		1/2" NPT BLACK TEE
12C		1/2" NPT X 2 1/2" BLACK NIPPLE

**\* RECOMMENDED SPARE PARTS**

CS-CARBON STEEL  
 C20-ALLOY 20

**OPTIONAL MATERIALS**

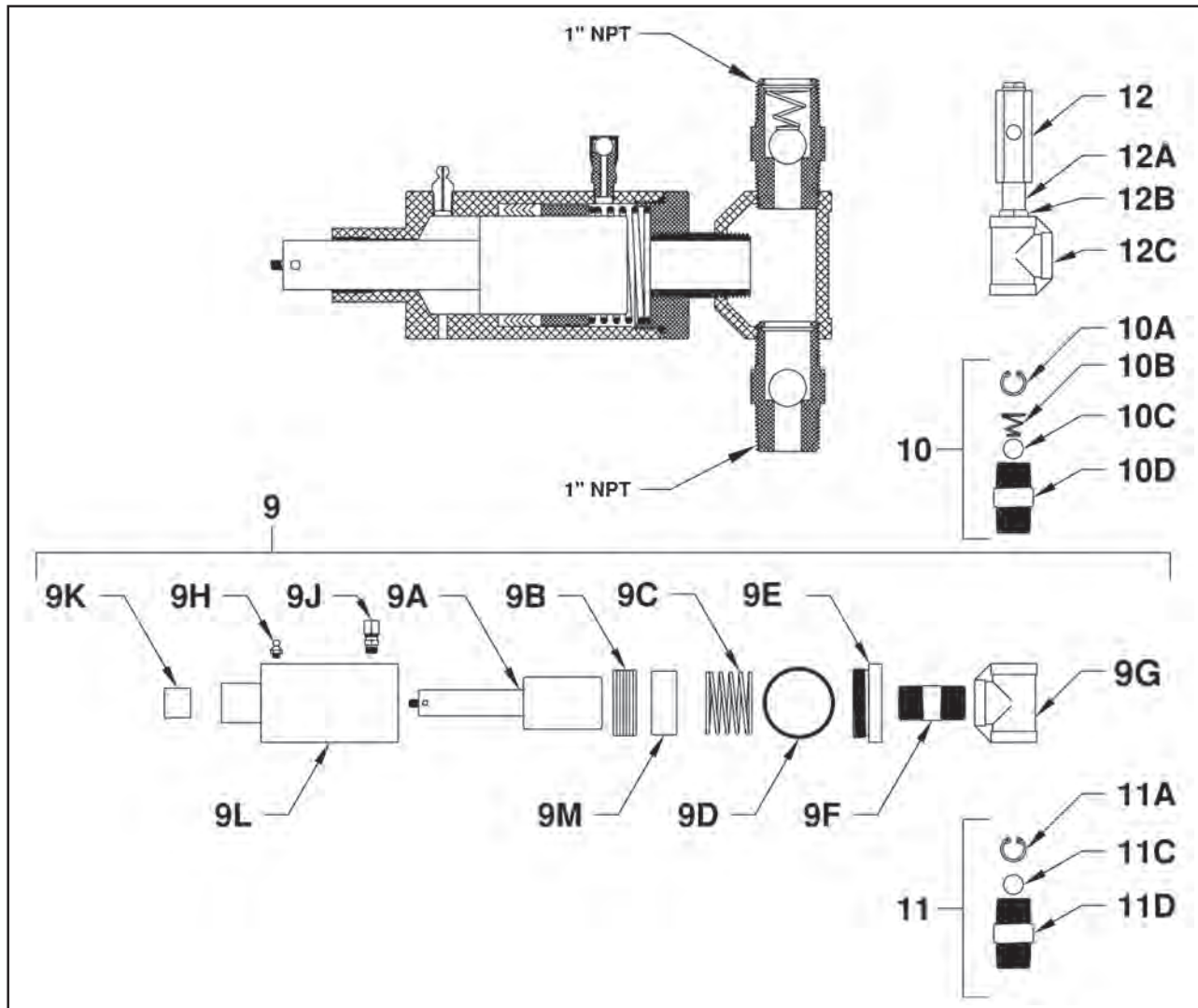
\*\* 303SS  
 316SS  
 C20

\*\*\* 316SS  
 C20

\*\*\*\* OPTIONAL PACKING MATERIALS, VITON (-V) AND TEFLON (-T)



## 1 1/2" & 2" PISTON HEAD PARTS



ITEM	PART #	DESCRIPTION
9	1000-7	1 1/2" CS PISTON HEAD ASSEMBLY** W/CKS
	1000-8	2" CS PISTON HEAD ASSEMBLY** W/CKS
9A*	007-8	1 1/2" DIAMETER 303SS PISTON***
	007-9	2" DIAMETER 303SS PISTON***
9B*	012-8	1 1/2" PACKING SET (BUNA N)*****
	012-9	2" PACKING SET (BUNA N)*****
9C	017-20	1 1/2" & 2" PACKING SPRING 316SS
9D*	017-21	2 1/2" ID X 1/8" CROSS SECTION VITON "O" RING SEAL
9E	003-20	1 1/2" & 2" CS END CAP****
9F	002-13	1" NPT X CLOSE BLACK NIPPLE
	002-13-S	1" NPT X CLOSE 316SS NIPPLE
9G	002-12	1" NPT BLACK TEE
	002-12-S	1" NPT 316SS TEE
9H	006-1	GREASE FITTING
9J	017-17-S	316SS PRIMING CHECK VALVE
9K	008-20	1 1/8" X 1" X 3/4" LONG OILITE BUSHING
9L	001-20	1 1/2" & 2" CS PUMP HEAD SHELL****
9M	018-1	1 1/2" PACKING SPACER
	018-2	2" PACKING SPACER

**\* RECOMMENDED SPARE PARTS**

CS-CARBON STEEL  
 C20-ALLOY 20

ITEM	PART #	DESCRIPTION
10*	002-19-D	303SS DISCHARGE CHECK VALVE ASSEMBLY****
10A	16-SS	SS SNAP RING BALL RETAINER
10B	002-27	ANTI-SIPHON CONE SPRING ALLOY 276
10C	002-17	3/4" DIAMETER 316SS BALL CHECK
10D	002-18	303SS CHECK VALVE BODY***
11*	002-19-S	303SS SUCTION CHECK VALVE ASSEMBLY****
11A	16-SS	SS SNAP RING BALL RETAINER
11C	002-17	3/4" DIAMETER 316SS BALL CHECK
11D	002-18	303SS CHECK VALVE BODY***
12	36	1/2" NPT 303SS PRESSURE RELIEF VALVE
12A		1/2" NPT X 1 1/2" BLACK NIPPLE
12B		1" NPT X 1/2" NPT BLACK BUSHING
12C	002-12	1" NPT BLACK TEE

**OPTIONAL MATERIALS**

\*\* 303SS  
 316SS  
 C20

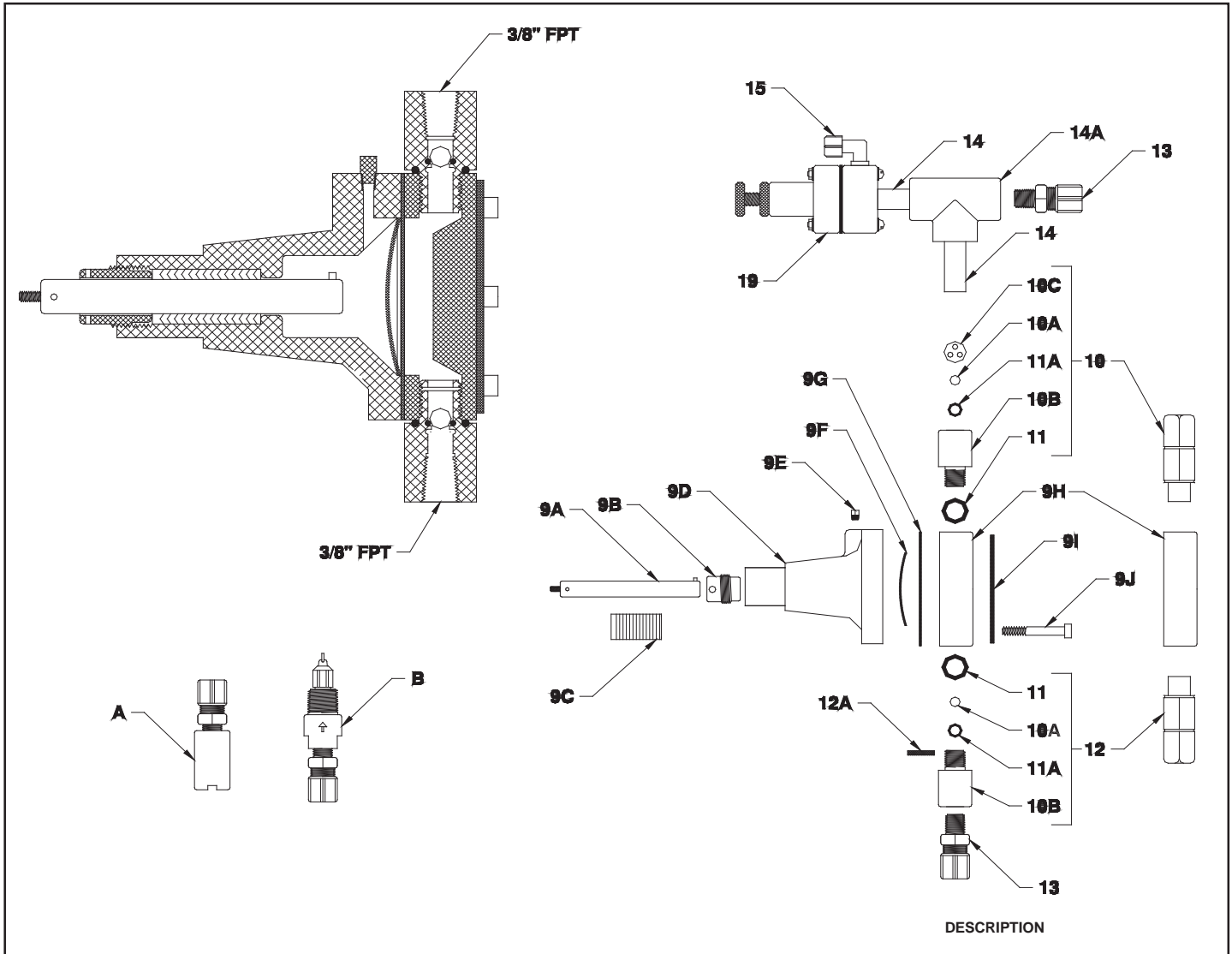
\*\*\* 316SS  
 C20

\*\*\*\* 303SS  
 316SS  
 C20

\*\*\*\*\* OPTIONAL PACKING MATERIAL, VITON (-V) AND TEFLON (-T)



# 5/8" DIAPHRAGM HEAD PARTS



ITEM	PART #	DESCRIPTION
9	0100-5	5/8" POLYETHYLENE PUMP HEAD ASSEMBLY W/CHECKS**
9A	007-H	5/8" DIAMETER 303SS HYDRAULIC PISTON
9B	003-6	5/8" PACKING NUT
9C	012-H	5/8" HYDRAULIC PACKING SET (BUNA N)
9D	001-H	5/8" HYDRAULIC PUMP HEAD SHELL
9E	0006-2	1/8" PIPE PLUG
9F	030-H	5/8" & 1" HYDRAULIC PUMP HEAD SCREEN
9G*	026-H-2	5/8" & 1" HYDRAULIC PUMP HEAD TEFLON DIAPHRAGM (STANDARD)
	026-H-1	5/8" & 1" HYDRAULIC PUMP HEAD VITON DIAPHRAGM
	026-H-3	5/8" & 1" HYDRAULIC PUMP HEAD NEOPRENE DIAPHRAGM
9H	025-H-1	5/8" & 1" POLYETHYLENE PUMP HEAD (STANDARD)
	025-H-2	5/8" & 1" 303SS HYDRAULIC PUMP HEAD
	025-H-3	5/8" & 1" PVC HYDRAULIC PUMP HEAD
	025-H-4	5/8" & 1" 316SS HYDRAULIC PUMP HEAD
	025-H-5	5/8" & 1" ALLOY 20 HYDRAULIC PUMP HEAD
9I	029-H	CLAMP PLATE FOR POLYETHYLENE & PVC HEADS
9J	027-H	HYDRAULIC PUMP HEAD BOLTS (6 REQUIRED)

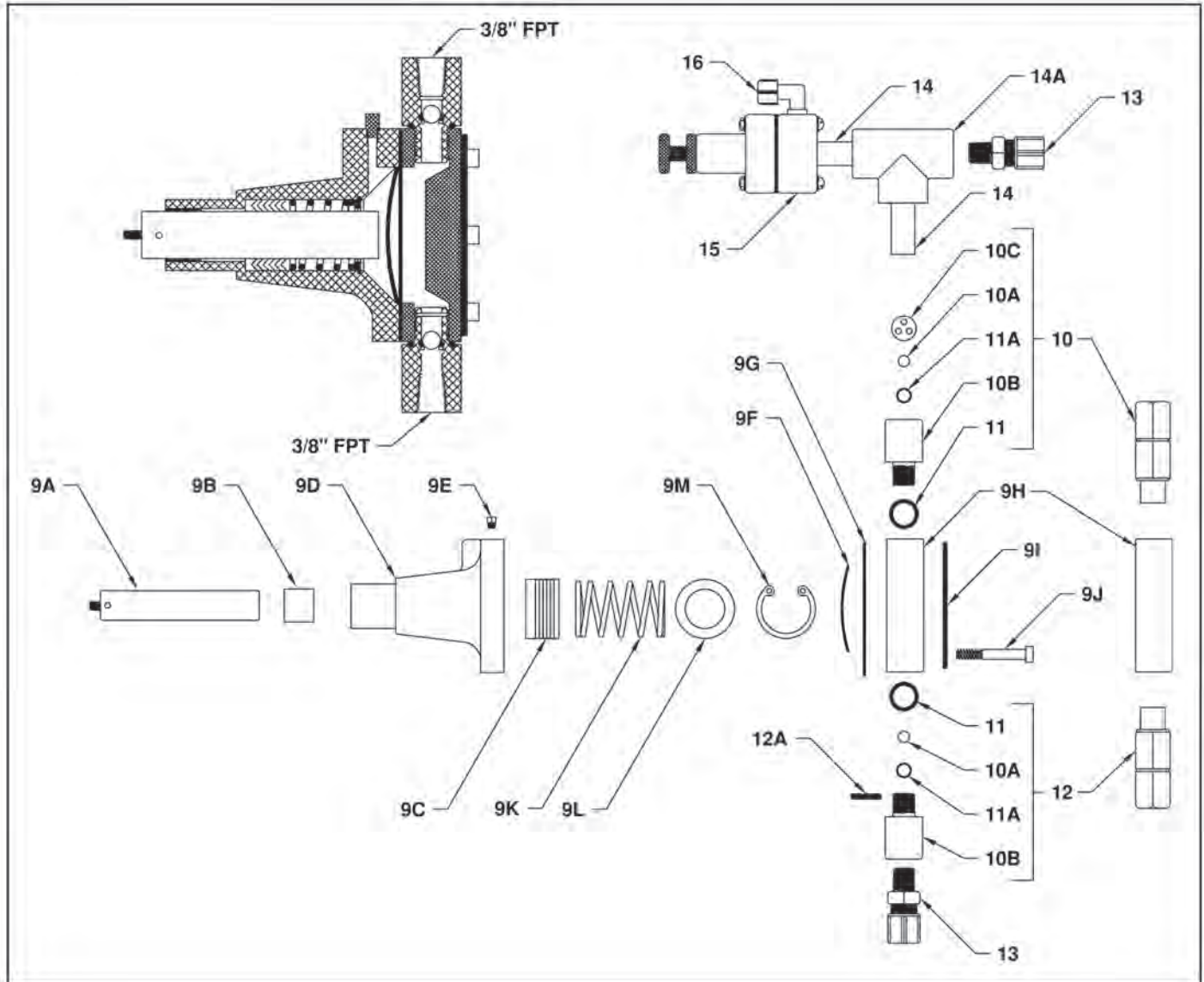
\* RECOMMENDED SPARE PARTS

ITEM	PART #	DESCRIPTION
10*	002-DH	POLYETHYLENE DISCHARGE CHECK VALVE ASSEMBLY
	002-D	303SS DISCHARGE CHECK VALVE ASSEMBLY
10A	002-9	3/8" DIAMETER CERAMIC BALL CHECK
10B	002-1H	POLYETHYLENE CHECK VALVE BODY
10C	002-7H	BALL RETAINER DISC
11	028-H	3/4" X 1/8" CROSS SECTION VITON "O" RING SEAL
11A	028-S	VITON "O" RING SEAT
12*	002-SH	POLYETHYLENE SUCTION CHECK VALVE ASSEMBLY
	002-S	303SS SUCTION CHECK VALVE ASSEMBLY
12A	002-8H	BALL RETAINER PIN
13	38-38	3/8" NPT X 3/8" OD TUBE FITTING
14	050-P-38	3/8" NPT X 2" PVC NIPPLE
14A	050-P-16	3/8" NPT PVC TEE
15	14-14-90	1/4" NPT X 1/4" OD TUBE ELBOW FITTING
19	19	3/8" NPT POLYETHYLENE PRESSURE RELIEF VALVE
A	9	1/4" NPT POLYETHYLENE FOOT VALVE
B	8	1/2" NPT POLYETHYLENE INJECTION NOZZLE

OPTIONAL MATERIALS

- \*\* 303SS
- 316SS
- C20 C20 IS ALLOY 20

# 1" DIAPHRAGM HEAD PARTS



ITEM	PART #	DESCRIPTION
9	0100-6	1" POLYETHYLENE PUMP HEAD ASSEMBLY W/CHECKS**
9A	007-7H	1" DIAMETER 303SS HYDRAULIC PISTON
9B	008-20	1 1/8" X 1" X 3/4" LONG OILITE BUSHING
9C	012-7H	1" HYDRAULIC PACKING SET (BUNA N)
9D	001-1H	1" HYDRAULIC PUMP HEAD SHELL
9E	0006-2	1/8" PIPE PLUG
9F	030-H	5/8" & 1" HYDRAULIC PUMP HEAD SCREEN
9G*	026-H-2	5/8" & 1" HYDRAULIC PUMP HEAD TEFLON DIAPHRAGM (STANDARD)
	026-H-1	5/8" & 1" HYDRAULIC PUMP HEAD VITON DIAPHRAGM
	026-H-3	5/8" & 1" HYDRAULIC PUMP HEAD NEOPRENE DIAPHRAGM
9H	025-H-1	5/8" & 1" POLYETHYLENE PUMP HEAD (STANDARD)
	025-H-2	5/8" & 1" 303SS HYDRAULIC PUMP HEAD
	025-H-3	5/8" & 1" PVC HYDRAULIC PUMP HEAD
	025-H-4	5/8" & 1" 316SS HYDRAULIC PUMP HEAD
	025-H-5	5/8" & 1" ALLOY 20 HYDRAULIC PUMP HEAD
9I	029-H	CLAMP PLATE FOR POLYETHYLENE & PVC HEADS
9J	027-H	HYDRAULIC PUMP HEAD BOLTS (6 REQUIRED)
9K	017-10	1" PACKING SPRING
9L	017-8	1" SS PACKING WASHER
9M	015	SNAP RING

ITEM	PART #	DESCRIPTION
10*	002-DH	POLYETHYLENE DISCHARGE CHECK VALVE ASSEMBLY
	002-D	303SS DISCHARGE CHECK VALVE ASSEMBLY
10A	002-9	3/8" DIAMETER CERAMIC BALL CHECK
10B	002-1H	POLYETHYLENE CHECK VALVE BODY
10C	002-7H	BALL RETAINER DISC
11	028-H	3/4" X 1/8" CROSS SECTION VITON "O" RING SEAL
11A	028-S	VITON "O" RING SEAT
12*	002-SH	POLYETHYLENE SUCTION CHECK VALVE ASSEMBLY
	002-S	303SS SUCTION CHECK VALVE ASSEMBLY
12A	002-8H	BALL RETAINER PIN
13	38-38	3/8" NPT X 3/8" OD TUBE FITTING
14	050-P-38	3/8" NPT X 2" PVC NIPPLE
14A	050-P-16	3/8" NPT PVC TEE
15	36P	1/2" NPT POLYETHYLENE PRESSURE RELIEF VALVE
16	38-38-90	3/8" NPT x 3/8" OD TUBE ELBOW FITTING

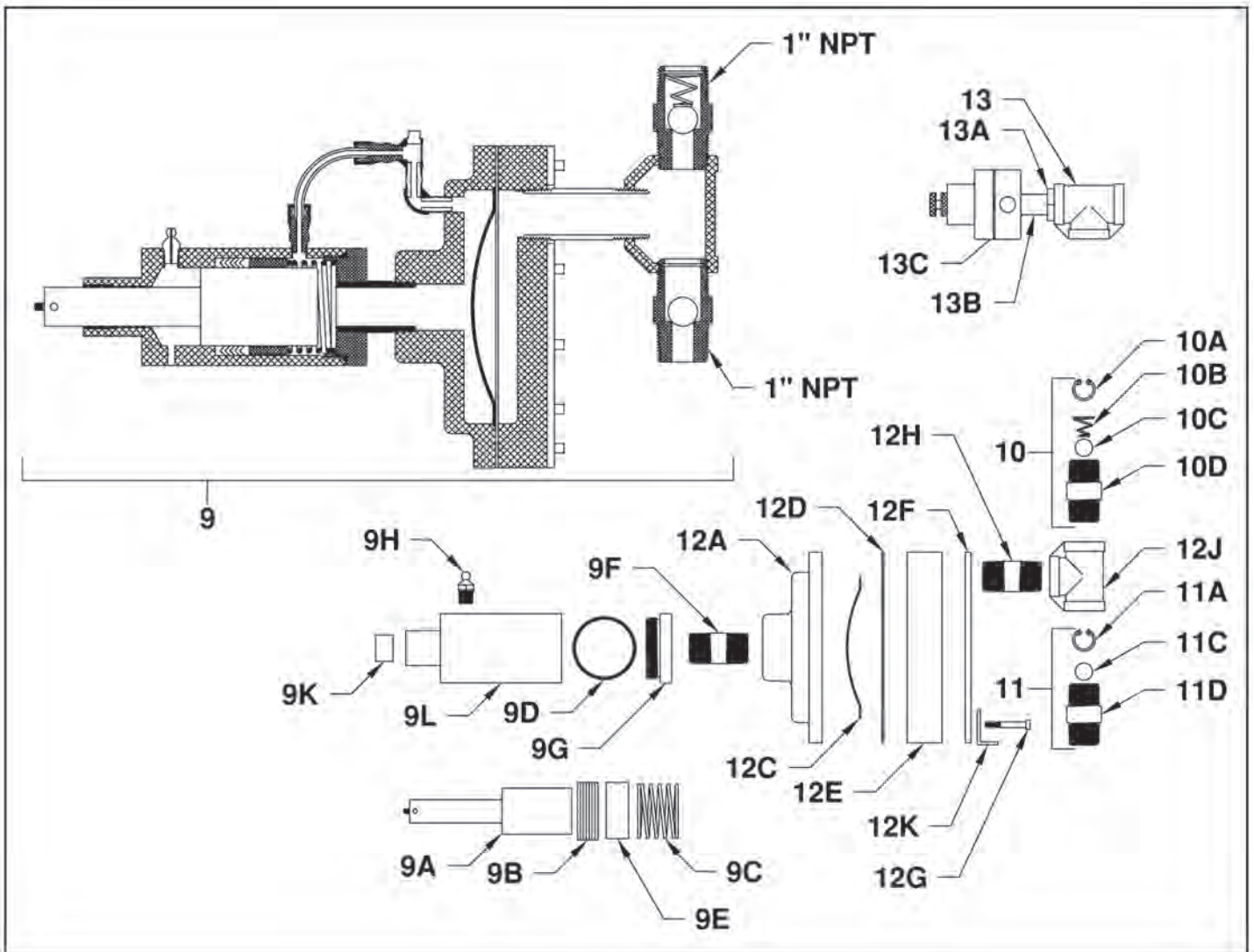
**OPTIONAL MATERIALS**

\*\* 303SS  
 316SS  
 C20

C20 IS ALLOY 20

\* RECOMMENDED SPARE PARTS

## 1 1/2" & 2" DIAPHRAGM HEAD PARTS



ITEM	PART #	DESCRIPTION
9	0100-7	1 1/2" POLYETHYLENE PUMP HEAD ASSEMBLY W/CHECKS***
	0100-8	2" POLYETHYLENE PUMP HEAD ASSEMBLY W/CHECKS***
9A	007-8	1 1/2" DIAMETER 303SS PISTON
	007-9	2" DIAMETER 303SS PISTON
9B	012-8	1 1/2" PACKING SET (BUNA N)
	012-9	2" PACKING SET (BUNA N)
9C	017-20	1 1/2" & 2" PACKING SPRING
9D	017-21	2 1/2" ID X 1/8" DIAMETER "O" RING SEAL
9E	018-1	1 1/2" PACKING SPACER
	018-2	2" PACKING SPACER
9F	002-13	1" NPT X CLOSE BLACK NIPPLE
9G	003-20	1 1/2" & 2" CARBON STEEL END CAP
9H	006-1	GREASE FITTING
9K	008-20	1 1/8" X 1" X 3/4" LONG OILITE BUSHING
9L	001-20	1 1/2" & 2" PUMP HEAD SHELL
10*	002-22P-D	POLYETHYLENE DISCHARGE CHECK VALVE ASSEMBLY
	002-19-D	303SS DISCHARGE CHECK VALVE ASSEMBLY**
10A	16-SS	SS SNAP RING BALL RETAINER
10B	002-27	ANTI-SIPHON SPRING CONE SPRING ALLOY 276
10C	007-20	3/4" DIAMETER CERAMIC BALL CHECK
	002-17	3/4" DIAMETER 316SS BALL CHECK
10D	002-30	POLYETHYLENE CHECK VALVE BODY
	002-18	303SS CHECK VALVE BODY

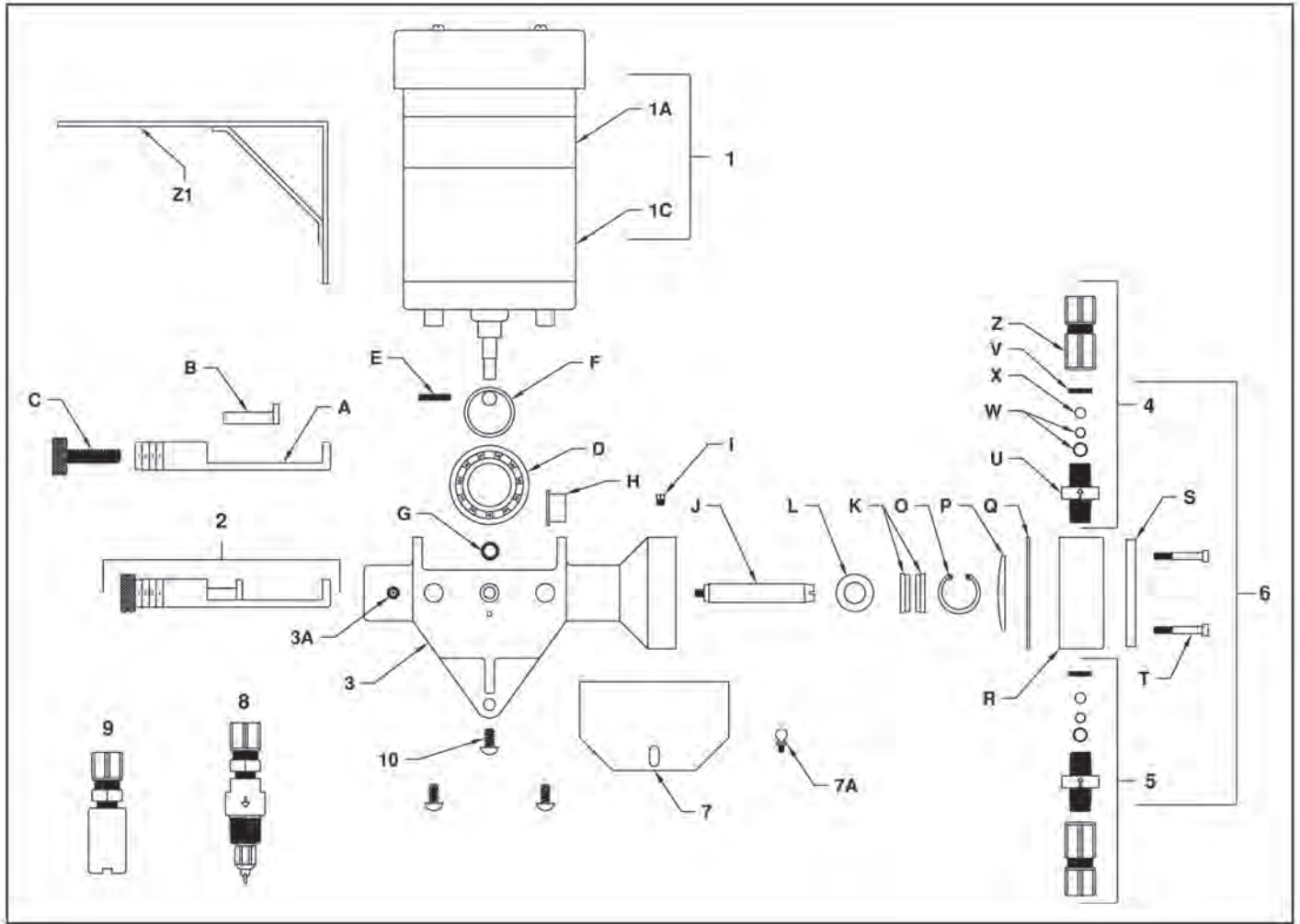
ITEM	PART #	DESCRIPTION
11*	002-22P-S	POLYETHYLENE SUCTION CHECK VALVE ASSEMBLY
	002-19-S	303SS SUCTION CHECK VALVE ASSEMBLY**
11A	16-SS	SS SNAP RING BALL RETAINER
11C	007-20	3/4" DIAMETER CERAMIC BALL CHECK
	002-17	3/4" DIAMETER 316SS BALL CHECK
11D	002-30	POLYETHYLENE CHECK VALVE BODY
	002-18	303SS CHECK VALVE BODY
12A	001-H20	1 1/2" & 2" HYDRAULIC HEAD CASTING
12C	030-2H	SCREEN
12D	026-2H	1 1/2" & 2" HYDRAULIC HEAD TEFLON DIAPHRAGM
12E	025-H20	1 1/2" & 2" POLYETHYLENE HYDRAULIC HEAD (STANDARD)
	025-H20-S	1 1/2" & 2" 303SS HYDRAULIC HEAD
12F	029-H20	POLYETHYLENE PUMP HEAD CLAMP PLATE
12G	027-H20	HEAD BOLTS (12 REQUIRED)
12H	002-13-P	1" NPT X SHORT PVC NIPPLE
	002-13-S	1" NPT X SHORT 316SS NIPPLE
12J	002-12-P	1" NPT PVC TEE
	002-12-S	1" 316SS TEE
12K	031	HEAD SUPPORT LEG
13	002-12-P	1" NPT PVC TEE
13A		1/2" NPT X 1" NPT PVC BUSHING
13B		1/2" NPT X 1 1/2" PVC NIPPLE
13C	36P	1/2" NPT POLYETHYLENE PRESSURE RELIEF VALVE

\* RECOMMENDED SPARE PARTS

OPTIONAL MATERIALS

- \*\* 316SS
- \*\*\* 303SS
- \*\*\* 316SS

## V-6 PUMP PARTS



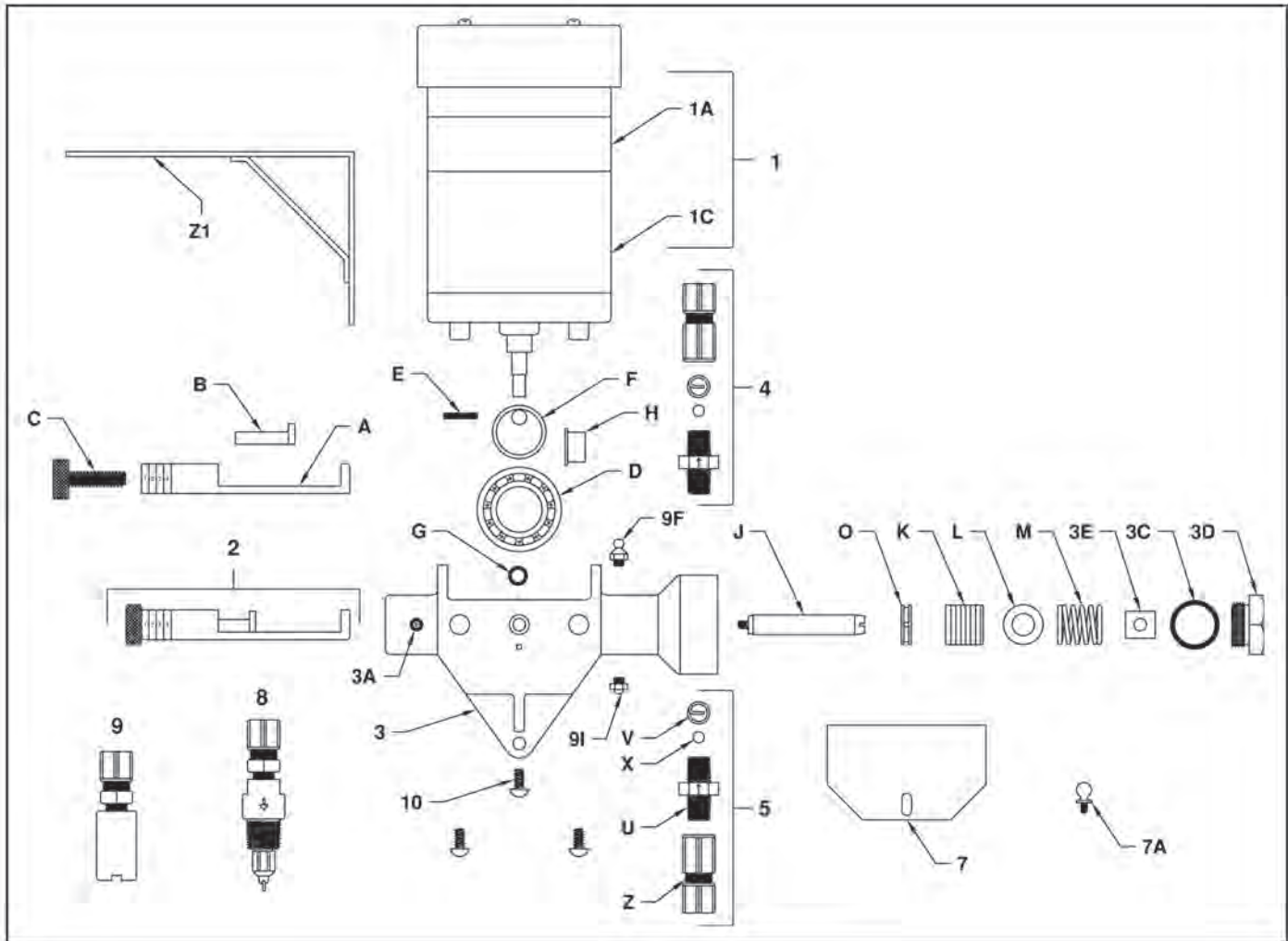
ITEM	PART #	DESCRIPTION
1	VW-2	120 VAC 1PH 1/20TH HP 2 RPM GEAR MOTOR
	VW-6	120 VAC 1PH 1/20TH HP 6 RPM GEAR MOTOR
	VW-12	120 VAC 1PH 1/12TH HP 12 RPM GEAR MOTOR
	VW-30	120 VAC 1PH 1/12TH HP 30 RPM GEAR MOTOR
	VW-60	120 VAC 1PH 1/12TH HP 60 RPM GEAR MOTOR
1A	6K151	REPLACEMENT MOTOR (SPECIFY GEAR HEAD RPM)
1C	1C-2	2 RPM VW GEAR HEAD ASSEMBLY
	1C-6	6 RPM VW GEAR HEAD ASSEMBLY
	1C-12	12 RPM VW GEAR HEAD ASSEMBLY
	1C-30	30 RPM VW GEAR HEAD ASSEMBLY
	1C-60	60 RPM VW GEAR HEAD ASSEMBLY
2	097	SLIDE ARM ASSEMBLY
3	08	V-6 PUMP CASTING
3A	006-2	SLIDE GREASE FITTING
4*	02DH	POLYETHYLENE DISCHARGE CHECK VALVE ASSEMBLY
	02D-S	303SS DISCHARGE CHECK VALVE ASSEMBLY
5*	02SH	POLYETHYLENE SUCTION CHECK VALVE ASSEMBLY
	02S-S	303SS SUCTION CHECK VALVE ASSEMBLY
6	102S	POLYETHYLENE PUMP HEAD ASSEMBLY W/CHECKS
	102S SS	303SS PUMP HEAD ASSEMBLY W/CHECKS
7	102	PLASTIC COVER
	102 GC	SS GASKETED COVER
7A	1102-1	COVER SCREW
8	8	POLYETHYLENE INJECTION NOZZLE
9	9	POLYETHYLENE FOOT VALVE
10	08-4	1/4-20 BUTTON HEAD SCREW (3 REQUIRED)

ITEM	PART #	DESCRIPTION
A	090	SLIDE
B	098	SLIDE PIN
C	099	STROKE ADJUSTMENT SCREW & LOCKNUT
D	3L06	DRIVE BEARING
E	101-1	1/8" X 1" ROLLED PIN
F	101	DRIVE BEARING SUPPORT CAM
G	312	OILITE SUPPORT BUSHING
H	500	OILITE PISTON BUSHING
I	0006-2	1/8" NPT OIL RESERVOIR PIPE PLUG
J	07	V-6 HARDENED STEEL PISTON
K	12	V-6 PACKING SET
L	13	PACKING RETAINER WASHER
O	16	SNAP RING
P	30	V-6 DIAPHRAGM SCREEN
Q*	26	TEFLON DIAPHRAGM
R	25	POLYETHYLENE HEAD
	25 SS	303SS HEAD
	25 S6	316SS HEAD
S	29	CLAMP PLATE FOR POLYETHYLENE HEAD
T	27	PUMP HEAD BOLT (4 REQUIRED)
U	02	POLYETHYLENE CHECK VALVE BODY
V	02-8	BALL CHECK RETAINING PIN
W	28	VITON "O" RING SEAT
X	002-9	3/8" DIAMETER CERAMIC BALL CHECK
Z	50-9	3/8" NPT X 3/8" OD POLY TUBING FITTING
	50-9 SS	3/8" NPT X 3/8" OD 316SS TUBING FITTING
Z1	Z1	MINI-PUMP WALL BRACKET

\* RECOMMENDED SPARE PARTS



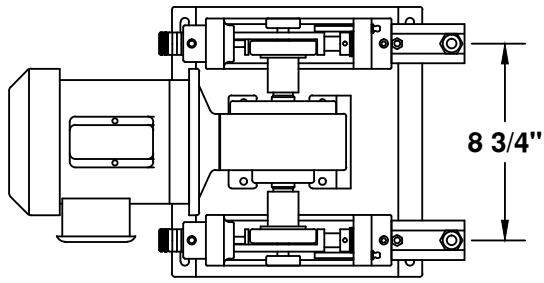
## V-7 PUMP PARTS



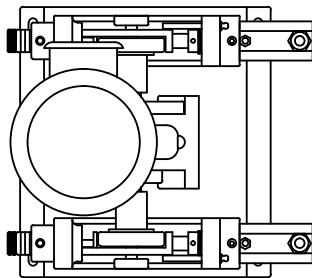
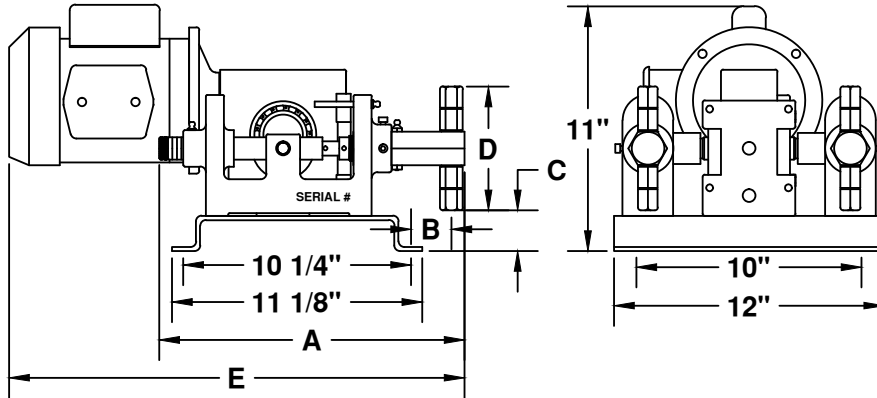
ITEM	PART #	DESCRIPTION
1	VW-2	120 VAC 1PH 1/20TH HP 2 RPM GEAR MOTOR
	VW-6	120 VAC 1PH 1/20TH HP 6 RPM GEAR MOTOR
	VW-12	120 VAC 1PH 1/12TH HP 12 RPM GEAR MOTOR
	VW-30	120 VAC 1PH 1/12TH HP 30 RPM GEAR MOTOR
	VW-60	120 VAC 1PH 1/12TH HP 60 RPM GEAR MOTOR
1A	6K151	REPLACEMENT MOTOR (SPECIFY GEAR HEAD RPM)
1C	1C-2	2 RPM VW GEAR HEAD ASSEMBLY
	1C-6	6 RPM VW GEAR HEAD ASSEMBLY
	1C-12	12 RPM VW GEAR HEAD ASSEMBLY
	1C-30	30 RPM VW GEAR HEAD ASSEMBLY
	1C-60	60 RPM VW GEAR HEAD ASSEMBLY
2	097	SLIDE ARM ASSEMBLY
3	08-P	V-7 PUMP CASTING
3A	006-2	SLIDE GREASE FITTING
4*	02D-S	303SS DISCHARGE CHECK VALVE ASSEMBLY
5*	02S-S	303SS SUCTION CHECK VALVE ASSEMBLY
7	102	PLASTIC COVER
	102 GC	SS GASKETED COVER
7A	1102-1	COVER SCREW
8	8	POLYETHYLENE INJECTION NOZZLE
9	9	POLYETHYLENE FOOT VALVE
9F	006-5	GREASE FITTING
9I	006	GREASE RELIEF FITTING
10	08-4	1/4-20 BUTTON HEAD SCREW (3 REQUIRED)

ITEM	PART #	DESCRIPTION
A	090	SLIDE
B	098	SLIDE PIN
C	099	STROKE ADJUSTMENT SCREW & LOCKNUT
D	3L06	DRIVE BEARING
E	101-1	1/8" X 1" ROLLED PIN
F	101	DRIVE BEARING SUPPORT CAM
G	312	OILITE SUPPORT BUSHING
H	500	OILITE PISTON BUSHING
J*	07-SS	V-7 STAINLESS STEEL PISTON
K*	012-3 (V-7)	V-7 PACKING SET
L	13	PACKING RETAINER WASHER
M	M	PACKING LOAD SPRING
O	017-4	GREASE GLAND
U	02-S	303SS CHECK VALVE BODY
V	002-7	BALL CHECK RETAINER SPRING
X	002-5	3/8" DIAMETER 316SS BALL CHECK
Z	50-9	3/8" NPT X 3/8" OD POLY TUBING FITTING
	50-9 SS	3/8" NPT X 3/8" OD 316SS TUBING FITTING
Z1	Z1	MINI-PUMP WALL BRACKET
3C	3C	VITON "O" RING CAP SEAL
3D	3D	V-7 END CAP
3E	3E	V-7 PACKING SPACER SLEEVE

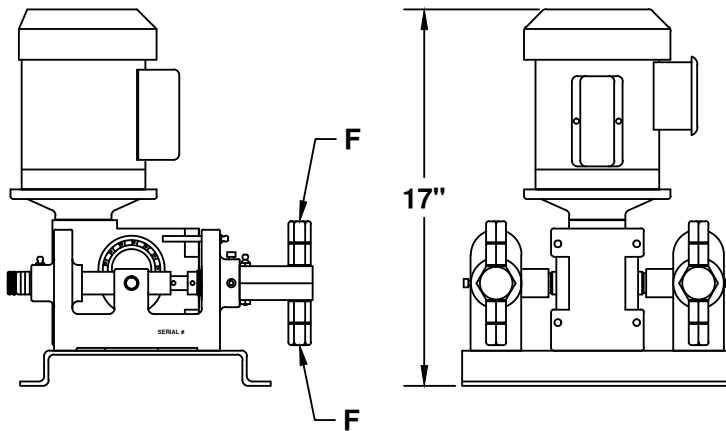
\* RECOMMENDED SPARE PARTS



## V-10 HORIZONTAL (STANDARD)

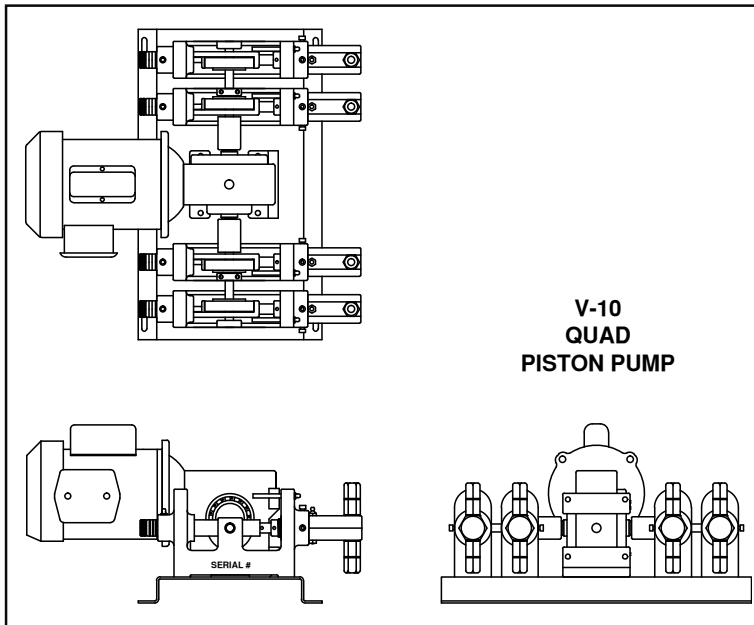
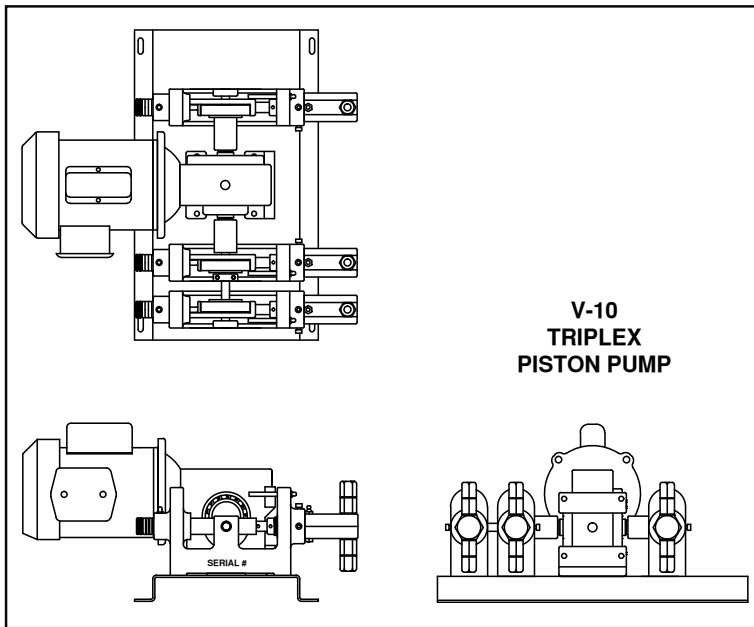
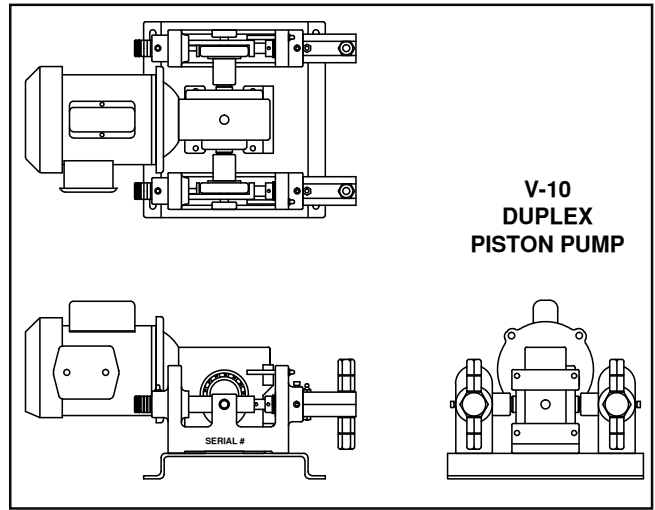
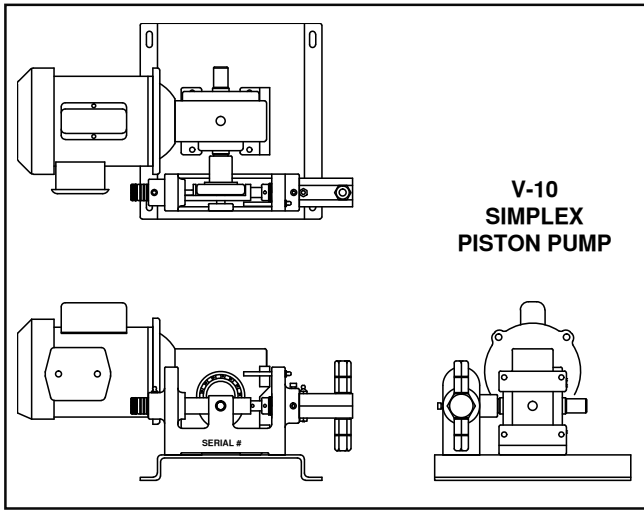


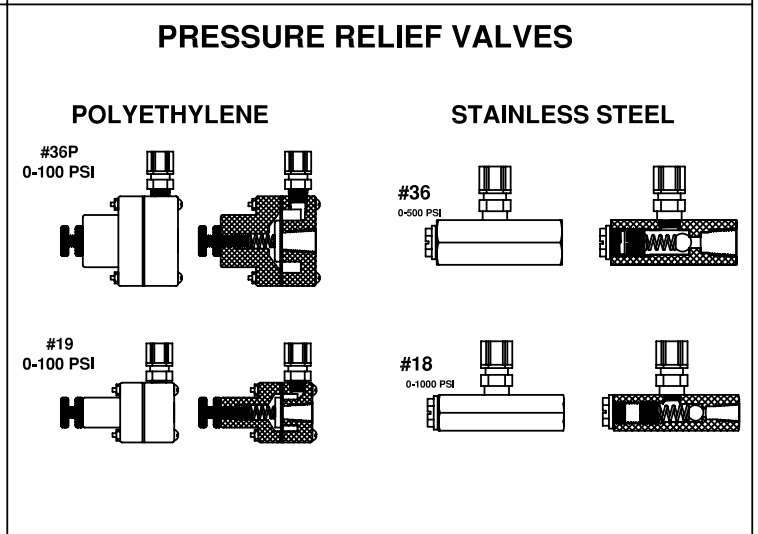
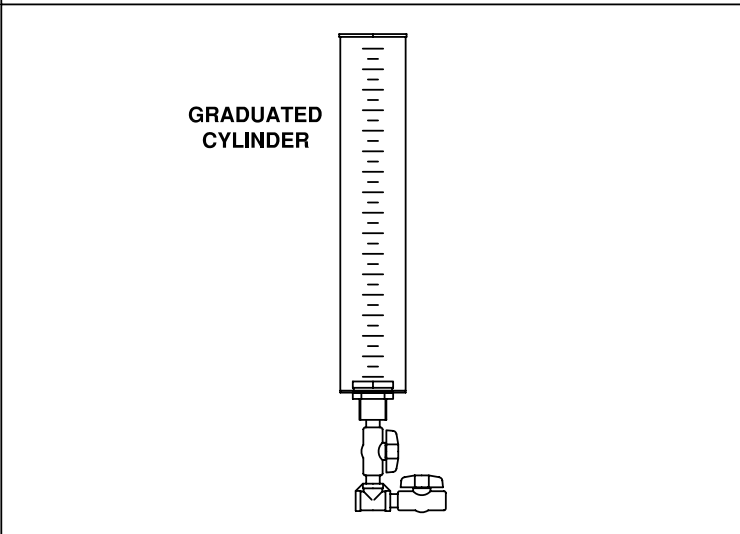
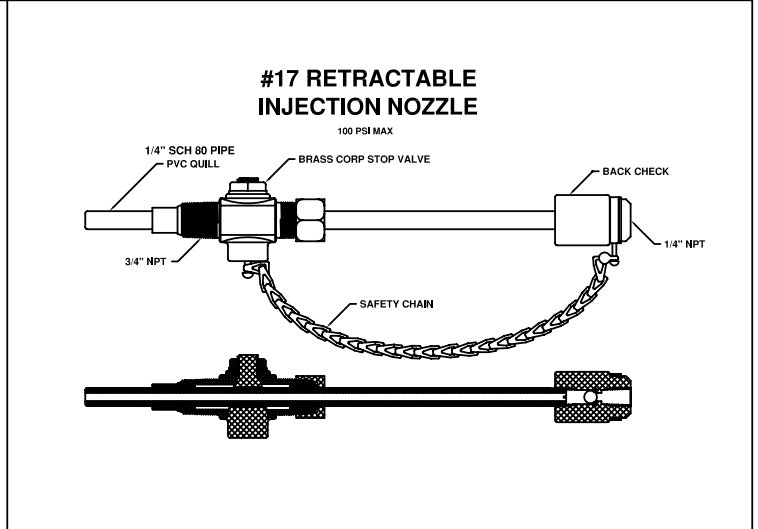
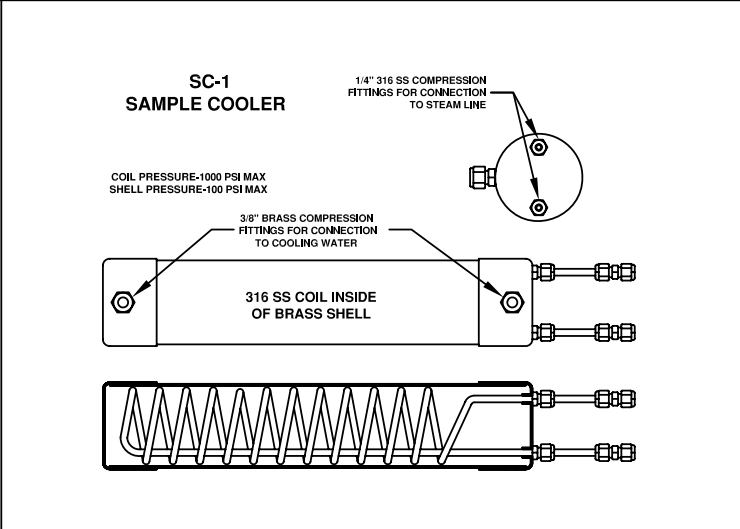
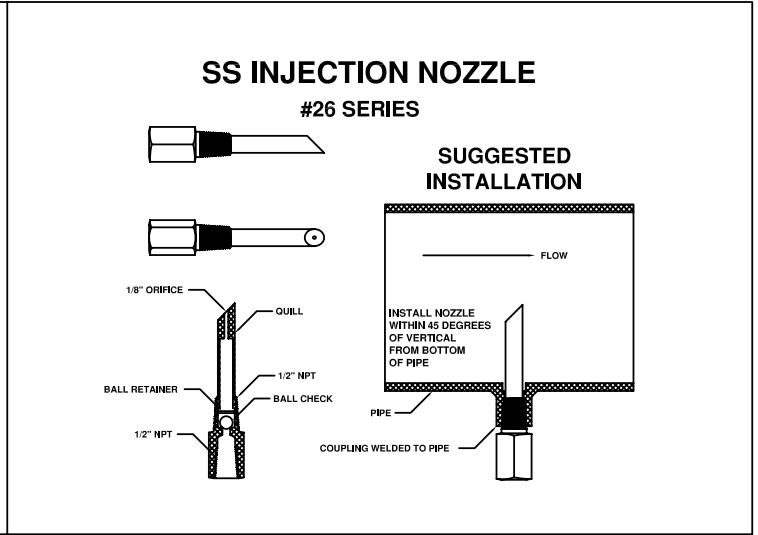
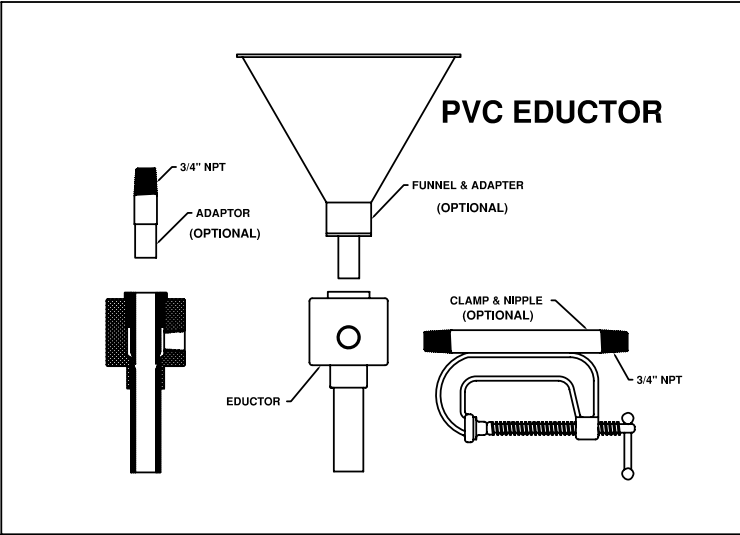
## V-10 VERTICAL



PISTON SIZE	A	B	C	D	E	F
1/4" THRU 5/8"	14"	2"	2"	6"	24"	1/4" NPT
1"	15"	2"	1/2"	8"	25"	1/2" NPT
1 1/2" & 2"	20"	7"	1/2"	8"	29"	1" NPT







## **WARRANTY ON EQUIPMENT SUPPLIED BY A&F MACHINE PRODUCTS COMPANY**

A&F Machine Products Company (A&F) warrants the components and workmanship of its products under normal use and service for a period of one year from date of shipment. All obligations and liabilities assumed under this warranty are limited to the repair or replacement, at our option, FOB A&F, of defective units that are returned. Improper use, application, or service voids all warranties. In any event, A&F shall not be liable for indirect or consequential damages arising out of the use of this equipment.

Warranty on equipment and accessories furnished by A&F, but not manufactured by A&F, shall be limited to the warranty of the respective equipment or accessory manufacturer for such units. In any event, A&F shall not be liable for indirect or consequential damages arising out of the provision or use of this equipment or accessory.

### **Shipping is FOB A&F Machine Products Co. in Berea, Ohio**

#### **FEDEX GROUND AND FEDEX AIR**

**MOST ORDERS LESS THAN 90# WILL BE SHIPPED VIA FEDEX GROUND, OR AIR IF SPECIFIED. WE DO NOT USE UPS. WE WILL SHIP PREPAY AND ADD UNLESS YOU SUPPLY A FEDEX ACCOUNT NUMBER. ORDERS OVER 90# WILL BE SHIPPED BY MOTOR FREIGHT.**

#### **MOTOR FREIGHT**

**ORDERS SHIPPED BY MOTOR FREIGHT ARE SHIPPED COLLECT OR BILLED TO A THIRD PARTY. PLEASE SPECIFY ON YOUR ORDER ANY PREFERENCE IN CARRIERS. ANY ORDER SHIPPED "PREPAID & ADD" WILL BE SUBJECT TO A \$30 HANDLING FEE.**

#### **EXPEDITE FEE**

**ALL PUMPS ARE CUSTOM BUILT PER ORDER. NORMALLY PUMP AND PACKAGED SYSTEM ORDERS ARE SHIPPED WITHIN 2 TO 3 DAYS AFTER RECEIPT OF THE ORDER. PUMP ORDERS REQUESTING SAME DAY OR NEXT DAY SHIPPING WILL BE HANDLED ON A FIRST COME FIRST SERVE BASIS AND WILL BE SUBJECT TO AN EXPEDITE FEE OF 25% OF THE INVOICE TOTAL. MOST PARTS ORDERS ARE SHIPPED FROM STOCK THE SAME DAY THEY ARE ORDERED. THERE IS A \$25 MINIMUM ON PARTS ORDERS.**

#### **RETURNS**

**EQUIPMENT THAT IS RETURNED FOR CREDIT IS SUBJECT TO INSPECTION BEFORE ANY CREDIT WILL BE ISSUED. GENERALLY, NEW AND UNUSED CATALOG ITEMS RECEIVED BACK AT A&F IN NEW AND UNUSED CONDITION IN IT'S ORIGINAL PACKAGING WILL BE SUBJECT TO A 20% RESTOCKING FEE. DAMAGED OR INCOMPLETE EQUIPMENT WILL BE CREDITED ACCORDINGLY. SPECIAL ORDER ITEMS OR ITEMS NOT LISTED IN THE CATALOG MAY NOT BE ELIGIBLE FOR CREDIT. ITEMS OR EQUIPMENT RETURNED FOR CREDIT MUST BE RETURNED FREIGHT PREPAID OR THEY WILL NOT BE ACCEPTED.**



[sales@novatech-usa.com](mailto:sales@novatech-usa.com)

[www.novatech-usa.com](http://www.novatech-usa.com)

Tel: (866) 433-6682

Fax: (866) 433-6684

Tel: (281) 359-8538

Fax: (281) 359-0084



*Customized Chemical Feed Systems*



*PPE*



*V-10 Vertical*

## *Custom Design & Fabrication*

**novatech**  
INTERNATIONAL

[sales@novatech-usa.com](mailto:sales@novatech-usa.com)

[www.novatech-usa.com](http://www.novatech-usa.com)

Tel: (866) 433-6682

Fax: (866) 433-6684

Tel: (281) 359-8538

Fax: (281) 359-0084