

NS-PLXPROTECT1 TRANSPARENT SAFETY SCREEN FOR CREATING A PROTECTED WORKSPACE

Neomounts offers a smart solution for the new way of working; the NS-PLXPROTECT series. Society has changed since the Covid-19 pandemic and measures are being taken to enable coworking as safely as possible in this 1.5/ 2-meter society.

The NS-PLXPROTECT products offer users additional protection from others, by increasing distance and creating a barrier in the workspace. The NS-PLXPROTECT1 (for 1 monitor) and the NS-PLXPROTECT2 (for 2 monitors) do not require fixing to the desk or ceiling – they can be easily attached to the existing desk mount, moving with the flat screen and the height-adjustable desk. The screen, unlike alternative solutions, does not take up extra space on the desk. In addition, the screen can be used as a memo board for your to do lists, using a whiteboard marker. The screens are very user-friendly, easy to install and easily cleaned. They are made of transparent acrylic that is 100% recyclable.

NS-PLXPROTECT1

The NS-PLXPROTECT1, for 1 flat screen up to 32" with VESA 100x100 mm, is 120 cm wide x 74 cm high and made of 100% transparent acrylic to ensure a spacious feeling and has rounded corners. The screen is equipped with 2 mounting points, so that it is adjustable in height relative to the monitor. Because the NS-PLXPROTECT1 is mounted between the flat screen and the desk mount, the screen moves with the monitor and sit-stand workstation when they are adjusted in height.

Dimensions: 1200x740x3 mm
Net weight: 3,16 kg

* Note: Take into account the maximum load capacity of the desk mount in combination with the weight of the NS-PLXPROTECT1 and the flat screen.



PLXPROTECT by Neomounts is registered as EU-Design patent



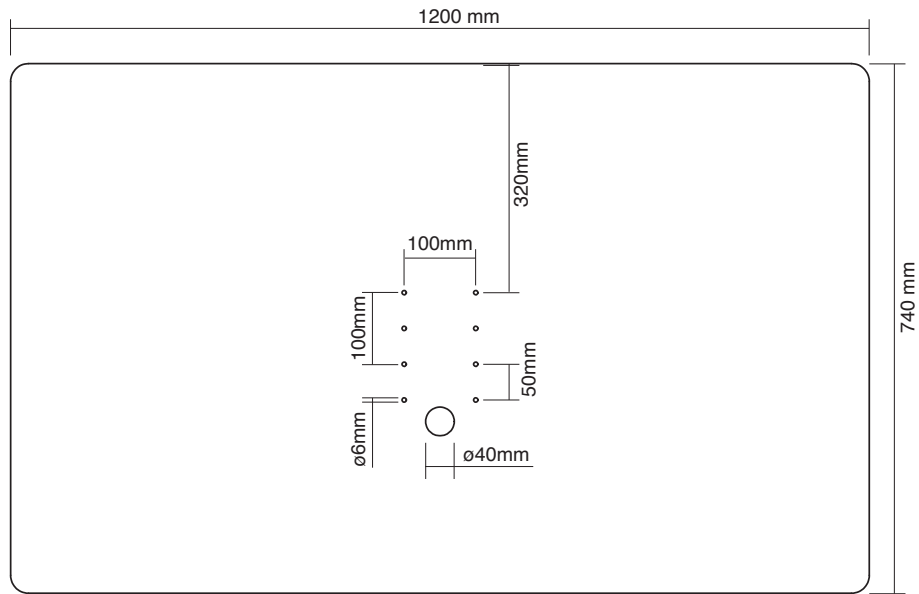
NS-PLXPROTECT1

ALSO AVAILABLE FOR 2 SCREENS

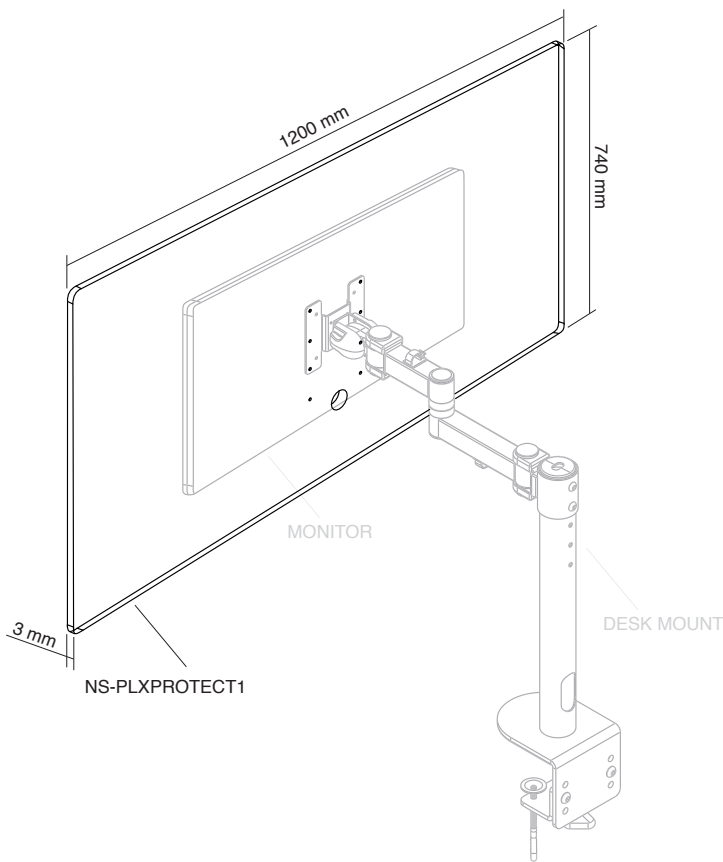
NS-PLXPROTECT2



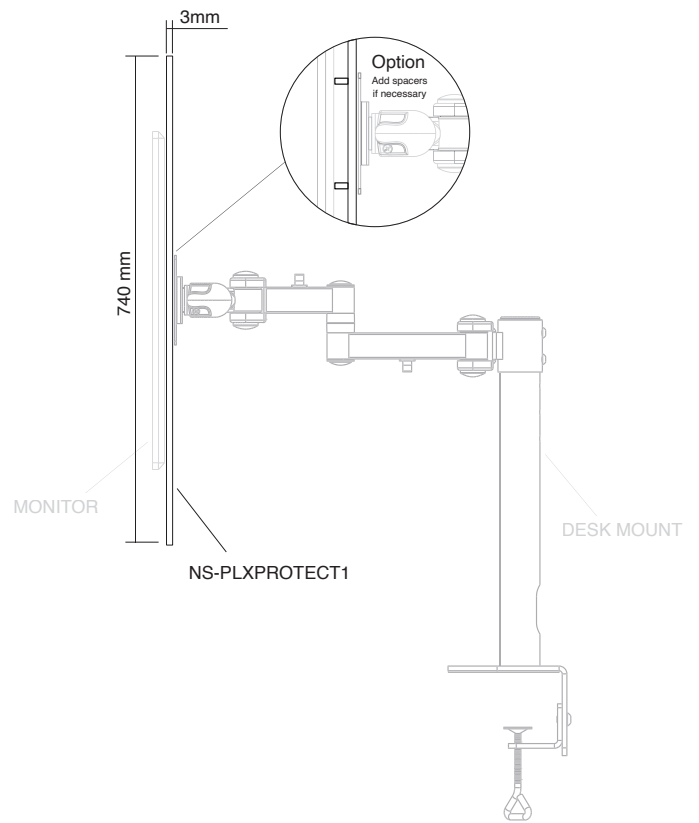
NS-PLXPROTECT1 TRANSPARENT SAFETY SCREEN



NS-PLXPROTECT1



Side back view



Side view



NS-PLXPROTECT2

TRANSPARENT SAFETY SCREEN FOR CREATING A PROTECTED WORKSPACE

Neomounts offers a smart solution for the new way of working; the NS-PLXPROTECT series. Society has changed since the Covid-19 pandemic and measures are being taken to enable coworking as safely as possible in this 1.5/ 2-meter society.

The NS-PLXPROTECT products offer users additional protection from others, by increasing distance and creating a barrier in the workspace. The NS-PLXPROTECT1 (for 1 monitor) and the NS-PLXPROTECT2 (for 2 monitors) do not require fixing to the desk or ceiling – they can be easily attached to the existing desk mount, moving with the flat screen and the height-adjustable desk. The screen, unlike alternative solutions, does not take up extra space on the desk. In addition, the screen can be used as a memo board for you to do lists, using a whiteboard marker. The screens are very user-friendly, easy to install and easily cleaned. They are made of transparent acrylic that is 100% recyclable.

NS-PLXPROTECT2

The NS-PLXPROTECT2, for 2 flat screens between 22" and 27", is 140 cm wide x 74 cm high and has slots for a VESA-hole pattern of 100x100 mm. The screen is made of 100% transparent acrylic to ensure a spacious feeling and has rounded corners. The screen is equipped with 2 mounting points, so that it is adjustable in height relative to the monitors. Because the NS-PLXPROTECT2 is mounted between the flat screens and the desk mount, the screen moves with the monitors and sit-stand workstation when they are adjusted in height. The flat screens can also be adjusted horizontally towards each other for optimal adjustment. The NS-PLXPROTECT2 can be mounted on 2 separate arms, gas-sprung arms, a crossbar and/ or a double monitor arm.

Dimensions: 1400x740x3 mm
 Net weight: 3,63 kg



* Note: Take into account the maximum load capacity of the desk mount in combination with the weight of the NS-PLXPROTECT2 and the flat screen.

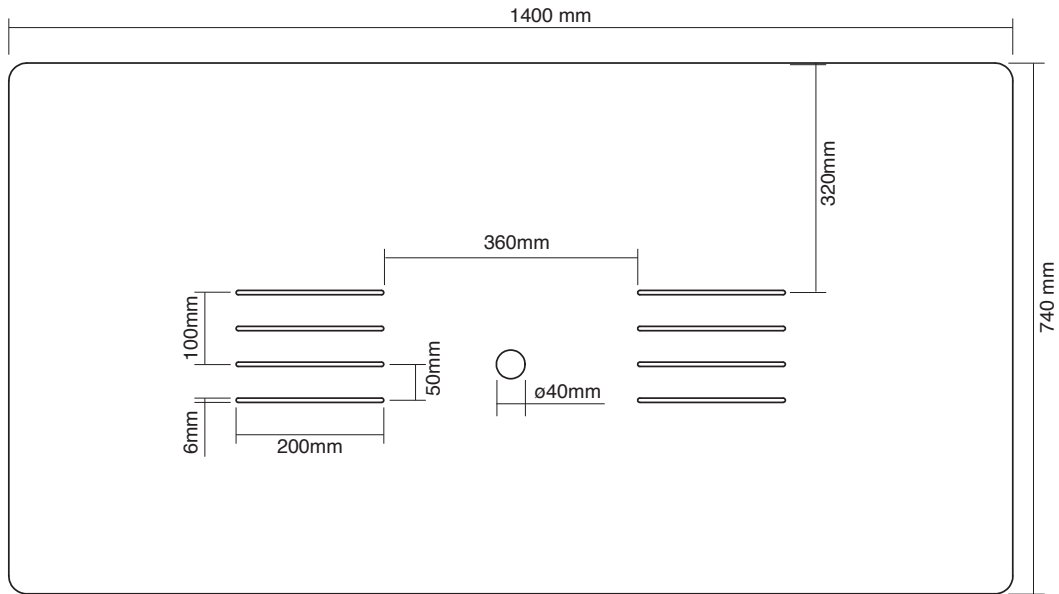
 max. 27"	 3,63 kg	 100x100 mm	 74 cm	 140 cm	 8717371448226
--	---	--	---	---	---



NS-PLXPROTECT2
 ALSO AVAILABLE FOR 1 SCREEN
NS-PLXPROTECT1



NS-PLXPROTECT2 TRANSPARENT SAFETY SCREEN



NS-PLXPROTECT2

