

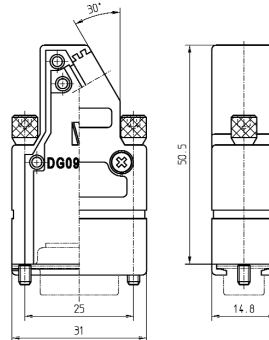
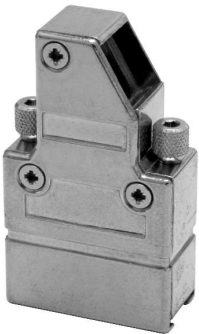
Vertically extended hoods with jack screw locking system – Overall height max. 55mm

- EMI / RFI shielding all metal hoods made of die-cast zinc
- Jack screw locking system recommended for applications under vibration conditions
- Large dimensioned space inside the hoods gives a large area for the use of mixed connectors, built in electronic circuitries etc.
- Hoods with 2 or 3 cable openings permit a free selection of the cable input, or to make in / out parallel connections
- Unused cable openings will be EMI / RFI protected by insertion of included metal plugs
- For the best EMI / RFI protection, high cable retention force and rapid assembly, **Inotec** recommends its outstanding crimp flange system
- As an alternative, cable retention may be performed by available die-cast zinc cable clamps
- Accessories: see page 36 foll.

DG09MS-2

for standard 9 way or 15 way HD D-Sub

Dimensions in mm


Hood assembly consists of:

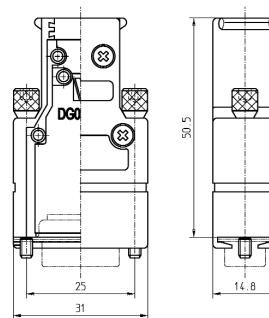
- 1 Metal hood with cover
- 2 Jack screws 4-40 UNC¹⁾
- 1 Screw M2,5x4,5 for grounding post*
- 3 Cover screws M2,5x7*

*Screws with self forming thread

¹⁾ Jack screws can also be delivered with metric thread **M3**.
Part No. DG09MS-2-3
DG09MS-4

for standard 9 way or 15 way HD D-Sub

Dimensions in mm


Hood assembly consists of:

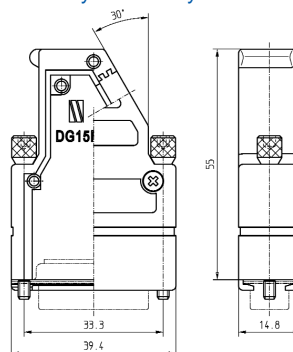
- 1 Metal hood with cover
- 2 Jack screws 4-40 UNC¹⁾
- 1 Screw M2,5x4,5 for grounding post*
- 4 Cover screws M2,5x7*

*Screws with self forming thread

¹⁾ Jack screws can also be delivered with metric thread **M3**.
Part No. DG09MS-4-3
DG15MS-2

for standard 15 way or 26 way HD D-Sub

Dimensions in mm


Hood assembly consists of:

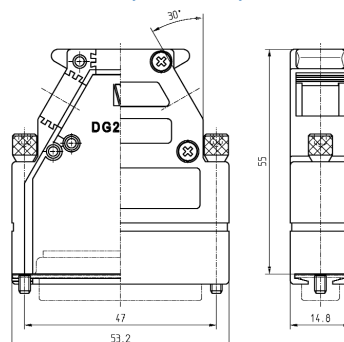
- 1 Metal hood with cover
- 2 Jack screws 4-40 UNC¹⁾
- 1 Screw M2,5x4,5 for grounding post*
- 3 Cover screws M2,5x7*

*Screws with self forming thread

¹⁾ Jack screws can also be delivered with metric thread **M3**.
Part No. DG15MS-2-3
DG25MS-2

for standard 25 way or 44 way HD D-Sub

Dimensions in mm


Hood assembly consists of:

- 1 Metal hood with cover
- 2 Metal plugs
- 2 Jack screws 4-40 UNC¹⁾
- 1 Screw M2,5x4,5 for grounding post*
- 4 Cover screws M2,5x7*

*Screws with self forming thread

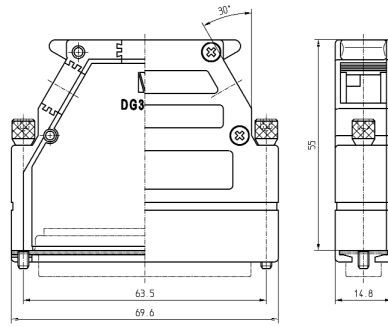
¹⁾ Jack screws can also be delivered with metric thread **M3**.
Part No. DG25MS-2-3

Vertically extended hoods with jack screw locking system – Overall height max. 57mm

DG37MS-2

for standard 37 way or 62 way HD D-Sub

Dimensions in mm

**Hood assembly consists of:**

- 1 Metal hood with cover
- 2 Metal plugs
- 2 Jack screws 4-40 UNC¹⁾
- 1 Screw M2,5x4,5 for grounding post*
- 4 Cover screws M2,5x7*

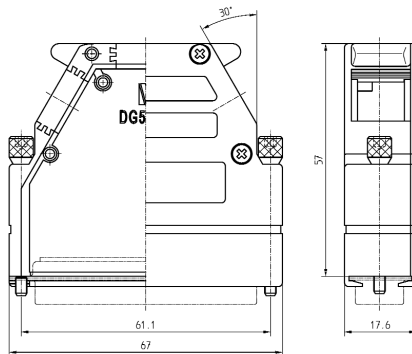
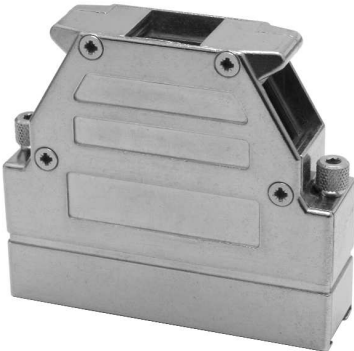
*Screws with self forming thread

¹⁾ Jack screws can also be delivered with metric thread **M3**.
Part No. DG37MS-2-3

DG50MS-2

for standard 50 way or 78 way HD D-Sub

Dimensions in mm

**Hood assembly consists of:**

- 1 Metal hood with cover
- 2 Metal plugs
- 2 Jack screws 4-40 UNC¹⁾
- 1 Screw M2,5x4,5 for grounding post*
- 4 Cover screws M2,5x7*

*Screws with self forming thread

¹⁾ Jack screws can also be delivered with metric thread **M3**.
Part No. DG50MS-2-3

Technical information and applications

The **MS-2** series was developed by **Inotec** for this type of applications requiring a large interior area such as mixed connectors with coaxial, high-current, high-voltage inserts or flat cable connectors. Because the construction of this type of link-up systems requires a greater insertion depth, the **MS-2** series has been extended 15mm beyond that of the **MS** series.

The overall concept of the **MS** series was none the less maintained. Furthermore the relatively large interior area contains a row of extra application possibilities which cannot be implemented with standard hoods, as for example the insertion of filter arrays, electronic circuits with cable terminals or for applications as complex program plugs etc.

