



## APPLICATIONS

Refrigeration, Commercial HVAC, VRV, VRF, Multi-mini Split, and Sub-critical Applications.

# NBV-S Refrigeration Ball Valve (with Schrader)

NDL ball valves perform unlike any other in its class for leak prevention, reliability, and superior field performance.



## Specifications

### Heavy-duty Full Port Valves

Built to last with 900 PSIG working pressure on sizes up to 7/8".

### Teflon Seals and Seats

Reduce service calls, refrigerant loss, and environmental contamination with our cone-shaped 100% virgin Teflon seals and seats that will not shrink or leak, eliminating seal replacement during changeovers.

### Bottom-Up Stem Installation

Our stem placement is engineered from the bottom up. If there is an accidental over-pressurization in the valve, it will not blow the stem out and lose the charge. Plus, using the virgin Teflon seals ensures no need for seal replacement.

### Two-Piece Cap Nut

No need to remove the cap during installation or service. Loosen the nut, turn 1/4 of the stem cap, and open the valve fully; close by turning 1/4 again. Tighten the nut, and the job is complete.

### Oven-brazed Construction

Joined together with a smooth and equal brazing process to prevent pinhole leaks.

### Quality Tested

Tested with 95% nitrogen and 5% hydrogen solution at 450 PSIG to detect and correct any leaks before leaving the factory.

### Unparalleled Two-year Warranty

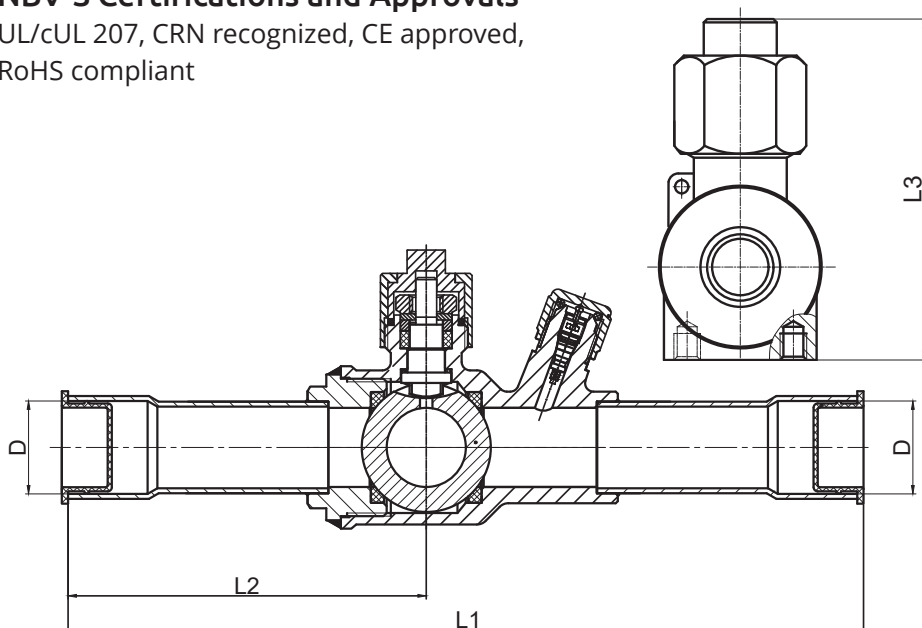
Our warranty proves confidence, along with proudly stamping every valve with a serial number and cleanly packaging in a poly-bag to prevent contamination and malfunctions.



# NBV-S Full Port Ball Valves with Schrader

## NBV-S Certifications and Approvals

UL/cUL 207, CRN recognized, CE approved, RoHS compliant



## NBV-IN Insulation

EPDM-based, closed cell, light-weight elastomeric thermal insulation for temperatures up to 150°C (302°F).

- Tough skin for easy installation
- Self-extinguished and does not melt when burned
- Indoor and outdoor use
- NBV-IN-S: compatible with 1/4" to 5/8" ball valves with Schrader
- NBV-IN-M: compatible with 3/4" to 7/8" ball valves with Schrader

## NBV-S Dimensions

Model	SIZE	MAX. WORKING PRESSURE		D		L1		L2		L3		Weight	
		PSI	BAR	in	mm	in	mm	in	mm	in	mm	lbs	mm
NBV02S	1/4"	900	62	0.25	6.40	4.96	126.00	2.09	53.00	2.02	51.30	0.463	0.210
NBV03S	3/8"	900	62	0.38	9.58	4.96	126.00	2.09	53.00	2.02	51.30	0.481	0.218
NBV04S	1/2"	900	62	0.50	12.75	5.02	127.50	2.13	54.00	2.02	51.30	0.481	0.218
NBV05S	5/8"	900	62	0.63	15.93	5.91	150.00	2.57	65.30	2.30	58.40	0.728	0.330
NBV06S	3/4"	900	62	0.75	19.10	6.46	164.00	2.91	74.00	2.60	66.00	1.113	0.505
NBV07S	7/8"	900	62	0.88	22.28	7.46	189.50	3.39	86.00	2.60	66.00	1.202	0.545
NBV09S	1-1/8"	700	48	1.13	28.65	8.23	209.00	3.82	97.00	3.27	83.00	1.900	0.870
NBV11S	1-3/8"	700	48	1.38	35.00	9.00	228.60	4.29	109.00	3.88	98.50	3.100	1.405
NBV13S	1-5/8"	700	48	1.63	41.35	9.50	241.30	4.53	115.00	4.43	112.50	5.104	2.315
NBV17S	2-1/8"	700	48	2.13	54.05	10.50	266.70	5.16	131.00	5.18	131.60	8.741	3.965
NBV21S	2-5/8"	650	45	2.63	66.75	14.96	380.00	7.24	184.00	6.02	153.00	14.310	6.490
NBV25S	3-1/8"	650	45	3.13	79.45	16.14	410.00	7.80	198.00	6.83	173.40	21.034	9.540
NBV33S	4-1/8"	450	31	4.13	104.85	17.72	450.00	8.70	221.00	8.18	207.80	36.732	16.660