



Operating Manual
MGS-550
Fixed Gas Detector



Order No.: H1100-1000/01
Print Spec: 10000005389 (R)
CR: 800000058146

⚠ WARNING!

These instructions must be provided to users before use of the product and retained for ready reference by the user. Read this manual carefully before using or maintaining the device. The device will perform as designed only if it is used and maintained in accordance with the manufacturer's instructions. Otherwise, it could fail to perform as designed, and persons who rely on this device could sustain serious injury or death.

The warranties made by MSA with respect to the product are voided if the product is not installed and used in accordance with the instructions in this manual. Please protect yourself and your employees by following the instructions.

Please read and observe the WARNINGS and CAUTIONS inside. For additional information relative to use or repair, call 1-800-MSA-2222 during regular working hours.

For countries of Russian Federation, Republic of Kazakhstan and Republic of Belarus, the gas detector will be delivered with a passport document that includes valid approval information. On the CD with manual instruction attached to the gas detector the user will find the documents "Type Description" and "Test Method" - appendixes to Pattern Approval Certificate of Measuring instrument, valid in the countries of use.

MSA is a registered trademark of MSA Technology, LLC in the US, Europe and other Countries. For all other trademarks visit <https://us.msasafety.com/Trademarks>.



The Safety Company

1000 Cranberry Woods Drive
Cranberry Township, PA 16066
USA
Phone: 1-800-MSA-2222
Fax: 1-800-967-0398

For your local MSA contacts, please go to our website www.MSAafety.com

WARRANTY POLICY

MSA Bacharach warrants this instrument, excluding sensors, to be free from defects in materials and workmanship for a period of two years from the date of purchase by the original owner. The sensors have a pro-rated warranty period of 6 to 18 months, depending on the sensor type. If the product should become defective within this warranty period, we will repair or replace it at our discretion.

The warranty status may be affected if the instrument has not been used and maintained per the instructions in this manual or has been abused, damaged, or modified in any way. This instrument is only to be used for purposes stated herein. The manufacturer is not liable for auxiliary interfaced equipment or consequential damage.

Due to ongoing research, development, and product testing, the manufacturer reserves the right to change specifications without notice. The information contained herein is based on data considered accurate. However, no warranty is expressed or implied regarding the accuracy of this data.

All goods must be shipped to the manufacturer by prepaid freight. All returned goods must be pre-authorized by obtaining a return merchandise authorization (RMA) number. Contact the manufacturer for a number and procedures required for product transport.

SERVICE POLICY

MSA Bacharach maintains an instrument service facility at the factory. Some MSA Bacharach distributors/agents may also have repair facilities; however, MSA Bacharach assumes no liability for service performed by anyone other than MSA Bacharach personnel. Repairs are warranted for 90 days after date of shipment (sensors, pumps, filters and batteries have individual warranties). Should your instrument require non-warranty repair, you may contact the distributor from whom it was purchased or you may contact MSA Bacharach directly.

If MSA Bacharach is to do the repair work, send the instrument, prepaid, to the closest Service Center.

Service Location	Service Contact Information	Service Shipping Address
United States	http://mybacharach.com/rmaform/ Phone: +1 724 334 5000 Toll Free: 1 800 736 4666 Fax: +1 724 334 5001 Email: help@MyBacharach.com	MSA Bacharach 621 Hunt Valley Circle New Kensington, PA 15068, USA ATTN: Service Department
Canada	Phone: (780) 483-0988 Email: support@BachCan.ca	MSA Edmonton Repair Service 12130 – 154th Street Edmonton, Alberta T5V 1J2

Always include your RMA #, address, telephone number, contact name, shipping/billing information and a description of the defect as you perceive it. You will be contacted with a cost estimate for expected repairs prior to the performance of any service work. For liability reasons, MSA Bacharach has a policy of performing all needed repairs to restore the instrument to full operating condition.

Prior to shipping equipment to MSA Bacharach, contact our office for an RMA # (returned merchandise authorization). All returned goods must be accompanied with an RMA number.

Pack the equipment well (in its original packing if possible), as MSA Bacharach cannot be held responsible for any damage incurred during shipping to our facility.

NOTICES

This manual is subject to copyright protection; all rights are reserved under international and domestic copyright laws. This manual may not be copied or translated, in whole or in part, in any manner or format, without the written permission of MSA Bacharach, Inc.

All software utilized and/or distributed by MSA Bacharach is subject to copyright protection. All rights are reserved. No party may use or copy such software in any manner or format, except to the extent that MSA Bacharach grants them a license to do so. If this software is being loaded onto more than one computer, extra software licenses must be purchased.

Contents

1	Safety	5
1.1	General Safety Statements	5
1.2	Safe Connection of Electrical Devices	5
2	Description	5
2.1	Product Overview	5
2.2	Key Product Features	6
2.3	General Overview	7
2.4	Sensor Styles	8
3	Installation	8
3.1	General Information for Installation	8
3.2	Installation Restrictions	9
3.3	Mechanical Installation	9
3.4	Electrical Installation	9
4	Operation	15
4.1	Overview of Normal Operation	15
4.2	Menus	19
4.3	Functions	22
4.4	Parameters	25
5	Maintenance	31
5.1	Maintenance Intervals	31
5.2	Making Adjustments to Sensors	31
5.3	Troubleshooting	34
5.4	Sensor Maintenance	39
5.5	Replacing the Instrument Electronics	44
5.6	Replacing the Interface Board	45
5.7	Cleaning the Instrument	45
6	Factory Default Settings	46
7	Sensor Principle	47
7.1	Electrochemical Sensors	47
7.2	Catalytic Bead Sensors	47
7.3	Semiconductor Sensors	48
7.4	Infrared Sensors	48
8	Disposing of the Instrument	48
8.1	Disposing of Electrical and Electronic Equipment	48
8.2	Disposing of Electrochemical Sensors	49
9	Technical Data	49
9.1	General Specifications	49
9.2	Sensor Specifications	50
9.3	Modbus Registers	51
10	Ordering Information	57
10.1	MGS-550 Instrument Only	57
10.2	MGS-550 Gas Detector, IP66 with IP66 Sensor	57
10.3	MGS-550 5m Remote and Second Sensing Heads	59
10.4	MGS-550 Replacement Parts and Accessories	60

1 Safety

1.1 General Safety Statements

WARNING!

- Before using this product, carefully read and strictly follow the instructions in the manual.
- Use the product only for the purposes specified in this document and under the conditions listed.
- Ensure that product documentation is retained, made available, and appropriately used by anyone operating the product.
- Comply with all local and national laws, rules, and regulations associated with this product.
- Only trained and competent personnel may use this product.
- Only trained and competent personnel may inspect, repair and maintain the product as detailed in this manual. Maintenance that is not detailed in this manual must be completed by MSA Bacharach or personnel qualified by MSA Bacharach.
- Use only genuine MSA Bacharach spare parts and accessories. Otherwise, operation may be impaired.
- Only operate the product within the framework of a risk-based alarm signaling concept.

Failure to follow these warnings can result in serious personal injury or death.

1.2 Safe Connection of Electrical Devices

WARNING!

Before connecting this instrument to electrical devices not mentioned in this manual, consult the manufacturer or a qualified professional.

Failure to follow this warning can result in serious personal injury or death.

2 Description

2.1 Product Overview

The MSA Bacharach MGS-550 continuously monitors indoor or outdoor ambient air for the following gases:

- toxic and combustible gases
- oxygen
- refrigerants.

The instrument is housed in a rugged ABS enclosure (general purpose or “GP” housing).

The instrument can be connected to a MSA Bacharach MGS-408 controller or a Programmable Logic Controller (PLC). With the integrated alarm relays, the instrument can be operated as a stand-alone unit (with additional local alarm signaling). The instrument is designed to be installed in non-classified, non-hazardous, permanent locations.



⚠ WARNING!

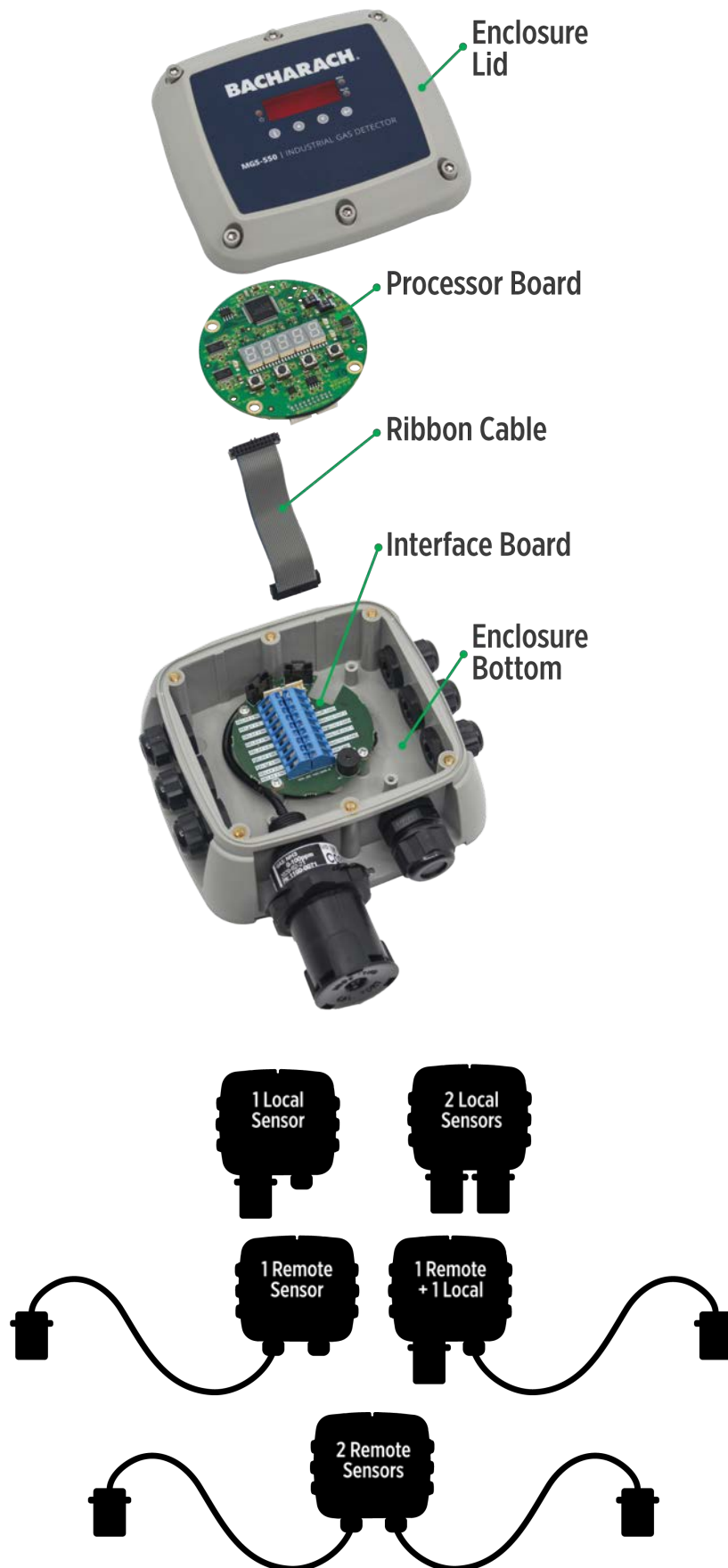
- Danger of explosions. This product is neither certified nor approved to be operated in oxygen-enriched atmospheres.
- The device is NOT intended to be used in areas classified as hazardous.

Failure to follow these warnings can result in serious personal injury or death.

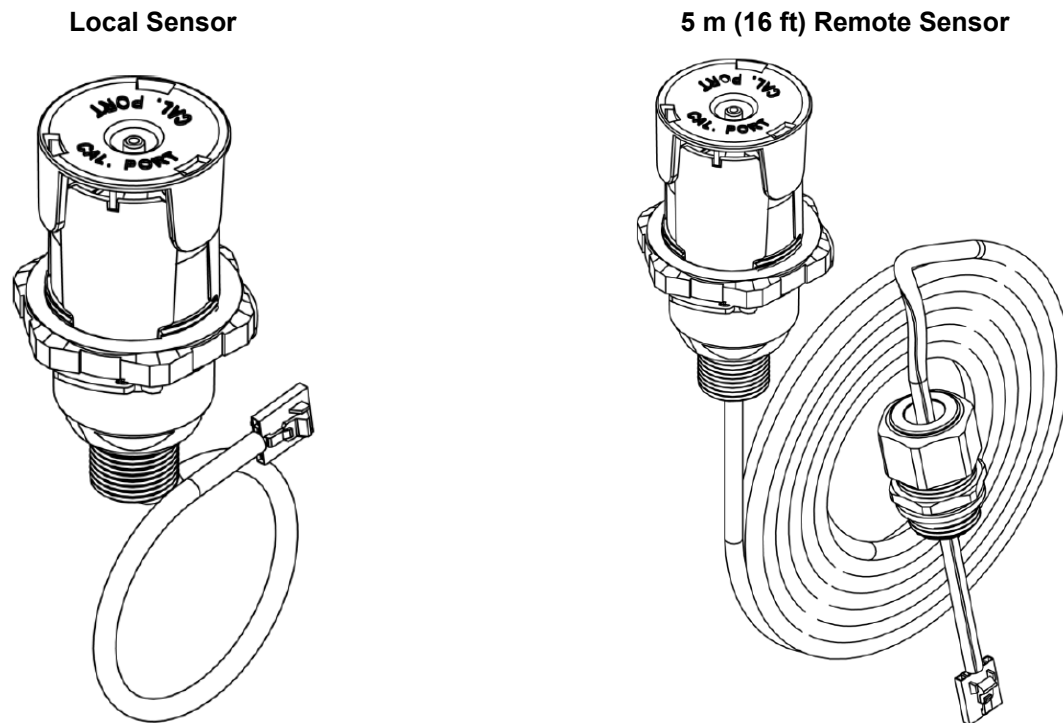
2.2 Key Product Features

- Enclosure options—General-purpose (GP): ABS plastic housing (rectangular)
- Power options (refer to section [9.1 General Specifications](#)):
 - 24 VAC
 - 19.5 to 28.5 VDC
- Multi-function, 5-digit LED display
 - gas concentrations
 - status messages
 - menu choices
- Diagnostic/status LEDs (3)
- Digital output Modbus RTU signal
- Independently configurable analog outputs (2) (based on measured gas concentration)
 - Analog output 4 to 20 mA
 - Analog output 0 to 5 V
 - Analog output 0 to 10 V
 - Analog output 1 to 5 V
 - Analog output 2 to 10 V
- Redundant sensor mapping option (one sensor can be mapped to both analog outputs)
- Menu navigation options:
 - Tactile switches on the front cover
 - Non-intrusive magnetic wand on the front cover
- Non-intrusive magnetic wand can be used to configure, calibrate, and maintain the device

2.3 General Overview



2.4 Sensor Styles



3 Installation

3.1 General Information for Installation

Every detail of installation site selection is critical to ensure overall system performance and effectiveness. Strict compliance and considerable thought must be given to every detail of the installation process, including, but not limited to the following:

- Regulations as well as local, state, and national codes that govern the installation of gas monitoring equipment
- Electrical codes that govern the routing and connection of electrical power and signal cables to gas monitoring equipment
- The full range of environmental conditions to which the instruments will be exposed
- The physical characteristics of the gas or vapor to be detected
- The specifics of the application (e.g., possible leaks, air movement/draft, etc.)
- The degree of accessibility required for maintenance purposes
- The types of optional equipment and accessories that will be used with the system
- Any limiting factors or regulations that would affect system performance or installations
- Wiring details, including the following:
 - The general purpose enclosure provides six M16 entry points, which can be used for field wiring, direct attachment of a sensor, or wiring of a remote sensor.
 - Unused openings must be closed with a suitable plug and gasket, maintaining the IP rating.
 - Secondary circuit must be supplied from an isolating source (not applicable for relay circuits).
 - The wiring for the relays must be selected and fused according to the rated voltages, currents, and environmental conditions.
 - If stranded conductors are used, a ferrule should be used.
 - To improve RFI immunity in extreme environments, it might be necessary to ground the shield of the communications cable at the PLC, front-end controller, or Building Management System (e.g., the chassis, the ground bus-bar, etc.).

3.2 Installation Restrictions

The installation location must have appropriate supply power available for the instrument (i.e., 19.5 to 28.5 VDC or 24 VAC). Refer to Section 9 [Technical Data](#). This ultimately determines the distance the instrument can be mounted from the controller or power supply.

WARNING!

The MGS-550 must be powered by either:

- a suitable UL/CSA/IEC 60950 certified power supply that is isolated from line voltage by double insulation, or
- an appropriately rated UL listed/CSA/IEC Class 2 transformer.

Failure to follow this warning can result in serious personal injury or death.

- The instrument accepts wire sizes of 16 AWG (1.5 mm²) to 20 AWG (0.5 mm²).
- Depending on the configuration, use at least a shielded, multi-conductor cable.
- The instrument must not be exposed to radiant heat that will cause the temperature to rise beyond the limits stated in Section 9 [Technical Data](#). The use of a reflecting shield is recommended.
- The enclosure is weatherproof within environmental specifications and suitable for outdoor installation.
- Each instrument must be installed and operated in an environment that conforms to the specifications listed in Section 9 [Technical Data](#).

3.3 Mechanical Installation

- Select a mounting location that is accessible for maintenance and adjustment.
- Ensure that any targeted gas or vapor has unobstructed access to the sensor.
- Consider implications of the future use of accessories and maintenance equipment.
- Ensure that the mounting surface is flat and plumb.
- Ensure that any installed sensor is pointing downwards.
- MSA Bacharach recommends using M5 bolts (or smaller) with hex socket caps to mount the device.

3.4 Electrical Installation

3.4.1 Preparations

WARNING!

- Ensure wiring for relays and connections for sensor(s) are made before applying power.
- This product uses semiconductors which can be damaged by electrostatic discharge (ESD). When handling the printed circuit boards (PCBs), observe proper ESD precautions so that the electronics are not damaged.

Failure to follow these warnings can result in serious personal injury or death.

NOTE: For unused 4 to 20 mA analog outputs, ensure that a jumper (pin 3 to 4 and pin 5 to 6) is installed. Otherwise, a fault may be displayed if the wiring does not match the configuration. The analog outputs are designed as sources.



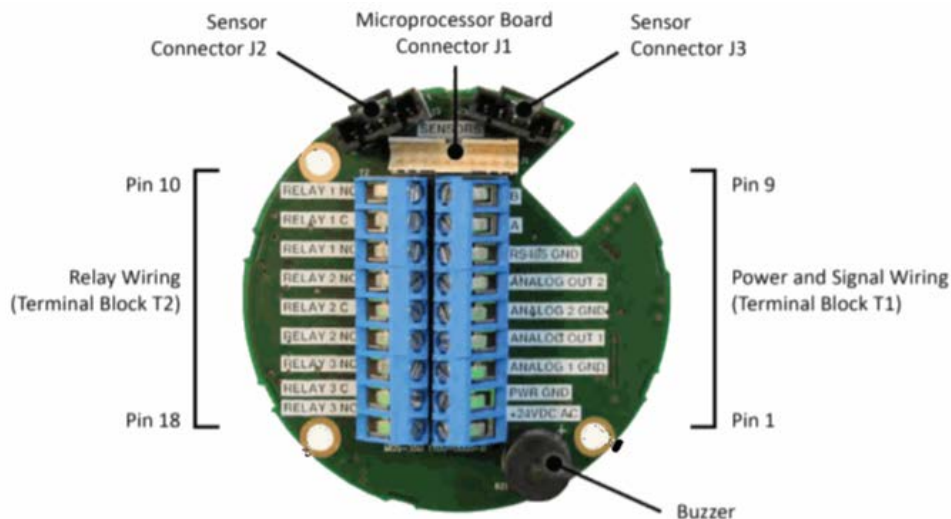
- Open the enclosure lid. Loosen six (6) screws using an M5 hex key and remove the lid from the base.



- Disconnect the ribbon cable from the processor board on the lid. Set the lid aside and continue to wiring procedure.

3.4.2 Power and Signal Wiring

- Using appropriate cable glands and/or conduit, connect the wires for power and signal to the appropriate terminal as indicated in the figure and wiring table that follow.
- Polarity must not be reversed.
- For 24 VAC installations in a daisy-chain configuration, the neutral polarity must be maintained for all instruments.
- Fasten terminal screws.



Connection	Description	Pin	Label	Wiring Termination
Power	24 VAC	1	+24 VDC/AC	24 VAC line
		2	PWR GND	24 VAC neutral
	24 VDC	1	+24 VDC/AC	24 VDC positive
		2	PWR GND	24 VDC ground
Analog Output	Analog Output 1*	3	ANALOG 1 GND	Analog output 1 ground
		4	ANALOG OUT 1	Analog output 1 signal (+)
	Analog Output 2*	5	ANALOG 2 GND	Analog output 2 ground
		6	ANALOG OUT 2	Analog output 2 signal (+)
Digital Output	Modbus Network Communications	7	RS-485 GND	RS-485 shield
		8	A	RS-485 "A" (non-inverted)
		9	B	RS-485 "B" (inverted)

* For 3-wire, single-sensor DC installations: connect pins 1 and 2 of 24 VDC, and connect pin 4 to the analog input of the control system. For 4-wire, dual-sensor DC installations: connect pins 1 and 2 of 24 VDC, connect pin 4 to one analog input of the control system, and connect pin 5 to another input of the control system.

- If central monitoring or a PLC is used, connect the signal cable shielding at the controller only.
- If an analog output is unused and configured as a 4 to 20 mA output, then the corresponding output connectors must be shorted or jumpered, otherwise a fault will occur. For unused analog output 1 configured as a 4 to 20 mA output, wire pin 3 to pin 4. For unused analog output 2 configured as a 4 to 20 mA output, wire pin 5 to pin 6. These jumper wires are installed at the factory, but should be removed for voltage outputs or if connections are made to the analog outputs.

3.4.3 Relay Wiring

⚠ WARNING!

At voltages > 30 VAC or > 42.2 VDC, the relay cables must be enclosed in protective conduit, or double-insulated cables must be used.

Failure to follow this warning can result in serious personal injury or death.

3 Installation

- Using appropriate cable glands and/or conduit, connect the wires for relay 1, relay 2, and relay 3 to the terminals (see previous wiring figure) as indicated in the following wiring table. (Note that any one of 6 alarms or 3 fault types may be mapped to any relay.)

Function	Pin	Label	Wiring Termination
Relay 1 Output	10	RELAY 1 NC	Relay 1 NC contact
	11	RELAY 1 C	Relay 1 common contact
	12	RELAY 1 NO	Relay 1 NO contact
Relay 2 Output	13	RELAY 2 NC	Relay 2 NC contact
	14	RELAY 2 C	Relay 2 common contact
	15	RELAY 2 NO	Relay 2 NO contact
Relay 3 Output	16	RELAY 3 NC	Relay 3 NC contact
	17	RELAY 3 C	Relay 3 common contact
	18	RELAY 3 NO	Relay 3 NO contact

To change relay designations, see section [4.4.2 Relay Designation \(RX-xx\)](#). For default values, see section [6 Factory Default Settings](#).

When configured according to the factory default settings, the relays are de-energized during normal operation (not failsafe). Fail-safe mode can be configured and relay operation is opposite of the wiring table. See section [4.4.2 Relay Designation \(RX-xx\)](#). The terminal designators in the wiring table show factory defaults in normal operation (not failsafe) mode with the relays de-energized.

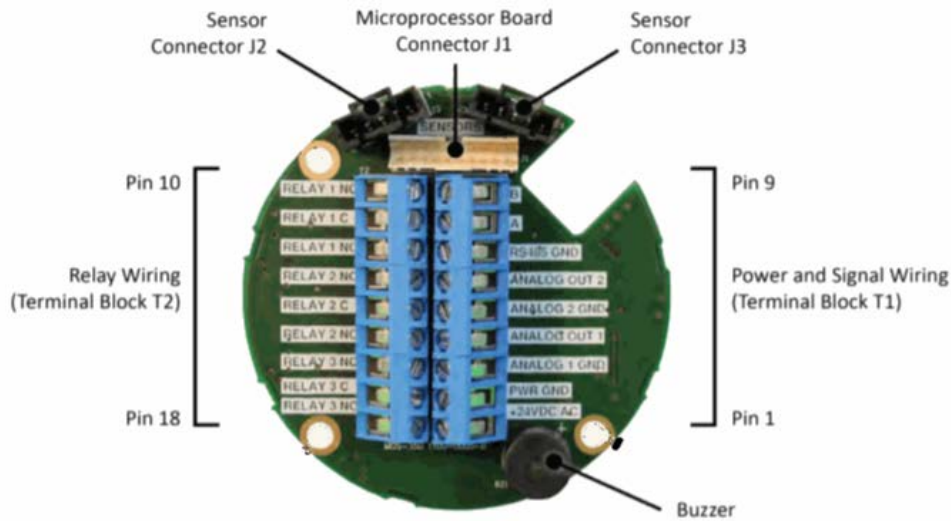
NOTE: To ensure that a fault is easily “recognized” (that is, without needing to look directly at the instrument’s display), one relay should be designated for instrument faults and an alarm device should be connected to the fault relay.

3.4.4 Install Remote Sensing Head

- Remove a blind-plug from the enclosure (if applicable).
- Feed the connector of the sensor (see below, left) through a cable gland or conduit (if applicable), through the opening of the enclosure, and then into the enclosure.
- Secure the cable gland (with attached gasket) or appropriate conduit into the housing in order to maintain IP rating.



- Plug the sensor connector into the socket until the lock engages. For a new instrument with no sensor connected, it does not matter which socket is used first. However, if a sensor is already connected, then it should be left plugged into its socket.
- If two remote sensors are to be installed, register only one sensor at a time. Refer to section [4.3.6 Register Sensor \(F-06\)](#).

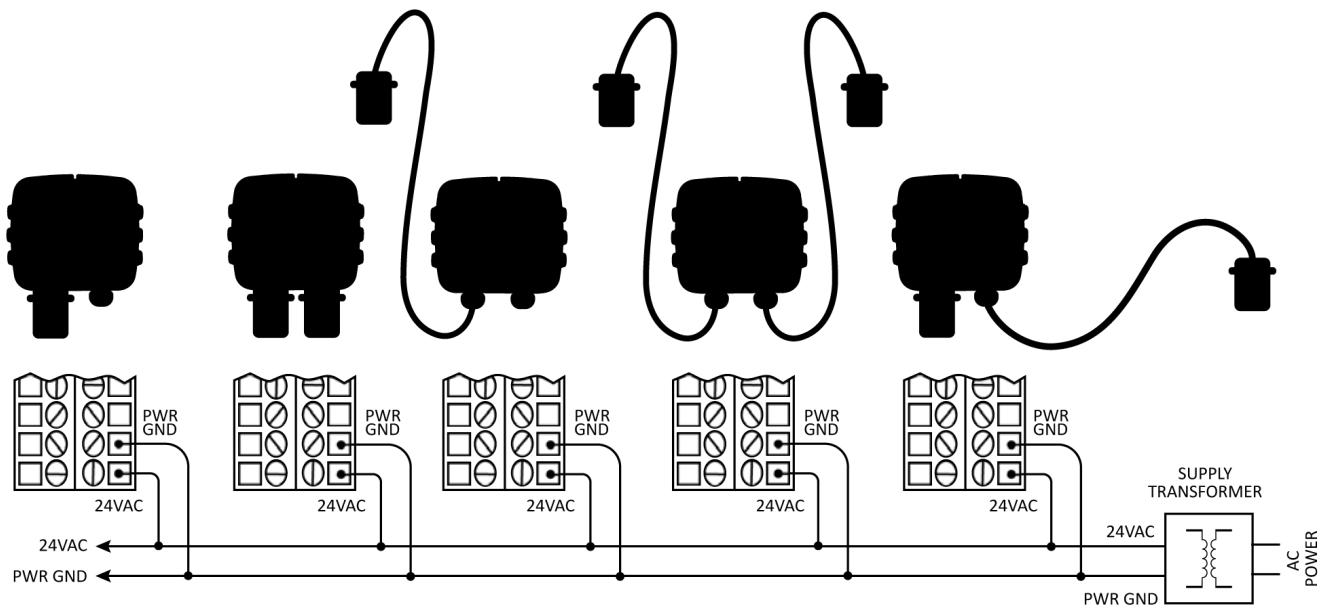


NOTE: Sensors are not automatically recognized and must be individually registered using function F-06. See section 4.3.6 Register Sensor (F-06), section 4.3.7 De-register One Sensor (F-07), and section 4.3.8 De-register All Sensors and Reset Node Address (F-08).

3.4.5 Connecting One or More MGS-550s to an MSA Bacharach Controller

NOTE: For wiring and configuration information, please refer to the manual which was included with the MSA Bacharach controller (e.g., MGS, etc.).

- At the central control system, connect the shield of the wires to the earth ground of the controller (e.g., the chassis, the ground bus-bar, etc.).
- For 24 VDC installations, the input is protected. If the polarity is reversed, the instrument will not power-up.
- For 24 VAC installations in daisy-chain, the neutral polarity must be maintained for all instruments (see example below).



3.4.6 Modbus RTU Interface

- For the Modbus network use an 18 to 24 AWG (0.5 to 1 mm²) shielded twisted pair wire with a 120Ω characteristic impedance.
- The Modbus address, baud rate, stop bit, parity and slave termination is configured through the setup menu. No jumpers or hardware switch settings are required.
- Ensure that the communication parameters within the network, including the Building Management System, are configured identically. See section [4.4.5 Modbus Configuration \(MB-xx\)](#).
- If the MGS-550 is at the end of the Modbus network, the terminating resistor must be set to “IN”. All other instrument terminating resistor must be set to “OUT” (factory default). See section [4.4.5 Modbus Configuration \(MB-xx\)](#).

3.4.7 Conclusion

After all wiring is completed, connect the ribbon cable, replace the lid, and tighten the six (6) screws with an M5 hex key.

NOTICE

DO NOT allow the lid / sensor to hang from the ribbon cable. Failure to follow this notice may result in damage to the product.

4 Operation

4.1 Overview of Normal Operation

WARNING!

Before leaving the instrument for normal operation, check the configuration for proper settings and check calibration. **Failure to follow this warning can result in serious personal injury or death.**

4.1.1 Applying Power and the Start-up Sequence

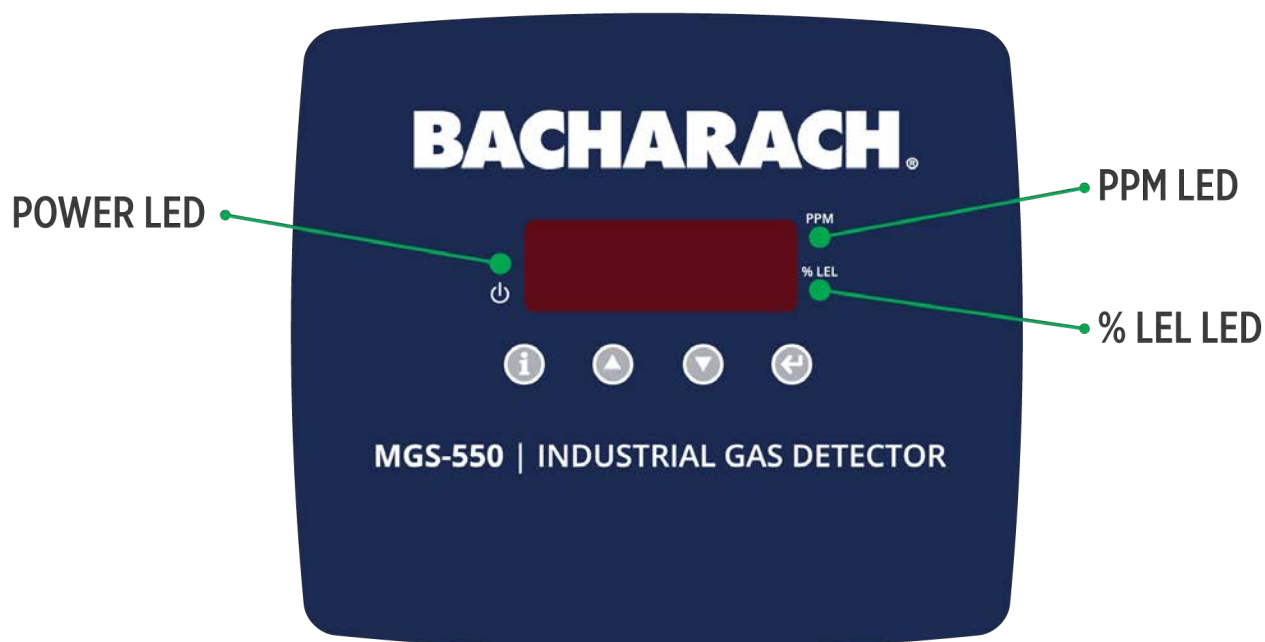
After applying power, the instrument will go through a start-up sequence (LED test, software version, and initialization) and start the warm-up period. The power LED will blink and, by default, the display will remain blank. To enable the display of gas type and concentration, use parameter P1-01 which will cause the display to toggle between the target gas name and a value of "0" for the sensor in warm-up. See section 4.4.6 [Display Mode \(P1-01\)](#).

Two digital displays showing '0.0.0.0.0.' representing the initial state of the instrument during warm-up.

The instrument output will be OFFLINE (see section 4.3.1 [Offline Mode \(F-01\)](#)). If two sensors are installed, both target gas names and "0"s will be toggled sequentially.

Two digital displays showing '0.0.0.0.0.' and '0.44.0.0.' representing the sequential toggling of gas names and values during warm-up.

NOTE: Sensor warm-up times may be different for dual sensor configurations. The power LED will continue to blink as long as at least one sensor is in warm-up.



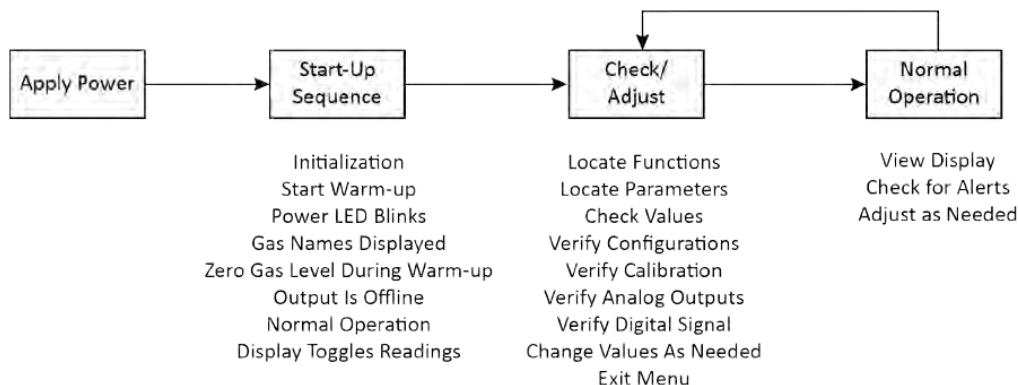
4 Operation

After the warm-up period, the instrument begins normal operation. The display toggles between the current gas concentration and target gas name.



During normal operation, the left green LED is lit solid. Depending on the unit of measurement, the green LED for ppm or %LEL is lit. If both of these LED are off, the unit of measurement is Vol%.

All configurations must be checked at least initially, and the calibration must be checked initially and as needed.



4.1.2 Verifying Analog Signals

During normal operation the current output of the instrument is proportional to the detected gas concentration and can be selected from the following.

- 4 to 20 mA
- 0 to 5 V
- 1 to 5 V
- 0 to 10V
- 2 to 10 V

The MGS-550 uses different current values to indicate various modes of operation. See section [9.1 General Specifications](#) for additional information.

4.1.3 Verifying the Digital Modbus Signal
















The MGS-550 provides a Modbus RTU digital interface. All status messages and most parameters which can be accessed and/or configured through the menu can also be accessed and/or configured via a Building Management using a Modbus network. See section [4.4.5 Modbus Configuration \(MB-xx\)](#).


4.1.4 The 5-Digit Display and LEDs

In normal operation, the 5-digit, 7-segment LED display toggles between the gas name (CO2 in this example, and the measured gas concentration (291 ppm in this example).

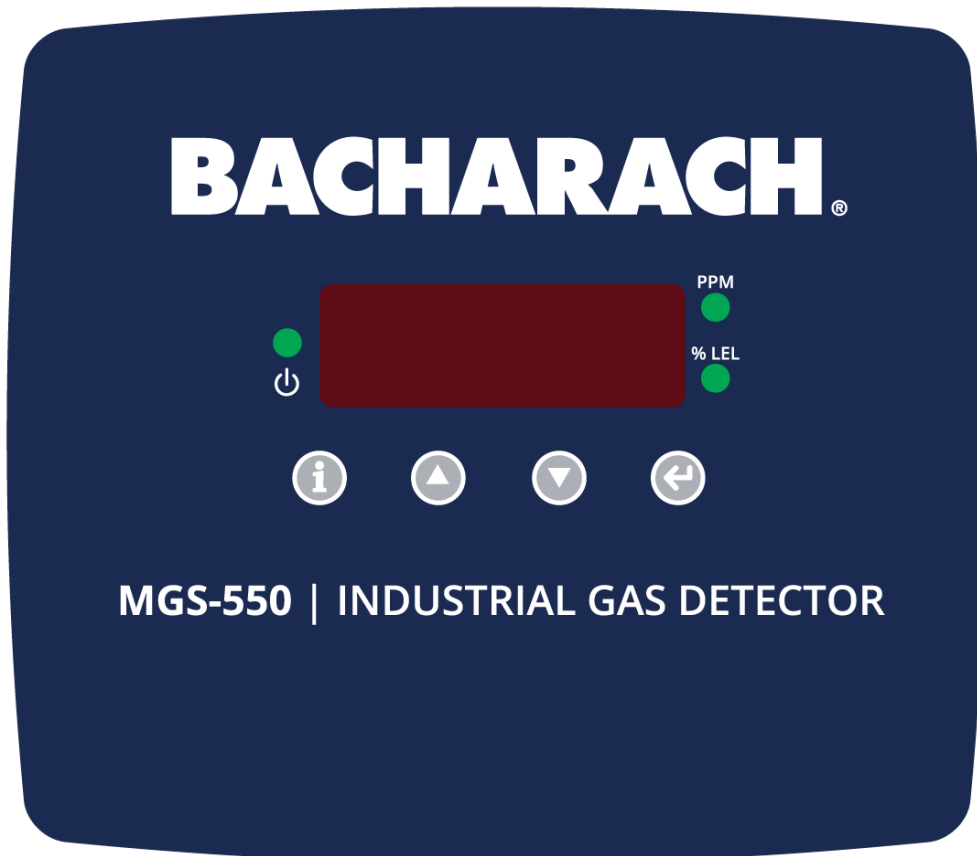


In addition, the following special symbols and unique messages may also be displayed during operation of the instrument.

Symbol/Message	Description
	The measuring range of the sensor has been exceeded ("upper hockey sticks" symbol).
	The sensor drifted negative (<0) ("lower hockey sticks" symbol).
  	If a fault has been detected, the display toggles between gas name and "Exxx", and the green power LED is off. "E100" indicates a critical fault and "E300" indicates a non-critical fault. A non-critical fault does not need immediate attention, but should be mitigated at the next scheduled maintenance (see section 5 Maintenance). If a relay has been designated to the critical fault, it is asserted. E400 is a configuration warning that happens after a second sensor is added to warn the user that the sensor is not driving any relays or analog outputs.
	When the first alarm has been triggered, the display will toggle between gas name, "A1" and current gas concentration. If a relay has been designated to the first alarm, it is asserted.
	When the second alarm has been triggered the display will toggle between gas name, "A2" and current gas concentration. If a relay has been designated to the second alarm, it is asserted.
	When the third alarm has been triggered the display will toggle between gas name, "A3" and current gas concentration. If a relay has been designated to the third alarm, it is asserted.
	The instrument is offline. See section 4.3.1 Offline Mode (F-01) .
	The first character represents an "M". This is found in the Modbus parameters (MB-xx). Refer to section 4.4.5 Modbus Configuration (MB-xx) .
 	This is a confirmation that is displayed before a sensor is registered. Tap [ENTER] to confirm registration of sensor 1 or registration of sensor 2. For more information, refer to section 4.3.6 Register Sensor (F-06) .
 	This message is shown after successful completion of a functional operation of one of the sensors (for example, after registering a sensor, after calibrating a sensor, etc.).
	This is a confirmation display prior to de-registering all sensors and resetting node addresses (F-08). Tap [ENTER] to confirm reset. See section 4.3.8 De-register All Sensors and Reset Node Address (F-08) for additional information.

Symbol/Message	Description
	This is a second confirmation display prior to de-registering all sensors and resetting node addresses (F-08). Tap [ENTER] to confirm reset. section 4.3.8 De-register All Sensors and Reset Node Address (F-08) for additional information.

The unit of measurement is indicated by two green LEDs on the right side (upper LED for ppm, lower LED for %LEL, both LEDs off for Vol%). The green LED on the left indicates that the instrument is in normal operation.



NOTE: If two sensors are installed for the same gas, but have different measuring ranges, the unique sensor identifier or UID (see label on the sensor) will be displayed in addition to the gas name.

NOTE: Depending on the sensor and measuring range, the gas concentration may or may not be shown with a decimal point.

4.2 Menus

4.2.1 General Navigation

The MGS-550 offers two methods of navigating through the menu.



- Use the non-intrusive magnetic wand (tapping above the “magnetic” icons with dashes)
- Use the internal push buttons (pressing the push button points).

Magnetic Switch Points	Internal Push Button Points	Function(s)
		Tapping/pressing and holding the [i] key for more than 3 seconds gives access to the user menu (which displays the firmware version first). It is also used to return to the next higher menu item without saving any changes (“escape”). A short tap/press (< 3 seconds) of the [i] key also brings up a sensor identification on the display, toggling between the serial number (UID) of Sensor 1 and Sensor 2.
		Tapping/pressing the magnetic wand over the [UP] / [DOWN] keys scrolls through the menu selections. Holding the magnetic wand at the key is interpreted as repeat tapping with an eventual acceleration. When the last menu item is reached, the menu will roll over to the first menu item in the list. A diagnostic scan can be entered from normal operation by tapping and holding [UP] for more than 3 seconds.
		Tapping/pressing the [ENTER] key (↵) confirms a selection. In normal operation tapping/pressing and holding the [ENTER] key for more than 3 seconds will cancel the OFFLINE mode, or release any latched alarm, or acknowledge any acknowledgeable alarm, with priority given to OFFLINE mode.

NOTE: The instrument is designed for the magnetic wand to be used with the enclosure lid in place. If the enclosure lid is not in place, the magnetic wand may activate two or more keys at once due to cross-talk.

NOTE: After 3 minutes of inactivity within a menu, the instrument times-out and returns to normal operation. When changing a parameter, 3 minutes of inactivity will cause the instrument to time out and return to normal operation without accepting any changes.

4.2.2 Checking Status and Changing Parameter Values

Select the menu item to be accessed by tapping [UP] / [DOWN].

4 Operation

- When the desired menu item is displayed, tap [ENTER]. The current value or status will flash to indicate the user interface has switched to data entry mode.
- [UP] / [DOWN] adjust the value of a numerical parameter or scroll through preset choices.
- Once the display shows the intended value or choice, tap [ENTER] to validate the new parameter and return to the previous menu.

4.2.3 Exiting the Menu

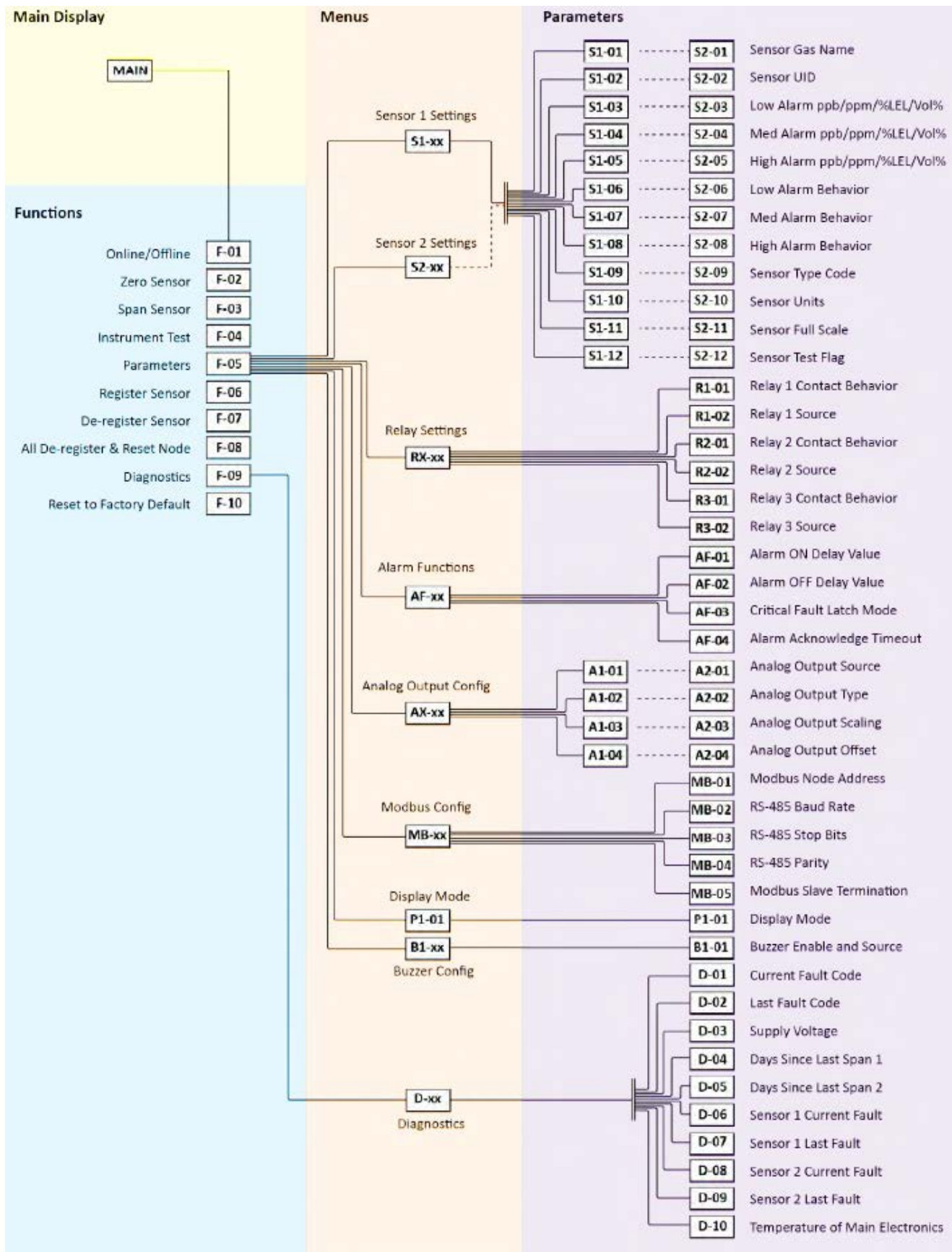
To get back into measurement mode, tap and hold the [i] key for more than 3 seconds. This will step back through the menus and eventually return to normal operation.

4.2.4 Menu Overview

The menu is divided in functions and parameters. Individual parameters are grouped into logical menus.

Function	Description																		
F-01	00 = instrument online, 01 = instrument OFFLINE																		
F-02	1 = zero sensor 1, 2 = zero sensor 2																		
F-03	1 = span sensor 1, 2 = span sensor 2																		
F-04	Instrument test																		
F-05	Access parameters: <table border="1"><thead><tr><th>Parameters</th><th>Description</th></tr></thead><tbody><tr><td>S1-XX</td><td>Sensor 1 settings</td></tr><tr><td>S2-XX</td><td>Sensor 2 settings – if connected</td></tr><tr><td>RX-XX</td><td>Relay settings</td></tr><tr><td>AF-XX</td><td>Alarm functions</td></tr><tr><td>AX-XX</td><td>Analog output configuration</td></tr><tr><td>MB-XX</td><td>Modbus configuration</td></tr><tr><td>P1-01</td><td>Display mode</td></tr><tr><td>B1-XX</td><td>Buzzer settings</td></tr></tbody></table>	Parameters	Description	S1-XX	Sensor 1 settings	S2-XX	Sensor 2 settings – if connected	RX-XX	Relay settings	AF-XX	Alarm functions	AX-XX	Analog output configuration	MB-XX	Modbus configuration	P1-01	Display mode	B1-XX	Buzzer settings
	Parameters	Description																	
	S1-XX	Sensor 1 settings																	
	S2-XX	Sensor 2 settings – if connected																	
	RX-XX	Relay settings																	
	AF-XX	Alarm functions																	
	AX-XX	Analog output configuration																	
	MB-XX	Modbus configuration																	
	P1-01	Display mode																	
B1-XX	Buzzer settings																		
F-06	Register sensor																		
F-07	De-register one sensor																		
F-08	De-register all sensors and reset node address																		
F-09	Access diagnostics, system information, and fault parameters																		
F-10	Reset system to factory default setting																		

An example of the layered structure of functions, menus, and parameters is illustrated below. Individual functions and parameters are described in detail in the sections that follow.



4.3 Functions

4.3.1 Offline Mode (F-01)

In OFFLINE mode the instrument does not respond to alarm conditions, but allows the execution of functions and the setting of parameters. OFFLINE mode is useful in eliminating false alarms while performing maintenance.

- To enter OFFLINE mode, change F-01 to 01.
- To cancel OFFLINE mode, change F-01 to 00 or tap and hold [ENTER] for more than 3 seconds from the top level menu.

NOTE: OFFLINE mode automatically times out 30 minutes after returning to normal operation (i.e., after exiting the function menu).

Item	Behavior in OFFLINE Mode
Green LED	On
Display	Displays "oFFLn" or function and parameter numbers or user interaction in place of the gas level when applicable
Analog Output	4 to 20 mA Changes to 3 mA
	0 to 5 V Stays at last valid value
	0 to 10 V Stays at last valid value
	1 to 5 V 0 V
	2 to 10 V 0 V
Modbus Registers	Offline flag (Modbus register 10024) is active (must be monitored). Concentration registers stay at their last valid values.
Alarm States	Any pre-existing alarm condition is cancelled
Faults	Faults remain active, but actions based on any pre-existing fault are de-asserted (e.g., relays, buzzer, and Modbus flags).

4.3.2 Zero Adjustment (F-02)

This function is used to adjust the zero reference point of the sensor. See section [5.2.3 Zero Adjustment](#) for information.

4.3.3 Span Adjustment (F-03)

This function is used to adjust the sensitivity to match the known concentration of an applied calibration gas. See section [5.2.4 Span Adjustment](#) for information.

4.3.4 Instrument Test (F-04)

This function tests the relays, display, and analog outputs by temporarily overriding them. It might be necessary to inhibit the alarms at the central controller to avoid false alarms.

- Use the [UP] / [DOWN] key to select the test to be performed:
 - 1 = relay test
 - 2 = analog output test
 - 3 = display test.

After exiting this function, the instrument returns to the function menu and all test overrides are removed.

#	Test	Description
1	Relay	The relay test changes the state of each relay. Use the [UP] / [DOWN] key to toggle the relay. Tap [ENTER] to test the next relay. Tap [i] to exit the function. Note that changing the state of the relays can trigger alarms in connected equipment.
2	Analog Output	The analog output test allows you to set the output for interface test purposes (e.g., to check the programming of a central controller). Tapping [ENTER] will set the analog output to the level equivalent to zero gas. For a 4 to 20 mA configuration this output will be 4 mA; for a 1 to 5 V configuration this output will be 1 V; and so on. Use the [UP] / [DOWN] key to change the value of the zero output. After tapping [ENTER], the analog output will be set to full scale. Use the [UP] / [DOWN] key to adjust the value of the full-scale output. NOTE: Changing the analog outputs can trigger alarms in connected equipment.
3	Display	The display test lights up all segments and LEDs.

4.3.5 Parameter Menu (F-05)

Use this function to access the parameter menu. See section [4.2.4 Menu Overview](#) and section [4.4 Parameters](#) for detailed information.

4.3.6 Register Sensor (F-06)

Function F-06 is used to register a new sensor without having to cycle power.

In general, sensor registration is the association of parameters in the instrument to the set in the sensor. Registration occurs at the factory for the local sensor and is based on the sensor configuration that is ordered. If the sensor configuration must be changed (e.g., changing a sensor type or adding a second sensor), then the new sensor must be registered.

NOTICE

Before unplugging ANY sensor, it must be de-registered using function F-07.

Failure to do this will require you to de-register all sensors using F-08 (with the sensors still connected to the main electronics), remove the sensors, and then re-install and re-register the sensors one at a time using function F-06.

If the sensors are not connected when an F-08 is performed, then their node addresses will not be reset. Refer to the following NOTICE for information on resetting node addresses.

New sensors all have address 100. The first sensor registered will be sensor #1 and the second sensor #2.

Resetting sensor registration through F-08 will reset them all to 100; then they need to be registered one at a time.

To register a newly added sensor, select F-06 and tap [ENTER]. There are 3 possible scenarios.

Scenario	Description
Sensor is already registered	If there is already one sensor connected and it has already been registered, the F-06 display is shown after a brief delay.
Normal registration/ adding a sensor	If the newly added sensor was previously unregistered or de-registered (i.e., address 100), "reg 1" or "reg 2" will be displayed (depending on the configuration). Tap [ENTER] to confirm registration of the sensor. "PASS1" or "PASS2" will be displayed.
Address conflict	If a sensor was previously registered in an instrument, was not de-registered, was removed, and then

Scenario	Description
	<p>plugged in to a different instrument, then a critical fault (E100 error) will occur.</p> <p>Refer to function F-08 to resolve.</p>

4.3.7 De-register One Sensor (F-07)

This function resets the registration of a sensor and changes a 2-sensor system to a 1-sensor system.

NOTE: Removing a sensor without first de-registering it will result in a fault. Always de-register a sensor before permanently removing it.

Tap [ENTER] to display the unique sensor identifier (UID). Use the [UP] / [DOWN] keys to select the sensor to be removed. After tapping [ENTER], the sensor can be disconnected. See section [5.4 Sensor Maintenance](#) for information.

NOTE: A sensor's user-editable parameters (e.g., alarm setpoints, etc.) are not retained after it is de-registered. If a sensor is registered again, all parameters will be set to their factory default values.

4.3.8 De-register All Sensors and Reset Node Address (F-08)

Two sensors connected to the instrument that have the same node address will result in a fault. Function F-08 can be used to recover from this situation by resetting the registration of all sensors and resetting their node addresses to 100.

- Tap [ENTER]. The instrument will show "Reset".
- Tap [ENTER] to confirm reset. Instrument will show a second confirmation ("sure").
- Tap [ENTER] again to reset the node address. "Pass" will be displayed.
- Unplug the sensors.
- Plug in one sensor and register it. See section [4.3.6 Register Sensor \(F-06\)](#).
- Plug in second sensor and register it.

Be sure to plug in the sensors and re-register them one at a time to avoid address conflicts.

NOTICE

Before unplugging ANY sensor, it must be de-registered using function F-07.

Failure to do this will require you to de-register all sensors using F-08 (with the sensors still connected to the main electronics), remove the sensors, and then re-install and re-register the sensors one at a time using function F-06.

If the sensors are not connected when an F-08 is performed, then their node addresses will not be reset.

4.3.9 Diagnostics, System Information and Fault Data (F-09)

This function will display any diagnostics and fault codes.

- Tap [ENTER] to initiate the function.
- Use the [UP] / [DOWN] keys to select a diagnostics code.
- After tapping [ENTER], the respective code will be displayed.

See section [5.3 Troubleshooting](#) for additional information.

NOTE: The diagnostics attributes can be accessed directly during normal operation by tapping and holding [UP] for more than 3 seconds.

4.3.10 Reset System to Factory Default Setting (F-10)

This function will restore factory default values of all application specific parameter settings. See section [6 Factory Default Settings](#) for a list.

NOTE: Resetting the system to its factory default values will not reset sensor calibrations.

NOTE: Function F-10 resets all parameters (except sensor registration information) to their factory default values (see section [6 Factory Default Settings](#)). Before executing this function, consider recording all parameter settings in case you wish to reset one or more of them to their former values.

- Tap [ENTER] to initiate this function. A "SURE" confirmation prompt is given.
- Tap [ENTER] to confirm the reset.
- All LED segments will light up for 3 seconds.
- Parameter settings will change to factory default values.
- The internal buzzer will sound for 3 seconds.
- After another 3 seconds the instrument will return to the main menu.

After an F-10 system reset, the instrument will be in a “known state”, and the parameters can be set.

4.4 Parameters

4.4.1 Sensor 1 Settings (S1-xx) and Sensor 2 Settings (S2-xx) if Connected

S1 & S2 Param		Name (n=1 or 2)	Description (n=1 or 2)
S1-01	S2-01	Sensor <i>n</i> Gas Name	Abbreviated Gas Name
S1-02	S2-02	Sensor <i>n</i> UID	Unique 5-digit sensor ID (serial number)
S1-03	S2-03	Sensor <i>n</i> Low Alarm ppb/ppm/%LEL/Vol%	Value above which a low alarm condition occurs. Low alarm value must be less than the medium and high alarm values (Sn-03 < Sn-04 < Sn-05). (See oxygen sensor notice below.) This parameter has a fixed minimum limit that is sensor-specific and not editable.
S1-04	S2-04	Sensor <i>n</i> Medium Alarm ppb/ppm/%LEL/Vol%	Value above which a medium alarm condition occurs. Medium alarm value must be between low and high alarm values (Sn-03 < Sn-04 < Sn-05). (See oxygen sensor notice below.)
S1-05	S2-05	Sensor <i>n</i> High Alarm ppb/ppm/%LEL/Vol%	Value above which a high alarm condition occurs. High alarm value must be greater than low and medium alarm values (Sn-03 < Sn-04 < Sn-05). (See oxygen sensor notice below.)
S1-06	S2-06	Sensor <i>n</i> Low Alarm Behavior	0 = Disabled
S1-07	S2-07	Sensor <i>n</i> Medium Alarm Behavior	1 = Non-latching, not acknowledgeable
S1-08	S2-08	Sensor <i>n</i> High Alarm Behavior	2 = Non-latching, acknowledgeable
			3 = Latching, not acknowledgeable
			4 = Latching, acknowledgeable
S1-09	S2-09	Sensor <i>n</i> Type Code	4-digit sensor code (read-only)
S1-10	S2-10	Sensor <i>n</i> Units	Read-Only. Sensor <i>n</i> measurement units: 1 = ppm 2 = ppb 3 = Vol% 4 = %LEL

4 Operation

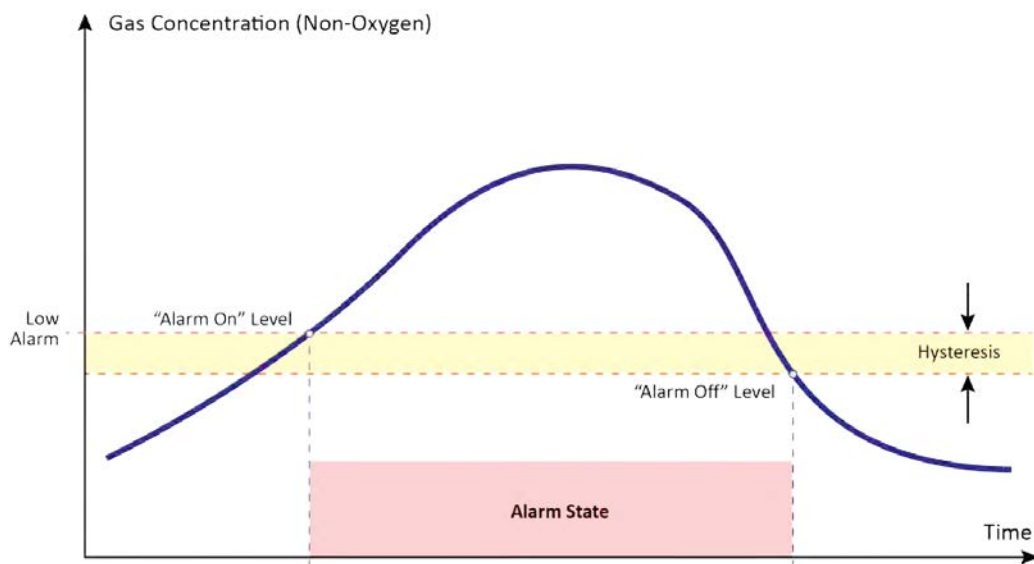
S1 & S2 Param		Name (n=1 or 2)	Description (n=1 or 2)
S1-11	S2-11	Sensor <i>n</i> Full Scale	Read-Only. Sensor <i>n</i> full-scale units: ppb or ppm or Vol% or %LEL.
S1-12	S2-12	Sensor <i>n</i> Test Flag	<p>When set to 1, this flag indicates that a calibration is recommended. This flag can be reset to 00 by either successfully completing a span adjustment (see section 5.2.4 Span Adjustment) or by changing the value manually.</p> <p>0 = Sensor OK 1 = Sensor in operation for >6 months without calibration. Recalibration recommended.</p>

The following parameters are sensor dependent.

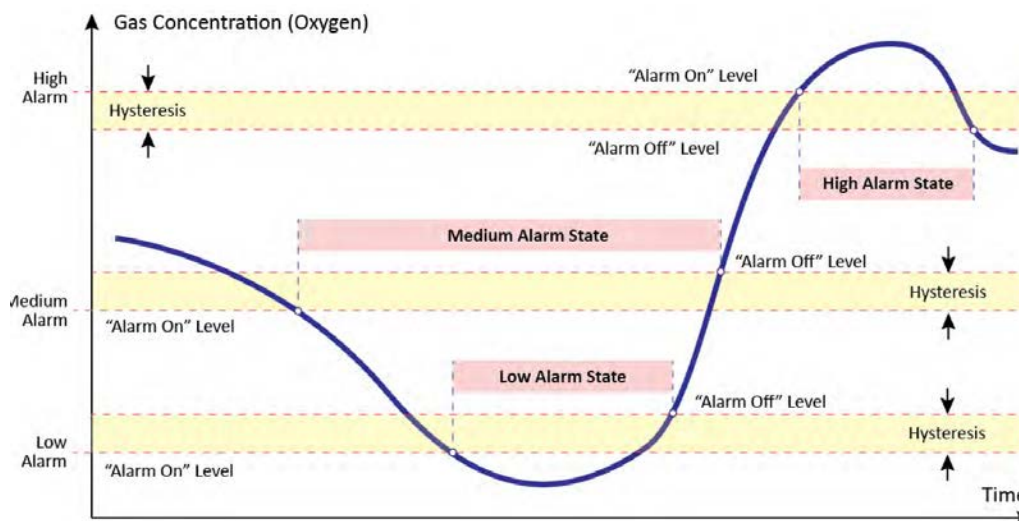
- Low alarm limit (S1-03 and S2-03)
- High alarm limit (S1-05 and S2-05)
- Unit of measurement (S1-10 and S2-10)
- Factory default values for the alarm thresholds

NOTE: A fixed hysteresis of 5% of full scale is set in order to avoid chatter at an alarm threshold.

NOTE: For all instruments except oxygen, the alarm occurs on gas concentrations that increase beyond the set-points.



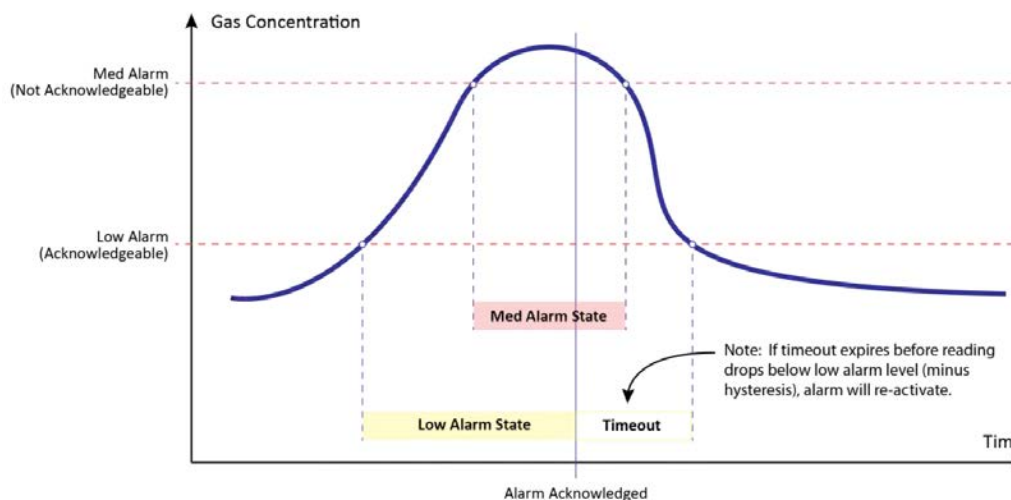
NOTE: For all instruments monitoring oxygen, the low and medium alarms occur on concentrations that decrease below the set-points. The high alarm occurs on gas concentrations that increase beyond the set-point. This permits the detection of oxygen displacement and enrichment scenarios.



NOTE: Alarm hierarchy exists. An A2 alarm overrides an A1 alarm on the display. However, the A1 and A2 states operate independently. An example follows.

- A1 is acknowledgeable
- A2 is not acknowledgeable
- The gas concentration is such that it triggers A1 and A2

Acknowledging will cause the A1 relay to release. However, the display will still show an A2 alarm as long as the A2 condition continues to exist. The same is true for A3 and A2.



Latching and acknowledgment settings of alarms may be combined to create unique scenarios.

- Latching means that once the alarm level is reached, the instrument will trigger the alarm and it will remain in alarm status even if the gas concentration subsequently does not meet the alarm condition any more. To clear a latching alarm it has to be acknowledged by tapping and holding [ENTER] for more than 3 seconds.
- Non-latching means that the alarm status clears if the gas concentration does not meet the alarm condition anymore.
- Acknowledgeable means that the alarm relay can be reset before the alarm condition clears.
- Not acknowledgeable means that the alarm relay cannot be reset until the alarm condition clears.

Latching	Acknowledgeable	Explanation
No	No	The alarm state will reset automatically when the alarm condition clears. The alarm state cannot be reset manually before the alarm condition clears.
No	Yes	The alarm state will reset automatically when the alarm condition clears or can be reset manually.
Yes	No	The alarm state must be reset manually. The alarm state cannot be reset before the alarm condition clears.
Yes	Yes	The alarm state must be reset manually and can be reset before the alarm condition clears.

Latching and acknowledgment does not just affect relay states, but also the buzzer state and Modbus status flags.

4.4.2 Relay Designation (RX-xx)

Parameter	Name	Description
R1-01	Relay 1 Contact Behavior	Select behavior for Relay 1: 0 = NO, 1 = Failsafe.
R1-02	Relay 1 Source	Select alarm configuration (01 to 14) to activate Relay 1: 01: Sensor 1 Low Alarm 02: Sensor 1 Medium Alarm 03: Sensor 1 High Alarm 04: Sensor 1 Fault 05: Sensor 2 Low Alarm 06: Sensor 2 Medium Alarm 07: Sensor 2 High Alarm 08: Sensor 2 Fault 09: Instrument Electronics Critical Fault 10: Any Low Alarm 11: Any Medium Alarm 12: Any High Alarm 13: Any Sensor Fault or Instrument Electronics Critical Fault 14: Any Alarm or Sensor Fault or Instrument Electronics Critical Fault
R2-01	Relay 2 Contact Behavior	Select behavior for Relay 2: 0 = NO, 1 = Failsafe.
R2-02	Relay 2 Source	Select alarm configuration (01 to 14) to activate Relay 2. See R1-02 above for source codes.
R3-01	Relay 3 Contact Behavior	Select behavior for Relay 3: 0 = NO, 1 = Failsafe.
R3-02	Relay 3 Source	Select alarm configuration (01 to 14) to activate Relay 3. See R1-02 above for source codes.

The relays can be independently designated to any configuration below.

For example, consider a 2-sensor system with relays configured as follows:

- R1-02=01 Relay 1 configured as 01 (Sensor 1 Low Alarm).
- R2-02=06 Relay 2 configured as 06 (Sensor 2 Medium Alarm).
- R3-02=13 Relay 3 configured as 13 (Any Sensor Fault or Instrument Electronics Critical Fault).

- In this configuration, the following would occur:
- Relay 1 will activate when the low alarm of sensor 1 is triggered.
- Relay 2 will activate when the medium alarm of sensor 2 is triggered.
- Relay 3 will activate when any sensor or instrument fault occurs (either sensor).

It is possible to dedicate the same alarm configuration to multiple relays. For example, sensor 1 high alarm could be mapped to relay 1 and relay 2 (for redundancy).

NOTICE

With integrated relays, the instrument can be operated stand-alone without a central controller (with additional local alarm signaling). It is recommended to designate one relay as fault relay (e.g., configuration 13).

4.4.3 Alarm Configuration (AF-xx)

Parameter	Name	Description
AF-01	Alarm ON Delay Value	00 = no delay, 01 to 15 = delay in minutes. If an alarm ON delay is set, the gas concentration has to be continuously above (below for oxygen low and medium alarms) the alarm threshold for the delay time before the alarm is triggered or activated. NOTE: Once programmed, all alarms have the same ON delay.
AF-02	Alarm OFF Delay Value	00 = no delay, 01 to 15 = delay in minutes. If an alarm OFF delay is set, the gas concentration has to be continuously below (above for oxygen low and medium alarms) the alarm threshold for the delay time before the alarm is deactivated. If the alarm is acknowledgeable, the alarm OFF delay will be terminated as soon as it is acknowledged. NOTE: Once programmed, all alarms have the same OFF delay.
AF-03	Critical Fault Latch Mode	0 = non-latching, 1= latching Latching means that any critical fault state will remain active (even if the event creating the fault is cleared) until the user manually clears the fault state with the "ENTER" key.
AF-04	Alarm Acknowledge Timeout	00 = no timeout, 01 to 59 = delay in minutes NOTE: If an alarm state has been acknowledged, but the condition still exists after the timeout period, the alarm state will be triggered again.

4.4.4 Analog Output Configuration (AX-xx)

Parameter	Name	Description
A1-01	Analog Output 1 Source	1 = Sensor 1 2 = Sensor 2
A1-02	Analog Output 1 Type	0 = 0 to 5 V 1 = 1 to 5 V 2 = 0 to 10 V 3 = 2 to 10 V 4 = 4 to 20 mA
A1-03	Analog Output 1 Scaling	Scales the FSD (full-scale deflection), i.e., the measuring range, between 20 and 100% FSD, to the maximum analog output (e.g., 20 mA). The selected full scale deflection determines the analog output (e.g., 20 mA)

Parameter	Name	Description
		<p>signal) on the analog interface.</p> <p>Example: Consider an application with a required range of 0 to 20,000 ppm CO₂ with a min and max of 4,000 ppm and 20,000 ppm, respectively.</p> <p>To select full scale deflection as 10,000 ppm, set this parameter to 50%. The analog output will be linear between 4 mA (= 0 ppm) and 20 mA (= 10,000 ppm). However, the resolution of the sensor stays at the value for the max range.</p> <p>NOTE: Alarm thresholds will not be changed when scaling the analog output. These must be set separately. See section 4.4.1 Sensor 1 Settings (S1-xx) and Sensor 2 Settings (S2-xx) if Connected.</p>
A1-04	Analog Output 1 Offset	<p>Sets an analog offset ($\pm 410 = \pm 10\%$ of full scale) at the zero point. This parameter adds an offset to the analog output. The offset is constant over the entire range of the analog signal. No re-calibration necessary. This parameter is essential for an installation where the analog current at the instrument differs from the current at the central controller.</p> <p>NOTE: The offset can be positive or negative, but can't take the output below the zero gas level (e.g., 4 mA for 4-20 mA).</p>
A2-01	Analog Output 2 Source	Same as A1-01, but for output 2 (see description above).
A2-02	Analog Output 2 Type	Same as A1-02, but for output 2 (see description above).
A2-03	Analog Output 2 Scaling	Same as A1-03, but for output 2 (see description above).
A2-04	Analog Output 2 Offset	Same as A1-04, but for output 2 (see description above).

4.4.5 Modbus Configuration (MB-xx)

Parameter	Name	Description
MB-01	Modbus Node Address	Set the RS-485 node address (001 to 255)
MB-02	RS-485 Baud Rate	0 = 9600 1 = 19200
MB-03	RS-485 Stop Bits	1 or 2
MB-04	RS-485 Parity	0 = None 1 = Odd 2 = Even
MB-05	Modbus Slave Termination	0 = Out 1 = In

4.4.6 Display Mode (P1-01)

Parameter	Name	Description
P1-01	Display Mode	<p>Defines whether or not the gas name and concentration are displayed during normal operation.</p> <p>0 = OFF (gas name and concentration will not be shown) 1 = ON (gas name and concentration will be shown)</p> <p>If an alarm or fault condition occurs, the display will be turned on to show the error code(s).</p>

4.4.7 Buzzer Designation (B1-xx)

Parameter	Name	Description
B1-01	Buzzer Enable and Source	Select alarm configuration (01 to 14) to activate Buzzer. 00 = Buzzer disabled

Each MGS-550 has a built-in buzzer which can be designated to any alarm configuration. Refer to section [4.4.2 Relay Designation \(RX-xx\)](#) for a list of alarm configurations.

5 Maintenance

5.1 Maintenance Intervals

Interval	Function
During Commissioning	Check calibration.
	Check signal transmission to the central controller.
	Check LEDs for proper operation.
	Check for proper triggering of alarm devices.
Every 6 Months*	Inspection by trained service personnel.
	Check signal transmission to the central controller.
	Check LEDs for proper operation.
	Check for proper triggering of alarm devices.
	Calibrate the sensor or contact MSA Bacharach for sensor exchange with factory-calibrated sensor.
As Required	Replace sensor(s). See section 5.4 Sensor Maintenance .

* Maintenance intervals must be established for each individual installation. Depending on safety considerations, application-specific conditions, and local regulations, the 6-month maintenance intervals might need to be shortened.

5.2 Making Adjustments to Sensors

5.2.1 Introduction

Adjustment of the instrument must be performed at regular intervals as detailed above.

WARNING!

Breathing Hazard: Calibration gas must not be inhaled! See appropriate Material Safety Data Sheets. Calibration gas should be vented into a fume hood or to the outside of the building.

Zero First, Then Span: For proper operation, never adjust the span before completing a zero adjustment. Performing these operations out of order will cause faulty calibration.

MSA MSA Bacharach recommends calibrating instruments within the application-specific condition and with target gas. This method of zeroing the instrument in the application environment and performing a target gas calibration is more accurate. A surrogate gas calibration may only be performed as an alternative if a target gas calibration is not possible.

Failure to follow these warnings can result in serious personal injury or death.

NOTE: The sensor should be fully warmed-up (refer to section [4.1.1 Applying Power and the Start-up Sequence](#)).

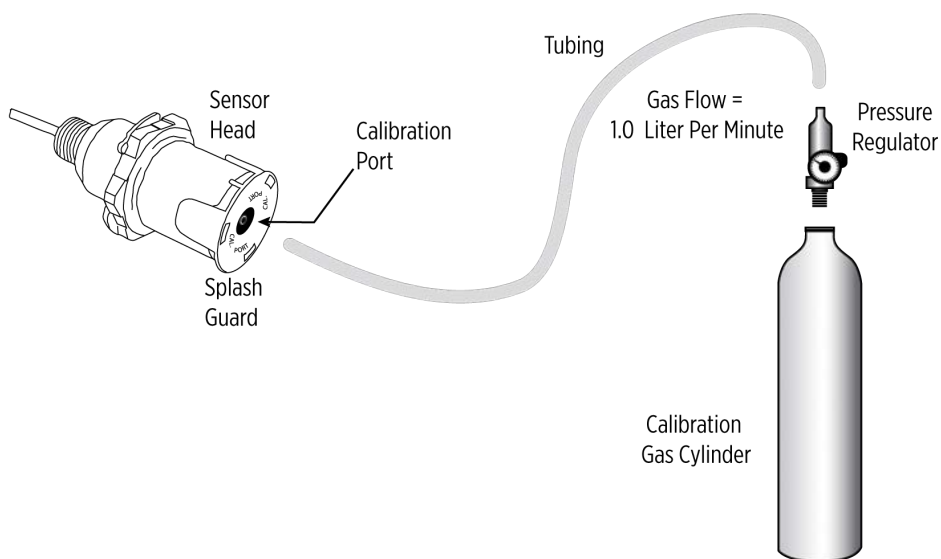
NOTE: When entering the functions F-02 (zero adjustment) or F-03 (span adjustment), the instrument will automatically enter OFFLINE mode. The instrument will remain OFFLINE until either the OFFLINE mode is canceled using function F-01 (see section [4.3.1 Offline Mode \(F-01\)](#)), or the OFFLINE mode times out within 30 minutes after the adjustment has ended. This is to avoid false alarms caused by residual cal gas. If the adjustment has not been completed, the

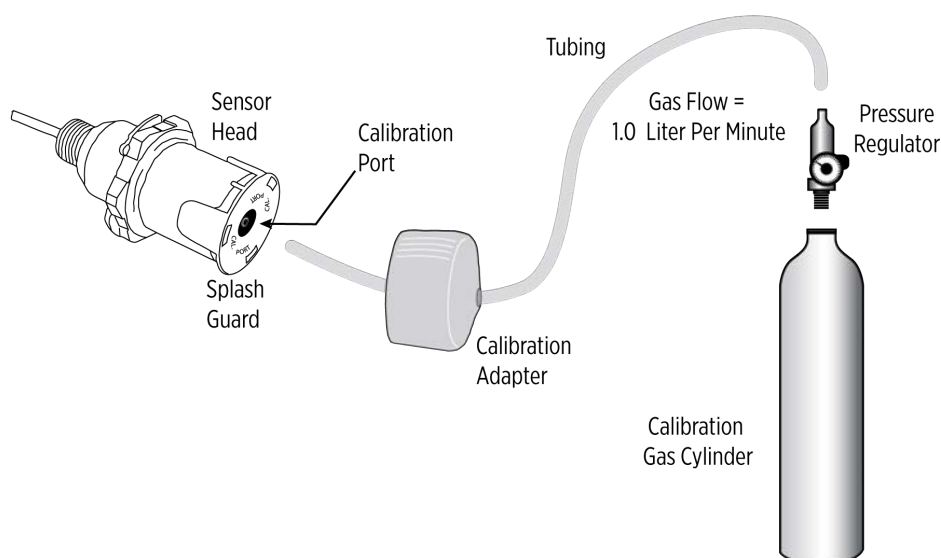
instrument will abort the zero or span adjustment after 5 minutes of the last of interaction. No new data will be saved and the instrument remains OFFLINE.

5.2.2 General Procedure

- Ensure the instrument has been powered on for at least 1 hour prior to beginning the sensor adjustment procedure. For semiconductor sensors, you must wait at least 24 hours.
- Attach the pressure regulator to the calibration gas cylinder.
- Attach tubing to the pressure regulator.
- Attach calibration adapter to the tubing.
- Connect the tubing to the calibration port (the barbed fitting) of the splash guard.
- The gas flow should be approximately 0.3 to 1.0 L/min.
- Access the appropriate function (as needed) and begin the zero, span, or bump test.

NOTE: If the intended operation is at higher altitudes, the factory calibration will result in a reading that is lower than the reading at sea level (a result of reduced partial pressure). A new span adjustment is recommended if the altitude or the ambient pressure is changed. The factory calibration is set to sea level.





5.2.3 Zero Adjustment

⚠ WARNING!

- Ambient air can be used to zero the sensor instead of nitrogen or synthetic air only if the area is known to be free of the target gas or any gas to which the sensor may be cross-sensitive (as listed on the sensor data sheet). In this case, no cylinder or calibration adapter is needed for the zero adjustment. For semiconductor sensors, you must use synthetic air only.
- For oxygen (O₂) and carbon dioxide (CO₂) sensors, use only nitrogen (N₂) gas.

Failure to follow these warnings can result in serious personal injury or death.

NOTE: A sensor must be re-zeroed if it shows underflow saturation.

- Enter the menu and select function F-02 Zero Sensor.
- Use [UP] / [DOWN] to select the sensor to be calibrated, then tap [ENTER].
- Apply “synthetic” air (i.e., 20.9% zero air) or nitrogen (see section 5.2.2 [General Procedure](#)) and tap [ENTER]. The display will show the current value blinking (e.g., “2”). The gas value may go negative. This is normal.
- Wait for the current gas concentration value to stabilize.
- Tap [ENTER] to save the calibration data.
- The instrument will indicate success status with a “PASS” display. Otherwise a “FAIL” message is displayed.
- Turn off gas flow and remove the calibration adapter from the sensor or disconnect the tubing.
- For oxygen, ensure that the concentration is above the displacement alarm thresholds.
- Tap [ENTER] to exit the function.

5.2.4 Span Adjustment

- Enter the menu and select function F-03 Span Sensor.
- Use [UP] / [DOWN] to select the sensor to be calibrated, then tap [ENTER].
- The last span gas concentration will be displayed.
- Use [UP] / [DOWN] to change the value to match the concentration of the calibration gas (in the units of the sensor – i.e., ppm, Vol %, %LEL, etc.), and tap [ENTER].
- Apply span gas (see section 5.2.2 [General Procedure](#)) and tap [ENTER].

- The display will show the current gas concentration value blinking in the units of the sensor – i.e., ppm, Vol %, %LEL, etc. (e.g., “100”).
- Wait for the current gas concentration value to stabilize.
- Tap [ENTER] to perform the calibration adjustment.
- The instrument will indicate success status with a “PASS” display. Otherwise a “FAIL” message is displayed.
- Turn off gas flow and remove the calibration adapter from the sensor or disconnect the tubing.
- Ensure that the concentration is below the alarm thresholds.
- For oxygen, ensure that the concentration is below the enrichment alarm thresholds.
- Tap [ENTER] to exit the function.

5.2.5 System Bump Test

A system bump test is a live test of a system to verify that the instrument responds to gas and that all connected alarm devices, controllers, etc. are operating appropriately. In this case, be sure to inform all involved persons about the test and that certain alarms might have to be inhibited (e.g., process shutdown, notification of authorities, etc.)

- Apply target gas; if required a sufficiently high concentration (low concentration for oxygen displacement) to trigger alarms.
- The display will show the current gas concentration value.
- Once the alarm thresholds are exceeded, verify that all designated gas alarm relays are activated and the analog and digital outputs properly transmitted the corresponding gas concentrations.
- Turn off gas flow and remove the calibration adapter from the sensor or disconnect the tubing.

5.3 Troubleshooting

5.3.1 Hexadecimal Format

All fault codes are shown in hexadecimal (hex) format. A hex digit can represent multiple codes as shown below.

Hex Code	Equivalent Error Code(s)	Hex Code	Equivalent Error Code(s)	Hex Code	Equivalent Error Code(s)	Hex Code	Equivalent Error Code(s)
0	0	4	4	8	8	C	4 + 8
1	1	5	1 + 4	9	1 + 8	D	1 + 4 + 8
2	2	6	1 + 2 + 3	A	2 + 8	E	2 + 4 + 8
3	1 + 2	7	1 + 2 + 4	B	1 + 2 + 8	F	1 + 2 + 4 + 8

5.3.2 Diagnostics Attributes

Attribute	Description
D-01	Reads the current instrument fault code xxxx:
	0000 = No faults
	0001 = Reported temperature outside operating range (Non-critical, E300)
	0002 = Master RX buffer full (Non-critical, E300)
	0004 = Slave RX buffer full (Non-critical, E300)
	0008 = CRC error in received packet (Non-critical, E300)
	0010 = CRC error in received packet (Non-critical, E300)
0020 = Packet timeout (Non-critical, E300)	

Attribute	Description
	0040 = Either Current loop open (Non-critical, E300) 0080 = Stuck key or magnetic switch (Non-critical, E300) 0100 = No registered sensors (Critical, E100) 0200 = Sensor 1 reporting a critical fault (Critical, E100) 0400 = Sensor 2 reporting a critical fault (Critical, E100) 0800 = Sensor 1 is registered, but not responding correctly or wrong sensor installed (Critical, E100) 1000 = Sensor 2 is registered, but not responding correctly or wrong sensor installed (Critical, E100) 2000 = Power supply voltage(s) out of range (Critical, E100) 4000 = MPU clock fault (Critical, E100) 8000 = Can't read EEPROM (Critical, E100) For more information on these faults, refer to table in section 5.3.3 Instrument Electronics Critical (E100) Faults and section 5.3.4 Non-Critical (E300) Faults . Refer to section 5.3.1 Hexadecimal Format for combined codes.
D-02	Displays the last fault that occurred since first start-up or since the data logger was last erased. See D-01 for more information. Tap [ENTER] to clear.
D-03	Supply voltage
D-04	Number of days since the last span calibration of Sensor 1. This value automatically resets to 0000 after completing a span adjustment via F-03.
D-05	Number of days since the last span calibration of Sensor 2. This value automatically resets to 0000 after completing a span adjustment via F-03.
D-06	Sensor 1 current fault code xxxx: 0000 = No faults 0001 = No sensor signal 0002 = Sensor board hardware fault 0004 = EEPROM checksum fault 0008 = Zero adjust out of range 0010 = Span adjustment out of range 0020 = Input voltage fault 0040 = Microprocessor fault 0080 = Software fault 0100 = RS485 receiver fault 0200 = RS485 checksum fault 0400 = Modbus fault 0800 = Temperature sensor fault 1000 = Temperature out of range fault 2000 = Analog front end communications fault 4000 = Negative gas concentration fault 8000 = Sensor configuration fault For more information on these faults, Refer to table in section 5.3.5 Sensor Faults . Refer to section 5.3.1 Hexadecimal Format for combined codes.

Attribute	Description
D-07	Sensor 1 last fault code. See D-07 list. To clear, see Diagnostics D-02.
D-08	Sensor 2 current fault code. Same as D-07. See D-07 list.
D-09	Sensor 2 last fault code. See D-07 list. To clear, see Diagnostics D-02.
D-10	Temperature of main electronics (in °C).

5.3.3 Instrument Electronics Critical (E100) Faults

Critical faults are indicated by “E 100” on the display. Critical faults indicate a functional problem that results in the gas detector no longer monitoring gas reliably. See D-01 and D-02.

Code	Critical Fault	Possible Causes	Remedy
0200	Sensor 1 critical fault	No sensor or defective sensor.	Add sensor. Replace sensor.
		Sensor removed and not deregistered.	Deregister sensor, then remove. See section 4.3.7 Deregister One Sensor (F-07) .
		Two with same node address.	De-register both sensors and re-register them one at a time. See section 4.3.8 De-register All Sensors and Reset Node Address (F-08) and section 4.3.6 Register Sensor (F-06) .
0400	Sensor 2 critical fault	Same as Sensor 1. See above.	Same as Sensor 1. See above.
0800	Sensor 1 error	Sensor is registered, but not responding correctly or the wrong sensor installed.	Sensor was removed. Replace sensor. Sensor was replaced without re-registration. Register sensor. See section 4.3.6 Register Sensor (F-06) .
1000	Sensor 2 error		
2000	One or more power supply voltages out of range	Input supply power to the MGS-550 is out of range.	Correct the input supply voltage to restore normal operation. See section 9.1 General Specifications .
4000	Micro-processor fault	Internal electronics hardware error.	Cycle power to the instrument.
8000	Can't read EEPROM		A possible hardware problem may exist. Contact the factory.

5.3.4 Non-Critical (E300) Faults

Non-critical faults are indicated by “E 300” on the display. Non-critical faults indicate issues such as environmental conditions being outside of specification, an installation error has occurred (wrong wiring, for example), and so on.

The gas detector will continue to monitor, but may produce less accurate readings and may not respond correctly to gas alarm events. A non-critical fault might not need immediate attention, but should be mitigated at the next scheduled maintenance (at the latest). See D-01 and D-02.

Code	Critical Fault	Possible Causes	Remedy
0001	Reported temperature outside operating range	Instrument temperature is outside specification	Verify that ambient air conditions are within specifications range for the instrument (see section 9.1 General Specifications) and for the sensor (see section 9.2 Sensor Specifications). Correct ambient air conditions.
0002	Master receiver buffer full	RS-485 Message too long for receiver buffer	Cycle power to the instrument. Cycle power to the PLC or control system (if applicable).

Code	Critical Fault	Possible Causes	Remedy
0004	Slave receiver buffer full		Verify proper shielding on network communications wiring. Refer to section 3.1 General Information for Installation and section 9.1 General Specifications for more information.
0008	Checksum (CRC) error in received packet	Transmission is corrupted (computed checksum doesn't match transmitted checksum)	Verify proper grounding of the communications wiring. Refer to section 3.4.5 Connecting One or More MGS-550s to an MSA Bacharach Controller .
0010	Checksum (CRC) error in received packet		Verify proper communications settings for the network. Refer to section 4.4.5 Modbus Configuration (MB-xx) for more information.
0020	Packet timeout	Modbus message was truncated or timed out early	A possible hardware problem may exist. Contact the factory.
0040	Either current loop open	Possible wiring, connection, and/or termination issue exists. Analog output is set to 4 to 20 mA and loop is open.	Wire pin 3 to 4 or pin 5 to 6 on analog output 4 to 20 mA terminal (see section 3.4.1 Preparations). Check the integrity of the 4 to 20 mA connections to the interface PCB.

5.3.5 Sensor Faults

NOTE: If a sensor fault occurs during a gas alarm condition, then the fault overrides the alarm condition for that sensor (i.e., the alarm state(s) for that sensor “de-assert” and the display shows “E 100”). Similarly, if a critical fault occurs, then all active alarm conditions will “de-assert”.

Sensor faults (for diagnostic attributes D-07 to D-10) may be decoded using the following table. Note that several faults may be reported at the same time (see section [5.3.1 Hexadecimal Format](#) for more information). For example, fault code “0003” is a combination of fault codes 0001 (No sensor signal) and 0002 (sensor board hardware fault). See D-07 through D-10.

NOTE: If a “last fault” attribute (D-08 or D-10) indicates that a fault has occurred at some point in time, but the corresponding “current fault” attribute (D-07 or D-09) shows no fault, then the problem has self-healed and no service action is required.

Code	Critical Fault	Possible Causes	Remedy
0000	No Fault		
0001	No sensor signal	Cannot detect sensor	Check all connections in the sensing head. Check connections to the interface board.
0002	Sensor board hardware fault	Cannot read EEPROM or analog front end	Check all connections in the sensing head.
0004	EEPROM checksum fault	Error reading EEPROM	Replace sensor module.
0008	Zero adjust out of range	Field zero adjustment exceeds limits	Perform zero adjustment
0010	Span adjustment out of range	Field span adjustment exceeds limits	Perform span adjustment
0020	Input voltage fault	Power supply voltage out of range	Call service
0040	Microprocessor fault	MPU clock fault	Call service

Code	Critical Fault	Possible Causes	Remedy
0080	Software fault	Firmware error	Power-cycle. If it re-occurs then call service
0100	RS485 receiver fault	Receiver buffer full (message too long to receive buffer)	Power-cycle. If it re-occurs then call service
0200	RS485 checksum fault	Checksum error in received packet	Power-cycle. If it re-occurs then call service
0400	Modbus fault	Packet timeout. Modbus message truncated or timed out early	Power-cycle. If it re-occurs then call service
0800	Temperature sensor fault	Temperature sensor disconnected or no valid reading	Check connection to sensor PCB
1000	Temperature out of range fault	Temperature out of range	Confirm that sensing head is operating within specifications
2000	Analog front end communications fault	EC analog front end failure	Replace sensor module
4000	Negative gas concentration fault	Sensor has drifted too negative	Perform zero and span calibration
8000	Sensor configuration fault	General error in sensor configuration	Replace sensor module

5.4 Sensor Maintenance

5.4.1 Components Overview

CAUTION!

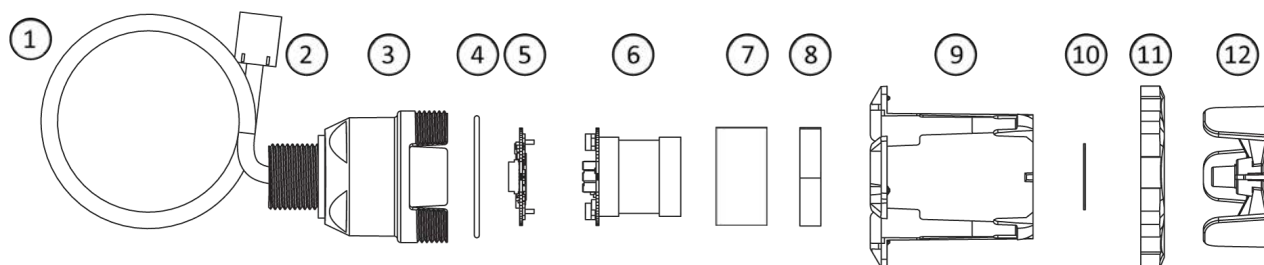
This product uses semiconductors which can be damaged by electrostatic discharge (ESD). When handling the PCB, care must be taken so that the electronics are not damaged.

Failure to follow this caution can result in minor or moderate injury.

NOTE: If the instrument has two sensors installed, and both sensors, modules or heads should be replaced, then replace and register them one at a time. Failing to do so might cause a fault. Observe the sensor type (target gas, measuring range) and replace the sensor with the same type.

If sensors should be replaced with different types, be sure to de-register the sensor(s) first, and then register them one at a time. Refer to the following sections:

- [4.3.8 De-register All Sensors and Reset Node Address \(F-08\)](#)
- [4.3.7 De-register One Sensor \(F-07\)](#)
- [4.3.6 Register Sensor \(F-06\)](#)



Item	Description	Replacement Instructions
1	Sensor cable	See figure above
2	Sensor connector	See figure above
3	Sensing head base	See figure above
4	O-ring	See figure above
5	Sensor control board	5.4.3 Replacing the Sensor Control Board
6	Sensor module (sensor plus PCB)	5.4.2 Replacing the Sensor Module
7	Optional spacer	See figure above (used with SC combustible and SC VOC sensors)
8	Foam sensor gasket	See figure above
9	Sensing head cap	See figure above
10	Permeable membrane	See figure above
11	Lock nut (M40 X 1.5)	See figure above
12	Splash guard	See figure above
1-12	Entire Assy (Local)	5.4.4 Replacing the Local Sensing Head Assembly
1-12	Entire Assy (Remote)	5.4.6 Replacing the Remote Sensing Head Assembly

5.4.2 Replacing the Sensor Module

See illustration in [5.4.1 Components Overview](#).

1. Power down the instrument.
2. Unscrew M40 locknut (item 10).
3. Pull sensor cap (item 9) down.
4. Remove sensor spacer (optional on certain sensors) if it is in place.
5. Remove foam gasket (item 8) if it is adhered to the sensor module.
6. Remove the sensor module (item 6) from sensor control board (item 5).
7. With flat edges of PCBs aligned, plug new sensor module into sensor control board.
8. Ensure that the spacer (optional item 7 on certain sensors), is in place (if applicable).
9. Ensure that the round foam gasket is in place and not deformed.
10. Slide the sensing head cap back on the sensing head base.
11. Ensure that O-Ring (item 4) is in place.
12. Screw locknut back on until it clicks three times (hand tight) while compressing the sensor cap against the base.
13. Power-up the instrument.
14. Verify calibration.



5.4.3 Replacing the Sensor Control Board

See illustration in section [5.4.1 Components Overview](#).

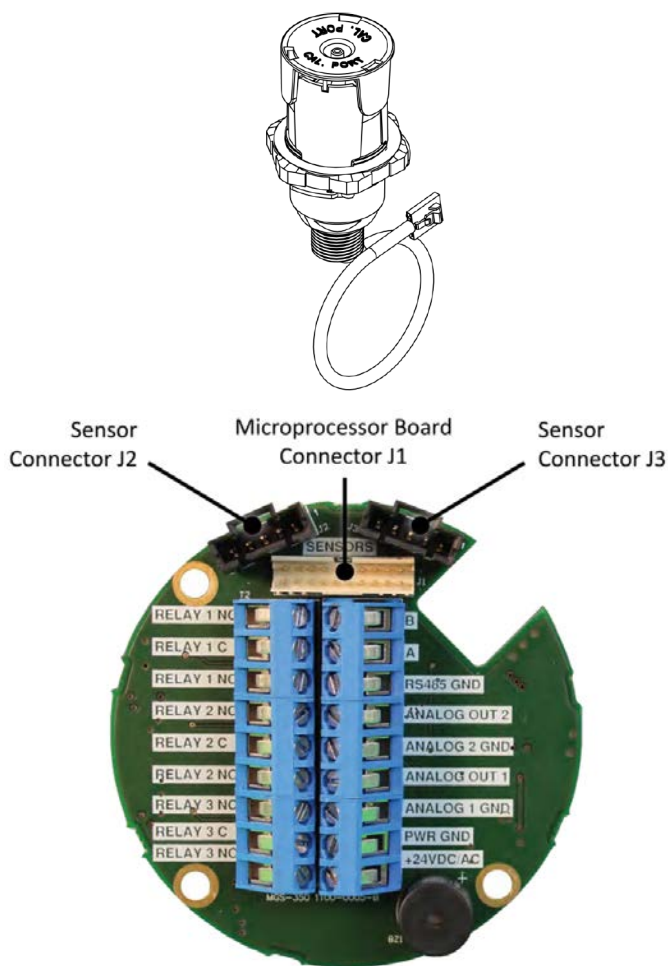
1. Power down the instrument.
2. Unscrew M40 locknut (item 10).
3. Pull sensor cap (item 8) down.
4. Remove sensor spacer (optional on certain sensors) , if it is in place (if applicable).
5. Remove foam gasket (item 7) if it is adhered to the sensor module.
6. Pull out sensor and PCB stack (items 5 and 6) from the sensing head base (item 3).
7. Remove sensor control board (item 5) from sensor module (item 6).
8. With flat edges of PCBs aligned, plug new sensor module into sensor control board.
9. Plug PCB stack with sensor back into sensing head base.
10. Ensure that the spacer (optional on certain sensors) is in place (if applicable).
11. Ensure that the round foam gasket is in place and not deformed.
12. Slide the sensing head cap back on the sensing head base.
13. Ensure that O-Ring (item 4) is in place.
14. Screw locknut back on until it clicks three times (hand tight) while compressing the sensor cap against the base.
15. Power-up the instrument. Replacing the sensor control board requires sensor registration. See section [4.3.6 Register Sensor \(F-06\)](#).
16. Verify calibration.



5.4.4 Replacing the Local Sensing Head Assembly

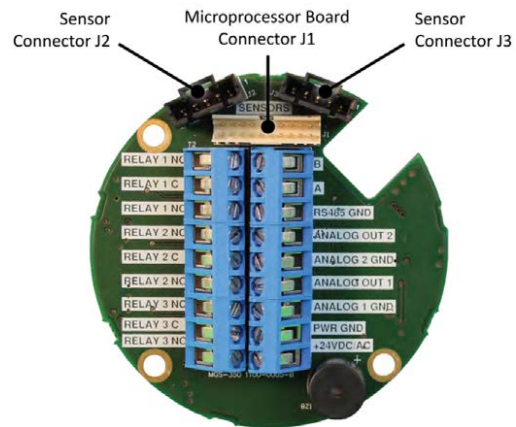
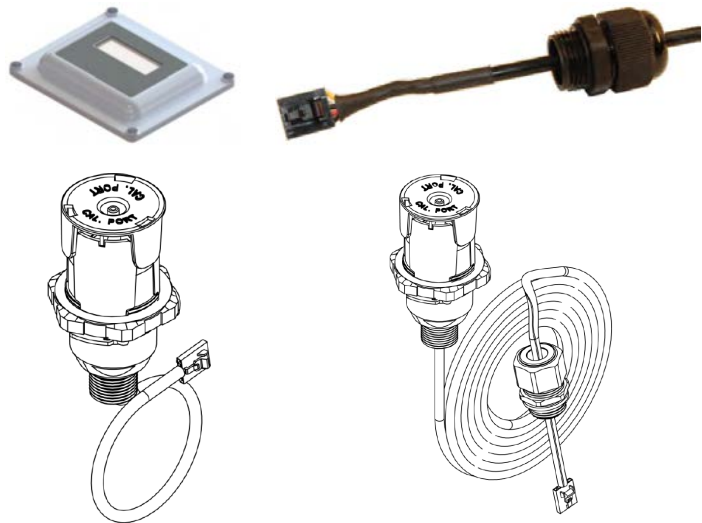
See illustration in section [5.4.1 Components Overview](#).

1. Deregister the old sensor (see section [4.3.7 Deregister One Sensor \(F-07\)](#)).
2. Power down the instrument.
3. Loosen the six screws of the lid using an M5 hex key and remove the lid.
4. Unplug the old sensing head.
5. Unscrew the old sensing head.
6. Screw sensing head with attached gasket into the housing and tighten (maintain IP rating).
7. Plug new sensing head connector into socket.
8. Place bezel back into the enclosure and secure with the three screws to the standoffs.
9. Put lid back on and tighten the six screws.
10. Power-up instrument.
11. The instrument will prompt to start the sensor registration (e.g., "rEg 1"). Acknowledge with [ENTER]. The instrument will then indicate successful registration (e.g., "PASS 1").



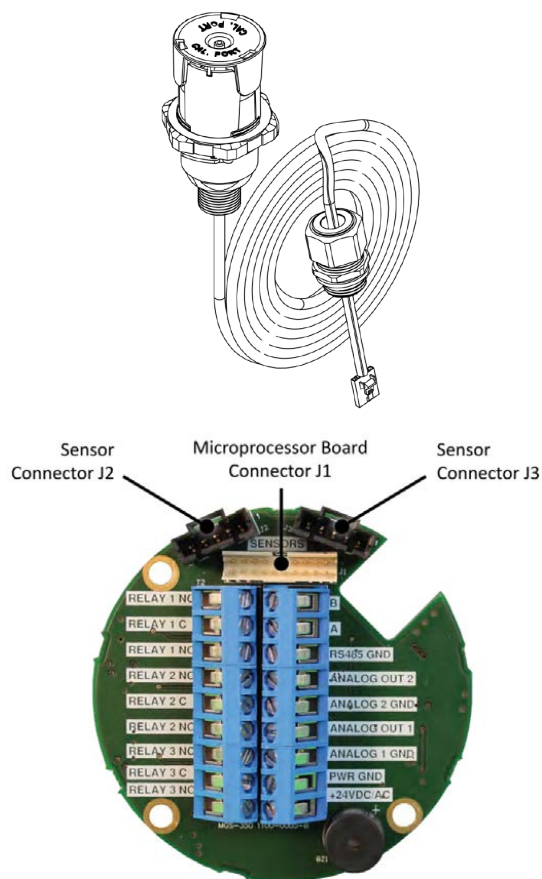
5.4.5 Adding a Second Sensor

1. Power down the instrument.
2. Open the housing. Loosen the six screws of the lid using an M5 hex key and remove the lid.
3. Remove an unused plug from the enclosure, if necessary.
4. Feed the connector end of the sensor assembly into the enclosure.
5. Screw cable gland with attached gasket into the housing and tighten (maintain IP rating).
6. Plug the new sensing head connector into the open sensor connector socket on the interface board.
7. Place the bezel back into the enclosure and secure with the three screws to the standoffs.
8. Replace the enclosure lid as appropriate.
9. Power-up the instrument.
10. The instrument will prompt to start the sensor registration (e.g., "rEg 2"). Acknowledge with [ENTER]. The instrument will then indicate successful registration (e.g., "PASS 2").



5.4.6 Replacing the Remote Sensing Head Assembly

See illustration in section [5.4.1 Components Overview](#).



1. Power down the instrument.
2. Loosen the six screws of the lid using an M5 hex key and remove the lid.
3. Unplug the old sensing head.
4. Unscrew cable gland of old sensing head and remove.
5. Screw cable gland into the housing and tighten (maintain IP rating).
6. Plug new sensing head connector into socket.
7. Place bezel back into the enclosure and secure with the three screws to the standoffs.
8. Put lid back on and tighten the six screws.
9. Power-up instrument.
10. The instrument will prompt to start the sensor registration (e.g., "rEg 1"). Acknowledge with [ENTER]. The instrument will then indicate successful registration (e.g., "PASS 1").



5.5 Replacing the Instrument Electronics

⚠ CAUTION!

This product uses semiconductors which can be damaged by electrostatic discharge (ESD). When handling the PCB, care must be taken so that the electronics are not damaged.

Failure to follow this caution can result in minor or moderate injury.

1. The user should note parameters, settings such as alarm setpoints, relay configurations, etc., as the unit will have factory settings after replacement of the processor board.
2. Power down the instrument.
3. Remove the housing lid.

Loosen the six screws of the lid using an M5 hex key and remove the lid.

4. Unplug ribbon cable from Interface Board.
5. Attach bezel to new Processor Board.
6. Plug ribbon cable of new Processor Board into socket of Interface Board.
7. Place bezel (and attached Processor Board) back into the enclosure and secure with the three screws to the standoffs.
8. Power-up instrument.

9. Register the sensor(s) (both sequentially, if applicable). See section [4.3.6 Register Sensor \(F-06\)](#).
10. Place bezel back into the enclosure and secure with the three screws to the standoffs.
11. Replace the housing lid (maintain IP rating). Tighten the six screws of the lid using an M5 hex key.
12. Check settings of the parameters (see section [4.4 Parameters](#)), perform an instrument test (see section [4.3.4 Instrument Test \(F-04\)](#)), and check calibration (see section [5.2.4 Span Adjustment](#)).



5.6 Replacing the Interface Board

⚠ CAUTION!

This product uses semiconductors which can be damaged by electrostatic discharge (ESD). When handling the PCB, care must be taken so that the electronics are not damaged.

Failure to follow this caution can result in minor or moderate injury.

1. Power down the instrument.
2. Remove the housing lid. Loosen the six screws of the lid using an M5 hex key and remove the lid.
3. Unplug ribbon cable from Interface Board.
4. Label all connected wires, then disconnect all interface board wiring.
5. Using a #4 Torx head screwdriver or Torx key, loosen the screws that hold the Interface Board in place. Remove the Interface Board from the enclosure.
6. Replace the old Interface Board with the new one.
7. Secure the Interface Board to the enclosure by reversing the previous removal procedure.
8. With the Interface Board in place, re-attach the wiring using the labels from the earlier step.
9. Replace the housing lid. Tighten the six screws of the lid using an M5 hex key.
10. Power up the instrument and verify proper operation.
11. Register sensors. See section [4.3.6 Register Sensor \(F-06\)](#).



5.7 Cleaning the Instrument

Clean the instrument with a soft cloth using water and a mild detergent. Rinse with water.

6 Factory Default Settings

Parameter	Name	Factory Default	Changed To
S1-01	Sensor 1 Gas Name	Sensor dependent	
S1-02	Sensor 1 UID	5-digits, alphanumeric	
S1-03	Sensor 1 Low Alarm ppb/ppm/%LEL/Vol%	Sensor dependent	
S1-04	Sensor 1 Medium Alarm ppb/ppm/%LEL/Vol%	Sensor dependent	
S1-05	Sensor 1 High Alarm ppb/ppm/%LEL/Vol%	Sensor dependent	
S1-06	Sensor 1 Low Alarm Behavior	2 = non-latching, acknowledgeable	
S1-07	Sensor 1 Medium Alarm Behavior	3 = latching, not acknowledgeable	
S1-08	Sensor 1 High Alarm Behavior	3 = latching, not acknowledgeable	
S1-09	Sensor 1 Type Code	4-digit, alphanumeric	
S1-10	Sensor 1 Units	Sensor dependent	
S1-11	Sensor 1 Full Scale	Sensor dependent	
S1-12	Sensor 1 Test Flag	0 = sensor OK	
S2-01	Sensor 2 Gas Name	Sensor dependent	
S2-02	Sensor 2 UID	5-digits, alphanumeric	
S2-03	Sensor 2 Low Alarm ppb/ppm/%LEL/Vol%	Sensor dependent	
S2-04	Sensor 2 Medium Alarm ppb/ppm/%LEL/Vol%	Sensor dependent	
S2-05	Sensor 2 High Alarm ppb/ppm/%LEL/Vol%	Sensor dependent	
S2-06	Sensor 2 Low Alarm Behavior	2 = non-latching, acknowledgeable	
S2-07	Sensor 2 Medium Alarm Behavior	3 = latching, not acknowledgeable	
S2-08	Sensor 2 High Alarm Behavior	3 = latching, not acknowledgeable	
S2-09	Sensor 2 Type Code	4-digit, alphanumeric	
S2-10	Sensor 2 Units	Sensor dependent	
S2-11	Sensor 2 Full Scale	Sensor dependent	
S2-12	Sensor 2 Test Flag	0 = sensor OK	
R1-01	Relay 1 Contact Behavior / Failsafe	0 = normally open	
R1-02	Relay 1 Source	1-Sensor system = 01	
R2-01	Relay 2 Contact Behavior / Failsafe	0 = normally open	
R2-02	Relay 2 Source	1-Sensor system = 02	
R3-01	Relay 3 Contact Behavior / Failsafe	0 = normally open	
R3-02	Relay 3 Source	1-Sensor system = 04	
AF-01	Alarm ON Delay Value	00 = no delay	
AF-02	Alarm OFF Delay Value	00 = no delay	
AF-03	Critical Fault Latching	1 = latching	
AF-04	Alarm Acknowledge Timeout	59 minutes	
A1-01	Analog Output 1 Source	1 = Sensor 1	
A1-02	Analog Output 1 Type	4 = 4 – 20 mA	

Parameter	Name	Factory Default	Changed To
A1-03	Analog Output 1 Scaling	100% = full scale	
A1-04	Analog Output 1 Offset	0 = no offset	
A2-01	Analog Output 2 Source	1 = Sensor 1	
A2-02	Analog Output 2 Type	4 = 4 – 20 mA	
A2-03	Analog Output 2 Scaling	100% = full scale	
A2-04	Analog Output 2 Offset	0 = no offset	
MB-01	Modbus Node Address	001	
MB-02	RS-485 Baud Rate	0 = 9600	
MB-03	RS-485 Stop Bits	1	
MB-04	RS-485 Parity	0 = None	
MB-05	Modbus slave termination	0 = Out	
P1-01	Display Mode	1 = On	
B1-01	Buzzer enable and source	14 = any alarm or sensor fault or critical instrument fault	

7 Sensor Principle

7.1 Electrochemical Sensors

Electrochemical sensors measure the partial pressure of gases under atmospheric conditions. The monitored ambient air diffuses through a membrane into the liquid electrolyte in the sensor. The electrolyte contains a measuring electrode, a counter-electrode and a reference electrode. An electronic “potentiostat” circuit ensures a constant electrical voltage between measuring electrode and reference electrode. Voltage, electrolyte, and electrode material are selected to suit the gas being monitored so that it is transformed electrochemically on the measuring electrode and a current flows through the sensor. This current is proportional to the gas concentration. At the same time, oxygen from the ambient air reacts at the counter electrode electrochemically. The current flowing through the sensor is amplified electronically, digitized and corrected for several parameters (e.g., the ambient temperature).

7.2 Catalytic Bead Sensors

A catalytic bead sensor measures the partial pressure of combustible gases and vapors in ambient air. It uses the heat-of-combustion principle.

The monitored air diffuses through the sintered metal disc into the sensor. The mixture of combustible gases, vapors, and air are catalytically combusted at a heated detector element (called a pellistor). The oxygen content in the air must be greater than 12 Vol%. Due to the resulting heat-of-combustion, the temperature of the detector element rises. This increase in temperature causes a change of resistance in the detector element, which is proportional to the concentration of the mixture of combustible gases and vapors in the monitored air. In addition to the catalytically active detector element, there is a compensator element. Both elements are parts of a Wheatstone bridge. Thus environmental effects like changes in ambient temperature or humidity are almost entirely compensated.

Certain substances in the atmosphere to be monitored may impair the sensitivity of the sensors. Such substances include, but are not limited to:

1. Polymerizing substances such as acrylonitrile, butadiene and styrene,
 2. Corrosive compounds such as halogenated hydrocarbons (releasing halogens such as bromine, chlorine or fluorine when oxidized) and halogen hydride acids as well as acidic gaseous compounds such as sulfur dioxide and nitrogen oxides,
 3. Catalyst poisons such as sulfurous and phosphorous compounds, silicon compounds (especially silicones), and metal-organic vapors.
-

8 Disposing of the Instrument

It may be necessary to check the calibration if the sensor has been exposed for a long time to a high concentration of flammable gases, vapors, or the above-mentioned contaminating substances.

7.3 Semiconductor Sensors

Semiconductor or metallic oxide sensors (MOSs) are among the most versatile of all broad-range sensors. They can be used to detect a variety of gases and vapors in low ppm or even combustible ranges. The sensor is made up of a mixture of metallic oxides. They are heated to a temperature between 150° and 300° C depending on the gas(es) to be detected. The temperature of operation as well as the “recipe” of mixed oxides determines the sensor selectivity to various toxic gases, vapors, and refrigerants. Electrical conductivity greatly increases as soon as a diffusion process allows the gas or vapor molecules to come in contact with the sensor surface. Water vapor, high ambient humidity, temperature fluctuations, and low oxygen levels can result in higher readings.

Certain substances in the environment to be monitored may impair the sensitivity of the sensors:



1. Materials containing silicone or silicone rubber/putty
2. Corrosive gases such as hydrogen sulfide, sulfur oxide, chlorine, hydrogen chloride, etc.
3. Alkaline metals, salt water spray.

7.4 Infrared Sensors

The infrared (IR) gas sensor is designed to measure the concentration of combustible gases and vapors in the ambient air. The sensor principle is based on the concentration-dependent absorption of infrared radiation in measured gases.

The monitored ambient air diffuses through a sintered metal material into the housing of an optical “bench”. The broadband light emitted by an IR source passes through the gas in the optical bench and is reflected by the walls from where it is directed towards a dual-element detector. One channel of the detector measures the gas-dependent light transmission, while the other channel is used as a reference. The ratio between measurement and reference signal is used to determine the gas concentration. Internal electronics and software calculate the concentration and produce an output signal.

8 Disposing of the Instrument

8.1 Disposing of Electrical and Electronic Equipment



EU-wide regulations governing the disposal of electrical and electronic appliances which have been defined in the EU Directive 2012/19/EU and in national laws have been effective since August 2012 and apply to this device.

Common household appliances can be disposed of using special collecting and recycling facilities. However, this device has not been registered for household usage. Therefore it must not be disposed of through these channels. The device can be returned to your national MSA Bacharach Sales Organization for disposal. Please do not hesitate to contact MSA Bacharach if you have any further questions on this issue.

8.2 Disposing of Electrochemical Sensors

Dispose of sensors in accordance with local laws.

WARNING!



- **EXPLOSION DANGER!** Do not dispose of sensors in fire due to the risk of explosion and resulting chemical burns.
- Do not force open electrochemical sensors.
- Observe the applicable local waste disposal regulations. For information, consult your local environmental agency, local government offices or appropriate waste disposal companies.

Failure to follow these warnings can result in serious personal injury or death.

9 Technical Data

9.1 General Specifications

Category	Specifications		
Signals to Central Controller	Analog Current	Normal operation:	4 to 20 mA
		Drift below zero:	3.8 mA
		Measuring range exceeded:	20.5 mA
		Instrument fault:	≤ 1.2 mA
		Fault on analog interface:	> 21 mA
		Offline mode / Maintenance signal:	3 mA steady signal
	Analog Voltage	0 to 5 V; 1 to 5 V; 0 to 10 V; 2 to 10 V (selectable)	
		During fault condition, 1 to 5 V and 2 to 10 V outputs are 0 V.	
	Modbus RTU over RS-485	Baud rate:	9,600 or 19,200 (selectable)
		Start bits:	1
Data bits:		8	
Parity:		None, odd, even (selectable)	
Stop bits:		1 or 2 (selectable)	
Retry time:		500 ms, min time between retries	
Power Supply and Relays	End of message:	Silent 3.5 characters	
	Operating Voltage	19.5 to 28.5 VDC; 24 VAC ± 20%, 50/60 Hz	
	Power Monitoring	Green LED	
	Inrush Current	1.5 A	
	Operating current, max.	330 mA at 24 VDC	
	Relay rating	3 SPDT, arbitrary designation 1 A at 24 VAC/VDC, 0.5 A at 125 VAC, resistive load	
	Audible alarm	Internal Buzzer ≥85 dB at 4" (10 cm); open enclosure	
Alarm delay	0 to 15 minutes (selectable)		
Wiring	Power and analog signal	2-, 3-, 4-, or 6-core shielded cable, 16 to 20 AWG (0.5 to 1.5 mm ²)	
	Modbus network	2-core twisted pair shielded cable 16 to 20 AWG (0.5 to	

Category	Specifications	
		1.5 mm ²) with 120 Ohm characteristic impedance
	Cable gland	6 cable glands M16 (4-8 mm) cable outer diameter
Physical Specifications	Enclosure and sensor housing	ABS
	Enclosure protection	IP66
	Display	5 digit, 7 segment LED
	Enclosure Size (WxHxD) (Approx.)	210x225x85 mm (8.3x8.9x3.1 in)
Environmental	Temperature	- 40 to 120 °F (-40 to 50 °C)
	Storage temperature	- 5 to 100 °F (-20 to 40 °C)
	Humidity	5 to 90 %RH, non-condensing
	Pressure	20.7 to 38.4 in. of Hg (700 to 1300 hPa)
	Elevation	0 to 10,000 ft. (3050 m) altitude
	Sensors	See Section 9.2 Sensor Specifications
	Influences	For influences on the measurement performance and restrictions of a particular sensor see sensor data sheet.
Agency Approvals	CE, UL/CSA/IEC/EN 61010-1	
Company Certifications	<p>USA Certification (for units assembled in USA): MSA Bacharach (USA) is a TÜV-SÜD certified company. Ireland Certification (for units assembled in Ireland): Murco (a Bacharach Company) is an NSAI certified company.</p>	 

9.2 Sensor Specifications

EC Sensors	Formula	Measure Range(s)
Ammonia	NH ₃	0 to 100, 0 to 1,000, 0 to 5,000 ppm
Carbon Monoxide	CO	0 to 1,000 ppm
Chlorine ¹	Cl ₂	0 to 10 ppm
Fluorine ¹	F ₂	0 to 1 ppm
Hydrogen	H ₂	0 to 10,000 ppm
Hydrogen Chloride ¹	HCl	0 to 10 ppm
Hydrogen Cyanide	HCN	0 to 30 ppm
Hydrogen Sulfide	H ₂ S	0 to 100 ppm
Nitrogen Dioxide	NO ₂	0 to 20 ppm
Oxygen	O ₂	0 to 30 Vol%
Ozone ¹	O ₃	0 to 1 ppm
Sulfure Dioxide	SO ₂	0 to 10 ppm

¹ No IP rating

IR Sensors	Formula	Measure Range(s)
Carbon Dioxide	CO ₂	0 to 5,000 ppm = 0 to 0.5 Vol%
		0 to 10,000 ppm = 0 to 1 Vol%
		0 to 20,000 ppm = 0 to 2 Vol%
		0 to 30,000 ppm = 0 to 3 Vol%
		0 to 40,000 ppm = 0 to 4 Vol%
		0 to 50,000 ppm = 0 to 5 Vol%
Hydrocarbons (Butane, Methane, and Propane)	C ₄ H ₁₀	0 to 100 %LEL
	CH ₄	0 to 100 %LEL
	C ₃ H ₈	0 to 100 %LEL

CAT Sensors	Formula	Measuring Range
Combustible Gasses (including Ammonia)	Various	0 to 100 %LEL

SC Sensors	Typical Example Gases	Measure Range
HFCs	R134a, R404A, R407C, R410A, R507	0 to 1,000, 0 to 10,000 ppm
HCFCs and HFOs	R22	0 to 1,000, 0 to 10,000 ppm
	R1234YF	0 to 1,000 ppm
	R1234ZE	0 to 1,000, 0 to 10,000 ppm
	R-448a, R-449a, R-452a, R-513a	0 to 1,000 ppm
Hydrocarbons	Methane (Natural gas), Propane, Butane, Iso-Butane, Ethylene	0 to 5,000 ppm (SC Ethylene is 0 to 2,000 ppm)
Ammonia	NH ₃	0 to 10,000 ppm
Hydrogen	H ₂	0 to 5,000 ppm
VOCs	Acetone, Chloroform, Ethanol, Methanol, Methylene Chloride, Ethylene Chloride	0 to 1,000 ppm

9.3 Modbus Registers

NOTE: If items span two registers (e.g., 30024 and 30025), then the registers are “long” or “float” data types. Otherwise the registers are integer data types or ASCII.

NOTE: If a sensor is not registered, then reading from a Modbus register associated with that sensor will generate a Modbus exception.

9.3.1 Analog Input Registers

Analog input registers are read only and use Modbus function code 04 (Read Input Register).

Reg	Description	Range	Units	Param
30001	16-bit Current Fault Code Instrument electronics	See 5.3.4 Non-Critical (E300) Faults and 5.3.3 Instrument Electronics Critical (E100) Faults	-	D-01
30002	16-bit Last Fault Code Instrument electronics		-	D-02
30003	Software Version Instrument electronics	-	-	-
30004	Reserved	-	-	-

9 Technical Data

Reg	Description	Range	Units	Param
- 30010				
30011	Sensor 1 Type Code	-	-	S1-09
30012	Display units sensor 1	1 = ppm 2 = ppb 3 = Vol% 4 = %LEL	-	S1-10
30013	Full Scale in ppb, ppm, %LEL or Vol% Sensor 1 (Note: %LEL and Vol% sensors are always displayed as "x 10" the actual value. For example, a reading of "205" is "20.5%.")	0 to 65535	Unit dependent	S1-11
30014	Sensor 1 Gas Type Text Char 1, 2	0 to 9; a to z	ASCII Text	S1-01
30015	Sensor 1 Gas Type Text Char 3, 4	0 to 9; a to z	ASCII Text	
30016	Sensor 1 Gas Type Text Char 5, NULL	0 to 9; a to z	ASCII Text	
30017	%LEL/Vol% Conversion Factor * 10 Sensor 1. This is the factor to convert the integer gas output level from %LEL or Vol% to ppm.	0 to 65535	Unit dependent	-
30018	Alarm Low Set-Point Sensor 1	0 to 100	% Full scale	S1-03
30019	Alarm Medium Set-Point Sensor 1	0 to 100	% Full scale	S1-04
30020	Alarm High Set-Point Sensor 1	0 to 100	% Full scale	S1-05
30021	Concentration ppb, ppm, %LEL or Vol% Sensor 1 (Note: %LEL and Vol% sensors are always displayed as "x 10" the actual value. For example, a reading of "205" is "20.5%.") Units are in register 30012.	0 to 65535	Unit dependent	-
30022	Concentration Sensor 1	0 to 100	% Full Scale	-
30023	Sensor timer Sensor 1	0 to 65535	Hours	-
30024	ppm Hours Sensor 1 (upper long integer)	-	ppm Hours	-
30025	ppm Hours Sensor 1 (lower long integer)			
30026	Temperature Deg C Sensor 1 NOTE: Sensor PCB temp, not gas temp	-40 to +80	°C	-
30027	16 bit Fault Code Sensor 1	See 5.3.5 Sensor Faults	-	D-07
30028	Sensor 1 Instrument electronics UID Char 1,2	0 to 9; a to z	ASCII Text	S1-02
30029	Sensor 1 Instrument electronics UID Char 3,4	0 to 9; a to z	ASCII Text	
30030	Sensor 1 Instrument electronics UID Char 5,NULL	0 to 9; a to z	ASCII Text	
30031	Sensor 2 Type Code	-	-	S2-09
30032	Display units Sensor 2	1 = ppm 2 = ppb 3 = Vol% 4 = %LEL	-	S2-10
30033	Full Scale in ppb, ppm, %LEL or Vol% Sensor 2. (Note:	0 to 65535	Unit	S2-11

Reg	Description	Range	Units	Param
	% LEL and Vol% sensors are always displayed as "x 10" the actual value. For example, a reading of "205" is "20.5%".)		dependent	
30034	Sensor 2 Gas Type Text Char 1,2	0 to 9; a to z	ASCII Text	S2-01
30035	Sensor 2 Gas Type Text Char 3,4	0 to 9; a to z	ASCII Text	
30036	Sensor 2 Gas Type Text Char 5,NULL	0 to 9; a to z	ASCII Text	
30037	%LEL/Vol% Conversion Factor * 10 Sensor 2. This is the factor to convert the integer gas output level from %LEL or Vol% to ppm.	0 to 65535	Unit dependent	-
30038	Alarm Low Set-Point Sensor 2	0 to 100	% Full scale	-
30039	Alarm Medium Set-Point Sensor 2			-
30040	Alarm High Set-Point Sensor 2			-
30041	Concentration ppb, ppm, %LEL or Vol% Sensor 2. (Note: % LEL and Vol% sensors are always displayed as "x 10" the actual value. For example, a reading of "205" is "20.5%".)	0 to 65535	Unit dependent	-
30042	Concentration Sensor 2	0 to 100	% Full Scale	-
30043	Sensor timer Sensor 2	0 to 65535	Hours	-
30044	ppm Hours Sensor 2 (upper long integer)	-	ppm Hours	-
30045	ppm Hours Sensor 2 (lower long integer)			
30046	Temperature Deg C Sensor 2	-40 to +80	°C	-
30047	16-bit Fault Code Sensor 2	See 5.3.5 Sensor Faults	-	D-09
30048	Sensor 2 Instrument electronics UID Char 1,2	0 to 9; a to z	ASCII Text	S2-02
30049	Sensor 2 Instrument electronics UID Char 3,4	0 to 9; a to z	ASCII Text	
30050	Sensor 2 Instrument electronics UID Char 5,NULL	0 to 9; a to z	ASCII Text	
30051	Sensor 1 Module SID Char 1,2	0 to 9; a to z	ASCII Text	-
30052	Sensor 1 Module SID Char 3,4	0 to 9; a to z	ASCII Text	
30053	Sensor 1 Module SID Char 5,NULL	0 to 9; a to z	ASCII Text	
30054	Sensor 2 Module SID Char 1,2	0 to 9; a to z	ASCII Text	-
30055	Sensor 2 Module SID Char 3,4	0 to 9; a to z	ASCII Text	
30056	Sensor 2 Module SID Char 5,NULL	0 to 9; a to z	ASCII Text	

9.3.2 Analog Output Registers

Analog output registers are readable (using function code 03) and writable (using function code 06).

Reg	Description	Range	Units	Param
40001	Display Mode	0=Off, 1=On	-	P1-01
40002	RS-485 Node Address	1 to 250	-	MB-01
40003	Baud Rate	0=9600, 1=19200	-	MB-02
40004	Stop Bits	1 or 2	-	MB-03
40005	Parity	0=None, 1=Odd, 2=Even	-	MB-04
40006	Alarm Delay ON Value	00 to 15	Minutes	AF-01

9 Technical Data

Reg	Description	Range	Units	Param
40007	Alarm Delay OFF Value	00 to 15	Minutes	AF-02
40008	Controller UID Char 1,2	0 to 9; a to z	ASCII Text	
40009	Controller UID Char 3,4	0 to 9; a to z	ASCII Text	
40010	Controller UID Char 5,NULL	0 to 9; a to z	ASCII Text	
40011	Sensor 1 Low Alarm ppb, ppm, %LEL or Vol%. (Note: % LEL and Vol% sensors are always displayed as "x 10" the actual value. For example, a reading of "205" is "20.5%.")	0 to sensor full scale	Unit dependent	S1-03
40012	Sensor 1 Med Alarm ppb, ppm, %LEL or Vol%. (Note: % LEL and Vol% sensors are always displayed as "x 10" the actual value. For example, a reading of "205" is "20.5%.")	0 to sensor full scale	Unit dependent	S1-04
40013	Sensor 1 High Alarm ppb, ppm, %LEL or Vol%. (Note: % LEL and Vol% sensors are always displayed as "x 10" the actual value. For example, a reading of "205" is "20.5%.")	0 to sensor full scale	Unit dependent	S1-05
40014	Sensor 1 Low Alarm Behavior			S1-06
40015	Sensor 1 Medium Behavior			S1-07
40016	Sensor 1 High Behavior			S1-08
40017	Sensor 2 Low Alarm ppb, ppm, %LEL or Vol%. (Note: % LEL and Vol% sensors are always displayed as "x 10" the actual value. For example, a reading of "205" is "20.5%.")	0 to sensor full scale	Unit dependent	S2-03
40018	Sensor 2 Med Alarm ppb, ppm, %LEL or Vol%. (Note: % LEL and Vol% sensors are always displayed as "x 10" the actual value. For example, a reading of "205" is "20.5%.")	0 to sensor full scale	Unit dependent	S2-04
40019	Sensor 2 High Alarm ppb, ppm, %LEL or Vol%. (Note: % LEL and Vol% sensors are always displayed as "x 10" the actual value. For example, a reading of "205" is "20.5%.")	0 to sensor full scale	Unit dependent	S2-05
40020	Sensor 2 Low Alarm Behavior			S2-06
40021	Sensor 2 Medium Behavior			S2-07
40022	Sensor 2 High Behavior			S2-08
40023	Analog Output 1 Source	1 = Sensor 1 2 = Sensor 2	-	A1-01
40024	Analog Output 1 Type	0 = 0 to 5 V 1 = 1 to 5 2 = 0 to 10 V 3 = 2 to 10 V 4 = 4 to 20 mA	-	A1-02
40025	Analog Output 1 Scaling	20% to 100% of full scale	%	A1-03
40026	Analog Output 1 Offset	±410 (can take an output below zero)	410 = 10% of full scale	A1-04
40027	Analog Output 1 Full Scale PPM			

Reg	Description	Range	Units	Param
40028	Analog Output 2 Source	1 = Sensor 1 2 = Sensor 2	-	A2-01
40029	Analog Output 2 Type	0 = 0 to 5 V 1 = 1 to 5 2 = 0 to 10 V 3 = 2 to 10 V 4 = 4 to 20 mA	-	A2-02
40030	Analog Output 2 Scaling	20% to 100% of full scale	%	A2-03
40031	Analog Output 2 Offset	±410 (can take an output below zero)	410 = 10% of full scale	A2-04
40032	Analog Output 2 Full Scale PPM			
40033	Relay 1 Contact Behavior/Failsafe	0 = NO 1 = Failsafe	-	R1-01
40034	Relay 2 Contact Behavior/Failsafe	0 = NO 1 = Failsafe	-	R2-01
40035	Relay 3 Contact Behavior/Failsafe	0 = NO 1 = Failsafe	-	R3-01
40036	Relay 1 Source	4.4.2 Relay Designation (RX-xx)	-	R1-02
40037	Relay 2 Source		-	R2-01
40038	Relay 3 Source		-	R3-01
40039	Buzzer enable and source	4.4.7 Buzzer Designation (B1-xx)	-	B1-01
40040	Critical Fault Latch		-	AF-03
40041	Instrument electronics fault code	5.3.4 Non-Critical (E300) Faults and 5.3.3 Instrument Electronics Critical (E100) Faults	-	D-01
40042	Instrument electronics last fault	5.3.4 Non-Critical (E300) Faults and 5.3.3 Instrument Electronics Critical (E100) Faults	-	D-02
40043	Power supply voltage	15.5-28.5 VDC or 24 VAC ±20%	Volt	D-04
40044	Hours since last test sensor 1	Hours		D-05
40045	Hours since last test sensor 2	Hours		D-06
40046	<i>Reserved</i>			
40047	Instrument electronics 12V supply voltage x100			
40048	Instrument electronics 6V supply voltage x100			
40049	Instrument electronics 5.4V supply voltage x100			
40050	Instrument electronics 3.3V supply voltage x100			
40051	Instrument electronics temperature x100			
40052	Instrument electronics tact and magnetic switch state			

9.3.3 Input Status Flags

Input status flags are readable (using function code 02).

Reg	Description	Range
10001	Sensor 1 Low Alarm Flag	0 or 1 = alarm
10002	Sensor 1 Medium Alarm Flag	0 or 1 = alarm
10003	Sensor 1 High Alarm Flag	0 or 1 = alarm
10004	Sensor 1 Fault	0 or 1 = fault
10005	Sensor 1 Saturation Overflow	0 or 1 = gas > full scale
10006	Sensor 1 Saturation Underflow	0 or 1 = gas < 0
10007	Sensor 1 Start-up	0 or 1 = start-up
10008 - 10010	<i>Reserved</i>	
10011	Sensor 2 Low Alarm Flag	0 or 1 = alarm
10012	Sensor 2 Medium Alarm Flag	0 or 1 = alarm
10013	Sensor 2 High Alarm Flag	0 or 1 = alarm
10014	Sensor 2 Fault	0 or 1 = fault
10015	Sensor 2 Saturation Overflow	0 or 1 = gas > full scale
10016	Sensor 2 Saturation Underflow	0 or 1 = gas < 0
10017	Sensor 2 Start-up	0 or 1 = start-up
10018 - 10020	<i>Reserved</i>	
10021	Relay 1 State	0 or 1 = energized
10022	Relay 2 State	0 or 1 = energized
10023	Relay 3 State	0 or 1 = energized
10024	Instrument Electronics Offline	0 or 1 = offline
10025	Instrument Electronics Non-Critical Fault	0 or 1 = fault
10026	Instrument Electronics Critical Fault	0 or 1 = fault

NOTE: A sensor must be re-zeroed if it shows underflow saturation.

9.3.4 Output Status Flags

Output status flags are readable using Modbus function code 01 and writable using function code 05.

Reg	Description	Range
00001	Sensor 1 calibration expired. This flag can be cleared by performing a calibration or by resetting.	0 or 1 = need calibration
00002	Sensor 2 calibration expired. This flag can be cleared by performing a calibration or by resetting.	0 or 1 = need calibration
00003	Alarm Flag (0 or 1 = alarm) for any alarm (not fault).	0 or 1 = alarm
00004	Writing zero clears any acknowledgeable or latched alarm. This is the same behavior as holding the ENTER key for 5 seconds.	
00005	Relay closed test. Setting this flag to zero closes all 3 relays simultaneously for 5 seconds. At the end of the test the relays revert to their normal operation.	
00006	Relay opened test. Setting this flag to zero opens all 3 relays simultaneously for 5 seconds. At	

Reg	Description	Range
	the end of the test the relays revert to their normal operation	
00007	<p>Analog Output Zero Test. Setting this to one drives the analog outputs to their minimum value. This depends on the configuration of the analog output.</p> <ul style="list-style-type: none"> For 4-20mA it will drive 4mA For all voltage ranges it will drive 0V <p>During the test the Modbus flag will remain ON. When the test is completed the flag will turn OFF</p>	0 or 1 = test in process
00008	<p>Display Test Mode. Setting this sets all 7-segment display segments, power LED and both units LEDs active simultaneously for 5 seconds. At the end the display will revert to normal operation.</p> <p>During the test the Modbus flag will remain ON. When the test is completed the flag will turn OFF. This test is only operative outside the menus.</p>	0 or 1 = test in process

10 Ordering Information

10.1 MGS-550 Instrument Only

NOTE: In the descriptions below, "MGS-550 Gas Detector" includes an instrument and one sensing head mounted directly to the instrument housing. Remote or secondary local sensors must be ordered as separate items.

P/N	MGS-550 Instrument Only
6600-8000	MGS-550 Instrument ONLY, IP66 (For remote sensor applications, order sensing heads below)

10.2 MGS-550 Gas Detector, IP66 with IP66 Sensor

P/N	MGS-550 Gas Detector, IP66 with IP66 Sensor Installed at the Factory
6600-8010	MGS-550 Gas Detector, IP66, IR, CO2, 0-5000 ppm
6600-8011	MGS-550 Gas Detector, IP66, IR, CO2, 0-10000 ppm
6600-8012	MGS-550 Gas Detector, IP66, IR, CO2, 0-20000 ppm
6600-8013	MGS-550 Gas Detector, IP66, IR, CO2, 0-30000 ppm
6600-8014	MGS-550 Gas Detector, IP66, IR, CO2, 0-40000 ppm
6600-8015	MGS-550 Gas Detector, IP66, IR, CO2, 0-50000 ppm
6600-8016	MGS-550 Gas Detector, IP66, IR, Butane, 0-100 %LEL
6600-8017	MGS-550 Gas Detector, IP66, IR, Methane, 0-100 %LEL
6600-8018	MGS-550 Gas Detector, IP66, IR, Propane, 0-100 %LEL
6600-8019	MGS-550 Gas Detector, IP66, EC, NH3, 0-100 ppm
6600-8020	MGS-550 Gas Detector, IP66, EC, NH3, 0-1000 ppm
6600-8021	MGS-550 Gas Detector, IP66, EC, NH3, 0-5000 ppm
6600-8023	MGS-550 Gas Detector, IP66, EC, CO, 0-1000 ppm
6600-8024	MGS-550 Gas Detector, IP66, EC, NO2, 0-20 ppm
6600-8025	MGS-550 Gas Detector, IP66, EC, O2, 0-30 Vol%
6600-8026	MGS-550 Gas Detector, no IP rating, EC, Cl2, 0-10 ppm
6600-8027	MGS-550 Gas Detector, no IP rating, EC, F2, 0-1 ppm
6600-8028	MGS-550 Gas Detector, no IP rating, EC, O3, 0-1 ppm
6600-8029	MGS-550 Gas Detector, IP66, EC, SO2, 0-10 ppm

10 Ordering Information

P/N	MGS-550 Gas Detector, IP66 with IP66 Sensor Installed at the Factory
6600-8030	MGS-550 Gas Detector, IP66, EC, H ₂ S, 0-200 ppm
6600-8031	MGS-550 Gas Detector, no IP rating, EC, HCl, 0-10 ppm
6600-8032	MGS-550 Gas Detector, IP66, EC, HCN, 0-30 ppm
6600-8033	MGS-550 Gas Detector, IP66, EC, H ₂ , 0-10000 ppm
6600-8034	MGS-550 Gas Detector, IP66, CT, NH ₃ , 0-100 %LEL
6600-8035	MGS-550 Gas Detector, IP66, CT, LPG, 0-100 %LEL
6600-8036	MGS-550 Gas Detector, IP66, CT, Methane, 0-100 %LEL
6600-8038	MGS-550 Gas Detector, IP66, CT, Propane, 0-100 %LEL
6600-8039	MGS-550 Gas Detector, IP66, CT, Butane, 0-100 %LEL
6600-8040	MGS-550 Gas Detector, IP66, SC, R22, 0-1000 ppm
6600-8041	MGS-550 Gas Detector, IP66, SC, R32, 0-1000 ppm
6600-8042	MGS-550 Gas Detector, IP66, SC, R134a, 0-1000 ppm
6600-8043	MGS-550 Gas Detector, IP66, SC, R404a, 0-1000 ppm
6600-8044	MGS-550 Gas Detector, IP66, SC, R407a, 0-1000 ppm
6600-8045	MGS-550 Gas Detector, IP66, SC, R407c, 0-1000 ppm
6600-8046	MGS-550 Gas Detector, IP66, SC, R407f, 0-1000 ppm
6600-8047	MGS-550 Gas Detector, IP66, SC, R410a, 0-1000 ppm
6600-8048	MGS-550 Gas Detector, IP66, SC, R422, 0-1000 ppm
6600-8049	MGS-550 Gas Detector, IP66, SC, R422d, 0-1000 ppm
6600-8050	MGS-550 Gas Detector, IP66, SC, R427a, 0-1000 ppm
6600-8051	MGS-550 Gas Detector, IP66, SC, R507, 0-1000 ppm
6600-8052	MGS-550 Gas Detector, IP66, SC, HFO1234YF, 0-1000 ppm
6600-8053	MGS-550 Gas Detector, IP66, SC, HFO1234ZE, 0-1000 ppm
6600-8054	MGS-550 Gas Detector, IP66, SC, R22, 0-10000 ppm
6600-8055	MGS-550 Gas Detector, IP66, SC, R32, 0-10000 ppm
6600-8056	MGS-550 Gas Detector, IP66, SC, R134a, 0-10000 ppm
6600-8057	MGS-550 Gas Detector, IP66, SC, R404a, 0-10000 ppm
6600-8058	MGS-550 Gas Detector, IP66, SC, R407a, 0-10000 ppm
6600-8059	MGS-550 Gas Detector, IP66, SC, R407c, 0-10000 ppm
6600-8060	MGS-550 Gas Detector, IP66, SC, R407f, 0-10000 ppm
6600-8061	MGS-550 Gas Detector, IP66, SC, R410a, 0-10000 ppm
6600-8062	MGS-550 Gas Detector, IP66, SC, R422, 0-10000 ppm
6600-8063	MGS-550 Gas Detector, IP66, SC, R422d, 0-10000 ppm
6600-8065	MGS-550 Gas Detector, IP66, SC, R507, 0-10000 ppm
6600-8067	MGS-550 Gas Detector, IP66, SC, HFO1234ZE, 0-10000 ppm
6600-8069	MGS-550 Gas Detector, IP66, SC, NH ₃ , 0-10000 ppm
6600-8070	MGS-550 Gas Detector, IP66, SC, R290, 0-5000 ppm
6600-8071	MGS-550 Gas Detector, IP66, SC, R600, 0-5000 ppm
6600-8072	MGS-550 Gas Detector, IP66, SC, H ₂ , 0-5000 ppm
6600-8073	MGS-550 Gas Detector, IP66, SC, CH ₄ , 0-5000 ppm
6600-8074	MGS-550 Gas Detector, IP66, SC, VOC/Ethanol, 0-1000 ppm

P/N	MGS-550 Gas Detector, IP66 with IP66 Sensor Installed at the Factory
6600-8075	MGS-550 Gas Detector, IP66, SC, Ethylene, 0-2000 ppm
6600-8076	MGS-550 Gas Detector, IP66, SC, R-448a, 0-1,000 ppm
6600-8077	MGS-550 Gas Detector, IP66, SC, R-449a, 0-1,000 ppm
6600-8078	MGS-550 Gas Detector, IP66, SC, R-452a, 0-1,000 ppm
6600-8079	MGS-550 Gas Detector, IP66, SC, R-513a, 0-1,000 ppm

10.3 MGS-550 5m Remote and Second Sensing Heads

NOTE: Below is the MGS-550 Sensing Head Part Number Configurator. Part number format is: 6600-8ABC.

NOTE: All 5m remote and second, directly mounted sensing heads must be ordered separately.

Code "A"	IP66 Sensing Head Cable Type "A" Select the Required Cable Length, Noting the "A" Code
1	IP66 Sensing Head: 5 meter cable, for remote sensor applications
8	IP66 Sensing Head: For mounting directly to MGS-550 instrument

Codes "B & C"	Sensing Head Target Gas and Range "B & C" Select the Target Gas and Range, Noting the "B & C" Codes
10	IR, CO ₂ , 0-5000 ppm
11	IR, CO ₂ , 0-10000 ppm
12	IR, CO ₂ , 0-20000 ppm
13	IR, CO ₂ , 0-30000 ppm
14	IR, CO ₂ , 0-40000 ppm
15	IR, CO ₂ , 0-50000 ppm
16	IR, Butane, 0-100 %LEL
17	IR, Methane, 0-100 %LEL
18	IR, Propane, 0-100 %LEL
19	EC, NH ₃ , 0-100 ppm
20	EC, NH ₃ , 0-1000 ppm
21	EC, NH ₃ , 0-5000 ppm
23	EC, CO, 0-500 ppm
24	EC, NO ₂ , 0-20 ppm
25	EC, O ₂ , 0-30 Vol%
34	CT, NH ₃ , 0-100 %LEL
35	CT, LPG, 0-100 %LEL
36	CT, Methane, 0-100 %LEL
38	CT, Propane, 0-100 %LEL
39	CT, Butane, 0-100 %LEL
40	SC, R22, 0-1000 ppm
41	SC, R32, 0-1000 ppm
42	SC, R134a, 0-1000 ppm

10 Ordering Information

Codes "B & C"	Sensing Head Target Gas and Range "B & C" Select the Target Gas and Range, Noting the "B & C" Codes
43	SC, R404a, 0-1000 ppm
44	SC, R407a, 0-1000 ppm
45	SC, R407c, 0-1000 ppm
46	SC, R407f, 0-1000 ppm
47	SC, R410a, 0-1000 ppm
48	SC, R422, 0-1000 ppm
49	SC, R422d, 0-1000 pm
50	SC, R427a, 0-1000 ppm
51	SC, R507, 0-1000 ppm
52	SC, HFO1234YF, 0-1000 ppm
53	SC, HFO1234ZE, 0-1000 ppm
54	SC, R22, 0-10000 ppm
55	SC, R32, 0-10000 ppm
56	SC, R134a, 0-10000 ppm
57	SC, R404a, 0-10000 ppm
58	SC, R407a, 0-10000 ppm
59	SC, R407c, 0-10000 ppm
60	SC, R407f, 0-10000 ppm
61	SC, R410a, 0-10000 ppm
62	SC, R422, 0-10000 ppm
63	SC, R422d, 0-10000 ppm
65	SC, R507, 0-10000 ppm
67	SC, HFO1234ZE, 0-10000 ppm
69	SC, NH3, 0-10000 ppm
70	SC, R290, 0-5000 ppm
71	SC, R600, 0-5000 ppm
73	SC, CH4, 0-5000 ppm
75	SC, R448a, 0-2000 ppm
76	SC, R-448a, 0-1,000 ppm
77	SC, R-449a, 0-1,000 ppm
78	SC, R-452a, 0-1,000 ppm
79	SC, R-513a, 0-1,000 ppm

10.4 MGS-550 Replacement Parts and Accessories

P/N	MGS-550 Replacement Parts and Accessories
6600-8401	Replacement interface I/O PCB Assembly, MGS-550. Base PCB with terminal blocks for IP66 housing.
6600-8402	Replacement display PCB Assembly, MGS-550
6600-8403	Ribbon Cable, MGS-550. Connects top and bottom PCBs
6600-8404	Accessory Kit, MGS-550. Includes spare cable glands and blanking plugs, gaskets.

P/N	MGS-550 Replacement Parts and Accessories			
6600-8405	Sensing Head Common Control PCBA, MGS-550			
6600-8406	Sensing Head Front End Kit, MGS-550, IP66. Includes lock nut, nosepiece with membrane, O-ring, sensor foam spacers, and splash guard with calibration port. Also included are gaskets to be used as follows.			
	Gasket P/N	Gasket Thickness	Sensor Type	Applicable Sensor(s)
	1100-0031	9.5 mm	EC	CO, O ₂ , SO ₂
			CT	NH ₃ , LPG, Methane, Propane, Butane, Toluene/Xylene/Jet Fuels
	1100-0542	6.35 mm	IR	CO ₂
1100-0030	6.5 mm	EC, SC	All other sensors	

