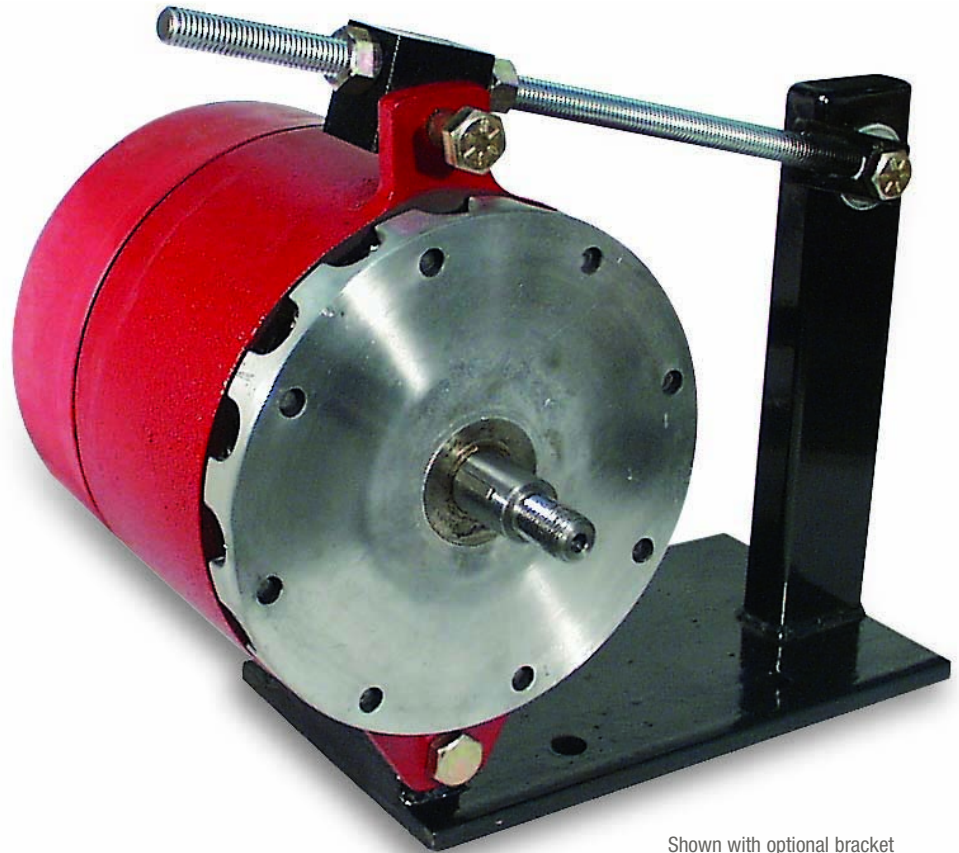




MPI Brushless Alternators

- ▶ MPI Ignition Systems are optimized with power supplies utilizing MPI high-quality brushless alternators. Designed for long-lasting durability with no moving electrical components. Ideal for all industrial applications, certified for hazardous duty locations and field proven.



Shown with optional bracket
Part number: 72700092 (4-1/2")
Part number: 72700093 (9-1/2")



Certified for hazardous locations
Class 1, Division 2, Groups C, D, T6

Features:

- No brushes, no brush springs
- One moving part, no moving electrical parts
- One-piece bearing housing, 4.5" or 9.5" brackets available
- Permanent bearing alignment
- Oversize lubrication reservoir
- Glass Filled TFE Fluorocarbon Seal (Teflon)
- Air-cooled 7.3" diameter advanced design

Benefits:

- Strong, compact reliable power
- Exceptional bearing life
- Simple inspection and maintenance procedures
- 24-VDC, rated to 80 amp, 5,000 rpm
CSA approval rated to 60 amp,
3,600 rpm
- Bi-directional rotation

Sales • Service • Support

Murphy Power Ignition
P.O. Box 470248
Tulsa, OK 74147
Phone: 918.317.4100
FAX: 918.317.4266
www.murphy-pi.com



Brushless Alternators

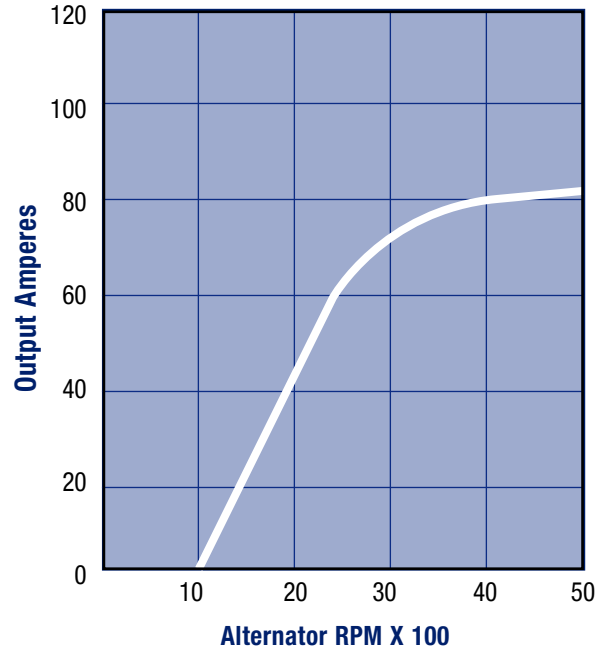
Maximize Power To Run Smoother.

Part number: 72700161; Model number: 102499-HZ24; 7.3" Diameter, Air-cooled, Belt or Direct Driven, 24 Volt

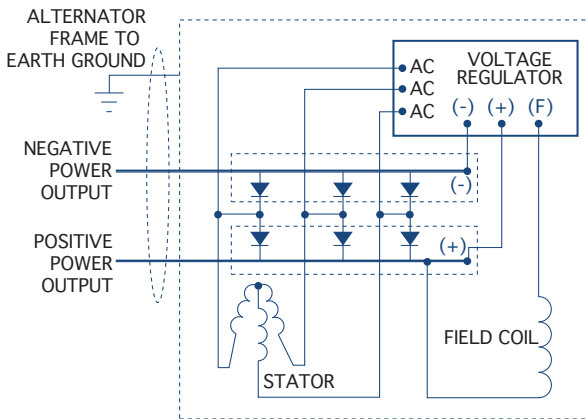
Specifications

Rated Amperes	80
RPM @ Rated Amperes	5000
Preset Volt Range	25.5-30
Full Load Voltage @ 28.0 Preset	27.5
Field Amperes	4.5 Typical
Rotation	Bi-Directional
Shaft Diameter (Pulley)	7/8 inch nominal
Voltage Regulator	Integral - Adjustable - Self Exciting
Wiring Connections	B+, B-, Ground
Rectifier Diode Construction	Individually Replaceable
Rectifier, Rated Capacity	225 Amperes

*CSA International Certification 60 Amperes @ 3600 RPM



Wiring Diagram

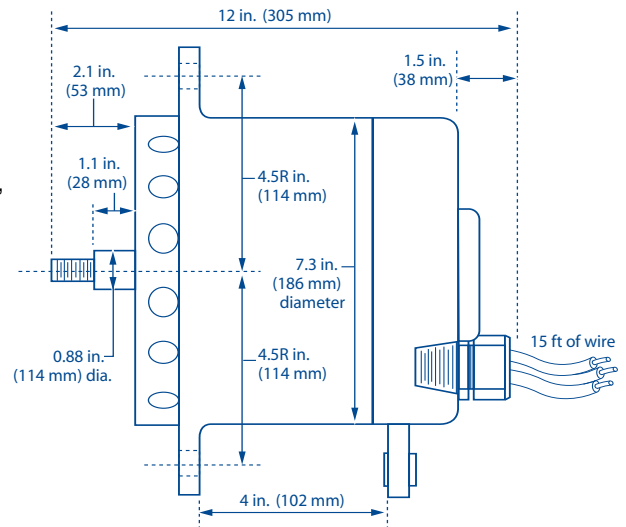


WIRE COLOR CODES

AC	WHITE
POS	RED
NEG	BLK
FLD	BLUE
CHASSIS GROUND	GREEN

For 7.3 inch diameter, single ended, 80 amp alternator to self-excited voltage regulator, all voltages. For use in Class I, Div. 2, Hazardous Areas.

Dimensions



MPI-04106B Revised 4/10 Printed in USA

► **MPI Distributor and Service Representative:**



www.murphy-pi.com

Specifications and performance data subject to change without notice. Certified specifications and performance data available upon request.