

# EX DRIVE

## PTO SHAFT EXTENSION



### SHAFT EXTENSION FOR ALLISON 3000 AND 4000 SERIES

Muncie Power's EX Drive was designed to fit on Allison 3000 and 4000 Series transmissions with a retarder or cooler and allow for large gear or piston pumps to be direct mounted. This ability to be direct mounted eliminates the need for timely driveline installations. Providing maximum torque from the PTO, the shaft extension is available for the CD10, CS10/11, CS24/25 and CS40/41 families of PTOs. The EX Drive is also available in SAE B, BB and C outputs, as well as DIN 5462.



#### KEY FEATURES

- Fits with Allison 3000/4000 with a retarder or a rear mounted cooler
- Direct mount large gear or piston pumps
- No need for driveline or front engine drives
- Available for both clutch shift and constant drive PTOs
- Three piece shaft to decrease lead time and reduce cost
- Less complex and stronger to improve reliability
- Redesign means easier assembly and quicker shipping and delivery
- Steel housing system
- Features a wet spline design to enhance the spline durability for a longer life

#### MODEL NUMBER CONSTRUCTION

**XD10-A30 XX-X3-C-C-R-X**

**EX Drive - PTO** \_\_\_\_\_

XD10 - For CD10  
XS10 - For CS10  
XS24 - For CS24  
XS41 - For CS41

**Transmission:** \_\_\_\_\_

A30XX - Allison 3000  
A40XX - Allison 4000

**Arrangement:** \_\_\_\_\_

X3 - Left side shaft low\*  
X1 - Right side shaft low\*  
X2 - Right side shaft high  
X4 - Left side shaft high

**EX Drive Output Shaft:** \_\_\_\_\_

B - SAE B 7/8" - 13T spline  
C - SAE C 1.25" - 14T spline  
P - SAE BB 1.0" - 15T spline  
I - DIN 5462 8 Spline

**EX Drive Mounting Flange:** \_\_\_\_\_

B - SAE B 2/4-bolt  
C - SAE C 2/4-bolt  
I - DIN 5462

**Transmission Feature:** \_\_\_\_\_

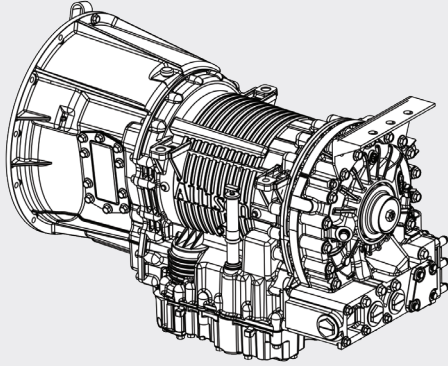
R - Integral retarder  
C - Direct mount cooler

**EX Drive Special Features:** \_\_\_\_\_

X - No special features  
C - Output flange cover

\* Shaft high arrangement required for applications utilizing an integral transmission oil cooler; applications involving a retarder will generally require the use of a shaft low arrangement for maximum clearance.

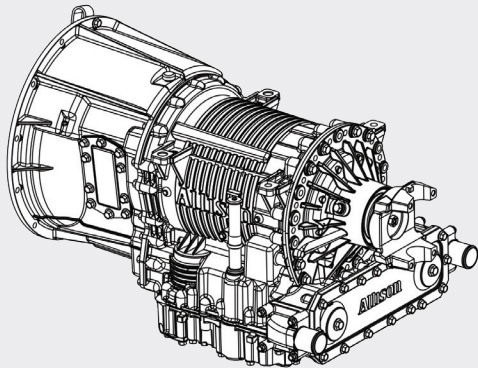
# SPECIFICATIONS



\* All options shown for left side opening of transmission

## ALLISON 3000 WITH RETARDER

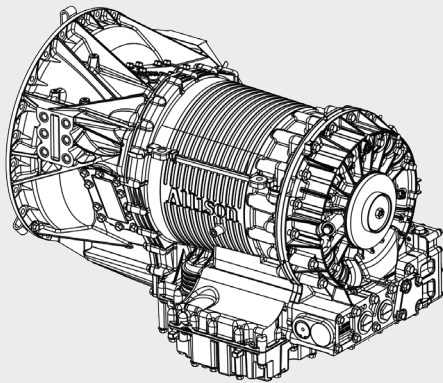
OUTPUT	Power Take-off			
	CD10-A10**-*3V*	CS24-A10**-*3V*	CS10-A10**-*3V*	CS41-A10**-*3V*
SAE "B" 2/4-Bolt	XD10-A30XX- X3BBRX	XS24-A30XX- X3BBRX	XS10-A30XX- X3BBRX	XS41-A30XX- X3BBRX
SAE"BB" 2/4-Bolt	XD10-A30XX- X3PBRX	XS24-A30XX- X3PBRX	XS10-A30XX- X3PBRX	XS41-A30XX- X3PBRX
SAE "C" 2/4-Bolt	XD10-A30XX- X3CCRX	XS24-A30XX- X3CCRX	XS10-A30XX- X3CCRX	XS41-A30XX- X3CCRX
SAE "B" 2/4-Bolt SAE "C" Shaft	XD10-A30XX- X3CBRX	XS24-A30XX- X3CBRX	XS10-A30XX- X3CBRX	XS41-A30XX- X3CBRX
DIN 5462	XD10-A30XX- X3IIRX	XS24-A30XX- X3IIRX	XS10-A30XX- X3IIRX	XS41-A30XX- X3IIRX



\* 4 arrangement options for left side opening with shaft high PTO; 2 arrangement options for right side opening with shaft high PTO

## ALLISON 3000 WITH COOLER

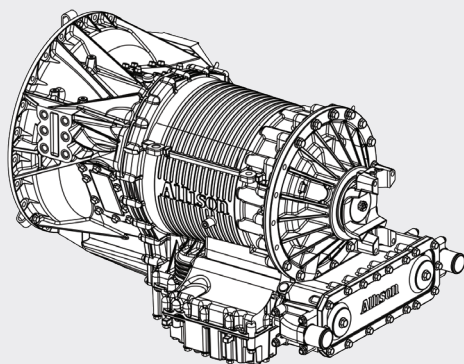
OUTPUT	Power Take-off			
	CD10-A10**-*1V*	CS24-A10**-*1V*	CD10-A10**-*3V*	CS24-A10**-*3V*
SAE "B" 2/4-Bolt	XD10-A30XX- X4BBCX	XS24-A30XX- X4BBCX	XD10-A30XX- X2BBCX	XS24-A30XX- X2BBCX
SAE"BB" 2/4-Bolt	XD10-A30XX- X4PBCX	XS24-A30XX- X4PBCX	XD10-A30XX- X2PBCX	XS24-A30XX- X2PBCX
SAE "C" 2/4-Bolt	XD10-A30XX- X4CCCX	XS24-A30XX- X4CCCX	XD10-A30XX- X2CCCX	XS24-A30XX- X2CCCX
SAE "B" 2/4-Bolt SAE "C" Shaft	XD10-A30XX- X4CBCX	XS24-A30XX- X4CBCX	XD10-A30XX- X2CBCX	XS24-A30XX- X2CBCX
DIN 5462	XD10-A30XX- X4IICX	XS24-A30XX- X4IICX	XD10-A30XX- X2IICX	XS24-A30XX- X2IICX



\* All options shown for left side opening of transmission

## ALLISON 4000 WITH RETARDER

OUTPUT	Power Take-off			
	CD10-A10**-*3V*	CS24-A10**-*3V*	CS10-A10**-*3V*	CS41-A10**-*3V*
SAE "B" 2/4-Bolt	XD10-A40XX- X3BBRX	XS24-A40XX- X3BBRX	XS10-A40XX- X3BBRX	XS41-A40XX- X3BBRX
SAE"BB" 2/4-Bolt	XD10-A40XX- X3PBRX	XS24-A40XX- X3PBRX	XS10-A40XX- X3PBRX	XS41-A40XX- X3PBRX
SAE "C" 2/4-Bolt	XD10-A40XX- X3CCRX	XS24-A40XX- X3CCRX	XS10-A40XX- X3CCRX	XS41-A40XX- X3CCRX
SAE "B" 2/4-Bolt SAE "C" Shaft	XD10-A40XX- X3CBRX	XS24-A40XX- X3CBRX	XS10-A40XX- X3CBRX	XS41-A40XX- X3CBRX
DIN 5462	XD10-A40XX- X3IIRX	XS24-A40XX- X3IIRX	XS10-A40XX- X3IIRX	XS41-A40XX- X3IIRX



\* All options shown for left side opening of transmission

## ALLISON 4000 WITH COOLER

OUTPUT	Power Take-off		
	CD10-A10**-*1V*	CS24-A10**-*1V*	CS41-A10**-*1V*
SAE "B" 2/4-Bolt	XD10-A40XX- X4BBCX	XS24-A40XX- X4BBCX	XS41-A40XX- X4BBCX
SAE"BB" 2/4-Bolt	XD10-A40XX- X4PBCX	XS24-A40XX- X4PBCX	XS41-A40XX- X4PBCX
SAE "C" 2/4-Bolt	XD10 A40XX- X4CCCX	XS24-A40XX- X4CCCX	XS41-A40XX- X4CCCX
SAE "B" 2/4-Bolt SAE "C" Shaft	XD10-A40XX- X4CBCX	XS24-A40XX- X4CBCX	XS41-A40XX- X4CBCX
DIN 5462	XD10-A40XX- X4IICX	XS24-A40XX- X4IICX	XS41-A40XX- X4IICX

# PTO TORQUE & HORSEPOWER RATINGS

## WITH CD10

SPEED RATIO	INTERMITTENT HP @ 1,000 RPM	INTERMITTENT TORQUE LB.FT.	CONTINUOUS TORQUE LB.FT.	INTERMITTENT (KW) @ 1,000 RPM	INTERMITTENT TORQUE (NM)	CONTINUOUS TORQUE (NM)
05	76	400	280	(57)	(542)	(379)
06	73	385	270	(54)	(522)	(365)
07	68	360	252	(51)	(488)	(342)
08	64	336	235	(48)	(456)	(319)
10	59	310	217	(44)	(420)	(294)
12	50	260	182	(37)	(352)	(246)
15	43	225	158	(32)	(305)	(214)

## WITH CS10/11

SPEED RATIO	INTERMITTENT HP @ 1,000 RPM	INTERMITTENT TORQUE LB.FT.	CONTINUOUS TORQUE LB.FT.	INTERMITTENT (KW) @ 1,000 RPM	INTERMITTENT TORQUE (NM)	CONTINUOUS TORQUE (NM)
05	95	500	350	(71)	(678)	(475)
06	91	480	336	(68)	(651)	(475)
07	86	450	315	(64)	(610)	(427)
08	80	420	294	(60)	(569)	(398)
10	73	385	270	(54)	(522)	(365)

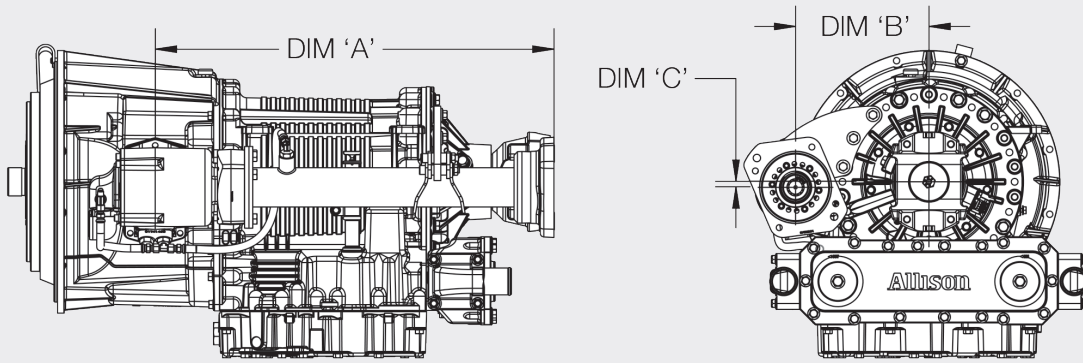
## WITH CS24/25

SPEED RATIO	INTERMITTENT HP @ 1,000 RPM	INTERMITTENT TORQUE LB.FT.	CONTINUOUS TORQUE LB.FT.	INTERMITTENT (KW) @ 1,000 RPM	INTERMITTENT TORQUE (NM)	CONTINUOUS TORQUE (NM)
05	62	325	228	(46)	(440)	(308)
06	62	325	228	(46)	(440)	(308)
07	58	305	214	(43)	(414)	(290)
08	56	295	207	(42)	(400)	(280)
10	55	290	203	(41)	(393)	(275)
11	48	250	175	(36)	(338)	(237)
12	48	250	175	(36)	(338)	(237)
15	38	200	140	(28)	(271)	(190)

## WITH CS40/41

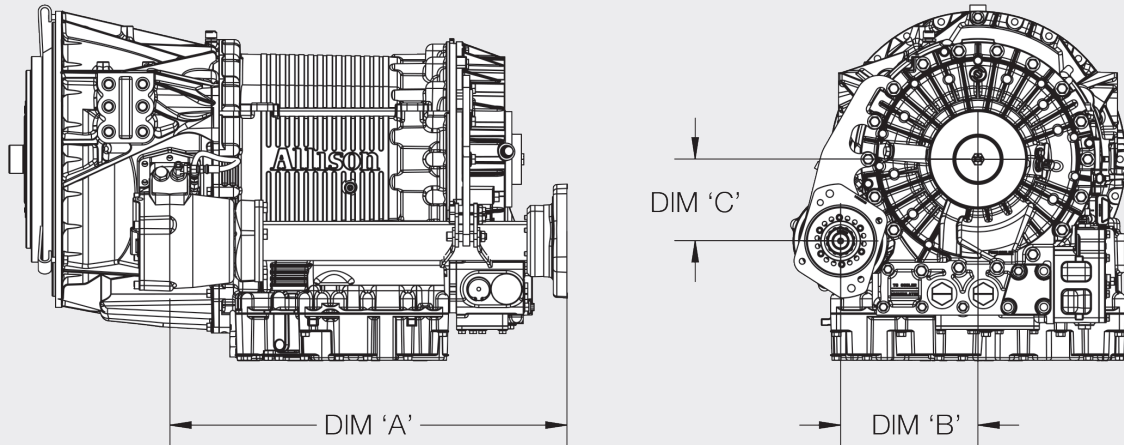
SPEED RATIO	INTERMITTENT HP @ 1,000 RPM	INTERMITTENT TORQUE LB.FT.	CONTINUOUS TORQUE LB.FT.	INTERMITTENT (KW) @ 1,000 RPM	INTERMITTENT TORQUE (NM)	CONTINUOUS TORQUE (NM)
07	114	600	420	(85)	(813)	(569)
10	103	545	382	(76)	(739)	(517)
12	93	490	343	(70)	(664)	(465)

# DIMENSIONS



## ALLISON 3000 APPLICATIONS

EX DRIVE P/N	TRANSMISSION FEATURE	MOUNTING LOCATION	DIM A	DIM B	DIM C
XD10-A30XX-X3**R*	Retarder	Left	29.2	9.5	2.3
XD10-A30XX-X4**C*	Cooler	Left	29.2	9.9	0.4
XD10-A30XX-X2**C*	Cooler	Right	29.2	9.9	0.4
XS24-A30XX-X3**R*	Retarder	Left	29.2	9.5	2.3
XS24-A30XX-X4**C*	Cooler	Left	29.2	9.9	0.4
XS24-A30XX-X2**C*	Cooler	Right	29.2	9.9	0.4
XS10-A30XX-X3**R*	Retarder	Left	29.2	9.9	3.5
XS41-A30XX-X3**R*	Retarder	Left	29.2	9.9	2.5



## ALLISON 4000 APPLICATIONS

EX DRIVE P/N	TRANSMISSION FEATURE	MOUNTING LOCATION	DIM A	DIM B	DIM C
XD10-A40XX-X3**R*	Retarder	Left	29.2	9.9	5.7
XD10-A40XX-X4**C*	Cooler	Left	29.2	7.4	2.7
XS24-A40XX-X3**R*	Retarder	Left	29.2	9.9	5.7
XS24-A40XX-X4**C*	Cooler	Left	29.2	7.4	5.7
XS10-A40XX-X3**R*	Retarder	Left	29.2	9.9	6.9
XS41-A40XX-X3**R*	Retarder	Left	29.2	10.2	6.0
XS41-A40XX-X4**C*	Cooler	Left	29.2	11.2	3.9