

HYDRAULIC FILTERS

PRESSURE AND RETURN LINE STYLE



CLEANER HYDRAULIC SYSTEMS REDUCE CONTAMINATION

Muncie Power's hydraulic filters reduce contamination related failures and equipment down time by ensuring cleaner hydraulic systems. We offer both nominal and absolute filtration with flow rates up to 100 GPM.



STANDARD MODEL SPECIFICATIONS

MODEL NUMBER	MODEL STYLE	MEDIA TYPE	MICRON RATING	BYPASS SETTING	PORT TYPE	PORT SIZE	GAUGE NO.*	REPLACEMENT ELEMENT
RETURN LINE								
RLF*-25	A	C	10	25	NPT (2)	-16	FG-4	RE-25
RLF*-501	B	C	10	25	NPT (2)	-20	FG-4	RE-501
RLF*-100	C	C	10	25	NPT (2)	-24	FG-4	RE-501
RLF*-101	C	C	25	25	NPT (2)	-24	FG-4	RE-101
RLF*-241-L10G25P66	A	G	10	25	NPT (2)	-16	FG-4	RE-241L10G
RLF*-501-L10G25P77	B	G	10	25	NPT (2)	-20	FG-4	RE-501L10G
TANK TOP RETURN LINE								
TRLF*-501	E	C	10	25	NPT (2)	-20	FG-4	TRE-501
TRLF*-503	E	C	10	15	ODT (1)	-20	FG-3	TRE-501
TRLF*-503-10G25S77	E	G	10	25	ODT (1)	-20	FG-4	TRE-501G10
49T37524	E	C	10	25	ODT (2)	-20/24	FG-4	TRE-503(2)
PRESSURE LINE								
PLFR-451-10C50S55**	D	C	10	50	ODT (2)	-12	NA	PRE-45110C
PLFR-451-10C50S66**	D	C	10	50	ODT (2)	-16	NA	PRE-45110C

* Add letter "G" to model number to include gauge. All gauge ports are 1/8" NPT.

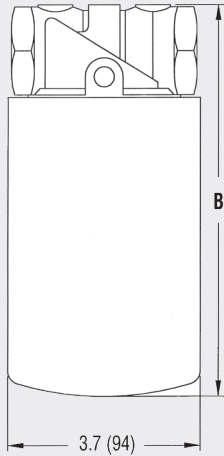
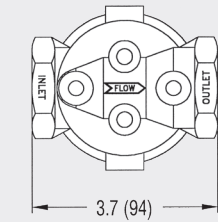
** Requires two mounting kits: PLFR-451-MK.

Note: Optional electrical indicator switch PM-515A (20 PSI) can be used in place of visual indicator FG-4. Does not include wiring or panel light.

STANDARD MODEL STYLES

STYLE A

IN (MM)



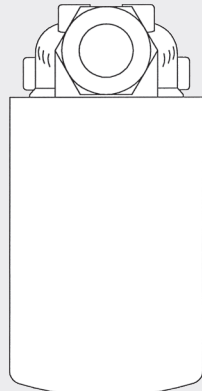
Models

RLF*-25
RLF*-241-L***

Dim B

07.2 (183)
10.2 (259)

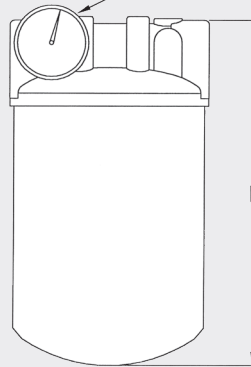
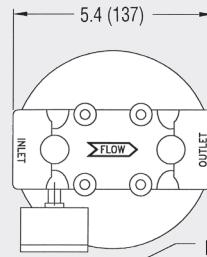
Note: Elements will not interchange between the two models



Note: Allow .63" (16) clearance for element removal

STYLE B

IN (MM)

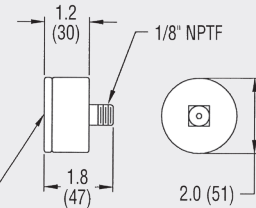


Models

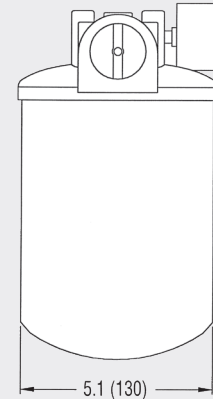
RLF*-501
RLF*-501-L***

Dim B

09.3 (236)
13.3 (338)

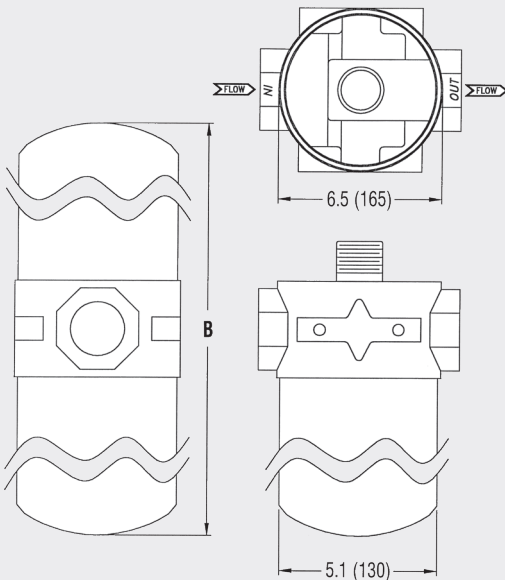


Note: Allow 1.5" (38) clearance for element removal



STYLE C

IN (MM)



Models

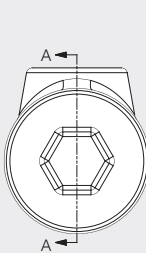
RLF*-100
RLF*-101
RLF*-100-L***

Dim B

17 (432)
25 (635)
25 (635)

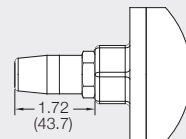
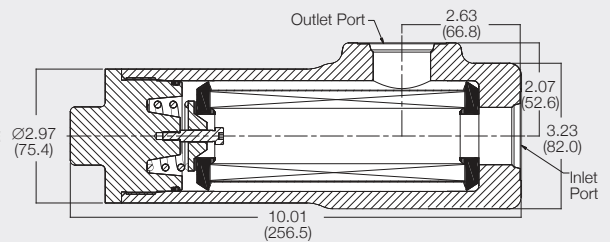
STYLE D

IN (MM)

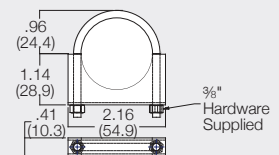


Model

PLFR-451-***



Optional visual indicator
(50 PSI differential)



"U-Bolt" Mounting Kit, Part Number:
PLFR-451-MK (2 required)

Note: Allow 1.5" (38) clearance for element removal

STANDARD MODEL STYLES (CONT)

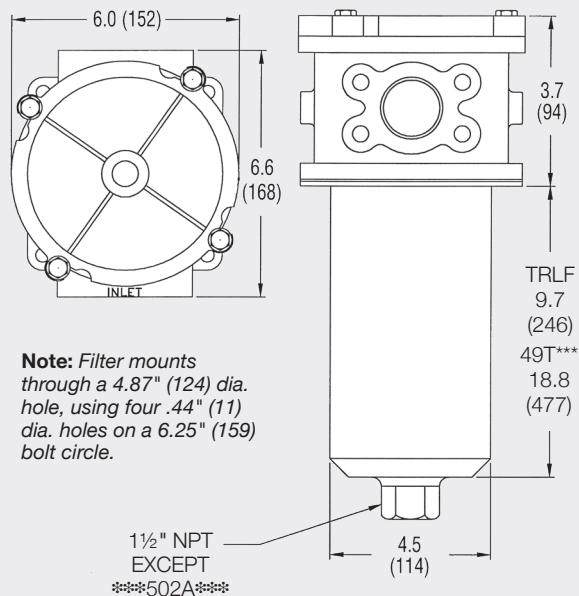
STYLE E

IN (MM)

Models

TRLF*-50*-***

49T37524



Note: Filter mounts through a 4.87" (124) dia. hole, using four .44" (11) dia. holes on a 6.25" (159) bolt circle.

1 1/2" NPT
EXCEPT
502A

Note: Allow 9.0" (229) clearance for element removal

MODEL NUMBER CONSTRUCTION

TRLF-G-50-1-L 10-G-25-P-7-7

Product Styles

- RLF — Return line, spin on
- TRLF — Tank top, return, drop in element
- PLFR — Pressure line, drop in element

Condition Indicator*

- G — Analog gauge (colors)

Series (Max Flow Capacity)

- 24 GPM Max — 24
- 25 GPM Max — 25
- 27 GPM Max — 27
- 37 GPM Max — 37
- 45 GPM Max — 45
- 50 GPM Max — 50
- 55 GPM Max — 55
- 100 GPM Max — 100

Design Number*

- 1 — First design

Element Length*

- L — Long

Micron Ratings

- 10 — 10 micron
- 25 — 25 micron

Port Size (Secondary)

See below

Port Sizes*

- 5 — (-12)
- 6 — (-16)
- 7 — (-20)
- 8 — (-24)

Port Types

- P — NPT pipe thread
- S — ODT straight thread

Bypass Valve Settings*

- 15 — 15 PSI
- 25 — 25 PSI
- 50 — 50 PSI

Media Types

- C — Cellulose (paper)
- G — Microglass (300 PSI)

Note: All microglass media elements carry a Beta Rating of B10 = 75.

All RLF style filters use spin on style elements. All others use drop in elements.

*Delete for none



A Member of the Interpump Group

MP15-35 (Rev. 10-23)

201 East Jackson Street, Muncie, Indiana 47305
800-367-7867 • Fax: 765-284-6991 • info@munciepower.com

Specifications are subject to change without notice. Visit www.munciepower.com
for warranties and literature. All rights reserved. © Muncie Power Products, Inc. (2015)