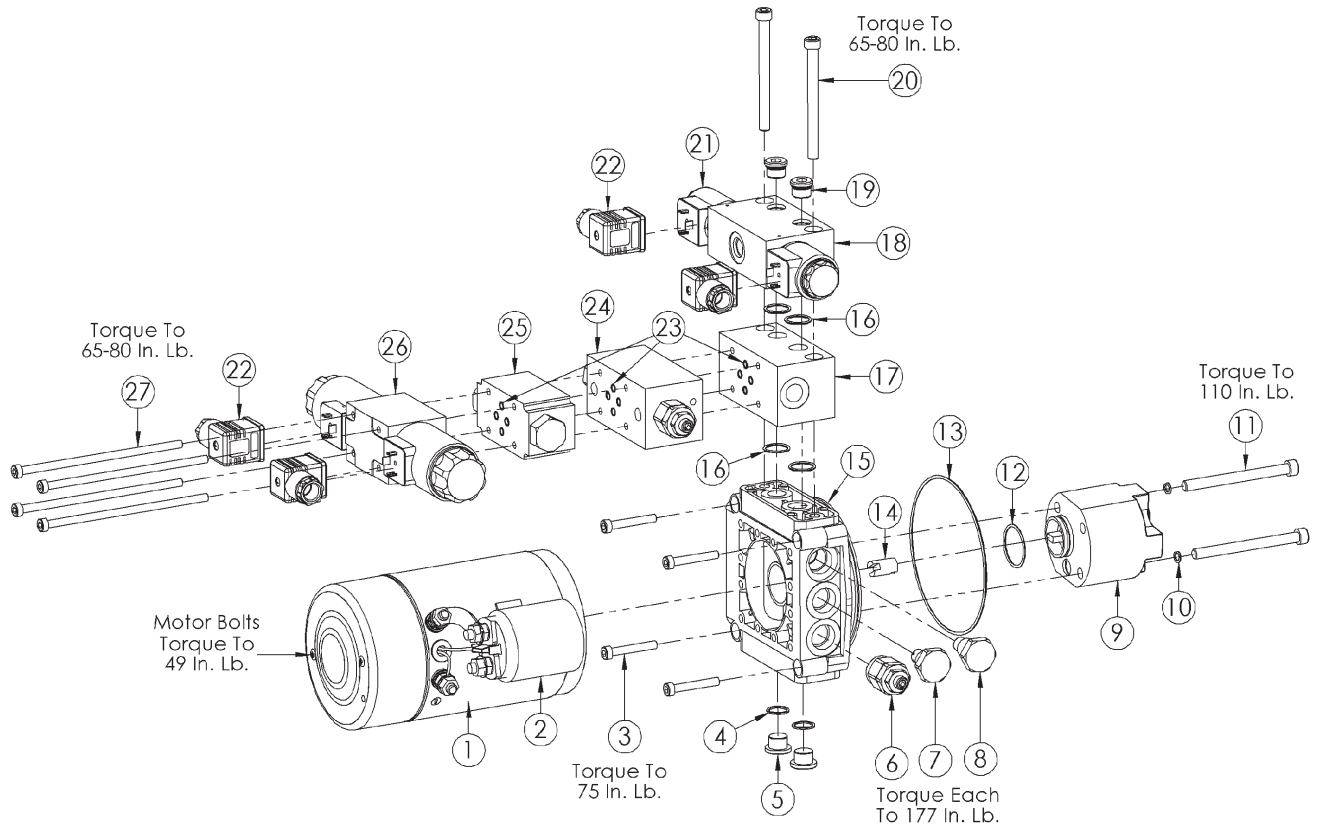


DC POWER PACK

SERVICE PARTS

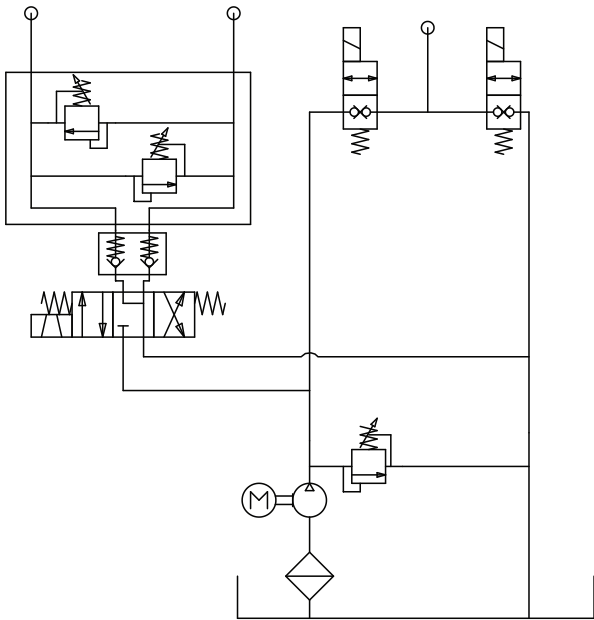
LP1A-2**-100-C**



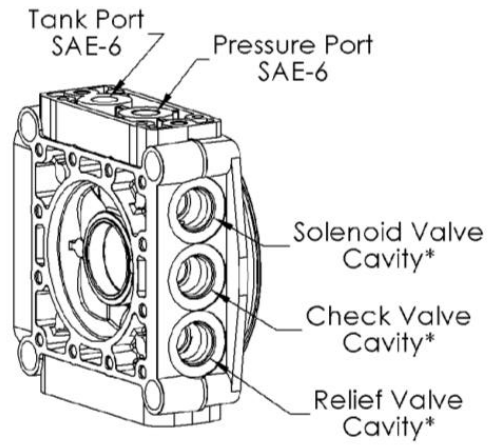
ITEM	PART NUMBER	DESCRIPTION	QTY
1	56250A160L0G	12 V DC Motor w/200A Relay	1
2	56252120801G	200A Relay	1
3	71D15106040B	M6x40 Bolt	4
4	71K12113000T	¼" BSPP Copper Washer	2
5	090T80IEA014	¾ ¼" BSPP Plug	2
6	5620P31900V	Relief Valve	1
7	562571L3005E	Check Valve	1
8	56238PA0078A	Solenoid Cavity Plug	1
9	13B1W2D2ABBC	Pump 03 (0.061 cu.in.)	1
	13B1W2D2BBBC	Pump 04 (0.076 cu.in.)	
	13B1W2D2CBBC	Pump 05 (0.097 cu.in.)	
	13B1W2D2EBBC	Pump 06 (0.122 cu.in.)	
	13B1W2D2GBBC	Pump 07 (0.152 cu.in.)	
	13B1W2D2JBBC	Pump 08 (0.192 cu.in.)	
10	71F39008000B	M8 Lock Washer	1
11	71D15108085B	M8 x 85 Bolt (Pump 03/04)	1
	71D1510890B	M8 x 90 Bolt (Pump 05/06)	
	71D1510895B	M8 x 95 Bolt (Pump 07/08)	

ITEM	PART NUMBER	DESCRIPTION	QTY
12	733B2600665	Pump Pilot O-Ring	1
13	733B35311390	O-Ring	1
14	563422B20EET	Motor Connector Shaft	1
15	5620121031BT	Central Manifold	1
16	733B17801717	O-Ring	4
17	1201PV04330A	Adapter Block ⅜ - 18 UNF	1
18	1201PV4350A	Adapter Block ⅜ - 18 UNF	1
19	HHBP-6Z	⅜ - 18 UNF Plug	2
20	71D15108050B	M8x50 Bolt	2
21	562611M3137C	Cartridge Valve	2
22	78C00100500A	DIN Connector	4
23	733B17800873	O-Ring	12
24	1201PC0017CT	NFPA Accessory Block – RV Valve	1
25	3224170005EK	NFPA Accessory Block – PO Check	1
26	0814B13EA001	DIN Solenoid Valve 3P4W	1
27	71D15105140B	M5x140 Bolt	4

HYDRAULIC SCHEMATIC

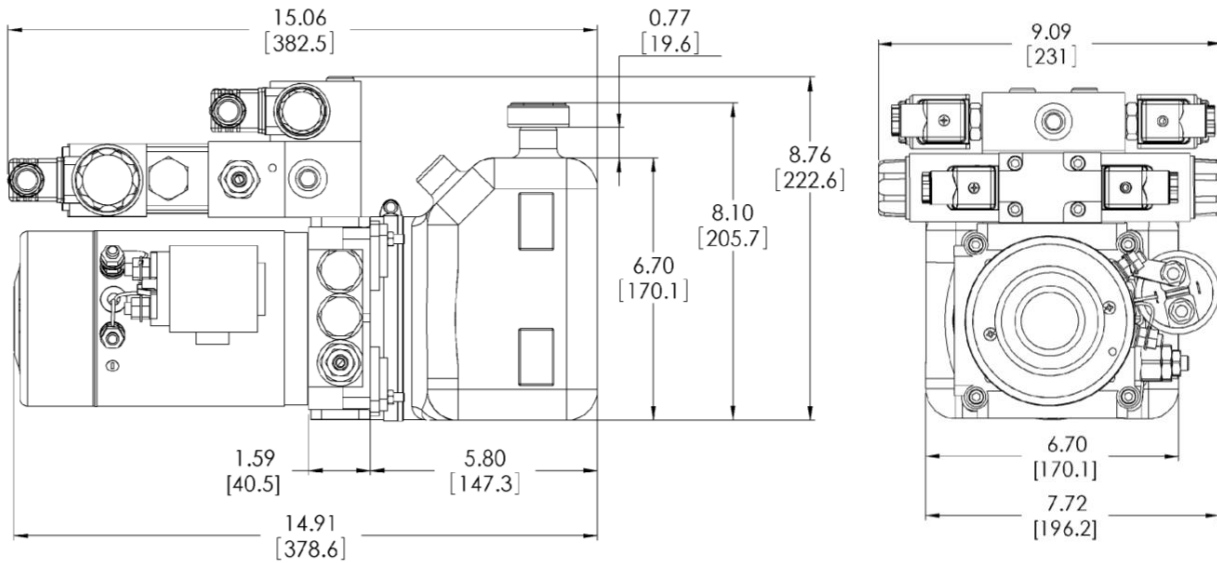


CENTRAL MANIFOLD DETAILS

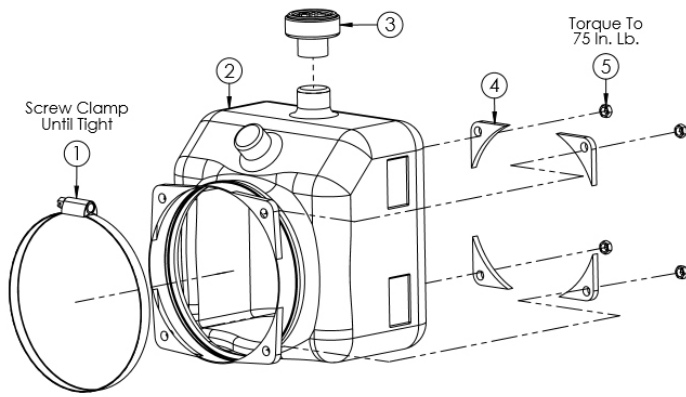


DIMENSIONS

IN Inches (mm)

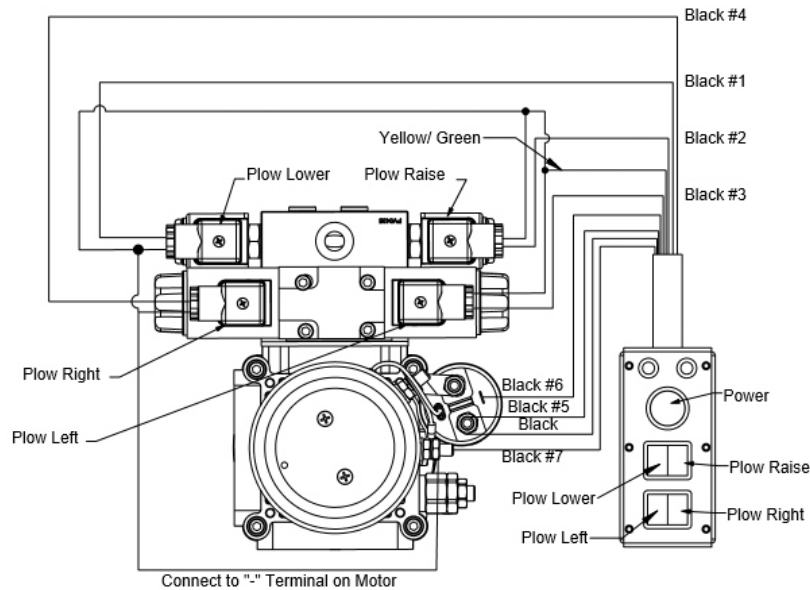


RESERVOIR ASSEMBLY

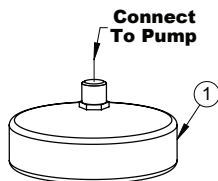


ITEM	PART NUMBER	DESCRIPTION	QTY
1	71P03197127B	Worm Drive Clamp	1
	56220201B00E	1.6 Qt. Poly Horizontal – F	1
	56220201B02E*	1.6 Qt. Poly Vertical – F	
	56220301B00E*	3.2 Qt. Poly Horizontal – H	
	56220301B02E*	3.2 Qt. Ploy Vertical – H	
	56220501B00E*	5.3 Qt. Poly Horizontal – J (Standard)	
	56220501B02E*	5.3 Qt. Poly Vertical – J	
	56220701B00E*	8.5 Qt. Poly Horizontal – K	
2	56220701B02E*	8.5 Qt. Poly Vertical – K	
	56220301B04E*	8.5 Qt. Poly Horizontal – K (Center Port)	
	56221203A23Z*	2.1 Qt. Steel Horizontal – A	
	56221403A23Z*	4.2 Qt. Steel Horizontal – B	
	56221833A23Z*	8.4 Qt. Steel Horizontal – S	
	56221803B23Z*	8.4 Qt. Steel Horizontal – C	
	56221A03B23Z*	10.5 Qt. Steel Horizontal – D	
	56221A53B23Z*	10.5 Qt. Steel Horizontal – E	
	39G57B000C0C	Breather Cap (Res. Type F, H, J, K)	1
3	39G52E000C0C	Breather Cap (Res. Type C, D, E)	
	39G52D000C0C	Breather Cap (Res. Type A, B, S)	
4	2300PS05270Z	Poly Reservoir Mtg. Bracket	4
5	71E14106000B	M6 Nut	4

CORDED CONTROL WIRING DIAGRAM

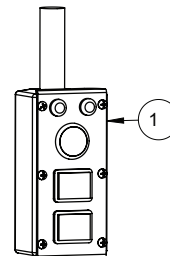


SUCTION FILTER



ITEM	PART NUMBER	DESCRIPTION	QTY
1	56233D14HACA	Suction Filter	1

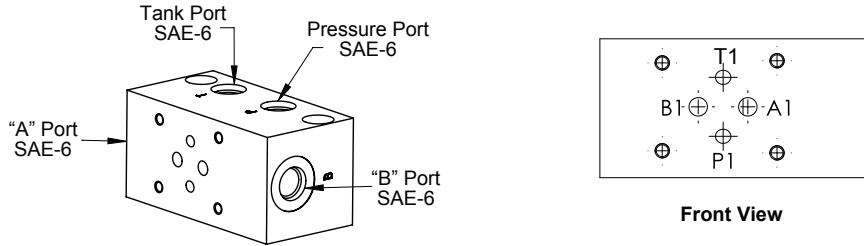
SNOW PLOW CORDED CONTROL



ITEM	PART NUMBER	DESCRIPTION	QTY
1	150123019A8G	Corded Control (Snow Plow)	1

ADAPTER/ACCESSORY BLOCKS DETAILS

Note: Items 17 & 18 (adapter blocks contain "P" and "T" ports on the top portion of the block.
 Items 17, 24, and 25 (adapter/accessory blocks) contain "P1", "T1", "A1" and "B1" ports on the front portion of the block.



DC POWER PACK MODEL NUMBER CONSTRUCTION

LP 1 A - 2 H P F 06 - 000 - C

DC Power Pack	- LP		Operator Control Device	A - No Controls C - Corded Electronic Control M - Manual Control
Design Number	- 1		Assembly Code	000 - Number Increments for Variations
Motor 12 V DC	- A		Pump Size	03 - 1.00 cc/0.061 cu.in. 04 - 1.25 cc/0.076 cu.in. 05 - 1.60 cc/0.097 cu.in. 06 - 2.00 cc/0.122 cu.in. (Std) 07 - 2.50 cc/0.152 cu.in. 08 - 3.15 cc/0.192 cu.in.
Function	- 0		Reservoir Size	X - None Steel A - 2.1 Qt. (2.0 L) B - 4.2 Qt. (4.0 L) C - 8.4 Qt. (8.0 L) D - 10.5 Qt. (10.0 L) E - 15.8 Qt. (15.0 L) S - 8.4 Qt. (8.0 L)
Pump/Motor Only	- 0		Polyethylene	F - 1.6 Qt. (1.5 L.) H - 3.2 Qt. (3.0 L.) J - 5.3 Qt. (5.0 L.) K - 8.5 Qt. (8.0 L.) L - 10.5 Qt. with Enclosure (Function Type 1 Only)
Pump/Motor/Reservoir/Enclosure	- 1			
Use Mounting Position V	- 1			
Pump/Motor/Reservoir/ Manifold Mounting	- 2			
Pad for Multiple Functions**	- 2			
Pump/Motor/Reservoir/3-Way	- 3			
Pump/Motor/Reservoir/4-Way	- 4			
Mounting Position				
Horizontal (Std.)	- H			
Vertical (5.3 & 8.5 Qt. Poly Only)	- V			
Reservoir Type				
Steel	- S			
Polyethylene (Std)	- P			
None	- X			

*Usable reservoir capacity is 10% less than shown. Please note that 4 Qt. = 1 Gallon (3.78 L.)

** Mounting plates and valves are sold separately, unless included in the assembly code.