

SUZUKI

PARTS CATALOGUE

DR200SE

(SH42A)

DR200SEK6

DR200SEK7

DR200SEK8

DR200SEK9



Way of Life!

2008-7

3RD EDITION

This part catalogue supersedes all the following part catalogue with immediate effect.

Model of catalogue	Part catalogue No.
DR200SE(K6/K7/K8)	9900B-26020-010

INFORMATION
ILLUSTRATION INDEX

1

ENGINE
TRANSMISSION

2

ELECTRICAL

3

BODY

4

PARTS NUMBER INDEX

5

DR200SEK6



DR200SEK7



DR200SEK8
DR200SEK9



PHOTO : DR200SEK8

PREFACE

When it becomes necessary to replace parts on SUZUKI MOTORCYCLES, always use SUZUKI GENUINE PARTS which have passed a strict inspection which guarantees quality and performance.

This parts catalogue covers the list of all service parts for SUZUKI DR200SEK6, DR200SEK7, DR200SEK8, DR200SEK9.

INSTRUCTIONS FOR QUOTING THE CATALOGUE

1. DIMENSIONS

Dimensions of the parts in this catalogue are indicated in unit millimeters.

2. ABBREVIATIONS

Abbreviations used in this catalogue are as follows:

AR	: As required	NT	: Number of teeth
ASSY	: Assembly	OPT	: Optional
E.No.	: Engine number	OS	: Over size
F.No.	: Frame number	STD	: Standard
D	: Diameter of material	T	: Thickness
ID	: Inside diameter	US	: Under size
OD	: Outside diameter	W	: Width
L	: Length	E28	: Canada specification
LH	: Left hand side	E3	: Federal specification
RH	: Right hand side	E33	: California specification
-100045	: Up to F.No.100045		
100046-	: From F.No.100046		

12 x 34 x 5.6 Figures in the description column
| | | show the dimensions of parts.

ID OD T(or W, L)

3. INNER PARTS OF ASSEMBLY

Part name with a dot (.) in front as shown in the description column indicates the component of the assembly also available individually.

4. MODIFICATION NOTICE

A parts bulletin will be sent to you on all occasions when changes in parts occur, including interchangeable modifications between new parts and old ones.

5. NOTE

5-1. There are some different parts from those of production models among spare parts for the administrative reasons and common use of them with other models.

5-2. In respect of rubber hoses and vinyl tubes, please be sure to use them by cutting off according to the length mentioned on parts catalogue or what is actually required on the vehicle.

5-3. Note that the drawings on the illustration page are for ready reference of spare parts number, not to be used as an assembly manual.
When assembling, use "SUZUKI SERVICE MANUAL".

6. SERIAL FRAME NUMBER

DR200SEK6 : JS1SH42A 62100001 ~
DR200SEK7 : JS1SH42A 72100001 ~
DR200SEK8 : JS1SH42A 82100001 ~
DR200SEK9 : JS1SH42A 92100001 ~

PREFACE

Quand il devient nécessaire de remplacer des pièces sur SUZUKI MOTOCYCLETTES toujours utiliser les PIÈCES D'ORIGINE SUZUKI qui ont été soumises à des contrôles de qualité sévères leur garantissant qualité et performance impeccables.

Ce catalogue de pièces détachées couvre la liste de toutes les pièces de rechange pour SUZUKI DR200SEK6, DR200SEK7, DR200SEK8, DR200SEK9.

INSTRUCTIONS POUR UTILISER LE CATALOGUE

1. DIMENSIONS

Les dimensions des pièces dans ce catalogue sont indiquées en unités de millimètres.

2. ABBREVIATIONS

Les abréviations utilisées dans ce catalogue sont les suivantes :

AR	: Comme requis	NT	: Nombre de dents
ASSY	: Assemblage	OPT	: Sur option
E. No.	: Numéro du moteur	OS	: Sur-dimensionné
F. No.	: Numéro du châssis	T	: Epaisseur
ID	: Diamètre intérieur	US	: Sous-dimensionné
OD	: Diamètre extérieur	W	: Largeur
L	: Longueur	E28	: Spécifications du Canada
LH	: Côté gauche	E3	: Spécifications fédérales des Etats Unis
RH	: Côté droit	E33	: Spécifications de la Californie

~100045 : Jusqu'à F. No. 100045

100046~ : Depuis F. No. 100046

12 x 34 x 5,6 Les chiffres dans la colonne remarques montrent les dimensions des pièces comme suit.

ID OD T(or W, L)

3. PIÈCES INTERNES DE L'ASSEMBLAGE

Les numéros de pièces qui comportent un point (.) avant la désignation de pièce détachée indique la pièce interne se rapportant à l'assemblage.

4. AVIS DE MODIFICATION

Un bulletin de pièces détachées vous sera envoyé à tout moment opportun quand des changements de pièces ont lieu, y compris les modifications de pièces interchangeable entre les nouvelles et anciennes pièces.

5. A NOTER

- 5-1. Il existe certaines pièces différentes de celles de rechange pour les modèles de production vu des raisons administratives et dont l'usage est commun avec celles d'autres modèles.
- 5-2. Concernant les durites en caoutchouc et les tuyaux en vinyle, ne pas manquer de les couper à la bonne longueur comme indiqué dans le catalogue des pièces détachées ou selon ce qui est utile pour le véhicule affecté.
- 5-3. Noter que les dessins à la page d'illustration servent à titre de référence pour les numéros de pièces détachées, et non pas comme référence pour l'assemblage. Pour cette dernière opération, se reporter au "MANUEL D'ENTRETIEN SUZUKI".

6. NUMERO DE SERIE DU CADRE

DR200SEK6 : JS1SH42A 62100001 ~

DR200SEK7 : JS1SH42A 72100001 ~

DR200SEK8 : JS1SH42A 82100001 ~

DR200SEK9 : JS1SH42A 92100001 ~

COLOR CHART
TABLEAU DES COULEURS

COLOR NO. NO DE COULEUR	COLOR DESCRIPTION DESCRIPTION DE COULEUR	COLOR NO. NO DE COULEUR	COLOR DESCRIPTION DESCRIPTION DE COULEUR
BDL	P21,T3K,064	GJ F	17U,1ZY,1LF,019
CEP	T7G,T2E,YKU	P21	BLACK (LEATHER)
CET	019,YCF,YBD,YBB,YU1	T2E	CHAMPION YELLOW NO.2
CLK	019,YBD,1ZZ,YCF,YC2	T3K	NEO BLUE (LEATHER)
CLM	YBB,30H	T5N	NOBLE GRAY (LEATHER)
CNS	019,1ZZ,YBD,YD8	T5P	BLACK (LEATHER)
DRA	Z12,019,YD8,YCF,YBD,YU1,YU8	T7G	ULTRA MARINE BLUE NO.3
DTU	U5J,U5L,064	U5J	PARSEC BLUE (LEATHER)
DUY	P21,T5P,064	U5L	PARSEC BLUE (LEATHER)
DUZ	P21,U5L,064	YBA	DEEP BLUE
DVM	019,YU8,YBD,YCF,YC2	YBB	MEDIUM BLUE(PEARL)
DVN	019,YU8,30H	YBD	SPLASH WHITE
EVH	1ZZ,YD8,20G,30H,YU8	YCF	LUMINOUS ORANGE
EVM	31D,YV9,YBA,30H,YU8	YC2	CANDY GRAND BLUE
EVN	31D,YV9,YLW,YBD	YD8	SONIC SILVER METALLIC
FCB	T5N,T5P,742	YHF	PHANTOM GRAY METALLIC
FDC	1ZZ,YD8,20G,YBD,019	YJ 4	GRAND BLUE
FDD	31D,YBA,YV9,YBD,019,YKY	YKS	FIERY RED
GJ B	YU8,1ZY,1LF,019,30H,YD8	YKU	BLUE
GJ C	YU8,1ZY,YHF,YD8,30H,YU7,019	YKY	PEARL VIGOR BLUE
GJ D	17U,1ZY,1LF,019,30H	YLW	GRAND BLUE NO.2
GJ E	17U,1ZY,YHF,30H	YU1	CHAMPION YELLOW

COLOR NO. NO DE COULEUR	COLOR DESCRIPTION DESCRIPTION DE COULEUR	COLOR NO. NO DE COULEUR	COLOR DESCRIPTION DESCRIPTION DE COULEUR
YU7	PEARL CRYSTAL RED		
YU8	FLINT GRAY METALLIC		
YV9	PEARL PALE BLUE		
Z12	CANDY ARCTIC BLUE		
019	BLACK		
064	PURE WHITE		
1LF	PRL DEEP BLUE		
1ZY	URBAN LIGHT GRAY METALLIC		
1ZZ	URBAN MIDIAM GRAY METALLIC		
13L	BRIGHT SILVER METALLIC		
17U	GRAY METALLIC		
20G	CHARCOAL GRAY METALLIC		
28W	SPECIAL WHITE		
291	BLACK (SEMI-GLOSS)		
30H	SPECIAL WHITE		
31D	PEARL GRACE BLUE		
742	SILVER METALLIC		
8YM	30H,019		

MILLIMETER → INCH CONVERSION CHART
 TABLEAU DE CONVERSION DE MILLIMETRES → POUCES

	0	1	2	3	4	5	6	7	8	9
00	.000	.039	.079	.118	.157	.197	.236	.276	.315	.354
10	.394	.433	.472	.512	.551	.591	.630	.669	.709	.748
20	.787	.827	.866	.906	.945	.984	1.024	1.063	1.102	1.142
30	1.181	1.220	1.260	1.299	1.339	1.378	1.417	1.457	1.496	1.535
40	1.575	1.614	1.654	1.693	1.732	1.772	1.811	1.850	1.890	1.929
50	1.969	2.008	2.047	2.087	2.126	2.165	2.205	2.214	2.283	2.323
60	2.362	2.402	2.441	2.480	2.520	2.559	2.598	2.638	2.677	2.717
70	2.756	2.795	2.835	2.874	2.913	2.953	2.992	3.031	3.071	3.110
80	3.150	3.189	3.228	3.268	3.307	3.346	3.386	3.425	3.465	3.504
90	3.543	3.583	3.622	3.661	3.701	3.740	3.780	3.819	3.858	3.898

How to read
 Mode de lecture

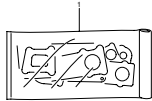
	0	1	2	3	4
00	---	---	---	---	---
10	---	---	---	---	---
20	---	---	---	0.906	---
30	---	---	---	---	---

23 millimeters equal 0.906 inch
 23 millimètres égalent 0.906 pouce

Contents are subject to change without notice or obligation.

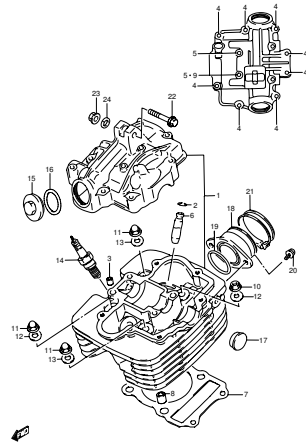
Les matières traitées sont susceptibles d'être modifiées sans préavis obligation de notre part.

FIG. 1 GASKET SET (B-2)



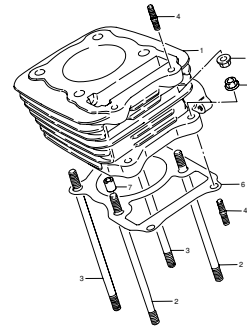
DR200SEK6 E03 E28_001
GASKET SET-C

FIG. 2 CYLINDER HEAD (B-3)



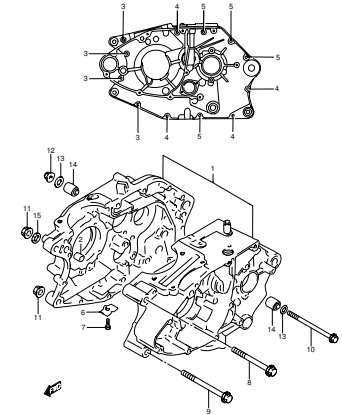
DR200SEK6 E03 E28_002
CYLINDER HEAD-C

FIG. 3 CYLINDER (B-4)



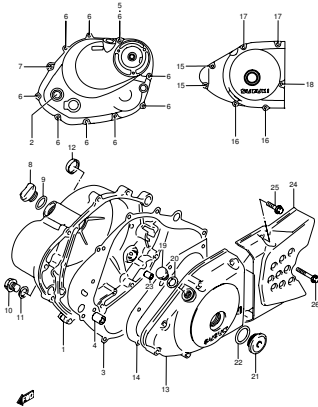
DR200SEK6 E03 E28_003
CYLINDER-C

FIG. 4 CRANKCASE (B-5)



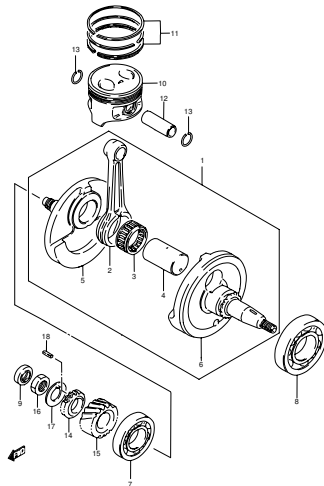
DR200SEK6 E03 E28_004
CRANKCASE-C

FIG. 5 CRANKCASE COVER (B-6)



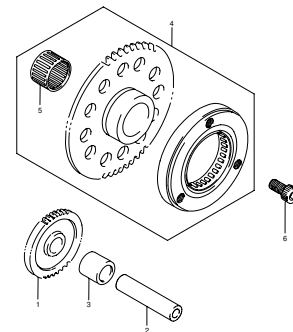
DR200SEK6 E03 E28_005
CRANKCASE COVER-C

FIG. 6 CRANKSHAFT (B-7)



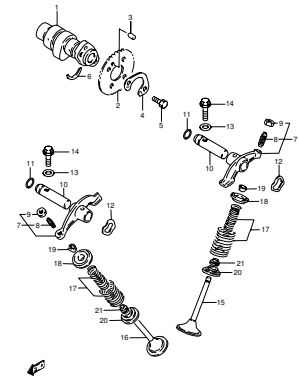
DR200SEK6 E03 E28_006
CRANKSHAFT-C

FIG. 7 STARTER CLUTCH (B-8)



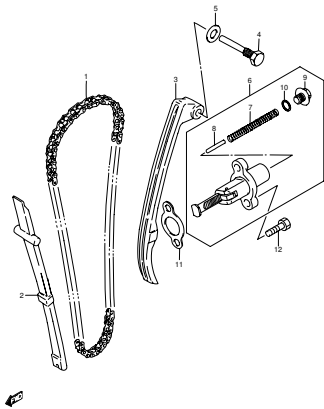
DR200SEK6 E03 E28_007
STARTER CLUTCH-C

FIG. 8 CAMSHAFT/VALVE (B-9)



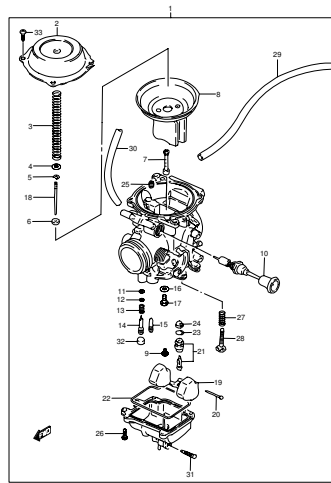
DR200SEK6 E03 E28_008
CAM SHAFT/VALVE-C

FIG. 9 CAM CHAIN (B-10)



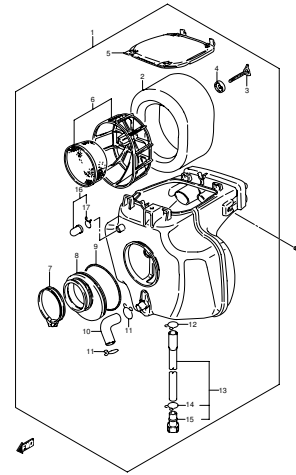
DR200SEK6 E03 E28_009
CAM CHAIN-C

FIG. 10 CARBURETOR (C-2)



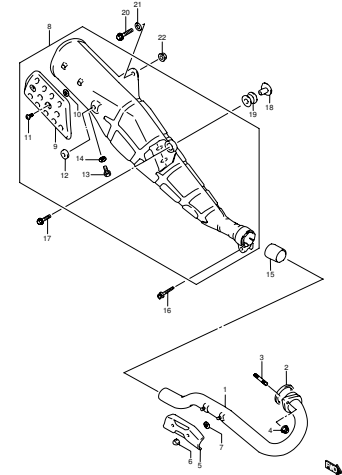
DR200SEK6 E03 E28_010
CARBURETOR-C

FIG. 11 AIR CLEANER (C-3)



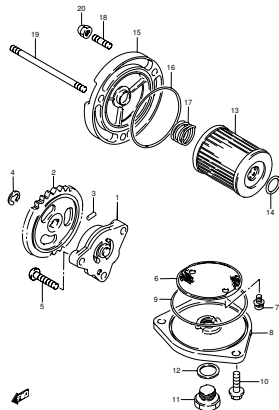
DR200SEK6 E03 E28_011
AIR CLEANER-C

FIG. 12 MUFFLER (C-4)



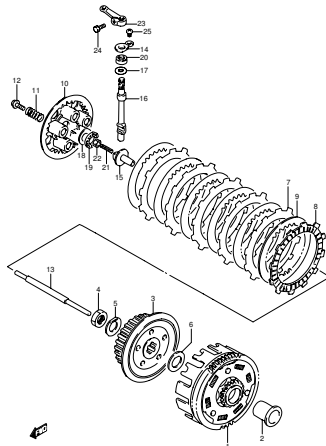
DR200SEK6 E03 E28_012
MUFFLER-C

FIG. 13 OIL PUMP (C-5)



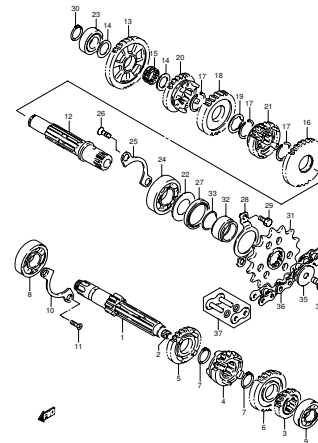
DR200SEK6 E03 E28_013
OIL PUMP-C

FIG. 14 CLUTCH (C-6)



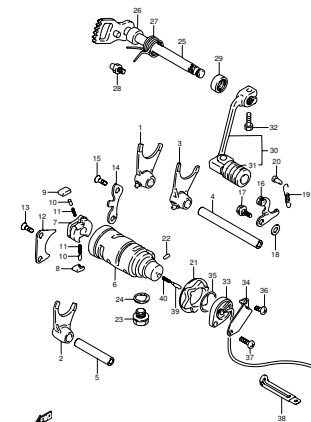
DR200SEK6 E03 E28_014
CLUTCH-C

FIG. 15 TRANSMISSION (C-7)



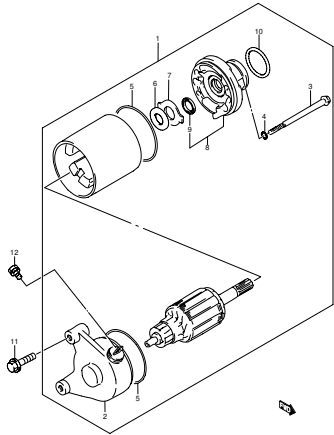
DR200SEK6 E03 E28_015
TRANSMISSION-C

FIG. 16 GEAR SHIFTING (C-9)



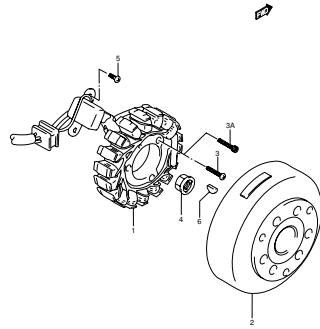
DR200SEK6 E03 E28_016
GEAR SHIFTING-C

FIG. 17 STARTING MOTOR (D-2)



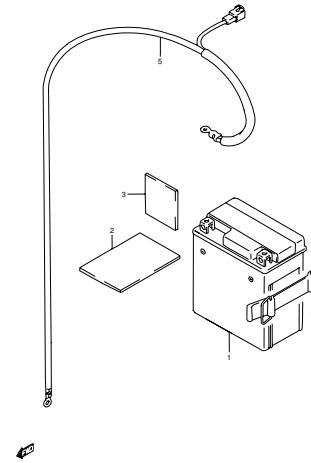
DR200SEK6 E03 E28_017
STARTING MOTOR-C

FIG. 18 MAGNETO (D-3)



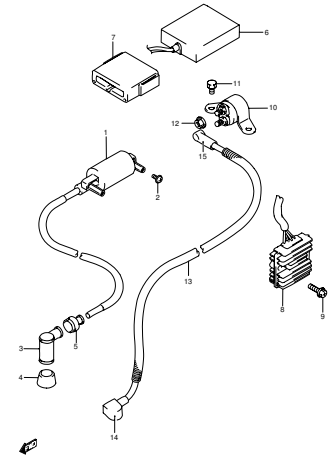
DR200SEK6 E03 E28_018
MAGNETO

FIG. 19 BATTERY (D-4)



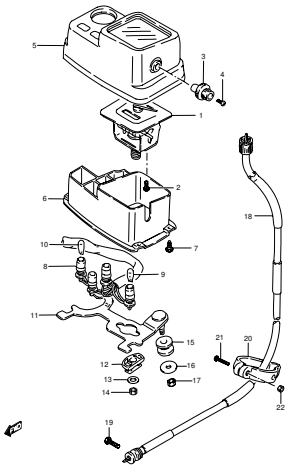
DR200SEK6 E03 E28_019
BATTERY-C

FIG. 20 ELECTRICAL (D-5)



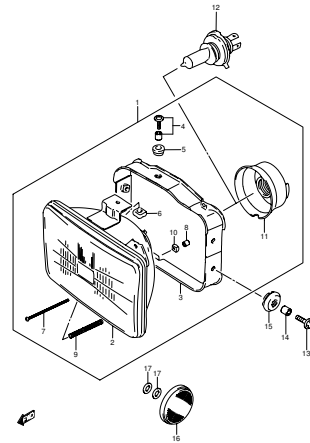
DR200SEK6 E03 E28_020
ELECTRICAL-C

FIG. 21 SPEEDOMETER (D-6)



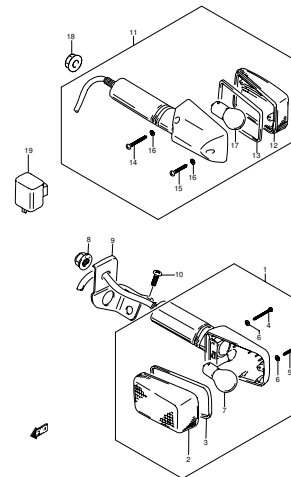
DR200SEK6 E03 E28_021
SPEEDOMETER-C

FIG. 22 HEADLAMP (D-7)



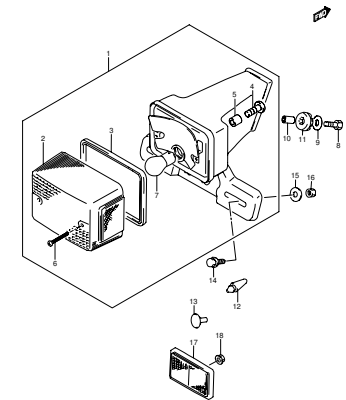
DR200SEK6 E03 E28_022
HEADLAMP

FIG. 23 TURN SIGNAL LAMP (D-8)



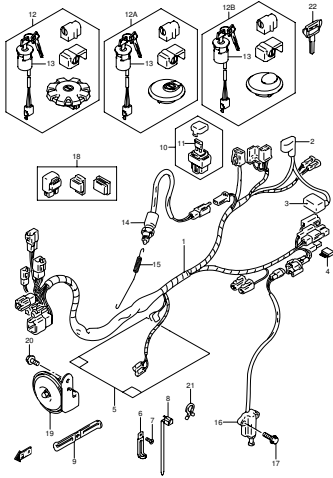
DR200SEK6 E03 E28_023
TURN SIGNAL LAMP-C

FIG. 24 REAR COMBINATION LAMP (D-9)



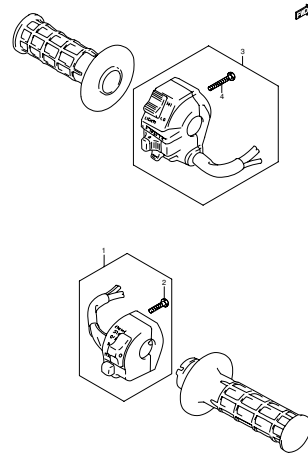
DR200SEK6 E03 E28_024
REAR COMBINATION LAMP-C

FIG. 25 WIRING HARNESS (D-10)



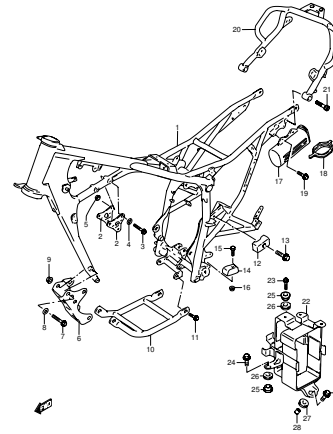
DR200SEK6 E03 E28_025
WIRING HARNESS-C

FIG. 26 HANDLE SWITCH (D-11)



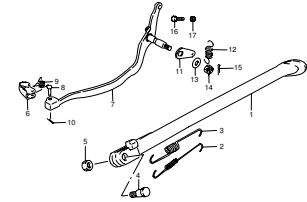
DR200SEK6 E03 E28_026
HANDLE SWITCH-C

FIG. 27 FRAME (E-2)



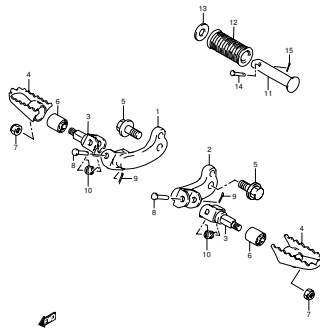
DR200SEK6 E03 E28_027
FRAME-C

FIG. 28 STAND (E-3)



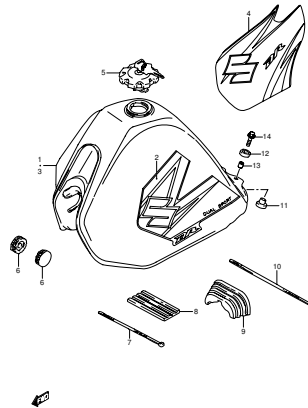
DR200SEK6 E03 E28_028
STAND-C

FIG. 29 FOOTREST (E-4)



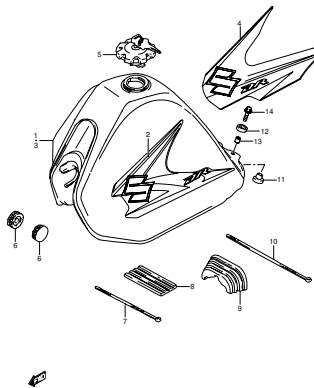
DR200SEK6 E03 E28_029
FOOTREST-C

FIG. 30 FUEL TANK (MODEL K6/ K7) (E-5)



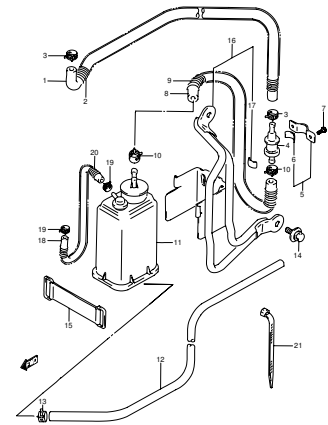
DR200SEK6 E03 E28_030
FUEL TANK-C

FIG. 30A FUEL TANK (MODEL K8/ K9) (E-6)



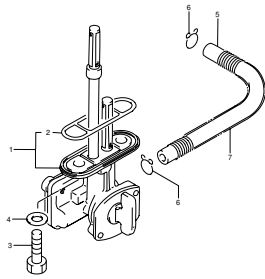
DR200SEK6 E03 E28_030A
FUEL TANK-C

FIG. 31 EVAP SYSTEM (E33) (E-7)



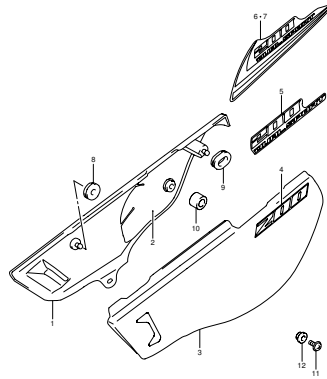
DR200SEK6 E03 E28_031
EVAP SYSTEM-C

FIG. 32 FUEL COCK (E-8)



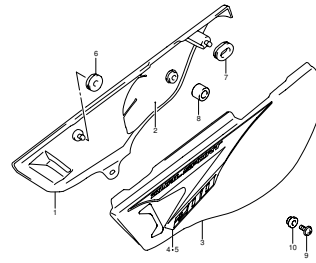
DR200SEK6 E03 E28_032
FUEL COCK-C

FIG. 33 FRAME COVER (MODEL K6/ K7/ K8) (E-9)



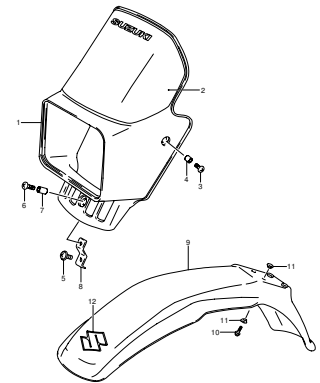
DR200SEK6 E03 E28_033
FRAME COVER-C

FIG. 33 A FRAME COVER (MODEL K9) (E-10)



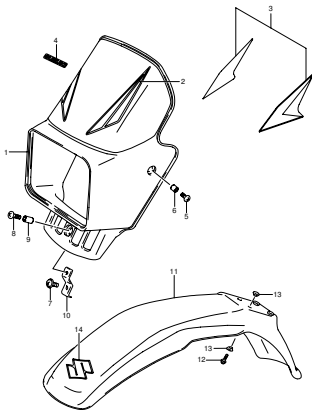
DR200SEK6 E03 E28_033A
FRAME COVER

FIG. 34 HEADLAMP COVER (MODEL K6/ K7) (E-11)



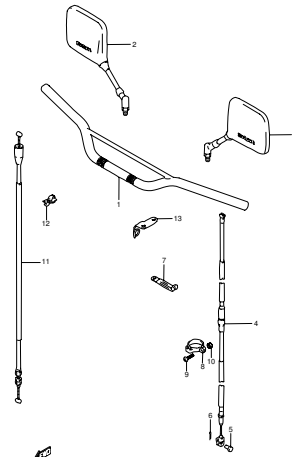
DR200SEK6 E03 E28_034
HEAD LAMP HOUSING-C

FIG. 34 A HEADLAMP COVER (MODEL K8/ K9) (E-12)



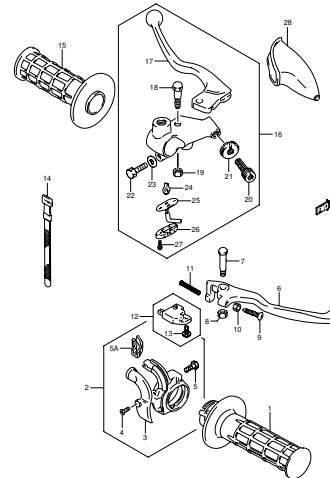
DR200SEK6 E03 E28_034A
HEADLAMP COVER

FIG. 35 HANDLEBAR (E-13)



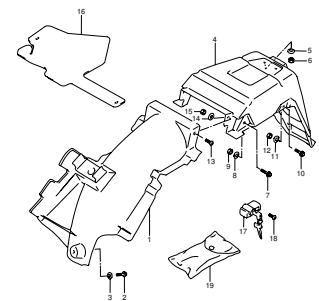
DR200SEK6 E03 E28_035
HANDLE BAR-C

FIG. 36 HANDLE LEVER (E-14)



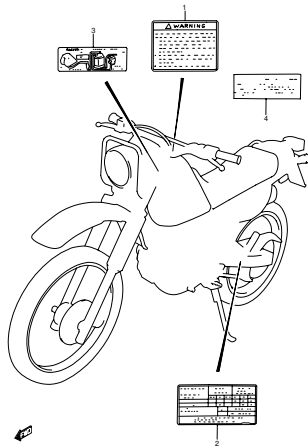
DR200SEK6 E03 E28_036
HANDLE LEVER-C

FIG. 37 REAR FENDER (E-15)



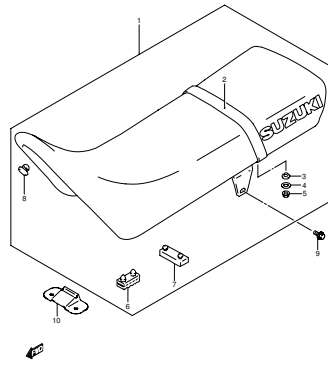
DR200SEK6 E03 E28_037
REAR FENDER-C

FIG. 38 LABEL(E-16)



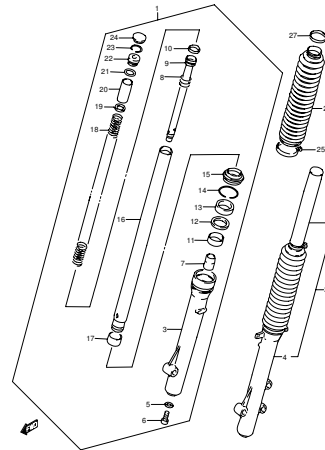
DR200SEK6 E03 E28_038
LABEL-C

FIG. 39 SEAT (F-2)



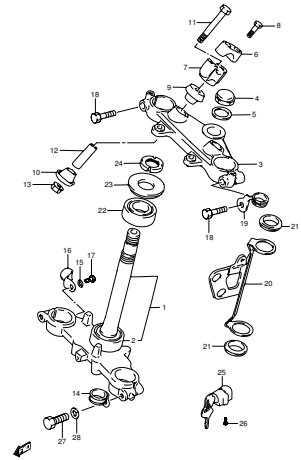
DR200SEK6 E03 E28_039
SEAT-C

FIG. 40 FRONT DAMPER (F-3)



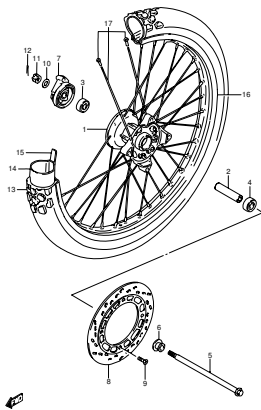
DR200SEK6 E03 E28_040
FRONT DAMPER-C

FIG. 41 STEERING STEM (F-4)



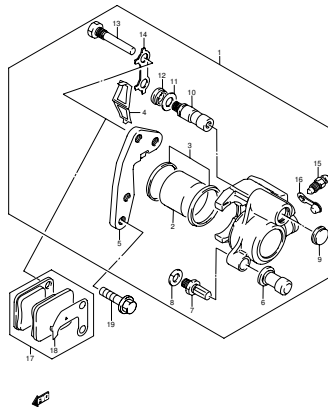
DR200SEK6 E03 E28_041
STEERING STEM-C

FIG. 42 FRONT WHEEL (F-5)



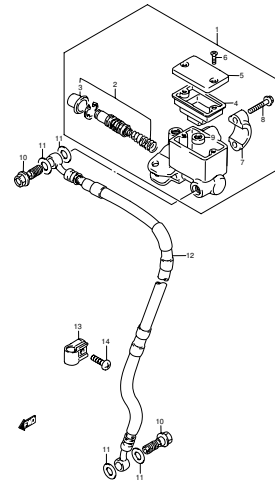
DR200SEK6 E03 E28_042
FRONT WHEEL-C

FIG. 43 FRONT CALIPER (F-6)



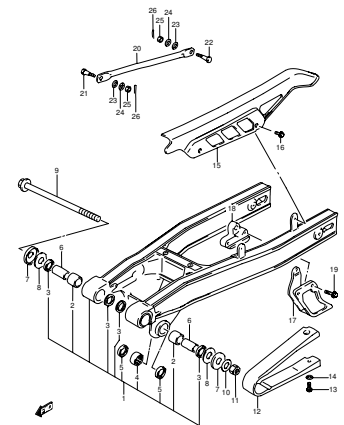
DR200SEK6 E03 E28_043
FRONT CALIPER-C

FIG. 44 FRONT MASTER CYLINDER (F-7)



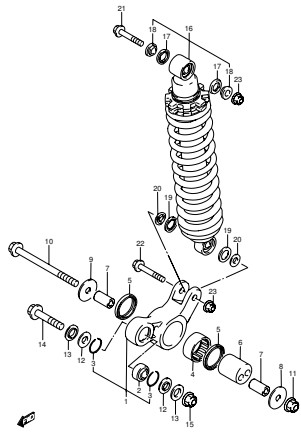
DR200SEK6 E03 E28_044
FRONT MASTER CYLINDER-C

FIG. 45 REAR SWINGING ARM (F-8)



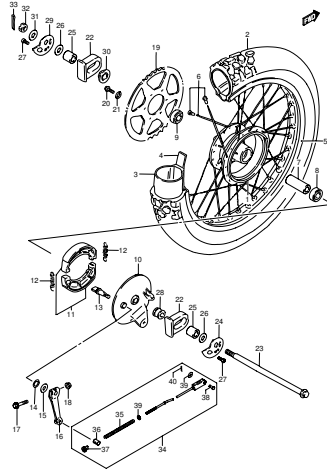
DR200SEK6 E03 E28_045
REAR SWINGING ARM-C

FIG. 46 REAR CUSHION LEVER (F-9)



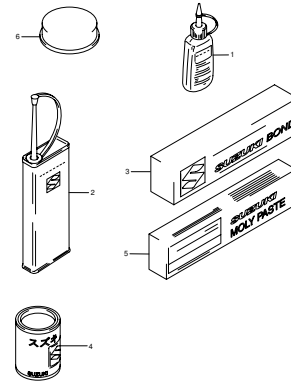
DR200SEK6 E03 E28_046
REAR CUSHION LEVER-C

FIG. 47 REAR WHEEL (F-10)



DR200SEK6 E03 E28_047
REAR WHEEL-C

FIG. 48 OPTIONAL (F-12)



DR200SEK6 E03 E28_048
OPTIONAL-C

FIG.1

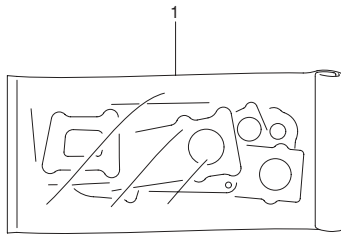


FIG.1 (B-2) GASKET SET

REF NO.	PART NO.	DESCRIPTION	Q'TY		REMARKS
1	11401-42830	GASKET SET	1	OPT	
2	11141-18A00	·GASKET ,CYLINDER HEAD	1	NOT SHOWN	
3	11241-42A10	·GASKET ,CYLINDER	1	NOT SHOWN	
4	11482-05211	·GASKET ,CLUTCH COVER	1	NOT SHOWN	
5	11483-05312	·GASKET ,MAGNETO COVER	1	NOT SHOWN	
6	12837-19B10	·GASKET ,TENSIONER ADJUSTER	1	NOT SHOWN	
7	14181-42A00	·GASKET ,EXHAUST PIPE	1	NOT SHOWN	
8	09168-06023	·GASKET (5.8X13X1.2)	2	NOT SHOWN	
9	09168-08021	·GASKET (8.5X17X2.3)	2	NOT SHOWN	
10	09168-14002	·GASKET (13.8X18.8X4.8)	2	NOT SHOWN	
11	09280-09005	·O RING (D:1.9 ,ID:8.6)	2	NOT SHOWN	
12	09280-13004	·O RING (D:1.9 ,ID:13.0)	1	NOT SHOWN	
13	09280-17003	·O RING (D:3.1 ,ID:16.8)	1	NOT SHOWN	
14	09280-21008	·O RING (D:2.5 ,ID:21.0)	1	NOT SHOWN	
15	09280-22008	·O RING (D:3.1 ,ID:22.7)	1	NOT SHOWN	
16	09280-30001	·O RING (D:3.0 ,ID:29.5)	2	NOT SHOWN	
17	09280-35001	·O RING (D:1.9 ,ID:34.6)	1	NOT SHOWN	
18	09280-54001	·O RING (D:2.4 ,ID:52.6)	1	NOT SHOWN	
19	09280-60005	·O RING (D:2.4 ,ID:60.5)	1	NOT SHOWN	

FIG.2

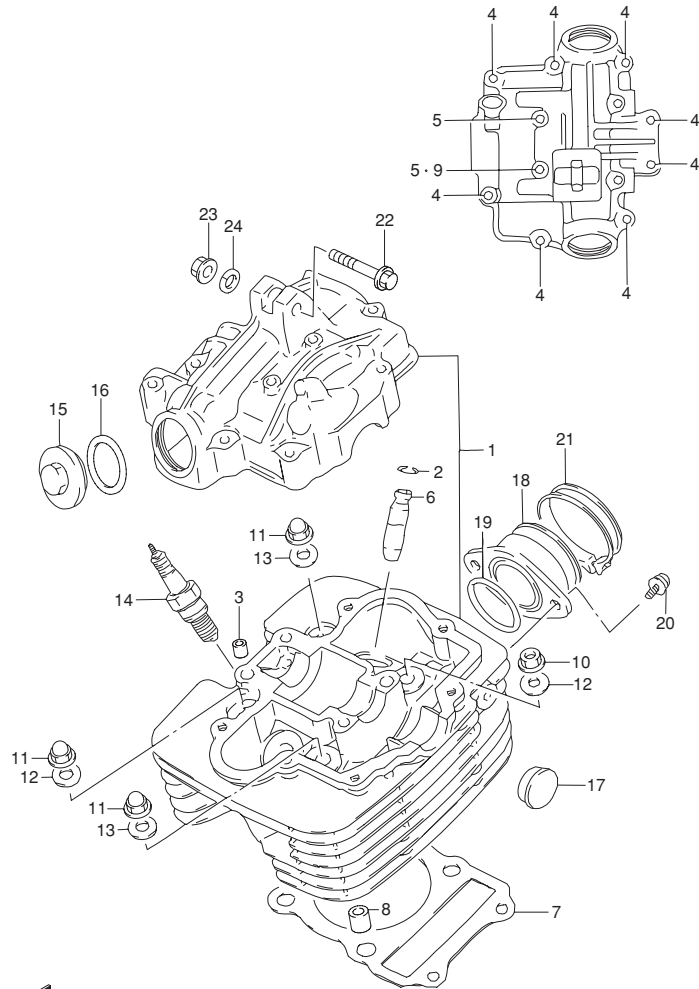


FIG.2 (B-3) CYLINDER HEAD

REF NO.	PART NO.	DESCRIPTION	Q'TY	REMARKS
1	11100-42A20	HEAD ASSY ,CYLINDER	1	
2	09381-10004	·SNAP RING	2	
3	09206-08001	·PIN(8X11)	2	
4	01550-0635B	·BOLT	8	
5	01550-0660B	·BOLT	2	
6	11115-05270	GUIDE ,VALVE (OS:0.3)	2	OPT
7	11141-18A00	GASKET ,CYLINDER HEAD	1	
8	04211-11169	KNOCK PIN	2	
9	09168-06023	GASKET(5.8X13X1.2)	1	
10	08316-1008B	NUT	1	
11	09159-08049	NUT	3	
12	09160-08039	WASHER (8.5X19X2.3)	2	
13	09168-08021	GASKET (8.5X17X2.3)	2	
14-1	09482-00223	SPARK PLUG(ND X24ESR- U)	1	
14-2	09482-00399	SPARK PLUG(NGK ,DR8EA)	1	
15	11175-18900	CAP ,INSPECTION	2	
16	09280-30001	O RING(D:3 ID:29.5)	2	
17	09241-22002	PLUG	1	
18	13110-42A12	PIPE ,INTAKE	1	
19	09280-35001	O RING	1	
20	02112-3616B	SCREW	2	
21	09402-48208	CLAMP	1	
22	09103-08332	BOLT(8X53)	1	
23	08319-3108B	NUT	1	
24	08321-0108B	LOCK WASHER	1	

FIG.3

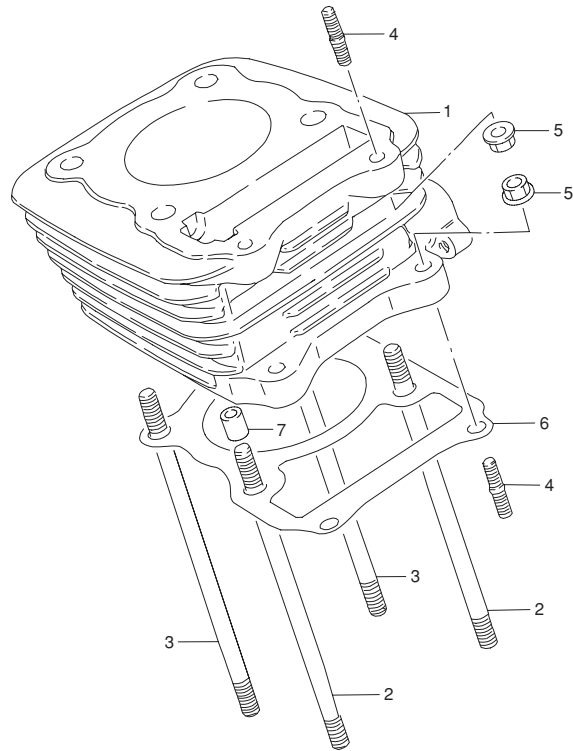


FIG.3 (B-4) CYLINDER

REF NO.	PART NO.	DESCRIPTION	Q'TY	REMARKS
1	11211-13G50-0F0	CYLINDER	1	
2	09108-08195	STUD BOLT (L:160)	2	
3	09108-08184	STUD BOLT (L:167)	2	
4	01421-0625B	STUD BOLT	4	
5	08316-1006B	NUT	4	
6	11241-42A10	GASKET ,CYLINDER	1	
7	04211-11149	KNOCK PIN	2	

FIG.4

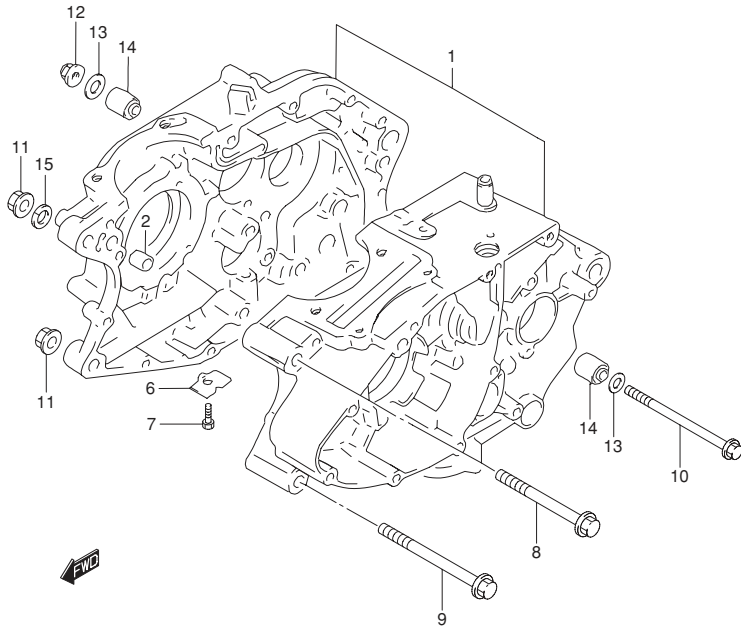
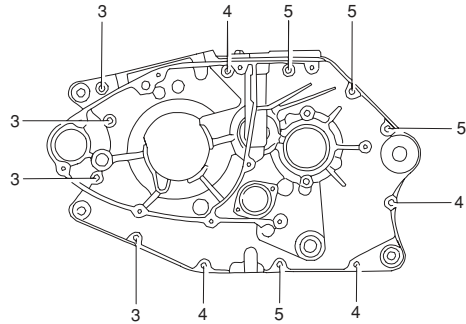


FIG.4 (B-5) CRANKCASE

REF NO.	PART NO.	DESCRIPTION	Q'TY	REMARKS
1	11300-42A24	CRANKCASE ASSY	1	
2	04211-13189	·KNOCK PIN	2	
3	01547-0655B	·BOLT	4	
4	01547-0660B	·BOLT	4	
5	01547-06757	·BOLT	4	
6	11319-05200	·PLATE ,OIL GALLERY PLUG	1	
7	01500-0610B	·BOLT	1	
8	09103-10370	BOLT (10X80)	1	
9	09103-10374	BOLT (10X90)	1	
10	09103-08138	BOLT (8X115)	1	
11	09159-10115	NUT	2	
12	08319-3108B	NUT	1	
13	08212-08182	WASHER	2	
14	09319-08032	BUSH	2	
15	08321-0110B	LOCK WASHER	1	

FIG.5

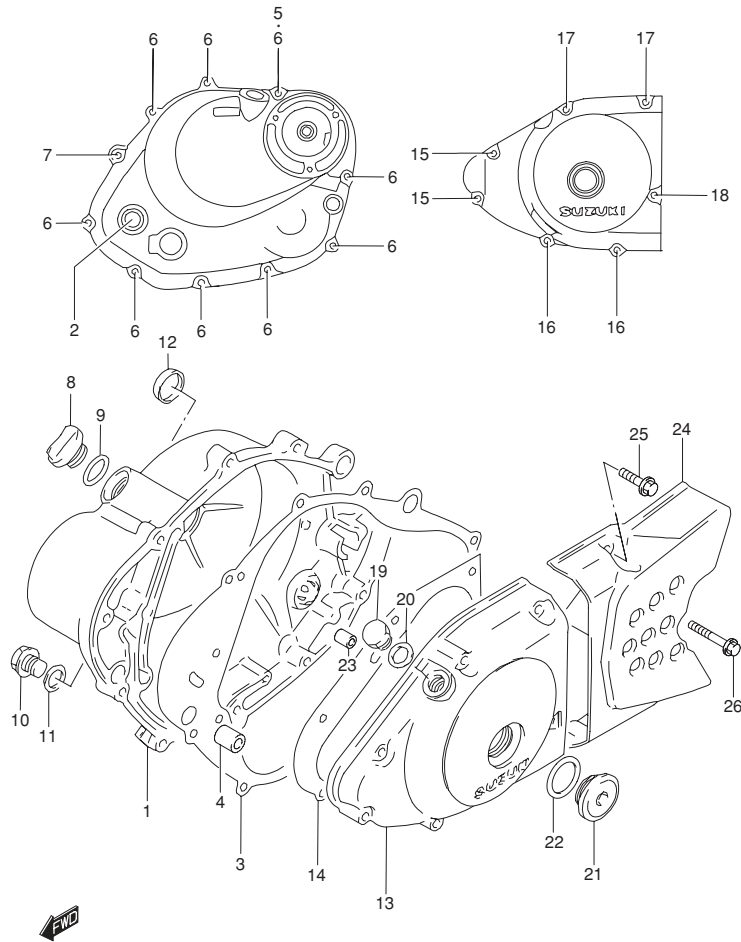


FIG.5 (B-6) CRANKCASE COVER

REF NO.	PART NO.	DESCRIPTION	Q'TY	REMARKS
1	11340-42A30	COVER ,CLUTCH	1	
2	11971-45010	·LENS ,OIL LEVEL	1	
3	11482-05211	GASKET ,CLUTCH COVER	1	
4	04211-13189	KNOCK PIN	2	
5	09168-06023	GASKET(5.8X13X1.2)	1	
6	01547-0630B	BOLT	9	
7	01547-0645B	BOLT	1	
8	09259-20019	PLUG (20X10)	1	
9	09280-17003	O RING(D:3.1 ,ID:16.8)	1	
10	09247-14026	PLUG	1	
11	09168-14002	GASKET(13.8X18.8X0.4)	1	
12	11342-12C51	PLUG ,CLUTCH COVER KICK	1	
13	11351-42A30	COVER ,MAGNETO	1	
14	11483-05312	GASKET ,MAGNETO COVER	1	
15	01547-0630B	BOLT	2	
16	01547-0635B	BOLT	2	
17	01547-0640B	BOLT	2	
18	01547-0650B	BOLT	1	
19	09247-12104	PLUG	1	
20	09168-12002	GASKET(12.1X16.2X3.7)	1	
21	09259-26011	PLUG	1	
22	09280-22008	O RING(D:3.1 ,ID:22.7)	1	
23	04211-09129	KNOCK PIN	1	
24	11360-42A20	COVER ,ENGINE SPROCKET	1	
25	01547-0625B	BOLT	2	
26	01547-0635B	BOLT	1	

FIG.6

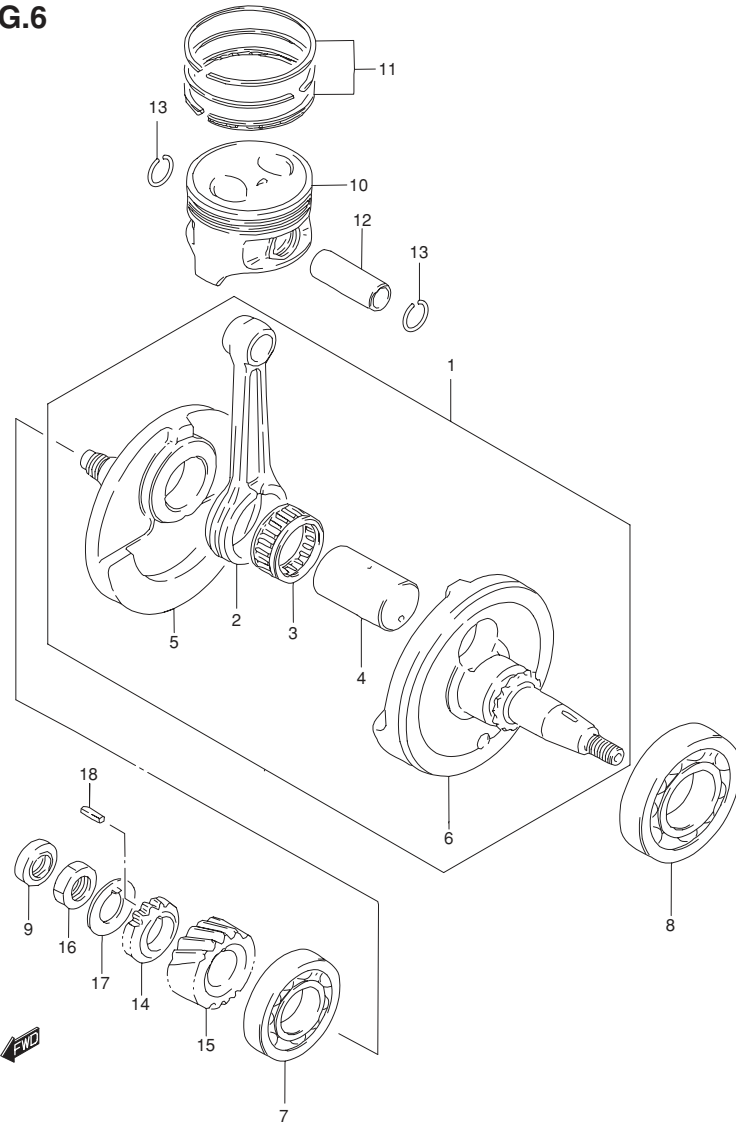


FIG.6 (B-7) CRANKSHAFT

REF NO.	PART NO.	DESCRIPTION	Q'TY	REMARKS
1	12200-42A21	CRANKSHAFT ASSY	1	
2	12161-42A01	·ROD ,CONNECTING	1	
3	09263-31008-0B0	·BEARING	1	
4	12210-42A01	·PIN ,CRANK	1	
5	12221-42A02	·CRANKSHAFT ,RH	1	
6	12261-42A20	·CRANKSHAFT ,LH	1	
7	09262-28014	BEARING (28X68X18)	1	
8	09262-35038	BEARING (35X72X17)	1	
9	09282-12009	OIL SEAL (12X21X7)	1	
10	12111-42A11-0F0	PISTON	1	
11-1	12140-42A01	RING SET ,PISTON(STD)	1	MODEL K6/K7/K8 MODEL K9 E3 ,E28
11-2	12140-22A11	RING SET ,PISTON(STD)	1	MODEL K9 E33
12	12151-22A02	PIN ,PISTON	1	
13	09381-16001	SNAP RING	2	
14	16321-42A00	GEAR ,OIL PUMP DRIVE (NT:15)	1	
15	21111-42A01	GEAR ,PRIMARY DRIVE (NT:19)	1	
16	09140-18004	NUT	1	
17	09166-18003	WASHER	1	
18	09421-04007	KEY	1	

FIG.7

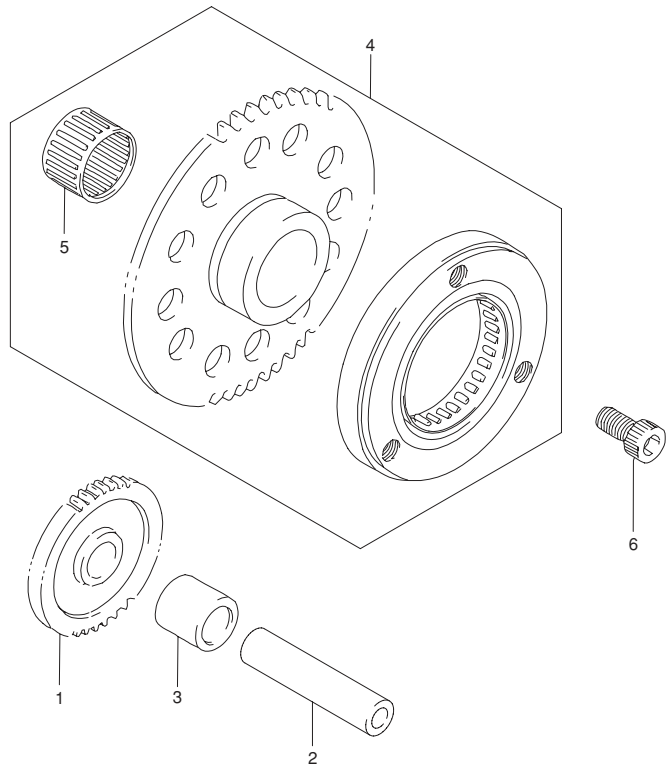


FIG.7 (B-8) STARTER CLUTCH

REF NO.	PART NO.	DESCRIPTION	QTY	REMARKS
1	12611-42A03	GEAR ,STARTER IDLE (NT:44/15)	1	
2	09206-13003	PIN	1	
3	09180-13006	SPACER	1	
4	12600-35843	CLUTCH SET ,STARTER	1	
5	09263-22031	BEARING (22X28X16)	1	
6	09106-08095	BOLT	3	

FIG.8

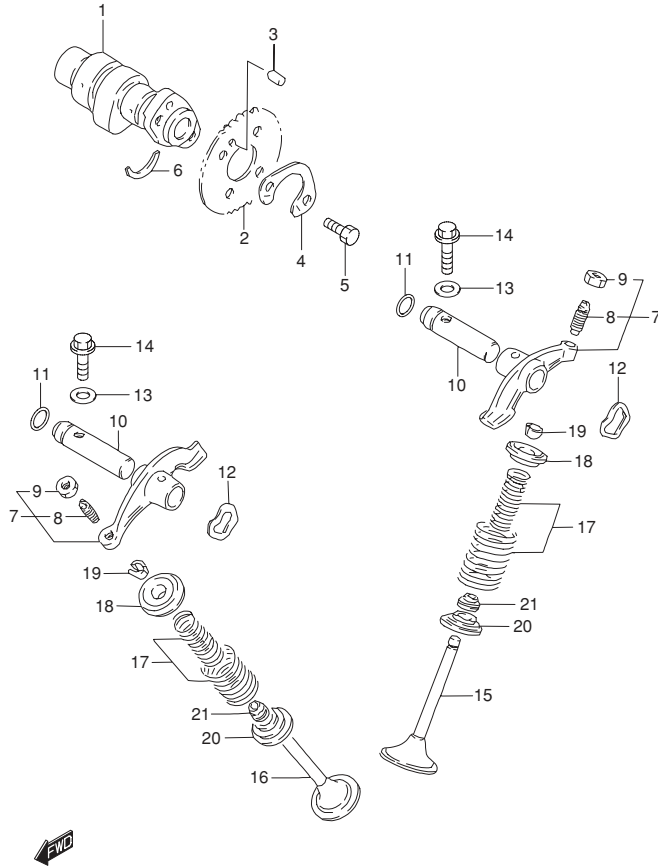


FIG.8 (B-9) CAMSHAFT/VALVE

REF NO.	PART NO.	DESCRIPTION	Q'TY	REMARKS
1	12711-42A10	CAMSHAFT	1	
2	12741-05201	SPROCKET ,CAM SHAFT (NT:32)	1	
3	09261-05005	PIN	1	
4	12747-05202	WASHER ,SPROCKET	1	
5	09100-06166	BOLT (6X10.5)	2	
6	09390-22002	C RING	1	
7-1	12840-25C10	ARM ,VALVE ROCKER	2	MODEL K6/K7/K8 MODEL K9 E3
7-2	12850-25C00	ARM ,VALVE ROCKER	2	MODEL K9 E28 ,E33
8	12842-32411	·SCREW ,ADJ USTING	2	
9	12843-32400	·NUT	2	
10	12861-05201	SHAFT ,VALVE ROCKER ARM	2	
11	09280-09005	O RING (D:1.9 ,ID:8.6)	2	
12	09164-12021	WASHER	2	
13	09168-06023	GASKET (5.8X13X1.2)	2	
14	02162-0625B	BOLT	2	
15	12911-42A00	VALVE ,INTAKE	1	
16	12912-42A00	VALVE ,EXHAUST	1	
17	12920-05210	SPRING SET ,VALVE	2	
18	12931-49201	RETAINER ,VALVE SPRING	2	
19	12932-24400	COTTER ,VALVE	4	
20	12933-49201	SEAT ,VALVE SPRING	2	
21	09289-05015	OIL SEAL (5.5X11X8.2)	2	

FIG.9

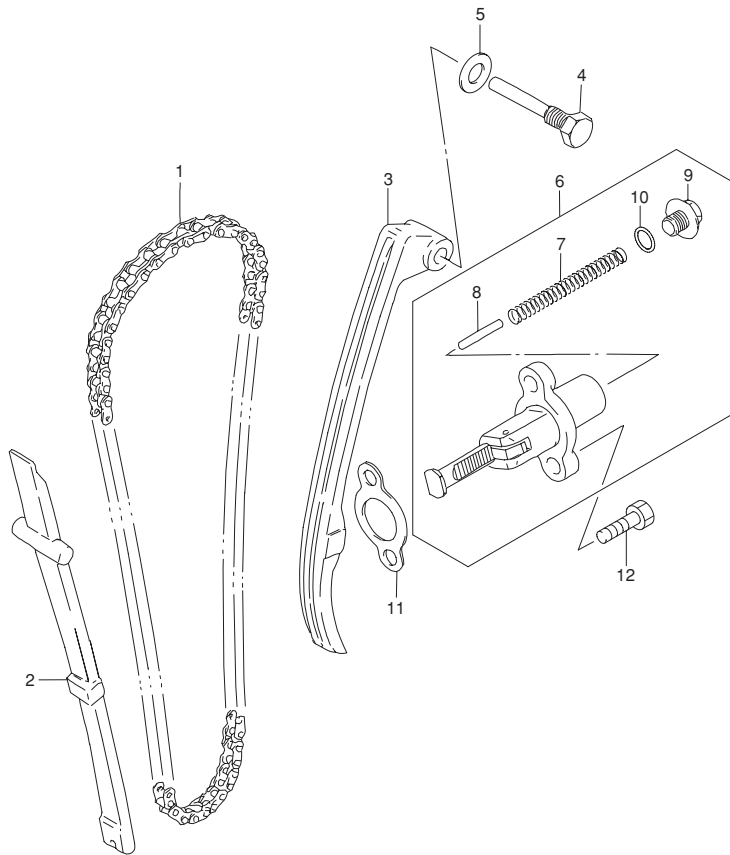


FIG.9 (B-10) CAM CHAIN

REF NO.	PART NO.	DESCRIPTION	Q'TY	REMARKS
1	12760-42A00	CHAIN ,CAM SHAFT DRIVE	1	
2	12771-18A00	GUIDE ,CAM CHAIN	1	
3	12811-18A01	TENSIONER ,CAM CHAIN	1	
4	12812-32410	BOLT ,CAM CHAIN TENSIONER	1	
5	09168-08016	GASKET (8.2X14X1)	1	
6	12830-19B02	ADJUSTER ASSY ,TENSIONER	1	
7	12833-19B00	·SPRING	1	
8	12835-19B00	·BAR	1	
9	12834-19B00	·PLUG	1	
10	12832-02A00	·O RING	1	
11	12837-19B10	GASKET ,TENSIONER ADJUSTER	1	
12	01500-0620B	BOLT	2	

FIG.10

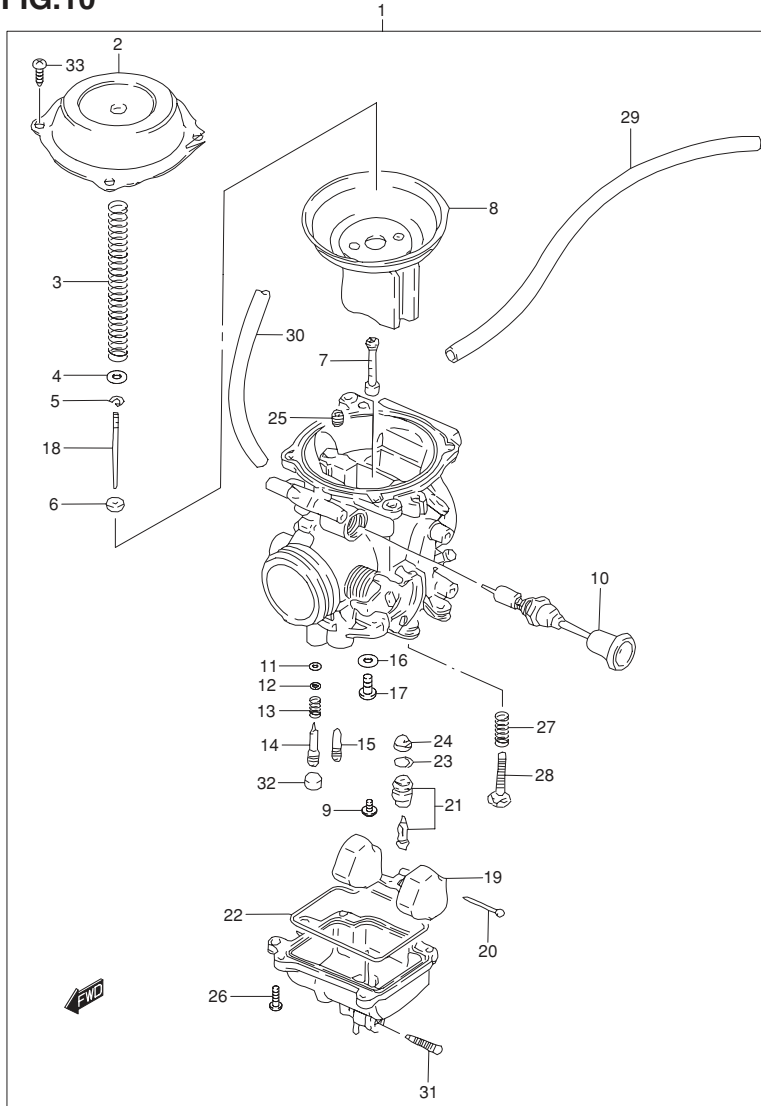


FIG.10 (C-2) CARBURETOR

REF NO.	PART NO.	DESCRIPTION	Q'TY	REMARKS
1-1	13200-42AC1	CARBURETOR ASSY	1	E3 E28
1-2	13200-42AE1	CARBURETOR ASSY	1	E33
2	13502-42A00	·COVER	1	
3	13417-42A00	·SPRING	1	
4	13382-42A00	·RING	1	
5	13394-10010	·CLIP ,NEEDLE	1	
6	13387-47010	·RING	1	
7	09494-00881	·JET ,NEEDLE (P- 5M)	1	
8	13500-42A00	·DIAPHRAGM ASSY	1	
9	13602-43410	·SCREW	1	
10	13411-42A20	·PLUNGER ASSY	1	
11	13295-29900	·O RING	1	
12	13291-29900	·WASHER	1	
13	13268-47070	·SPRING	1	
14	13279-47070	·SCREW ,PILOT (1 1/2)	1	
15	09492-35008	·JET ,PILOT (35)	1	
16	13382-03110	·WASHER	1	
17	09491-25010	·JET ,MAIN (125)	1	
18	13383-42AC0	·NEEDLE ,JET (5D77- 1)	1	
19	13250-42A00	·FLOAT	1	
20	13254-92311	·PIN ,FLOAT	1	
21	13370-44500	·VALVE ASSY ,NEEDLE	1	
22	13251-42A00	·O RING ,FLOAT CHAMBER	1	
23	13374-35C00	·O RING	1	
24	13376-19F00	·FILTER	1	
25	09493-27001	·JET ,AIR (135)	1	
26	02112-0412A	·SCREW	4	
27	13268-37420	·SPRING	1	
28	13267-25D00	·ADJUSTER	1	
29	09352-50823-600	·HOSE (5X8X600)	1	L:600 → 250
30	09355-45855-600	·HOSE (4.5X8.5X600)	1	L:600 → 180
31	13247-13A00	·SCREW ,DRAIN	1	
32	13281-05A00	·PLUG	1	
33	02112-0408B	·SCREW	4	

FIG.11

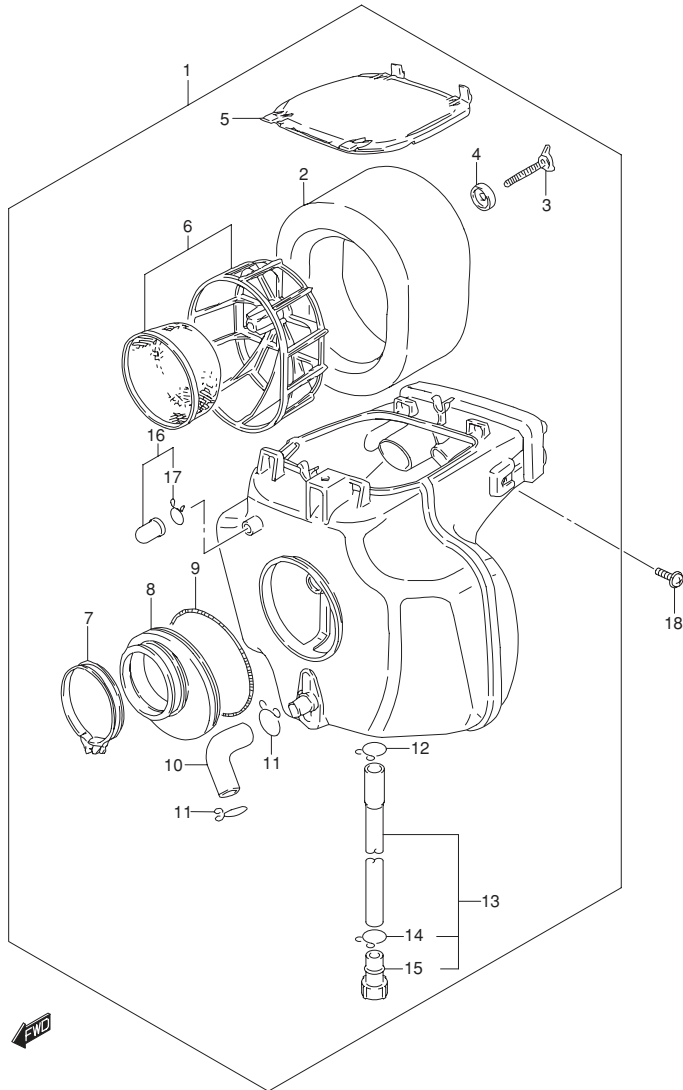


FIG.11 (C-3) AIR CLEANER

REF NO.	PART NO.	DESCRIPTION	Q'TY	REMARKS
1	13700-42A01	CLEANER ASSY ,AIR	1	
2	13780-42A01	·FILTER	1	
3	13831-42A00	·BOLT ,WING	1	
4	13796-16700	·WASHER	1	
5	13740-42A00	·CAP	1	
6	13790-42A00	·HOLDER	1	
7	09402-56208	·CLAMP	1	
8	13881-42A00	·TUBE ,OUTLET	1	
9	13826-38300	·CLAMP ,AIR CLEANER SIDE	1	
10	13853-42A00	·TUBE ,BREATHER	1	
11	09401-14301	·CLIP	2	
12	09401-13409	·CLIP	1	
13	13870-11458	·TUBE ,DRAIN	1	
14	09401-11101	··CLIP	1	
15	13877-38A00	··STOPPER ,DRAIN	1	
16	13870-14F00	·PLUG ,DRAIN	1	
17	09401-16401	··CLIP	1	
18	02112-3616B	SCREW	3	

FIG.12

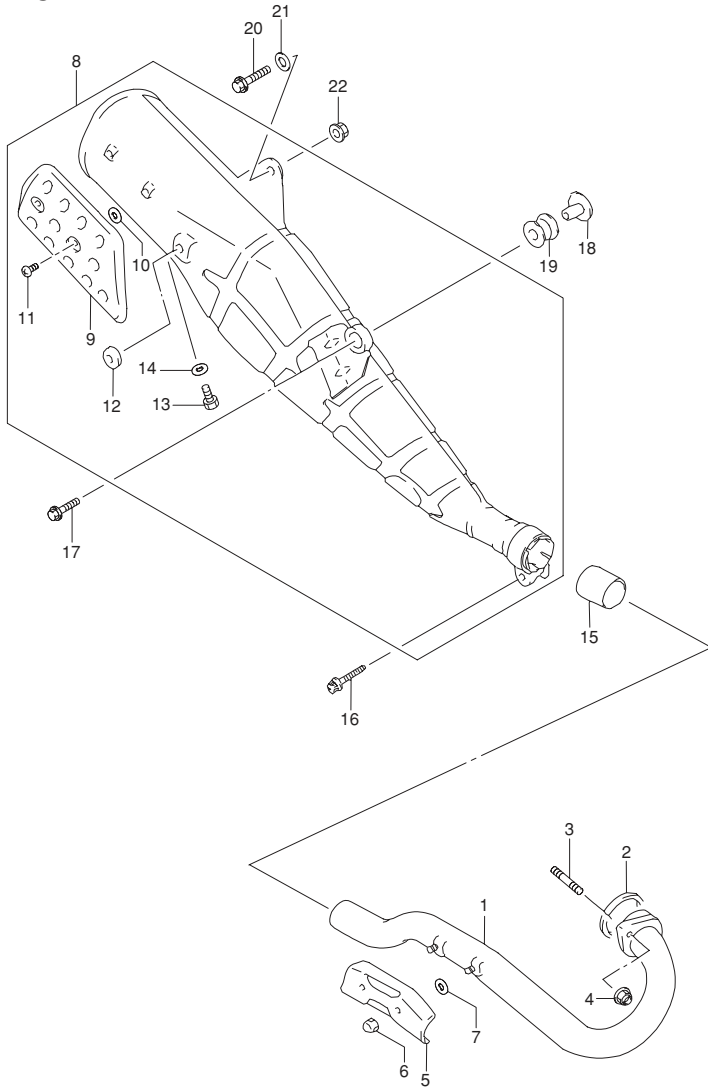


FIG.12 (C-4) MUFFLER

REF NO.	PART NO.	DESCRIPTION	Q'TY	REMARKS
1	14150-42A22	PIPE ,EXHAUST	1	
2	14181-42A00	GASKET ,EXHAUST PIPE	1	
3	01421-0825A	STUD BOLT	2	
4	09159-08067	NUT ,EXH PIPE	2	
5	14186-42A20	COVER ,EXHAUST PIPE	1	
6	09145-06005	NUT	2	
7	09168-06122	GASKET (6X16X1.4)	2	
8	14301-42A61-H01	MUFFLER ASSY	1	
9	14781-42A20	COVER ,MUFFLER	1	
10	09168-06120	GASKET (5.8X13X1.4)	2	
11	09139-06076	SCREW (6X10)	2	
12	09321-10007	CUSHION	1	
13	09247-12103	PLUG ,DRAIN	1	
14	09168-12002	GASKET	1	
15	14773-14202	GASKET ,2ND MUFFLER	1	
16	07120-0835B	BOLT (8X35)	1	
17	09118-08080	BOLT (8X35)	1	
18	09180-08151	SPACER (8.6X12X17.5)	1	
19	09320-12043	CUSHION	1	
20	09103-08357	BOLT (8X35)	1	
21	08322-0108B	WASHER	1	
22	08361-2508B	NUT	1	

FIG.13

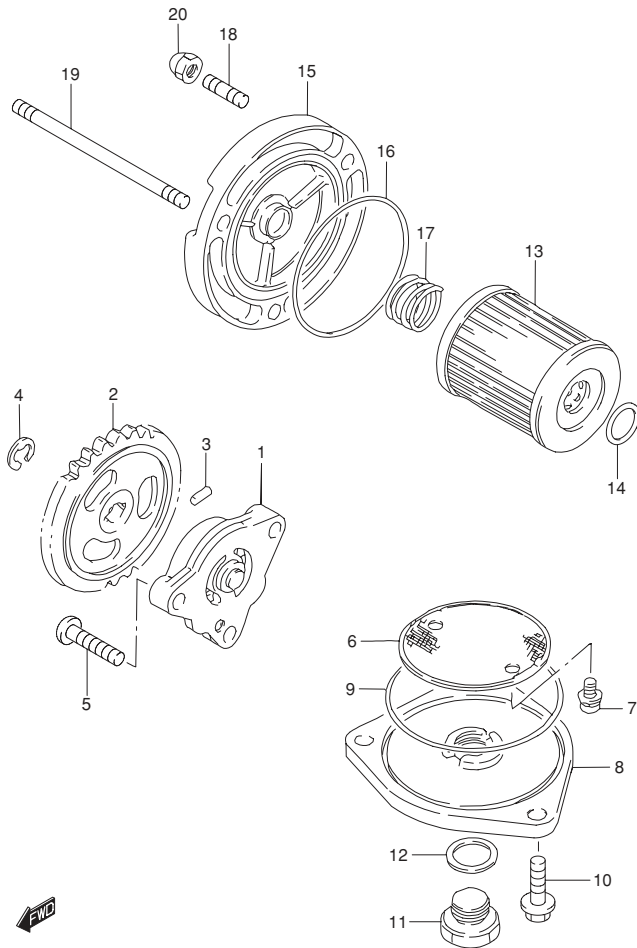


FIG.13 (C-5) OIL PUMP

REF NO.	PART NO.	DESCRIPTION	Q'TY	REMARKS
1	16400-42A01	PUMP ASSY ,ENGINE OIL	1	
2	16331-35C00	GEAR ,OIL PUMP DRIVEN(NT:30)	1	
3	09261-02008	PIN	1	
4	08332-1106A	E RING	1	
5	02112-0625B	SCREW	3	
6	16520-05202	STRAINER ,ENGINE OIL	1	
7	02112-7512A	SCREW	2	
8	16523-05200	CAP ,OIL STRAINER	1	
9	09280-60005	O RING(D:2.4 ,ID:60.5)	1	
10	01547-0620B	BOLT	3	
11	09247-14026	PLUG	1	
12	09168-14002	GASKET (13.8X18.8X0.4)	1	
13	16510-25C00	FILTER ,OIL	1	
14	09280-13004	O RING(D:1.9 ,ID:13)	1	
15	16512-42A20	CAP ,OIL FILTER	1	
16	09280-54001	O RING(D:2.4 ,ID:52.6)	1	
17	09440-18002	SPRING	1	
18	09108-06123	STUD BOLT	2	
19	09108-06108	STUD BOLT (L:90)	1	
20	08313-1006B	NUT	3	

FIG.14

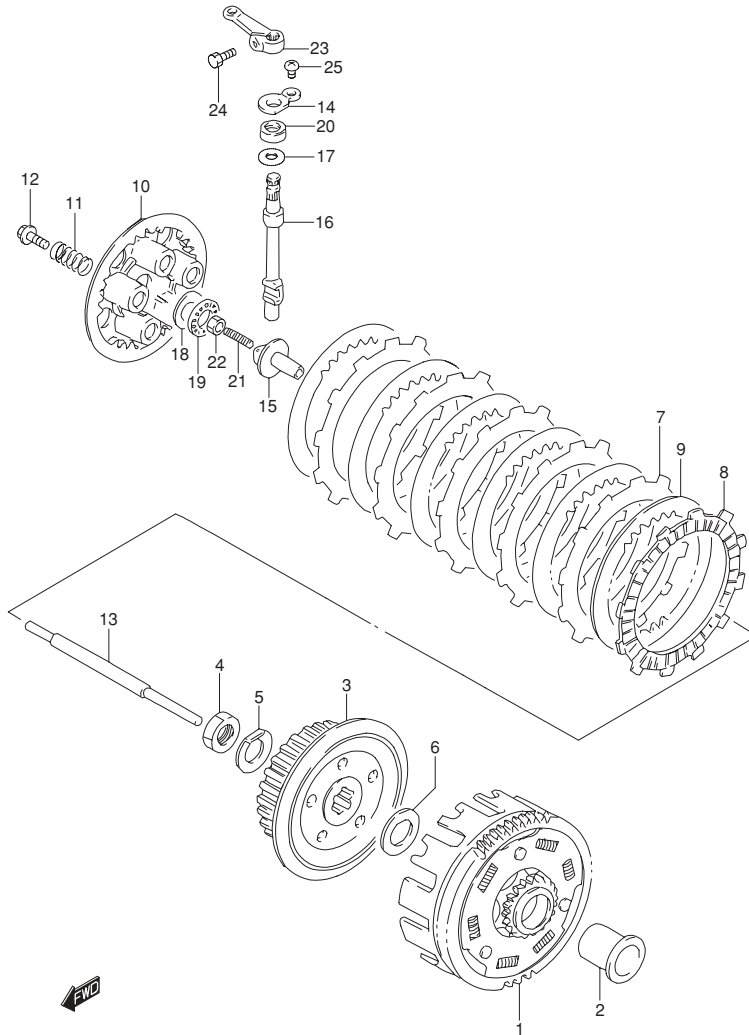


FIG.14 (C-6) CLUTCH

REF NO.	PART NO.	DESCRIPTION	Q'TY	REMARKS
1	21200-42A50	GEAR ASSY ,PRIMARY DRIVEN	1	
2	21251-13E00	SPACER ,PRIMARY DRIVEN	1	
3	21411-42A03	HUB ,CLUTCH SLEEVE	1	
4	09140-16001	NUT	1	
5	09169-16003	WASHER	1	
6	08211-20355	WASHER	1	
7	21441-25C01	PLATE ,CLUTCH DRIVE	5	
8	21441-13A01	PLATE ,CLUTCH DRIVE	1	
9	21451-01B40	PLATE ,DRIVEN(T:1.4)	6	
10	21462-14103	DISC ,CLUTCH PRESSURE	1	
11	09440-15021	SPRING	5	
12	09116-05020	BOLT (5X16)	5	
13-1	23110-05202	ROD ,CLUTCH PRESSURE	1	MODEL K6
13-2	23110-05203	ROD ,CLUTCH PRESSURE	1	MODEL K7/K8/K9
14	23117-05200	RETAINER ,CL RLSE OIL SEAL	1	
15	23121-38201	PIECE ,CLUTCH PUSH	1	
16	23122-05200	CAM SHAFT ,CLUTCH RELEASE	1	
17	09181-10195	THRUST WASHER (10X20X1.0)	1	
18	09160-15045	WASHER (15.5X28X1)	1	
19	09263-15003	BEARING (15X28X2)	1	
20	09282-10012	OIL SEAL (10X20X6)	1	
21	09134-06010	SCREW	1	
22	09140-06023	NUT (6X3.6)	1	
23	23271-46010	ARM ,CLUTCH RELEASE	1	
24	01500-0616B	BOLT	1	
25	02142-0610B	SCREW	1	

FIG.15

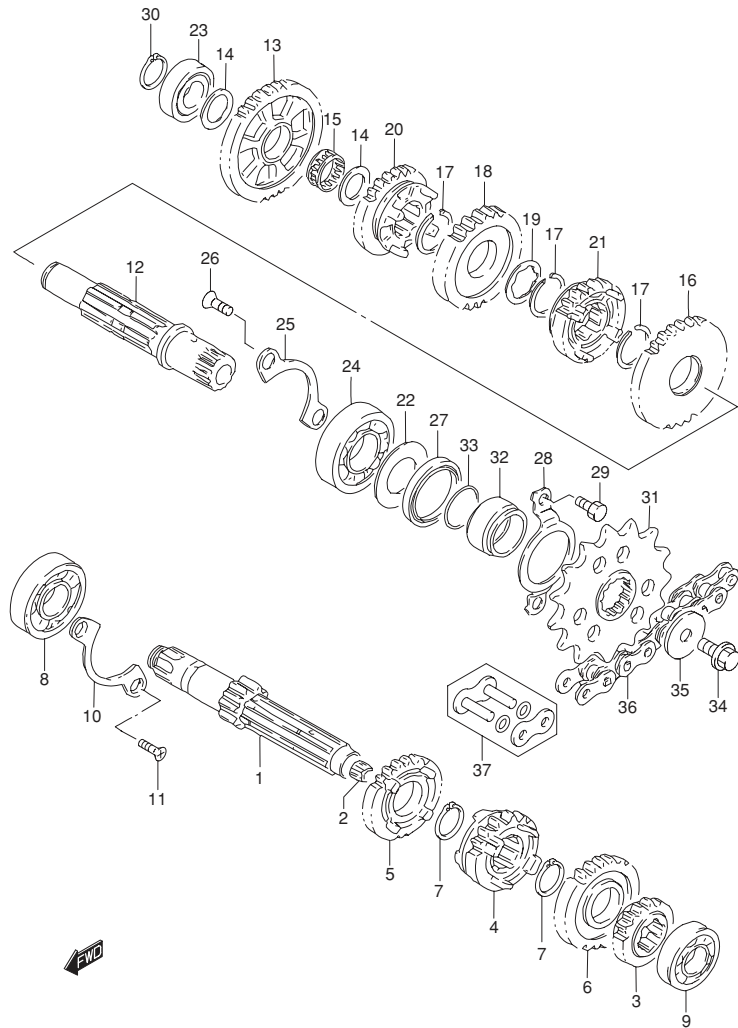


FIG.15 (C-7) TRANSMISSION

REF NO.	PART NO.	DESCRIPTION	Q'TY	REMARKS
1-1	24120-42A01	SHAFT ,COUNTER (NT:11)	1	MODEL K6/K7/K8
1-2	24120-42A10	SHAFT ,COUNTER (NT:11)	1	MODEL K9
2	24125-38201	·BUSH	1	
3	24221-42A02	GEAR ,2ND DRIVE (NT:15)	1	
4	24231-42A03	GEAR ,3RD DRIVE (NT:16)	1	
5	24241-42A00	GEAR ,4TH DRIVE (NT:21)	1	
6	24251-42A03	GEAR ,5TH DRIVE (NT:23)	1	
7	09380-20009	CIRCLIP	2	
8	09262-20069	BEARING (20X47X14)	1	
9	08123-60027	BEARING	1	
10	24741-05200	RETAINER ,CNTR SHAFT BRG	1	
11	02122-0612A	SCREW	2	
12	24130-42A20	SHAFT ,DRIVE	1	
13	24311-42A00	GEAR ,1ST DRIVEN(NT:33)	1	
14	09181-17167	THRUST WASHER (17X26X1.0)	2	
15	09263-17004	BEARING (17X21X9.8)	1	
16	24320-42A03	GEAR ,2ND DRIVEN(NT:29)	1	
17	09380-22006	CIRCLIP	3	
18	24331-42A02	GEAR ,3RD DRIVEN(NT:23)	1	
19	09167-22011	LOCK WASHER	1	
20	24341-42A02	GEAR ,4TH DRIVEN(NT:23)	1	
21	24351-42A02	GEAR ,5TH DRIVEN(NT:21)	1	
22	24359-42A00	WASHER ,OIL SEALING	1	
23	09264-17001	BEARING (17X36X12)	1	
24	09262-22018	BEARING (22X50X14)	1	
25	24741-05200	RETAINER ,DRIVE SHAFT BEARING	1	
26	02122-0612A	SCREW	2	
27	09283-30053	OIL SEAL (30X40X6)	1	

FIG.15

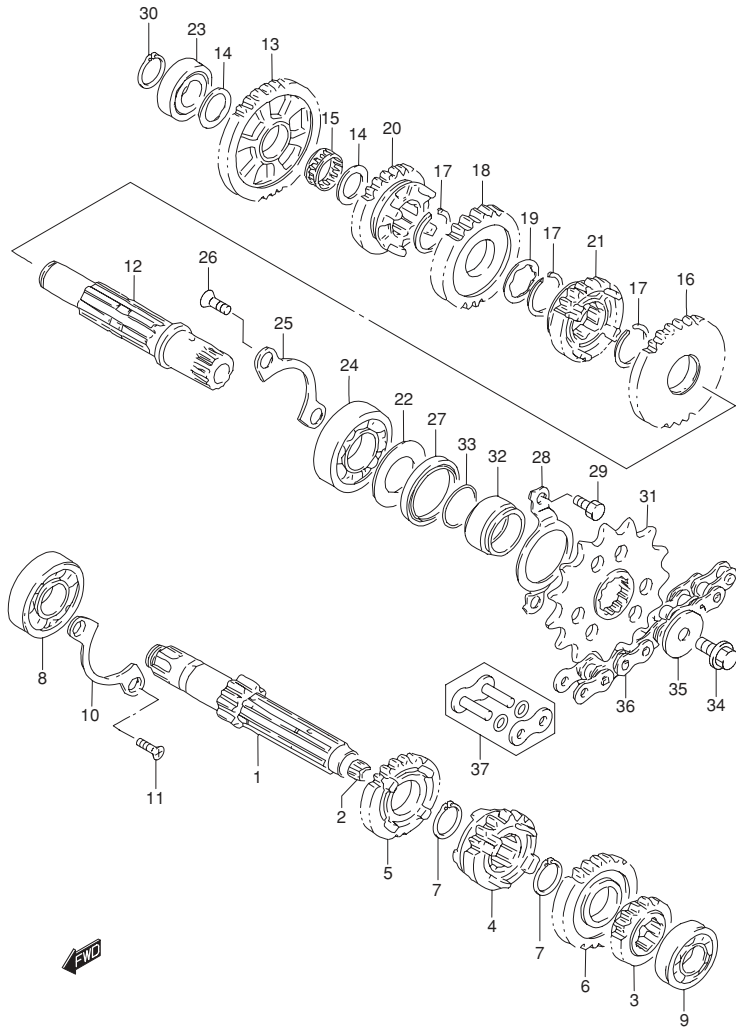


FIG.15 (C-8) TRANSMISSION

REF NO.	PART NO.	DESCRIPTION	Q'TY	REMARKS
28	24751-42A10	RETAINER ,DRIVE SHAFT OIL SEAL	1	
29	01500-0610B	BOLT	2	
30	08331-3117A	CIRCLIP	1	
31	27510-42A10	SPROCKET ,ENGINE (NT:15)	1	
32	27531-42A00	SPACER ,ENGINE SPROCKET	1	
33	09280-21008	O RING (D:2.5 ,ID:21)	1	
34	01550-0812B	BOLT	1	
35	08211-08283	WASHER	1	
36	27600-14A10-112	CHAIN ,DRIVE (DID520V)	1	L:112
37	27620-14A10	JOINT SET	1	OPT

FIG.16

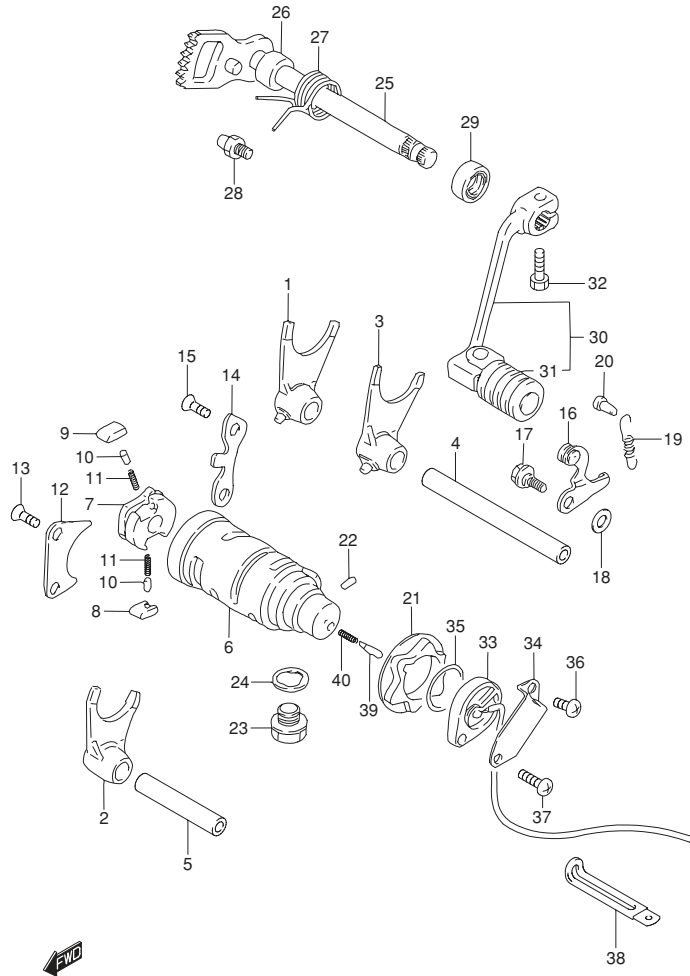


FIG.16 (C-9) GEAR SHIFTING

REF NO.	PART NO.	DESCRIPTION	Q'TY	REMARKS
1	25211-42A02	FORK , GEAR SHIFT NO.1	1	
2	25221-42A02	FORK , GEAR SHIFT NO.2	1	
3	25231-42A02	FORK , GEAR SHIFT NO.3	1	
4	25411-16701	SHAFT , GEAR SHIFT FORK , NO.1	1	
5	25421-35410	SHAFT , GEAR SHIFT FORK , NO.2	1	
6	25310-42A00	CAM , GEAR SHIFT	1	
7	25322-31310	GEAR , GEAR SHIFT CAM DRIVEN	1	
8	25323-34201	POLE , GEAR SHIFT NO.1	1	
9	25324-34201	POLE , GEAR SHIFT NO.2	1	
10	09261-05003	PIN (5X8)	2	
11	09440-04003	SPRING	2	
12	25331-30001	LIFTER , GEAR SHIFT POLE	1	
13	09126-06011	SCREW (6X12)	2	
14	25341-05200	GUIDE , GEAR SHIFT CAM	1	
15	09126-06011	SCREW (6X12)	2	
16	25350-42A01	STOPPER , GEAR SHIFT CAM	1	
17	09111-06054	BOLT	1	
18	08211-06141	WASHER	1	
19	09443-10036	SPRING	1	
20	09223-04001	HOOK	1	
21	25381-04700	PLATE , GEAR SHIFT CAM STOPPER	1	
22	04221-04069	PIN	1	
23	09247-14026	PLUG	1	
24	09168-14002	GASKET (13.8X18.8X0.4)	1	
25	25510-05201	SHAFT , GEAR SHIFTING	1	
26	09180-12068	SPACER (12X20X15.3)	1	
27	09444-26023	SPRING	1	
28	25671-01011	STOPPER , RETURN SPRING	1	
29	09285-12002	OIL SEAL (12X22X9)	1	

FIG.16

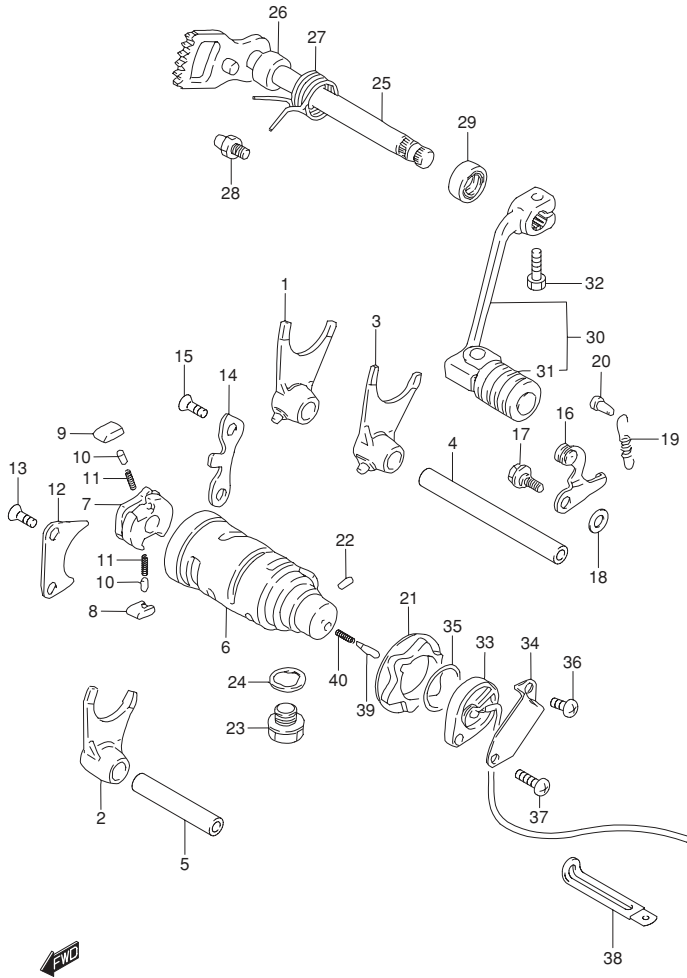


FIG.16 (C-10) GEAR SHIFTING

REF NO.	PART NO.	DESCRIPTION	Q'TY	REMARKS
30	25600-42A00	LEVER ASSY ,GEAR SHIFT	1	
31	25652-03D00	·RUBBER ,GEAR SHIFT PEDAL	1	
32	01500-0620B	BOLT	1	
33	37720-42A30	BASE ASSY ,NEUTRAL SWITCH	1	
34	37721-42A00	PROTECTOR ,GEAR SHIFT SWITCH	1	
35	09280-22001	O RING (D:2.4 ID:21.8)	1	
36	02112-0508A	SCREW	1	
37	02112-0516A	SCREW	1	
38	09404-06429	CLAMP (L:45)	3	
39	09209-05011	CONTACT	1	
40	09440-04010	SPRING	1	

2

FIG.17

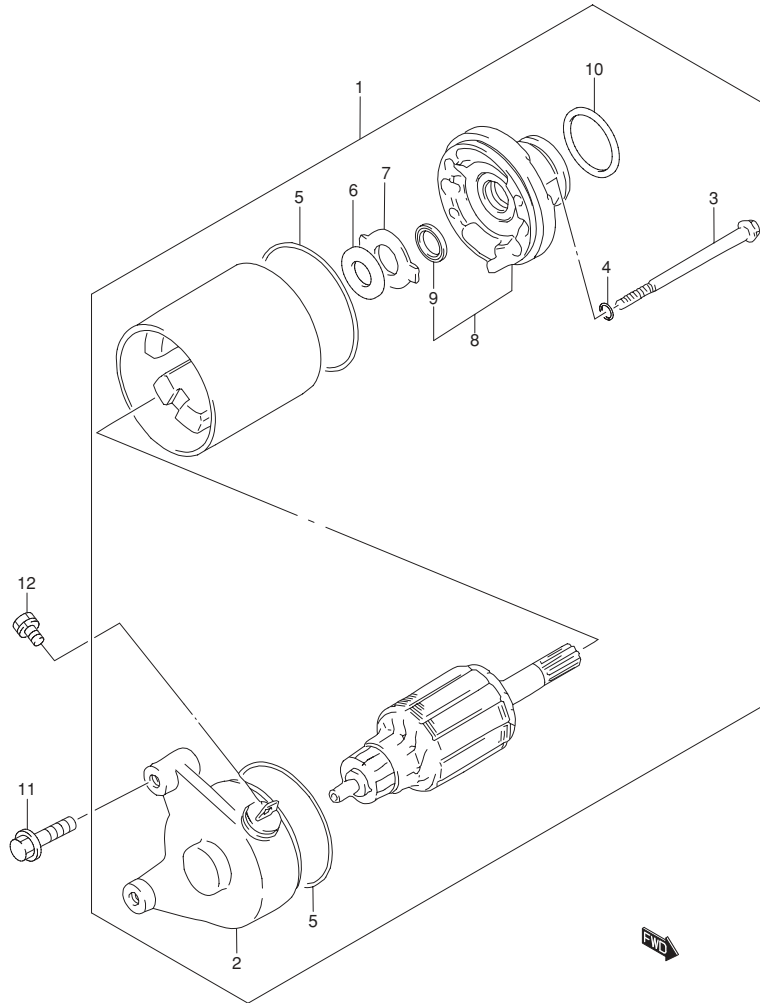


FIG.17 (D-2) STARTING MOTOR

REF NO.	PART NO.	DESCRIPTION	Q'TY	REMARKS
1	31100-42A20	MOTOR ASSY ,STARTING	1	
2	31175-42A20	·FRAME ASSY ,COMMUTATOR END	1	
3	31281-08F00	·BOLT	2	
4	31156-08F00	·O RING	2	
5	31264-32C10	·O RING	2	
6	31361-38300	·SHIM	1	
7	31361-32C10	·PLATE ,LOCK	1	
8	31150-08F00	·BRACKET	1	
9	31153-49210	··OIL SEAL	1	
10	09280-24003	·O RING (D:3.0 ,ID:24.5)	1	
11	01547-0630B	BOLT	2	
12	09137-05004	SCREW(5X8)	1	

FIG.18

FIG.18 (D-3) MAGNETO

REF NO.	PART NO.	DESCRIPTION	Q'TY	REMARKS
1-1	32101-42A30	STATOR ASSY	1	MODEL K6
1-2	32101-42A40	STATOR ASSY	1	MODEL K7/K8/K9
2	32102-42A30	ROTOR ASSY	1	
3	02112-0525B	SCREW	3	MODEL K6/K7/K8
3A	07130-0525B	BOLT	3	MODEL K9
4	31792-26F10	NUT (M12X1.25)	1	
5	02112-0512B	SCREW	2	
6	09420-03008	KEY	1	

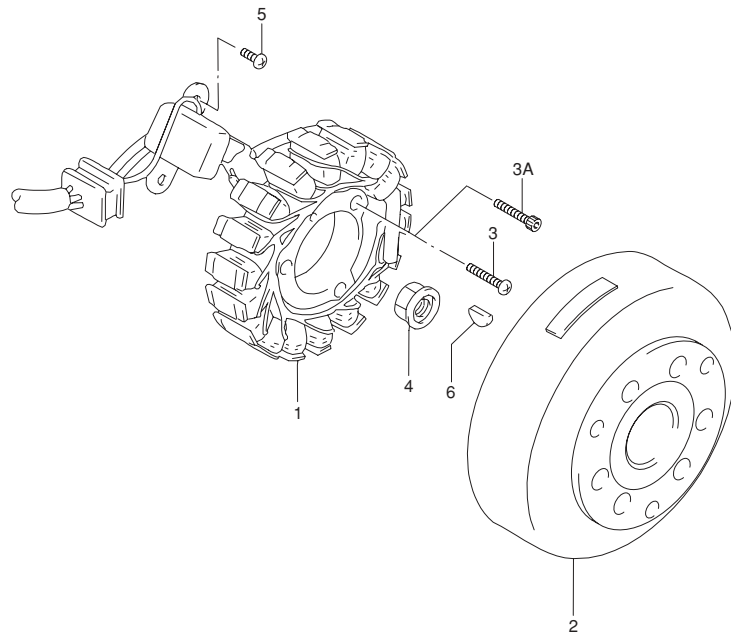


FIG.19

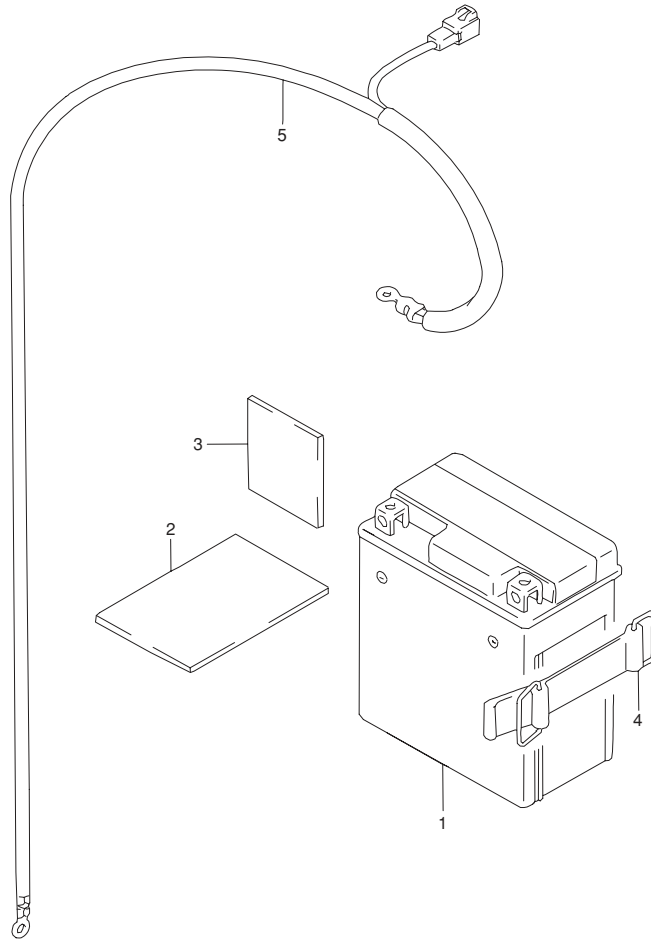


FIG.19 (D-4) BATTERY

REF NO.	PART NO.	DESCRIPTION	Q'TY	REMARKS
1	33610-15D20	BATTERY ASSY (YTX7L- BS ,12V ,6AH)	1	
2	33651-37000	CUSHION(170X95X3)	1	CUT AS REQUIRED PROFILE (40X85X3)
3	33651-37000	CUSHION(170X95X3)	5	CUT AS REQUIRED PROFILE (30X50X3)
4	09462-00093	BAND	1	
5	33860-44A00	WIRE ,BATTERY (-)	1	



FIG.20

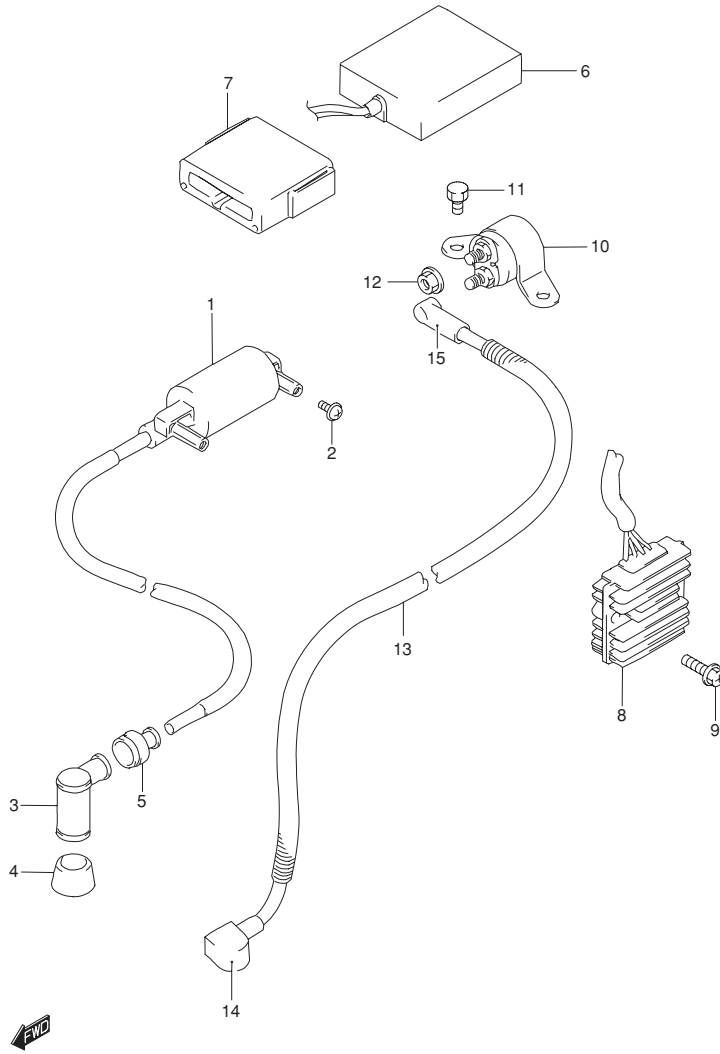


FIG.20 (D-5) ELECTRICAL

REF NO.	PART NO.	DESCRIPTION	Q'TY	REMARKS
1	33410-05350	COIL ASSY ,IGNITION	1	
2	02142-0510B	SCREW	2	
3	33510-22010	CAP ,SPARK PLUG	1	
4	33541-38210	SEAL ,SPARK PLUG CAP	1	
5	33542-38B00	SEAL ,HIGH TENSION CORD	1	
6	32900-42A30	CDI UNIT	1	
7	32980-44A00	CUSHION ,CDI UNIT	1	
8	32800-08D10	RECTIFIER	1	
9	02162-0625B	BOLT	2	
10	31800-15501	RELAY ASSY ,STARTING MOTOR	1	
11	09128-06044	SCREW(6X10)	2	
12	08361-3506A	NUT	2	
13	33810-44A00	WIRE ,STARTER MOTOR LEAD	1	
14	31861-06C00	·CAP ,STARTER MOTOR TERMINAL	1	
15	31861-10D00	·CAP ,STARTER RELAY	1	

FIG.22

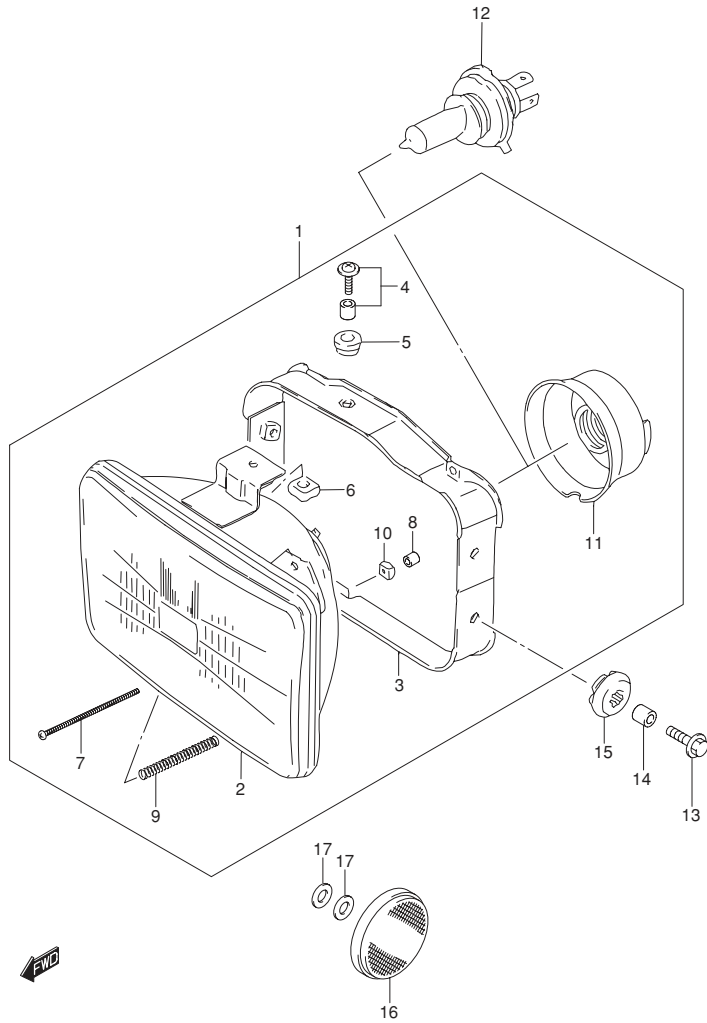


FIG.22 (D-7) HEADLAMP

REF NO.	PART NO.	DESCRIPTION	Q'TY	REMARKS
1	35100-14A32-999	HEADLAMP ASSY	1	
2	35121-14A32	·LAMP UNIT	1	
3	35141-14A00	·RING , MOUNTING	1	
4	35136-38A00	·SCREW , MOUNTING	1	
5	35139-45230	·CUSHION	1	
6	35135-45900	·NUT	1	
7	35151-45900	·SCREW	2	
8	35158-43400	·CAP	1	
9	35154-49200	·SPRING	2	
10	35152-45600	·NUT	2	
11	35173-01440	·COVER , SOCKET	1	
12	09471-12185	BULB(12V ,60/55W)	1	
13	09116-06212	BOLT (6X20)	4	
14	09180-06263	SPACER (6.5X9X9)	4	
15	09320-09018	CUSHION	4	
16	35950-14A10	REFLECTOR , FRONT SIDE	2	
17	09160-05049	WASHER , FR (5X10X1.0)	4	

FIG.23

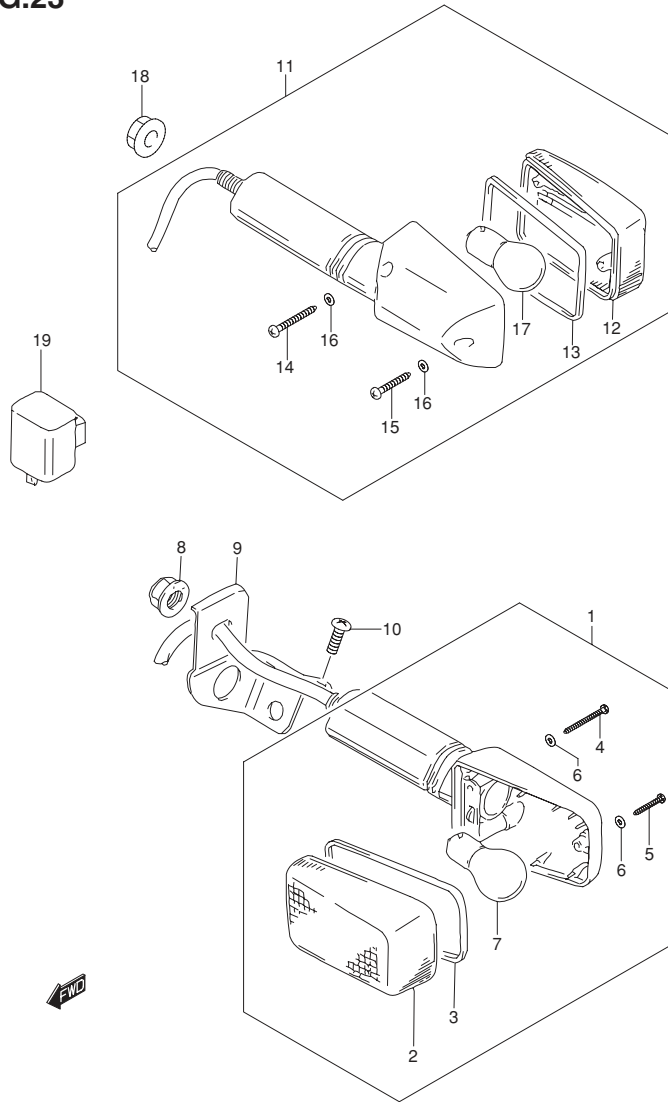


FIG.23 (D-8) TURN SIGNAL LAMP

REF NO.	PART NO.	DESCRIPTION	Q'TY	REMARKS
1	35601-29E C0	LAMP ASSY ,FRONT TURN SIGNAL	2	
2	35612-17C20	·LENS ,FRONT TURN SIGNAL	2	
3	35613-27A00	·GASKET	2	
4	35623-27A00	·SCREW	4	
5	35725-40511	·SCREW	2	
6	35627-27A02	·GASKET	6	
7	09471-12045	·BULB (12V 21W)	2	
8	08316-1010B	NUT	2	
9-1	35670-44A01	BRACKET ,FRONT TURN RH	1	
9-2	35680-44A01	BRACKET ,FRONT TURN LH	1	
10	02142-0508B	SCREW	2	
11	35603-29E K0	LAMP ASSY ,REAR TURN SIGNAL	2	
12	35652-17C20	·LENS ,REAR TURN SIGNAL	2	
13	35613-27A00	·GASKET	2	
14	35623-27A00	·SCREW	2	
15	35725-40511	·SCREW	2	
16	35627-27A02	·GASKET	2	
17	09471-12045	·BULB (12V 21W)	2	
18	08316-1010B	NUT	2	
19	38610-31X50	RELAY ,TURN SIGNAL	1	

FIG.24

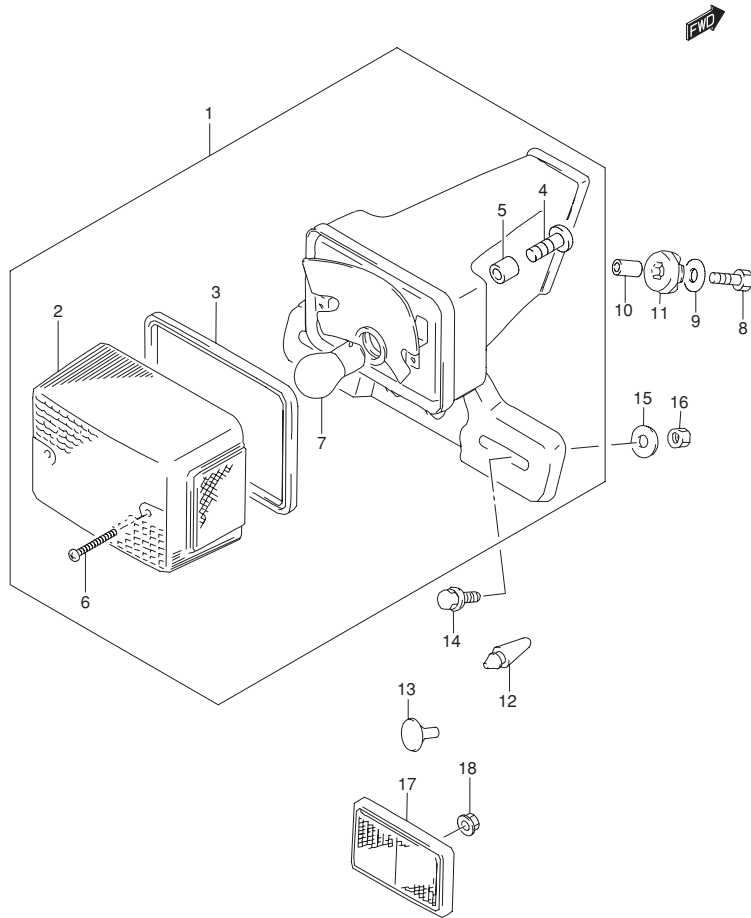


FIG.24 (D-9) REAR COMBINATION LAMP

REF NO.	PART NO.	DESCRIPTION	Q'TY	REMARKS
1	35710-42A30	LAMP ASSY ,NEAR COMBINATION	1	
2	35712-42A30	·LENS	1	
3	35713-14D30	·GASKET	1	
4	09125-06055	·SCREW (6X25)	2	
5	35766-14D30	·SPACER	2	
6	09125-04501	·SCREW , LENS (4X45)	2	
7	09471-12083	·BULB (12V 21/5W)	1	
8	01500-0620B	BOLT	2	
9	09160-06109	WASHER (6.5X18X1.6)	2	
10	09180-06291	SPACER (6.5X10X13)	4	
11	09320-09015	CUSHION	4	
12	09321-06030	CUSHION ,PLATE	1	
13	09321-06026	CUSHION ,REAR FENDER	1	
14	01500-0630B	BOLT	2	
15	09160-06109	WASHER (6.5X18X1.6)	2	
16	08310-0006B	NUT	2	
17	35970-38E00	REFLECTOR ASSY ,NEAR	1	
18	08316-1005B	NUT	1	

FIG.25

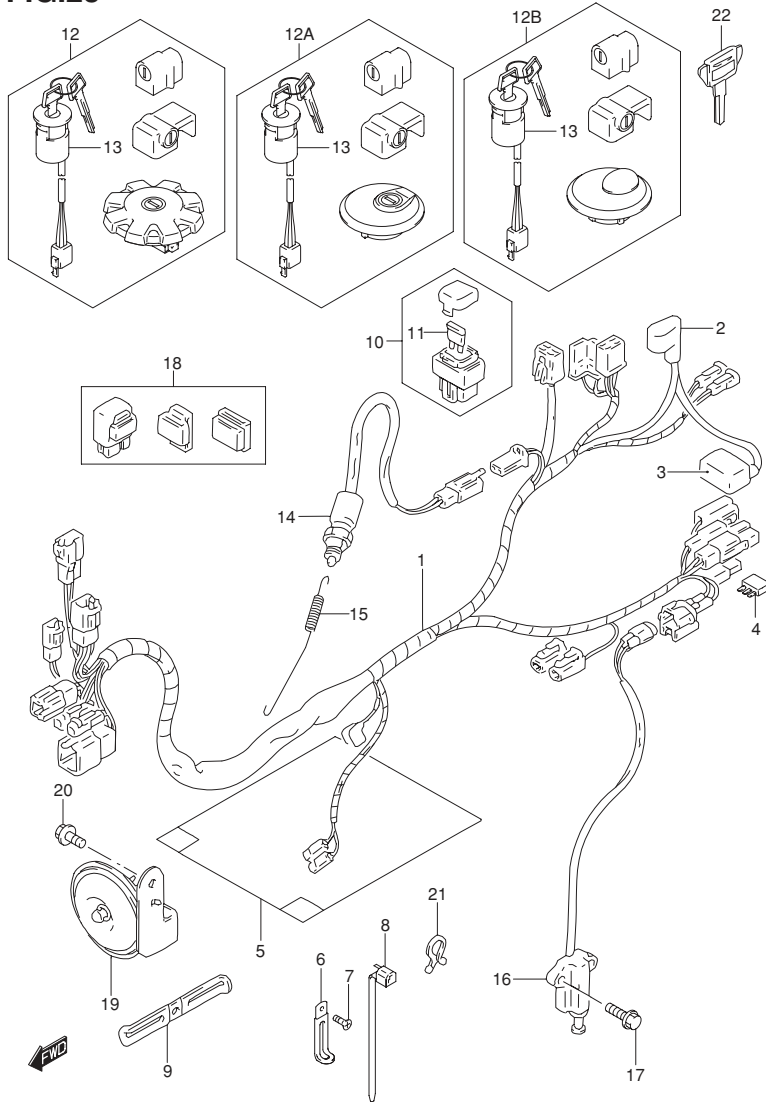


FIG.25 (D-10) WIRING HARNESS

REF NO.	PART NO.	DESCRIPTION	Q'TY	REMARKS
1	36610-42A50	HARNESS , WIRING	1	
2	31861-10D00	·CAP , RELAY	1	
3	33624-10D00	·CAP , BATTERY (+)	1	
4	36611-38A00	·DIODE	1	
5	36618-15D20	COVER , WIRE HARNESS	2	
6-1	09404-06429	CLAMP (L:45)	4	
6-2	09404-06433	CLAMP (L:95)	2	
7	03541-0410B	SCREW	3	
8-1	09407-11401	CLAMP (L:95)	1	
8-2	09407-14403	CLAMP (L:125)	7	
8-3	09407-18402	CLAMP (L:165)	5	
8-4	09407-25401	CLAMP (L:235)	1	
9	36651-05301	CLAMP , STARTER MOTOR LEAD	1	
10	36740-24B01	BOX ASSY , FUSE	1	
11	09481-20101	·FUSE (20A)	1	
12	37000-44820	LOCK SET	1	
12A	37000-44830	LOCK SET	1	MODEL K6/K7 E33
12B	37000-44870	LOCK SET	1	MODEL K8/K9 E33
13	37110-44A01	·SWITCH ASSY , IGNITION	1	
14	37740-45D00	SWITCH ASSY , STOP LAMP	1	
15	09443-06064	SPRING	1	
16	37840-44X50	SWITCH ASSY , SIDE STAND	1	
17	01550-0620B	BOLT	2	
18	38740-24X50	RELAY ASSY , SIDE STAND	1	
19	38500-44B00	HORN ASSY	1	
20	01550-0612B	BOLT	1	
21	09408-00012	CLIP , LEAD WIRE	2	
22-1	37146-03A00	KEY , BLANK	1	OPT ,TYPE C
22-2	37146-03A10	KEY , BLANK	1	OPT ,TYPE D
22-3	37146-03A20	KEY , BLANK	1	OPT ,TYPE E
22-4	37146-03A30	KEY , BLANK	1	OPT ,TYPE F

FIG.26

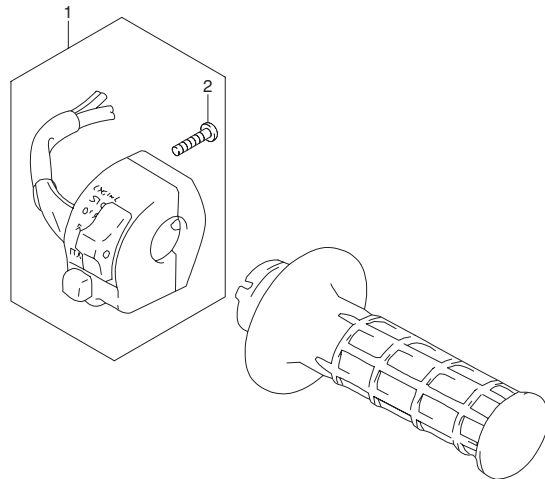
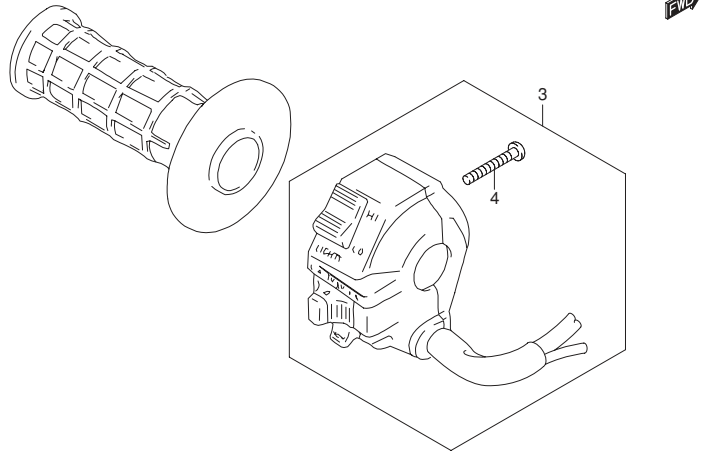


FIG.26 (D-11) HANDLE SWITCH

REF NO.	PART NO.	DESCRIPTION	Q'TY	REMARKS
1	37200-44A70	SWITCH ASSY ,HANDLE RH	1	
2	02112-0420A	·SCREW	2	
3	37400-44A00	SWITCH ASSY ,HANDLE LH	1	
4	02112-0530B	·SCREW	2	

FIG.27

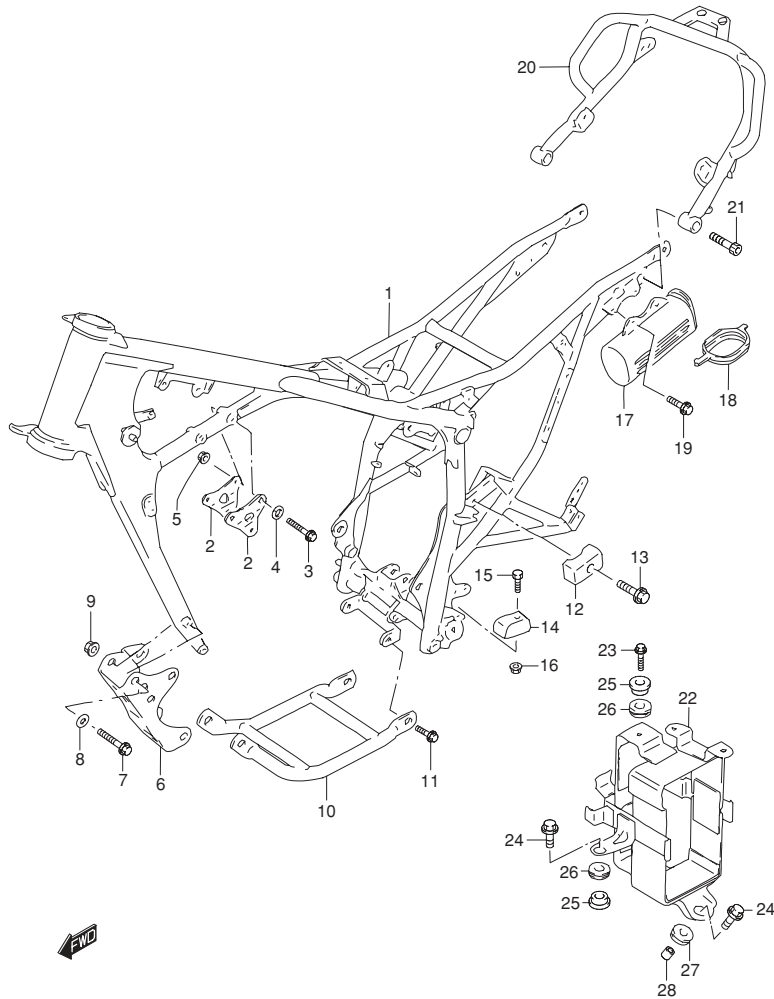


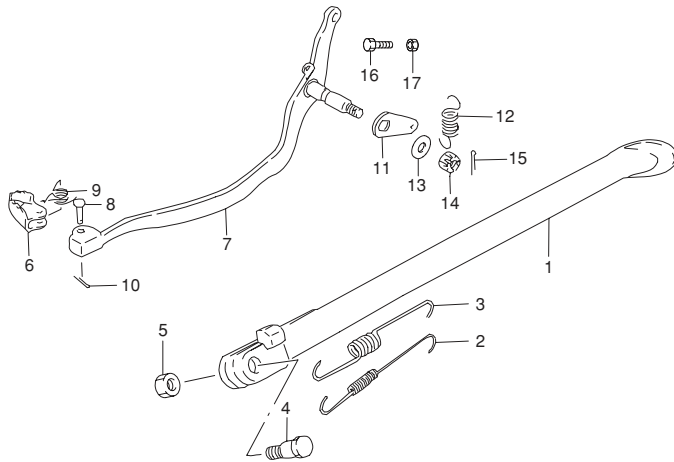
FIG.27 (E-2) FRAME

REF NO.	PART NO.	DESCRIPTION	Q'TY	REMARKS
1-1	41100-44AD1-YU8	FRAME (GRAY)	1	MODEL K6/K7
1-2	41100-44AL0-YU8	FRAME (GRAY)	1	MODEL K8/K9 E3 ,E28
1-3	41100-44AP0-YU8	FRAME (GRAY)	1	MODEL K8/K9 E33
2	41991-42A00-291	PLATE , MOUNT , UPPER (BLACK)	2	
3	09103-08332	BOLT (8X53)	2	
4	08321-0108B	LOCK WASHER	2	
5	08319-3108B	NUT	2	
6	41992-44AA1-YU8	PLATE , MOUNT LOWER (GRAY)	1	
7	09103-08328	BOLT (8X65)	2	
8	08321-0108B	LOCK WASHER	2	
9	08319-3108B	NUT	2	
10	42510-44AA0-YU8	PROTECTOR , ENGINE (GRAY)	1	
11	01551-1016B	BOLT	2	
12	43911-44A00	GUIDE , CHAIN UPPER	1	
13	01580-0635B	BOLT	1	
14	43912-42AA0	GUIDE , CHAIN LOWER	1	
15	09128-06006	BOLT	1	
16	08319-3106B	NUT	1	
17	41551-38200	HOLDER , TOOL	1	
18	41552-37210	CAP , TOOL HOLDER	1	
19-1	09116-06165	BOLT (6X16)	2	MODEL K6
19-2	09116-06211	BOLT (6X16)	2	MODEL K7/K8/K9
20	43980-44AB2-YU8	GRIP , REAR (GRAY)	1	
21	09106-08105	BOLT (8X30)	2	
22	41540-44AA0	HOLDER , BATTERY	1	
23	01550-0620B	BOLT , UPPER	1	
24-1	09116-06131	BOLT , LOWER	2	MODEL K6
24-2	09116-06047	BOLT , LOWER	2	MODEL K7/K8/K9
25	09169-06065	SPACER	2	
26	09320-08021	CUSHION	2	
27	09320-10501	CUSHION , LOWER LH	1	
28	09180-06285	SPACER , LOWER LH	1	

FIG.28

FIG.28 (E-3) STAND

4



REF NO.	PART NO.	DESCRIPTION	Q'TY	REMARKS
1	42310-44A33-019	STAND ,PROP (BLACK)	1	
2	09443-12035	SPRING ,INNER	1	
3	09443-20003	SPRING ,OUTER	1	
4	09111-10047	BOLT	1	
5	09159-10097	NUT	1	
6	43110-14130	PEDAL ,BRAKE	1	
7	43120-44A12	ARM ,BRAKE PEDAL	1	
8	09200-06038	PIN	1	
9	09444-11005	SPRING	1	
10	04111-2015A	COTTER PIN	1	
11	43128-38200	ARM ,BRAKE RETURN SPRING	1	
12	09443-14002	SPRING	1	
13	08211-08202	THRUST WASHER	1	
14	08314-4008B	NUT	1	
15	04111-2020A	COTTER PIN	1	
16	09100-06009	BOLT (6X23)	1	
17	08310-0006B	NUT	1	



FIG.29

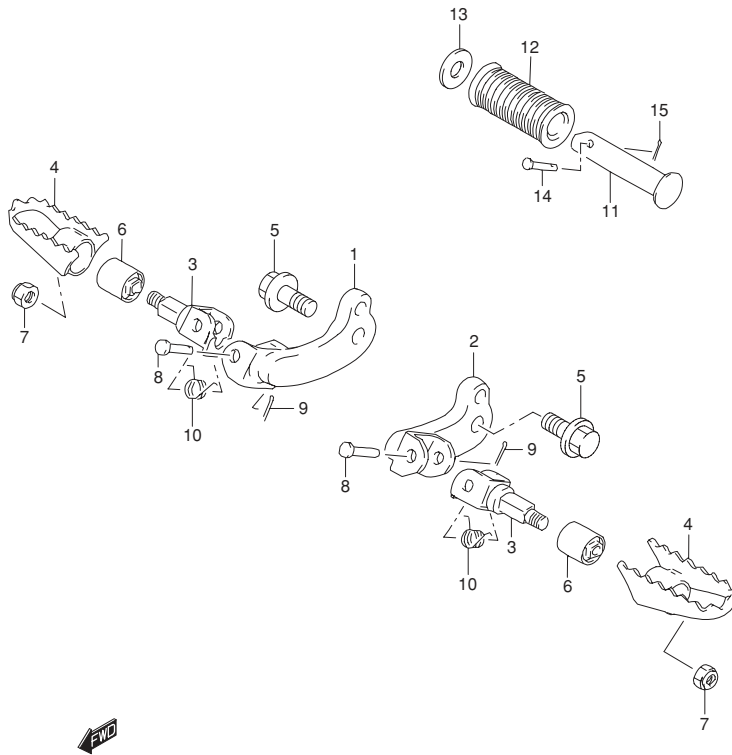


FIG.29 (E-4) FOOTREST

REF NO.	PART NO.	DESCRIPTION	Q'TY	REMARKS
1	43510-44A03-019	BAR ,FRONT FOOTREST RH(BLACK)	1	
2	43520-44A03-019	BAR ,FRONT FOOTREST LH(BLACK)	1	
3	43530-44A02	BRACKET ,FRONT FOOTREST	2	
4	43550-44A01-019	FOOTREST ,FRONT(BLACK)	2	
5	09103-12047	BOLT (12X25)	2	
6	09319-10053	BUSH	2	
7	08319-3110B	NUT	2	
8	09200-08002	PIN	2	
9	04111-2015A	COTTER PIN	2	
10	09448-14037	SPRING	2	
11	43610-03001	BAR ,FOOTREST RUBBER	2	
12	43612-33200	RUBBER ,PILLION FOOTREST	2	
13	09160-19024	WASHER (19.5X32X2)	2	
14	09200-06033	PIN	2	
15	04111-2015A	COTTER PIN	2	

FIG.30

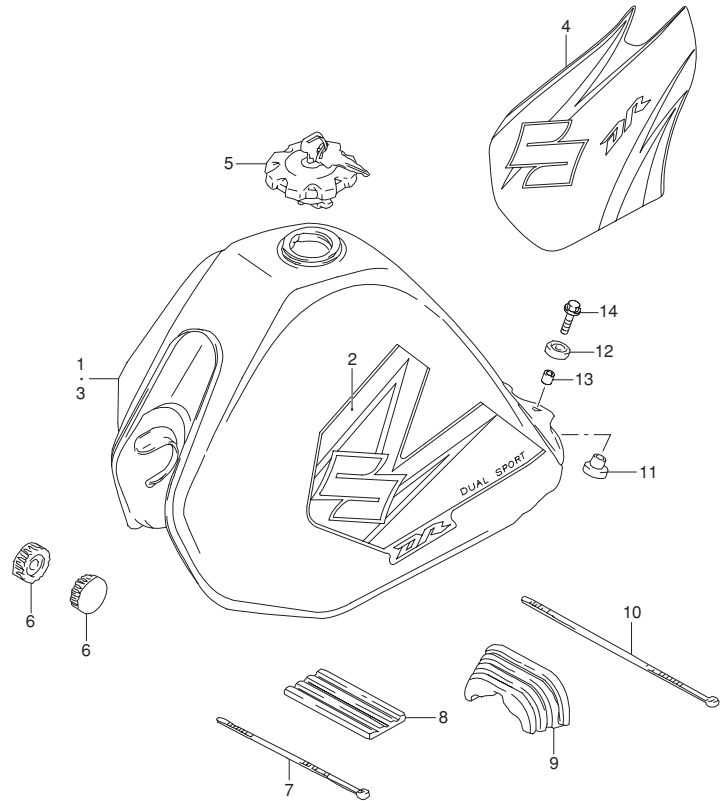


FIG.30 (E-5) FUEL TANK (MODEL K6/K7)

REF NO.	PART NO.	DESCRIPTION	Q'TY	REMARKS
1-1	44100-42AC0-YU1	TANK ASSY ,FUEL (YELLOW)	1	MODEL K6 FOR YU1
1-2	44100-42AC0-YC2	TANK ASSY ,FUEL (BLUE)	1	MODEL K6 FOR N9j
1-3	44100-42AD0-YU1	TANK ASSY ,FUEL (YELLOW)	1	MODEL K6 E33 FOR YU1
1-4	44100-42AD0-YC2	TANK ASSY ,FUEL (BLUE)	1	MODEL K6 E33 FOR N9j
2-1	68110-42A90-CET	-TAPE SET ,FUEL TANK	1	MODEL K6 FOR YU1
2-2	68110-42A90-CLK	-TAPE SET ,FUEL TANK	1	MODEL K6 FOR YC2
3-1	44100-42AE0-YU1	TANK ASSY ,FUEL (YELLOW)	1	MODEL K7 FOR YU1
3-2	44100-42AE0-YC2	TANK ASSY ,FUEL (BLUE)	1	MODEL K7 FOR N9j
3-3	44100-42AF0-YU1	TANK ASSY ,FUEL (YELLOW)	1	MODEL K7 E33 FOR YU1
3-4	44100-42AF0-YC2	TANK ASSY ,FUEL (BLUE)	1	MODEL K7 E33 FOR N9j
4-1	68110-42AA0-DRA	-TAPE SET	1	MODEL K7 FOR YU1
4-2	68110-42AA0-DVM	-TAPE SET	1	MODEL K7 FOR YC2
5-1	44200-12851	CAP SET ,FUEL TANK	1	
5-2	44200-05820	CAP SET ,FUEL TANK	1	E33
6	09329-10016	CUSHION	2	
7	09407-25402	CLAMP	1	
8	44541-14500	CUSHION ,FUEL TANK UPPER	1	
9	44542-14A00	CUSHION ,FUEL TANK REAR	1	
10	09407-30402	CLAMP	1	
11	09320-10020	CUSHION	2	
12	09320-14013	CUSHION	2	
13	09180-06271	SPACER (6.5X9X18)	2	
14	01570-0630B	BOLT	2	

COLOR : N9j = YC2 (BLUE) , 30H (WHITE)

REFER TO FIG.30A (E-6) FOR MODEL K8/K9

FIG.30A

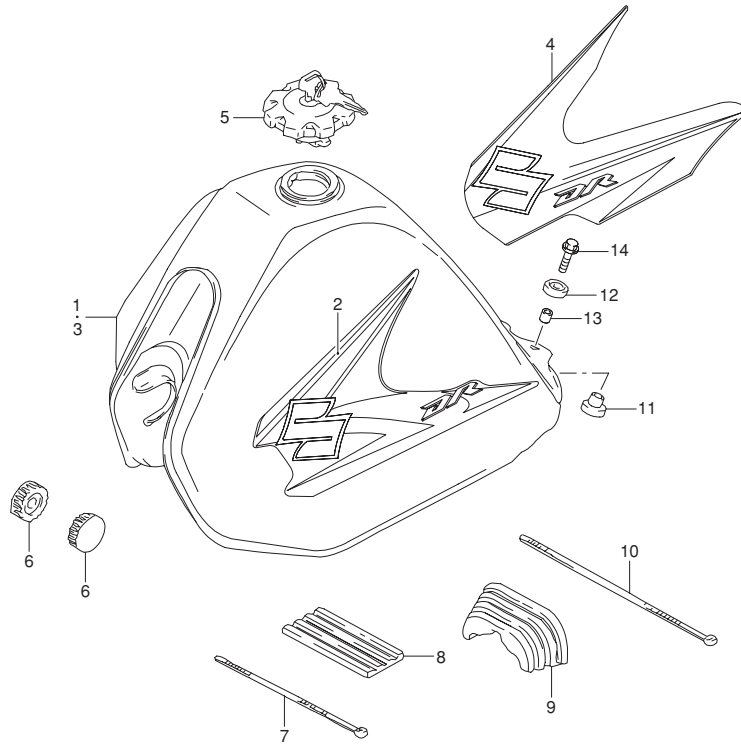


FIG.30A (E-6) FUEL TANK (MODEL K8/K9)

REF NO.	PART NO.	DESCRIPTION	Q'TY	REMARKS
1-1	44100-42AH0-019	TANK ASSY ,FUEL(BLACK)	1	MODEL K8
1-2	44100-42AH0-YKY	TANK ASSY ,FUEL(BLUE)	1	MODEL K8
1-3	44100-42AG0-019	TANK ASSY ,FUEL(BLACK)	1	MODEL K8 E33
1-4	44100-42AG0-YKY	TANK ASSY ,FUEL(BLUE)	1	MODEL K8 E33
2-1	68110-42AB0-FDC	·TAPE SET	1	MODEL K8 FOR 019
2-2	68110-42AB0-FDD	·TAPE SET	1	MODEL K8 FOR YKY
3-1	44100-42AJ 1-019	TANK ASSY ,FUEL(BLACK)	1	MODEL K9
3-2	44100-42AJ 1-30H	TANK ASSY ,FUEL(WHITE)	1	MODEL K9
3-3	44100-42AK1-019	TANK ASSY ,FUEL(BLACK)	1	MODEL K9 E33
3-4	44100-42AK1-30H	TANK ASSY ,FUEL(WHITE)	1	MODEL K9 E33
4-1	68110-42AC0-GJB	·TAPE SET	1	MODEL K9 FOR 019
4-2	68110-42AC0-GJC	·TAPE SET	1	MODEL K9 FOR 30H
5-1	44200-12851	CAP SET ,FUEL TANK	1	
5-2	44200-41840	CAP SET ,FUEL TANK	1	E33
6	09329-10016	CUSHION	2	
7	09407-25402	CLAMP	1	
8	44541-14500	CUSHION ,FUEL TANK UPPER	1	
9	44542-14A00	CUSHION ,FUEL TANK REAR	1	
10	09407-30402	CLAMP	1	
11	09320-10020	CUSHION	2	
12	09320-14013	CUSHION	2	
13	09180-06271	SPACER (6.5X9X18)	2	
14	01570-0630B	BOLT	2	

FIG.31

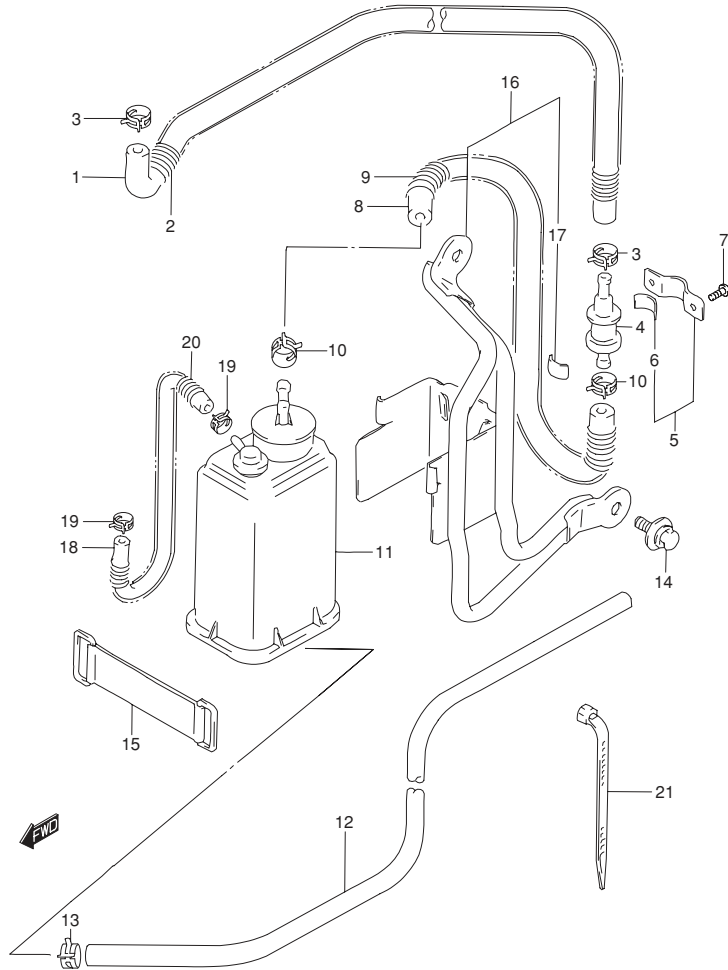


FIG.31 (E-7) EVAP SYSTEM(E33)

REF NO.	PART NO.	DESCRIPTION	Q'TY	REMARKS
1-1	09343-05509	HOSE ,FUEL TANK	1	MODEL K6/K7
1-2	44434-42A00	HOSE ,FUEL TANK	1	MODEL K8/K9
2	09440-13053	SPRING	1	
3	09401-11413	CLIP	2	
4	44240-38A00	VALVE ,ROLL OVER	1	
5	44892-24A00	PLATE ,VALVE	1	
6	44894-24A00	·CUSHION	1	
7	02112-0408B	SCREW	2	
8-1	09343-05414	HOSE ,VALVE CHARGE	1	MODEL K6/K7
8-2	44435-42A00	HOSE ,VALVE CHARGE	1	MODEL K8/K9
9	09440-13043	SPRING	1	
10	09401-11413	CLIP	2	
11	17210-44A00	CANISTER	1	
12-1	09352-70113-00B	HOSE ,CANISTER (L:2000→650)	1	MODEL K6/K7
12-2	44436-42A00	HOSE ,CANISTER PURGE	1	MODEL K8/K9
13	09401-10409	CLIP	1	
14	09116-06130	BOLT	2	
15	09462-00034	BAND	1	
16	44880-44AB0	PLATE	1	
17	44894-24A00	·CUSHION	1	
18	09355-35755-600	HOSE ,CARB (L:600→250)	1	
19	09401-06405	CLIP	2	
20	09440-10031	SPRING	1	
21	09407-14403	CLAMP	2	

FIG.32

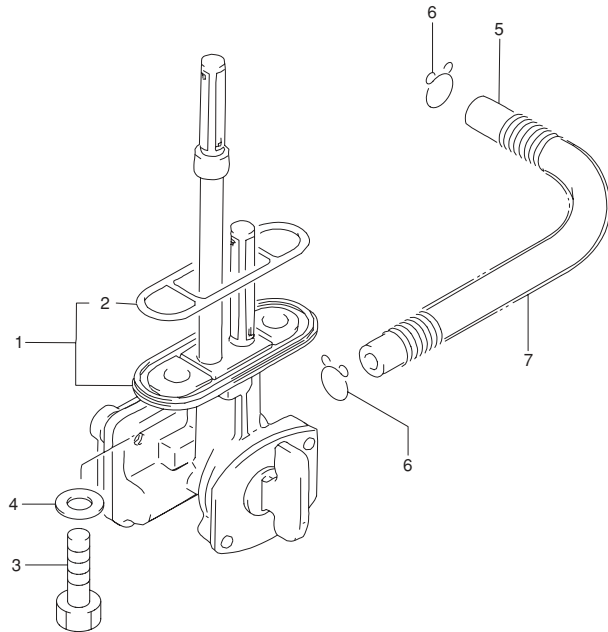


FIG.32 (E-8) FUEL COCK

REF NO.	PART NO.	DESCRIPTION	Q'TY	REMARKS
1	44300-44AB0	COCK ASSY ,FUEL	1	
2	44348-87420	·O RING	1	
3	09128-06006	SCREW(6X20)	2	
4	09168-06026	GASKET(6.4X11.5X0.8)	2	
5-1	09352-50823-600	HOSE (L:600→160)	1	MODEL K6/K7
5-2	09355-50109-160	HOSE ,FUEL	1	MODEL K8/K9
5-3	09352-50823-600	HOSE (L:600→180)	1	MODEL K6/K7 E33
5-4	44421-44A00	HOSE ,FUEL	1	MODEL K8/K9 E33
6-1	09401-08401	CLIP	2	MODEL K6/K7
6-2	09401-09403	CLIP	2	MODEL K8/K9
7	09440-10009	SPRING	1	E33



FIG.33

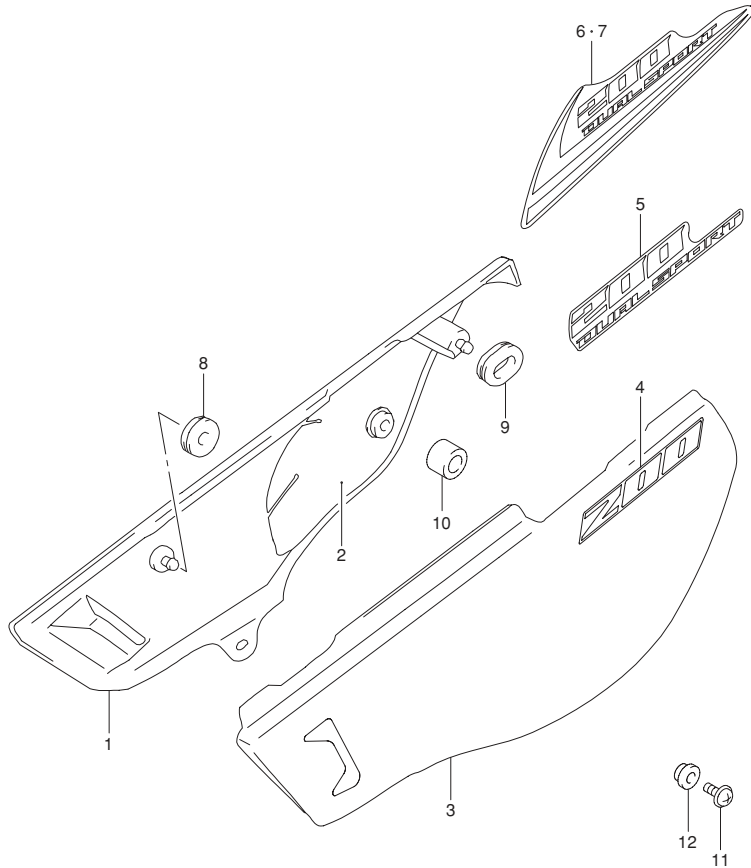


FIG.33 (E-9) FRAME COVER(MODEL K6/K7/K8)

REF NO.	PART NO.	DESCRIPTION	Q'TY	REMARKS
1-1	47111-44AA0-30H	COVER ,FRAME RH(WHITE)	1	MODEL K6
1-2	47111-44AC0-30H	COVER ,FRAME RH(WHITE)	1	MODEL K7/K8
2	47166-44AA0	SHIELD ,FRAME COVER RH	1	
3-1	47211-44AA0-30H	COVER ,FRAME LH(WHITE)	1	MODEL K6
3-2	47211-44AB0-30H	COVER ,FRAME LH(WHITE)	1	MODEL K7/K8
4-1	68131-42A40-CLM	EMBLEM	2	MODEL K6 FOR YU1
4-2	68131-42A40-8YM	EMBLEM	2	MODEL K6 FOR N9J
5	68131-42A50-DVN	EMBLEM	2	MODEL K7
6-1	68135-42A20-EVH	TAPE ,RH	1	MODEL K8 FOR 019
6-2	68135-42A20-EVM	TAPE ,RH	1	MODEL K8 FOR YKY
7-1	68145-42A20-EVH	TAPE ,LH	1	MODEL K8 FOR 019
7-2	68145-42A20-EVM	TAPE ,LH	1	MODEL K8 FOR YKY
8	09320-08018	CUSHION	2	
9	09320-08029	CUSHION	2	
10	09321-10027	CUSHION	1	
11	09136-06017	SCREW(6X16)	2	
12	09169-06031	WASHER	2	

REFER TO FIG.33A (E-10) FOR MODEL K9

FIG.33A

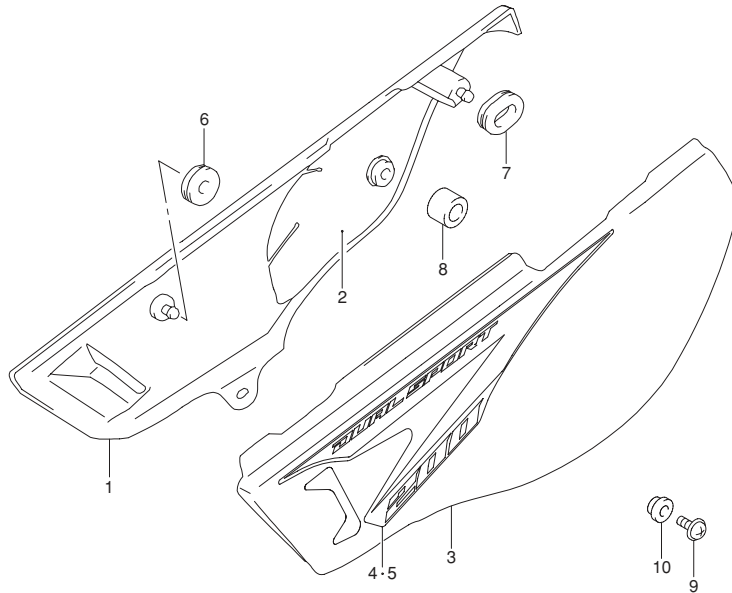


FIG.33A (E-10) FRAME COVER(MODEL K9)

REF NO.	PART NO.	DESCRIPTION	Q'TY	REMARKS
1-1	47111-44AC0-019	COVER ,FRAME RH(BLACK)	1	
1-2	47111-44AC0-30H	COVER ,FRAME RH(WHITE)	1	
2	47166-44AA0	SHIELD ,FRAME COVER RH	1	
3-1	47211-44AB0-019	COVER ,FRAME LH(BLACK)	1	
3-2	47211-44AB0-30H	COVER ,FRAME LH(WHITE)	1	
4-1	68135-42A30-GJ D	TAPE ,RH	1	FOR 019
4-2	68135-42A30-GJ E	TAPE ,RH	1	FOR 30H
5-1	68145-42A30-GJ D	TAPE ,LH	1	FOR 019
5-2	68145-42A30-GJ E	TAPE ,LH	1	FOR 30H
6	09320-08018	CUSHION	2	
7	09320-08029	CUSHION	2	
8	09321-10027	CUSHION	1	
9	09136-06017	SCREW(6X16)	2	
10	09169-06031	WASHER	2	



FIG.34

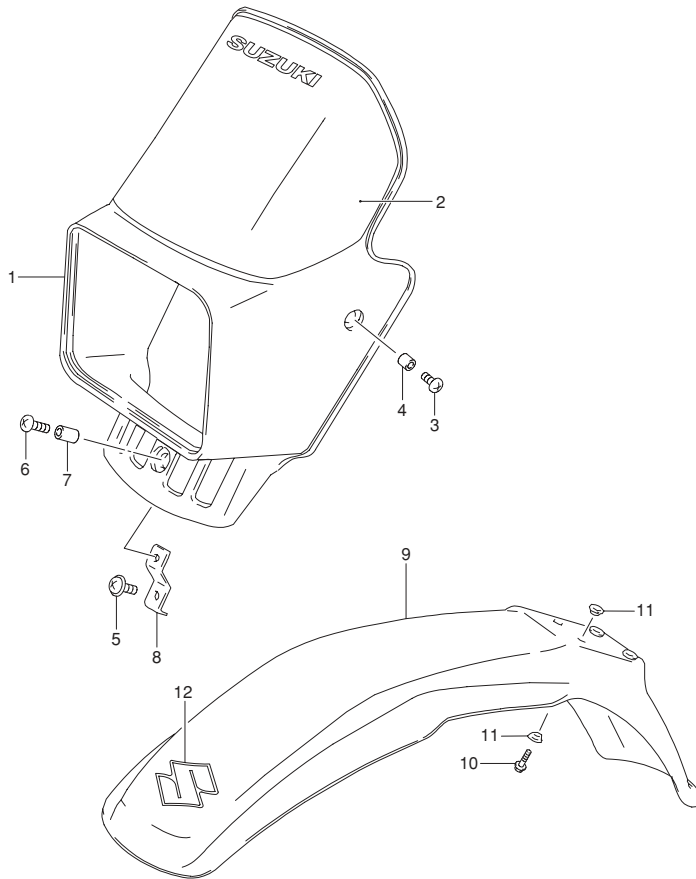


FIG.34 (E-11) HEADLAMP COVER (MODEL K6/K7)

REF NO.	PART NO.	DESCRIPTION	Q'TY	REMARKS
1-1	51811-14A20-YU1	COVER ,HEADLAMP (YELLOW)	1	MODEL K6 FOR YU1
1-2	51811-14A20-YJ 4	COVER ,HEADLAMP (BLUE)	1	MODEL K6 FOR N9J
1-3	51811-14A30-YU1	COVER ,HEADLAMP (YELLOW)	1	MODEL K7 FOR YU1
1-4	51811-14A30-YLW	COVER ,HEADLAMP (BLUE)	1	MODEL K7 FOR N9J
2-1	68725-42A10-CLM	EMBLEM ,SUZUKI	1	MODEL K6 FOR YU1
2-2	68725-42A10-8YM	EMBLEM ,SUZUKI	1	MODEL K6 FOR N9J
2-3	68725-42A10-8YM	EMBLEM ,SUZUKI	1	MODEL K7
3	02142-0612B	SCREW	2	
4	09180-06245	SPACER (6.1X8X3.5)	2	
5	02112-36127	SCREW	1	
6	02142-0620B	SCREW	1	
7	09180-06249	SPACER (6.1X8X12)	1	
8	51814-44A00	BRACE ,COVER LOWER	1	
9-1	53111-44A00-YU1	FENDER ,FRONT (YELLOW)	1	MODEL K6 FOR YU1
9-2	53111-44A00-YJ 4	FENDER ,FRONT (BLUE)	1	MODEL K6 FOR N9J
9-3	53111-44A20-YU1	FENDER ,FRONT (YELLOW)	1	MODEL K7 FOR YU1
9-4	53111-44A20-YLW	FENDER ,FRONT (BLUE)	1	MODEL K7 FOR N9J
10	01550-0616B	BOLT	4	
11	09169-06053	WASHER	8	
12	68151-07G10-YCF	EMBLEM , "S"	1	

COLOR : N9J = YC2 (BLUE) , 30H (WHITE)

REFER TO FIG.34A (E-12) FOR MODEL K8/K9



FIG.34A

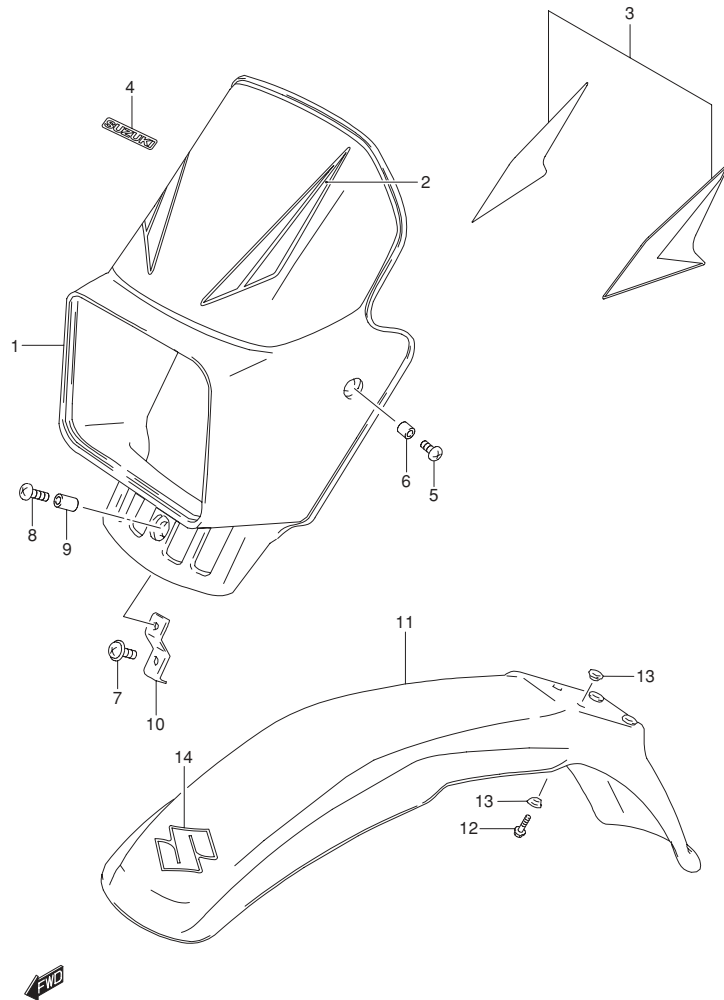


FIG.34A (E-12) HEADLAMP COVER (MODEL K8/K9)

REF NO.	PART NO.	DESCRIPTION	Q'TY	REMARKS
1-1	51811-14A30-019	COVER ,HEADLAMP (BLACK)	1	MODEL K8
1-2	51811-14A30-YLW	COVER ,HEADLAMP (BLUE)	1	MODEL K8
1-3	51811-14A30-019	COVER ,HEADLAMP (BLACK)	1	MODEL K9
1-4	51811-14A30-30H	COVER ,HEADLAMP (WHITE)	1	MODEL K9
2-1	68720-42A00-CNS	TAPE SET ,COVER	1	MODEL K8 FOR 019
2-2	68720-42A00-EVN	TAPE SET ,COVER	1	MODEL K8 FOR YKY
3-1	68720-42A10-GJF	TAPE SET ,COVER	1	MODEL K9 FOR 019
3-2	68720-42A10-GJE	TAPE SET ,COVER	1	MODEL K9 FOR 30H
4	68721-05D00-YD8	EMBLEM(SILVER)	1	
5	02142-0612B	SCREW	2	
6	09180-06245	SPACER (6.1X8X3.5)	2	
7	02112-36127	SCREW	1	
8	02142-0620B	SCREW	1	
9	09180-06249	SPACER (6.1X8X12)	1	
10	51814-44A00	BRACE ,COVER LOWER	1	
11-1	53111-44A20-019	FENDER ,FRONT (BLACK)	1	
11-2	53111-44A20-YLW	FENDER ,FRONT (BLUE)	1	MODEL K8
11-3	53111-44A20-30H	FENDER ,FRONT (WHITE)	1	MODEL K9
12	01550-0616B	BOLT	4	
13	09169-06053	WASHER	8	
14	68151-07G10-YD8	EMBLEM , "S" (SILVER)	1	

FIG.35

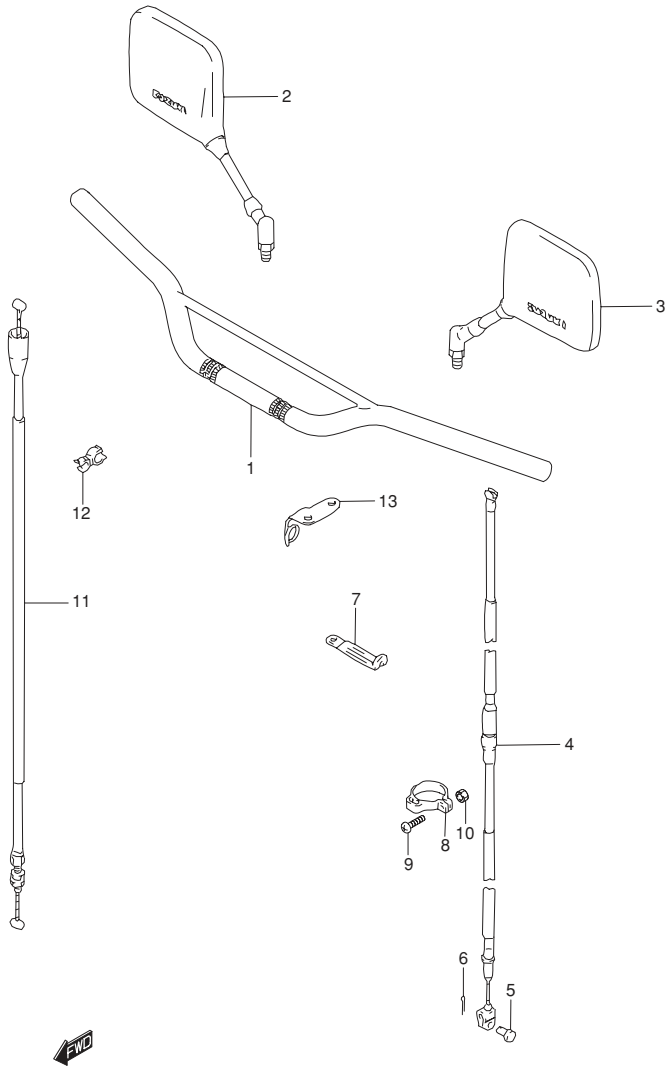


FIG.35 (E-13) HANDLEBAR

REF NO.	PART NO.	DESCRIPTION	Q'TY	REMARKS
1	56110-44AA0-291	HANDLEBAR(BLACK)	1	
2-1	56500-10041	MIRROR ASSY ,REAR VIEW RH	1	MODEL K6
2-2	56500-10042	MIRROR ASSY ,REAR VIEW RH	1	MODEL K7/K8/K9
3-1	56600-10041	MIRROR ASSY ,REAR VIEW LH	1	MODEL K6
3-2	56600-10042	MIRROR ASSY ,REAR VIEW LH	1	MODEL K7/K8/K9
4	58200-44AB1	CABLE ASSY ,CLUTCH	1	
5	09200-06004	PIN(L:13)	1	
6	04111-2015A	COTTER PIN	1	
7	09407-25401	CLAMP(L:235)	1	
8	58285-05351	CLAMP ,CLUTCH CABLE	1	
9	02112-0516B	SCREW	1	
10	08310-0005B	NUT	1	
11	58300-44AA0	CABLE ASSY ,THROTTLE	1	
12	09408-00078	CLAMP ,THROTTLE CABLE	1	
13	58620-15D10	GUIDE ,CLUTCH CABLE	1	

4

FIG.36

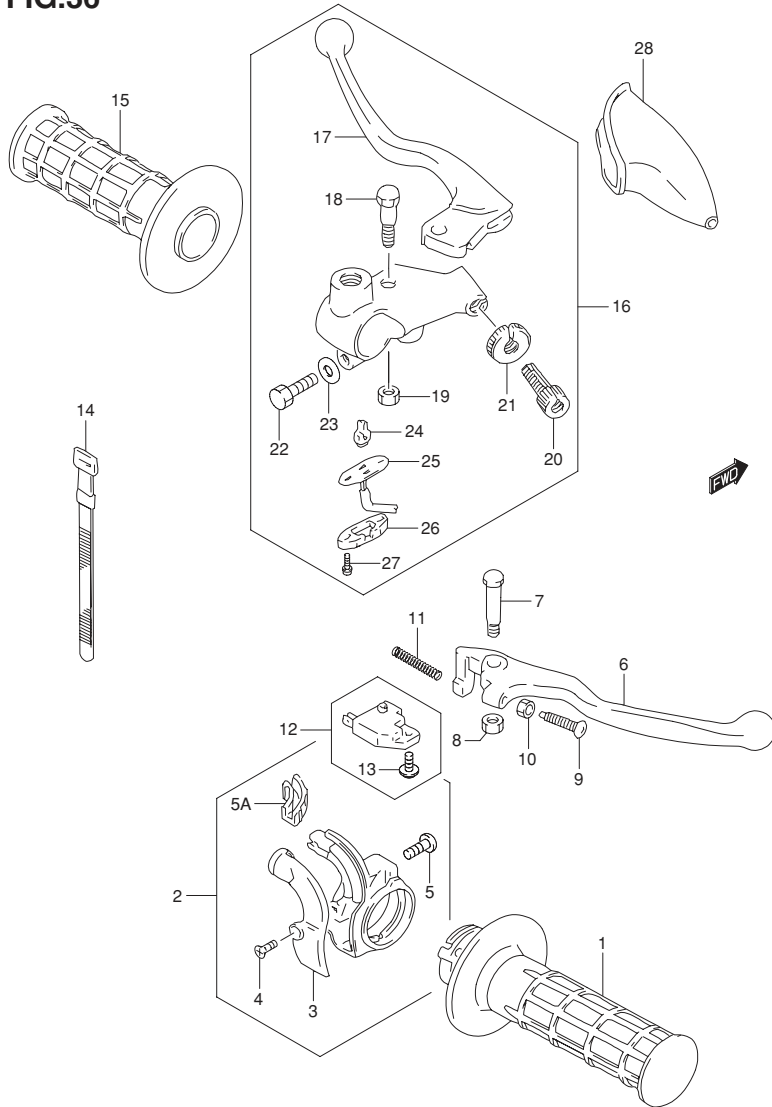


FIG.36 (E-14) HANDLE LEVER

REF NO.	PART NO.	DESCRIPTION	Q'TY	REMARKS
1	57110-14D00	GRIP ,THROTTLE	1	
2	57100-13601	CASE ASSY ,THROTTLE	1	
3	57129-13601	·COVER	1	
4	02122-0410B	·SCREW	1	
5	02112-05167	·SCREW	1	
5A	57122-13600	·PIECE ,GUIDE	1	
6	57421-03D00	LEVER ,BRAKE	1	
7	57431-14500	BOLT ,BRAKE LEVER	1	
8	08319-2106A	NUT	1	
9	57431-14511	BOLT ,ADJUST	1	
10	08310-0005B	NUT	1	
11	57318-14502	SPRING ,RETURN	1	
12	57460-17C11	SWITCH ASSY ,STOP	1	
13	57465-17C00	·SCREW	1	
14	09407-12402	CLAMP (L:120)	2	
15	57211-27C00	GRIP ,LH	1	
16	57500-44AD0	LEVER ASSY ,CLUTCH	1	
17	57620-15D11	·LEVER	1	
18	57431-11013	·BOLT	1	
19	08319-2106A	·NUT	1	
20	57441-11010	·ADJUSTER	1	
21	57442-44B00	·NUT	1	
22	01500-06207	·BOLT	1	
23	08322-01067	·WASHER	1	
24	57465-18601	·CONTACT	1	
25	57541-49100	·WIRE HARNESS	1	
26	57481-33010	·COVER	1	
27	57484-49110	·SCREW	2	
28	57341-40002	COVER ,CLUTCH LEVER	1	

FIG.37

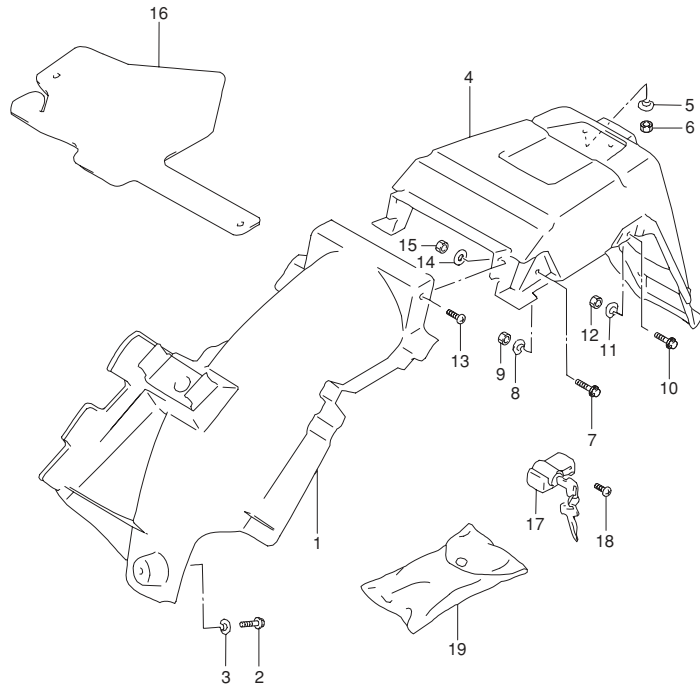


FIG.37 (E-15) REAR FENDER

REF NO.	PART NO.	DESCRIPTION	Q'TY	REMARKS
1-1	63110-44AB0	BODY ,REAR FENDER FRONT	1	MODEL K6
1-2	63110-44AC0	BODY ,REAR FENDER FRONT	1	MODEL K7/K8/K9
2	01550-0612B	BOLT	1	
3	09169-06010	WASHER	1	
4-1	63100-44AC0-YU1	BODY ,REAR FENDER (YELLOW)	1	MODEL K6 FOR YU1
4-2	63100-44AC0-YJ4	BODY ,REAR FENDER (BLUE)	1	MODEL K6 FOR N9J
4-3	63100-44AG0-YU1	BODY ,REAR FENDER (YELLOW)	1	MODEL K7 FOR YU1
4-4	63100-44AG0-YLW	BODY ,REAR FENDER (BLUE)	1	MODEL K7 FOR N9J
4-5	63100-44AG0-019	BODY ,REAR FENDER (BLACK)	1	MODEL K8/K9
4-6	63100-44AG0-YLW	BODY ,REAR FENDER (BLUE)	1	MODEL K8
4-7	63100-44AG0-30H	BODY ,REAR FENDER (WHITE)	1	MODEL K9
5	09169-06045	WASHER	2	
6	08319-3106A	NUT	2	
7	09106-08151	BOLT ,FRONT	2	
8	09169-08037	WASHER	2	
9	08310-0008B	NUT	2	
10	01550-0620B	BOLT ,REAR	2	
11	09169-06045	WASHER	2	
12	08319-3106A	NUT	2	
13	02142-0616B	SCREW ,FR/RR	2	
14	09160-06084	WASHER (6.5X18X1.6)	2	
15	08319-3106A	NUT	2	
16	63411-44AA0	MUD FLAP ,REAR FENDER FRONT	1	
17-1	95700-44810	LOCK SET ,HELMET	1	MODEL K6/K7
17-2	95700-41821	LOCK SET ,HELMET	1	MODEL K8/K9
18	09139-06089	SCREW	1	
19	09800-21022	TOOL SET	1	

COLOR : N9J = YC2 (BLUE) , 30H (WHITE)

FIG.38

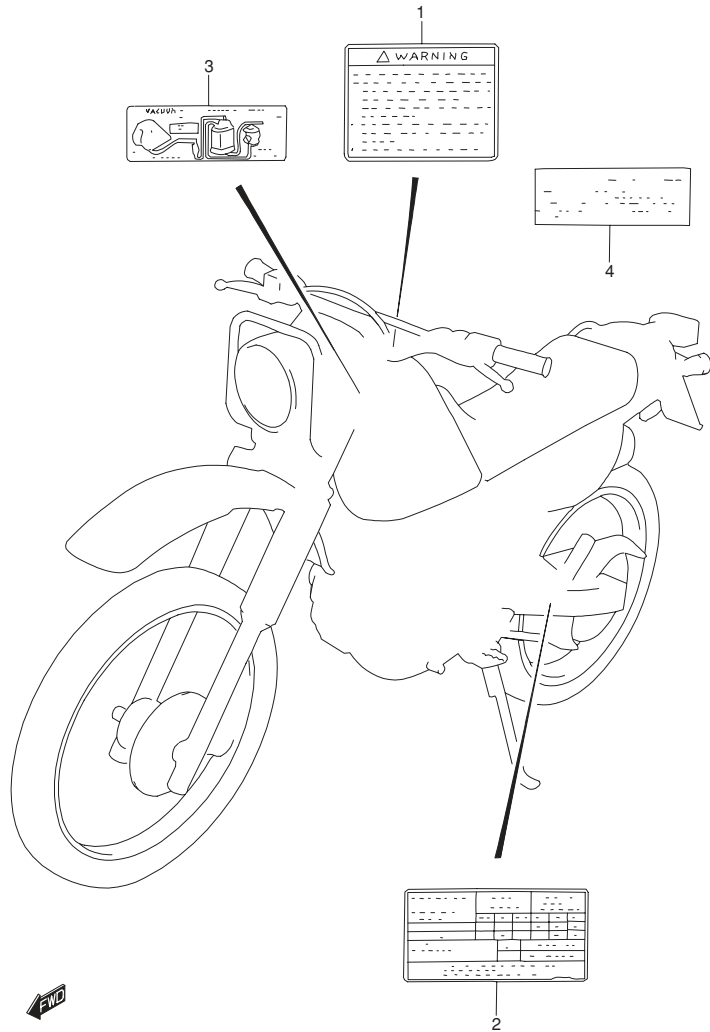


FIG.38 (E-16) LABEL

REF NO.	PART NO.	DESCRIPTION	Q'TY		REMARKS
1-1	68319-29F00	LABEL ,WARNING (ENGLISH)	1	E3 E33	
1-2	68319-29F10	LABEL ,WARNING	1	E28	
2-1	68332-42AC1	LABEL ,TIRE (ENGLISH)	1	E3 E33	
2-2	68332-42AD1	LABEL ,TIRE	1	E28	
3-1	68387-44AA0	LABEL ,PIPING DIAGRAM	1	MODEL K6/K7 E33	
3-2	68387-44AB0	LABEL ,PIPING DIAGRAM	1	MODEL K8/K9 E33	
4	68353-26E02	LABEL ,MANUAL NOTICE	1	E3 E33	
5-1	99011-42A58-03A	MANUAL ,OWNER'S	1	MODEL K6 E3 E33	
5-2	99011-42A58-28B	MANUAL ,OWNER'S	1	MODEL K6 E28	
5-3	99011-42A59-03A	MANUAL ,OWNER'S	1	MODEL K7 E3 E33	
5-4	99011-42A59-28B	MANUAL ,OWNER'S	1	MODEL K7 E28	
5-5	99011-42A60-03A	MANUAL ,OWNER'S	1	MODEL K8 E3 E33	
5-6	99011-42A60-28B	MANUAL ,OWNER'S	1	MODEL K8 E28	
5-7	99011-42A61-03A	MANUAL ,OWNER'S	1	MODEL K9 E3 E33	
5-8	99011-42A61-28B	MANUAL ,OWNER'S	1	MODEL K9 E28	DRAWING NOT SHOWN

FIG.39

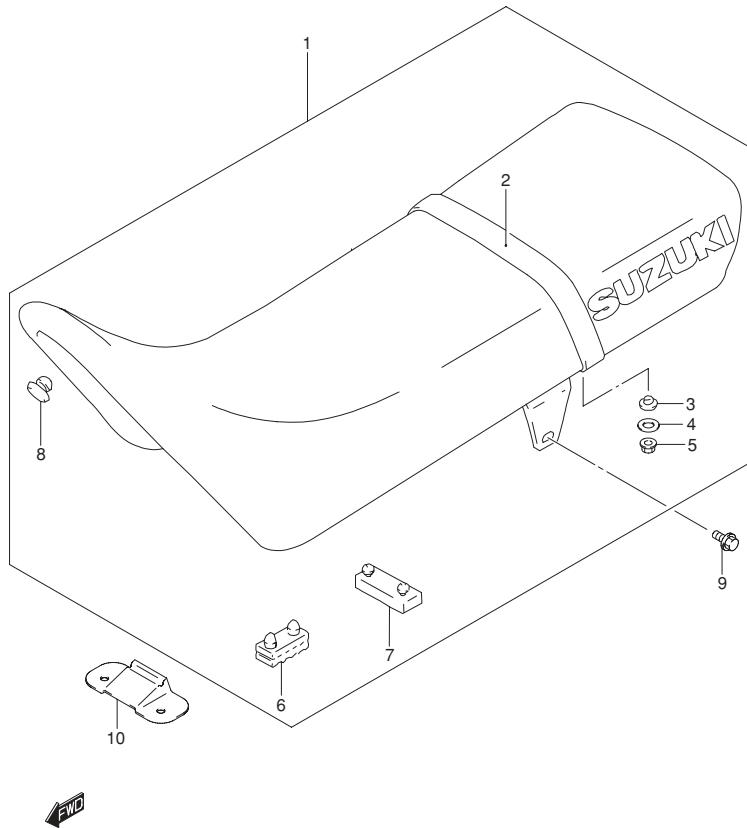


FIG.39 (F-2) SEAT

REF NO.	PART NO.	DESCRIPTION	Q'TY	REMARKS
1-1	45100-42AP0-CEP	SEAT SET	1	MODEL K6 FOR YU1
1-2	45100-42AP0-BDL	SEAT SET	1	MODEL K6 FOR N9J
1-3	45100-42AP0-DTU	SEAT SET	1	MODEL K7 FOR YU1
1-4	45100-42AP0-DUY	SEAT SET	1	MODEL K7 FOR N9J
1-5	45100-42AP0-DUZ	SEAT SET	1	MODEL K8 FOR YKY
1-6	45100-42AP0-FCB	SEAT SET	1	MODEL K8 FOR 019 MODEL K9
2	45180-42AA0-P21	·BAND ,SEAT (BLACK)	1	
3	09169-06071	·WASHER	2	
4	08212-06201	·THRUST WASHER	2	
5	08316-2006A	·NUT	2	
6	45149-31300	·CUSHION	4	
7	45149-43500	·CUSHION	1	
8	09329-10001	·CUSHION	1	
9	01550-0812B	BOLT	2	
10	45119-42A00	PLATE ,SEAT FRONT HOOK	1	

4

FIG.40

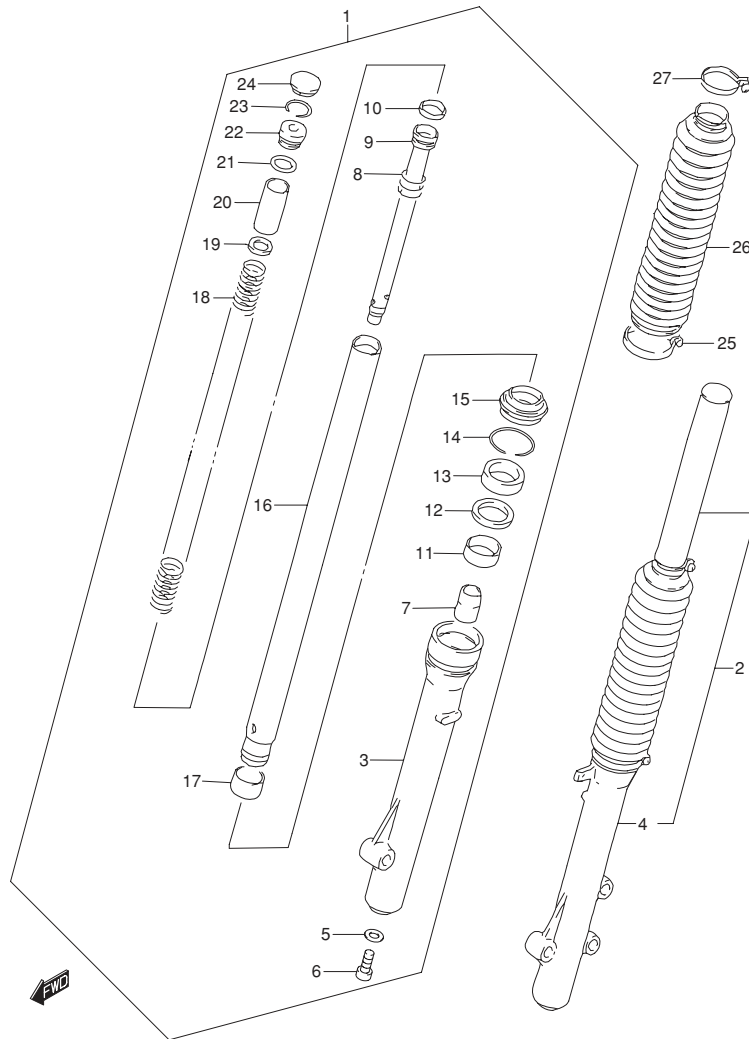


FIG.40 (F-3) FRONT DAMPER

REF NO.	PART NO.	DESCRIPTION	Q'TY	REMARKS
1	51103-42AA0	DAMPER ASSY ,FRONT FORK RH	1	
2	51104-42AA0	DAMPER ASSY ,FRONT FORK LH	1	
3	51131-01A01	·TUBE ,OUTER RH	1	
4	51141-01A01	·TUBE ,OUTER LH	1	
5	51148-36011	·GASKET	2	
6	51147-06F10	·BOLT ,CENTER	2	
7	51195-43530	·PIECE ,OIL LOCK	2	
8	51177-01A00	·SPRING ,REBOUND	2	
9	51146-42AA0	·CYLINDER	2	
10	51196-45200	·RING ,PISTON	2	
11	51152-33300	·BUSH ,GUIDE	2	
12	51168-30B00	·SPACER ,SEAL	2	
13	51153-19D10	·SEAL ,OIL	2	
14	51156-01A00	·RING ,OIL SEAL STOPPER	2	
15	51173-01A00	·DUST SEAL	2	
16	51110-01A30	·TUBE ,INNER	2	
17	51121-33300	·PISTON	2	
18	51171-42AA0	·SPRING ,MAIN	2	
19	51192-20510	·SEAT ,SPRING	2	
20	51176-42AA0	·SPACER ,SPRING	2	
21	51181-31030	·O RING	2	
22	51175-47400	·BOLT ,SPRING	2	
23	51169-47400	·RING ,STOPPER	2	
24	51189-31230	·CAP	2	
25	51576-42AA0	BAND ,BOOT LOWER	2	
26	51571-01A00-019	BOOT (BLACK)	2	
27	51575-01A00	BAND ,BOOT UPPER	2	

FIG.41

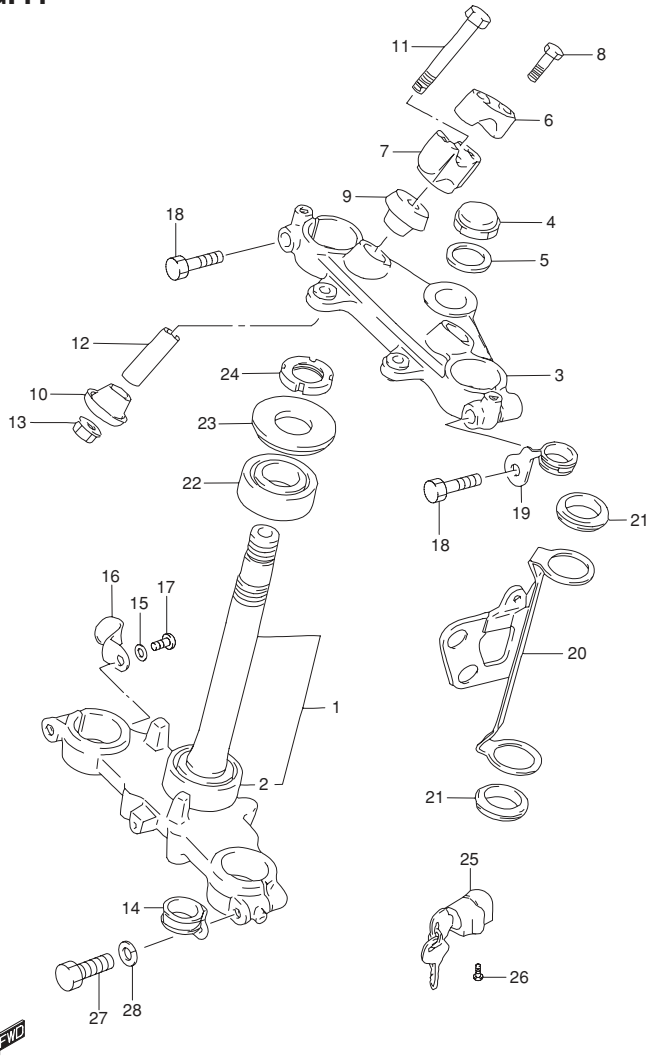


FIG.41 (F-4) STEERING STEM

REF NO.	PART NO.	DESCRIPTION	Q'TY	REMARKS
1	51410-42AB0	STEM, STEERING (BLACK)	1	
2	09265-30009	·BEARING (30X55X17)	1	
3	51311-44AA0-291	HEAD ,STEERING STEM(BLACK)	1	
4	51353-24B00	NUT ,CAP	1	
5	51354-14D00	WASHER	1	
6	56211-27200-291	HOLDER ,HANDLE UPPER(BLACK)	2	
7	56221-42A00-291	HOLDER ,HANDLE LOWER (BLACK)	2	
8	01550-0835B	BOLT	4	
9	56240-42A00	RUBBER ,HANDLE HOLDER	2	
10	56242-28C60	RUBBER ,LOWER	2	
11	56321-27E00	BOLT ,LOWER HOLDER	2	
12	56243-42A00	SPACER	2	
13	08319-31107	NUT	2	
14	51452-42A00	CLIP	1	
15	08321-01067	LOCK WASHER	1	
16	51452-05130	CLIP	1	
17	02112-06087	SCREW	1	
18	01550-1040A	BOLT	2	
19	51452-48700	CLIP	1	
20-1	51530-42A00	BRACKET , HEADLAMP RH	1	
20-2	51540-42A00	BRACKET , HEADLAMP LH	1	
21	51553-34280	CUSHION	4	
22	09265-25019	BEARING (25X47X15)	1	
23	51643-01B10	SEAL ,STEERING UPPER DUST	1	
24	51631-08D30	NUT ,STEERING	1	
25	51900-44810	LOCK SET ,STEERING	1	
26	02112-3512B	SCREW	2	
27	51451-42A00	BOLT	2	
28	08321-0110A	LOCK WASHER	2	

FIG.42

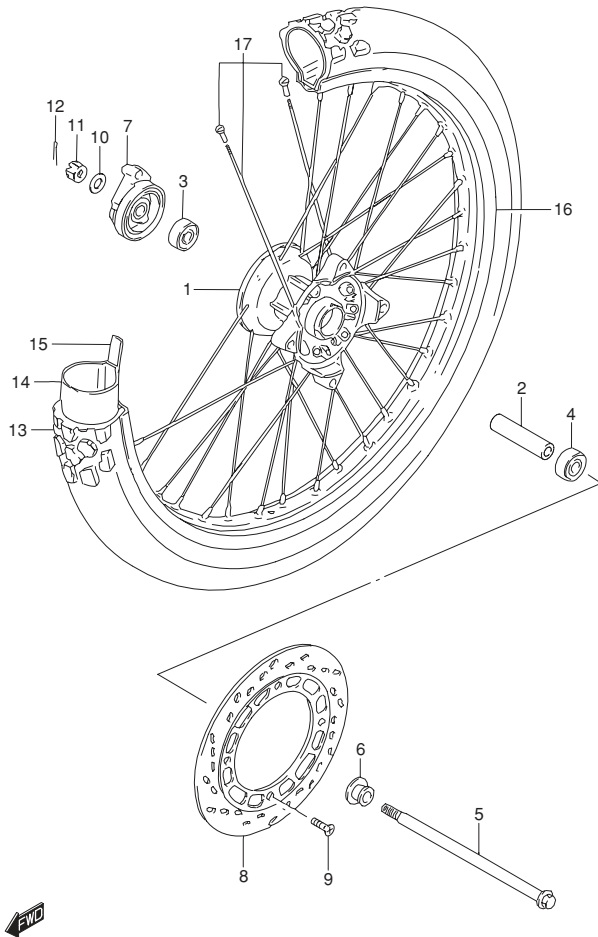


FIG.42 (F-5) FRONT WHEEL

REF NO.	PART NO.	DESCRIPTION	Q'TY	REMARKS
1	54111-44A10	HUB ,FRONT WHEEL(SILVER)	1	
2	09180-12146	SPACER (12.5X19X60.50)	1	
3	08113-62017	BEARING ,RH	1	
4	08133-62017	BEARING ,LH	1	
5	54711-44A01	AXLE ,FRONT	1	
6	54740-02B40	SPACER ,FRONT AXLE LH	1	
7	54600-01A00	BOX ASSY ,SPEEDOMETER GEAR	1	
8	59221-13A01	DISC ,FRONT BRAKE	1	
9	09106-08155	BOLT ,DISC	4	
10	08322-0112B	WASHER	1	
11	09141-12004	NUT	1	
12	04111-3025A	PIN ,COTTER	1	
13	55110-42AA0	TIRE ,FRONT (70/100- 21 44P) (BRIDGESTONE)	1	
14	55200-16510	TUBE ASSY ,WHEEL INNER	1	
15	55261-32E00	PROTECTOR ,WHEEL INNER TUBE	1	
16	55311-42AA0	RIM ,FRONT WHEEL (21X1.60)	1	
17	55320-42A00	SPOKE SET ,FRONT WHEEL	1	

FIG.43

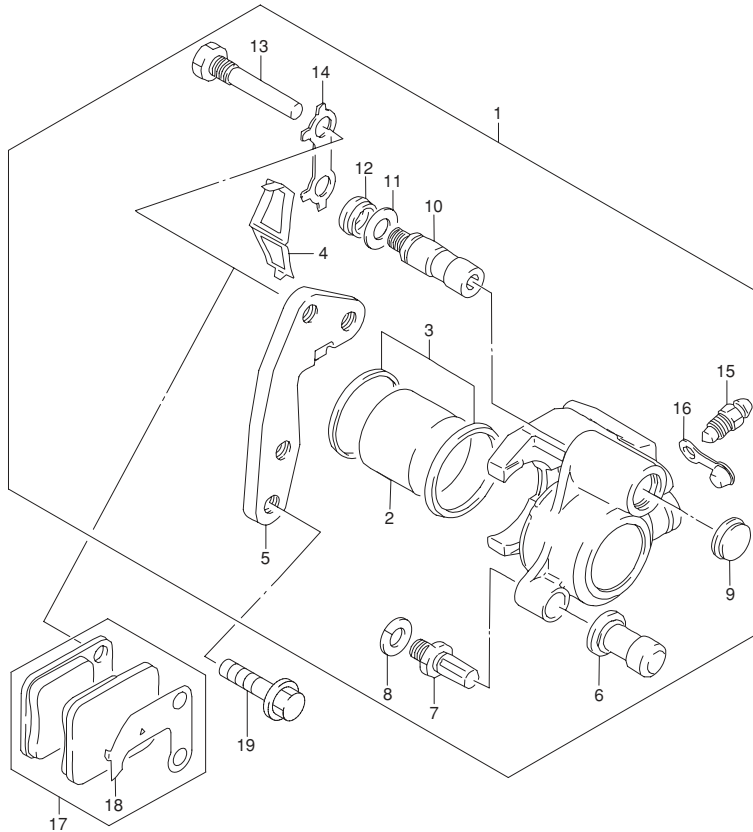


FIG.43 (F-6) FRONT CALIPER

REF NO.	PART NO.	DESCRIPTION	Q'TY	REMARKS
1	59300-42A10-999	CALIPER ASSY ,FRONT LH	1	
2	59300-13810	·PISTON SET	1	
3	69100-13820	··SEAL SET ,PISTON	1	
4	59315-13A00	·SPRING	1	
5	59351-13A01	·BRACKET	1	
6	59386-13A00	·BOOT	1	
7	59382-13A00	·BOLT	1	
8	59314-13A00	·WASHER	1	
9	59384-13A00	·DUST SEAL	1	
10	59305-13A01	·PIN ,SLIDE	1	
11	59306-13A00	·SPRING	1	
12	59303-13A00	·BOOT	1	
13	59345-13A00	·PIN	2	
14	59346-13A00	·WASHER	1	
15	59121-01A00	·BLEEDER	1	
16	59122-01A00	·CAP ,BLEEDER	1	
17	59300-42880	PAD & SHIM SET	1	
18	59371-13A00	·SHIM	1	
19	09103-08269	BOLT (8X30)	2	

4



FIG.44

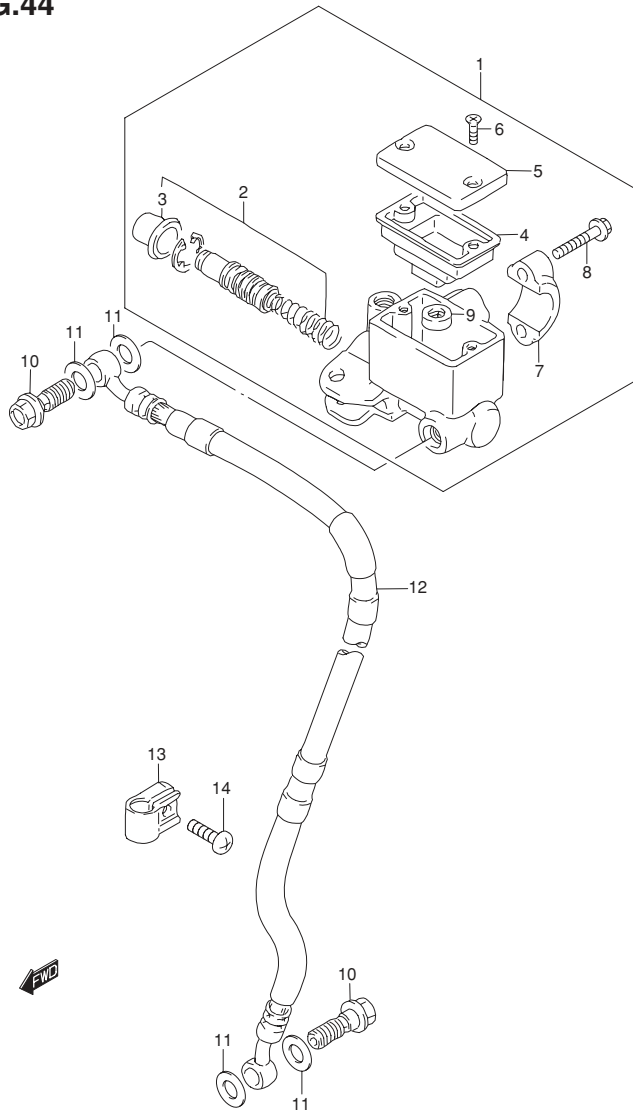


FIG.44 (F-7) FRONT MASTER CYLINDER

REF NO.	PART NO.	DESCRIPTION	Q'TY	REMARKS
1	59600-03D01	CYLINDER ASSY ,FRONT MASTER	1	
2	69600-38810	·PISTON/CUP SET	1	
3	59666-44300	··BOOT	1	
4	59667-44B00	·DIAPHRAGM	1	
5	59669-03D00	·CAP	1	
6	02122-0412B	·SCREW	2	
7	59671-03D00	·HOLDER	1	
8	59675-27C00	·BOLT	2	
9-1	59748-14500	·SEPARATOR	1	MODEL K6/K7/K8
9-2	59748-36E00	·SEPARATOR	1	MODEL K9
10	09360-10061	UNION BOLT (10X22)	2	
11	09161-10009	WASHER (10X15X1.5)	4	
12	59480-44AA1	HOSE , FRONT BRAKE	1	
13	58621-07A10	CLAMP , BRAKE HOSE	1	
14	02142-0616B	SCREW	1	

FIG.45

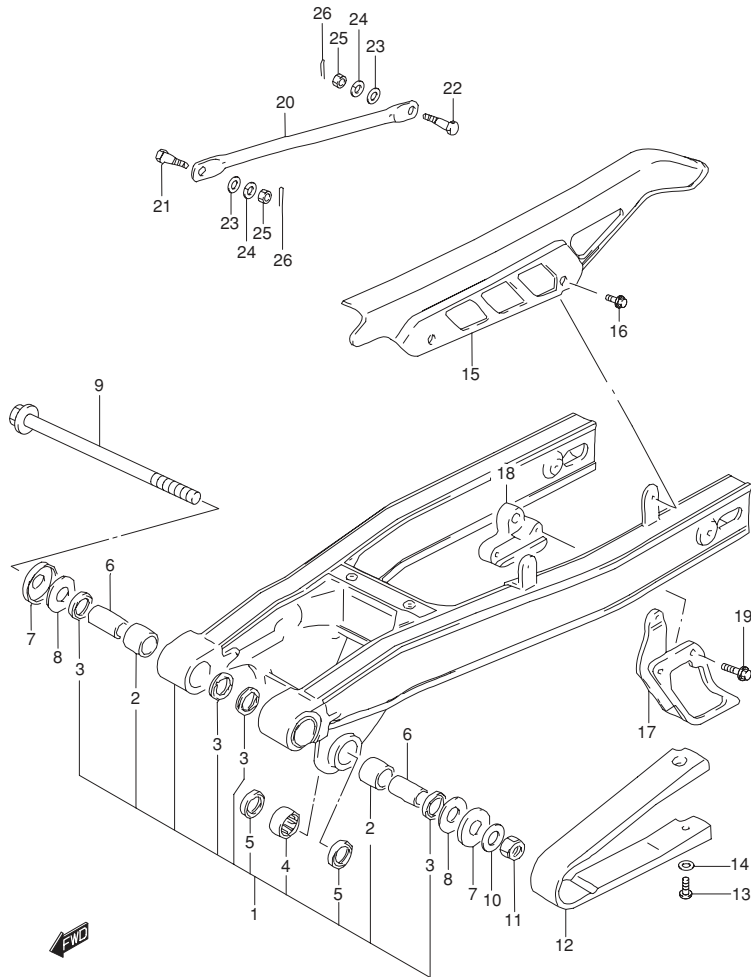


FIG.45 (F-8) REAR SWINGING ARM

REF NO.	PART NO.	DESCRIPTION	Q'TY	REMARKS
1	61100-42840	SWINGING ARM SET ,REAR	1	
2	61261-13700	·BUSHING ,PIVOT	2	
3	09283-20031	·OIL SEAL (20X27X5)	4	
4	09263-20053	·BEARING (20X27X25)	2	
5	62647-44A00	·SEAL ,DUST (20X27X4)	4	
6	61251-42A00	SPACER ,PIVOT	2	
7	61262-40400	COVER ,DUST SEAL	2	
8	08211-14322	THRUST WASHER	2	
9	61211-26B01	SHAFT ,PIVOT	1	
10	09160-14057	WASHER (14.5X24X2.3)	1	
11	09159-14019	NUT	1	
12	61273-42A01	BUFFER ,CHAIN TOUCH DEFENSE	1	
13	02142-0620B	SCREW	2	
14	09169-06037	WASHER	2	
15	61311-01A03	CASE ,CHAIN	1	
16	09116-06096	BOLT (6X10)	2	
17	61341-13A10	GUIDE ,CHAIN	1	
18	61345-42A00	RUBBER ,CHAIN GUIDE	1	
19	01550-0620B	BOLT	3	
20	64311-42A00-13L	TORQUE LINK ,REAR (SILVER)	1	
21	09111-08088	BOLT ,TORQUE LINK FR	1	
22	09111-08013	BOLT (8X26.5)	1	
23	08322-0108B	WASHER	2	
24	09162-08008	WASHER	2	
25	09140-08008	NUT	2	
26	04111-2020A	COTTER PIN	2	

FIG.46

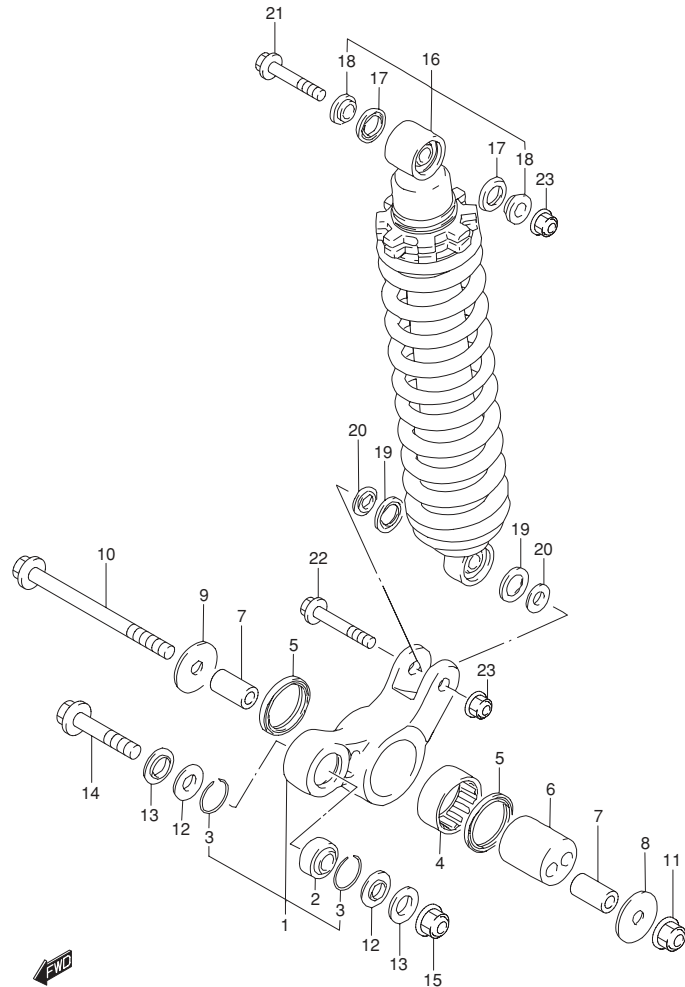


FIG.46 (F-9) REAR CUSHION LEVER

REF NO.	PART NO.	DESCRIPTION	Q'TY	REMARKS
1	62600-42812	LEVER SET ,REAR CUSHION	1	
2	09269-12006	·BEARING (12X26X16)	1	
3	62277-27C20	·RING ,BEARING STOPPER	2	
4	09263-37003	·BEARING (37X47X20)	1	
5	62624-42A00	SEAL ,DUST	2	
6	62623-42A11	SPACER ,REAR SUSPENSION ECCENTRIC	1	
7	62646-42A11	SPACER ,CUSHION LEVER SHAFT	2	
8	62628-42AA0	WASHER ,REAR CUSHION LEVER CENTER LH	1	
9	62625-42AA0	WASHER ,REAR CUSHION LEVER CENTER RH	1	
10	62621-42AA0	SHAFT ,REAR CUSHION LEVER CENTER	1	
11	08319-2112A	NUT	1	
12	62647-05A00	SEAL ,DUST REAR CUSHION FRONT	2	
13	62316-05A01	SPACER ,REAR CUSHION FRONT	2	
14	62668-42A02	BOLT ,CUSHION LEVER FRONT	1	
15-1	08319-31128	NUT	1	MODEL K6
15-2	08319-3112A	NUT	1	MODEL K7/K8/K9
16-1	62100-44AB2-YKS	ABSORBER ASSY ,REAR SHOCK (RED)	1	E28 FOR YU1
16-2	62100-44AB2-28W	ABSORBER ASSY ,REAR SHOCK (WHITE)	1	E28 FOR N9J ,019 ,30H
16-3	62100-44AC0-YKS	ABSORBER ASSY ,REAR SHOCK (RED)	1	E3 ,E33 FOR YU1
16-4	62100-44AC0-28W	ABSORBER ASSY ,REAR SHOCK (WHITE)	1	E3 ,E33 FOR N9J ,019 ,30H
17	62226-20900	·SEAL ,DUST	2	
18	62684-20900	·SPACER	2	
19	62226-02B00	·SEAL ,DUST LOWER	2	
20	62684-31300	·COLLAR ,LOWER	2	
21	09103-10428	BOLT ,UPPER (10X58)	1	
22	09103-10126	BOLT ,LOWER (10X48)	1	
23	09159-10115	NUT	2	

FIG.47

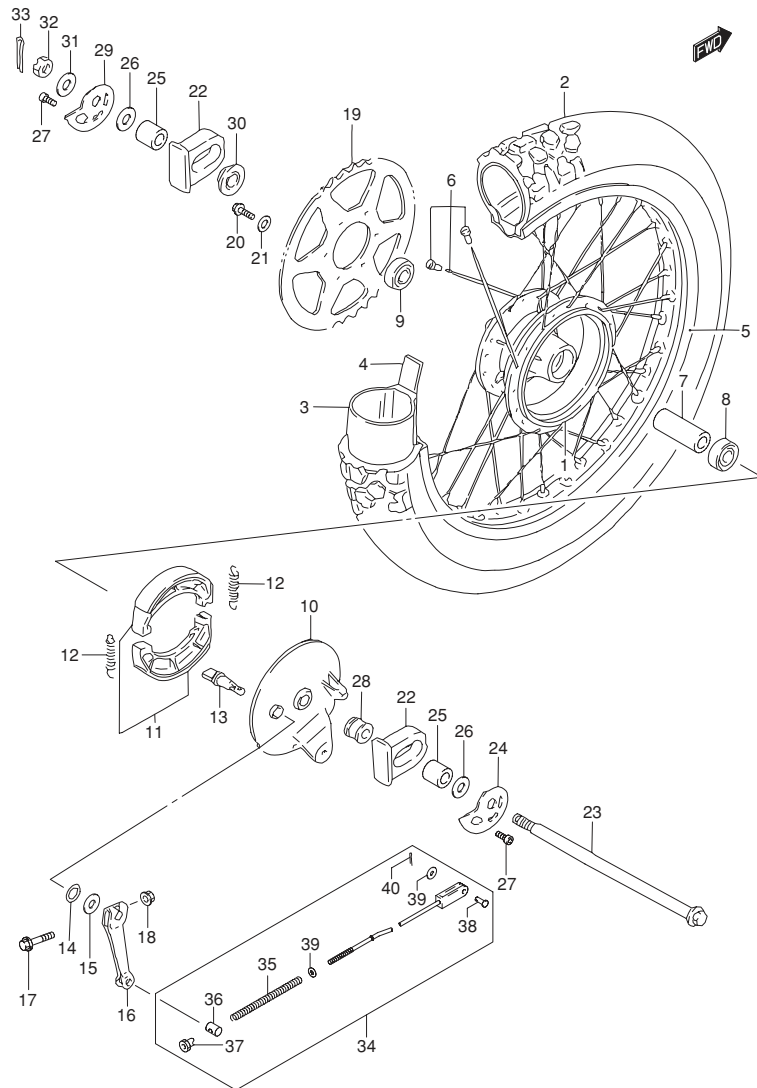


FIG.47 (F-10) REAR WHEEL

REF NO.	PART NO.	DESCRIPTION	Q'TY	REMARKS
1	64110-44A10	HUB ,REAR WHEEL (SILVER)	1	
2	65110-42AA0	TIRE ,REAR (100/90- 18 56P) (BRIDGESTONE)	1	
3	65200-42AA0	TUBE ASSY , WHEEL INNER	1	
4	65261-33030	PROTECTOR ,WHEEL INNER TUBE	1	
5	65311-42AA0	RIM ,REAR WHEEL (18X2.15)	1	
6	65320-42AA0	SPOKE ASSY ,REAR WHEEL	1	
7	09180-15013	SPACER (15.3X21.7X107.50)	1	
8	08143-62027	BEARING ,RH	1	
9	08123-63027	BEARING ,LH	1	
10	64210-44A00	PANEL ,REAR BRAKE ANCHOR	1	
11	54400-07870	SHOE SET ,BRAKE	1	
12	09443-07001	SPRING	2	
13	54441-29305	CAM ,BRAKE	1	
14	09280-14011	O RING (D:2.5 ,ID:13.8)	1	
15	09160-14055	WASHER (14.5X22X1.6)	1	
16	64451-30501	LEVER ,REAR BRAKE CAM	1	
17	01550-0640B	BOLT	1	
18	08316-1006B	NUT	1	
19	64511-42A01	SPROCKET ,REAR (NT:45)	1	
20	09103-08048	BOLT (8X30)	6	
21	09164-08020	WASHER	6	
22	61470-42A00	CAP ,REAR SWINGING ARM	2	
23	64711-44A11	AXLE , REAR	1	

FIG.47

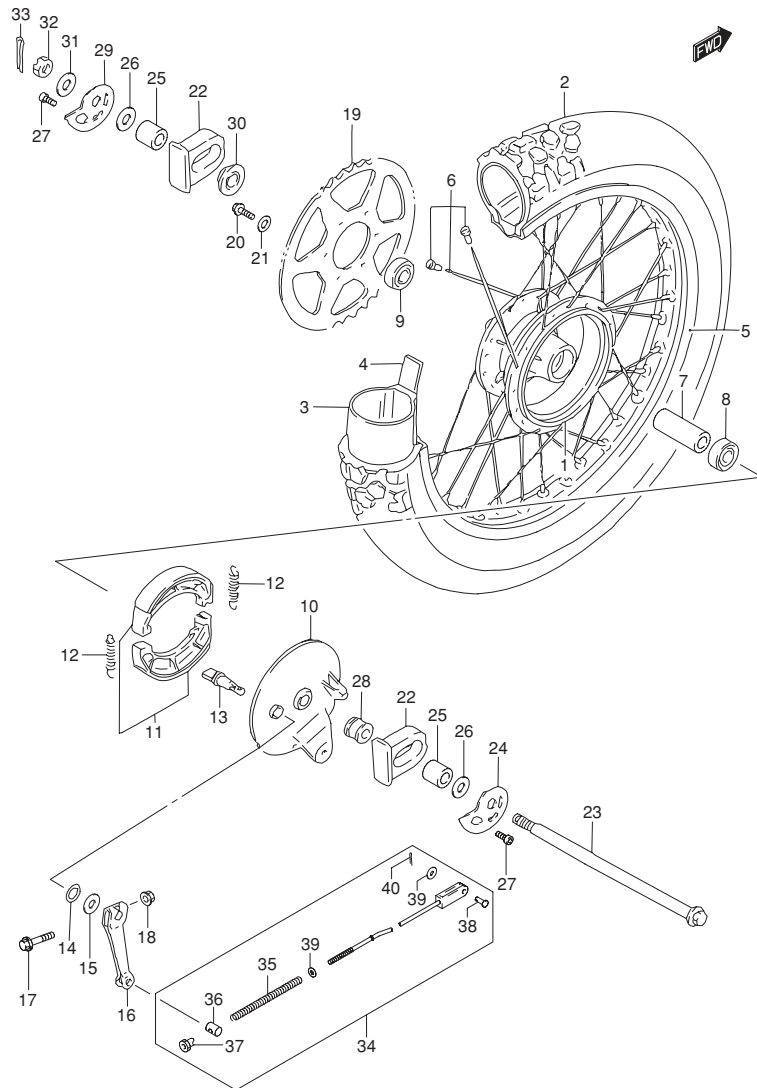


FIG.47 (F-11) REAR WHEEL

REF NO.	PART NO.	DESCRIPTION	Q'TY	REMARKS
24	61411-42A00	ADJUSTER ,CHAIN RH	1	
25	61413-42A00	SPACER ,CHAIN ADJUSTER	2	
26	09160-15039	WASHER (15.5X30X3.20)	2	
27	61431-42A10	BOLT ,CHAIN ADJUSTER	2	
28	64741-42A00	SPACER ,AXLE RH	1	
29	61421-42A00	ADJUSTER ,CHAIN LH	1	
30	64750-42A00	SPACER ,AXLE LH	1	
31	09160-14062	WASHER (14.5X30X3.2)	1	
32	08314-4014B	NUT	1	
33	04111-3025A	PIN ,COTTER	1	
34	43300-42A02	ROD ASSY ,REAR BRAKE	1	
35	09440-09004	·SPRING	1	
36	09209-13018	·PIN	1	
37	09150-06010	·NUT	1	
38	09200-06013	·PIN	1	
39	08322-0106B	·WASHER	2	
40	04111-2020A	·COTTER PIN	1	

FIG.48

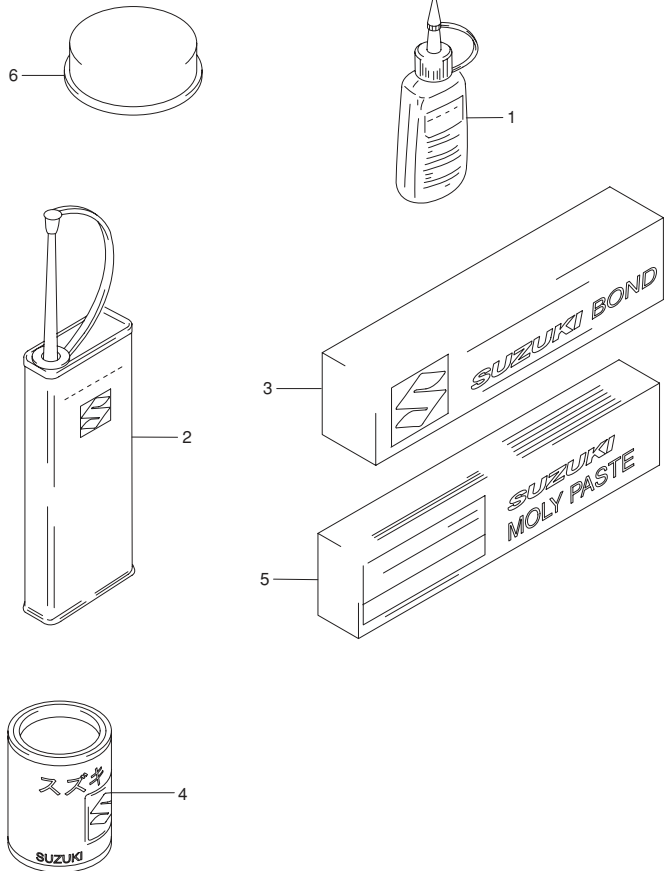


FIG.48 (F-12) OPTIONAL

REF NO.	PART NO.	DESCRIPTION	Q'TY		REMARKS
1-1	99104-32020	THREAD LOCK SUPER (1361A)	1	50G	
1-2	99104-32030	THREAD LOCK SUPER (1363A)	1	50G	
1-3	99000-32050	THREAD LOCK SUPER (1342)	1	50G	
1-4	99000-32100	THREAD LOCK SUPER (1305)	1	50G	
1-5	99000-32130	THREAD LOCK SUPER (1360)	1	50G	
2	99000-32040	THREAD LOCK CEMENT	1	200G	
3-1	99000-31110	SUZUKI BOND (1215)	1	100G	
3-2	99000-31140	SUZUKI BOND (1207B) BLACK	1	100G	
4	99000-25030	SUZUKI SUPER GREASE	1	150G	
5	99000-25140	SUZUKI MOLY PASTE	1	50G	
6	99000-25110	GREASE , BRAKE PAD (PBC)	1	20G	

PARTS NUMBER INDEX

PART NO.	FIG.NO.-REF.NO.	PART NO.	FIG.NO.-REF.NO.	PART NO.	FIG.NO.-REF.NO.	PART NO.	FIG.NO.-REF.NO.	PART NO.	FIG.NO.-REF.NO.	PART NO.	FIG.NO.-REF.NO.	
10000		12840-25C10	8-7	14150-42A22	12-1	24751-42A10	15-28	33410-05350	20-1	35725-40511	23-15	
		12842-32411	8-8	14181-42A00	1-7	25211-42A02	16-1	33510-22010	20-3	35766-14D30	24-5	
		12843-32400	8-9			25221-42A02	16-2	33541-38210	20-4	35950-14A10	22-16	
		12850-25C00	8-7	14186-42A20	12-5	25231-42A02	16-3	33542-38B00	20-5	35970-38E00	24-17	
		12861-05201	8-10	14301-42A61-H01	12-8	25310-42A00	16-6	33610-15D20	19-1	36610-42A50	25-1	
11100-42A20	2-1	12911-42A00	8-15	14773-14202	12-15	25322-31310	16-7	33624-10D00	25-3	36611-38A00	25-4	
11115-05270	2-6	12912-42A00	8-16	14781-42A20	12-9	25323-34201	16-8	33651-37000	19-2	36618-15D20	25-5	
11141-18A00	1-2	12920-05210	8-17	16321-42A00	6-14	25324-34201	16-9		19-3	36651-05301	25-9	
	2-7	12931-49201	8-18	16331-35C00	13-2	25331-30001	16-12	33810-44A00	20-13	36740-24B01	25-10	
11175-18900	2-15	12932-24400	8-19	16400-42A01	13-1	25341-05200	16-14	33860-44A00	19-5	37000-44820	25-12	
11211-13G50-0F0	3-1	12933-49201	8-20	16510-25C00	13-13	25350-42A01	16-16	34111-14A10	21-6	37000-44830	25-12A	
11241-42A10	1-3	13110-42A12	2-18	16512-42A20	13-15	25381-04700	16-21	34120-44AB0	21-1	37000-44870	25-12B	
	3-6	13200-42AC1	10-1	16520-05202	13-6	25411-16701	16-4	34120-44A90	21-1	37110-44A01	25-13	
11300-42A24	4-1	13200-42AE1	10-1	16523-05200	13-8	25421-35410	16-5	34124-14A10	21-3	37146-03A00	25-22	
11319-05200	4-6	13247-13A00	10-31	17210-44A00	31-11	25510-05201	16-25	34150-44AD0	21-5	37146-03A10	25-22	
11340-42A30	5-1	13250-42A00	10-19	20000		25600-42A00	16-30	34150-44AE0	21-5	37146-03A20	25-22	
11342-12C51	5-12	13251-42A00	10-22			25652-03D00	16-31	34173-44A90	21-8	37146-03A30	25-22	
11351-42A30	5-13	13254-92311	10-20			25671-01011	16-28	34184-12B00	21-7	37200-44A70	26-1	
11360-42A20	5-24	13267-25D00	10-28			27510-42A10	15-31	34189-14A10	21-12	37400-44A00	26-3	
11401-42830	1-1	13268-37420	10-27			27531-42A00	15-32	34910-44A20	21-18	37720-42A30	16-33	
11482-05211	1-4	13268-47070	10-13	21111-42A01	6-15	27600-14A10-112	15-36	34938-01A00	21-20	37721-42A00	16-34	
	5-3	13279-47070	10-14	21200-42A50	14-1	27620-14A10	15-37	34950-44A00	21-11	37740-45D00	25-14	
11483-05312	1-5	13281-05A00	10-32	21251-13E00	14-2			34956-15100	21-15	37840-44X50	25-16	
	5-14	13291-29900	10-12	21411-42A03	14-3			35100-14A32-999	22-1	38500-44B00	25-19	
11971-45010	5-2	13295-29900	10-11	21441-13A01	14-8			35121-14A32	22-2	38610-31X50	23-19	
12111-42A11-0F0	6-10	13370-44500	10-21	21441-25C01	14-7	30000		35135-45900	22-6	38740-24X50	25-18	
12140-22A11	6-11	13374-35C00	10-23	21451-01B40	14-9			35136-38A00	22-4			
12140-42A01	6-11	13376-19F00	10-24	21462-14103	14-10			35139-45230	22-5			
12151-22A02	6-12	13382-03110	10-16	23110-05202	14-13			35141-14A00	22-3			
12161-42A01	6-2	13382-42A00	10-4	23110-05203	14-13			35151-45900	22-7			
12200-42A21	6-1	13383-42AC0	10-18	23117-05200	14-14	31100-42A20	17-1	35152-45600	22-10	40000		
12210-42A01	6-4	13387-47010	10-6	23121-38201	14-15	31150-08F00	17-8	35154-49200	22-9			
12221-42A02	6-5	13394-10010	10-5	23122-05200	14-16	31153-49210	17-9	35158-43400	22-8			
12261-42A20	6-6	13411-42A20	10-10	23271-46010	14-23	31156-08F00	17-4	35173-01440	22-11			
12600-35843	7-4	13417-42A00	10-3	24120-42A01	15-1	31175-42A20	17-2	35601-29E C0	23-1			
12611-42A03	7-1	13500-42A00	10-8	24120-42A10	15-1	31264-32C10	17-5	35603-29E K0	23-11	41100-44AD1-YU8	27-1	
12711-42A10	8-1	13502-42A00	10-2	24125-38201	15-2	31281-08F00	17-3	35612-17C20	23-2	41100-44AL0-YU8	27-1	
12741-05201	8-2	13602-43410	10-9	24130-42A20	15-12	31361-32C10	17-7	35613-27A00	23-3	41100-44AP0-YU8	27-1	
12747-05202	8-4	13700-42A01	11-1	24221-42A02	15-3	31361-38300	17-6		23-13	41540-44AA0	27-22	
12760-42A00	9-1	13740-42A00	11-5	24231-42A03	15-4	31792-26F10	18-4	35623-27A00	23-4	41551-38200	27-17	
12771-18A00	9-2	13780-42A01	11-2	24241-42A00	15-5	31800-15501	20-10		23-14	41552-37210	27-18	
12811-18A01	9-3	13790-42A00	11-6	24251-42A03	15-6	31861-06C00	20-14	35627-27A02	23-6	41991-42A00-291	27-2	
12812-32410	9-4	13796-16700	11-4	24311-42A00	15-13	31861-10D00	20-15		23-16	41992-44AA1-YU8	27-6	
12830-19B02	9-6	13826-38300	11-9	24320-42A03	15-16		25-2	35652-17C20	23-12	42310-44A33-019	28-1	
12832-02A00	9-10	13831-42A00	11-3	24331-42A02	15-18	32101-42A30	18-1	35670-44A01	23-9	42510-44AA0-YU8	27-10	
12833-19B00	9-7	13853-42A00	11-10	24341-42A02	15-20	32101-42A40	18-1	35680-44A01	23-9	43110-14130	28-6	
12834-19B00	9-9	13870-11458	11-13	24351-42A02	15-21	32102-42A30	18-2	35710-42A30	24-1	43120-44A12	28-7	
12835-19B00	9-8	13870-14F00	11-16	24359-42A00	15-22	32800-08D10	20-8	35712-42A30	24-2	43128-38200	28-11	
12837-19B10	1-6	13877-38A00	11-15	24741-05200	15-10	32900-42A30	20-6	35713-14D30	24-3	43300-42A02	47-34	
	9-11	13881-42A00	11-8		15-25	32980-44A00	20-7	35725-40511	23-5	43510-44A03-019	29-1	

PART NO.	FIG.NO.-REF.NO.	PART NO.	FIG.NO.-REF.NO.	PART NO.	FIG.NO.-REF.NO.
43520-44A03-019	29-2	45149-31300	39-6	51452-42A00	41-14
43530-44A02	29-3	45149-43500	39-7	51452-48700	41-19
43550-44A01-019	29-4	45180-42AA0-P21	39-2	51530-42A00	41-20
43610-03001	29-11	47111-44AA0-30H	33-1	51540-42A00	41-20
43612-33200	29-12	47111-44AC0-019	33A-1	51553-34280	41-21
43911-44A00	27-12	47111-44AC0-30H	33-1	51571-01A00-019	40-26
43912-42AA0	27-14		33A-1	51575-01A00	40-27
43980-44AB2-YU8	27-20	47166-44AA0	33-2	51576-42AA0	40-25
44100-42AC0-YC2	30-1		33A-2	51631-08D30	41-24
44100-42AC0-YU1	30-1	47211-44AA0-30H	33-3	51643-01B10	41-23
44100-42AD0-YC2	30-1	47211-44AB0-019	33A-3	51811-14A20-YJ 4	34-1
44100-42AD0-YU1	30-1	47211-44AB0-30H	33-3	51811-14A20-YU1	34-1
44100-42AE0-YC2	30-3		33A-3	51811-14A30-YLW	34-1
44100-42AE0-YU1	30-3			34A-1	
44100-42AF0-YC2	30-3			51811-14A30-YU1	34-1
44100-42AF0-YU1	30-3			51811-14A30-019	34A-1
44100-42AG0-YKY	30A-1	50000		34A-1	
44100-42AG0-019	30A-1			51811-14A30-30H	34A-1
44100-42AH0-YKY	30A-1			51814-44A00	34-8
44100-42AH0-019	30A-1			34A-10	
44100-42AJ 1-019	30A-3	51103-42AA0	40-1	51900-44810	41-25
44100-42AJ 1-30H	30A-3	51104-42AA0	40-2	53111-44A00-YJ 4	34-9
44100-42AK1-019	30A-3	51110-01A30	40-16	53111-44A00-YU1	34-9
44100-42AK1-30H	30A-3	51121-33300	40-17	53111-44A20-YLW	34-9
44200-05820	30-5	51131-01A01	40-3	34A-11	
44200-12851	30-5	51141-01A01	40-4	53111-44A20-YU1	34-9
44200-41840	30A-5	51146-42AA0	40-9	53111-44A20-019	34A-11
44240-38A00	31-4	51147-06F10	40-6	53111-44A20-30H	34A-11
44300-44AB0	32-1	51148-36011	40-5	54111-44A10	42-1
		51152-33300	40-11	54400-07870	47-11
44348-87420	32-2	51153-19D10	40-13	54441-29305	47-13
44421-44A00	32-5	51156-01A00	40-14	54600-01A00	42-7
44434-42A00	31-1	51168-30B00	40-12	54711-44A01	42-5
44435-42A00	31-8	51169-47400	40-23	54740-02B40	42-6
44436-42A00	31-12	51171-42AA0	40-18	51110-42AA0	42-13
44541-14500	30-8	51173-01A00	40-15	55200-16510	42-14
	30A-8	51175-47400	40-22	55261-32E00	42-15
44542-14A00	30-9	51176-42AA0	40-20	55311-42AA0	42-16
	30A-9	51177-01A00	40-8	55320-42A00	42-17
44880-44AB0	31-16	51181-31030	40-21	56110-44AA0-291	35-1
44892-24A00	31-5	51189-31230	40-24	56211-27200-291	41-6
44894-24A00	31-6	51192-20510	40-19	56221-42A00-291	41-7
	31-17	51195-43530	40-7	56240-42A00	41-9
45100-42AP0-BDL	39-1	51196-45200	40-10	56242-28C60	41-10
45100-42AP0-CEP	39-1	51311-44AA0-291	41-3	56243-42A00	41-12
45100-42AP0-DTU	39-1	51353-24B00	41-4	56321-27E00	41-11
45100-42AP0-DUY	39-1	51354-14D00	41-5	56500-10041	35-2
45100-42AP0-DUZ	39-1	51410-42AB0	41-1	56500-10042	35-2
45100-42AP0-FCB	39-1	51451-42A00	41-27	56600-10041	35-3
45119-42A00	39-10	51452-05130	41-16	56600-10042	35-3

PART NO.	FIG.NO.-REF.NO.	PART NO.	FIG.NO.-REF.NO.	PART NO.	FIG.NO.-REF.NO.
57100-13601	36-2	59675-27C00	44-8	63100-44AG0-30H	37-4
57110-14D00	36-1	59748-14500	44-9	63110-44AB0	37-1
57122-13600	36-5A	59748-36E00	44-9	63110-44AC0	37-1
57129-13601	36-3			63411-44AA0	37-16
57211-27C00	36-15			64110-44A10	47-1
57318-14502	36-11	60000		64210-44A00	47-10
57341-40002	36-28			64311-42A00-13L	45-20
57421-03D00	36-6			64451-30501	47-16
57431-11013	36-18			64511-42A01	47-19
57431-14500	36-7			64711-44A11	47-23
57431-14511	36-9	61100-42840	45-1	64741-42A00	47-28
57441-11010	36-20	61211-26B01	45-9	64750-42A00	47-30
57442-44B00	36-21	61251-42A00	45-6	65110-42AA0	47-2
57460-17C11	36-12	61261-13700	45-2	65200-42AA0	47-3
57465-17C00	36-13	61262-40400	45-7	65261-33030	47-4
57465-18601	36-24	61273-42A01	45-12	65311-42AA0	47-5
57481-33010	36-26	61311-01A03	45-15	65320-42AA0	47-6
57484-49110	36-27	61341-13A10	45-17	68110-42AA0-DRA	30-4
57500-44AD0	36-16	61345-42A00	45-18	68110-42AA0-DVM	30-4
57541-49100	36-25	61411-42A00	47-24	68110-42AB0-FDC	30A-2
57620-15D11	36-17	61413-42A00	47-25	68110-42AB0-FDD	30A-2
58200-44AB1	35-4	61421-42A00	47-29	68110-42AC0-GJ B	30A-4
58285-05351	35-8	61431-42A10	47-27	68110-42AC0-GJ C	30A-4
58300-44AA0	35-11	61470-42A00	47-22	68110-42A90-CET	30-2
58620-15D10	35-13	62100-44AB2-YKS	46-16	68110-42A90-CLK	30-2
58621-07A10	44-13	62100-44AB2-28W	46-16	68131-42A40-CLM	33-4
59121-01A00	43-15	62100-44AC0-YKS	46-16	68131-42A40-8YM	33-4
59122-01A00	43-16	62100-44AC0-28W	46-16	68131-42A50-DVN	33-5
59221-13A01	42-8	62226-02B00	46-19	68135-42A20-EVH	33-6
59300-13810	43-2	62226-20900	46-17	68135-42A20-EVM	33-6
59300-42A10-999	43-1	62277-27C20	46-3	68135-42A30-GJ D	33A-4
59300-42880	43-17	62316-05A01	46-13	68135-42A30-GJ E	33A-4
59303-13A00	43-12	62600-42812	46-1	68145-42A20-EVH	33-7
59305-13A01	43-10	62621-42AA0	46-10	68145-42A20-EVM	33-7
59306-13A00	43-11	62623-42A11	46-6	68145-42A30-GJ D	33A-5
59314-13A00	43-8	62624-42A00	46-5	68145-42A30-GJ E	33A-5
59315-13A00	43-4	62625-42AA0	46-9	68151-07G10-YCF	34-12
59345-13A00	43-13	62628-42AA0	46-8	68151-07G10-YD8	34A-14
59346-13A00	43-14	62646-42A11	46-7	68319-29F00	38-1
59351-13A01	43-5	62647-05A00	46-12	68319-29F10	38-1
59371-13A00	43-18	62647-44A00	45-5	68332-42AC 1	38-2
59382-13A00	43-7	62668-42A02	46-14	68332-42AD1	38-2
59384-13A00	43-9	62684-20900	46-18	68353-26E02	38-4
59386-13A00	43-6	62684-31300	46-20	68387-44AA0	38-3
59480-44AA1	44-12	63100-44AC0-YJ 4	37-4	68387-44AB0	38-3
59600-03D01	44-1	63100-44AC0-YU1	37-4	68720-42A00-CNS	34A-2
59666-44300	44-3	63100-44AG0-YLW	37-4	68720-42A00-EVN	34A-2
59667-44B00	44-4			68720-42A10-GJ E	34A-3
59669-03D00	44-5	63100-44AG0-YU1	37-4	68720-42A10-GJ F	34A-3
59671-03D00	44-7	63100-44AG0-019	37-4	68721-05D00-YD8	34A-4

5

PART NO.	FIG.NO.-REF.NO.	PART NO.	FIG.NO.-REF.NO.	PART NO.	FIG.NO.-REF.NO.	PART NO.	FIG.NO.-REF.NO.	PART NO.	FIG.NO.-REF.NO.	PART NO.	FIG.NO.-REF.NO.
68725-42A10-CLM	34-2	01547-0620B	13-10	02112-3616B	2-20	08310-0005B	21-22	09103-08048	47-20	09140-18004	6-16
68725-42A10-8YM	34-2	01547-0625B	5-25		11-18		35-10	09103-08138	4-10	09141-12004	42-11
	34-2	01547-0630B	5-6	02112-7412A	21-2		36-10	09103-08269	43-19	09145-06005	12-6
69100-13820	43-3		5-15	02112-7512A	13-7	08310-00057	21-14	09103-08328	27-7	09150-06010	47-37
69600-38810	44-2		17-11	02122-0410B	36-4	08310-0006B	21-17	09103-08332	2-22	09159-08049	2-11
		01547-0635B	5-16	02122-0412B	44-6		24-16		27-3	09159-08067	12-4
			5-26	02122-0612A	15-11		28-17	09103-08357	12-20	09159-10097	28-5
90000		01547-0640B	5-17		15-26	08310-0008B	37-9	09103-10126	46-22	09159-10115	4-11
		01547-0645B	5-7	02142-0508B	23-10	08313-1006B	13-20	09103-10370	4-8		46-23
		01547-0650B	5-18	02142-0510B	20-2	08314-4008B	28-14	09103-10374	4-9	09159-14019	45-11
95700-41821	37-17	01547-0655B	4-3	02142-0610B	14-25	08314-4014B	47-32	09103-10428	46-21	09160-05043	21-13
95700-44810	37-17	01547-0660B	4-4	02142-0612B	34-3	08316-1005B	24-18	09103-12047	29-5	09160-05049	22-17
99000-25030	48-4	01547-06757	4-5		34A-5	08316-1006B	3-5	09106-08095	7-6	09160-06084	21-16
99000-25110	48-6	01550-0612B	25-20	02142-0616B	37-13		47-18	09106-08105	27-21		37-14
99000-25140	48-5		37-2		44-14	08316-1008B	2-10	09106-08151	37-7	09160-06109	24-9
99000-31110	48-3	01550-0616B	34-10	02142-0620B	34-6	08316-1010B	23-8	09106-08155	42-9	09160-08039	24-15
99000-31140	48-3		34A-12		34A-8		23-18	09108-06108	13-19	09160-14055	2-12
99000-32040	48-2	01550-0620B	25-17		45-13	08316-2006A	39-5	09108-06123	13-18	09160-14057	47-15
99000-32050	48-1		27-23	02162-0625B	8-14	08319-2106A	36-8	09108-08184	3-3	09160-14057	45-10
99000-32100	48-1		37-10		20-9		36-19	09108-08195	3-2	09160-14062	47-31
99000-32130	48-1		45-19	03541-0410B	25-7	08319-2112A	46-11	09111-06054	16-17	09160-15039	47-26
99011-42A58-03A	38-5	01550-0635B	2-4	04111-2015A	28-10	08319-3106A	37-6	09111-08013	45-22	09160-15045	14-18
99011-42A58-28B	38-5	01550-0640B	47-17		29-9		37-12	09111-08088	45-21	09160-19024	29-13
99011-42A59-03A	38-5	01550-0660B	2-5		29-15		37-15	09111-10047	28-4	09161-10009	44-11
99011-42A59-28B	38-5	01550-0812B	15-34		35-6	08319-3106B	27-16	09116-05020	14-12	09162-08008	45-24
99011-42A60-03A	38-5		39-9	04111-2020A	28-15	08319-3108B	2-23	09116-06047	27-24	09164-08020	47-21
99011-42A60-28B	38-5	01550-0835B	41-8		45-26		4-12	09116-06096	45-16	09164-12021	8-12
99011-42A61-03A	38-5	01550-1040A	41-18		47-40		27-5	09116-06130	31-14	09166-18003	6-17
99011-42A61-28B	38-5	01551-1016B	27-11	04111-3025A	42-12		27-9	09116-06131	27-24	09167-22011	15-19
99104-32020	48-1	01570-0630B	30-14		47-33	08319-3110B	29-7	09116-06165	27-19	09168-06023	1-8
99104-32030	48-1		30A-14	04211-09129	5-23	08319-31107	41-13	09116-06211	27-19		2-9
		01580-0635B	27-13	04211-11149	3-7	08319-3112A	46-15	09116-06212	22-13		5-5
		02112-0408B	10-33	04211-11169	2-8	08319-31128	46-15	09118-08080	12-17		8-13
			31-7	04211-13189	4-2	08321-01067	41-15	09125-04501	24-6	09168-06026	32-4
		02112-0412A	10-26		5-4	08321-0108B	2-24	09125-06055	24-4	09168-06120	12-10
		02112-0420A	26-2	04221-04069	16-22		27-4	09126-06011	16-13	09168-06122	12-7
		02112-0508A	16-36	07120-0835B	12-16		27-8		16-15	09168-08016	9-5
		02112-0512B	18-5	07130-0525B	18-3A	08321-0110A	41-28	09128-06006	27-15	09168-08021	1-9
		02112-0516A	16-37	08113-62017	42-3	08321-0110B	4-15		32-3		2-13
		02112-0516B	21-19	08123-60027	15-9	08322-0106B	47-39	09128-06044	20-11	09168-12002	5-20
01421-0625B	3-4		21-21	08123-63027	47-9	08322-01067	36-23	09134-06010	14-21		12-14
01421-0825A	12-3		35-9	08133-62017	42-4	08322-0108B	12-21	09136-06017	33-11	09168-14002	1-10
01500-0610B	4-7		36-5	08143-62027	47-8		45-23		33A-9		5-11
	15-29	02112-05167	18-3	08211-06141	16-18	08322-0112B	42-10	09137-05004	17-12		13-12
01500-0616B	14-24	02112-0525B	26-4	08211-08202	28-13	08331-3117A	15-30	09139-02003	21-4		16-24
		02112-0530B									
01500-0620B	9-12	02112-06087	41-17	08211-08283	15-35	08332-1106A	13-4	09139-06076	12-11	09169-06010	37-3
	16-32	02112-0625B	13-5	08211-14322	45-8	08361-2508B	12-22	09139-06089	37-18	09169-06031	33-12
	24-8	02112-3512B	41-26	08211-20355	14-6	08361-3506A	20-12	09140-06023	14-22		33A-10
01500-06207	36-22	02112-36127	34-5	08212-06201	39-4	09100-06009	28-16	09140-08008	45-25	09169-06037	45-14
01500-0630B	24-14		34A-7	08212-08182	4-13	09100-06166	8-5	09140-16001	14-4	09169-06045	37-5

PART NO.	FIG.NO.-REF.NO.	PART NO.	FIG.NO.-REF.NO.	PART NO.	FIG.NO.-REF.NO.
09169-06045	37-11	09263-20053	45-4	09321-06026	24-13
09169-06053	34-11	09263-22031	7-5	09321-06030	24-12
	34A-13	09263-31008-0B0	6-3	09321-10007	12-12
09169-06065	27-25	09263-37003	46-4	09321-10027	33-10
09169-06071	39-3	09264-17001	15-23		33A-8
09169-08037	37-8	09265-25019	41-22	09329-10001	39-8
09169-16003	14-5	09265-30009	41-2	09329-10016	30-6
09180-06245	34-4	09269-12006	46-2		30A-6
	34A-6	09280-09005	1-11	09343-05414	31-8
09180-06249	34-7		8-11	09343-05509	31-1
	34A-9	09280-13004	1-12	09352-50823-600	10-29
	22-14		13-14		32-5
09180-06271	30-13	09280-14011	47-14		32-5
	30A-13	09280-17003	1-13	09352-70113-00B	31-12
	27-28		5-9	09355-35755-600	31-18
09180-06291	24-10	09280-21008	1-14	09355-45855-600	10-30
09180-08151	12-18		15-33	09355-50109-160	32-5
09180-12068	16-26	09280-22001	16-35	09360-10061	44-10
09180-12146	42-2	09280-22008	1-15	09380-20009	15-7
09180-13006	7-3		5-22	09380-22006	15-17
09180-15013	47-7	09280-24003	17-10	09381-10004	2-2
09181-10195	14-17	09280-30001	1-16	09381-16001	6-13
09181-17167	15-14		2-16	09390-22002	8-6
09200-06004	35-5	09280-35001	1-17	09401-06405	31-19
09200-06013	47-38		2-19	09401-08401	32-6
09200-06033	29-14	09280-54001	1-18	09401-09403	32-6
09200-06038	28-8		13-16	09401-10409	31-13
09200-08002	29-8	09280-60005	1-19	09401-11101	11-14
09206-08001	2-3		13-9	09401-11413	31-3
09206-13003	7-2	09282-10012	14-20		31-10
09209-05011	16-39	09282-12009	6-9	09401-13409	11-12
09209-13018	47-36	09283-20031	45-3	09401-14301	11-11
09223-04001	16-20	09283-30053	15-27	09401-16401	11-17
09241-22002	2-17	09285-12002	16-29	09402-48208	2-21
09247-12103	12-13	09289-05015	8-21	09402-56208	11-7
09247-12104	5-19	09319-08032	4-14	09404-06429	16-38
09247-14026	5-10	09319-10053	29-6		25-6
	13-11	09320-08018	33-8	09404-06433	25-6
	16-23		33A-6	09407-11401	25-8
09259-20019	5-8	09320-08021	27-26	09407-12402	36-14
09259-26011	5-21	09320-08029	33-9	09407-14403	25-8
09261-02008	13-3		33A-7		31-21
09261-05003	16-10	09320-09015	24-11	09407-18402	25-8
09261-05005	8-3	09320-09018	22-15	09407-25401	25-8
09262-20069	15-8	09320-10020	30-11		35-7
09262-22018	15-24		30A-11	09407-25402	30-7
09262-28014	6-7	09320-10501	27-27		30A-7
09262-35038	6-8	09320-12043	12-19	09407-30402	30-10
09263-15003	14-19	09320-14013	30-12		30A-10
09263-17004	15-15		30A-12	09408-00012	25-21

PART NO.	FIG.NO.-REF.NO.	PART NO.	FIG.NO.-REF.NO.	PART NO.	FIG.NO.-REF.NO.
09408-00078	35-12				
09420-03008	18-6				
09421-04007	6-18				
09440-04003	16-11				
09440-04010	16-40				
09440-09004	47-35				
09440-10009	32-7				
09440-10031	31-20				
09440-13043	31-9				
09440-13053	31-2				
09440-15021	14-11				
09440-18002	13-17				
09443-06064	25-15				
09443-07001	47-12				
09443-10036	16-19				
09443-12035	28-2				
09443-14002	28-12				
09443-20003	28-3				
09444-11005	28-9				
09444-26023	16-27				
09448-14037	29-10				
09462-00034	31-15				
09462-00093	19-4				
09471-12028	21-9				
09471-12045	23-7				
	23-17				
09471-12077	21-10				
09471-12083	24-7				
09471-12185	22-12				
09481-20101	25-11				
09482-00223	2-14				
09482-00399	2-14				
09491-25010	10-17				
09492-35008	10-15				
09493-27001	10-25				
09494-00881	10-7				
09800-21022	37-19				

SUZUKI **DR200SE(K6/K7/K8/K9)** PARTS CATALOGUE

3rd Edition
Published in Jul., 2008

© 2008 **SUZUKI MOTOR CORPORATION** All rights reserved.

No part of this document may be reproduced or transmitted in any form or by any means, electronic or mechanical, for any purpose, without the express written permission of Suzuki Motor Corporation.

SUZUKI MOTOR CORPORATION

Technical Readiness Group, Quality Administration Department
300 Takatsuka, Minami, Hamamatsu, Japan

Reprint Prohibited (S)

1

INFORMATION
ILLUSTRATION INDEX

2

ENGINE
TRANSMISSION

3

ELECTRICAL

4

BODY

5

PARTS NUMBER INDEX

SUZUKI MOTOR CORPORATION



9900B-26020-020

