

HEATHHALL GARDEN CENTRE



2019 OUTDOOR LIVING

BARR'S HOME & GARDEN

WHITESYKE GARDEN CENTRE



DALBEATTIE GARDEN CENTRE



MOFFAT GARDEN CENTRE

Edinburgh Road, Dumfries DG1 1SE
Phone: 01387 263101



Heathhallgardencentre.com
Freephone: 01387 201940

CONTENTS

- *ROYAL CRAFT : : : : 1 - 4*
- *PAGODA : : : : : 5 - 14*
- *GLENDALE : : : : : 15- 17*
- *KATIE BLAKE : : : ...18 - 26*
- *ALEXANDER ROSE : .27 - 34*
- *GARDECO : : . : ..35 - 37*
- *TOM CHAMBERS : : : ..38 - 43*
- *ZEST 4 LEISURE : . : : .44- 57*
- *WOODSHAW : : . : : .58 - 71*
- *FOREST : : : : : : : 72 - 78*
- *CAMPINGAZ : : : : : : : 79 - 83*



MARLOW 4 SEATER CUBE SET



The Marlow 4 Seater Cube Set is an ideal way to create an outdoor lounge in your own garden. This Cube Set include square table and four cube armchairs complete with seat pads for added comfort. With lovely slate grey weave and a strong and durable steel frame with polyethylene hand woven flat wicker for a low maintenance and weather resistant set is perfect for use all year round. When not in use, the set can be stored away in a neat cube shape by folding down the chair backs and fitting under the table. Marlow 4 Seater Cube Set is the perfect choice for any outdoor area.



EASY COMPACT STORAGE

Features:

- Manufactured by Royalcraft
 - Rattan Material
 - 110cm Cube Table with Black Glass and 4 Cube Chairs KD
 - Steel Frame
 - Made using a double round rattan weave
 - Tempered safety glass
 - Slate Grey Weave Finish
 - Grey Cushion
 - Weather Resistant; Water Resistant; Rust Resistant
 - Also Matching Furniture Available
- Dimensions:
Table: W 110 x D 110 x H 72cm
Chair: W 53.5 x D 55.3 x H 83.5

MARLOW 8 SEATER CUBE SET



The Marlow Deluxe 8 Seater Cube Set can comfortably seat up to eight people, being perfect for enjoying those summer evenings outdoors. Including square table with a tempered glass top and accompanied by four cube chairs and four footstools, complete with cushion seat pads for added comfort. Marlow Cube Set is made with lovely slate grey weave and a strong and durable steel frame with polyethylene hand woven flat wicker for a low maintenance and weather resistant set perfect for use all year round. When not in use, the footstools can be fit underneath the chairs, and the chair backs fold down to then fit under the table creating a neat cube.

EASY COMPACT STORAGE



Features:

- Rattan Material
- Square Table with Parasol Hole, 4 Chairs and 4 Stool/Footstools
- Steel Frame
- Made using a double round rattan weave
- Tempered safety glass
- Slate Grey Weave Finish
- Grey Cushion
- Weather Resistant, Water Resistant, Rust Resistant
- Also Matching Furniture Available

Dimensions:

Table: W 125 x D 125 x H 76 cm

Chair: W 58 x D 58 x H 68

Footstool: W 55 x D 49 x H 35

MARLOW CORNER LOUNGING SET



This Marlow KD Corner lounge set is perfect for you and your loved ones to enjoy. Complete with 2 seater sofa, chaise longue, ottoman with tempered glass top and all cushions, its perfect for use indoors and out with its flat, polyethylene wicker around a rigid steel frame. This set can be assembled LH or RH. This set is durable and weather resistant for use all year round.

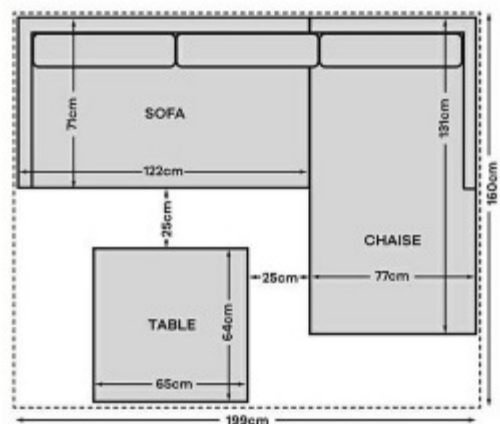


Features:

2-Seat Sofa : W131*D77*H63 cm

Chaise: W143*D71*H63 cm

Coffee Table: W 64*D65*H30 cm



Royalcraft

CANNES 4 SEAT DINING ROUND

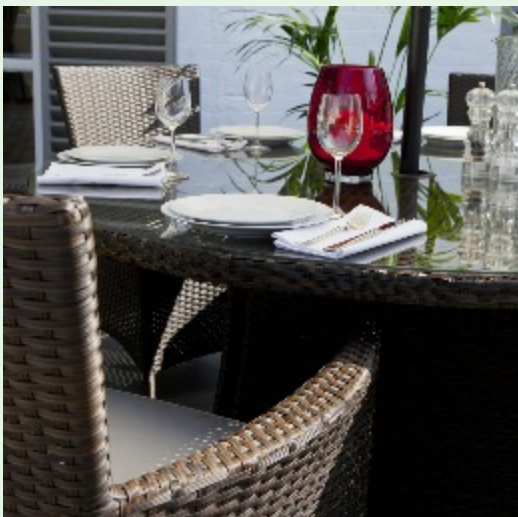
new

WITH PARASOL

£599.00



Cannes 4 Seater Round Dining Set is a practical but stylish garden furniture set that will be functional year after year. This dining set includes round table with a tempered glass top, four luxurious carver chairs which are comfortable yet sturdy and durable. Cannes Round Dining Set made using the highest quality polyethylene mocha brown wicker woven around a rigid quality aluminium frame. While the gorgeous soft, ivory coloured cushions offer a touch of rustic luxury.



Dimensions:

Table: W 110 x D 110 x H 75 cm

Chair: W 60 x D 50 x H 85

AVAILABLE WITHOUT PARASOL



£550.00

AMALFI 4 SEAT BURGUNDY INC. PARASOL



The Amalfi 4 seater set consists of 105cm round table with tempered glass table top, and 4 armchairs with extra deep burgundy and chocolate stripe cushions for additional support and comfort. The set comes complete with 2.4m crank and tilt brown parasol. This is a practical but stylish garden furniture set that will be functional year after year. The stylish Amalfi 4 Seater Dining Set is ideal for garden dining with family and friends. The set is designed to be easy to maintain and rust free with the chairs and tables having a strong aluminium frame.



Set includes:

1x Table, 4x Chairs, 4x Cushions, 1x Parasol Burgundy

Dimensions:

Table: Diameter: 105cm, Height: 70cm; Weight: 18kg.

Chair: Depth: 59cm, Width: 69cm, Height: 90cm.

Parasol: Diameter: 240cm.

CANNES BISTRO SET MOCHA BROWN



£299.00

Set includes: 1x table inc. 5mm tempered glass, 2x chairs inc. seat cushions.

Colour: Mocha Brown

Features:

- Wicker weave
- Natural look
- Synthetic rattan
- Powder coated aluminium frame
- UV stabilised to prevent fading in the sun
- Can be cleaned using a pressure

ROYAL CRAFT GRAVITY RELAXER



£49.99

AVAILABLE IN BLACK OR BROWN

This folding relaxer chair offers great comfort with multiple levels of adjustment. The Folding Zero Gravity Chair in Black, offers ultimate comfort and support while you relax on a sunny afternoon. This great value relaxer chair is very unique and comfortable. It comes with an adjustable seat to help you find the best seating position for optimal comfort. The steel frame provides a strong and sturdy base making this a durable and well-designed chair. There is also a headrest to optimise relaxation.



£49.99

Features:

- Coated Steel
- Textylene
- Reclining



Dimensions:

Chair: Width 64 x Height 111.5 cm
 Chair Folded: W 63 x H 111 cm

RIO 4 SEATER RECLINING SET ALUMINIUM



£499.00

**PRODUCT
DETAILS : RIO
4 SEATER
RECLINING
SET.**

Features:
4 x Recliner
chairs with
headrests

Lightweight and
Durable
Aluminium
Frame

2.5 Metre Crank
& Tilt Parasol

RIO 6 SEATER RECLINING SET WITH PARASOL

**PRODUCT DETAILS
RIO 6 SEATER
RECLINING SET.**

Features:
6 x Recliner chairs with
headrests

Lightweight and Durable
Aluminium Frame
2.7 Metre Crank & Tilt
Parasol

Tempered safety glass

Dimensions:

Chair - 72.5 x 55 x
109cm, Table - 1.65m x
101 x 71cm with 45cm

Lazy Susan

Parasol Base sold
separately



£699.00

ROMA 4 SEATER DINING SET WITH PARASOL



**Crank and tilt parasol with Polyester canopy
Tempered safety glass**

Dimensions:

Chair - 56.5 x 75 x 90.5cm, Table - 71 x 95 x 95cm, Parasol 238 x 220 x 220cm

Parasol base sold separately

Designed for comfort, with durable steel frames that are powder coated to provide robust anti-rust protection. The stackable chairs help make this range easy to store, while the 9cm deep filled, polyester cushions make this range popular for those long lazy days outside.

ROMA 6 SEATER DINING SET WITH PARASOL



Description

Table dimensions :
1.52m length, 96cm width, 70cm height

Chair dimensions :
56cm x 74cm x 89cm

Parasol dimensions :
38mm diameter, 2.5m height

Sturdy steel frame

5mm glass top

Parasol base not included

SANTORINI 4 SEAT ROUND SET (RECLINING)



Santorini 4 Seat Recliner Set - PAGSA4R

4 x Reclining Chairs with Head Rests,
1 x Round Table,
1 x 2.5m Parasol with Crank & Tilt

Specification & Dimensions

Chair 72.5 x 55 x 109cm

Table: Ø1.2m x 73cm with 45cm Lazy Susan

Materials

Aluminium Frame,
Tempered Safety Glass

SANTORINI 6 SEAT RECTANGULAR SET



Santorini 6 Seat Recliner Set - PAGSA6R

6 x Reclining Chairs with Head Rests

1 x Rectangular Table,

1 x 2.7m Parasol with Crank & Tilt

Specification & Dimensions

Chair 72.5 x 55 x 109cm

Table: 1.65m x 101 x 71cm with Lazy Susan

Materials

Aluminium Frame,
Tempered Safety Glass

RHODES 4 SEAT ROUND SET (STACKING)



Rhodes 4 Seat Stacking Set – PAGRH4S

4 x Stacking Chairs,

1 x Round Table,

1 x Parasol with Crank & Tilt

(Parasol Base not included)

Specification & Dimensions

Chair 54.5 x 68 x 91cm

Table Ø0.95m x 70cm

Materials

Steel Frame, Tempered Safety
Glass Table top

RHODES 6 SEAT RECTANGULAR SET (STACKING)



Rhodes 6 Seat Stacking Set – PAGRH6S

6 x Stacking Chairs,

1 x Rectangular Table,

1 x Parasol with Crank & Tilt

(Parasol Base not included)

Specification & Dimensions

Chair 54.5 x 68 x 91cm

Table 1.52m x 96 x 70cm

Materials:

Steel Frame, Tempered Safety
Glass Table top

4 PIECE TEXTILENE COFFEE SET

new

This Is a 4 Piece garden Patio Table Chairs Furniture Set, Including 2 Single Chairs, 1 Love seat and 1 Coffee Table. This Furniture Set Will Add Beautiful To You Outdoor Living Space. Powder-Coated Steel Frame Will Provide Years Of Outdoor Use.

£179.00



SPECIAL PRICE!

RATTAN FOLDING COFFEE SET

new

This Is a 4 Piece Rattan garden Patio Table Chairs Furniture Set, Including 2 Single Chairs, 1 Love seat and 1 Coffee Table. This Furniture Set Will Add Beautiful To You Outdoor Living Space. Easy to fold and store away with scatter cushions. Easy to was and Will Provide Years Of Outdoor Use

£249.00



THE RATTAN EGG CHAIR

new

£169.00



SPECIAL PRICE!

Product Details

Boxed Dimensions & Weight:

W: 95.5cm H: 198.0cm D: 95.5cm
255.0kg

Features:

Rattan Egg Chair.

Overall Size 95.5 x 95.5 x 198cm,

Steel Frame,
Basket Size 106.5 X 80.5 X
57.5 cm,

Main Pole Dia.42Mm,
260G Ukfr

Polyester Thick Cushion - 16cm with
headrest And tie

THE RATTAN SWIVEL CHAIR

new

£149.99



Product Details

Boxed Dimensions &
Weight:

W: 94.0cm H: 89.5cm D:
80.0cm 12.0kg

Features:

Swivel Rattan Chair,

Size 94 X 80 X 89.5m,

Steel Frame,260G Ukfr

Polyester,16Cm

Cushion,Filling Ukfr

2.5 METRE ALUMINIUM PARASOL BIEGE



2 5m Beige push up parasol

6 Steel Ribs, with Air Vent (Parasol Base not included)

Specification & Dimensions

Parasol 2.5m, .38mm pole diameter

Materials

Aluminium Pole, Steel Ribs, Water Resistant

2.5 METRE CRANK AND TILT PARASOL

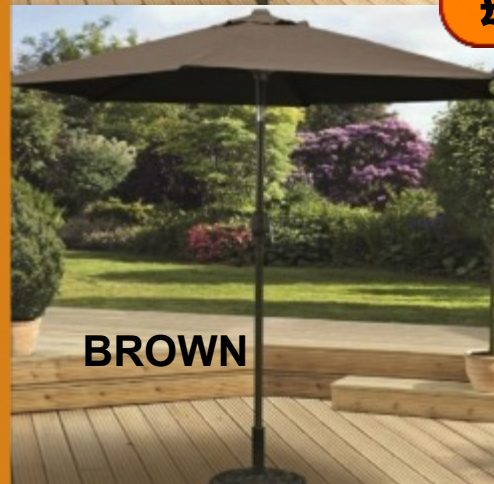


BEIGE



APPLE GREEN

£39.99



BROWN

2.5m Parasol with Crank and Tilt, 6 Steel Ribs with Air Vent (Parasol Base not included)

Specification & Dimensions Parasol 2.5m, 38mm pole diameter Materials Aluminium Pole, Steel Ribs,

3 METER CRANK AND TILT PARASOL



3m Parasol with Crank and Tilt, 6 Steel Ribs with Air Vent (Parasol Base not included)
Specification & Dimensions Parasol 3m, 38mm pole diameter Materials Aluminium Pole, Steel Ribs, Water Resistant

RESIN PARASOL BASES 9 KG & 14 KG



DELUXE LOUNGER RENAISSANCE CHAIR

new



£74.99

Stretch out and soak up the sun on this Glendale Deluxe Sunbed - Renaissance Rouge and Grey. The plush cushion and multi position reclining backrest ensure you can relax back in comfort with minimum effort required.

**CUSHION
COLOUR
ROUGE**

Lies flat for sunbathing

Detachable cushion with hand sewn piped edges

Ties hold cushion in place

Powder coated steel frame

Frame folds for storage

UV resistant

Fire retardant cushion

Frame colour: Black

Dimensions:

W65 x D115 x H94 cm

Weight: 9kg

Maximum user

Weight: 120kg



£74.99

**CUSHION
COLOUR
GREY**

DELUXE RECLINER RENAISSANCE CHAIR



£64.99

This Glendale Deluxe Recliner - Renaissance Grey & Rouge is a great all round chair for in the garden. The multi position back rest, 10cm thick plush cushion and metal sprung base combine to create a recliner that is equally comfortable whether sitting upright at a table or relaxing back in the sunshine.

**CUSHION
COLOUR
ROUGE**

Sturdy powder coated frame

Boxed, piped and buttoned cushion

Removable cushion attaches to frame using ties and head rest sleeve supplied

Frame folds flat for storage

Protective feet

Frame colour: Black

Cushion colour: Grey or Rouge

Dimensions: W58 x D58 x H99 cm

Weight: 7kg

Maximum user weight: 120kg



£64.99

**CUSHION
COLOUR
GREY**

DELUXE RELAXER RENAISSANCE CHAIR



£69.99

This Glendale Deluxe Relaxer - Renaissance Grey and Rouge is a multi position chair that is easy to adjust using the armrests. It features a chic grey and rouge coloured patterned cushion that blends in well and complements any garden setting.

**CUSHION
COLOUR
ROUGE**

Powder coated steel
frame

Cotton and polyester
piped cushion

Removable cushion
secures to the frame
with ties

Frame folds flat for
storage

Frame colour: Black

Cushion colour: Grey
or Rouge

Cushion thickness:
10cm

Dimensions: W58 x
D73 x H99 cm

Weight: 8kg

Maximum user
weight: 120kg



£69.99

**CUSHION
COLOUR
GREY**

KENSINGTON 6 SEAT ROUND 1.35 M SET



Dove Grey
Weave



Pepper Grey
Cushions

**Style and colour may vary from images.
Visit our showroom at Heathhall*

£1249.00



Product Description:

The Kensington range features armchairs with deep bases which result in an extra comfortable and supportive seating position. This lends them a great deal of versatility as the added comfort means they're perfect if you just want something to lounge in, as well as being suited to more practical uses such as dining. The chairs are built from a sturdy, lightweight aluminium frame which makes moving them easier. A substantial rattan weave means they both look great and are extremely durable against wear and tear and the effects of weathering. Comes with cushions included

Set Includes:

6 x Armchairs with 5cm deep cushion cushions

1 x 1.35m Round Dining Table

1 x 3m Round Polished Aluminium Parasol with Crank

1 x 20 Kilo Concrete Parasol Base

Product Features:

All weather Flat 7mm rattan weave

Comes with machine washable cushions with Zips

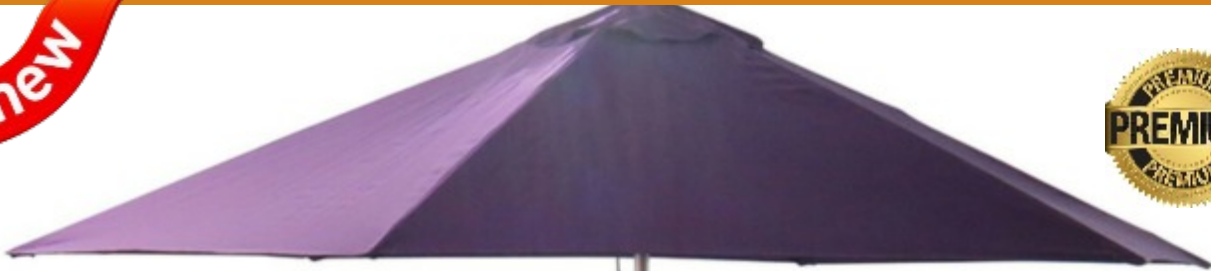
Table includes a parasol hole with Aluminium centre ring

5mm Glass table top



KENSINGTON 8 SEAT ROUND 1.8 M SET

new



Dove Grey
Weave



Plum
Cushions

**Style and colour may vary from images.
Visit our showroom at Heathhall*

£1599.00



Product Description:

The Kensington range features armchairs with deep bases which result in an extra comfortable and supportive seating position. This lends them a great deal of versatility as the added comfort means they're perfect if you just want something to lounge in, as well as being suited to more practical uses such as dining. The chairs are built from a sturdy, lightweight aluminium frame which makes moving them easier. A substantial rattan weave means they both look great and are extremely durable against wear and tear and the effects of weathering. Comes with cushions included

Set Includes:

8 x Armchairs with 5cm deep cushion cushions

1 x 1.8m Round Dining Table

1 x 3m Round Polished Aluminium Parasol with Crank

1 x 20 Kilo Concrete Parasol Base

Product Features:

All weather Flat 7mm rattan weave

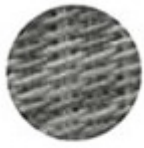
Comes with machine washable cushions with Zips

Table includes a parasol hole with Aluminium centre ring

5mm Glass table top



BALMORAL 6 SEAT ROUND SET



Dove Grey Weave



Plum Cushions

£699.00

**Style and colour may vary from images.
Visit our showroom at Heathhall*



Product Description:

The Balmoral range features armchairs with deep bases which result in an extra comfortable and supportive seating position. This lends them a great deal of versatility as the added comfort means they're perfect if you just want something to lounge in, as well as being suited to more practical uses such as dining. The chairs are built from a sturdy, lightweight aluminium frame which makes moving them easier. A substantial rattan weave means they both look great and are extremely durable against wear and tear and the effects of weathering. Comes with

Set Includes:

6 x Armchairs with 5cm deep cushion cushions

1 x 1.35 m Round Dining Table

1 x 3m Round Polished Aluminium Parasol with Crank

1 x 20 Kilo Concrete Parasol Base

Product Features:

All weather Flat 7mm rattan weave

Comes with machine washable cushions with Zips

Table includes a parasol hole with Aluminium centre ring

5mm Glass table top

Non rust aluminium frame

Stainless steel features

Armchairs 5mm Tempered Glass, U.V Tested, Aluminium Frame



BALMORAL 6 SEAT RECTANGULAR 1.5M TABLE

new



**Style and colour may vary from images.
Visit our showroom at Heathhall*

£999.00



Natural Weave



Taupe Cushions

Product Description:

The Balmoral range features armchairs with deep bases which result in an extra comfortable and supportive seating position. This lends them a great deal of versatility as the added comfort means they're perfect if you just want something to lounge in, as well as being suited to more practical uses such as dining. The chairs are built from a sturdy, lightweight aluminium frame which makes moving them easier. A substantial rattan weave means they both look great and are extremely durable against wear and tear and the effects of weathering. Comes with

Set Includes:

- 6 x Armchairs with 5cm deep cushion cushions
- 1 x 150 x 90cm Rectangular Dining Table
- 1 x 3x2m Rectangular Polished Aluminium Parasol with Crank
- 1 x 20 Kilo Concrete Parasol Base

Product Features:

- All weather Flat 7mm rattan weave
- Comes with machine washable cushions with Zips
- Table includes a parasol hole with Aluminium centre ring
- 5mm Glass table top
- Non rust aluminium frame
- Stainless steel features
- Armchairs 5mm Tempered Glass, U.V Tested, Aluminium Frame



BALMORAL 8 SEAT 1.8m ROUND TABLE



Dove Grey Weave



Pepper Grey Cushions

£1299.00

**Style and colour may vary from images. Visit our showroom at Heathhall*

Product Description:

The Balmoral range features armchairs with deep bases which result in an extra comfortable and supportive seating position. This lends them a great deal of versatility as the added comfort means they're perfect if you just want something to lounge in, as well as being suited to more practical uses such as dining. The chairs are built from a sturdy, lightweight aluminium frame which makes moving them easier. A substantial rattan weave means they both look great and are extremely durable against wear and tear and the effects of weathering. Comes with

Set Includes:

- 8 x Armchairs with 5cm deep cushion cushions
- 1 x 1.8 m Round Dining Table
- 1 x 3m Round Polished Aluminium Parasol with Crank
- 1 x 20 Kilo Concrete Parasol Base

Product Features:

- All weather Flat 7mm rattan weave
- Comes with machine washable cushions with Zips
- Table includes a parasol hole with Aluminium centre ring
- 5mm Glass table top
- Non rust aluminium frame
- Stainless steel features
- Armchairs 5mm Tempered Glass, U.V Tested, Aluminium Frame





SANDRINGHAM 4 SEATER SET 1M ROUND TABLE



Natural Weave



Taupe Cushions

**Style and colour may vary from images. Visit our showroom at Heathhall*

£599.00



Product Description:

The Sandringham range features armchairs with deep bases which result in an extra comfortable and supportive seating position. This lends them a great deal of versatility as the added comfort means they're perfect if you just want something to lounge in, as well as being suited to more practical uses such as dining. The chairs are built from a sturdy, lightweight aluminium frame which makes moving them easier. A substantial rattan weave means they both look great and are extremely durable against wear and tear and the effects of weathering. Comes with cushions included.

Set Includes:

84 x Armchairs with 5cm deep cushion cushions

1 x 1 m Round Dining Table

1 x 2.5m Round Polished Aluminium Parasol with Crank

1 x 15 Kilo Concrete Parasol Base

Product Features:

All weather Flat 7mm rattan weave

Comes with machine washable cushions with Zips

Table includes a parasol hole with Aluminium centre ring

5mm Glass table top

Non rust aluminium frame

Stainless steel features

Armchairs 5mm Tempered Glass, U.V Tested, Aluminium Frame

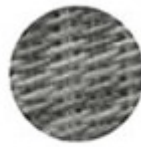


SANDRINGHAM COMPANION SET

new

**Style and colour may vary from images.
Visit our showroom at Heathhall*

£325.00



Dove Grey Weave



Plum Cushions

Product Description:

The range is our Premier Selection featuring Round Weave and Half Round weave used together to form beautiful products. Designed with both style and comfort in mind Seville not only looks good but is very practical. Strong Aluminium frames provide strength with light weight and 6mm Rattan Weave provides good looks and comfort. Like all Katie Blake Furniture Seville comes with a 10 year Manufacturer's guarantee. Our guarantee is reliant on you using a Katie Blake Cover to protect your furniture. The cushions are 100% Polyester using a higher quality of fabric than our other ranges and of course are fully compliant with the Furniture Fire Regulation BS5852. Like all Katie Blake Garden Furniture it can be left outdoors permanently requiring no maintenance except a wash with warm soapy water or a pressure washer. Cushions and Parasols whilst shower resistant must not be left outside permanently otherwise some deterioration will occur.



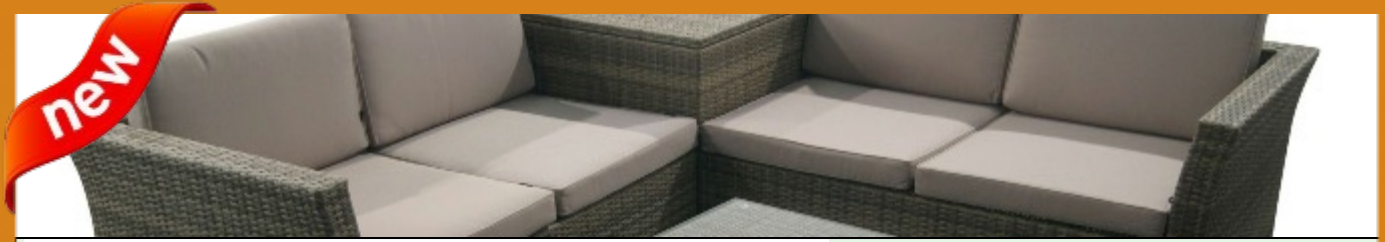
Natural Weave



Taupe Cushions

£325.00

SANDRINGHAM CORNER STORAGE & COFFEE



£999.00



Sandringham Corner unit with Cushion Storage Corner.

NATURAL WEAVE WITH TAUPE CUSHIONS

A standard size Corner set with Coffee Table featuring a handy slide under drawer unit in the table and waterproof corner storage taking all the cushions.
Specifications

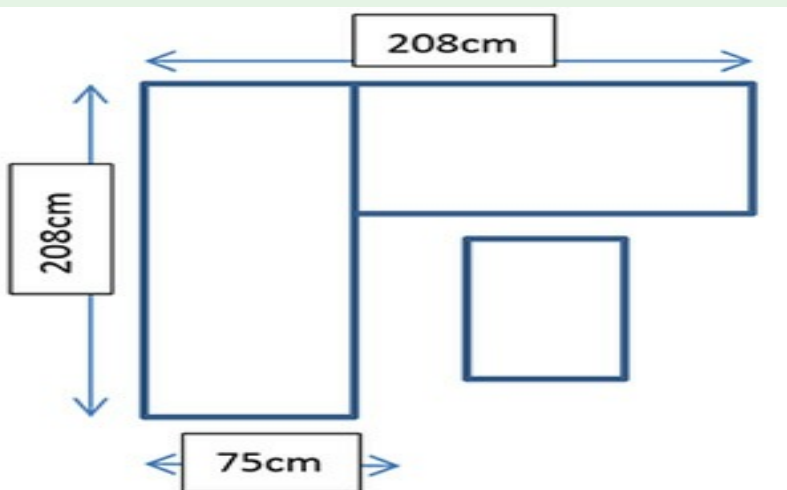
This Corner unit's main feature is the cushion corner storage facility that takes all the cushions.

Using a waterproof zipped inner case and an outside cover for the top the cushions can be stored inside the unit.

Due to dampness we do recommend taking them in over the winter months.

A generous size Coffee table 80 x 80cm with drawer unit is also a nice feature.

There is no assembly required with this set.



SANDRINGHAM 4 SEATER SET 1M ROUND TABLE



Natural Weave



Taupe Cushions

**Style and colour may vary from images.
Visit our showroom at Heathhall*

£599.00



Product Description:

The Sandringham range features armchairs with deep bases which result in an extra comfortable and supportive seating position. This lends them a great deal of versatility as the added comfort means they're perfect if you just want something to lounge in, as well as being suited to more practical uses such as dining. The chairs are built from a sturdy, lightweight aluminium frame which makes moving them easier. A substantial rattan weave means they both look great and are extremely durable against wear and tear and the effects of weathering. Comes with cushions included.

Set Includes:

84 x Armchairs with 5cm deep cushion cushions

1 x 1 m Round Dining Table

1 x 2.5m Round Polished Aluminium Parasol with Crank

1 x 15 Kilo Concrete Parasol Base

Product Features:

All weather Flat 7mm rattan weave

Comes with machine washable cushions with Zips

Table includes a parasol hole with Aluminium centre ring

5mm Glass table top

Non rust aluminium frame

Stainless steel features

Armchairs 5mm Tempered Glass, U.V Tested, Aluminium Frame





ALEXANDER ROSE

PORIFINO 4 SEATER ROUND SET



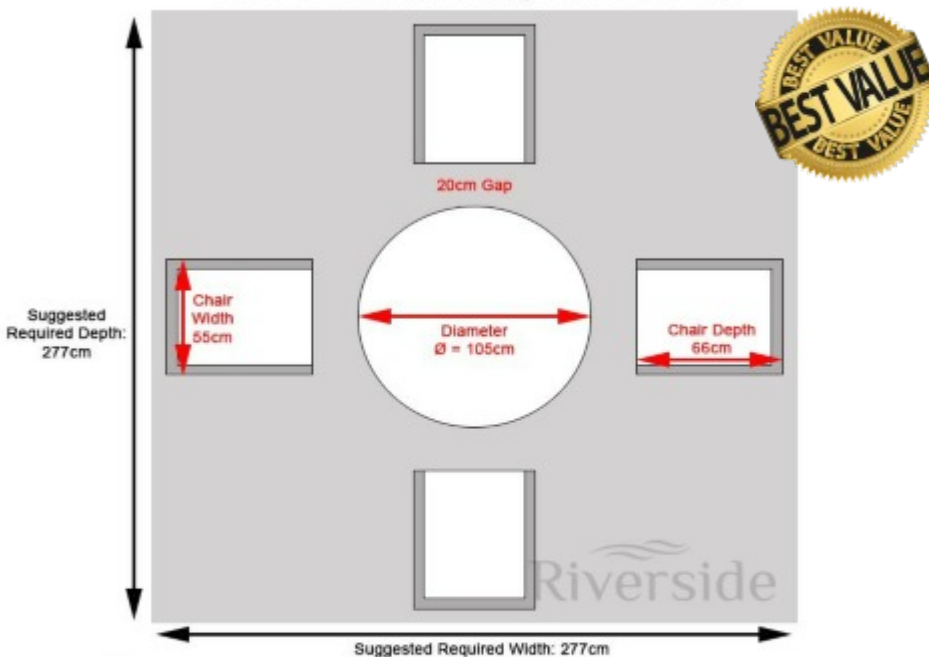
Portofino Collection

Modern design
 Mild steel construction
 Smooth metallic finish
 Mesh top
 4.5cm Parasol hole
 2.4m Parasol with tilt
 12kg Parasol base
 Lightweight
 Polyester cushions
 5 year warranty

SET PRICE



SUGGESTED AREA REQUIRED FOR SET



Set Comprises:

- 4 x Stacking Armchairs (7952)
- 1 x Round Table 1.05M (7957)
- 4 x Seat Pads (7951C)
- 1 x Aluminium Parasol With Tilt 2.4M \varnothing (7959)



Portofino 4 Seater Set
With 1.05m Round Table

7957SET





ALEXANDER ROSE



PORIFINO 6 SEATER RECTANGULAR SET



£699.00

Portofino Collection

Modern design
 Mild steel construction
 Smooth metallic finish
 Mesh top
 4.5cm Parasol hole
 Lightweight
 Stackable chairs
 Polyester cushions
 2.4m Aluminium parasol
 12kg Parasol base
 5 year warranty

Set Comprises:

- 4 x Sidechairs (7951)
- 2 x Armchairs (7952)
- 1 x Rectangular Table
1.45M x 0.9M (7958)
- 6 x Seat Pads (7951C)
- 1 x Aluminium Parasol
With Tilt 2.4MØ (7959)
- 1 x Parasol Base 12KG
(7960)

PORIFINO MODERN BISTRO SET



£225.00



Portofino Collection

Modern design
 Mild steel construction
 Smooth metallic finish
 Mesh top
 Lightweight
 Polyester cushions
 Suitable for indoor and
 outdoor use
 5 year warranty

Set Comprises:

- 2 x Sidechairs (7951)
- 2 x Seat Pads (7951C)
- 1 x Round Bistro Table (7953)

PORIFINO GARDEN BENCH



new



£159.00

Portofino Bench Cushion Charcoal Stripe

The Robust Portofino collection is as well suited to modern home settings as it is to bustling city Bistros.

Resolutely practical and easy to maintain, the Portofino's timeless minimalism and simplicity of design blend comfortably into surroundings.

Sku Code: 7956CHST

Weight 9.00 kg

Dimensions 110.00 × 87.00 cm



ALEXANDER ROSE

CORNIS BROADFIELD BENCH 4' & 5'



Cornis Broadfield Bench 4ft & 5ft Our Large selection of Cornis furniture gives you the ability to create a fantastic outdoor lifestyle. The dense and almost knot-free straight grain of Cornis comes with an oiled finish giving a smooth lustre. Sit back,

4ft BENCH

5 ft BENCH

£179.00

£199.00



CORNIS TURNBERRY BENCH 5'



£285.00

Cornis Turnberry Bench 5ft Our Large selection of Cornis furniture gives you the ability to create a fantastic outdoor lifestyle. The dense and almost knot-free straight grain of Cornis comes with an oiled finish giving a smooth lustre. Sit back, relax and enjoy!



ALEXANDER ROSE



CORNIS ST GEORGE 4' HARDWOOD BENCH



Our Large selection of Cornis furniture gives you the ability to create a fantastic outdoor lifestyle. The dense and almost knot-free straight grain of Cornis comes with an oiled finish giving a smooth lustre. Sit back, relax and enjoy!

£239.00



CORNIS LUTYENS 6' HARDWOOD BENCH



£349.00

Our Large selection of Cornis furniture gives you the ability to create a fantastic outdoor lifestyle. The dense and almost knot-free straight grain of Cornis comes with an oiled finish giving a smooth lustre. Sit back, relax and enjoy!





ALEXANDER ROSE



CORNIS ST GEORGE 5 FT HARDWOOD BENCH



Our Large selection of Cornis furniture gives you the ability to create a fantastic outdoor lifestyle. The dense and almost knot-free straight grain of Cornis comes with an oiled finish giving a smooth lustre. Sit back, relax and enjoy!

£259.00



ACACIA LAKESIDE BENCH 5 FT



£129.99

The Alexander Rose acacia lakeside bench is the ultimate blend of style and affordability. This product is sold as a Flat Pack Item (Self Assembly required)

Seats up to 3 people Material: hardwoodProduct

Dimensions: Height 90cm x Width 158cm x Depth 60cm



ALEXANDER ROSE



ACACIA 5 FT SERPENTINE BENCH.



£129.00

The Premium Acacia 5ft Serpentine Bench by Alexander Rose has a unique design.

Comfortably seating 3 people, this elegant bench with curved back and shaped arms is sure to make a statement in your outside space.

ACACIA LAKESIDE BENCH 4 FT



£99.00

The Alexander Rose acacia lakeside bench is the ultimate blend of style and affordability. This product is sold as a Flat Pack Item (Self Assembly required)

Seats up to 2 people Material: hardwood Product

Dimensions: Height 90cm x Width 128cm x Depth 60cm

ACACIA BRACKET BENCH 4FT.



This 4ft Premium Acacia Bracket Garden Bench by Alexander Rose is a classic design that is practical as well as stylish.

Featuring an attractive slatted design on the back and seat, this bench is comfortable and will fit into almost any setting.

BRUNDLE 2 SEAT ACACIA BENCH



Material: Acacia

Horizontal Slatted Design

Assembly Required

(H) 86.5cm x (W) 128cm x (D) 60.5cm

HORSE BENCH (STEEL)

new
cast iron

Gardeco

£199.99



DIMENSIONS:

Size: 127cm W x 48.5cm D x 86.5cm H

Steel framed bench

High ductile cast iron

Running horses motive on back



UNICORN BENCH (CAST IRON)



DIMENSIONS:

Size: 127cm W x 48.5cm D x 86.5cm H

Steel framed bench

High ductile cast iron

Unicorn motive on back



MAJESTIC TREE BENCH (CAST IRON 100%)



DIMENSIONS:

Size: 127cm W x 48.5cm D x 86.5cm H

Steel framed bench

High ductile cast iron

Majestic Tree motive on back



HETTON BENCH LARGE TRADITIONAL STAINED



DIMENSIONS :

153cm w x 71cm d x 96cm h

This stylish bench is beautifully crafted and designed to be both comfortable and hardwearing. Features a curved seat for comfort and wide, curved arms. Aesthetically designed with a bowed back.

£124.99

HETTON BENCH SMALL TRADITIONAL STAINED



DIMENSIONS :

123cm w x 71cm d x 96cm h

This stylish bench is beautifully crafted and designed to be both comfortable and hardwearing. Features a curved seat for comfort and wide, curved arms. Aesthetically designed with a bowed back.

£99.99

HETTON COFFEE TABLE TRADITIONAL STAINED



DIMENSIONS :

90cm w x 40cm d x 47cm h

A versatile garden table. Rounded edges give a more stylish appearance. Perfect for outdoor drinks and snacks.

£29.99

HETTON COMPANION SEAT TRADITIONAL STAIN



DIMENSIONS :

53cm w x 71cm d x 96cm h

Elegantly handcrafted, this seat adds a touch of elegance to any outdoor setting

Features comfortably curved seats, table section and extra wide arms

Manufactured from Swedish redwood and finished in our warm stain

£199.99



HETTON OCCASIONAL TABLE TRADITIONAL STAIN



DIMENSIONS :

50cm w x 30cm d x 40cm h

A hardwearing, practical table which can also be used as a stool

Rounded edges give a softer finish

Ideal with any of the Hetton range of garden furniture

£24.99

HETTON ROCKING BENCH TRADITIONAL STAIN



DIMENSIONS :

123cm w x 85cm d x 95cm h

The perfect rocking bench for a lazy afternoon

Design features include wide practical arms and a curved seat for comfort

Rustic and robust, the perfect bench for any garden or patio

£124.99



HETTON ROCKING CHAIR TRADITIONAL STAIN



DIMENSIONS :
69cm w x 85cm d x 95cm h

A lovely, rustic garden chair with rounded rockers for a softer appearance
Seat section is curved for comfort with wide curved arms and a bowed back. solid piece of furniture.

Designed to look great in any setting.

£89.99

HETTON ROCKING RELAXER SEAT



DIMENSIONS :
69cm w x 70cm d x 110cm h

A stunning rocking chair with attractive rounded fan back
Details include rounded back section, wider curved arm rests and a curved seat for comfort

The perfect relaxing chair for any garden

£99.99

HETTON RELAXER CHAIR TRADITIONAL STAIN



DIMENSIONS :
69cm w x 70cm d x 110cm h

A stunning chair with attractive rounded fan back
Details include rounded back section, wider curved arm rests and a curved seat for comfort
The perfect relaxing chair for any garden

£89.99

MASHAM COMPANION BENCH NATURES RANGE



Chair 79cm w x 65cm d x 100cm h

Table 120cm dia x 58cm h

Comprises of two chairs and a round coffee table

The curved seat and sloping back are designed for added comfort

The curved lines will add an elegance to any garden or patio

£224.99

MASHAM BENCH NATURES RANGE



£149.99

Product Specifications :Width 150cm Depth 65cm

This beautiful natural looking bench from Tom Chamber's Masham range brings a more relaxed look to your garden furniture. Featuring a sloped back rest, curved seating area and wide arm rests it is perfect for relaxing on a hot summers afternoon. The wood is FSC certified from Scandinavian Forests and Built in the UK



MASHAM ROCKING CHAIR NATURES RANGE



From the Natures Range, this handcrafted Hetton Rocking Chair is robust, and designed for both comfort and good looks. Crafted from durable Swedish Redwood in the UK from FSC certified sustainable timber, the seat section is curved for comfort with wide curved arms and a bowed back section. Finished in a natural stain.

Tom Chambers are proud to be a British Manufacturer, and all products are hand made from Scandinavian timber and treated for long life.

£109.99

Dimensions

Width 69cm

Depth 85cm

Height 95cm



MASHAM ROCKING BENCH NATURES RANGE



From the Natures Range, this handcrafted Hetton Rocking Bench is just as appealing as it is comfortable. Crafted from durable Swedish Redwood in the UK from FSC certified sustainable timber, it is versatile, strong and hard-wearing. Bullnose, rounded rockers add detail to the rustic appearance. Finished in a natural stain. Tom Chambers are proud to be a British Manufacturer, and all products are hand made from Scandinavian timber and treated for long life.



Dimensions

Width 123cm

Depth 85cm

Height 95cm

£149.99



MIDDLEHAM GARDEN ARCH



From the Natures Range, this handcrafted Middleham Garden Arch is robust, and crafted from Swedish Redwood in .Finished in a natural stain.

Tom Chambers are proud to be a British Manufacturer, and all products are hand made from Scandinavian timber and treated for long life.

Dimensions

Width 119cm

Depth 40cm

Height 190cm



£49.99



AYSGARTH GARDEN BENCH



From the Natures Range, this handcrafted Aysgarth Garden Bench is just as appealing as it is comfortable .Crafted from durable Swedish Redwood in the UK from FSC certified sustainable timber, it is versatile, strong and hard-wearing. Bullnose, rounded rockers add detail to the rustic appearance .Finished in a natural stain.Tom Chambers are proud to be a British Manufacturer, and all products are hand made from Scandinavian timber and treated for long life.



Dimensions

Width 120cm

Depth 40cm

Height 90cm

£89.99



**Suppliers to the
Garden Trade Industry**
a fresh approach to leisure

Zest 4 Leisure is part of a family-run company with many years experience in the garden leisure industry.



Pressure Treated
Made with quality pressure treated timber



Pressure Treated & Guaranteed
Made with quality pressure treated timber & backed by a 10 Year Guarantee Against Rot



Dip Treated
Timber has been dipped rather than pressure treated



Home Delivery
Products are available for delivery to a home address



Flat Packed
Products are supplied flat packed with assembly instructions



Made in Britain
Products with this symbol have been manufactured in Britain

ZEST MIAMI SWING SEAT



£299.99

The Miami Garden Swing is constructed from FSC sourced pressure treated timber for continued sustainability. The Swing Seat features thick 70mm x 70mm legs with a large 70mm x 70mm Top Beam for extra strength.

Dimensions 1890 mm H X 1620 mm W x 1800 mm D.

Seat Dimensions 1520 mm X 480mm





HAMPSHIRE ARBOUR WITH STORAGE BOX



The Hampshire Arbour is constructed from FSC sourced pressure treated timber for continued sustainability.

The Hampshire Arbour has tongue and groove paneling for extra durability

Dimensions:

2060 mm H 970 mm W 630 mm D.



CHELTENHAM ARBOUR WITH STORAGE



£259.99

The shape of this Cheltenham arbour forms elegant lines, making for a fantastic centre-piece in your garden that is also practical because it has comfortable bench seat and useful storage box.

The sturdy nature of this arbour means that you can enjoy it, and your garden, come rain or shine. It is made by Zest and uses pressure treated timber from managed forests and come with a 10 year guarantee.

Cheltenham Arbour Dimensions:

Width: 1.44m

Depth: 0.66m

Height: 2.23m

Posts: 70mm x 45mm Facia: 22mm

bowed fascia Seating: 70mm x 35mm

Roof: 10mm cfinish board Back

Panel: 10mm shiplap Seat Size: 1.20m

x 0.35m Box Size: 1.20m x 0.45m



DORSET ARBOUR WITH STORAGE BOX



The best selling Zest Dorset Arbour will be a comfortable and practical addition to anyone's garden. Use it to enjoy a book or chat with a friend over drinks, the arbour has a roof panel to protect you whatever the weather. There's also a storage box under the seat where many different items can be tidied away out of view. Like all Zest products it is manufactured from high-quality FSC timber, this has been pressure treated against rot and carries a 10-year guarantee. Since its introduction, The Dorset Arbour has proved to be a runaway success. The combination of an arbour, bench seat and garden storage for such a competitive price has proved unbeatable. The customer is always right, and this is certainly the case with the Dorset Storage Arbour

Dorset Arbour Features: Handy Storage Box Under the Seat Suitable For All Weather Perfect Garden Accessory
 Small Diamond Trellis Back & Sides Slatted Curved Roo includes Storage Box Underneath Seat
 Pressure Treated Timber 10-year Anti-Rot Guarantee FSC Certified Material

Arbour Dimensions Height: 200cm (6ft 7ins) Width: 157cm (5ft 2ins) Depth: 67cm (2ft 2ins)





EMILY GARDEN BENCH 5FT 3 SEAT



Emily 5ft Garden Bench

Dimensions:

Width: 1.53m (5ft 0ins)
Depth: 0.65m (2ft 2ins)
Height: 0.96m (3ft 2ins)
Seat Slats: 55mm x 20mm (2ins x ¾in)
Frame: 70mm x 70mm (2¾ins x 2¾ins)

£224.99



EMILY GARDEN BENCH 4FT 2 SEAT



Emily 4ft Garden Bench

Dimensions:

Width: 1.23m (4ft 0ins)
Depth: 0.65m (2ft 2ins)
Height: 0.96m (3ft 2ins)
Seat Slats: 55mm x 20mm (2ins x ¾in)
Frame: 70mm x 70mm (2¾ins x 2¾ins)

£119.99



LILY RELAX GARDEN SEAT



The Lily Relax Wooden chair is constructed from FSC sourced pressure treated timber for continued sustainability.

The Zest 4 Leisure Lily Relax Seat uses 30mm timber construction for durability.

Dimensions

720mm W x 920mm D x 920mm H.

£99.99



**FSC
FORESTS
FOR ALL
FOREVER**

LILY RELAX DOUBLE GARDEN SEAT



Made from high quality, pressure treated timber

FSC certified timber from managed resources

Two 0.72m (2ft 4in) wide chairs joined by a table and shelf

Low seat and angled back

Compatible with Lily Relax

Footstool

10 Year Anti-rot Warranty

DIMENSIONS:

L 1.75m x W 0.92m x H 0.92m

Frame: 30mm thick

Seat: 18mm thick



NORFOLK ARBOUR WITH STORAGE



The Norfolk Arbour is a beautifully designed product, perfect for those who enjoy sitting in the sun with some shelter. This elegant arbour with the trellis panels is an ideal spot to relax and unwind at the end of a busy day. Along with its beauty it also provides practicality as it comes complete with an under seat storage box and lid.

Dimensions

- Seating 70 x 35mm
- Posts 70 x 45mm
- Storage 120 x 54cm
- Roof 90 x 14mm
- Fascia 30mm
- Seat Size 120 x 35cm
- Overall Height 148 x 67 x 226cm



£234.99



THE BROXTON GAZEBO



A convenient shelter for an afternoon in the garden. This wooden gazebo has many uses, including providing protection and shelter whilst barbecuing.

Made from durable pressure treated timber sourced from sustainable forests.

Pressure Treated and Guaranteed

Made with quality pressure treated timber and backed by the 10 year guarantee against rot. Pressure treated products should not have any treatments applied in the first 6 months after purchase to allow it to dry naturally as a further treatment may cause the wood to warp or split. The green spotting you may see on the surface of the product is caused by salt leaving the timber during the pressure treatment process. It will fade over time and will not affect the durability of the product.

Natural Timber

Timber is a natural product so splits and cracks will appear, this is due to changes in the temperature and humidity causing the timber to expand and contract. This is expected and is not a cause for concern, it will not affect the strength and durability of the product.

Dimensions

- Roof Slats** 85 x 16mm
- Overall Size** 220 x 220 x 249cm
- Side Panel Frame** 35 x 30mm
- Posts** 68 x 68mm
- Side Panels Slats** 65 x 12mm

THE KNUTSFORD PAVILION



The Knutsford Pavilion is the ideal size for entertaining guests outdoors as it can comfortably fit a barbecue, dining set, or even a hot tub. Its sturdy roof provides the perfect protection against the elements. Complete with side panels, The Knutsford Pavilion provides shelter for a large party of guests. **Sizes (W x D x H) 3.32m x 3.32m x 2.53m**

THE ABBEY COMPANION SEAT



Made from high quality, pressure treated timber 2 X 0.68m (2ft 3in) wide chairs joined by a table or shelf
Traditional slatted seats with Horizontally slatted back with rounded ends and 10 Year Anti-rot Warranty

Sizes (W x D x H) 1.75m x 0.89m x 0.93m

THE NOAHS GARDEN ARBOUR



Features and Benefits:

- Traditional styled wooden arbour shelter
- Comfortably seats 6 people
- Featuring 2 benches and table, apex roof and floor
- Trellis paneling allows for a cool breeze to pass through
- Made from quality FSC® certified mixed Softwood
- The timber has been responsibly sourced from well managed forests
- Pressure treated to prolong the life of your product
- Wood can be painted adding interest and colour to the garden

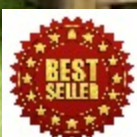
Specification:

- Height: 237cm Width: 216cm Depth: 182cm
- Seat size: 153cm x 35cm
- Table top size: 153cm x 70cm

THE LINCOLN GARDEN ARBOUR



new



£219.99



Lincoln Arbour with Storage Box

The Lincoln Arbour with storage box is a stunning decorative piece which brings a flare of sophistication and elegance to any lawn or patio area. It can comfortably sit two people and includes a practical under seat storage box. Designed with a curved roof and diamond trellis panels it's perfect for those who enjoy relaxing in the sun with a little shelter.

Sizes (W x D x H)
1.56m x 0.67m x 1.99m
1.20m x 0.37m
1.20m x 0.37m





CHRISTINA SET INCL. CUSHIONS



£849.99

The Full Christina Set contains:

- 2 x Benches (Available either separately or within the full set)
- 2 x Single Seats (Only available as part of the full Christina Set)
- 1 x Coffee Table (Only available as part of the full Christina Set)
- 1 x Side Table (Only available as part of the full Christina Set)

Sizes (W x D x H)

- BENCH 1.29m x 0.80m x 0.94m
- SINGLE SEAT 0.73m x 0.75m x 0.94m
- COFFEE TABLE 0.67m x 1.12m x 0.59m
- SIDE TABLE 0.67m x 0.67m x 0.59m

ARBOUR SEATING CUSHIONS GREEN & STONE



£29.99

These cushion accessories are specially made for Arbours by Zest 4 Leisure. Available in either green or stone, both are splash resistant with removable covers for easy cleaning. A polyester cushion cover, filled with a fibre seat pad. Cover and filling are fire retardant for added safety.

Cushion Features:

- Available in Two Colours: Green or Stone
- Splash Resistant Polyester
- Fire Retardant
- Removeable Cover for Easy Cleaning

THE LARGE HORIZON GARDEN ARCH



An eye-catching product, the Horizon Arch adds height and interest in any garden. Featuring a pergola style roof and side diamond trellis panels, this garden arch is an attractive feature to your garden. Sturdy construction, the Horizon Arch is manufactured from high quality pressure treated timber and comes with 10 years guarantee against rot.

Sizes (W x D x H)
1.8m x 1.3m x 2.2m



THE MILLIE BENCH



The Millie Bench is a practical and convenient bench. A simple yet sturdy design, the bench has a modern look with simple lines.

THE CAROLINE 3 SEATER GARDEN BENCH



Strong and sturdy, the Caroline 5 foot Bench features FSC timber from sustainable forests in a stylish and traditional design that is well worth the investment for its durability alone. It is easily assembled and has been pressure treated to protect against rot, which means that it will keep its look and quality for years to come.

ACQ pressure treated
10 year anti-rot guarantee
Easy 2 person assembly

Overall Dimensions:
W170 x D50 x H80cm

THE CAROLINE 2 SEATER GARDEN BENCH



Strong and sturdy, the Caroline 4 foot Bench features FSC timber from sustainable forests in a stylish and traditional design that is well worth the investment for its durability alone. It is easily assembled and has been pressure treated to protect against rot, which means that it will keep its look and quality for years to come.

ACQ pressure treated
10 year anti-rot guarantee

Overall Dimensions:
W120 x D50 x H80cm



THE COLORADO SWING ARBOUR



Zest is proud to launch the new Colorado Arbour Swing which provides both a sheltered seating area and a focal point for the garden.

With lattice panels and seating for two people, the Colorado Arbour Swing is an attractive and practical addition to any outdoor space.



THE RUTLAND GARDEN ARBOUR



The Rutland Arbour is designed to be used particularly during the Spring, Summer and Autumn months due to the sides and back diamond trellis. A beautiful design matched with comfort combine to create the perfect accessory for any garden.

Sizes (W x D x H)

1.568m x 0.670m x 1.995m



new

APPLETON 1.3M & 1.8M PICNIC BENCH

Tables & Benches

Make the most of your outdoor space with our range of garden furniture including tables and benches, perfect for those summer BBQs and dining al fresco with family and friends.

£215.00



1.8m picnic bench



9371001

APPLETON 1.8 M



W: 1800mm D: 1560mm H: 695mm

APPLETON 1.3 M



W: 1395mm D: 1560mm H: 695mm



£129.00

WILLOUGHBY GAZEBO OPEN & FURNITURE

Gazebos & Shelters

Glorious weather can never be guaranteed during the Great British summer, but with our range of gazebos and shelters you'll never need to worry about the rain when entertaining friends and family outdoors.

Please ask one of our sales advisors about assembly option.



£1499.99

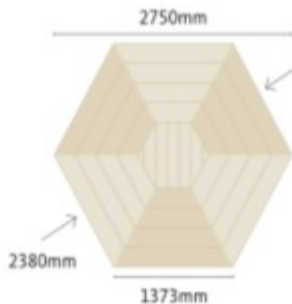
9371046

SANDRINGHAM IS NOW CALLED A WILLOUGHBY GAZEBO

Gazebo
Open Side with Table
& 5 Benches



W: 2750mm D: 2380mm H: 3055mm



Floor plan applicable
to all Sandringham
Gazebos

WILLOUGHBY GAZEBO RANGE (SANDRINGHAM)



£1199.99

9371045

Gazebo Open Side



W: 2750mm D: 2380mm H: 3055mm



£1399.99

9371047

Gazebo

Solid Side



W: 2750mm D: 2380mm H: 3055mm



£1699.99

9371048

Gazebo

**Solid Side with Table
& 5 Benches**



W: 2750mm D: 2380mm H: 3055mm

TAVISTOCK GARDEN ARBOUR & STORAGE

ARBOURS

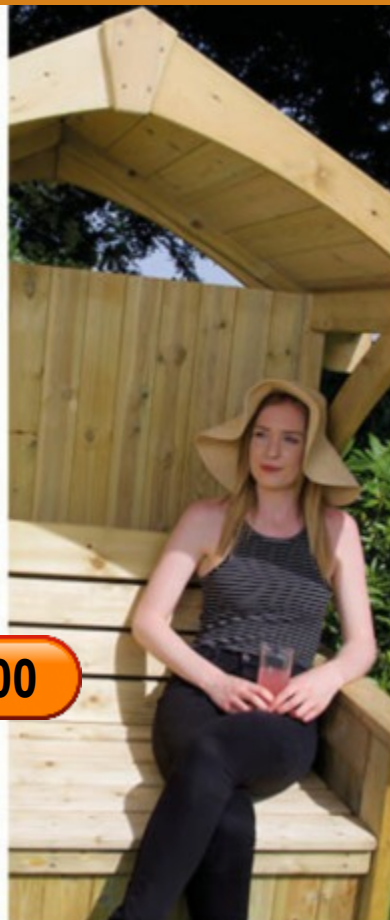
SOLD OUT!

Space for storage

9371025
Tavistock Arbour

W: 1640mm D: 800mm H: 1830mm

£399.00



Depth 800mm
Height 1830mm
Width 1640mm

This stunning Arbour is a garden feature in its own right. Perfect for watching the world go by in comfort and style. With its feature roof, it will also keep users dry in the unpredictable UK climate.

Manufactured with high quality timber sourced from sustainable and renewable sources it makes a beautiful addition to any home.



HAMPTON LARGE CORNER ARBOUR

9371043

Large Corner Arbour

W: 2100mm D: 2100mm H: 2000mm

£379.99



This stunning corner arbour is perfect to create an outdoor seating area in any garden or public space. Suitable for seating four adults easily with added table for practicality. The product is created using sturdy timber products sourced from renewable sources in northern Europe. It boasts trellises to train plants to grow up and around the seating to add an extra garden effect.

APPLETON 2 SEATER GARDEN BENCH



£299.99

Suitable for a garden or any other outdoor public space, this classic bench is stunningly visual and practical. It can easily sit two adults and provides the perfect sitting area. Manufactured using heavy duty timber and has been pressure treated to extend the life expectancy for up to ten years.

Made in the UK

Pressure Treated

Self-Assembly.

Dimensions

1335 x 700 x 900 mm



APPLETON 3 SEATER GARDEN BENCH



£359.99



Suitable for a garden or any other outdoor public space, this classic bench is stunningly visual and practical. It can easily sit two adults and provides the perfect sitting area.

Manufactured using heavy duty timber and has been pressure treated to extend the life expectancy for up to ten years.

Made in the UK

Pressure Treated

Self-Assembly.

Dimensions

1590 x 700 x 900 mm



EMSWORTH DINING SET & 2 BENCH SET



£499.99

A visually pleasing, robust and durable bench set that is capable of sitting six adults easily and is a popular outdoor furniture choice.

The product has also been pressure treated to extend the life expectancy for over ten years.

Table W: 1800mm x 710mm x 720mm

Bench W: 1600mm x 355mm x 440mm

Made in the UK

Pressure Treated

Self-Assembly



APPLETON ROUND PICNIC TABLE



£369.00



This round picnic bench offers a stylish seating option for up to eight adults. It comes with easy to follow self-assembly instructions for stress-free home projects. The timber comes from sustainable and renewable forests in northern Europe and all fixings are Zinc plated to prevent corrosion making it both environmentally pleasing and great value for money.

Made in the UK

Pressure Treated

Self-Assembly

Dimensions

1950 x 1950 x 695 mm



THORNTON RUSTIC BENCH 4 FT & 5 FT



£149.99

9390000

4ft Rustic Bench



W: 1280mm D: 730mm H: 860mm



£169.99

9390001

5ft Rustic Bench



W: 1610mm D: 730mm H: 860mm



THORNTON RUSTIC ALCOVE SET

A gorgeous rustic seat suitable for two people to sit and enjoy the garden, with adjoining table perfect for resting food, drinks and books.

Made in Britain using heavy duty timber from sustainable and renewable sources.



9390002

Rustic Alcove Seat



W: 1830mm

D: 850mm

H: 860mm



£199.99

HAMPTON 4FT & 5FT GARDEN BENCHES

new

Benches & Seating

Our range of garden benches is available in a variety of styles and sizes, ideal for entertaining guests or simply relaxing in the sun after a hard day's work.



5ft Option Available

£114.99

£129.99

9371022

: 9371023

4ft Bench

5ft Bench



W: 1225mm D: 635mm H: 850mm

W: 1495mm D: 635mm H: 850mm



HAMPTON SWING ARBOUR



9371041

Swing Arbour



W: 2110mm D: 1420mm H: 2000mm

£349.99



The Hampton Swing Arbour is perfect for 2 and would make a great addition to any garden, ideal for relaxing at the end of the day.

HAMPTON COMPANION BENCH SET



The Hampton Companion Bench is one of our most popular products, because of its design and layout. Manufactured using quality timber, it seats two adults comfortably.

The adjoined sharable table is perfect for placing drinks, books or other must need items in the garden.

Made in the UK

Pressure Treated

Self-Assembly

Dimensions 1850 x 850 x 880 mm

£199.00



HAMPTON ROOFED GARDEN ARBOUR

ARBOURS



9371039

Roofed Arbour



£299.99

W: 1655mm D: 1055mm H: 1830mm

A beautiful seating area featuring a garden bench with casing and roof. Manufactured with sturdy and heavy duty timber, this product is built to last and is great value for money. Its traditional design, makes it a firm favourite with homeowners, community spaces and hotels.

WESTCOTE LARGE GARDEN ARCH



The Westcote Arch creates a beautiful statement in any landscaped area. It helps to make a stunning walk way when flowers and plants are trained to grow up its side trellises. It is created using timber from northern Europe, from sustainable and renewable forests offering pure elegance to homes in the UK.

£219.99



Width 1710 mm

Depth 1300 mm

Height 2250 mm



EMSWORTH 3 SEATER GARDEN BENCH



9371038

3 Seater Bench

£219.99



W: 1650mm

D: 695mm

H: 870mm

HAMPTON BARBEQUE SHELTER



£329.99

TIVERTON 3 SEATER GARDEN BENCH



£225.00

Devon Tiverton 3 Seater Bench (5Ft)

The Tiverton Bench is manufactured using northern Swedish spruce and is pressure treated to extend the lifespan of the product by up to 10 years - making it great value for money as well as a stylish product for any garden. Hard wearing tanilised pine, which is Pressure Treated for extended life

British made, production in Yorkshire

Highest Quality

Environmentally friendly from sustainable, renewable sources FSC

W1540mm x D700mm x H900mm - 31Kg

APPLETON LARGE DINER SET



The Large Diner is perfect for all gardens and for those who love to spend time outdoors, relaxing, chilling and eating, drinking in the fresh air. This outdoor dining set is the perfect addition to any outdoor spaces, including gardens or patios. It is great for picnics and barbeques, a three course meal of the highest standard. You will enjoy spending time with the family/friends with this rustic looking tanalised pine table and bench set, it comes with back rests for added comfort, requested by demand. The NEW range is manufactured in FSC sourced timber in Yorkshire. Its pressure treated wood gives an expected product life for at least 10 years, it is flat packed for easy home assembly and is a durable quality product.

Manufactured from slow grown pine ensuring strength & durability

FSC Certified – Environmentally friendly from sustainable, renewable sources

Strong robust & easy to build



W: 2670mm | D: 2670mm | H: 860mm

LYON GARDEN ARBOUR



£239.99

FSC Certified
Smooth Planed timber
Pressure treated for
Longer life eliminates
the need for annual
re-treatment.
15 year anti-rot guarantee.

Product Specifications:

- H 200cm
- W 156cm
- D 67cm



PARISIENNE GARDEN ARBOUR



FSC Certified
Smooth Planed timber
Pressure treated for
Longer life eliminates
the need for annual
re-treatment.
15 year anti-rot guarantee.

Product Specifications:

- Height: 212cm
- Width: 153cm
- Depth: 129cm

Distance Between Posts:
129cm

Measurements given are
at the extremities of
the Product

£199.99



RYEFORD GARDEN ARCH



FSC Certified
 Smooth Planed timber
 Pressure treated for
 Longer life eliminates
 the need for annual
 re-treatment.
 10 year anti-rot guarantee.

Product Specifications:

- Height: 2.2m
- Width: 1.34m
- Depth: 0.8m

Posts are:
 70mm x 70mm
 Distance Between Posts is
 0.97m (Approx 3ft 2 ins)
 Trellis Side Panel Gaps:
 210mm x 77mm

£129.99



BERKELEY GARDEN ARCH



FSC Certified
 Smooth Planed timber
 Pressure treated for
 Longer life eliminates
 the need for annual
 re-treatment.
 10 year anti-rot guarantee.

Product Specifications:

-
- Height 213 cm
-
- Width 150 cm
-
- Depth 60 cm

£99.99



CADIZ GARDEN ARBOUR



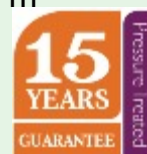
FSC Certified
 Smooth Planed timber
 Pressure treated for
 Longer life eliminates
 the need for annual
 re-treatment.
 15 year anti-rot guarantee.

Product Specifications:

-
- Height: 195cm
- Width: 132cm
- Depth: 60cm

Seat Width 1.17m

£289.99



ULTIMA PERGOLA GARDEN ARCH



FSC Certified
 Smooth Planed timber
 Pressure treated for
 Longer life eliminates
 the need for annual
 re-treatment.
 15 year anti-rot guarantee.

Product Specifications:

- Height: 2.45m
- Max Width: 1.82m
- Depth: 1.36m

Distance between posts
 is 1.28m

Post Size:
 90mm x 90mm

£239.99



SLEEPER GARDEN BENCH 1.2 M & 1.8M



£64.99



£84.99

FSC Certified
Smooth Planed timber
Pressure treated for
Longer life eliminates
the need for annual
re-treatment.
15 year anti-rot guarantee.

- Sleeper Bench 1.2m
- Height: 45cm
- Width: 20cm
- Length: 1.2m
-
- Sleeper Bench 1.8m
- Height: 45cm
- Width: 20cm
- Length: 1.8m



HARVINGTON GARDEN BENCH 4 FT



£219.99

FSC Certified
Smooth Planed timber
Pressure treated for
Longer life eliminates
the need for annual
re-treatment.
15 year anti-rot guarantee.

Product Specifications:

- H 96cm
- W 123cm
- D 68cm



ROUND PICNIC TABLE WITH SEAT BACKS



£499.99

FSC Certified
Smooth Planed timber
Pressure treated for
Longer life eliminates
the need for annual
re-treatment.
15 year anti-rot guarantee.

Seats 8 people

- Traditional design
- Sturdy construction
- Height: 82cm
- Width: 246cm
- Depth: 246cm



HARVINGTON GARDEN BENCH 5 FT



£229.99

FSC Certified
Smooth Planed timber
Pressure treated for
Longer life eliminates
the need for annual
re-treatment.
15 year anti-rot guarantee.

Product Specifications:

- H 96cm
- W 152cm
- D 68cm



INFINITY GARDEN ARBOUR



£289.99

Although inspired by classic Roman architecture, the Infinity Arbour from Forest will add a really contemporary look to your outdoor space. A beautifully designed structure that will look great in any garden. The arbour has a clever design that plays with perspective, drawing the eye to a make a real focal point. Width between posts is 130cm at the front, narrowing to 89cm at the back.

Manufactured from smooth-planed, Pressure Treated timber for a superior build

Inspired by classical Roman architecture, for a contemporary look

The perfect focal point for your garden, room to seat 2 people

Manufactured from FSC certified timber from sustainable sources

Dimensions (cm):

240 x 148 x 61



INFINITY GARDEN ARCH



£219.99

Clever design plays with perspective to offer something different for your garden

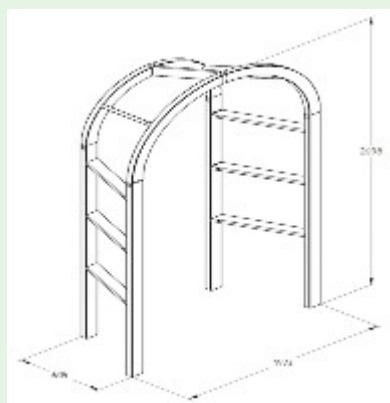
Manufactured from smooth-planed, Pressure Treated timber for a superior build

Inspired by classical Roman architecture, for a contemporary look

Extended leg lengths allow the arch to be sunk into the ground

Manufactured from FSC certified timber from sustainable sources

Dimensions (cm): 270 x 148 x 61



ROSE GARDEN ARCH



£219.99

The traditional Rose Arch from Forest is a beautiful garden structure that features a smooth-planed, round log construction that will effortlessly create a beautiful walk-way in your garden. Why not create a classic country garden and train roses over the structure. The slow grown European softwood used to manufacture this arch has been Pressure Treated to give it a 15 year guarantee against rot and fungal decay. The arch is delivered flat packed with full instructions and fixing kit included for easy assembly.

Thick round log construction

Width between posts is 103cm

Extended leg lengths allow the arch to be sunk into the ground

15 Year Anti-Rot Guarantee

Dimensions (cm):

286 x 168 x 70



FLORENCE GARDEN ARCH



£209.99

This quality garden arch features a high curved rafter top section with rebated trellis side panels.

Planed for a smooth finish

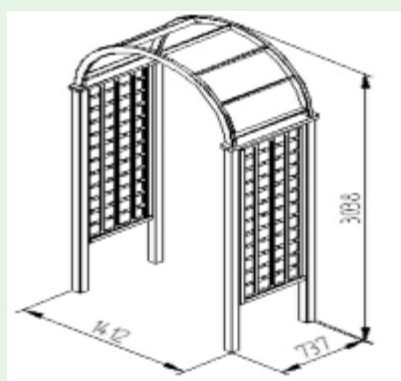
Integral trellis is perfect for climbing plants

Supplied with extra leg length for sinking into the ground

Width between the posts is 128cm

Dimensions (cm):

304 x 146 x 80



3 SERIES ADELAIDE WOODY L

3 SERIES ADELAIDE WOODY L

- Burners: 3 cast iron
- Cooking surface: cast iron, 2,800cm²
- Piezo ignition: safe, match-free lighting
- Coating: easy to maintain, scratch resistant
- Dimensions: 128 x 59 x 114cm
- Weight: 40kg



£300.00

DESCRIPTION	PACK SIZE	DECCO CODE	PRODUCT CODE	BARCODE	SSP (£)
3 Series Adelaide Woody L Barbecue	1	D81088	3000004974	3138522097783	300.00

3 SERIES CLASSIC L BARBECUE

3 SERIES CLASSIC L

- Burners: 3 stainless steel
- Cooking surface: enamelled stamped steel, 2,806cm²
- Even Temp[®]: even heat distribution
- InstaClean[®]: removable parts fit in a dishwasher
- Piezo ignition: safe, match-free lighting
- Dimensions: 96 x 64 x 110cm
- Weight: 44kg



£320.00

DESCRIPTION	PACK SIZE	DECCO CODE	PRODUCT CODE	BARCODE	SSP (£)
3 Series Classic L Barbecue	1	D81089	2000015629	3138522070687	320.00

3 SERIES CLASSIC LS PLUS D

3 SERIES CLASSIC LS PLUS D

- Burners: 3 stainless steel, plus side burner
- Cooking surface: enamelled cast iron, 2,806cm²
- Even Temp®: even heat distribution
- Campinggaz® Culinary Modular cooking accessory compatible
- InstaClean®: removable parts fit in a dishwasher
- Piezo ignition: safe, match-free lighting
- Dimensions: 120 x 64 x 116cm
- Weight: 53kg

£370.00



DESCRIPTION	PACK SIZE	DECCO CODE	PRODUCT CODE	BARCODE	SSP (£)
3 Series Classic LS Plus D Barbecue	1	D81090	2000031359	3138522097752	370.00

4 SERIES CLASSIC LS PLUS D

4 SERIES CLASSIC LS PLUS D

- Burners: 4 stainless steel, plus side burner
- Cooking surface: enamelled cast iron, 3,510cm²
- Even Temp®: even heat distribution
- Campinggaz® Culinary Modular cooking accessory compatible
- InstaClean®: removable parts fit in a dishwasher
- Piezo ignition: Safe, match-free lighting
- Dimensions: 160 x 66 x 147cm
- Weight: 64kg

£440.00



DESCRIPTION	PACK SIZE	DECCO CODE	PRODUCT CODE	BARCODE	SSP (£)
4 Series Classic LS Plus D Barbecue	1	D81091	2000031360	3138522097769	440.00

3 SERIES CLASSIC EXS

3 SERIES CLASSIC EXS

- Burners: 3 stainless steel, plus side burner
- Cooking surface: enamelled cast iron, 2,806cm²
- Even Temp®: even heat distribution
- Campinggaz® Culinary Modular cooking accessory compatible
- InstaClean®: removable parts fit in a dishwasher
- Instastart®: match-free lighting with LED dials
- Body: fully enclosed
- Dimensions: 120 x 64 x 116cm
- Weight: 56kg



£440.00

DESCRIPTION	PACK SIZE	DECCO CODE	PRODUCT CODE	BARCODE	SSP (£)
3 Series Classic EXS Barbecue	1	D81092	2000026024	3138522088873	440.00

4 SERIES CLASSIC EXS

4 SERIES CLASSIC EXS

- Burners: 4 stainless steel, plus side burner
- Cooking surface: enamelled cast iron, 3,510cm²
- Even Temp®: even heat distribution
- Campinggaz® Culinary Modular cooking accessory compatible
- InstaClean®: removable parts fit in a dishwasher
- Instastart®: match-free lighting with LED dials
- Body: fully enclosed
- Dimensions: 136 x 60 x 116cm
- Weight: 64kg



£500.00

DESCRIPTION	PACK SIZE	DECCO CODE	PRODUCT CODE	BARCODE	SSP (£)
4 Series Classic EXS Barbecue	1	D81093	2000026020	3138522088835	500.00

MASTER SERIES 3 LS

MASTER SERIES 3 LS

- Burners: 3 stainless steel, plus side burner
- Cooking surface: enamelled cast iron, 2,745cm²
- Even Temp®: even heat distribution
- Campinggaz® Culinary Modular cooking accessory compatible
- InstaClean®: removable parts fit in a dishwasher
- Instastart®: match-free lighting with LED dials
- Body: fully enclosed
- Dimensions: 144 x 69 x 149cm
- Weight: 60kg

£540.00



DESCRIPTION	PACK SIZE	DECCO CODE	PRODUCT CODE	BARCODE	SSP (£)
Master Series 3 LS Barbecue	1	D81094	2000032424	3138522103323	540.00

MASTER SERIES 4 LS

MASTER SERIES 4 LS

- Burners: 4 stainless steel, plus side burner
- Cooking surface: enamelled cast iron, 3,510cm²
- Even Temp®: even heat distribution
- Campinggaz® Culinary Modular cooking accessory compatible
- InstaClean®: removable parts fit in a dishwasher
- Instastart®: match-free lighting with LED dials
- Body: fully enclosed
- Dimensions: 137 x 62 x 119cm
- Weight: 69kg

£620.00



DESCRIPTION	PACK SIZE	DECCO CODE	PRODUCT CODE	BARCODE	SSP (£)
Master Series 4 LS Barbecue	1	D81095	2000032432	3138522103361	620.00

MASTER SERIES 3 LXS

MASTER SERIES 3 LXS

- Burners: 3 stainless steel, plus side burner
- Cooking surface: enamelled cast iron, 2,745cm²
- Even Temp[®]: even heat distribution
- Campingaz[®] Culinary Modular cooking accessory compatible
- InstaClean[®]: removable parts fit in a dishwasher
- Instastart[®]: match-free lighting with LED dials
- Body: fully enclosed
- Lid: enamelled double wall
- Dimensions: 144 x 63 x 120cm
- Weight: 64kg

£700.00



DESCRIPTION	PACK SIZE	DECCO CODE	PRODUCT CODE	BARCODE	SSP (£)
Master Series 3 LXS Barbecue	1	D81096	2000032416	3138522103248	700.00

MASTER SERIES 4 LXS

MASTER SERIES 4 LXS

- Burners: 4 stainless steel, plus side burner
- Cooking surface: enamelled cast iron, 3,510cm²
- Even Temp[®]: even heat distribution
- Campingaz[®] Culinary Modular cooking accessory compatible
- InstaClean[®]: removable parts fit in a dishwasher
- Instastart[®]: match-free lighting with LED dials
- Body: fully enclosed
- Lid: enamelled double wall
- Dimensions: 160 x 63 x 120cm
- Weight: 77.8kg

£800.00



DESCRIPTION	PACK SIZE	DECCO CODE	PRODUCT CODE	BARCODE	SSP (£)
Master Series 4 LXS Barbecue	1	D81097	2000032420	3138522103286	800.00