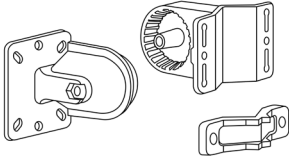

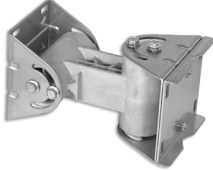



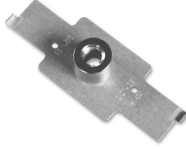
# Juniper Access Point Mounting Brackets

APs	BRACKET	P/N
	 <p>Universal Bracket for Indoor AP</p>	APBR-U
 <p>AP43(E), AP33, AP32(E), AP41(E), AP21, BT11</p>	 <p>APBRU and APBR-ADP-T12 Kit Assembled</p>	APBRU-T12
	 <p>5/8" Threaded Rod Bracket</p>	APBR-T58
	 <p>M16 Threaded Rod Bracket</p>	APBR-M16
 <p>AP21, BT11</p>	 <p>Drywall Ceiling Bracket Kit for AP21/BT11*</p>	<p>* Needed to work with the 5/8" or M16 Threaded Rod Bracket * Optional metal part for some installation scenarios</p> <p>APBR-SW1</p>
 <p>AP12</p>	 <p>Wall Plate Bracket for AP12</p>	APBR-WP1

# Juniper Access Point Mounting Brackets

APs	BRACKET	P/N
	 <p data-bbox="610 474 1013 499">Articulating Mount Bracket for AP61(E)</p>	<p data-bbox="1247 386 1409 411">APOUTBR-ART</p>
 <p data-bbox="207 695 388 751">AP63(E), AP61(E) (OUTDOOR)</p>	 <p data-bbox="610 701 1013 726">Articulating Mount Bracket for AP63(E)</p>	<p data-bbox="1239 615 1417 640">APOUTBR-ART2</p>
	 <p data-bbox="623 942 997 968">Flush Mount Bracket for Outdoor AP</p>	<p data-bbox="1247 848 1409 873">APOUTBR-FM</p>

# Juniper Access Point Mounting Bracket Adapters

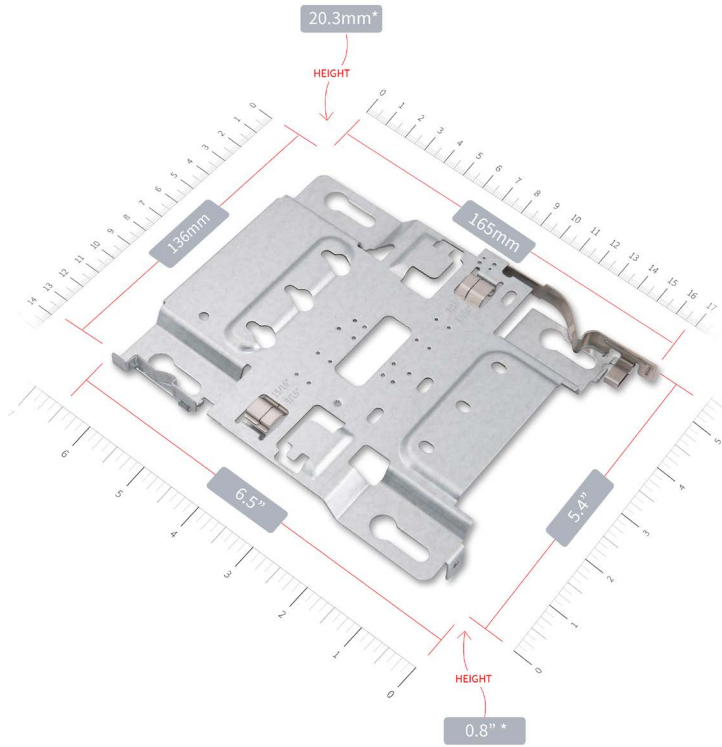
APs	BRACKET	P/N
	 <p data-bbox="643 1335 980 1360">Adapter for Recessed 1 5/16" T-Rail</p>	<p data-bbox="1239 1251 1417 1276">APBR-ADP-RT15</p>
 <p data-bbox="207 1633 391 1728">AP43(E), AP33, AP32(E), AP41(E), AP21, BT11</p>	 <p data-bbox="558 1556 1062 1581">Adapter for Channel Rail and Recessed 9/16" T-Rail</p>	<p data-bbox="1239 1472 1417 1497">APBR-ADP-CR9</p>
	 <p data-bbox="699 1780 927 1806">Adapter for 1 1/2" T-Rail</p>	<p data-bbox="1230 1696 1425 1722">APBR-ADP-WS15</p>
	 <p data-bbox="662 2001 964 2026">Adapter for 1/2" Threaded Rod</p>	<p data-bbox="1239 1917 1417 1942">APBR-ADP-T12</p>

# Mounting Brackets

Compatible with AP43(E), AP33, AP32(E), AP41(E), AP21, and BT11

## APBR-U

UNIVERSAL BRACKET FOR INDOOR AP



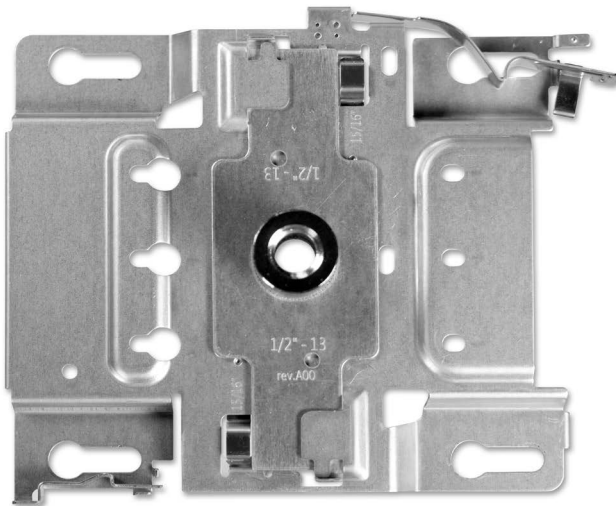
Top View



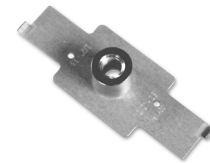
Bottom View

## APBRU-T12

APBR-U AND APBR-ADP-T12 KIT ASSEMBLED



Top View APBR-U



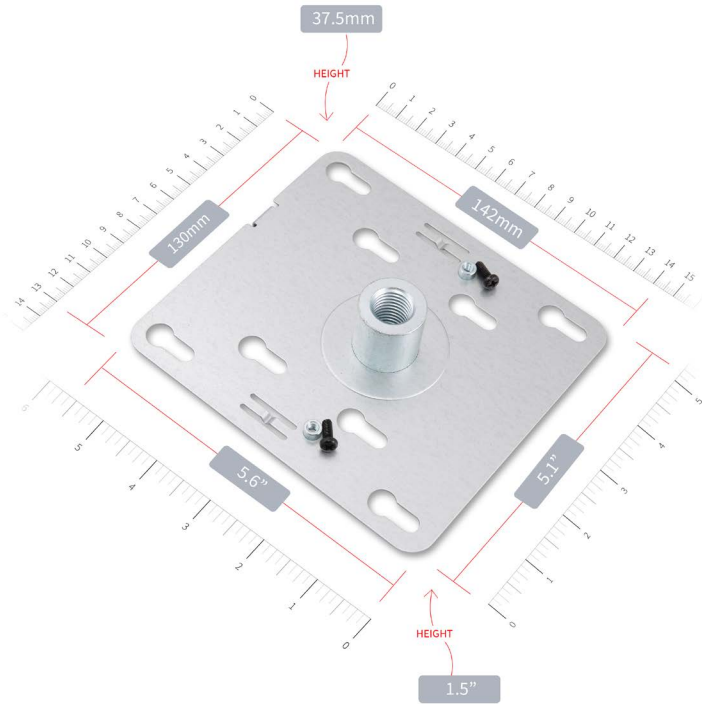
Top View APBR-ADP-T12

# Mounting Brackets

Compatible with AP43(E), AP33, AP32(E), AP41(E), AP21, and BT11

## APBR-T58

5/8" THREADED ROD BRACKET



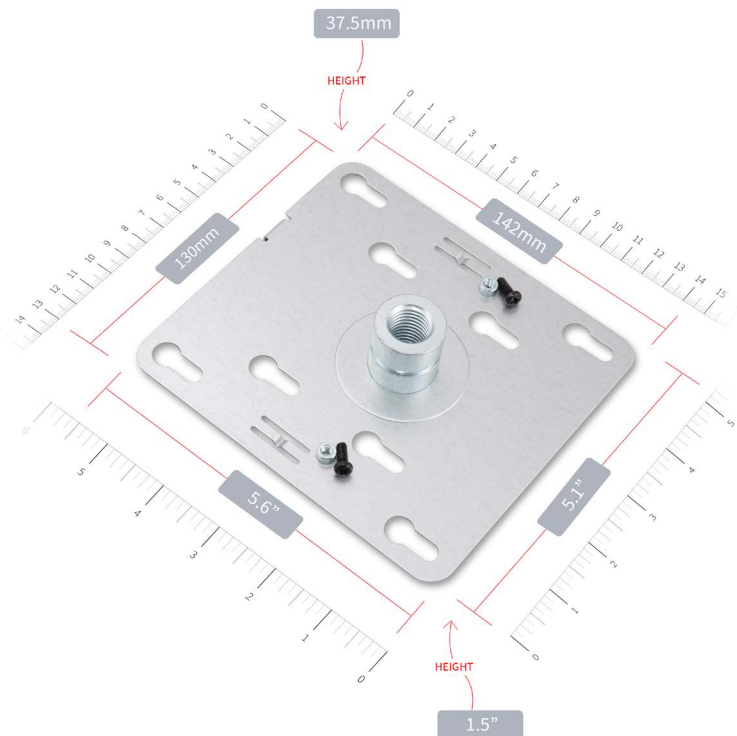
Top View



Bottom View

## APBR-M16

M16 THREADED ROD BRACKET



Top View



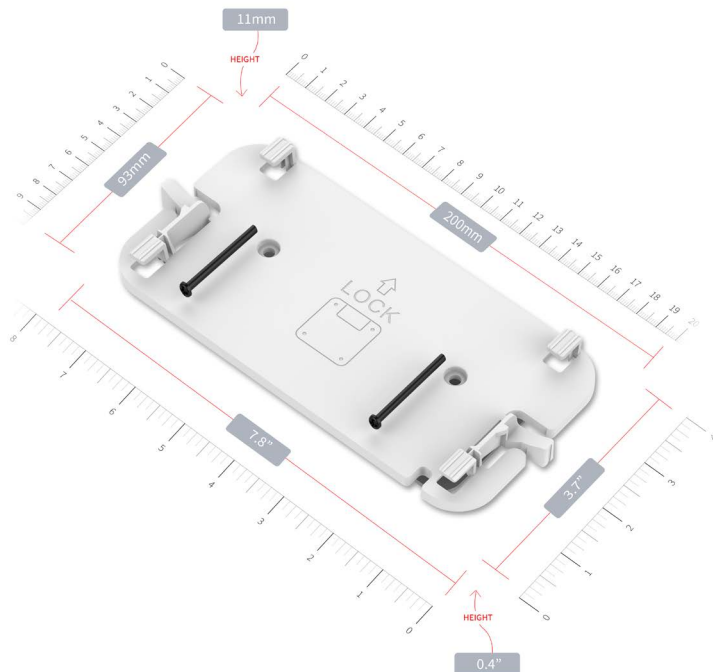
Bottom View

# Mounting Brackets

Compatible with BT11 and AP21

**APBR-SW1**

DRYWALL CEILING BRACKET



Top View



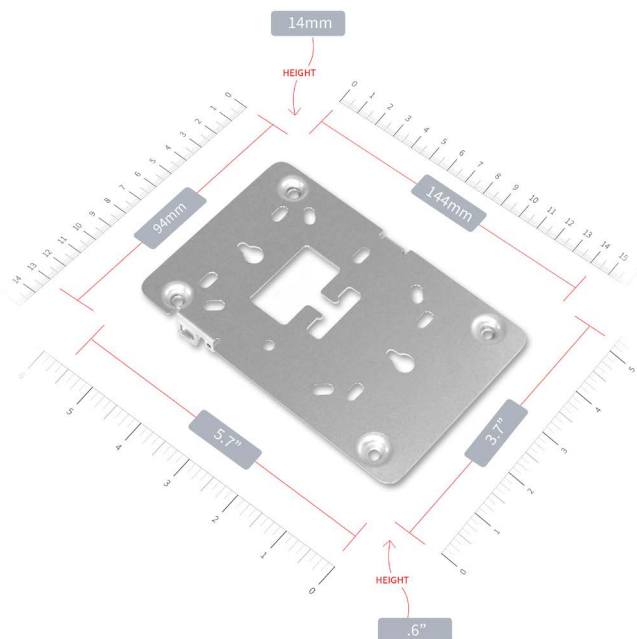
Bottom View

# Mounting Brackets

Compatible with AP12

**APBR-WP1**

WALL PLATE BRACKET FOR AP12



Top View



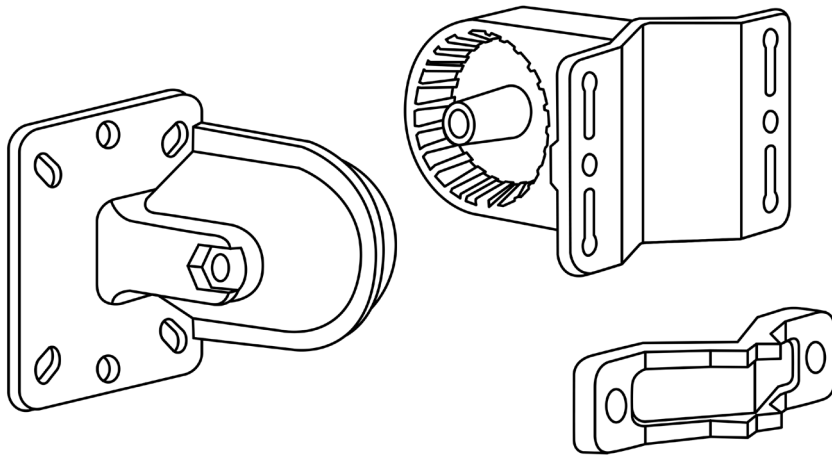
Bottom View

# Mounting Brackets

Compatible with Outdoor AP61(E) and AP63(E)

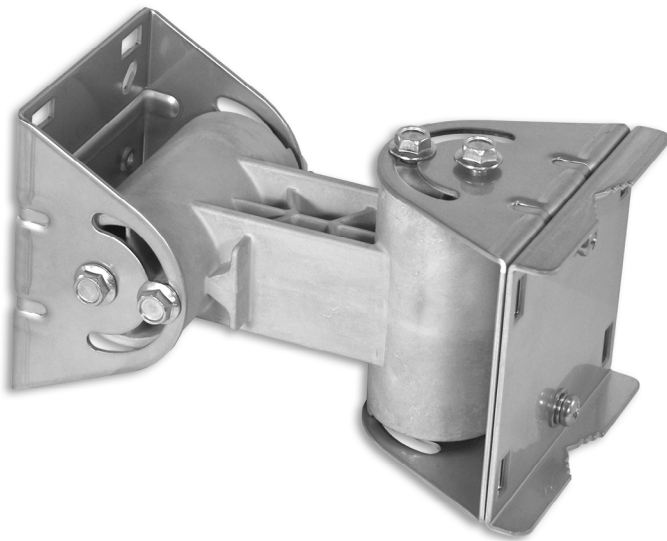
## APOUTBR-ART

ARTICULATING MOUNT BRACKET FOR AP61(E)



## APOUTBR-ART2

ARTICULATING MOUNT BRACKET FOR AP63(E)



Mounting Bracket 1



Mounting Bracket 2



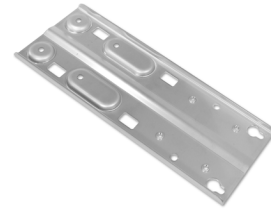
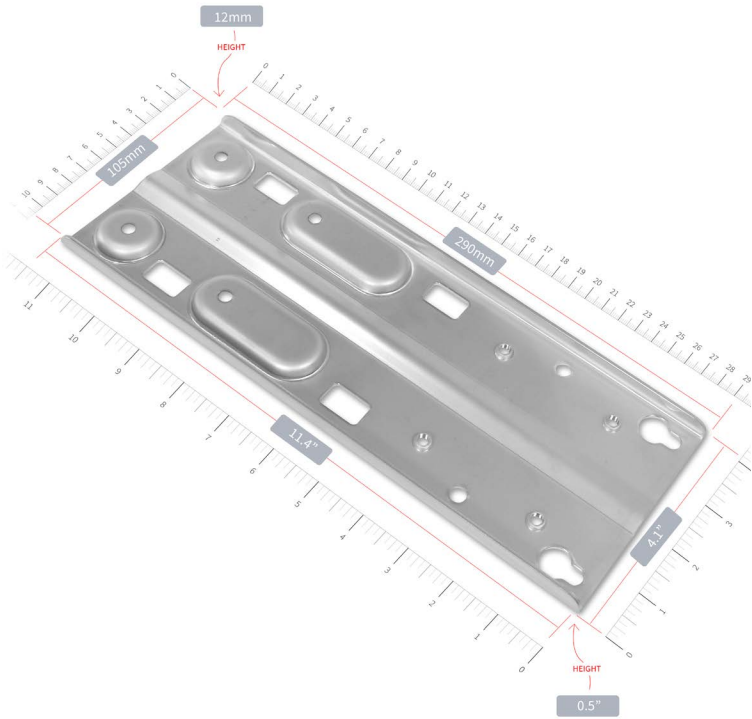
Mounting Bracket 3

# Mounting Brackets

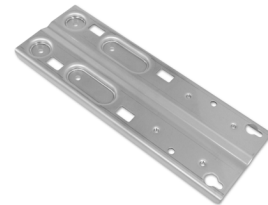
Compatible with Outdoor AP63(E) and AP61(E)

**APOUTBR-FM**

FLUSH MOUNT BRACKET FOR OUTDOOR AP



Top View



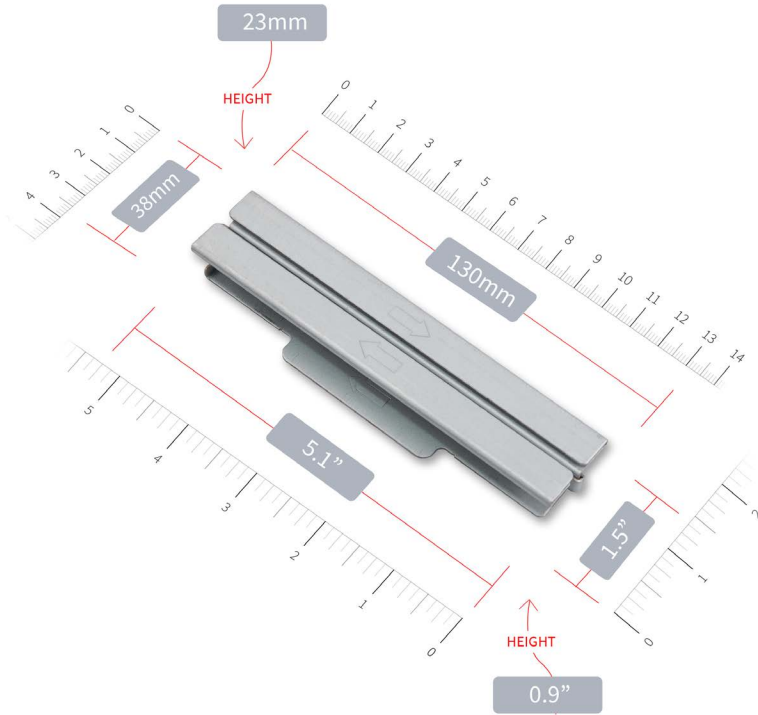
Bottom View

# Bracket Adapters

## Compatible with Universal Indoor Bracket (APBR-U)

### APBR-ADP-RT15

ADAPTER FOR RECESSED  $\frac{15}{16}$ " T-RAIL



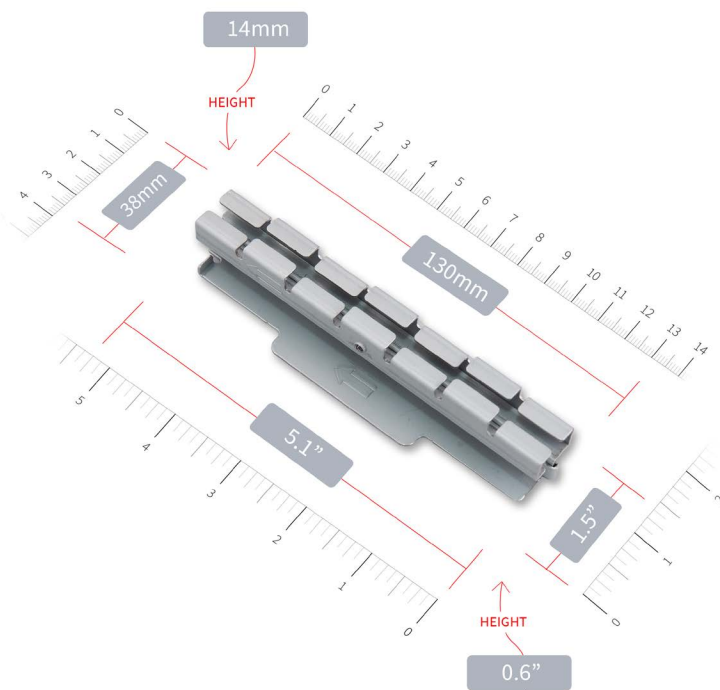
Top View



Bottom View

### APBR-ADP-CR9

ADAPTER - FOR CHANNEL RAIL AND RECESSED  $\frac{9}{16}$ " T-RAIL



Top View



Bottom View

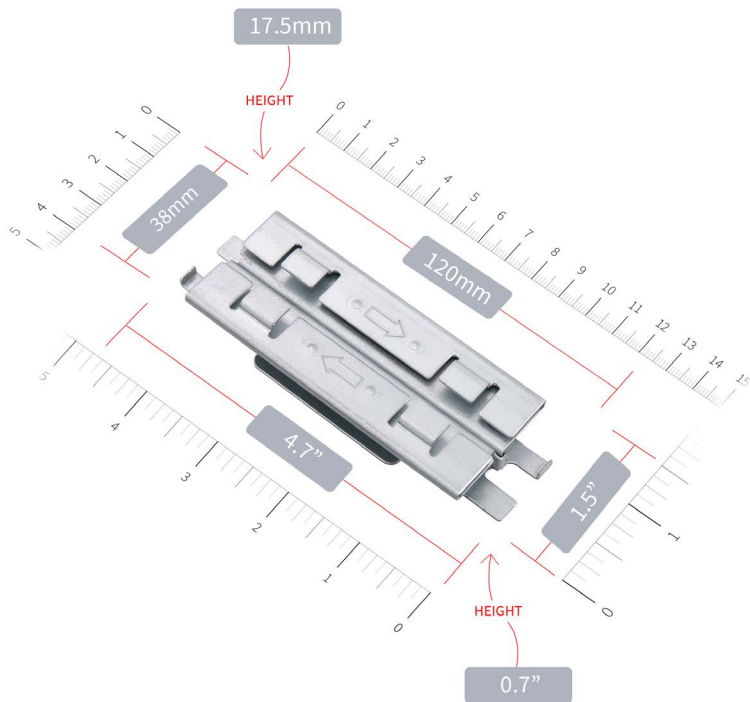


# Bracket Adapters

## Compatible with Universal Indoor Bracket (APBR-U)

### APBR-ADP-WS15

ADAPTER FOR 1½" T-RAIL



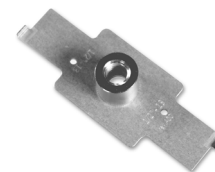
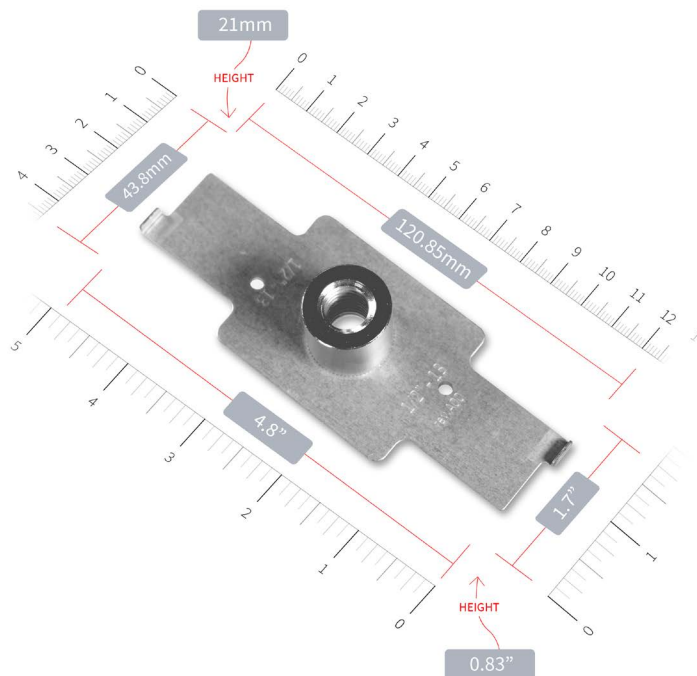
Top View



Bottom View

### APBR-ADP-T12

ADAPTER FOR ½" THREADED ROD



Top View