



M12 UDEL

SERVICE PARTS DIAGRAM

TTI Model Number: 018 382 007, 008

M12™ UNIVERSAL HAMMER VAC

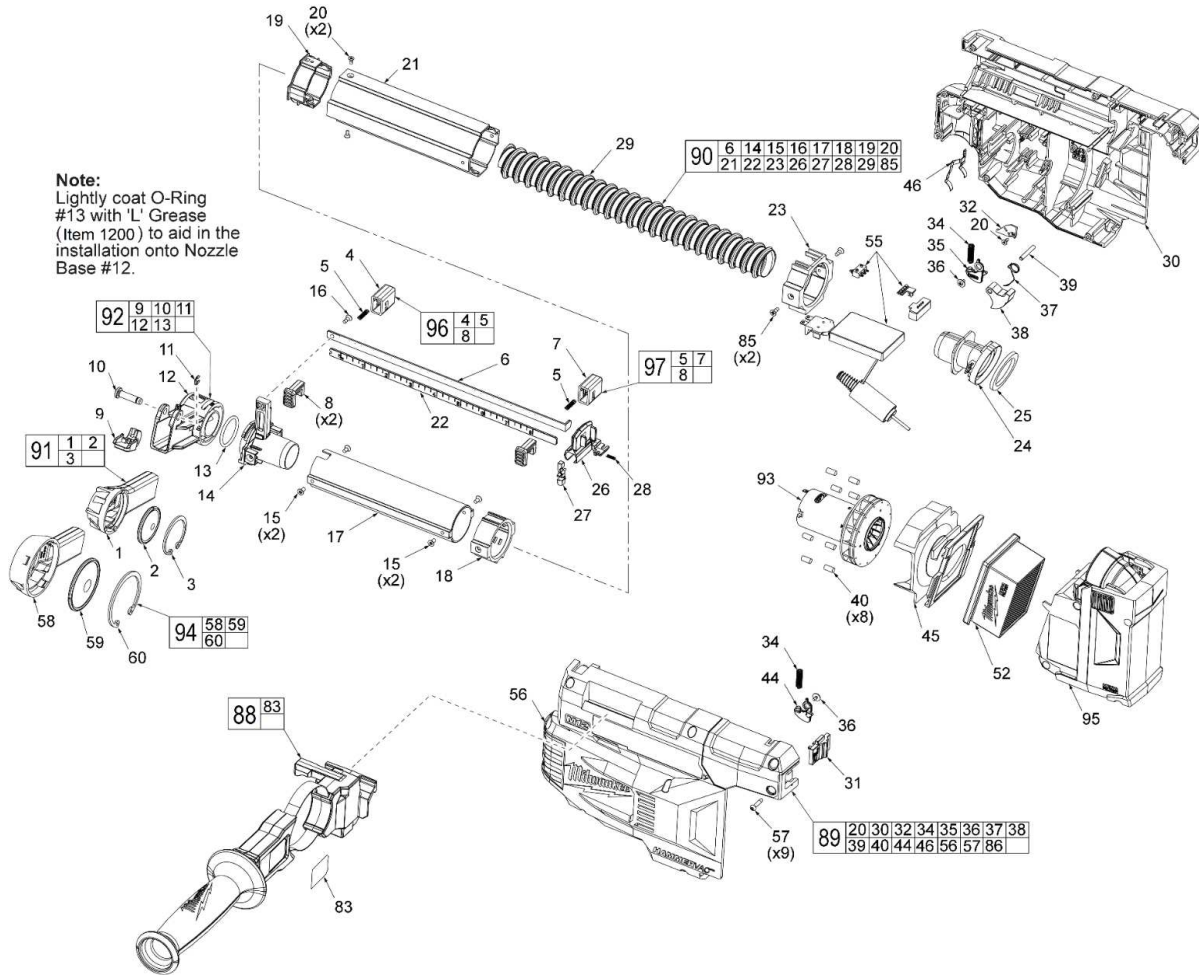
Bulletin Date:

Mar-21

Starting Serial Number:

VERSION A - H2020

EXAMPLE:
Component Parts (Small #)
Are Included When Ordering
The Assembly (Large #).





M12 UDEL

SERVICE PARTS LIST

TTI Model Number: 018 382 007, 008

M12™ UNIVERSAL HAMMER VAC

Bulletin Date:

Mar-21

Starting Serial Number:

VERSION A - H2020

ITEM	PART NUMBER	PART DESCRIPTION	QTY (PCS)
1	315369001	NOZZLE	1
2	305140001	HAIR BRUSH	1
3	633524001	RETAINING RING	1
4	591985001	FRONT DEPTH STOPPER BODY	1
5	691103002	SPRING	2
6	658492001	DEPTH PLATE	1
7	591948001	BACK DEPTH STOPPER BODY	1
8	315321001	DEPTH STOPPER BUTTON	2
9	591261001	CAM LOCK LEVER	1
10	674010001	RETAINING PIN	1
11	671997001	E-RING	1
12	340945001	NOZZLE BASE	1
13	563133001	O-RING	1
14	342947002	TUBE CAP (NEW)	1
14	342947001	TUBE CAP (OLD)	1
15	662574001	M3 X 6MM FLAT HD. PHILLIPS SCREW	4
16	660204004	M3 X 8MM FLAT HD. PHILLIPS SCREW	1
17	658493002	FRONT AL TUBE (NEW)	1
17	658493001	FRONT AL TUBE (OLD)	1
18	591982002	BUSHING FOR FRONT TUBE (NEW)	1
18	591982001	BUSHING FOR FRONT TUBE (OLD)	1
19	591983001	BUSHING FOR REAR TUBE	1
20	660221008	M2.6 X 6MM FLAT HD. PHILLIPS SCREW	3
21	658494001	REAR TUBE	1
22	658527007	RULER	1
23	591984001	REAR BUSHING	1
24	591954001	DUST OUTLET	1
25	903665001	GASKET	1
26	591991001	DEPTH PLATE GUIDER	1
27	591986001	AUTO TRIGGER	1
28	698106001	SPRING	1
29	315196008	SPRING TUBE (NEW)	1
29	315196006	SPRING TUBE (OLD)	1
29	315196001	SPRING TUBE (OLD)	1
30	-	HOUSING SUPPORT	1
31	340970001	SWITCH TRIGGER	1
32	591990001	WIRE COVER	1
34	698112001	SPRING	2



M12 UDEL

SERVICE PARTS LIST

TTI Model Number: 018 382 007, 008

M12™ UNIVERSAL HAMMER VAC

Bulletin Date:

Mar-21

Starting Serial Number:

VERSION A - H2020

ITEM	PART NUMBER	PART DESCRIPTION	QTY (PCS)
35	643844001	FILTER DETECTOR SUPPORT SIDE	1
36	661262001	M2.3 SCREW	2
37	698107001	TORSION SPRING	1
38	614225001	BELL CRANK	1
39	673634001	PIN FOR BELL CRANK	1
40	563440001	ISOLATOR	8
44	643845001	FILTER DETECTOR COVER SIDE	1
45	315371001	FILTER PLATE	1
46	633680001	SPRING CLIP	1
52	305642002	FILTER	1
55	280197045	PCBA ASSEMBLY	1
56	-	HOUSING COVER	1
57	660570005	M3 SCREW	13
58	315370001	STOP BIT NOZZLE	1
59	315372001	HAIR BRUSH	1
60	658491001	RETAING RING	1
83	941300202	WARNING LABEL 018382007 ASIA VERSION	1
83	941300240	WARNING LABEL 018382008 APJ VERSION	1
85	660203073	M3 X 6MM PAN HD. PHILLIPS SCREW	2
86	941122976	RATING LABEL (NOT SHOWN) 018382007 ASIA VERSION	1
86	941050558	RATING LABEL (NOT SHOWN) 018382008 APJ VERSION	1
88	202466004	SIDE HANDLE ASSEMBLY	1
89	202460006	HOUSING ASSEMBLY	1
90	202358002	DUST TUBE ASSEMBLY	1
91	202354002	NOZZLE ASSEMBLY	1
92	202355002	NOZZLE BASE ASSEMBLY STANDARD	1
93	208630001	FAN AND MOTOR ASSEMBLY	1
94	202354003	NOZZLE ASSEMBLY STOP BIT	1
95	202469002	DUST BOX ASSEMBLY	1
96	202368002	FRONT DEPTH BUTTON ASSEMBLY	1
97	202368003	REAR DEPTH BUTTON ASSEMBLY	1
1200	-	TYPE L GREASE	1



M12 UDEL

SERVICE INSTRUCTION

TTI Model Number: 018 382 007, 008

M12™ UNIVERSAL HAMMER VAC

Bulletin Date:

Mar-21

Starting Serial Number:

VERSION A - H2020

Wire Routing

