

CENTURY®

LEGENDARY LEADERSHIP



OWNER'S MANUAL

SERIES 12 LCG CARRIERS GENERATION II

INSTALLATION, OPERATION, MAINTENANCE & PARTS

**NOTE: MANUAL including SPECIFICATIONS, subject to change without notice
All ratings specified are based on structural factors only,
not vehicle capacities or capabilities.**

CENTURY.

Miller Industries PA Carrier Division.
2577 Kirila Dr.
Hermitage, PA 16148

FORM NO. 0540027
REV. 03/2022
PRICE \$25.00

Section V - PARTS

This Section is provided by the manufacturer for the purpose of ordering any component part of the **12 Series LCG Carrier** that may be required when part replacement is necessary. Be certain to use only original equipment replacement parts for warranty purposes as well as for keeping your **12 Series LCG Carrier** in its original state and optimum operating capacities.

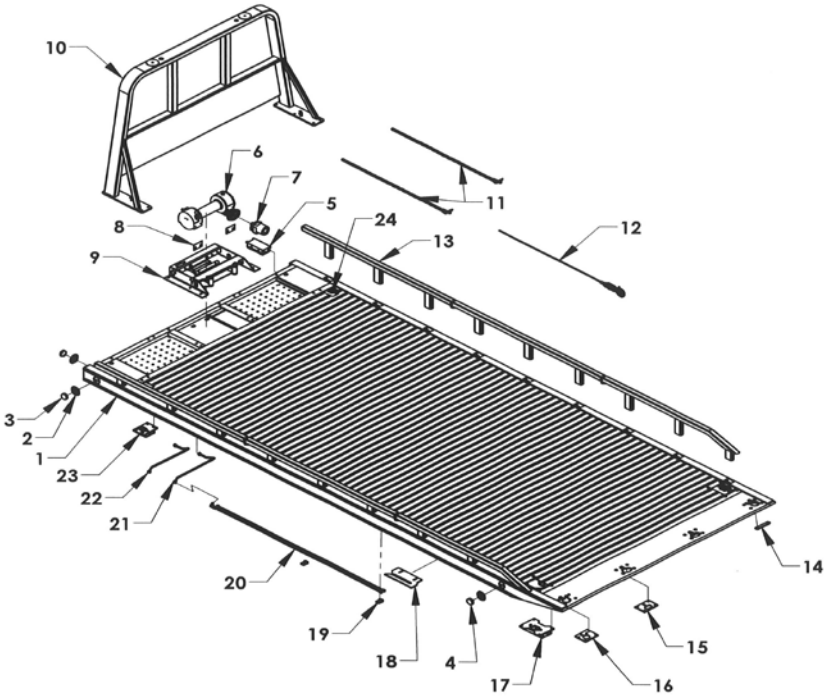
When ordering replacement or spare parts be sure to provide the following information to your carrier manufacturer authorized representative.

1. **Manual Number & Date of Publication**
2. **Manual Page Number**
3. **Page Title**
3. **Reference Number of Part Desired**
4. **Part Number**
6. **Part Description**
7. **Quantity of Part Desired**

Providing this information will help ensure that the correct parts will be delivered to you in an expedient manner without delay. Should additional information be required for repair or replacement of certain components, contact **Miller Industries, Hermitage, PA, Phone: 724-981-3328**.

The Manufacturer reserves the right, without notice or obligation, to improve or modify their products, which may change the specifications, models and feature availability.

Section V - PARTS
ALUMINUM BED ASSEMBLY GEN 3
REMOVABLE RAIL

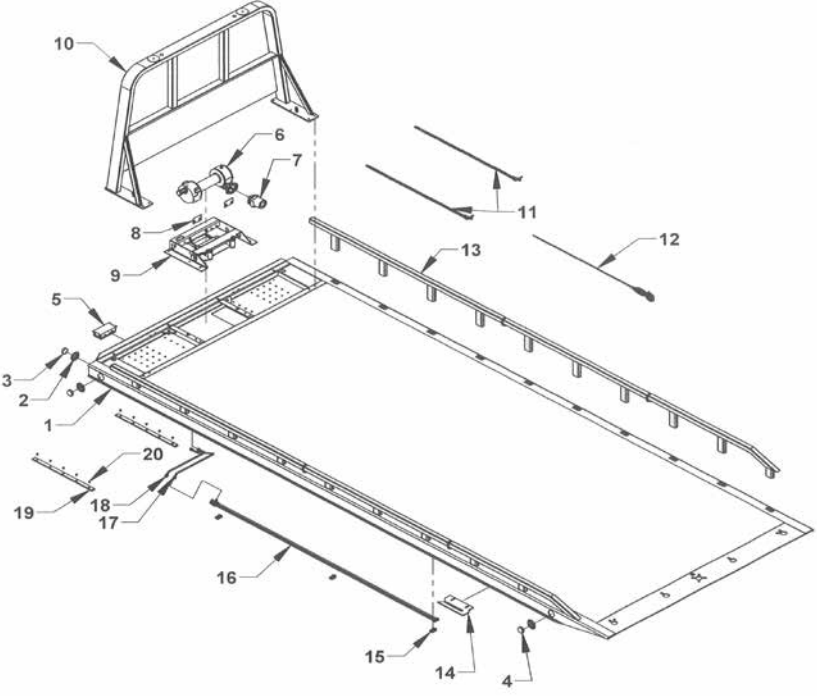


Section V - PARTS

**ALUMINUM BED ASSEMBLY GEN 3
REMOVABLE RAIL**

REF. NO.	QTY	PART NUMBER	DESCRIPTION
1	1	30184122LXXX	S12 LCG G3 AL BED WELDMNT XXX = 205, 210, 215, 220
2	6	0311516	2-1/2" MARKER LIGHT GROMMET
3	4	0311513	2-1/2" AMBER MARKER LIGHT
4	2	0311512	2-1/2" RED MARKER LIGHT
5	1	0303385	10 POST JUNCTION BOX
6	1	0308698	RAMSEY 8000 LB WORM GEAR
7	1	0320147	WINCH MOTOR 5 CUBIC INCH
8	2	0701172	SPACER, WINCH BRACKET
9	1	0940425	WINCH MOUNTING FRAME
10	1	0809558-XX	CAB PROTECTOR XX = 38, 45, 48, 50, 52, 54, 57, 60, 62, 64
11	1	0302493	FRONT SAFETY CHAIN ASSEMBLY - 5/16 x 8'
12	2	0301669	WINCH CABLE ASSEMBLY
13	1	09009171-XXX	REMOVABLE TUBE RAIL (SEE CHART)
14	2	07004889	APPROACH SKID PLATE
15	2	34521	ALUM APPROACH PLATE CHAINLOCK
16	2	07007442	ALUM APPROACH PLATE CHAINLOCK 2-WAY
17	X	08001669	CHAINLOCK - SIDE CHAIN BINDER
18	1	33813	ANTI-TILT PLATE
19	2	0751188	FLUID TUBE MOUNTING BLOCK-LOWER
20	2	383S1-XXX	SERIES 10/12/16 UNDER BODY FLUID TUBE XXX = 205, 210, 215, 220
21	1	0751975-R	WINCH MOTOR FLUID TUBE - RAMSEY - LONG
22	1	0751974-R	WINCH MOTOR FLUID TUBE - RAMSEY - SHORT
23	1	08004844L	CHAIN LOCK - FRONT CHAIN BINDER - LH
24	1	08004844R	CHAIN LOCK - FRONT CHAIN BINDER - RH

Section V - PARTS
STEEL BED ASSEMBLY GEN 2
REMOVABLE TUBE RAIL



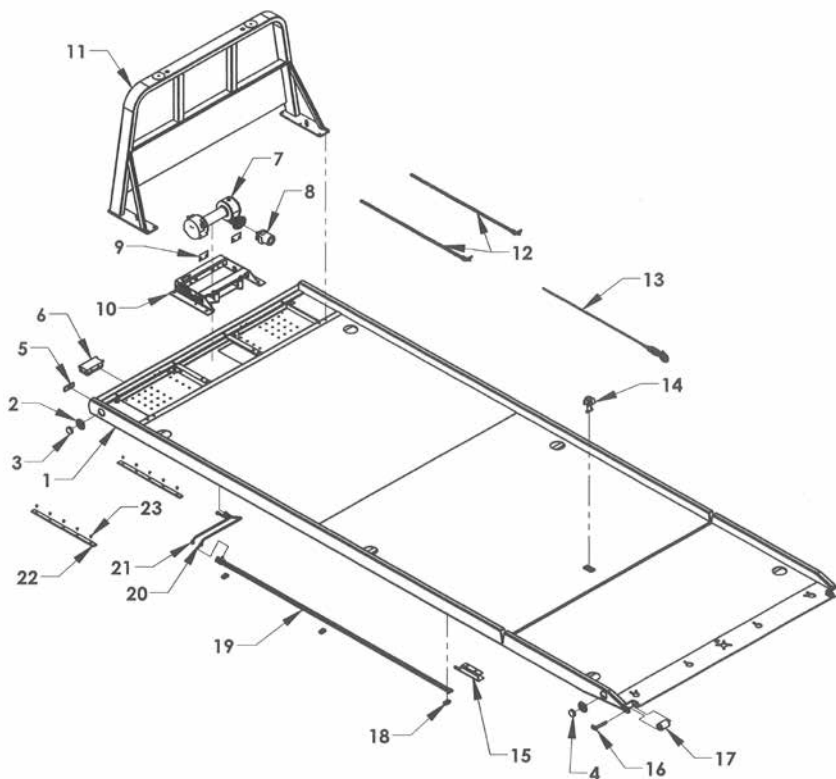
Section V - PARTS

**STEEL BED ASSEMBLY GEN 2
REMOVABLE RAIL**

REF. NO.	QTY	PART NUMBER	DESCRIPTION
1	1	30284122XXX	S12 LCG G2 AL BED WELDMNT XXX = 205, 210, 215, 220
2	6	0311516	2-1/2" MARKER LIGHT GROMMET
3	4	0311513	2-1/2" AMBER MARKER LIGHT
4	2	0311512	2-1/2" RED MARKER LIGHT
5	1	0303385	10 POST JUNCTION BOX
6	1	0308698	RAMSEY 8000 LB WORM GEAR
7	1	0306157	WINCH MOTOR 5 CUBIC INCH
8	2	0701172	SPACER, WINCH BRACKET
9	1	0940425	WINCH MOUNTING FRAME
10	1	0809558-XX	CAB PROTECTOR XX = 48, 50, 52, 54, 57, 60, 62, 64
11	2	0302493	FRONT SAFETY CHAIN ASSEMBLY - 5/16 x 8"
12	1	0301669	WINCH CABLE ASSEMBLY
13	1	09009171-XXX	REMOVABLE TUBE RAIL (SEE CHART)
14	1	33813	ANTI-TILT PLATE
15	3	0751188	FLUID TUBE MOUNTING BLOCK-LOWER
16	2	383S1-XXX	SERIES 10/12/16 UNDER BODY FLUID TUBE XXX = 200, 205, 210, 215, 220, 225
17	1	0751975-R	WINCH MOTOR FLUID TUBE - RAMSEY - LONG
18	2	0751974-R	WINCH MOTOR FLUID TUBE - RAMSEY - SHORT
19	2	07005597	I-BEAM WEAR PAD
20	10	04000844	FHSCS 5/16-18 x 5/8 ZP

Section V - PARTS

STEEL BED ASSEMBLY GEN 2 SERIES 12 RIGHT APPROACH



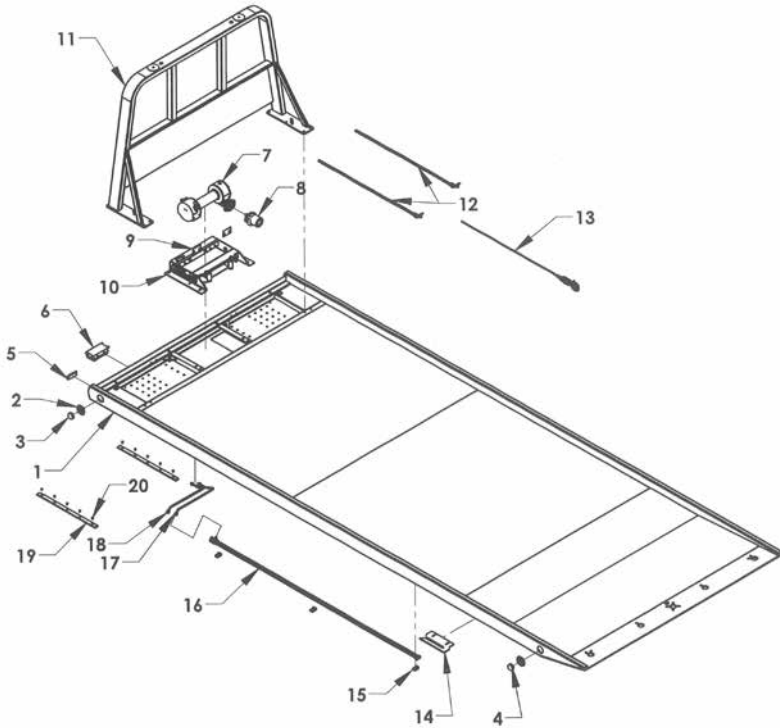
Section V - PARTS

**STEEL BED ASSEMBLY
GEN 2 SERIES 12 RIGHT APPROACH**

REF. NO.	QTY	PART NUMBER	DESCRIPTION
1	1	3028122RXXX	S12 G2 RA STEEL BED WELDMNT XXX = 205, 210, 215, 220
2	4	0311516	2-1/2" MARKER LIGHT GROMMET
3	2	0311513	2-1/2" AMBER MARKER LIGHT
4	2	0311512	2-1/2" RED MARKER LIGHT
5	2	0308360	RECT. REFLECTIVE LIGHT 4-3/8 x 1-1/2 AMBER
6	1	0303385	10 POST JUNCTION BOX
7	1	0308698	RAMSEY 8000 LB WORM GEAR
8	1	0320147	WINCH MOTOR 5 CUBIC INCH
9	2	0701172	SPACER, WINCH BRACKET
10	1	0940425	WINCH MOUNTING FRAME
11	1	0809558-XX	CAB PROTECTOR XX = 48, 50, 52, 54, 57, 60, 62, 64
12	2	0302493	FRONT SAFETY CHAIN ASSEMBLY - 5/16 x 8'
13	1	0301669	WINCH CABLE ASSEMBLY
14	1	0805324	CABLE GUIDE WELDMNT (HOOK STYLE)
15	1	0750465	ANTI-TILT PLATE RP
16	2	0806252	ROLLER TIP WHEEL KEEPER PIN
17	2	0721483	ROLLER
18	3	0751188	FLUID TUBE MOUNTING BLOCK-LOWER
19	2	383S1-XXX	SERIES 10/12/16 UNDER BODY FLUID TUBE XXX = 200, 205, 210, 215, 220, 225
20	1	0751975-R	WINCH MOTOR FLUID TUBE - RAMSEY - LONG
21	1	0751974-R	WINCH MOTOR FLUID TUBE - RAMSEY - SHORT
22	2	07005597	I-BEAM WEAR PAD
23	10	04000844	FHSCS 5/16-18 x 5/8 ZP

Section V - PARTS

STEEL BED ASSEMBLY GEN 2 SERIES 12 SST TUBE SIDES



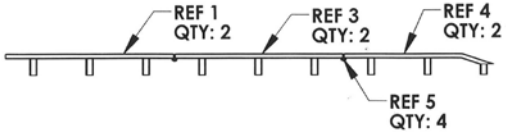
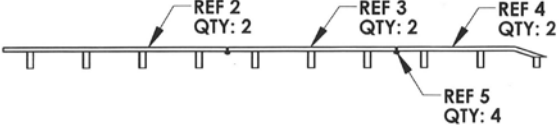
Section V - PARTS

STEEL BED ASSEMBLY GEN 2 SERIES 12 SST TUBE SIDES

REF. NO.	QTY	PART NUMBER	DESCRIPTION
1	1	30284122LSXXX-TX	S12 G2 SST TUBE SIDES BED WELDMNT XXX = 205, 210, 215, 220
2	4	0311516	2-1/2" MARKER LIGHT GROMMET
3	2	0311513	2-1/2" AMBER MARKER LIGHT
4	2	0311512	2-1/2" RED MARKER LIGHT
5	2	0308360	RECT. REFLECTIVE LIGHT 4-3/8 x 1-1/2 AMBER
6	1	0303385	10 POST JUNCTION BOX
7	1	0308698	RAMSEY 8000 LB WORM GEAR
8	2	0320147	WINCH MOTOR 5 CUBIC INCH
9	1	0701172	SPACER, WINCH BRACKET
10	1	0940425	WINCH MOUNTING FRAME
11	1	0809558-XX	CAB PROTECTOR XX = 48, 50, 52, 54, 57, 60, 62, 64
12	2	0302493	FRONT SAFETY CHAIN ASSEMBLY - 5/16 x 8'
13	1	0301669	WINCH CABLE ASSEMBLY
14	1	33813	ANTI-TILT PLATE
15	3	0751188	FLUID TUBE MOUNTING BLOCK-LOWER
16	2	383S1-XXX	SERIES 10/12/16 UNDER BODY FLUID TUBE XXX = 200, 210, 215, 220
17	1	0751975-R	WINCH MOTOR FLUID TUBE - RAMSEY - LONG
18	1	0751974-R	WINCH MOTOR FLUID TUBE - RAMSEY - SHORT
19	2	07005597	I-BEAM WEAR PAD
20	10	04000844	FHSCS 5/16-18 x 5/8 ZP

Section V - PARTS

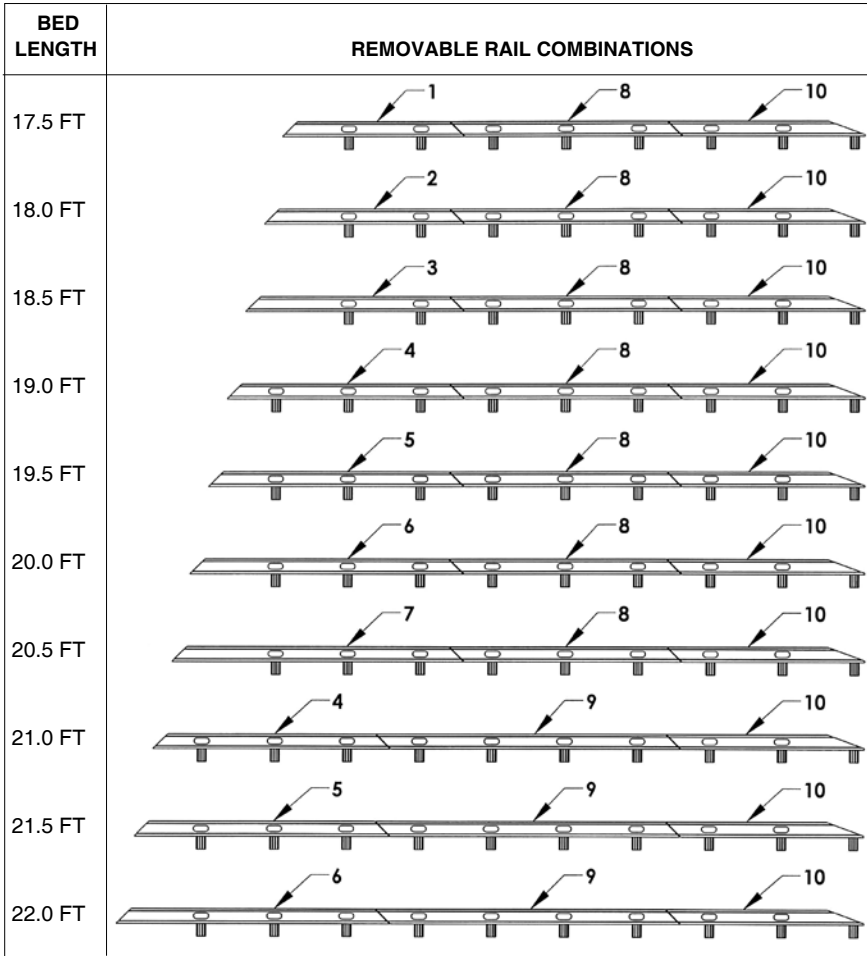
REMOVABLE TUBE SIDE RAILS

ASSEMBLY #	BED LENGTH	REMOVABLE TUBE SIDE RAIL COMBINATIONS
09009171-190	19 TO 20.5 FT	
09009171-210	21 TO 22 FT	

REF	PART #	DESCRIPTION	QPU
1	346071F	FRONT REMOVABLE TUBE RAIL - 3 POST	SEE CHART
2	346095F	FRONT REMOVABLE TUBE RAIL - 4 POST	SEE CHART
3	346071M	MIDDLE REMOVABLE TUBE RAIL - 3 POST	SEE CHART
4	346064	REAR REMOVABLE TUBE RAIL - 3 POST	SEE CHART
5	0306070	LYNCH PIN - 7/16 x 1-3/4 IN.	SEE CHART

Section V - PARTS

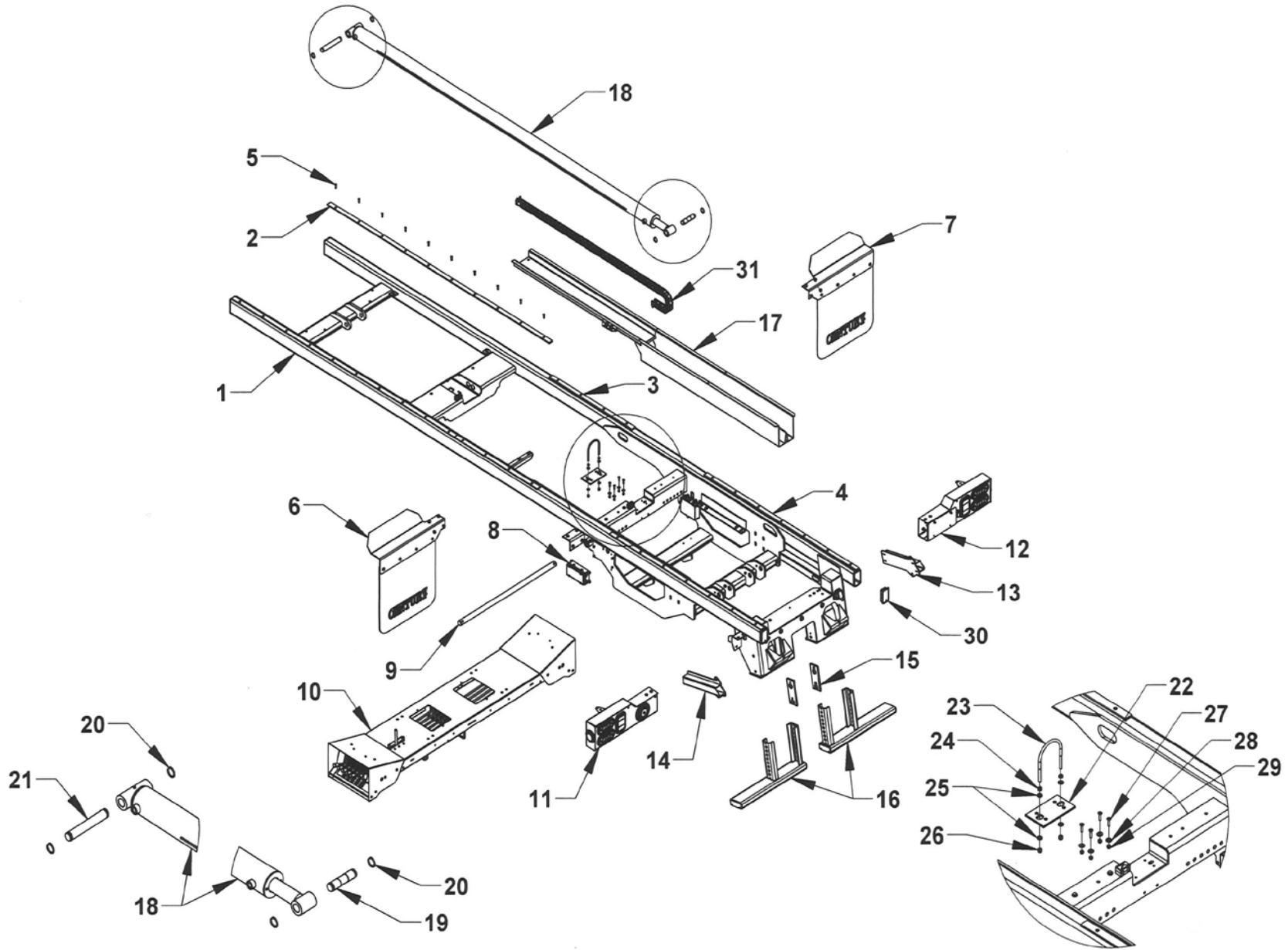
REMOVABLE BLADE SIDE RAILS



REF	PART #	DESCRIPTION	QPU
1	34B060FL	FRONT REMOVABLE BLADE RAIL - 2 POST	SEE CHART
2	34B066FL	FRONT REMOVABLE BLADE RAIL - 2 POST	SEE CHART
3	34B072FL	FRONT REMOVABLE BLADE RAIL - 2 POST	SEE CHART
4	34B078FL	FRONT REMOVABLE BLADE RAIL - 3 POST	SEE CHART
5	34B084FL	FRONT REMOVABLE BLADE RAIL - 3 POST	SEE CHART
6	34B090FL	FRONT REMOVABLE BLADE RAIL - 3 POST	SEE CHART
7	34B096FL	FRONT REMOVABLE BLADE RAIL - 3 POST	SEE CHART
8	34B072ML	MIDDLE REMOVABLE BLADE RAIL - 3 POST	SEE CHART
9	34B096ML	MIDDLE REMOVABLE BLADE RAIL - 4 POST	SEE CHART
10	34B064RL	REAR REMOVABLE BLADE RAIL - 3 POST	SEE CHART

Section V - PARTS

12 SERIES GEN 2 LCG SUBFRAME COMPONENTS



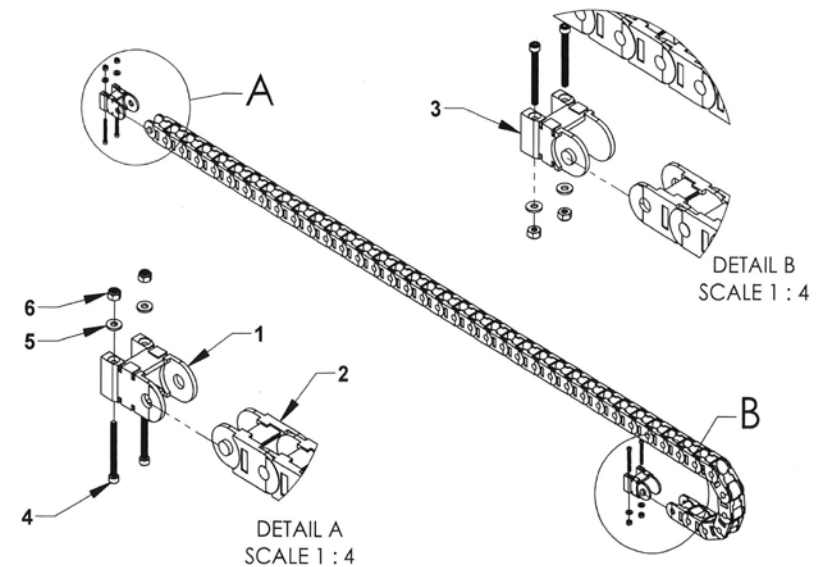
Section V - PARTS

12 SERIES GEN 2 LCG SUBFRAME ASSEMBLY

REF NO.	NO REQ'D	PART NUMBER	DESCRIPTION
1	1	0809839	G2 SUBFRAME WELDMNT
2	2	0308928-96	SUBFRAME BEARING PAD 5/16 x 1-1/2 x 96
3	2	0308928-36	SUBFRAME BEARING PAD 5/16 x 1-1/2 x 36
4	2	0308928-66N	NYLATRON SUBFRAME BEARING PAD 5/16 x 1-1/2 x 66
5	42	0400321	BOLT 5/16 -18 x 1-1/4 COUNTERSUNK TORX ST
6	1	0751024L	ALUM SPLASH GUARD LH REAR RH FRONT
7	1	0751024R	ALUM SPLASH GUARD RH REAR LH FRONT
8	1	0303385	10 POST JUNCTION BOX
9	1	0750952	S12 LCG HINGE PIN
10	1	183126	6-SPOOL CONTROL STATION
11	1	0940325L	CENTURY TAIL LIGHT HOUSING GROUP - LH
12	1	0940325R	CENTURY TAIL LIGHT HOUSING GROUP - RH
13	1	0809287R	L-ARM STORAGE TUBE - 4K RH (STD) SLIDE-IN ARM
	1	160540R	L-ARM STORAGE TUBE - 4K RH (OPTIONAL) - SCOOP
	1	160535R	L-ARM STORAGE TUBE - 4K RH (OPTIONAL) - DROP-IN
14	1	0809287L	L-ARM STORAGE TUBE - 4K LH (STD) SLIDE-IN ARM
	1	160540L	L-ARM STORAGE TUBE - 4K LH (OPTIONAL) - SCOOP
	1	160535L	L-ARM STORAGE TUBE - 4K LH (OPTIONAL) - DROP-IN
15	2	0750409	STABILIZER WHEEL LIFT GUIDE PAD
16	2	160525	STABILIZER EXTENSION STAND-LOW PROFILE
17	1	0809824	LCG DUAL BAY HOSE TRAY
18	1	72A35120	SLIDEBACK CYLINDER 3.5 BORE x 120 STROKE
19	1	32117	SLIDEBACK CYLINDER MOUNTING PIN 1.230
20	4	86125E	1-1/4 SNAP RING - EXTERNAL
21	1	13302010	S12 LCG SLIDEBACK CYLINDER MOUNTING PIN
22	1	0751223	LCG 12/16/20 S/B CYLINDER SUPPORT PAD
23	1	81286	U-BOLT 3/8-16 UNC
24	2	0400394	3/8 HEX NUT
25	4	0400480	3/8 FLAT WASHER
26	2	0400392	NYLON LOCK NUT 3/8-16 UNC
27	4	0403162	BOLT 5/16-18 UNC - ALLEN COUNTERSUNK
28	4	0400465	5/16 FLAT WASHER
29	4	0400382	NYLON LOCK NUT 5/16-18 UNC
30	2	0308748	5 x 3 x 5/16 SUBFRAME TUBE PLUG
31	1	09006108	IGUS 200.02.055 41 LINK TRACK AND BOLT KIT

Section V - PARTS

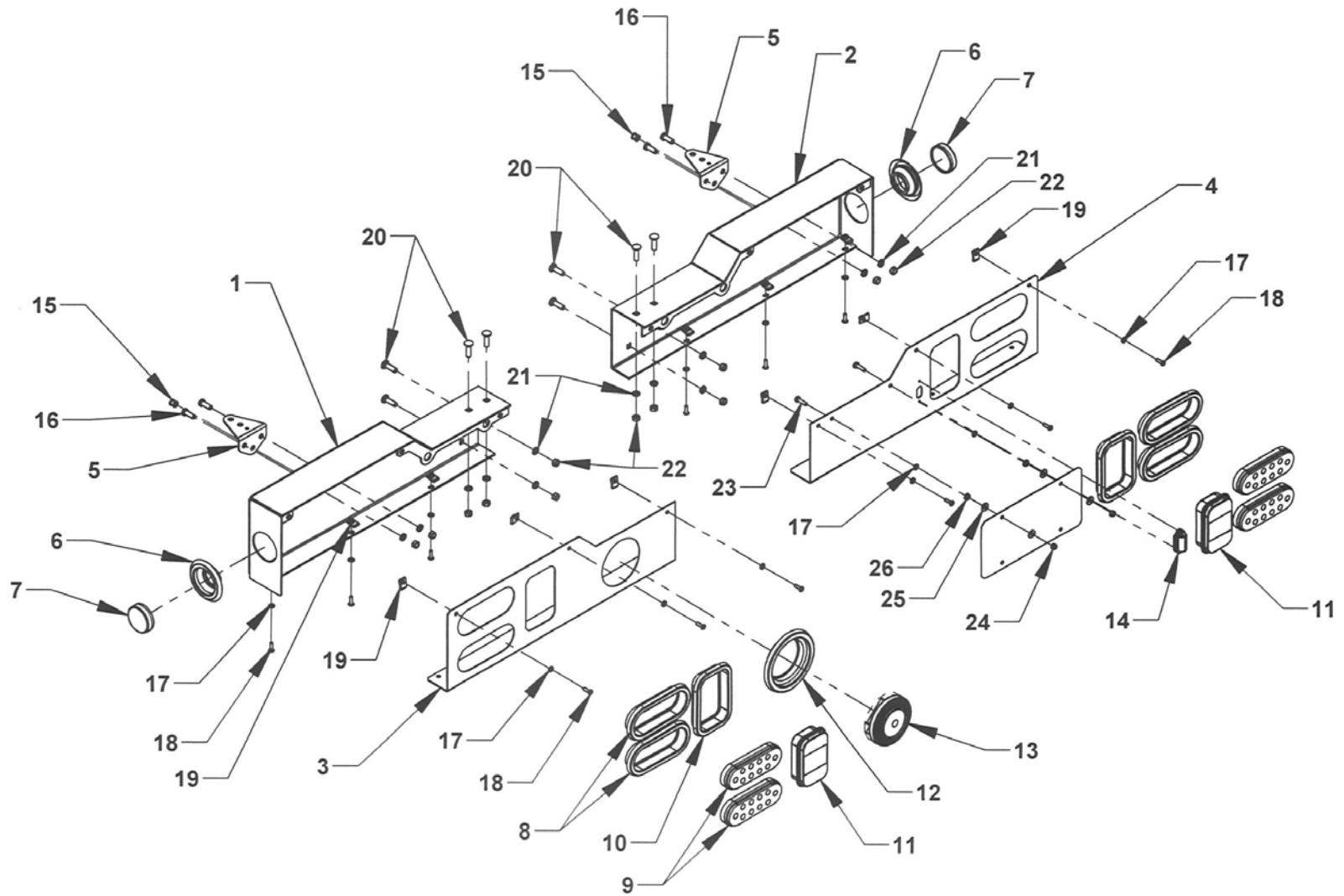
IGUS TRACK AND BOLT KIT - 09006108 120" SLIDEBACK CYLINDER STROKE



REF	QTY	PART #	DESCRIPTION
	1	09006108	IGUS 200.02.055 41 LINK TRACK & BOLT KIT
1	1	03009029	IGUS 2000.02.12 END LINK - FEMALE
2	41	03005611	IGUS 200.02.055 LINK
3	1	03009028	IGUS 2100.02.12 END LINK - MALE
4	4	0403165	BOLT SHCS #10-24 UNC x 2 ZP
5	4	0400450	FLAT WASHER #10 SAE ZP
6	4	0400358	NUT NYLON #10-24 UNC ZP

Section V - PARTS

12 SERIES LCG TAIL LIGHT COMPONENTS



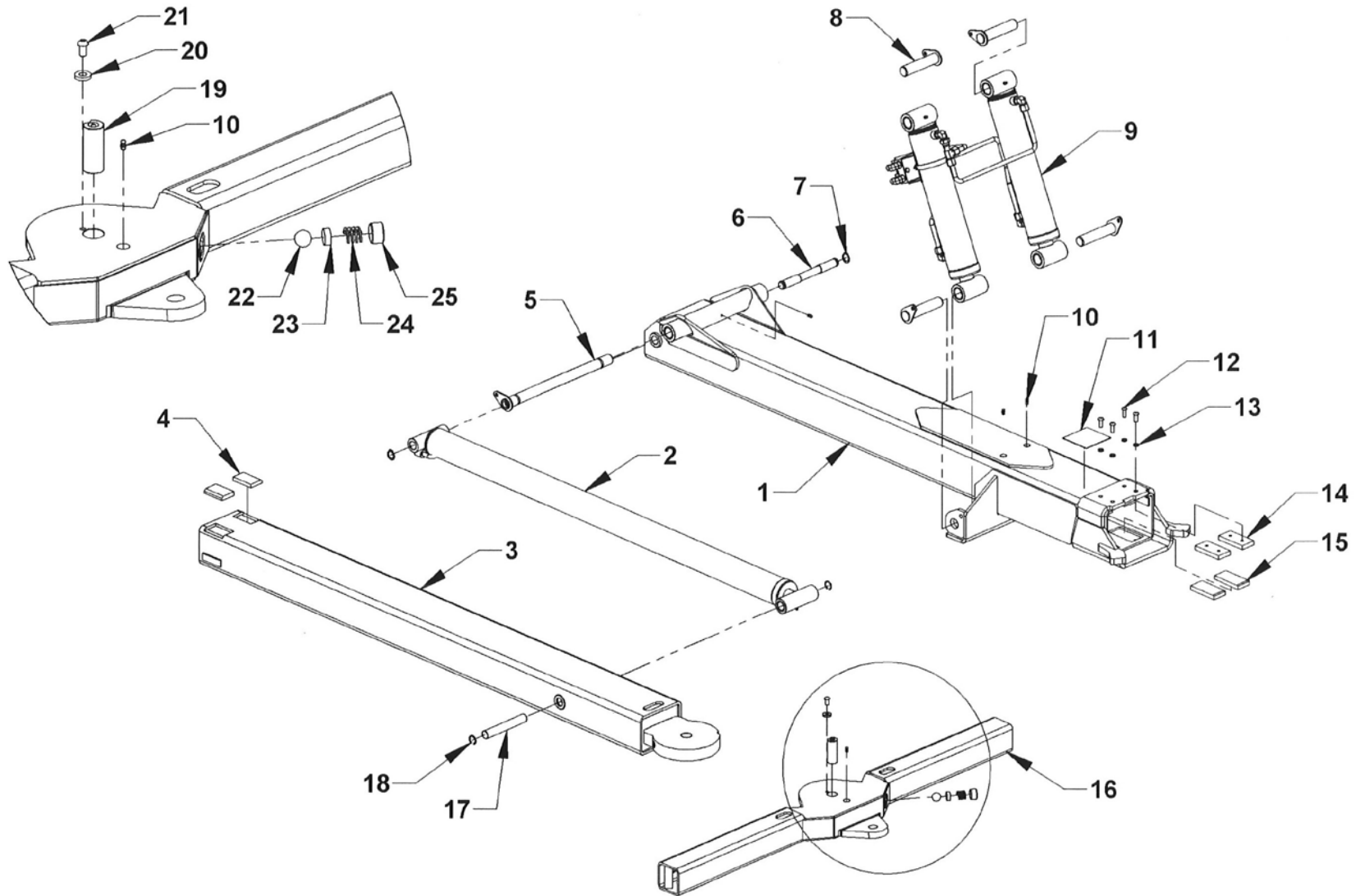
Section V - PARTS

TAIL LIGHT COMPONENTS

REF	QPU	PART NO.	DESCRIPTION
1	1	0809517L	TAIL LIGHT HOUSING WELDMENT - LH
2	1	0809517R	TAIL LIGHT HOUSING WELDMENT - RH
3	1	0751892L	12/16/20 LCG TAIL LIGHT HOUSING BEZEL - LH G2
4	1	0751892R	12/16/20 LCG TAIL LIGHT HOUSING BEZEL - RH G2
5	2	0750672	WORK LIGHT MOUNTING BRACKET
6	2	0311516	2-1/2 IN. MARKER LIGHT GROMMET
7	2	0311512	2-1/2 IN. RED MARKER LIGHT
8	4	0311503	6 IN. OVAL GROMMET
9	4	0311498	6 IN. OVAL RED LIGHT
10	2	0311511	CARRIER TAIL LIGHT GROMMET
11	2	0311510	CARRIER BACK UP LIGHT
12	1	0311528	BACK UP ALARM GROMMET
13	1	0306385	BACK UP ALARM
14	1	0311525	LICENSE PLATE LIGHT
15	2	0306113	TAIL LIGHT WIRE GROMMET
16	4	0400126	BOLT, HHCS 3/8-16 UNC x 1
17	14	0402111	LOCK WASHER - 1/4 SAE SS
18	12	0400071	SCREW 1/4-20 UNC x 3/4 RD HD PHIL SS
19	12	0400371	"U" NUT 1/4-20 UNC
20	8	0403053	BOLT, CARRIAGE 3/8-16 UNC x 1-1/4 SS
21	12	0402121	LOCK WASHER - 3/8 SAE SS
22	12	0402122	HEX NUT 3/8-16 UNC SS
23	2	0402021	BOLT, HHCS 1/4-20 UNC x 1 SS
24	2	0403052	NYLON LOCK NUT 1/4-20 UNC SS
25	4	0402110	FLAT WASHER 1/4 SAE SS
26	2	0400366	JAM NUT 1/4-20 UNC

Section V - PARTS

4,000 LB.WHEEL LIFT
GEN 2 LCG



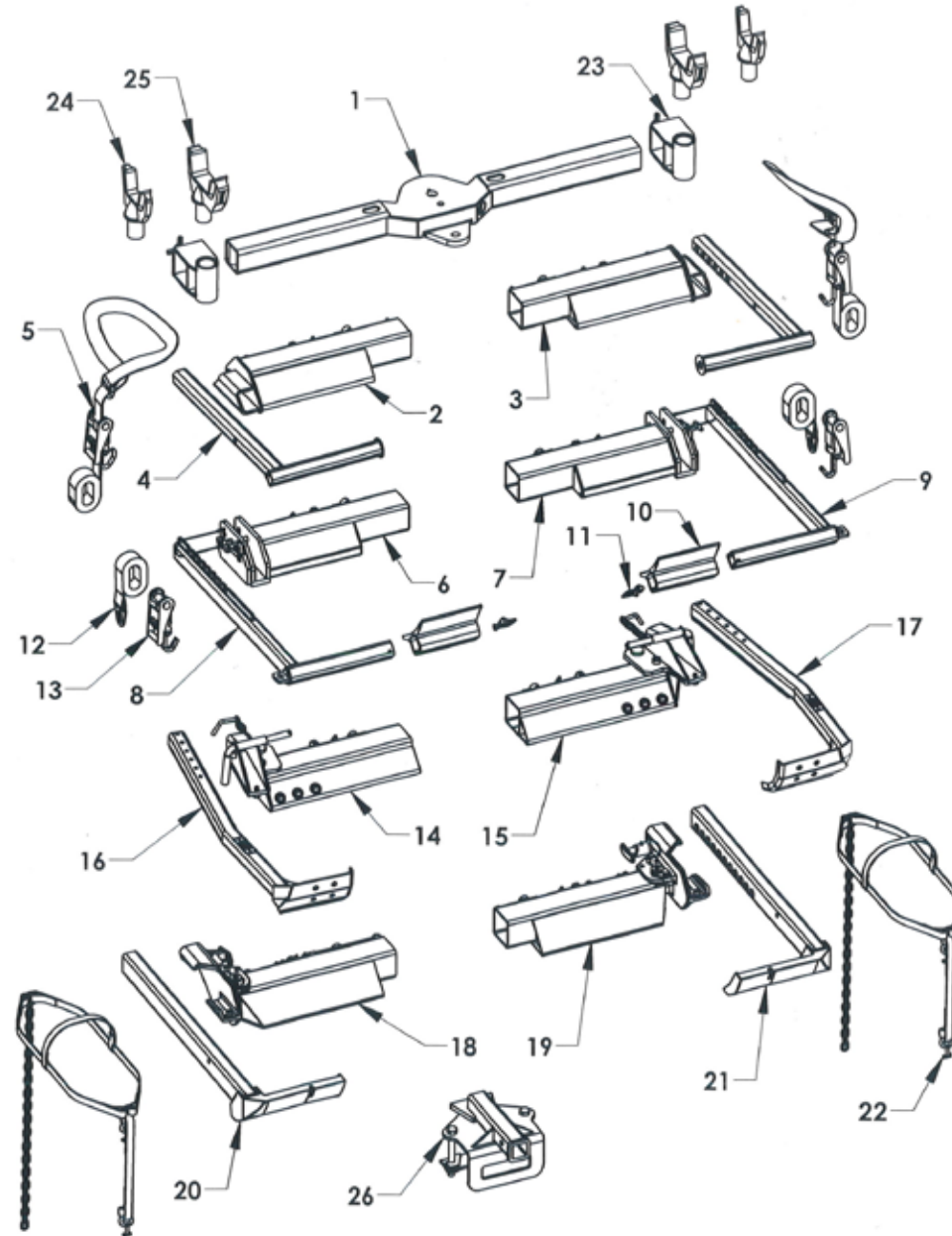
Section V - PARTS

4,000 LB. WHEEL LIFT - GEN 2

REF. NO.	NO. REQ'D	PART NUMBER	DESCRIPTION
1	1	10270408	UNDERLIFT OUTER BOOM TUBE - 4K
2	1	72A30054	UNDERLIFT EXTEND CYLINDER 3.0 x 54
3	1	0811159	UNDERLIFT INNER BOOM TUBE 4K
4	2	65613	WEAR PAD 1/2 x 2 x 3
5	1	0809411U	WHEEL LIFT BOOM HINGE PIN
6	1	729352	PIN-CARRIER W/L EXTEND CYLINDER BASE
7	2	86100E	SNAP RING 1" EXTERNAL
8	4	14710	KEEPER PIN 1.23 x 4.50
9	1	72A33013G	UNDERLIFT CYLINDER FLUID TUBE GROUP
10	4	0300113	GREASE FITTING 1/4-28
11	1	0540041	UNDERLIFT RATING PLATE 4K
12	4	0403139	BOLT BHCS 3/8-16 UNC x 1
13	4	0400482	LOCK WASHER 3/8
14	2	63595H	WEAR PAD NYLATRON NSM 1/2 x 2 x 4 W/HOLES
15	2	63595	WEAR PAD NYLATRON NSM 1/2 x 2 x 4
16	1	0811160	CROSSBAR 4K (3.5 x 3.5)
17	1	72940	CYLINDER PIN 0.980 x 6.625
18	2	86100I	SNAP RING 1" INTERNAL
19	1	0940433	CROSSBAR PIVOT PIN
20	1	0720463	WASHER PIVOT PIN RETAINER 3/8
21	1	0403004	BOLT BHSC 3/8-16 UNC x 3/4
22	1	0308129	DETENT BALL 1"
23	1	07003396	SPACER CROSSBAR DETENT
24	1	0308131	SPRING CROSSBAR DETENT
25	1	0308130	PLUG CROSSBAR DETENT

Section V - PARTS

WHEEL-LIFT CROSSBAR ATTACHMENTS



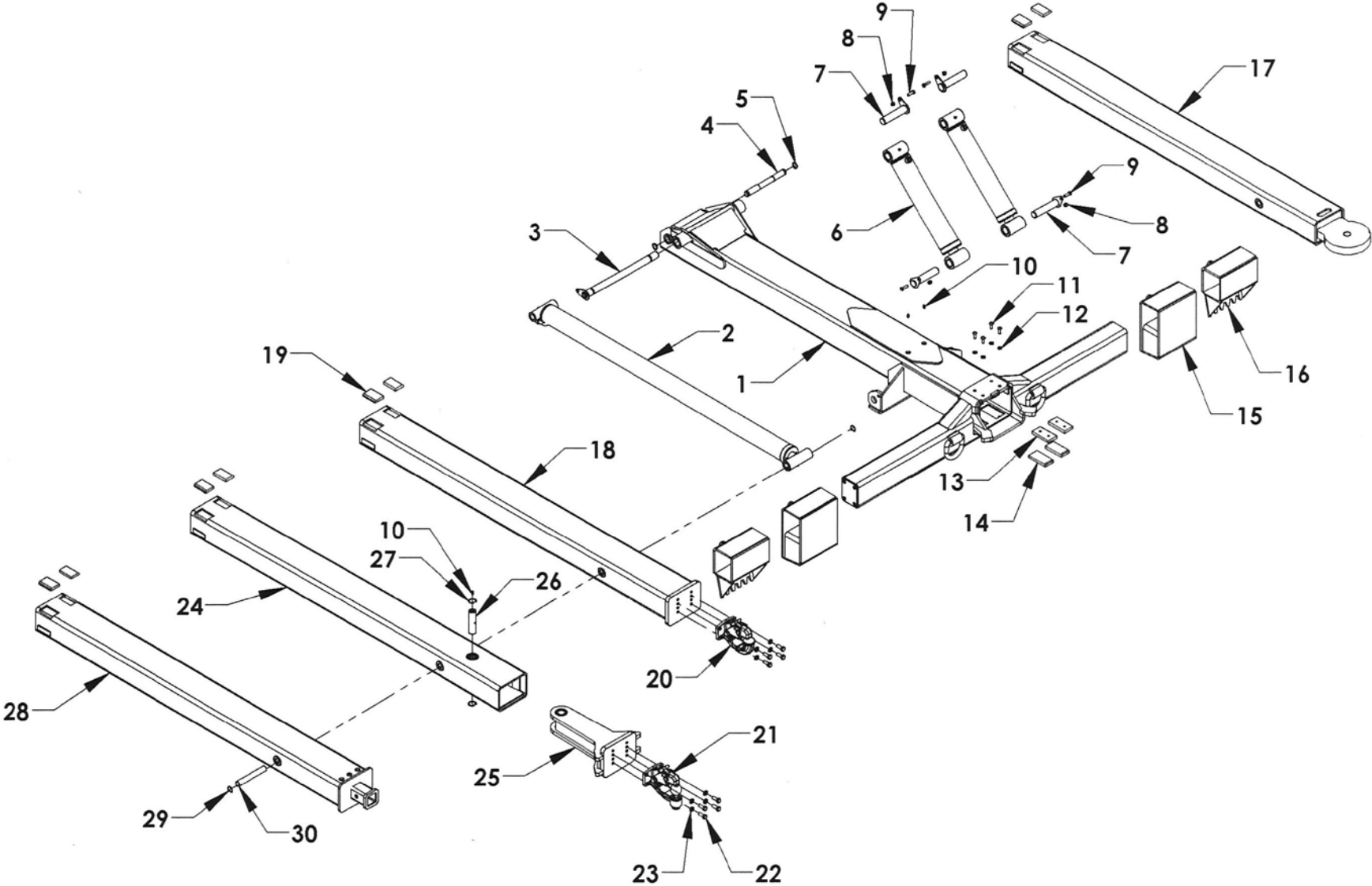
Section V - PARTS

WHEEL LIFT CROSSBAR ATTACHMENTS

REF NO.	NO REQ'D	PART NUMBER	DESCRIPTION
1	1	0811160	CROSSBAR 4K (3.5 x 3.5)
2	1	0809283L	4-INCH WHEEL GRID - LH
3	1	0809283R	4-INCH WHEEL GRID - RH
4	2	08006748	STEEL L-ARM 4000 LB
5	2	0308664	STRAP AND RATCHET PIVOT ASSEMBLY
6	1	0940434L	WHEEL GRID (DROP-IN L-ARM) - LH
7	1	0940434R	WHEEL GRID (DROP-IN L-ARM) - RH
8	1	65250L	4000 LB L-ARM - LH
9	1	65250R	4000 LB L-ARM - RH
10	2	65245	REMOVABLE PAN (CHEVRON)
11	2	84911	SAFETY PIN, 5/16 (CHEVRON)
12	2	65285	WHEEL STRAP WITH D-RING
13	2	65280A	RATCHET AND HOOK
14	1	8800800	LH WHEEL GRID
15	1	8800900	RH WHEEL GRID
16	1	8700190	LH WHEEL RETAINER
17	1	8700180	RH WHEEL RETAINER
18	1	0909499L	WHEEL GRID 3WP - LH
19	1	0909499R	WHEEL GRID 3WP - RH
20	1	0803648	3-WAY PIVOT L-ARM - LH
21	1	0803649	3-WAY PIVOT L-ARM - RH
22	2	0902382	1 INCH NYLON POLY COAT BASKET STRAP
	2	65287	BASKET TIRE STRAP - MEDIUM-LARGE, BLUE
23	2	65460	3-1/2 INCH FORK HOLDER
24	2	663530	FRAME FORK, 3 INCH CAST
25	2	663545	FRAME FORK SHORT, 4-1/2 INCH CAST
26	1	0940458	REESE HITCH RECEIVER, COMMON GEN2

Section V - PARTS

4,000 LB. UNDERLIFT
GEN 2 LCG



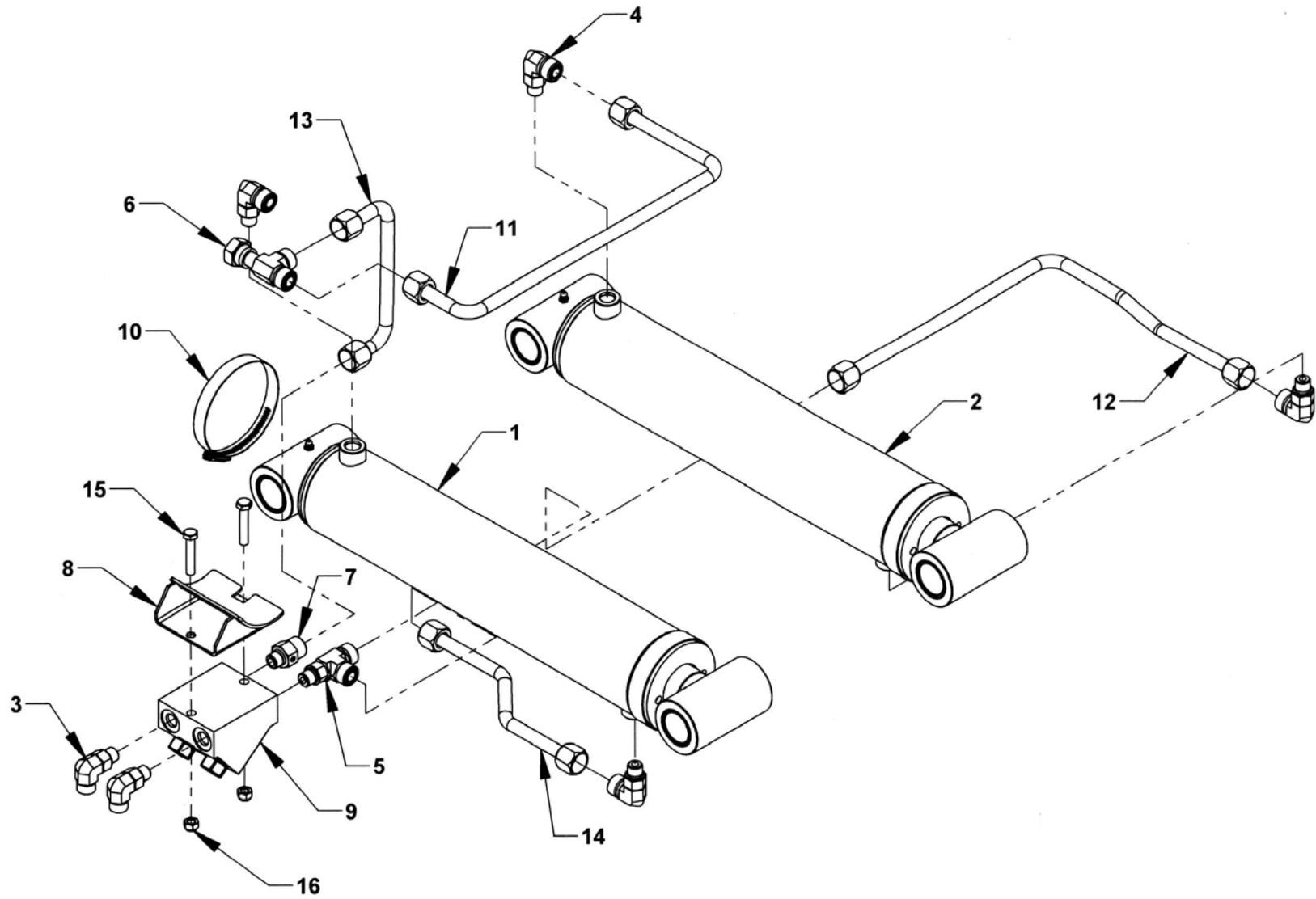
Section V - PARTS

4,000 LB. UNDERLIFT - GEN 2

REF. NO.	QTY	PART NUMBER	DESCRIPTION
1	1	10270408DS	WHEEL LIFT OUTER BOOM TUBE
2	1	72A30054	WL EXTEND CYLINDER 3.0 BORE x 54 STROKE
3	1	0809411U	WHEEL LIFT BOOM HINGE PIN
4	1	729352	PIN - WHEEL LIFT EXTEND CYLINDER BASE
5	2	86100E	SNAP RING 1" EXTERNAL
6	2	72A33013	LIFT CYLINDER 3.25 BORE x 13 STROKE
7	4	14710	KEEPER PIN 1.23 x 4.50
8	4	0400392	NYLON LOCK NUT 3/8-16 UNC
9	4	0400122	BOLT, HHCS 3/8-16 UNC x 1-1/4
10	3	7B130	GREASE FITTING 1/4-28
11	4	0403139	BOLT, BHCS 3/8-16 UNC x 1
12	4	0400482	LOCK WASHER 3/8
13	2	63595H	WEAR PAD NYLATRON NSM 1/2 x 2 x 4 W/HOLES
14	2	63595	WEAR PAD NYLATRON NSM 1/2 x 2 x 4
15	2	0809898-54	DOCK STABILIZER EXTENSION STAND (OPT)
16	2	0809646-54	DOCK STABILIZER SPADE (OPT)
17	1	0811159	4K INNER BOOM TUBE
18	1	10244P	4K INNER PINTLE BOOM TUBE
19	2	65613	WEAR PAD 1/2 x 2 x 3 NSM BEVELED
20	1	A3020H	PINTLE HOOK ATTACHMENT
21	1	A3020	PINTLE BALL ATTACHMENT
22	4	0400177	BOLT, HEX 1/2-13 UNC x 1-1/4
23	4	0400491	WASHER 1/2 LOCK
24	1	102404-PP	4K INNER BOOM-PIVOTING PINTLE
25	1	143355	PIVOTING PINTLE HEAD WELDMENT - 4K
26	1	143142PP	PIN - PIVOTING PINTLE HEAD 4K
27	2	86125I	SNAP RING 1-1/4 INTERNAL
28	1	10244R	4K INNER BOOM - REESE RECEIVER
29	2	86100I	SNAP RING 1" INTERNAL
30	1	72940	CYLINDER PIN

Section V - PARTS

UNDERLIFT CYLINDER FLUID TUBE GROUP



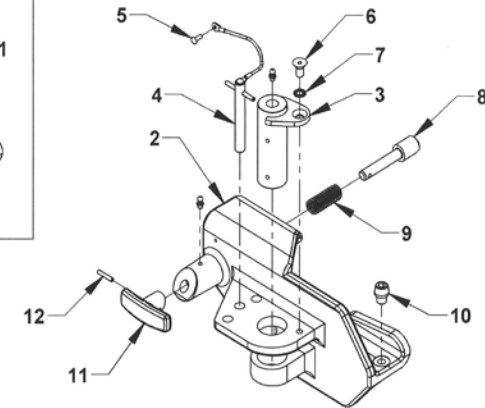
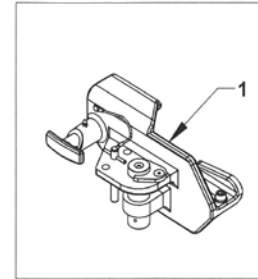
Section V - PARTS

UNDERLIFT CYLINDER FLUID TUBE GROUP

REF. NO.	QTY	PART NUMBER	DESCRIPTION
1	1	72A33013	LIFT CYLINDER 3.25 x 1.75 x 13.00
2	1	72A39013	LIFT CYLINDER 3.25 x 1.75 x 13.00
3	2	ADPTR-FF1868T0606S	ADAPTER 90 ORS/ORB 6 x 6
4	4	ADPTR-FF1868T0806S	ADAPTER 90 ORS/ORB 8 x 6
5	1	ADPTR-FF1865T0806S	ADAPTER TEE ORS/ORB 8 x 8 x 6
6	1	ADPTR-FF2114T0808S	ADAPTER TEE ORS 8 x 8
7	1	ADPTR-FF1852T0806	ADAPTER STRAIGHT ORS/ORB 8 x 6
8	1	0809875-325	UNDERLIFT VALVE MOUNTING BRACKET
9	1	74345	DUAL COUNTERBALANCE VALVE CBCG-XVN
10	1	85164	HOSE CLAMP 3-3.5 STAINLESS 316
11	1	72A33013L2	UNDERLIFT FLUID TUBE ASSEMBLY - LH
12	1	72A33013L1	UNDERLIFT FLUID TUBE ASSEMBLY - LH
13	1	72A33013R2	UNDERLIFT FLUID TUBE ASSEMBLY - RH
14	1	72A33013R1	UNDERLIFT FLUID TUBE ASSEMBLY - RH
15	2	0400824	BOLT HHCS 5/16-18 UNC x 1-3/4 GR5 ZINC
16	2	0400382	NYLON LOCK NUT 5/16-18 UNC GR5 ZINC

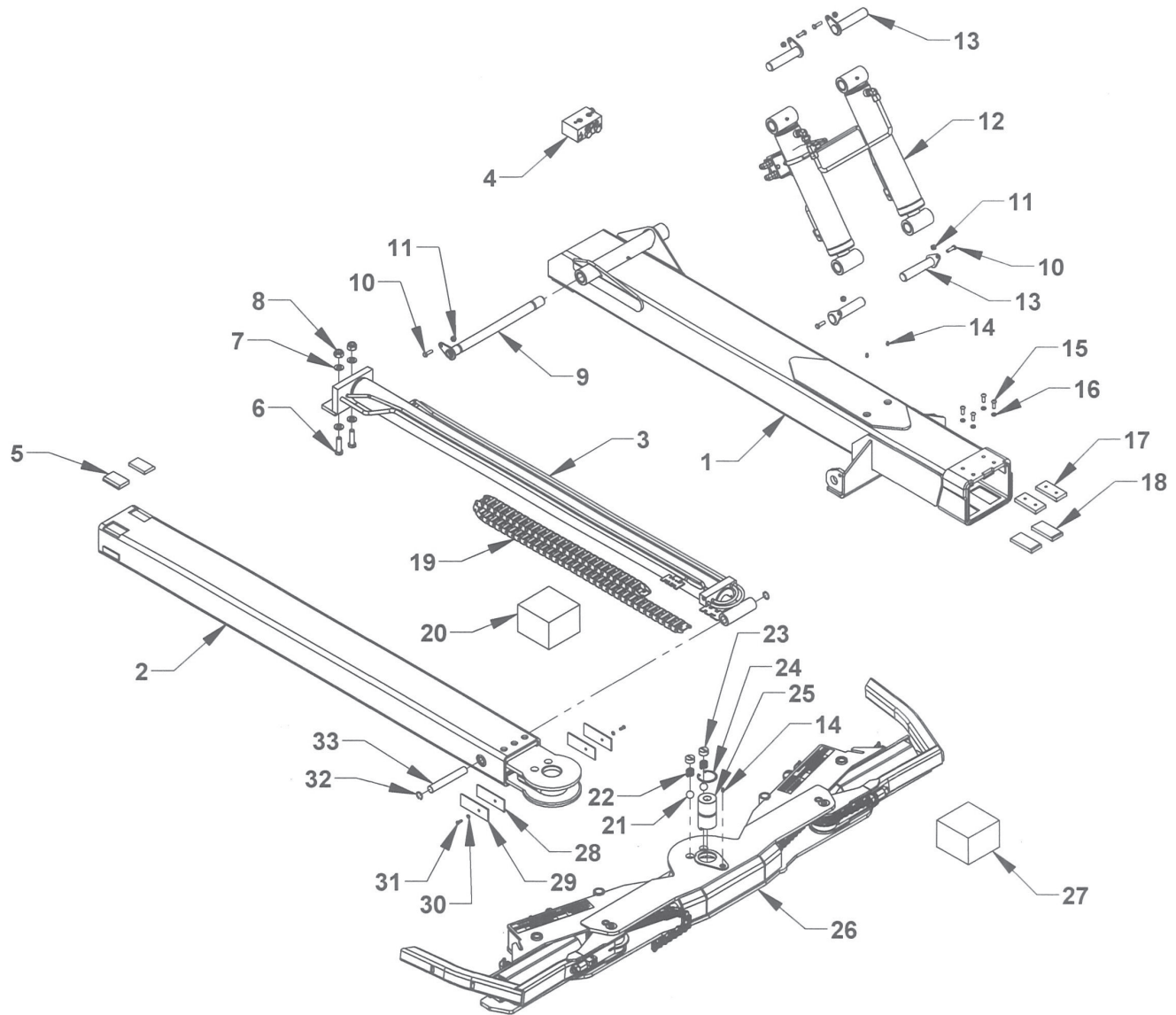
Section V - PARTS

PIVOT L-ARM RECEIVER GROUP



REF. NO.	NO. REQ'D	PART NUMBER	DESCRIPTION
1	1	09007328L	PIVOT L-ARM RECEIVER GROUP-LH
		09007328R	PIVOT L-ARM RECEIVER GROUP-RH
2	1	0719079	PIVOT L-ARM RECEIVER CASTING-LH
		0719080	PIVOT L-ARM RECEIVER CASTING-RH
3	1	0802187	L-ARM RECEIVER CASTING PIVOT PIN
4	1	0904744	PIN ASSEMBLY
	1	0714415	PIVOT LOCK PIN
	1	0303918	LANYARD
	1	0400044	DRIVE SCREW #10-24 x 1/2 ROUND HEAD
5	1	0400044	DRIVE SCREW #10-24 x 1/2 ROUND HEAD
6	1	0400349	SCREW 3/8-16 x 1/2 FHSC
7	1	0400481	LOCK WASHER 3/8 EXTERNAL TOOTH
8	1	0707505	7/8 CAM PIN
9	1	0302641	CAM PIN SPRING
10	1	0712933	SCREW 1/2-13 x 1/2 TAPERED SOCKET CAP
11	1	0302648	T-HANDLE
12	1	0400559	ROLL PIN 3/16 -1

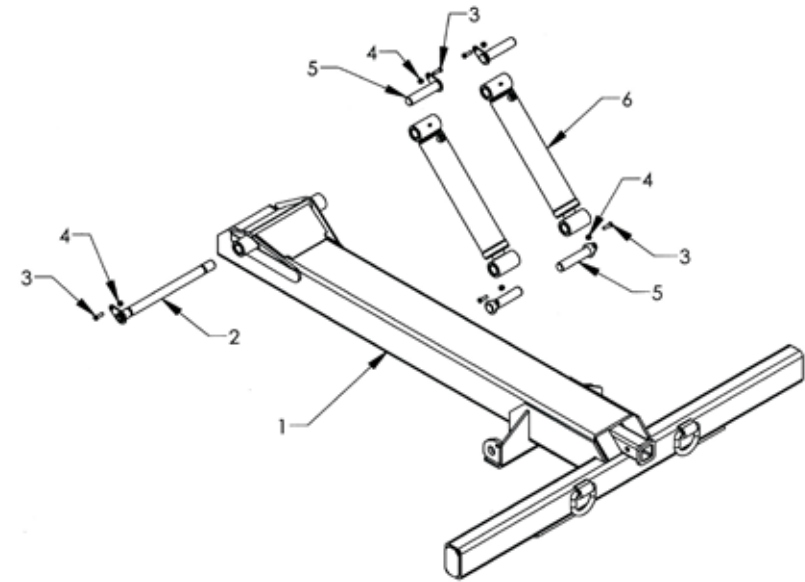
Section V- PARTS
AUTOGRIP WHEEL LIFT



Section V- PARTS
AUTOGRIP WHEEL LIFT

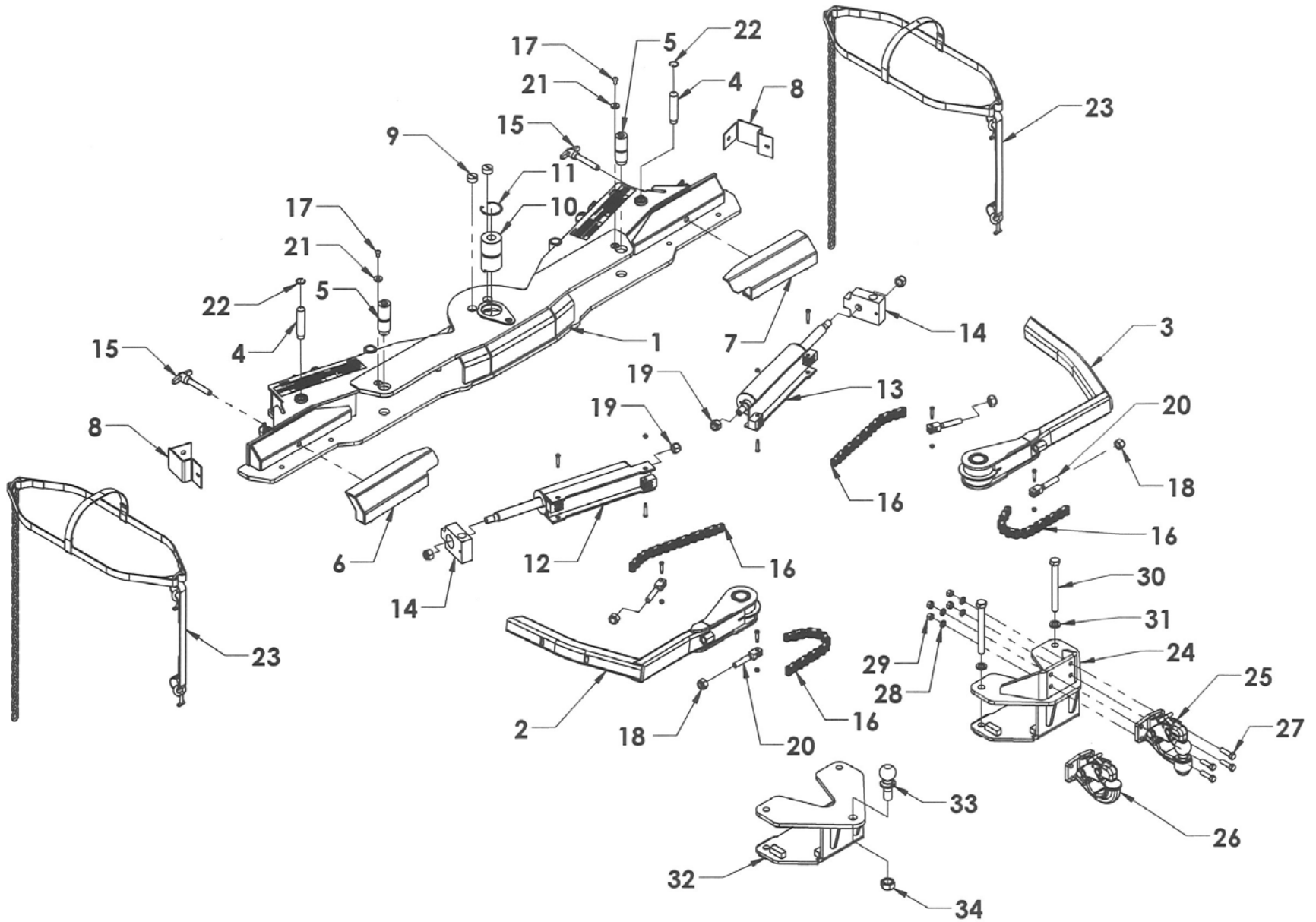
REF NO.	NO REQ'D	PART NUMBER	DESCRIPTION
1	1	10270410	AUTOGRIP OUTER BOOM TUBE - GEN2 LCG 4K
2	1	102522	AUTOGRIP INNER TUBE GEN2
3	1	72136	AUTOGRIP EXTEND CYLINDER - CARRIER
4	1	74341	FLOW DIVIDER COUNTER BALANCE VALVE
5	2	65613	WEAR PAD 1/2 x 2 x 3 NSM BEVELED
6	2	0403141	BOLT HHCS 5/8-11 UNC x 2-1/4
7	4	0400505	FLAT WASHER 5/8
8	2	0400426	NYLON LOCK NUT 5/8-11 UNC
9	1	0809411U	WHEEL LIFT BOOM HINGE PIN
10	5	0400122	BOLT, HHCS 3/8-16 UNC x 1-1/4
11	5	0400392	NYLON LOCK NUT 3/8-16 UNC
12	2	72A33013	LIFT CYLINDER 3.25 x 1.75 x 13.00
13	4	14710	KEEPER PIN 1.23 x 4.50
14	2	0300113	GREASE FITTING 1/4-28 UNF
15	4	0403139	BOLT, BHCS 3/8-16 UNC x 1
16	4	0400482	LOCK WASHER 3/8"
17	2	63595H	WEAR PAD NYLATRON NSM 1/2 x 2 x 4 WITH HOLES
18	2	63595	WEAR PAD NYLATRON NSM 1/2 x 2 x 4
19	1	69757	AUTOGRIP HOSE TRACK 58 LINKS
20	1	75048	HOSE KIT IGUS TRACK
21	2	0308129	BALL CHROME 1" GRADE 16/25
22	2	0300066	AUTOGRIP DETENT SPRING GEN2
23	2	643272	AUTOGRIP DETENT SCREW GEN2
24	1	86250I	SNAP RING 2-1/2" INTERNAL
25	1	644402	AUTOGRIP CROSSBAR PIVOT PIN GEN2
26	1	644002CG	AUTOGRIP CROSSBAR GEN2
27	1	75048C	HOSE KIT ARM CYLINDERS
28	2	64304R	RUBBER GASKET FOR 64304C
29	2	64304C	HOSE CLAMP FOR SIDE OF AUTOGRIP II YOKE
30	2	0400452	LOCK WASHER 1/4"
31	2	0403142	BOLT, BUTTON HEAD 1/4-20 x 3/4
32	2	86100I	SNAP RING 1" INTERNAL
33	1	72940	CYLINDER PIN 0.980 x 6-5/8

Section V - PARTS
DOCK STABILIZER



REF NO.	NO REQ'D	PART NUMBER	DESCRIPTION
1	1	0810010-12	DOCK STABILIZER WELDMENT
2	1	0809411U	WHEEL LIFT BOOM HINGE PIN
3	5	0400122	BOLT HHCS, 3/8-16 UNC x 1-1/4
4	5	0400392	NYLON LOCK NUT, 3/8-16 UNC
5	4	14710	KEEPER PIN 1.23 x 5.50
6	2	72A33013	LIFT CYLINDER 3/25 x 1.75 x 13.0

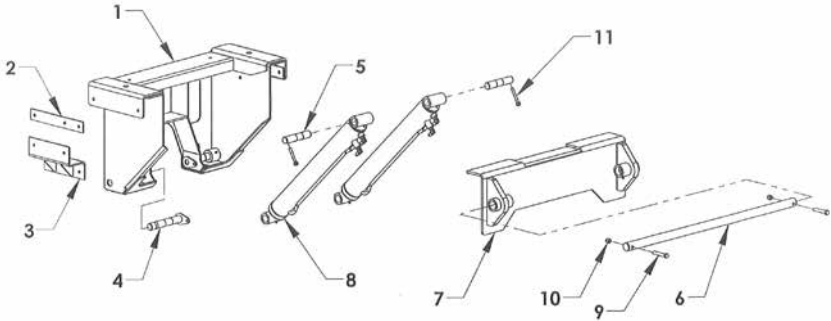
Section V - PARTS
AUTOGRIP II COMPONENTS



Section V - PARTS
AUTOGRIP II COMPONENTS

REF NO.	NO REQ'D	PART NUMBER	DESCRIPTION
1	1	644002	CROSSBAR WELDMENT
2	1	644352L	WHEEL RETAINER - LH
3	1	644352R	WHEEL RETAINER - RH
4	2	644432	WHEEL RETAINER CYLINDER PIN
5	2	644452	ARM PIVOT PIN
6	1	697402L	WHEEL SPACER - LH
7	1	697402R	WHEEL SPACER - RH
8	2	644292	HOSE GUARD
9	2	64327	SCREW-PLUG CROSSBAR DETENT
10	1	644402	CROSSBAR PIN
11	1	862501	SNAP RING 2.500 INCH INTERNAL
12	2	720152L	WHEEL RETAINER CYLINDER - LH
13	2	720152R	WHEEL RETAINER CYLINDER - RH
14	2	727162	L-ARM CYLINDER END BLOCK
15	2	84921	T-PIN 5/8 x 3
16	4	87440	AUTOGRIP ARM CHAIN
	4	0403163	5/16 x 1-1/4 SHOULDER SHCS 1/4-20 UNC
	4	0400367	1/4-20 UNC NYLON LOCK NUT
17	2	0403161	3/8-15 x 5/8 ALLEN BOLT
18	4	0400421	5/8-11 NYLON LOCK NUT
19	2	0400430	3/4-10 NYLON LOCK NUT
20	4	64441	CHAIN CLEVIS
	4	0403164	5/16 x 1 SHOULDER SHCS 1/4-20 UNC
	4	0400367	1/4-20 UNC NYLON LOCK NUT
21	2	0400480	5/16 FLAT WASHER
22	2	861001	SNAP-RING 1.000 INCH INTERNAL
23	2	0902382	1 INCH NYLON POLY-COAT BASKET STRAP
	2	65287	BASKET TIRE STRAP - MEDIUM-LARGE BLUE
24	1	694520	AUTOGRIP PINTLE ADAPTOR (OPTIONAL)
25	1	174017159	PINTLE BALL ATTACHMENT (OPTIONAL)
26	1	174017156	PINTLE HOOK ATTACHMENT (OPTIONAL)
27	4	0403058	BOLT, HHCS 1/2-13 UNC x 1-3/4
28	4	0400491	LOCK WASHER, 1/2
29	4	0400407	HEX NUT 1/2-13 UNC
30	2	0403097	BOLT, HHCS 3/4-10 UNC x 6-1/2
31	2	0403082	LOCK WASHER 3/4
32	1	694510	AUTOGRIP TOWBALL ADAPTOR (OPTIONAL)
33	1		TOWBALL
34	1	83711	NUT 1.000 RAMCO LOCK

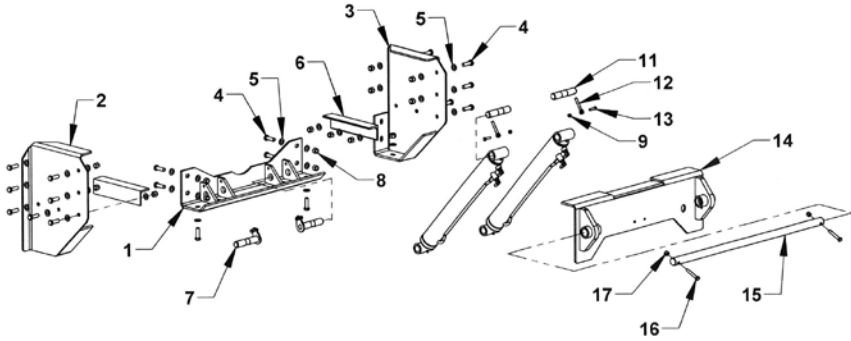
Section V - PARTS INBOARD TILT CYLINDERS



REF	PART #	DESCRIPTION	QPU
1	1A8002	INBOARD SADDLE	1
2	1A821S	SADDLE SHIM	2
3	1A925	FRAME MOUNTING BRACKET	2
4	1A828A	INBOARD SADDLE TILT PIN	2
5	13068	PIN - TILT CYLINDER BASE	2
6	0750952	HINGE PIN - 1-1/2 x 41-3/8	1
7	0809533	HINGE ANGLE	1
8	721092	CYLINDER - CARRIER TILT	2
9	0403159	BOLT 1/2-20 UNF x 3 GRADE 5	2
10	0403160	NYLON LOCK NUT 1/2-20 UNF	2
11	84680	PIN EYE	2

Section V - PARTS

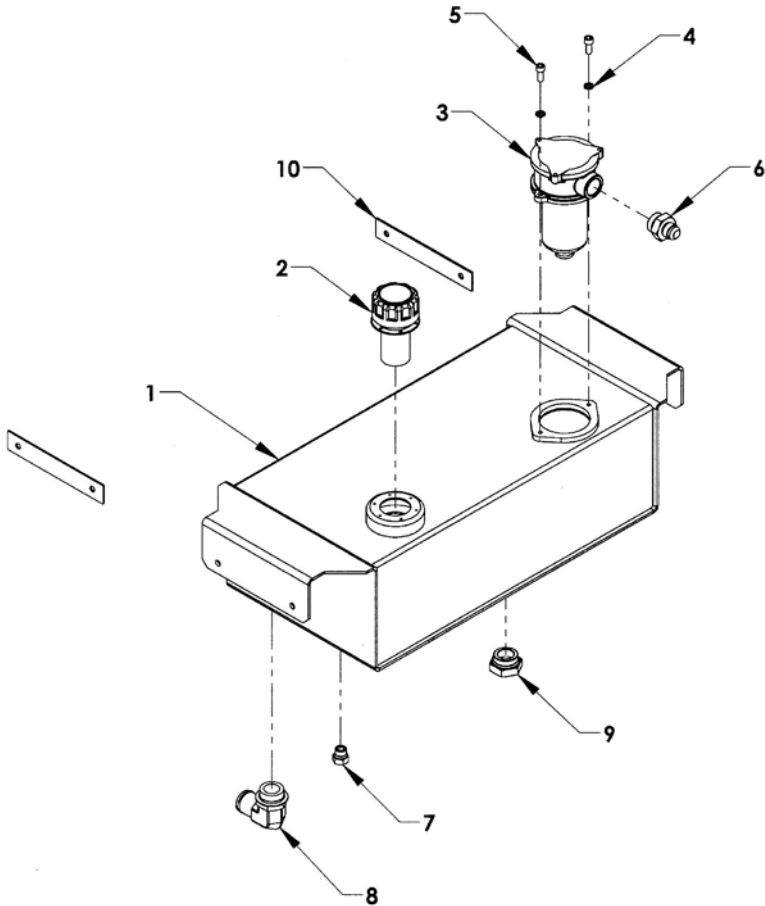
12 LCG INBOARD TILT CYLINDERS OUTBOARD SADDLES (OPTIONAL)



REF	QTY	PART #	DESCRIPTION
1	1	1A560	SADDLE CONNECTING ANGLE
2	1	1A540L	OUTBOARD SADDLE, LH
3	1	1A540R	OUTBOARD SADDLE, RH
4	20	0400274	BOLT, HHCS 5/8-11 UNC x 2
5	40	0400505	FLAT WASHER 5/8
6	2	1A743	SADDLE MOUNTING ANGLE
7	2	1A525	OUTBOARD SADDLE TILT PIN
8	20	0400421	5/8-11 NYLOCK NUT Z
9	4	0400392	NYLON LOCK NUT 3/8-16 UNC
10	2	721092	TILT CYLINDER 3 BORE x 23 STROKE
11	2	13068	PIN - TILT CYLINDER BASE
12	2	84680	PIN EYE
13	4	0400132	BOLT, HHCS 3/8-16 UNC x 1-1/2
14	1	0809533	HINGE ANGLE
15	1	0750952	HINGE PIN - 1-1/2 x 41-3/8
16	2	0403159	BOLT, HHCS 1/2-20 x 3 Z
17	2	0403160	NYLON LOCK NUT 1/2-20 UNC

Section V - PARTS

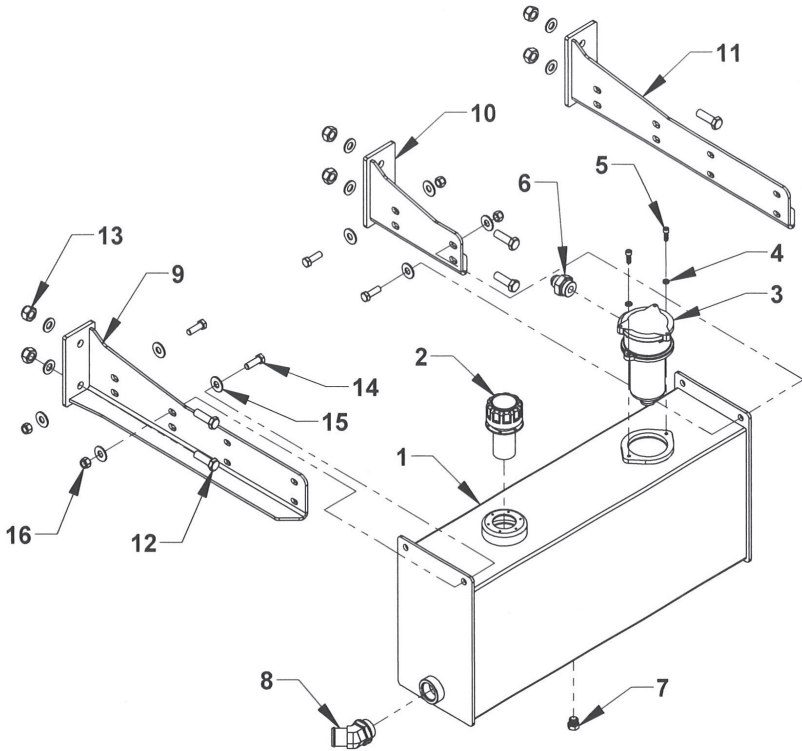
INBOARD OIL RESERVOIR GROUP



REF. NO.	NO. REQ'D	PART NUMBER	DESCRIPTION
1	1	763100	INBOARD OIL RESERVOIR WELDMENT
2	1	76213	FILLER BREATHER CAP
3	1	76270	FILTER ASSEMBLY
	1	76271	REPLACEMENT FILTER ELEMENT
4	2	0400464	LOCK WASHER 5/16 ZP
5	2	04001427	BHCS 5/16-18 UNC x 7/8 SS
6	1	779A7	ADAPTOR 202702-16 x 12
7	1	03006085	ADAPTOR 900598-8 (DRAIN PLUG)
8	1	77C92	20 x 24 SUCTION HOSE FITTING 90°
9	1	0403111	ADAPTOR 900598-20 (DRAIN PLUG)
10	2	763106	FRAME WIDTH SHIM

Section V - PARTS

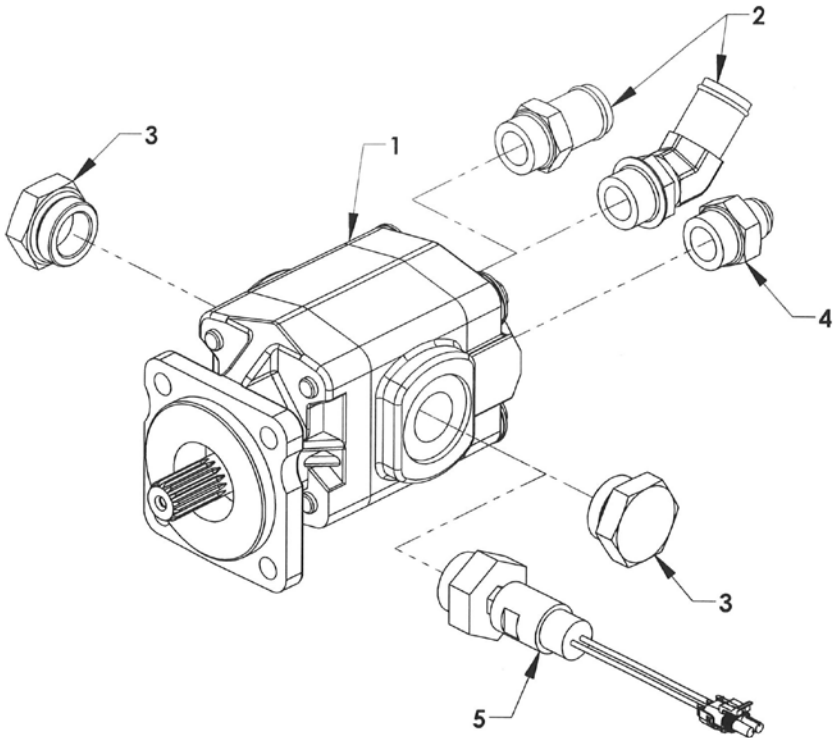
14 GAL. OUTBOARD OIL TANK GROUP



REF	QTY	PART #	DESCRIPTION
1	1	762110	14 GAL. OUTBOARD OIL TANK WELDMENT
2	1	76213G	FILLER BREATHER CAP ASSEMBLY
3	1	76270	FILTER ASSEMBLY
	1	76271	REPLACEMENT FILTER ELEMENT
4	2	0402118	LOCK WASHER 5/16 SS
5	2	04001427	BHCS SCHS 5/16-18 UNC x 7/8 SS
6	1	0301368	ADAPTOR 202702 16 x 12
7	1	03006085	ADAPTOR 900598-8 (MAGNETIC DRAIN PLUG)
8	1	03006341	20 x 24 SUCTION HOSE FITTING 45°
9	1	37855R	TANK MTG. BRACKET - RH
	1	37858R	TANK MTG. BRACKET (SHORT) - RH
10	1	37858L	TANK MTG. BRACKET (SHORT) -LH
11	1	37855L	TANK MTG. BRACKET - LH
12	6	0400274	BOLT 5/8-11 x 2 UNC GR8
13	6	0400426	NYLON LOCK NUT 5/8-11 UNC ZINC PLATED
14	6	0400181	BOLT 1/2-13 UNC x 1-1/2 GR5
15	8	0400492	FLAT WASHER 1/2 ZINC PLATED
16	4	0403100	NYLON LOCK NUT 1/2-13 UNC ZINC PLATED

Section V - PARTS

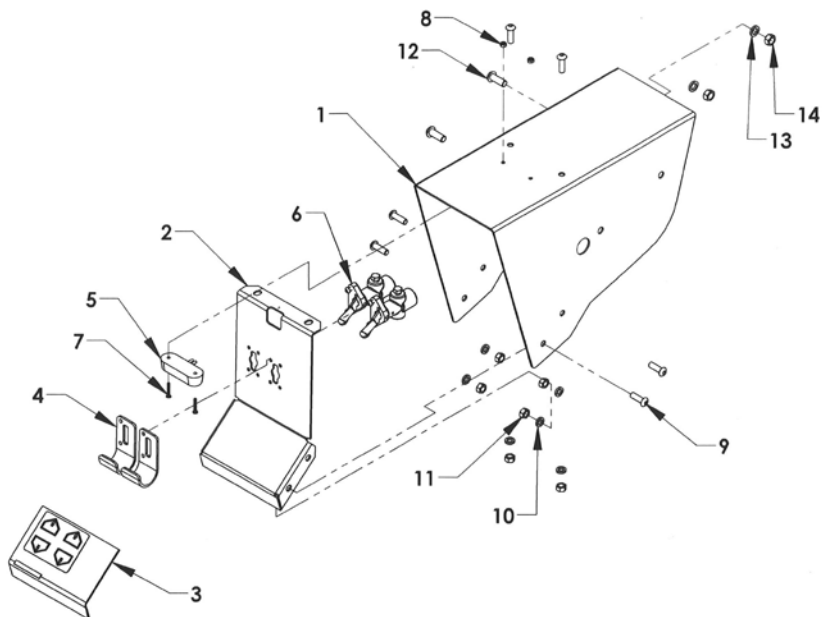
DIRECT MOUNT PUMP - 18 GPM



REF	PART #	DESCRIPTION	QPU
1	0320144	18 GPM , 1 IN.15 SPLINE SHAFT, SAE 4-BOLT FLANGE	1
2	03006339	#16-45 M O-RING x 1-1/4 M NIPPLE	1
3	77C82	#16 M O-RING x 1-1/4 M NIPPLE	1
3	77620	1-1/4 O-RING PLUG 900598-20	2
4	0301368	#16 M O-RING x 3/4 MJIC	1
5	0909434	PRESSURE TRANSDUCER (OPTIONAL)	1

Section V - PARTS

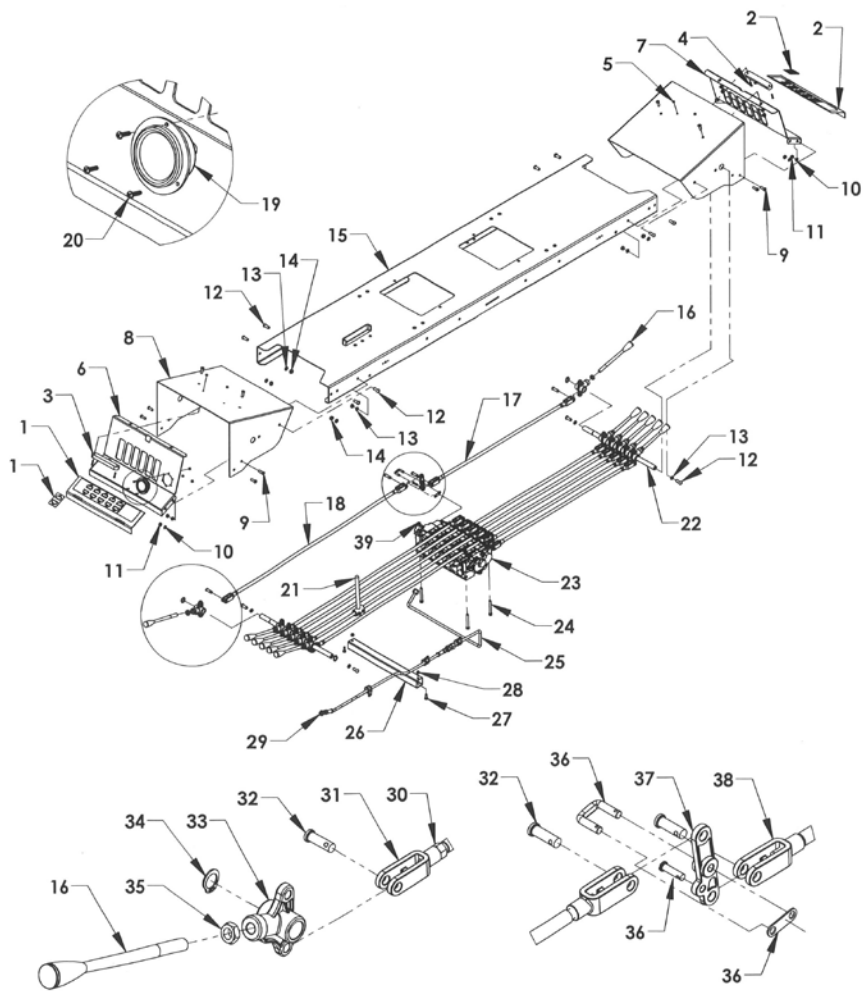
2 AIR VALVE CONTROL STATION



REF. NO.	NO. REQ'D	PART NUMBER	DESCRIPTION
1	1	0752655	2-TOGGLE AIR VALVE CONTROL HOOD
2	1	0752656L	2-TOGGLE AIR VALVE CONTROL PANEL - LH
	1	0752656R	2-TOGGLE AIR VALVE CONTROL PANEL - RH
3	1	18221L	2-TOGGLE AIR VALVE CONTROL PLACARD - LH
	1	18221R	2-TOGGLE AIR VALVE CONTROL PLACARD - RH
4	2	18145	TOGGLE AIR GUARD
5	1	0320161	CONTROL LIGHT
6	2	71716	TOGGLE AIR VALVE
7	2	04000281	SCREW PRH #6-32 UNC x 7/8 SS
8	2	0403147	NUT, NYLON #6-32 UNC SS
9	6	0403079	BOLT BHCS 5/16-18 UNC x 1 SS
10	6	0402118	LOCK WASHER 5/16 SS
11	6	0403074	NUT, NYLON 5/16-18 UNC SS
12	2	04001085	BOLT HHCS 3/8-16 UNC x 1 SS
13	2	0402121	LOCK WASHER 3/8-16 SS
14	2	0402122	NUT, NYLON 3/8-16 UNC

Section V - PARTS

6-SPOOL CONTROL STATION



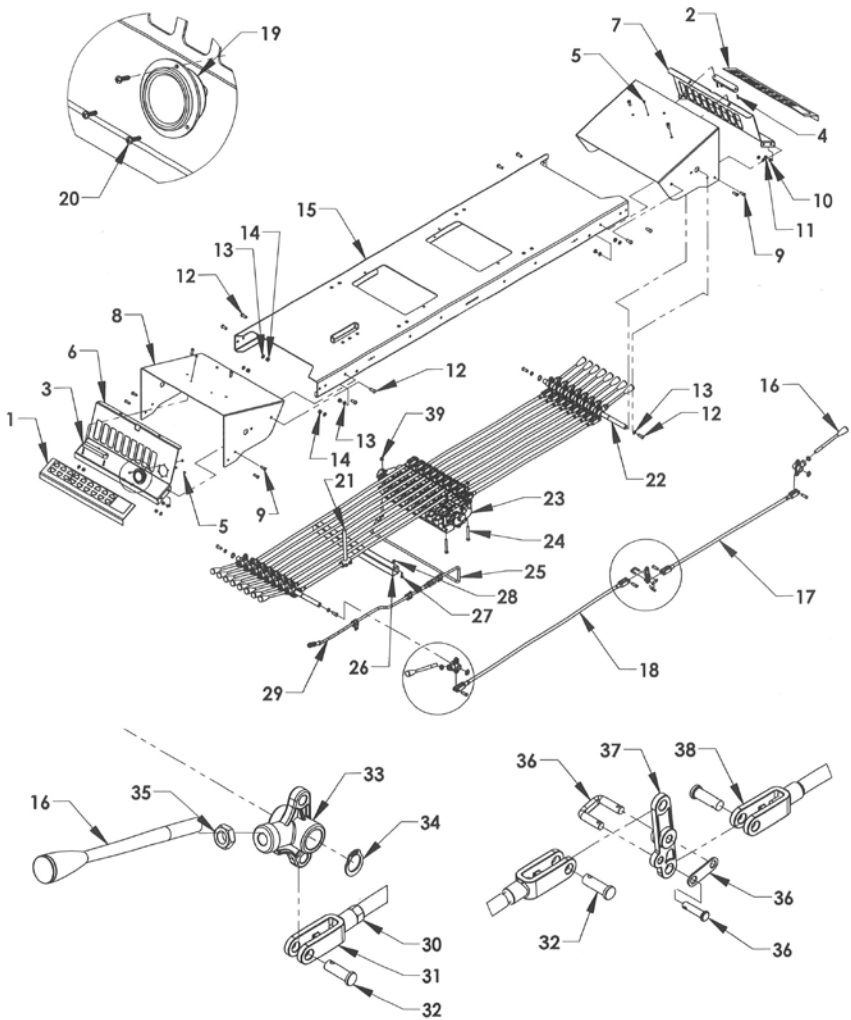
Section V - PARTS

6-SPOOL CONTROL STATION

REF. NO.	NO. REQ'D	PART NUMBER	DESCRIPTION
1	1	18212L	5 SPOOL/6 SPOOL CONTROL PLACARD-LH
	1	18237	CONTROL PLACARD AUTOGRIP OVERLAY
2	1	18212R	5 SPOOL/6 SPOOL CONTROL PLACARD-RH
	1	18237	CONTROL PLACARD AUTOGRIP OVERLAY
3	2	0320162	LED CONTROL STATION LIGHT - 6 IN.
4	4	04000281	SCREW, PHILLIPS #6-32 UNC x 7/8
5	7	04000262	NYLON LOCK NUT #6-32 SS
6	1	0752652L	CONTROL PANEL - LH
7	1	0752652R	CONTROL PANEL - RH
8	2	0752651	CONTROL HOOD
9	12	0403079	BHCS 5/16-18 UNC x 5/8
10	12	0402118	LOCK WASHER 5/16 SS
11	12	0403074	HEX NUT 5/16-18 UNC
12	12	04001085	BHCS 3/8-16 UNC x1 SS
13	12	0402121	LOCK WASHER 3/8 SS
14	8	0402122	NYLON LOCK NUT 3/8-16 UNC
15	1	181286W	CONTROL BOX ARM WELDMENT - 79.5 IN
16	6	0320048-GY	CONTROL HANDLE 8" - GRAY
	2	0320048-RD	CONTROL HANDLE 8" - RED
	4	0320048-BL	CONTROL HANDLE 8" - BLUE
17	6	7A528W	CONTROL ROD 28-1/2
18	6	7A538W	CONTROL ROD 37-3/4
19	1	0320157	PRESSURE GAUGE HYDRAULIC - 2 IN.
20	6	04000282	SCREW PHILLIPS #6-32 x 1/2
21	1	0809904	ANTI-TILT CONTROL ROD WELDMENT
22	2	7A5753-17	CONTROL HANDLE CROSS ROD 3/4 x 17
23	1	74116	VALVE BODY GRESEN 6 SPOOL
	1	74115	VALVE BODY GRESEN 5 SPOOL (COMMON)
24	3	0403169	HHCS 5/16-18 UNC x 2-3/4
25	1	0752718-5	CONTROL STATION GAUGE FLUID TUBE - 5 SP
	1	0752718-6	CONTROL STATION GAUGE FLUID TUBE - 6 SP
26	1	18335	CONTROL STATION WIRE TUBE - 6 SP
27	2	0400066	HHCS 1/4-20 UNC x 3/4
28	2	0400367	NYLON LOCK NUT 1/4-40 UNC
29	1	0320169	PRESSURE GAUGE HOSE
30	12	0403115	NUT 3/8-24 UNF RH
31	12	84530	CLEVIS - RH HAND THREAD
32	24	84620	CLEVIS PIN 3/8 x 1-1/8
33	12	7A1155	CONTROL HANDLE PIVOT BASE
34	4	86075E	SNAP RING 3/4 EXTERNAL
35	12	0400410	1/2-13 UNC JAM NUT ZP
36	6	7A010	CLEVIS PIN AND LINK ASSEMBLY
37	6	7A121	BELL CRANK
38	12	84540	CLEVIS - LH HAND THREAD
39	3	0400382	NYLON LOCK NUT 5/16-18 UNC

Section V - PARTS

9-SPOOL CONTROL STATION



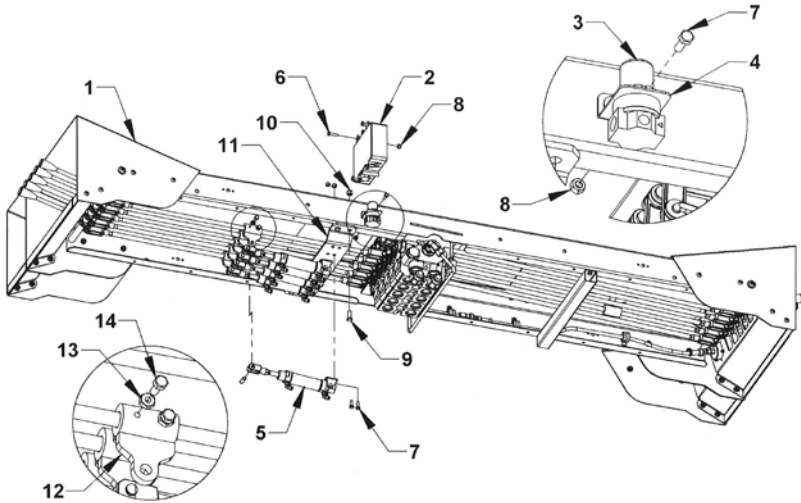
Section V - PARTS

9-SPOOL CONTROL STATION

REF. NO.	NO. REQ'D	PART NUMBER	DESCRIPTION
1	1	18219L	CONTROL PLACARD 4-CAR AUTOGRIP - LH
	1	18218L	CONTROL PLACARD 4-CAR CARRIER - LH
	1	18224L	CONTROL PLACARD SIDEPULLER OVERLAY - LH
	1	18235L	CONTROL PLACARD DUAL DECK - LH
	1	18236L	CONTROL PLACARD DUAL DECK AG OVERLAY-LH
2	1	18219R	CONTROL PLACARD 4-CAR AUTOGRIP - RH
	1	18218R	CONTROL PLACARD 4-CAR CARRIER - RH
	1	18224R	CONTROL PLACARD SIDEPULLER OVERLAY-RH
	1	18235R	CONTROL PLACARD DUAL DECK - RH
	1	18236R	CONTROL PLACARD DUAL DECK AG OVERLAY-RH
3	2	0320162	LED CONTROL STATION LIGHT - 6 IN.
4	4	04000281	SCREW, PHILLIPS #6-32 UNC x 7/8
5	7	04000262	NYLON LOCK NUT #6-32 SS
6	1	0752654L	CONTROL PANEL - LH
7	1	0752654R	CONTROL PANEL - RH
8	2	0752653	CONTROL HOOD
9	12	0403079	BHCS 5/16-18 UNC x 5/8
10	12	0402118	LOCK WASHER 5/16, SS
11	12	0403074	HEX NUT 5/16-18 UNC
12	12	04001085	BHCS 3/8-16 UNC x 1, SS
13	12	0402121	LOCK WASHER 3/8 SS
14	8	0402122	NYLON LOCK NUT 3/8-16 UNC
15	1	181289W	CONTROL BOX ARM WELDMENT - 79.5 IN
16	6	0320048-GY	CONTROL HANDLE 8" - GRAY
	4	0320048-RD	CONTROL HANDLE 8" - RED
	6	0320048-BL	CONTROL HANDLE 8" - BLUE
	2	0320048-GR	CONTROL HANDLE 8" - GREEN
17	9	7A528W	CONTROL ROD 28-1/2
18	9	7A538W	CONTROL ROD 37-3/4
19	1	0320157	PRESSURE GAUGE HYDRAULIC - 2 IN.
20	3	04000282	SCREW PHILLIPS #6-32 x 1/2
21	1	0809904	ANTI-TILT CONTROL ROD WELDMENT
22	2	7A5753-20	CONTROL HANDLE CROSS ROD 3/4 x 20-3/4
23	1	74118	VALVE BODY GRESEN 8-SPOOL
	1	74119	VALVE BODY GRESEN 9 SPOOL
24	3	0403169	HHCS 5/16-18 UNC x 2-3/4
25	1	0752718-8	CONTROL STATION GAUGE FLUID TUBE - 8 SP
	1	0752718-9	CONTROL STATION GAUGE FLUID TUBE - 9 SP
26	1	18336	CONTROL STATION WIRE TUBE - 9 SPOOL
27	2	0400366	HHCS 1/4-20 UNC x 3/4
28	2	0400367	NYLON LOCK NUT 1/4-20 UNC
29	1	0320169	PRESSURE GAUGE HOSE
30	18	0403115	NUT 3/8-24 UNF RH
31	18	84530	CLEVIS - RH THREAD
32	36	84620	CLEVIS PIN 3/8 x 1-1/8
33	18	7A1155	CONTROL HANDLE PIVOT BASE
34	4	86075E	SNAP RING 3/4 EXTERNAL
35	18	0400410	1/2-13 UNC JAM NUT ZP
36	9	7A010	CLEVIS PIN AND LINK ASSEMBLY
37	9	7A121	BELL CRANK
38	18	84540	CLEVIS - LH THREAD
39	3	0400382	NYLON LOCK NUT 5/16-18 UNC

Section V - PARTS

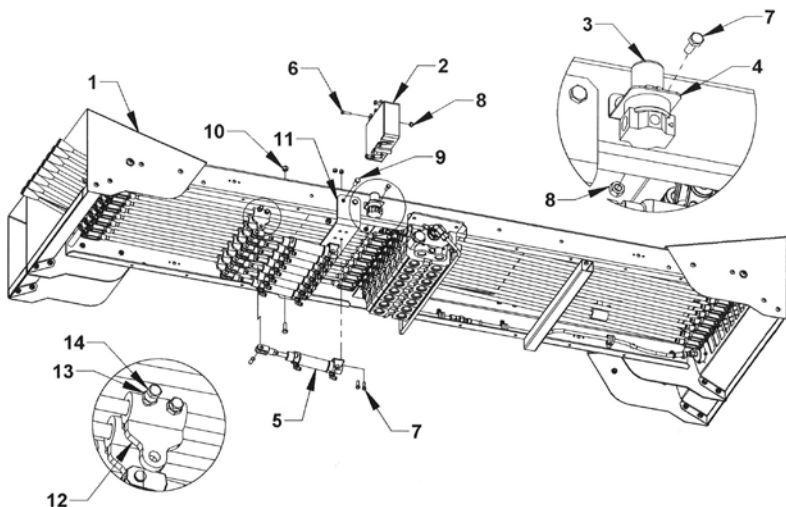
REMOTE AIR CYLINDERS 6-SPOOL



REF. NO.	QTY	PART NUMBER	DESCRIPTION
1	1	183126	6-SPOOL CONTROL STATION
2	1	0308726-2	RADIO CONTROL RECEIVER BOX 2-FUNCTION
		0308726-4	RADIO CONTROL RECEIVER BOX 4-FUNCTION
		0308726-6	RADIO CONTROL RECEIVER BOX 6-FUNCTION
		0308726-8	RADIO CONTROL RECEIVER BOX 8-FUNCTION
		0308726-10	RADIO CONTROL RECEIVER BOX 10-FUNCTION
		0308726-12	RADIO CONTROL RECEIVER BOX 12-FUNCTION
		0308726-16	RADIO CONTROL RECEIVER BOX 16-FUNCTION
3	1	71713	AIR PRESSURE REGULATOR
4	1	0752351	AIR PRESSURE REGULATOR MTG BRACKET
5	X	0308711	AIR CYLINDER 2 INCH STROKE
6	3	0403043	BOLT HHCS 1/4-20 UNC x 1 GR5
7	X	0400066	BOLT HHCS 1/4-20 UNC x 3/4 GR5
8	X	0400367	NUT NYLOK 1/4-20 UNC
9	4	0400126	BOLT HHCS 3/8-18 UNC x 1 GR5
10	4	0400392	NUT NYLOC 3/8-16 UNC
11	1	181381	AIR CYLINDER MTG BRKT 6-SPOOL GEN2
12	X	0809905	BOLT-ON AIR CYLINDER PLATE WELDMNT
13	X	0400366	NUT HEX 1/4-20 UNC
14	X	0400059	BOLT HHCS 1/4-20 UNC x 5/8 GR5

Section V - PARTS

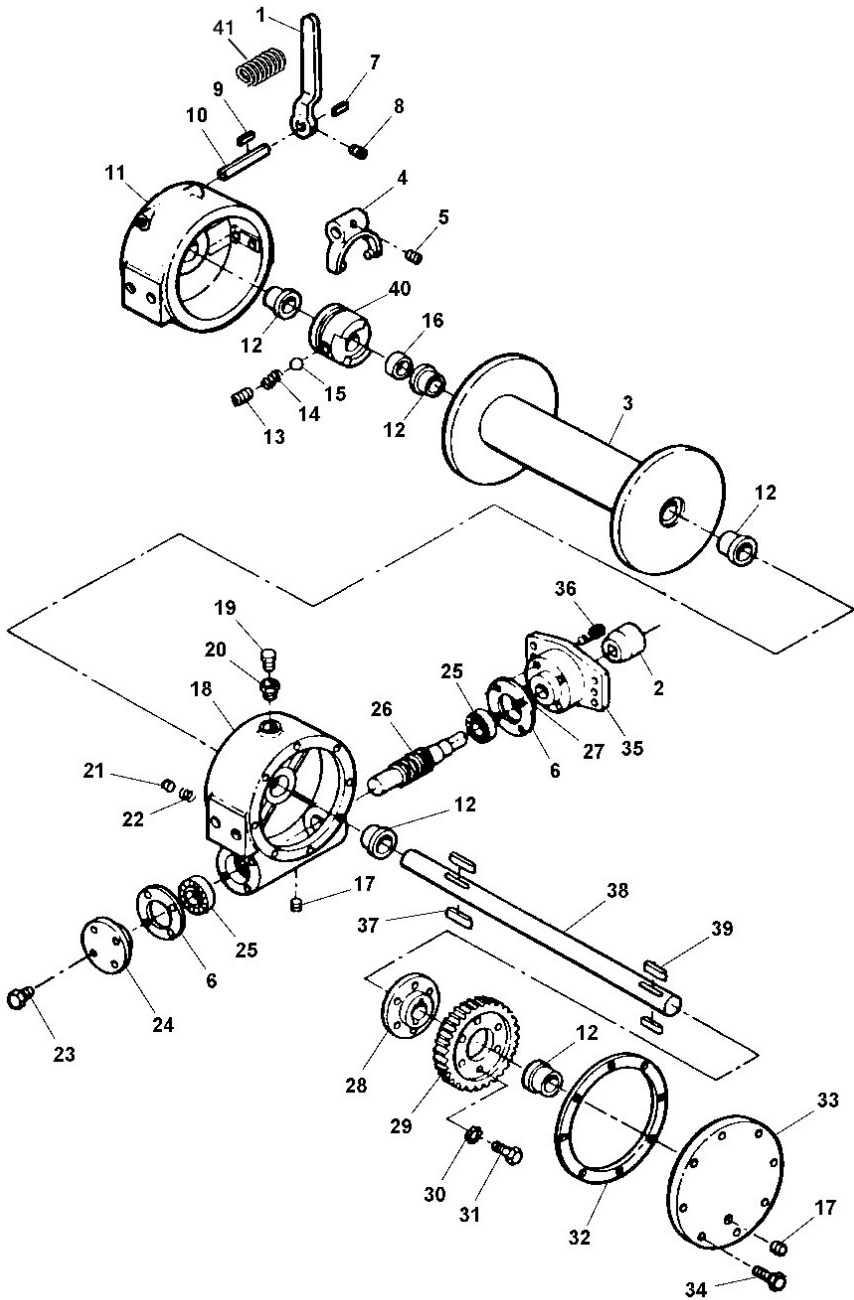
REMOTE AIR CYLINDERS 9-SPOOL



REF. NO.	QTY	PART NUMBER	DESCRIPTION
1	1	183129	9-SPOOL CONTROL STATION
2	1	0308726-2	RADIO CONTROL RECEIVER BOX 2-FUNCTION
		0308726-4	RADIO CONTROL RECEIVER BOX 4-FUNCTION
		0308726-6	RADIO CONTROL RECEIVER BOX 6-FUNCTION
		0308726-8	RADIO CONTROL RECEIVER BOX 8-FUNCTION
		0308726-10	RADIO CONTROL RECEIVER BOX 10-FUNCTION
		0308726-12	RADIO CONTROL RECEIVER BOX 12-FUNCTION
		0308726-16	RADIO CONTROL RECEIVER BOX 16-FUNCTION
3	1	71713	AIR PRESSURE REGULATOR
4	1	0752351	AIR PRESSURE REGULATOR MTG BRACKET
5	X	0308711	AIR CYLINDER 2 INCH STROKE
6	3	0403043	BOLT HHCS 1/4-20 UNC x 1 GR5
7	X	0400066	BOLT HHCS 1/4-20 UNC x 3/4 GR5
8	X	0400367	NUT NYLOK 1/4-20 UNC
9	4	0400126	BOLT HHCS 3/8-18 UNC x 1 GR5
10	4	0400392	NUT NYLOK 3/8-16 UNC
11	1	181381	AIR CYLINDER MTG BRKT 9-SPOOL GEN2
12	X	0809905	BOLT-ON AIR CYLINDER PLATE WELDMENT
13	X	0400366	NUT HEX 1/4-20 UNC
14	X	0400059	BOLT HHCS 1/4-20 UNC x 5/8 GR5

Section V - PARTS

RAMSEY 234 HYDRAULIC WINCH



Section V - PARTS

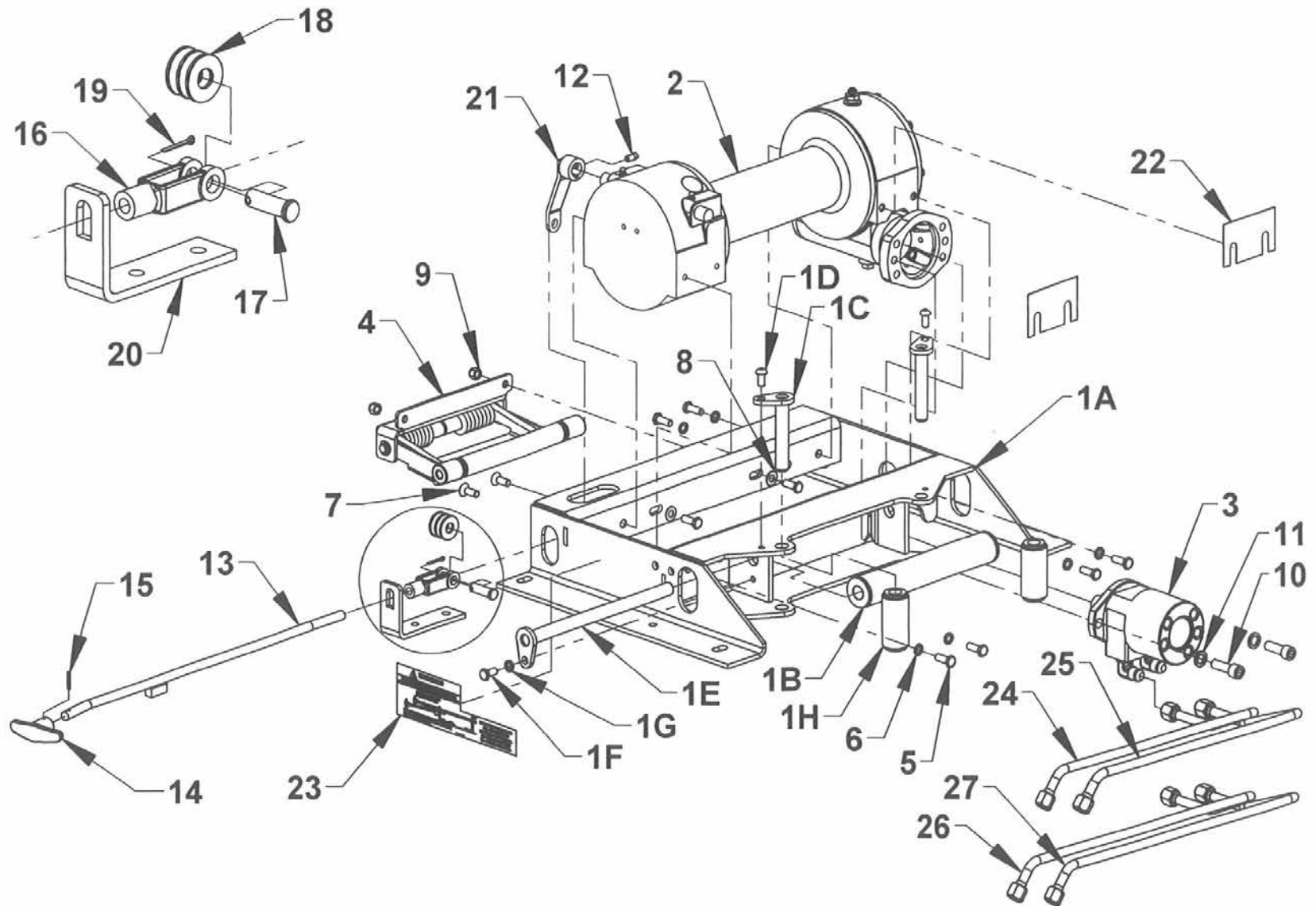
RAMSEY 234 HYDRAULIC WINCH

REF. NO.	NO. REQ'D	PART NUMBER	DESCRIPTION
1	1	0300261	LEVER
2	1	0300290	COUPLING
3	1	0300381	DRUM
4	1	0300398	YOKE
5	1	0300399	SCREW
6	2	0300447	GASKET
7	1	0300448	KEY
8	1	0300449	SCREW
9	1	0300450	KEY
10	1	0300451	SHAFT
11	1	0300452	CLUTCH HOUSING
12	5	0300453	BUSHING
13	1	0300454	SCREW
14	1	0300455	SPRING
15	1	0300456	BALL
16	1	0300458	SPACER
17	2	0300459	PLUG
18	1	0300460	HOUSING
19	1	0300461	PLUG
20	1	0300462	REDUCER
21	1	0300463	DRAG BRAKE
22	1	0300464	SPRING
23	16	0300465	SCREW
24	1	0300466	CAP
25	2	0300467	BEARING
26	1	0300468	WORM
27	1	0300471	SEAL
28	1	0300472	HUB
29	1	0300473	GEAR
30	6	0300474	WASHER
31	6	0300475	SCREW
32	1	0300476	GASKET
33	1	0600477	COVER
34	4	0300569	SCREW
35	1	0300694	CAP ADAPTOR
36	1	0300695	SCREW
37	2	--	KEY
38	1	--	SHAFT
39	2	--	KEY
40	1	--	CLUTCH
41	1	0308608	TORSION SPRING
*	1	0308698	4 TON WORM WINCH ASSEMBLY

* When ordering specify winch serial number.

Section V - PARTS

RAMSEY HD234 MANUAL-SHIFT WINCH GROUP
W/SINGLE CLUTCH CONTROL ROD ASSEMBLY
(UNDERWIND)

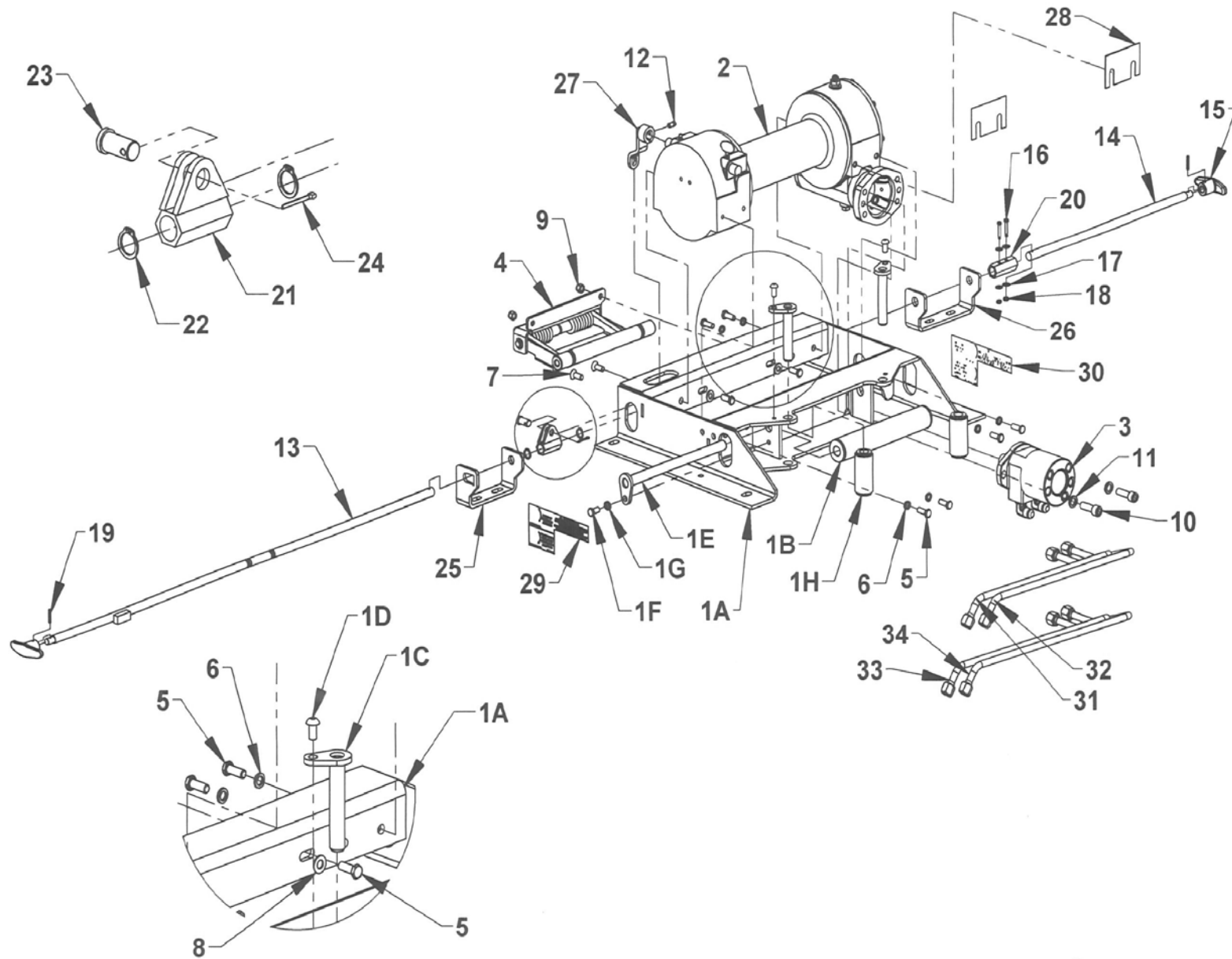


Section V - PARTS

RAMSEY HD234 MANUAL-SHIFT WINCH GROUP W/SINGLE CLUTCH CONTROL ROD ASSEMBLY (UNDERWIND)

REF. NO.	NO. REQ'D	PART NUMBER	DESCRIPTION
1	1	0940425	RAMSEY HD234 WINCH MTG FRAME-GEN2
1A	1	0811139	RAMSEY HD234 WINCH MOUNTING FRAME
1B	1	0940428	ROLLER ASSEMBLY - 1-3/4 DIAMETER
1C	1	0811142	VERTICAL ROLLER KEEPER PIN - RAMSEY 8K BOLT-
1D	2	0403004	BHCS 3/8-16 UNC x 3/4 ZP
1E	2	0811145	ROLLER GUIDE KEEPER PIN - RAMSEY 8K WORM
1F	1	0400121	BOLT- HHCS 3/8-16 UNC x 3/4 ZP
1G	1	0400482	LOCK WASHER 3/8 ZP
1H	2	0709877G	RAMSEY HD234 VERTICAL ROLLER W/BUSHINGS
2	1	0308698	RAMSEY WINCH HD234 LEVER LOCK MANUAL SHIFT
3	1	0320147	WINCH MOTOR 5 CUBIC INCH
4	1	03020146	RAMSEY ROLLER TENSIONER-HD234
5	8	0400126	BOLT- HHCS 3/8-16 UNC x 1 ZP
6	6	0400482	LOCK WASHER 3/8 ZP
7	2	0403137	BOLT FHSCS 3/8-16 x 1 GRB
8	2	0400480	FLAT WASHER 3/8 ZP
9	2	0400392	NUT NYLOC 3/8-16 ZP
10	2	0400238	BOLT SHCS 1/2-13 x 1-1/2 GRB
11	2	0400491	LOCK WASHER 1/2 ZP
12	1	0400116	SET SCREW SQHD 5/16-18 x 1/2 ZP
13	1	0805170	RAMSEY WINCH CLUTCH CONTROL ROD
14	1	0301532	MILLER T-HANDLE
15	1	0400560	ROLL PIN 5/32 x 1
16	1	0301588	ADJUSTABLE YOKE
17	1	0400537	CLEVIS PIN 1/2 x 1-1/2 ZP
18	3	0400492	WASHER 1/2 FLAT
19	1	0400540	COTTER PIN 3/32 x 1
20	1	0710918	RAMSEY CLUTCH HANDLE MOUNTING ANGLE
21	1	0805151	BELL CRANK ARM
22	2	0701172-18	SHIM-RAMSEY HD234
23	1	0500815	WINCH SAFETY DECAL
24	1	0752167-R	WINCH MOTOR FLUID TUBE-CNV-G2-RAMSEY SHORT
25	1	0752168-R	WINCH MOTOR FLUID TUBE-CNV-G2 RAMSEY LONG
26	1	0751974-R	WINCH MOTOR FLUID TUBE-LCG-G2-RAMSEY SHORT
27	1	0751975-R	WINCH MOTOR FLUID TUBE-LCG-G2 RAMSEY LONG

Section V - PARTS
RAMSEY HD234 MANUAL-SHIFT WINCH GROUP WITH
DUAL CLUTCH CONTROL ROD ASSEMBLY

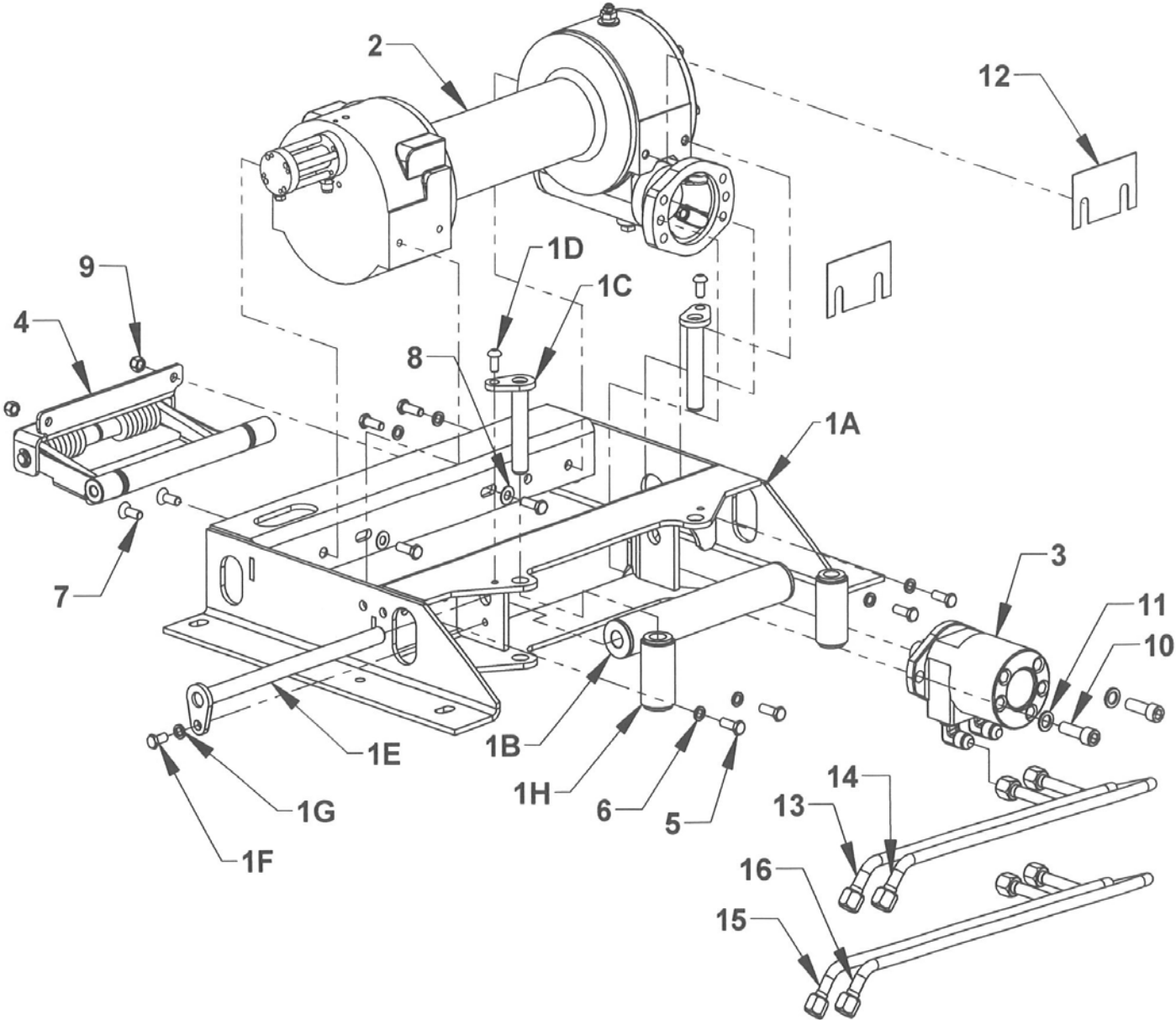


Section V - PARTS

RAMSEY HD234 MANUAL-SHIFT WINCH GROUP WITH DUAL CLUTCH CONTROL ROD ASSEMBLY

REF. NO.	NO. REQ'D	PART NUMBER	DESCRIPTION
1	1	0940425	RAMSEY HD234 WINCH MTG FRAME-GEN2
1A	1	0811139	RAMSEY HD234 WINCH MOUNTING FRAME
1B	1	0940428	ROLLER ASSEMBLY - 1-3/4 DIAMETER
1C	2	0811142	VERTICAL ROLLER KEEPER PIN - RAMSEY 8K
1D	2	0403004	BOLT- BHCS 3/8-16 UNC x 3/4 ZP
1E	1	0811145	ROLLER GUIDE KEEPER PIN - RAMSEY 8K WORM
1F	1	0400121	BOLT- HHCS 3/8-16 UNC x 3/4 ZP
1G	1	0400482	LOCK WASHER 3/8 ZP
1H	2	0709877G	RAMSEY HD234 VERTICAL ROLLER W/BUSHINGS
2	1	0308698	RAMSEY WINCH HD234 LEVER LOCK MANUAL SHIFT
3	1	0320147	WINCH MOTOR 5 CUBIC INCH
4	1	03020146	RAMSEY ROLLER TENSIONER-HD234
5	8	0400126	BOLT- HHCS 3/8-16 UNC x 1 ZP
6	6	0400482	LOCK WASHER 3/8 ZP
7	2	0403137	BOLT FHSCS 3/8-16 x 1 GRB
8	2	0400480	FLAT WASHER 3/8 ZP
9	2	0400392	NUT NYLOC 3/8-16 ZP
10	2	0400238	BOLT SHCS 1/2-13 x 1-1/2 GRB
11	2	0400491	LOCK WASHER 1/2 ZP
12	1	0400116	SET SCREW SQHD 5/16-18 x 1/2 GRB
13	1	08002469	DUAL CLUTCH HANDLE ROD - 45"
14	1	07004181	DUAL CLUTCH HANDLE ROD - 19"
15	2	0201532	MILLER T-HANDLE
16	2	0403170	BOLT SSB #10 x 1 #8-32 SS
17	4	0403005	FLAT WASHER #10 SS
18	2	04003908	NUT #8-32 HEX NYLOC SS
19	2	0400560	ROLL PIN 5/32 x 1
20	1	07004182	DUAL CLUTCH CONTROL ROD COUPLING
21	1	08002489	DUAL CLUTCH HANDLE BUSHING
22	2	86062E	SNAP RING 5/8 EXTERNAL
23	1	04000341	CLEVIS PIN 1/2 x 1 ZP
24	1	0400540	COTTER PIN 3/32 x 1
25	1	07004164	DUAL CLUTCH HANDLE MTG ANGLE - LH
26	1	07004165	DUAL CLUTCH HANDLE MTG ANGLE - RH
27	1	08002468	DUAL HANDLE CLUTCH CRANK ARM
28	2	0701172-18	SHIM-RAMSEY HD234
29	1	05000522L	WINCH SAFETY DECAL - LH
30	1	0500522R	WINCH SAFETY DECAL - RH
31	1	0752167-R	WINCH MOTOR FLUID TUBE-CNV-G2-RAMSEY SHORT
32	1	0752168-R	WINCH MOTOR FLUID TUBE-CNV-G2 RAMSEY LONG
33	1	0751974-R	WINCH MOTOR FLUID TUBE-LCG-G2-RAMSEY SHORT
34	1	0751975-R	WINCH MOTOR FLUID TUBE-LCG-G2 RAMSEY LONG

Section V - PARTS
RAMSEY HD234 AIR-SHIFT WINCH GROUP



Section V - PARTS

RAMSEY HD234 AIR-SHIFT WINCH GROUP

REF. NO.	NO. REQ'D	PART NUMBER	DESCRIPTION
1	1	0940425	RAMSEY HD234 WINCH MTG FRAME-GEN2
1A	1	0811139	RAMSEY HD234 WINCH MOUNTING FRAME
1B	1	0940428	ROLLER ASSEMBLY - 1-3/4 DIAMETER
1C	2	0811142	VERTICAL ROLLER KEEPER PIN - RAMSEY 8K
1D	2	0403004	BOLT- BHCS 3/8-16 UNC x 3/4 ZP
1E	1	0811145	ROLLER GUIDE KEEPER PIN - RAMSEY 8K WORM
1F	1	0400121	BOLT- HHCS 3/8-16 UNC x 3/4 ZP
1G	1	0400482	LOCK WASHER 3/8 ZP
1H	2	0709877G	RAMSEY HD234 VERTICAL ROLLER W/BUSHINGS
2	1	0308535	RAMSEY WINCH HD234 AIR SHIFT
3	1	0320147	WINCH MOTOR 5 CUBIC INCH
4	1	03020146	RAMSEY ROLLER TENSIONER-HD234
5	8	0400126	BOLT- HHCS 3/8-16 UNC x 1 ZP
6	6	0400482	LOCK WASHER 3/8 ZP
7	2	0403137	BOLT FHSCS 3/8-16 x 1 GRB
8	2	0400480	FLAT WASHER 3/8 ZP
9	2	0400392	NUT NYLOC 3/8-16 ZP
10	2	0400238	BOLT SHCS 1/2-13 x 1-1/2 GRB
11	2	0400491	LOCK WASHER 1/2 ZP
12	2	0701172-18	SHIM-RAMSEY HD234
13	1	0752167-R	WINCH MOTOR FLUID TUBE-CNV-G2-RAMSEY SHORT
14	1	0752168-R	WINCH MOTOR FLUID TUBE-CNV-G2 RAMSEY LONG
15	1	0751974-R	WINCH MOTOR FLUID TUBE-LCG-G2-RAMSEY SHORT
16	1	0751975-R	WINCH MOTOR FLUID TUBE-LCG-G2 RAMSEY LONG

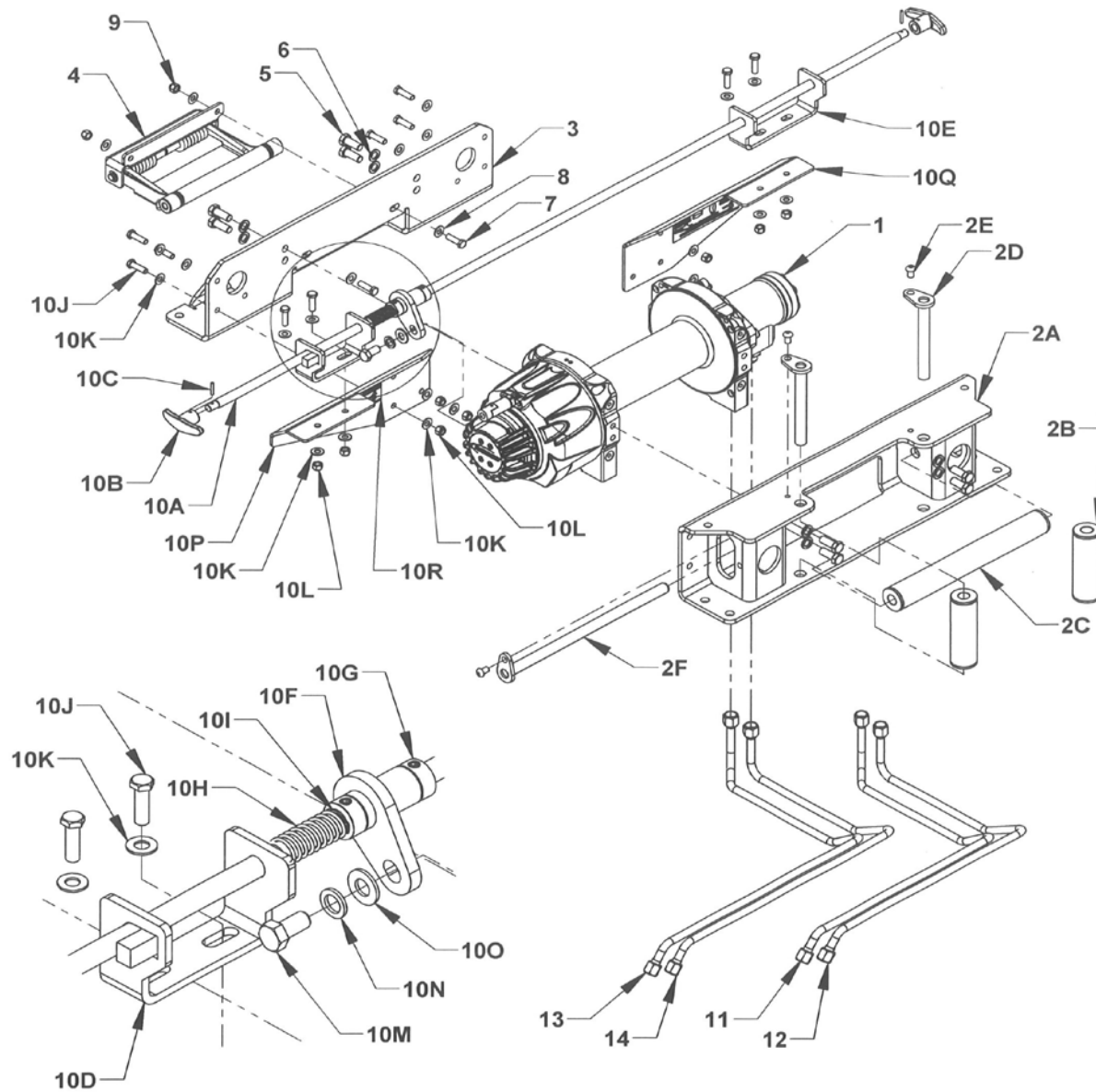
Section V - PARTS

RAMSEY WINCH - 0940421-0810AM 8K SIERRA PLANETARY MANUAL SHIFT

REF. NO.	NO. REQ'D	PART NUMBER	DESCRIPTION
1	1	0320127-0810AM	RAMSEY SIERRA 8K PLANETARY WINCH
2	1	0940422	RAMSEY SIERRA ROLLER GUIDE ASSEMBLY
2A	1	0811127	RAMSEY SIERRA ROLLER GUIDE
2B	2	0809640	ROLLER ASSEMBLY - 1.75 DIAMETER
2C	1	A901520	ROLLER ASSEMBLY - 1.75 DIAMETER
2D	2	0809641	ROLLER GUIDE KEEPER PIN
2E	3	0403161	BOLT 3/8-16 UNC x 5/8 BUTTON HEAD
2F	1	A901525	ROLLER GUIDE KEEPER PIN
3	1	0811128	RAMSEY SIERRA FRONT MTG CHANNEL
4	1	03019524	SIERRA CABLE TENSIONER GEN 2
5	8	0400177	BOLT HHCS 1/2-13 UNC x 1-1/4
6	8	0400491	WASHER 1/2 LOCK
7	7	0400122	BOLT HHCS 3/8-16 UNC x 1-1/4
8	14	0400480	FLAT WASHER 3/8 SAE ZP
9	7	0400392	NYLON LOCK NUT 3/8-16 UNC
10	7	08011591	RAMSEY SIERRA T-HANDLE SUPPORT BRKT
11	1	0752684	RAMSEY SIERRA REMOTE CLUTCH ROD
12	1	0301532	MILLER T- HANDLE
13	1	0400560	ROLL PIN 1/8 x 7/8
14	1	0400407	NUT HEX 1/2
15	1	05002123	FREE SPOOL DECAL RAMSEY SIERRA
16	1	0752167-RS08	S10 G2 RAMSEY SIERRA 8K FLUID TUBE-SHORT
17	1	0752168-RS08	S10 G2 RAMSEY SIERRA 8K FLUID TUBE-LONG
18	1	0751974-RS08	S12 G2 RAMSEY SIERRA 8K FLUID TUBE-SHORT
19	1	0751975-RS08	S12 G2 RAMSEY SIERRA 8K FLUID TUBE-LONG

Section V - PARTS

RAMSEY WINCH - 0940421-0810AM
8K SIERRA PLANETARY MANUAL SHIFT
DUAL HANDLE CLUTCH CONTROL ROD ASSEMBLY



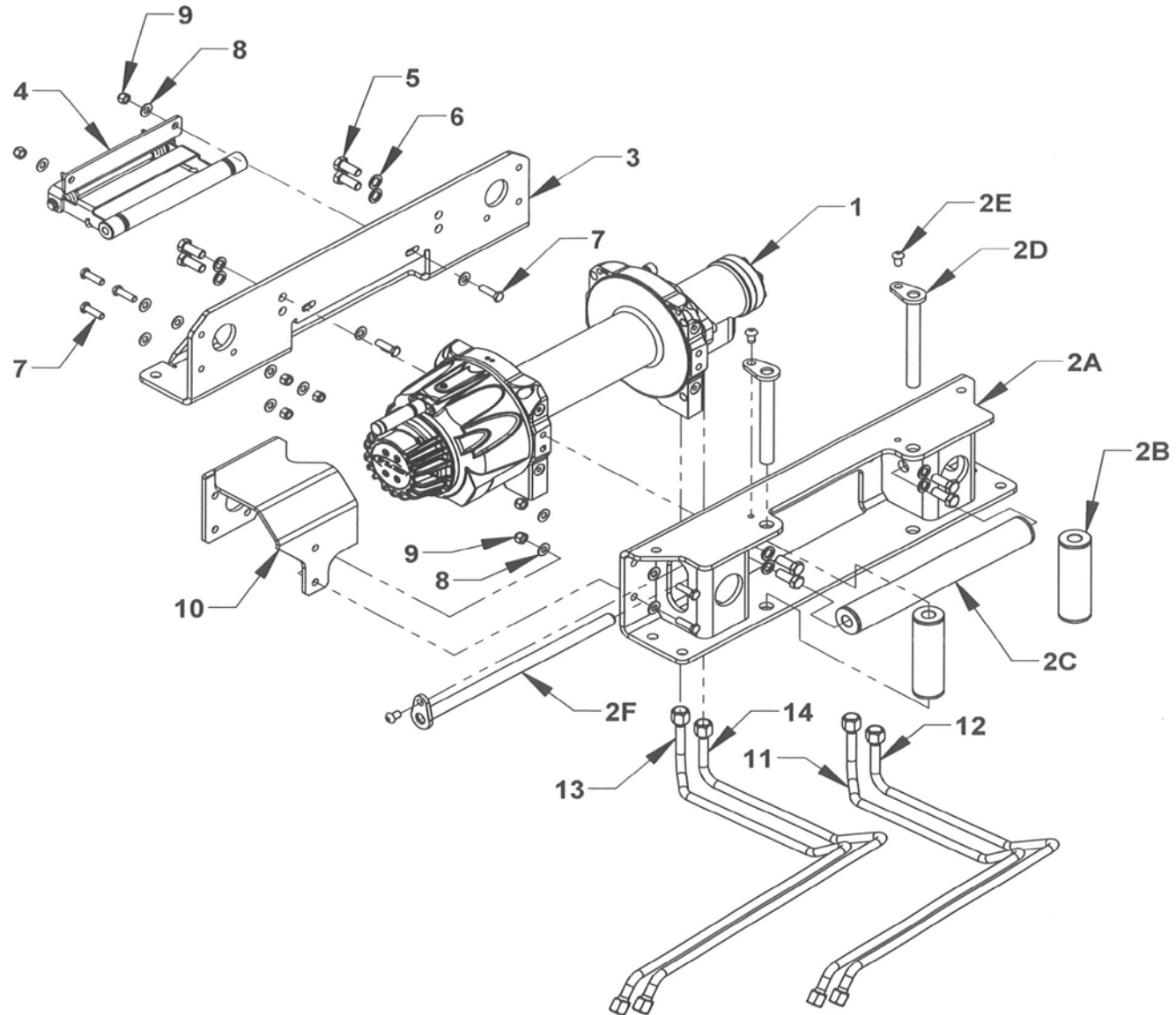
Section V - PARTS

RAMSEY WINCH - 0940421-0810AM 8K SIERRA PLANETARY MANUAL SHIFT DUAL HANDLE CLUTCH CONTROL ROD ASSEMBLY

REF. NO.	QTY	PART NUMBER	DESCRIPTION
1	1	0320127-0810AM	RAMSEY SIERRA 8K PLANETARY WINCH
2	1	0940422	RAMSEY SIERRA ROLLER GUIDE ASSEMBLY
2A	1	0811127	RAMSEY SIERRA ROLLER GUIDE
2B	2	0809640	ROLLER ASSEMBLY - 1.75 DIAMETER
2C	1	A901520	ROLLER ASSEMBLY - 1.75 DIAMETER
2D	2	0809641	ROLLER GUIDE KEEPER PIN
2E	3	0403161	BOLT 3/8-16 UNC x 5/8 BUTTON HEAD
2F	1	A901525	ROLLER GUIDE KEEPER PIN
3	1	0811128	RAMSEY SIERRA FRONT MTG CHANNEL
4	1	03019524	SIERRA CABLE TENSIONER GEN 2
5	8	0400177	BOLT HHCS 1/2-13 UNC x 1-1/4
6	8	0400491	WASHER 1/2 LOCK
7	2	0400122	BOLT HHCS 3/8-16 UNC x 1-1/4
8	4	0400480	FLAT WASHER 3/8 SAE ZP
9	2	0400392	NYLON LOCK NUT 3/8-16 UNC
10	1	09011048	RAMSEY SIERRA DUAL HANDLE ROD ASSEM
10A	1	08009068	SIERRA DUAL HANDLE CONTROL ROD - 64"
10B	2	0301532	MILLER T- HANDLE
10C	2	0400560	ROLL PIN 5/32 x 1
10D	1	07021447	DUAL CLUTCH HANDLE MTG CHANNEL - LH
10E	1	07004165	DUAL CLUTCH HANDLE MTG CHANNEL - RH
10F	1	08009269	DUAL HANDLE KEEPER BUSHING
10G	2	03012489	SET SCREW COLLAR 5/8 SHAFT, 5/16-18 x 1/4 SET SCREW
10H	1	03012928	SPRING COMPRESSION 3 x .875 OD x .091" WIRE DIA.
10I	2	86062E	SNAP RING 5/8 EXTERNAL
10J	10	0400122	BOLT HHCS 3/8-16 UNC x 1-1/4
10K	20	0400480	FLAT WASHER 3/8 SAE ZP
10L	10	0400392	NYLON LOCK NUT 3/8-16 UNC
10M	1	0400176	BOLT HHS 1/2-13 UNC x 1
10N	1	0400491	WASHER 1/2 LOCK
10O	1	0403040	FLAT WASHER 1/2 SAE ZP
10P	1	07014129L	RAMSEY SIERRA DUAL HANDLE MTG BRACKET - LH
10Q	1	07014129R	RAMSEY SIERRA DUAL HANDLE MTG BRACKET - RH
10R	2	05001603	FREE SPOOL DECAL RAMSEY SIERRA DUAL HANDLE
11	1	0752167-RS08	S10 G2 RAMSEY SIERRA 8K FLUID TUBE-SHORT
12	1	0752168-RS08	S10 G2 RAMSEY SIERRA 8K FLUID TUBE-LONG
13	1	0751974-RS08	S12 G2 RAMSEY SIERRA 8K FLUID TUBE-SHORT
14	1	0751975-RS08	S12 G2 RAMSEY SIERRA 8K FLUID TUBE-LONG

Section V - PARTS

**RAMSEY WINCH - 0940421-0810AA
8K SIERRA PLANETARY AIR SHIFT**



Section V - PARTS

RAMSEY WINCH - 0940421-0810AA 8K SIERRA PLANETARY AIR SHIFT

REF. NO.	NO. REQ'D	PART NUMBER	DESCRIPTION
1	1	0320127-0810AA	RAMSEY SIERRA 8K PLANETARY WINCH
2	1	0940422	RAMSEY SIERRA ROLLER GUIDE ASSEMBLY
2A	1	0811127	RAMSEY SIERRA ROLLER GUIDE
2B	2	0809640	ROLLER ASSEMBLY - 1.75 DIAMETER
2C	1	A901520	ROLLER ASSEMBLY - 1.75 DIAMETER
2D	2	0809641	ROLLER GUIDE KEEPER PIN
2E	3	0403161	BOLT 3/8-16 UNC x 5/8 BUTTON HEAD
2F	1	A901525	ROLLER GUIDE KEEPER PIN
3	1	0811128	RAMSEY SIERRA FRONT MTG CHANNEL
4	1	03019524	SIERRA CABLE TENSIONER GEN 2
5	8	0400177	BOLT HHCS 1/2-13 UNC x 1-1/4
6	8	0400491	WASHER 1/2 LOCK
7	7	0400122	BOLT HHCS 3/8-16 UNC x 1-1/4
8	14	0400480	FLAT WASHER 3/8 SAE ZP
9	7	0400392	NYLON LOCK NUT 3/8-16 UNC
10	1	07005433	RAMSEY SIERRA AIR CYLINDER GUARD
11	1	0752167-RS08	S10 G2 RAMSEY SIERRA 8K FLUID TUBE-SHORT
12	1	0752168-RS08	S10 G2 RAMSEY SIERRA 8K FLUID TUBE-LONG
13	1	0751974-RS08	S12 G2 RAMSEY SIERRA 8K FLUID TUBE-SHORT
14	1	0751975-RS08	S12 G2 RAMSEY SIERRA 8K FLUID TUBE-LONG

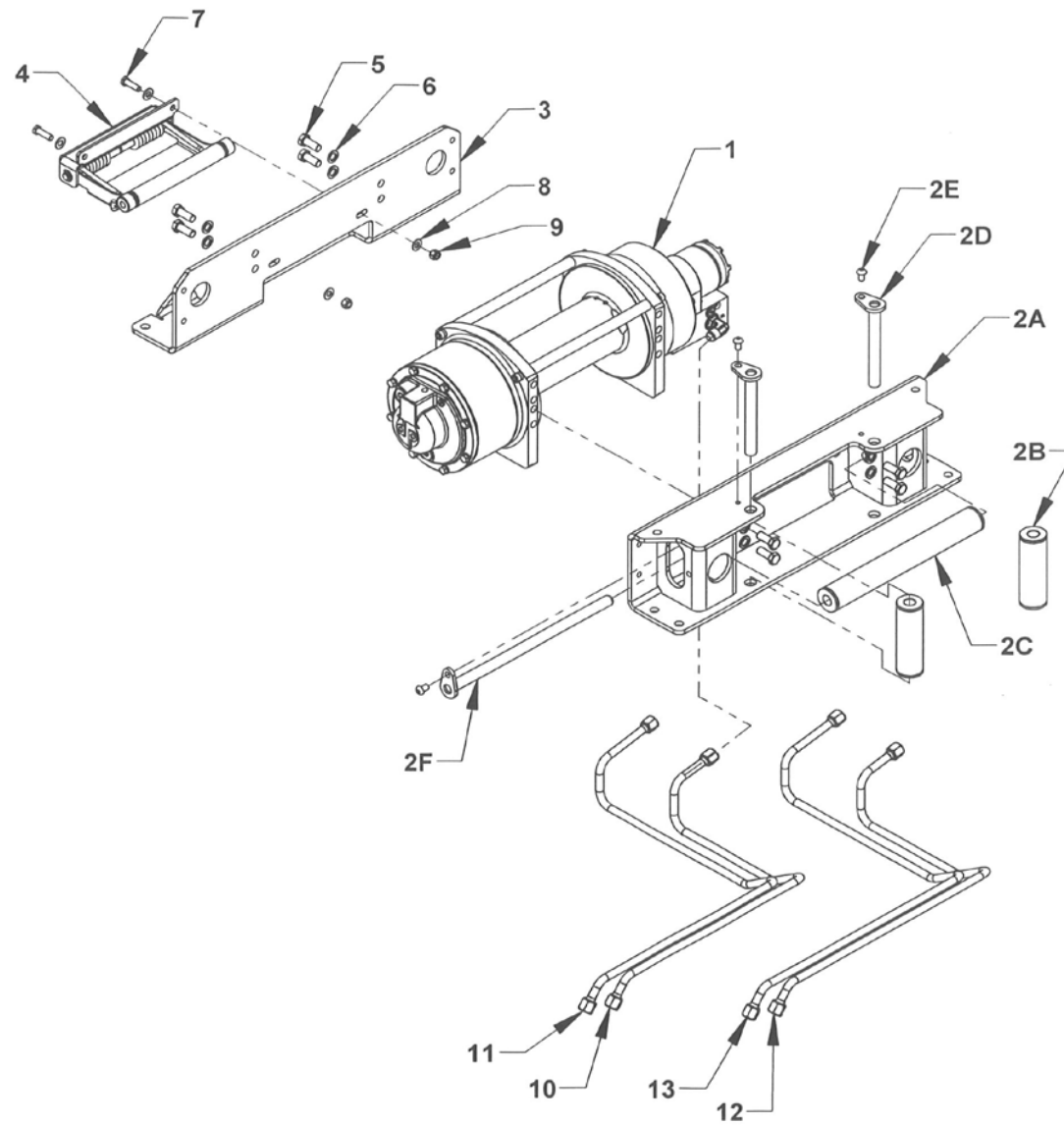
Section V - PARTS

DP WINCH - PLANETARY MANUAL SHIFT

REF. NO.	QTY	PART NUMBER	DESCRIPTION
1	1	03015100-0810AM	DP 8K PLANETARY WINCH MANUAL SHIFT
		03015100-1210AM	DP 12K PLANETARY WINCH MANUAL SHIFT
		03015100-1510AM	DP 15K PLANETARY WINCH MANUAL SHIFT
2	1	09011914	DP 8K-15K ROLLER GUIDE FRAME ASSEMBLY
2A	1	08010128	DP 8K-15K ROLLER GUIDE FRAME
2B	2	0809640	ROLLER ASSEMBLY 1.75 DIAMETER x 5.625
2C	1	A901520	ROLLER ASSEMBLY 1.75 DIAMETER x 13.500
2D	2	0809641	ROLLER GUIDE KEEPER PIN 6.348
2E	3	0403161	BOLT 3/8-16 UNC x 5/8 BUTTON HEAD
2F	1	A901525	ROLLER GUIDE KEEPER PIN 14.535
3	1	08010129	DP FRONT MOUNTING FRAME
4	1	03015381	DP WINCH TENSIONER
5	8	0400177	BOLT HHCS 1/2-13 UNC x 1-1/4
6	8	0400491	LOCK WASHER 1/2
7	6	0400122	BOLT HHCS 3/8-16 UNC x 1-1/4
8	12	0400480	FLAT WASHER 3/8
9	6	1400392	NYLON LOCK NUT 3/8-16 UNC
10	1	08011569	DP T-HANDLE SUPPORT BRACKET
11	1	08011568	DP T-HANDLE CLUTCH ROD
12	1	0301532	MILLER T-HANDLE
13	1	0400560	ROLL PIN .532 x 1
14	1	0400407	NUT HEX 1/2
15	1	0301588	CLUTCH CONTROL ADJUSTABLE YOKE
16	1	0400537	CLEVIS PIN 1/2 x 1-1/2
17	1	0403040	FLAT WASHER 1/2
18	1	0400540	COTTER PIN 3/32 x 1
19	1	03017221	DP WINCH LEVER
20	1	0500815	WINCH SAFETY DECAL
21	1	0752167-DP08	S10 DP 8K/12K/15K FLUID TUBE - SHORT
22	1	0752168-DP08	S10 DP 8K/12K/15K FLUID TUBE - LONG
23	1	0751974-DP08	S12 DP 8K/12K/15K FLUID TUBE - SHORT
24	1	0751975-DP08	S12 DP 8K/12K/15K FLUID TUBE - LONG

NOTE: Items 21 through 24 are not included in 09013369-0810AM.

Section V - PARTS
DP WINCH - PLANETARY AIR SHIFT



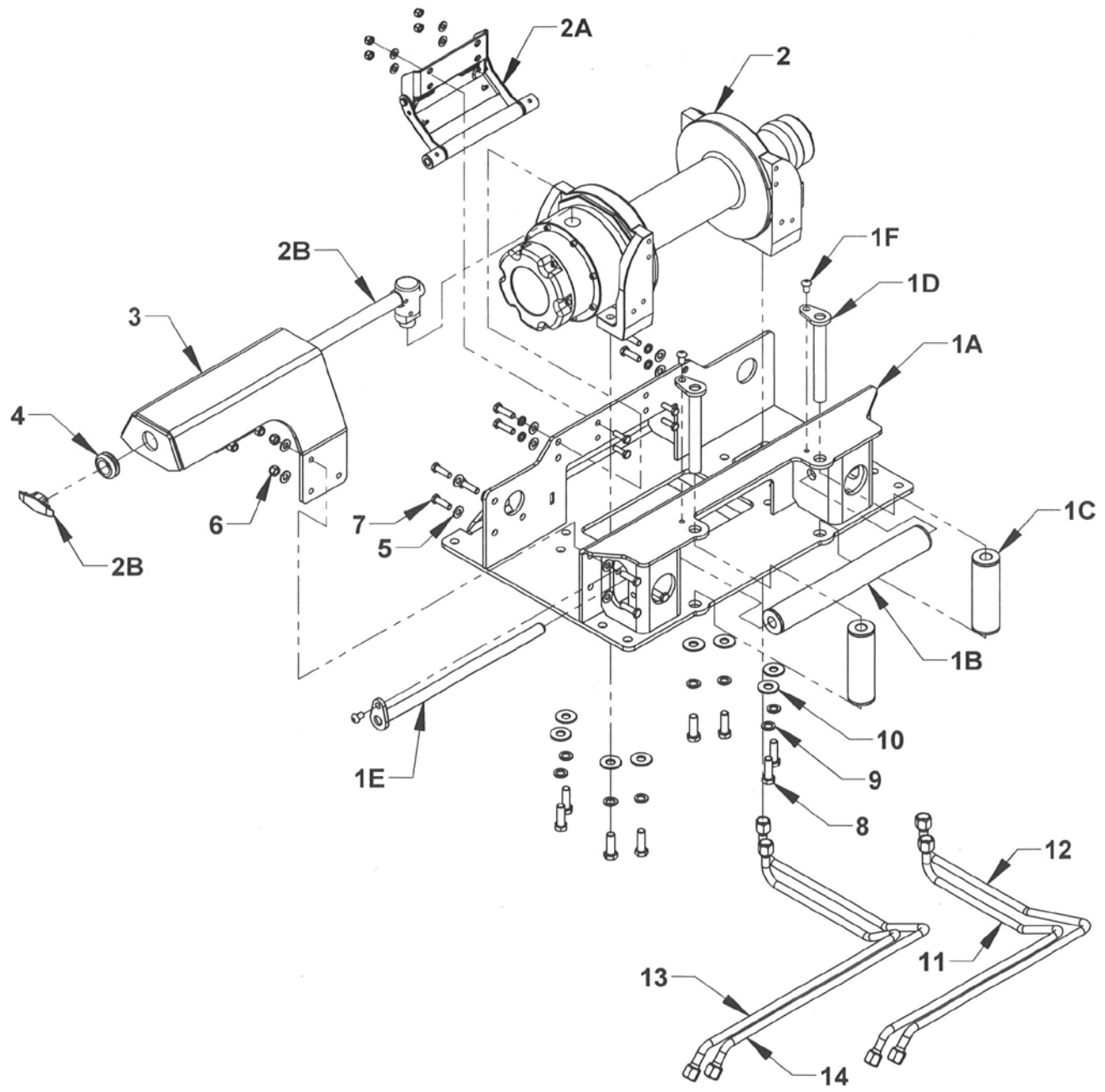
Section V - PARTS

DP WINCH - PLANETARY AIR SHIFT

REF. NO.	QTY	PART NUMBER	DESCRIPTION
1	1	03015100-0810AA 03015100-1210AA 03015100-1510AA	DP 8K PLANETARY WINCH AIR SHIFT DP 12K PLANETARY WINCH AIR SHIFT DP 15K PLANETARY WINCH AIR SHIFT
2	1	09011914	DP 8K-15K ROLLER GUIDE FRAME ASSEMBLY
2A	1	08010128	DP 8K-15K ROLLER GUIDE FRAME
2B	2	0809640	ROLLER ASSEMBLY 1.75 DIAMETER x 5.625
2C	1	A901520	ROLLER ASSEMBLY 1.75 DIAMETER x 13.500
2D	2	0809641	ROLLER GUIDE KEEPER PIN 6.348
2E	3	0403161	BOLT 3/8-16 UNC x 5/8 BUTTON HEAD ROLLER
2F	1	A901525	GUIDE KEEPER PIN 14.535
3	1	08010129	DP FRONT MOUNTING FRAME
4	1	03015381	DP WINCH TENSIONER
5	8	0400177	BOLT HHCS 1/2-13 UNC x 1-1/4
6	8	0400491	LOCK WASHER 1/2
7	2	0400122	BOLT HHCS 3/8-16 UNC x 1-1/4
8	4	0400480	FLAT WASHER 3/8
9	2	1400392	NYLON LOCK NUT 3/8-16 UNC
10	1	0752167-DP08	S10 DP 8K/12K/15K FLUID TUBE - SHORT S10
11	1	0752168-DP08	DP 8K/12K/15K FLUID TUBE - LONG
12	1	0751974-DP08	S12 DP 8K/12K/15K FLUID TUBE - SHORT S12
13	1	0751975-DP08	DP 8K/12K/15K FLUID TUBE - LONG

NOTE: Items 10 through 13 are not included in 09013369-0810AA.

Section V - PARTS
8K COMEUP WINCH - 0940283-0810AM

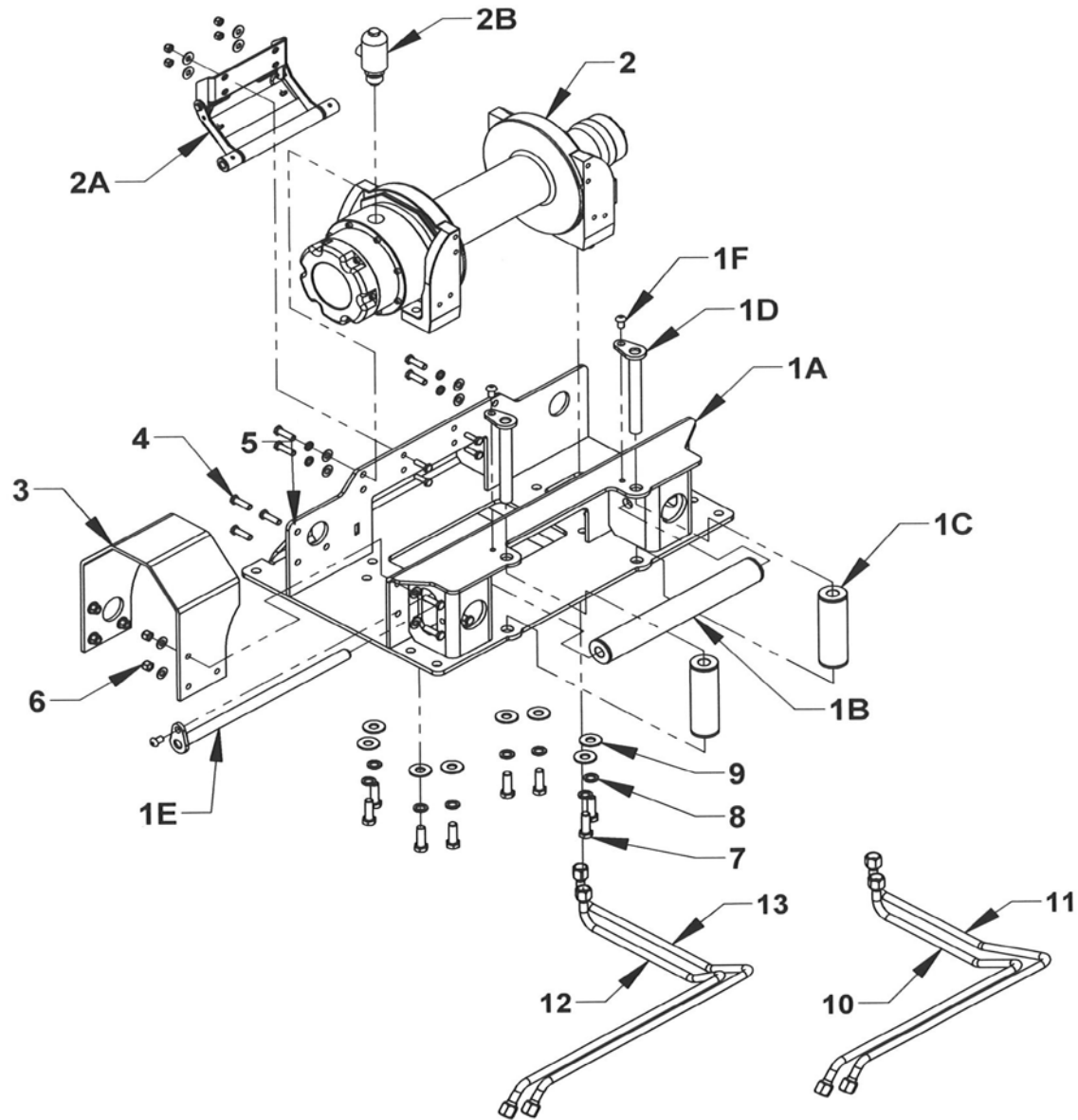


Section V - PARTS

8K COMEUP WINCH - 0940283-0810AM

REF. NO.	NO. REQ'D	PART NUMBER	DESCRIPTION
1	1	0940281	COMEUP 8K-12K WINCH FRAME ASSEMBLY
1A	1	0809713	COMEUP FRAME WELDMENT
1B	1	A901520	ROLLER ASSEMBLY - 1.750 DIAMETER x 13.500
1C	2	0809640	ROLLER ASSEMBLY - 1.750 DIAMETER x 5.625
1D	2	0809641	ROLLER GUIDE KEEPER PIN - 6.348
1E	1	A901525	ROLLER GUIDE KEEPER PIN - 14.535
1F	3	0403161	BOLT, BHCS 3/8-16 UNC x 5/8
2	1	0308986-0810AM	COMEUP 8K WINCH-ROTATION MANUAL SHIFT
		0308986-1210AM	COMEUP 12K WINCH-ROTATION MANUAL SHIFT
		0308986-1510AM	COMEUP 15K WINCH-ROTATION MANUAL SHIFT
2A	1	0320128	COMEUP WINCH TENSIONER
2B	1	0320129	COMEUP T-HANDLE CLUTCH - 16
3	1	08011590	COMEUP T-HANDLE SUPPORT BRACKET
4	1	98718	GROMMET 1.00 ID x 0.25 GROOVE
5	12	0400480	FLAT WASHER 3/8
6	6	0400392	NUT NYLOK 3/8-16 UNC
7	6	0400148	BOLT HHCS 3/8-16 UNC x 1-1/2 GR5
8	8	0400181	BOLT HHCS 1/2-13 UNC x 1-1/2 GR5
9	8	0400491	LOCK WASHER 1/2
10	8	0400492	WASHER 1/2
11	1	0752167-C	S10 G2-COMEUP 8K SHORT
12	1	0752168-C	S10 G2-COMEUP 8K LONG
13	1	0751974-C	S12 G2-COMEUP 8K SHORT
14	1	0751975-C	S12 G2-COMEUP 8K LONG

Section V - PARTS
8K COMEUP WINCH - 0940283-0810AA

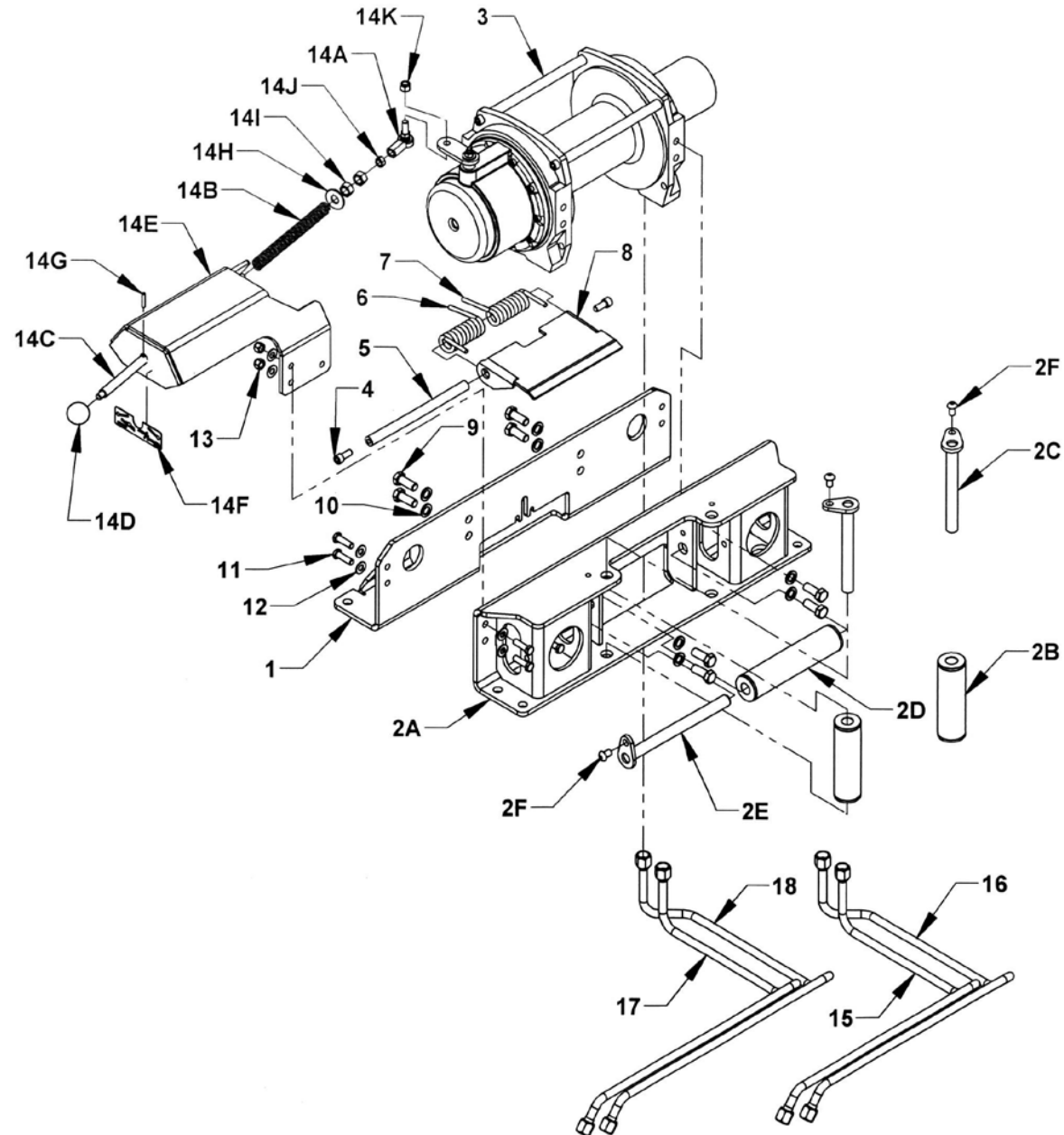


Section V - PARTS

8K COMEUP WINCH - 0940283-0810AA

REF. NO.	NO. REQ'D	PART NUMBER	DESCRIPTION
1	1	0940281	COMEUP 8K-12K WINCH FRAME ASSEMBLY
1A	1	0809713	COMEUP FRAME WELDMENT
1B	1	A901520	ROLLER ASSEMBLY - 1.750 DIAMETER x 13.500
1C	2	0809640	ROLLER ASSEMBLY - 1.750 DIAMETER x 5.625
1D	2	0809641	ROLLER GUIDE KEEPER PIN - 6.348
1E	1	A901525	ROLLER GUIDE KEEPER PIN - 14.535
1F	3	0403161	BOLT, BHCS 3/8-16 UNC x 5/8
2	1	0308986-0810AA	COMEUP 8K WINCH-ROTATION AIR SHIFT
		0308986-1210AA	COMEUP 12K WINCH-ROTATION AIR SHIFT
		0308986-1510AA	COMEUP 15K WINCH-ROTATION AIR SHIFT
2A	1	0320128	COMEUP WINCH TENSIONER
2B	1	0308955	COMEUP FREE SPOOL AIR CYLINDER
3	1	0752482	COMEUP AIR CYLINDER GUARD
4	6	0400148	BOLT HHCS 3/8-16 UNC x 1-1/2 GR5
5	12	0400480	FLAT WASHER 3/8
6	6	040392	NUT NYLOK 3/8-16 UNC
7	8	0400181	BOLT HHCS 1/2-13 UNC x 1-1/2 GR5
8	8	0400491	LOCK WASHER 1/2
9	8	0400492	WASHER 1/2
10	1	0752167-C	S10 G2-COMEUP 8K SHORT
11	1	0752168-C	S10 G2-COMEUP 8K LONG
12	1	0751974-C	S12 G2-COMEUP 8K SHORT
13	1	0751975-C	S12 G2-COMEUP 8K LONG

Section V - PARTS
WARN WINCH - MANUAL FREE SPOOL

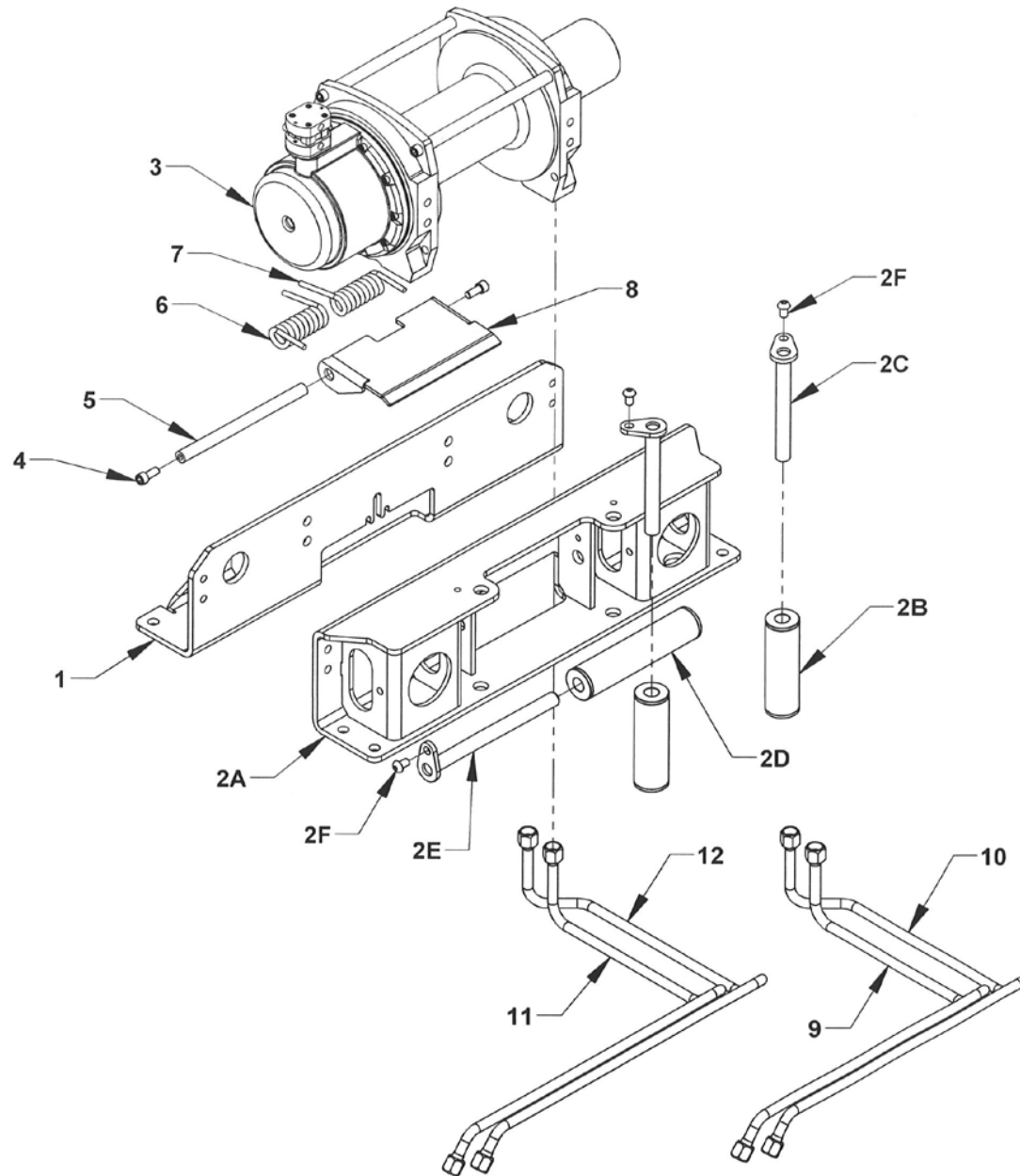


Section V - PARTS

WARN WINCH - MANUAL FREE SPOOL

REF. NO.	NO. REQ'D	PART NUMBER	DESCRIPTION
1	1	0809644	MTG FRAME WELDMENT - FRONT
2	1	0940240	WARN MTG FRAME REAR ASSEMBLY
2A	1	0809639	MTG FRAME WLDMNT - ROLLER GUIDE REAR
2B	2	0809640	ROLLER GUIDE BUSHING 1.75 x 5.625
2C	2	0809641	ROLLER GUIDE KEEPER PIN
2D	1	A9R281	ROLLER GUIDE BUSHING 1.75 x 7.875
2E	1	A902095	ROLLER GUIDE KEEPER PIN
2F	3	0403161	BOLT, BHCS 3/8-16 UNC x 5/8
3	1	0308936-0908AM	WINCH 9K, 8 IN. DRUM MANUAL SHIFT
		0308936-1208AM	WINCH 12K, 8 IN. DRUM MANUAL SHIFT
		0308936-1508AM	WINCH 15K, 8 IN. DRUM MANUAL SHIFT
4	2	0403109	BOLT, SHCS 3/8-16 UNC x 7/8
5	1	0751337	TENSION PLATE PIVOT ROD
6	1	0308935R	TENSION SPRING
7	1	0308935L	TENSION SPRING
8	1	0751268	TENSION PLATE
9	8	0400177	BOLT HHCS 1/2-13 UNC x 1-1/4
10	8	0400491	LOCK WASHER 1/2
11	5	0400122	BOLT HHCS 3/8-16 UNC x 1-1/4
12	10	0400480	FLAT WASHER 3/8
13	5	0400392	NYLON LOCK NUT 3/8-16 UNC
14	1	09013709	CLUTCH CONTROL ASSEMBLY WARN WINCH
14A	1	718732	ROD END BEARING
14B	1	71875	WINCH SPRING
14C	1	71873	WINCH CLUTCH ROD
14D	1	718731	WINCH CLUTCH ROD KNOB
14E	1	08011592	WINCH-MANUAL FREE SPOOL BRACKET
14F	1	05002124	FREE SPOOL DECAL WARN WINCH
14G	1	0405559	SPLIT PIN 3/16 x 1
14H	1	0400492	FLAT WASHER 1/2
14I	2	0400407	HEX NUT 1/2-13 UNC
14J	1	0402122	HEX NUT 3/8-16 UNC
14K	1	0400392	NYLON LOCK NUT 3/8-16 UNC
15	1	0752167-W	S10 G2 WARN FLUID TUBE-SHORT
16	1	0752168-W	S10 G2 WARN FLUID TUBE-LONG
17	1	0751974-W	S12 G2 WARN FLUID TUBE-SHORT
18	1	0751975-W	S12 G2 WARN FLUID TUBE-LONG

Section V - PARTS
WARN WINCH - AIR FREE SPOOL



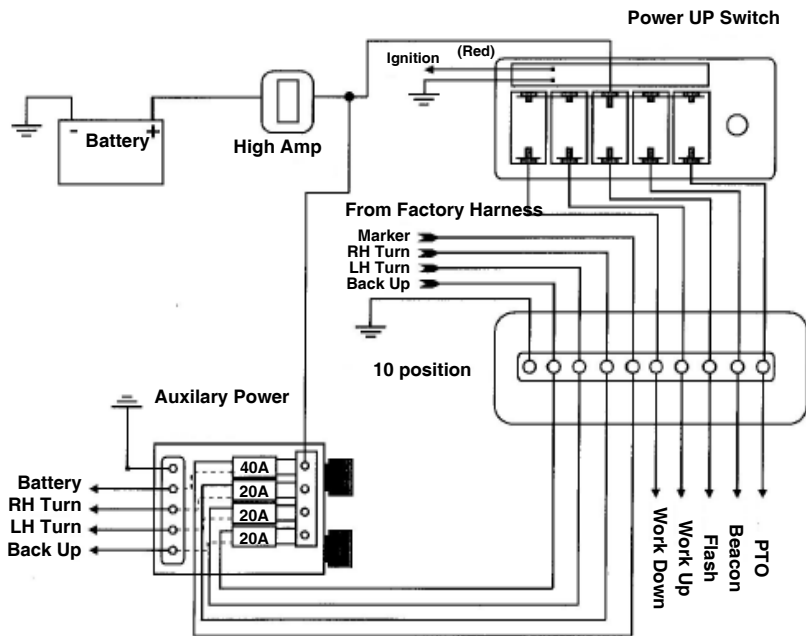
Section V - PARTS

WARN WINCH - AIR FREE SPOOL

REF. NO.	NO. REQ'D	PART NUMBER	DESCRIPTION
1	1	0809644	MTG FRAME WELDMENT - FRONT
2	1	0940240	WARN MTG FRAME REAR ASSEMBLY
2A	1	0809639	MTG FRAME WLDMNT - ROLLER GUIDE REAR
2B	2	0809640	ROLLER GUIDE BUSHING 1.75 x 5.625
2C	2	0809641	ROLLER GUIDE KEEPER PIN
2D	1	A9R281	ROLLER GUIDE BUSHING 1.75 x 7.875
2E	1	A902095	ROLLER GUIDE KEEPER PIN
2F	3	0403161	BOLT, BHCS 3/8-16 UNC x 5/8
3	1	0308936-0908AA	WINCH 9K, 8 IN. DRUM AIR SHIFT
	1	0308936-1208AA	WINCH 12K, 8 IN. DRUM AIR SHIFT
	1	0308936-1508AA	WINCH 15K, 8 IN. DRUM AIR SHIFT
4	2	0403109	BOLT, SHCS 3/8-16 UNC x 7/8
5	1	0751337	TENSION PLATE PIVOT ROD
6	1	0308935R	TENSION SPRING
7	1	0308935L	TENSION SPRING
8	1	0751268	TENSION PLATES
9	1	0752167-W	S10 G2 WARN FLUID TUBE-SHORT
10	1	0752168-W	S10 G2 WARN FLUID TUBE-LONG
11	1	0751974-W	S12 G2 WARN FLUID TUBE-SHORT
12	1	0751975-W	S12 G2 WARN FLUID TUBE-LONG

Section V - PARTS

OPTIONAL DASHBOARD PANEL

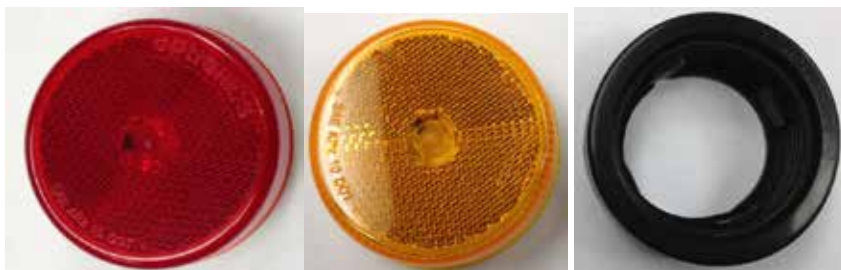


Section V - PARTS

LIGHT KIT



REF. NO.	PART NUMBER	DESCRIPTION
1	0311498	LIGHT 6" OVAL RED LED - STOP/TURN
2	0311500	LIGHT 6" OVAL REVERSE LED
3	3011503	LIGHT 6" GROMMET



REF. NO.	PART NUMBER	DESCRIPTION
1	0311512	LIGHT 2.5" RED REFLEX LED (MCL59RB)
2	0311513	LIGHT 2.5" AMBER REFLEX LED (MCL59AB)
3	0311516	LIGHT 2.5" GROMMET

Section V - PARTS

LIGHT KIT



REF. NO.	PART NUMBER	DESCRIPTION
1	0311514	LIGHT 2.5" ROUND CLEAR/RED LED MARKER LIGHT
2	0311515	LIGHT 2.5" ROUND CLEAR/AMBER LED MARKER LIGHT
3	3011516	LIGHT 2.5" GROMMET



REF. NO.	PART NUMBER	DESCRIPTION
1	0320162	6 IN. CONTROL STATION LED LIGHT

Section V - PARTS

LIGHT KIT & PRESSURE GAUGE



REF. NO.	PART NUMBER	DESCRIPTION
1	0320161	3 IN. CONTROL STATION LED LIGHT



REF. NO.	PART NUMBER	DESCRIPTION
1	0320157	2 IN. HYDRAULIC PRESSURE GAUGE

Section V - PARTS

LIGHT KIT



REF. NO.	PART NUMBER	DESCRIPTION
1	0311519	RED 3/4 LED ICC LIGHT



REF. NO.	PART NUMBER	DESCRIPTION
1	0311520	RED 3/4 LED LIGHT

Section V - PARTS

LIGHT KIT



REF. NO.	PART NUMBER	DESCRIPTION
1	0311521	AMBER 3/4 ROUND LED LIGHT



REF. NO.	PART NUMBER	DESCRIPTION
1	0311522	CLEAR/RED 3/4 ROUND LED LIGHT



REF. NO.	PART NUMBER	DESCRIPTION
1	0311523	CLEAR/AMBER 3/4 ROUND LED LIGHT

Section V - PARTS

LIGHT KIT



REF. NO.	PART NUMBER	DESCRIPTION
1	0308359	MARKER LIGHT RED REFLEX LED



REF. NO.	PART NUMBER	DESCRIPTION
1	0308360	MARKER LIGHT AMBER REFLEX LED

Section V - PARTS

LIGHT KIT



REF. NO.	PART NUMBER	DESCRIPTION
1	0308969R	MARKER LIGHT RED REFLEX LED



REF. NO.	PART NUMBER	DESCRIPTION
1	0308969A	MARKER LIGHT AMBER REFLEX LED

Section V - PARTS

LIGHT KIT



REF. NO.	PART NUMBER	DESCRIPTION
1	0312578	MILLENIUUM MARKER LIGHT CLEAR/AMBER



REF. NO.	PART NUMBER	DESCRIPTION
1	0312579	MILLENIUUM MARKER LIGHT CLEAR/RED

Section V - PARTS

LIGHT KIT



REF. NO.	PART NUMBER	DESCRIPTION
1	0308491	REFLECTOR - AMBER



REF. NO.	PART NUMBER	DESCRIPTION
1	0308490	REFLECTOR - RED

Section V - PARTS

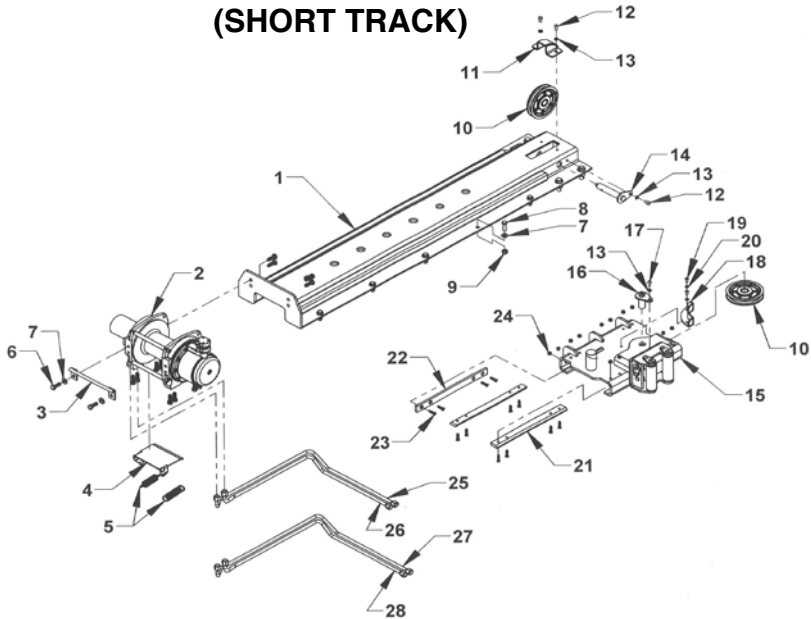
LIGHT KIT



REF. NO.	PART NUMBER	DESCRIPTION
1	0311510	RECTANGULAR REFLEX BACK UP
1	0311511	RECTANGULAR REFLEX BACK UP GROMMET

Section V - PARTS

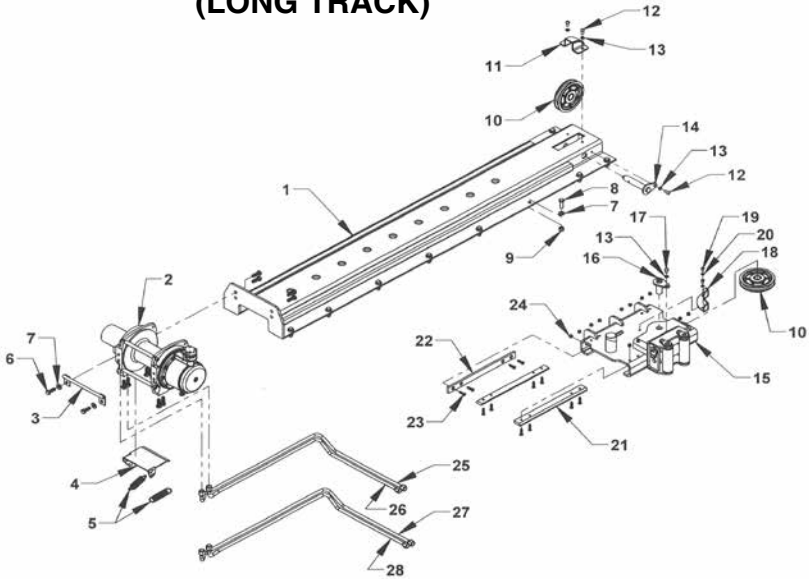
MANUAL SLIDEWINDER (SHORT TRACK)



REF	QTY	PART #	DESCRIPTION
1	1	315210	SLIDE TRACK - SHORT
2	1	711096	SERIES 9 WINCH - 6.5 INCH DRUM
	1	711126	SERIES 12 WINCH - 6.5 INCH DRUM
3	1	7189065	AIR LINE TRANSFER BRACKET
4	1	A90065	CABLE TENSIONER PLATE
5	2	A9018S	TENSION SPRING 40 LB/INCH
6	14	0400733	BOLT M12-1.75 MM x 35 HHC 8.8
7	20	0403040	FLAT WASHER 1/2 SAE
8	14	0400181	BOLT 1/2-13 UNC x 1-1/2 HHC GR5
9	14	0403100	NUT NYLOCK 1/2-13 UNC
10	2	69125	6 x 1 PULLEY
11	1	315225	CABLE GUIDE
12	4	0400878	BOLT 3/8-16 UNC x 3/4 BHC
13	5	0400482	LOCK WASHER 3/8
14	1	315230	PULLEY PIN
15	1	315310	SLIDE CARRIAGE
16	1	315330	PULLEY PIN
17	1	0403161	BOLT 3/8 - 16 UNC x 5/8 BHC
18	1	315325	CABLE GUIDE
19	2	0403158	BOLT 5/16 - 18 UNC x 5/8 BHC
20	2	0400464	LOCK WASHER 5/16
21	1	315320	SLIDE PAD
22	2	315323	FRONT SLIDE PAD
23	12	04000321	SCREW 5/16-18 UNC x 1-1/4 FH TORX
24	12	0400382	NUT NYLOCK 5/16-18 UNC
25	1	383SW0944	ST SLIDEWINDER FLUID TUBE-LONG
26	1	383SW0940	ST SLIDEWINDER FLUID TUBE-SHORT
27	1	07005356	G2 SHORT TRACK SLIDEWINDER FLUID TUBE-LONG
28	1	07005355	G2 SHORT TRACK SLIDEWINDER FLUID TUBE-SHORT

Section V - PARTS

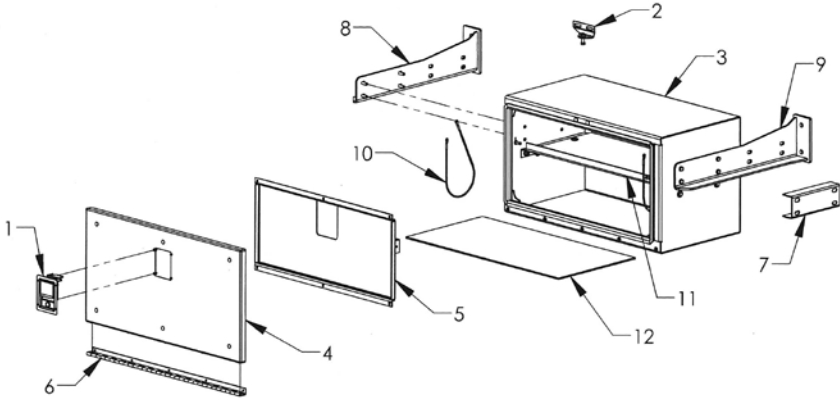
MANUAL SLIDEWINDER (LONG TRACK)



REF	QTY	PART #	DESCRIPTION
1	1	315214	SLIDE TRACK - LONG
2	1	711096	SERIES 9 WINCH - 6.5 INCH DRUM
	1	711126	SERIES 12 WINCH - 6.5 INCH DRUM
3	1	7189065	AIR LINE TRANSFER BRACKET
4	1	A90065	CABLE TENSIONER PLATE
5	2	A9018S	TENSION SPRING 40 LB/INCH
6	14	0400733	BOLT M12-1.75 MM x 35 HHC 8.8
7	22	0403040	FLAT WASHER 1/2 SAE
8	16	0400181	BOLT 1/2-13 UNC x 1-1/2 HHC GR5
9	16	0403100	NUT NYLOCK 1/2-13 UNC
10	2	69125	6 x 1 PULLEY
11	1	315225	CABLE GUIDE
12	4	0400878	BOLT 3/8-16 UNC x 3/4 BHC
13	5	0400482	LOCK WASHER 3/8
14	1	315230	PULLEY PIN
15	1	315310	SLIDE CARRIAGE
16	1	315330	PULLEY PIN
17	1	0403161	BOLT 3/8 -16 UNC x 5/8 BHC
18	1	315325	CABLE GUIDE
19	2	0403158	BOLT 5/16 -18 UNC x 5/8 BHC
20	2	0400464	LOCK WASHER 5/16
21	1	315320	SLIDE PAD
22	2	315323	FRONT SLIDE PAD
23	12	04000321	SCREW 5/16-18 UNC x 1-1/4 FH TORX
24	12	0400382	NUT NYLOCK 5/16-18 UNC
25	1	0751932	G2 LONG TRACK LCG FLUID TUBE-LONG
26	1	0751933	G2 LONG TRACK LCG FLUID TUBE--SHORT
27	1	0752598	G2 LONG TRACK CNV FLUID TUBE-LONG
28	1	0752599	G2 LONG TRACK CNV FLUID TUBE-SHORT

Section V - PARTS

33" ALUMINUM TOOLBOX - 377000

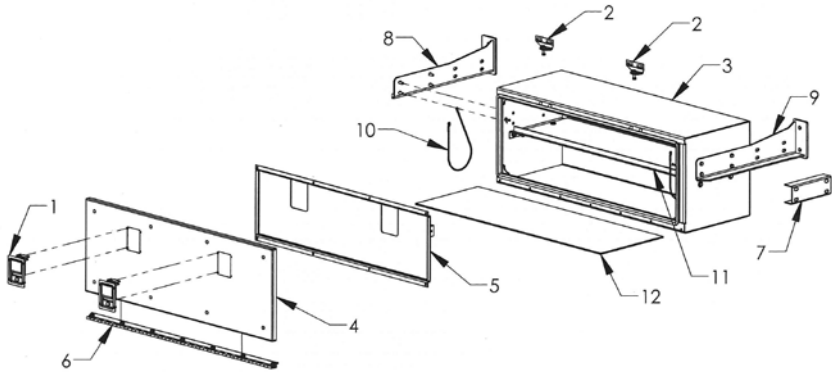


NOTE: 377000 DOES NOT INCLUDE MOUNTING BRACKETS

REF	PART #	DESCRIPTION	QPU
1	54658	ROTARY PADDLE LATCH	1
	54657	GASKET FOR PADDLE LATCH	1
	81111	#8-32 x 1/2 STAINLESS ONE WAY SCREW	4
	83111	#8-32 STAINLESS KEPT NUT	4
2	376182	STRIKER PIN MOUNTING PLATE	1
	54659	STRIKER PIN	1
	81115	STAINLESS CARRIAGE BOLT 5/16-18 x 3/4	2
	82110	FLAT WASHER 5/16	4
	82130	LOCK WASHER 5/16	2
	83110	NUT 5/16-18	2
	83125	NYLON LOCK NUT 5/16-18	1
3	377100W	BOX WELDMENT	1
4	37741	DOOR WELDMENT	1
	37740	DOOR ASSEMBLY	1
	81100	STAINLESS CARRIAGE BOLT 1/4-20 x 3/4	6
	83105	NYLON LOCK NUT 1/4-20	6
5	37744	DOOR REINFORCEMENT	1
6	37735	HINGE	1
	811014	SS SOCKET BUTTON HEAD BOLT 1/4-20 x 7/8	2
	811012	SS SOCKET BUTTON HEAD BOLT 1/4-20 x 3/4	3
	811010	SS SOCKET BUTTON HEAD BOLT 1/4-20 x 5/8	5
	83105	NYLON LOCK NUT 1/4-20	10
7	37760	TANDEM BOX SPACER CHANNEL (OPTIONAL)	1
8	37855R	TANK AND TOOLBOX MT BRACKET-RH	1
9	37855L	TANK AND TOOLBOX MT BRACKET-LH	1
10	5A221	LANYARD-21 INCH	2
11	37770	SHELF	1
12	03002300	TOOLBOX MAT 33"	1

Section V - PARTS

49" ALUMINUM TOOLBOX - 378000

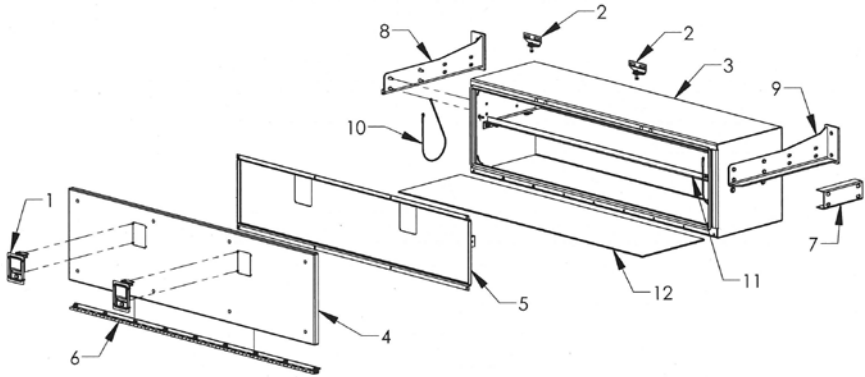


NOTE: 378000 DOES NOT INCLUDE MOUNTING BRACKETS

REF	PART #	DESCRIPTION	QPU
1	54658	ROTARY PADDLE LATCH	1
	54657	GASKET FOR PADDLE LATCH	1
	81111	#8-32 x 1/2 STAINLESS ONE WAY SCREW	4
	83111	#8-32 STAINLESS KEPT NUT	4
2	376182	STRIKER PIN MOUNTING PLATE	1
	54659	STRIKER PIN	1
	81115	STAINLESS CARRIAGE BOLT 5/16-18 x 3/4	2
	82110	FLAT WASHER 5/16	4
	82130	LOCK WASHER 5/16	2
	83110	NUT 5/16-18	2
	83125	NYLON LOCK NUT 5/16-18	1
	3	378100W	BOX WELDMENT
4	37841	DOOR WELDMENT	1
	37840	DOOR ASSEMBLY	1
	81100	STAINLESS CARRIAGE BOLT 1/4-20 x 3/4	6
	83105	NYLON LOCK NUT 1/4-20	6
	5	37844	DOOR REINFORCEMENT
6	37835	HINGE	1
	811014	SS SOCKET BUTTON HEAD BOLT 1/4-20 x 7/8	2
	811012	SS SOCKET BUTTON HEAD BOLT 1/4-20 x 3/4	3
	811010	SS SOCKET BUTTON HEAD BOLT 1/4-20 x 5/8	5
	83105	NYLON LOCK NUT 1/4-20	10
7	37760	TANDEM BOX SPACER CHANNEL (OPTIONAL)	1
8	37855R	TANK AND TOOLBOX MT BRACKET-RH	1
9	37855L	TANK AND TOOLBOX MT BRACKET-LH	1
10	5A221	LANYARD-21 INCH	2
11	37670	SHELF	1
12	03002301	TOOLBOX MAT 49"	1

Section V - PARTS

65" ALUMINUM TOOLBOX - 379000

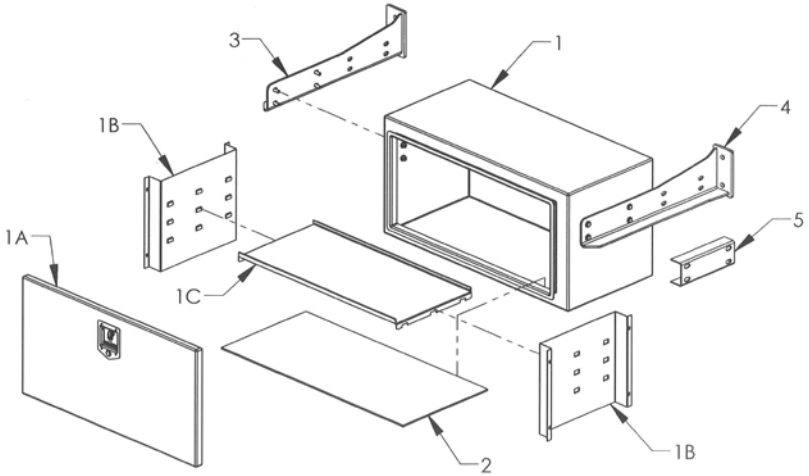


NOTE: 379000 DOES NOT INCLUDE MOUNTING BRACKETS

REF	PART #	DESCRIPTION	QPU	
1	54658	ROTARY PADDLE LATCH	1	
	54657	GASKET FOR PADDLE LATCH	1	
	81111	#8-32 x 1/2 STAINLESS ONE WAY SCREW	4	
	83111	#8-32 STAINLESS KEPT NUT	4	
2	376182	STRIKER PIN MOUNTING PLATE	1	
	54659	STRIKER PIN	1	
	81115	STAINLESS CARRIAGE BOLT 5/16-18 x 3/4	2	
	82110	FLAT WASHER 5/16	4	
	82130	LOCK WASHER 5/16	2	
	83110	NUT 5/16-18	2	
	83125	NYLON LOCK NUT 5/16-18	1	
	3	379100W	BOX WELDMENT	1
4	37941	DOOR WELDMENT	1	
	37940	DOOR ASSEMBLY	1	
	81100	STAINLESS CARRIAGE BOLT 1/4-20 x 3/4	6	
	83105	NYLON LOCK NUT 1/4-20	6	
5	37944	DOOR REINFORCEMENT	1	
	6	37935	HINGE	1
		811014	SS SOCKET BUTTON HEAD BOLT 1/4-20 x 7/8	2
		811012	SS SOCKET BUTTON HEAD BOLT 1/4-20 x 3/4	3
		811010	SS SOCKET BUTTON HEAD BOLT 1/4-20 x 5/8	5
83105		NYLON LOCK NUT 1/4-20	10	
7	37760	TANDEM BOX SPACER CHANNEL (OPTIONAL)	1	
8	37855R	TANK AND TOOLBOX MT BRACKET-RH	1	
9	37855L	TANK AND TOOLBOX MT BRACKET-LH	1	
10	5A221	LANYARD-21 INCH	2	
11	37970	SHELF	1	
12	03002302	TOOLBOX MAT 65"	1	

Section V - PARTS

36" STEEL TOOLBOX LCG - 174016021

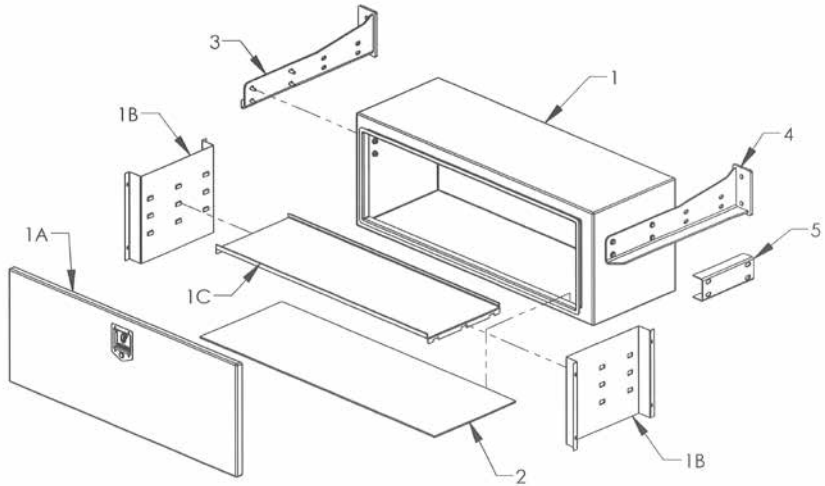


NOTE: 174016023 DOES NOT INCLUDE MOUNTING BRACKETS

REF	QPU	PART NO.	DESCRIPTION
1	1	174016021	STEEL TOOLBOX 36" WITH STAINLESS STEEL DOOR
1A	1	174016021D	SS DOOR ASSEMBLY
1B	2	07002918	STEEL TOOLBOX INSIDE PANEL
1C	1	07002919-36	STEEL TOOLBOX 36" SHELF
2	1	0308801	TOOLBOX MAT 36"
3	1	37855R	TOOLBOX AND OIL TANK MTG BRACKET-RH
4	1	37855L	TOOLBOX AND OIL TANK MTG BRACKET-LH
5	1	37760	TANDEM BOX SPACER CHANNEL (OPT)

Section V - PARTS

48" STEEL TOOLBOX LCG - 174016022

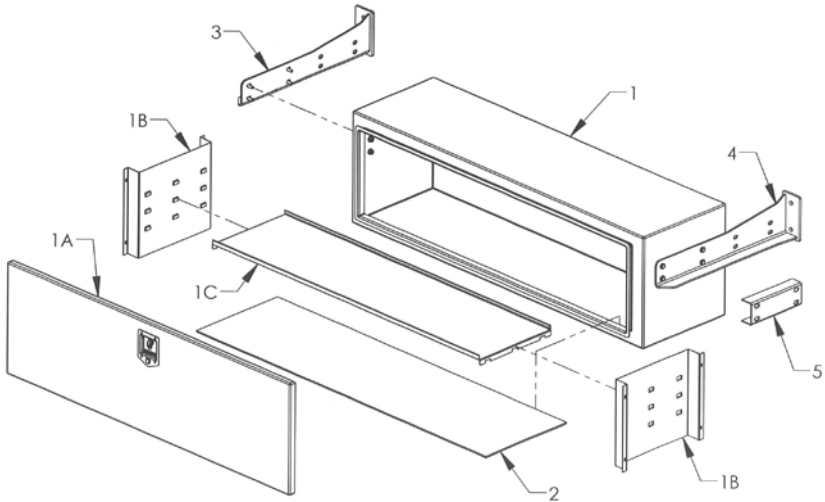


NOTE: 174016023 DOES NOT INCLUDE MOUNTING BRACKETS

REF	QPU	PART NO.	DESCRIPTION
1	1	174016022	STEEL TOOLBOX 48" WITH STAINLESS STEEL DOOR
1A	1	174016022D	SS DOOR ASSEMBLY
1B	2	07002918	STEEL TOOLBOX INSIDE PANEL
1C	1	07002919-48	STEEL TOOLBOX 48" SHELF
2	1	0308758	TOOLBOX MAT 48"
3	1	37855R	TOOLBOX AND OIL TANK MTG BRACKET-RH
4	1	37855L	TOOLBOX AND OIL TANK MTG BRACKET-LH
5	1	37760	TANDEM BOX SPACER CHANNEL (OPT)

Section V - PARTS

60" STEEL TOOLBOX LCG - 174016023

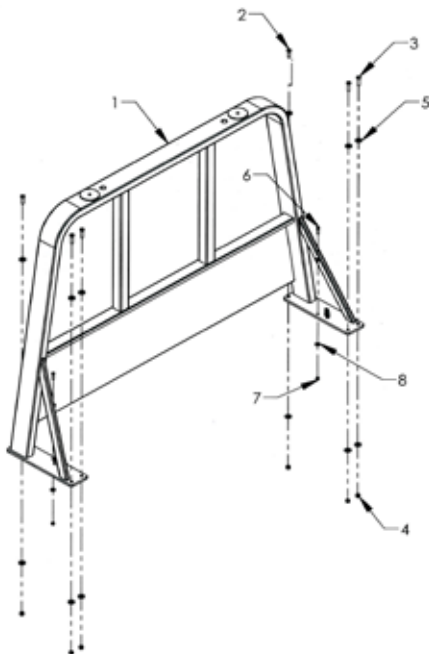


NOTE: 174016023 DOES NOT INCLUDE MOUNTING BRACKETS

REF	QPU	PART NO.	DESCRIPTION
1	1	174016023	STEEL TOOLBOX 60" WITH STAINLESS STEEL DOOR
1A	1	174016023D	SS DOOR ASSEMBLY
1B	2	07002918	STEEL TOOLBOX INSIDE PANEL
1C	1	07002919-60	STEEL TOOLBOX 60" SHELF
2	1	0308837	TOOLBOX MAT 60"
3	1	37855R	TOOLBOX AND OIL TANK MTG BRACKET-RH
4	1	37855L	TOOLBOX AND OIL TANK MTG BRACKET-LH
5	1	37760	TANDEM BOX SPACER CHANNEL (OPT)

Section V - PARTS

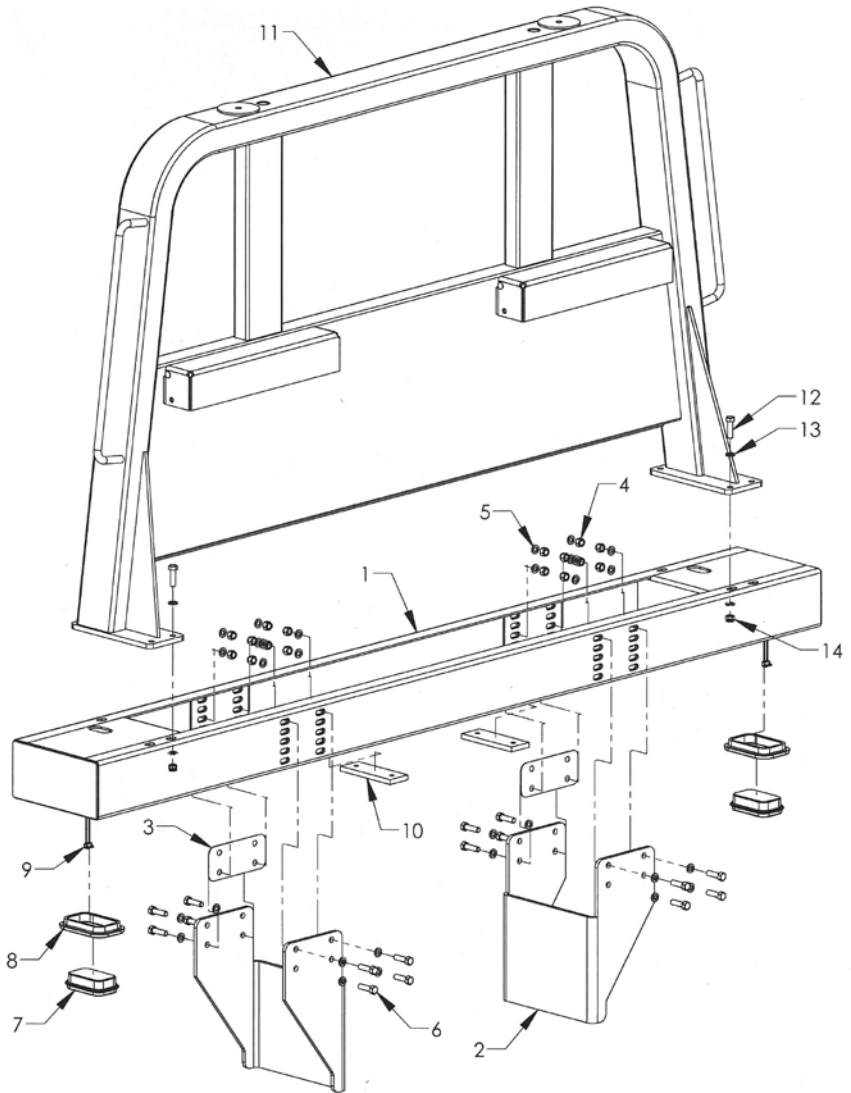
BED MOUNTED CAB PROTECTOR



REF. NO.	NO. REQ'D	PART NUMBER	DESCRIPTION
1	1	0809558-38	2 x 5 PERIMETER TUBE CAB PROTECTOR - 38"
		0809558-42	2 x 5 PERIMETER TUBE CAB PROTECTOR - 42"
		0809558-45	2 x 5 PERIMETER TUBE CAB PROTECTOR - 45"
		0809558-48	2 x 5 PERIMETER TUBE CAB PROTECTOR - 48"
		0809558-50	2 x 5 PERIMETER TUBE CAB PROTECTOR - 50"
		0809558-52	2 x 5 PERIMETER TUBE CAB PROTECTOR - 52"
		0809558-54	2 x 5 PERIMETER TUBE CAB PROTECTOR - 54"
		0809558-57	2 x 5 PERIMETER TUBE CAB PROTECTOR - 57"
		0809558-60	2 x 5 PERIMETER TUBE CAB PROTECTOR - 60"
		0809558-64	2 x 5 PERIMETER TUBE CAB PROTECTOR - 64"
2	2	0400211	1/2 -13 x 1-3/4 HHCS GR 5 Z
3	4	0400188	1/2 -13 x 2 HHCS
4	6	0400408	1/2 -13 NYLON LOCK NUT ZINC
5	12	0400492	1/2 USS FLAT WASHER ZINC
6	2	0400132	3/8 -16 x 1-1/2 HHCS GR 5 Z
7	2	0400392	3/8 -16 NYLON LOCK NUT ZINC
8	4	0400480	3/8 - USS FLAT WASHER ZINC

Section V-PARTS

FRAME MOUNTED PYLON - 0940455-102 LCG BASE ASSEMBLY



GRAB HANDLES AND CHAIN HANGERS ARE OPTIONAL PYLON EQUIPMENT

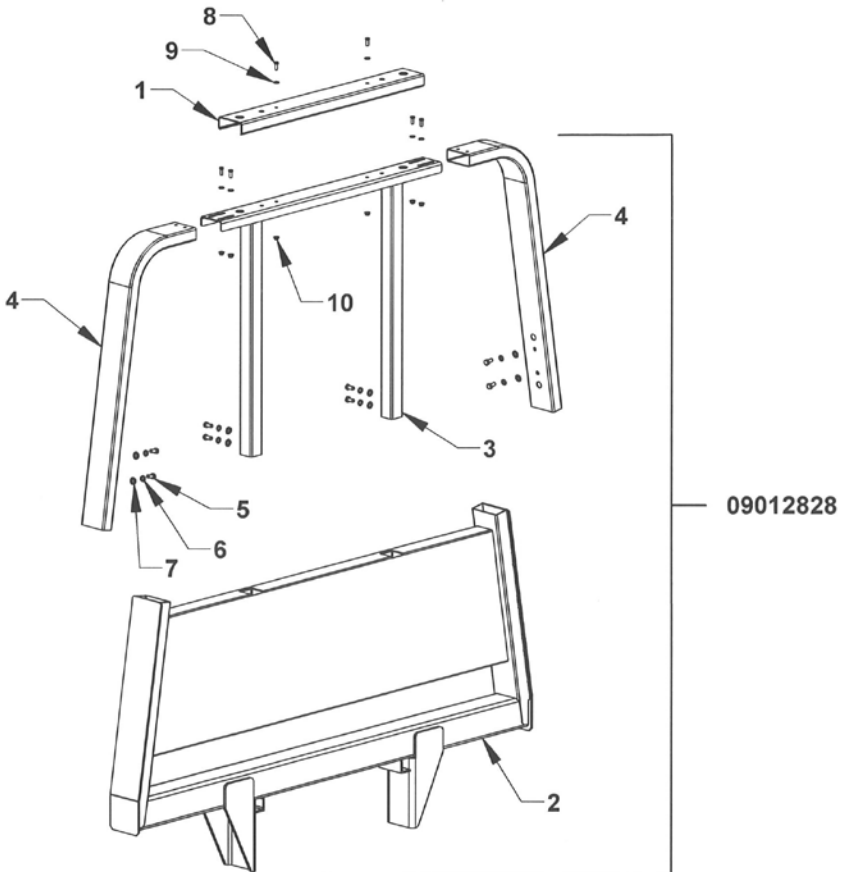
Section V - PARTS

FRAME MOUNTED PYLON - 0940455-102

REF. NO.	NO. REQ'D	PART NUMBER	DESCRIPTION
1	1	0811186-102	FMP CONVENTIONAL CHAIN TRAY BASE - 102
2	2	0752751	PYLON MTG BRACKET, FMP LCG
3	2	0752730	SHIM, 16 GAGE, FMP BASE
4	16	0400408	NYLON LOCK NUT 1/2-13 UNC
5	32	0403040	FLAT WASHER 1/2 SAE ZP
6	16	0403058	BOLT HHCS 1/2-13 x 1-3/4 GR8 PLAIN
7	2	0311511	CARRIER TAIL LIGHT GROMMET
8	2	0311509	LIGHT RECT REVERSE LED
9	2	0311506	LIGHT PIGTAIL 2 PRONG 18 IN. LEAD
10	2	354614-050	FMP 1/2 IN. SPACER SERIES 12 LCG
		354614-100	FMP 1 IN. SPACER SERIES 16 LCG
		354614-150	FMP 1-1/2 IN. SPACER SERIES 20 LCG
		354614-075/175	FMP 2-1/2 IN. SPACER SERIES 20 LCG WOOD
		354614-050/175	FMP 2-1/4 IN. SPACER SERIES 30 LCG
		354614-150/175	FMP 3-1/4 IN. SPACER SERIES 30 LCG WOOD
11	1	0811185-48	FMP 12 PYLON-48
		0811185-50	FMP 12 PYLON-50
		0811185-52	FMP 12 PYLON-52
		0811185-56	FMP 12 PYLON-56
		0811185-60	FMP 12 PYLON-60
		0811185-63	FMP 12 PYLON-63
		0811185-68	FMP 12 PYLON-68
12	6	0403058	BOLT HHCS 1/2-13 x 1-3/4 GR8 PLAIN
13	12	0403040	FLAT WASHER 1/2 SAE ZP
14	6	0400408	NYLON LOCK NUT 1/2-13 UNC

Section V-PARTS

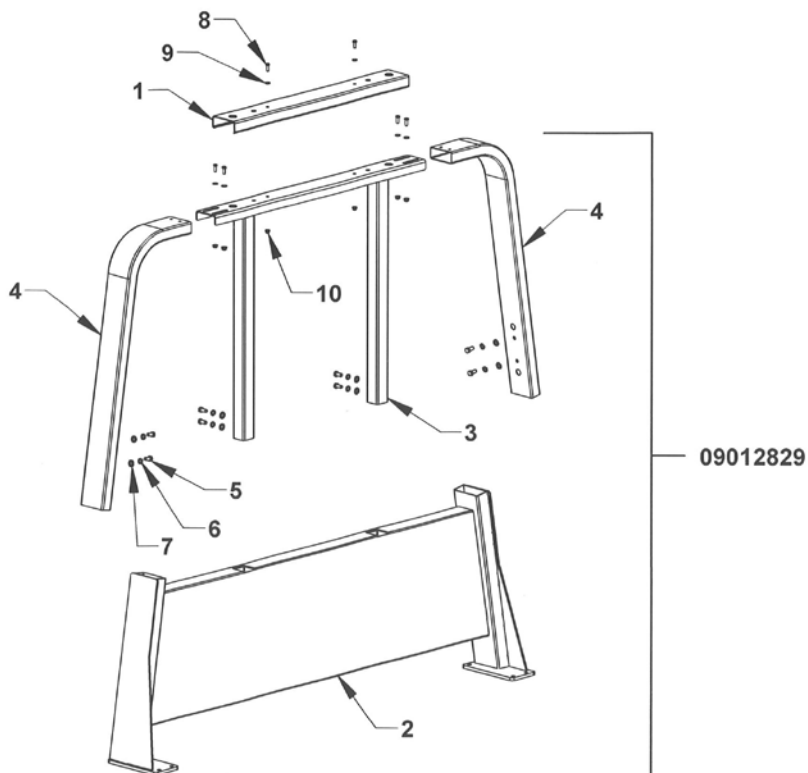
ADJUSTABLE CAB PROTECTOR 09012828-XX (FRAME MOUNTED 5 INCH BASE)



REF. NO.	NO. REQ'D	PART NUMBER	DESCRIPTION
1	1	07011335-46	CAB PROTECTOR TRIM CHANNEL
2	1	08011111	ADJUSTABLE CAB PROTECTOR BASE FMP 5"
3	1	08007570	LCG CAB PROTECTOR CENTER SUPPORT
4	2	08007571	ADJUSTABLE SIDE TUBE
5	8	0400176	BOLT HHCS 1/2-13 UNC x 1 GR5
6	8	0400491	LOCK WASHER 1/2 ZP
7	8	0403128	FLAT WASHER 1/2 ZP
8	6	0400126	BOLT HHCS 3/8-16 UNC x 1 GR5
9	6	0400480	FLAT WASHER 3/8 ZP
10	6	04002907	NUT, FLANGED NYLOK 3/8-16 UNC ZP

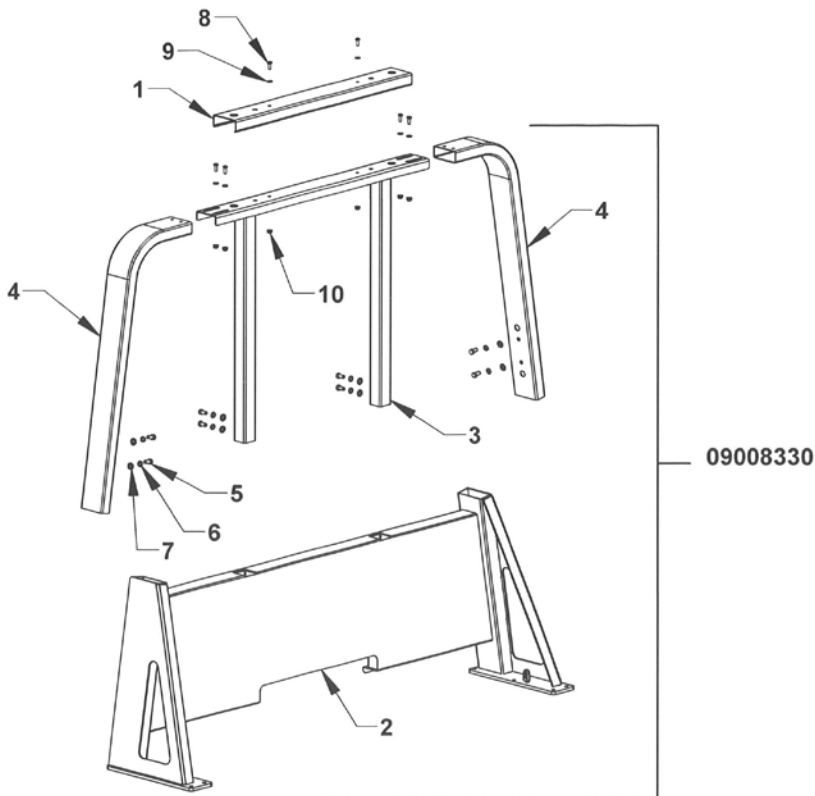
Section V-PARTS

ADJUSTABLE CAB PROTECTOR 09012829-XX (FRAME MOUNTED 12 INCH BASE)



REF. NO.	NO. REQ'D	PART NUMBER	DESCRIPTION
1	1	07011335-46	CAB PROTECTOR TRIM CHANNEL
2	1	08011110	ADJUSTABLE CAB PROTECTOR BASE FMP
3	1	08007570	12" CAB PROTECTOR CENTER SUPPORT
4	2	08007571	ADJUSTABLE SIDE TUBE
5	8	0400176	BOLT HHCS 1/2-13 UNC x 1 GR5
6	8	0400491	LOCK WASHER 1/2 ZP
7	8	0403128	FLAT WASHER 1/2 ZP
8	6	0400126	BOLT HHCS 3/8-16 UNC x 1 GR5
9	6	0400480	FLAT WASHER 3/8 ZP
10	6	04002907	NUT, FLANGED NYLOK 3/8-16 UNC ZP

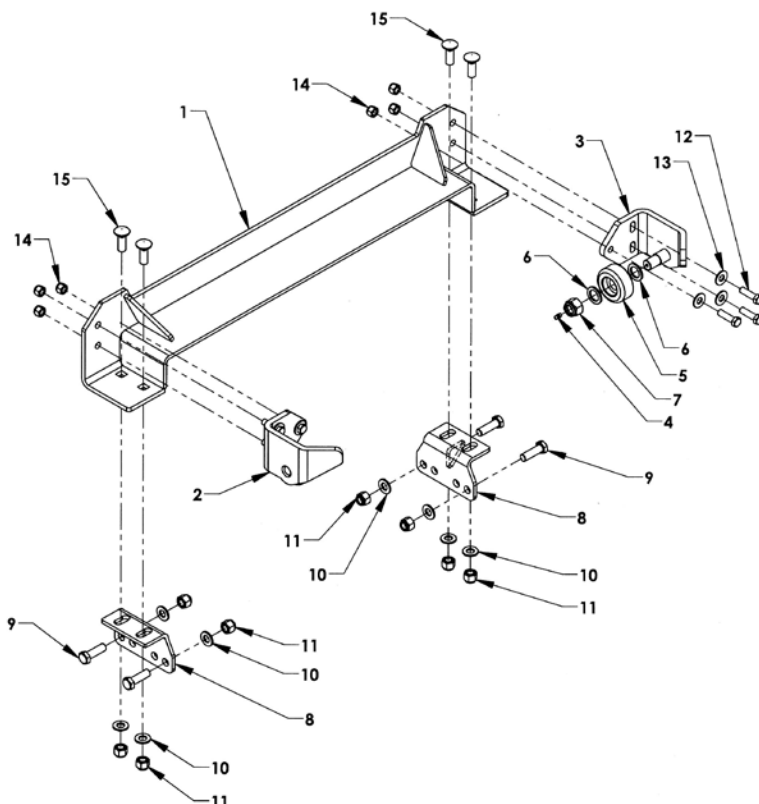
Section V-PARTS
ADJUSTABLE CAB PROTECTOR 09008330-XX
(BED MOUNTED)



REF. NO.	NO. REQ'D	PART NUMBER	DESCRIPTION
1	1	07011335-46	CAB PROTECTOR TRIM CHANNEL
2	1	08017569	ADJUSTABLE CAB PROTECTOR BASE
3	1	08007570	CAB PROTECTOR CENTER SUPPORT
4	2	08007571	ADJUSTABLE SIDE TUBE
5	8	0400176	BOLT HHCS 1/2-13 UNC x 1 GR5
6	8	0400491	LOCK WASHER 1/2 ZP
7	8	0403128	FLAT WASHER 1/2 ZP
8	6	0400126	BOLT HHCS 3/8-16 UNC x 1 GR5
9	6	0400480	FLAT WASHER 3/8 ZP
10	6	04002907	NUT, FLANGED NYLOK 3/8-16 UNC ZP

Section V - PARTS

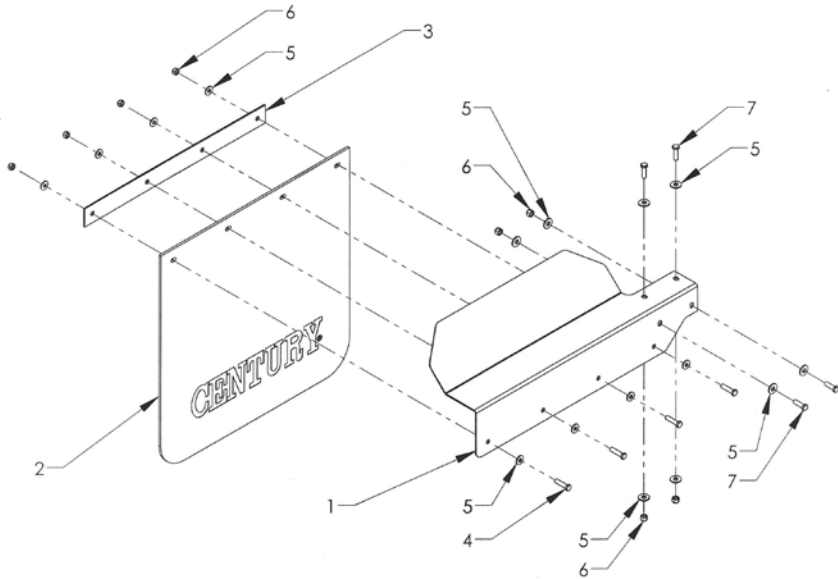
BODY LOCK ASSEMBLY - 364220K



REF. NO.	NO. REQ'D	PART NUMBER	DESCRIPTION
1	1	364220	LCG BODY LOCK WELDMENT-SETBACK CAPABLE
2	1	36315L	BODY LOCK HOLD-DOWN - LH
3	1	36315R	BODY LOCK HOLD-DOWN - RH
4	2	0306382	GREASE FITTING 1/4-28
5	2	36310	ROLLER WHEEL
6	4	0400470	FLAT WASHER 1
7	2	04001225	NYLON LOCK NUT, 7/8-14 UNF
8	2	0809183	MOUNTING BRACKET
9	4	0400260	BOLT, 5/8-11 HHCS UNC x 2 GRADE 5
10	8	0400505	FLAT WASHER 5/8
11	8	0400421	NYLON LOCK NUT, 5/8-11 UNC
12	6	0400218	BOLT, HHCS 1/2-20 UNF x 1-1/4
13	6	0400492	FLAT WASHER, 1/2 IN.
14	6	0400413	NYLON LOCK NUT, 1/2-20 UNF
15	4	0403068	CARRIAGE BOLT 5/8-11 x 1-3/4

Section V - PARTS

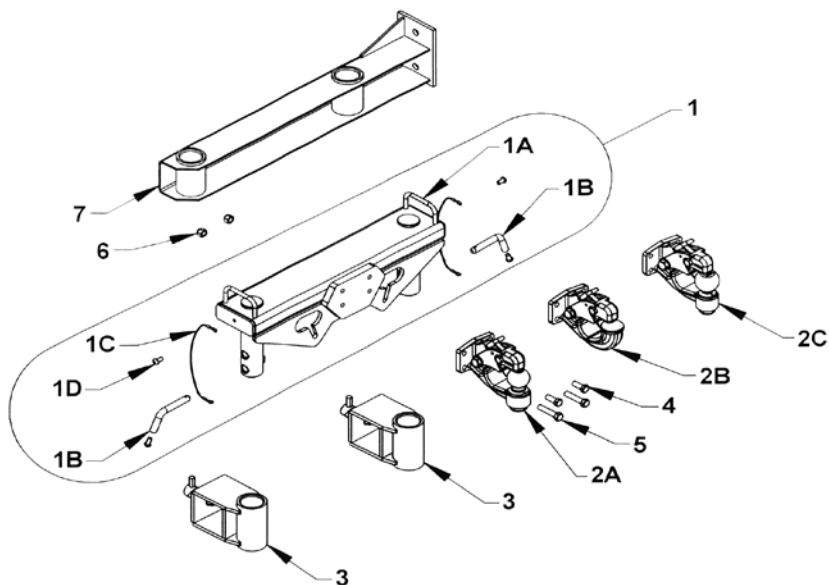
MUDFLAP COMPONENTS



REF	PART #	DESCRIPTION	QPU
1	0751024L	MUDFLAP MOUNTING BRACKET (LH)	1
	0751024R	MUDFLAP MOUNTING BRACKET (RH)	1
2	0308419	MUDFLAP 24 x 24	1
3	0750340	MUDFLAP SUPPORT BAR	1
4	0400132	BOLT HHCS 3/8-16 UNC x 1-1/2	4
5	0400480	3/8 FLAT WASHER	16
6	0400392	3/8-16 NYLON LOCK NUT	16
7	0400122	BOLT HHCS 3/8-16 UNC x 1-1/4 GR5	4

Section V - PARTS

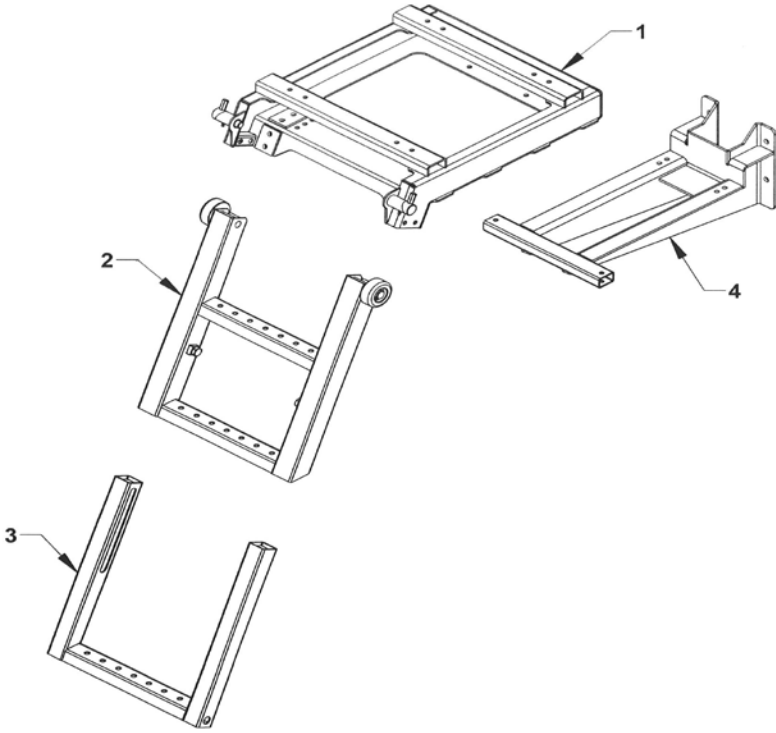
PINTLE ATTACHMENT GROUP



REF	PART NO.	QTY	DESCRIPTION
1	66370G	1	PINTLE ATTACHMENT
1A	66370	1	PINTLE ATTACHMENT WELDMENT
1B	66378	2	RETAINING PIN
1C	65292	2	LANYARD
1D	0403004	4	BOLT BHCS 3/8-16 x 3/4
2A	174017159	1	TOW BALL PINTLE HITCH - 2 IN. BALL
2B	174017156	1	PINTLE HOOK
2C	174017172	1	TOW BALL PINTLE HITCH - 2-5/16 IN. BALL
3	65460	1	FORK HOLDER - 3.5 x 3.5
4	04000005	2	BOLT HHCS 1/2-13 x 1.25 GRADE 8 SECURE WITH LOCTITE
5	0403056	2	BOLT HHCS 1/2-13 x 2-1/2 GRADE 8
6	0400408	2	NUT, NYLOK 1/2-13
7	66385	1	PINTLE ATTACHMENT STORAGE BRACKET

Section V - PARTS

LCG RETRACTABLE LADDER



REF	PART #	DESCRIPTION	QPU
	391000	LADDER ASSEMBLY	1
1	391010	LADDER CARRIAGE	1
	391020	UPPER RUNG ASSEMBLY	1
2	391030	LOWER RUNG ASSEMBLY	1
3	391050	FRAME MOUNTING BRACKET - OPTIONAL	1
4			