

**NUR FÜR INTERNEN GEBRAUCH  
FOR INTERNAL USE ONLY**

## Chassis T5

<b>19 VLE 2000 T</b>	GBI0419
<b>22 VLE 2000 C</b>	GBI0222, GBI0322
<b>22 VLE 2000 T</b>	GBI0522
<b>22-2010 T/C Black</b>	GBI0022

## Hamburg

<b>22-2940 T</b>	GBH8722
<b>22-2942 T/C</b>	GBI8022

## Leemaxx

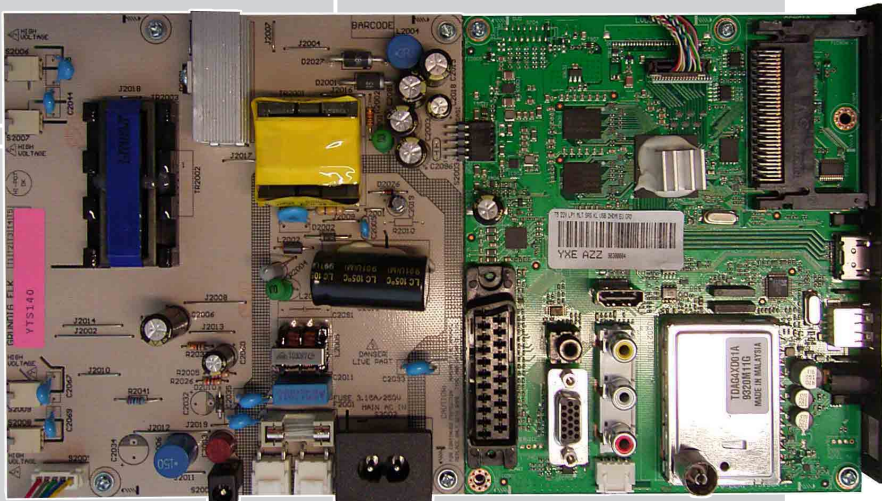
<b>19 HD BR</b>	GBH4922
<b>19 HD WP</b>	GBI4819
<b>19 HD/C BA</b>	GBH4932, GBI3219
<b>19 HD/C BR</b>	GBH4031, GBI3419
<b>19 HD/C WG</b>	GBH4035
<b>19 HD/C WP</b>	GBH4039
<b>19 HD/C WS</b>	GBH4029
<b>19 HD/CR BA</b>	GBI3819
<b>19 HD/CR BO</b>	GBI4119
<b>19 HD/CR BR</b>	GBI4019
<b>19 HD/CR WG</b>	GBI4219
<b>19 HD/CR WP</b>	GBI4319
<b>19 HD/CR WS</b>	GBI3919
<b>19 T4</b>	GBH4920, GBH4921, GBI5519

## Vision

<b>22-2940 H</b>	GBH8322
------------------	---------

## Vision 2

<b>16-2941 T/C</b>	GBH4026
<b>19-2940 T</b>	GBH4019
<b>19-2941 T/C</b>	GBH4036, GBH4056
<b>22-2940 T</b>	GBH4022
<b>22-2941 T/C</b>	GBH4046, GBH4066



Zusätzlich erforderliche Unterlagen für den Komplettservice  
Additionally required Service Documents for the Complete Service

### Service Manual

Sicherheit  
Safety

Materialnr./Part No.  
720108000001

Materialnummer / Part Number 720100546000

Änderungen vorbehalten / Subject to alteration

TCC 0710 MP • Prepared in Germany

<http://www.grundig.com>

Es gelten die Vorschriften und Sicherheitshinweise gemäß dem Service Manual "Sicherheit", Materialnummer 720108000001, sowie zusätzlich die eventuell abweichenden, landesspezifischen Vorschriften!



The regulations and safety instructions shall be valid as provided by the "Safety" Service Manual, part number 720108000001, as well as the respective national deviations.

## Inhaltsverzeichnis

	Seite
<b>Allgemeiner Teil</b> .....	<b>1-2...1-30</b>
Allgemeine Hinweise .....	1-2
Ausbauhinweise .....	1-3
Geräte- und Displayvarianten .....	1-4
Technische Daten .....	1-5
Bedienhinweise .....	1-11
Service- und Sonderfunktionen .....	1-29
 <b>Platinenabbildungen und Schaltpläne</b> .....	 <b>2-1...2-45</b>
Chassisplatte YTS190R-5 .....	2-1
– Netzteil/LVDS .....	2-8
– Tuner .....	2-9
– COFDM Demodulator .....	2-9
– Interface DVD, AV, Hotel, USB .....	2-10
– SCART, VGA .....	2-10
– HDMI .....	2-11
– Common Interface .....	2-11
– Scaler .....	2-12
– Scaler-RAM .....	2-14
– Verstärker .....	2-14
Chassisplatte YTS190R-12 .....	2-15
– Netzteil/LVDS .....	2-22
– Tuner .....	2-23
– COFDM Demodulator .....	2-23
– Interface DVD, AV, Hotel, USB .....	2-24
– SCART, VGA .....	2-25
– HDMI .....	2-26
– Common Interface .....	2-26
– Scaler .....	2-27
– Scaler-RAM .....	2-29
– Verstärker .....	2-29
Netzteil-/Inverterplatte B6C194 .....	2-30
Netzteil-/Inverterplatte YSY194 .....	2-32
Netzteil-/Inverterplatte YTF194 .....	2-36
Netzteil-/LED-Konverterplatte YXE194 .....	2-40
Adapter VEX193, YMU195 .....	2-44
IR-LED-Platte YMU193 .....	2-44
Keyboards YAJ192, YMU192, YSU192, YSW192 .....	2-44
USB-Platte YMU197 .....	2-45
Uhr XLA198 .....	2-45
 <b>Ersatzteillisten</b> .....	 <b>3-1...3-27</b>

## Table of Contents

	Page
<b>General Section</b> .....	<b>1-2...1-30</b>
General Notes .....	1-2
Disassembling Hints .....	1-3
Product and Display Variants .....	1-4
Technical Data .....	1-5
Operating Hints .....	1-20
Service and Special Functions .....	1-29
 <b>Layout of the PCBs and Circuit Diagrams</b> .....	 <b>2-1...2-45</b>
Chassis Board YTS190R-5 .....	2-1
– Power Supply/LVDS .....	2-8
– Tuner .....	2-9
– COFDM Demodulator .....	2-9
– Interface DVD, AV, Hotel, USB .....	2-10
– SCART, VGA .....	2-10
– HDMI .....	2-11
– Common Interface .....	2-11
– Scaler .....	2-12
– Scaler RAM .....	2-14
– Amplifier .....	2-14
Chassis Board YTS190R-12 .....	2-15
– Power Supply/LVDS .....	2-22
– Tuner .....	2-23
– COFDM Demodulator .....	2-23
– Interface DVD, AV, Hotel, USB .....	2-24
– SCART, VGA .....	2-25
– HDMI .....	2-26
– Common Interface .....	2-26
– Scaler .....	2-27
– Scaler RAM .....	2-29
– Amplifier .....	2-29
Power Supply/Inverter Board B6C194 .....	2-30
Power Supply/Inverter Board YSY194 .....	2-32
Power Supply/Inverter Board YTF194 .....	2-36
Power Supply/LED Converter Board YXE194 .....	2-40
Adapter VEX193, YMU195 .....	2-44
IR LED Board YMU193 .....	2-44
Keyboards YAJ192, YMU192, YSU192, YSW192 .....	2-44
USB Board YMU197 .....	2-45
Clock XLA198 .....	2-45
 <b>Spare Parts Lists</b> .....	 <b>3-1...3-27</b>

## Allgemeiner Teil

### Allgemeine Hinweise

Vor dem Öffnen des Gehäuses den Netzstecker ziehen!

**Achtung: ESD-Vorschriften beachten** 

#### Leitungsverlegung

Bevor Sie die Leitungen und insbesondere die Masseleitungen lösen, muss die Leitungsverlegung zu den einzelnen Baugruppen beachtet werden.

Nach erfolgter Reparatur ist es notwendig, die Leitungsführung wieder in den werkseitigen Zustand zu versetzen um evtl. spätere Ausfälle oder Störungen zu vermeiden.

## General Section

### General Notes

Before opening the cabinet disconnect the mains plug!

**Attention: Observe the ESD safety regulations** 

#### Wiring

Before disconnecting any leads and especially the earth connecting leads observe the way they are routed to the individual assemblies.

On completion of the repairs the leads must be laid out as originally fitted at the factory to avoid later failures or disturbances.

### Durchführen von Messungen

Bei Messungen mit dem Oszilloskop an Halbleitern sollten Sie nur Tastköpfe mit 10:1 -Teiler verwenden. Außerdem ist zu beachten, dass nach vorheriger Messung mit AC-Kopplung der Koppelkondensator des Oszilloskops aufgeladen sein kann. Durch die Entladung über das Messobjekt können Bauteile beschädigt werden.

### Messwerte und Oszillogramme

Bei den in den Schaltplänen und Oszillogrammen angegebenen Messwerten handelt es sich um Näherungswerte!

### Kindersicherung

Mit der Master-Pin 2356 kann die Einstellung der persönlichen Pin geändert werden.

### Hotel-Mode

Bei aktivierter Funktion ist die maximale Lautstärke begrenzt und das Menü "INSTALLATION" ist nicht mehr anwählbar.  
 Aufruf: M → 8500 → ▼ "OPTION 1" → OK → ▲▼ "Hotel" → ◀▶ "AVAIL".  
 Maximale Lautstärke: M → 8500 → ▼ "OPTION 1" → OK → ▲▼ "Hotel Volume" → ◀▶ Wert 0...100.

### Hotel-Mode kurzzeitig ausschalten

Bei dieser Funktion ist der Hotel-Mode bis zum nächsten Ausschalten (Standby) des Gerätes deaktiviert.  
 Aufruf: M → 4658 → ◀▶

### Cloning-Funktion für Programmtabelle

Mit dieser Funktion ist die Übertragung der Programmtabelle von einem Gerät auf ein weiteres gleicher Serie möglich.

#### Programmtabelle auf USB-Stick kopieren:

Gegebenenfalls Hotel-Mode kurzzeitig ausschalten (s.o.) → leeren USB-Stick anschließen → ◀▶ "Nein" → OK → M → ◀▶ "INSTALLATION" → ▼ "Programmtabelle" ▶ → 8500 → ◀▶ "DTV", "ATV" oder "All" → ▼ "Save" → OK.

#### Programmtabelle in anderes Gerät gleicher Serie übertragen:

Gegebenenfalls Hotel-Mode kurzzeitig ausschalten (s.o.) → USB-Stick anschließen → "Nein" → OK → M → ◀▶ "INSTALLATION" → ▼ "Programmtabelle" ▶ → 8500 → ◀▶ "DTV", "ATV" oder "All" → ▼ "Load" → OK.

## Ausbauhinweise

### Rückwand abnehmen

- 2 Schrauben (A) im Gerätefuß (Fig. 1) herausschrauben und Fuß abnehmen.
- 4 Schrauben (B) / (C) (Fig. 2) herausschrauben.
- Rückwand nach oben klappen und abnehmen (dabei lösen sich die Rastnasen).

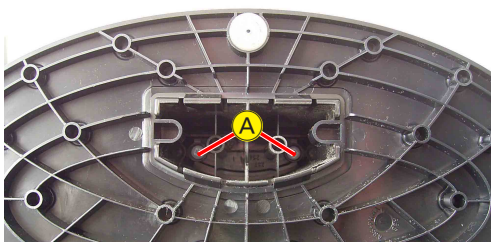


Fig. 1



Fig. 2

## Carrying out Measurements

When making measurements on semi-conductors with an oscilloscope, ensure that the test probe is set to 10:1 dividing factor. If the previous measurement was made on AC input, please note that the coupling capacitor in the oscilloscope will be charged. Discharge via the item being checked can damage the components.

## Measured Values and Oscillograms

The measured values given in the circuit diagrams and oscillograms are approximates!

## Parental Control

The personal pin can be changed with master pin 2356.

## Hotel Mode

Maximum volume is limited and there is no access to Menu "CHANNEL SETUP" at activated hotel mode.

Call up: M → 8500 → ▼ "OPTION 1" → OK → ▲▼ "Hotel" → ◀▶ "AVAIL".

Maximum volume: M → 8500 → ▼ "OPTION 1" → OK → ▲▼ "Hotel Volume" → ◀▶ Value 0...100.

## Switching off the Hotel Mode temporarily

At this function the activated hotel mode is deactivated until the set is switched off (standby).

Call up: M → 4658 → ◀▶

## Cloning Function for Programme Table

It is possible to clone the programme table with this function from one TV set to further TV set of same series.

### Copy programme table to USB stick:

If necessary switch off Hotel Mode temporarily (see above) → connect empty USB stick → ◀▶ "No" → OK → M → ◀▶ "CHANNEL SETUP" → ▼ "Programme Table" ▶ → 8500 → ◀▶ "DTV", "ATV" or "All" → ▼ "Save" → OK.

### Copy programme table into further TV set of same type series:

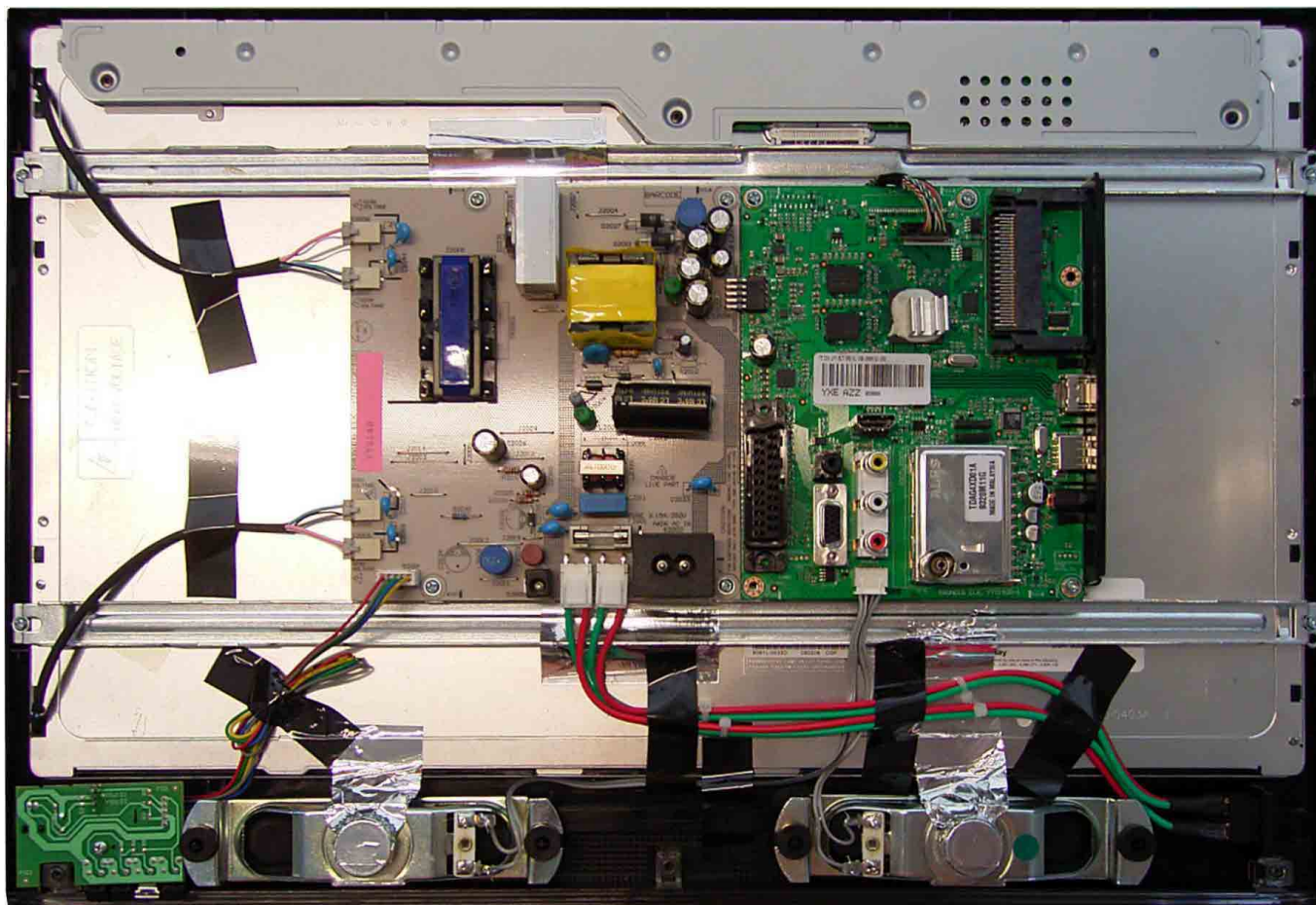
If necessary switch off Hotel Mode temporarily (see above) → connect empty USB stick → ◀▶ "No" → OK → M → ◀▶ "CHANNEL SETUP" → ▼ "Programme Table" ▶ → 8500 → ◀▶ "DTV", "ATV" or "All" → ▼ "Load" → OK.

## Disassembling Hints

### Removing the Rear Cabinet

- Undo 2 screws (A) fitted in the stand (Fig. 1) and remove the stand.
- Undo 4 screws (B) / (C) (Fig. 2).
- Fold up and remove the rear panel (thereby disengage the latches).





### Geräte- und Display-Varianten

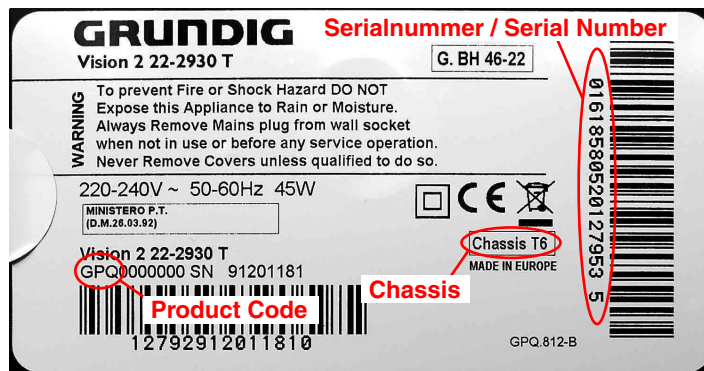
**Display- und Product Code**  
 Je nach Verfügbarkeit werden Displays verschiedener Hersteller eingebaut. Dies führt zu unterschiedlichen Chassis-Bestückungen, sowie zu Änderungen in der Software. Bei Ersatzteilbestellungen und Software-Updates achten Sie bitte auf das eingebaute Display, sowie auf den "Product Code". Angaben dazu finden Sie auf der Geräterückseite. Sollte in der Ersatzteilliste des Service Manuals Ihr "Product Code" oder Ihre Display-Variante nicht aufgeführt sein, können Sie eine aktualisierte Version auf dem GRUNDIG Service-Portal "<http://service.grundig.de>" finden.

Überprüfen Sie vor Platinen-Tausch, ob die Aufkleber der Platinen identisch sind (z.B. PCB Code).

### Product and Display Variants

**Display- und Product Code**  
 Depending on availability displays of different manufacturer are built in. This results in different chassis mountings as well as a different software. On spare parts orders as well as software updates take care of the fitted display as well as of the "Product Code". Therefore you can find information on the labels on the rear side. If your "Product Code" or display variant is not mentioned in the spare parts list of the service manual, please look for a current version at the GRUNDIG service portal "<http://service.grundig.de>".

Before changing any board please check whether the labels on the boards are identical (eg. PCB Code).





Technische Daten / Technical Data

	19 VLE 2000 T	22 VLE 2000 C	22 VLE 2000 T	22-2010 T/C Black	Hamburg 22-2940 T	Hamburg 22-2942 T/C
Order No.	GBI0419	GBI0222 / GBI0322	GBI0522	GBI0022	GBH8722	GBI8022
Approbations	CE	CE	CE	CE	CE	CE
IM-Languages	Fr: FR, ES, PT, DE, EN, NL, EE It: EN, HR, CZ, IT, DE, FR, EL	SE, NO, HR, FI, DK, DE, EL	Fr: FR, ES, PT, DE, EN, NL, EE It: EN, HR, CZ, IT, DE, FR, EL	D, GB	F, DK, N, S, HR EE, LT	D, GB SE, NO, FI, DK
Remote control		RC23 & Comfort Remote (Black)		RC 23	RC 23	RC 23
EAN	40 13833-62241 3	40 13833-62238 3/ -62203 9	40 13833-62242 0	40 13833-62158 4	40 13833-61990 1	40 13833-62202 4
Color	Glossy Black	Glossy Black /White	Glossy Black	glossy black	glossy black	Glossy Black
<b>DISPLAY</b>						
Panel	18.5" / 47cm	21.6" / 56cm	21.6" / 56cm	21.6" / 55cm	21.6" / 55cm	21.6" / 55cm
Backlight	LED	LED	LED	CCFL	CCFL	CCFL
Wide-screen format	•	•	•	•	•	•
Response time	ca. 5ms	ca. 6ms	ca. 6ms	ca. 5ms	ca. 5ms	ca. 5ms
Brightness	ca. 250cd/m <sup>2</sup>	ca. 300cd/m <sup>2</sup>	ca. 300cd/m <sup>2</sup>	ca. 350cd/m <sup>2</sup>	ca. 350cd/m <sup>2</sup>	ca. 300cd/m <sup>2</sup>
Contrast ratio (Panel)	ca. 1.000:1	ca. 1.000:1	ca. 1.000:1	ca. 1.000:1	ca. 800:1	ca. 1.000:1
Dynamic contrast plus	ca. 12.500:1	ca. 15.000:1	ca. 15.000:1	ca. 3000:1	t.b.d.	ca. 3000:1
Viewing angle ca. °	85/85 75/85	85/85 75/85	85/85 75/85	85/85 75/85	85/85 75/85	85/85 75/85
Physical display resolution max. pixel	WXGA 1366 x 768	WXGA 1366 x 768	WXGA 1366 x 768	WXGA 1366 x 768	WXGA 1366 x 768	WXGA 1366 x 768
<b>PICTURE</b>						
Motion Picture Improvement	○	○	○	○	○	○
Motion Adaptive Deinterlacing	3D Deinterlacer	3D Deinterlacer	3D Deinterlacer	3D Deinterlacer	3D Deinterlacer	3D Deinterlacer
Natural view HD Reference	○	○	○	○	○	○
Full HD	○	○	○	○	○	○
Line Flicker Reduction	•	•	•	•	•	•
Digital Color Transition Improv. (DCTI)	•	•	•	•	•	•
Digital Combfilter	3D	3D	3D	3D	3D	3D
Digital Luminance Transition Improv. (DLTI)	•	•	•	•	•	•
Picture Noise Reduction	•	•	•	•	•	•
Preset picture modes	user, vivid, natural, movie, sports					
Aspect ratios (Format switching)	Auto (WSS), 4:3 / 14:9 / 16:9 / Panorama / Cinema Zoom / Sky Top					
Blackline detection	○	○	○	○	○	○
PIP	○	○	○	○	○	○
Multifold Tuner scan (Mosaic Picture)	○	○	○	○	○	○
PAT: Split screen (PICTURE + TEXT)	•	•	•	•	•	•
PAP: Double Window (PICT. + PICT.)	○	○	○	○	○	○
P <sup>2</sup> AT: Double Window + TXT	○	○	○	○	○	○
POP: PICTURE on PICTURE	○	○	○	○	○	○
Picture freezing	•	•	•	•	•	•
Zoom with point function	•	•	•	•	•	•
Auto 16:9 selection via Scart	•	•	•	•	•	•
Sharpness control	•	•	•	•	•	•
Blue Background	•	•	•	•	•	•
<b>CHASSIS</b>						
TV-Chassis	T5	T5	T5	T5	T5	T5
Progressive	○	○	○	○	○	○
Tuner	PLL frequency synthesizer tuning					
Scaler	Sapphire	Sapphire	Sapphire	Sapphire	Sapphire	Sapphire
Keyboard	4 Volume/Programm, ± keys, Stby.					
<b>ELECTRONIC</b>						
Stand by indicator	blue LED	blue LED	blue LED	blue LED	blue LED	blue LED
EPG (Electronic Programme Guide)	7 days via DVB-T	7 days via DVB-T and DVB-C	7 days via DVB-T	7 days via DVB-T and DVB-C	7 days via DVB-T	7 days via DVB-T and DVB-C
Easy Dialog	○	○	○	○	○	○
Megaloc	○	○	○	○	○	○
Manual & autom. labeling of prog.	•	•	•	•	•	•
Programmable off timer	•	•	•	•	•	•
Programmable on timer	•	•	•	•	•	•
Intelligent channel search (Zapping funct.)	•	•	•	•	•	•
Programme Edit	○	○	○	○	○	○
Intelligent Programme Switch	○	○	○	○	○	○
Programme memory TV/AV (opt.)	99 Analog / 400 Digital / AV	99 Analog / 400 Digital / AV	99 Analog / 400 Digital / AV	99 Analog / 400 Digital / AV	99 Analog / 400 Digital / AV	99 Analog / 400 Digital / AV
Teletext/Fasttext/Toptext	• / • / ○	• / • / ○	• / • / ○	• / • / ○	• / • / ○	• / • / ○
Teletext options	1000 pages	1000 pages	1000 pages	1000 pages	1000 pages	1000 pages
Childlock	•	•	•	•	•	•
Menue languages OSD	24 languages, D, GB, F, I, E, P, NL, DK, S, FIN, N, TR, GR, PL, CZ, SK, SLO, H, RUS, RO, BG, HR, LT, EE					
OSD-style	OEM-style with Grundig look	OEM-style with Grundig look	OEM-style with Grundig look	OEM-style with Grundig look	OEM-style with Grundig look	OEM-style with Grundig look
Service mode	•	•	•	•	•	•
Game mode	presets (user changeable) for sound and picture in HDMI-, Component- and PC-mode					
Hotel mode	Simple hotel mode possible via service adjustment					
Special feature	○	○	○	○	•	•
<b>TUNING</b>						
Autom. Tuning System with country sel.	full automatic sorting	full automatic sorting	full automatic sorting	full automatic sorting	full automatic sorting	full automatic sorting
Frequency Based Auto Search	•	•	•	•	•	•
Automatic Micro-search	•	•	•	•	•	•
Automatic Programming	○	○	○	○	○	○
Manual fine tuning	•	•	•	•	•	•
Direct channel selection	•	•	•	•	•	•
Direct frequency selection	○	○	○	○	○	○
PAL/SECAM/BG/DK/L/L/L	•	•	•	•	•	•
NTSC-Playback via Scart (3.58/4.43)	•	•	•	•	•	•
Cable TV / Hyperband (S1-S41)	•	•	•	•	•	•
<b>AUDIO</b>						
Mono/Stereo/Nicam	• / • / •	• / • / •	• / • / •	• / • / •	• / • / •	• / • / •
AV Stereo	•	•	•	•	•	•
Loudspeaker	2 wide band at the front side	2 wide band at the front side	2 wide band at the front side	2 wide band at the front side	2 wide band at the front side	2 wide band at the front side
SRS	•	•	•	•	•	•
Dolby digital	•	•	•	•	•	•
Virtual Dolby	○	○	○	○	○	○
Magic Fidelity Sound System	○	○	○	○	○	○
Soundprojector	○	○	○	○	○	○
Matched Sound Delay (Lip synchronous)	○	○	○	○	○	○
Subwoofer	○	○	○	○	○	○
Dynamic Bass	○	○	○	○	○	○
DSP (Digital Sound Processor)	○	○	○	○	○	○
Balance Adjustment	•	•	•	•	•	•
AVL (Audio Volume Level)	•	•	•	•	•	•
PIP listening via Headphone.jack	○	○	○	○	○	○
Equalizer	5 Band	5 Band	5 Band	5 Band	5 Band	5 Band
Space Sound Effect	•	•	•	•	•	•
Audio mode	cinema, music, sport, speech, user					
Audio amplifier	2x 3W (RMS)	2x 3W (RMS)	2x 3W (RMS)	2x 3W (RMS)	2x 3W (RMS)	2x 3W (RMS)

	19 VLE 2000 T	22 VLE 2000 C	22 VLE 2000 T	22-2010 T/C Black	Hamburg 22-2940 T	Hamburg 22-2942 T/C
USB part						
Screen saver	○	○	○	○	○	○
Recording	○	○	○	●	○	●
File browser	●	●	●	●	●	●
Video file resolution (max)	1920 x 1080	1920 x 1080	1920 x 1080	1920 x 1080	1920 x 1080	1920 x 1080
Supported files	.mp3, .m4a, .aac, .jpg, .bmp, .png, .3gp, .mov, .mpg, .mpe, .vob, .dat, .trp, .ts, .avi, .mp4, .mkv, H264, .txt					
Supported subtitles	SRT, SSA, ASS, SMI, Video SUB					
DVB reception	EN 300 744 & revised NorDig II spec (regarding DVB-T front end performance)					
Fully compliant to	● / ATS type sorting & LCN type sorting					
Automatic/manual channel search	●					
EPG (SI based)	●	●	●	●	●	●
- 7 Day Electronic Programme Guide	●	●	●	●	●	●
- now/next	●	●	●	●	●	●
- scheduled	If broadcasted	If broadcasted	If broadcasted	If broadcasted	If broadcasted	If broadcasted
- Extended Event Info	If broadcasted	If broadcasted	If broadcasted	If broadcasted	If broadcasted	If broadcasted
- Short Event Info	If broadcasted	If broadcasted	If broadcasted	If broadcasted	If broadcasted	If broadcasted
TV/Radio programmes	400	400	400	400	400	400
OSD languages	Same as analogue languages	Same as analogue languages	Same as analogue languages	Same as analogue languages	Same as analogue languages	Same as analogue languages
Parental control	●	●	●	●	●	●
Teletext VBI insertion	or decoding	or decoding	or decoding	or decoding	or decoding	or decoding
VPS - VBI insertion	PDC based	PDC based	PDC based	PDC based	PDC based	PDC based
Programme table	full automatic sorting	full automatic sorting	full automatic sorting	full automatic sorting	full automatic sorting	full automatic sorting
Factory station list	●	●	●	●	●	●
DVB-T Front end	1	1	1	1	1	1
Tuner inputs (Hyperband)	1	1	1	1	1	1
Input frequency (MHz) / Loop through	177 - 862 VHF & UHF / ○	177 - 862 VHF & UHF / ○	177 - 862 VHF & UHF / ○	177 - 862 VHF & UHF / ○	177 - 862 VHF & UHF / ○	177 - 862 VHF & UHF / ○
Input level / Impedance	-80.0 dBm to -20 dBm (at 16 QAM 2/3) / 75Ω					
Modulation	COFDM 2/8 QPSK 16/64 QAM					
FEC	1/2, 2/3, 3/4, 5/6, 7/8	1/2, 2/3, 3/4, 5/6, 7/8	1/2, 2/3, 3/4, 5/6, 7/8	1/2, 2/3, 3/4, 5/6, 7/8	1/2, 2/3, 3/4, 5/6, 7/8	1/2, 2/3, 3/4, 5/6, 7/8
Hierarchical modulation	○	○	○	○	○	○
Activ antenna support	●	●	●	●	●	●
DVB-C Front end	○	○	○	○	○	○
Input frequency (MHz)	○	47-862 VHF & UHF	○	47-862 VHF & UHF	○	47-862 VHF & UHF
Input level / Impedance	○	47-70dbµV / 75Ω	○	47-70dbµV / 75Ω	○	47-70dbµV / 75Ω
Demodulation / Symbol rate Ms/s	○	QAM 16/32/64/128/256 demodulation support (EN 300 429) 4.0...7.2 Msymbols/s	○	QAM 16/32/64/128/256 demodulation support (EN 300 429) 4.0...7.2 Msymbols/s	○	QAM 16/32/64/128/256 demodulation support (EN 300 429) 4.0...7.2 Msymbols/s
Embedded Conditional Access	○	○	○	○	○	○
Common Interface	●	●	●	●	●	●
Smart Card Reader	○	○	○	○	○	○
Video Decoder	MP@ML, MP@HL, MPEG4 AVC H.264 HP@L4.0					
MPEG profiles	MP@ML	MP@ML MP@ML, MP@HL, MPEG4 AVC H.264 HP@L4.0	MP@ML	MP@ML, MP@HL, MPEG4 AVC H.264 HP@L4.0	MP@ML, MP@HL, MPEG4 AVC H.264 HP@L4.0	MP@ML, MP@HL, MPEG4 AVC H.264 HP@L4.0
Resolution	576i, 576p, 720p, 1080i	576i, 576p, 720p, 1080i	576i, 576p, 720p, 1080i	576i, 576p, 720p, 1080i	576i, 576p, 720p, 1080i	576i, 576p, 720p, 1080i
OSD colors	Fitting to TV-OSD	Fitting to TV-OSD	Fitting to TV-OSD	Fitting to TV-OSD	Fitting to TV-OSD	Fitting to TV-OSD
Picture formats	4:3, 16:9, pan scan, letter box	4:3, 16:9, pan scan, letter box	4:3, 16:9, pan scan, letter box	4:3, 16:9, pan scan, letter box	4:3, 16:9, pan scan, letter box	4:3, 16:9, pan scan, letter box
Audio Decoder	MPEG4, MPEG 1 layer I & II					
Profiles	MPEG4, MPEG 1 layer I & II	MPEG4, MPEG 1 layer I & II	MPEG4, MPEG 1 layer I & II	MPEG4, MPEG 1 layer I & II	MPEG4, MPEG 1 layer I & II	MPEG4, MPEG 1 layer I & II
AC 3 Decoding	○	○	○	○	○	○
AC 3 Output	○	○	○	○	○	○
Modes	Mono, Dual Mono, Stereo, Joint Stereo					
Software	Dynamic PMT					
Service information processing	Dynamic PMT	Dynamic PMT	Dynamic PMT	Dynamic PMT	Dynamic PMT	Dynamic PMT
DVB subtitles	●	●	●	●	●	●
Over air download (OTA)	DVB enhanced profile	DVB enhanced profile	DVB enhanced profile	DVB enhanced profile	DVB enhanced profile	DVB enhanced profile
Navigator	via menu	via menu	via menu	via menu	via menu	via menu
API	○	○	○	○	○	○
Last station memory	from stand-by, as TV	from stand-by, as TV	from stand-by, as TV	from stand-by, as TV	from stand-by, as TV	from stand-by, as TV
Favourite mode	4x free	4x free	4x free	4x free	4x free	4x free
Timer / Sleep timer	○	○	○	○	○	○
Clock	○	○	○	○	○	○
Volume	○	○	○	○	○	○
Mute function	●	●	●	●	●	●
Swap function	●	●	●	●	●	●
POWER SUPPLY / CABINET	Power voltage 0V, 50Hz; in accordance to IEC 65					
Range of regulation	140V - 265V	140V - 265V	140V - 265V	140V - 265V	140V - 265V	140V - 265V
Power switch	●	●	●	●	●	●
Integrated supply	●	●	●	●	●	●
Plug-in AC adaptor	○	○	○	○	○	○
Power consumption	30W, standby <0.85W in accordance to IEC 62087-2002	37W, standby <0.85W in accordance to IEC 62087-2002	37W, standby <0.85W in accordance to IEC 62087-2002	45W, standby <1W in accordance to IEC 62087-2002	45W, standby <1.2W in accordance to IEC 62087-2002	45W, standby <1W in accordance to IEC 62087-2002
Cabinet (WxHxD)	45.8x31.8x6.2cm	52.5x35.5x6.5cm	52.5x35.5x6.5cm	52.3x35.6x6.9cm	52.5x35.5x6.5cm	52.5x35.5x6.5cm
Cabinet (WxHxD) with stand	45.8x34.2x16.0cm	52.5x38.0x16.5	52.5x38.0x16.5	52.3x38.0x16.0	52.5x38.0x16.5cm	52.5x38.0x16.5cm
Weight	ca. 3.3kg	ca. 4.5kg	ca. 4.5kg	ca. 4.3kg	ca. 4.5kg	ca. 4.5kg
FRONT PANEL CONNECTIONS	HDMI ○					
HDMI	○	○	○	○	○	○
Headphones	○	○	○	○	○	○
Cinch-AV socket	○	○	○	○	○	○
S-Video	○	○	○	○	○	○
REAR PANEL CONNECTIONS	Euro-AV-Socket AV1 Full wired					
Euro-AV-Socket AV1	Full wired	Full wired	Full wired	Full wired	Full wired	Full wired
Euro-AV Socket AV2	○	○	○	○	○	○
Euro-AV Socket AV3	○	○	○	○	○	○
S-Video	via Scart	via Scart	via Scart	via Scart	via Scart	via Scart
Camera-AV	3x Cinch socket in	3x Cinch socket in	3x Cinch socket in	3x Cinch socket in	3x Cinch socket in	3x Cinch socket in
Wireless	○	○	○	○	○	○
YUV input / progressive	via VGA	via VGA	via VGA	via VGA	via VGA	via VGA
PC-input	WXGA	WXGA	WXGA	WXGA	WXGA	WXGA
PC-Audio in	●	●	●	●	●	●
DVI	○	○	○	○	○	○
HDMI	2x	2x	2x	2x	1x	2x
HD ready including HDCP	via HDMI	via HDMI	via HDMI	via HDMI	via HDMI	via HDMI
Common Interface	1 slot	1 slot	1 slot	1 slot	1 slot	1 slot
Headphones	3.5mm jack	3.5mm jack	3.5mm jack	3.5mm jack	3.5mm jack	3.5mm jack
Digital Audio out coaxial (SPDIF)	○	○	○	○	○	○
Video out	○	○	○	○	○	○
Audio out	○	○	○	○	○	○
USB	USB 2.0	USB 2.0	USB 2.0	USB 2.0	USB 2.0	USB 2.0
Antenna for terrestrial reception	1 x Coaxial-socket for TV-tuner-in, according to DIN 45325					
DC-connector	○	○	○	○	○	○
Power supply plug	●	●	●	●	●	●
SUPPLIED ACCESSORIES	RC 23 incl. 2x Battery AAA size & Comfort Remote (YF-1)					
Remote control (incl. battery)	non grounded	non grounded	non grounded	non grounded	non grounded	non grounded
Power cord	○	○	○	○	○	○
Cables	○	○	○	○	○	○
Instruction manual	●	●	●	●	●	●
Wall fixture	Prepared for VESA standard adaptor 100 x 100mm					
Stand	●	●	●	●	tilting function	tilting function
Cleaning tissue	●	●	●	●	○	●

	Leemaxx 19 HD	Leemaxx 19 HD/C	Leemaxx 19 HD/CR	Leemaxx 19 T4	Vision 22-2940 H
Order No.	BR: GBH4922 WP: GBI4819	BA: GBH4932, GBI3219 GR: GBH4031, GBI3419 WG: GBH4035 WP: GBH4039 WS: GBH4029	BA: GBI3819 BO: GBI4119 BR: GBI4019 WG: GBI4219 WP: GBI4319 WS: GBI3919	GBI4419/GBI5519	GBH8322
Approbations	CE	CE	CE	CE	CE
IM-Languages	FR,ES,PT,D,GB,NL,EE	SE,NO,CRO,FI,DK,D,EL	D,GB	SE,NO,CRO,FI,DK,D,EL for BG3 - FR,ES,PT,D,GB,NL,EE for BG5	F,DK,N,S,HR EE,LT
Remote control	RC23 & Comfort Remote	RC23 & Comfort Remote	RC23 & Comfort Remote	RC23 & Comfort Remote (Black)	RC 23
EAN	BR: 40 13833-62062 4 WP: 40 13833-62191 1	BA: 40 13833-62068 6 BA: 40 13833-62175 1 GR: 40 13833-62088 4 GR: 40 13833-62177 5 WG: 40 13833-62090 7 WP: 40 13833-62091 4 WS: 40 13833-62087 7	BA: 40 13833-62181 2 BO: 40 13833-62184 3 BR: 40 13833-62183 6 WG: 40 13833-62185 0 WP: 40 13833-62186 7 WS: 40 13833-62182 9	40 13833-62187 4/ -62198 0	40 13833-62004 4
Color	BR: Black&Red WP: White-Pink	BA: Black&Anthrazit BR: Black&Red WG: White&Green WP: White&Pink WS: White&Silver	BA: Black&Anthrazit BO: Black&Orange BR: Black&Red WG: White&Green WP: White&Pink WS: White&Silver	black-anthrazit / white-silver	glossy black
<b>DISPLAY</b>					
Panel	18.5" / 47cm	18.5" / 47cm	18.5" / 47cm	18.5" / 47cm	21.6" / 55cm
Backlight	CCFL	CCFL	CCFL	CCFL	CCFL
Wide-screen format	•	•	•	•	•
Response time	ca. 5ms	ca. 5ms	ca. 5ms	ca. 5ms	ca. 5ms
Brightness	ca. 300cd/m²	ca. 300cd/m²	ca. 300cd/m²	ca. 300cd/m²	ca. 350cd/m²
Contrast ratio (Panel)	ca. 1.000:1	ca. 1.000:1	ca. 1.000:1	ca. 1.000:1	ca. 800:1
Dynamic contrast plus	ca. 3000:1	ca. 3000:1	ca. 3000:1	ca. 3000:1	t.b.d.
Viewing angle ca. °	80/80 80/80	80/80 80/80	80/80 80/80	80/80 80/80	85/85 75/85
Physical display resolution max. pixel	WXGA 1366 x 768	WXGA 1366 x 768	WXGA 1366 x 768	WXGA 1366 x 768	WXGA 1366 x 768
<b>PICTURE</b>					
Motion Picture Improvement	○	○	○	○	○
Motion Adaptive Deinterlacing	3D DeInterlacer	3D DeInterlacer	3D DeInterlacer	3D DeInterlacer	3D DeInterlacer
Natural view HD Reference	○	○	○	○	○
Full HD	○	○	○	○	○
Line Flicker Reduction	•	•	•	•	•
Digital Color Transition Improv. (DCTI)	•	•	•	•	•
Digital Combfilter	3D	3D	3D	3D	3D
Digital Luminance Transition Improv. (DLTI)	•	•	•	•	•
Picture Noise Reduction	•	•	•	•	•
Preset picture modes	user, vivid, natural, movie, sports	user, vivid, natural, movie, sports	user, vivid, natural, movie, sports	user, vivid, natural, movie, sports	user, vivid, natural, movie, sports
Aspect ratios (Format switching)	Auto (WSS), 4:3 / 14:9 / 16:9 / Panorama / Cinema Zoom / Sky Top				
Blackline detection	○	○	○	○	○
PIP	○	○	○	○	○
Multifold Tuner scan (Mosaic Picture)	○	○	○	○	○
PAT: Split screen (PICTURE + TEXT)	•	•	•	•	•
PAP: Double Window (PICT. + PICT.)	○	○	○	○	○
P²AT: Double Window + TXT	○	○	○	○	○
POP: PICTURE on PICTURE	○	○	○	○	○
Picture freezing	•	•	•	•	•
Zoom with point function	•	•	•	•	•
Auto 16:9 selection via Scart	•	•	•	•	•
Sharpness control	•	•	•	•	•
Blue Background	•	•	•	•	•
<b>CHASSIS</b>					
TV-Chassis	T5	T5	T5	T5	T5
Progressive	○	○	○	○	○
Tuner	PLL frequency synthesizer tuning	PLL frequency synthesizer tuning	PLL frequency synthesizer tuning	PLL frequency synthesizer tuning	PLL frequency synthesizer tuning
Scaler	Sapphire	Sapphire	Sapphire	Sapphire	Sapphire
Keyboard	4 keys: +, M, -, Stby.	4 keys: +, M, -, Stby.	4 keys: +, M, -, Stby.	4 keys: +, M, -, Stby.	4 Volume/Programm., ± keys, Stby.
<b>ELECTRONIC</b>					
Stand by indicator	blue LED	blue LED	blue LED	blue LED	blue LED
EPG (Electronic Programme Guide)	7 days via DVB-T	7 days via DVB-T and DVB-C	7 days via DVB-T and DVB-C	7 days via DVB-T	7 days via DVB-T
Easy Dialog	○	○	○	○	○
Megalogic	○	○	○	○	○
Manual & autom. labeling of prog.	•	•	•	•	•
Programmable off timer	•	•	•	•	•
Programmable on timer	•	•	•	•	•
Intelligent channel search (Zapping funct.)	•	•	•	•	•
Programme Edit	○	○	○	○	○
Intelligent Programme Switch	○	○	○	○	○
Programme memory TV/AV (opt.)	99 Analog / 400 Digital / AV	99 Analog / 400 Digital / AV	99 Analog / 400 Digital / AV	99 Analog / 400 Digital / AV	99 Analog / 400 Digital / AV
Teletext/Fasttext/Toptext	• / • / ○	• / • / ○	• / • / ○	• / • / ○	• / • / ○
Teletext options	1000 pages	1000 pages	1000 pages	1000 pages	1000 pages
Childlock	•	•	•	•	•
Menue languages OSD	24 languages, D, GB, F, I, E, P, NL, DK, S, FIN, N, TR, GR, PL, CZ, SK, SLO, H, RUS, RO, BG, HR, LT, EE				
OSD-style	OEM-style with Grundig look	OEM-style with Grundig look	OEM-style with Grundig look	OEM-style with Grundig look	OEM-style with Grundig look
Service mode	•	•	•	•	•
Game mode	presets (user changeable) for sound and picture in HDMI-, Component- and PC-mode				
Hotel mode	Simple hotel mode possible via service adjustment				
Special feature	○	○	○	○	Clock on the front cabinet
<b>TUNING</b>					
Autom. Tuning System with country sel.	full automatic sorting	full automatic sorting	full automatic sorting	full automatic sorting	full automatic sorting
Frequency Based Auto Search	•	•	•	•	•
Automatic Micro-search	•	•	•	•	•
Automatic Programming	○	○	○	○	○
Manual fine tuning	•	•	•	•	•
Direct channel selection	•	•	•	•	•
Direct frequency selection	○	○	○	○	○
PAL/SECAM/BG/DK/IL/L	•	•	•	•	•
NTSC-Playback via Scart (3.58/4.43)	•	•	•	•	•
Cable TV / Hyperband (S1-S41)	•	•	•	•	•
<b>AUDIO</b>					
Mono/Stereo/Nicam	• / • / •	• / • / •	• / • / •	• / • / •	• / • / •
AV Stereo	•	•	•	•	•
Loudspeaker	2 wide band at the front side	2 wide band at the front side	2 wide band at the front side	2 wide band at the front side	2 wide band at the front side
SRS	○	○	○	○	○
Dolby digital	○	○	○	○	○
Virtual Dolby	○	○	○	○	○
Magic Fidelity Sound System	○	○	○	○	○
Soundprojector	○	○	○	○	○
Matched Sound Delay (Lip synchronous)	○	○	○	○	○
Subwoofer	○	○	○	○	○
Dynamic Bass	○	○	○	○	○
DSP (Digital Sound Processor)	○	○	○	○	○
Balance Adjustment	•	•	•	•	•
AVL (Audio Volume Level)	•	•	•	•	•
PIP listening via Headphone.jack	○	○	○	○	○
Equalizer	5 Band	5 Band	5 Band	5 Band	5 Band
Space Sound Effect	•	•	•	•	•
Audio mode	cinema, music, sport, speech, user	cinema, music, sport, speech, user	cinema, music, sport, speech, user	cinema, music, sport, speech, user	cinema, music, sport, speech, user
Audio amplifier	2x 3W (RMS)	2x 3W (RMS)	2x 3W (RMS)	2x 3W (RMS)	2x 3W (RMS)



	Leemax 19 HD	Leemax 19 HD/C	Leemax 19 HD/CR	Leemax 19 T4	Vision 22-2940 H
USB part					
Screen saver	○	○	○	○	○
Recording	○	○	●	○	○
File browser	●	●	●	●	●
Video file resolution (max)	1920 x 1080	1920 x 1080	1920 x 1080	1920 x 1080	1920 x 1080
Supported files	.mp3, .m4a, .aac, .jpg, .bmp, .png, .3gp, .mov, .mpg, .mpe, .vob, .dat, .trp, .ts, .avi, .mp4, .mkv, H264, .txt				
Supported subtitles	SRT, SSA, ASS, SMI, Video SUB	SRT, SSA, ASS, SMI, Video SUB	SRT, SSA, ASS, SMI, Video SUB	SRT, SSA, ASS, SMI, Video SUB	SRT, SSA, ASS, SMI, Video SUB
DVB reception	EN 300 744 & revised NorDig II spec (regarding DVB-T front end performance)				
Fully compliant to	● / ATS type sorting & LCN type sorting				
Automatic/manual channel search	●				
EPG (SI based)	●	●	●	●	●
- 7 Day Electronic Programme Guide	●	●	●	●	●
- now/next	●	●	●	●	●
- scheduled	If broadcasted	If broadcasted	If broadcasted	If broadcasted	If broadcasted
- Extended Event Info	If broadcasted	If broadcasted	If broadcasted	If broadcasted	If broadcasted
- Short Event Info	If broadcasted	If broadcasted	If broadcasted	If broadcasted	If broadcasted
TV/Radio programmes	400	400	400	400	400
OSD languages	Same as analogue languages	Same as analogue languages	Same as analogue languages	Same as analogue languages	Same as analogue languages
Parental control	●	●	●	●	●
Teletext VBI insertion	or decoding	or decoding	or decoding	or decoding	or decoding
VPS - VBI insertion	PDC based	PDC based	PDC based	PDC based	PDC based
Programme table	full automatic sorting	full automatic sorting	full automatic sorting	full automatic sorting	full automatic sorting
Factory station list	●	●	●	●	●
DVB-T Front end	1	1	1	1	1
Tuner inputs (Hyperband)	1	1	1	1	1
Input frequency (MHz) / Loop through	177 - 862 VHF & UHF / ○	177 - 862 VHF & UHF / ○	177 - 862 VHF & UHF / ○	177 - 862 VHF & UHF / ○	177 - 862 VHF & UHF / ○
Input level / Impedance	-80.0dBm to -20dBm (at 16 QAM 2/3) / 75Ω				
Modulation	COFDM 2/8 QPSK 16/64 QAM	COFDM 2/8 QPSK 16/64 QAM	COFDM 2/8 QPSK 16/64 QAM	COFDM 2/8 QPSK 16/64 QAM	COFDM 2/8 QPSK 16/64 QAM
FEC	1/2, 2/3, 3/4, 5/6, 7/8	1/2, 2/3, 3/4, 5/6, 7/8	1/2, 2/3, 3/4, 5/6, 7/8	1/2, 2/3, 3/4, 5/6, 7/8	1/2, 2/3, 3/4, 5/6, 7/8
Hierarchical modulation	○	○	○	○	○
Activ antenna support	●	●	●	●	●
DVB-C Front end	○	○	○	○	○
Input frequency (MHz)	○	47-862 VHF&UHF	47-862 VHF&UHF	○	○
Input level / Impedance	○	47-70dBμV / 75Ω	47-70dBμV / 75Ω	○	○
Demodulation / Symbol rate Ms/s	○	QAM 16/32/64/128/256 demodulation support (EN 300 429) / 4.0...7.2 Msymbols/s	○	○	○
Embedded Conditional Access	○	○	○	○	○
Common Interface	●	●	●	●	●
Smart Card Reader	○	○	○	○	○
Video Decoder	MP@ML, MP@HL, MPEG4 AVC H.264 HP@L4.0				
MPEG profiles	MP@ML, MP@HL, MPEG4 AVC H.264 HP@L4.0				
Resolution	576i, 576p, 720p, 1080i	576i, 576p, 720p, 1080i	576i, 576p, 720p, 1080i	576i, 576p, 720p, 1080i	576i, 576p, 720p, 1080i
OSD colors	Fitting to TV-OSD	Fitting to TV-OSD	Fitting to TV-OSD	Fitting to TV-OSD	Fitting to TV-OSD
Picture formats	4:3, 16:9, pan scan, letter box	4:3, 16:9, pan scan, letter box	4:3, 16:9, pan scan, letter box	4:3, 16:9, pan scan, letter box	4:3, 16:9, pan scan, letter box
Audio Decoder	MPEG4, MPEG 1 layer I & II				
Profiles	MPEG4, MPEG 1 layer I & II	MPEG4, MPEG 1 layer I & II	MPEG4, MPEG 1 layer I & II	MPEG4, MPEG 1 layer I & II	MPEG4, MPEG 1 layer I & II
AC 3 Decoding	○	○	○	○	○
AC 3 Output	○	○	○	○	○
Modes	Mono, Dual Mono, Stereo, Joint Stereo				
Software	Dynamic PMT				
Service information processing	Dynamic PMT	Dynamic PMT	Dynamic PMT	Dynamic PMT	Dynamic PMT
DVB subtitles	●	●	●	●	●
Over air download (OTA)	DVB enhanced profile via menu	DVB enhanced profile via menu	DVB enhanced profile via menu	DVB enhanced profile via menu	DVB enhanced profile via menu
Navigator	○	○	○	○	○
API	○	○	○	○	○
Last station memory	from stand-by, as TV	from stand-by, as TV	from stand-by, as TV	from stand-by, as TV	from stand-by, as TV
Favourite mode	4x free	4x free	4x free	4x free	4x free
Timer / Sleep timer	○	○	○	○	○
Clock	○	○	○	○	○
Volume	○	○	○	○	○
Mute function	●	●	●	●	●
Swap function	●	●	●	●	●
POWER SUPPLY / CABINET	100 - 240V, 50/60Hz via external adaptor 12V- in accordance to IEC 65				
Power voltage	100 - 240V	100 - 240V	100 - 240V	100 - 240V	230V, 50Hz; in accordance to IEC 65
Range of regulation	100 - 240V	100 - 240V	100 - 240V	100 - 240V	140V - 265V
Power switch	○	○	○	○	●
Integrated supply	●	●	●	●	●
Plug-in AC adaptor	○	○	○	○	○
Power consumption	30W, standby <1W in accordance to IEC 62087-2002	30W, standby <1W in accordance to IEC 62087-2002	30W, standby <1W in accordance to IEC 62087-2002	30W, standby <1W in accordance to IEC 62087-2002	45W, standby <1.2W in accordance to IEC 62087-2002
Cabinet (WxHxD)	45.5 x 30.5 x 9.0cm	45.5 x 30.5 x 9.0cm	45.5 x 30.5 x 9.0cm	45.5 x 30.5 x 9.0cm	52.5x35.5x6.5cm
Cabinet (WxHxD) with stand					52.5x39.54x15.5cm
Weight	ca. 3.0kg	ca. 3.0kg	ca. 3.0kg	ca. 3.0kg	ca. 4.5kg
FRONT PANEL CONNECTIONS					
HDMI	○	○	○	○	○
Headphones	○	○	○	○	○
Cinch-AV socket	○	○	○	○	○
S-Video	○	○	○	○	○
REAR PANEL CONNECTIONS					
Euro-AV-Socket AV1	Full wired	Full wired	Full wired	Full wired	Full wired
Euro-AV Socket AV2	○	○	○	○	○
Euro-AV Socket AV3	○	○	○	○	○
S-Video	via Scart	via Scart	via Scart	via Scart	via Scart
Camera-AV	3x Cinch socket in	3x Cinch socket in	3x Cinch socket in	3x Cinch socket in	3x Cinch socket in
Wireless	○	○	○	○	○
YUV input / progressive	via VGA	via VGA	via VGA	via VGA	via VGA
PC-input	WXGA	WXGA	WXGA	WXGA	WXGA
PC-Audio in	●	●	●	●	●
DVI	○	○	○	○	○
HDMI	1x	1x	1x	1x	2x
HD ready including HDCP	via HDMI	via HDMI	via HDMI	via HDMI	via HDMI
Common Interface	1 slot	1 slot	1 slot	1 slot	1 slot
Headphones	○	○	○	○	3.5mm jack
Digital Audio out coaxial (SPDIF)	○	○	○	○	○
Video out	○	○	○	○	○
Audio out	○	○	○	○	○
USB	USB 2.0	USB 2.0	USB 2.0	USB 2.0	USB 2.0
Antenna for terrestrial reception	1 x Coaxial-socket for TV-tuner-in, according to DIN 45325				
DC-connector	12V DC (11 - 14.5V, current consumption ca. 4A)	12V DC (11 - 14.5V, current consumption ca. 4A)	12V DC (11 - 14.5V, current consumption ca. 4A)	12V DC (11 - 14.5V, current consumption ca. 4A)	○
Power supply plug	○	○	○	○	●
SUPPLIED ACCESSORIES	○ / AC/DC-Adaptor 12 V- / 4.16A, power cord (non grounded) length min. 1.5 m				
Remote control (incl. battery)	RC 23 incl. 2x Battery AAA size	RC 23 incl. 2x Battery AAA size	RC23 incl. 2x Battery AAA size & Comfort Remote	RC 23 incl. 2x Battery AAA size	RC 23 incl. 2x Battery AAA size
Power cord	non grounded				
Cables	○	○	○	○	○
Instruction manual	●	●	●	●	●
Wall fixture	○	○	○	○	○
Stand	○	○	○	○	Prepared for VESA standard adaptor 100x100mm
Cleaning tissue	○	○	○	○	tilting function

	Vision 2 16-2941 T/C	Vision 2 19-2940 T	Vision 2 19-2941 T/C	Vision 2 22-2940 T	Vision 2 22-2941 T/C
Order No.	GBH4026	GBH4019	GBH4036/GBH4056	GBH4022	GBH4046/GBH4066
Approbations	CE	CE	CE	CE	CE
IM-Languages	SE,NO,CRO,FI,DK,D,EL	F,DK,N,S,HR EE, LT	SE,NO,CRO,FI,DK,D,EL	F,DK,N,S,HR EE, LT	SE,NO,CRO,FI,DK,D,EL
Remote control	RC 23	RC 23	RC 23	RC 23	RC 23
EAN	40 13833-62067 9	40 13833-61826 3	40 13833-62063 9/ -62071 6	40 13833-61825 6	40 13833-62070 9/ -62072 3
Color	glossy black	glossy black	Glossy Black/ White	glossy black	glossy black/ White
<b>DISPLAY</b>					
Panel	16" / 40cm	18.5" / 47cm	18.5" / 47cm	21.6" / 55cm	21.6" / 55cm
Backlight	CCFL	CCFL	CCFL	CCFL	CCFL
Wide-screen format	●	●	●	●	●
Response time	ca. 8ms	ca. 5ms	ca. 5ms	ca. 5ms	ca. 5ms
Brightness	ca. 250cd/m <sup>2</sup>	ca. 250cd/m <sup>2</sup>	ca. 300cd/m <sup>2</sup>	ca. 350cd/m <sup>2</sup>	ca. 300cd/m <sup>2</sup>
Contrast ratio (Panel)	ca. 500:1	ca. 1.000:1	ca. 1.000:1	ca. 800:1	ca. 1.000:1
Dynamic contrast plus	ca. 3000:1	t.b.d.	ca. 3000:1	t.b.d.	ca. 3000:1
Viewing angle ca. °	65 vertical / 90 horizontal	80/80 80/80	80/80 80/80	85/85 75/85	85/85 75/85
Physical display resolution max. pixel	WXGA 1366 x 768	WXGA 1366 x 768	WXGA 1366 x 768	WXGA 1366 x 768	WXGA 1366 x 768
<b>PICTURE</b>					
Motion Picture Improvement	○	○	○	○	○
Motion Adaptive Deinterlacing	3D DeInterlacer	3D DeInterlacer	3D DeInterlacer	3D DeInterlacer	3D DeInterlacer
Natural view HD Reference	○	○	○	○	○
Full HD	○	○	○	○	○
Line Flicker Reduction	●	●	●	●	●
Digital Color Transition Improv. (DCTI)	●	●	●	●	●
Digital Combfilter	3D	3D	3D	3D	3D
Digital Luminance Transition Improv. (DLTI)	●	●	●	●	●
Picture Noise Reduction	●	●	●	●	●
Preset picture modes	user, natural, rich, soft	user, vivid, natural, movie, sports	user, vivid, natural, movie, sports	user, vivid, natural, movie, sports	user, vivid, natural, movie, sports
Aspect ratios (Format switching)	Auto (WSS), 4:3 / 14:9 / 16:9 / Panorama / Cinema Zoom / Sky Top				
Blackline detection	○	○	○	○	○
PIP	○	○	○	○	○
Multifold Tuner scan (Mosaic Picture)	○	○	○	○	○
PAT: Split screen (PICTURE + TEXT)	●	●	●	●	●
PAP: Double Window (PICT. + PICT.)	○	○	○	○	○
P <sup>2</sup> AT: Double Window + TXT	○	○	○	○	○
POP: PICTURE on PICTURE	○	○	○	○	○
Picture freezing	●	●	●	●	●
Zoom with point function	○	○	○	○	○
Auto 16:9 selection via Scart	●	●	●	●	●
Sharpness control	●	●	●	●	●
Blue Background	○	○	○	○	○
<b>CHASSIS</b>					
TV-Chassis	T5	T5	T5	T5	T5
Progressive	○	○	○	○	○
Tuner	PLL frequency synthesizer tuning	PLL frequency synthesizer tuning	PLL frequency synthesizer tuning	PLL frequency synthesizer tuning	PLL frequency synthesizer tuning
Scaler	Sapphire	Sapphire	Sapphire	Sapphire	Sapphire
Keyboard	4 Volume/Programm., ± keys, Stby.				
<b>ELECTRONIC</b>					
Stand by indicator	blue LED	blue LED	blue LED	blue LED	blue LED
EPG (Electronic Programme Guide)	7 days via DVB-T and DVB-C	7 days via DVB-T	7 days via DVB-T and DVB-C	7 days via DVB-T	7 days via DVB-T and DVB-C
Easy Dialog	○	○	○	○	○
Megalogic	○	○	○	○	○
Manual & autom. labeling of prog.	●	●	●	●	●
Programmable off timer	●	●	●	●	●
Programmable on timer	●	●	●	●	●
Intelligent channel search (Zapping funct.)	●	●	●	●	●
Programme Edit	○	○	○	○	○
Intelligent Programme Switch	○	○	○	○	○
Programme memory TV/AV (opt.)	100 Analog / 400 Digital / AV	99 Analog / 400 Digital / AV	99 Analog / 400 Digital / AV	99 Analog / 400 Digital / AV	99 Analog / 400 Digital / AV
Teletext/Fasttext/Toptext	● / ● / ○	● / ● / ○	● / ● / ○	● / ● / ○	● / ● / ○
Teletext options	10 pages	1000 pages	1000 pages	1000 pages	1000 pages
Childlock	●	●	●	●	●
Menue languages OSD	24 languages, D, GB, F, I, E, P, NL, DK, S, FIN, N, TR, GR, PL, CZ, SK, SLO, H, RUS, RO, BG, HR, LT, EE				
OSD-style	OEM-style	OEM-style with Grundig look	OEM-style with Grundig look	OEM-style with Grundig look	OEM-style with Grundig look
Service mode	●	●	●	●	●
Game mode	presets (user changeable) for sound and picture in HDMI-, Component- and PC-mode				
Hotel mode	Simple hotel mode possible via service adjustment				
Special feature	○	○	○	○	○
<b>TUNING</b>					
Autom. Tuning System with country sel.	full automatic sorting	full automatic sorting	full automatic sorting	full automatic sorting	full automatic sorting
Frequency Based Auto Search	●	●	●	●	●
Automatic Micro-search	●	●	●	●	●
Automatic Programming	○	○	○	○	○
Manual fine tuning	●	●	●	●	●
Direct channel selection	○	○	○	○	○
Direct frequency selection	○	○	○	○	○
PAL/SECAM/BG/DK/L/L/L	●	●	●	●	●
NTSC-Playback via Scart (3.58/4.43)	●	●	●	●	●
Cable TV / Hyperband (S1-S41)	●	●	●	●	●
<b>AUDIO</b>					
Mono/Stereo/Nicam	● / ● / ●	● / ● / ●	● / ● / ●	● / ● / ●	● / ● / ●
AV Stereo	●	●	●	●	●
Loudspeaker	2 wide band at the front side	2 wide band at the front side	2 wide band at the front side	2 wide band at the front side	2 wide band at the front side
SRS	●	●	●	●	●
Dolby digital	○	○	○	○	○
Virtual Dolby	○	○	○	○	○
Magic Fidelity Sound System	○	○	○	○	○
Soundprojector	○	○	○	○	○
Matched Sound Delay (Lip synchronous)	○	○	○	○	○
Subwoofer	○	○	○	○	○
Dynamic Bass	○	○	○	○	○
DSP (Digital Sound Processor)	○	○	○	○	○
Balance Adjustment	●	●	●	●	●
AVL (Audio Volume Level)	●	●	●	●	●
PIP listening via Headphone.jack	○	○	○	○	○
Equalizer	5 Band	5 Band	5 Band	5 Band	5 Band
Space Sound Effect	●	●	●	●	●
Audio mode	cinema, music, sport, speech, user	cinema, music, sport, speech, user	cinema, music, sport, speech, user	cinema, music, sport, speech, user	cinema, music, sport, speech, user
Audio amplifier	2x 3W (RMS)	2x 3W (RMS)	2x 3W (RMS)	2x 3W (RMS)	2x 3W (RMS)

	Vision 2 16-2941 T/C	Vision 2 19-2940 T	Vision 2 19-2941 T/C	Vision 2 22-2940 T	Vision 2 22-2941 T/C
USB part					
Screen saver	○	○	○	○	○
Recording	○	○	○	○	○
File browser	●	●	●	●	●
Video file resolution (max)	1920 x 1080	1920 x 1080	1920 x 1080	1920 x 1080	1920 x 1080
Supported files	MP3, JPG, BMP, MOV, MPG, MP4, AVI	.mp3, .m4a, .aac, .jpg, .bmp, .png, .3gp, .mov, .mpg, .mpe, .vob, .dat, .trp, .ts, .avi, .mp4, .mkv, H264, .txt			
Supported subtitles	t.b.d.	SRT, SSA, ASS, SMI, Video SUB	SRT, SSA, ASS, SMI, Video SUB	SRT, SSA, ASS, SMI, Video SUB	SRT, SSA, ASS, SMI, Video SUB
DVB reception	EN 300 744 & revised NorDig II spec (regarding DVB-T front end performance)				
Fully compliant to	● / ATS type sorting & LCN type sorting				
Automatic/manual channel search	●	●	●	●	●
EPG (SI based)	●	●	●	●	●
- 7 Day Electronic Programme Guide	●	●	●	●	●
- now/next	●	●	●	●	●
- scheduled	If broadcasted	If broadcasted	If broadcasted	If broadcasted	If broadcasted
- Extended Event Info	If broadcasted	If broadcasted	If broadcasted	If broadcasted	If broadcasted
- Short Event Info	If broadcasted	If broadcasted	If broadcasted	If broadcasted	If broadcasted
TV/Radio programmes	400	400	400	400	400
OSD languages	Same as analogue languages	Same as analogue languages	Same as analogue languages	Same as analogue languages	Same as analogue languages
Parental control	●	●	●	●	●
Teletext VBI insertion	or decoding	or decoding	or decoding	or decoding	or decoding
VPS - VBI insertion	PDC based	PDC based	PDC based	PDC based	PDC based
Programme table	full automatic sorting	full automatic sorting	full automatic sorting	full automatic sorting	full automatic sorting
Factory station list	●	●	●	●	●
DVB-T Front end	●	●	●	●	●
Tuner inputs (Hyperband)	1	1	1	1	1
Input frequency (MHz) / Loop through	177 - 862 VHF & UHF / ○	177 - 862 VHF & UHF / ○	177 - 862 VHF & UHF / ○	177 - 862 VHF & UHF / -	177 - 862 VHF & UHF / ○
Input level / Impedance	-80.0dBm to -20dBm (at 16 QAM 2/3) / 75Ω				
Modulation	COFDM 2/8 QPSK 16/64 QAM	COFDM 2/8 QPSK 16/64 QAM	COFDM 2/8 QPSK 16/64 QAM	COFDM 2/8 QPSK 16/64 QAM	COFDM 2/8 QPSK 16/64 QAM
FEC	1/2, 2/3, 3/4, 5/6, 7/8	1/2, 2/3, 3/4, 5/6, 7/8	1/2, 2/3, 3/4, 5/6, 7/8	1/2, 2/3, 3/4, 5/6, 7/8	1/2, 2/3, 3/4, 5/6, 7/8
Hierarchical modulation	○	○	○	○	○
Activ antenna support	●	●	●	●	●
DVB-C Front end	○	○	○	○	○
Input frequency (MHz)	47-862 VHF & UHF	○	47-862 VHF & UHF	○	47-862 VHF & UHF
Input level / Impedance	47-70dBµV / 75Ω	○	47-70dBµV / 75Ω	○	47-70dBµV / 75Ω
Demodulation / Symbol rate Ms/s	QAM 16/32/64/128/256 demodulation support (EN 300 429) / 4.0...7.2 Msymbols/s	○	QAM 16/32/64/128/256 demodulation support (EN 300 429) / 4.0...7.2 Msymbols/s	○	QAM 16/32/64/128/256 demodulation support (EN 300 429) / 4.0...7.2 Msymbols/s
Embedded Conditional Access	○	○	○	○	○
Common Interface	●	●	●	●	●
Smart Card Reader	○	○	○	○	○
Video Decoder	MP@ML, MP@HL, MPEG4 AVC H.264 HP@L4.0				
MPEG profiles	MP@ML, MP@HL, MPEG4 AVC H.264 HP@L4.0				
Resolution	576i, 576p, 720p, 1080i	576i, 576p, 720p, 1080i	576i, 576p, 720p, 1080i	576i, 576p, 720p, 1080i	576i, 576p, 720p, 1080i
OSD colors	Fitting to TV-OSD	Fitting to TV-OSD	Fitting to TV-OSD	Fitting to TV-OSD	Fitting to TV-OSD
Picture formats	4:3, 16:9, pan scan, letter box	4:3, 16:9, pan scan, letter box	4:3, 16:9, pan scan, letter box	4:3, 16:9, pan scan, letter box	4:3, 16:9, pan scan, letter box
Audio Decoder	MPEG 4, MPEG 2 layer I & II				
Profiles	MPEG 4, MPEG 2 layer I & II	MPEG 4, MPEG 1 layer I & II	MPEG 4, MPEG 1 layer I & II	MPEG 4, MPEG 1 layer I & II	MPEG 4, MPEG 1 layer I & II
AC 3 Decoding	○	○	○	○	○
AC 3 Output	○	○	○	○	○
Modes	Mono, Dual Mono, Stereo, Joint Stereo				
Software	Dynamic PMT				
Service information processing	Dynamic PMT	Dynamic PMT	Dynamic PMT	Dynamic PMT	Dynamic PMT
DVB subtitles	●	●	●	●	●
Over air download (OTA)	DVB enhanced profile	DVB enhanced profile	DVB enhanced profile	DVB enhanced profile	DVB enhanced profile
Navigator	via menu	via menu	via menu	via menu	via menu
API	○	○	○	○	○
Last station memory	from stand-by, as TV	from stand-by, as TV	from stand-by, as TV	from stand-by, as TV	from stand-by, as TV
Favourite mode	4x free	4x free	4x free	4x free	4x free
Timer / Sleep timer	○	○	○	○	○
Clock	○	○	○	○	○
Volume	○	○	○	○	○
Mute function	●	●	●	●	●
Swap function	●	●	●	●	●
POWER SUPPLY / CABINET	230V, 50Hz; in accordance to IEC 65				
Power voltage	140V - 265V	140V - 265V	140V - 265V	140V - 265V	140V - 265V
Range of regulation	140V - 265V	140V - 265V	140V - 265V	140V - 265V	140V - 265V
Power switch	Tact switch, side close to keyboard	●	●	●	●
Integrated supply	●	●	●	●	●
Plug-in AC adaptor	○	○	○	○	○
Power consumption	18W, standby <1.2W in accordance to IEC 62087-2002	30W, standby <1.2W in accordance to IEC 62087-2002	30W, standby <1W in accordance to IEC 62087-2002	45W, standby <1.2W in accordance to IEC 62087-2002	45W, standby < 1W in accordance to IEC 62087-2002
Cabinet (WxHxD)	38.7x27.9x6.5cm	45.8x31.5x6.5cm	45.8x31.8x6.2cm	52.5x35.6x6.5cm	52.3x35.6x6.9cm
Cabinet (WxHxD) with stand	38.7x31.1x13.5cm	45.8x34.3x16.5cm	45.8x34.2x16.0cm	52.5x38.0x16.5cm	52.3x38.0x16.0cm
Weight	ca. 2.8kg	ca. 3.5kg	ca. 3.3kg	ca. 4.5kg	ca. 4.3kg
FRONT PANEL CONNECTIONS					
HDMI	○	○	○	○	○
Headphones	○	○	○	○	○
Cinch-AV socket	○	○	○	○	○
S-Video	○	○	○	○	○
REAR PANEL CONNECTIONS					
Euro-AV-Socket AV1	Full wired	Full wired	Full wired	Full wired	Full wired
Euro-AV Socket AV2	○	○	○	○	○
Euro-AV Socket AV3	○	○	○	○	○
S-Video	via Scart	via Scart	via Scart	via Scart	via Scart
Camera-AV	3x Cinch socket in	3x Cinch socket in	3x Cinch socket in	3x Cinch socket in	3x Cinch socket in
Wireless	○	○	○	○	○
YUV input / progressive	via VGA	via VGA	via VGA	via VGA	via VGA
PC-input	WXGA	WXGA	WXGA	WXGA	WXGA
PC-Audio in	●	●	●	●	●
DVI	○	○	○	○	○
HDMI	2x	2x	2x	2x	2x
HD ready including HDCP	via HDMI	via HDMI	via HDMI	via HDMI	via HDMI
Common Interface	1 slot	1 slot	1 slot	1 slot	1 slot
Headphones	3.5mm jack	3.5mm jack	3.5mm jack	3.5mm jack	3.5mm jack
Digital Audio out coaxial (SPDIF)	○	○	○	○	○
Video out	○	○	○	○	○
Audio out	○	○	○	○	○
USB	USB 2.0	USB 2.0	USB 2.0	USB 2.0	USB 2.0
Antenna for terrestrial reception	1 x Coaxial-socket for TV-tuner-in, according to DIN 45325				
DC-connector	12V DC (11 - 14.5V, current consumption ca. 4A)	12V DC (11 - 14.5V, current consumption ca. 4A)	12V DC (11 - 14.5V, current consumption ca. 4A)	○	○
Power supply plug	●	●	●	●	●
SUPPLIED ACCESSORIES					
Remote control (incl. battery)	RC 23 incl. 2x Battery AAA size non grounded	RC 23 incl. 2x Battery AAA size non grounded	RC 23 incl. 2x Battery AAA size non grounded	RC 23 incl. 2x Battery AAA size non grounded	RC 23 incl. 2x Battery AAA size non grounded
Power cord	○	○	○	○	○
Cables	○	○	○	○	○
Instruction manual	●	●	●	●	●
Wall fixture	Prepared for VESA standard adaptor 100 x 100mm				
Stand	●	●	●	tilting function	tilting function
Cleaning tissue	●	○	●	○	●

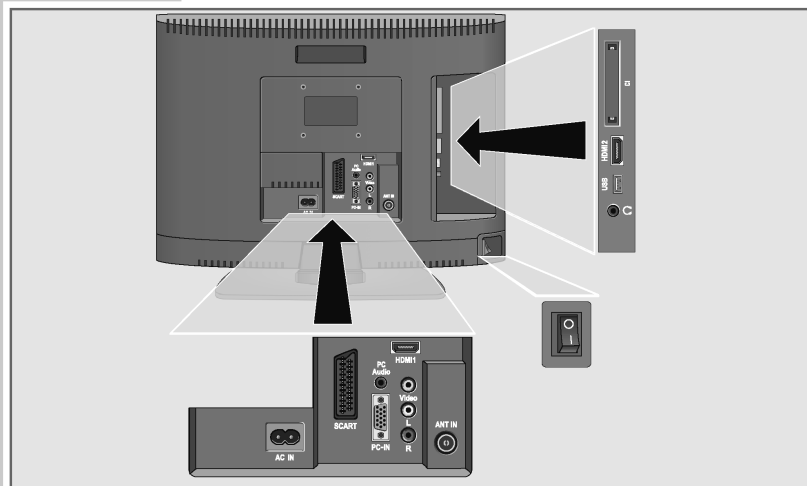



## Bedienhinweise

Dieses Kapitel enthält Auszüge aus der Bedienungsanleitung. Weitergehende Informationen entnehmen Sie bitte der gerätespezifischen Bedienungsanleitung, die Sie unter [www.grundig.de](http://www.grundig.de), Menüpunkt Downloads/Bedienungsanleitungen herunterladen können.

### AUF EINEN BLICK

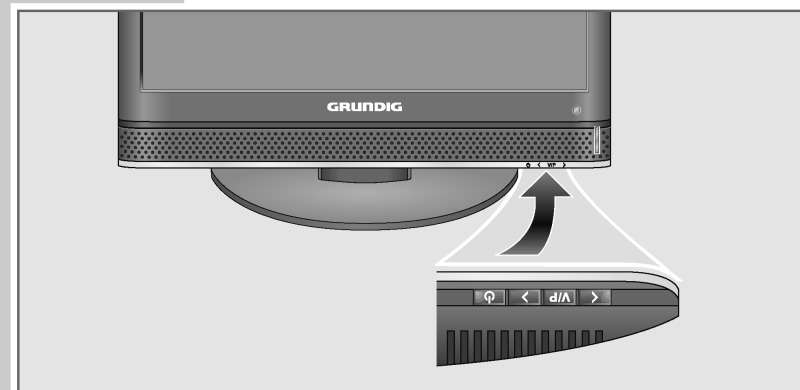
#### Die Anschlüsse des Fernsehgerätes






<b>AC IN</b>	Netzkabelanschluss.
<b>SCART</b>	Euro/AV-Buchse (FBAS-Signal, RGB-Signal).
<b>PC-IN</b>	VGA-Buchse, Bildsignal-Eingang für PC.
<b>PC Audio</b>	Tonsignal-Eingang für PC.
<b>L R</b>	Tonsignal-Eingang für Camerarecorder.
<b>Video</b>	Bildsignal-Eingang für Camerarecorder.
<b>HDMI1</b>	HDMI-Buchse, Ton-/Bildsignal-Eingang (HDMI).
<b>ANT-IN</b>	Antennenbuchse.
	Kopfhöreranschluss (3,5 mm ø Klinke).
<b>USB</b>	USB-Anschluss für externe Datenträger und PVR-Funktion.
<b>HDMI2</b>	HDMI-Buchse, Ton-/Bildsignal-Eingang (HDMI).
<b>CI</b>	Common Interface-Schacht.

### AUF EINEN BLICK

#### Die Bedienelemente des Fernsehgerätes



	Lautstärke vergrößern; Programmwahl aufwärts.
<b>V/P</b>	Vorwahltaste für Lautstärke oder Programmwahl. Schaltet das Fernsehgerät aus Stand-by ein.
	Lautstärke verringern; Programmwahl abwärts.
	Schaltet das Fernsehgerät aus Bereitschaft (Stand-by) ein und wieder in Bereitschaft.

## AUF EINEN BLICK

### Die Fernbedienung



- MUTE** Ton ein/aus (stummschalten).
- POWER** Schaltet das Fernsehgerät aus Bereitschaft (Stand-by) ein und wieder in Bereitschaft.
- 1 ... 0** Schalten das Fernsehgerät aus Stand-by ein; wählen Programme direkt.
- 16:9** Schaltet das Bildformat um; wählt im Videotext-Betrieb die Funktion Split Screen.
- 0 FAV** Ruft die Favoriten-Programmliste auf.
- REPEAT** Zapp-Funktion; wählt Unterseiten im Videotext-Betrieb; wählt im Dateimanager die Wiederhol-Funktion.
- V+ V-** Ändern die Lautstärke.
- ? / A-B** Ruft die Vorauswahl für AV-Programmplätze und den USB-Eingang auf. Danach Auswahl mit »▼« oder »▲« und bestätigen mit »OK«.
- EPG/A-B** Ruft den Elektronischen Programmführer (TV-Guide) auf; Antwortfreigabe im Videotext-Betrieb, wiederholt eine aufgenommene Sendung.
- P+ P-** Schalten das Fernsehgerät aus Stand-by ein; wählen Programme schrittweise.
- ▼ ▲** Bewegen im Menü den Cursor nach oben/ unten.
- ◀ ▶** Bewegen im Menü den Cursor nach links/rechts.
- OK** Ruft die Programmliste auf; aktiviert verschiedene Funktionen.
- DOUBLE** Vergrößert das Bild; schaltet auf doppelte Zeichengröße im Videotext-Betrieb.
- M** Ruft das Menü auf.
- ←** Schaltet in den Menüs eine Menüebene zurück.
- i** Blendet Nummer und Namen des Programmes sowie Programminformationen ein;
- (rot) **▶▶** Wählt im Videotext-Betrieb eine Seite; startet im Dateimanager die Wiedergabe und schaltet auf Wiedergabepause. Startet die Wiedergabe einer Sendung vom externen Datenträger;
- (grün) **◀◀** Wählt im Videotext-Betrieb eine Seite, startet im Dateimanager den Bildsuchlauf rückwärts.

## AUF EINEN BLICK



- (gelb) **■** Standbild; wählt im Videotext-Betrieb eine Seite; beendet im Dateimanager die Wiedergabe. beendet die Aufnahme oder die Wiedergabe im PVR-Betrieb. Timeshift-Betrieb (nur bei digitalen Fernsehprogrammen und wenn ein externer Datenträger angeschlossen ist).
- (blau) **▶▶** wählt im Videotext-Betrieb eine Seite; startet im Dateimanager den Bildsuchlauf vorwärts. Öffnet die Aufnahmeliste.
- TXT ◀◀** Schaltet zwischen Videotext-Betrieb, Mix-Betrieb und TV-Betrieb um; wählt im Dateimanager den nächsten Titel/das nächste Bild.
- R ▶▶** Seitenstopp im Videotext-Betrieb; wählt im Dateimanager den vorherigen Titel/das vorherige Bild. Startet die Aufnahme (bei digitalem Empfang, Aufnahme auf einen externen Datenträger.
- Wählt verschiedenen Untertitel (im digitalen Fernseh-Betrieb).
- 🔊** Wählt verschiedenen Audiosprachen (im digitalen Fernseh-Betrieb).

## USB RECORDING

### Externe Datenträger anschließen

Die Funktionen TimeShift, Aufnahme und Wiedergabe von Sendungen kann nur mit einem externen Datenträger durchgeführt werden.

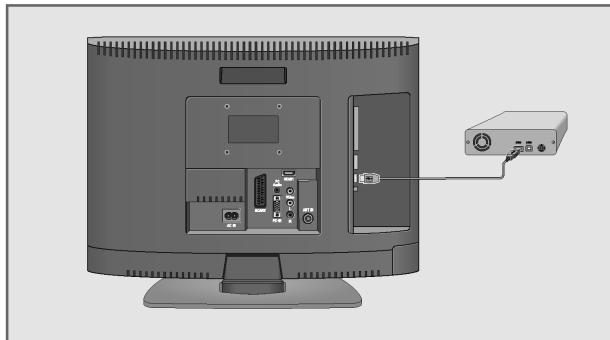
Der Datenträger sollte eine Mindestspeicherkapazität von 2 GB haben.

Die Aufnahme- und Wiedergabefunktionen können nur mit digitalen Fernseh-Programmen (DVB-T und DVB-C) durchgeführt werden.

#### Hinweise:

Vor dem Anschließen des Datenträgers schalten Sie das Fernsehgerät mit »POWER« in Bereitschaft (Stand-by). Erst nach dem Anschließen schalten Sie das Fernsehgerät wieder ein.

Vor dem Entfernen des externen Datenträgers muss das Fernsehgerät grundsätzlich auf Stand-by geschaltet werden, damit es nicht zu Datenverlusten kommt.



- 1 USB-Schnittstelle »USB« des Fernsehgerätes und entsprechende Buchse des Datenträgers (externe Festplatte) mit einem USB-Kabel verbinden;

oder

USB-Stecker des USB-Memory Sticks in die USB-Schnittstelle »USB« des Fernsehgerätes stecken.

- 2 Nach dem Anschließen des Datenträgers wird die Anzeige » Ja« eingeblendet.  
Option » Nein« mit »►« wählen und mit »OK« bestätigen.

## USB RECORDING

### Einstellungen für den PVR-Betrieb

#### Hinweis:

Das Menü »PVR Dateisystem« kann nur im „ Live-Betrieb“ (bei Verwendung eines digitalen Fernseh-Programmes) angewählt werden.

#### Menü anwählen

- 1 Menü mit »M« aufrufen.  
– Das Menü »BILD« wird eingeblendet.
- 2 Zeile »SONDERFUNKTIONEN« mit »◀« oder »▶« wählen und mit »OK« bestätigen.
- 3 Zur zweiten Menüseite mit »▼« schalten und Zeile »PVR Dateisystem« mit »OK« bestätigen.

#### Hinweis:

Die weitere Bedienung entnehmen Sie den folgenden Kapiteln.

#### Externen Datenträger formatieren

Vor der ersten Aufnahme muss der externe Datenträger formatiert werden. Gleichzeitig legen Sie fest, wieviel Speicherplatz des Datenträgers für TimeShift, Aufnahme und Wiedergabe von Sendungen zur Verfügung stehen soll.

Bei einem USB-Memory Stick mit z.B. 2 GB Speicherplatz kann nur zwischen der Option »1GB« oder »All« gewählt werden.

Bei einer Festplatte mit z.B. 100 GB Speicherplatz kann die Festplatte aufgeteilt werden (in Schritten zu 1GB, von »1GB« bis »99GB« oder »All«.

- 1 Zeile »Datenträgerwartung« mit »▼« oder »▲« wählen und mit »●« bestätigen.
- 2 Zeile »Format« mit »▼« oder »▲« wählen und mit »OK« bestätigen.  
– Der maximal vorhandene Speicherplatz des externen Datenträger wird angezeigt. Zusätzlich werden Sie informiert, wie lange Sie Sendungen auf die Festplatte aufnehmen können.

#### Hinweis:

Wenn auf Ihrem Datenträger andere Daten (wie zum Beispiel Bilder oder MP3 Daten) vorhanden sind, sollten diese vor dem Formatieren gesichert werden.

Wir empfehlen zur Mehrfachnutzung des Datenträgers (Bild-/Musikdaten und USB-Recording) diesen zu Partitionieren. Diese Partitionierung kann nur an einem PC durchgeführt werden.

- 3 Gewünschten Speicherplatz mit »◀« oder »▶« wählen.
- 4 Schaltfläche »OK« mit »▼« oder »▲« wählen und mit »OK« bestätigen.





## USB RECORDING

### Achtung:

Wird die folgende Sicherheitsabfrage bestätigt, dann werden alle Daten der Partition für USB Recording des Datenträgers gelöscht!



- 5 Sicherheitsabfrage (Schaltfläche »OK«) mit »◀« oder »▶« wählen und mit »OK« bestätigen;

oder

Schaltfläche »Nein« mit »◀« oder »▶« wählen (wenn der Datenträger nicht formatiert werden soll) und mit »OK« bestätigen.  
- Nach dem Bestätigen mit »OK« wird der externe Datenträger formatiert, dies kann einige Zeit dauern.

- 6 Einstellung mit »M« beenden.

### Externen Datenträger prüfen

Nach dem Formatieren des externen Datenträgers können Sie prüfen, ob der Datenträger für die Funktionen geeignet ist.

- 1 Zeile »Datenträgerwartung« mit »▼« oder »▲« wählen und mit »OK« bestätigen.
- 2 Zeile »Laufwerk prüfen« mit »▼« oder »▲« wählen und mit »OK« bestätigen.  
- Nach erfolgreicher Prüfung wird in der Zeile »Geschwindigkeit« diese angezeigt. Es wird außerdem eine Meldung eingeblendet, für welches Format der Datenträger geeignet ist.

### Partition des externen Datenträger wählen

Sind auf der externen Festplatte mehrere Partitionen vorhanden, können Sie diese anwählen.

- 1 Zeile »Datenträgerwartung« mit »▼« oder »▲« wählen und mit »OK« bestätigen.
- 2 Zeile »Laufwerk auswählen« mit »▼« oder »▲« wählen und mit »OK« bestätigen.
- 3 Gewünschte Partition (Laufwerk) mit »◀« oder »▶« wählen und mit »OK« bestätigen
- 4 Schaltfläche »OK« mit »▼« oder »▲« wählen und mit »OK« bestätigen.
- 5 Einstellung mit »M« beenden.

### Informationen über den externen Datenträger abrufen

- 1 Zeile »Datenträgerinfo« mit »▼« oder »▲« wählen und mit »OK« bestätigen.  
- Informationen über den Datenträger (Zeit für Timeshift, verbleibender Speicher und Gesamtspeicher) werden angezeigt.
- 2 Menü mit »M« abschalten.



## USB RECORDING

### Timeshift – Sendungen „anhalten“

Die aktuelle Sendung kann „angehalten“ werden. Dies ist eine nützliche Funktion, wenn z.B. während eines Spielfilmes das Telefon läutet, und Sie die Fortsetzung des Films nicht verpassen möchten.

Am Bildschirm erscheint ein Standbild der letzten Szene, die Sendung wird im „TimeShift-Speicher“ des externen Datenträgers gespeichert.

Im Timeshift-Betrieb können Sie können max. 10 Minuten der aktuellen Sendung aufnehmen.

- 1 Aktuelle Sendung mit »|||« anhalten.  
- Das Fernsehgerät schaltet auf Standbild, der Zeitversatz wird angezeigt, z.B. »- 00:00:01«.
- 2 Sendung mit »▶|||« fortsetzen.  
- Die Sendung wird weiterhin aufgezeichnet.

#### Hinweis:

Die folgenden Funktionen sind während des Timeshift-Betriebs möglich:

Zurückspulen, dazu »◀◀« je nach Geschwindigkeit mehrmals drücken (das Bild ist während des Rückspulens eingefroren);  
Vorwärtsspulen, dazu »▶▶« je nach Geschwindigkeit mehrmals drücken;

Pause mit »▶|||« anwählen.

- 3 Timeshift-Funktion mit »|||« beenden.  
- Die Meldung »Livestreamung« wird eingeblendet, Sie sehen die aktuelle Sendung ohne Zeitversatz.  
- Die Szenen im „TimeShift-Speicher“ sind gelöscht.

## USB RECORDING

### Sendungen aufnehmen

Sie können Sendungen aufnehmen. Die Daten dieser Sendungen werden auf einem externen Datenträger gespeichert, die Verwaltung von diesem Archiv erfolgt durch das Fernsehgerät.

Für die Aufnahme gelten folgende Richtwerte:  
Die Aufnahmezeit für hochauflösende Sendungen (HD) beträgt 8 Minuten bei einem Speicherplatz von 1 GB, für Standardsendungen 28 Minuten.

Während der Aufnahme können Sie vom Archiv eine andere Sendung wiedergeben.

Ein Wechseln des Programmplatzes ist nicht möglich.

### Sofortaufnahme einer Sendung

- 1 Fernseh-Programm mit »1...0« oder »P+«, »P-« wählen und Aufnahme mit »R« starten.
  - Informationen zur Aufnahme werden eingeblendet: Das Aufnahmesymbol, der Programmname, die Sendung, die Aufnahmezeit und der noch zur Verfügung stehende Speicherplatz.
  - Nach kurzer Zeit werden diese Informationen abgeschaltet, nur das Aufnahmesymbol blinkt unten rechts auf dem Bildschirm und die Aufnahmedauer wird während der Aufnahme angezeigt.

- 2 Aufnahme mit »■« beenden.

#### Hinweise:

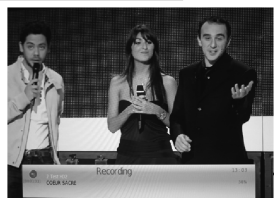
Nach Abschluss der Aufnahme wird die Aufzeichnung automatisch auf dem externen Datenträger gespeichert.

Die »Aufzeichnungsliste« mit den archivierten Sendungen können Sie mit »●« (Blaue) aufrufen.

Wird der externe Datenträger während der Aufnahme von der USB-Buchse getrennt, wird die Aufnahme automatisch abgebrochen und nicht gespeichert.

### Aufnahme einer Sendung aus der Programmliste

- 1 Programmliste mit »OK« aufrufen.
- 2 Das gewünschte Fernseh-Programm mit »▼«, »▲«, »◀« oder »▶« wählen und mit »OK« bestätigen.
- 3 Programmliste mit »M« abschalten.
- 4 Aufnahme mit »R« starten.
  - Informationen zur Aufnahme werden eingeblendet: Das Aufnahmesymbol, der Programmname, die Sendung, die Aufnahmezeit und der noch zur Verfügung stehende Speicherplatz.
  - Nach kurzer Zeit werden diese Informationen abgeschaltet, nur das Aufnahmesymbol blinkt unten rechts auf dem Bildschirm und die Aufnahmedauer wird während der Aufnahme angezeigt.
- 5 Aufnahme mit »■« beenden.



## USB RECORDING

### Sendungen für die Aufnahme programmieren

#### Sendungen für die Aufnahme programmieren – mit dem elektronischen Programmführer

Sie können die Daten für die gewünschte Sendung vom Elektronischen Programm Führer (EPG) übernehmen.

Sie können fünf Sendungen für die Timer-Aufnahme programmieren

- 1 Programminformationen mit »EPG« einblenden.
  - Der Elektronische Programmführer wird eingeblendet.
- 2 Das gewünschte Fernseh-Programm mit »▼« oder »▲« wählen.
- 3 Zu den Programminformationen der aktuellen Sendung mit »▶« umschalten.
- 4 Die gewünschte Sendung mit »▼« oder »▲« wählen.
- 5 Gewählte Sendung bestätigen, dazu »R« und danach »OK« drücken.
  - Das Menü »Recorder-Planliste« wird eingeblendet, die aktuellen Daten der Sendung werden angezeigt.

#### Hinweis:

Die Daten der Sendungen, die im Menü »Recorder-Planliste« gespeichert sind, können geändert werden, siehe Kapitel „Aufnahmedaten im Timer ändern“.

- 6 Menü »Recorder-Planliste« mit »M« abschalten.

#### Hinweise:

Vor dem Beginn der Timeraufnahme erscheint eine Warnmeldung mit einem 20-sekündigen Countdown; so erhalten Sie Gelegenheit, auf das programmierte Fernseh-Programm umzuschalten.

Sollte der Beginn der Timeraufnahme bei laufender Wiedergabe erreicht werden, wird die Wiedergabe nicht unterbrochen: Die Aufnahme erfolgt automatisch im Hintergrund, sofern Sie bei der Timercountdown-Meldung nicht »Ja« wählen.

#### Sendungen für die Aufnahme programmieren – durch manuelle Dateneingabe

Sie können fünf Sendungen für die Timer-Aufnahme programmieren

- 1 Eingabemenü einblenden, dazu »EPG« und danach »R« drücken.
- 2 Zeile »Programm« mit »▼« oder »▲« wählen das gewünschte Programm mit »◀« oder »▶« einstellen.
- 3 Zeile »Startdatum« mit »▼« oder »▲« wählen und das Datum mit »1...0« achtstellig (Jahr, Monat, Tag) eingeben.
- 4 Zeile »Startzeit« mit »▼« oder »▲« wählen und die Zeit mit »1...0« vierstellig eingeben.



## USB RECORDING

- 5 Zeile »Enddatum« mit »▼« oder »▲« wählen und das Datum mit »1...0« achtstellig (Jahr, Monat, Tag) eingeben.
- 6 Zeile »Endzeit« mit »▼« oder »▲« wählen und die Zeit mit »1...0« vierstellig eingeben.
- 7 Zeile »Modus« mit »▼« oder »▲« wählen und mit »◀« oder »▶« den gewünschten Modus (»Einmal«, »Täglich«, »Wöchentl.« oder »Monatlich«) auswählen.
- 8 Eingaben mit »OK« speichern.  
– Der Aufnahme-Timer ist programmiert.
- 9 Menü mit »M« abschalten.

### Hinweise:

Vor dem Beginn der Timeraufnahme erscheint eine Warnmeldung mit einem 20-sekündigen Countdown; so erhalten Sie Gelegenheit, auf das programmierte Fernseh-Programm umzuschalten.

Sollte der Beginn der Timeraufnahme bei laufender Wiedergabe erreicht werden, wird die Wiedergabe nicht unterbrochen: Die Aufnahme erfolgt automatisch im Hintergrund, sofern Sie bei der Timercountdown-Meldung nicht »Ja« wählen.

### Aufnahmedaten im Timermenü ändern

Sie können die Daten von programmierten Timern ändern.

- 1 Timermenü anwählen, dazu nacheinander »EPG«, »R« und »●« (gelb) drücken.  
– Das Menü »Recorder-Planliste« wird eingeblendet.
- 2 Titel der Sendung die geändert werden soll mit »▼« oder »▲« wählen und Timerplatz mit »●« (blau) aktivieren.  
– Das Eingabemenü wird eingeblendet.
- 3 Gewünschte Option mit »▼« oder »▲« wählen und Daten mit »1...0« und »◀« oder »▶« ändern.
- 4 Eingaben mit »OK« speichern.
- 5 Menü mit »M« abschalten.

### Aufnahmedaten im Timermenü löschen

Sie können programmierte Timer löschen.

- 1 Timermenü anwählen, dazu nacheinander »EPG«, »R« und »●« (gelb) drücken.  
– Das Menü »Recorder-Planliste« wird eingeblendet.
- 2 Titel der Sendung die gelöscht werden soll mit »▼« oder »▲« wählen und Timerplatz mit »●« (rot) löschen.
- 3 Menü mit »M« abschalten.

## USB RECORDING

### Wiedergabe

Die aufgezeichneten Sendungen – ob von Hand gestartet oder mit der Timer-Funktion – werden auf dem externen Datenträger gespeichert. Das Archiv des externen Datenträgers kann mit »●« (Blaue) aufgerufen werden.

### Sendung aus dem Archiv auswählen

- 1 Menü »Aufzeichnungsliste« mit »●« (Blaue) aufrufen.  
– Die »Aufzeichnungsliste« wird eingeblendet.
- 2 Gewünschte Sendung mit »▼« oder »▲« wählen und Wiedergabe mit »R« oder »OK« starten.
- 3 Wiedergabe mit »■« beenden.  
– Das Fernsehgerät schaltet auf das aktuelle Fernseh-Programm um.

### Bildsuche vorwärts/rückwärts

- 1 Während der Wiedergabe mit »▶▶« die Geschwindigkeit vorwärts (2x, 4x, 8x oder 16x) anwählen;  
oder  
während der Wiedergabe mit »◀◀« die Geschwindigkeit rückwärts (2x, 4x, 8x or 16x) anwählen (das Bild ist während des Rückspulens eingefroren).

### Einen Szene wiederholen (A-B)

Sie können den Start- und Endpunkt einer Szene markieren. Diese Szene wird dann ständig wiederholt.

- 1 Startpunkt A markieren, dazu während der Wiedergabe »EPG« an der gewünschten Szene zweimal drücken.  
– Diese Szene ist als Startpunkt A markiert.
- 2 Endpunkt B markieren, dazu während der Wiedergabe »EPG« an der gewünschten Szene noch einmal drücken.  
– Diese Szene ist als Endpunkt B markiert.  
– Das Fernsehgerät wiederholt die Sendung zwischen diesen beiden Punkten.
- 3 Wiederhol-Funktion mit »■« beenden.

### Wiedergabe während einer Aufnahme

Sie können entweder das aktuelle Fernseh-Programm sehen, das gerade aufgenommen wird, oder ein vorher aufgenommenes Fernseh-Programm während eine Aufnahme läuft.

- 1 Fernseh-Programm, das aufgezeichnet werden soll, mit »1...0« oder »P+«, »P-« wählen und Aufnahme mit »R« starten.
- 2 Menü »Aufzeichnungsliste« mit »●« (Blaue) aufrufen. Gewünschte Sendung mit »▼« oder »▲« wählen und Wiedergabe mit »OK« starten.  
– Die Aufnahme wird im Hintergrund fortgesetzt.
- 3 Wiedergabe mit »■« beenden.
- 4 Aufnahme mit »■« beenden.





## USB RECORDING

### Sendungen in der Aufnahmeliste sortieren oder löschen

Sie können aufgenommene Sendungen nach drei Kriterien sortieren (Programm, Kanal oder Zeit) oder die Sendungen aus der Aufnahmeliste löschen.

#### Sendungen löschen

Sie können Sendungen aus der Aufnahmeliste löschen.

- 1 Menü »Aufzeichnungsliste« mit »●« (Blaue) aufrufen.  
– Die »Aufzeichnungsliste« wird eingeblendet.
- 2 Sendung die gelöscht werden soll mit »▼« oder »▲« wählen.
- 3 Sendung mit »●« (rot) löschen.
- 4 Sicherheitsabfrage bestätigen,azu mit »◀« oder »▶« die Schaltfläche »Ja« wählen und mit »OK« bestätigen.

#### Hinweis:

Sendungen im Menü »Aufzeichnungsliste«, die gerade aufgenommen oder wiedergegeben werden, können nicht gelöscht werden.

- 5 Menü »Aufzeichnungsliste« mit »M« abschalten.

#### Sendungen sortieren

Sie können Sendungen im Menü »Aufzeichnungsliste« aufsteigend nach Programm, Kanal oder Zeit sortieren.

- 1 Menü »Aufzeichnungsliste« mit »●« (Blaue) aufrufen.  
– Die »Aufzeichnungsliste« wird eingeblendet.
- 2 Auswahlkriterium mit »●« (Blaue) wählen.  
– Die Sendungen werden nach Programm, Kanal oder Zeit sortiert.
- 3 Menü »Aufzeichnungsliste« mit »M« abschalten.

## KOMFORT-FUNKTIONEN

### Komfort-Funktionen

- 1 Menü mit »M« aufrufen.  
– Das Menü »BILD« wird eingeblendet.
- 2 Menü »SONDERFUNKTIONEN« mit »◀« oder »▶« wählen und mit »OK« bestätigen.

#### Hinweis:

Die weitere Bedienung entnehmen Sie den folgenden Kapiteln.

### Sprache der Benutzerführung ändern

- 1 Zeile »Menüsprache« mit »▼« oder »▲« wählen und mit »OK« bestätigen.
- 2 Zeile »Menüsprache« mit »▼« oder »▲« wählen.
- 3 Gewünschte Sprache mit »◀« oder »▶« wählen.
- 4 Einstellung mit »M« beenden.

### Sprachbezogene Einstellungen

(nur bei digitalen Fernseh-Programmen)

Sie können die Darstellung der Untertitel ändern bzw. diese ausschalten, die Untertitelsprache wählen, eine zweite Untertitelsprache wählen, die Audiosprache und eine zweite Audiosprache wählen.

- 1 Zeile »Menüsprache« mit »▼« oder »▲« wählen und mit »OK« bestätigen.
- 2 Gewünschte Zeile (»Audiosprachen«, »Untertitelsprache«, »Hörgeschädigte«) mit »▼« oder »▲« wählen und mit »OK« bestätigen.
- 3 Gewünschte Zeile (»Primär« oder »Sekundär«) mit »▼« oder »▲« wählen.
- 4 Gewünschte Einstellung mit »◀« oder »▶« vornehmen.
- 5 Zeile »Schließen« mit »▼« oder »▲« wählen und mit »OK« bestätigen.
- 6 Einstellung mit »M« beenden.

### Fernsehgerät in den Auslieferungszustand zurücksetzen

Mit dieser Funktion löschen Sie die Programmtabellen und alle persönlichen Einstellungen.

- 1 Zeile »Werkseinstellungen« mit »▼« oder »▲« wählen und mit »OK« bestätigen.
- 2 Schaltfläche »Ja« mit »◀« oder »▶« wählen und Reset-Funktion mit »OK« bestätigen.  
– Das Menü »Menüsprache« wird eingeblendet.
- 3 Setzen Sie bitte die Einstellungen mit Kapitel „Digitale Fernseh-Programme suchen“ auf Seite 13 fort.



## KOMFORT-FUNKTIONEN

### Spielmodus

Diese Funktion kann nur für die Programmplätze »HDMI«, »YPBPR« oder »PC« benutzt werden.

Mit dieser Funktion passen Sie die Bildeinstellungen des Fernsehgerätes an Spiele an. Der Anschluss der Spielekonsole erfolgt über die Buchsen »HDMI1«, »HDMI2« oder »PC-IN«.

Einstellungen im Menü »BILD« sind nicht mehr möglich.

- 1 Zeile »Spielmodus« mit »▼« oder »▲« wählen.
- 2 Funktion mit »◀« oder »▶« ein- ausschalten.
- 3 Einstellung mit »M« beenden.



### Kindersicherung

- 1 Menü mit »M« aufrufen.  
– Das Menü »BILD« wird eingeblendet.
- 2 Menü »KINDERSICHERUNG« mit »◀« oder »▶« wählen und mit »OK« bestätigen.
- 3 PIN-Code »0000« mit »1 ... 0« eingeben.

#### Hinweis:

Die weitere Bedienung entnehmen Sie den folgenden Kapiteln.

### System sperren

Mit dieser Funktion können Sie die Menüs des Fernseh-Gerätes sperren, so dass sie nur durch Eingabe des PIN-Codes zugänglich sind.

- 1 Zeile »System sperren« mit »▼« oder »▲« wählen.
- 2 Sperre mit »◀« oder »▶« aktivieren.
- 3 Einstellung mit »M« beenden.

### PIN-Code ändern

Sie können statt des Werkscodes »0000« einen persönlichen Code eingeben.

Notieren Sie sich bitte Ihren persönlichen Code.

- 1 Zeile »PIN festlegen« mit »▼« oder »▲« wählen und mit »OK« bestätigen.
- 2 Persönlichen neuen PIN-Code mit »1 ... 0« vierstellig eingeben.
- 3 Persönlichen PIN-Code mit »1 ... 0« noch einmal eingeben und mit »OK« bestätigen.
- 4 Einstellung mit »M« beenden.

#### Hinweis – Kindersicherung:

Mit dem PIN-Code **2356** können Sie die Einstellungen ändern.

DEUTSCH

37

## KOMFORT-FUNKTIONEN

### Fernseh-Programm sperren

Sie können einzelne Fernseh-Programme, die für Kinder nicht geeignet sind, mit einem persönlichen PIN-Code sperren.

- 1 Zeile »Prog. blockieren« mit »▼« oder »▲« wählen und mit »OK« bestätigen.  
– Das Menü »Prog. blockieren« wird eingeblendet.
- 2 Im Menü »Prog. blockieren« das gewünschte Fernseh-Programm mit »▼« oder »▲« wählen und mit »●« (grün) bestätigen.  
– Im Menü »Progr. blockieren« wird nach dem Programm das Symbol »⏸« eingeblendet.
- 3 Einstellung mit »M« beenden.

#### Hinweis:

Zum Freigeben das Fernseh-Programm mit »▼« oder »▲« wählen und Sperre mit »●« (grün) abschalten.

### Sendungen autorisieren

Es gibt Spielfilme, deren Inhalt oder auch Szenen nicht für Kinder geeignet sind.

Bestimmte Sendungen enthalten Informationen, die diesen Inhalt oder diese Szenen markieren und sind mit Zugangslevel von 4 bis 18 versehen. Sie können einen der Zugangslevel wählen und damit die Wiedergabe autorisieren.

- 1 Zeile »Jugendschutz« mit »▼« oder »▲« wählen.
- 2 Zugangslevel mit »◀« oder »▶« wählen.
- 3 Einstellung mit »M« beenden.

### Bedienfeldsperre (Kindersicherung)

Ist die Bedienfeldsperre aktiviert, sind die Tasten am Fernsehgerät außer Betrieb.

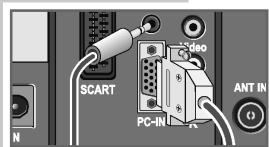
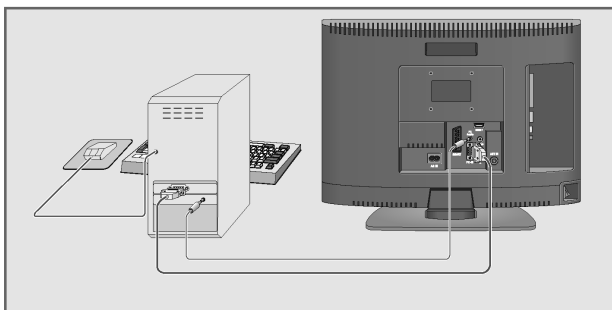
- 1 Zeile »Bedienfeldsperre« mit »▼« oder »▲« anwählen.
- 2 Bedienfeldsperre mit »◀« oder »▶« aktivieren (Ein) oder abschalten (Aus).
- 3 Einstellung mit »M« beenden.



38

## BETRIEB ALS PC-MONITOR

### PC anschließen



- 1 Buchse »PC-IN« des Fernsehgerätes und die entsprechende Buchse des PCs mit einem VGA Kabel verbinden (Bildsignal).
- 2 Buchse »PC Audio« des Fernsehgerätes und die entsprechenden Buchse des PCs mit geeignetem Kabel verbinden (Tonsignal).

#### Hinweis:

Passen Sie bitte Ihren PC an den Monitor an (Bildschirmauflösung z.B. 1280 x 768, Bildfrequenz z.B. 60 Hz).

### Programmplatz für den PC anwählen

- 1 »« drücken, mit »▼« oder »▲« den Programmplatz »PC« wählen und mit »OK« bestätigen.

### Einstellungen für den PC

- 1 Menü mit »M« aufrufen.  
– Das Menü »BILD« wird eingeblendet.
- 2 Menü »PC-EINRICHTUNG« mit »◀« oder »▶« wählen und mit »OK« bestätigen.
- 3 Gewünschte Funktion/Einstellung mit »▼« oder »▲« wählen und mit »◀« oder »▶« Einstellung durchführen.  
– Die Möglichkeiten:  
»Auto Position« zur automatischen Anpassung an den PC;  
»H Position« horizontale Bildposition einstellen;  
»V Position« vertikale Bildposition einstellen;  
»Größe« Taktfrequenz einstellen;  
»Phase« horizontales Flackern, Unschärfen und horizontale Streifen beseitigen.
- 4 Einstellung mit »M« beenden.



## INFORMATIONEN

### Signalinformationen einblenden

(Nur bei digitalen Fernseh-Programmen)

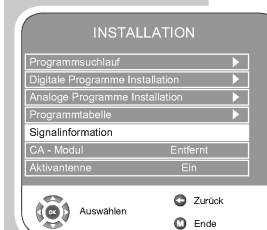
- 1 Menü mit »M« aufrufen.  
– Das Menü »BILD« wird eingeblendet.
- 2 Menü »INSTALLATION« mit »◀« oder »▶« wählen.
- 3 Zeile »Signalinformation« mit »▼« oder »▲« wählen und mit »OK« bestätigen.  
– Sie erhalten Informationen zum Kanal, dem Netzwerk, zur Modulation, zur Qualität und zur Signalstärke.

#### Hinweise:

Im unteren Abschnitt des Menüs werden die Signaleigenschaften dargestellt. Je weiter der Balken bei »Qualität« und »Signalstärke« nach rechts ausschlägt, desto besser ist das empfangene Signal.

Der Signalpegel hängt nicht nur von Ihrer Empfangsanlage, sondern auch von dem gerade aktiven Kanal ab. Beachten Sie dies, wenn Sie anhand der Signalstärkeanzeige die Ausrichtung Ihrer Antenne kontrollieren!

- 4 Einblendung mit »M« beenden.



### Software aktualisieren

(Nur bei digitalen Fernseh-Programmen)

- 1 Menü mit »M« aufrufen.  
– Das Menü »BILD« wird eingeblendet.
- 2 Menü »SONDERFUNKTIONEN« mit »◀« oder »▶« wählen.
- 3 Zeile »Software Update« mit »▼« oder »▲« wählen .
- 4 Software Update mit »OK« starten.  
– Die Software wird – falls möglich – automatisch aktualisiert.
- 5 Einstellung mit »M« beenden.



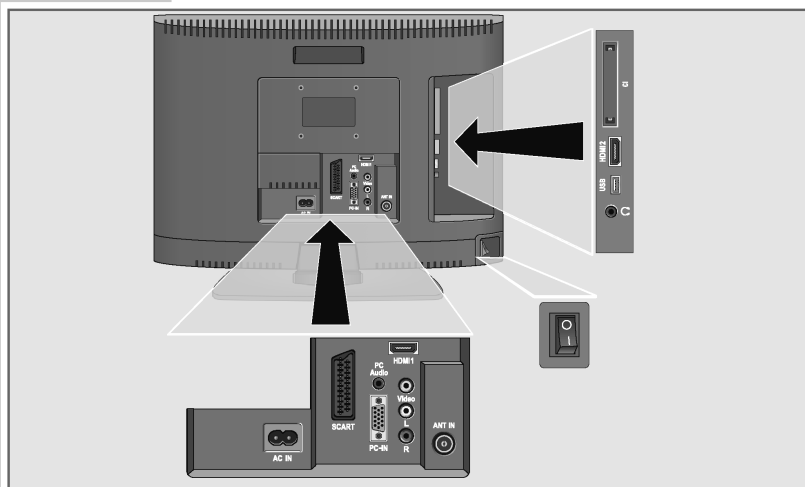
## Operating Hints


This chapter contains excerpts from the operating instructions.

For further particulars please refer to the appropriate user instructions which can be downloaded by [www.grundig.com](http://www.grundig.com), submenu Downloads/Manuals.

## OVERVIEW

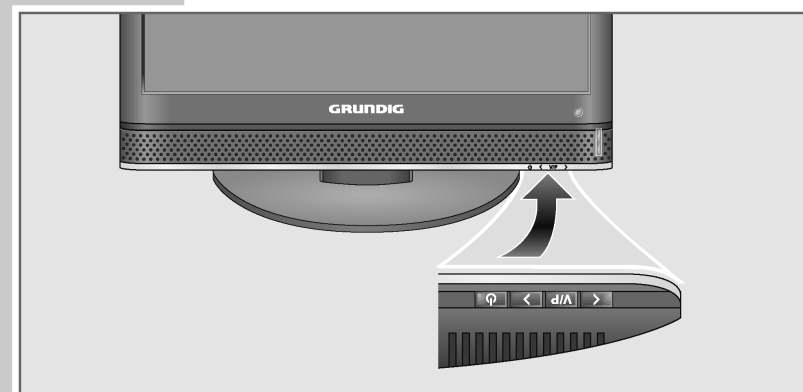
### Connections on the television set






<b>AC IN</b>	Power cord socket.
<b>SCART</b>	SCART socket (FBAS signal, RGB signal).
<b>PC-IN</b>	VGA socket, video input for PC.
<b>PC Audio</b>	Audio input for PC.
<b>L R</b>	Audio input for camcorder.
<b>Video</b>	Video input for camcorder.
<b>HDMI1</b>	HDMI socket, audio/video input (HDMI).
<b>ANT IN</b>	Antenna socket.
	Headphone connection (3.5 mm ø jack).
<b>USB</b>	USB socket for external data media and PVR function.
<b>HDMI2</b>	HDMI socket, audio/video input (HDMI).
<b>CI</b>	Common Interface slot.

## OVERVIEW

### Controls on the television set



	Switches the television on from standby and back into standby mode.
	Decreases the volume; station selection down.
<b>V/P</b>	Pre-selection for volume or station. Switches the television on from standby.
	Increases the volume; station selection up.



## OVERVIEW

### The remote control

- MUTE** Sound on/off (mute).
- POWER** Switches the television on from standby and back into standby mode.
- 1 ... 0** Switch the television on from standby mode. Select stations directly.
- 16:9** Switches between picture formats; selects the split screen function in teletext mode.
- 0 FAV** Opens the channel list favourites.
- REPEAT** Zapping function; selects subpages in teletext mode; selects the repeat function in the file browser.
- V+ V-** Adjust the volume.
- ?** Opens the pre-selection for AV channels and the USB input. Then select with »▼« or »▲« and confirm using »OK«.
- EPG/A-B** Opens the electronic TV guide. Reveals answers in teletext mode. repeats a selection of a recorded programme.
- P+ P-** Switch the television on from standby mode; select channels in steps.
- ▼ ▲** Move the cursor up and down in the menu.
- ◀ ▶** Move the cursor left/right in the menu.
- OK** Opens the channel list; activates various functions.
- DOUBLE** Enlarges the picture; switches to double character size in teletext mode.
- M** Opens the menu.
- ←** Switches back one menu level.
- i** Displays the number and name of a station as well as station information;
- (red) ▶ ||** Selects a page in teletext mode; starts playback in the file browser and switches to playback pause. Start playback in the file browser;
- (green) ◀◀** Selects a page in teletext mode; starts the reverse picture search in the file browser.

## OVERVIEW



- (yellow) ■** Freeze-frame; selects a page in teletext mode; ends recording or playback in the PVR mode. time shift during live signal (in digital TV operation, only via external data media).
- (blue) ▶▶** Selects a page in teletext mode; starts the forward picture search in the file browser. Opens the recorded list.
- TXT ◀◀** Switches between teletext mode, mixed mode and TV mode; selects the next track/the next picture in the file browser.
- R ▶▶** Page hold in teletext mode; selects the previous track/the previous picture in the file browser. Starts recording (in digital TV operation, recording only via external data media).
- ☐** Selects different subtitles (in digital TV mode).
- 🔊** Selects different languages (in digital TV mode).



## USB RECORDING

### Connecting external data media

The time shift function, recording and playback of programmes can only be carried out using an external data medium.

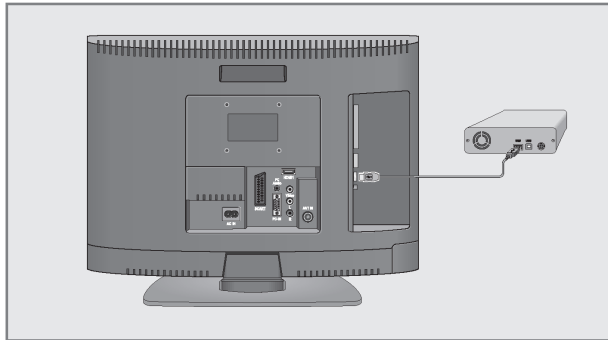
The data medium must have a capacity of at least 2 GB.

The recording and playback functions are only possible for digital TV stations (DVB-T and DVB-C).

#### Notes:

Before connecting the data medium, switch the television to stand-by with »POWER«. Connect the device and then switch the television on again.

Before disconnecting the data medium, the television must first be switched to standby, otherwise files can be damaged.



- 1 Connect the USB interface »USB« of the television and the corresponding socket on the data device (external hard drive, digital camera, card reader or MP3 player) using a USB cable;  
or  
plug the memory stick into the USB interface »USB« of the television.
- 2 » Yes« appears when you connect the data medium. Select » No« with »▶« and press »OK« to confirm.

## USB RECORDING

### Settings for PVR mode

#### Note:

The »PVR File System« menu can only be selected during live use (when using a digital television channel).

#### Selecting the menu

- 1 Open the menu with »M«.  
- The »PICTURE« menu is displayed.
- 2 Select »OPTIONS« with »◀« or »▶« and press »OK« to confirm.
- 3 Switch to the second menu page with »▼« and confirm »PVR File System« with »OK«.

#### Note:

Additional operations are explained in the following sections.

#### Formatting external data media

Before the first recording, the external data medium must be formatted. At the same time, you specify how much memory space on the data medium is available for the time shift, recording and playback function.

On a USB stick with, for example 2 GB of memory, you can only choose between the options »1GB« and »All«.

On a hard drive with, for example, 100 GB of memory, you can divide it (in 1GB steps from »1GB« to »19GB« or »All«).

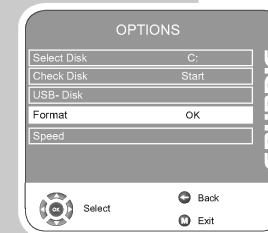
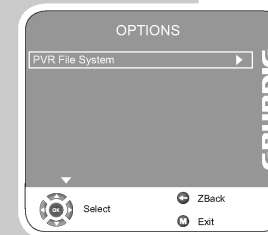
- 1 Select »Disk Maintenance« with »▼« or »▲« and press with »OK« to confirm.
- 2 Select »Format« with »▼« or »▲« and press »OK« to confirm.  
- The maximum available memory space on the external data medium is displayed. The system also indicates the length of time for which you can record programmes on the hard drive.

#### Note:

If there is other data on your data medium (pictures or MP3 files, for example), these should be saved before formatting.

If you are using the data medium for multiple purposes (picture/music files and USB recording), we recommend that you partition it. Partitioning can only be carried out using a computer.

- 3 Select the required memory space with »◀« or »▶«.
- 4 Select »OK« with »▼« or »▲« and press »OK« to confirm.



## USB RECORDING

### Caution:

If the following security query is confirmed, all the data in the partition for USB recording on the data medium will be deleted!



- 5 Select the security query (»OK« button) with »◀« or »▶« and press »OK« to confirm;

### or

select »No« with »◀« or »▶« (if you do not want to format the data medium) and press »OK« to confirm.

– After you have confirmed by pressing »OK«, the external data medium is formatted; this can take some time.

- 6 Press »M« to end the setting.

### Testing the external data medium

After formatting the external data medium, you can test whether it is suitable for the functions.

- 1 Select »Disk Maintenance« with »▼« or »▲« and press with »OK« to confirm.
- 2 Select »Check Disk« with »▼« or »▲« and press with »OK« to confirm.  
– After the test, it is shown in the »Speed« line. The format for which the data medium is suitable is also displayed.

### Selecting a partition on the external data medium

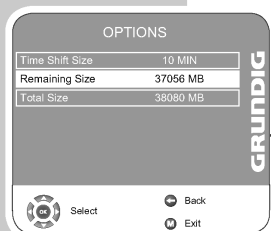
If there are several partitions on the external data medium, you can select one.

- 1 Select »Disk Maintenance« with »▼« or »▲« and press with »OK« to confirm.
- 2 Select »Select Disk« with »▼« or »▲« and press with »OK« to confirm.
- 3 Select the partition (Disk) with »◀« or »▶« and press »OK« to confirm
- 4 Select »OK« with »▼« or »▲« and press »OK« to confirm.
- 5 Press »M« to end the setting.

### Information on the external media

You can call up information on the external data media or format it.

- 1 Select »Disk Information« with »▼« or »▲« and press »OK« to confirm.  
– The Disk Information is displayed. It contains the time shift duration, remaining size and total size.
- 2 Press »M« to quit the menu.



## USB RECORDING

### Time shift – pausing programmes

You can pause the programme you are watching. This is a useful function, for example if the telephone rings while you are watching a film and you do not want to miss anything.

A freeze-frame display of the last scene appears on the screen and the programme is recorded in the time shift memory of the external data medium.

In time shift mode you can record a maximum of 10 minutes of the current programme.

- 1 Press »|||« during the broadcast.  
– The television switches to the freeze-frame and the time delay is displayed, e.g. »- 00:00:01«.
- 2 To resume the broadcast, press »▶|||«.  
– The system continues recording the broadcast while you are watching it.

### Note:

The following functions are possible when in time shift mode:  
Fast rewind, press »◀◀« several times depending on the desired speed (the picture is frozen while rewinding);  
Fast forward, press »▶▶« several times depending on the desired speed;  
Select pause by pressing »▶|||«.

- 3 Press »|||« to end the time shift function.  
– The message »Live Broadcast« appears.  
– The scenes in the time shift memory are deleted.

## USB RECORDING

### Recording

You can record programmes. The data for these programmes is recorded on an external data medium and this archive is administered via the television set.

The following approximate values apply to the recording: Recording time for high-definition programmes (HD) is 8 minutes with 1 GB of memory, for standard programmes it is 28 minutes. While recording, you can watch another programme from the archive.

You cannot change presets.

### Recording a programme immediately

- 1 Select the programme with »1...0« or »P+«, »P-« and press »R«.
  - Information on the recording is displayed: the recording symbol, the channel name, the programme, the recording time and the available memory space.
  - After a short time this information disappears; only the recording symbol flashes on the bottom right of the screen and the recording time is displayed.
- 2 To end the recording, press »■«.

#### Notes:

When you finished the recording, it is automatically stored into external media, you can see the media with »Recorded Lists« by pressing »●« (Blue).

If external media unplugged while recording, the remaining media recording process is cancelled automatically and it is not saved into external media.

### Recording a programme from the channel list

- 1 Press »OK« to open the channel list.
- 2 Press »▼«, »▲«, »◀« or »▶« to select the programme and »OK« to confirm.
- 3 Press »M« to exit channel list.
- 4 Press »R« to start recording.
  - Information on the recording is displayed: the recording symbol, the channel name, the programme, the recording time and the available memory space.
  - After a short time this information disappears; only the recording symbol flashes on the bottom right of the screen and the recording time is displayed.
- 5 To end the recording, press »■«.



## USB RECORDING

### Setting programmes for recording

#### Setting programmes for recording using the electronic programme guide

You can use data from the electronic programme guide (EPG) for recording.

You can select up to five programmes for timer recording.

- 1 Press »EPG« to open the electronic programme guide (EPG).
- 2 Select the television station with »▼« or »▲«.
- 3 Press »▶« to switch to today's broadcasts.
- 4 Press »▼« or »▲« to select recording programme.
- 5 Press »R« and »OK« to add the broadcasts to the timer.
  - The »Timer list« menu is displayed along with the current programme data.

#### Note:

The data for the programmes in the »Timer list« menu can be edited, see »Editing timer recording data«.

- 6 Press »M« to exit the »Timer list« menu.

#### Notes:

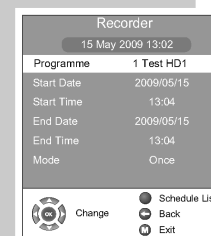
Before you start timer recording, a warning message appears with a 20-second countdown; this gives you the opportunity to switch back to the set television channel.

If the timer recording starts during playback, playback is not interrupted. Recording takes place automatically in the background as long as you do not select »Yes« when the timer countdown message is shown.

#### Setting programmes for recording by entering the data manually

You can select up to five programmes for timer recording.

- 1 Select the input menu by pressing »EPG« and then »R«.
- 2 Select »Programme« with »▼« or »▲« and press »◀« or »▶« to select programme.
- 3 Select »Start Date« with »▼« or »▲« and enter the date with »1...0« (year, month, day).
- 4 Select »Start Time« with »▼« or »▲« and enter the time with »1...0«.
- 5 Select »End Date« with »▼« or »▲« and enter the date with »1...0« (year, month, day).
- 6 Select »End Time« with »▼« or »▲« and enter the time with »1...0«.



## USB RECORDING

- 7 Select »Mode« with »▼« or »▲« and press »◀« or »▶« to select »Once«, »Every Day«, »Weekly« or »Monthly«.
- 8 To save the setting, press »OK«.  
– The recording timer is now programmed.
- 9 Press »M« to exit the menu.

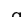


### Notes:

Before you start timer recording, a warning message appears with a 20-second countdown; this gives you the opportunity to switch back to the set television channel.

If the timer recording starts during playback, playback is not interrupted. Recording takes place automatically in the background as long as you do not select »Yes« when the timer countdown message is shown.




### Editing recording data in the timer menu

You can edit the data for programmed timer recordings.

- 1 Select the timer menu by pressing »EPG«, »« and »« (yellow) in succession.  
– The »Timer list« menu is displayed.
- 2 Select the title of the programme to be edited with »▼« or »▲« and activate the timer position with »« (blue).  
– The input menu is displayed.
- 3 Select the required option with »▼« or »▲« and edit the data with »1...0« and »◀« or »▶«.
- 4 Press »OK« to confirm the entries.
- 5 Press »M« to exit the menu.


### Deleting recording data in the timer menu

You can delete programmed timer recordings.




- 1 Select the timer menu by pressing »EPG«, »« and »« (yellow) in succession.  
– The »Timer list« menu is displayed.
- 2 Select the title of the programme to be deleted with »▼« or »▲« and delete the timer position with »« (red).
- 3 Press »M« to exit the menu.

## USB RECORDING

### Playback

The recorded programmes – whether started manually or using the timer function – are stored on the external data medium. You can open the archive on the external data medium by pressing »« (Blue).

### Selecting a broadcast from the recorded list

- 1 Press »« (Blue) to open the recorded list.  
– The »Recorded List« appears.
- 2 Press »▼« or »▲« to select the broadcast and »« or »OK« to start playback.
- 3 Press »« to end playback.  
– The television switches to the current broadcast.

### Forward/reverse picture search


- 1 During playback, press »▶▶« repeatedly to select the playback speed (2x, 4x, 8x or 16x);

or

press »◀◀« repeatedly to select the playback speed (2x, 4x, 8x or 16x). The picture is frozen while rewinding.





### Repeating a selected scene (A-B)

You can mark the start and end of scene, this is then played back repeatedly.

- 1 Mark the starting point A by pressing »EPG« twice at the required scene during playback.  
– This scene is marked as the starting point A.
- 2 Mark the end point B by pressing »EPG« once again at the required scene during playback.  
– This scene is marked as the end point B.  
– The television repeats the programme between these two points.
- 3 Press »« to quit the function.

### Playback during a recording

During a recording, you can either watch the programme you are currently recording or watch a different one that you have already recorded.

- 1 Select the station to be recorded with »1...0« or »P+«, »P-« and press »« to start the recording.
- 2 Select the »Recording list« menu by pressing »« (Blue). Select the programme you want with »▼« or »▲« and press »OK« to start playback.  
– The recording is continued in the background.
- 3 Press »« to end playback.
- 4 Press »« to stop recording.



## USB RECORDING

### Sorting or deleting programmes in the recording list

You can sort recorded programmes by various criteria (station, channel or time) or delete them from the list.

#### Deleting programmes

You can delete programmes from the recording list.

- 1 Select the »Recording list« menu by pressing »●« (Blue).  
– The »Recording list« is displayed.
- 2 Select the programme to be deleted with »▼« or »▲«.
- 3 Press »●« (red) to delete the programme.
- 4 Confirm the security query by using »▼« or »▲« to select the »Yes« button and press »OK« to confirm.

#### Note:

You cannot delete programmes in the »Recording list« menu which are currently being recorded or played back.

- 5 Press »M« to exit the »Recording list« menu.

#### Sorting programmes

You can sort programmes in the »Recording list« menu in ascending order of station, channel or time.

- 1 Select the »Recording list« menu by pressing »●« (Blue).  
– The »Recording list« is displayed.
- 2 Press »●« (Blue) to choose the selection criterion.  
– The programmes are sorted by station, channel or time.
- 3 Press »M« to exit the »Recording list« menu.

## CONVENIENCE FUNCTIONS

### Convenience functions

- 1 Open the menu with »M«.  
– The »PICTURE« menu is displayed.

- 2 Select »OPTIONS« with »◀« or »▶« and press »OK« to confirm.

#### Note:

Additional operations are explained in the following sections.

#### Changing the menu language

- 1 Select »Language Settings« with »▼« or »▲« and press »OK« to confirm.
- 2 Select »Language Settings« with »▼« or »▲«.
- 3 Select the language with »◀« or »▶«.
- 4 Press »M« to finish the setting.

#### Language settings

(only for digital television channels)

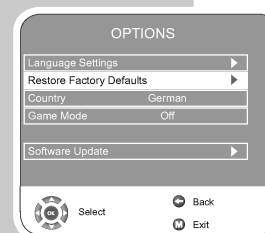
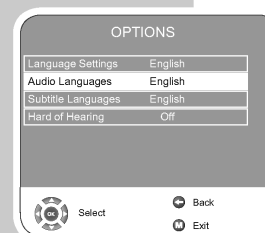
You can alter the appearance of subtitles or disable them, select the subtitle language, select a second subtitle language, and select the audio language and a second audio language.

- 1 Select »Language Settings« with »▼« or »▲« and press »OK« to confirm.
- 2 Select »Audio Languages«, »Subtitle languages«, »Hard of Hearing« with »▼« or »▲« and press »OK« to confirm.
- 3 Select »Primary« or »Secondary« with »▼« or »▲« and press »OK« to confirm.
- 4 Press »◀« or »▶« to make the setting.
- 5 Select »Close« with »▼« or »▲« and press »OK« to confirm.
- 6 Press »M« to end the setting.

#### Resetting the television to its original state

This function enables you to delete the station lists and all custom settings.

- 1 Select »Restore Factory Defaults« with »▼« or »▲« and press »OK« to confirm.
- 2 Select the »Yes « button with »◀« or »▶« and confirm the reset function with »OK«.  
– The »Installation Guide« menu is displayed.
- 3 Continue the settings as described in the chapter on searching for television stations on page 13.



## CONVENIENCE FUNCTIONS

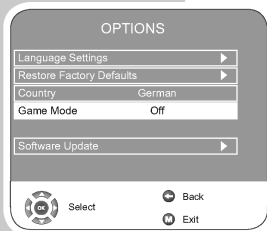
### Game mode

This function is only available for preset channels »HDMI«, »YPBPR« or »PC«.

Use this function to adjust the screen settings of the television set for games. Connect the games console using the »HDMI1«, »HDMI2« or »PC-IN VGA« sockets.

You can no longer make settings in the »PICTURE« menu.

- 1 Select »Game Mode« with »▼« or »▲«
- 2 Press »◀« or »▶« to switch the function on or off.
- 3 Press »M« to end the setting.



### Parental control

- 1 Open the menu with »M«.  
- The »PICTURE« menu is displayed.
- 2 Select the »PARENTAL CONTROL« menu with »◀« or »▶« and press »OK« to confirm.
- 3 Enter the PIN code »0000« with »1 ... 0«.

#### Note:

Additional operations are explained in the following sections.

### Lock the system

Using this function, you can lock the television menus so that they can only be accessed by entering a PIN code.

- 1 Select »Lock System« with »▼« or »▲«.
- 2 Activate the lock with »◀« or »▶«.
- 3 Press »M« to end the setting.

### Changing the PIN code

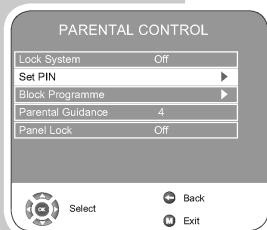
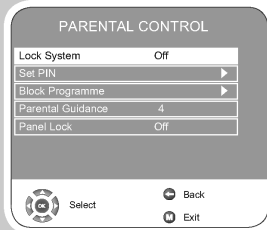
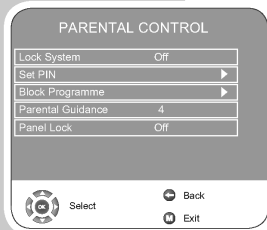
Instead of the default code »0000«, you can enter a personal code.

Please take note of your personal code.

- 1 Select »Set PIN« with »▼« or »▲« and press »OK« to confirm.
- 2 Enter your new personal PIN code with »1 ... 0« in four digits.
- 3 Enter your personal PIN code again with »1 ... 0« and press »OK« to confirm.
- 4 Press »M« to end the setting.

#### Note – Parental control:

Instead of the PIN Code **2356**, you can enter a new personal code.



## CONVENIENCE FUNCTIONS

### Block a television channel

You can block individual television channels which are not suitable for children using a personal PIN code.

- 1 Select »Block Programme« with »▼« or »▲« and press »OK« to confirm.  
- The »Block Programme« menu appears.
- 2 In the »Block Programme« menu, press »▼« or »▲« to select the channel and press »●« (green) to confirm.  
- In the »Block Programme« menu the symbol »⏸« is displayed after the station.
- 3 Press »M« to end the setting.

#### Note:

Press »▼« or »▲« to release the channel and switch off the block by pressing »●« (green).

### Authorise channels

There are movies which contain contents or scenes which are not suitable for children.

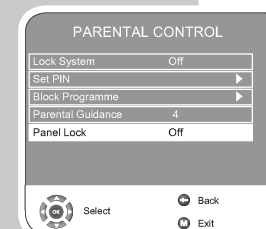
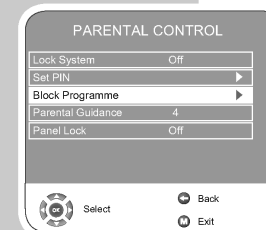
Certain programmes contain information which identifies these contents or scenes and have been given an access level from 4 to 18. You can select one of the access levels and thus authorise the playback.

- 1 Select »Parental Guidance« with »▼« or »▲«.
- 2 Select the access level with »◀« or »▶«.
- 3 Press »M« to end the setting.

### Blocking the control panel (parental control)

If the control panel block is activated, the buttons on the television do not work.

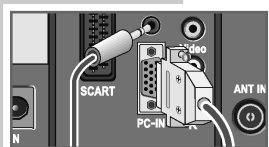
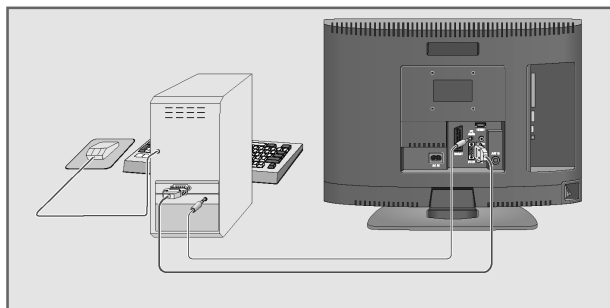
- 1 Select »Panel Lock« with »▼« or »▲«.
- 2 Activate (On) or deactivate (Off) the panel block with »◀« or »▶«.
- 3 Press »M« to end the setting.





## PC MONITOR MODE

### Connecting a PC




- 1 Connect the socket »PC-IN« on the television to the corresponding socket on the PC using a VGA cable.
- 2 Connect the socket »PC AUDIO« on the television to the corresponding socket on the PC using a cinch cable (audio signal).

#### Note:

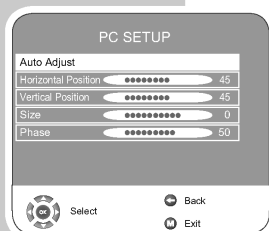
Adjust your PC to the monitor (for example, picture resolution 1280 x 768, picture frequency 60 Hz).

### Selecting the channel position for the PC

- 1 Press »**M**«, select the »PC« channel with »▼« or »▲« and press »OK« to confirm.

### Settings for the PC

- 1 Open the menu with »**M**«.
  - The »PICTURE« menu is displayed.
- 2 Select the »PC SETUP« menu with »◀« or »▶« and confirm with »OK«.
- 3 Select the function or setting you want with »▼« or »▲« and press »◀« or »▶« to execute it.
  - Options:
    - »Auto Adjust« For automatic PC configuration;
    - »Horizontal Position« Adjust the picture position horizontally;
    - »Vertical Position« Adjust the picture position vertically;
    - »Size« Set the cycle frequency;
    - »Phase« Remove horizontal flicker, blurring and horizontal lines.
- 4 Press »**M**« to finish the settings.



## INFORMATION

### Displaying signal information

(only for digital television channels)

- 1 Open the menu with »**M**«.
  - The »PICTURE« menu appears.
- 2 Select the menu »CHANNEL SETUP« with »◀« or »▶«.
- 3 Select »Signal Information« with »▼« or »▲« and press »OK« to confirm.
  - You will see information on the channel, modulation, quality and signal strength.

#### Notes:

The lower section of the menu shows the signal properties. The further the bar for »Quality« and »Signal Strength« extends to the right, the better the reception signal.

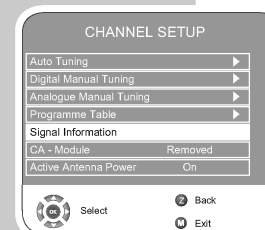
The signal level not only depends on your receiver system, but also on the channel which is currently active. Remember this when aligning your antenna using the signal level display.

- 4 Press »**M**« to end the display.

### Updating software

(only for digital television channels)

- 1 Open the menu with »**M**«.
  - The »PICTURE« menu appears.
- 2 Select the »OPTIONS« menu with »◀« or »▶«.
- 3 Select the »Software Update« menu by pressing »▼« or »▲«.
- 4 Press »OK« to start the software update.
  - The software is updated automatically, if possible.
- 5 Press »**M**« to end the setting.



## Service- und Sonderfunktionen

### Tastenfunktionen

- M Aufrufen/Beenden des Dialog Centers /  
Beenden des Service Mode
- ▲ ▼ Menü-Zeile (Menüpunkt) wählen
- OK Aufrufen der Menüs
- ◀ ▶ Wert ändern
- ← Untermenü: Zurück zum Hauptmenü  
Hauptmenü: Beenden des Service Mode

### Service-Mode aktivieren

- Taste M (TV-Menü) drücken.
- Zahlenfolge 8500 eingeben.

### Service-Mode beenden

- Taste M drücken.

### 1. Grundeinstellwerte

Die Grundeinstellwerte im Service Mode sind in der Tabelle enthalten.

## Service and Special Functions

### Functions of the buttons

- M Call up/exit the Dialog Center /  
exit the Service Mode
- ▲ ▼ Call up the dialogue line (point of menu)
- OK Call up the Menus
- ◀ ▶ Changing the settings
- ← Submenu: Back to main menu  
Main menu: Exit the Service Mode

### Calling up the Service Mode

- Press button "M" (TV Menu).
- Enter the code number 8500.

### Exit the Service Mode

- Press button M.

### 1. Basic Settings

The table shows all basic specific settings in the service mode.

Menü Menu ▲ / ▼	Menüpunkt Point of Menu OK	Einstellung Ad- justment ◀ / ▶	19 VLE 2000 T	22 VLE 2000 C	22 VLE 2000 T	22-2010 T/C Black	Hamburg 22-2940 T	Hamburg 22-2942 T/C	Hinweis Hint	
OPTIONS 0	STANDBY	CUSTOMER	X	X	X	X	X	X	Netz-Ein / Power on → Standby	
		FACTORY							Netz-Ein / Power on → Programm 1	
	TEXT	FAST TOP/ FAST/TOP/NONE	FAST	FAST	FAST	FAST	FAST	FAST		
	TEXT PAGE	10/250/1000	1000	1000	1000	1000	1000	1000		
	* TUNER		Eingebauten Tuner wählen Select used tuner							
	PLUG PLAY	ON	ATS Reset: Netz ein → Automatischer Sendersuchlauf Power on → automatic programme search							
		OFF	X	X	X	X	X	X		
HDCP VERIFY		prüft HDCP im EEPROM / verifies HDCP in EEPROM								
* 0.1 WATT	Ein/Aus	Aus	Aus	Aus	Aus	Aus	Aus	Aus		
OPTIONS 1	Blue Back	ON/OFF	ON	ON	ON	ON	ON	ON		
	Panorama	AVAIL/NAVAIL	AVAIL	AVAIL	AVAIL	AVAIL	AVAIL	AVAIL		
	* Remote		Fernbedienung wählen / Select used remote control							
	Keypad	3 BUTTON+1STD	X	X	X	X	X	X	X	
		TOUCH BUTTON								
		JOYSTICK								
	Hotel	AVAIL/NAVAIL	NAVAIL	NAVAIL	NAVAIL	NAVAIL	NAVAIL	NAVAIL	Hotel-Mode	
	Hotel Volume	0...100	65	65	65	65	65	65	Max. Lautstärke im Hotel-Mode Hotel mode – volume maximum	
	Hotel First Power	Power ON/Standby	Standby	Standby	Standby	Standby	Standby	Standby		
	7 Segment Disp.	AVAIL/NAVAIL	NAVAIL	NAVAIL	NAVAIL	NAVAIL	AVAIL	AVAIL		
Eco TV	ON/OFF	OFF	OFF	OFF	OFF	OFF	OFF			
* PVR-Dateisystem	ON/OFF	OFF	OFF	OFF	ON	OFF	ON			
OPTIONS 2	PC	AVAIL/NAVAIL	AVAIL	AVAIL	AVAIL	AVAIL	AVAIL	AVAIL		
	HDMI 1	AVAIL/NAVAIL	AVAIL	AVAIL	AVAIL	AVAIL	AVAIL	AVAIL		
	HDMI 2	AVAIL/NAVAIL	NAVAIL	NAVAIL	NAVAIL	NAVAIL	NAVAIL	NAVAIL		
	AV	AVAIL/NAVAIL	AVAIL	AVAIL	AVAIL	AVAIL	AVAIL	AVAIL	Audio/Video-Eingang Audio/Video Input	
	S-Video	AVAIL/NAVAIL	AVAIL	AVAIL	AVAIL	AVAIL	AVAIL	AVAIL	S-Video-Eingang S-Video Input	
	Scart	AVAIL/NAVAIL	AVAIL	AVAIL	AVAIL	AVAIL	AVAIL	AVAIL		
	YPBPR	AVAIL/NAVAIL	AVAIL	AVAIL	AVAIL	AVAIL	AVAIL	AVAIL		
	* USB	AVAIL/NAVAIL	AVAIL	AVAIL	AVAIL	AVAIL	AVAIL	AVAIL		
DVD	AVAIL/NAVAIL	NAVAIL	NAVAIL	NAVAIL	NAVAIL	NAVAIL	NAVAIL			
SOUND OPTIONS	L	AVAIL/NAVAIL	AVAIL	AVAIL	AVAIL	AVAIL	AVAIL	AVAIL		
	Headphone	AVAIL/NAVAIL	AVAIL	AVAIL	AVAIL	AVAIL	AVAIL	AVAIL	Kopfhörer / Headphone	
	* ATS	AVAIL/NAVAIL	AVAIL	AVAIL	AVAIL	AVAIL	AVAIL	AVAIL	Autom. Programmsortierung nach Suchlauf Autom. programme sorting at autoprogram operation	
	* SRS TruSurround XT	AVAIL/NAVAIL	AVAIL	AVAIL	AVAIL	AVAIL	AVAIL	AVAIL		
	HIDEV MONO	AVAIL/NAVAIL	NAVAIL	NAVAIL	NAVAIL	NAVAIL	NAVAIL	NAVAIL		
IF SET-TINGS	AGC VHF	0...31	6	6	6	6	6	6		
	AGV UHF	0...31	0	0	0	0	0	0		
	AGC LPRIME	0...31	8	8	8	8	8	8		

\* Abhängig von der Software / dependend of software

Alle weiteren Menüs werden über die Gerätesoftware programmiert und dürfen nicht verstellt werden.  
All other menus are programmed by the software of the set and must not be adjusted.

Menü Menü ▲ / ▼	Menüpunkt Point of Menu OK	Einstellung Adjustment ◀ / ▶	Leemaxx 19 HD	Leemaxx 19 HD/C	Leemaxx 19 HD/CR	Leemaxx 19 T4	Vision 22-2940 H	Vision 2 16-2941 T/C	Vision 2 19-2940 T	Vision 2 19-2941 T/C	Vision 2 22-2940 T	Vision 2 22-2941 T/C		
OPTIONS 0	STANDBY	CUSTOMER FACTORY	X	X	X	X	X	X	X	X	X	X		
	TEXT	FAST TOP/ FAST/TOP/NONE	FAST	FAST	FAST	FAST	FAST	FAST	FAST	FAST	FAST	FAST		
	TEXT PAGE	10/250/1000	1000	1000	1000	1000	1000	1000	1000	1000	1000	1000		
	* TUNER	Eingebauten Tuner wählen Select used tuner												
	PLUG PLAY	ON OFF	ATS Reset: Netz ein → Automatischer Sendersuchlauf Power on → automatic programme search											
	HDCP VERIFY	prüft HDCP im EEPROM / verifies HDCP in EEPROM												
	* 0.1 WATT	Ein/Aus	Aus	Aus	Aus	Aus	Aus	Aus	Aus	Aus	Aus	Aus	Aus	
OPTIONS 1	Blue Back	ON/OFF	ON	ON	ON	ON	ON	ON	ON	ON	ON	ON		
	Panorama	AVAIL/NAVAIL	AVAIL	AVAIL	AVAIL	AVAIL	AVAIL	AVAIL	AVAIL	AVAIL	AVAIL	AVAIL		
	* Remote	Fernbedienung wählen / Select used remote control												
	Keypad	3 BUTTON+1STD	X	X	X	X	X	X	X	X	X	X	X	
		TOUCH BUTTON												
		JOYSTICK												
	Hotel	AVAIL/NAVAIL	NAVAIL	NAVAIL	NAVAIL	NAVAIL	NAVAIL	NAVAIL	NAVAIL	NAVAIL	NAVAIL	NAVAIL		
	Hotel Volume	0...100	65	65	65	65	65	65	65	65	65	65		
	Hotel First Power	Power ON/Standby	Standby	Standby	Standby	Standby	Standby	Standby	Standby	Standby	Standby	Standby	Standby	
	7 Segment Disp.	AVAIL/NAVAIL	NAVAIL	NAVAIL	NAVAIL	NAVAIL	AVAIL	NAVAIL	NAVAIL	NAVAIL	NAVAIL	NAVAIL	NAVAIL	
Eco TV	ON/OFF	OFF	OFF	OFF	OFF	OFF	OFF	OFF	OFF	OFF	OFF	OFF		
* PVR-Datensystem	ON/OFF	OFF	OFF	ON	OFF	OFF	OFF	OFF	OFF	OFF	OFF	OFF		
OPTIONS 2	PC	AVAIL/NAVAIL	AVAIL	AVAIL	AVAIL	AVAIL	AVAIL	AVAIL	AVAIL	AVAIL	AVAIL	AVAIL		
	HDMI 1	AVAIL/NAVAIL	AVAIL	AVAIL	AVAIL	AVAIL	AVAIL	AVAIL	AVAIL	AVAIL	AVAIL	AVAIL		
	HDMI 2	AVAIL/NAVAIL	NAVAIL	NAVAIL	NAVAIL	NAVAIL	NAVAIL	NAVAIL	NAVAIL	NAVAIL	NAVAIL	NAVAIL		
	AV	AVAIL/NAVAIL	AVAIL	AVAIL	AVAIL	AVAIL	AVAIL	AVAIL	AVAIL	AVAIL	AVAIL	AVAIL		
	S-Video	AVAIL/NAVAIL	AVAIL	AVAIL	AVAIL	AVAIL	AVAIL	AVAIL	AVAIL	AVAIL	AVAIL	AVAIL		
	Scart	AVAIL/NAVAIL	AVAIL	AVAIL	AVAIL	AVAIL	AVAIL	AVAIL	AVAIL	AVAIL	AVAIL	AVAIL		
	YBPBR	AVAIL/NAVAIL	AVAIL	AVAIL	AVAIL	AVAIL	AVAIL	AVAIL	AVAIL	AVAIL	AVAIL	AVAIL		
	* USB	AVAIL/NAVAIL	AVAIL	AVAIL	AVAIL	AVAIL	AVAIL	AVAIL	AVAIL	AVAIL	AVAIL	AVAIL		
	DVD	AVAIL/NAVAIL	NAVAIL	NAVAIL	NAVAIL	NAVAIL	NAVAIL	NAVAIL	NAVAIL	NAVAIL	NAVAIL	NAVAIL	NAVAIL	
	SOUND OPTIONS	L	AVAIL/NAVAIL	AVAIL	AVAIL	AVAIL	AVAIL	AVAIL	AVAIL	AVAIL	AVAIL	AVAIL	AVAIL	
Headphone		AVAIL/NAVAIL	NAVAIL	NAVAIL	NAVAIL	NAVAIL	AVAIL	AVAIL	AVAIL	AVAIL	AVAIL	AVAIL		
* ATS		AVAIL/NAVAIL	AVAIL	AVAIL	AVAIL	AVAIL	AVAIL	AVAIL	AVAIL	AVAIL	AVAIL	AVAIL		
* SRS TruSurround XT		AVAIL/NAVAIL	NAVAIL	NAVAIL	NAVAIL	NAVAIL	AVAIL	AVAIL	AVAIL	AVAIL	AVAIL	AVAIL		
HIDEV MONO		AVAIL/NAVAIL	NAVAIL	NAVAIL	NAVAIL	NAVAIL	NAVAIL	NAVAIL	NAVAIL	NAVAIL	NAVAIL	NAVAIL		
IF SETTINGS	AGC VHF	0...31	6	6	6	6	6	6	6	6	6	6		
	AGV UHF	0...31	0	0	0	0	0	0	0	0	0	0		
	AGC LPRIME	0...31	8	8	8	8	8	8	8	8	8	8		

\* Abhängig von der Software / dependend of software

Alle weiteren Menüs werden über die Gerätesoftware programmiert und dürfen nicht verstellt werden.  
All other menus are programmed by the software of the set and must not be adjusted.

## 2. Software-Versionsnummer

Die Software-Versionsnummer wird unten im Menü Sonderfunktionen und im Service Menü angezeigt, z.B.:

ST5GR.F8M.R128M.V00.T24

## 3. Programmsuchlauf

- Taste M (TV-Menü) drücken.
- "INSTALLATION" mit den Tasten ◀▶ anwählen und mit der Taste OK bestätigen.
- "Programmsuchlauf" mit den Tasten ▲▼ anwählen und mit der Taste ▶ bestätigen.
- Gewünschtes Land mit den Tasten ◀▶ auswählen.
- "Suchtyp" mit den Tasten ▲▼ anwählen und mit den Tasten ◀▶ einstellen.
- "Zeitzone" mit den Tasten ▲▼ anwählen und mit den Tasten ◀▶ einstellen.
- "Programmsuchlauf" mit der Taste OK starten.  
Das automatische Sendersuchsystem stoppt bei jedem empfangswürdigen Sender (AFC und Koizidenz) und speichert automatisch die entsprechenden Senderdaten mit dem jeweiligen Standard. Danach wird der Suchlauf fortgesetzt.  
Zum Abbrechen des Suchlaufes die Taste M drücken.

## 2. Software Version Number

The software version number is shown on the lower part of the options menu and the service menu, e.g.:

ST5GR.F8M.R128M.V00.T24

## 3. Channel Search

- Press button M (TV Menu).
- Select "CHANNEL SETUP" with the buttons ◀▶ and confirm with button OK.
- Select "Auto Tuning" with the buttons ▲▼ and confirm with button ▶.
- Select the required Country with the buttons ◀▶.
- Select "Scan Type" with the buttons ▲▼ and adjust with buttons ◀▶.
- Select "Time Zone" with the buttons ▲▼ and adjust with buttons ◀▶.
- Start "Channel setup" with the button OK.  
The auto programme system stops at every station of acceptable reception quality (AFC and coincidence) and stores the station data and the respective standard automatically. The system then continues searching.  
Pressing the M button stops the programme search.

Platinenabbildungen und Schaltpläne / Layout of PCBs and Circuit Diagrams

Chassisplatte / Chassis Board YTS190R-5

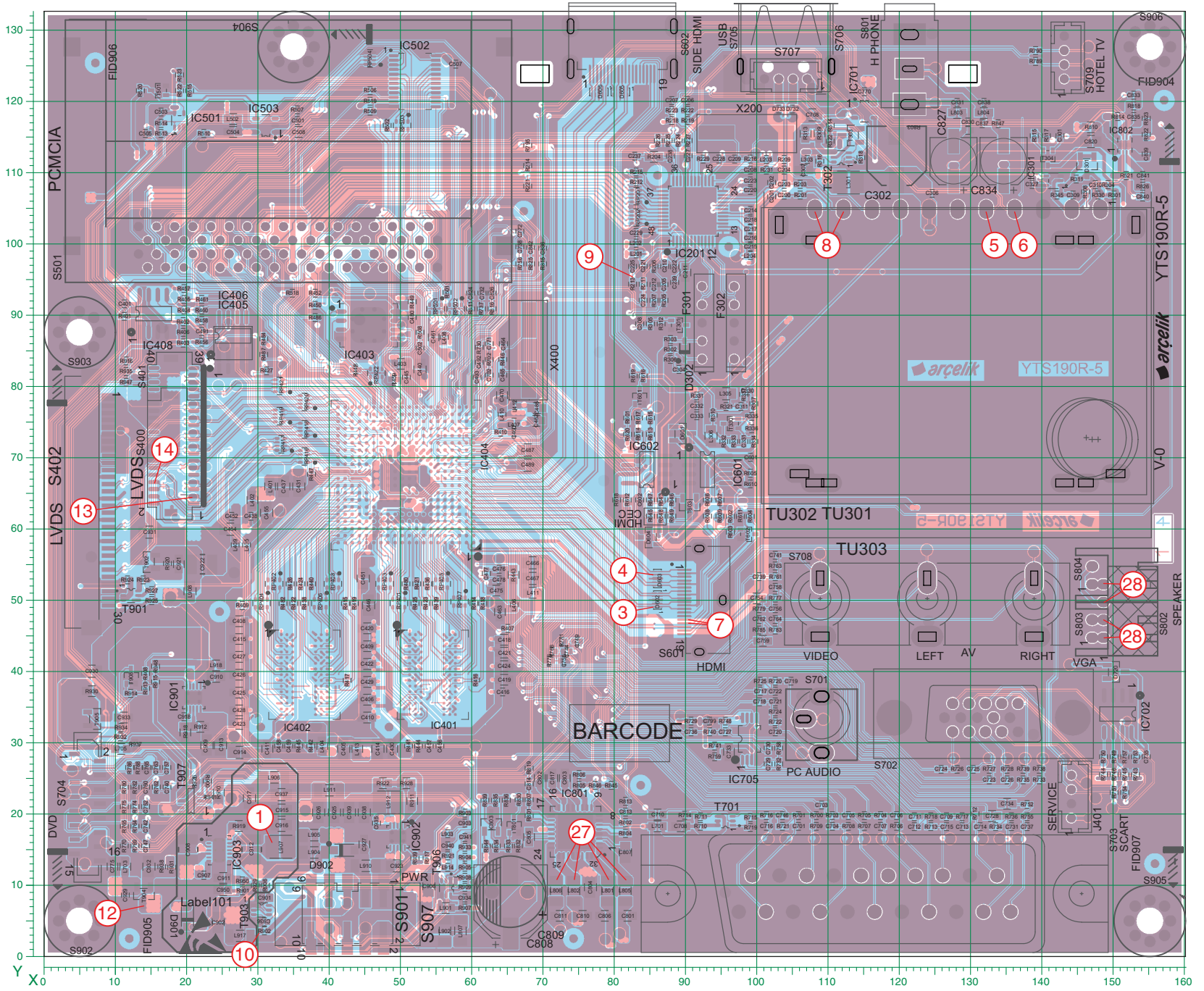
T: Bestückungsseite / Component Side  
B: Lötseite / Solder Side

Table with columns POS., X, Y for multiple PCB layouts. Rows list component identifiers and coordinates.

Chassisplatte / Chassis Board

YTS190R-5

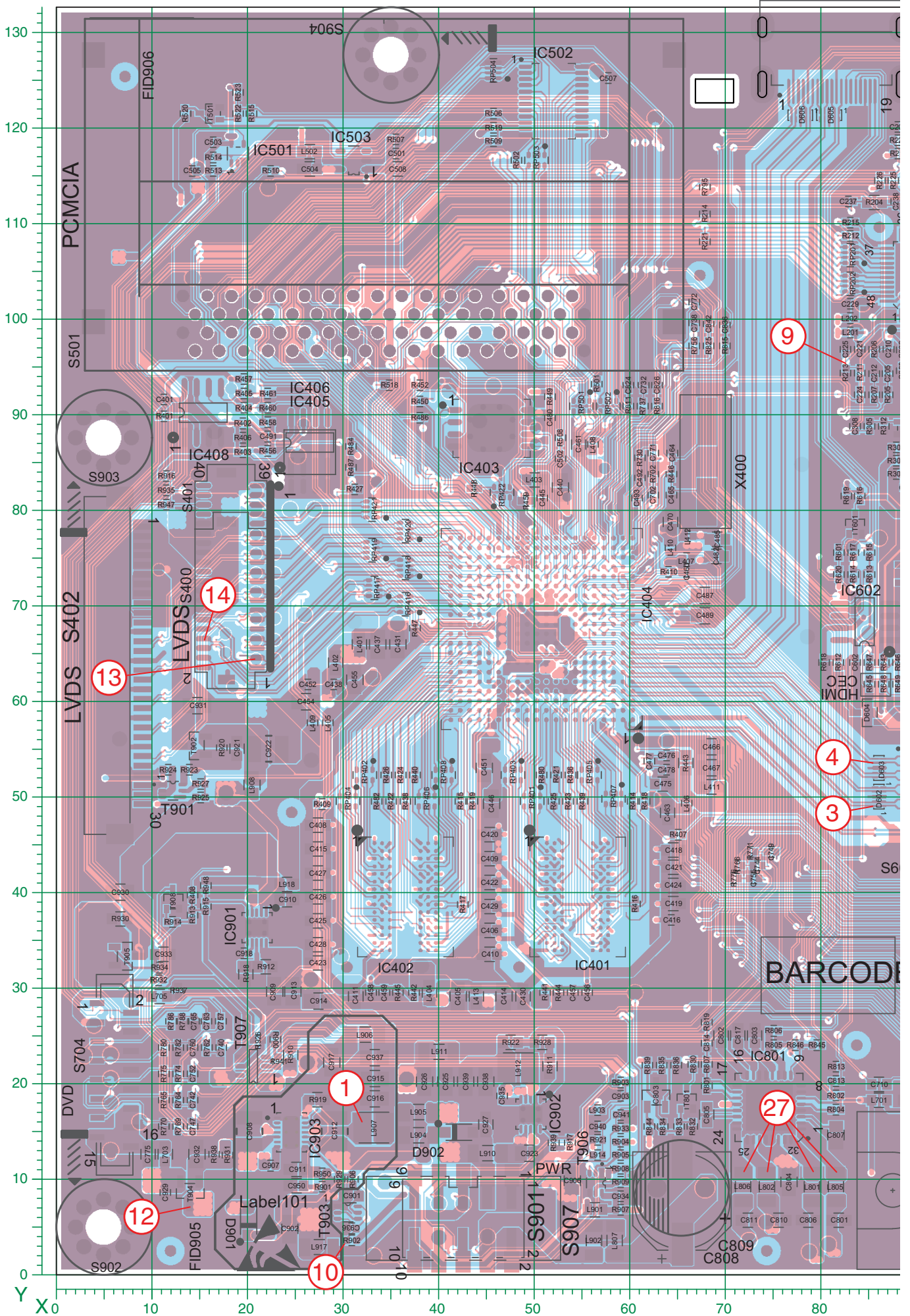
Ansicht von der Bestückungsseite  
View of Component Side





Chassisplatte / Chassis Board YTS190R-5

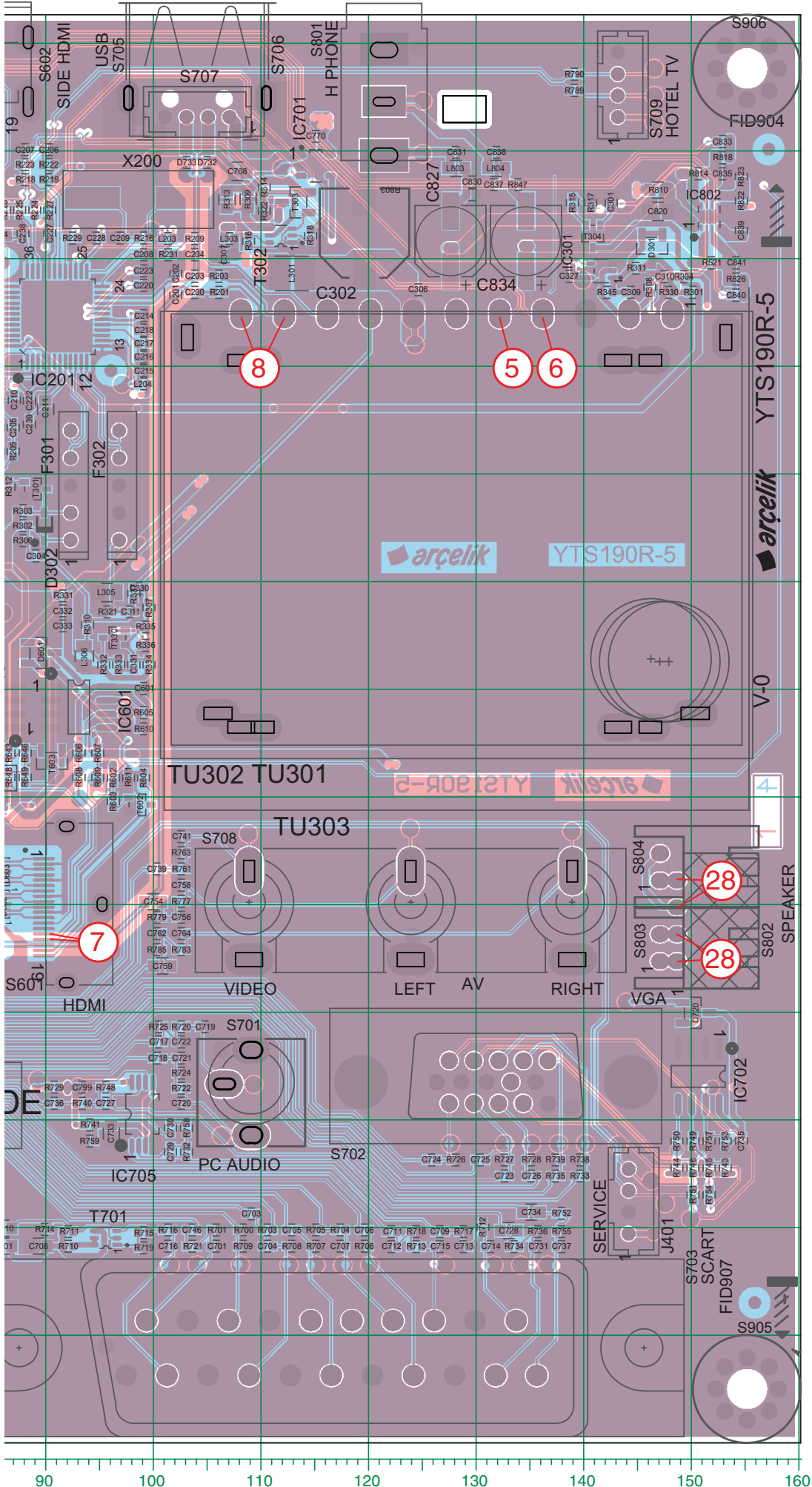
Ansicht von der Bestückungsseite / View of Component Side





Chassisplatte / Chassis Board YTS190R-5

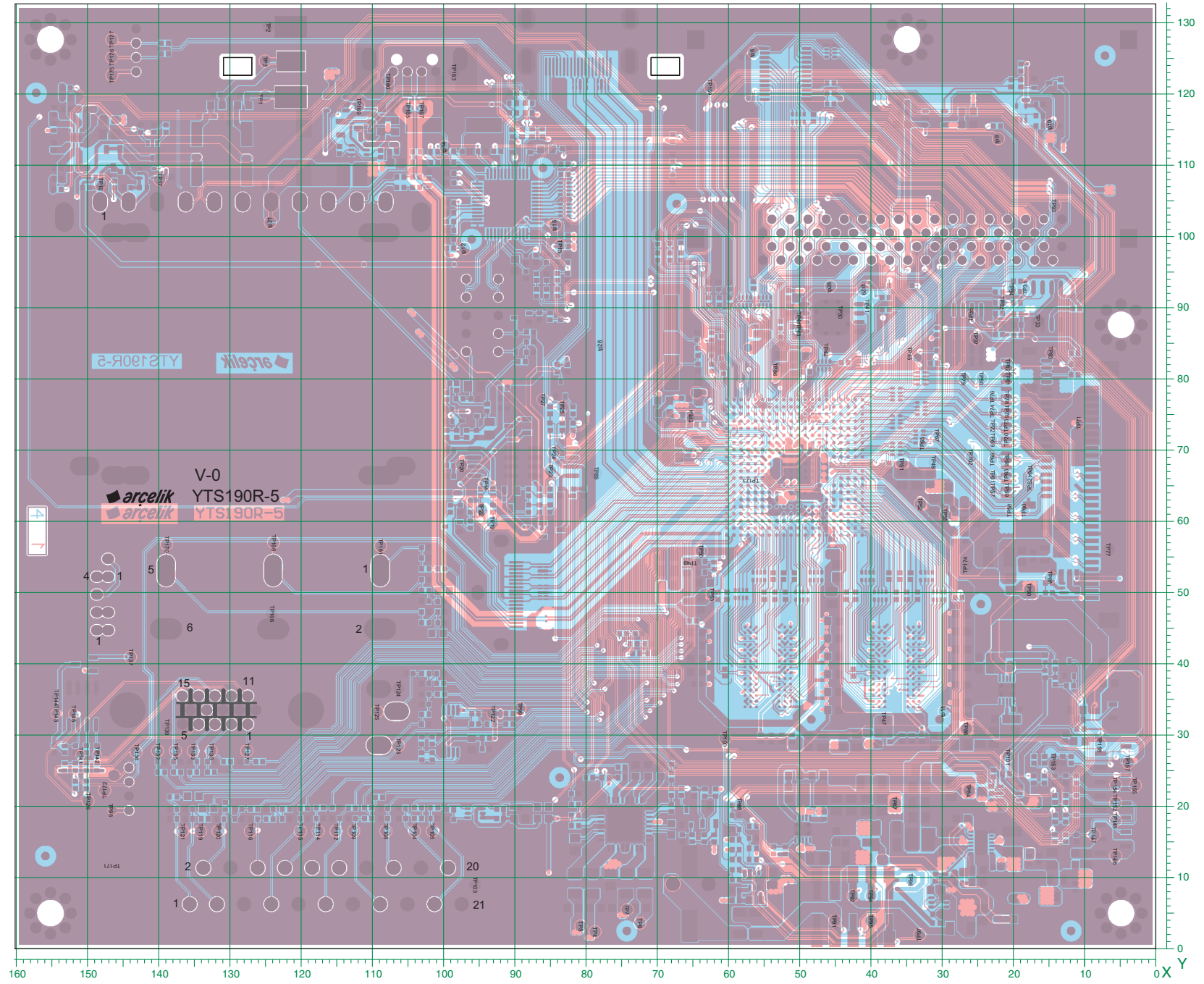
Ansicht von der Bestückungsseite / View of Component Side



### Chassisplatte / Chassis Board

YTS190R-5

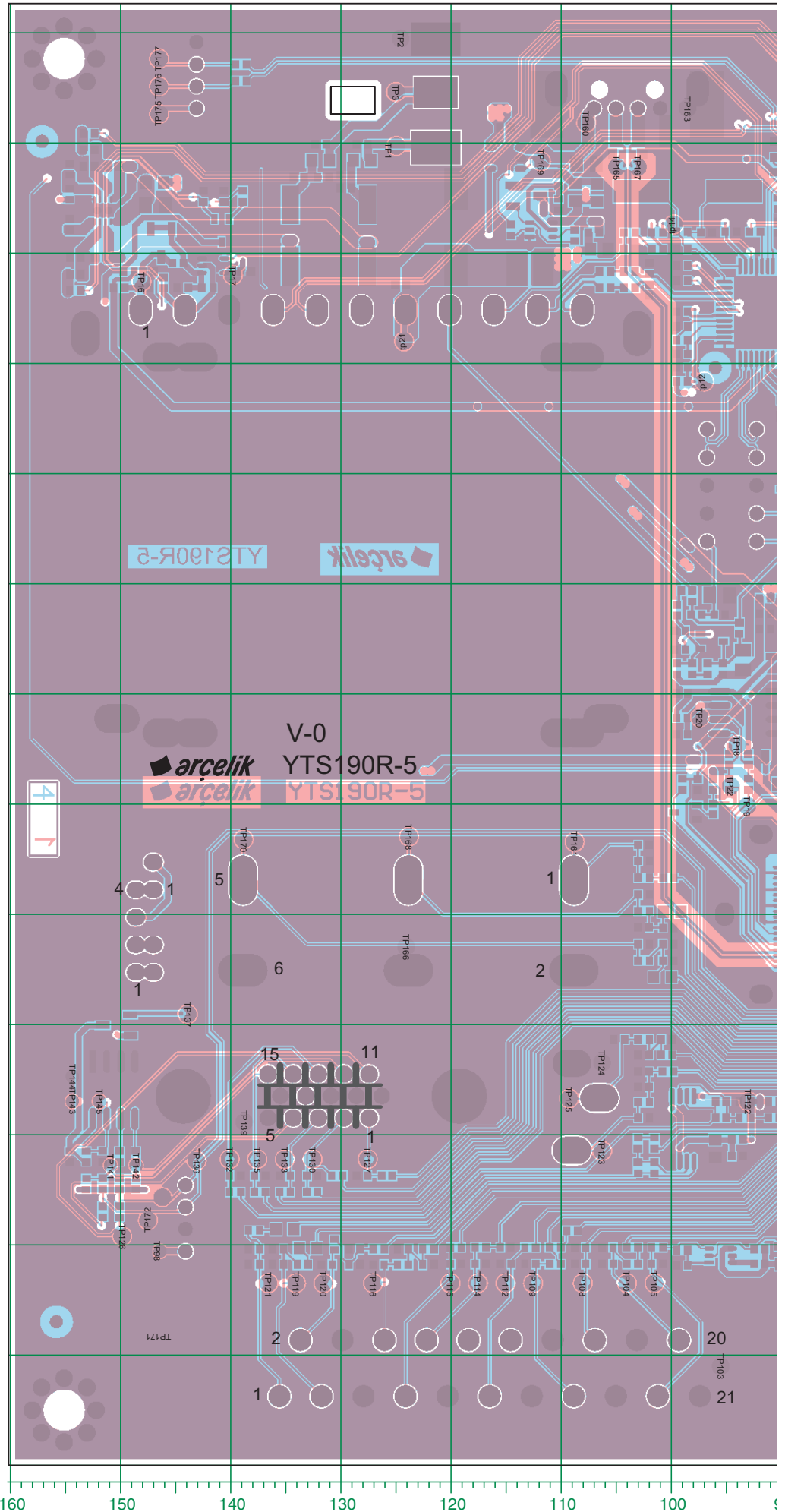
Ansicht von der Lötseite  
View of Solder Side



Chassisplatte / Chassis Board YTS190R-5

Ansicht von der Lötseite / View of Solder Side

POS.	X	Y	POS.	X	Y
TP1	B 125	120	TP96	B 34	10
TP2	B 125	129	TP97	B 33	2
TP3	B 125	124	TP98	B 146	19
TP4	B 79	2	TP99	B 89	34
TP5	B 81	3	TP100	B 61	30
TP6	B 72	4	TP101	B 21	27
TP7	B 74	6	TP102	B 26	69
tp8	B 57	126	TP103	B 96	9
tp9	B 22	114	TP104	B 104	17
tp10	B 15	116	TP105	B 102	17
tp11	B 30	33	TP108	B 108	17
tp12	B 97	98	TP109	B 113	17
TP13	B 84	99	TP112	B 115	17
tp14	B 100	113	TP114	B 118	17
tp15	B 84	102	TP115	B 120	17
TP16	B 148	107	TP116	B 127	17
TP17	B 140	108	TP119	B 134	17
TP18	B 94	65	TP120	B 132	17
TP19	B 93	60	TP121	B 137	17
TP20	B 97	68	TP122	B 93	33
tp21	B 124	102	TP123	B 106	29
TP22	B 95	62	TP124	B 106	37
TP23	B 85	67	TP125	B 109	33
TP24	B 85	70	TP126	B 150	21
TP25	B 83	76	TP127	B 128	28
tp26	B 78	85	TP130	B 133	28
TP27	B 86	77	TP132	B 140	28
tp28	B 46	93	TP133	B 135	28
tp29	B 41	92	TP135	B 138	28
TP30	B 44	89	TP136	B 143	28
TP31	B 18	93	TP137	B 144	41
TP32	B 22	91	TP139	B 139	31
TP33	B 17	88	TP141	B 151	27
TP34	B 20	93	TP142	B 149	27
TP35	B 26	89	TP143	B 154	33
TP37	B 25	86	TP144	B 154	35
TP41	B 41	90	TP145	B 152	33
TP42	B 46	84	TP146	B 6	13
TP43	B 50	87	TP147	B 9	16
TP44	B 50	89	TP148	B 6	18
TP45	B 33	83	TP152	B 6	21
TP47	B 38	32	TP153	B 14	26
TP48	B 31	68	TP154	B 6	23
TP49	B 65	78	TP155	B 3	23
TP50	B 64	56	TP157	B 4	26
TP51	B 36	68	TP158	B 8	29
TP52	B 33	62	TP159	B 63	121
TP53	B 62	50	TP160	B 108	122
TP54	B 65	74	TP161	B 109	57
TP55	B 30	61	TP163	B 99	123
TP56	B 53	81	TP165	B 105	118
TP57	B 23	64	TP166	B 124	47
TP58	B 21	62	TP167	B 103	118
TP59	B 21	64	TP168	B 124	57
TP60	B 19	62	TP169	B 112	118
TP61	B 23	66	TP170	B 139	57
TP62	B 18	65	TP171	B 146	24
TP63	B 21	66	TP172	B 147	22
TP64	B 18	67	TP173	B 57	84
TP65	B 33	71	TP174	B 27	54
TP66	B 23	69	TP175	B 146	123
TP67	B 31	72	TP176	B 146	125
TP68	B 21	69	TP177	B 146	128
TP69	B 23	71			
TP70	B 21	71			
TP71	B 11	74			
TP72	B 23	73			
TP73	B 21	73			
TP74	B 23	75			
TP75	B 21	75			
TP76	B 23	77			
TP77	B 7	56			
TP78	B 21	77			
TP79	B 27	80			
TP80	B 25	80			
TP81	B 21	80			
TP82	B 21	82			
TP83	B 15	84			
TP84	B 26	22			
TP85	B 58	20			
TP86	B 27	31			
TP87	B 37	20			
TP88	B 15	52			
TP89	B 79	67			
TP90	B 18	50			
TP91	B 45	4			
TP92	B 43	7			
TP93	B 14	104			
TP94	B 40	7			
TP95	B 40	4			

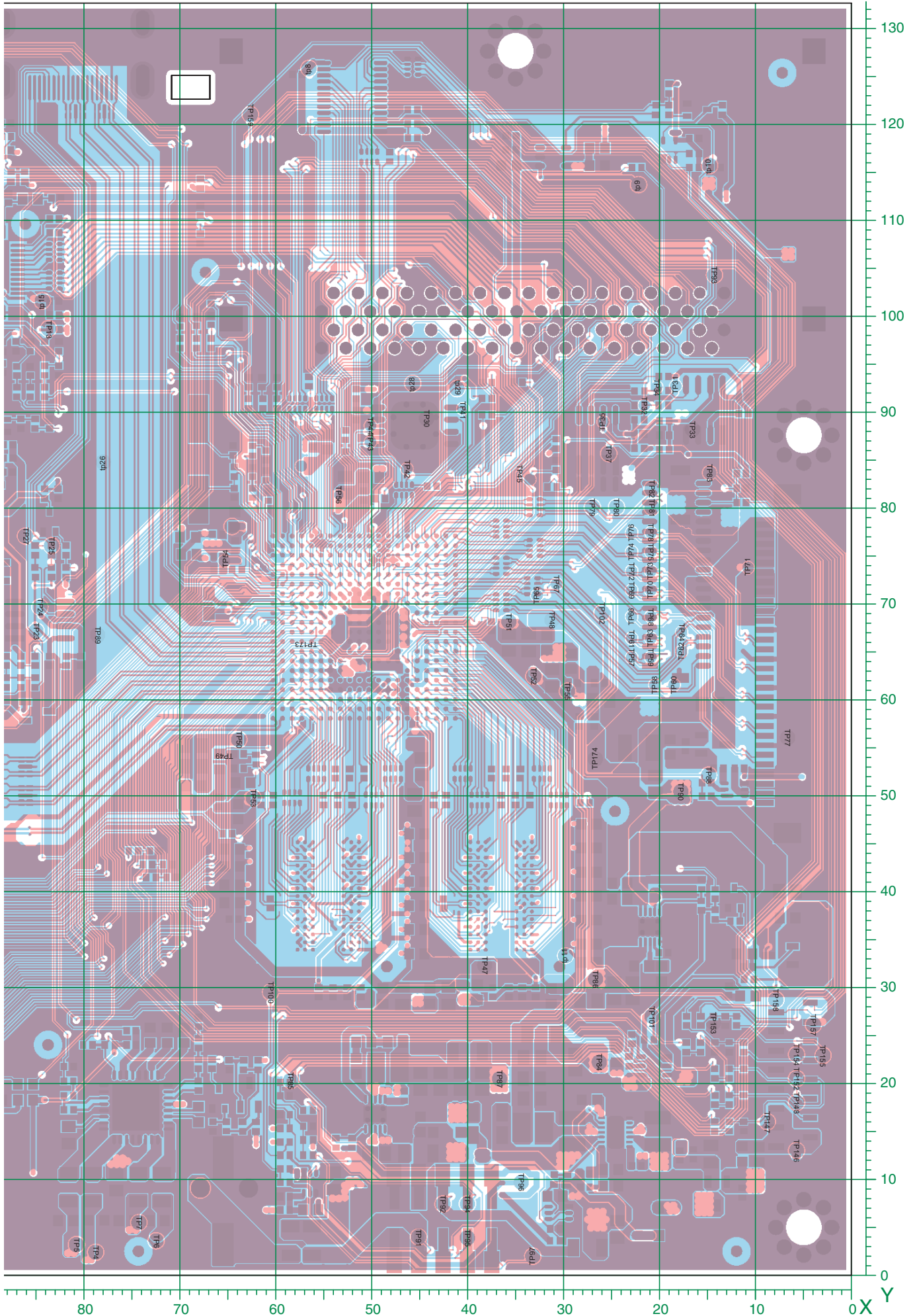


T: Bestückungsseite / Component Side  
 B: Lötseite / Solder Side

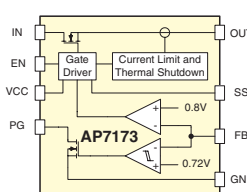
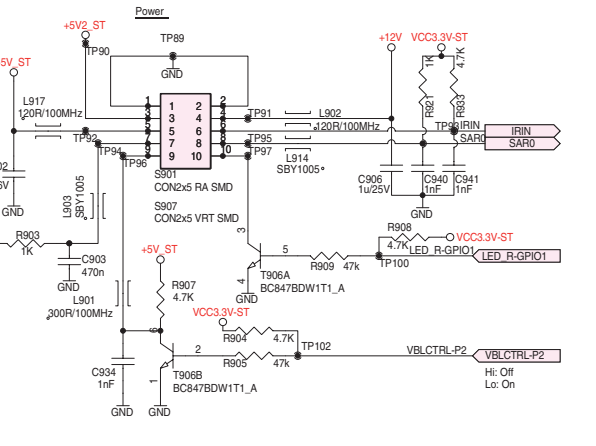
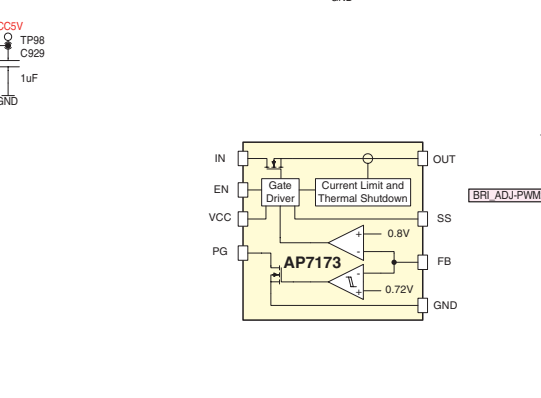
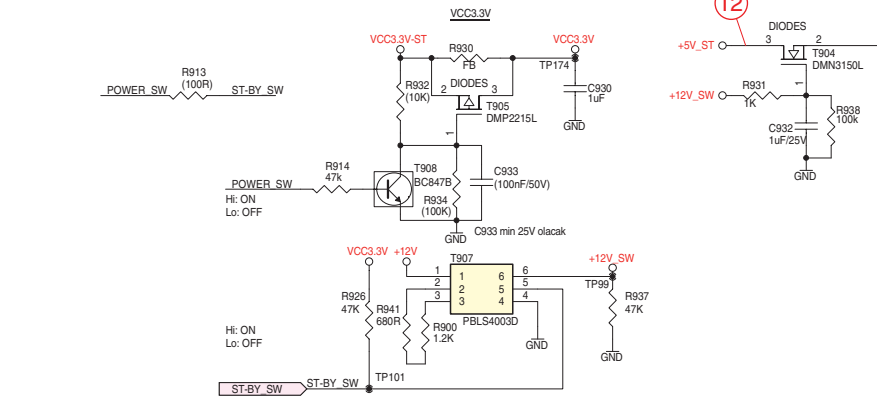
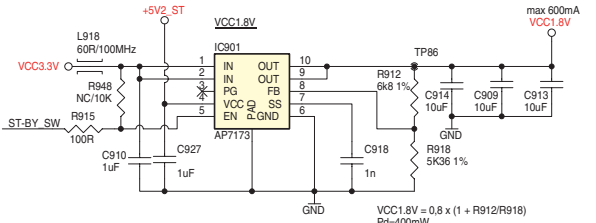
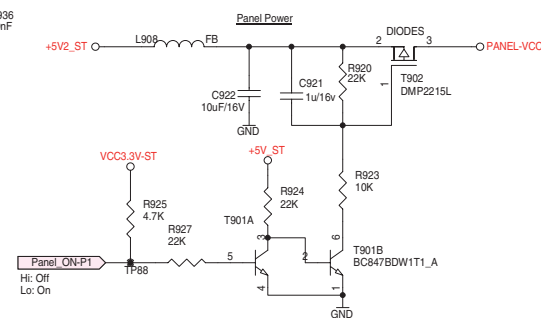
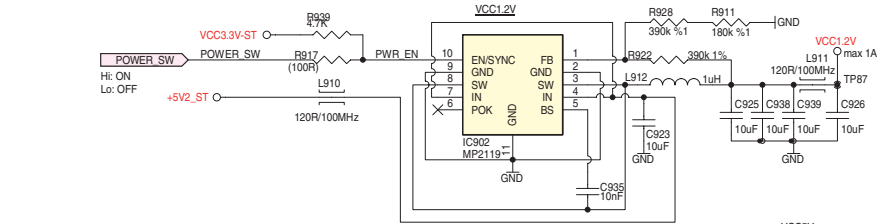
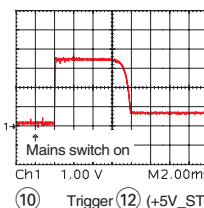
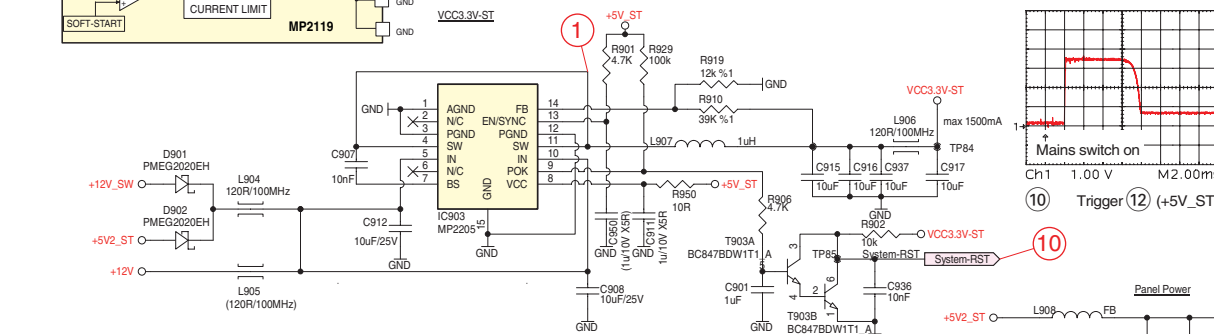
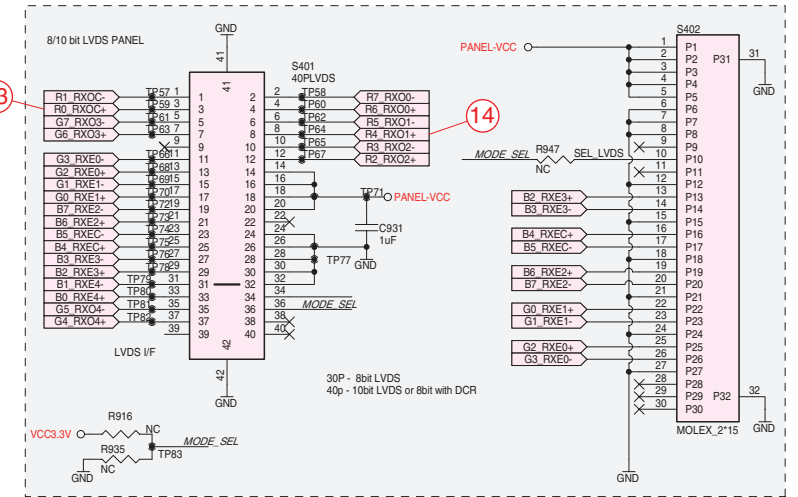
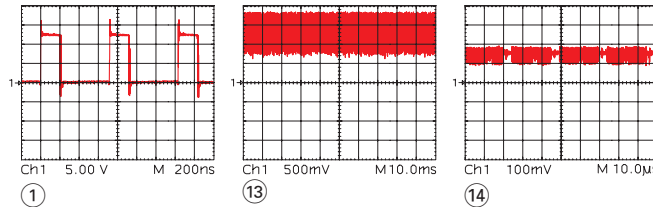
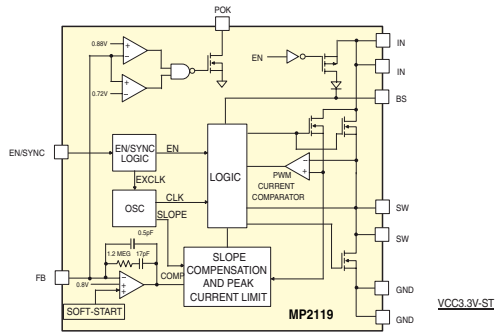


Chassisplatte / Chassis Board YTS190R-5

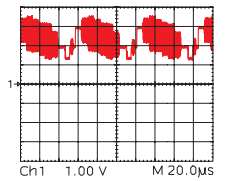
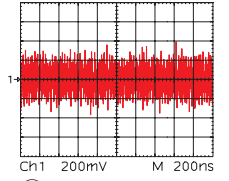
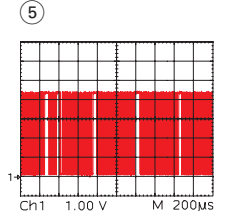
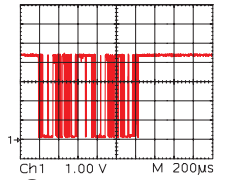
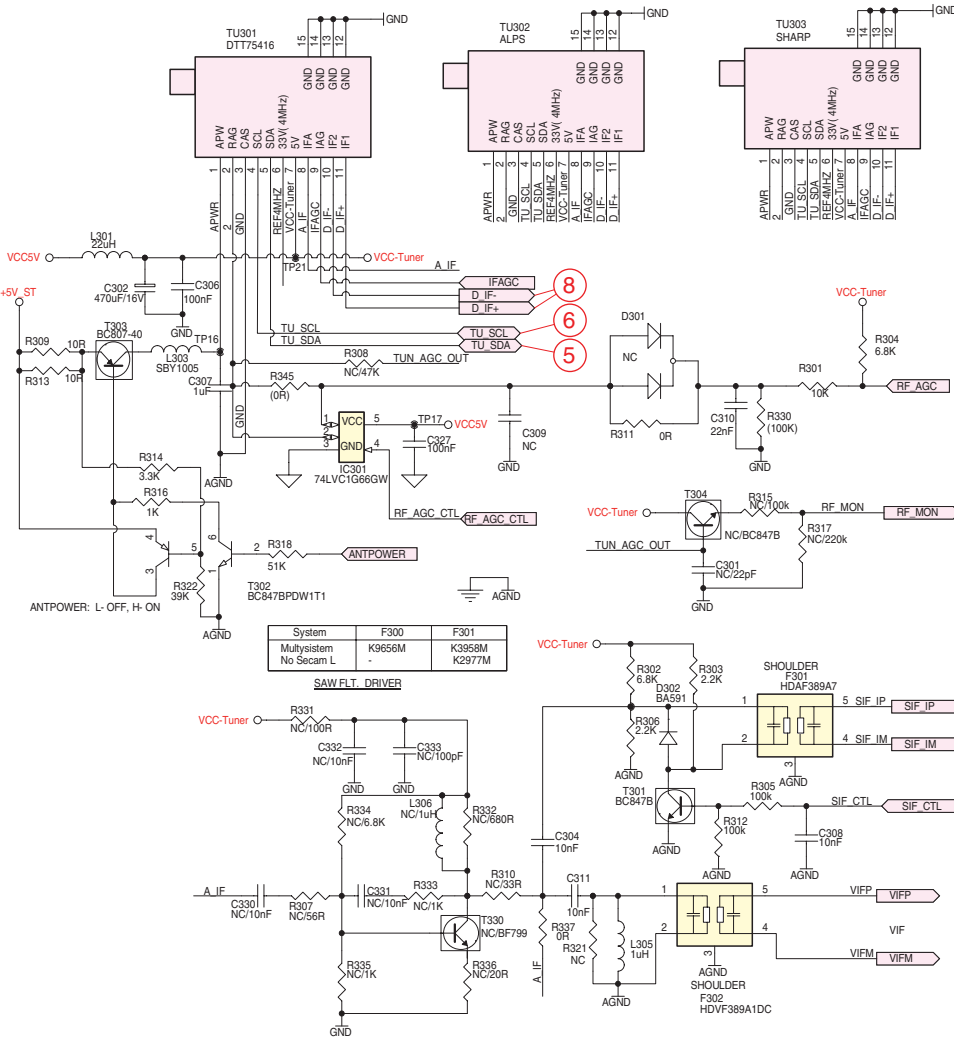
Ansicht von der Lötseite / View of Solder Side



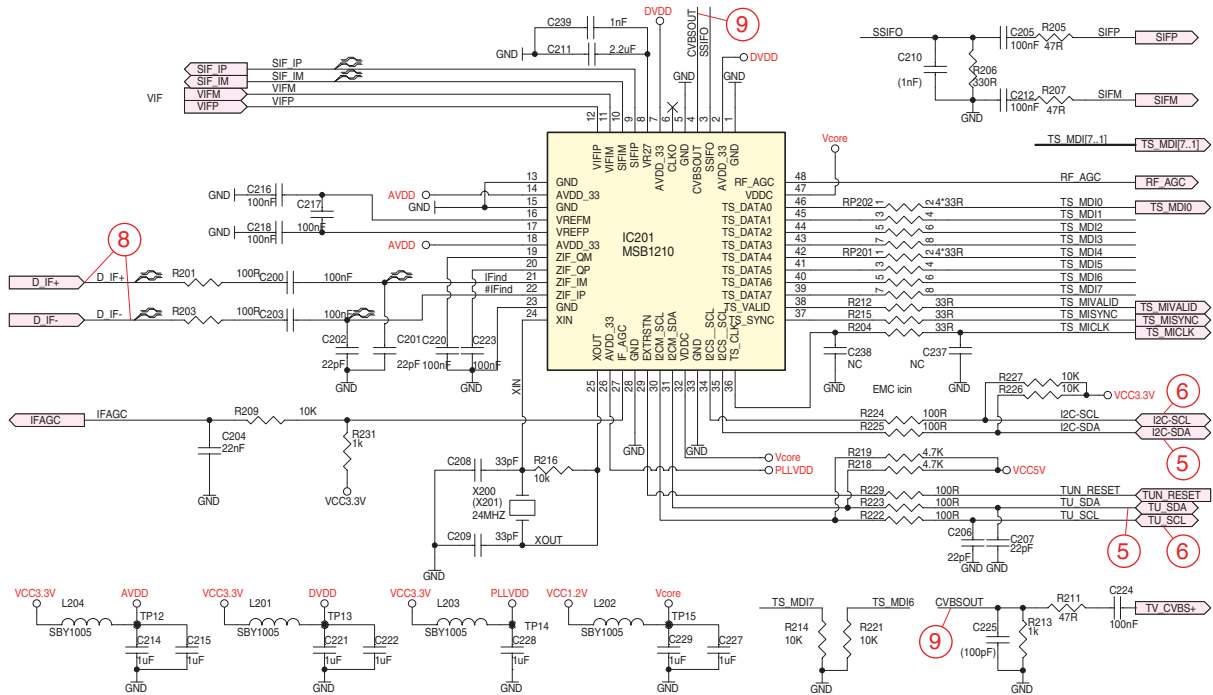
# Chassisplatte – Netzteil/LVDS / Chassis Board – Power Supply/LVDS YTS190R-5



### Chassisplatte / Chassis Board – Tuner YTS190R-5

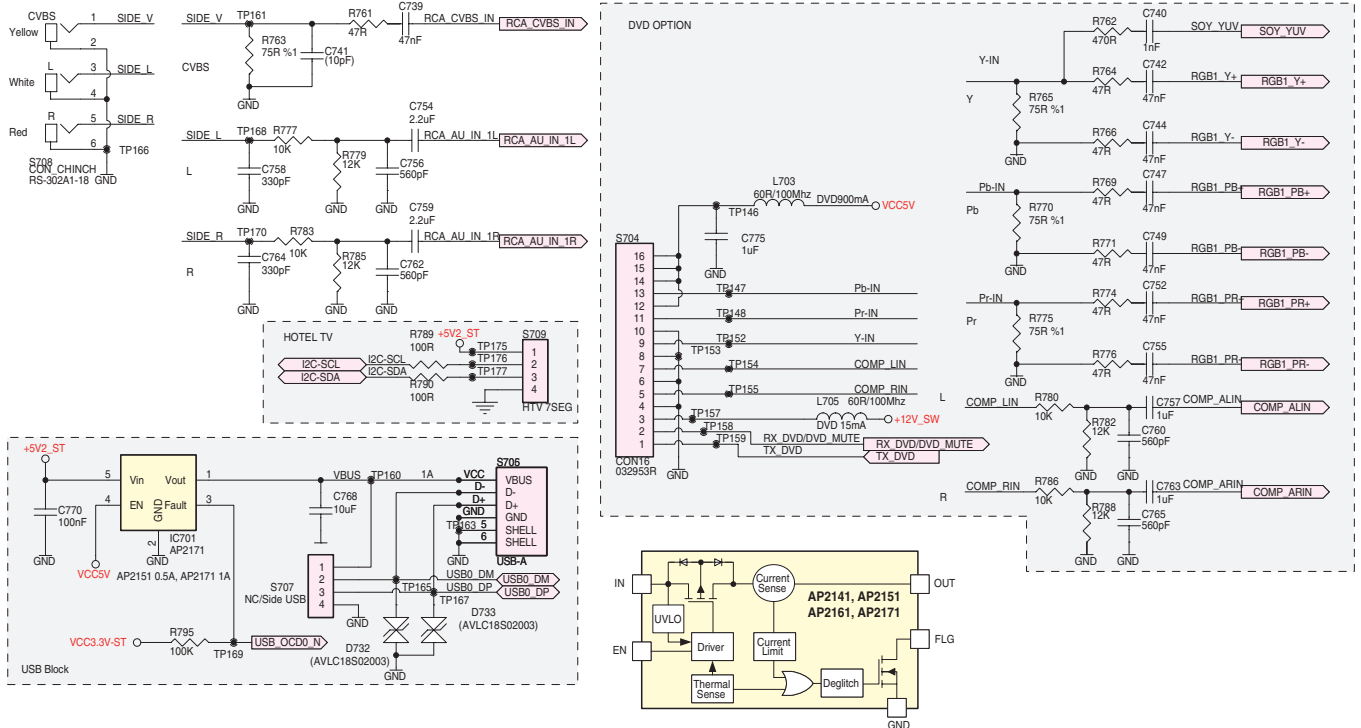


### Chassisplatte / Chassis Board – COFDM Demodulator YTS190R-5

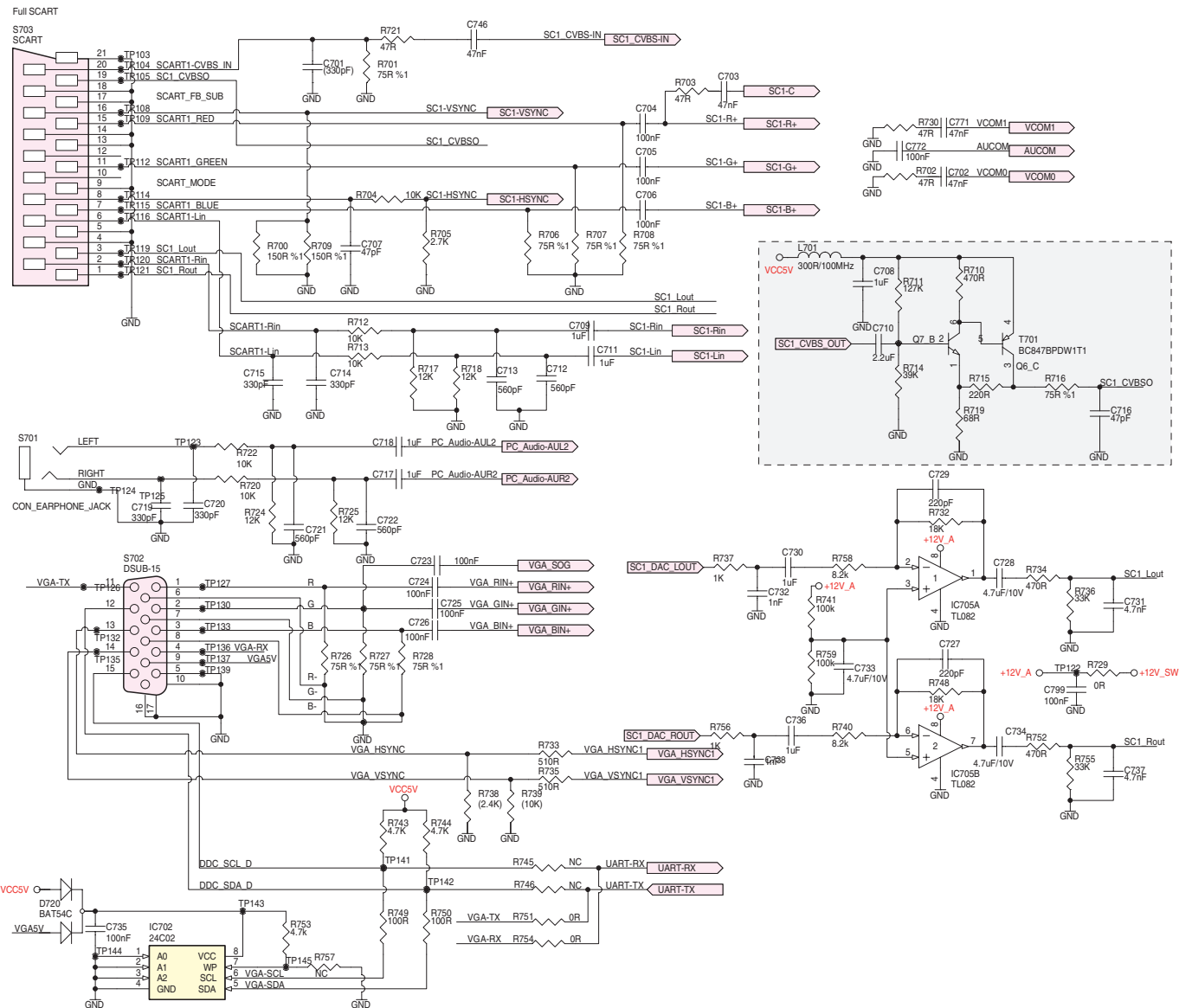




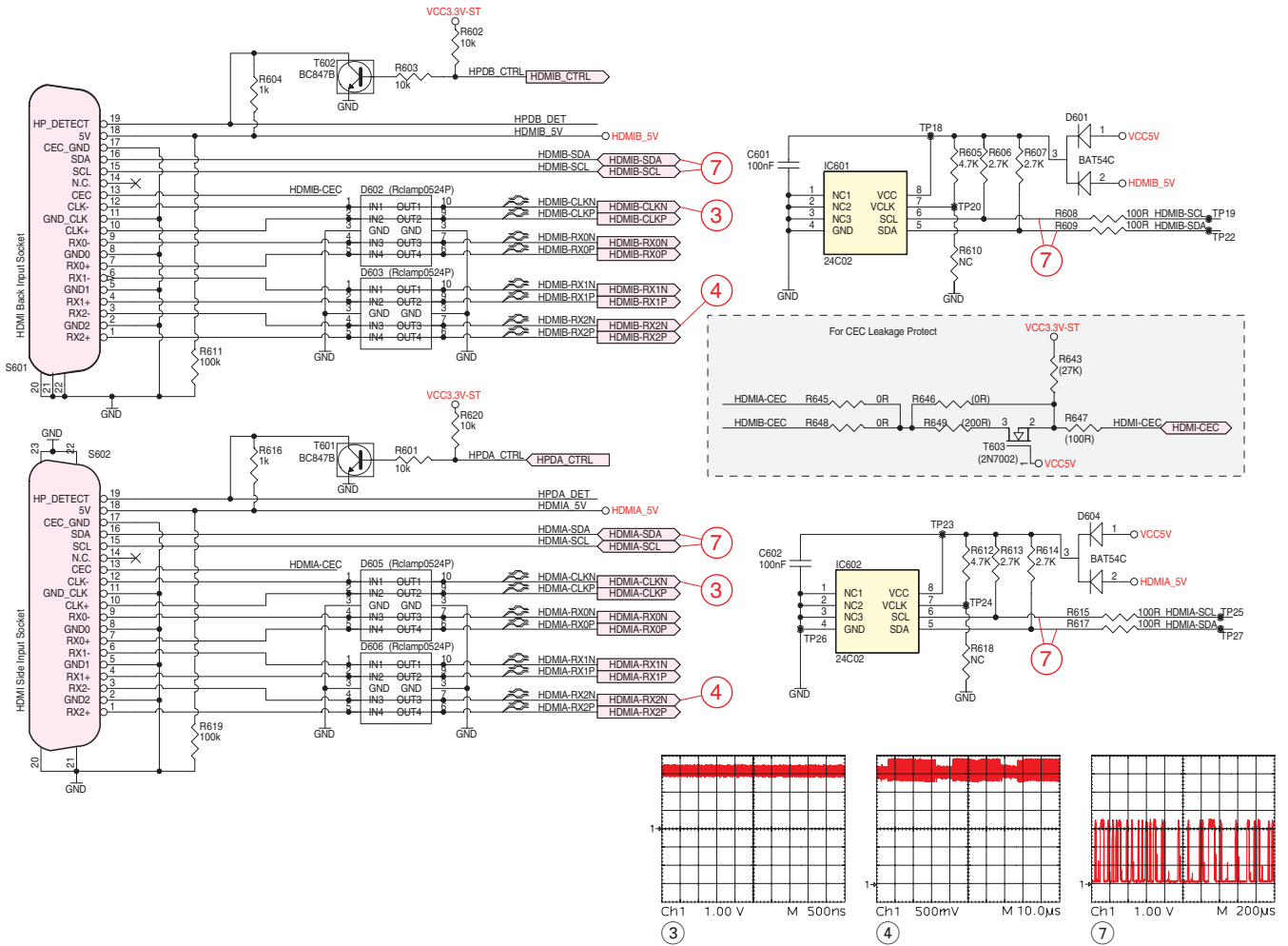
### Chassisplatte / Chassis Board – Interface DVD, AV, Hotel, USB YTS190R-5



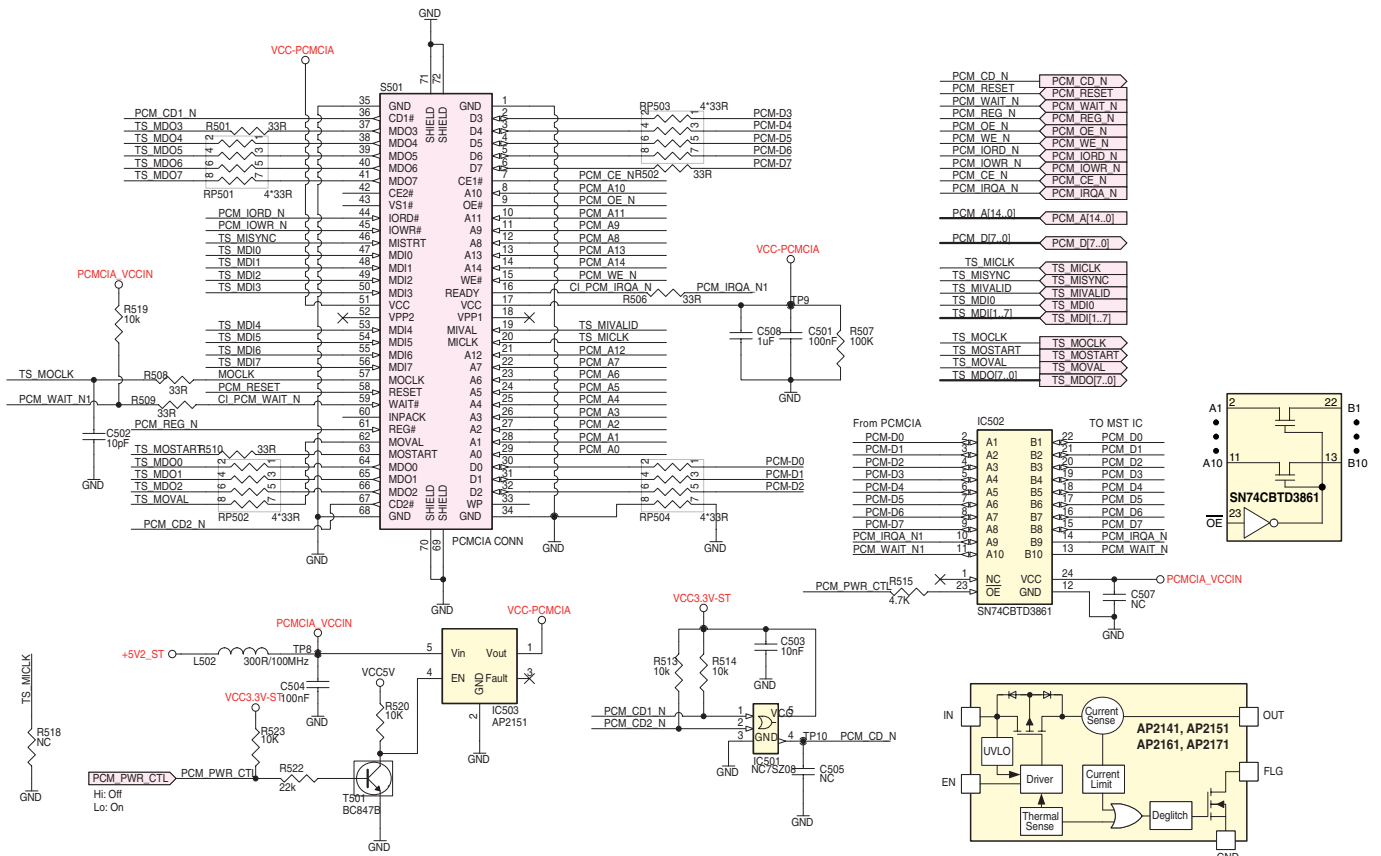
### Chassisplatte / Chassis Board – SCART, VGA YTS190R-5



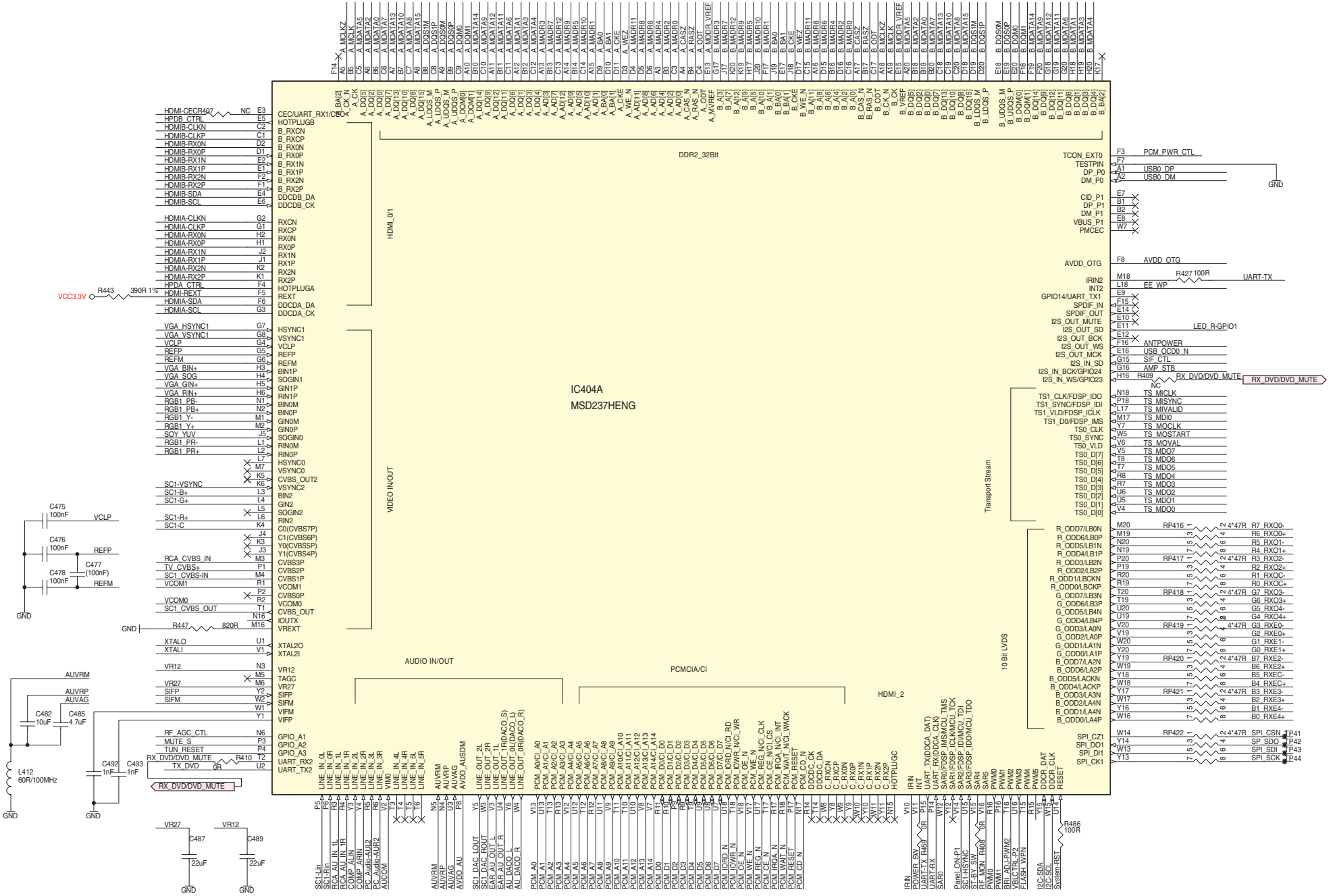
### Chassisplatte / Chassis Board – HDMI YTS190R-5



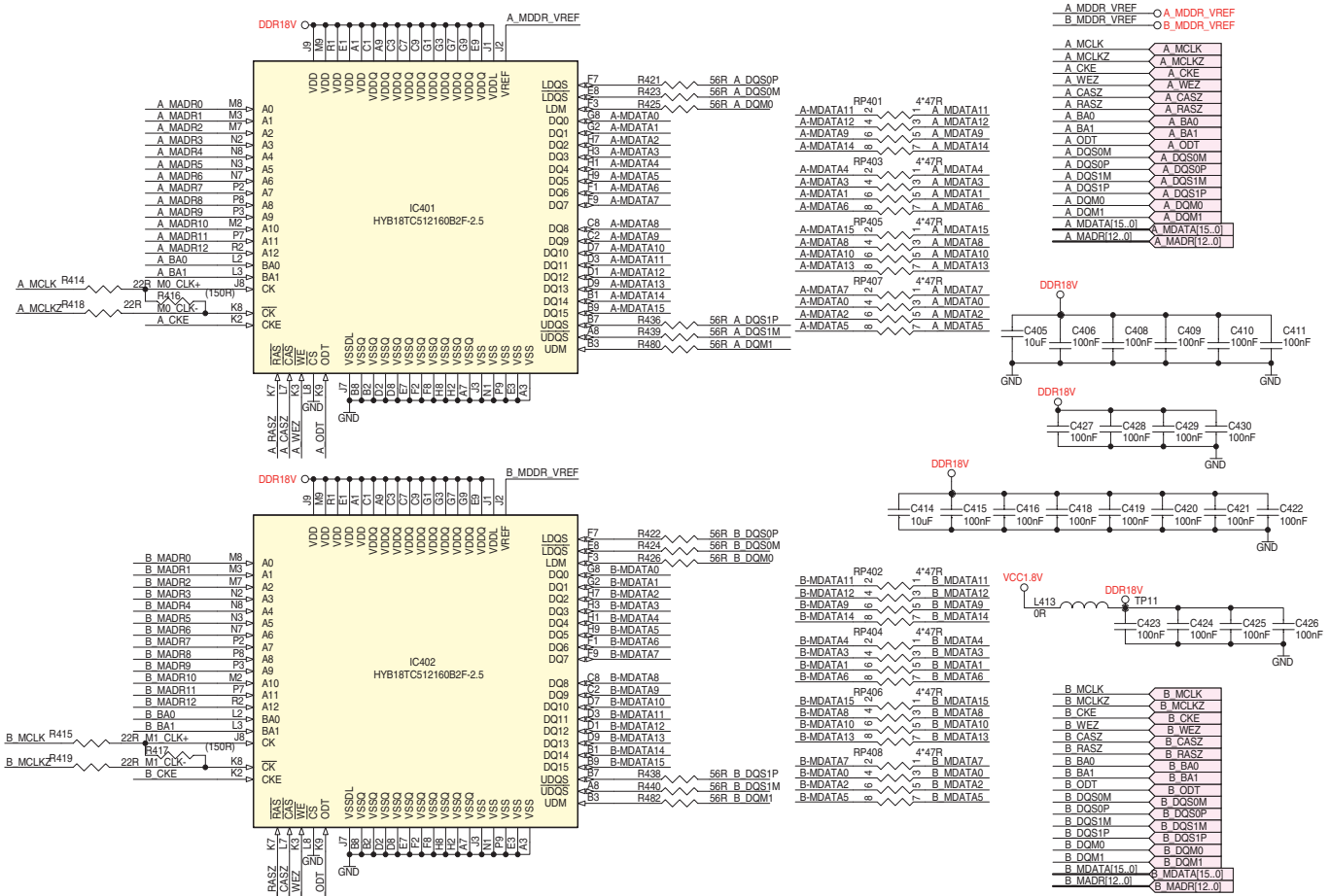
### Chassisplatte / Chassis Board – Common Interface YTS190R-5



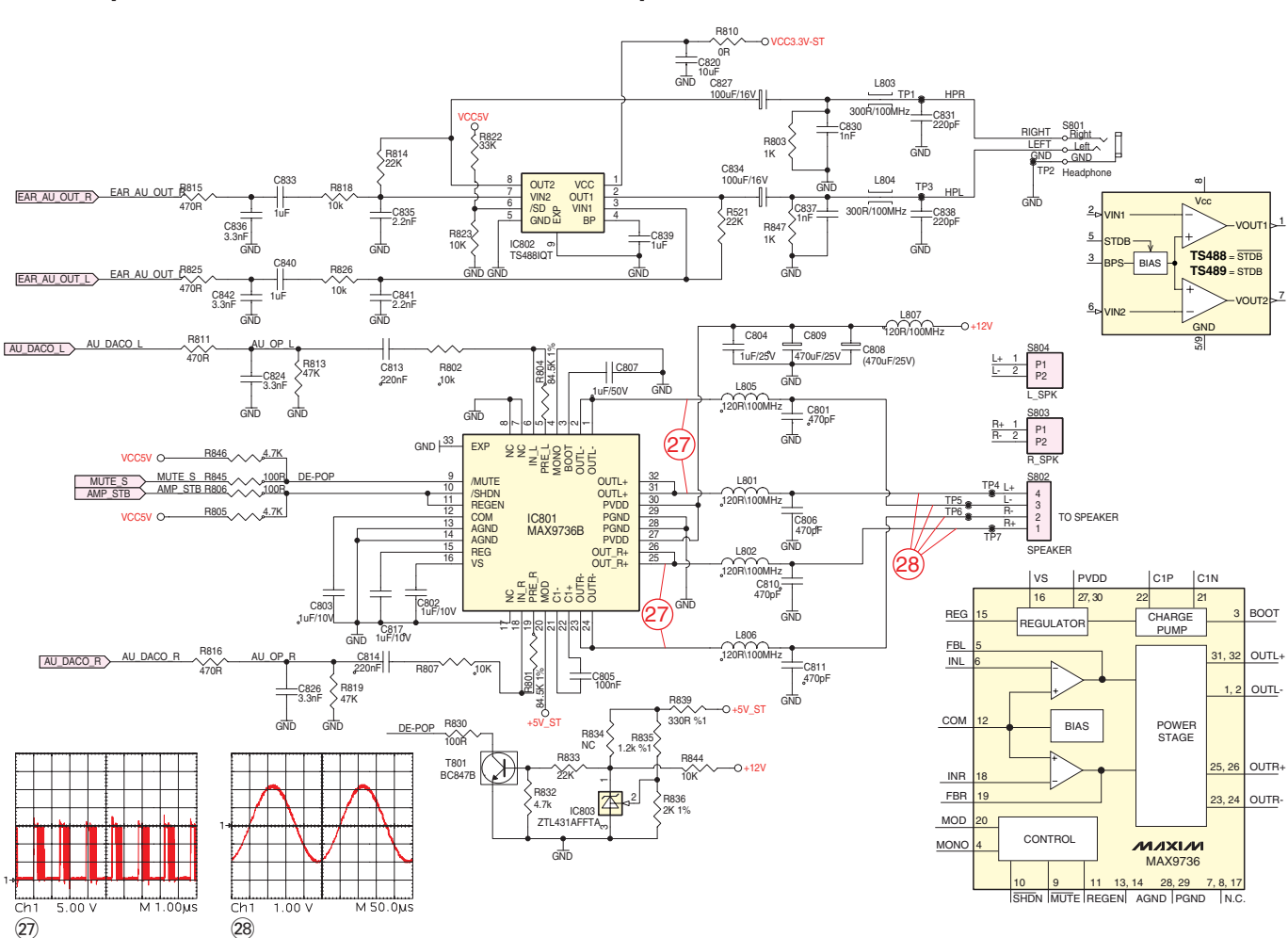




### Chassisplatte / Chassis Board – Scaler RAM YTS190R-5



### Chassisplatte – Verstärker / Chassis Board – Amplifier YTS190R-5



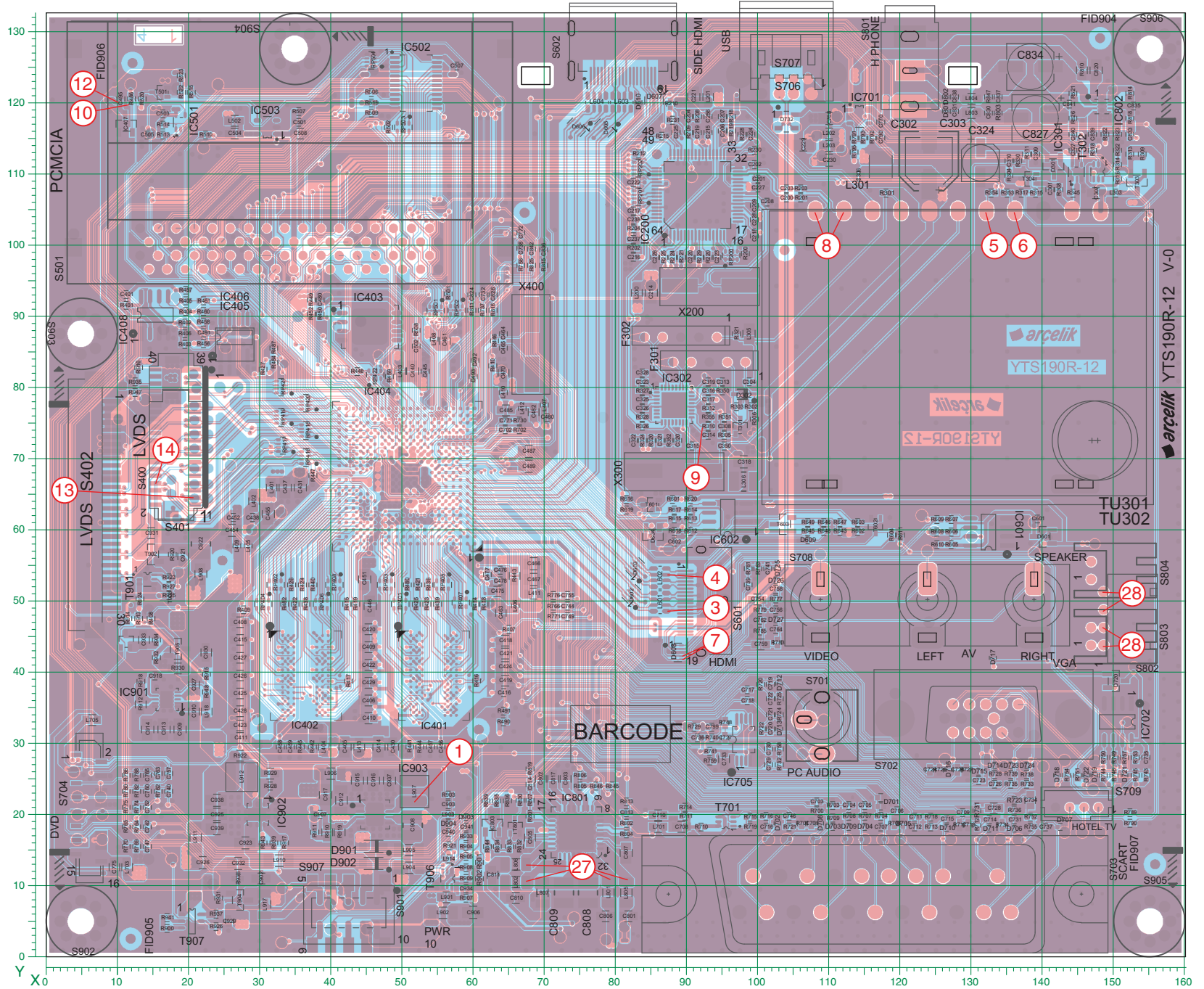




Chassisplatte / Chassis Board

YTS190R-12

Ansicht von der Bestückungsseite  
View of Component Side

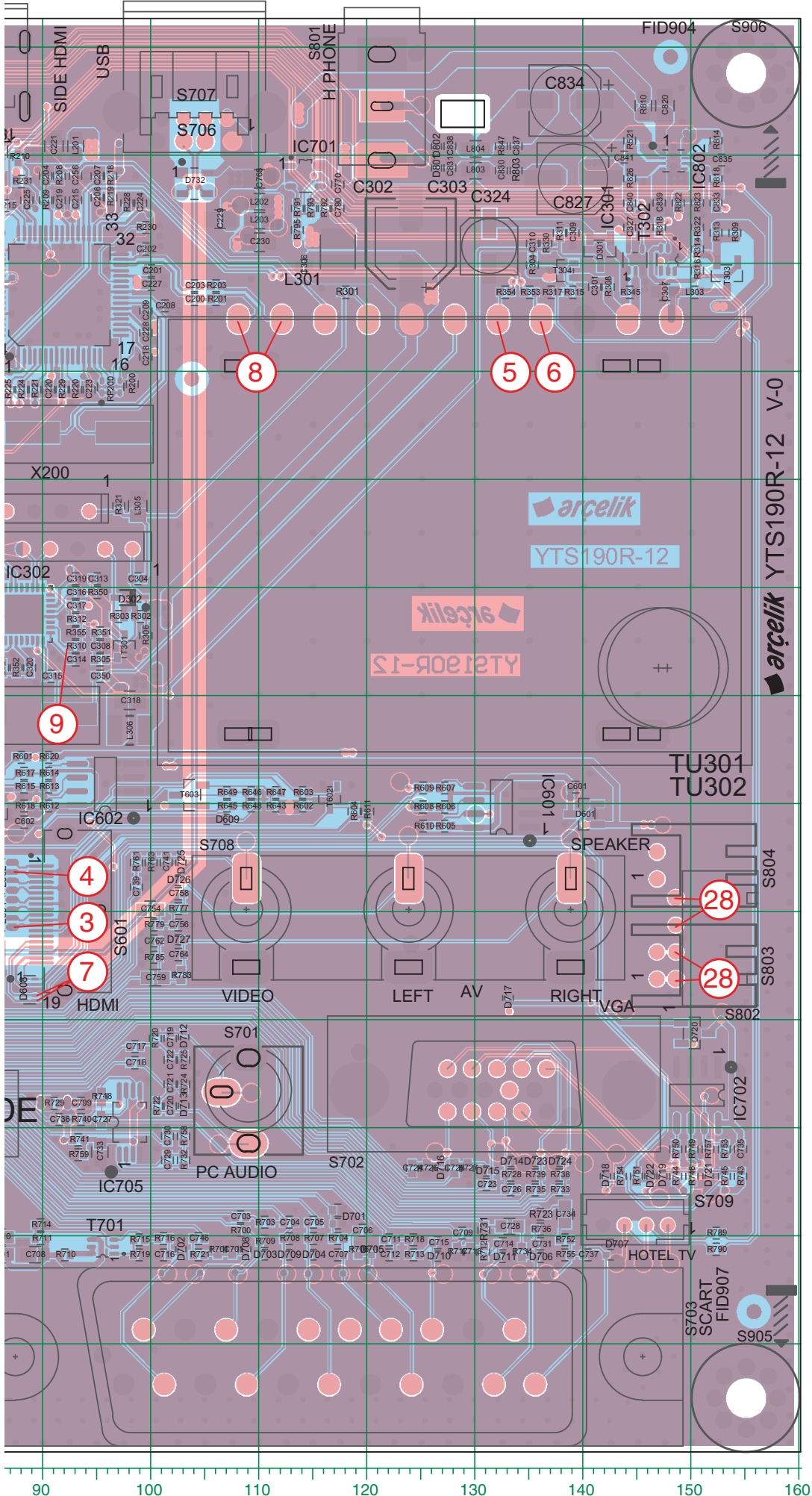




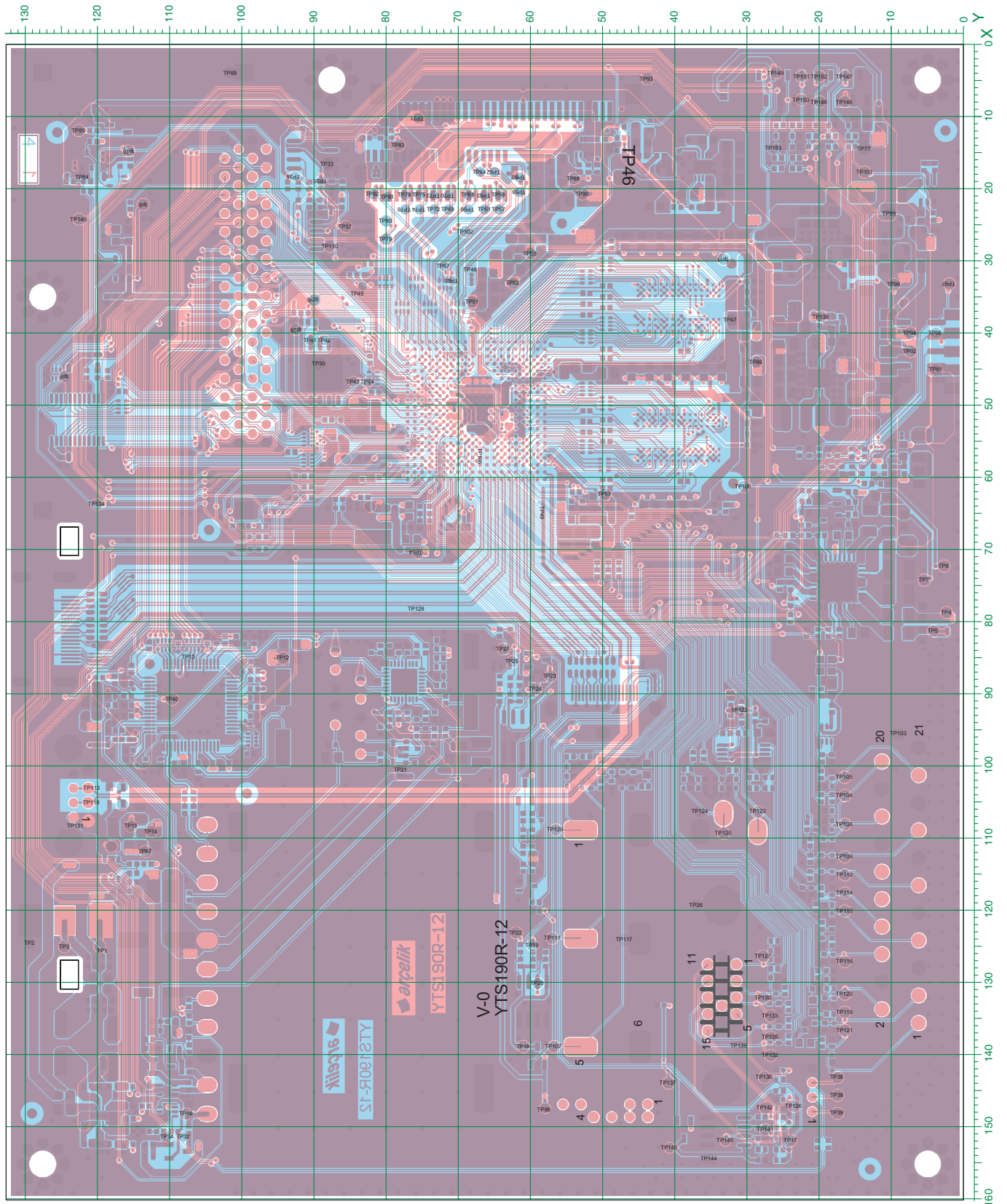


Chassisplatte / Chassis Board YTS190R-12

Ansicht von der Bestückungsseite / View of Component Side





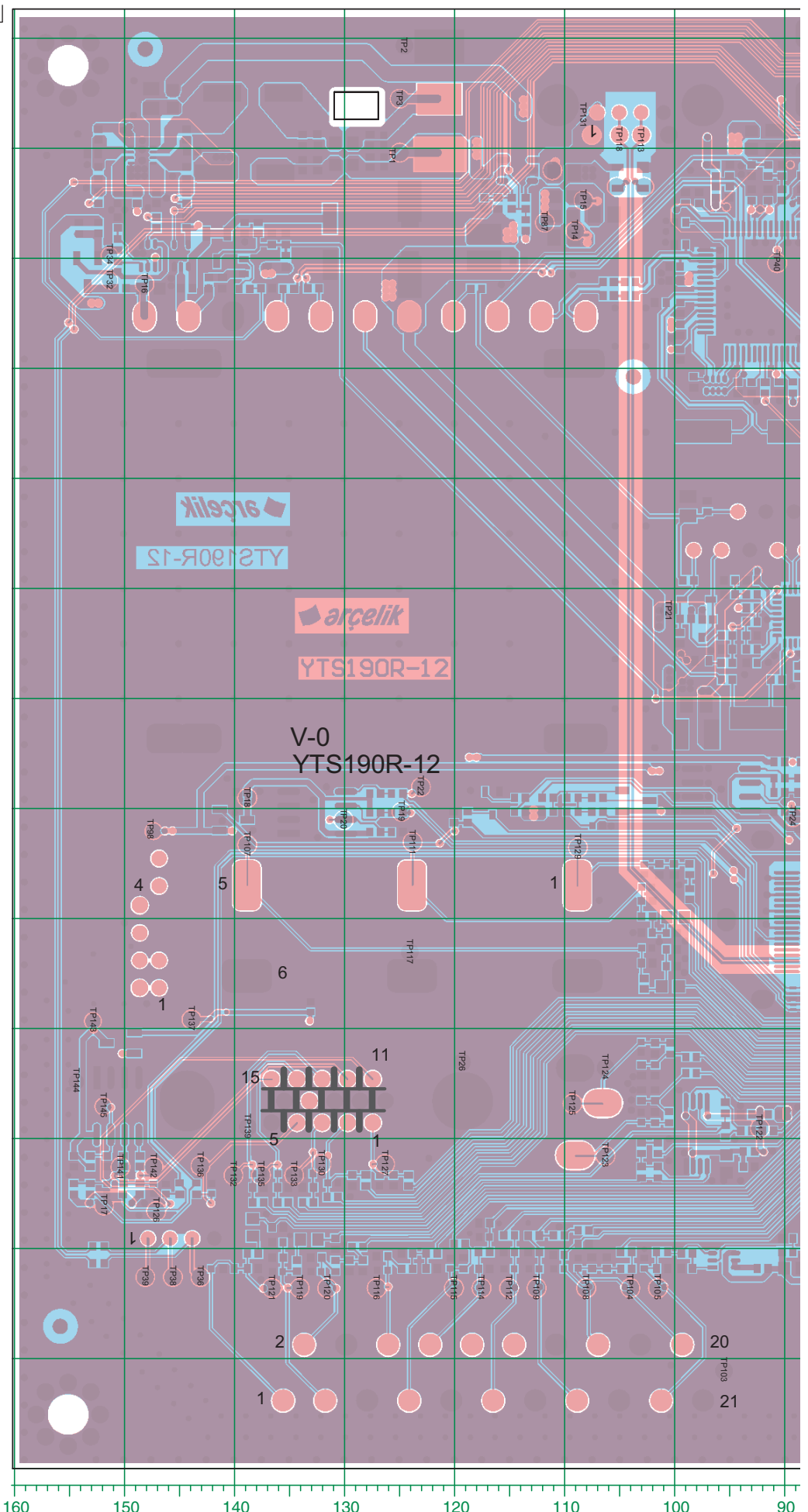


Chassisplatte / Chassis Board  
YTS190R-12  
Ansicht von der Bestückungsseite  
View of Component Side

Chassisplatte / Chassis Board YTS190R-12

Ansicht von der Lötseite / View of Solder Side

POS.	X	Y	POS.	X	Y
TP1	B 125	120	TP83	B 14	78
TP2	B 125	129	TP84	B 19	122
TP3	B 125	124	TP85	B 12	123
TP4	B 79	2	TP86	B 44	29
TP5	B 81	4	TP87	B 112	113
TP6	B 72	3	TP88	B 19	54
TP7	B 74	6	TP89	B 4	102
tp8	B 46	125	TP90	B 21	53
tp9	B 22	114	TP91	B 45	4
TP10	B 15	116	TP92	B 43	7
tp11	B 30	33	TP93	B 5	44
TP12	B 85	94	TP94	B 40	7
TP13	B 85	107	TP95	B 40	4
TP14	B 109	113	TP96	B 33	10
TP15	B 108	115	TP97	B 33	2
TP16	B 148	108	TP98	B 147	58
TP17	B 152	24	TP99	B 24	10
TP18	B 139	61	TP100	B 61	31
TP19	B 125	60	TP101	B 18	14
TP20	B 130	59	TP102	B 26	69
TP21	B 101	78	TP103	B 96	9
TP22	B 123	62	TP104	B 104	17
TP23	B 88	57	TP105	B 102	17
TP24	B 89	59	TP106	B 58	86
TP25	B 86	63	TP107	B 139	57
TP26	B 119	37	TP108	B 108	17
TP27	B 84	64	TP109	B 113	17
tp28	B 40	93	TP110	B 28	88
tp29	B 35	90	TP111	B 124	57
TP30	B 44	89	TP112	B 115	17
TP31	B 18	93	TP113	B 103	117
TP32	B 151	108	TP114	B 118	17
TP33	B 17	88	TP115	B 120	17
TP34	B 151	110	TP116	B 127	17
TP35	B 19	89	TP117	B 124	47
TP36	B 143	18	TP118	B 105	117
TP37	B 25	86	TP119	B 134	17
TP38	B 146	18	TP120	B 132	17
TP39	B 148	18	TP121	B 137	17
TP40	B 91	110	TP122	B 92	31
TP41	B 41	91	TP123	B 106	29
TP42	B 41	89	TP124	B 106	37
TP43	B 47	85	TP125	B 109	33
TP44	B 47	83	TP126	B 147	24
TP45	B 34	83	TP127	B 126	28
TP46	B 15	49	TP128	B 78	76
TP47	B 38	32	TP129	B 109	57
TP48	B 31	68	TP130	B 132	28
TP49	B 64	82	TP131	B 111	118
TP51	B 36	68	TP132	B 140	27
TP52	B 33	62	TP133	B 135	27
TP53	B 62	50	TP134	B 64	120
TP54	B 71	76	TP135	B 138	27
TP55	B 29	60	TP136	B 143	28
TP57	B 23	64	TP137	B 144	41
TP58	B 21	62	TP138	B 38	20
TP59	B 21	64	TP139	B 139	31
TP60	B 19	62	TP140	B 24	123
TP61	B 23	66	TP141	B 150	28
TP62	B 18	65	TP142	B 147	28
TP63	B 21	66	TP143	B 153	41
TP64	B 18	67	TP144	B 154	35
TP65	B 33	71	TP145	B 152	33
TP66	B 23	69	TP146	B 8	17
TP67	B 31	72	TP147	B 5	17
TP68	B 21	69	TP148	B 8	20
TP69	B 23	71	TP149	B 4	26
TP70	B 21	71	TP150	B 8	23
TP71	B 10	76	TP151	B 5	23
TP72	B 23	73	TP152	B 5	20
TP73	B 21	73	TP153	B 14	26
TP74	B 23	75			
TP75	B 21	75			
TP76	B 23	77			
TP77	B 15	14			
TP78	B 21	77			
TP79	B 27	80			
TP80	B 25	80			
TP81	B 21	80			
TP82	B 21	82			

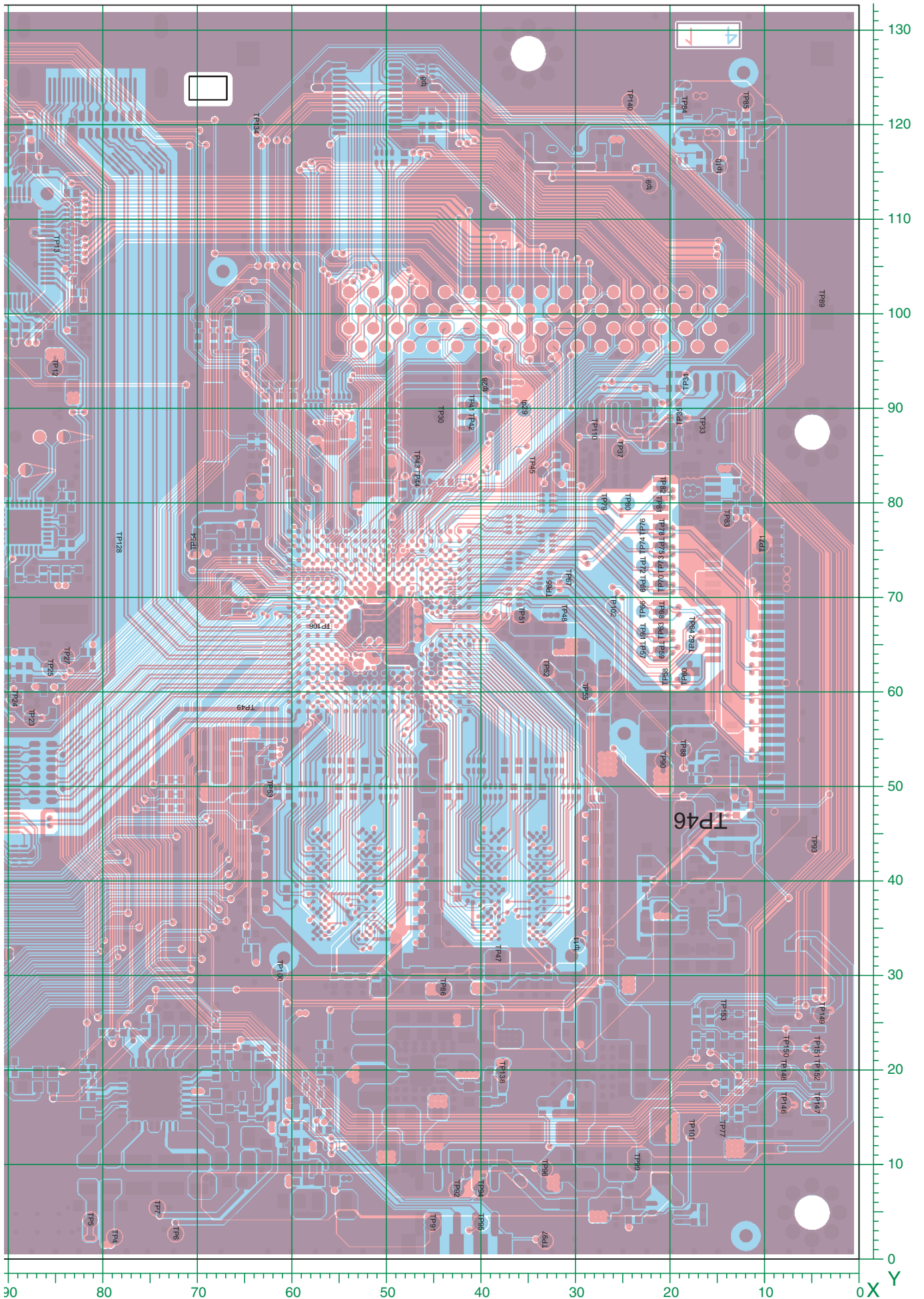


T: Bestückungsseite / Component Side  
 B: Lötseite / Solder Side

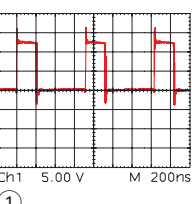
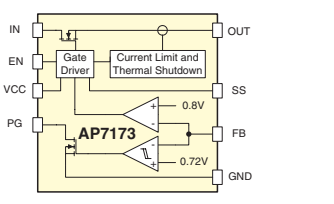
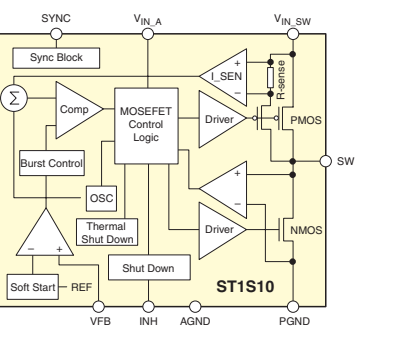
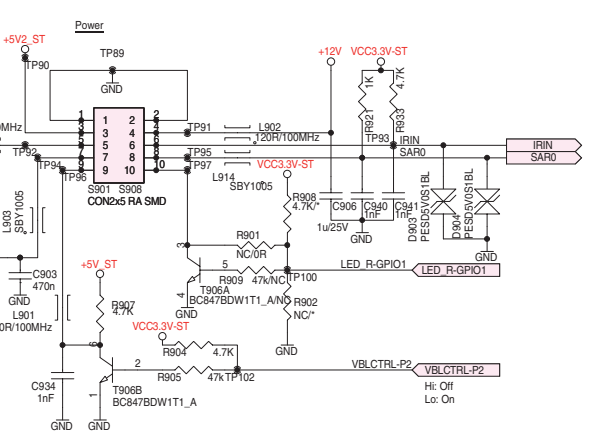
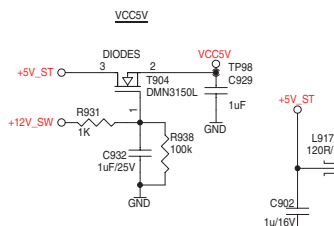
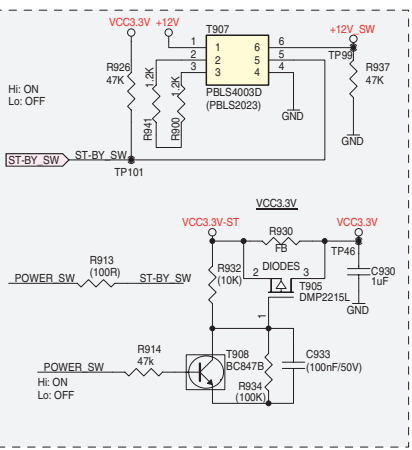
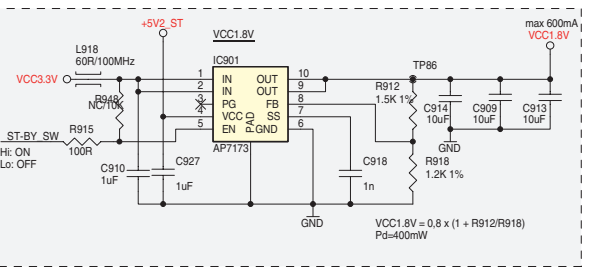
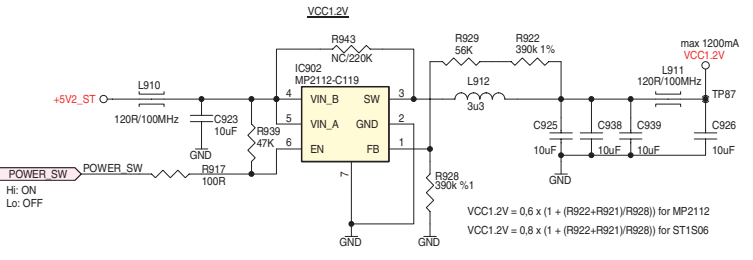
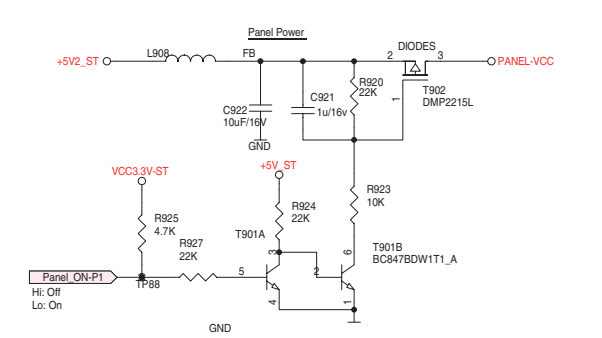
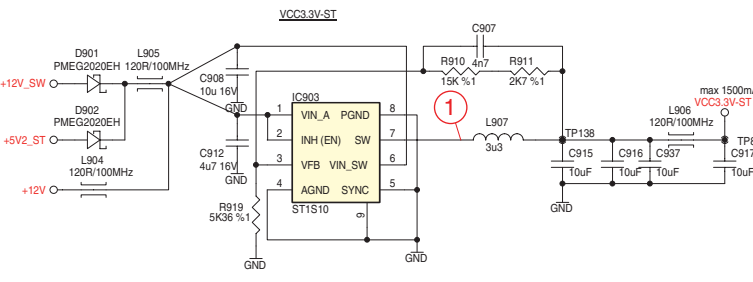
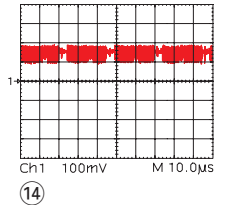
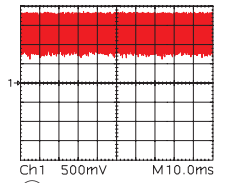
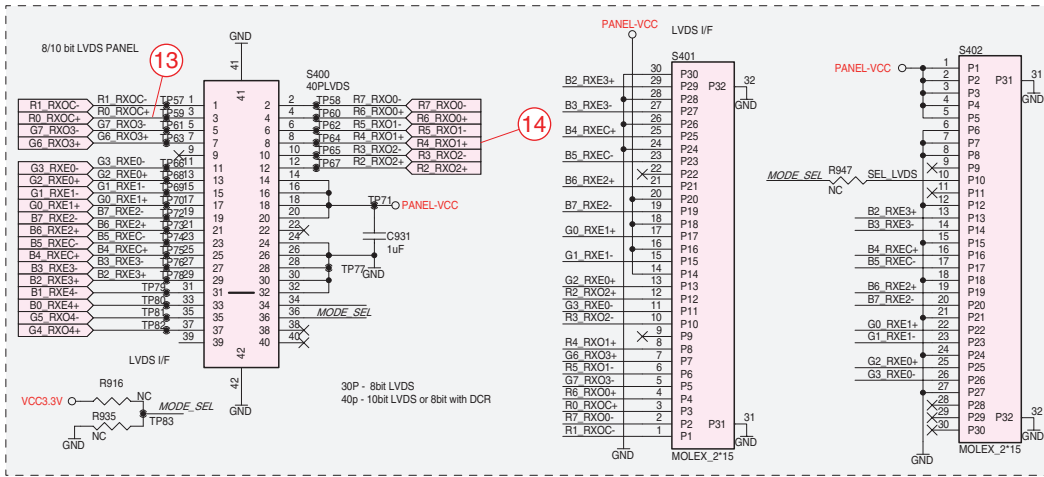


Chassisplatte / Chassis Board YTS190R-12

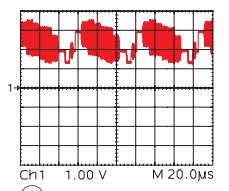
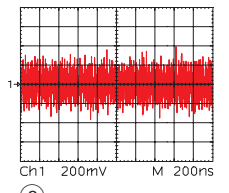
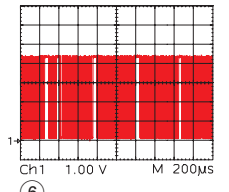
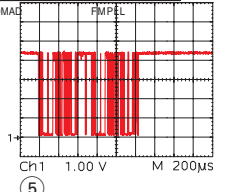
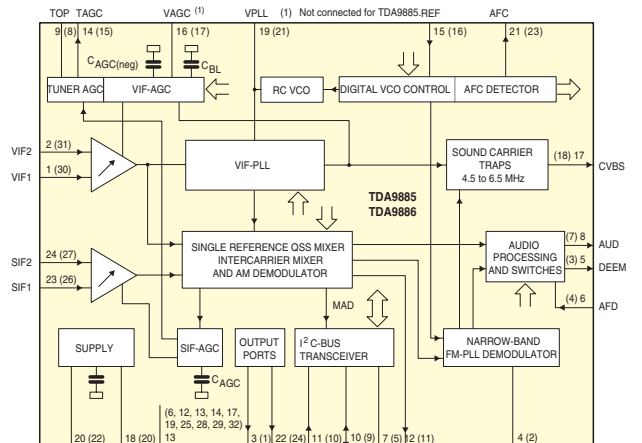
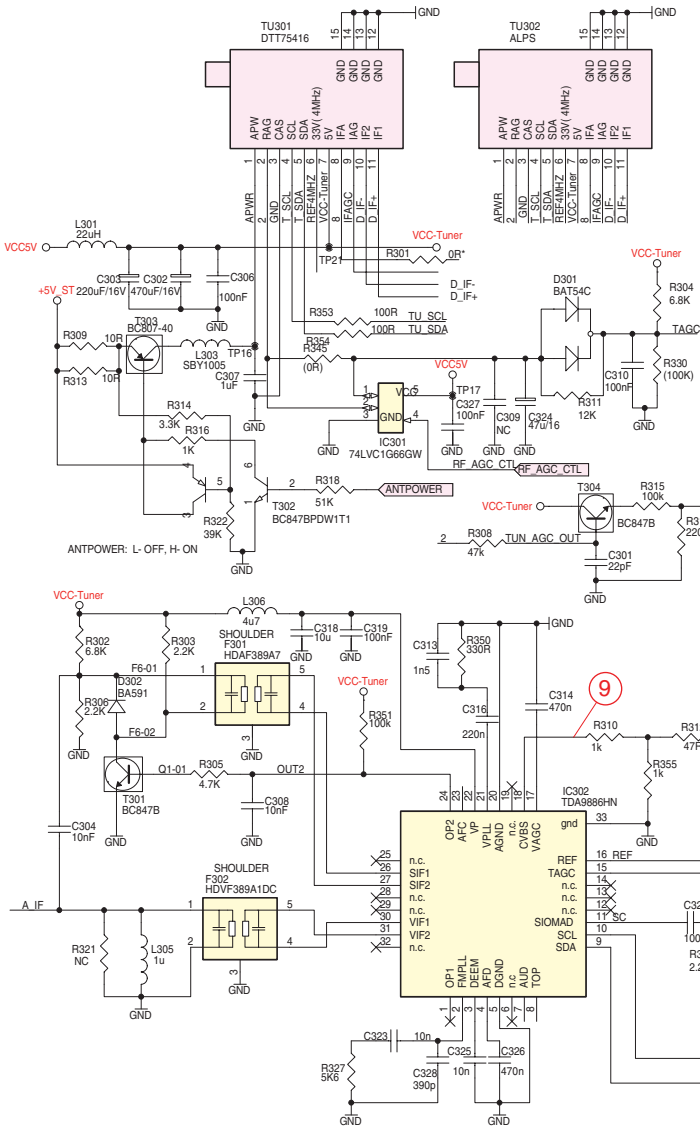
Ansicht von der Lötseite / View of Solder Side



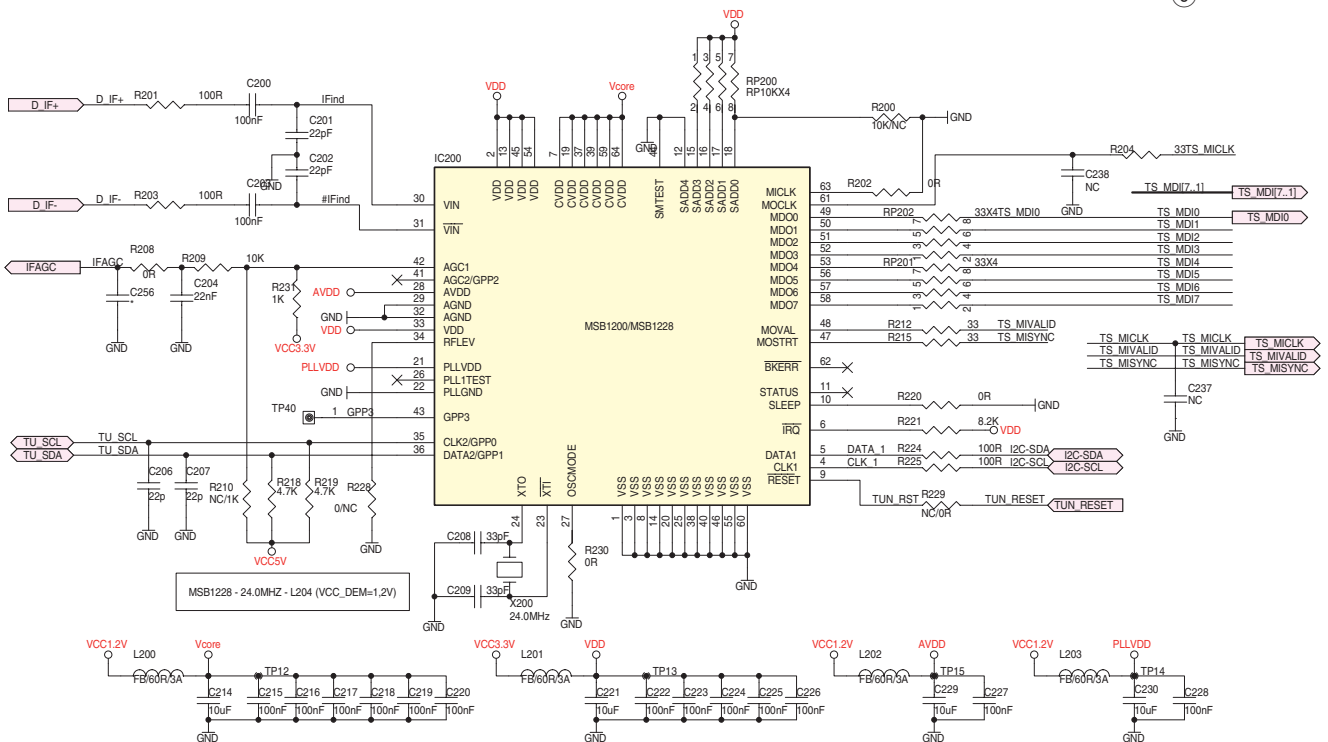
# Chassisplatte – Netzteil/LVDS / Chassis Board – Power Supply/LVDS YTS190R-12



### Chassisplatte / Chassis Board – Tuner YTS190R-12

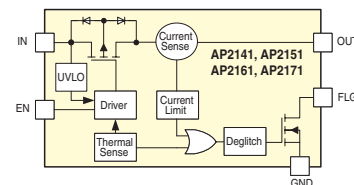
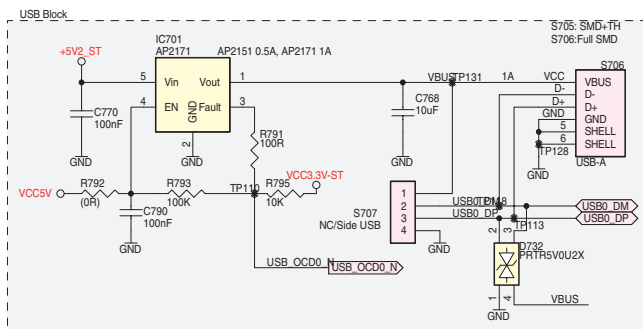
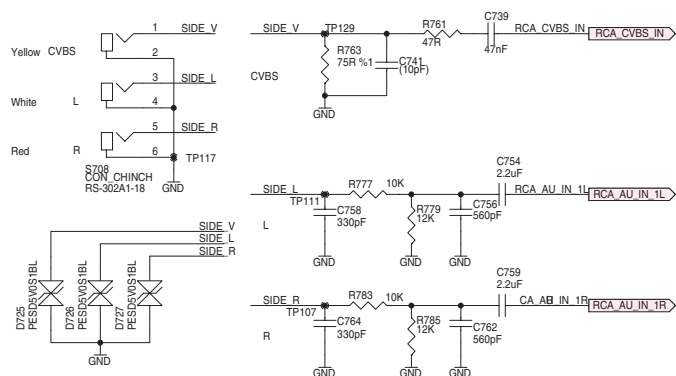
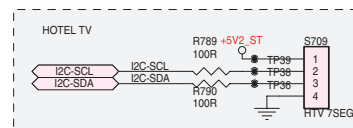
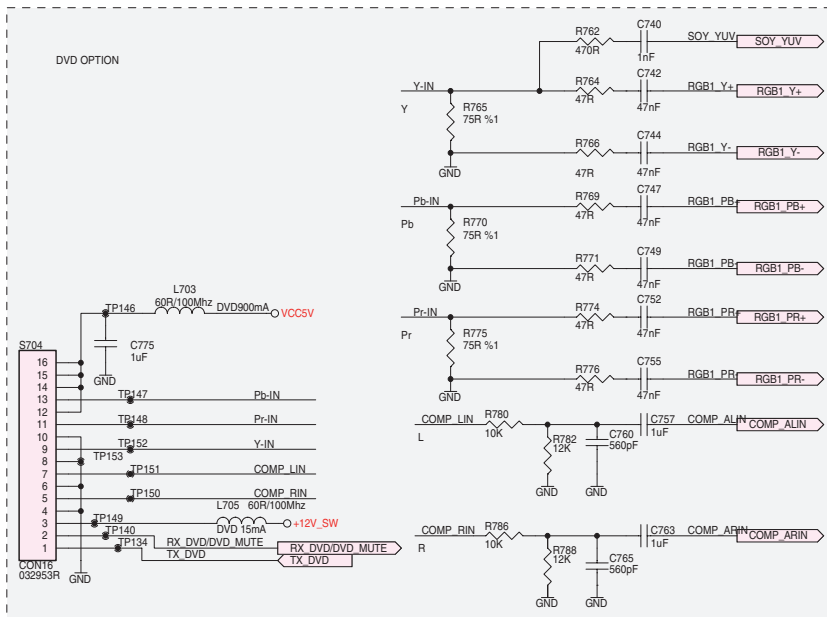


### Chassisplatte / Chassis Board – COFDM Demodulator YTS190R-12

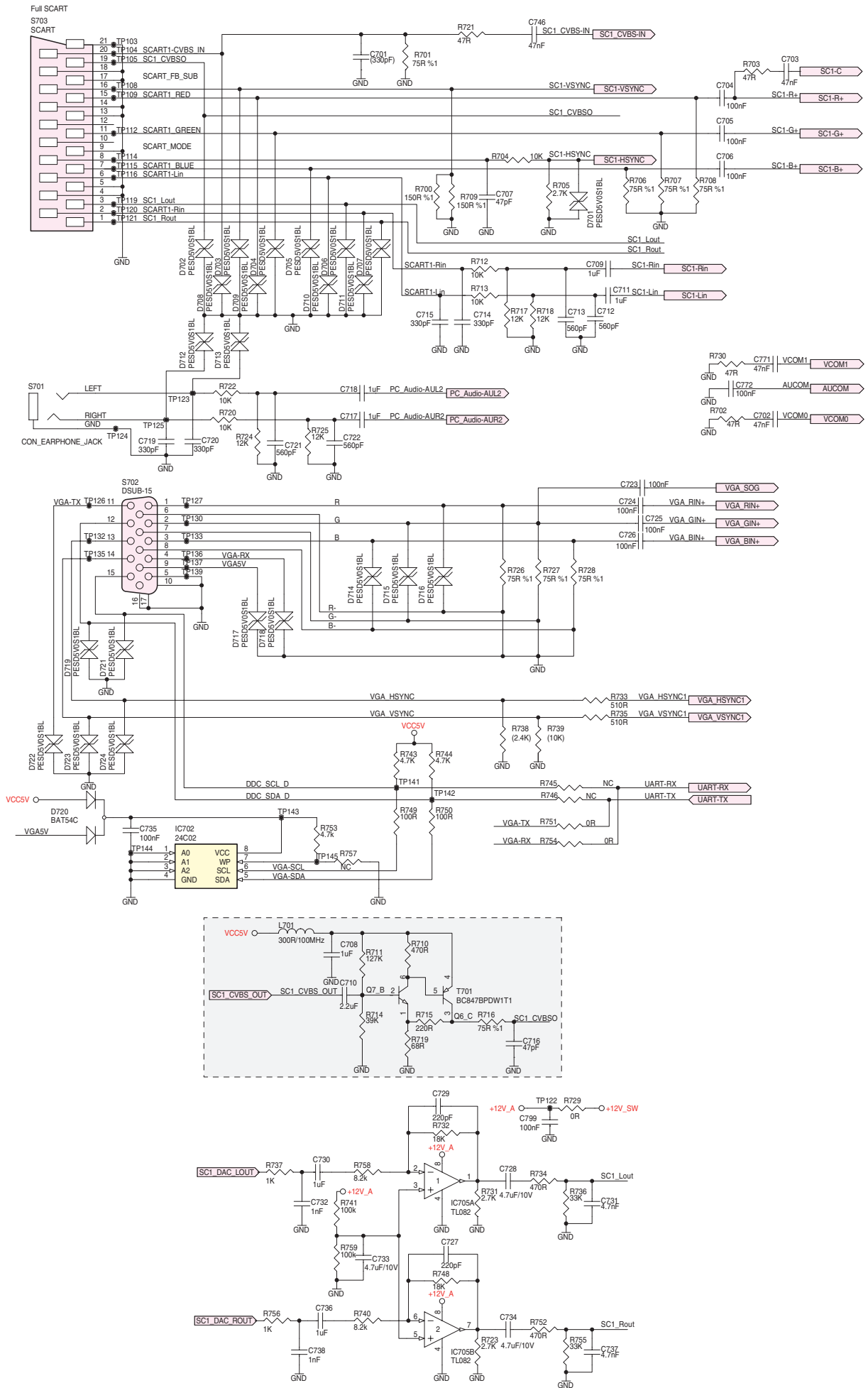




# Chassisplatte / Chassis Board – Interface DVD, AV, Hotel, USB YTS190R-12

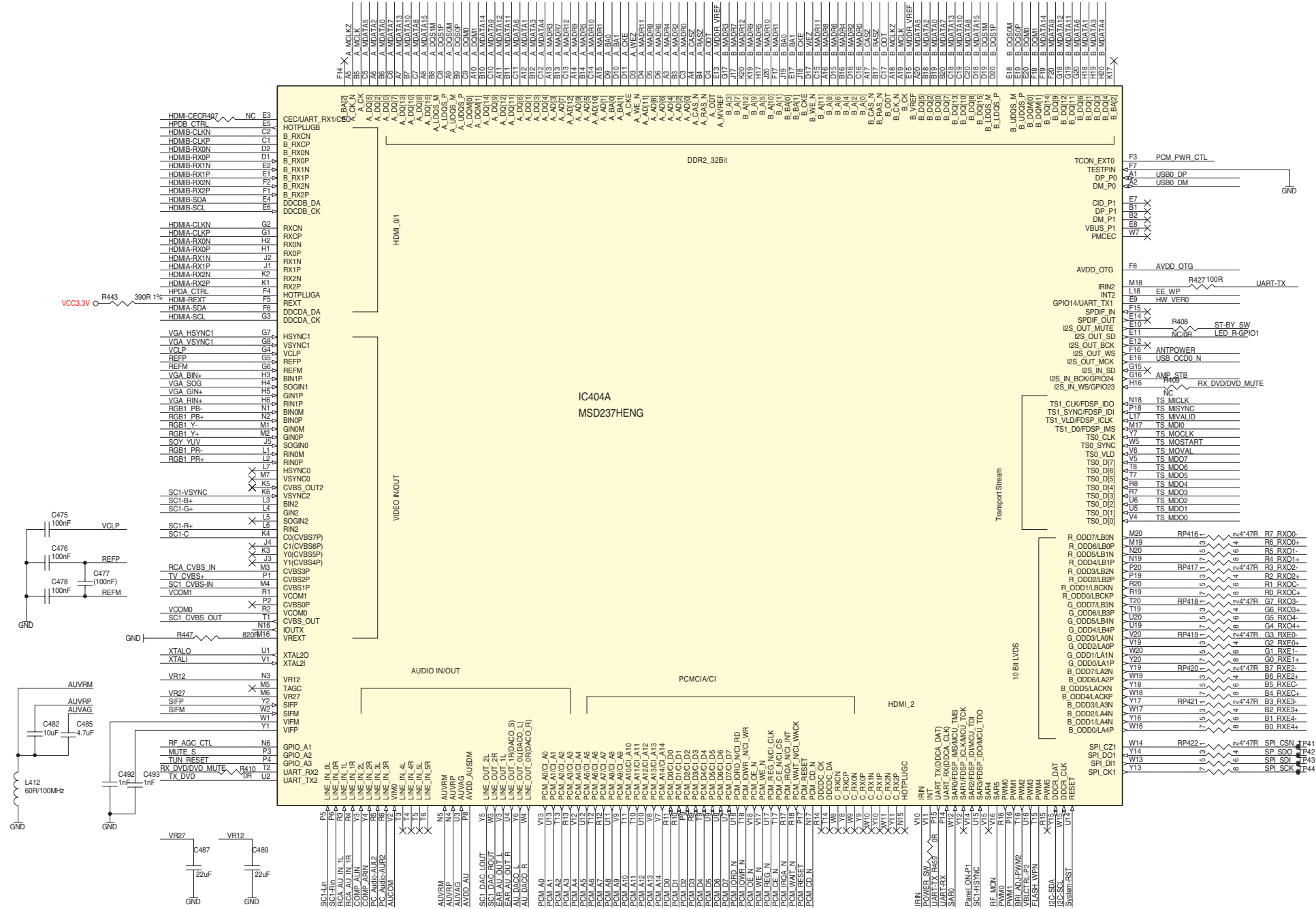


# Chassisplatte / Chassis Board – SCART, VGA YTS190R-12

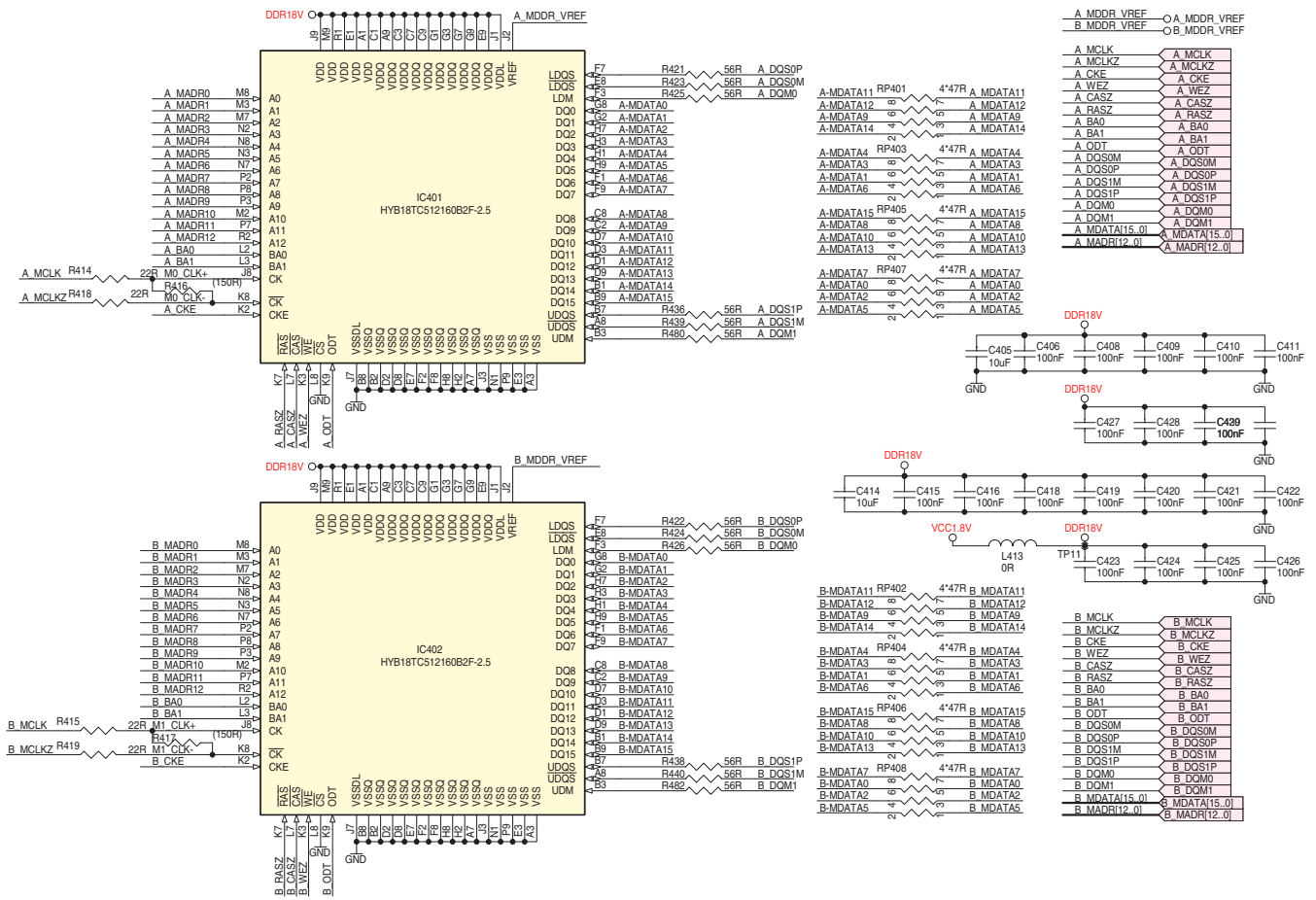




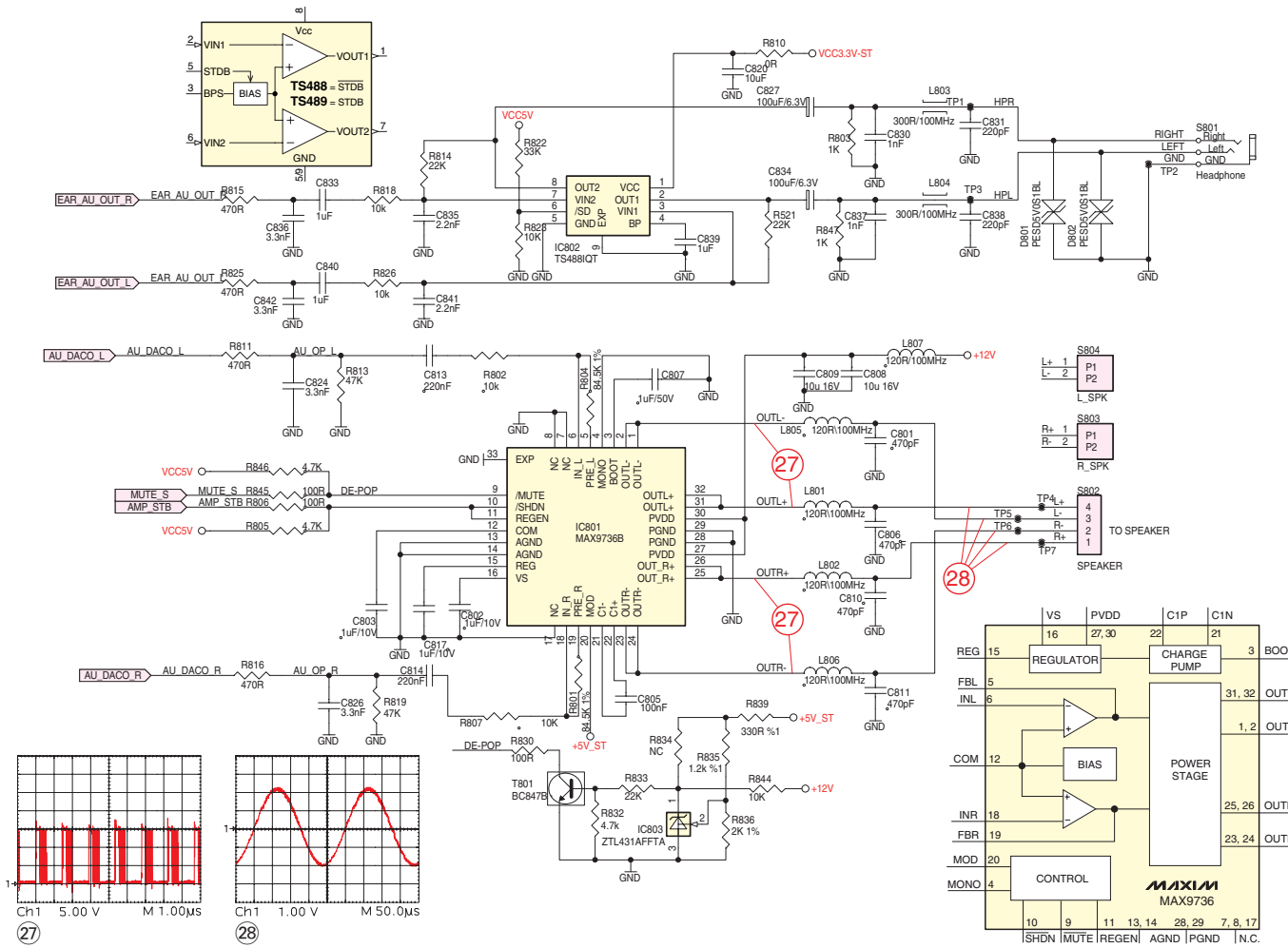




### Chassisplatte / Chassis Board – Scaler RAM YTS190R-12



### Chassisplatte – Verstärker / Chassis Board – Amplifier YTS190R-12

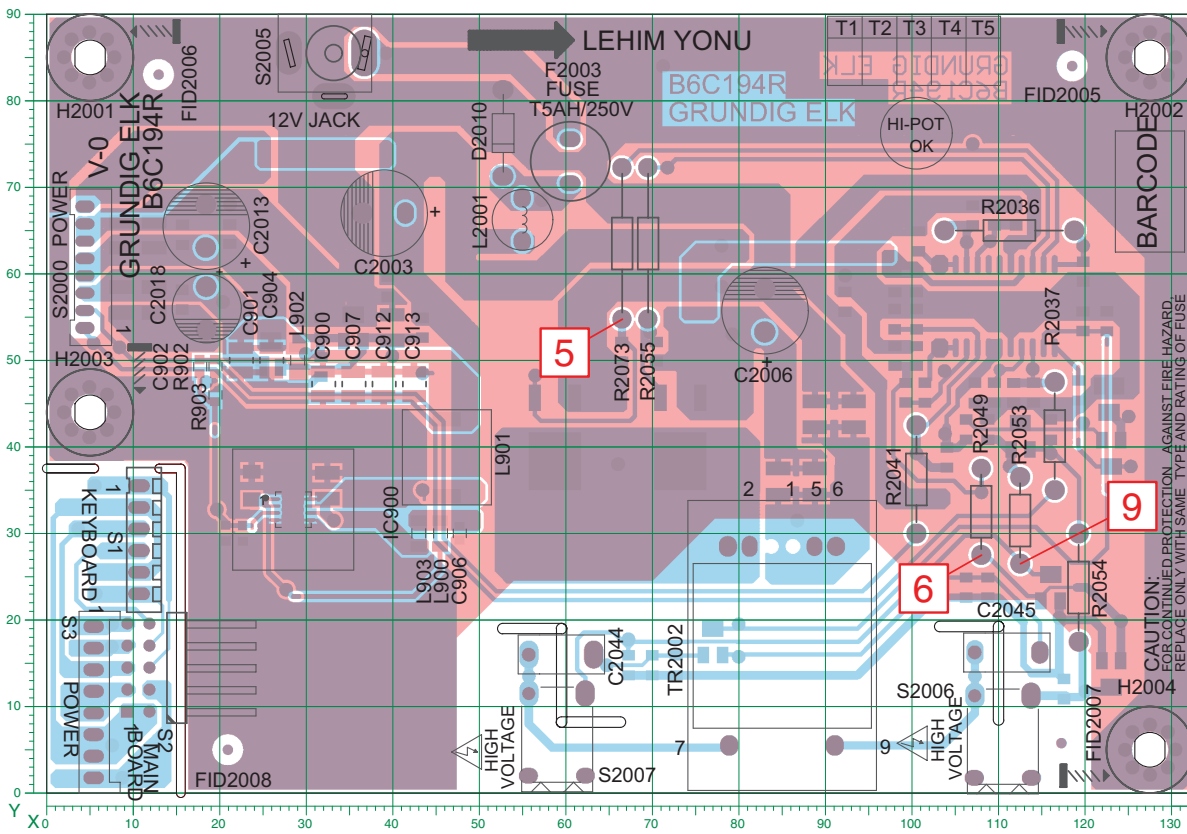




# Netzteil - Inverter / Power Supply - Inverter B6C194

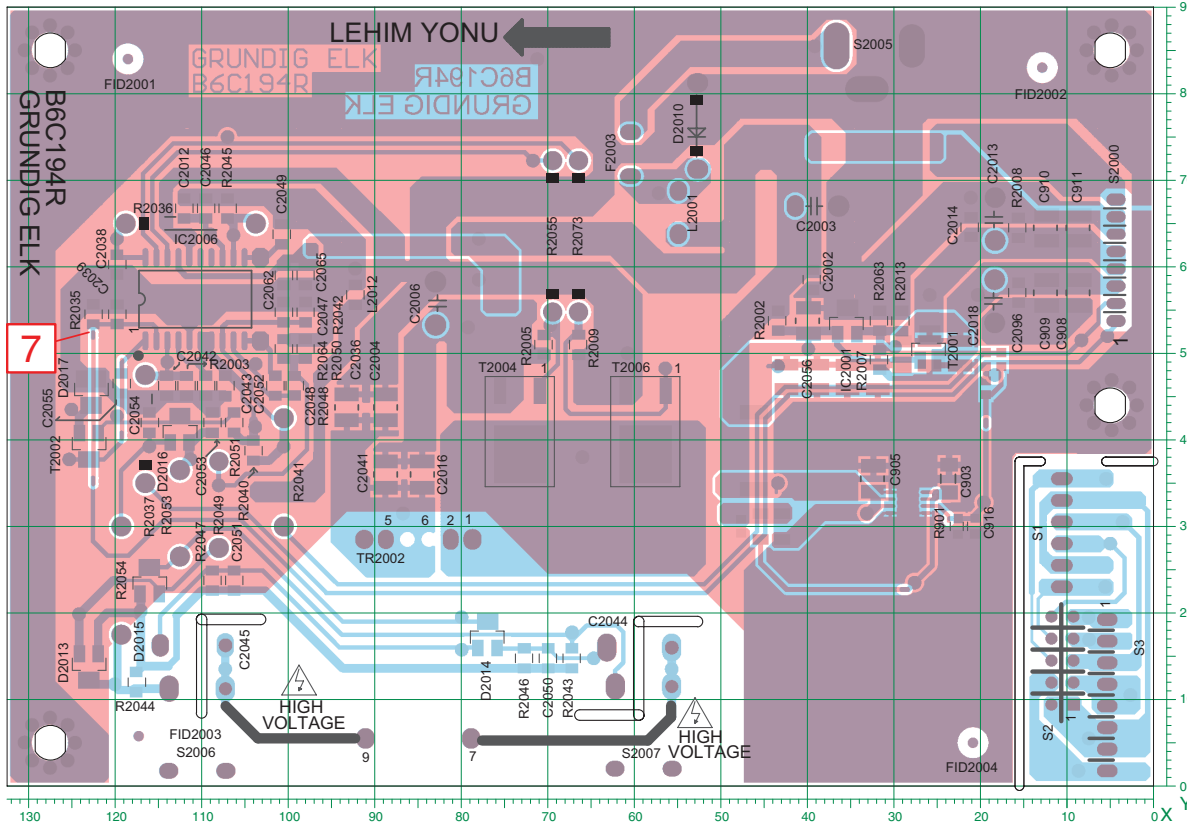
T: Bestückungsseite / Component Side  
 B: Lötseite / Solder Side

Ansicht von der Bestückungsseite / View of Component Side



POS.	X	Y
R2002	B	44 54
R2003	B	112 46
R2005	B	71 51
R2007	B	32 49
R2008	B	16 65
R2009	B	67 51
R2013	B	29 54
R2035	B	123 55
R2036	T	111 65
R2037	T	177 41
R2040	B	104 39
R2041	T	101 36
R2042	B	98 55
R2043	B	67 15
R2044	B	118 12
R2045	B	107 67
R2046	B	73 15
R2047	B	109 24
R2048	B	99 46
R2049	T	108 33
R2050	B	98 51
R2051	B	106 42
R2053	T	113 32
R2054	T	119 24
R2055	T	70 64
R2063	B	32 54
R2064	B	101 51
R2073	T	67 64
R901	B	23 30
R902	T	20 49
R903	T	20 46
S1	T	11 29
S2	T	11 15
S2000	T	5 61
S2005	T	32 83
S2006	T	111 7
S2007	T	59 7
S3	T	6 11
T2001	B	26 51
T2002	B	123 39
T2004	B	73 42
T2006	B	59 42
TP1	B	79 53
TP10	B	21 68
TP11	B	71 84
TP12	B	80 20
TP13	B	78 63
TP14	B	107 14
TP15	B	56 14
TP16	B	120 63
TP17	B	107 75
TP18	B	114 49
TP19	B	70 53
TP2	B	39 86
TP20	B	87 32
TP21	B	67 18
TP22	B	120 12
TP23	B	6 52
TP24	B	72 72
TP25	B	66 38
TP26	B	65 15
TP27	B	104 42
TP28	B	101 39
TP29	B	80 16
TP3	B	57 69
TP30	B	57 48
TP31	B	9 52
TP32	B	106 64
TP33	B	104 49
TP34	B	124 20
TP35	B	103 51
TP36	B	103 61
TP37	B	61 50
TP38	B	108 35
TP39	B	125 38
TP4	B	26 57
TP40	B	120 43
TP41	B	116 39
TP42	B	125 44
TP43	B	111 38
TP44	B	92 60
TP45	B	3 11
TP46	B	4 31
TP47	B	6 36
TP48	B	6 23
TP49	B	5 28
TP5	B	20 57
TP50	B	9 2
TP51	B	8 20
TP52	B	8 6
TP53	B	8 17
TP54	B	44 49
TP55	B	20 33
TP56	B	28 24
TP57	B	33 32
TP58	B	109 64
TP59	B	110 49
TP6	B	40 51
TP60	B	44 35
TP61	B	19 48
TP7	B	30 51
TP8	B	117 20
TP9	B	78 59
L902	T	29 50
L903	T	43 30
TR2002	T	85 17

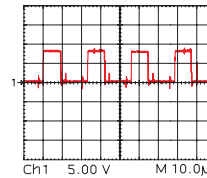
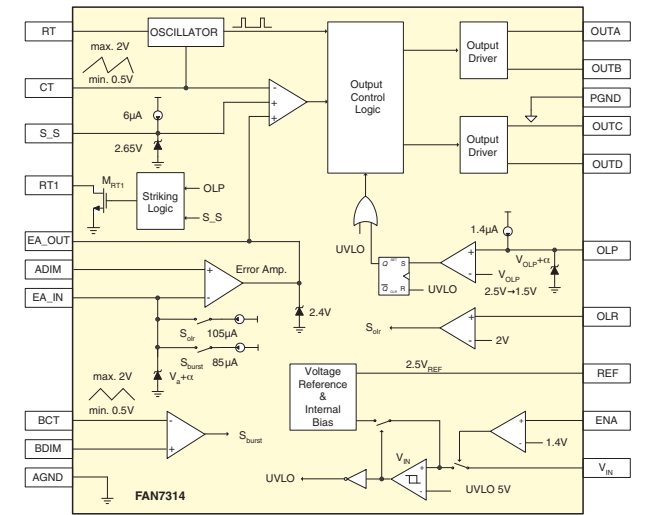
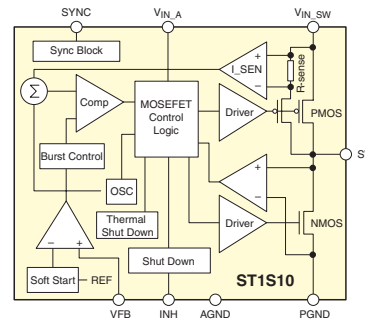
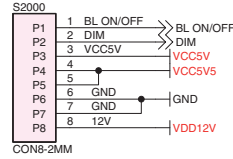
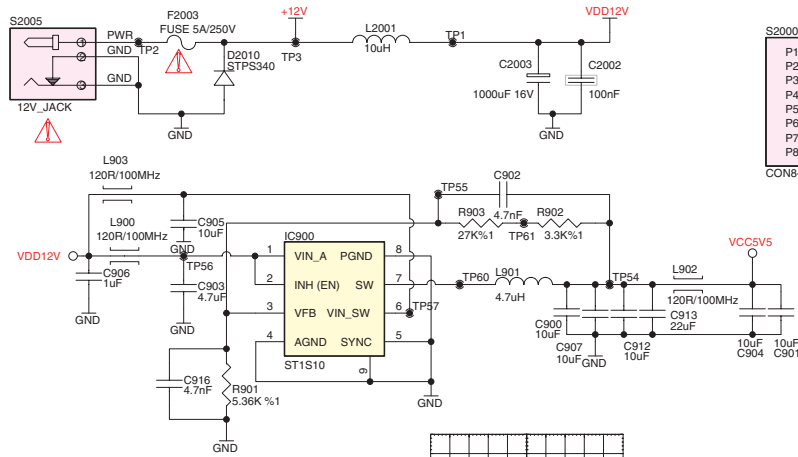
Ansicht von der Lötseite / View of Solder Side



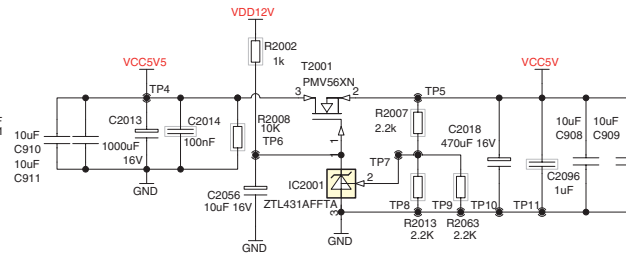
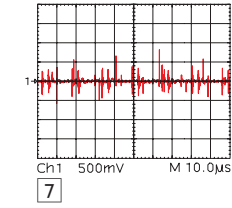
POS.	X	Y	POS.	X	Y	POS.	X	Y	POS.	X	Y	POS.	X	Y	POS.	X	Y			
C2002	B	40 59	C2036	B	93 44	C2047	B	101 55	C2056	B	40 54	C905	B	33 36	C916	B	21 30	IC2001	B	36 54
C2003	T	39 67	C2038	B	120 60	C2048	B	102 46	C2062	B	101 59	C906	T	48 30	D2010	T	53 76	IC2006	B	111 56
C2004	B	89 44	C2039	B	120 55	C2049	B	101 64	C2065	B	98 59	C907	T	36 47	D2013	B	123 14	IC900	T	29 33
C2006	T	83 56	C2041	B	89 36	C2050	B	70 15	C2066	B	16 57	C908	B	9 57	D2014	B	77 18	L2001	T	55 66
C2012	B	112 67	C2042	B	114 46	C2051	B	106 24	C900	T	32 47	C909	B	13 57	D2015	B	116 24	L2012	B	92 57
C2013	T	18 66	C2043	B	110 46	C2052	B	107 46	C901	T	23 50	C910	B	13 65	D2016	B	113 41	L900	T	46 30
C2014	B	21 65	C2044	T	60 16	C2053	B	109 42	C902	T	18 49	C911	B	9 65	D2017	B	123 46	L901	T	46 39
C2016	B	85 36	C2045	T	111 16	C2054	B	116 42	C903	B	24 36	C912	T	39 47	F2003	T	61 73	L902	T	29 50
C2018	T	19 56	C2046	B	110 67	C2055	B	119 47	C904	T	26 50	C913	T	43 47				L903	T	43 30



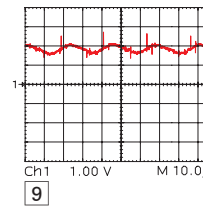
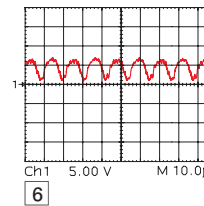
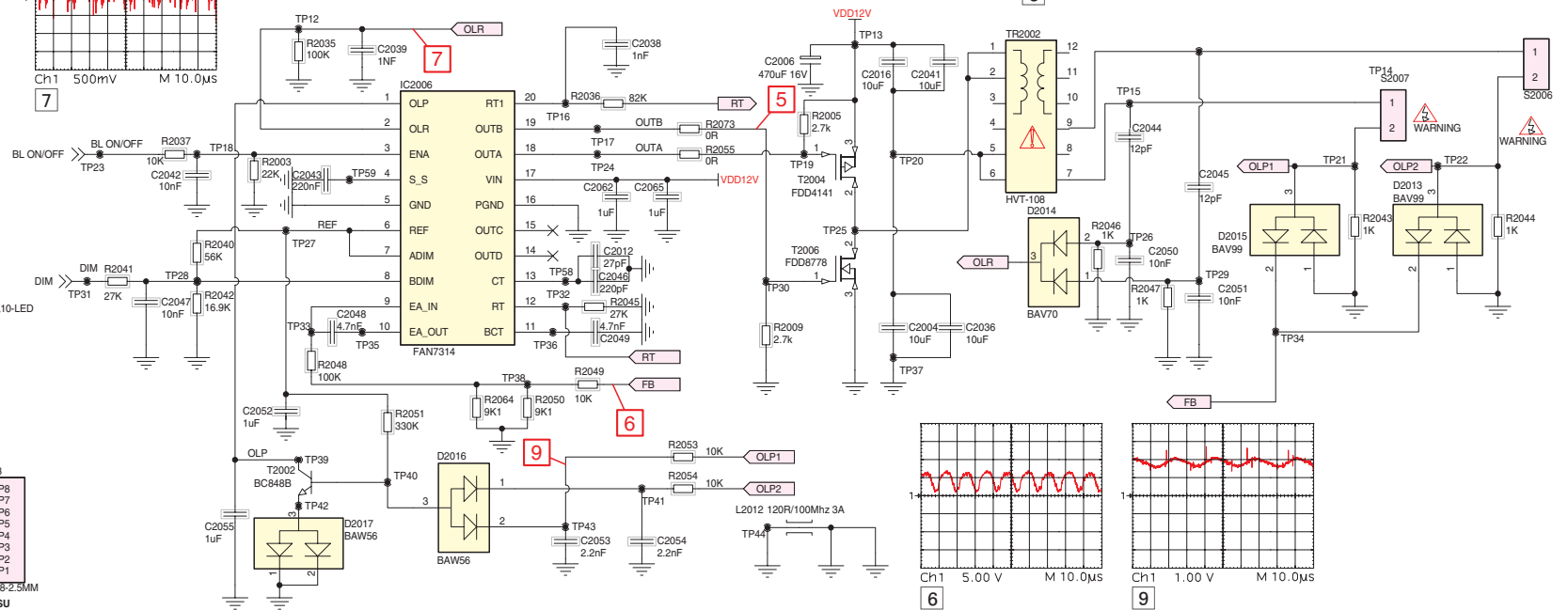
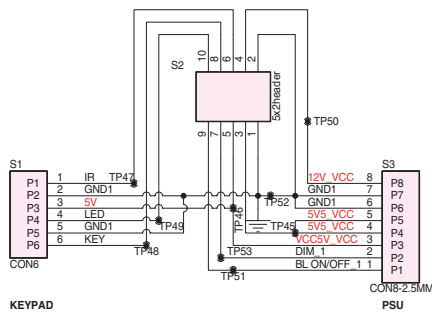
Netzteil - Inverter / Power Supply - Inverter B6C194



2 - 31



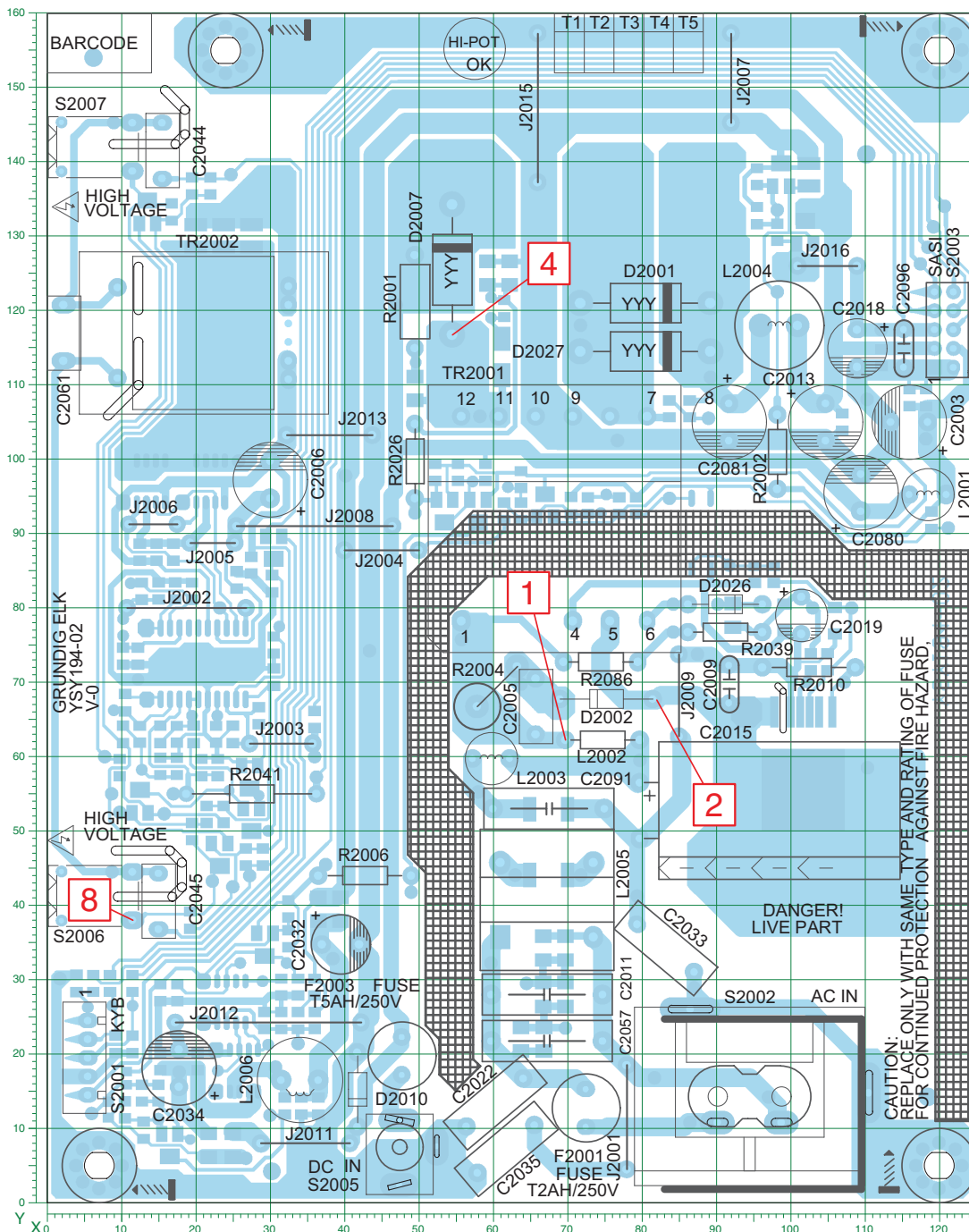
PINOUT: 1-GND/2-GND/3-5V/4-12V/5-VCC/6-IR/7-DIM/8-KEY/9-BL/10-LED



# Netzteil - Inverter / Power Supply - Inverter YSY194

Ansicht von der Bestückungsseite / View of Component Side

T: Bestückungsseite / Component Side  
B: Lötseite / Solder Side



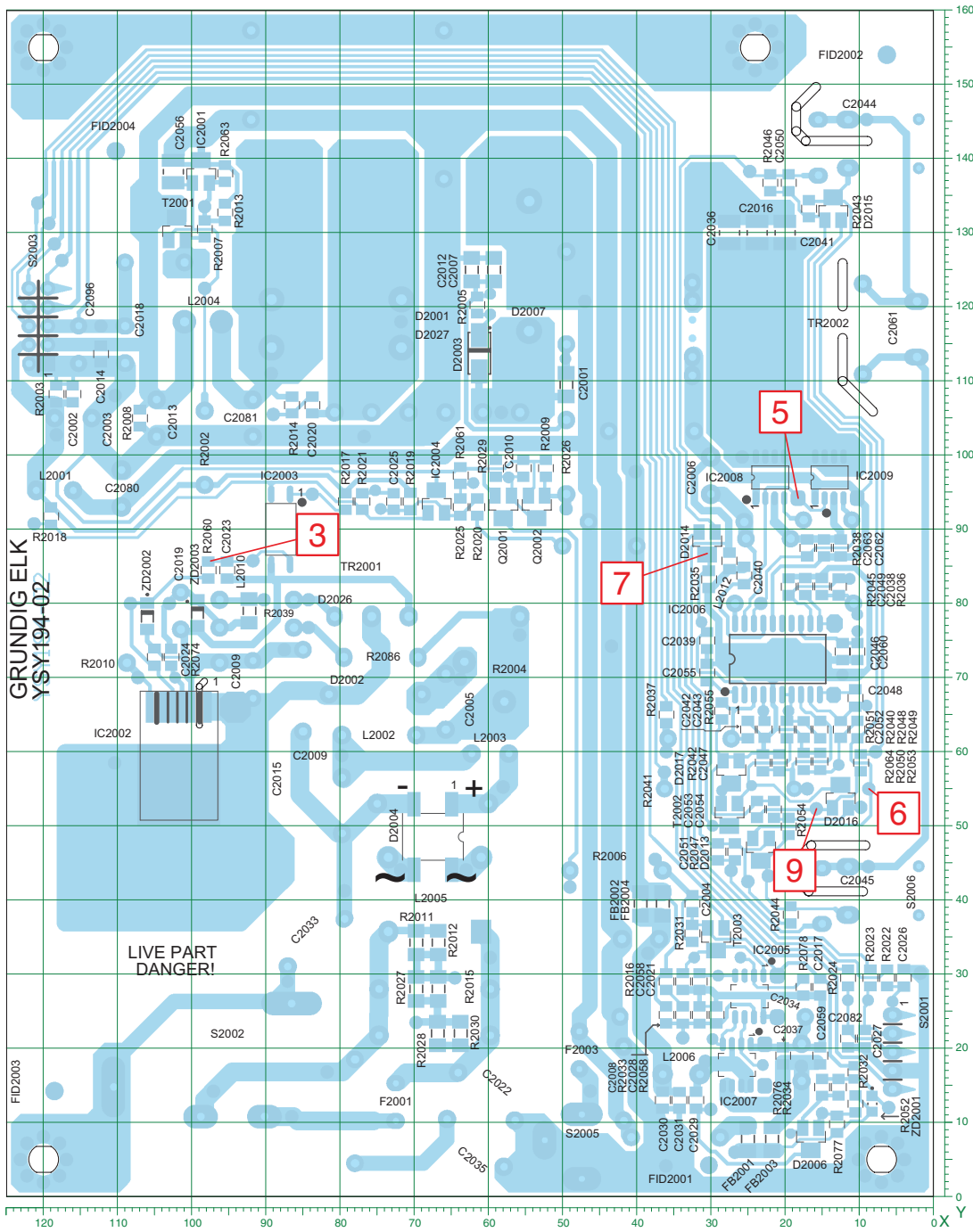
POS.	X	Y
TP106	B	75 95
TP107	B	11 83
TP11	B	31 78
TP110	B	97 14
TP114	B	23 66
TP116	B	102 70
TP117	B	62 96
TP12	B	10 79
TP13	B	9 45
TP14	B	34 21
TP15	B	33 124
TP16	B	25 43
TP17	B	118 126
TP18	B	9 145
TP19	B	18 94
TP2	B	50 93
TP20	B	23 80
TP21	B	8 60
TP22	B	22 43
TP23	B	25 138
TP24	B	10 76
TP25	B	17 55
TP26	B	36 57
TP27	B	32 32
TP28	B	13 68
TP29	B	13 77
TP3	B	49 42
TP30	B	27 44
TP31	B	9 55
TP32	B	13 58
TP33	B	30 50
TP34	B	24 55
TP35	B	10 53
TP36	B	29 55
TP37	B	16 52
TP38	B	47 121
TP39	B	27 6
TP4	B	57 97
TP40	B	58 106
TP41	B	118 103
TP42	B	56 76
TP43	B	36 60
TP44	B	64 70
TP45	B	110 59
TP46	B	72 118
TP47	B	40 98
TP48	B	112 117
TP49	B	82 17
TP5	B	43 74
TP50	B	63 44
TP51	B	89 111
TP52	B	103 80
TP53	B	89 106
TP54	B	98 123
TP55	B	90 81
TP56	B	98 134
TP57	B	107 70
TP58	B	84 81
TP59	B	65 30
TP6	B	110 108
TP60	B	72 44
TP61	B	18 18
TP62	B	79 41
TP63	B	70 24
TP64	B	20 66
TP65	B	92 86
TP66	B	121 91
TP67	B	30 21
TP68	B	9 66
TP69	B	6 26
TP7	B	2 30
TP70	B	119 131
TP71	B	84 95
TP72	B	9 27
TP73	B	121 134
TP74	B	88 74
TP75	B	119 129
TP76	B	75 93
TP77	B	12 27
TP78	B	26 100
TP79	B	30 12
TP8	B	77 103
TP80	B	38 33
TP81	B	29 30
TP82	B	46 14
TP83	B	31 18
TP84	B	23 18
TP85	B	36 4
TP86	B	26 32
TP87	B	38 46
TP88	B	6 12
TP89	B	15 11
TP9	B	58 55
TP90	B	84 77
TP91	B	60 32
TP92	B	19 9
TP93	B	12 70
TP94	B	87 29
TR2001	T	68 92
TR2002	T	21 117
ZD2001	B	8 13
ZD2002	B	106 78
ZD2003	B	99 79

POS.	X	Y	POS.	X	Y	POS.	X	Y	POS.	X	Y	POS.	X	Y	POS.	X	Y			
C2001	B	50 110	C2031	B	34 13	C2061	T	2 117	H2002	T	7 5	L2003	T	60 60	R2022	B	6 30	R2052	B	11 13
C2002	B	116 108	C2032	T	40 35	C2062	B	13 88	H2003	T	120 155	L2004	T	99 118	R2023	B	9 30	R2053	B	10 59
C2003	T	116 105	C2033	T	83 34	C2063	B	15 88	H2004	T	24 155	L2005	T	67 41	R2024	B	12 30	R2054	B	20 50
C2004	B	33 40	C2034	T	18 18	C2080	T	110 96	HS2007	T	99 20	L2006	T	34 17	R2025	B	64 93	R2055	B	29 66
C2005	T	66 67	C2035	T	62 7	C2081	T	92 105	IC2001	B	99 138	L2010	B	92 79	R2026	T	50 100	R2058	B	29 25
C2006	T	30 97	C2036	B	28 130	C2082	B	12 21	IC2002	B	102 61	L2012	B	28 86	R2027	B	70 28	R2060	B	98 85
C2007	B	59 125	C2037	B	20 19	C2091	T	68 53	IC2003	B	88 90	Q2001	B	58 93	R2028	B	67 22	R2061	B	64 97
C2008	B	36 25	C2038	B	15 82	C2096	T	115 115	IC2004	B	67 94	Q2002	B	54 93	R2029	B	59 98	R2063	B	96 138
C2009	T	92 70	C2039	B	31 75	D2001	T	81 121	IC2005	B	25 27	R2001	T	49 121	R2030	B	64 22	R2064	B	18 59
C2010	B	55 98	C2040	B	26 84	D2002	T	75 68	IC2006	B	21 73	R2002	T	98 101	R2031	B	33 36	R2074	B	103 73
C2011	T	67 28	C2041	B	20 130	D2003	B	61 114	IC2007	B	27 18	R2003	B	118 108	R2032	B	11 17	R2076	B	15 15
C2012	B	62 125	C2042	B	25 63	D2004	B	68 49	IC2008	B	22 97	R2004	T	61 69	R2033	B	34 25	R2077	B	13 10
C2013	T	105 105	C2043	B	23 63	D2006	B	17 8	IC2009	B	14 97	R2005	T	62 120	R2034	B	13 15	R2078	B	18 28
C2014	B	112 114	C2044	T	16 142	D2007	T	55 126	J2001	T	78 12	R2006	T	43 44	R2035	B	30 83	R2086	T	75 73
C2015	T	80 53	C2045	T	15 41	D2010	T	42 15	J2002	T	19 80	R2007	B	98 131	R2036	B	13 82	S2001	T	6 20
C2016	B	24 130	C2046	B	12 74	D2013	B	23 47	J2003	T	32 62	R2008	B	107 105	R2037	B	36 65	S2002	T	95 11
C2017	B	15 28	C2047	B	21 59	D2014	B	31 88	J2004	T	45 88	R2009	B	52 98	R2038	B	17 88	S2003	T	121 117
C2018	T	109 115	C2048	B	11 67	D2015	B	14 133	J2005	T	22 89	R2010	T	103 72	R2039	T	91 77	S2005	T	50 7
C2019	T	102 79	C2049	B	17 82	D2016	B	13 54	J2006	T	14 91	R2011	B	70 34	R2040	B	15 63	S2006	T	7 41
C2020	B	84 107	C2050	B	20 137	D2017	B	27 57	J2007	T	92 151	R2012	B	67 34	R2041	T	28 55	S2007	T	7 142
C2021	B	32 29	C2051	B	29 47	D2026	T	91 81	J2008	T	36 91	R2013	B	96 133	R2042	B	23 59	T2001	B	102 131
C2022	T	60 14	C2052	B	18 63	D2027	T	81 115	J2009	T	85 68	R2014	B	87 107	R2043	B	17 133	T2002	B	28 52
C2023	B	95 85	C2053	B	24 52	F2001	T	73 13	J2011	T	35 8	R2015	B	67 28	R2044	B	19 38	T2003	B	29 35
C2024	B	105 73	C2054	B	22 52	F2003	T	48 20	J2012	T	30 24	R2016	B	36 29	R2045	B	20 82	TP1	B	87 11
C2025	B	73 94	C2055	B	31 71	FB2001	B	25 8	J2013	T	38 103	R2017	B	79 94	R2046	B	22 137	TP10	B	21 30
C2026	B	4 30	C2056	B	103 138	FB2002	B	40 40	J2015	T	66 147	R2018	B	119 92	R2047	B	27 47	TP100	B	50 113
C2027	B	9 21	C2057	T	67 22	FB2003	B	22 8	J2016	T	105 126	R2019	B	71 94	R2048	B	13 63	TP101	B	80 60
C2028	B	32 25	C2058	B	34 29	FB2004	B	37 40	L2001	T	119 95	R2020	B	62 93	R2049	B	10 63	TP102	B	60 119
C2029	B	32 13	C2059	B	15 19	H2001	T	120 5	L2002	T	75 62	R2021	B	77 94	R2050	B	15 59	TP104	B	60 122
C2030	B	37 13	C2060	B	10 74							R2051	B	20 63	R2051	B	20 63	TP105	B	108 80

Netzteil - Inverter / Power Supply - Inverter YSY194

T: Bestückungsseite / Component Side  
 B: Lötseite / Solder Side

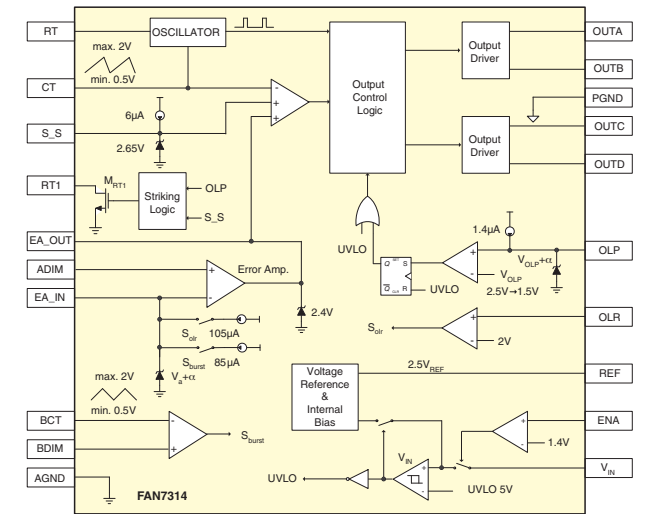
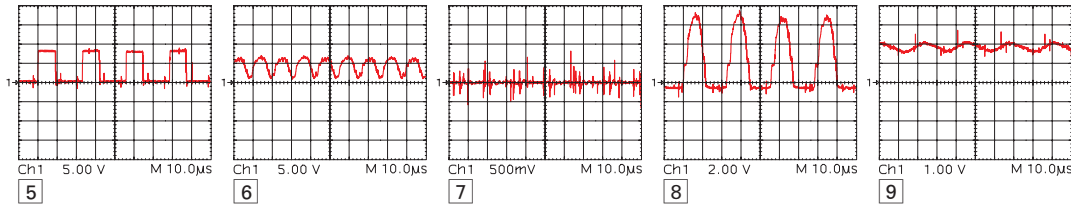
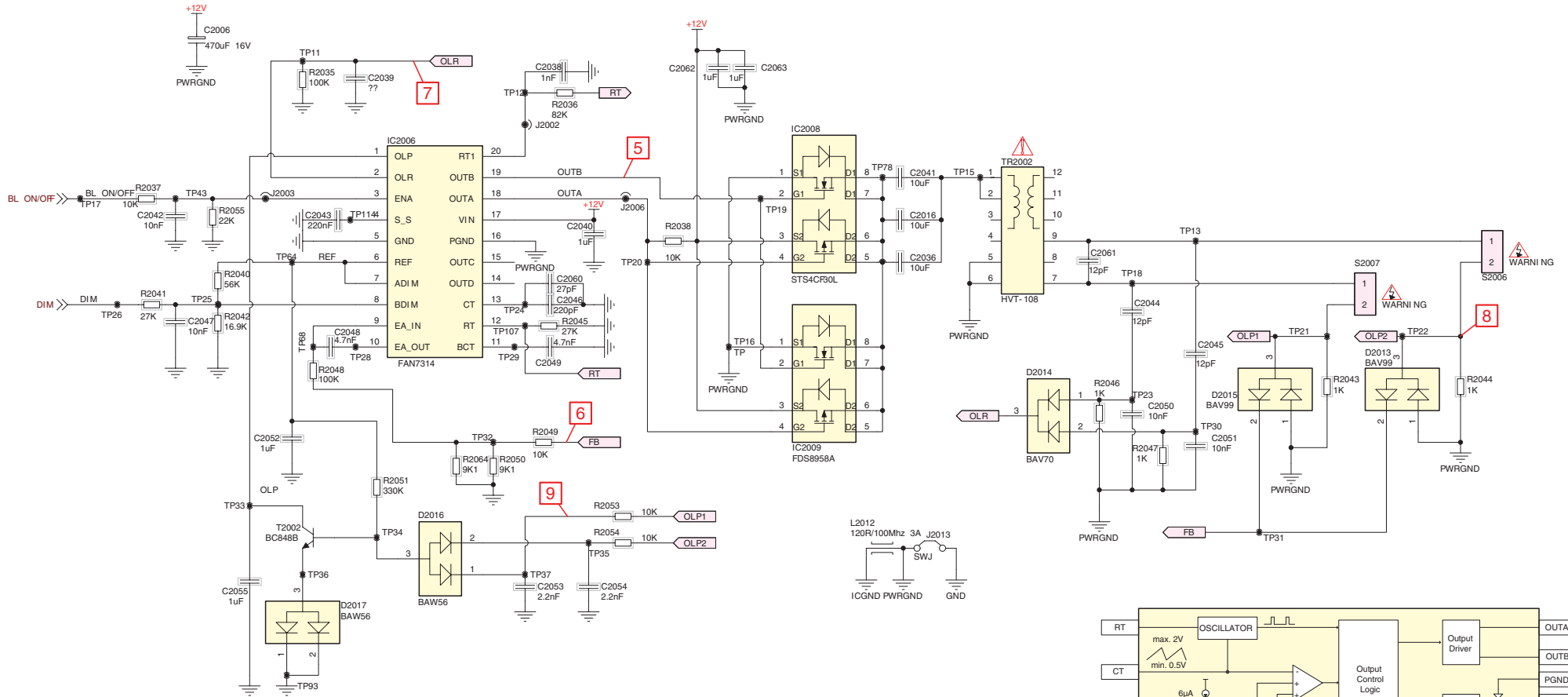
Ansicht von der Lötseite / View of Solder Side



POS.	X	Y
TP106	B	75 95
TP107	B	11 83
TP11	B	31 78
TP110	B	97 14
TP114	B	23 66
TP116	B	102 70
TP117	B	62 96
TP12	B	10 79
TP13	B	9 45
TP14	B	34 21
TP15	B	33 124
TP16	B	25 43
TP17	B	118 126
TP18	B	9 145
TP19	B	18 94
TP2	B	50 93
TP20	B	23 80
TP21	B	8 60
TP22	B	22 43
TP23	B	25 138
TP24	B	10 76
TP25	B	17 55
TP26	B	36 57
TP27	B	32 32
TP28	B	13 68
TP29	B	13 77
TP3	B	49 42
TP30	B	27 44
TP31	B	9 55
TP32	B	13 58
TP33	B	30 50
TP34	B	24 55
TP35	B	10 53
TP36	B	29 55
TP37	B	16 52
TP38	B	47 121
TP39	B	27 6
TP4	B	57 97
TP40	B	58 106
TP41	B	118 103
TP42	B	56 76
TP43	B	36 60
TP44	B	64 70
TP45	B	110 59
TP46	B	72 118
TP47	B	40 98
TP48	B	112 117
TP49	B	82 17
TP5	B	43 74
TP50	B	63 44
TP51	B	89 111
TP52	B	103 80
TP53	B	89 106
TP54	B	98 123
TP55	B	90 81
TP56	B	98 134
TP57	B	107 70
TP58	B	84 81
TP59	B	65 30
TP6	B	110 108
TP60	B	72 44
TP61	B	18 18
TP62	B	79 41
TP63	B	70 24
TP64	B	20 66
TP65	B	92 86
TP66	B	121 91
TP67	B	30 21
TP68	B	9 66
TP69	B	6 26
TP7	B	2 30
TP70	B	119 131
TP71	B	84 95
TP72	B	9 27
TP73	B	121 134
TP74	B	88 74
TP75	B	119 129
TP76	B	75 93
TP77	B	12 27
TP78	B	26 100
TP79	B	30 12
TP8	B	77 103
TP80	B	38 33
TP81	B	29 30
TP82	B	46 14
TP83	B	31 18
TP84	B	23 18
TP85	B	36 4
TP86	B	26 32
TP87	B	38 46
TP88	B	6 12
TP89	B	15 11
TP9	B	58 55
TP90	B	84 77
TP91	B	60 32
TP92	B	19 9
TP93	B	12 70
TP94	B	87 29
TR2001	T	68 92
TR2002	T	21 117
ZD2001	B	8 13
ZD2002	B	106 78
ZD2003	B	99 79

POS.	X	Y	POS.	X	Y	POS.	X	Y	POS.	X	Y	POS.	X	Y	POS.	X	Y				
C2001	B	50 110	C2031	B	34 13	C2061	T	2 117	H2002	T	7 5	L2003	T	60 60	R2022	B	6 30	R2052	B	11 13	
C2002	B	116 108	C2032	T	40 35	C2062	B	13 88	H2003	T	120 155	L2004	T	99 118	R2023	B	9 30	R2053	B	10 59	
C2003	T	116 105	C2033	T	83 34	C2063	B	15 88	H2004	T	24 155	L2005	T	67 41	R2024	B	12 30	R2054	B	20 50	
C2004	B	33 40	C2034	T	18 18	C2080	T	110 96	HS2007	T	99 20	L2006	T	34 17	R2025	B	64 93	R2055	B	29 66	
C2005	T	66 67	C2035	T	62 7	C2081	T	92 105	IC2001	B	99 138	L2010	B	92 79	R2026	T	50 100	R2056	B	29 25	
C2006	T	30 97	C2036	B	28 130	C2082	B	12 21	IC2002	B	102 61	L2012	B	28 86	R2027	B	70 28	R2060	B	98 85	
C2007	B	59 125	C2037	B	20 19	C2091	T	68 53	IC2003	B	88 90	Q2001	B	58 93	R2028	B	67 22	R2061	B	64 97	
C2008	B	36 25	C2038	B	15 82	C2096	T	115 115	IC2004	B	67 94	Q2002	B	54 93	R2029	B	59 98	R2063	B	96 138	
C2009	T	92 70	C2039	B	31 75	D2001	T	81 121	IC2005	B	25 27	R2001	T	49 121	R2030	B	64 22	R2064	B	18 59	
C2010	B	55 98	C2040	B	26 84	D2002	T	75 68	IC2006	B	21 73	R2002	T	98 101	R2031	B	33 36	R2074	B	103 73	
C2011	T	67 28	C2041	B	20 130	D2003	B	61 114	IC2007	B	27 18	R2003	B	118 108	R2032	B	11 17	R2076	B	15 15	
C2012	B	62 125	C2042	B	25 63	D2004	B	68 49	IC2008	B	22 97	R2004	T	61 69	R2033	B	34 25	R2077	B	13 10	
C2013	T	105 105	C2043	B	23 63	D2006	B	17 8	IC2009	B	14 97	R2005	B	62 120	R2034	B	13 15	R2078	B	18 28	
C2014	B	112 114	C2044	T	16 142	D2007	T	55 126	J2001	T	78 12	R2006	T	43 44	R2035	B	30 83	R2086	T	75 73	
C2015	T	80 53	C2045	T	15 41	D2010	T	42 15	J2002	T	19 80	R2007	B	98 131	R2036	B	13 82	S2001	T	6 20	
C2016	B	24 130	C2046	B	12 74	D2013	B	23 47	J2003	T	32 62	R2008	B	107 105	R2037	B	36 65	S2002	T	95 11	
C2017	B	15 28	C2047	B	21 59	D2014	B	31 88	J2004	T	45 88	R2009	B	52 98	R2038	B	17 88	S2003	T	121 117	
C2018	T	109 115	C2048	B	11 67	D2015	B	14 133	J2005	T	22 89	R2010	T	103 72	R2039	T	91 77	S2005	T	50 7	
C2019	T	102 79	C2049	B	17 82	D2016	B	13 54	J2006	T	14 91	R2011	B	70 34	R2040	B	15 63	S2006	T	7 41	
C2020	B	84 107	C2050	B	20 137	D2017	B	27 57	J2007	T	92 151	R2012	B	67 34	R2041	T	28 55	S2007	T	7 142	
C2021	B	32 29	C2051	B	29 47	D2026	T	91 81	J2008	T	36 91	R2013	B	96 133	R2042	B	23 59	T2001	B	102 131	
C2022	T	60 14	C2052	B	18 63	D2027	T	81 115	J2009	T	85 68	R2014	B	87 107	R2043	B	17 133	T2002	B	28 52	
C2023	B	95 85	C2053	B	24 52	F2001	T	73 13	J2011	T	35 8	R2015	B	67 28	R2044	B	19 38	T2003	B	29 35	
C2024	B	105 73	C2054	B	22 52	F2003	T	48 20	J2012	T	30 24	R2016	B	36 29	R2045	B	20 82	TP1	B	87 11	
C2025	B	73 94	C2055	B	31 71	FB2001	B	25 8	J2013	T	38 103	R2017	B	79 94	R2046	B	22 137	TP10	B	21 30	
C2026	B	4 30	C2056	B	103 138	FB2002	B	40 40	J2015	T	66 147	R2018	B	119 92	R2047	B	27 47	TP100	B	50 113	
C2027	B	9 21	C2057	T	67 22	FB2003	B	22 8	J2016	T	105 126	R2019	B	71 94	R2048	B	13 63	TP101	B	80 60	
C2028	B	32 25	C2058	B	34 29	FB2004	B	37 40	L2001	T	119 95	R2020	B	62 93	R2049	B	10 63	TP102	B	60 119	
C2029	B	32 13	C2059	B	15 19	H2001	T	120 5	L2002	T	75 62	R2021	B	77 94	R2050	B	15 59	TP104	B	60 122	
C2030	B	37 13	C2060	B	10 74								R2051	B	20 63	TP105	B	108 80	ZD2002	B	106 78



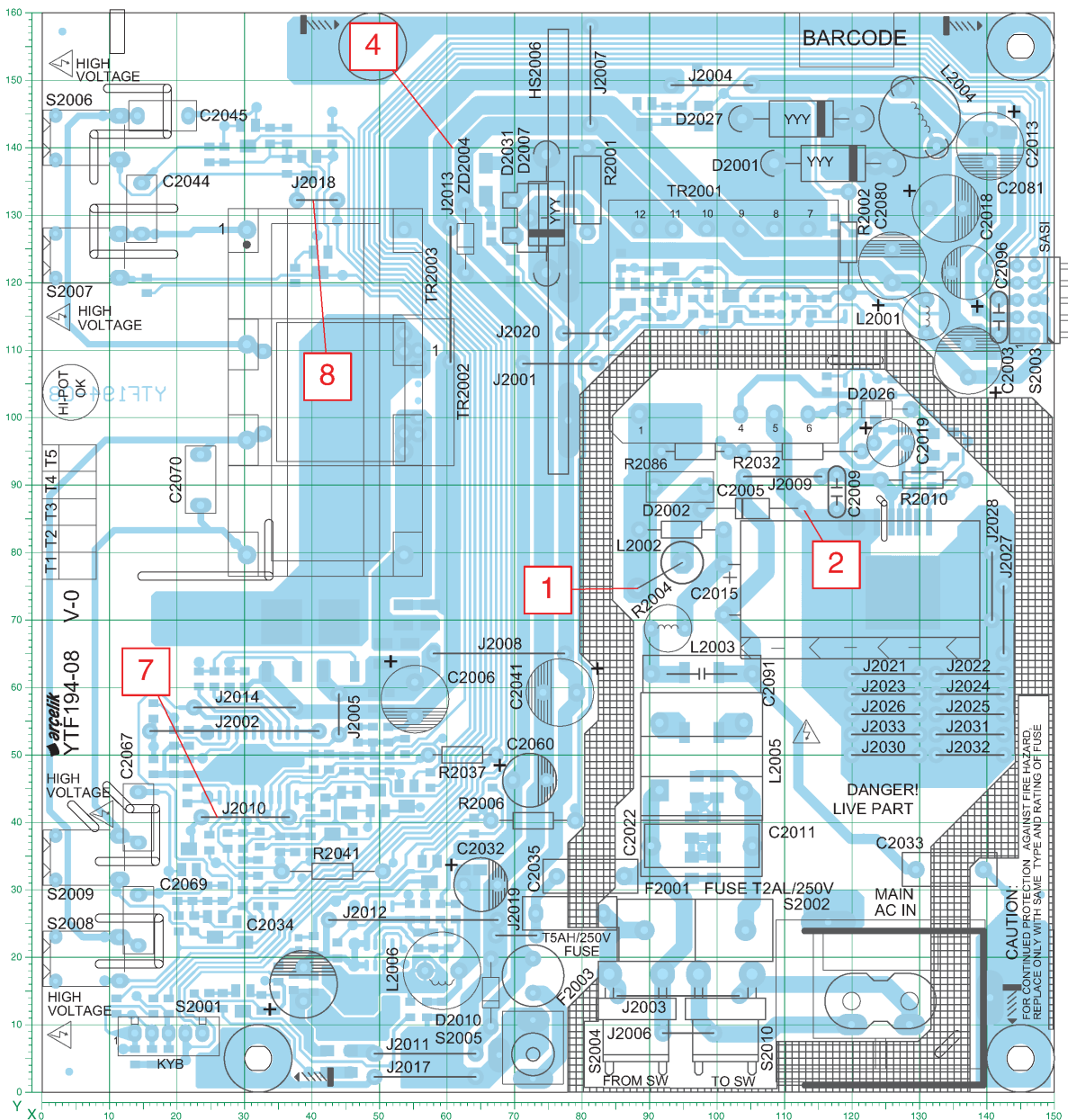




# Netzteil - Inverter / Power Supply - Inverter YTF194

T: Bestückungsseite / Component Side  
B: Lötseite / Solder Side

Ansicht von der Bestückungsseite / View of Component Side



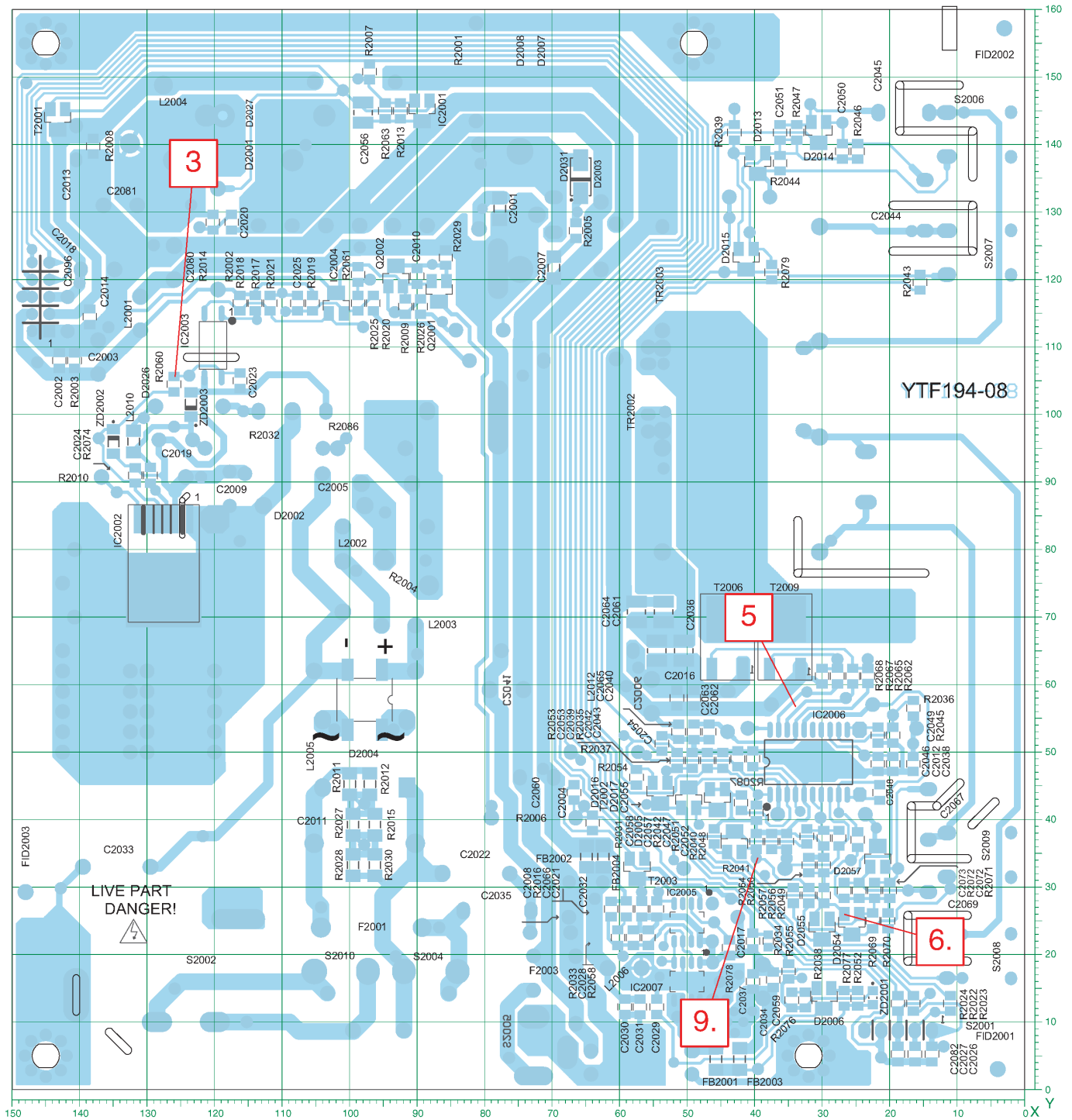
POS.	X	Y	POS.	X	Y	POS.	X	Y	POS.	X	Y	POS.	X	Y	POS.	X	Y		
TP114	B	33	41	TP115	B	54	108	TP116	B	129	89	TP117	B	97	120	TP12	B	17	51
TP13	B	9	145	TP14	B	60	20	TP15	B	54	92	TP16	B	46	25	TP17	B	66	49
TP18	B	17	127	TP19	B	52	4	TP2	B	93	115	TP20	B	54	29	TP21	B	45	121
TP22	B	44	129	TP23	B	27	143	TP24	B	24	50	TP25	B	35	34	TP26	B	52	34
TP27	B	57	29	TP28	B	24	44	TP29	B	24	53	TP3	B	79	42	TP30	B	32	146
TP31	B	43	139	TP32	B	26	34	TP33	B	40	44	TP34	B	56	42	TP35	B	59	52
TP36	B	48	39	TP37	B	53	47	TP38	B	99	125	TP39	B	40	3	TP4	B	88	122
TP40	B	81	137	TP41	B	146	108	TP42	B	89	78	TP43	B	56	50	TP44	B	95	86
TP45	B	116	81	TP46	B	107	140	TP47	B	87	24	TP48	B	140	120	TP49	B	87	24
TP5	B	129	125	TP50	B	94	53	TP51	B	124	131	TP52	B	126	98	TP53	B	122	128
TP54	B	101	148	TP55	B	131	100	TP56	B	99	150	TP57	B	135	89	TP58	B	116	101
TP59	B	98	42	TP6	B	46	22	TP60	B	102	53	TP61	B	51	11	TP62	B	122	38
TP63	B	98	36	TP64	B	30	40	TP65	B	124	106	TP66	B	98	113	TP67	B	54	19
TP68	B	28	41	TP69	B	12	6	TP7	B	21	5	TP70	B	148	149	TP71	B	114	114
TP72	B	13	12	TP73	B	149	118	TP74	B	122	91	TP75	B	147	125	TP76	B	110	115
TP77	B	14	14	TP78	B	9	23	TP79	B	29	81	TP8	B	74	106	TP80	B	64	28
TP81	B	39	32	TP82	B	76	5	TP83	B	45	16	TP84	B	54	21	TP85	B	136	113
TP86	B	41	127	TP87	B	57	63	TP88	B	143	30	TP89	B	32	59	TP9	B	65	42
TP90	B	53	100	TP91	B	28	64	TP92	B	27	58	TP93	B	11	30	TP94	B	59	60
TP95	B	9	17	TP96	B	19	33	TP97	B	17	30	TP98	B	43	145	TP99	B	40	34
TR2001	T	101	114	TR2002	T	44	104	TR2003	T	42	104	ZD2001	B	23	14	ZD2002	B	135	96
ZD2003	B	124	102	ZD2004	T	124	102	ZD2005	T	134	131	ZD2006	B	19	5	ZD2007	T	29	54

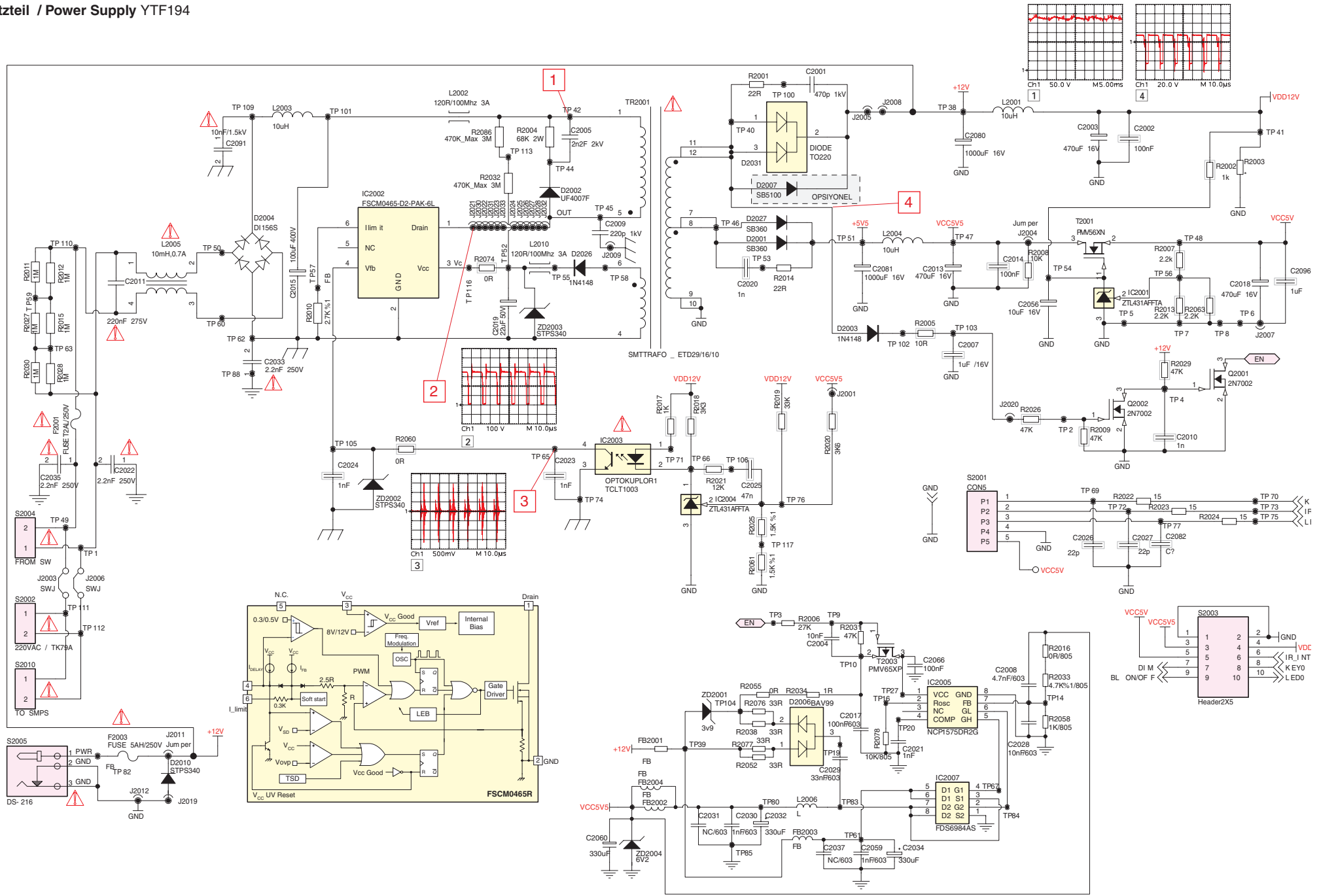
POS.	X	Y	POS.	X	Y	POS.	X	Y	POS.	X	Y	POS.	X	Y	POS.	X	Y		
C2001	B	78	131	C20038	B	17	48	C20091	T	98	62	J2003	T	94	14	Q2001	B	87	118
C2002	B	143	108	C20039	B	47	49	C20096	T	142	115	J2004	T	99	149	Q2002	B	93	121
C2003	T	137	109	C20040	B	47	53	D2001	T	117	138	J2005	T	44	56	R2001	T	81	134
C2004	B	67	44	C20041	T	77	59	D2002	T	105	87	J2006	T	96	9	R2002	T	120	126
C2005	T	95	90	C20042	B	43	49	D2003	B	66	135	J2007	T	81	151	R2003	B	141	108
C2006	T	55	58	C20043	B	40	49	D2004	B	98	58	J2008	T	68	65	R2004	T	92	77
C2007	B	70	122	C20044	T	15	131	D2005	B	43	37	J2009	T	110	91	R2005	B	67	127
C2008	B	61	27	C20045	T	18	145	D2006	B	30	14	J2010	T	30	41	R2006	T	73	40
C2009	T	118	89	C20046	B	22	48	D2007	T	75	130	J2011	T	57	6	R2007	B	97	151
C2010	B	90	121	C20047	B	35	37	D2010	T	67	15	J2012	T	55	26	R2008	B	138	140
C2011	T	98	37	C20048	B	22	44	D2013	B	40	137	J2013	T	61	118	R2009	B	92	116
C2012	B	20	48	C20049	B	22	53	D2014	B	31	142	J2014	T	30	57	R2010	T	131	91
C2013	T	141	140	C20050	B	27	139	D2015	B	41	123	J2017	T	57	2	R2011	B	100	45
C2014	B	139	115	C20051	B	36	142	D2016	B	54	44	J2018	T	41	132	R2012	B	97	45
C2015	T	101	75	C20052	B	30	37	D2017	B	46	43	J2019	T	70	23	R2013	B	93	145
C2016	B	55	65	C20053	B	49	49	D2026	T	124	101	J2020	T	81	113	R2014	B	120	129
C2017	B	40	22	C20054	B	54	51	D2027	T	113	144	J2021	T	125	62	R2015	B	96	39
C2018	T	137	122	C20055	B	40	41	D2031	T	71	130	J2022	T	138	62	R2016	B	59	27
C2019	T	126	96	C20056	B	98	145	D2054	B	26	25	J2023	T	125	59	R2017	B	114	117
C2020	B	118	129	C20057	B	40	37	D2055	B	30	24	J2024	T	138	59	R2018	B	116	117
C2021	B	55	27	C20058	B	46	38	D2057	B	22	35	J2025	T	138	56	R2019	B	106	117
C2022	T	81	32	C20059	B	37	16	F2001	T	97	24	J2026	T	125	56	R2020	B	97	117
C2023	B	116	105	C20060	T	72	46	F2003	T	73	17	J2027	T	143	70	R2021	B	112	117
C2024	B	132	91	C20061	B	54	71	FB2001	B	46	5	J2028	T	141	75	R2022	B	17	13
C2025	B	108	117	C20062	B	49	58	FB2002	B	65	35	J2030	T	125	50	R2023	B	11	13
C2026	B	14	5	C20063	B	52	58	FB2003	B	42	5	J2031	T	138	53	R2024	B	19	13
C2027	B	16	5	C20064	B	58	71	FB2004	B	62	35	J2032	T	138	50	R2025	B	99	117
C2028	B	58	23	C20065	B	49	53	IC2001	B	89	145	J2033	T	125	53	R2026	B	90	116
C2029	B	55	12	C20066	B	57	27	IC2002	B	128	79	L2001	T	131	115	R2027	B	100	39
C2030	B	59	12	C20067	T	14	41	IC2003	B	120	110	L2002	T	95	83	R2028	B	100	33
C2031	B	57	12	C20069	T	14	26	IC2004	B	102	117	L2003	T	93	69	R2029	B	86	123
C2032	T	65	31	C20070	T	24	91	IC2005	B	50	25	L2004	T	130	145	R2030	B	96	33
C2033	T	134	33	C20072	B	22	30	IC2006	B	32	49	L2005	T	98	50	R2031	B	64	40
C2034	T	39	16	C20073	B	27	30	IC2007	B	50	16	L2006	T	59	18	R2032	T	113	95
C2035	T	78	26	C20080	T	126	123	J2001	T	77	108	L2010	B	132	96	R2033	B	60	23
C2036	B	51	65	C20081	T	134	131	J2002	T	29	54	L2012	B	51	53	R2034	B	38	22
C2037	B	40	16	C20082	B	19	5								R2035	B	45	49	

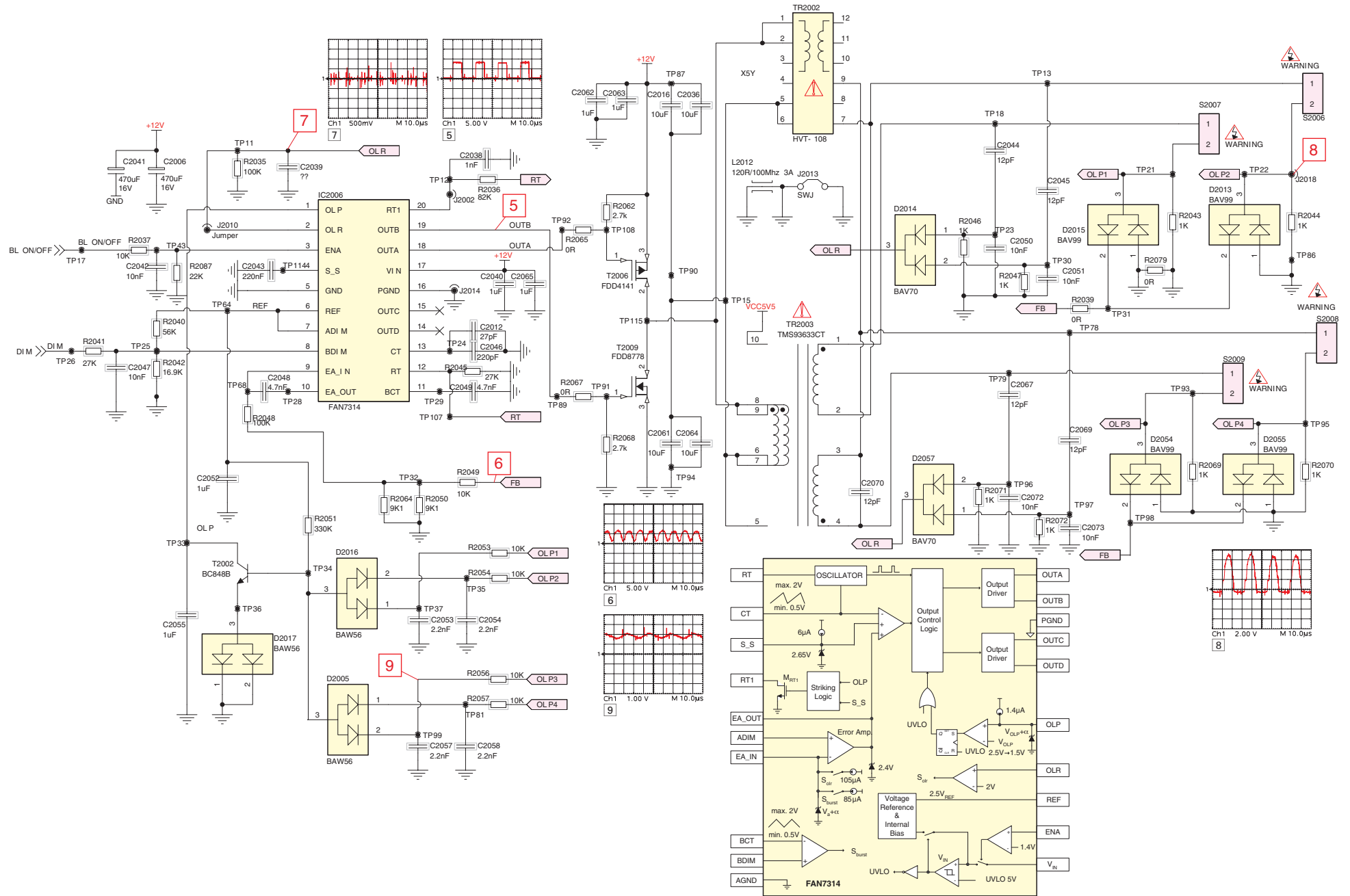


### Netzteil - Inverter / Power Supply - Inverter YTF194

Ansicht von der Lötseite / View of Solder Side







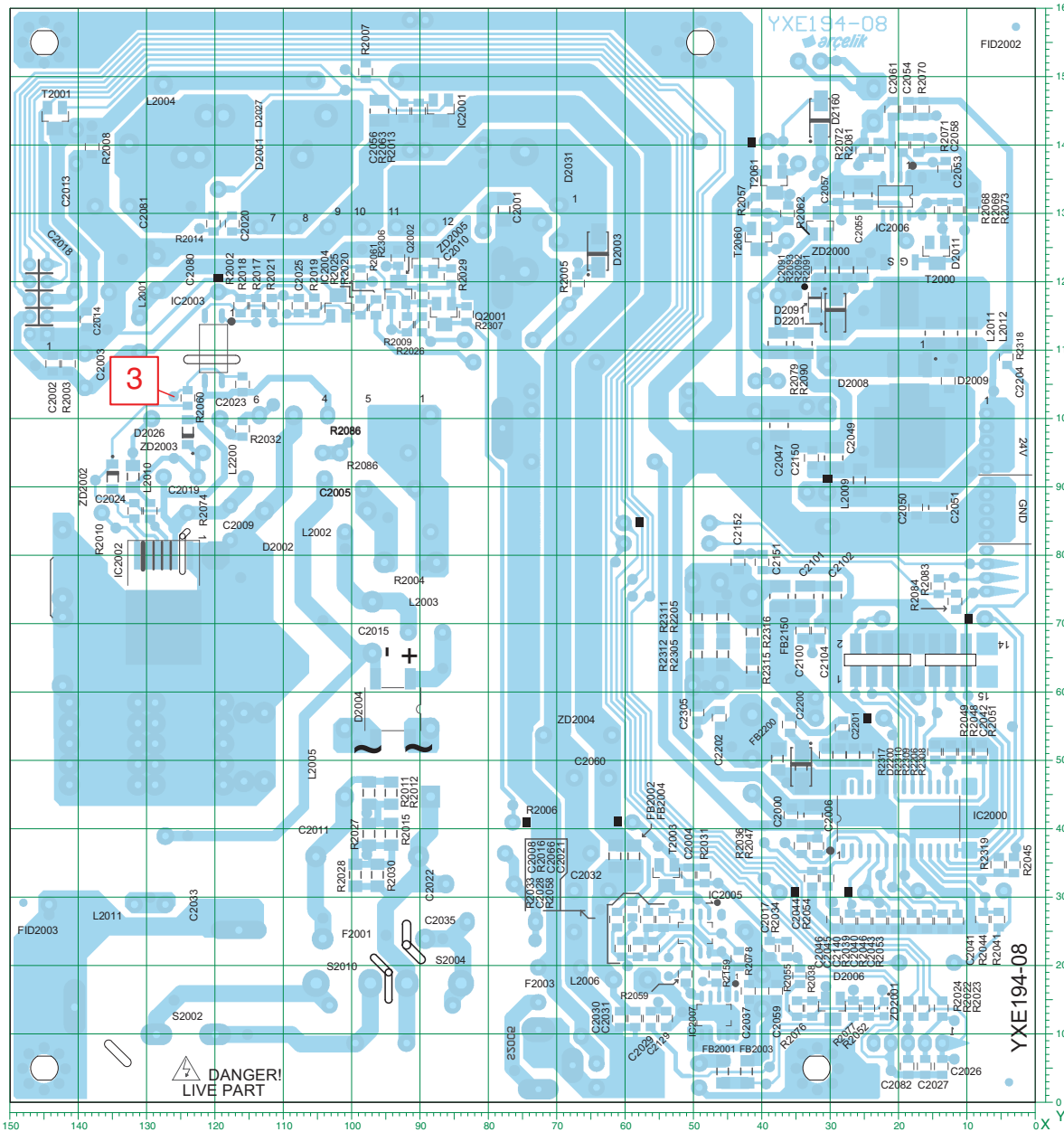




Netzteil - LED-Konverter / Power Supply - LED Converter YXE194

T: Bestückungsseite / Component Side  
B: Lötseite / Solder Side

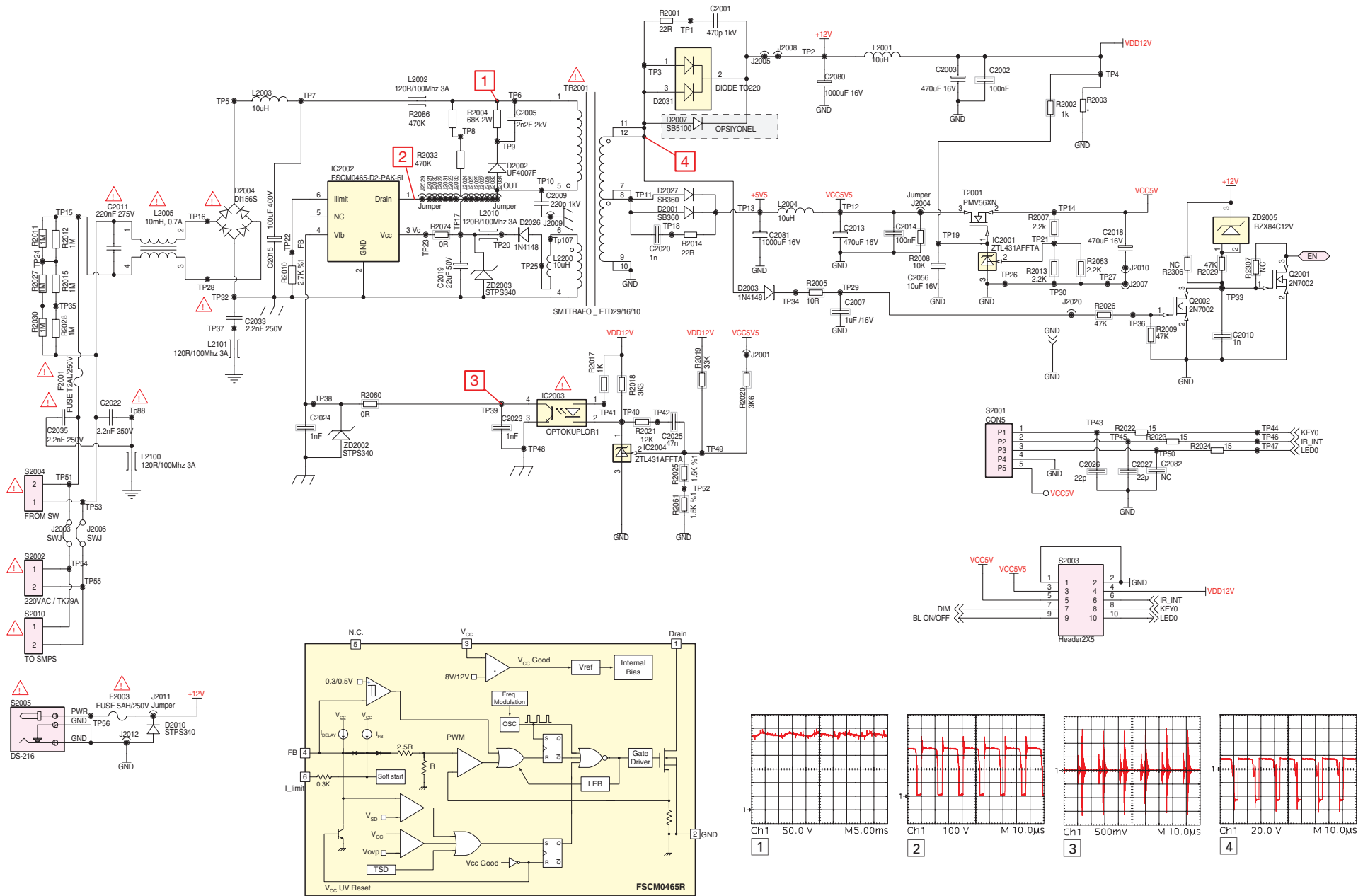
Ansicht von der Lötseite / View of Solder Side



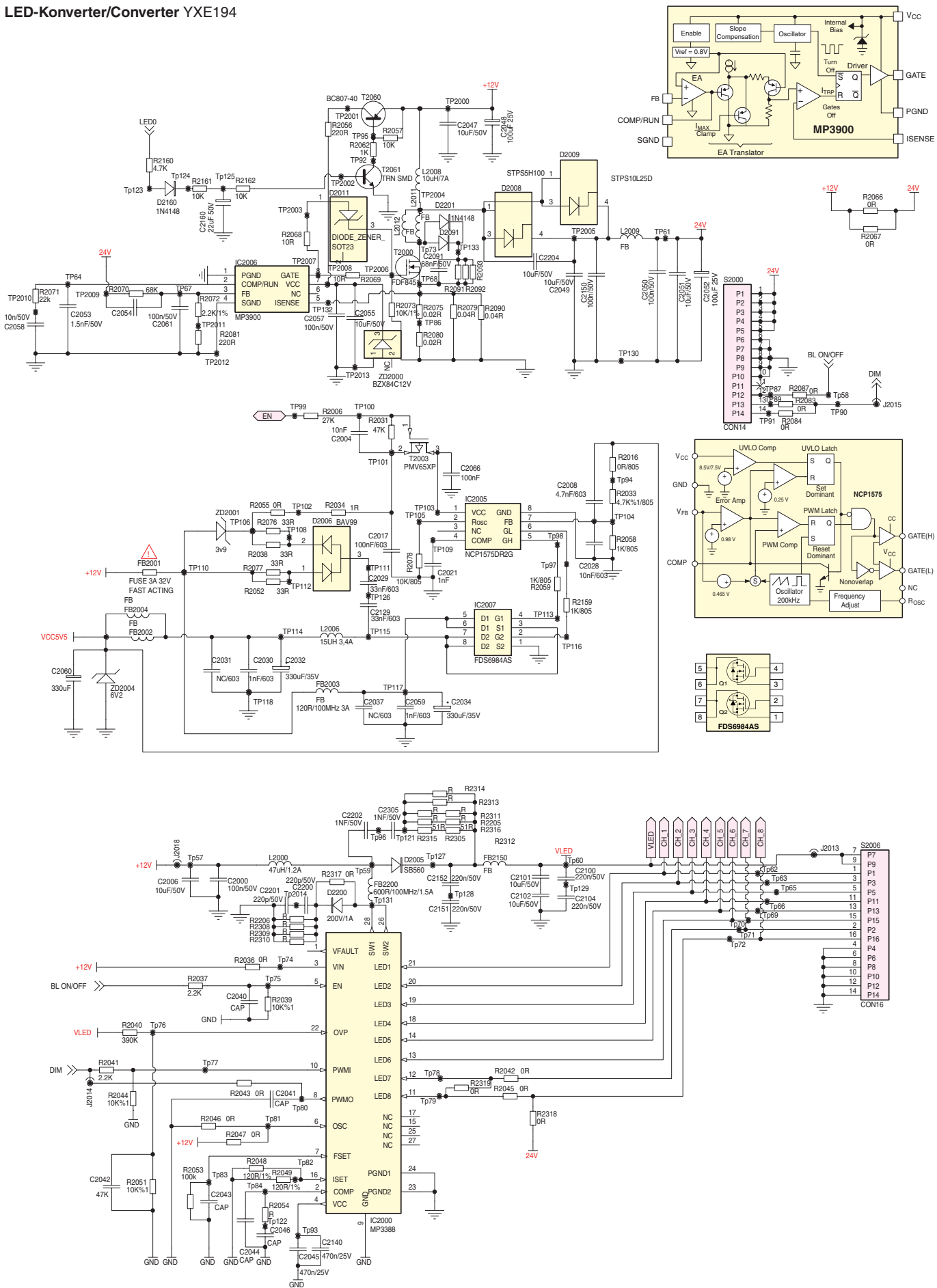
POS.	X	Y	POS.	X	Y	POS.	X	Y	POS.	X	Y	POS.	X	Y	POS.	X	Y
TP116	B	49	18														
TP117	B	50	9														
TP118	B	136	28														
TP119	B	144	28														
TP12	B	138	143														
TP121	B	48	61														
TP122	B	30	29														
TP123	B	37	141														
TP124	B	33	136														
TP125	B	29	152														
TP126	B	55	15														
TP127	B	45	74														
TP128	B	42	80														
TP129	B	33	66														
TP13	B	124	131														
TP130	B	22	86														
TP131	B	37	47														
TP132	B	24	124														
TP133	B	27	119														
TP134	B	14	140														
TP15	B	104	27														
TP16	B	89	52														
TP17	B	126	94														
TP18	B	122	128														
TP19	B	101	148														
TP2	B	99	125														
TP20	B	132	95														
TP2000	B	78	112														
TP2001	B	38	125														
TP2002	B	37	138														
TP2003	B	14	128														
TP2004	B	12	109														
TP2005	B	25	95														
TP2006	B	11	128														
TP2007	B	16	132														
TP2008	B	29	132														
TP2009	B	10	92														
TP2010	B	15	141														
TP2011	B	26	137														
TP2012	B	9	134														
TP2013	B	56	154														
TP2014	B	38	59														
TP21	B	101	151														
TP22	B	135	84														
TP23	B	129	84														
TP24	B	98	42														
TP25	B	118	98														
TP26	B	130	125														
TP27	B	134	123														
TP28	B	99	52														
TP29	B	89	111														
TP3	B	21	137														
TP30	B	12	5														
TP32	B	124	39														
TP33	B	95	122														
TP34	B	67	123														
TP35	B	98	36														
TP36	B	94	113														
TP37	B	130	30														
TP38	B	138	91														
TP39	B	126	103														
TP4	B	146	108														
TP40	B	112	114														
TP41	B	114	114														
TP42	B	110	118														
TP43	B	12	6														
TP44	B	59	74														
TP45	B	12	12														
TP46	B	57	74														
TP47	B	59	77														
TP48	B	104	71														
TP49	B	110	115														
TP5	B	87	64														
TP50	B	19	11														
TP51	B	87	24														
TP52	B	97	120														
TP53	B	95	25														
TP54	B	126	15														
TP55	B	115	10														
TP56	B	76	5														
TP57	B	40	41														
TP58	B	40	33														
TP59	B	45	52														
TP6	B	29	79														
TP60	B	36	62														
TP61	B	6	104														
TP62	B	27	60														
TP63	B	24	60														
TP64	B	15	137														
TP65	B	17	56														
TP66	B	15	57														
TP67	B	15	144														
TP68	B	35	118														
TP69	B	13	60														
TP7	B	101	81														
TP70	B	10	60														
TP71	B	26	70														
TP72	B	3	37														
TP73	B	25	116														
TP74	B	37	38														
TP75	B	23	29														
TP76	B	21	54														
TP77	B	8	30														
TP78	B	4	55														
TP79	B	8	33														
TP8	B	101	97														
TP80	B	19	33														
TP81	B	23	33														
TP82	B	13	49														
TP83	B	21	32														
TP84	B	40	38														
TP86	B	40	107														
TP87	B	10	79														
TP88	B	73	24														
TP89	B	12	77														
TP9	B	95	86														
TP90	B	62	79														
TP91	B	9	75														
TP92	B	36	133														
TP93	B	27	29														
TP94	B	59	26														
TP95	B	39	130														
TP96	B	50	54														
TP97	B	54	21														
TP98	B	54	19														
TP99	B	77	44														
TR2001	T	101	114														
ZD2000	B	32	129														
ZD2001	B	22	14														
ZD2002	B	135	92														
ZD2003	B	124	98														
ZD2004	B	67	54														
ZD2005	T	89	123														

C2000
-------



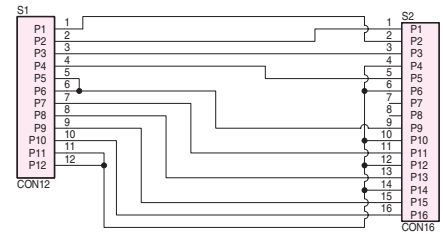
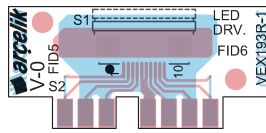


LED-Konverter/Converter YXE194



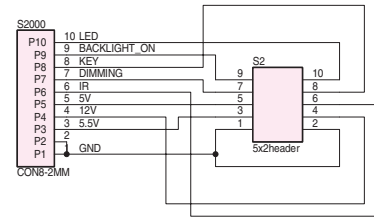
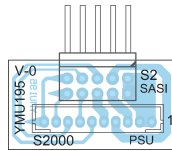
### Adapter VEX193

Ansicht von der Bestückungsseite  
View of Component Side



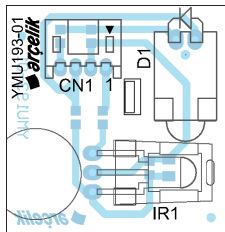
### Adapter YMU195

Ansicht von der Bestückungsseite  
View of Component Side

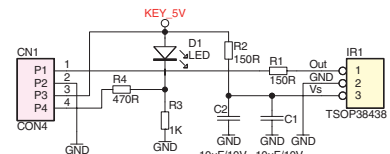
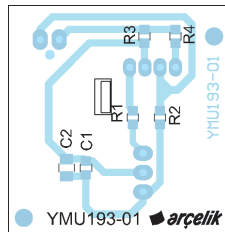


### IR-LED-Platte / Board YMU193

Ansicht von der Bestückungsseite  
View of Component Side

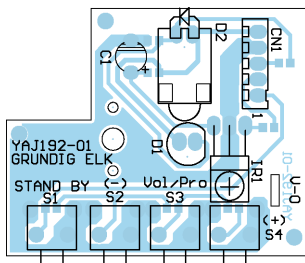


Ansicht von der Lötseite  
View of Solder Side

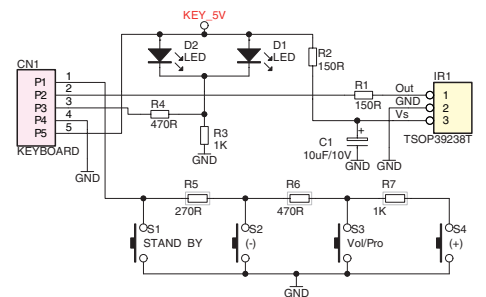
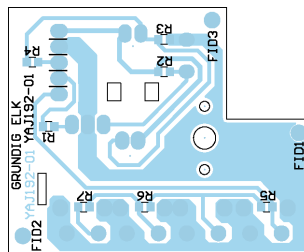


### Keyboard YAJ192

Ansicht von der Bestückungsseite  
View of Component Side

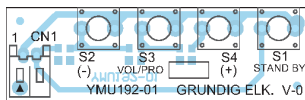


Ansicht von der Lötseite  
View of Solder Side

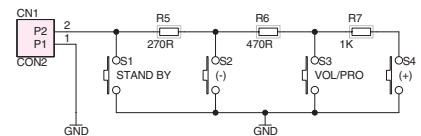
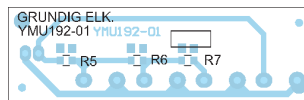


### Keyboard YMU192

Ansicht von der Bestückungsseite  
View of Component Side

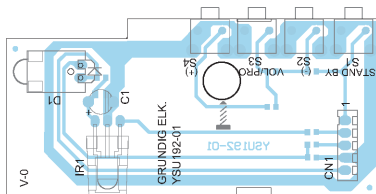


Ansicht von der Lötseite  
View of Solder Side

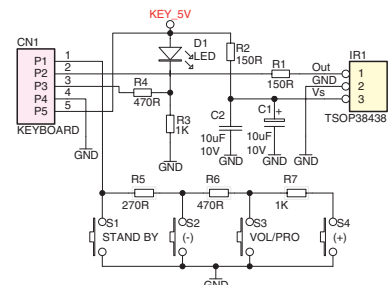
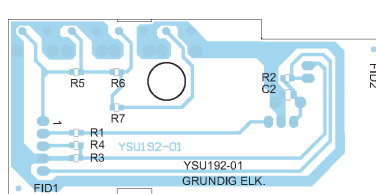


### Keyboard YSU192

Ansicht von der Bestückungsseite  
View of Component Side

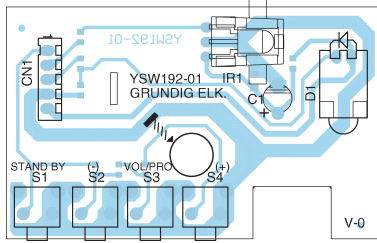


Ansicht von der Lötseite  
View of Solder Side

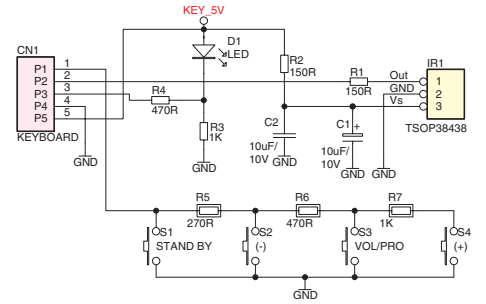
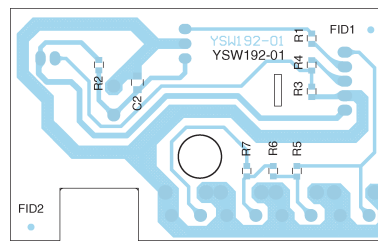


### Keyboard YSW192

Ansicht von der Bestückungsseite  
View of Component Side

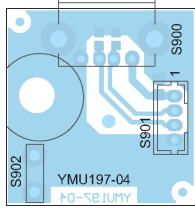


Ansicht von der Lötseite  
View of Solder Side

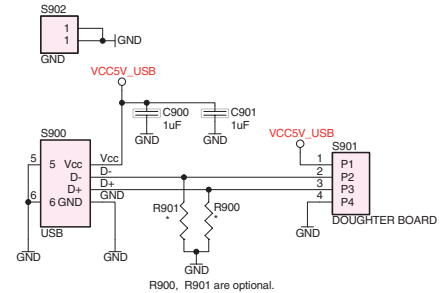
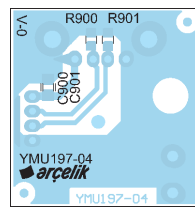


### USB-Platte / Board YMU197

Ansicht von der Bestückungsseite  
View of Component Side

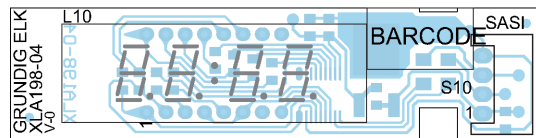


Ansicht von der Lötseite  
View of Solder Side

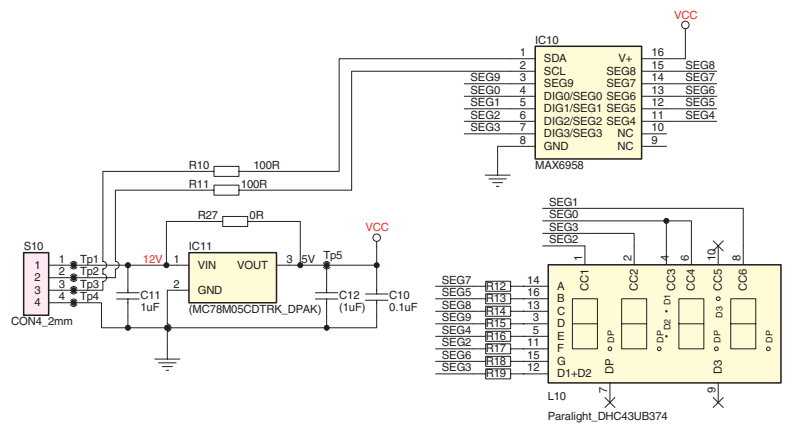
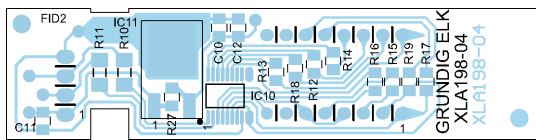


### Uhr / Clock XLA198

Ansicht von der Bestückungsseite / View of Component Side



Ansicht von der Lötseite / View of Solder Side



Ersatzteilliste  
Spare Parts List

NUR FÜR INTERNEN GEBRAUCH  
FOR INTERNAL USE ONLY

TV

7 / 2010

19 VLE 2000 T

BESTELL-NR. / ORDER NO.: GBI0419 (HMJ)

POS. NR. POS. NO.	ABB. FIG.	MATERIAL-NR. PART NUMBER	ANZ. QTY.	BEZEICHNUNG (D)	DESCRIPTION (GB)
		GBI0419		19 VLE 2000 T PRODUKTCODE HMJ KEIN E-TEIL	19 VLE 2000 T PRODUCT CODE HMJ NO SPARE PART
				<b>Hinweis:</b> Sollte in dieser Ersatzteilliste Ihr "Product Code" oder Ihre Display-Variante nicht aufgeführt sein, finden Sie eine aktualisierte Version auf dem GRUNDIG Service-Portal " <a href="http://service.grundig.de">http://service.grundig.de</a> ".	<b>Note:</b> If your "Product Code" or display variant is not mentioned in the spare parts list, please look for a current version at the GRUNDIG service portal " <a href="http://service.grundig.de">http://service.grundig.de</a> ".
0001.000		759551494000		GEH.-VORDERTEIL SCHWARZ	FRONT CABINET BLACK
0002.000		759551546500		RUECKWAND SCHWARZ	BACK COVER BLACK
0005.000		759551493800		FUSS SCHWARZ	FOOT BLACK
0007.000		759551493600		KNOPF PROG./ON-OFF SCHWARZ	KNOB PROG./ON-OFF BLACK
0015.000		759551493300		LAUTSPRECHER 16 OHM 3/5	LOUDSPEAKER 16 OHM 3/5
0020.000	△	759551546600		LCD-DISPLAY M185XW01 V6*1	LCD-DISPLAY M185XW01 V6*1
0020.000	△	759551546900		LCD-DISPLAY LC185EXN-SCA1*2	LCD-DISPLAY LC185EXN-SCA1*2
0021.000		759551546700		LVDS-KABEL 30P 1MM L=120MM	LVDS-CABLE 30P 1MM L=120MM
0022.000	△	759551350200		NETZKABEL 150 CM	POWER CABLE 150 CM
0023.000	△	275990310900	X	LP-NETZTEILMODUL 18.5 T5 LEDTV*1	POWER BOARD 18.5 T5 LEDTV*1
0023.000	△	275990311000	X	LP-NETZTEILMODUL 18.5 T5 LEDTV*2	POWER BOARD 18.5 T5 LEDTV*2
0025.000	△	275991112600	X	LP-CHASSISMODUL T5 (C1Y)*1	CHASSISBOARD T5 (C1Y)*1
0025.000	△	275991112700	X	LP-CHASSISMODUL T5 (MHJ)*2	CHASSISBOARD T5 (MHJ)*2
0027.000		720117145700		FERNBEDIENUNG RC 23	REMOTE CONTROL RC 23
0030.000		759550451400		TASTSCHALTER	KEY SWITCH
0032.000		759551504200		IR-EMPFÄNGER TSOP38438	IR RECEIVER TSOP38438
0033.000		759551541500		LED BLAU 5MM 3,5 V	LED BLUE 5MM 3,5 V
0090.000		759551493700		KARTON	CARTON
0091.000		759551493400		POLSTER OBEN	CUSHION TOP
0092.000		759551493500		POLSTER BODEN	CUSHION BOTTOM
				DIE BEDIENUNGSANLEITUNG KOENNEN SIE IM INTERNET UNTER FOLGENDER ADRESSE ABRUFEN: WWW.GRUNDIG.DE MENU: DOWNLOADS	THE INSTRUCTION MANUAL CAN BE DOWNLOADED FROM THE INTERNET UNDER THE FOLLOWING ADDRESS: WWW.GRUNDIG.DE MENU: DOWNLOADS
		720100546000		SERVICE MANUAL D/GB	SERVICE MANUAL D/GB
		720108000001		SICHERHEITSMANUAL D/GB/E/F/I	SAFETY SERVICE MANUAL D/GB/E/F/I
				X = SIEHE GESONDERTE E-LISTE	X = SEE SEPARATE PARTS LIST

Es gelten die Vorschriften und Sicherheitshinweise gemäß dem Service Manual "Sicherheit", Mat.-Nummer 720108000001, sowie zusätzlich die eventuell abweichenden, landesspezifischen Vorschriften!



The regulations and safety instructions shall be valid as provided by the "Safety" Service Manual, part number 720108000001, as well as the respective national deviations.

ÄNDERUNGEN VORBEHALTEN / SUBJECT TO ALTERATION

Ersatzteilliste  
Spare Parts List

NUR FÜR INTERNEN GEBRAUCH  
FOR INTERNAL USE ONLY

TV

7 / 2010

22 VLE 2000 C

BESTELL-NR. / ORDER NO.: GBI0222 (EHB)

POS. NR. POS. NO.	ABB. FIG.	MATERIAL-NR. PART NUMBER	ANZ. QTY.	BEZEICHNUNG (D)	DESCRIPTION (GB)
		GBI0222		22 VLE 2000 C PRODUKTCODE EHB KEIN E-TEIL	22 VLE 2000 C PRODUCT CODE EHB NO SPARE PART
				<b>Hinweis:</b> Sollte in dieser Ersatzteilliste Ihr "Product Code" oder Ihre Display-Variante nicht aufgeführt sein, finden Sie eine aktualisierte Version auf dem GRUNDIG Service-Portal " <a href="http://service.grundig.de">http://service.grundig.de</a> ".	<b>Note:</b> If your "Product Code" or display variant is not mentioned in the spare parts list, please look for a current version at the GRUNDIG service portal " <a href="http://service.grundig.de">http://service.grundig.de</a> ".
0001.000		759551494600		GEH.-VORDERTEIL SCHWARZ	FRONT CABINET BLACK
0002.000		759551546300		RUECKWAND SCHWARZ	BACK COVER BLACK
0005.000		759551493800		FUSS SCHWARZ	FOOT BLACK
0007.000		759551493600		KNOPF PROG./ON-OFF SCHWARZ	KNOB PROG./ON-OFF BLACK
0015.000		759551494700		LAUTSPRECHER 16 OHM 5/7	LOUDSPEAKER 16 OHM 5/7
0020.000	△	759551546400		LCD-DISPLAY LC216EXN-SCA1	LCD-DISPLAY LC216EXN-SCA1
0021.000		759551494800		DISPLAY KABEL LVDS 30P 120MM	DISPLAY CABLE LVDS 30P 120MM
0022.000	△	759551350200		NETZKABEL 150 CM	POWER CABLE 150 CM
0023.000	△	275990310800	X	LP-NETZTEILMODUL 21.6 T5 LED	POWER BOARD 21.6 T5 LED
0025.000	△	275991116900	X	LP-CHASSISMODUL T5 (C1J)	CHASSISBOARD T5 (C1J)
0027.000		720117145700		FERNBEDIENUNG RC 23	REMOTE CONTROL RC 23
0030.000		759550451400		TASTSCHALTER	KEY SWITCH
0031.000		275990230000		LP-TT/IR/LED MODUL T6	TT/IR/LED BOARD T6
0032.000		759551504200		IR-EMPFÄNGER TSOP38438	IR RECEIVER TSOP38438
0033.000		759551541500		LED BLAU 5MM 3,5 V	LED BLUE 5MM 3,5 V
0090.000		759551495200		KARTON	CARTON
0091.000		759551495400		POLSTER BODEN	CUSHION BOTTOM
0092.000		759551495300		POLSTER OBEN	CUSHION TOP
				DIE BEDIENUNGSANLEITUNG KOENNEN SIE IM INTERNET UNTER FOLGENDER ADRESSE ABRUFEN: WWW.GRUNDIG.DE MENU: DOWNLOADS	THE INSTRUCTION MANUAL CAN BE DOWNLOADED FROM THE INTERNET UNDER THE FOLLOWING ADDRESS: WWW.GRUNDIG.DE MENU: DOWNLOADS
		720100546000		SERVICE MANUAL D/GB	SERVICE MANUAL D/GB
		720108000001		SICHERHEITSMANUAL D/GB/E/F/I	SAFETY SERVICE MANUAL D/GB/E/F/I
				X = SIEHE GESONDERTE E-LISTE	X = SEE SEPARATE PARTS LIST

Es gelten die Vorschriften und Sicherheitshinweise gemäß dem Service Manual "Sicherheit", Mat.-Nummer 720108000001, sowie zusätzlich die eventuell abweichenden, landesspezifischen Vorschriften!



The regulations and safety instructions shall be valid as provided by the "Safety" Service Manual, part number 720108000001, as well as the respective national deviations.

ÄNDERUNGEN VORBEHALTEN / SUBJECT TO ALTERATION



Ersatzteilliste  
Spare Parts List

NUR FÜR INTERNEN GEBRAUCH  
FOR INTERNAL USE ONLY

TV

7 / 2010

22 VLE 2000 C

BESTELL-NR. / ORDER NO.: GBI0322 (HMR)

POS. NR. POS. NO.	ABB. FIG.	MATERIAL-NR. PART NUMBER	ANZ. QTY.	BEZEICHNUNG (D)	DESCRIPTION (GB)
		GBI0322		22 VLE 2000 C PRODUKTCODE HMR KEIN E-TEIL	22 VLE 2000 C PRODUCT CODE HMR NO SPARE PART
				<b>Hinweis:</b> Sollte in dieser Ersatzteilliste Ihr "Product Code" oder Ihre Display-Variante nicht aufgeführt sein, finden Sie eine aktualisierte Version auf dem GRUNDIG Service-Portal " <a href="http://service.grundig.de">http://service.grundig.de</a> ".	<b>Note:</b> If your "Product Code" or display variant is not mentioned in the spare parts list, please look for a current version at the GRUNDIG service portal " <a href="http://service.grundig.de">http://service.grundig.de</a> ".
0001.000		759551518800		GEH.-VORDERTEIL WEISS	FRONT CABINET WHITE
0002.000		759551550200		RUECKWAND WEISS	BACK COVER WHITE
0005.000		759551526800		FUSS SILBER	FOOT SILVER
0007.000		759551550300		KNOPF PRG./ON-OFF WEISS	KNOB PRG./ON-OFF WHITE
0015.000		759551494700		LAUTSPRECHER 16 OHM 5/7	LOUDSPEAKER 16 OHM 5/7
0020.000		759551550400		LCD-DISPLAY LC216EXN-SCA1	LCD-DISPLAY LC216EXN-SCA1
0021.000		759551494800		DISPLAY KABEL LVDS 30P 120MM	DISPLAY CABLE LVDS 30P 120MM
0022.000	△	759551350200		NETZKABEL 150 CM	POWER CABLE 150 CM
0023.000	△	275990310800	X	LP-NETZTEILMODUL 21.6 T5 LED	POWER BOARD 21.6 T5 LED
0025.000	△	275991116600	X	LP-CHASSISMODUL T5 (EHB)	CHASSISBOARD T5 (EHB)
0027.000		720117145700		FERNBEDIENUNG RC 23	REMOTE CONTROL RC 23
0030.000		759550451400		TASTSCHALTER	KEY SWITCH
0031.000		275990230000		LP-TT/IR/LED MODUL T6	TT/IR/LED BOARD T6
0032.000		759551504200		IR-EMPFÄNGER TSOP38438	IR RECEIVER TSOP38438
0033.000		759551541500		LED BLAU 5MM 3,5 V	LED BLUE 5MM 3,5 V
0090.000		759551495200		KARTON	CARTON
0091.000		759551495300		POLSTER OBEN	CUSHION TOP
0092.000		759551495400		POLSTER BODEN	CUSHION BOTTOM
				DIE BEDIENUNGSANLEITUNG KOENNEN SIE IM INTERNET UNTER FOLGENDER ADRESSE ABRUFEN: WWW.GRUNDIG.DE MENU: DOWNLOADS	THE INSTRUCTION MANUAL CAN BE DOWNLOADED FROM THE INTERNET UNDER THE FOLLOWING ADDRESS: WWW.GRUNDIG.DE MENU: DOWNLOADS
		720100546000 720108000001		SERVICE MANUAL D/GB SICHERHEITSMANUAL D/GB/E/F/I	SERVICE MANUAL D/GB SAFETY SERVICE MANUAL D/GB/E/F/I
				X = SIEHE GESONDERTE E-LISTE	X = SEE SEPARATE PARTS LIST

Es gelten die Vorschriften und Sicherheitshinweise gemäß dem Service Manual "Sicherheit", Mat.-Nummer 720108000001, sowie zusätzlich die eventuell abweichenden, landesspezifischen Vorschriften!



The regulations and safety instructions shall be valid as provided by the "Safety" Service Manual, part number 720108000001, as well as the respective national deviations.

ÄNDERUNGEN VORBEHALTEN / SUBJECT TO ALTERATION

Ersatzteilliste  
Spare Parts List

NUR FÜR INTERNEN GEBRAUCH  
FOR INTERNAL USE ONLY

TV

7 / 2010

22 VLE 2000 T

BESTELL-NR. / ORDER NO.: GBI0522 (HMH,HMK)

POS. NR. POS. NO.	ABB. FIG.	MATERIAL-NR. PART NUMBER	ANZ. QTY.	BEZEICHNUNG (D)	DESCRIPTION (GB)
		GBI0522		22 VLE 2000 T PRODUKTCODE HMH KEIN E-TEIL	22 VLE 2000 T PRODUCT CODE HMH NO SPARE PART
				<b>Hinweis:</b> Sollte in dieser Ersatzteilliste Ihr "Product Code" oder Ihre Display-Variante nicht aufgeführt sein, finden Sie eine aktualisierte Version auf dem GRUNDIG Service-Portal " <a href="http://service.grundig.de">http://service.grundig.de</a> ".	<b>Note:</b> If your "Product Code" or display variant is not mentioned in the spare parts list, please look for a current version at the GRUNDIG service portal " <a href="http://service.grundig.de">http://service.grundig.de</a> ".
0001.000		759551494600		GEH.-VORDERTEIL SCHWARZ	FRONT CABINET BLACK
0002.000		759551546300		RUECKWAND SCHWARZ	BACK COVER BLACK
0005.000		759551518100		FUSS SCHWARZ	FOOT BLACK
0007.000		759551493600		KNOPF PROG./ON-OFF SCHWARZ	KNOB PROG./ON-OFF BLACK
0015.000		759551494700		LAUTSPRECHER 16 OHM 5/7 W	LOUDSPEAKER 16 OHM 5/7 W
0020.000	△	759551546400		LCD-DISPLAY LC216EXN-SCA1	LCD-DISPLAY LC216EXN-SCA1
0021.000		759551494800		DISPLAY KABEL LVDS 30P 120MM	DISPLAY CABLE LVDS 30P 120MM
0022.000	△	759551350200		NETZKABEL 150 CM	POWER CABLE 150 CM
0023.000	△	275990310800	X	LP-NETZTEILMODUL 21.6 T5 LED	POWER BOARD 21.6 T5 LED
0025.000	△	275991112500	X	LP-CHASSISMODUL T5 (B9R)	CHASSISBOARD T5 (B9R)
0027.000		720117145700		FERNBEDIENUNG RC 23	REMOTE CONTROL RC 23
0029.000		275990230000		LP-TT/IR/LED MODUL T6	TT/IR/LED BOARD T6
0030.000		759550451400		TASTSCHALTER	KEY SWITCH
0032.000		759551504200		IR-EMPFÄNGER TSOP38438	IR RECEIVER TSOP38438
0033.000		759551541500		LED BLAU 5MM 3,5 V	LED BLUE 5MM 3,5 V
0090.000		759551495200		KARTON	CARTON
0091.000		759551495300		POLSTER OBEN	CUSHION TOP
0092.000		759551495400		POLSTER BODEN	CUSHION BOTTOM
				DIE BEDIENUNGSANLEITUNG KOENNEN SIE IM INTERNET UNTER FOLGENDER ADRESSE ABRUFEN: WWW.GRUNDIG.DE MENU: DOWNLOADS	THE INSTRUCTION MANUAL CAN BE DOWNLOADED FROM THE INTERNET UNDER THE FOLLOWING ADDRESS: WWW.GRUNDIG.DE MENU: DOWNLOADS
		720100546000 720108000001		SERVICE MANUAL D/GB SICHERHEITSMANUAL D/GB/E/F/I	SERVICE MANUAL D/GB SAFETY SERVICE MANUAL D/GB/E/F/I
				X = SIEHE GESONDERTE E-LISTE	X = SEE SEPARATE PARTS LIST

		GBI0522		22 VLE 2000 T PRODUKTCODE HMK KEIN E-TEIL	22 VLE 2000 T PRODUCT CODE HMK NO SPARE PART
0001.000		759551494600		GEH.-VORDERTEIL SCHWARZ	FRONT CABINET BLACK
0002.000		759551546300		RUECKWAND SCHWARZ	BACK COVER BLACK
0005.000		759551518100		FUSS SCHWARZ	FOOT BLACK
0007.000		759551493600		KNOPF PROG./ON-OFF SCHWARZ	KNOB PROG./ON-OFF BLACK
0015.000		759551494700		LAUTSPRECHER 16 OHM 5/7 W	LOUDSPEAKER 16 OHM 5/7 W
0020.000	△	759551546400		LCD-DISPLAY LPL LC216EXN-SCA1	LCD-DISPLAY LPL LC216EXN-SCA1
0021.000		759551494800		DISPLAY KABEL LVDS 30P 120MM	DISPLAY CABLE LVDS 30P 120MM
0022.000	△	759551350200		NETZKABEL 150 CM	POWER CABLE 150 CM
0023.000	△	275990310800	X	LP-NETZTEILMODUL 21.6 T5 LED	POWER BOARD 21.6 T5 LED
0025.000	△	275991112500	X	LP-CHASSISMODUL T5 (B9R)	CHASSISBOARD T5 (B9R)
0027.000		720117145700		FERNBEDIENUNG RC 23	REMOTE CONTROL RC 23

ÄNDERUNGEN VORBEHALTEN / SUBJECT TO ALTERATION

POS. NR. ABB. POS. NO. FIG.	MATERIAL-NR. PART NUMBER	ANZ. QTY.	BEZEICHNUNG (D)	DESCRIPTION (GB)
0029.000	275990230000		LP-TT/IR/LED MODUL T6	TT/IR/LED BOARD T6
0030.000	759550451400		TASTSCHALTER	KEY SWITCH
0032.000	759551504200		IR-EMPFÄNGER TSOP38438	IR RECEIVER TSOP38438
0033.000	759551541500		LED BLAU 5MM 3,5 V	LED BLUE 5MM 3,5 V
0090.000	759551495200		KARTON	CARTON
0091.000	759551495300		POLSTER OBEN	CUSHION TOP
0092.000	759551495400		POLSTER BODEN	CUSHION BOTTOM
			DIE BEDIENUNGSANLEITUNG KOENNEN SIE IM INTERNET UNTER FOLGENDER ADRESSE ABRUFEN: WWW.GRUNDIG.DE MENU: DOWNLOADS	THE INSTRUCTION MANUAL CAN BE DOWNLOADED FROM THE INTERNET UNDER THE FOLLOWING ADDRESS: WWW.GRUNDIG.DE MENU: DOWNLOADS
	720100546000		SERVICE MANUAL D/GB	SERVICE MANUAL D/GB
	720108000001		SICHERHEITSMANUAL D/GB/E/F/I	SAFETY SERVICE MANUAL D/GB/E/F/I
			X = SIEHE GESONDERTE E-LISTE	X = SEE SEPARATE PARTS LIST

Ersatzteilliste  
Spare Parts List

NUR FÜR INTERNEN GEBRAUCH  
FOR INTERNAL USE ONLY

TV

6 / 2010

22-2010 T/C

POS. NR. ABB. POS. NO. FIG.	MATERIAL-NR. PART NUMBER	ANZ. QTY.	BEZEICHNUNG (D)	DESCRIPTION (GB)
				BESTELL-NR. / ORDER NO.: GBI0022 (CD1)
	GBI0022		22-2010 T/C BLACK PRODUKTCODE CD1 KEIN E-TEIL	22-2010 T/C BLACK PRODUCT CODE CD1 NO SPARE PART
			<b>Hinweis:</b> Sollte in dieser Ersatzteilliste Ihr "Product Code" oder Ihre Display-Variante nicht aufgeführt sein, finden Sie eine aktualisierte Version auf dem GRUNDIG Service-Portal " <a href="http://service.grundig.de">http://service.grundig.de</a> ".	<b>Note:</b> If your "Product Code" or display variant is not mentioned in the spare parts list, please look for a current version at the GRUNDIG service portal " <a href="http://service.grundig.de">http://service.grundig.de</a> ".
0001.000	759551494600		GEH.-VORDERTEIL SCHWARZ	FRONT CABINET BLACK
0002.000	759551495000		RUECKWAND SCHWARZ	BACK COVER BLACK
0005.000	759551493800		FUSS SCHWARZ	FOOT BLACK
0006.000	759551507600		FUSS ZWISCHENSTUECK SCHWARZ	FOOT MIDDLE PART BLACK
0007.000	759551493600		KNOPF PROG./ON-OFF SCHWARZ	KNOB PROG./ON-OFF BLACK
0015.000	759551494700		LAUTSPRECHER 16 OHM 5/7 W	LOUDSPEAKER 16 OHM 5/7 W
0020.000	759551505800		LCD-DISPLAY T216XW01 V100*1	LCD-DISPLAY T216XW01 V100*1
0020.000	759551538700		LCD-DISPLAY LC220WXE-TBA1*2	LCD-DISPLAY LC220WXE-TBA1*2
0020.000	759551518200		LCD-DISPLAY LTA216AT01-S04*3	LCD-DISPLAY LTA216AT01-S04*3
0020.000	759551541700		LCD-DISPLAY LTA216AT01-S05*4	LCD-DISPLAY LTA216AT01-S05*4
0021.000	759551494800		DISPLAY KABEL LVDS 120MM*1/*2*	DISPLAY CABLE LVDS 120MM*1/*2*
0021.000	759551538600		DISPLAY KABEL LVDS 120MM*3/*4	DISPLAY CABLE LVDS 120MM*3/*4
0022.000	759551350200		NETZKABEL 150 CM	POWER CABLE 150 CM
0023.000	275990308500	X	LP-NETZTEILMODUL 21.6 T5/T6/D6*1	POWER BOARD 21.6 T5/T6/D6 *1
0023.000	275990310500	X	LP-NETZTEILMODUL 21.6 T5*2	POWER BOARD 21.6 T5*2
0023.000	275990310100	X	LP-NETZTEILMODUL 21.6 SS2*3/*4	POWER BOARD 21.6 SS2*3/*4
0025.000	275991109100	X	LP-CHASSISMODUL T5 (B8P)*1	CHASSISBOARD T5 (B8P)*1
0025.000	275991105700	X	LP-CHASSISMODUL T5 (B7T)*2	CHASSISBOARD T5 (B7T)*2
0025.000	275991105600	X	LP-CHASSISMODUL T5 (CD1)*3	CHASSISBOARD T5 (CD1)*3
0025.000	275991109200	X	LP-CHASSISMODUL T5 (B8R)*4	CHASSISBOARD T5 (B8R)*4
0027.000	720117145700		FERNBEDIENUNG RC 23	REMOTE CONTROL RC 23
0030.000	759550451400		TASTSCHALTER	KEY SWITCH
0031.000	275990230000		LP-TT/IR/LED MODUL T6	TT/IR/LED BOARD T6
0032.000	759551504200		IR-EMPFÄNGER TSOP38438	IR RECEIVER TSOP38438
0033.000	759551541500		LED 5MM 3,5 V	LED 5MM 3,5 V
0090.000	759551495200		KARTON	CARTON
0091.000	759551495300		POLSTER OBEN	CUSHION TOP
0092.000	759551495400		POLSTER BODEN	CUSHION BOTTOM
			DIE BEDIENUNGSANLEITUNG KOENNEN SIE IM INTERNET UNTER FOLGENDER ADRESSE ABRUFEN: WWW.GRUNDIG.DE MENU: DOWNLOADS	THE INSTRUCTION MANUAL CAN BE DOWNLOADED FROM THE INTERNET UNDER THE FOLLOWING ADDRESS: WWW.GRUNDIG.DE MENU: DOWNLOADS
	720100546000		SERVICE MANUAL D/GB	SERVICE MANUAL D/GB
	720108000001		SICHERHEITSMANUAL D/GB/E/F/I	SAFETY SERVICE MANUAL D/GB/E/F/I
			X = SIEHE GESONDERTE E-LISTE	X = SEE SEPARATE PARTS LIST

Es gelten die Vorschriften und Sicherheitshinweise gemäß dem Service Manual "Sicherheit", Mat.-Nummer 720108000001, sowie zusätzlich die eventuell abweichenden, landesspezifischen Vorschriften!



The regulations and safety instructions shall be valid as provided by the "Safety" Service Manual, part number 720108000001, as well as the respective national deviations.

ÄNDERUNGEN VORBEHALTEN / SUBJECT TO ALTERATION

Es gelten die Vorschriften und Sicherheitshinweise gemäß dem Service Manual "Sicherheit", Mat.-Nummer 720108000001, sowie zusätzlich die eventuell abweichenden, landesspezifischen Vorschriften!



The regulations and safety instructions shall be valid as provided by the "Safety" Service Manual, part number 720108000001, as well as the respective national deviations.

ÄNDERUNGEN VORBEHALTEN / SUBJECT TO ALTERATION

Ersatzteilliste  
Spare Parts List

NUR FÜR INTERNEN GEBRAUCH  
FOR INTERNAL USE ONLY

TV

12 / 2009

HAMBURG 22-2940 T

BESTELL-NR. / ORDER NO.: GBH8722 (GWJ)

POS. NR. POS. NO.	ABB. FIG.	MATERIAL-NR. PART NUMBER	ANZ. QTY.	BEZEICHNUNG (D)	DESCRIPTION (GB)
		GBH8722		HAMBURG 22-2940 T PRODUKTCODE GWJ KEIN E-TEIL	HAMBURG 22-2940 T PRODUCT CODE GWJ NO SPARE PART
				<b>Hinweis:</b> Sollte in dieser Ersatzteilliste Ihr "Product Code" oder Ihre Display-Variante nicht aufgeführt sein, finden Sie eine aktualisierte Version auf dem GRUNDIG Service-Portal <a href="http://service.grundig.de">"http://service.grundig.de"</a> .	<b>Note:</b> If your "Product Code" or display variant is not mentioned in the spare parts list, please look for a current version at the GRUNDIG service portal <a href="http://service.grundig.de">"http://service.grundig.de"</a> .
0001.000		759551506800		GEH.-VORDERTEIL SCHWARZ	FRONT CABINET BLACK
0002.000		759551495000		RUECKWAND SCHWARZ	BACK COVER BLACK
0005.000		759551518100		FUSS SCHWARZ	FOOT BLACK
0006.000		759551507600		FUSS ZWISCHENSTUECK SCHWARZ	FOOT MIDDLE PART BLACK
0007.000		759551493600		KNOPF PROG./ON-OFF SCHWARZ	KNOB PROG./ON-OFF BLACK
0015.000		759551494700		LAUTSPRECHER 16 OHM 5/7 W 33X14	LOUDSPEAKER 16 OHM 5/7 W 33X14
0020.000	△	759551494900		LCD-DISPLAY LC220WXE-TBA1*1	LCD-DISPLAY LC220WXE-TBA1*1
0020.000	△	759551495500		LCD-DISPLAY LTA216AT01-002*2	LCD-DISPLAY LTA216AT01-002*2
0021.000		759551494800		DISPLAY KABEL LVDS 30P 120MM	DISPLAY CABLE LVDS 30P 120MM
0022.000	△	759551350200		NETZKABEL 150 CM	POWER CABLE 150 CM
0023.000	△	275990308500	X	LP-NETZTEILMODUL 21.6 T5/T6/D6	POWER BOARD 21.6 T5/T6/D6
0025.000	△	275991081800	X	LP-CHASSISMODUL T5 (GWJ)*1	LP-CHASSISBOARD T5 (GWJ)*1
0025.000	△	275991081900	X	LP-CHASSISMODUL T5 (G1N)*2	LP-CHASSISBOARD T5 (G1N)*2
0027.000		720117145200		FERNBEDIENUNG RC 23	REMOTE CONTROL RC 23
0029.000		275990230000		LP-TT/IR/LED MODUL T6	TT/IR/LED BOARD T6
0030.000		759550451400		TASTSCHALTER	KEY SWITCH
0031.000		759551504200		IR-EMPPFAENGER TSOP38438	IR RECEIVER TSOP38438
0032.000		275990209900		LP-UHRENMODUL	LP-CLOCKBOARD
0090.000		759551495200		KARTON	CARTON
0091.000		759551495300		POLSTER OBEN	CUSHION TOP
0092.000		759551495400		POLSTER BODEN	CUSHION BOTTOM
				DIE BEDIENUNGSANLEITUNG KOENNEN SIE IM INTERNET UNTER FOLGENDER ADRESSE ABRUFEN: WWW.GRUNDIG.DE MENU: DOWNLOADS	THE INSTRUCTION MANUAL CAN BE DOWNLOADED FROM THE INTERNET UNDER THE FOLLOWING ADDRESS: WWW.GRUNDIG.COM MENU: DOWNLOADS
		720100546000		SERVICE MANUAL D/GB	SERVICE MANUAL D/GB
		720108000001		SICHERHEITSMANUAL D/GB/E/F/I	SAFETY SERVICE MANUAL D/GB/E/F/I
				X = SIEHE GESONDERTE E-LISTE	X = SEE SEPARATE PARTS LIST

3-4

Es gelten die Vorschriften und Sicherheitshinweise gemäß dem Service Manual "Sicherheit", Mat.-Nummer 720108000001, sowie zusätzlich die eventuell abweichenden, landesspezifischen Vorschriften!



The regulations and safety instructions shall be valid as provided by the "Safety" Service Manual, part number 720108000001, as well as the respective national deviations.

ÄNDERUNGEN VORBEHALTEN / SUBJECT TO ALTERATION

Ersatzteilliste  
Spare Parts List

NUR FÜR INTERNEN GEBRAUCH  
FOR INTERNAL USE ONLY

TV

7 / 2010

HAMBURG 22-2942 T/C

BESTELL-NR. / ORDER NO.: GBI8022 (HTT)

POS. NR. POS. NO.	ABB. FIG.	MATERIAL-NR. PART NUMBER	ANZ. QTY.	BEZEICHNUNG (D)	DESCRIPTION (GB)
		GBI8022		HAMBURG 22-2942 T/C PRODUKTCODE HTT KEIN E-TEIL	HAMBURG 22-2942 T/C PRODUCT CODE HTT NO SPARE PART
				<b>Hinweis:</b> Sollte in dieser Ersatzteilliste Ihr "Product Code" oder Ihre Display-Variante nicht aufgeführt sein, finden Sie eine aktualisierte Version auf dem GRUNDIG Service-Portal <a href="http://service.grundig.de">"http://service.grundig.de"</a> .	<b>Note:</b> If your "Product Code" or display variant is not mentioned in the spare parts list, please look for a current version at the GRUNDIG service portal <a href="http://service.grundig.de">"http://service.grundig.de"</a> .
0001.000		759551506800		GEH.-VORDERTEIL SCHWARZ	FRONT CABINET BLACK
0002.000		759551495000		RUECKWAND SCHWARZ	BACK COVER BLACK
0005.000		759551493800		FUSS SCHWARZ	FOOT BLACK
0007.000		759551493600		KNOPF PROG./ON-OFF SCHWARZ	KNOB PROG./ON-OFF BLACK
0015.000		759551494700		LAUTSPRECHER 16 OHM 5/7 W	LOUDSPEAKER 16 OHM 5/7 W
0020.000	△	759551505800		LCD-DISPLAY T216XW01 V100	LCD-DISPLAY T216XW01 V100
0021.000		759551494800		DISPLAY KABEL LVDS 30P 120MM	DISPLAY CABLE LVDS 30P 120MM
0022.000	△	759551350200		NETZKABEL 150 CM	POWER CABLE 150 CM
0023.000	△	275990209900	X	LP-NETZTEILMODUL 21.6 T5/T6/D6	LP-NETZTEILMODUL 21.6 T5/T6/D6
0024.000		275990209900		LP-UHRENMODUL	LP-UHRENMODUL
0025.000	△	275991113300	X	LP-CHASSISMODUL T5 (B9Z)	LP-CHASSISMODUL T5 (B9Z)
0027.000		720117145700		FERNBEDIENUNG RC 23	REMOTE CONTROL RC 23
0030.000		759550451400		TASTSCHALTER	KEY SWITCH
0031.000		275990230000		LP-TT/IR/LED MODUL T6	TT/IR/LED BOARD T6
0032.000		759551504200		IR-EMPPFAENGER TSOP38438	IR RECEIVER TSOP38438
0033.000		759551541500		LED BLAU 5MM 3,5 V	LED BLUE 5MM 3,5 V
0090.000		759551495200		KARTON	CARTON
0091.000		759551495300		POLSTER OBEN	CUSHION TOP
0092.000		759551495400		POLSTER BODEN	CUSHION BOTTOM
				DIE BEDIENUNGSANLEITUNG KOENNEN SIE IM INTERNET UNTER FOLGENDER ADRESSE ABRUFEN: WWW.GRUNDIG.DE MENU: DOWNLOADS	THE INSTRUCTION MANUAL CAN BE DOWNLOADED FROM THE INTERNET UNDER THE FOLLOWING ADDRESS: WWW.GRUNDIG.DE MENU: DOWNLOADS
		720100546000		SERVICE MANUAL D/GB	SERVICE MANUAL D/GB
		720108000001		SICHERHEITSMANUAL D/GB/E/F/I	SAFETY SERVICE MANUAL D/GB/E/F/I
				X = SIEHE GESONDERTE E-LISTE	X = SEE SEPARATE PARTS LIST

Es gelten die Vorschriften und Sicherheitshinweise gemäß dem Service Manual "Sicherheit", Mat.-Nummer 720108000001, sowie zusätzlich die eventuell abweichenden, landesspezifischen Vorschriften!



The regulations and safety instructions shall be valid as provided by the "Safety" Service Manual, part number 720108000001, as well as the respective national deviations.

ÄNDERUNGEN VORBEHALTEN / SUBJECT TO ALTERATION

Ersatzteilliste  
Spare Parts List

NUR FÜR INTERNEN GEBRAUCH  
FOR INTERNAL USE ONLY

TV

Ersatzteilliste  
Spare Parts List

NUR FÜR INTERNEN GEBRAUCH  
FOR INTERNAL USE ONLY

TV

1 / 2010

LEEMAXX 19 HD BR

7 / 2010

LEEMAXX 19 HD WP

BESTELL-NR. / ORDER NO.: GBH4922 (HGH)

BESTELL-NR. / ORDER NO.: GBI4819 (HSR, HHT)

POS. NR. POS. NO.	ABB. FIG.	MATERIAL-NR. PART NUMBER	ANZ. QTY.	BEZEICHNUNG (D)	DESCRIPTION (GB)
		GBH4922		LEEMAXX 19 HD BR PRODUKTCODE HGH KEIN E-TEIL	LEEMAXX 19 HD BR PRODUKT CODE HGH NO SPARE PART
				<b>Hinweis:</b> Sollte in dieser Ersatzteilliste Ihr "Product Code" oder Ihre Display-Variante nicht aufgeführt sein, finden Sie eine aktualisierte Version auf dem GRUNDIG Service-Portal <a href="http://service.grundig.de">"http://service.grundig.de"</a> .	<b>Note:</b> If your "Product Code" or display variant is not mentioned in the spare parts list, please look for a current version at the GRUNDIG service portal <a href="http://service.grundig.de">"http://service.grundig.de"</a> .
0001.000		759551529900		GEH.- VORDERTEIL ROT	FRONT CABINET RED
0002.000		759551514800		RUECKWAND SCHWARZ	BACK COVER BLACK
0003.000		759551521800		ABDECKUNG SCHWARZ	COVER BLACK
0015.000		759551520000		LAUTSPRECHER 16R 3W/5W 60X29	LOUDSPEAKER 16R 3W/5W 60X29
0020.000	△	759551505600		LCD-DISPLAY LGD LM185WH1-TLA4	LCD-DISPLAY LGD LM185WH1-TLA4
0021.000		759551519600		KABEL DISPLAY-LVDS 400MM	CABLE DISPLAY-LVDS 400MM
0022.000	△	759551350200		NETZKABEL 150 CM	POWER CABLE 150 CM
0023.000	△	275990309100		NETZADAPTER 12V 4,16 A	POWER ADAPTOR 12V / 4.16A
0024.000	△	275991082900	X	LP-INVERTERMODUL	INVERTOR BOARD
0025.000	△	275991082800	X	LP-CHASSISMODUL T5 (HDA)	CHASSIS BOARD T5 (HDA)
0027.000		720117145200		FERNBEDIENUNG RC 23	REMOTE CONTROL RC 23
0028.000		720117145300		FERNBEDIENUNG TP EASY SCHWARZ	REMOTE CONTROL TP EASY BLACK
0030.000		275990210000		TASTSCHALTER	KEY SWITCH
0032.000		759551504200		IR-EMPFÄNGER TSOP38438	IR RECEIVER TSOP38438
0090.000		759551520100		KARTON	CARTON
0091.000		759551520200		POLSTER OBEN	CUSHION TOP
0092.000		759551520300		POLSTER BODEN	CUSHION BOTTOM
				DIE BEDIENUNGSANLEITUNG KOENNEN SIE IM INTERNET UNTER FOLGENDER ADRESSE ABRUFEN: WWW.GRUNDIG.DE MENU: DOWNLOADS	THE INSTRUCTION MANUAL CAN BE DOWNLOADED FROM THE INTERNET UNDER THE FOLLOWING ADDRESS: WWW.GRUNDIG.DE MENU: DOWNLOADS
		720100546000		SERVICE MANUAL D/GB	SERVICE MANUAL D/GB
		720108000001		SICHERHEITSMANUAL D/GB/E/F/I	SAFETY SERVICE MANUAL D/GB/E/F/I
				X = SIEHE GESONDERTE E-LISTE	X = SEE SEPARATE PARTS LIST

POS. NR. POS. NO.	ABB. FIG.	MATERIAL-NR. PART NUMBER	ANZ. QTY.	BEZEICHNUNG (D)	DESCRIPTION (GB)
		GBI4819		LEEMAXX 19 HD WP PRODUKTCODE HSR KEIN E-TEIL	LEEMAXX 19 HD WP PRODUKT CODE HSR NO SPARE PART
				<b>Hinweis:</b> Sollte in dieser Ersatzteilliste Ihr "Product Code" oder Ihre Display-Variante nicht aufgeführt sein, finden Sie eine aktualisierte Version auf dem GRUNDIG Service-Portal <a href="http://service.grundig.de">"http://service.grundig.de"</a> .	<b>Note:</b> If your "Product Code" or display variant is not mentioned in the spare parts list, please look for a current version at the GRUNDIG service portal <a href="http://service.grundig.de">"http://service.grundig.de"</a> .
0001.000		759551522000		GEH.-VORDERTEIL PINK	FRONT CABINET PINK
0002.000		759551519800		RUECKWAND WEISS	BACK COVER WHITE
0003.000		759551519900		ABDECKUNG WEISS	COVER WHITE
0015.000		759551520000		LAUTSPRECHER 16R 3W/5W 60X29	LOUDSPEAKER 16R 3W/5W 60X29
0020.000	△	759551505600		LCD-DISPLAY LM185WH1-TLA4	LCD-DISPLAY LM185WH1-TLA4
0021.000		759551519600		KABEL DISPLAY-LVDS 400MM	CABLE DISPLAY-LVDS 400MM
0022.000	△	759551350200		NETZKABEL 150 CM	POWER CABLE 150 CM
0023.000	△	275990309100		NETZADAPTER 12V 4,16 A	POWER ADAPTOR 12V / 4.16A
0024.000	△	275990309800	X	LP-INVERTERMODUL	INVERTOR BOARD
0025.000	△	275991109300	X	LP-CHASSISMODUL T5 (HSM)	CHASSISBOARD T5 (HSM)
0027.000		720117145700		FERNBEDIENUNG RC 23	REMOTE CONTROL RC 23
0028.000		720117145400		FERNBEDIENUNG TP EASY WEISS	REMOTE CONTROL TP EASY WHITE
0030.000		275990210000		TASTSCHALTER	KEY SWITCH
0032.000		759551504200		IR-EMPFÄNGER TSOP38438	IR RECEIVER TSOP38438
0033.000		759551541500		LED BLAU 5MM 3,5 V	LED BLUE 5MM 3,5 V
0090.000		759551520100		KARTON	CARTON
0091.000		759551520200		POLSTER OBEN	CUSHION TOP
0092.000		759551520300		POLSTER BODEN	CUSHION BOTTOM
				DIE BEDIENUNGSANLEITUNG KOENNEN SIE IM INTERNET UNTER FOLGENDER ADRESSE ABRUFEN: WWW.GRUNDIG.DE MENU: DOWNLOADS	THE INSTRUCTION MANUAL CAN BE DOWNLOADED FROM THE INTERNET UNDER THE FOLLOWING ADDRESS: WWW.GRUNDIG.DE MENU: DOWNLOADS
		720100546000		SERVICE MANUAL D/GB	SERVICE MANUAL D/GB
		720108000001		SICHERHEITSMANUAL D/GB/E/F/I	SAFETY SERVICE MANUAL D/GB/E/F/I
				X = SIEHE GESONDERTE E-LISTE	X = SEE SEPARATE PARTS LIST
		GBI4819		LEEMAXX 19 HD WP PRODUKTCODE HHT KEIN E-TEIL	LEEMAXX 19 HD WP PRODUKT CODE HHT NO SPARE PART
0001.000		759551522000		GEH.-VORDERTEIL PINK	FRONT CABINET PINK
0002.000		759551530800		RUECKWAND WEISS	BACK COVER WHITE
0003.000		759551519900		ABDECKUNG WEISS	COVER WHITE
0015.000		759551520000		LAUTSPRECHER 16R 3W/5W 60X29	LOUDSPEAKER 16R 3W/5W 60X29
0020.000	△	759551505600		LCD-DISPLAY LM185WH1-TLA4	LCD-DISPLAY LM185WH1-TLA4
0021.000		759551519600		KABEL DISPLAY-LVDS 400MM	CABLE DISPLAY-LVDS 400MM
0022.000	△	759551350200		NETZKABEL 150 CM	POWER CABLE 150 CM
0023.000	△	275990309100		NETZADAPTER 12V 4,16 A	POWER ADAPTOR 12V / 4.16A
0024.000	△	275990309800	X	LP-INVERTERMODUL	INVERTOR BOARD
0025.000	△	275991082800	X	LP-CHASSISMODUL T5 (HDA)	CHASSIS BOARD T5 (HDA)
0027.000		720117145200		FERNBEDIENUNG RC 23	REMOTE CONTROL RC 23

3-5

Es gelten die Vorschriften und Sicherheitshinweise gemäß dem Service Manual "Sicherheit", Mat.-Nummer 720108000001, sowie zusätzlich die eventuell abweichenden, landesspezifischen Vorschriften!



The regulations and safety instructions shall be valid as provided by the "Safety" Service Manual, part number 720108000001, as well as the respective national deviations.

ÄNDERUNGEN VORBEHALTEN / SUBJECT TO ALTERATION

ÄNDERUNGEN VORBEHALTEN / SUBJECT TO ALTERATION

POS. NR. ABB. POS. NO. FIG.	MATERIAL-NR. PART NUMBER	ANZ. QTY.	BEZEICHNUNG <b>(D)</b>	DESCRIPTION <b>(GB)</b>
0028.000	720117145400		FERNBEDIENUNG TP EASY WEISS	REMOTE CONTROL TP EASY WHITE
0030.000	275990210000		TASTSCHALTER	KEY SWITCH
0032.000	759551504200		IR-EMPFAENGER TSOP38438	IR RECEIVER TSOP38438
0090.000	759551520100		KARTON	CARTON
0091.000	759551520200		POLSTER OBEN	CUSHION TOP
0092.000	759551520300		POLSTER BODEN	CUSHION BOTTOM
			DIE BEDIENUNGSANLEITUNG KOENNEN SIE IM INTERNET UNTER FOLGENDER ADRESSE ABRUFEN: WWW.GRUNDIG.DE MENU: DOWNLOADS	THE INSTRUCTION MANUAL CAN BE DOWNLOADED FROM THE INTERNET UNDER THE FOLLOWING ADDRESS: WWW.GRUNDIG.DE MENU: DOWNLOADS
	720100546000		SERVICE MANUAL D/GB	SERVICE MANUAL D/GB
	720108000001		SICHERHEITSMANUAL D/GB/E/F/I	SAFETY SERVICE MANUAL D/GB/E/F/I
			X = SIEHE GESONDERTE E-LISTE	X = SEE SEPARATE PARTS LIST

Ersatzteilliste  
Spare Parts List

**NUR FÜR INTERNEN GEBRAUCH  
FOR INTERNAL USE ONLY**

**TV**

**3 / 2010**

**LEEMAXX 19 HD/C BA**

BESTELL-NR. / ORDER NO.: GBH4932 (HGR)

POS. NR. ABB. POS. NO. FIG.	MATERIAL-NR. PART NUMBER	ANZ. QTY.	BEZEICHNUNG <b>(D)</b>	DESCRIPTION <b>(GB)</b>
	GBH4932		LEEMAXX 19 HD/C BA PRODUKTCODE HGR KEIN E-TEIL	LEEMAXX 19 HD/C BA PRODUCT CODE HGR NO SPARE PART
			<b>Hinweis:</b> Sollte in dieser Ersatzteilliste Ihr "Product Code" oder Ihre Display-Variante nicht aufgeführt sein, finden Sie eine aktualisierte Version auf dem GRUNDIG Service-Portal " <a href="http://service.grundig.de">http://service.grundig.de</a> ".	<b>Note:</b> If your "Product Code" or display variant is not mentioned in the spare parts list, please look for a current version at the GRUNDIG service portal " <a href="http://service.grundig.de">http://service.grundig.de</a> ".
0001.000	759551530600		GEH.- VORDERTEIL ANTHRAZIT	FRONT CABINET ANTHRAZIT
0002.000	759551530700		RUECKWAND SCHWARZ	BACK COVER BLACK
0003.000	759551521800		ABDECKUNG SCHWARZ	COVER BLACK
0015.000	759551520000		LAUTSPRECHER 16R 3W/5W 60X29	LOUDSPEAKER 16R 3W/5W 60X29
0020.000	759551505900		LCD-DISPLAY SS LTM185AT01-R04	LCD-DISPLAY SS LTM185AT01-R04
0021.000	759551534600		KABEL DISPLAY-LVDS 370MM	CABLE DISPLAY-LVDS 370MM
0022.000	759551350200		NETZKABEL 150 CM	POWER CABLE 150 CM
0023.000	275990309100		NETZADAPTER 12V 4,16 A	POWER ADAPTOR 12V / 4.16A
0024.000	275990309800	X	LP-INVERTERMODUL	INVERTOR BOARD
0025.000	275991103100	X	LP-CHASSISMODUL T5 (HKR)	CHASSIS BOARD T5 (HKR)
0027.000	720117145200		FERNBEDIENUNG RC 23	REMOTE CONTROL RC 23
0028.000	720117145300		FERNBEDIENUNG TP EASY SCHWARZ	REMOTE CONTROL TP EASY BLACK
0030.000	275990210000		TASTSCHALTER	KEY SWITCH
0032.000	759551504200		IR-EMPFAENGER TSOP38438	IR RECEIVER TSOP38438
0090.000	759551520100		KARTON	CARTON
0091.000	759551520200		POLSTER OBEN	CUSHION TOP
0092.000	759551520300		POLSTER BODEN	CUSHION BOTTOM
			DIE BEDIENUNGSANLEITUNG KOENNEN SIE IM INTERNET UNTER FOLGENDER ADRESSE ABRUFEN: WWW.GRUNDIG.DE MENU: DOWNLOADS	THE INSTRUCTION MANUAL CAN BE DOWNLOADED FROM THE INTERNET UNDER THE FOLLOWING ADDRESS: WWW.GRUNDIG.DE MENU: DOWNLOADS
	720100546000		SERVICE MANUAL D/GB	SERVICE MANUAL D/GB
	720108000001		SICHERHEITSMANUAL D/GB/E/F/I	SAFETY SERVICE MANUAL D/GB/E/F/I
			X = SIEHE GESONDERTE E-LISTE	X = SEE SEPARATE PARTS LIST

Es gelten die Vorschriften und Sicherheitshinweise gemäß dem Service Manual "Sicherheit", Mat.-Nummer 720108000001, sowie zusätzlich die eventuell abweichenden, landesspezifischen Vorschriften!



The regulations and safety instructions shall be valid as provided by the "Safety" Service Manual, part number 720108000001, as well as the respective national deviations.

ÄNDERUNGEN VORBEHALTEN / SUBJECT TO ALTERATION

Es gelten die Vorschriften und Sicherheitshinweise gemäß dem Service Manual "Sicherheit", Mat.-Nummer 720108000001, sowie zusätzlich die eventuell abweichenden, landesspezifischen Vorschriften!



The regulations and safety instructions shall be valid as provided by the "Safety" Service Manual, part number 720108000001, as well as the respective national deviations.

ÄNDERUNGEN VORBEHALTEN / SUBJECT TO ALTERATION



Ersatzteilliste  
Spare Parts List

NUR FÜR INTERNEN GEBRAUCH  
FOR INTERNAL USE ONLY

TV

7 / 2010

LEEMAXX 19 HD/C BA

BESTELL-NR. / ORDER NO.: GBI3219 (HSJ)

POS. NR. POS. NO.	ABB. FIG.	MATERIAL-NR. PART NUMBER	ANZ. QTY.	BEZEICHNUNG (D)	DESCRIPTION (GB)
<p>GBI3219 LEEMAXX 19 HD/C BA PRODUKTCODE HSJ KEIN E-TEIL</p> <p><b>Hinweis:</b> Sollte in dieser Ersatzteilliste Ihr "Product Code" oder Ihre Display-Variante nicht aufgeführt sein, finden Sie eine aktualisierte Version auf dem GRUNDIG Service-Portal "<a href="http://service.grundig.de">http://service.grundig.de</a>".</p>					
<p>LEEMAXX 19 HD/C BA PRODUCT CODE HSJ NO SPARE PART</p> <p><b>Note:</b> If your "Product Code" or display variant is not mentioned in the spare parts list, please look for a current version at the GRUNDIG service portal "<a href="http://service.grundig.de">http://service.grundig.de</a>".</p>					
0001.000		759551522100		GEH.-VORDERTEIL SCHWARZ	FRONT CABINET BLACK
0002.000		759551514800		RUECKWAND SCHWARZ	BACK COVER BLACK
0003.000		759551521800		ABDECKUNG SCHWARZ	COVER BLACK
0015.000		759551520000		LAUTSPRECHER 16R 3W/5W 60X29	LOUDSPEAKER 16R 3W/5W 60X29
0020.000	△	759551505600		LCD-DISPLAY LM185WH1-TLA4	LCD-DISPLAY LM185WH1-TLA4
0021.000		759551519600		KABEL DISPLAY-LVDS 400MM	CABLE DISPLAY-LVDS 400MM
0022.000	△	759551350200		NETZKABEL 150 CM	POWER CABLE 150 CM
0023.000	△	275990309100		NETZADAPTER 12V 4,16 A	POWER ADAPTOR 12V / 4.16A
0024.000	△	275990309800	X	LP-INVERTERMODUL	INVERTOR BOARD
0025.000	△	275991113200	X	LP-CHASSISMODUL T5 (HSF)	CHASSISBOARD T5 (HSF)
0027.000		720117145700		FERNBEDIENUNG RC 23	REMOTE CONTROL RC 23
0028.000		720117145300		FERNBEDIENUNG TP EASY SCHWARZ	REMOTE CONTROL TP EASY BLACK
0030.000		275990210000		TASTSCHALTER	KEY SWITCH
0032.000		759551504200		IR-EMPFAENGER TSOP38438	IR RECEIVER TSOP38438
0033.000		759551541500		LED BLAU 5MM 3,5 V	LED BLUE 5MM 3,5 V
0090.000		759551520100		KARTON	CARTON
0091.000		759551520200		POLSTER OBEN	CUSHION TOP
0092.000		759551520300		POLSTER BODEN	CUSHION BOTTOM
<p>DIE BEDIENUNGSANLEITUNG KOENNEN SIE IM INTERNET UNTER FOLGENDER ADRESSE ABRUFEN: WWW.GRUNDIG.DE MENU: DOWNLOADS</p> <p>THE INSTRUCTION MANUAL CAN BE DOWNLOADED FROM THE INTERNET UNDER THE FOLLOWING ADDRESS: WWW.GRUNDIG.DE MENU: DOWNLOADS</p>					
<p>720100546000 SERVICE MANUAL D/GB</p> <p>720108000001 SICHERHEITSMANUAL D/GB/E/F/I</p> <p>X = SIEHE GESONDERTE E-LISTE</p>					
<p>SERVICE MANUAL D/GB SAFETY SERVICE MANUAL D/GB/E/F/I</p> <p>X = SEE SEPARATE PARTS LIST</p>					

Ersatzteilliste  
Spare Parts List

NUR FÜR INTERNEN GEBRAUCH  
FOR INTERNAL USE ONLY

TV

3 / 2010

LEEMAXX 19 HD/C BR

BESTELL-NR. / ORDER NO.: GBH4031 (HKL)

POS. NR. POS. NO.	ABB. FIG.	MATERIAL-NR. PART NUMBER	ANZ. QTY.	BEZEICHNUNG (D)	DESCRIPTION (GB)
<p>GBH4031 LEEMAXX 19 HD/C BR PRODUKTCODE HKL KEIN E-TEIL</p> <p><b>Hinweis:</b> Sollte in dieser Ersatzteilliste Ihr "Product Code" oder Ihre Display-Variante nicht aufgeführt sein, finden Sie eine aktualisierte Version auf dem GRUNDIG Service-Portal "<a href="http://service.grundig.de">http://service.grundig.de</a>".</p>					
<p>LEEMAXX 19 HD/C BR PRODUCT CODE HKL NO SPARE PART</p> <p><b>Note:</b> If your "Product Code" or display variant is not mentioned in the spare parts list, please look for a current version at the GRUNDIG service portal "<a href="http://service.grundig.de">http://service.grundig.de</a>".</p>					
0001.000		759551534700		GEH.- VORDERTEIL ROT	FRONT CABINET RED
0002.000		759551530700		RUECKWAND SCHWARZ	BACK COVER BLACK
0003.000		759551521800		ABDECKUNG SCHWARZ	COVER BLACK
0015.000		759551520000		LAUTSPRECHER 16R 3W/5W 60X29	LOUDSPEAKER 16R 3W/5W 60X29
0020.000	△	759551505600		LCD-DISPLAY LGD LM185WH1-TLA4	LCD-DISPLAY LGD LM185WH1-TLA4
0021.000		759551519600		KABEL DISPLAY-LVDS 400MM	CABLE DISPLAY-LVDS 400MM
0022.000	△	759551350200		NETZKABEL 150 CM	POWER CABLE 150 CM
0023.000	△	275990309100		NETZADAPTER 12V 4,16 A	POWER ADAPTOR 12V / 4.16A
0024.000	△	275990309800	X	LP-INVERTERMODUL	INVERTOR BOARD
0025.000	△	275991103200	X	LP-CHASSISMODUL T5 (HGR)	CHASSIS BOARD T5 (HGR)
0027.000		720117145200		FERNBEDIENUNG RC 23	REMOTE CONTROL RC 23
0028.000		720117145300		FERNBEDIENUNG TP EASY SCHWARZ	REMOTE CONTROL TP EASY BLACK
0030.000		275990210000		TASTSCHALTER	KEY SWITCH
0032.000		759551504200		IR-EMPFAENGER TSOP38438	IR RECEIVER TSOP38438
0090.000		759551520100		KARTON	CARTON
0091.000		759551520200		POLSTER OBEN	CUSHION TOP
0092.000		759551520300		POLSTER BODEN	CUSHION BOTTOM
<p>DIE BEDIENUNGSANLEITUNG KOENNEN SIE IM INTERNET UNTER FOLGENDER ADRESSE ABRUFEN: WWW.GRUNDIG.DE MENU: DOWNLOADS</p> <p>THE INSTRUCTION MANUAL CAN BE DOWNLOADED FROM THE INTERNET UNDER THE FOLLOWING ADDRESS: WWW.GRUNDIG.DE MENU: DOWNLOADS</p>					
<p>720100546000 SERVICE MANUAL D/GB</p> <p>720108000001 SICHERHEITSMANUAL D/GB/E/F/I</p> <p>X = SIEHE GESONDERTE E-LISTE</p>					
<p>SERVICE MANUAL D/GB SAFETY SERVICE MANUAL D/GB/E/F/I</p> <p>X = SEE SEPARATE PARTS LIST</p>					

Es gelten die Vorschriften und Sicherheitshinweise gemäß dem Service Manual "Sicherheit", Mat.-Nummer 720108000001, sowie zusätzlich die eventuell abweichenden, landesspezifischen Vorschriften!



The regulations and safety instructions shall be valid as provided by the "Safety" Service Manual, part number 720108000001, as well as the respective national deviations.

ÄNDERUNGEN VORBEHALTEN / SUBJECT TO ALTERATION

Es gelten die Vorschriften und Sicherheitshinweise gemäß dem Service Manual "Sicherheit", Mat.-Nummer 720108000001, sowie zusätzlich die eventuell abweichenden, landesspezifischen Vorschriften!



The regulations and safety instructions shall be valid as provided by the "Safety" Service Manual, part number 720108000001, as well as the respective national deviations.

ÄNDERUNGEN VORBEHALTEN / SUBJECT TO ALTERATION

Ersatzteilliste  
Spare Parts List

NUR FÜR INTERNEN GEBRAUCH  
FOR INTERNAL USE ONLY

TV

7 / 2010

LEEMAXX 19 HD/C BR

BESTELL-NR. / ORDER NO.: GBI3419 (HSF)

POS. NR. POS. NO.	ABB. FIG.	MATERIAL-NR. PART NUMBER	ANZ. QTY.	BEZEICHNUNG D	DESCRIPTION GB
		GBI3419		LEEMAXX 19 HD/C BR PRODUKTCODE HSF KEIN E-TEIL	LEEMAXX 19 HD/C BR PRODUCT CODE HSF NO SPARE PART
				<b>Hinweis:</b> Sollte in dieser Ersatzteilliste Ihr "Product Code" oder Ihre Display-Variante nicht aufgeführt sein, finden Sie eine aktualisierte Version auf dem GRUNDIG Service-Portal " <a href="http://service.grundig.de">http://service.grundig.de</a> ".	<b>Note:</b> If your "Product Code" or display variant is not mentioned in the spare parts list, please look for a current version at the GRUNDIG service portal " <a href="http://service.grundig.de">http://service.grundig.de</a> ".
0001.000		759551534700		GEH.- VORDERTEIL ROT	FRONT CABINET RED
0002.000		759551514800		RUECKWAND SCHWARZ	BACK COVER BLACK
0003.000		759551521800		ABDECKUNG SCHWARZ	COVER BLACK
0015.000		759551520000		LAUTSPRECHER 16R 3W/5W 60X29	LOUDSPEAKER 16R 3W/5W 60X29
0020.000	△	759551505600		LCD-DISPLAY LM185WH1-TLA4	LCD-DISPLAY LM185WH1-TLA4
0021.000		759551519600		KABEL DISPLAY-LVDS 400MM	CABLE DISPLAY-LVDS 400MM
0022.000	△	759551350200		NETZKABEL 150 CM	POWER CABLE 150 CM
0023.000	△	275990309100		NETZADAPTER 12V 4,16 A	POWER ADAPTOR 12V / 4.16A
0024.000	△	275990309800	X	LP-INVERTERMODUL	INVERTOR BOARD
0025.000	△	275991113200	X	LP-CHASSISMODUL T5 (HSF)	CHASSISBOARD T5 (HSF)
0027.000		720117145700		FERNBEDIENUNG RC 23	REMOTE CONTROL RC 23
0028.000		720117145300		FERNBEDIENUNG TP EASY SCHWARZ	REMOTE CONTROL TP EASY BLACK
0030.000		275990210000		TASTSCHALTER	KEY SWITCH
0032.000		759551504200		IR-EMPFAENGER TSOP38438	IR RECEIVER TSOP38438
0033.000		759551541500		LED BLAU 5MM 3,5 V	LED BLUE 5MM 3,5 V
0090.000		759551520100		KARTON	CARTON
0091.000		759551520200		POLSTER OBEN	CUSHION TOP
0092.000		759551520300		POLSTER BODEN	CUSHION BOTTOM
				DIE BEDIENUNGSANLEITUNG KOENNEN SIE IM INTERNET UNTER FOLGENDER ADRESSE ABRUFEN: WWW.GRUNDIG.DE MENU: DOWNLOADS	THE INSTRUCTION MANUAL CAN BE DOWNLOADED FROM THE INTERNET UNDER THE FOLLOWING ADDRESS: WWW.GRUNDIG.DE MENU: DOWNLOADS
		720100546000		SERVICE MANUAL D/GB	SERVICE MANUAL D/GB
		720108000001		SICHERHEITSMANUAL D/GB/E/F/I	SAFETY SERVICE MANUAL D/GB/E/F/I
				X = SIEHE GESONDERTE E-LISTE	X = SEE SEPARATE PARTS LIST

Ersatzteilliste  
Spare Parts List

NUR FÜR INTERNEN GEBRAUCH  
FOR INTERNAL USE ONLY

TV

3 / 2010

LEEMAXX 19 HD/C WG

BESTELL-NR. / ORDER NO.: GBH4035 (HKR)

POS. NR. POS. NO.	ABB. FIG.	MATERIAL-NR. PART NUMBER	ANZ. QTY.	BEZEICHNUNG D	DESCRIPTION GB
		GBH4035		LEEMAXX 19 HD/C WG PRODUKTCODE HKR KEIN E-TEIL	LEEMAXX 19 HD/C WG PRODUCT CODE HKR NO SPARE PART
				<b>Hinweis:</b> Sollte in dieser Ersatzteilliste Ihr "Product Code" oder Ihre Display-Variante nicht aufgeführt sein, finden Sie eine aktualisierte Version auf dem GRUNDIG Service-Portal " <a href="http://service.grundig.de">http://service.grundig.de</a> ".	<b>Note:</b> If your "Product Code" or display variant is not mentioned in the spare parts list, please look for a current version at the GRUNDIG service portal " <a href="http://service.grundig.de">http://service.grundig.de</a> ".
0001.000		759551530900		GEH.- VORDERTEIL GRUEN	FRONT CABINET GREEN
0002.000		759551530800		RUECKWAND WEISS	BACK COVER WHITE
0003.000		759551519900		ABDECKUNG WEISS	COVER WHITE
0015.000		759551520000		LAUTSPRECHER 16R 3W/5W 60X29	LOUDSPEAKER 16R 3W/5W 60X29
0020.000	△	759551505900		LCD-DISPLAY SS LTM185AT01-R04	LCD-DISPLAY SS LTM185AT01-R04
0021.000		759551534600		KABEL DISPLAY-LVDS 370MM	CABLE DISPLAY-LVDS 370MM
0022.000	△	759551350200		NETZKABEL 150 CM	POWER CABLE 150 CM
0023.000	△	275990309100		NETZADAPTER 12V 4,16 A	POWER ADAPTOR 12V / 4.16A
0024.000	△	275990309800	X	LP-INVERTERMODUL	INVERTOR BOARD
0025.000	△	275991103100	X	LP-CHASSISMODUL T5 (HKR)	CHASSIS BOARD T5 (HKR)
0027.000		720117145200		FERNBEDIENUNG RC 23	REMOTE CONTROL RC 23
0028.000		720117145400		FERNBEDIENUNG TP EASY WEISS	REMOTE CONTROL TP EASY WHITE
0030.000		275990210000		TASTSCHALTER	KEY SWITCH
0032.000		759551504200		IR-EMPFAENGER TSOP38438	IR RECEIVER TSOP38438
0090.000		759551520100		KARTON	CARTON
0091.000		759551520200		POLSTER OBEN	CUSHION TOP
0092.000		759551520300		POLSTER BODEN	CUSHION BOTTOM
				DIE BEDIENUNGSANLEITUNG KOENNEN SIE IM INTERNET UNTER FOLGENDER ADRESSE ABRUFEN: WWW.GRUNDIG.DE MENU: DOWNLOADS	THE INSTRUCTION MANUAL CAN BE DOWNLOADED FROM THE INTERNET UNDER THE FOLLOWING ADDRESS: WWW.GRUNDIG.DE MENU: DOWNLOADS
		720100546000		SERVICE MANUAL D/GB	SERVICE MANUAL D/GB
		720108000001		SICHERHEITSMANUAL D/GB/E/F/I	SAFETY SERVICE MANUAL D/GB/E/F/I
				X = SIEHE GESONDERTE E-LISTE	X = SEE SEPARATE PARTS LIST

Es gelten die Vorschriften und Sicherheitshinweise gemäß dem Service Manual "Sicherheit", Mat.-Nummer 720108000001, sowie zusätzlich die eventuell abweichenden, landesspezifischen Vorschriften!



The regulations and safety instructions shall be valid as provided by the "Safety" Service Manual, part number 720108000001, as well as the respective national deviations.

ÄNDERUNGEN VORBEHALTEN / SUBJECT TO ALTERATION

Es gelten die Vorschriften und Sicherheitshinweise gemäß dem Service Manual "Sicherheit", Mat.-Nummer 720108000001, sowie zusätzlich die eventuell abweichenden, landesspezifischen Vorschriften!



The regulations and safety instructions shall be valid as provided by the "Safety" Service Manual, part number 720108000001, as well as the respective national deviations.

ÄNDERUNGEN VORBEHALTEN / SUBJECT TO ALTERATION

Ersatzteilliste  
Spare Parts List

NUR FÜR INTERNEN GEBRAUCH  
FOR INTERNAL USE ONLY

TV

Ersatzteilliste  
Spare Parts List

NUR FÜR INTERNEN GEBRAUCH  
FOR INTERNAL USE ONLY

TV

3 / 2010

LEEMAXX 19 HD/C WP

3 / 2010

LEEMAXX 19 HD/C WS

BESTELL-NR. / ORDER NO.: GBH4039 (HKS)

BESTELL-NR. / ORDER NO.: GBH4029 (ESY)

POS. NR. POS. NO.	ABB. FIG.	MATERIAL-NR. PART NUMBER	ANZ. QTY.	BEZEICHNUNG D	DESCRIPTION GB
		GBH4039		LEEMAXX 19 HD/C WP PRODUKTCODE HKS KEIN E-TEIL	LEEMAXX 19 HD/C WP PRODUCT CODE HKS NO SPARE PART
				<b>Hinweis:</b> Sollte in dieser Ersatzteilliste Ihr "Product Code" oder Ihre Display-Variante nicht aufgeführt sein, finden Sie eine aktualisierte Version auf dem GRUNDIG Service-Portal <a href="http://service.grundig.de">"http://service.grundig.de"</a> .	<b>Note:</b> If your "Product Code" or display variant is not mentioned in the spare parts list, please look for a current version at the GRUNDIG service portal <a href="http://service.grundig.de">"http://service.grundig.de"</a> .
0001.000		759551522000		GEH.-VORDERTEIL PINK	FRONT CABINET PINK
0002.000		759551530800		RUECKWAND WEISS	BACK COVER WHITE
0003.000		759551519900		ABDECKUNG WEISS	COVER WHITE
0015.000		759551520000		LAUTSPRECHER 16R 3W/5W 60X29	LOUDSPEAKER 16R 3W/5W 60X29
0020.000	△	759551505900		LCD-DISPLAY SS LTM185AT01-R04	LCD-DISPLAY SS LTM185AT01-R04
0021.000		759551534600		KABEL DISPLAY-LVDS 370MM	CABLE DISPLAY-LVDS 370MM
0022.000	△	759551350200		NETZKABEL 150 CM	POWER CABLE 150 CM
0023.000	△	275990309100		NETZADAPTER 12V 4,16 A	POWER ADAPTOR 12V / 4.16A
0024.000	△	275990309800	X	LP-INVERTERMODUL	INVERTOR BOARD
0025.000	△	275991103100	X	LP-CHASSISMODUL T5 (HKR)	CHASSIS BOARD T5 (HKR)
0027.000		720117145200		FERNBEDIENUNG RC 23	REMOTE CONTROL RC 23
0028.000		720117145400		FERNBEDIENUNG TP EASY WEISS	REMOTE CONTROL TP EASY WHITE
0030.000		275990210000		TASTSCHALTER	KEY SWITCH
0032.000		759551504200		IR-EMPFÄNGER TSOP38438	IR RECEIVER TSOP38438
0090.000		759551520100		KARTON	CARTON
0091.000		759551520200		POLSTER OBEN	CUSHION TOP
0092.000		759551520300		POLSTER BODEN	CUSHION BOTTOM
				DIE BEDIENUNGSANLEITUNG KOENNEN SIE IM INTERNET UNTER FOLGENDER ADRESSE ABRUFEN: WWW.GRUNDIG.DE MENU: DOWNLOADS	THE INSTRUCTION MANUAL CAN BE DOWNLOADED FROM THE INTERNET UNDER THE FOLLOWING ADDRESS: WWW.GRUNDIG.DE MENU: DOWNLOADS
		720100546000		SERVICE MANUAL D/GB	SERVICE MANUAL D/GB
		720108000001		SICHERHEITSMANUAL D/GB/E/F/I	SAFETY SERVICE MANUAL D/GB/E/F/I
				X = SIEHE GESONDERTE E-LISTE	X = SEE SEPARATE PARTS LIST

POS. NR. POS. NO.	ABB. FIG.	MATERIAL-NR. PART NUMBER	ANZ. QTY.	BEZEICHNUNG D	DESCRIPTION GB
		GBH4029		LEEMAXX 19 HD/C WS PRODUKTCODE ESY KEIN E-TEIL	LEEMAXX 19 HD/C WS PRODUCT CODE ESY NO SPARE PART
				<b>Hinweis:</b> Sollte in dieser Ersatzteilliste Ihr "Product Code" oder Ihre Display-Variante nicht aufgeführt sein, finden Sie eine aktualisierte Version auf dem GRUNDIG Service-Portal <a href="http://service.grundig.de">"http://service.grundig.de"</a> .	<b>Note:</b> If your "Product Code" or display variant is not mentioned in the spare parts list, please look for a current version at the GRUNDIG service portal <a href="http://service.grundig.de">"http://service.grundig.de"</a> .
0001.000		759551519700		GEH.-VORDERTEIL WEISS	FRONT CABINET WHITE
0002.000		759551530800		RUECKWAND WEISS	BACK COVER WHITE
0003.000		759551519900		ABDECKUNG WEISS	COVER WHITE
0015.000		759551520000		LAUTSPRECHER 16R 3W/5W 60X29	LOUDSPEAKER 16R 3W/5W 60X29
0020.000	△	759551505900		LCD-DISPLAY SS LTM185AT01-R04	LCD-DISPLAY SS LTM185AT01-R04
0021.000		759551534600		KABEL DISPLAY-LVDS 370MM	CABLE DISPLAY-LVDS 370MM
0022.000	△	759551350200		NETZKABEL 150 CM	POWER CABLE 150 CM
0023.000	△	275990309100		NETZADAPTER 12V 4,16 A	POWER ADAPTOR 12V / 4.16A
0024.000	△	275990309800	X	LP-INVERTERMODUL	INVERTOR BOARD
0025.000	△	275991103100	X	LP-CHASSISMODUL T5 (HKR)	CHASSIS BOARD T5 (HKR)
0027.000		720117145200		FERNBEDIENUNG RC 23	REMOTE CONTROL RC 23
0028.000		720117145400		FERNBEDIENUNG TP EASY WEISS	REMOTE CONTROL TP EASY WHITE
0030.000		275990210000		TASTSCHALTER	KEY SWITCH
0032.000		759551504200		IR-EMPFÄNGER TSOP38438	IR RECEIVER TSOP38438
0090.000		759551520100		KARTON	CARTON
0091.000		759551520200		POLSTER OBEN	CUSHION TOP
0092.000		759551520300		POLSTER BODEN	CUSHION BOTTOM
				DIE BEDIENUNGSANLEITUNG KOENNEN SIE IM INTERNET UNTER FOLGENDER ADRESSE ABRUFEN: WWW.GRUNDIG.DE MENU: DOWNLOADS	THE INSTRUCTION MANUAL CAN BE DOWNLOADED FROM THE INTERNET UNDER THE FOLLOWING ADDRESS: WWW.GRUNDIG.DE MENU: DOWNLOADS
		720100546000		SERVICE MANUAL D/GB	SERVICE MANUAL D/GB
		720108000001		SICHERHEITSMANUAL D/GB/E/F/I	SAFETY SERVICE MANUAL D/GB/E/F/I
				X = SIEHE GESONDERTE E-LISTE	X = SEE SEPARATE PARTS LIST

3  
-  
9

Es gelten die Vorschriften und Sicherheitshinweise gemäß dem Service Manual "Sicherheit", Mat.-Nummer 720108000001, sowie zusätzlich die eventuell abweichenden, landesspezifischen Vorschriften!



The regulations and safety instructions shall be valid as provided by the "Safety" Service Manual, part number 720108000001, as well as the respective national deviations.

ÄNDERUNGEN VORBEHALTEN / SUBJECT TO ALTERATION

Es gelten die Vorschriften und Sicherheitshinweise gemäß dem Service Manual "Sicherheit", Mat.-Nummer 720108000001, sowie zusätzlich die eventuell abweichenden, landesspezifischen Vorschriften!



The regulations and safety instructions shall be valid as provided by the "Safety" Service Manual, part number 720108000001, as well as the respective national deviations.

ÄNDERUNGEN VORBEHALTEN / SUBJECT TO ALTERATION

Ersatzteilliste  
Spare Parts List

NUR FÜR INTERNEN GEBRAUCH  
FOR INTERNAL USE ONLY

TV

Ersatzteilliste  
Spare Parts List

NUR FÜR INTERNEN GEBRAUCH  
FOR INTERNAL USE ONLY

TV

6 / 2010

LEEMAXX 19 HD/CR BA

7 / 2010

LEEMAXX 19 HD/CR BO

POS. NR. ABB.		MATERIAL-NR.	ANZ.	BEZEICHNUNG	BESTELL-NR. / ORDER NO.: GBI3819 (HSG)	
POS. NO.	FIG.	PART NUMBER	QTY.	(D)	DESCRIPTION	(GB)
<p>GBI3819 LEEMAXX 19 HD/CR BA PRODUKTCODE HSG KEIN E-TEIL</p> <p><b>Hinweis:</b> Sollte in dieser Ersatzteilliste Ihr "Product Code" oder Ihre Display-Variante nicht aufgeführt sein, finden Sie eine aktualisierte Version auf dem GRUNDIG Service-Portal "<a href="http://service.grundig.de">http://service.grundig.de</a>".</p>						
<p>LEEMAXX 19 HD/CR BA PRODUKT CODE HSG NO SPARE PART</p> <p><b>Note:</b> If your "Product Code" or display variant is not mentioned in the spare parts list, please look for a current version at the GRUNDIG service portal "<a href="http://service.grundig.de">http://service.grundig.de</a>".</p>						
0001.000		759551522100		GEH.-VORDERTEIL SCHWARZ	FRONT CABINET BLACK	
0002.000		759551530700		RUECKWAND SCHWARZ	BACK COVER BLACK	
0003.000		759551521800		ABDECKUNG SCHWARZ	COVER BLACK	
0015.000		759551520000		LAUTSPRECHER 16R 3W/5W 60X29	LOUDSPEAKER 16R 3W/5W 60X29	
0020.000	△	759551505600		LCD-DISPLAY LM185WH1-TLA4	LCD-DISPLAY LM185WH1-TLA4	
0021.000	△	759551519600		KABEL DISPLAY-LVDS 400MM	CABLE DISPLAY-LVDS 400MM	
0022.000	△	759551350200		NETZKABEL 150 CM	POWER CABLE 150 CM	
0023.000	△	275990309100		NETZADAPTER 12V 4,16 A	POWER ADAPTOR 12V / 4.16A	
0024.000	△	275990309800	X	LP-INVERTERMODUL	INVERTOR BOARD	
0025.000	△	275991105900	X	LP-CHASSISMODUL T5 (B7R)	CHASSIS BOARD T5 (B7R)	
0027.000		720117145700		FERNBEDIENUNG RC 23	REMOTE CONTROL RC 23	
0028.000		720117145300		FERNBEDIENUNG TP EASY SCHWARZ	REMOTE CONTROL TP EASY BLACK	
0030.000		275990210000		TASTSCHALTER	KEY SWITCH	
0032.000		759551504200		IR-EMPFÄNGER TSOP38438	IR RECEIVER TSOP38438	
0090.000		759551520100		KARTON	CARTON	
0091.000		759551520200		POLSTER OBEN	CUSHION TOP	
0092.000		759551520300		POLSTER BODEN	CUSHION BOTTOM	
<p>DIE BEDIENUNGSANLEITUNG KOENNEN SIE IM INTERNET UNTER FOLGENDER ADRESSE ABRUFEN: WWW.GRUNDIG.DE MENU: DOWNLOADS</p> <p>THE INSTRUCTION MANUAL CAN BE DOWNLOADED FROM THE INTERNET UNDER THE FOLLOWING ADDRESS: WWW.GRUNDIG.DE MENU: DOWNLOADS</p>						
<p>720100546000 SERVICE MANUAL D/GB 720108000001 SICHERHEITSMANUAL D/GB/E/F/I</p> <p>720100546000 SERVICE MANUAL D/GB 720108000001 SAFETY SERVICE MANUAL D/GB/E/F/I</p>						
<p>X = SIEHE GESONDERTE E-LISTE X = SEE SEPARATE PARTS LIST</p>						

POS. NR. ABB.		MATERIAL-NR.	ANZ.	BEZEICHNUNG	BESTELL-NR. / ORDER NO.: GBI4119 (HSA)	
POS. NO.	FIG.	PART NUMBER	QTY.	(D)	DESCRIPTION	(GB)
<p>GBI4119 LEEMAXX 19 HD/CR BO PRODUKTCODE HSA KEIN E-TEIL</p> <p><b>Hinweis:</b> Sollte in dieser Ersatzteilliste Ihr "Product Code" oder Ihre Display-Variante nicht aufgeführt sein, finden Sie eine aktualisierte Version auf dem GRUNDIG Service-Portal "<a href="http://service.grundig.de">http://service.grundig.de</a>".</p>						
<p>LEEMAXX 19 HD/CR BO PRODUKT CODE HSA NO SPARE PART</p> <p><b>Note:</b> If your "Product Code" or display variant is not mentioned in the spare parts list, please look for a current version at the GRUNDIG service portal "<a href="http://service.grundig.de">http://service.grundig.de</a>".</p>						
0001.000		759551521900		GEH.-VORDERTEIL ORANGE	FRONT CABINET ORANGE	
0002.000		759551530700		RUECKWAND SCHWARZ	BACK COVER BLACK	
0003.000		759551521800		ABDECKUNG SCHWARZ	COVER BLACK	
0015.000		759551520000		LAUTSPRECHER 16R 3W/5W 60X29	LOUDSPEAKER 16R 3W/5W 60X29	
0020.000	△	759551505600		LCD-DISPLAY LGD LM185WH1-TLA4	LCD-DISPLAY LGD LM185WH1-TLA4	
0021.000	△	759551519600		KABEL DISPLAY-LVDS 400MM	CABLE DISPLAY-LVDS 400MM	
0022.000	△	759551350200		NETZKABEL 150 CM	POWER CABLE 150 CM	
0023.000	△	275990309100		NETZADAPTER 12V 4,16 A	POWER ADAPTOR 12V / 4.16A	
0024.000	△	275990309800	X	LP-INVERTERMODUL	INVERTOR BOARD	
0025.000	△	275991105900	X	LP-CHASSISMODUL T5 (B7R)	CHASSIS BOARD T5 (B7R)	
0027.000		720117145700		FERNBEDIENUNG RC 23	REMOTE CONTROL RC 23	
0028.000		720117145300		FERNBEDIENUNG TP EASY SCHWARZ	REMOTE CONTROL TP EASY BLACK	
0030.000		275990210000		TASTSCHALTER	KEY SWITCH	
0032.000		759551504200		IR-EMPFÄNGER TSOP38438	IR RECEIVER TSOP38438	
0090.000		759551520100		KARTON	CARTON	
0091.000		759551520200		POLSTER OBEN	CUSHION TOP	
0092.000		759551520300		POLSTER BODEN	CUSHION BOTTOM	
<p>DIE BEDIENUNGSANLEITUNG KOENNEN SIE IM INTERNET UNTER FOLGENDER ADRESSE ABRUFEN: WWW.GRUNDIG.DE MENU: DOWNLOADS</p> <p>THE INSTRUCTION MANUAL CAN BE DOWNLOADED FROM THE INTERNET UNDER THE FOLLOWING ADDRESS: WWW.GRUNDIG.DE MENU: DOWNLOADS</p>						
<p>720100546000 SERVICE MANUAL D/GB 720108000001 SICHERHEITSMANUAL D/GB/E/F/I</p> <p>720100546000 SERVICE MANUAL D/GB 720108000001 SAFETY SERVICE MANUAL D/GB/E/F/I</p>						
<p>X = SIEHE GESONDERTE E-LISTE X = SEE SEPARATE PARTS LIST</p>						

3 - 10

Es gelten die Vorschriften und Sicherheitshinweise gemäß dem Service Manual "Sicherheit", Mat.-Nummer 720108000001, sowie zusätzlich die eventuell abweichenden, landesspezifischen Vorschriften!



The regulations and safety instructions shall be valid as provided by the "Safety" Service Manual, part number 720108000001, as well as the respective national deviations.

ÄNDERUNGEN VORBEHALTEN / SUBJECT TO ALTERATION

Es gelten die Vorschriften und Sicherheitshinweise gemäß dem Service Manual "Sicherheit", Mat.-Nummer 720108000001, sowie zusätzlich die eventuell abweichenden, landesspezifischen Vorschriften!



The regulations and safety instructions shall be valid as provided by the "Safety" Service Manual, part number 720108000001, as well as the respective national deviations.

ÄNDERUNGEN VORBEHALTEN / SUBJECT TO ALTERATION

Ersatzteilliste  
Spare Parts List

NUR FÜR INTERNEN GEBRAUCH  
FOR INTERNAL USE ONLY

TV

Ersatzteilliste  
Spare Parts List

NUR FÜR INTERNEN GEBRAUCH  
FOR INTERNAL USE ONLY

TV

6 / 2010

LEEMAXX 19 HD/CR BR

7 / 2010

LEEMAXX 19 HD/CR WG

POS. NR. ABB.		MATERIAL-NR.		ANZ.	BEZEICHNUNG	BESTELL-NR. / ORDER NO.: GBI4019 (HSB)	
POS. NO.	FIG.	PART NUMBER	QTY.		DESCRIPTION		
		GBI4019	LEEMAXX 19 HD/CR BR PRODUKTCODE HSB KEIN E-TEIL		LEEMAXX 19 HD/CR BR PRODUCT CODE HSB NO SPARE PART		
			<b>Hinweis:</b> Sollte in dieser Ersatzteilliste Ihr "Product Code" oder Ihre Display-Variante nicht aufgeführt sein, finden Sie eine aktualisierte Version auf dem GRUNDIG Service-Portal " <a href="http://service.grundig.de">http://service.grundig.de</a> ".		<b>Note:</b> If your "Product Code" or display variant is not mentioned in the spare parts list, please look for a current version at the GRUNDIG service portal " <a href="http://service.grundig.de">http://service.grundig.de</a> ".		
0001.000		759551534700	GEH.- VORDERTEIL ROT		FRONT CABINET RED		
0002.000		759551530700	RUECKWAND SCHWARZ		BACK COVER BLACK		
0003.000		759551521800	ABDECKUNG SCHWARZ		COVER BLACK		
0015.000		759551520000	LAUTSPRECHER 16R 3W/5W 60X29		LOUDSPEAKER 16R 3W/5W 60X29		
0020.000	△	759551505600	LCD-DISPLAY LGD LM185WH1-TLA4		LCD-DISPLAY LGD LM185WH1-TLA4		
0021.000		759551519600	KABEL DISPLAY-LVDS 400MM		CABLE DISPLAY-LVDS 400MM		
0022.000	△	759551350200	NETZKABEL 150 CM		POWER CABLE 150 CM		
0023.000	△	275990309100	NETZADAPTER 12V 4,16 A		POWER ADAPTOR 12V / 4.16A		
0024.000	△	275990309800	LP-INVERTERMODUL	X	INVERTOR BOARD		
0025.000	△	275991105900	LP-CHASSISMODUL T5 (B7R)	X	CHASSIS BOARD T5 (B7R)		
0027.000		720117145700	FERNBEDIENUNG RC 23		REMOTE CONTROL RC 23		
0028.000		720117145300	FERNBEDIENUNG TP EASY SCHWARZ		REMOTE CONTROL TP EASY BLACK		
0030.000		275990210000	TASTSCHALTER		KEY SWITCH		
0032.000		759551504200	IR-EMPFÄNGER TSOP38438		IR RECEIVER TSOP38438		
0090.000		759551520100	KARTON		CARTON		
0091.000		759551520200	POLSTER OBEN		CUSHION TOP		
0092.000		759551520300	POLSTER BODEN		CUSHION BOTTOM		
			DIE BEDIENUNGSANLEITUNG KOENNEN SIE IM INTERNET UNTER FOLGENDER ADRESSE ABRUFEN: WWW.GRUNDIG.DE MENU: DOWNLOADS		THE INSTRUCTION MANUAL CAN BE DOWNLOADED FROM THE INTERNET UNDER THE FOLLOWING ADDRESS: WWW.GRUNDIG.DE MENU: DOWNLOADS		
		720100546000	SERVICE MANUAL D/GB		SERVICE MANUAL D/GB		
		720108000001	SICHERHEITSMANUAL D/GB/E/F/I		SAFETY SERVICE MANUAL D/GB/E/F/I		
			X = SIEHE GESONDERTE E-LISTE		X = SEE SEPARATE PARTS LIST		

POS. NR. ABB.		MATERIAL-NR.		ANZ.	BEZEICHNUNG	BESTELL-NR. / ORDER NO.: GBI4219 (HRZ)	
POS. NO.	FIG.	PART NUMBER	QTY.		DESCRIPTION		
		GBI4219	LEEMAXX 19 HD/CR WG PRODUKTCODE HRZ KEIN E-TEIL		LEEMAXX 19 HD/CR WG PRODUCT CODE HRZ NO SPARE PART		
			<b>Hinweis:</b> Sollte in dieser Ersatzteilliste Ihr "Product Code" oder Ihre Display-Variante nicht aufgeführt sein, finden Sie eine aktualisierte Version auf dem GRUNDIG Service-Portal " <a href="http://service.grundig.de">http://service.grundig.de</a> ".		<b>Note:</b> If your "Product Code" or display variant is not mentioned in the spare parts list, please look for a current version at the GRUNDIG service portal " <a href="http://service.grundig.de">http://service.grundig.de</a> ".		
0001.000		759551530900	GEH.- VORDERTEIL GRUEN		FRONT CABINET GREEN		
0002.000		759551530800	RUECKWAND WEISS		BACK COVER WHITE		
0003.000		759551519900	ABDECKUNG WEISS		COVER WHITE		
0015.000		759551520000	LAUTSPRECHER 16R 3W/5W 60X29		LOUDSPEAKER 16R 3W/5W 60X29		
0020.000	△	759551505600	LCD-DISPLAY LGD LM185WH1-TLA4		LCD-DISPLAY LGD LM185WH1-TLA4		
0021.000		759551519600	KABEL DISPLAY-LVDS 400MM		CABLE DISPLAY-LVDS 400MM		
0022.000	△	759551350200	NETZKABEL 150 CM		POWER CABLE 150 CM		
0023.000	△	275990309100	NETZADAPTER 12V 4,16 A		POWER ADAPTOR 12V / 4.16A		
0024.000	△	275990309800	LP-INVERTERMODUL	X	INVERTOR BOARD		
0025.000	△	275991105900	LP-CHASSISMODUL T5 (B7R)	X	CHASSIS BOARD T5 (B7R)		
0027.000		720117145700	FERNBEDIENUNG RC 23		REMOTE CONTROL RC 23		
0028.000		720117145400	FERNBEDIENUNG TP EASY WEISS		REMOTE CONTROL TP EASY WHITE		
0030.000		275990210000	TASTSCHALTER		KEY SWITCH		
0032.000		759551504200	IR-EMPFÄNGER TSOP38438		IR RECEIVER TSOP38438		
0090.000		759551520100	KARTON		CARTON		
0091.000		759551520200	POLSTER OBEN		CUSHION TOP		
0092.000		759551520300	POLSTER BODEN		CUSHION BOTTOM		
			DIE BEDIENUNGSANLEITUNG KOENNEN SIE IM INTERNET UNTER FOLGENDER ADRESSE ABRUFEN: WWW.GRUNDIG.DE MENU: DOWNLOADS		THE INSTRUCTION MANUAL CAN BE DOWNLOADED FROM THE INTERNET UNDER THE FOLLOWING ADDRESS: WWW.GRUNDIG.DE MENU: DOWNLOADS		
		720100546000	SERVICE MANUAL D/GB		SERVICE MANUAL D/GB		
		720108000001	SICHERHEITSMANUAL D/GB/E/F/I		SAFETY SERVICE MANUAL D/GB/E/F/I		
			X = SIEHE GESONDERTE E-LISTE		X = SEE SEPARATE PARTS LIST		

3 - 11

Es gelten die Vorschriften und Sicherheitshinweise gemäß dem Service Manual "Sicherheit", Mat.-Nummer 720108000001, sowie zusätzlich die eventuell abweichenden, landesspezifischen Vorschriften!



The regulations and safety instructions shall be valid as provided by the "Safety" Service Manual, part number 720108000001, as well as the respective national deviations.

ÄNDERUNGEN VORBEHALTEN / SUBJECT TO ALTERATION

Es gelten die Vorschriften und Sicherheitshinweise gemäß dem Service Manual "Sicherheit", Mat.-Nummer 720108000001, sowie zusätzlich die eventuell abweichenden, landesspezifischen Vorschriften!



The regulations and safety instructions shall be valid as provided by the "Safety" Service Manual, part number 720108000001, as well as the respective national deviations.

ÄNDERUNGEN VORBEHALTEN / SUBJECT TO ALTERATION



Ersatzteilliste  
Spare Parts List

NUR FÜR INTERNEN GEBRAUCH  
FOR INTERNAL USE ONLY

TV

7 / 2010

LEEMAXX 19 HD/CR WP

BESTELL-NR. / ORDER NO.: GB14319 (HRY)

POS. NR. POS. NO.	ABB. FIG.	MATERIAL-NR. PART NUMBER	ANZ. QTY.	BEZEICHNUNG D	DESCRIPTION GB
<p>GB14319 LEEMAXX 19 HD/CR WP PRODUKTCODE HRY KEIN E-TEIL</p> <p><b>Hinweis:</b> Sollte in dieser Ersatzteilliste Ihr "Product Code" oder Ihre Display-Variante nicht aufgeführt sein, finden Sie eine aktualisierte Version auf dem GRUNDIG Service-Portal "<a href="http://service.grundig.de">http://service.grundig.de</a>".</p> <p><b>Note:</b> If your "Product Code" or display variant is not mentioned in the spare parts list, please look for a current version at the GRUNDIG service portal "<a href="http://service.grundig.de">http://service.grundig.de</a>".</p>					
0001.000		759551522000		GEH.-VORDERTEIL PINK	FRONT CABINET PINK
0002.000		759551530800		RUECKWAND WEISS	BACK COVER WHITE
0003.000		759551519900		ABDECKUNG WEISS	COVER WHITE
0015.000		759551520000		LAUTSPRECHER 16R 3W/5W 60X29	LOUDSPEAKER 16R 3W/5W 60X29
0020.000	△	759551505600		LCD-DISPLAY LGD LM185WH1-TLA4	LCD-DISPLAY LGD LM185WH1-TLA4
0021.000		759551519600		KABEL DISPLAY-LVDS 400MM	CABLE DISPLAY-LVDS 400MM
0022.000	△	759551350200		NETZKABEL 150 CM	POWER CABLE 150 CM
0023.000	△	275990309100		NETZADAPTER 12V 4,16 A	POWER ADAPTOR 12V / 4.16A
0024.000	△	275990309800	X	LP-INVERTERMODUL	INVERTOR BOARD
0025.000	△	275991105900	X	LP-CHASSISMODUL T5 (B7R)	CHASSIS BOARD T5 (B7R)
0027.000		720117145700		FERNBEDIENUNG RC 23	REMOTE CONTROL RC 23
0028.000		720117145400		FERNBEDIENUNG TP EASY WEISS	REMOTE CONTROL TP EASY WHITE
0030.000		275990210000		TASTSCHALTER	KEY SWITCH
0032.000		759551504200		IR-EMPFÄNGER TSOP38438	IR RECEIVER TSOP38438
0090.000		759551520100		KARTON	CARTON
0091.000		759551520200		POLSTER OBEN	CUSHION TOP
0092.000		759551520300		POLSTER BODEN	CUSHION BOTTOM
<p>DIE BEDIENUNGSANLEITUNG KOENNEN SIE IM INTERNET UNTER FOLGENDER ADRESSE ABRUFEN: WWW.GRUNDIG.DE MENU: DOWNLOADS</p> <p>THE INSTRUCTION MANUAL CAN BE DOWNLOADED FROM THE INTERNET UNDER THE FOLLOWING ADDRESS: WWW.GRUNDIG.DE MENU: DOWNLOADS</p>					
720100546000		SERVICE MANUAL D/GB		SERVICE MANUAL D/GB	SERVICE MANUAL D/GB
720108000001		SICHERHEITSMANUAL D/GB/E/F/I		SAFETY SERVICE MANUAL D/GB/E/F/I	SAFETY SERVICE MANUAL D/GB/E/F/I
<p>X = SIEHE GESONDERTE E-LISTE X = SEE SEPARATE PARTS LIST</p>					

Ersatzteilliste  
Spare Parts List

NUR FÜR INTERNEN GEBRAUCH  
FOR INTERNAL USE ONLY

TV

6 / 2010

LEEMAXX 19 HD/CR WS

BESTELL-NR. / ORDER NO.: GB13919 (HSH)

POS. NR. POS. NO.	ABB. FIG.	MATERIAL-NR. PART NUMBER	ANZ. QTY.	BEZEICHNUNG D	DESCRIPTION GB
<p>GB13919 LEEMAXX 19 HD/CR WS PRODUKTCODE HSH KEIN E-TEIL</p> <p><b>Hinweis:</b> Sollte in dieser Ersatzteilliste Ihr "Product Code" oder Ihre Display-Variante nicht aufgeführt sein, finden Sie eine aktualisierte Version auf dem GRUNDIG Service-Portal "<a href="http://service.grundig.de">http://service.grundig.de</a>".</p> <p><b>Note:</b> If your "Product Code" or display variant is not mentioned in the spare parts list, please look for a current version at the GRUNDIG service portal "<a href="http://service.grundig.de">http://service.grundig.de</a>".</p>					
0001.000		759551539000		GEH.- VORDERTEIL SILBER	FRONT CABINET SILVER
0002.000		759551530800		RUECKWAND WEISS	BACK COVER WHITE
0003.000		759551519900		ABDECKUNG WEISS	COVER WHITE
0015.000		759551520000		LAUTSPRECHER 16R 3W/5W 60X29	LOUDSPEAKER 16R 3W/5W 60X29
0020.000	△	759551505600		LCD-DISPLAY LGD LM185WH1-TLA4	LCD-DISPLAY LGD LM185WH1-TLA4
0021.000		759551519600		KABEL DISPLAY-LVDS 400MM	CABLE DISPLAY-LVDS 400MM
0022.000	△	759551350200		NETZKABEL 150 CM	POWER CABLE 150 CM
0023.000	△	275990309100		NETZADAPTER 12V 4,16 A	POWER ADAPTOR 12V / 4.16A
0024.000	△	275990309800	X	LP-INVERTERMODUL	INVERTOR BOARD
0025.000	△	275991105900	X	LP-CHASSISMODUL T5 (B7R)	CHASSIS BOARD T5 (B7R)
0027.000		720117145700		FERNBEDIENUNG RC 23	REMOTE CONTROL RC 23
0028.000		720117145400		FERNBEDIENUNG TP EASY WEISS	REMOTE CONTROL TP EASY WHITE
0030.000		275990210000		TASTSCHALTER	KEY SWITCH
0032.000		759551504200		IR-EMPFÄNGER TSOP38438	IR RECEIVER TSOP38438
0090.000		759551520100		KARTON	CARTON
0091.000		759551520200		POLSTER OBEN	CUSHION TOP
0092.000		759551520300		POLSTER BODEN	CUSHION BOTTOM
<p>DIE BEDIENUNGSANLEITUNG KOENNEN SIE IM INTERNET UNTER FOLGENDER ADRESSE ABRUFEN: WWW.GRUNDIG.DE MENU: DOWNLOADS</p> <p>THE INSTRUCTION MANUAL CAN BE DOWNLOADED FROM THE INTERNET UNDER THE FOLLOWING ADDRESS: WWW.GRUNDIG.DE MENU: DOWNLOADS</p>					
720100546000		SERVICE MANUAL D/GB		SERVICE MANUAL D/GB	SERVICE MANUAL D/GB
720108000001		SICHERHEITSMANUAL D/GB/E/F/I		SAFETY SERVICE MANUAL D/GB/E/F/I	SAFETY SERVICE MANUAL D/GB/E/F/I
<p>X = SIEHE GESONDERTE E-LISTE X = SEE SEPARATE PARTS LIST</p>					

Es gelten die Vorschriften und Sicherheitshinweise gemäß dem Service Manual "Sicherheit", Mat.-Nummer 720108000001, sowie zusätzlich die eventuell abweichenden, landesspezifischen Vorschriften!



The regulations and safety instructions shall be valid as provided by the "Safety" Service Manual, part number 720108000001, as well as the respective national deviations.

ÄNDERUNGEN VORBEHALTEN / SUBJECT TO ALTERATION

Es gelten die Vorschriften und Sicherheitshinweise gemäß dem Service Manual "Sicherheit", Mat.-Nummer 720108000001, sowie zusätzlich die eventuell abweichenden, landesspezifischen Vorschriften!



The regulations and safety instructions shall be valid as provided by the "Safety" Service Manual, part number 720108000001, as well as the respective national deviations.

ÄNDERUNGEN VORBEHALTEN / SUBJECT TO ALTERATION

Ersatzteilliste  
Spare Parts List

NUR FÜR INTERNEN GEBRAUCH  
FOR INTERNAL USE ONLY

TV

6 / 2010

LEEMAXX 19 T4

BESTELL-NR. / ORDER NO.: GBH4920 (HJB)

POS. NR. POS. NO.	ABB. FIG.	MATERIAL-NR. PART NUMBER	ANZ. QTY.	BEZEICHNUNG (D)	DESCRIPTION (GB)
GBH4920					
LEEMAXX 19 T4 (SCHWARZ) PRODUKTCODE <b>HJB</b> KEIN E-TEIL			LEEMAXX 19 T4 (BLACK) PRODUCT CODE <b>HJB</b> NO SPARE PART		
<b>Hinweis:</b> Sollte in dieser Ersatzteilliste Ihr "Product Code" oder Ihre Display-Variante nicht aufgeführt sein, finden Sie eine aktualisierte Version auf dem GRUNDIG Service-Portal <a href="http://service.grundig.de">"http://service.grundig.de"</a> .			<b>Note:</b> If your "Product Code" or display variant is not mentioned in the spare parts list, please look for a current version at the GRUNDIG service portal <a href="http://service.grundig.de">"http://service.grundig.de"</a> .		
0001.000		759551530600		GEH.- VORDERTEIL SCHWARZ	FRONT CABINET BLACK
0002.000		759551530700		RUECKWAND SCHWARZ	BACK COVER BLACK
0003.000		759551521800		ABDECKUNG SCHWARZ	COVER BLACK
0015.000		759551520000		LAUTSPRECHER 16R 3W/5W 60X29	LOUDSPEAKER 16R 3W/5W 60X29
0020.000	△	759551505600		LCD-DISPLAY LM185WH1-TLA4	LCD-DISPLAY LM185WH1-TLA4
0021.000		759551519600		KABEL DISPLAY-LVDS 400MM	CABLE DISPLAY-LVDS 400MM
0022.000	△	759551350200		NETZKABEL 150 CM	POWER CABLE 150 CM
0023.000	△	275990309100		NETZADAPTER 12V 4,16 A	POWER ADAPTOR 12V / 4.16A
0024.000	△	275990309800	X	LP-INVERTERMODUL	INVERTOR BOARD
0025.000	△	275991082800	X	LP-CHASSISMODUL T5 (HDA)	CHASSIS BOARD T5 (HDA)
0027.000		720117145700		FERNBEDIENUNG RC 23	REMOTE CONTROL RC 23
0028.000		720117145300		FERNBEDIENUNG TP EASY SCHWARZ	REMOTE CONTROL TP EASY BLACK
0030.000		275990210000		TASTSCHALTER	KEY SWITCH
0032.000		759551504200		IR-EMPFÄNGER TSOP38438	IR RECEIVER TSOP38438
0033.000		759551541500		LED 5MM 3,5 V	LED 5MM 3,5 V
0090.000		759551520100		KARTON	CARTON
0091.000		759551520200		POLSTER OBEN	CUSHION TOP
0092.000		759551520300		POLSTER BODEN	CUSHION BOTTOM
DIE BEDIENUNGSANLEITUNG KOENNEN SIE IM INTERNET UNTER FOLGENDER ADRESSE ABRUFEN: WWW.GRUNDIG.DE MENU: DOWNLOADS			THE INSTRUCTION MANUAL CAN BE DOWNLOADED FROM THE INTERNET UNDER THE FOLLOWING ADDRESS: WWW.GRUNDIG.DE MENU: DOWNLOADS		
720100546000		SERVICE MANUAL D/GB		SERVICE MANUAL D/GB	SERVICE MANUAL D/GB
720108000001		SICHERHEITSMANUAL D/GB/E/F/I		SAFETY SERVICE MANUAL D/GB/E/F/I	SAFETY SERVICE MANUAL D/GB/E/F/I
X = SIEHE GESONDERTE E-LISTE			X = SEE SEPARATE PARTS LIST		

Ersatzteilliste  
Spare Parts List

NUR FÜR INTERNEN GEBRAUCH  
FOR INTERNAL USE ONLY

TV

12 / 2009

LEEMAXX 19 T4

BESTELL-NR. / ORDER NO.: GBH4921 (HDA, HJC)

POS. NR. POS. NO.	ABB. FIG.	MATERIAL-NR. PART NUMBER	ANZ. QTY.	BEZEICHNUNG (D)	DESCRIPTION (GB)
GBH4921					
LEEMAXX 19 T4 (WEISS) PRODUKTCODE <b>HDA</b> KEIN E-TEIL			LEEMAXX 19 T4 (WEISS) PRODUCT CODE <b>HDA</b> NO SPARE PART		
<b>Hinweis:</b> Sollte in dieser Ersatzteilliste Ihr "Product Code" oder Ihre Display-Variante nicht aufgeführt sein, finden Sie eine aktualisierte Version auf dem GRUNDIG Service-Portal <a href="http://service.grundig.de">"http://service.grundig.de"</a> .			<b>Note:</b> If your "Product Code" or display variant is not mentioned in the spare parts list, please look for a current version at the GRUNDIG service portal <a href="http://service.grundig.de">"http://service.grundig.de"</a> .		
0001.000		759551519700		GEH.-VORDERTEIL WEISS	FRONT CABINET WHITE
0002.000		759551519800		RUECKWAND WEISS	BACK COVER WHITE
0003.000		759551519900		ABDECKUNG WEISS	COVER WHITE
0015.000		759551520000		LAUTSPRECHER 16R 3W/5W 60X29	LOUDSPEAKER 16R 3W/5W 60X29
0020.000	△	759551505600		LCD-DISPLAY LM185WH1-TLA4*1	LCD-DISPLAY LM185WH1-TLA4*1
0020.000	△	759551495600		LCD-DISPLAY LTM185AT01-001*2	LCD-DISPLAY LTM185AT01-001*2
0021.000		759551519600		KABEL DISPLAY-LVDS 400MM*1	CABLE DISPLAY-LVDS 400MM*1
0021.000		759551520400		KABEL DISPLAY-LVDS 400MM*2	CABLE DISPLAY-LVDS 400MM*2
0022.000	△	759551350200		NETZKABEL 150 CM	POWER CABLE 150 CM
0023.000	△	275990309100		NETZADAPTER 12V 4,16 A	POWER ADAPTOR 12V / 4.16A
0024.000	△	275991082900	X	LP-INVERTERMODUL	INVERTOR BOARD
0025.000	△	275991082800	X	LP-CHASSISMODUL T5 (HDA)*1	CHASSIS BOARD T5 (HDA)*1
0025.000	△	275991083000	X	LP-CHASSISMODUL T5 (HCF)*2	CHASSIS BOARD T5 (HCF)*2
0027.000		720117145200		FERNBEDIENUNG RC 23	REMOTE CONTROL RC 23
0030.000		275990210000		TASTSCHALTER	KEY SWITCH
0032.000		759551504200		IR-EMPFÄNGER TSOP38438	IR RECEIVER TSOP38438
0090.000		759551520100		KARTON	CARTON
0091.000		759551520200		POLSTER OBEN	CUSHION TOP
0092.000		759551520300		POLSTER BODEN	CUSHION BOTTOM
DIE BEDIENUNGSANLEITUNG KOENNEN SIE IM INTERNET UNTER FOLGENDER ADRESSE ABRUFEN: WWW.GRUNDIG.DE MENU: DOWNLOADS			THE INSTRUCTION MANUAL CAN BE DOWNLOADED FROM THE INTERNET UNDER THE FOLLOWING ADDRESS: WWW.GRUNDIG.COM MENU: DOWNLOADS		
720100546000		SERVICE MANUAL D/GB		SERVICE MANUAL D/GB	SERVICE MANUAL D/GB
720108000001		SICHERHEITSMANUAL D/GB/E/F/I		SAFETY SERVICE MANUAL D/GB/E/F/I	SAFETY SERVICE MANUAL D/GB/E/F/I
X = SIEHE GESONDERTE E-LISTE			X = SEE SEPARATE PARTS LIST		

GBH4921					
LEEMAXX 19 T4 (WEISS) PRODUKTCODE <b>HJC</b> KEIN E-TEIL			LEEMAXX 19 T4 (WEISS) PRODUCT CODE <b>HJC</b> NO SPARE PART		
0001.000		759551519700		GEH.-VORDERTEIL WEISS	FRONT CABINET WHITE
0002.000		759551530800		RUECKWAND WEISS	BACK COVER WHITE
0003.000		759551519900		ABDECKUNG WEISS	COVER WHITE
0015.000		759551520000		LAUTSPRECHER 16R 3W/5W 60X29	LOUDSPEAKER 16R 3W/5W 60X29
0020.000	△	759551505600		LCD-DISPLAY LGD LM185WH1-TLA4	LCD-DISPLAY LGD LM185WH1-TLA4
0021.000		759551519600		KABEL DISPLAY-LVDS 400MM	CABLE DISPLAY-LVDS 400MM
0022.000	△	759551350200		NETZKABEL 150 CM	POWER CABLE 150 CM
0023.000	△	275990309100		NETZADAPTER 12V 4,16 A	POWER ADAPTOR 12V / 4.16A
0024.000	△	275990309800	X	LP-INVERTERMODUL	INVERTOR BOARD
0025.000	△	275991082800	X	LP-CHASSISMODUL T5 (HDA)	CHASSIS BOARD T5 (HDA)
0027.000		720117145700		FERNBEDIENUNG RC 23	REMOTE CONTROL RC 23

Es gelten die Vorschriften und Sicherheitshinweise gemäß dem Service Manual "Sicherheit", Mat.-Nummer 720108000001, sowie zusätzlich die eventuell abweichenden, landesspezifischen Vorschriften!



The regulations and safety instructions shall be valid as provided by the "Safety" Service Manual, part number 720108000001, as well as the respective national deviations.

ÄNDERUNGEN VORBEHALTEN / SUBJECT TO ALTERATION

ÄNDERUNGEN VORBEHALTEN / SUBJECT TO ALTERATION

POS. NR. ABB. POS. NO. FIG.	MATERIAL-NR. PART NUMBER	ANZ. QTY.	BEZEICHNUNG (D)	DESCRIPTION (GB)
0028.000	720117145400		FERNBEDIENUNG TP EASY WEISS	REMOTE CONTROL TP EASY WHITE
0030.000	275990210000		TASTSCHALTER	KEY SWITCH
0032.000	759551504200		IR-EMPFAENGER TSOP38438	IR RECEIVER TSOP38438
0033.000	759551541500		LED 5MM 3,5 V	LED 5MM 3,5 V
0090.000	759551520100		KARTON	CARTON
0091.000	759551520200		POLSTER OBEN	CUSHION TOP
0092.000	759551520300		POLSTER BODEN	CUSHION BOTTOM
			DIE BEDIENUNGSANLEITUNG KOENNEN SIE IM INTERNET UNTER FOLGENDER ADRESSE ABRUFEN: WWW.GRUNDIG.DE MENU: DOWNLOADS	THE INSTRUCTION MANUAL CAN BE DOWNLOADED FROM THE INTERNET UNDER THE FOLLOWING ADDRESS: WWW.GRUNDIG.COM MENU: DOWNLOADS
	720100546000 720108000001		SERVICE MANUAL D/GB SICHERHEITSMANUAL D/GB/E/F/I  X = SIEHE GESONDERTE E-LISTE	SERVICE MANUAL D/GB SAFETY SERVICE MANUAL D/GB/E/F/I  X = SEE SEPARATE PARTS LIST

Ersatzteilliste  
Spare Parts List

NUR FÜR INTERNEN GEBRAUCH  
FOR INTERNAL USE ONLY

TV

6 / 2010

LEEMAXX 19 T4

BESTELL-NR. / ORDER NO.: GBI5519 (HSN)

POS. NR. ABB. POS. NO. FIG.	MATERIAL-NR. PART NUMBER	ANZ. QTY.	BEZEICHNUNG (D)	DESCRIPTION (GB)
	GBI5519		LEEMAXX 19 T4 PRODUKTCODE HSN KEIN E-TEIL	LEEMAXX 19 T4 PRODUCT CODE HSN NO SPARE PART
			<b>Hinweis:</b> Sollte in dieser Ersatzteilliste Ihr "Product Code" oder Ihre Display-Variante nicht aufgeführt sein, finden Sie eine aktualisierte Version auf dem GRUNDIG Service-Portal " <a href="http://service.grundig.de">http://service.grundig.de</a> ".	<b>Note:</b> If your "Product Code" or display variant is not mentioned in the spare parts list, please look for a current version at the GRUNDIG service portal " <a href="http://service.grundig.de">http://service.grundig.de</a> ".
0001.000	759551539000		GEH.- VORDERTEIL SILBER	FRONT CABINET SILVER
0002.000	759551530800		RUECKWAND WEISS	BACK COVER WHITE
0003.000	759551519900		ABDECKUNG WEISS	COVER WHITE
0015.000	759551520000		LAUTSPRECHER 16R 3W/5W 60X29	LOUDSPEAKER 16R 3W/5W 60X29
0020.000	759551505600		LCD-DISPLAY LGD LM185WH1-TLA4	LCD-DISPLAY LGD LM185WH1-TLA4
0021.000	759551519600		KABEL DISPLAY-LVDS 400MM	CABLE DISPLAY-LVDS 400MM
0022.000	759551350200		NETZKABEL 150 CM	POWER CABLE 150 CM
0023.000	275990309100		NETZADAPTER 12V 4,16 A	POWER ADAPTOR 12V / 4.16A
0024.000	275990309800	X	LP-INVERTERMODUL	INVERTOR BOARD
0025.000	275991109300	X	LP-CHASSISMODUL T5 (HSM)	CHASSISBOARD T5 (HSM)
0027.000	720117145700		FERNBEDIENUNG RC 23	REMOTE CONTROL RC 23
0028.000	720117145400		FERNBEDIENUNG TP EASY WEISS	REMOTE CONTROL TP EASY WHITE
0030.000	275990210000		TASTSCHALTER	KEY SWITCH
0032.000	759551504200		IR-EMPFAENGER TSOP38438	IR RECEIVER TSOP38438
0033.000	759551541500		LED 5MM 3,5 V	LED 5MM 3,5 V
0090.000	759551520100		KARTON	CARTON
0091.000	759551520200		POLSTER OBEN	CUSHION TOP
0092.000	759551520300		POLSTER BODEN	CUSHION BOTTOM
			DIE BEDIENUNGSANLEITUNG KOENNEN SIE IM INTERNET UNTER FOLGENDER ADRESSE ABRUFEN: WWW.GRUNDIG.DE MENU: DOWNLOADS	THE INSTRUCTION MANUAL CAN BE DOWNLOADED FROM THE INTERNET UNDER THE FOLLOWING ADDRESS: WWW.GRUNDIG.DE MENU: DOWNLOADS
	720100546000 720108000001		SERVICE MANUAL D/GB SICHERHEITSMANUAL D/GB/E/F/I  X = SIEHE GESONDERTE E-LISTE	SERVICE MANUAL D/GB SAFETY SERVICE MANUAL D/GB/E/F/I  X = SEE SEPARATE PARTS LIST

3 - 14

Es gelten die Vorschriften und Sicherheitshinweise gemäß dem Service Manual "Sicherheit", Mat.-Nummer 720108000001, sowie zusätzlich die eventuell abweichenden, landesspezifischen Vorschriften!



The regulations and safety instructions shall be valid as provided by the "Safety" Service Manual, part number 720108000001, as well as the respective national deviations.

ÄNDERUNGEN VORBEHALTEN / SUBJECT TO ALTERATION

Es gelten die Vorschriften und Sicherheitshinweise gemäß dem Service Manual "Sicherheit", Mat.-Nummer 720108000001, sowie zusätzlich die eventuell abweichenden, landesspezifischen Vorschriften!



The regulations and safety instructions shall be valid as provided by the "Safety" Service Manual, part number 720108000001, as well as the respective national deviations.

ÄNDERUNGEN VORBEHALTEN / SUBJECT TO ALTERATION

Ersatzteilliste  
Spare Parts List

NUR FÜR INTERNEN GEBRAUCH  
FOR INTERNAL USE ONLY

TV

3 / 2010

VISION 22-2940 H

BESTELL-NR. / ORDER NO.: GBH8322 (GXQ)

POS. NR. POS. NO.	ABB. FIG.	MATERIAL-NR. PART NUMBER	ANZ. QTY.	BEZEICHNUNG (D)	DESCRIPTION (GB)
		GBH8322		VISION 22-2940 H PRODUKTCODE <b>GXQ</b> KEIN E-TEIL	VISION 22-2940 H PRODUCT CODE <b>GXQ</b> NO SPARE PART
				<b>Hinweis:</b> Sollte in dieser Ersatzteilliste Ihr "Product Code" oder Ihre Display-Variante nicht aufgeführt sein, finden Sie eine aktualisierte Version auf dem GRUNDIG Service-Portal <a href="http://service.grundig.de">"http://service.grundig.de"</a> .	<b>Note:</b> If your "Product Code" or display variant is not mentioned in the spare parts list, please look for a current version at the GRUNDIG service portal <a href="http://service.grundig.de">"http://service.grundig.de"</a> .
0001.000		759551506800		GEH.-VORDERTEIL SCHWARZ	FRONT CABINET BLACK
0002.000		759551506700		RUECKWAND SCHWARZ*1/*2/*3	BACK COVER BLACK*1/*2/*3
0002.000		759551547000		RUECKWAND SCHWARZ*4/*5	BACK COVER BLACK*4/*5
0005.000		759551493800		FUSS SCHWARZ*1/*2/*3	FOOT BLACK*1/*2/*3
0005.000		759551518100		FUSS SCHWARZ*4/*5	FOOT BLACK*4/*5
0006.000		759551507600		FUSS ZWISCHENSTUECK SCHWARZ	FOOT MIDDLE PART BLACK
0007.000		759551493600		KNOPF PROG./ON-OFF SCHWARZ	KNOB PROG./ON-OFF BLACK
0015.000		759551494700		LAUTSPRECHER 16 OHM 5/7 W	LOUDSPEAKER 16 OHM 5/7 W
0020.000	△	759551518200		LCD-DISPLAY LTA216AT01-S04*1	LCD-DISPLAY LTA216AT01-S04*1
0020.000	△	759551494900		LCD-DISPLAY LC220WXE-TBA1*2	LCD-DISPLAY LC220WXE-TBA1*2
0020.000	△	759551495500		LCD-DISPLAY LTA216AT01-002*3	LCD-DISPLAY LTA216AT01-002*3
0020.000	△	759551505800		LCD-DISPLAY T216XW01 V100*4	LCD-DISPLAY T216XW01 V100*4
0020.000	△	759551538700		LCD-DISPLAY LC220WXE-TBA1*5	LCD-DISPLAY LC220WXE-TBA1*5
0021.000		759551520900		KABEL-LVDS 100MM*1	CABLE-LVDS 100MM*1
0021.000		759551494800		KABEL-LVDS 120MM*2/*3/*4/*5	CABLE-LVDS 120MM*2/*3/*4/*5
0022.000	△	759551350200		NETZKABEL 150 CM	POWER CABLE 150 CM
0023.000	△	275990310000	X	LP-NETZTEILMOD.21.6T5/T6 *1/*3	POWER BOARD 21.6T5/T6*1/*3
0023.000	△	275990308700	X	LP-NETZTEILMOD.21.6T5/T6 *2/*4/*5	POWER BOARD 21.6T5/T6 *2/*4/*5
0024.000		275990209900		LP-UHRENMODUL	LP-CLOCKBOARD
0025.000	△	275991102400	X	LP-CHASSISMODUL T5 (E4Q)*1	CHASSIS BOARD T5 (E4Q)*1
0025.000	△	275991106700	X	LP-CHASSISMODUL T5 (YYK)*2	CHASSIS BOARD T5 (YYK)*2
0025.000	△	275991109500	X	LP-CHASSISMODUL T5 (F4G)*3	CHASSIS BOARD T5 (F4G)*3
0025.000	△	275991112900	X	LP-CHASSISMODUL T5 (B9U)*4	CHASSIS BOARD T5 (B9U)*4
0025.000	△	275991113000	X	LP-CHASSISMODUL T5 (B8D)*5	CHASSIS BOARD T5 (B8D)*5
0027.000		720117145200		FERNBEDIENUNG RC 23	REMOTE CONTROL RC 23
0030.000		759550451400		TASTSCHALTER	KEY SWITCH
0031.000		275990230000		LP-TT/IR/LED MODUL T6	LP-TT/IR/LED MODUL T6
0032.000		759551504200		IR-EMPPFAENGER TSOP38438	IR RECEIVER TSOP38438
0033.000		759551541500		LED 5MM 3,5 V	LED 5MM 3,5 V
0090.000		759551495200		KARTON	CARTON
0091.000		759551495300		POLSTER OBEN	CUSHION TOP
0092.000		759551495400		POLSTER BODEN	CUSHION BOTTOM
				DIE BEDIENUNGSANLEITUNG KOENNEN SIE IM INTERNET UNTER FOLGENDER ADRESSE ABRUFEN: WWW.GRUNDIG.DE MENU: DOWNLOADS	THE INSTRUCTION MANUAL CAN BE DOWNLOADED FROM THE INTERNET UNDER THE FOLLOWING ADDRESS: WWW.GRUNDIG.DE MENU: DOWNLOADS
		720100546000		SERVICE MANUAL D/GB	SERVICE MANUAL D/GB
		720108000001		SICHERHEITSMANUAL D/GB/E/F/I	SAFETY SERVICE MANUAL D/GB/E/F/I
				X = SIEHE GESONDERTE E-LISTE	X = SEE SEPARATE PARTS LIST

Es gelten die Vorschriften und Sicherheitshinweise gemäß dem Service Manual "Sicherheit", Mat.-Nummer 720108000001, sowie zusätzlich die eventuell abweichenden, landesspezifischen Vorschriften!



The regulations and safety instructions shall be valid as provided by the "Safety" Service Manual, part number 720108000001, as well as the respective national deviations.

ÄNDERUNGEN VORBEHALTEN / SUBJECT TO ALTERATION

Ersatzteilliste  
Spare Parts List

NUR FÜR INTERNEN GEBRAUCH  
FOR INTERNAL USE ONLY

TV

3 / 2010

VISION 2 16-2941 T/C

BESTELL-NR. / ORDER NO.: GBH4026 (HGM)

POS. NR. POS. NO.	ABB. FIG.	MATERIAL-NR. PART NUMBER	ANZ. QTY.	BEZEICHNUNG (D)	DESCRIPTION (GB)
		GBH4026		VISION 2 16-2941 T/C PRODUKTCODE <b>HGM</b> KEIN E-TEIL	VISION 2 16-2941 T/C PRODUCT CODE <b>HGM</b> NO SPARE PART
				<b>Hinweis:</b> Sollte in dieser Ersatzteilliste Ihr "Product Code" oder Ihre Display-Variante nicht aufgeführt sein, finden Sie eine aktualisierte Version auf dem GRUNDIG Service-Portal <a href="http://service.grundig.de">"http://service.grundig.de"</a> .	<b>Note:</b> If your "Product Code" or display variant is not mentioned in the spare parts list, please look for a current version at the GRUNDIG service portal <a href="http://service.grundig.de">"http://service.grundig.de"</a> .
0001.000		759551436200		GEH.-VORDERTEIL SCHWARZ	FRONT CABINET BLACK
0002.000		759551523600		RUECKWAND SCHWARZ	BACK COVER BLACK
0005.000		759551436100		FUSS SCHWARZ	FOOT BLACK
0006.000		759551523700		ZWISCHENSTUECK FUSS SCHWARZ	MIDDLE PART FOOT BLACK
0007.000		759551435700		KNOPF PROG./ON-OFF SCHWARZ	KNOB PROG./ON-OFF BLACK
0015.000		759551389300		LAUTSPRECHER 3/5W 60X29	LOUDSPEAKER 3/5W 60X29
0020.000	△	759551534500		LCD-DISPLAY BOE HT156WX1-100*1	LCD-DISPLAY BOE HT156WX1-100*1
0020.000	△	759551523800		LCD-DISPLAY M156B1-L01 C1*2	LCD-DISPLAY M156B1-L01 C1*2
0021.000		759551494800		DISPLAY KABEL LVDS 30P 120MM	DISPLAY CABLE LVDS 30P 120MM
0022.000	△	759551350200		NETZKABEL 150 CM	POWER CABLE 150 CM
0023.000	△	275990310200	X	LP-NETZTEILMODUL 16W T5	POWER BOARD 16W T5 (PSU+INV)
0025.000	△	275991102600	X	LP-CHASSISMODUL T5 (HGM)*1	CHASSIS BOARD T5 (HGM)*1
0025.000	△	275991102700	X	LP-CHASSISMODUL T5 (N3E)*2	CHASSIS BOARD T5 (N3E)*2
0027.000		720117145200		FERNBEDIENUNG RC 23	REMOTE CONTROL RC 23
0030.000		759550451400		TASTSCHALTER	KEY SWITCH
0032.000		759551504200		IR-EMPPFAENGER TSOP38438	IR RECEIVER TSOP38438
0090.000		759551436000		KARTON	CARTON
0091.000		759551435800		POLSTER RECHTS	CUSHION RIGHT
0092.000		759551435900		POLSTER LINKS	CUSHION LEFT
				DIE BEDIENUNGSANLEITUNG KOENNEN SIE IM INTERNET UNTER FOLGENDER ADRESSE ABRUFEN: WWW.GRUNDIG.DE MENU: DOWNLOADS	THE INSTRUCTION MANUAL CAN BE DOWNLOADED FROM THE INTERNET UNDER THE FOLLOWING ADDRESS: WWW.GRUNDIG.DE MENU: DOWNLOADS
		720100546000		SERVICE MANUAL D/GB	SERVICE MANUAL D/GB
		720108000001		SICHERHEITSMANUAL D/GB/E/F/I	SAFETY SERVICE MANUAL D/GB/E/F/I
				X = SIEHE GESONDERTE E-LISTE	X = SEE SEPARATE PARTS LIST

Es gelten die Vorschriften und Sicherheitshinweise gemäß dem Service Manual "Sicherheit", Mat.-Nummer 720108000001, sowie zusätzlich die eventuell abweichenden, landesspezifischen Vorschriften!



The regulations and safety instructions shall be valid as provided by the "Safety" Service Manual, part number 720108000001, as well as the respective national deviations.

ÄNDERUNGEN VORBEHALTEN / SUBJECT TO ALTERATION

## Ersatzteilliste Spare Parts List

**NUR FÜR INTERNEN GEBRAUCH  
FOR INTERNAL USE ONLY**

# TV

### 7 / 2009

## VISION 2 19-2940 T

BESTELL-NR. / ORDER NO.: GBH4019 (GRY, HJD)

POS. NR. POS. NO.	ABB. FIG.	MATERIAL-NR. PART NUMBER	ANZ. QTY.	BEZEICHNUNG (D)	DESCRIPTION (GB)
		GBH4019		VISION 2 19-2940 T PRODUKTCODE <b>GRY</b> KEIN E-TEIL	VISION 2 19-2940 T PRODUKT CODE <b>GRY</b> NO SPARE PART
				<b>Hinweis:</b> Sollte in dieser Ersatzteilliste Ihr "Product Code" oder Ihre Display-Variante nicht aufgeführt sein, finden Sie eine aktualisierte Version auf dem GRUNDIG Service-Portal " <a href="http://service.grundig.de">http://service.grundig.de</a> ".	<b>Note:</b> If your "Product Code" or display variant is not mentioned in the spare parts list, please look for a current version at the GRUNDIG service portal " <a href="http://service.grundig.de">http://service.grundig.de</a> ".
0001.000		759551494000		GEH.-VORDERTEIL SCHWARZ	FRONT CABINET BLACK
0002.000		759551493900		RUECKTEIL SCHWARZ	BACK COVER BLACK
0005.000		759551495100		FUSS SCHWARZ	FOOT BLACK
0006.000		759551496300		ZWISCHENSTUECK FUSS SCHWARZ	MIDDLE PART STAND FOOT BLACK
0007.000		759551493600		KNOPF PROG./ON-OFF SCHWARZ	KNOB PROG. ON/OFF
0015.000		759551493300		LAUTSPRECHER 16 OHM 3/5 W	LOUDSPEAKER 16 OHM 3/5 W
0020.000	△	759551505500		LCD-DISPLAY M185XW01 V00D*1	LCD-DISPLAY M185XW01 V00D*1
0020.000	△	759551493100		LCD-DISPLAY LC190WH1-TLA1*2	LCD-DISPLAY LC190WH1-TLA1*2
0020.000	△	759551505600		LCD-DISPLAY LM185WH1-TLA4*3	LCD-DISPLAY LM185WH1-TLA4*3
0020.000	△	759551495600		LCD-DISPLAY LTM185AT01-001*4	LCD-DISPLAY LTM185AT01-001*4
0020.000	△	759551505900		LCD-DISPLAY LTM185AT01-R04*5	LCD-DISPLAY LTM185AT01-R04*5
0021.000		759551494800		KABEL LVDS 30P 120MM*1/4/5	CABLE LVDS 30P 120MM*1/4/5
0021.000		759551493200		KABEL LVDS 100MM*2/3	CABLE LVDS 100MM*2/3
0024.000	△	759551350200		NETZKABEL 150 CM	POWER CABLE 150 CM
0023.000	△	275990308600	X	LP-NETZTEILM.18.5 T5/T6*1/4/5	POWER BOARD 18.5 T5/T6*1/4/5
0023.000	△	275990308300	X	LP-NETZTEILM.18.5 T5/T6*2/3	POWER BOARD 18.5T5/T6*2/3
0025.000	△	275991083800	X	LP-CHASSISMODUL T5 (K6V)*1	CHASSISBOARD T5 (K6V)*1
0025.000	△	275991073000	X	LP-CHASSISMODUL T5 (CTK)*2	CHASSISBOARD T5 (CTK)*2
0025.000	△	275991074000	X	LP-CHASSISMODUL T5 (BAC)*3	CHASSISBOARD T5 (BAC)*3
0025.000	△	275991064900	X	LP-CHASSISMODUL T5 (EQW)*4	CHASSISBOARD T5 (EQW)*4
0025.000	△	275991074100	X	LP-CHASSISMODUL T5 (BRB)*5	CHASSISBOARD T5 (BRB)*5
0027.000		720117145700		FERNBEDIENUNG RC 23	REMOTE CONTROL RC 23
0030.000		759550451400		TASTSCHALTER	KEY SWITCH
0032.000		759551504200		IR-EMPPFAENGER TSOP38438	IR RECEIVER TSOP38438
0090.000		759551496100		KARTON	CARTON
0091.000		759551493400		POLSTER OBEN	CUSHION TOP
0092.000		759551493500		POLSTER BODEN	CUSHION BOTTOM
		720100546000		DIE BEDIENUNGSANLEITUNG KOENNEN SIE IM INTERNET UNTER FOLGENDER ADRESSE ABRUFEN: WWW.GRUNDIG.DE MENU: DOWNLOADS	THE INSTRUCTION MANUAL CAN BE DOWNLOADED FROM THE INTERNET UNDER THE FOLLOWING ADDRESS: WWW.GRUNDIG.COM MENU: DOWNLOADS
		720108000001		SERVICE MANUAL D/GB SICHERHEITSMANUAL D/GB/E/F/I	SERVICE MANUAL D/GB SAFETY SERVICE MANUAL D/GB/E/F/I
				X = SIEHE GESONDERTE E-LISTE	X = SEE SEPARATE PARTS LIST
		GBH4019		VISION 2 19-2940 T PRODUKTCODE <b>HJD</b> KEIN E-TEIL	VISION 2 19-2940 T PRODUCT CODE <b>HJD</b> NO SPARE PART
0001.000		759551494000		GEH.-VORDERTEIL SCHWARZ	FRONT CABINET BLACK
0002.000		759551493900		RUECKWAND SCHWARZ	BACK COVER BLACK
0005.000		759551493800		FUSS SCHWARZ	FOOT BLACK

ÄNDERUNGEN VORBEHALTEN / SUBJECT TO ALTERATION

POS. NR. POS. NO.	ABB. FIG.	MATERIAL-NR. PART NUMBER	ANZ. QTY.	BEZEICHNUNG (D)	DESCRIPTION (GB)
0006.000		759551496300		ZWISCHENSTUECK FUSS SCHWARZ	MIDDLE PART STAND FOOT BLACK
0007.000		759551493600		KNOPF PROG./ON-OFF SCHWARZ	KNOB PROG. ON/OFF BLACK
0015.000		759551493300		LAUTSPRECHER 16 OHM 3/5 W	LOUDSPEAKER 16 OHM 3/5 W
0020.000	△	759551505900		LCD-DISPLAY LTM185AT01-R04*1	LCD-DISPLAY LTM185AT01-R04*1
0020.000	△	759551505500		LCD-DISPLAY M185XW01 V00D*2	LCD-DISPLAY M185XW01 V00D*2
0020.000	△	759551505600		LCD-DISPLAY LM185WH1-TLA4*3	LCD-DISPLAY LM185WH1-TLA4*3
0021.000		759551494800		DISPLAY KABEL LVDS 120MM*1/2	DISPLAY CABLE LVDS 120MM*1/2
0021.000		759551493200		DISPLAY KABEL LVDS 100MM*3	DISPLAY CABLE LVDS 100MM*3
0022.000	△	759551350200		NETZKABEL 150 CM	POWER CABLE 150 CM
0023.000	△	275990308600	X	LP-NETZTEILMOD.18.5 T5/T6*1/2	POWER BOARD 18.5 T5/T6*1/2
0023.000	△	275990308300	X	LP-NETZTEILMOD.18.5 T5/T6*3	POWER BOARD 18.5 T5/T6*3
0025.000	△	275991074100	X	LP-CHASSISMODUL T5 (BRB)*1	CHASSISBOARD T5 (BRB)*1
0025.000	△	275991083800	X	LP-CHASSISMODUL T5 (K6V)*2	CHASSISBOARD T5 (K6V)*2
0025.000	△	275991074000	X	LP-CHASSISMODUL T5 (BAC)*3	CHASSISBOARD T5 (BAC)*3
0027.000		720117145700		FERNBEDIENUNG RC 23	REMOTE CONTROL RC 23
0030.000		759550451400		TASTSCHALTER	KEY SWITCH
0032.000		759551504200		IR-EMPPFAENGER TSOP38438	IR RECEIVER TSOP38438
0090.000		759551496100		KARTON	CARTON
0091.000		759551493400		POLSTER OBEN	CUSHION TOP
0092.000		759551493500		POLSTER BODEN	CUSHION BOTTOM
				DIE BEDIENUNGSANLEITUNG KOENNEN SIE IM INTERNET UNTER FOLGENDER ADRESSE ABRUFEN: WWW.GRUNDIG.DE MENU: DOWNLOADS	THE INSTRUCTION MANUAL CAN BE DOWNLOADED FROM THE INTERNET UNDER THE FOLLOWING ADDRESS: WWW.GRUNDIG.COM MENU: DOWNLOADS
		720100546000		SERVICE MANUAL D/GB	SERVICE MANUAL D/GB
		720108000001		SICHERHEITSMANUAL D/GB/E/F/I	SAFETY SERVICE MANUAL D/GB/E/F/I
				X = SIEHE GESONDERTE E-LISTE	X = SEE SEPARATE PARTS LIST

Es gelten die Vorschriften und Sicherheitshinweise gemäß dem Service Manual "Sicherheit", Mat.-Nummer 720108000001, sowie zusätzlich die eventuell abweichenden, landesspezifischen Vorschriften!



The regulations and safety instructions shall be valid as provided by the "Safety" Service Manual, part number 720108000001, as well as the respective national deviations.

ÄNDERUNGEN VORBEHALTEN / SUBJECT TO ALTERATION



Ersatzteilliste  
Spare Parts List

NUR FÜR INTERNEN GEBRAUCH  
FOR INTERNAL USE ONLY

TV

3 / 2010

VISION 2 19-2941 T/C

BESTELL-NR. / ORDER NO.: GBH4036 (HGN)

POS. NR. POS. NO.	ABB. FIG.	MATERIAL-NR. PART NUMBER	ANZ. QTY.	BEZEICHNUNG (D)	DESCRIPTION (GB)
		GBH4036		VISION 2 19-2941 T/C PRODUKT CODE HGN KEIN E-TEIL	VISION 2 19-2941 T/C PRODUCT CODE HGN NO SPARE PART
				<b>Hinweis:</b> Sollte in dieser Ersatzteilliste Ihr "Product Code" oder Ihre Display-Variante nicht aufgeführt sein, finden Sie eine aktualisierte Version auf dem GRUNDIG Service-Portal <a href="http://service.grundig.de">"http://service.grundig.de"</a> .	<b>Note:</b> If your "Product Code" or display variant is not mentioned in the spare parts list, please look for a current version at the GRUNDIG service portal <a href="http://service.grundig.de">"http://service.grundig.de"</a> .
0001.000		759551494000		GEH.-VORDERTEIL SCHWARZ	FRONT CABINET BLACK
0002.000		759551493900		RUECKWAND SCHWARZ*1/*2	BACK COVER BLACK*1/*2
0002.000		759551546500		RUECKWAND SCHWARZ*3	BACK COVER BLACK*3
0005.000		759551493800		FUSS SCHWARZ	FOOT BLACK
0006.000		759551493600		ZWISCHENSTUECK FUSS SCHWARZ*2	MIDDLE PART FOOT BLACK*2
0007.000		759551493600		KNOPF PROG./ON-OFF SCHWARZ	KNOPF PROG./ON-OFF BLACK
0015.000		759551493300		LAUTSPRECHER 16 OHM 3/5 W	LOUDSPEAKER 16 OHM 3/5 W
0020.000	△	759551505500		LCD-DISPLAY M185XW01 V00D*1	LCD-DISPLAY M185XW01 V00D*1
0020.000	△	759551505900		LCD-DISPLAY LTM185AT01-R04*2	LCD-DISPLAY LTM185AT01-R04*2
0020.000	△	759551505600		LCD-DISPLAY LM185WH1-TLA4*3	LCD-DISPLAY LM185WH1-TLA4*3
0021.000		759551494800		DISPLAY KABEL LVDS 120MM*1/*2	DISPLAY CABLE LVDS 120MM*1/2
0021.000		759551493200		DISPLAY KABEL LVDS 100MM*3	DISPLAY CABLE LVDS 100MM*3
0022.000	△	759551350200		NETZKABEL 150 CM	POWER CABLE 150 CM
0023.000	△	275990310300	X	LP-NETZTEILMODUL 18.5 T5 *1/*2	POWER BOARD 18.5 T5 *1/*2
0023.000	△	275990308300	X	LP-NETZTEILMODUL 18.5 T5/T6*3	POWER BOARD 18.5 T5/T6*3
0025.000	△	275991102800	X	LP-CHASSISMODUL T5 (B7L)*1	CHASSIS BOARD T5 (B7L)*1
0025.000	△	275991102900	X	LP-CHASSISMODUL T5 (HGP)*2	CHASSIS BOARD T5 (HGP)*2
0025.000	△	275991113100	X	LP-CHASSISMODUL T5 (B9W)*3	CHASSIS BOARD T5 (B9W)*3
0027.000		720117145700		FERNBEDIENUNG RC 23	REMOTE CONTROL RC 23
0030.000		759550451400		TASTSCHALTER	KEY SWITCH
0032.000		759551504200		IR-EMPFÄNGER TSOP38438	IR RECEIVER TSOP38438
0033.000		759551541500		LED BLAU 5MM 3,5V	LED BLAU 5MM 3,5V
0090.000		759551493700		KARTON	CARTON
0091.000		759551493400		POLSTER OBEN	CUSHION TOP
0092.000		759551493500		POLSTER BODEN	CUSHION BOTTOM
				DIE BEDIENUNGSANLEITUNG KOENNEN SIE IM INTERNET UNTER FOLGENDER ADRESSE ABRUFEN: WWW.GRUNDIG.DE MENU: DOWNLOADS	THE INSTRUCTION MANUAL CAN BE DOWNLOADED FROM THE INTERNET UNDER THE FOLLOWING ADDRESS: WWW.GRUNDIG.DE MENU: DOWNLOADS
		720100546000		SERVICE MANUAL D/GB	SERVICE MANUAL D/GB
		720108000001		SICHERHEITSMANUAL D/GB/E/F/I	SAFETY SERVICE MANUAL D/GB/E/F/I
				X = SIEHE GESONDERTE E-LISTE	X = SEE SEPARATE PARTS LIST

3 - 17

Es gelten die Vorschriften und Sicherheitshinweise gemäß dem Service Manual "Sicherheit", Mat.-Nummer 720108000001, sowie zusätzlich die eventuell abweichenden, landesspezifischen Vorschriften!



The regulations and safety instructions shall be valid as provided by the "Safety" Service Manual, part number 720108000001, as well as the respective national deviations.

ÄNDERUNGEN VORBEHALTEN / SUBJECT TO ALTERATION

Ersatzteilliste  
Spare Parts List

NUR FÜR INTERNEN GEBRAUCH  
FOR INTERNAL USE ONLY

TV

3 / 2010

VISION 2 19-2941 T/C

BESTELL-NR. / ORDER NO.: GBH4056 (HGP)

POS. NR. POS. NO.	ABB. FIG.	MATERIAL-NR. PART NUMBER	ANZ. QTY.	BEZEICHNUNG (D)	DESCRIPTION (GB)
		GBH4056		VISION 2 19-2941 T/C PRODUKT CODE HGP KEIN E-TEIL	VISION 2 19-2941 T/C WHITE PRODUCT CODE HGP NO SPARE PART
				<b>Hinweis:</b> Sollte in dieser Ersatzteilliste Ihr "Product Code" oder Ihre Display-Variante nicht aufgeführt sein, finden Sie eine aktualisierte Version auf dem GRUNDIG Service-Portal <a href="http://service.grundig.de">"http://service.grundig.de"</a> .	<b>Note:</b> If your "Product Code" or display variant is not mentioned in the spare parts list, please look for a current version at the GRUNDIG service portal <a href="http://service.grundig.de">"http://service.grundig.de"</a> .
0001.000		759551526600		GEH.- VORDERTEIL WEISS	FRONT CABINET WHITE
0002.000		759551526700		RUECKWAND WEISS	BACK COVER WHITE
0005.000		759551526800		FUSS SILBER	FOOT SILVER
0006.000		759551526900		ZWISCHENSTUECK FUSS WEISS	MIDDLE PART FOOT WHITE
0007.000		759551519000		KNOPF PROG./ON-OFF WEISS	KNOPF PROG./ON-OFF WHITE
0015.000		759551493300		LAUTSPRECHER 16 OHM 3/5 W	LOUDSPEAKER 16 OHM 3/5 W
0020.000	△	759551505500		LCD-DISPLAY M185XW01 V00D*1	LCD-DISPLAY M185XW01 V00D *1
0020.000	△	759551505900		LCD-DISPLAY LTM185AT01-R04*2	LCD-DISPLAY LTM185AT01-R04*2
0020.000	△	759551495600		LCD-DISPLAY LTM185AT01-001*3	LCD-DISPLAY LTM185AT01-001*3
0021.000		759551494800		DISPLAY KABEL LVDS 30P 120MM	DISPLAY CABLE LVDS 30P 120MM
0022.000	△	759551350200		NETZKABEL 150 CM	POWER CABLE 150 CM
0023.000	△	275990310300	X	LP-NETZTEILMODUL 18.5 T5 *1/*2	POWER BOARD 18.5 T5 *1/*2
0023.000	△	275990308600	X	LP-NETZTEILMODUL 18.5 T5/T6 *3	POWER BOARD 18.5 T5/T6 *3
0025.000	△	275991102800	X	LP-CHASSISMODUL T5 (B7L)*1	CHASSIS BOARD T5 (B7L)*1
0025.000	△	275991102900	X	LP-CHASSISMODUL T5 (HGP)*2	CHASSIS BOARD T5 (HGP)*2
0025.000	△	275991108800	X	LP-CHASSISMODUL T5 (HGN)*3	CHASSIS BOARD T5 (HGN)*3
0027.000		720117145700		FERNBEDIENUNG RC 23	REMOTE CONTROL RC 23
0030.000		759550451400		TASTSCHALTER	KEY SWITCH
0032.000		759551504200		IR-EMPFÄNGER TSOP38438	IR RECEIVER TSOP38438
0033.000		759551541500		LED 5MM 3,5V	LED 5MM 3,5V
0090.000		759551493700		KARTON	CARTON
0091.000		759551493400		POLSTER OBEN	CUSHION TOP
0092.000		759551493500		POLSTER BODEN	CUSHION BOTTOM
				DIE BEDIENUNGSANLEITUNG KOENNEN SIE IM INTERNET UNTER FOLGENDER ADRESSE ABRUFEN: WWW.GRUNDIG.DE MENU: DOWNLOADS	THE INSTRUCTION MANUAL CAN BE DOWNLOADED FROM THE INTERNET UNDER THE FOLLOWING ADDRESS: WWW.GRUNDIG.DE MENU: DOWNLOADS
		720100546000		SERVICE MANUAL D/GB	SERVICE MANUAL D/GB
		720108000001		SICHERHEITSMANUAL D/GB/E/F/I	SAFETY SERVICE MANUAL D/GB/E/F/I
				X = SIEHE GESONDERTE E-LISTE	X = SEE SEPARATE PARTS LIST

Es gelten die Vorschriften und Sicherheitshinweise gemäß dem Service Manual "Sicherheit", Mat.-Nummer 720108000001, sowie zusätzlich die eventuell abweichenden, landesspezifischen Vorschriften!



The regulations and safety instructions shall be valid as provided by the "Safety" Service Manual, part number 720108000001, as well as the respective national deviations.

ÄNDERUNGEN VORBEHALTEN / SUBJECT TO ALTERATION

Ersatzteilliste  
Spare Parts List

NUR FÜR INTERNEN GEBRAUCH  
FOR INTERNAL USE ONLY

TV

7 / 2009

VISION 2 22-2940 T

BESTELL-NR. / ORDER NO.: GBH4022 (GRZ, HJE)

POS. NR. POS. NO.	ABB. FIG.	MATERIAL-NR. PART NUMBER	ANZ. QTY.	BEZEICHNUNG (D)	DESCRIPTION (GB)
		GBH4022		VISION 2 22-2940 T PRODUKTCODE GRZ KEIN E-TEIL	VISION 2 22-2940 T NO SPARE PART
				<b>Hinweis:</b> Sollte in dieser Ersatzteilliste Ihr "Product Code" oder Ihre Display-Variante nicht aufgeführt sein, finden Sie eine aktualisierte Version auf dem GRUNDIG Service-Portal " <a href="http://service.grundig.de">http://service.grundig.de</a> ".	<b>Note:</b> If your "Product Code" or display variant is not mentioned in the spare parts list, please look for a current version at the GRUNDIG service portal " <a href="http://service.grundig.de">http://service.grundig.de</a> ".
0001.000		759551494600		GEH.-VORDERTEIL SCHWARZ	FRONT CABINET BLACK
0002.000		759551495000		RUECKWAND SCHWARZ	BACK COVER BLACK
0005.000		759551495100		FUSS SCHWARZ	FOOT BLACK
0006.000		759551507600		ZWISCHENSTUECK FUSS SCHWARZ	MIDDLE PART FOOT BLACK
0007.000		759551493600		KNOPF PROG./ON-OFF SCHWARZ	KNOB PROG./ON-OFF BLACK
0015.000		759551494700		LAUTSPRECHER 16 OHM 5/7 W 33X14	LOUDSPEAKER 16 OHM 5/7 W 33X14
0020.000	△	759551495500		LCD-DISPLAY LTA216AT01-002*1	LCD-DISPLAY LTA216AT01-002*1
0020.000	△	759551538700		LCD-DISPLAY LC220WXE-TBA1*2	LCD-DISPLAY LC220WXE-TBA1*2
0020.000	△	759551494900		LCD-DISPLAY LC220WXE-TBA1*3	LCD-DISPLAY LC220WXE-TBA1*3
0021.000		759551494800		DISPLAY KABEL LVDS 30P 120MM	DISPLAY CABLE LVDS 30P 120MM
0022.000	△	759551350200		NETZKABEL 150 CM	POWER CABLE 150 CM
0023.000	△	275990309300	X	LP-NETZTEILMOD.21.6 1*	POWER BOARD 21.6 *1
0023.000	△	275990308500	X	LP-NETZTEILMOD.21.6 T5/T6/D6*2*3	POWER BOARD 21.6 T5/T6/D6*2*3
0025.000	△	275991064800	X	LP-CHASSISMODUL T5 (BLP)*1	CHASSISBOARD T5 (BLP)*1
0025.000	△	275991112800	X	LP-CHASSISMODUL T5 (B7W)*2	CHASSISBOARD T5 (B7W)*2
0025.000	△	275991064700	X	LP-CHASSISMODUL T5 (GKT)*3	CHASSISBOARD T5 (GKT)*3
0027.000		720117145700		FERNBEDIENUNG RC 23	REMOTE CONTROL RC 23
0029.000		275990230000		LP-TT/IR/LED MODUL T6	TT/IR/LED BOARD T6
0030.000		759550451400		TASTSCHALTER	KEY SWITCH
0032.000		759551504200		IR-EMPPFAENGER TSOP38438	IR RECEIVER TSOP38438
0033.000		759551541500		LED BLAU 5MM 3,5V	LED BLAU 5MM 3,5V
0090.000		759551495200		KARTON	CARTON
0091.000		759551495300		POLSTER OBEN	CUSHION TOP
0092.000		759551495400		POLSTER BODEN	CUSHION BOTTOM
				DIE BEDIENUNGSANLEITUNG KOENNEN SIE IM INTERNET UNTER FOLGENDER ADRESSE ABRUFEN: WWW.GRUNDIG.DE MENU: DOWNLOADS	THE INSTRUCTION MANUAL CAN BE DOWNLOADED FROM THE INTERNET UNDER THE FOLLOWING ADDRESS: WWW.GRUNDIG.COM MENU: DOWNLOADS
		720100546000		SERVICE MANUAL D/GB	SERVICE MANUAL D/GB
		720108000001		SICHERHEITSMANUAL D/GB/E/F/I	SAFETY SERVICE MANUAL D/GB/E/F/I
				X = SIEHE GESONDERTE E-LISTE	X = SEE SEPARATE PARTS LIST
		GBH4022		VISION 2 22-2940 T PRODUKTCODE HJE KEIN E-TEIL	VISION 2 22-2940 T NO SPARE PART
0001.000		759551494600		GEH.-VORDERTEIL SCHWARZ	FRONT CABINET BLACK
0002.000		759551495000		RUECKWAND SCHWARZ	BACK COVER BLACK
0005.000		759551493800		FUSS SCHWARZ*1	FOOT BLACK*1
0005.000		759551518100		FUSS SCHWARZ*2	FOOT BLACK*2
0006.000		759551507600		FUSS ZWISCHENSTUECK SCHWARZ*1	FOOT MIDDLE PART BLACK*1

ÄNDERUNGEN VORBEHALTEN / SUBJECT TO ALTERATION

POS. NR. POS. NO.	ABB. FIG.	MATERIAL-NR. PART NUMBER	ANZ. QTY.	BEZEICHNUNG (D)	DESCRIPTION (GB)
0007.000		759551493600		KNOPF PROG./ON-OFF SCHWARZ	KNOB PROG./ON-OFF BLACK
0015.000		759551494700		LAUTSPRECHER 16 OHM 5/7 W	LOUDSPEAKER 16 OHM 5/7 W
0020.000	△	759551518200		LCD-DISPLAY LTA216AT01-S04*1	LCD-DISPLAY LTA216AT01-S04*1
0020.000	△	759551505800		LCD-DISPLAY T216XW01 V100*2	LCD-DISPLAY T216XW01 V100*2
0021.000		759551520900		KABEL DISPLAY-LVDS 100MM*1	CABLE DISPLAY-LVDS 100MM*1
0021.000		759551494800		KABEL DISPLAY-LVDS 120MM*2	CABLE DISPLAY-LVDS 120MM*2
0022.000	△	759551350200		NETZKABEL 150 CM	POWER CABLE 150 CM
0023.000	△	275990309300	X	LP-NETZTEILMOD.21.6 *1	POWER BOARD 21.6 (PSU+INV) *1
0023.000	△	275990308500	X	LP-NETZTEILMOD.21.6 T5/T6/D6*2	POWER BOARD 21.6 T5/T6/D6*2
0025.000	△	275991103000	X	LP-CHASSISMODUL T5 (E4N)*1	CHASSIS BOARD T5 (E4N)*1
0025.000	△	275991112200	X	LP-CHASSISMODUL T5 (F4E)*2	CHASSIS BOARD T5 (F4E)*2
0027.000		720117145700		FERNBEDIENUNG RC 23	REMOTE CONTROL RC 23
0029.000		275990230000		LP-TT/IR/LED MODUL T6	LP-TT/IR/LED MODUL T6
0030.000		759550451400		TASTSCHALTER	KEY SWITCH
0032.000		759551504200		IR-EMPPFAENGER TSOP38438	IR RECEIVER TSOP38438
0033.000		759551541500		LED BLAU 5MM 3,5V	LED BLAU 5MM 3,5V
0090.000		759551495200		KARTON	CARTON
0091.000		759551495300		POLSTER OBEN	CUSHION TOP
0092.000		759551495400		POLSTER BODEN	CUSHION BOTTOM
				DIE BEDIENUNGSANLEITUNG KOENNEN SIE IM INTERNET UNTER FOLGENDER ADRESSE ABRUFEN: WWW.GRUNDIG.DE MENU: DOWNLOADS	THE INSTRUCTION MANUAL CAN BE DOWNLOADED FROM THE INTERNET UNDER THE FOLLOWING ADDRESS: WWW.GRUNDIG.COM MENU: DOWNLOADS
		720100546000		SERVICE MANUAL D/GB	SERVICE MANUAL D/GB
		720108000001		SICHERHEITSMANUAL D/GB/E/F/I	SAFETY SERVICE MANUAL D/GB/E/F/I
				X = SIEHE GESONDERTE E-LISTE	X = SEE SEPARATE PARTS LIST

Es gelten die Vorschriften und Sicherheitshinweise gemäß dem Service Manual "Sicherheit", Mat.-Nummer 720108000001, sowie zusätzlich die eventuell abweichenden, landesspezifischen Vorschriften!



The regulations and safety instructions shall be valid as provided by the "Safety" Service Manual, part number 720108000001, as well as the respective national deviations.

ÄNDERUNGEN VORBEHALTEN / SUBJECT TO ALTERATION

Ersatzteilliste  
Spare Parts List

NUR FÜR INTERNEN GEBRAUCH  
FOR INTERNAL USE ONLY

TV

6 / 2010

VISION 2 22-2941 T/C

BESTELL-NR. / ORDER NO.: GBH4046 (HGK)

POS. NR. POS. NO.	ABB. FIG.	MATERIAL-NR. PART NUMBER	ANZ. QTY.	BEZEICHNUNG (D)	DESCRIPTION (GB)
		GBH4046		VISION 2 22-2941 T/C PRODUKTCODE HGK KEIN E-TEIL	VISION 2 22-2941 T/C PRODUCT CODE HGK NO SPARE PART
				<b>Hinweis:</b> Sollte in dieser Ersatzteilliste Ihr "Product Code" oder Ihre Display-Variante nicht aufgeführt sein, finden Sie eine aktualisierte Version auf dem GRUNDIG Service-Portal " <a href="http://service.grundig.de">http://service.grundig.de</a> ".	<b>Note:</b> If your "Product Code" or display variant is not mentioned in the spare parts list, please look for a current version at the GRUNDIG service portal " <a href="http://service.grundig.de">http://service.grundig.de</a> ".
0001.000		759551494600		GEH.-VORDERTEIL SCHWARZ	FRONT CABINET BLACK
0002.000		759551495000		RUECKWAND SCHWARZ	BACK COVER BLACK
0005.000		759551493800		FUSS SCHWARZ	FOOT BLACK
0006.000		759551507600		FUSS ZWISCHENSTUECK SCHWARZ	FOOT MIDDLE PART BLACK
0007.000		759551493600		KNOPF PROG./ON-OFF SCHWARZ	KNOB PROG./ON-OFF BLACK
0015.000		759551494700		LAUTSPRECHER 16 OHM 5/7 W	LOUDSPEAKER 16 OHM 5/7 W
0020.000	△	759551505800		LCD-DISPLAY T216XW01 V100*1	LCD-DISPLAY T216XW01 V100*1
0020.000	△	759551518200		LCD-DISPLAY LTA216AT01-S04*2	LCD-DISPLAY LTA216AT01-S04*2
0020.000	△	759551541700		LCD-DISPLAY LTA216AT01-S05*3	LCD-DISPLAY LTA216AT01-S05*3
0021.000		759551494800		DISPLAY KABEL LVDS 30P 120MM*1	DISPLAY CABLE LVDS 30P 120MM*1
0021.000		759551538600		DISPLAY KABEL LVDS 120MM*2*3	DISPLAY CABLE LVDS 120MM*2*3
0022.000	△	759551350200		NETZKABEL 150 CM	POWER CABLE 150 CM
0023.000	△	275990308500	X	LP-NETZTEILMODUL 21.6 T5/T6/D6*1	POWER BOARD 21.6 T5/T6/D6 *1
0023.000	△	275990310100	X	LP-NETZTEILMODUL 21.6 SS2*2*3	POWER BOARD 21.6 SS2*2*3
0025.000	△	275991109000	X	LP-CHASSISMODUL T5 (HGK)*1	CHASSISBOARD T5 (HGK)*1
0025.000	△	275991102500	X	LP-CHASSISMODUL T5 (HGL)*2	CHASSISBOARD T5 (HGL)*2
0025.000	△	275991108900	X	LP-CHASSISMODUL T5 (B8M)*3	CHASSISBOARD T5 (B8M)*3
0027.000		720117145700		FERNBEDIENUNG RC 23	REMOTE CONTROL RC 23
0030.000		759550451400		TASTSCHALTER	KEY SWITCH
0031.000		275990230000		LP-TT/IR/LED MODUL T6	TT/IR/LED BOARD T6
0032.000		759551504200		IR-EMPPFAENGER TSOP38438	IR RECEIVER TSOP38438
0033.000		759551541500		LED 5MM 3,5 V	LED 5MM 3,5 V
0090.000		759551495200		KARTON	CARTON
0091.000		759551495300		POLSTER OBEN	CUSHION TOP
0092.000		759551495400		POLSTER BODEN	CUSHION BOTTOM
				DIE BEDIENUNGSANLEITUNG KOENNEN SIE IM INTERNET UNTER FOLGENDER ADRESSE ABRUFEN: WWW.GRUNDIG.DE MENU: DOWNLOADS	THE INSTRUCTION MANUAL CAN BE DOWNLOADED FROM THE INTERNET UNDER THE FOLLOWING ADDRESS: WWW.GRUNDIG.DE MENU: DOWNLOADS
		720100546000		SERVICE MANUAL D/GB	SERVICE MANUAL D/GB
		720108000001		SICHERHEITSMANUAL D/GB/E/F/I	SAFETY SERVICE MANUAL D/GB/E/F/I
				X = SIEHE GESONDERTE E-LISTE	X = SEE SEPARATE PARTS LIST

3 - 19

Es gelten die Vorschriften und Sicherheitshinweise gemäß dem Service Manual "Sicherheit", Mat.-Nummer 720108000001, sowie zusätzlich die eventuell abweichenden, landesspezifischen Vorschriften!



The regulations and safety instructions shall be valid as provided by the "Safety" Service Manual, part number 720108000001, as well as the respective national deviations.

ÄNDERUNGEN VORBEHALTEN / SUBJECT TO ALTERATION

Ersatzteilliste  
Spare Parts List

NUR FÜR INTERNEN GEBRAUCH  
FOR INTERNAL USE ONLY

TV

3 / 2010

VISION 2 22- 2941 T/C

BESTELL-NR. / ORDER NO.: GBH4066 (HGL)

POS. NR. POS. NO.	ABB. FIG.	MATERIAL-NR. PART NUMBER	ANZ. QTY.	BEZEICHNUNG (D)	DESCRIPTION (GB)
		GBH4066		VISION 2 22-2941 T/C PRODUKTCODE HGL KEIN E-TEIL	VISION 2 22-2941 T/C WHITE PRODUCT CODE HGL NO SPARE PART
				<b>Hinweis:</b> Sollte in dieser Ersatzteilliste Ihr "Product Code" oder Ihre Display-Variante nicht aufgeführt sein, finden Sie eine aktualisierte Version auf dem GRUNDIG Service-Portal " <a href="http://service.grundig.de">http://service.grundig.de</a> ".	<b>Note:</b> If your "Product Code" or display variant is not mentioned in the spare parts list, please look for a current version at the GRUNDIG service portal " <a href="http://service.grundig.de">http://service.grundig.de</a> ".
0001.000		759551518800		GEH.-VORDERTEIL WEISS	FRONT CABINET WHITE
0002.000		759551518900		RUECKWAND WEISS	BACK COVER WHITE
0005.000		759551526800		FUSS SILBER	FOOT SILVER
0006.000		759551519100		ZWISCHENSTUECK FUSS WEISS	MIDDLE PART STAND FOOT WHITE
0007.000		759551519000		KNOPF PROG./ON-OFF WEISS	KNOB PROG./ON-OFF WHITE
0015.000		759551494700		LAUTSPRECHER 16 OHM 5/7 W	LOUDSPEAKER 16 OHM 5/7 W 33X14
0020.000	△	759551518200		LCD-DISPLAY SS LTA216AT01-S04*1	LCD-DISPLAY SS LTA216AT01-S04*1
0020.000	△	759551541700		LCD-DISPLAY SS LTA216AT01-S05*2	LCD-DISPLAY SS LTA216AT01-S05*2
0021.000		759551520900		KABEL DISPLAY-LVDS 100MM*1	CABLE DISPLAY-LVDS 100MM*1
0021.000		759551538600		KABEL DISPLAY-LVDS 120MM*2	CABLE DISPLAY-LVDS 120MM*2
0022.000	△	759551350200		NETZKABEL 150 CM	POWER CABLE 150 CM
0023.000	△	275990310100	X	LP-NETZTEILMODUL 21.6 SS2 M/SR	POWER BOARD 21.6 SS2 M/SRS/K/U
0025.000	△	275991102500	X	LP-CHASSISMODUL T5 (HGL)*1	CHASSIS BOARD T5 (HGL)*1
0025.000	△	275991108900	X	LP-CHASSISMODUL T5 (B8M)*2	CHASSIS BOARD T5 (B8M)*2
0027.000		720117145700		FERNBEDIENUNG RC 23	REMOTE CONTROL RC 23
0030.000		759550451400		TASTSCHALTER	KEY SWITCH
0031.000		275990230000		LP-TT/IR/LED MODUL T6	TT/IR/LED BOARD T6
0032.000		759551504200		IR-EMPPFAENGER TSOP38438	IR RECEIVER TSOP38438
0033.000		759551541500		LED 5MM 3,5V	LED 5MM 3,5V
0090.000		759551495200		KARTON	CARTON
0091.000		759551495300		POLSTER OBEN	CUSHION TOP
0092.000		759551495400		POLSTER BODEN	CUSHION BOTTOM
				DIE BEDIENUNGSANLEITUNG KOENNEN SIE IM INTERNET UNTER FOLGENDER ADRESSE ABRUFEN: WWW.GRUNDIG.DE MENU: DOWNLOADS	THE INSTRUCTION MANUAL CAN BE DOWNLOADED FROM THE INTERNET UNDER THE FOLLOWING ADDRESS: WWW.GRUNDIG.DE MENU: DOWNLOADS
		720100546000		SERVICE MANUAL D/GB	SERVICE MANUAL D/GB
		720108000001		SICHERHEITSMANUAL D/GB/E/F/I	SAFETY SERVICE MANUAL D/GB/E/F/I
				X = SIEHE GESONDERTE E-LISTE	X = SEE SEPARATE PARTS LIST

Es gelten die Vorschriften und Sicherheitshinweise gemäß dem Service Manual "Sicherheit", Mat.-Nummer 720108000001, sowie zusätzlich die eventuell abweichenden, landesspezifischen Vorschriften!



The regulations and safety instructions shall be valid as provided by the "Safety" Service Manual, part number 720108000001, as well as the respective national deviations.

ÄNDERUNGEN VORBEHALTEN / SUBJECT TO ALTERATION

Ersatzteilliste  
Spare Parts List

NUR FÜR INTERNEN GEBRAUCH  
FOR INTERNAL USE ONLY

TV

10 / 2009

LP-NETZTEILMODUL 18.5 T5/T6  
POWER SUPPLY BOARD 18.5 T5/T6

MATERIAL-NR. / PART NO.: 275990308300

POS. NR. POS. NO.	ABB. FIG.	MATERIAL-NR. PART NUMBER	ANZ. QTY.	BEZEICHNUNG (D)	DESCRIPTION (GB)
	△	275990308300		LP-NETZTEILMODUL 18.5 T5/T6 (PSU+INV)	POWER SUPPLY BOARD 18.5 T5/T6 (PSU+INV)

POS. NR. POS. NO.	MATERIAL-NR. PART NUMBER	BEZEICHNUNG DESCRIPTION	POS. NR. POS. NO.	MATERIAL-NR. PART NUMBER	BEZEICHNUNG DESCRIPTION
C 2011	△ 759551498900	C-PPM 220NF K305VAC R:15CLS	T 2003	759551388500	TRANS-CHIP PMV65XP P-CH
C 2022	△ 759550965300	KONDENS 220PF M 250VAC R:10	T 2006	759551499900	TRANS-SMD FDD4141 40V 50A P
C 2033	△ 759551338300	1 NF M 250VAC Y5U R:10 KOND	T 2009	759551500000	TRANS-SMD FDD8778 25V 35A N
C 2035	△ 759550965300	KONDENS 220PF M 250VAC R:10	TR 2001	△ 759551404300	TRAF0 SMT JEWEL BCK0280904
D 2001	759551499000	DIODE STKY SB560 5A 60V DO2	TR 2002	△ 759551404400	SMT INVERTER 19W HVT-108
D 2002	759551395300	DIODE UF4007F R:12.5			
D 2003	759551499100	DIODE-CHIP ES1D 1A 200V U.F			
D 2004	759551499200	DIODE-CHIP BRIDGE DI156S 1.			
D 2006	759530510400	DIODE BAV 99			
D 2007	759551499300	DIODE STKY SB5100 5A 100V D			
D 2010	759551395300	DIODE UF4007F R:12.5			
D 2013	759530510400	DIODE BAV 99			
D 2026	759551395300	DIODE UF4007F R:12.5			
D 2027	759551499000	DIODE STKY SB560 5A 60V DO2			
D 2055	759530510400	DIODE BAV 99			
F 2001	△ 759551198500	SICHERUNG 2AT/255V VERZOEGERT			
F 2003	△ 759550935300	SICHERUNG T5 A / 250 V			
IC 2001	759551434500	IC-SMD ZTL431AFFTA SOT23F T			
IC 2002	759551397400	IC-CHIP FSCM0465RJX D2PAC-6			
IC 2003	△ 759551499400	IC-CHIP TCLT1003 OPTO COU			
IC 2004	759551434500	IC-SMD ZTL431AFFTA SOT23F T			
IC 2005	759551499500	IC-SMD NCP1575DR2G SO8 T&R			
IC 2006	759551397500	IC-CHIP FAN7314MX SOIC20 T&			
IC 2007	759551411900	TRANS FDS6984AS SO8 MOSFET			
L 2001	759550624400	SPULE 10 UH			
L 2003	759550624400	SPULE 10 UH			
L 2004	759551395900	SPULE 4.7UH 3A RADIAL R:10			
L 2005	△ 759551397700	LINE FILTER 10MH 0.7A PLA10			
L 2006	759551499600	SPULE 15UH 3.4A TDK TSL1112			
Q 2001	759550973400	TRANS 2N7002			
Q 2002	759550973400	TRANS 2N7002			
S 2002	△ 759551499700	NETZANSCHLUSS 2PIN / VERTIC			
S 2005	△ 759551499800	DC ANSCHLUSS 2MM DIK			
T 2001	△ 759551388000	TRANS-CHIP PMV56XN N-CH			
T 2002	830100484800	SMD TRANS BC848B/ BC847B P			

Es gelten die Vorschriften und Sicherheitshinweise gemäß dem Service Manual "Sicherheit", Mat.-Nummer 720108000001, sowie zusätzlich die eventuell abweichenden, landesspezifischen Vorschriften!



The regulations and safety instructions shall be valid as provided by the "Safety" Service Manual, part number 720108000001, as well as the respective national deviations.

ÄNDERUNGEN VORBEHALTEN / SUBJECT TO ALTERATION

Ersatzteilliste  
Spare Parts List

NUR FÜR INTERNEN GEBRAUCH  
FOR INTERNAL USE ONLY

TV

12 / 2009

LP-NETZTEILMOUL 21.6 T5/T6/D6  
POWER BOARD 21.6 T5/T6/D6

MATERIAL-NR. / PART NO.: 275990308500

POS. NR. POS. NO.	ABB. FIG.	MATERIAL-NR. PART NUMBER	ANZ. QTY.	BEZEICHNUNG (D)	DESCRIPTION (GB)
	△	275990308500		LP-NETZTEILMODUL 21.6 T5/T6/D6	POWER BOARD 21.6 T5/T6/D6

POS. NR. POS. NO.	MATERIAL-NR. PART NUMBER	BEZEICHNUNG DESCRIPTION	POS. NR. POS. NO.	MATERIAL-NR. PART NUMBER	BEZEICHNUNG DESCRIPTION
C 2011	△ 759551498900	C-PPM 220NF K305VAC R:15CLS	C 2011	△ 759551498900	C-PPM 220NF K305VAC R:15CLS
C 2022	△ 759550965300	KONDENS 220PF M 250VAC R:10	C 2022	△ 759550965300	KONDENS 220PF M 250VAC R:10
C 2033	△ 759551338300	1 NF M 250VAC Y5U R:10 KOND	C 2033	△ 759551338300	1 NF M 250VAC Y5U R:10 KOND
C 2035	△ 759550965300	KONDENS 220PF M 250VAC R:10	C 2035	△ 759550965300	KONDENS 220PF M 250VAC R:10
D 2001	759551499000	DIODE STKY SB560 5A 60V DO2	D 2001	759551499000	DIODE STKY SB560 5A 60V DO2
D 2002	759551395300	DIODE UF4007F R:12.5	D 2002	759551395300	DIODE UF4007F R:12.5
D 2004	759551499200	DIODE-CHIP BRIDGE DI156S 1.	D 2004	759551499200	DIODE-CHIP BRIDGE DI156S 1.
D 2013	759530510400	DIODE BAV 99	D 2013	759530510400	DIODE BAV 99
D 2015	759530510400	DIODE BAV 99	D 2015	759530510400	DIODE BAV 99
D 2026	759551395300	DIODE UF4007F R:12.5	D 2026	759551395300	DIODE UF4007F R:12.5
D 2027	759551499000	DIODE STKY SB560 5A 60V DO2	D 2027	759551499000	DIODE STKY SB560 5A 60V DO2
D 2031	759551327400	MBRP3010N SCHT.30A 100V TO-	D 2031	759551327400	MBRP3010N SCHT.30A 100V TO-
D 2054	759530510400	DIODE BAV 99	D 2054	759530510400	DIODE BAV 99
D 2055	759530510400	DIODE BAV 99	D 2055	759530510400	DIODE BAV 99
F 2001	△ 759551198500	SICHERUNG 2AT/255V VERZOEGERE	F 2001	△ 759551198500	SICHERUNG 2AT/255V VERZOEGERE
IC 2001	759551434500	IC-SMD ZTL431AFFTA SOT23F T	IC 2001	759551434500	IC-SMD ZTL431AFFTA SOT23F T
IC 2002	759551397400	IC-CHIP FSCM0465RJX D2PAC-6	IC 2002	759551397400	IC-CHIP FSCM0465RJX D2PAC-6
IC 2003	△ 759551499400	IC-CHIP TCLT1003 OPTO COU	IC 2003	△ 759551499400	IC-CHIP TCLT1003 OPTO COU
IC 2004	759551434500	IC-SMD ZTL431AFFTA SOT23F T	IC 2004	759551434500	IC-SMD ZTL431AFFTA SOT23F T
IC 2006	759551397500	IC-CHIP FAN7314MX SOIC20 T&	IC 2006	759551397500	IC-CHIP FAN7314MX SOIC20 T&
L 2001	759550624400	SPULE 10 UH	L 2001	759550624400	SPULE 10 UH
L 2003	759550624400	SPULE 10 UH	L 2003	759550624400	SPULE 10 UH
L 2004	759551395900	SPULE 4.7UH 3A RADIAL R:10	L 2004	759551395900	SPULE 4.7UH 3A RADIAL R:10
L 2005	△ 759551397700	LINE FILTER 10MH 0.7A PLA10	L 2005	△ 759551397700	LINE FILTER 10MH 0.7A PLA10
S 2002	△ 759551499700	NETZANSCHLUSS 2PIN / VERTIC	S 2002	△ 759551499700	NETZANSCHLUSS 2PIN / VERTIC
T 2001	△ 759551388000	TRANS-CHIP PMV56XN N-CH	T 2001	△ 759551388000	TRANS-CHIP PMV56XN N-CH
T 2002	830100484800	SMD TRANS BC848B/ BC847B P	T 2002	830100484800	SMD TRANS BC848B/ BC847B P
T 2006	759551499900	TRANS-SMD FDD4141 40V 50A P	T 2006	759551499900	TRANS-SMD FDD4141 40V 50A P
T 2009	759551500000	TRANS-SMD FDD8778 25V 35A N	T 2009	759551500000	TRANS-SMD FDD8778 25V 35A N
TR 2001	△ 759551404300	TRAF0 SMT JEWEL BCK0280904	TR 2001	△ 759551404300	TRAF0 SMT JEWEL BCK0280904
TR 2003	△ 759551504600	TRAF0 INVERTER TMS93633CT	TR 2003	△ 759551504600	TRAF0 INVERTER TMS93633CT

Es gelten die Vorschriften und Sicherheitshinweise gemäß dem Service Manual "Sicherheit", Mat.-Nummer 720108000001, sowie zusätzlich die eventuell abweichenden, landesspezifischen Vorschriften!



The regulations and safety instructions shall be valid as provided by the "Safety" Service Manual, part number 720108000001, as well as the respective national deviations.

ÄNDERUNGEN VORBEHALTEN / SUBJECT TO ALTERATION

Ersatzteilliste  
Spare Parts List

NUR FÜR INTERNEN GEBRAUCH  
FOR INTERNAL USE ONLY

TV

10 / 2009

LP-NETZTEILMODUL SMPS 18.5 T5/T6  
POWER BOARD SMPS 18.5 T5/T6

MATERIAL-NR. / PART NO.: 275990308600

POS. NR. POS. NO.	ABB. FIG.	MATERIAL-NR. PART NUMBER	ANZ. QTY.	BEZEICHNUNG (D)	DESCRIPTION (GB)
	△	275990308600		LP-NETZTEILMODUL SMPS 18.5 T5/T6	POWER BOARD SMPS 18.5 T5/T6

POS. NR. POS. NO.	MATERIAL-NR. PART NUMBER	BEZEICHNUNG DESCRIPTION	POS. NR. POS. NO.	MATERIAL-NR. PART NUMBER	BEZEICHNUNG DESCRIPTION
C 2022	△ 759550965300	KONDENS 220PF M 250VAC R:10	TR 2001	△ 759551404300	TRAF0 SMT JEWEL BCK0280904
C 2033	△ 759551338300	1 NF M 250VAC Y5U R:10 KOND	TR 2002	△ 759551404400	SMT INVERTER 19W HVT-108
C 2035	△ 759550965300	KONDENS 220PF M 250VAC R:10			
D 2001	759551499000	DIODE STKY SB560 5A 60V DO2			
D 2002	759551395300	DIODE UF4007F R:12.5			
D 2004	759551499200	DIODE-CHIP BRIDGE DI156S 1.			
D 2006	759530510400	DIODE BAV 99			
D 2010	759551395300	DIODE UF4007F R:12.5			
D 2013	759530510400	DIODE BAV 99			
D 2026	759551395300	DIODE UF4007F R:12.5			
D 2027	759551499000	DIODE STKY SB560 5A 60V DO2			
D 2055	759530510400	DIODE BAV 99			
F 2001	△ 759550921800	SICHERUNGSHALTER			
F 2003	△ 759550935300	SICHERUNG T5 A / 250 V			
IC 2001	759551434500	IC-SMD ZTL431AFFTA SOT23F T			
IC 2002	759551397400	IC-CHIP FSCM0465RJX D2PAC-6			
IC 2003	△ 759551499400	IC-CHIP TCTL1003 OPTO COU			
IC 2004	759551434500	IC-SMD ZTL431AFFTA SOT23F T			
IC 2005	759551499500	IC-SMD NCP1575DR2G SO8 T&R			
IC 2006	759551397500	IC-CHIP FAN7314MX SOIC20 T&			
IC 2007	759551411900	TRANS FDS6984AS SO8 MOSFET			
L 2001	759550624400	SPULE 10 UH			
L 2003	759550624400	SPULE 10 UH			
L 2005	△ 759551397700	LINE FILTER 10MH 0.7A PLA10			
Q 2001	759550973400	TRANS 2N7002			
Q 2002	759550973400	TRANS 2N7002			
S 2005	△ 759551499800	DC ANSCHLUSS 2MM DIK			
T 2001	△ 759551388000	TRANS-CHIP PMV56XN N-CH			
T 2002	830100484800	SMD TRANS BC848B/ BC847B P			
T 2003	759551388500	TRANS-CHIP PMV65XP P-CH			
T 2006	759551499900	TRANS-SMD FDD4141 40V 50A P			
T 2009	759551500000	TRANS-SMD FDD8778 25V 35A N			

Ersatzteilliste  
Spare Parts List

NUR FÜR INTERNEN GEBRAUCH  
FOR INTERNAL USE ONLY

TV

12 / 2009

LP-NETZTEILMODUL 21.6 T5/T6  
POWER SUPPLY BOARD 21.6 T5/T6

MATERIAL-NR. / PART NO.: 275990308700

POS. NR. POS. NO.	ABB. FIG.	MATERIAL-NR. PART NUMBER	ANZ. QTY.	BEZEICHNUNG (D)	DESCRIPTION (GB)
	△	275990308700		LP-NETZTEILMODUL 21.6 T5/T6	POWER SUPPLY BOARD 21.6 T5/T6

POS. NR. POS. NO.	MATERIAL-NR. PART NUMBER	BEZEICHNUNG DESCRIPTION	POS. NR. POS. NO.	MATERIAL-NR. PART NUMBER	BEZEICHNUNG DESCRIPTION
C 2011	△ 759551498900	C-PPM 220NF K305VAC R:15CLS-B			
C 2022	△ 759550965300	KONDENS 220PF M 250VAC R:10			
C 2033	△ 759551338300	1 NF M 250VAC Y5U R:10 KONDENS			
C 2035	△ 759550965300	KONDENS 220PF M 250VAC R:10			
D 2001	759551499000	DIODE STKY SB560 5A 60V DO201AD			
D 2002	759551395300	DIODE UF4007F R:12.5			
D 2004	759551499200	DIODE-CHIP BRIDGE DI156S 1.5A 600V			
D 2013	759530510400	DIODE BAV 99			
D 2015	759530510400	DIODE BAV 99			
D 2026	759551395300	DIODE UF4007F R:12.5			
D 2027	759551499000	DIODE STKY SB560 5A 60V DO201AD			
D 2031	759551327400	MBRP3010N SCHT.30A 100V TO-220			
D 2054	759530510400	DIODE BAV 99			
D 2055	759530510400	DIODE BAV 99			
F 2001	△ 759551198500	SICHERUNG 2AT/255V VERZOEGERT			
IC 2001	759551434500	IC-SMD ZTL431AFFTA SOT23F			
IC 2002	759551397400	IC-CHIP FSCM0465RJX D2PAC-6L			
IC 2003	△ 759551499400	IC-CHIP TCTL1003 OPTO COUPLER			
IC 2004	759551434500	IC-SMD ZTL431AFFTA SOT23F			
IC 2006	759551397500	IC-CHIP FAN7314MX SOIC20 T&R			
L 2001	759550624400	SPULE 10 UH			
L 2003	759550624400	SPULE 10 UH			
L 2004	759551395900	SPULE 4.7UH 3A RADIAL R:10.7			
L 2005	△ 759551397700	LINE FILTER 10MH 0.7A PLA10AS			
S 2002	△ 759551499700	NETZANSCHLUSS 2PIN / VERTICAL			
T 2001	△ 759551388000	TRANS-CHIP PMV56XN N-CH			
T 2002	759551098700	TRANS BC848BLT1G			
T 2006	759551499900	TRANS-SMD FDD4141 40V 50A P-CH			
T 2009	759551500000	TRANS-SMD FDD8778 25V 35A N-CH			
TR 2001	△ 759551404300	TRAF0 SMT JEWEL BCK0280904 ULC			
TR 2003	△ 759551504600	TRAF0 INVERTER TMS93633CT			

Es gelten die Vorschriften und Sicherheitshinweise gemäß dem Service Manual "Sicherheit", Mat.-Nummer 720108000001, sowie zusätzlich die eventuell abweichenden, landesspezifischen Vorschriften!



The regulations and safety instructions shall be valid as provided by the "Safety" Service Manual, part number 720108000001, as well as the respective national deviations.

ÄNDERUNGEN VORBEHALTEN / SUBJECT TO ALTERATION

Es gelten die Vorschriften und Sicherheitshinweise gemäß dem Service Manual "Sicherheit", Mat.-Nummer 720108000001, sowie zusätzlich die eventuell abweichenden, landesspezifischen Vorschriften!



The regulations and safety instructions shall be valid as provided by the "Safety" Service Manual, part number 720108000001, as well as the respective national deviations.

ÄNDERUNGEN VORBEHALTEN / SUBJECT TO ALTERATION



Ersatzteilliste  
Spare Parts List

NUR FÜR INTERNEN GEBRAUCH  
FOR INTERNAL USE ONLY

TV

12 / 2009

LP-NETZTEILMODUL 21.6 PSU+INV  
POWER SUPPLY BOARD 21.6 PSU+INV

MATERIAL-NR. / PART NO.: 275990308900

POS. NR. POS. NO.	ABB. FIG.	MATERIAL-NR. PART NUMBER	ANZ. QTY.	BEZEICHNUNG (D)	DESCRIPTION (GB)
	△	275990309300		LP-NETZTEILMODUL 21.6 (PSU+INV)	POWER BOARD 21.6 (PSU+INV)

POS. NR. POS. NO.	MATERIAL-NR. PART NUMBER	BEZEICHNUNG DESCRIPTION	POS. NR. POS. NO.	MATERIAL-NR. PART NUMBER	BEZEICHNUNG DESCRIPTION
C 2011	△ 759551498900	C-PPM 220NF K305VAC R:15CLS			
C 2022	△ 759550965300	KONDENS 220PF M 250VAC R:10			
C 2033	△ 759551338300	1 NF M 250VAC Y5U R:10 KOND			
C 2035	△ 759550965300	KONDENS 220PF M 250VAC R:10			
D 2002	759551395300	DIODE UF4007F R:12.5			
D 2004	759551499200	DIODE-CHIP BRIDGE DI156S 1.			
D 2013	759530510400	DIODE BAV 99			
D 2015	759530510400	DIODE BAV 99			
D 2026	759551395300	DIODE UF4007F R:12.5			
D 2031	759551327400	MBRP3010N SCHT.30A 100V TO-			
D 2054	759530510400	DIODE BAV 99			
D 2055	759530510400	DIODE BAV 99			
F 2001	△ 759551198500	SICHERUNG 2AT/255V VERZOEGE			
IC 2001	759551434500	IC-SMD ZTL431AFFTA SOT23F T			
IC 2002	759551397400	IC-CHIP FSCM0465RJX D2PAC-6			
IC 2003	△ 759551499400	IC-CHIP TCLT1003 OPTO COU			
IC 2004	759551434500	IC-SMD ZTL431AFFTA SOT23F T			
IC 2006	759551397500	IC-CHIP FAN7314MX SOIC20 T&			
L 2001	759550624400	SPULE 10 UH			
L 2003	759550624400	SPULE 10 UH			
L 2004	759551395900	SPULE 4.7UH 3A RADIAL R:10			
L 2005	△ 759551397700	LINE FILTER 10MH 0.7A PLA10			
S 2002	△ 759551499700	NETZANSCHLUSS 2PIN / VERTIC			
T 2001	△ 759551388000	TRANS-CHIP PMV56XN N-CH			
T 2002	830100484800	SMD TRANS BC848B/ BC847B P			
T 2006	759551499900	TRANS-SMD FDD4141 40V 50A P			
T 2009	759551500000	TRANS-SMD FDD8778 25V 35A N			
TR 2001	△ 759551404300	TRAF0 SMT JEWEL BCK0280904			
TR 2003	△ 759551504600	TRAF0 INVERTER TMS93633CT			

Ersatzteilliste  
Spare Parts List

NUR FÜR INTERNEN GEBRAUCH  
FOR INTERNAL USE ONLY

TV

3 / 2010

LP-NETZTEILMODUL 21.6 T5/T6  
POWER BOARD 21.6 T5/T6

MATERIAL-NR. / PART NO.: 275990310000

POS. NR. POS. NO.	ABB. FIG.	MATERIAL-NR. PART NUMBER	ANZ. QTY.	BEZEICHNUNG (D)	DESCRIPTION (GB)
	△	275990310000		LP-NETZTEILMODUL 21.6 T5/T6 CHA	POWER BOARD 21.6 T5/T6 CHA

POS. NR. POS. NO.	MATERIAL-NR. PART NUMBER	BEZEICHNUNG DESCRIPTION	POS. NR. POS. NO.	MATERIAL-NR. PART NUMBER	BEZEICHNUNG DESCRIPTION
C 2011	△ 759551498900	C-PPM 220NF K305VAC R:15CLS			
C 2022	△ 759550965300	KONDENS 220PF M 250VAC R:10			
C 2033	△ 759551338300	1 NF M 250VAC Y5U R:10 KOND			
C 2035	△ 759550965300	KONDENS 220PF M 250VAC R:10			
D 2002	759551395300	DIODE UF4007F R:12.5			
D 2004	759551499200	DIODE-CHIP BRIDGE DI156S 1.			
D 2013	759530510400	DIODE BAV 99			
D 2015	759530510400	DIODE BAV 99			
D 2026	759551395300	DIODE UF4007F R:12.5			
D 2031	759551327400	MBRP3010N SCHT.30A 100V TO-			
D 2054	759530510400	DIODE BAV 99			
D 2055	759530510400	DIODE BAV 99			
F 2001	759551198500	SICHERUNG 2AT/255V VERZOEGE			
IC 2001	759551434500	IC-SMD ZTL431AFFTA SOT23F T			
IC 2002	759551397400	IC-CHIP FSCM0465RJX D2PAC-6			
IC 2003	△ 759551499400	IC-CHIP TCLT1003 OPTO COU			
IC 2004	759551434500	IC-SMD ZTL431AFFTA SOT23F T			
IC 2006	759551397500	IC-CHIP FAN7314MX SOIC20 T&			
L 2001	759550451500	SPULE 10UH R0814			
L 2003	759550624400	SPULE 10 UH			
L 2004	759551395900	SPULE 4.7UH 3A RADIAL R:10			
L 2005	△ 759551397700	LINE FILTER 10MH 0.7A PLA10			
S 2002	△ 759551499700	NETZANSCHLUSS 2PIN / VERTIC			
T 2001	△ 759551283600	TRANS. PMV60EN N-CHAN.30V(D			
T 2002	830100484800	SMD TRANS BC848B/ BC847B P			
T 2006	759551499900	TRANS-SMD FDD4141 40V 50A P			
T 2009	759551500000	TRANS-SMD FDD8778 25V 35A N			
TR 2001	△ 759551404300	TRAF0 SMT JEWEL BCK0280904			
TR 2003	△ 759551504600	TRAF0 INVERTER TMS93633CT			

Es gelten die Vorschriften und Sicherheitshinweise gemäß dem Service Manual "Sicherheit", Mat.-Nummer 720108000001, sowie zusätzlich die eventuell abweichenden, landesspezifischen Vorschriften!



The regulations and safety instructions shall be valid as provided by the "Safety" Service Manual, part number 720108000001, as well as the respective national deviations.

ÄNDERUNGEN VORBEHALTEN / SUBJECT TO ALTERATION

Es gelten die Vorschriften und Sicherheitshinweise gemäß dem Service Manual "Sicherheit", Mat.-Nummer 720108000001, sowie zusätzlich die eventuell abweichenden, landesspezifischen Vorschriften!



The regulations and safety instructions shall be valid as provided by the "Safety" Service Manual, part number 720108000001, as well as the respective national deviations.

ÄNDERUNGEN VORBEHALTEN / SUBJECT TO ALTERATION

Ersatzteilliste  
Spare Parts List

NUR FÜR INTERNEN GEBRAUCH  
FOR INTERNAL USE ONLY

TV

3 / 2010

LP-NETZTEILMODUL 21.6 SS2  
POWER BOARD 21.6 SS2

MATERIAL-NR. / PART NO.: 275990310100

POS. NR. POS. NO.	ABB. FIG.	MATERIAL-NR. PART NUMBER	ANZ. QTY.	BEZEICHNUNG D	DESCRIPTION GB
	△	275990310100		LP-NETZTEILMODUL 21.6 SS2	POWER BOARD 21.6 SS2

POS. NR. POS. NO.	MATERIAL-NR. PART NUMBER	BEZEICHNUNG DESCRIPTION	POS. NR. POS. NO.	MATERIAL-NR. PART NUMBER	BEZEICHNUNG DESCRIPTION
C 2011	△ 759551498900	C-PPM 220NF K305VAC R:15CLS	D 2002	759551395300	DIODE UF4007F R:12.5
C 2022	△ 759550965300	KONDENS 220PF M 250VAC R:10	D 2004	759551499200	DIODE-CHIP BRIDGE DI156S 1.
C 2033	△ 759551338300	1 NF M 250VAC Y5U R:10 KOND	D 2013	759530510400	DIODE BAV 99
C 2035	△ 759550965300	KONDENS 220PF M 250VAC R:10	D 2015	759530510400	DIODE BAV 99
D 2002	759551395300	DIODE UF4007F R:12.5	D 2015	759530510400	DIODE BAV 99
D 2004	759551499200	DIODE-CHIP BRIDGE DI156S 1.	D 2026	759551395300	DIODE UF4007F R:12.5
D 2013	759530510400	DIODE BAV 99	D 2031	759551327400	MBRP3010N SCHT.30A 100V TO-
D 2015	759530510400	DIODE BAV 99	D 2054	759530510400	DIODE BAV 99
D 2026	759551395300	DIODE UF4007F R:12.5	D 2055	759530510400	DIODE BAV 99
D 2031	759551327400	MBRP3010N SCHT.30A 100V TO-	F 2001	△ 759551198500	SICHERUNG 2AT/255V VERZOEGE
D 2054	759530510400	DIODE BAV 99	IC 2001	759551434500	IC-SMD ZTL431AFFTA SOT23F T
D 2055	759530510400	DIODE BAV 99	IC 2002	759551397400	IC-CHIP FSCM0465RUX D2PAC-6
F 2001	△ 759551198500	SICHERUNG 2AT/255V VERZOEGE	IC 2003	△ 759551499400	IC-CHIP TCLT1003 OPTO COU
IC 2001	759551434500	IC-SMD ZTL431AFFTA SOT23F T	IC 2004	759551434500	IC-SMD ZTL431AFFTA SOT23F T
IC 2002	759551397400	IC-CHIP FSCM0465RUX D2PAC-6	IC 2006	759551397500	IC-CHIP FAN7314MX SOIC20 T&
IC 2003	△ 759551499400	IC-CHIP TCLT1003 OPTO COU	L 2001	759550451500	SPULE 10UH R0814
IC 2004	759551434500	IC-SMD ZTL431AFFTA SOT23F T	L 2003	759550624400	SPULE 10 UH
IC 2006	759551397500	IC-CHIP FAN7314MX SOIC20 T&	L 2004	759551395900	SPULE 4.7UH 3A RADIAL R:10
L 2001	759550451500	SPULE 10UH R0814	L 2005	△ 759551397700	LINE FILTER 10MH 0.7A PLA10
L 2003	759550624400	SPULE 10 UH	S 2002	△ 759551499700	NETZANSCHLUSS 2PIN / VERTIC
L 2004	759551395900	SPULE 4.7UH 3A RADIAL R:10	T 2001	△ 759551283600	TRANS. PMV60EN N-CHAN.30V(D
L 2005	△ 759551397700	LINE FILTER 10MH 0.7A PLA10	T 2002	830100484800	SMD TRANS BC848B/ BC847B P
S 2002	△ 759551499700	NETZANSCHLUSS 2PIN / VERTIC	T 2006	759551499900	TRANS-SMD FDD4141 40V 50A P
T 2001	△ 759551283600	TRANS. PMV60EN N-CHAN.30V(D	T 2009	759551500000	TRANS-SMD FDD8778 25V 35A N
T 2002	830100484800	SMD TRANS BC848B/ BC847B P	TR 2001	△ 759551404300	TRAFO SMT JEWEL BCK0280904
T 2006	759551499900	TRANS-SMD FDD4141 40V 50A P	TR 2003	△ 759551504600	TRAFO INVERTER TMS93633CT
T 2009	759551500000	TRANS-SMD FDD8778 25V 35A N			

Ersatzteilliste  
Spare Parts List

NUR FÜR INTERNEN GEBRAUCH  
FOR INTERNAL USE ONLY

TV

3 / 2010

LP-NETZTEILMODUL 16W T5  
POWER BOARD 16W T5

MATERIAL-NR. / PART NO.: 275990310200

POS. NR. POS. NO.	ABB. FIG.	MATERIAL-NR. PART NUMBER	ANZ. QTY.	BEZEICHNUNG D	DESCRIPTION GB
	△	275990310200		LP-NETZTEILMODUL 16W T5 (PSU+INV) 1	POWER BOARD 16W T5 (PSU+INV) 1

POS. NR. POS. NO.	MATERIAL-NR. PART NUMBER	BEZEICHNUNG DESCRIPTION	POS. NR. POS. NO.	MATERIAL-NR. PART NUMBER	BEZEICHNUNG DESCRIPTION
C 2011	△ 759551498900	C-PPM 220NF K305VAC R:15CLS	T 2003	759551388500	TRANS-CHIP PMV65XP P-CH
C 2022	△ 759550965300	KONDENS 220PF M 250VAC R:10	TR 2001	△ 759551404300	TRAFO SMT JEWEL BCK0280904
C 2033	△ 759551338300	1 NF M 250VAC Y5U R:10 KOND	TR 2002	△ 759551404400	SMT INVERTER 19W HVT-108
C 2035	△ 759550965300	KONDENS 220PF M 250VAC R:10			
D 2001	759551499000	DIODE STKY SB560 5A 60V DO2			
D 2002	759551395300	DIODE UF4007F R:12.5			
D 2003	759551499100	DIODE-CHIP ES1D 1A 200V U.F			
D 2004	759551499200	DIODE-CHIP BRIDGE DI156S 1.			
D 2006	759530510400	DIODE BAV 99			
D 2007	759551499300	DIODE STKY SB5100 5A 100V D			
D 2010	759551395300	DIODE UF4007F R:12.5			
D 2013	759530510400	DIODE BAV 99			
D 2015	759530510400	DIODE BAV 99			
D 2026	759551395300	DIODE UF4007F R:12.5			
D 2027	759551499000	DIODE STKY SB560 5A 60V DO2			
F 2003	△ 759550935300	SICHERUNG T5 A / 250 V			
IC 2001	759551434500	IC-SMD ZTL431AFFTA SOT23F T			
IC 2002	759551397400	IC-CHIP FSCM0465RUX D2PAC-6			
IC 2003	△ 759551499400	IC-CHIP TCLT1003 OPTO COU			
IC 2004	759551434500	IC-SMD ZTL431AFFTA SOT23F T			
IC 2005	759551499500	IC-SMD NCP1575DR2G SO8 T&R			
IC 2006	759551397500	IC-CHIP FAN7314MX SOIC20 T&			
IC 2007	759551411900	TRANS FDS6984AS SO8 MOSFET			
IC 2008	759551535600	TRN-CHIP FDS8958B			
L 2001	759550451500	SPULE 10UH R0814			
L 2003	759550624400	SPULE 10 UH			
L 2004	759551378200	SPULE 3.3 UH 5.9A RADIAL			
L 2005	△ 759551397700	LINE FILTER 10MH 0.7A PLA10			
L 2006	759551499600	SPULE 15UH 3.4A TDK TSL1112			
Q 2001	759550973400	TRANS 2N7002			
Q 2002	759550973400	TRANS 2N7002			
S 2002	△ 759551499700	NETZANSCHLUSS 2PIN / VERTIC			
S 2005	△ 759551499800	DC ANSCHLUSS 2MM DIK			
T 2001	759551283600	TRANS. PMV60EN N-CHAN.30V(D			
T 2002	830100484800	SMD TRANS BC848B/ BC847B P			

Es gelten die Vorschriften und Sicherheitshinweise gemäß dem Service Manual "Sicherheit", Mat.-Nummer 720108000001, sowie zusätzlich die eventuell abweichenden, landesspezifischen Vorschriften!



The regulations and safety instructions shall be valid as provided by the "Safety" Service Manual, part number 720108000001, as well as the respective national deviations.

ÄNDERUNGEN VORBEHALTEN / SUBJECT TO ALTERATION

Es gelten die Vorschriften und Sicherheitshinweise gemäß dem Service Manual "Sicherheit", Mat.-Nummer 720108000001, sowie zusätzlich die eventuell abweichenden, landesspezifischen Vorschriften!



The regulations and safety instructions shall be valid as provided by the "Safety" Service Manual, part number 720108000001, as well as the respective national deviations.

ÄNDERUNGEN VORBEHALTEN / SUBJECT TO ALTERATION

Ersatzteilliste  
Spare Parts List

NUR FÜR INTERNEN GEBRAUCH  
FOR INTERNAL USE ONLY

TV

6 / 2010

LP-NETZTEILMODUL 21.6 T5  
POWER BOARD 21.6 T5

MATERIAL-NR. / PART NO.: 275990310500

POS. NR. POS. NO.	ABB. FIG.	MATERIAL-NR. PART NUMBER	ANZ. QTY.	BEZEICHNUNG DESCRIPTION (D) (GB)
	△	275990310500		LP-NETZTEILMODUL 21.6 T5 (PSU+INV) POWER SUPPLY 21.6 T5 (PSU+INV)

POS. NR. POS. NO.	MATERIAL-NR. PART NUMBER	BEZEICHNUNG DESCRIPTION
----------------------	-----------------------------	----------------------------

C 2011	△ 759551498900	C-PPM 220NF K305VAC R:15CLS
C 2022	△ 759550965300	KONDENS 220PF M 250VAC R:10
C 2033	△ 759551338300	1 NF M 250VAC Y5U R:10 KOND
C 2035	△ 759550965300	KONDENS 220PF M 250VAC R:10

D 2001	759551499000	DIODE STKY SB560 5A 60V DO2
D 2002	759551395300	DIODE UF4007F R:12.5
D 2004	759551499200	DIODE-CHIP BRIDGE DI156S 1.
D 2013	759530510400	DIODE BAV 99
D 2015	759530510400	DIODE BAV 99
D 2026	759551395300	DIODE UF4007F R:12.5
D 2027	759551499000	DIODE STKY SB560 5A 60V DO2
D 2031	759551327400	MBRP3010N SCHT.30A 100V TO-
D 2054	759530510400	DIODE BAV 99
D 2055	759530510400	DIODE BAV 99

F 2001	△ 759551198500	SICHERUNG 2AT/255V VERZOEGE
--------	----------------	-----------------------------

IC 2001	759551434500	IC-SMD ZTL431AFFTA SOT23F T
IC 2002	759551397400	IC-CHIP FSCM0465RJX D2PAC-6
IC 2003	△ 759551499400	IC-CHIP TCLT1003 OPTO COU
IC 2004	759551434500	IC-SMD ZTL431AFFTA SOT23F T
IC 2006	759551397500	IC-CHIP FAN7314MX SOIC20 T&

L 2001	759550451500	SPULE 10UH R0814
L 2003	759550624400	SPULE 10 UH
L 2004	759551395900	SPULE 4.7UH 3A RADIAL R:10
L 2005	△ 759551397700	LINE FILTER 10MH 0.7A PLA10

S 2002	△ 759551499700	NETZANSCHLUSS 2PIN / VERTIC
--------	----------------	-----------------------------

T 2001	△ 759551283600	TRANS. PMV60EN N-CHAN.30V(D
T 2002	830100484800	SMD TRANS BC848B/ BC847B P
T 2006	759551499900	TRANS-SMD FDD4141 40V 50A P
T 2009	759551500000	TRANS-SMD FDD8778 25V 35A N

TR 2001	△ 759551404300	TRAF0 SMT JEWEL BCK0280904
TR 2003	△ 759551504600	TRAF0 INVERTER TMS93633CT

Es gelten die Vorschriften und Sicherheitshinweise gemäß dem Service Manual "Sicherheit", Mat.-Nummer 720108000001, sowie zusätzlich die eventuell abweichenden, landesspezifischen Vorschriften!



The regulations and safety instructions shall be valid as provided by the "Safety" Service Manual, part number 720108000001, as well as the respective national deviations.

ÄNDERUNGEN VORBEHALTEN / SUBJECT TO ALTERATION

Ersatzteilliste  
Spare Parts List

NUR FÜR INTERNEN GEBRAUCH  
FOR INTERNAL USE ONLY

TV

7 / 2010

LP-NETZTEILMODUL 21.6 T5 LED  
POWER BOARD 21.6 T5 LED

MATERIAL-NR. / PART NO.: 275990310800

POS. NR. POS. NO.	ABB. FIG.	MATERIAL-NR. PART NUMBER	ANZ. QTY.	BEZEICHNUNG DESCRIPTION (D) (GB)
	△	275990310800		LP-NETZTEILMODUL 21.6 T5 LED POWER BOARD 21.6 T5 LED

POS. NR. POS. NO.	MATERIAL-NR. PART NUMBER	BEZEICHNUNG DESCRIPTION
----------------------	-----------------------------	----------------------------

C 2011	△ 759551498900	C-PPM 220NF K305VAC R:15CLS
C 2022	△ 759550965300	KONDENS 220PF M 250VAC R:10
C 2033	△ 759551338300	1 NF M 250VAC Y5U R:10 KOND
C 2035	△ 759550965300	KONDENS 220PF M 250VAC R:10

D 2001	759551499000	DIODE STKY SB560 5A 60V DO2
D 2002	759551395300	DIODE UF4007F R:12.5
D 2004	△ 759551499200	DIODE-CHIP BRIDGE DI156S 1.
D 2008	759551549400	DIODE-SMD STKY STPS5H100B 5
D 2026	759551395300	DIODE UF4007F R:12.5
D 2027	759551499000	DIODE STKY SB560 5A 60V DO2
D 2031	759551327400	MBRP3010N SCHT.30A 100V TO-
D 2160	759551499100	DIODE-CHIP ES1D 1A 200V U.F
D 2201	759551499100	DIODE-CHIP ES1D 1A 200V U.F

F 2001	△ 759551198500	SICHERUNG 2AT/255V VERZOEGE
--------	----------------	-----------------------------

IC 2001	759551545000	IC-SMD TL431ASDT SOT23
IC 2002	759551397400	IC-CHIP FSCM0465RJX D2PAC-6
IC 2003	△ 759551499400	IC-CHIP TCLT1003 OPTO COU
IC 2004	759551545000	IC-SMD TL431ASDT SOT23
IC 2006	759551549200	IC-SMD MP3900DS

L 2001	759550624400	SPULE 10 UH
L 2004	759551395900	SPULE 4.7UH 3A RADIAL R:10
L 2005	△ 759551397700	LINE FILTER 10MH 0.7A PLA10
L 2010	759551230900	WIDERST. 10 OHM 1/8 W

S 2002	△ 759551499700	NETZANSCHLUSS 2PIN / VERTIC
--------	----------------	-----------------------------

T 2000	759551549300	TRN-SMD FDD8451 40V 28A
T 2001	759551501700	TRANS-SMD DMN3150L-7 30V 3.
T 2061	830100484800	SMD TRANS BC848B/ BC847B P

TR 2001	△ 759551404300	TRAF0 SMT JEWEL BCK0280904
---------	----------------	----------------------------

Es gelten die Vorschriften und Sicherheitshinweise gemäß dem Service Manual "Sicherheit", Mat.-Nummer 720108000001, sowie zusätzlich die eventuell abweichenden, landesspezifischen Vorschriften!



The regulations and safety instructions shall be valid as provided by the "Safety" Service Manual, part number 720108000001, as well as the respective national deviations.

ÄNDERUNGEN VORBEHALTEN / SUBJECT TO ALTERATION

Ersatzteilliste  
Spare Parts List

NUR FÜR INTERNEN GEBRAUCH  
FOR INTERNAL USE ONLY

TV

7 / 2010

LP-NETZTEILMODUL 18.5 T5 LEDTV  
POWER BOARD 18.5 T5 LEDTV

MATERIAL-NR. / PART NO.: 275990310900

POS. NR. POS. NO.	ABB. FIG.	MATERIAL-NR. PART NUMBER	ANZ. QTY.	BEZEICHNUNG (D)	DESCRIPTION (GB)
----------------------	--------------	-----------------------------	--------------	--------------------	---------------------

△ 275990310900 LP-NETZTEILMODUL 18.5 T5 LEDTV POWER BOARD 18.5 T5 LEDTV

POS. NR. POS. NO.	MATERIAL-NR. PART NUMBER	BEZEICHNUNG DESCRIPTION	POS. NR. POS. NO.	MATERIAL-NR. PART NUMBER	BEZEICHNUNG DESCRIPTION
C 2011	△ 759551498900	C-PPM 220NF K305VAC R:15CLS	T 2001	759551501700	TRANS-SMD DMN3150L-7 30V 3.
C 2022	△ 759550965300	KONDENS 220PF M 250VAC R:10	T 2003	759551388500	TRANS-CHIP PMV65XP P-CH
C 2033	△ 759551338300	1 NF M 250VAC Y5U R:10 KOND	TR 2001	△ 759551404300	TRAFO SMT JEWEL BCK0280904
C 2035	759550965300	KONDENS 220PF M 250VAC R:10	ZD 2004	759540390700	Z-DIODE BZX55-C6V2
D 2001	759551499000	DIODE STKY SB560 5A 60V DO2			
D 2002	759551395300	DIODE UF4007F R:12.5			
D 2003	759551499100	DIODE-CHIP ES1D 1A 200V U.F			
D 2004	△ 759551499200	DIODE-CHIP BRIDGE DI156S 1.			
D 2005	759551229300	DIODE SCHOTTKY DO-201AD 60V			
D 2006	759530510400	DIODE BAV 99			
D 2007	759551499300	DIODE STKY SB5100 5A 100V D			
D 2010	759551395300	DIODE UF4007F R:12.5			
D 2026	759551395300	DIODE UF4007F R:12.5			
D 2027	759551499000	DIODE STKY SB560 5A 60V DO2			
F 2001	△ 759551198500	SICHERUNG 2AT/255V VERZOEGE			
F 2003	△ 759550935300	SICHERUNG T5 A / 250 V			
FB 2001	759551549600	FUSE-SMD 3A 32V 1206 FAST A			
IC 2000	759551549500	IC-SMD MP3388EY-LF-Z			
IC 2001	759551545000	IC-SMD TL431ASDT SOT23			
IC 2002	759551397400	IC-CHIP FSCM0465RJX D2PAC-6			
IC 2003	△ 759551499400	IC-CHIP TCLT1003 OPTO COU			
IC 2004	759551545000	IC-SMD TL431ASDT SOT23			
IC 2005	759551499500	IC-SMD NCP1575DR2G SO8 T&R			
IC 2007	759551411900	TRANS FDS6984AS SO8 MOSFET			
L 2001	759550624400	SPULE 10 UH			
L 2004	759551395900	SPULE 4.7UH 3A RADIAL R:10			
L 2005	△ 759551397700	LINE FILTER 10MH 0.7A PLA10			
L 2006	759551499600	SPULE 15UH 3.4A TDK TSL1112			
L 2010	759551230900	WIDERST. 10 OHM 1/8 W			
Q 2001	759550973400	TRANS 2N7002			
Q 2002	759550973400	TRANS 2N7002			
S 2002	△ 759551499700	NETZANSCHLUSS 2PIN / VERTIC			
S 2005	△ 759551499800	DC ANSCHLUSS 2MM DIK			

Es gelten die Vorschriften und Sicherheitshinweise gemäß dem Service Manual "Sicherheit", Mat.-Nummer 720108000001, sowie zusätzlich die eventuell abweichenden, landesspezifischen Vorschriften!



The regulations and safety instructions shall be valid as provided by the "Safety" Service Manual, part number 720108000001, as well as the respective national deviations.

ÄNDERUNGEN VORBEHALTEN / SUBJECT TO ALTERATION

Ersatzteilliste  
Spare Parts List

NUR FÜR INTERNEN GEBRAUCH  
FOR INTERNAL USE ONLY

TV

7 / 2010

LP-NETZTEILMODUL 18.5 T5 LEDTV  
POWER BOARD 18.5 T5 LEDTV

MATERIAL-NR. / PART NO.: 275990311000

POS. NR. POS. NO.	ABB. FIG.	MATERIAL-NR. PART NUMBER	ANZ. QTY.	BEZEICHNUNG (D)	DESCRIPTION (GB)
----------------------	--------------	-----------------------------	--------------	--------------------	---------------------

△ 275990311000 LP-NETZTEILMODUL 18.5 T5 LEDTV POWER BOARD 18.5 T5 LEDTV 12V/

POS. NR. POS. NO.	MATERIAL-NR. PART NUMBER	BEZEICHNUNG DESCRIPTION	POS. NR. POS. NO.	MATERIAL-NR. PART NUMBER	BEZEICHNUNG DESCRIPTION
C 2011	△ 759551498900	C-PPM 220NF K305VAC R:15CLS	S 2005	△ 759551499800	DC ANSCHLUSS 2MM DIK
C 2022	△ 759550965300	KONDENS 220PF M 250VAC R:10	T 2000	759551549300	TRN-SMD FDD8451 40V 28A
C 2033	△ 759551338300	1 NF M 250VAC Y5U R:10 KOND	T 2001	759551501700	TRANS-SMD DMN3150L-7 30V 3.
C 2035	△ 759550965300	KONDENS 220PF M 250VAC R:10	T 2003	759551388500	TRANS-CHIP PMV65XP P-CH
D 2001	759551499000	DIODE STKY SB560 5A 60V DO2	T 2061	830100484800	SMD TRANS BC848B/ BC847B P
D 2002	759551395300	DIODE UF4007F R:12.5	TR 2001	△ 759551404300	TRAFO SMT JEWEL BCK0280904
D 2003	759551499100	DIODE-CHIP ES1D 1A 200V U.F	ZD 2004	759540390700	Z-DIODE BZX55-C6V2
D 2004	△ 759551499200	DIODE-CHIP BRIDGE DI156S 1.			
D 2006	759530510400	DIODE BAV 99			
D 2007	759551499300	DIODE STKY SB5100 5A 100V D			
D 2008	759551549400	DIODE-SMD STKY STPS5H100B 5			
D 2010	759551395300	DIODE UF4007F R:12.5			
D 2026	759551395300	DIODE UF4007F R:12.5			
D 2027	759551499000	DIODE STKY SB560 5A 60V DO2			
D 2160	759551499100	DIODE-CHIP ES1D 1A 200V U.F			
D 2201	759551499100	DIODE-CHIP ES1D 1A 200V U.F			
F 2001	△ 759551198500	SICHERUNG 2AT/255V VERZOEGE	F 2003	△ 759550935300	SICHERUNG T5 A / 250 V
FB 2001	759551549600	FUSE-SMD 3A 32V 1206 FAST A			
IC 2001	759551545000	IC-SMD TL431ASDT SOT23			
IC 2002	759551397400	IC-CHIP FSCM0465RJX D2PAC-6			
IC 2003	△ 759551499400	IC-CHIP TCLT1003 OPTO COU			
IC 2004	759551545000	IC-SMD TL431ASDT SOT23			
IC 2005	759551499500	IC-SMD NCP1575DR2G SO8 T&R			
IC 2006	759551549200	IC-SMD MP3900DS			
IC 2007	759551411900	TRANS FDS6984AS SO8 MOSFET			
L 2001	759550624400	SPULE 10 UH			
L 2004	759551395900	SPULE 4.7UH 3A RADIAL R:10			
L 2005	△ 759551397700	LINE FILTER 10MH 0.7A PLA10			
L 2006	759551499600	SPULE 15UH 3.4A TDK TSL1112			
L 2010	759551230900	WIDERST. 10 OHM 1/8 W			
Q 2001	759550973400	TRANS 2N7002			
Q 2002	759550973400	TRANS 2N7002			
S 2002	△ 759551499700	NETZANSCHLUSS 2PIN / VERTIC			

Es gelten die Vorschriften und Sicherheitshinweise gemäß dem Service Manual "Sicherheit", Mat.-Nummer 720108000001, sowie zusätzlich die eventuell abweichenden, landesspezifischen Vorschriften!



The regulations and safety instructions shall be valid as provided by the "Safety" Service Manual, part number 720108000001, as well as the respective national deviations.

ÄNDERUNGEN VORBEHALTEN / SUBJECT TO ALTERATION

Ersatzteilliste  
Spare Parts List

NUR FÜR INTERNEN GEBRAUCH  
FOR INTERNAL USE ONLY

TV

1 / 2010

LP-INVERTERMODUL  
INVERTOR BOARD

MATERIAL-NR. / PART NO.: 275990309800

POS. NR. POS. NO.	ABB. FIG.	MATERIAL-NR. PART NUMBER	ANZ. QTY.	BEZEICHNUNG D	DESCRIPTION GB
	△	275990309800		LP-INVERTERMODUL	INVERTOR BOARD

POS. NR. POS. NO.	MATERIAL-NR. PART NUMBER	BEZEICHNUNG DESCRIPTION
----------------------	-----------------------------	----------------------------

D 2013	759530510400	DIODE BAV 99
D 2015	759530510400	DIODE BAV 99
IC 900	759551469300	IC-SMD ST1S10PUR DFN8 T&R
IC 2001	759551434500	IC-SMD ZTL431AFFTA SOT23F T
IC 2006	759551397500	IC-CHIP FAN7314MX SOIC20 T&
Q 2000	759551148500	TRANS. FDS6685 SO-8 30V
S 2000	759551220800	STECKER 10P 2MM 89400-1010
S 2001	759551327500	STECKER 12P 2MM 89400-1210
T 2000	759551439800	TRANS-CHIP FDS 8958A DUAL
T 2001	759551283600	TRANS. PMV60EN N-CHAN.30V(D
T 2002	830100484800	SMD TRANS BC848B/ BC847B P
T 2004	759551473700	TRANS-CHIP MMBT3904LT1 G NP
T 2006	759551439800	TRANS-CHIP FDS 8958A DUAL
TR 2002	△ 759551404400	SMT INVERTER 19W HVT-108

POS. NR. POS. NO.	MATERIAL-NR. PART NUMBER	BEZEICHNUNG DESCRIPTION
----------------------	-----------------------------	----------------------------

D 2010	759551395300	DIODE UF4007F R:12.5
D 2013	759530510400	DIODE BAV 99
D 2015	759530510400	DIODE BAV 99
F 2003	△ 759550935300	SICHERUNG T5 A / 250 V
IC 2001	759551434500	IC-SMD ZTL431AFFTA SOT23F T
IC 2006	759551397500	IC-CHIP FAN7314MX SOIC20 T&
L 2001	759550624400	SPULE 10 UH
S 2005	△ 759551499800	DC ANSCHLUSS 2MM DIK
T 2001	△ 759551501700	TRANS-SMD DMN3150L-7 30V 3.
T 2002	830100484800	SMD TRANS BC848B/ BC847B P
T 2006	759551500000	TRANS-SMD FDD8778 25V 35A N
TR 2002	△ 759551404400	SMT INVERTER 19W HVT-108

Ersatzteilliste  
Spare Parts List

NUR FÜR INTERNEN GEBRAUCH  
FOR INTERNAL USE ONLY

TV

12 / 2009

LP-INVERTERMODUL  
INVERTOR BOARD

MATERIAL-NR. / PART NO.: 275991082900

POS. NR. POS. NO.	ABB. FIG.	MATERIAL-NR. PART NUMBER	ANZ. QTY.	BEZEICHNUNG D	DESCRIPTION GB
	△	275991082900		LP-INVERTERMODUL	INVERTOR BOARD

POS. NR. POS. NO.	MATERIAL-NR. PART NUMBER	BEZEICHNUNG DESCRIPTION
----------------------	-----------------------------	----------------------------

D 2010	759551395300	DIODE UF4007F R:12.5
D 2013	759530510400	DIODE BAV 99
D 2015	759530510400	DIODE BAV 99
F 2003	△ 759550935300	SICHERUNG T5 A / 250 V
IC 2001	759551434500	IC-SMD ZTL431AFFTA SOT23F T
IC 2006	759551397500	IC-CHIP FAN7314MX SOIC20 T&
L 2001	759550624400	SPULE 10 UH
S 2005	△ 759551499800	DC ANSCHLUSS 2MM DIK
T 2001	△ 759551501700	TRANS-SMD DMN3150L-7 30V 3.
T 2002	830100484800	SMD TRANS BC848B/ BC847B P
T 2006	759551500000	TRANS-SMD FDD8778 25V 35A N
TR 2002	△ 759551404400	SMT INVERTER 19W HVT-108

POS. NR. POS. NO.	MATERIAL-NR. PART NUMBER	BEZEICHNUNG DESCRIPTION
----------------------	-----------------------------	----------------------------

D 2010	759551395300	DIODE UF4007F R:12.5
D 2013	759530510400	DIODE BAV 99
D 2015	759530510400	DIODE BAV 99
F 2003	△ 759550935300	SICHERUNG T5 A / 250 V
IC 2001	759551434500	IC-SMD ZTL431AFFTA SOT23F T
IC 2006	759551397500	IC-CHIP FAN7314MX SOIC20 T&
L 2001	759550624400	SPULE 10 UH
S 2005	△ 759551499800	DC ANSCHLUSS 2MM DIK
T 2001	△ 759551501700	TRANS-SMD DMN3150L-7 30V 3.
T 2002	830100484800	SMD TRANS BC848B/ BC847B P
T 2006	759551500000	TRANS-SMD FDD8778 25V 35A N
TR 2002	△ 759551404400	SMT INVERTER 19W HVT-108

Es gelten die Vorschriften und Sicherheitshinweise gemäß dem Service Manual "Sicherheit", Mat.-Nummer 720108000001, sowie zusätzlich die eventuell abweichenden, landesspezifischen Vorschriften!



The regulations and safety instructions shall be valid as provided by the "Safety" Service Manual, part number 720108000001, as well as the respective national deviations.

ÄNDERUNGEN VORBEHALTEN / SUBJECT TO ALTERATION

Es gelten die Vorschriften und Sicherheitshinweise gemäß dem Service Manual "Sicherheit", Mat.-Nummer 720108000001, sowie zusätzlich die eventuell abweichenden, landesspezifischen Vorschriften!



The regulations and safety instructions shall be valid as provided by the "Safety" Service Manual, part number 720108000001, as well as the respective national deviations.

ÄNDERUNGEN VORBEHALTEN / SUBJECT TO ALTERATION



