



Celseon® Air Cooled Condensing Unit

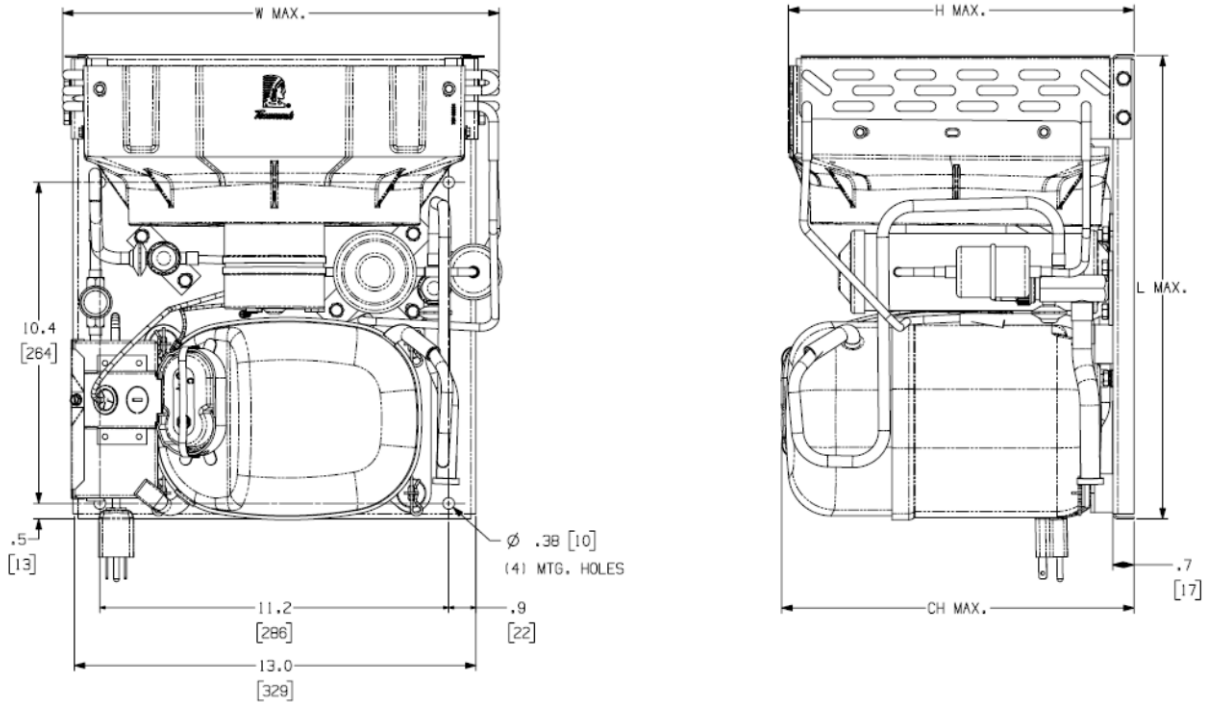
Tecumseh

Model: AJA4456AAAD*

BoM: 2G220-**

R-12

1/2 HP



Model	Dimensions, inches				Line Connection*		Pumpdown	Air	Oil Ch	Gr. Wt.
	L	W	H	CH	Suction	Liquid	90 °F 90%	SCFM	Oz.	Lbs.
AJA4456AAADA	15.0	14.0	11.1	11.2	3/8" S	1/4" S	N/A	185	22	62
AJA4456AAADG					5/8" S	3/8" S	2.8 lbs			64
AJA4456AAADH					5/8" S	3/8" S	N/A			62
AJA4456AAADK					3/8" S	1/4" S	N/A			62
AJA4456AAADC					5/8" S	3/8" S	2.8 lbs			64
AJA4456AAADS					5/8" S	3/8" S	N/A			62
AJA4456AAADJ					5/8" S	3/8" S	2.8 lbs			64
AJA4456AAADP					5/8" S	3/8" S	2.8 lbs			64

* F = Flare, S = Solder, RF or RS = Rotolock with Flare or Solder Connections, C = Compression Fitting
Factory charge: 20 PSIG Nitrogen – **MUST BE EVACUATED**

Evaporator T,		Ambient Temperatures								
		90°F			100°F			110°F		
°F	PSIG	BTUH	Watts	Cond T	BTUH	Watts	Cond T	BTUH	Watts	Cond T
20	21.0	3800	750	121	3500	770	130	3275	795	134
25	24.6	4175	790	125	3860	813	132	3600	845	138
30	28.5	4525	830	128	4200	860	136	3940	900	141
35	32.6	4900	875	130	4580	910	139	---	---	---
40	37.0	5300	920	134	4950	960	142	---	---	---
45	41.7	5675	965	137	---	---	---	---	---	---

60 Hz Performance

Return gas temp. 65°F, 5°F sub cooling

Specifications/ Parts:

Unit Model	AJA4456AAADA
Unit Bill of Material	2G220-09
Refrigeration Range	20° F to 55° F
Design Pressure Low	150
Design Pressure High	235
Nominal Volts-Hz-Ph	115/60/1
Voltage Range	103 to 127
Min. Circuit Ampacity	11.8
Max. Fuse Size (amps)	20
Compressor Model	AJA4461AXA
Comp. Bill of Material	AJ311AT-424-J7
Compressor RLA/LRA	9.1/47
Overload	8300CRAH15
Relay	8200EMBJ98
Run Capacitor	N/A
Start Capacitor	85PS165C98
Fan Motor	810-10001
Fan Motor RLA	.38
Fan Blade	515-10002
Fan Shroud/Guard Combo	707-00004
Condenser	506-10004
Unit Drawing	DGU1971-01
Wiring Diagram	91266-01
Replacement Kit: Relay	K71-02
Replacement Kit: O/L	K90-96
Replacement Kit: St. Cap	K146-27

Unit Model	AJA4456AAADG
Unit Bill of Material	2G220-19
Receiver Tank	510-10000
Liquid Valve	56659
Suction Valve	56660
Unit Model	AJA4456AAADH
Unit Bill of Material	2G220-29
Liquid Valve	56659
Suction Valve	56660
Unit Model	AJA4456AAADK
Unit Bill of Material	2G220-39
Power Cord	85106-14
Unit Model	AJA4456AAADC
Unit Bill of Material	2G220-59
Receiver Tank	510-10000
Liquid Valve	56659
Suction Valve	56660
Power Cord	85106-14
Unit Model	AJA4456AAADS
Unit Bill of Material	2G220-69
Liquid Valve	56659
Suction Valve	56660
Power Cord	85106-14
Unit Model	AJA4456AAADJ
Unit Bill of Material	2G220-79
Receiver Tank	510-10000
Liquid Valve	56659
Suction Valve	56660
Filter Drier	71116
Sight Glass	70084
Unit Model	AJA4456AAADP
Unit Bill of Material	2G220-89
Receiver Tank	510-10000
Liquid Valve	56659
Suction Valve	56660
Power Cord	85106-14
Filter Drier	71116
Sight Glass	70084

Electrical Diagram Page 3

