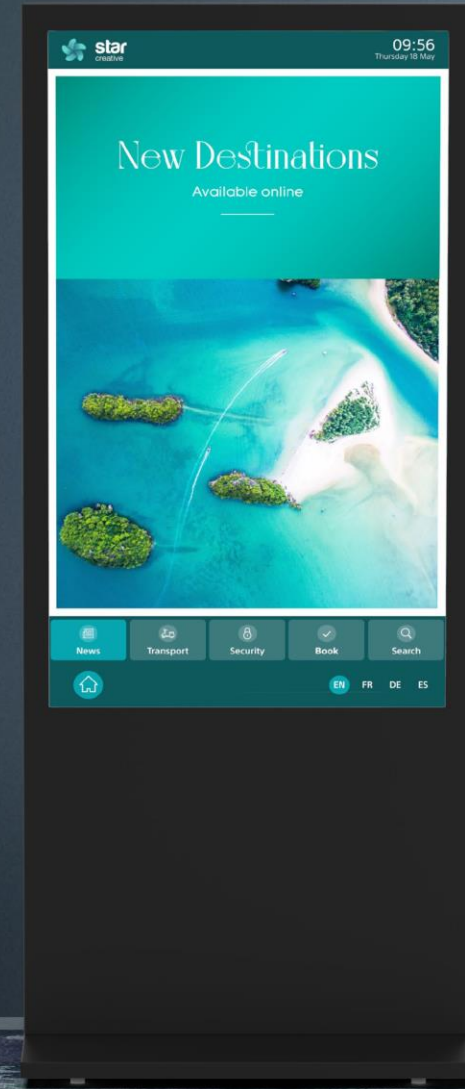


SONY



New styles. Limitless options.

Accessories for BRAVIA Professional Displays

New styles. Limitless options.

Accessories for BRAVIA Professional Displays

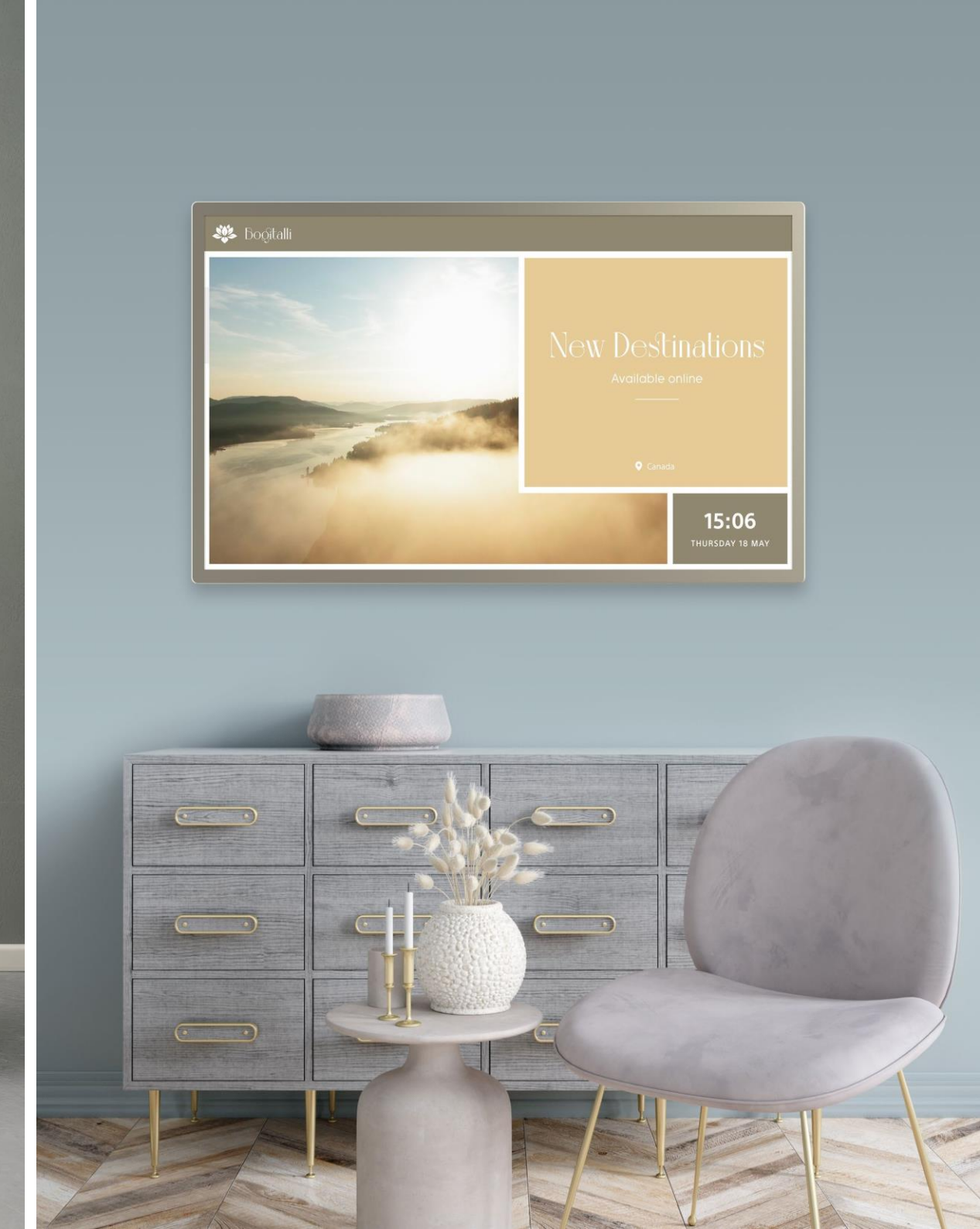
Add extra impact to all your visual communications with accessories for BRAVIA Professional Displays. Our touch screen overlays, covers, totems and kiosks are designed for optimum performance in demanding presentation applications, from retail spaces, hotels, transport hubs and visitor attractions to universities, colleges and corporate environments.

For even more peace of mind

All touch screen overlays for BRAVIA Professional Displays are supplied as standard with a 3-year manufacturer's warranty. As an option this can be extended with PrimeSupport, our enhanced warranty service that provides peace of mind for even longer.

Made your way

We know not every organisation is the same and requirements might differ. That's why we also offer the option to customise accessories with a range of colours, finishes and other options to suit your individual needs. Please ask your Sony Professional Specialist for more information.





Touch screen overlays

Always in touch with your customers

Our easy-to-fit overlays transform BRAVIA Professional Displays into an interactive touch-enabled screen – ideal for strengthening customer engagement, providing clear information to visitors and enabling more effective collaboration in corporate or education workspaces. There's a wide range of overlay options to suit all budgets and operational requirements.



IR Touch Overlays

- Hard-wearing and cost effective
- Supports multi-touch with 2-point or 10-point touch options* or more upon request.
- Stylish design with a black or white frame**
- Rounded corner frames by default, square corner frames available upon request.

Ideal for

- Interactive signage in public areas
- Boardrooms and meeting rooms
- Teaching rooms and training suites

*2-point touch option available only with BRAVIA XG7 Series and WF6 Series. 10-point touch option available with all models.

** Additional colours and finishes available upon request

Capacitive Touch Overlays

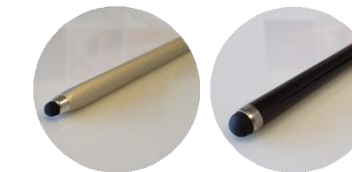
- Premium solution with sleek, attractive design
- Highly sensitive, precise touch response
- Resistant to sunlight – ideal for brightly lit environments
- Compatible with BRAVIA BZ35 series***

Ideal for

- Boardrooms and meeting rooms
- Teaching rooms and training suites

Interactive Stylus Pens

- Interactive pens compatible with all touch overlays
- Ideal for whiteboarding, commenting on documents etc
- Standard and advanced models available
- Manufactured by Adonit





Covers

Distinctive protection

BRAVIA Professional Displays fit beautifully into any space with our stylish, easy to fit covers that provide lasting protection against daily wear and tear, dirt and finger marks. Customisable upon request in a range of bespoke colours, finishes and other cover options to match your brand and environment.

Front Covers

- Metal frame with or without non touch enabled glass overlay.
- Wooden cover without glass.
- Protects against dirt and finger marks
- Available in all RAL colors on demand
- Compatible with: BRAVIA BZ35, ZG9, XG7 and XG8 series; 10" and 22" TEOS Book tablet

Cover with Integrated RS-232 Controller

- Allows full control of the display without the need of a remote control
- Stylish white frame without glass cover
- Side mounted for easy accessibility
- Compatible with BRAVIA BZ35 series***

***Other models are also available upon request





Kiosks

Giving you more in every environment

BRAVIA Professional Displays are a focal point for your customers with our attractive range of kiosks. These solutions are great for receptions, shopping malls and events. You'll be spoiled for choice with our large selection of kiosks for both your displays and your tablets.

Kiosks

- Ideal for interactive helpdesks in retail and public spaces, reception areas, corporate and educational environments
- Available to order with IR or capacitive touch overlays, or no touch as required
- Capacitive Kiosks are also available in slim design
- Compatible with BRAVIA BZ35 series***

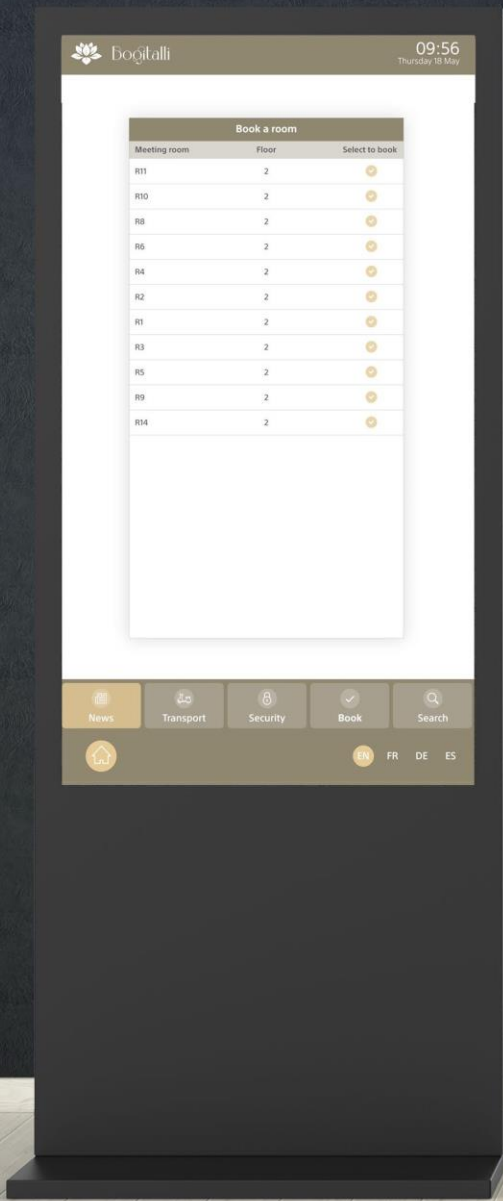
***Other models are also available upon request



Capacitive slim kiosk



Kiosk for tablets



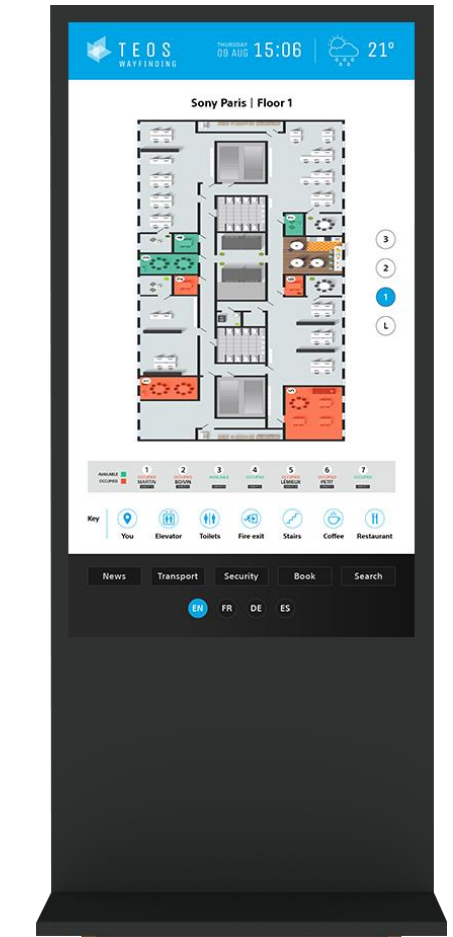
Totems

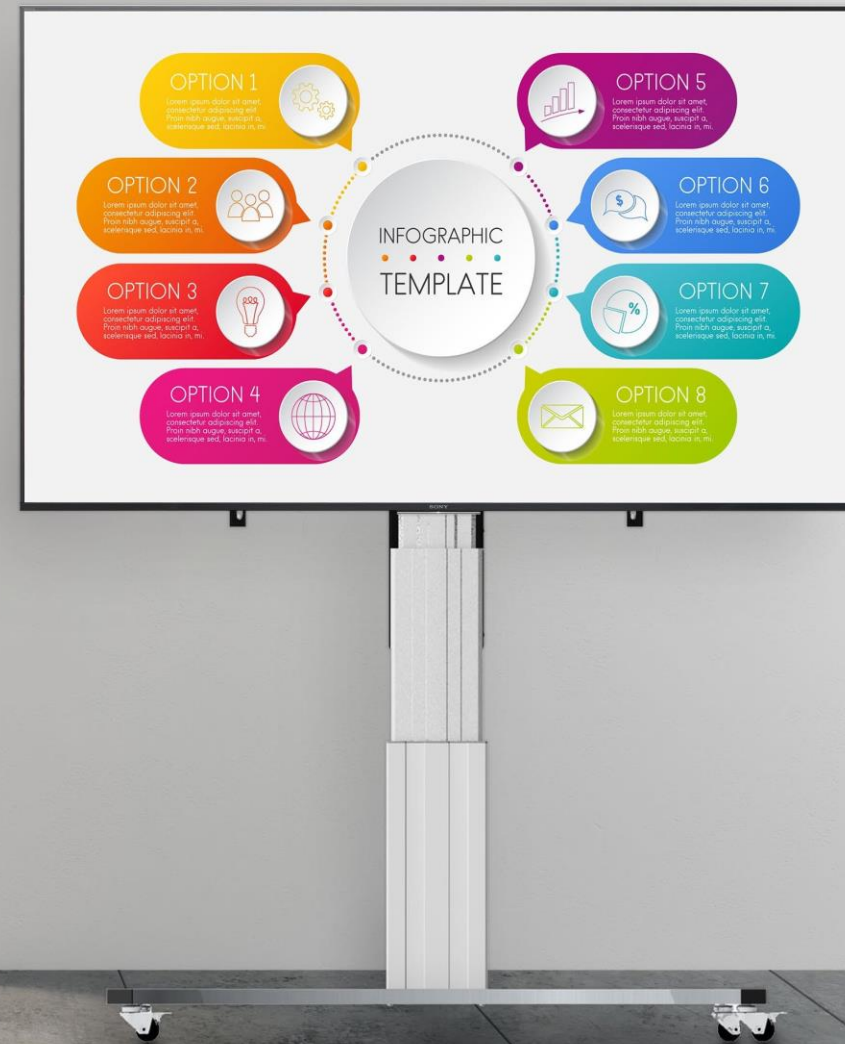
Giving you more in every environment

Inform, give directions or get feedback from visitors easily with our selection of totems. Be twice as efficient with our new double-sided totems, giving you the ability to display information from even more angles. Ideal for self-service restaurants, receptions or signage displays.

Totems

- Ideal for signage displays in retail and public spaces, reception areas, corporate and educational environments
- Available to order with IR or capacitive touch overlays, or no touch as required
- Compatible with BRAVIA BZ35 series and XG8 series
- One sided or double-sided totems available





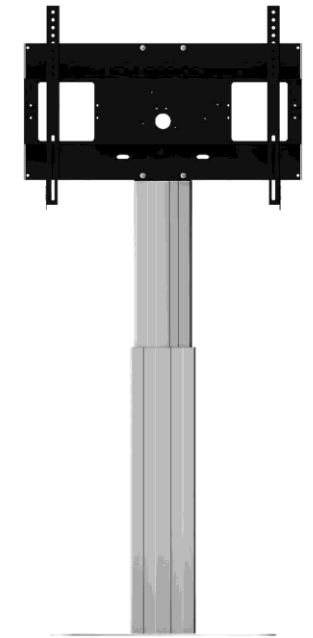
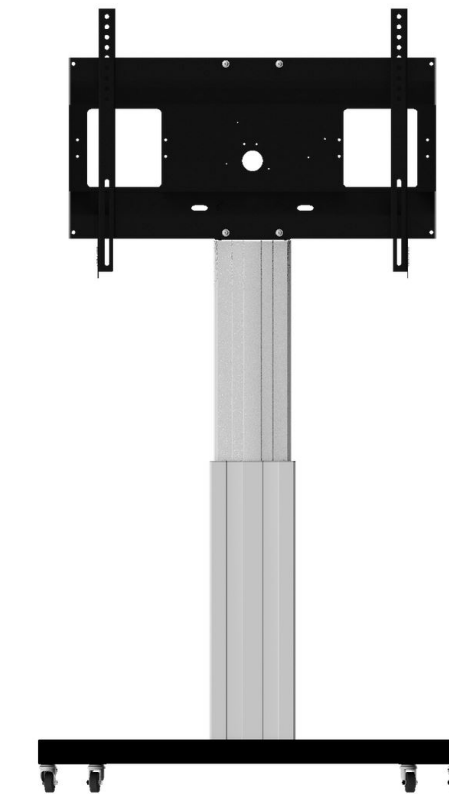
Trolleys & Table stands

Giving you more in every environment

Renowned for their stability and versatility, our selection of trolleys and table stands add a great deal of flexibility so you can easily and safely move your BRAVIA between different locations, and adjust it to suit your audience's needs.

Adjustable Height Trolleys & Table stands

- Ideal for educational and corporate environments where screens need to be adjusted or moved between rooms
- Trolleys are available in 50 cm vertical travel and 70 cm vertical travel with a tilt adjustable stand
- Table stands are available in 50cm vertical travel
- Available in grey aluminum or full black versions
- Suitable for BRAVIA Professional Displays from 43"-98"



Specification

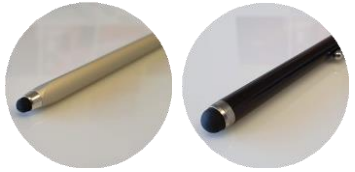
Touch Overlays



Touch Technology	Number of touch points (XX)	Response Time	Max touch point accuracy	Touch Durability	Power input	Power	Operating Temperature	Storage Temperature	Operating humidity	Storage humidity
IR	2 / 10 / 16 / 40	3-10 ms	1 mm	Unlimited	USBHID. No driver required	<2 W	-20°C – 70°C	-40°C – 85°C	10% – 90% RH	10% – 90% RH
Projected Capacitive	10	5-16 ms	3 mm	Unlimited	USBHID. No driver required	<2 W	-20°C – 60°C	-20°C – 60°C	10% – 90% RH	10% – 90% RH

	Diagonal	Compatibility	Bezel size	Glass Thickness	Overlay (W x H x Dmm)	Package (W x H x Dmm)	Overlay Weight (Approx)	Package Weight (Approx)
IR Touch Overlays								
TO-43BZ35F-IRXX	43"	FW-43BZ35F	25 mm	3 mm	997 x 584 x 30	1080 x 600 x 150	7 kg	11 kg
TO-49BZ35F-IRXX	49"	FW-49BZ35F	25 mm	3 mm	1126 x 660 x 30	1260 x 760 x 150	9 kg	13 kg
TO-55BZ35F-IRXX	55"	FW-55BZ35F	25 mm	3 mm	1262 x 736 x 30	1380 x 860 x 150	12 kg	15 kg
TO-65BZ35F-IRXX	65"	FW-65BZ35F	25 mm	4 mm	1489 x 864 x 36	1615 x 990 x 150	18 kg	21 kg
TO-75BZ35F-IRXX	75"	FW-75BZ35F	25 mm	4 mm	1708 x 988 x 30	1870 x 1150 x 150	30 kg	35 kg
TO-85BZ35F-IRXX	85"	FW-85BZ35F	27 mm	4 mm	1968 x 1160 x 30	2090 x 1280 x 150	50 kg	58 kg
Capacitive Touch Overlays								
TO-43BZ35F-CAXX	43"	FW-43BZ35F	25 mm	3 mm	1009 x 597 x 60	1080 x 600 x 150	7.5 kg	11 kg
TO-49BZ35F-CAXX	49"	FW-49BZ35F	25 mm	3 mm	1139 x 669 x 60	1260 x 760 x 150	9.5 kg	13 kg
TO-55BZ35F-CAXX	55"	FW-55BZ35F	25 mm	3 mm	1272 x 747 x 60	1380 x 860 x 150	12.5kg	15 kg
TO-65BZ35F-CAXX	65"	FW-65BZ35F	25 mm	4 mm	1502 x 877 x 60	1615 x 990 x 150	18.5 kg	21 kg
TO-75BZ35F-CAXX	75"	FW-75BZ35F	25 mm	4 mm	1757 x 1035 x 65	1870 x 1150 x 150	30.5 kg	35 kg
TO-85BZ35F-CAXX	85"	FW-85BZ35F	30 mm	4 mm	1987 x 1167 x 63	2090 x 1280 x 150	40 kg	45 kg

Stylus Pens



	Colour	Body material	Head material	Clip	Diameter	Length	Weight
Stylus Pen							
PEN-HE	Anodised aluminium	Aluminium alloy	Mesh	No	9,7 mm	140 mm	22 g
PEN-LE	Black	Aluminium alloy	Rubber	Yes	9 mm	115 mm	10 g

Covers



	Diagonal	Compatibility	Bezel size	Overlay (W x H x Dmm)	Package (W x H x Dmm)	Overlay Weight (Approx)	Package Weight (Approx)
Front covers							
FC-10DSQPL/W	10"	TEB-10DSQPL	15 / 20 mm	257 x 183 x 25	280 x 205 x 50	0.5 kg	2 kg
FC-43BZ35F/W	43"	FW-43BZ35F	25 mm	1002 x 590 x 20	1050 x 640 x 50	1.8 kg	3 kg
FC-49BZ35F/W	49"	FW-49BZ35F	25 mm	1134 x 665 x 20	1185 x 715 x 50	1.9 kg	3 kg
FC-55BZ35F/W	55"	FW-55BZ35F	25 mm	1262 x 732 x 20	1310 x 780 x 50	2 kg	3 kg
FC-65BZ35F/W	65"	FW-65BZ35F	25 mm	1480 x 855 x 20	1530 x 905 x 50	2.5 kg	3.5 kg
FC-75BZ35F/W	75"	FW-75BZ35F	25 mm	1704 x 982 x 21	1750 x 1030 x 50	4 kg	5 kg
FC-85BZ35F/W	85"	FW-85BZ35F	25 mm	1930 x 1111 x 21	1980 x 1160 x 50	4.5 kg	5.5 kg
Control Covers							
CC-43BZ35F/W	43"	FW-43BZ35F	25 mm	1002 x 590 x 30	1050 x 640 x 50	1.8 kg	3 kg
CC-49BZ35F/W	49"	FW-49BZ35F	25 mm	1134 x 665 x 30	1185 x 715 x 50	1.9 kg	3 kg
CC-55BZ35F/W	55"	FW-55BZ35F	25 mm	1262 x 732 x 30	1310 x 780 x 50	2 kg	3 kg
CC-65BZ35F/W	65"	FW-65BZ35F	25 mm	1480 x 855 x 30	1530 x 905 x 50	2.5 kg	3.5 kg
CC-75BZ35F/W	75"	FW-75BZ35F	25 mm	1704 x 982 x 30	1750 x 1030 x 50	4 kg	5 kg
CC-85BZ35F/W	85"	FW-85BZ35F	25 mm	1930 x 1111 x 30	1980 x 1160 x 50	4.5 kg	5.5 kg

Kiosks

Note: Capacitive Slim kiosk specifications available on our website.



TouchTechnology	Number of touch points (XX)	ResponseTime	Maxtouch point accuracy	Touch Durability	Powerinput	Power	Operating Temperature	Storage Temperature	Operatinghumidity	Storage humidity
IR	10	3-10 ms	1 mm	Unlimited	USBHID. No driver required	<2 W	-20°C – 70°C	-40°C – 85°C	10% – 90% RH	10% – 90% RH
Projected Capacitive	10	5-16ms	3mm	Unlimited	USBHID. No driver required	<2 W	-20°C – 60°C	-20°C – 60°C	10% – 90% RH	10% – 90% RH

	Diagonal	Compatability	Bezel sde	Bezel top	Glass Thickness	Overlay (W x H x Dmm)	Package (W x H x Dmm)	OverlayWeight (Approx)	Package Weight (Approx)
Non Touch Kiosks									
KIO-10DSQPL-NT	10"	TEB-10DSQPL	60 mm	60 mm	3 mm	280 x 1065 x 300	280 x 1165 x 300	15 kg	40 kg
KIO-22DSK-NT	22"	TEB-22DSK	60 mm	60 mm	3 mm	400 x 1140 x 450	400 x 1240 x 450	25 kg	45 kg
KIO-32WE6-NT	32"	FWD-32WE615/T	60 mm	60 mm	3 mm	807 x 1125 x 500	807 x 1225 x 500	30 kg	60 kg
KIO-43BZ35F-NT	43"	FW-43BZ35F	60 mm	60 mm	3 mm	1060 x 1160 x 580	1060 x 1260 x 580	35 kg	70 kg
KIO-49BZ35F-NT	49"	FW-49BZ35F	60 mm	60 mm	3 mm	1190 x 1180 x 650	1190 x 1280 x 650	40 kg	75 kg
KIO-55BZ35F-NT	55"	FW-55BZ35F	60 mm	60 mm	3 mm	1323 x 1200 x 650	1323 x 1300 x 650	45 kg	80 kg
KIO-65BZ35F-NT	65"	FW-65BZ35F	60 mm	60 mm	4 mm	1553 x 1230 x 750	1553 x 1330 x 750	50 kg	85 kg
KIO-75BZ35F-NT	75"	FW-75BZ35F	60 mm	60 mm	4 mm	1810 x 1270 x 800	1810 x 1370 x 800	55 kg	90 kg
Capacitive Touch Kiosks									
KIO-32WE6-CA10	32"	FWD-32WE615/T	60 mm	60 mm	3 mm	807 x 1125 x 500	807 x 1225 x 500	35 kg	60 kg
KIO-43BZ35F-CA10	43"	FW-43BZ35F	60 mm	60 mm	3 mm	1060 x 1160 x 580	1060 x 1260 x 580	40 kg	70 kg
KIO-49BZ35F-CAC10	49"	FW-49BZ35F	60 mm	60 mm	3 mm	1190 x 1180 x 650	1190 x 1280 x 650	45 kg	75 kg
KIO-55BZ35F-CA10	55"	FW-55BZ35F	60 mm	60 mm	3 mm	1323 x 1200 x 650	1323 x 1300 x 650	50 kg	80 kg
KIO-65BZ35F-CA10	65"	FW-65BZ35F	60 mm	60 mm	4 mm	1553 x 1230 x 750	1553 x 1330 x 750	55 kg	85 kg
KIO-75BZ35F-CA10	75"	FW-75BZ35F	60 mm	60 mm	4 mm	1810 x 1270 x 800	1810 x 1370 x 800	60 kg	90 kg
IR Touch Kiosks									
KIO-32WE6-IR10	32"	FWD-32WE615/T	60 mm	60 mm	3 mm	807 x 1125 x 500	807 x 1225 x 500	35 kg	60 kg
KIO-43BZ35F-IR10	43"	FW-43BZ35F	60 mm	60 mm	3 mm	1060 x 1160 x 580	1060 x 1260 x 580	40 kg	70 kg
KIO-49BZ35F-IR10	49"	FW-49BZ35F	60 mm	60 mm	3 mm	1190 x 1180 x 650	1190 x 1280 x 650	45 kg	75 kg
KIO-55BZ35F-IR10	55"	FW-55BZ35F	60 mm	60 mm	3 mm	1323 x 1200 x 650	1323 x 1300 x 650	50 kg	80 kg
KIO-65BZ35F-IR10	65"	FW-65BZ35F	60 mm	60 mm	4 mm	1553 x 1230 x 750	1553 x 1330 x 750	55 kg	85 kg
KIO-75BZ35F-IR10	75"	FW-75BZ35F	60 mm	60 mm	4 mm	1810 x 1270 x 800	1810 x 1370 x 800	60 kg	90 kg

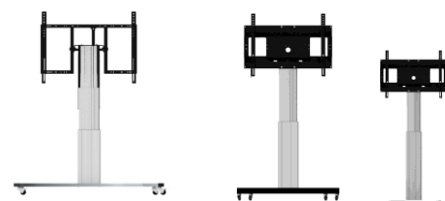
Totems

Note: Double sided totem specifications available on our website



	Diagonal	Compatability	Bezel size	Bezel top	Glass top	Overlay (W x H x Dmm)	Package (W x H x Dmm)	Package Weight (Approx)	Package Weight (Approx)
Non Touch Totems									
TOT-43BZ35F-NT	43"	FW-43BZ35F	67 mm	70 mm	3 mm	700 x 1922x 500	2000 x 700x 700	30 kg	40 kg
TOT-49BZ35F-NT	49"	FW-49BZ35F	67 mm	70 mm	3 mm	770 x 1987x 550	2000 x 700x 750	42 kg	50 kg
TOT-55BZ35F-NT	55"	FW-55BZ35F	69 mm	69 mm	3 mm	845 x 2002x 600	2000 x 700x 850	47 kg	60 kg
TOT-65BZ35F-NT	65"	FW-65BZ35F	69 mm	69 mm	4 mm	975 x 2002x 600	2000 x 700x 950	65 kg	75 kg
TOT-75BZ35F-NT	75"	FW-75BZ35F	70 mm	69 mm	4 mm	1100 x 1985x 600	2000 x 700x 1100	72 kg	80 kg
Capacitive Touch Totems									
TOT-43BZ35F-CAXX	43"	FW-43BZ35F	67 mm	70 mm	3 mm	700 x 1922 x 500	2000 x 700 x 700	30 kg	40 kg
TOT-49BZ35F-CAXX	49"	FW-49BZ35F	67 mm	70 mm	3 mm	770 x 1987 x 550	2000 x 700 x 750	42 kg	50 kg
TOT-55BZ35F-CAXX	55"	FW-55BZ35F	69 mm	69 mm	3 mm	845 x 2002 x 600	2000 x 700 x 850	47 kg	60 kg
TOT-65BZ35F-CAXX	65"	FW-65BZ35F	69 mm	69 mm	4 mm	975 x 2002 x 600	2000 x 700 x 950	65 kg	75 kg
TOT-75BZ35F-CAXX	75"	FW-75BZ35F	70 mm	69 mm	4 mm	1100 x 1985 x 600	2000 x 700 x 1100	72 kg	80 kg
IR Touch Totems									
TOT-43BZ35F-IRXX	43"	FW-43BZ35F	67 mm	70 mm	3 mm	670 x 1850 x 600	2000 x 700 x 700	30 kg	40 kg
TOT-49BZ35F-IRXX	49"	FW-49BZ35F	67 mm	70 mm	3 mm	745 x 1915 x 600	2000 x 700 x 750	42 kg	50 kg
TOT-55BZ35F-IRXX	55"	FW-55BZ35F	69 mm	69 mm	3 mm	825 x 1985 x 600	2000 x 700 x 850	47 kg	60 kg
TOT-65BZ35F-IRXX	65"	FW-65BZ35F	69 mm	69 mm	4 mm	948 x 1985 x 600	2000 x 700 x 950	65 kg	75 kg
TOT-75BZ35F-IRXX	75"	FW-75BZ35F	70 mm	69 mm	4 mm	1075 x 1985 x 600	2000 x 700 x 1100	72 kg	80 kg

Trolleys & Table stands



	Suitable size	Description	VESA Horizontal	Center to floor distance	Load Capacity	Width/Height/Depth
Trolleys & Table stands						
TRO-MH-50	43"-98" BRAVIA displays	Motorized height Trolley with 50 cm of vertical travel	200 mm - 800 mm / 200 mm - 600 mm	1140 mm - 1640 mm	150 kg	1042 mm / 1460 mm - 1960 mm / 731 mm
TRO-MH-50/B	43"-98" BRAVIA displays	Motorized height Trolley with 50 cm of vertical travel, Black	200 mm - 800 mm / 200 mm - 600 mm	1140 mm - 1640 mm	150 kg	1042 mm / 1460 mm - 1960 mm / 731 mm
TRO-MHT-70	43"-75" BRAVIA displays	Motorized height trolley with tilt adjustable monitor stand, 70 cm of vertical travel adjustment	400 mm - 800 mm / 200 mm - 600 mm	676 mm - 1376 mm	150 kg	1340 mm / 996 mm - 1696 mm / 794 mm
TRO-MHT-70/B	43"-75" BRAVIA displays	Motorized height trolley with tilt adjustable monitor stand, 70 cm of vertical travel adjustment, Black	400 mm - 800 mm / 200 mm - 600 mm	676 mm - 1376 mm	150 kg	1340 mm / 996 mm - 1696 mm / 794 mm
TS-MH-50	43"-98" BRAVIA displays	Motorized display stand, 50 cm of vertical travel	200 mm - 800 mm / 200 mm - 600 mm	1207 mm - 1707 mm	150 kg	730 mm / 1527 mm - 2027 mm / 530 mm
TS-MH-50/B	43"-98" BRAVIA displays	Motorized display stand, 50 cm of vertical travel Black	200 mm - 800 mm / 200 mm - 600 mm	1207 mm - 1707 mm	150 kg	730 mm / 1527 mm - 2027 mm / 530 mm

BRAVIA Professional Displays

Our accessories are compatible with all our BRAVIA Professional Displays, so you get both the technological performance and style you'd expect from BRAVIA.



Installation friendly and easy to manage, our latest range of ultra-slim and efficient Professional Displays are ideal for presenting your best image in a wide range of environments, from retail spaces to meeting rooms, classrooms, communal areas and hospitality spaces with our latest range of TV Tuner Models.

Easily manage all your networked BRAVIA Professional Displays

TEOS Solutions empower organisations in every industry making working environments smarter, and more efficient. To find out more about how to take full control of your devices with our TEOS Solutions, contact your nearest Sony accredited dealer or visit pro.sony/TEOS.

pro.sony




SONY

©2020 Sony Corporation.

All rights reserved. Reproduction in whole or in part without permission is prohibited. Features and specifications are subject to change without notice. All non-metric weights and measurements are approximate. 'Sony' is a registered trademark of Sony Corporation. All other trademarks are the property of their respective owners. Errors and omissions excepted.

www.pro.sony  @SonyDisplays

Follow us on 

Distributed by

