

***Ready for
the future!***

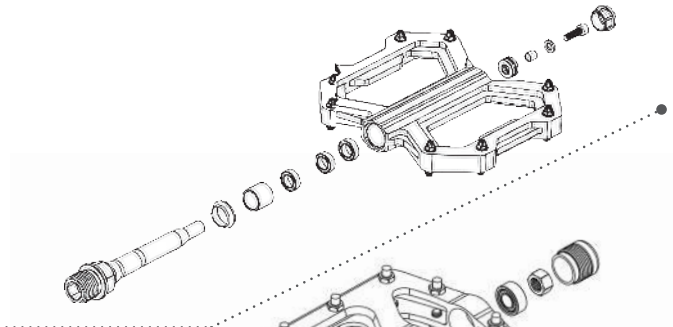
A photograph of an industrial robotic arm, specifically an ABB model, positioned in a factory environment. The arm is white and mounted on a base. It is surrounded by various industrial machinery, including a large green machine and a yellow panel. The background is slightly blurred, emphasizing the robotic arm. A colorful, multi-colored border (red, orange, yellow, green, blue) runs along the left and bottom edges of the image.

MARWI[®]

2019 Catalogue

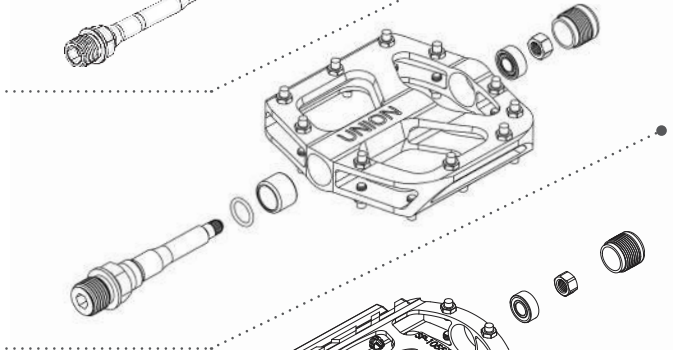
TCS

- **Thrust + Cartridge System**
heat-treated Cr-Mo axle
(made in Taiwan)



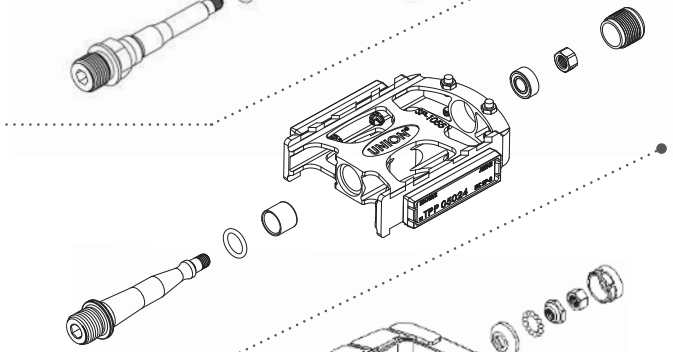
NCS

- **Needle + Cartridge System**
heat-treated Cr-Mo axle
(made in Taiwan)



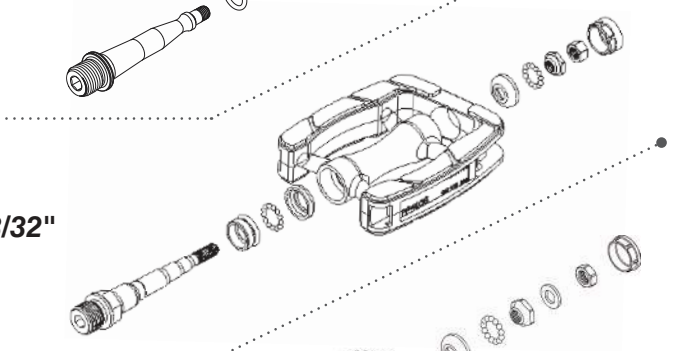
CBS

- **Cartridge + Bushing System**
heat-treated Cr-Mo axle
(made in Taiwan)



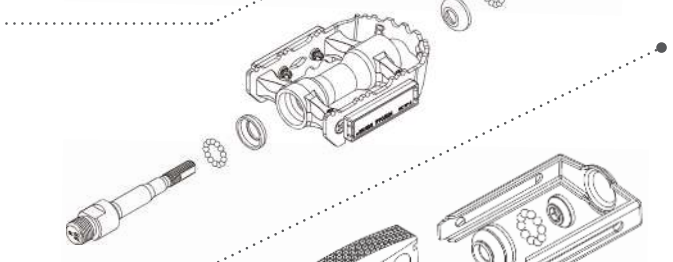
LBA

- **Adjustable light weight ball bearings 3/32"**
heat-treated boron steel axle



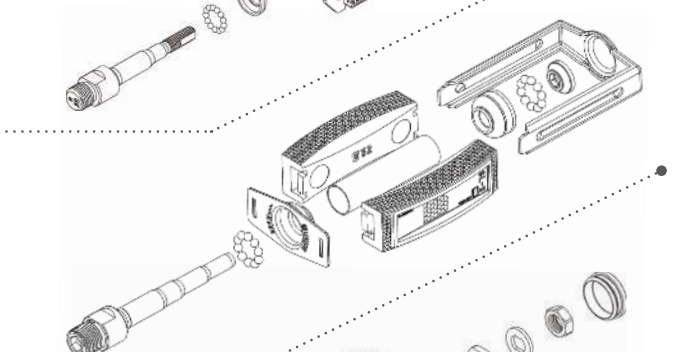
BA

- **Adjustable ball bearings 1/8"**
heat-treated boron steel axle



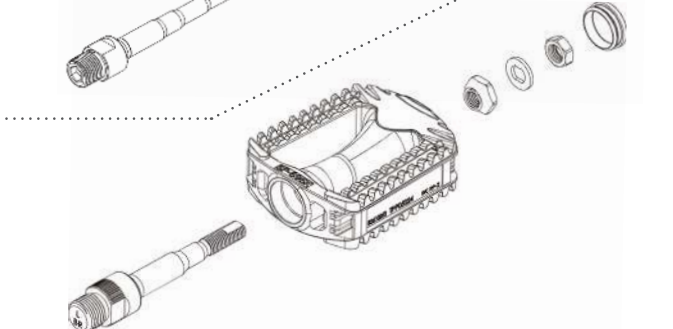
BC

- **Ball bearings, classic type**
heat-treated boron steel axle



NB

- **Adjustable Non-Ball bearing type**
heat-treated boron steel axle



CONTENT

- 10 - 24** UNION Pedals
- 25 - 27** Selle San Remo Saddles
- 28 - 31** SSR Pro Saddles
- 32 - 33** UNION Steel & Aluminium Hubs
- 34 - 36** UNION Dynamo Lights & Dynamos
- 37 - 38** UNION Battery Lights
- 39** UNION Li-Ion Battery Lights
- 40 - 43** UNION Cycle Computers
- 44 - 47** BikeTool Bicycle Tools
- 48 - 49** UNION Bicycle Chains
- 50 - 55** UNION Gear Hangers
- 56 - 59** UNION Disc Brake Pads
- 60 - 61** UNION Brake Shoes
- 62 - 63** UNION Cable & Wire
- 64 - 71** UNION MTB / Trekking Parts

 **UNION**[®]  **xerama**  **BIKETOOL**

 **SSR Pro** *Selle San Remo*

AXLE

- BR** Boron steel
- CM** CrMo steel
- T** Titanium

REFLECTOR

- BS** Approved
- TW** Non-Approved
- SI** Screw-in
- SO** Snap-on
- OB** Snap-on & build-in

BEARING

- TCS** Thrust+Cartridge System
- NCS** Needle+Cartridge System
- CCS** Cartridge + Cartridge System
- CBS** Cartridge+Bushing System
- LBA** Lightweight Ball type, adjustable
- BA** Ball type, adjustable
- BC** Ball type, classic
- NB** Non-Ball type, adjustable
- BL** Ball less

BODY

- SA** Sand blasting+Anodized color
- SD** Sand blasting+ED black
- ED** ED black
- LP** Liquid painting color
- CNC** Body corner with CNC processed

CAGE

- AL** Aluminium
- ST** Steel
- NL** Nylon
- AN** Anodized
- BA** Black anodized
- BC** Black coated
- PC** Powder-coated
- CNC** CNC processed

SP-1210 BLACK

CM **TCS** **SA**



Body: AL-6061 Extrusion T6
Size: 104 × 100mm
Weight: 304 gram/pair

SP-1300 SILVER

CM **TCS** **SA**



Body: AL-6061 Extrusion T6
Size: 110 × 100mm
Weight: 416 gram/pair

SP-1400

CM **CBS** **SA**



Body: AL-6061 Extrusion T6
Size: 110 × 100 mm
Weight: 414 gram/pair



SP-1410

CM **CBS** **SA**



Body: AL-6061 Extrusion T6
Size: 110 × 100 mm
Weight: 412 gram/pair

SP-1080

CM **CBS** **SA**



Body: AL-6061 Extrusion T6
Size: 101 × 100mm
Weight: 336 gram/pair

SP-1082

CM **CBS** **SA**



Body: AL-6061 Extrusion T6
Size: 111 × 100mm
Weight: 334 gram/pair

SP-1090

CM CBS SA



Body:	AL-6061 Extrusion T6
Size:	97 × 100mm
Weight:	300 gram/pair

SP-1091

CM CBS SD



Body:	One piece aluminium
Size:	97 × 100mm
Weight:	347 gram/pair

SP-2150

CM CBS SD BS SO

NEW



Body:	One piece aluminium
Size:	99 × 72 mm
Weight:	314 gram/pair

SP-2160

CM CBS SD BS SO



Body:	One piece aluminium
Size:	101 × 87mm
Weight:	339 gram/pair

SP-308

BR CCS SD BS SO

NEW



Body:	One piece aluminium
Size:	114 × 109 mm
Weight:	635 gram/pair

SP-2309

CM NCS SD BS SO

NEW



Body:	One piece aluminium
Size:	111 × 100 mm
Weight:	592 gram/pair

SP-1055

CM CBS SA BS SO



Body:	AL-6061 Extrusion T6
Size:	100 × 73mm
Weight:	250 gram/pair

SP-2712

CM CBS SA BS SO



Body:	AL-6061 Extrusion T6
Size:	90 × 59mm
Weight:	204 gram/pair

SP-2714

CM CBS BS SO



Body:	AL-6061 Extrusion T6
Size:	95 × 73mm
Weight:	234 gram/pair

SP-160

BR LBA SD BS SO



NEW

Body:	One piece aluminium
Size:	107 × 87mm
Weight:	348 gram/pair

SP-2600

CM CBS SD CNC BS SO



Body:	One piece aluminium & CNC side
Size:	102 × 78mm
Weight:	290 gram/pair

SP-2661

CM CBS BS SI or SO

AL BA



Body:	Aluminium with cage
Size:	102 × 76mm
Weight:	250 gram/pair

SP-2671

CM CBS BS SI or SO

AL BA



Body:	Aluminium with cage
Size:	88 × 76mm
Weight:	252 gram/pair

SP-2612

BR LBA BS SI or SO

AL BA



Body:	Aluminium with cage
Size:	107 × 81mm
Weight:	283 gram/pair

SP-2662

BR LBA BS SI or SO

AL BA



Body:	Aluminium with cage
Size:	102 × 76mm
Weight:	272 gram/pair

SP-2672

BR LBA BS SI or SO

AL BA



Body:	Aluminium with cage
Size:	88 × 76mm
Weight:	245 gram/pair

SP-1092

BR LBA SD



Body:	One piece aluminium
Size:	97 × 100mm
Weight:	350 gram/pair

SP-600

BR LBA SD CNC BS SO



Body:	One piece aluminium & CNC side
Size:	102 × 78mm
Weight:	274 gram/pair

SP-610

BR BA SD CNC BS or TW SO



Body:	One piece aluminium & CNC
Size:	105 × 81mm
Weight:	374 gram/pair

SP-610 BLACK

BR BA SD BS or TW SO



Body:	One piece aluminium
Size:	105 × 81mm
Weight:	374 gram/pair

SP-510 SILVER

BR BA BS or TW SO



Body:	One piece aluminium
Size:	105 × 79mm
Weight:	368 gram/pair

SP-120

BR BA BS or TW SO



Body:	One piece aluminium (different color options)
Size:	110 × 100mm
Weight:	470 gram/pair

SP-102

BR BA BS SO



Body:	One piece aluminium (different color options)
Size:	108 × 102mm
Weight:	434 gram/pair

SP-108

BR BA BS or TW SO



Body:	One piece aluminium
Size:	111 × 115mm
Weight:	518 gram/pair

SP-309

BR BA SD



NEW

Body:	One piece aluminium
Size:	113 × 100 mm
Weight:	570 gram/pair

SP-311

BR BA BS SI or SO

ST PC or AL AN



Body:	Aluminium with cage
Size:	102 × 63mm
Weight:	360 gram/pair

SP-910

BR BA BS SI or SO

ST PC or AL AN



Body:	Aluminium with cage
Size:	102 × 63mm
Weight:	370 gram/pair

SP-931

BR BA BS SI or SO
ST PC or AL AN



Body: PP
Size: 102 × 79mm
Weight: 316 gram/pair

SP-931T

BR BA BS SI or SO
ST PC or AL AN



Body: PP
Size: 102 × 79mm
Weight: 316 gram/pair

SP-932

BR BA BS SI or SO
ST PC or AL AN



Body: PP
Size: 102 × 68mm
Weight: 316 gram/pair

SP-933N

BR BA BS SI or SO
ST PC or AL AN



Body: PP
Size: 102 × 68mm
Weight: 320 gram/pair

SP-940

BR BA BS
ST PC or AL AN



Body: PP
Size: 105 × 64mm
Weight: 320 gram/pair

SP-941

BR BA BS OB
ST PC or AL AN



Body: PP
Size: 102 × 64mm
Weight: 320 gram/pair

SP-942

BR BA BS
ST PC or AL AN



Body: PP
Size: 102 × 64mm
Weight: 320 gram/pair
Option: SP-943 (toe-clip attachable)

SP-941 3 IN 1



• Pedal with MT-11 Toe-clip & Nylon strap assembled

SP-828

BR LBA BS



Body:	Aluminium with PP and non-slip inlay
Size:	111 x 90mm
Weight:	516 gram/pair

SP-825 BLACK

BR LBA ED BS



Body:	Aluminium with PP and non-slip inlay
Size:	111 x 80mm
Weight:	388 gram/pair

SP-823

BR LBA BS



Body:	Aluminium with PP and non-slip inlay
Size:	103 x 78 x 26mm
Weight:	291 gram/pair

SP-2828 BLACK

CM CBS ED BS



Body:	Aluminium with PP and non-slip inlay
Size:	111 x 90mm
Weight:	504 gram/pair

SP-2825

CM CBS BS



Body:	Aluminium with PP and non-slip inlay
Size:	111 x 80mm
Weight:	375 gram/pair

SP-2823 BLACK

CM CBS ED BS



Body:	Aluminium with PP and non-slip inlay
Size:	104 x 78 x 26mm
Weight:	280 gram/pair

SP-2811

CM CBS BS



Body:	Aluminium with non-slip inlay
Size:	108 x 69mm
Weight:	376 gram/pair

SP-811

BR BA BS or TW



Body:	Aluminium with non-slip inlay
Size:	108 x 69mm
Weight:	398 gram/pair

SP-810

BR BA BS or TW



Body:	Aluminium with non-slip inlay
Size:	103 x 69mm
Weight:	541 gram/pair

SP-827

BR LBA BS or TW



Body:	PP with non-slip inlay
Size:	111 x 90mm
Weight:	364 gram/pair

SP-822

BR LBA BS or TW



Body:	PP with non-slip inlay
Size:	103 x 78 x 26mm
Weight:	254 gram/pair

SP-813

BR BA BS or TW



Body:	PP with non-slip inlay
Size:	110 x 69mm
Weight:	290 gram/pair

SP-807

BR BA BS or TW



Body:	PP (black or grey) with non-slip inlay (grey or black)
Size:	108 x 74mm
Weight:	366 gram/pair

SP-808

BR BA BS or TW



Body:	PP (black or grey) with non-slip inlay (grey or black)
Size:	108 x 78mm
Weight:	368 gram/pair

SP-809

BR BA BS or TW



Body:	PP (black) with non-slip inlay (grey)
Size:	108 x 78mm
Weight:	370 gram/pair

SP-888

BR BA BS or TW



Body:	Aluminium with PP and non-slip inlay
Size:	104 x 68mm
Weight:	425 gram/pair

SP-868

BR BA BS or TW



Body:	Aluminium with PVC
Size:	108 x 69mm
Weight:	500 gram/pair

SP-727

BR LBA BS or TW



Body:	PP two tone
Size:	111 x 90mm
Weight:	349 gram/pair

SP-872N

BR BA or NB or BL
BS or TW



Body: PP
Size: 109 × 91mm
Weight: 286 gram/pair

SP-875

BR BA or NB
BS or TW



Body: PP
Size: 108 × 84mm
Weight: 292 gram/pair

SP-877

BR BA or NB or BL
BS or TW



Body: PP
Size: 110 × 79mm
Weight: 318 gram/pair

SP-878

BR BA or NB or BL
BS or TW



Body: PP
Size: 109 × 91mm
Weight: 298 gram/pair

SP-698

BR BA or BL BS or TW



Body: PP
Size: 114 × 83mm
Weight: 279 gram/pair

SP-202

BR BA BS or TW



Body: PP
Size: 104 × 90mm
Weight: 324 gram/pair

SP-300

BR BA or BL BS or TW



Body: PP
Size: 108 × 69mm
Weight: 322 gram/pair

SP-301

BR BA BS or TW



Body: PP
Size: 113 × 74mm
Weight: 324 gram/pair

SP-305

BR BA BS or TW



Body: PP
Size: 108 × 69mm
Weight: 284 gram/pair

SP-460

BR BA BS or TW



Body:	PP
Size:	110 x 100mm
Weight:	305 gram/pair

SP-450

BR BA BS or TW



Body:	PP
Size:	110 x 100mm
Weight:	330 gram/pair

SP-420

CM LBA BS



Body:	Nylon + 20% Glass Fiber
Size:	110 x 100mm
Weight:	338 gram/pair

SP-410

BR BA or NB
BS or TW



Body:	PP
Size:	112 x 100mm
Weight:	352 gram/pair

SP-400

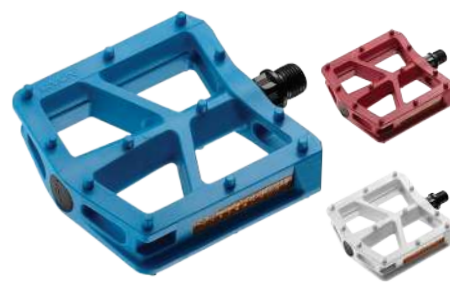
BR BA BS or TW



Body:	PP
Size:	110 x 100mm
Weight:	336 gram/pair

SP-420 COLOR

CM LBA BS



Body:	Nylon + 20% Glass Fiber (different color options)
Size:	110 x 100mm
Weight:	338 gram/pair

SP-700

BR BA or BL
BS or TW



Body:	PP
Size:	111 x 86mm
Weight:	325 gram/pair

SP-767

BR BA or BL
BS or TW



Body:	PP
Size:	113 x 87mm
Weight:	337 gram/pair

SP-320

BR BA
BS or TW



Body:	PP
Size:	125 x 78mm
Weight:	386 gram/pair

SP-835

BR BA BS or TW



Body:	PP with non-slip inlay (grey) with additional side reflector
Size:	97 x 72mm
Weight:	334 gram/pair

SP-834

BR BA BS or TW



Body:	PP with non-slip inlay (grey)
Size:	97 x 72mm
Weight:	332 gram/pair

SP-833

BR BA BS or TW



Body:	PP with non-slip inlay (grey) with additional side reflector
Size:	97 x 72mm
Weight:	320 gram/pair

SP-831

BR BA BS or TW



Body:	PP with non-slip inlay (grey)
Size:	97 x 72mm
Weight:	320 gram/pair

SP-201

BR BA BS or TW



Body:	PP
Size:	87 x 70mm
Weight:	267 gram/pair

SP-481

BR BA or NB or BL
BS or TW



Body:	PP
Size:	98 x 64mm
Weight:	278 gram/pair

SP-690

BR BA or NB or BL
BS or TW



Body:	PP
Size:	95 x 64mm
Weight:	271 gram/pair

SP-695K

BR BA or NB or BL
BS or TW



Body:	PP (optional w/o reflector)
Size:	91 x 65mm
Weight:	270 gram/pair

SP-698K

BR BA or BL
BS or TW



Body:	PP
Size:	98 x 68mm
Weight:	248 gram/pair

SP-687H

BR BC BS or TW



Body: steel (galvanized) & PVC mixture
Size: 117 × 76mm
Weight: 572 gram/pair

SP-685H

BR BC BS or TW



Body: steel (galvanized) & PVC mixture
Size: 118 × 79mm
Weight: 562 gram/pair

SP-689

BR BC BS



Body: steel (galvanized) & PVC mixture
Size: 118 × 63mm
Weight: 540 gram/pair

SP-687H WHITE

BR BC BS or TW



Body: steel (galvanized) & PVC mixture
Size: 117 × 76mm
Weight: 572 gram/pair

SP-685H WHITE

BR BC BS or TW



Body: steel (galvanized) & PVC mixture
Size: 118 × 79mm
Weight: 562 gram/pair

SP-689 WHITE

BR BC BS



Body: steel (galvanized) & PVC mixture
Size: 118 × 63mm
Weight: 540 gram/pair

261

BR BC



Body: steel (galvanized) & PVC mixture
Size: 122 × 58mm
Weight: 625 gram/pair

265H

BR BC



Body: steel (galvanized) & PVC mixture
Size: 118 × 72mm
Weight: 560 gram/pair

SP-689 BROWN

BR BC BS



Body: steel (galvanized) & PVC mixture
Size: 118 × 63mm
Weight: 540 gram/pair

SP-151

BR BA BS
NL



Function: foldable to both sides
Body: Aluminium body/Nylon cage
Size: 110 × 70mm
Weight: 425 gram/pair

SP-153

BR BA BS
NL



Function: foldable to both sides
Body: Aluminium body/Nylon cage with non-slip inlay
Size: 110 × 70mm
Weight: 470 gram/pair



SP-5600

CM or T CBS



Clipless low profile "mud free" MTB pedal	
Body:	Aluminium, black coated
Size:	81 × 65mm
Weight:	298 (CrMo) gram/pair 254 (Titanium) gram/pair
Cleat:	UM-1 inclusive, Shimano 51 compatible

SP-5600 RED

CM or T CBS



Clipless low profile "mud" MTB pedal	
Body:	Aluminium, red coated option: white coated
Size:	81 × 65mm
Weight:	298 (CrMo) gram/pair 254 (Titanium) gram/pair
Cleat:	UM-1 inclusive, Shimano 51 compatible

SP-5650

CM LBA



Clipless low profile "mud free" MTB pedal	
Body:	Aluminium, black coated
Size:	82 × 59mm
Weight:	334 gram/pair
Cleat:	UM-1 inclusive, Shimano 51 compatible

SP-5400

CM CBS



Clipless RACE pedal	
Body:	Aluminium, polished
Size:	80 × 65mm
Weight:	310 gram/pair
Cleat:	UM-1 inclusive, Shimano 51 compatible

SP-5500

CM CBS



Dual-Function Trekking-Bike pedal	
Body:	Aluminium, silver coated
Size:	85 × 84mm
Weight:	352 gram/pair
Cleat:	UM-1 inclusive, Shimano 51 compatible

SP-5750

CM LBA



Clipless low profile RACE pedal	
Body:	Aluminium, silver coated
Size:	84 × 91mm
Weight:	294 gram/pair
Cleat:	UR-5 (Look ARC compatible) inclusive

SP-5700

CM or T CBS



Clipless low profile RACE pedal	
Body:	Aluminium, high polished
Size:	80 × 92mm
Weight:	294 (CrMo) gram/pair 250 (Titanium) gram/pair
Cleat:	UR-5 (Look ARC compatible) inclusive

SP-5700K

CM or T CBS



Clipless low profile RACE pedal, for use in combination with innovative URK cleats	
Body:	Aluminium, silver coated
Size:	78 × 91mm
Weight:	326 (CrMo) gram/pair 282 (Titanium) gram/pair
Cleat:	URK-6 (Look KEO compatible) inclusive

SP-5700K BLACK

CM or T CBS



Clipless low profile RACE pedal, for use in combination with innovative URK cleats	
Body:	Aluminium, black coated option: white or red coated
Size:	78 × 91mm
Weight:	326 (CrMo) gram/pair 282 (Titanium) gram/pair
Cleat:	URK-6 (Look KEO compatible) inclusive

SP-5800

CM CBS BS AL BA



Dual-Function Trekking-Bike pedal, with "non slip" elastomer tread

Body: Aluminium, ball polished
Size: 101 × 65mm
Weight: 354 gram/pair
Cleat: UM-1 inclusive, Shimano 51 compatible

SP-5850

CM LBA BS AL BA



Dual-Function Trekking-Bike pedal, with "non slip" elastomer tread

Body: Aluminium, ball polished
Size: 102 × 65mm
Weight: 372 gram/pair
Cleat: UM-1 inclusive, Shimano 51 compatible

SP-5900

CM CBS AL BA



Dual-Function MTB pedal, with reinforced axle and bearings

Body: Aluminium, ball polished
Size: 105 × 65mm
Weight: 446 gram/pair
Cleat: UM-1 inclusive, Shimano 51 compatible

UM1



- MTB cleat, black coated, with improved mud clearance
- Shimano 51 compatible
- 4° lateral float
- Set with 2 cleats / 2 washers / 4 screws

Material: CrMo (SCM-415)
Weight: 54 gram/set

UR5



- Racing cleat, "float", red
- Look "ARC" compatible
- 9° lateral float
- Set with 2 cleats / 6 washers / 6 screws

Material: reinforced Nylon
Weight: 88 gram/set

UR6



- Racing cleat, black
- Look "ARC" compatible
- 3° lateral float
- Set with 2 cleats / 6 washers / 6 screws

Material: reinforced Nylon
Weight: 88 gram/set

URK-0



- Racing cleat, Look KEO compatible
- Fix, (0° lateral float) / black
- Set with 2 cleats / 6 washers / 6 screws

Material: reinforced Nylon & TPR
Weight: 52 gram/set

URK-6



- Racing cleat, Look KEO compatible
- 6° lateral float / red
- Set with 2 cleats / 6 washers / 6 screws

Material: reinforced Nylon & TPR
Weight: 52 gram/set

URK-9



- Racing cleat, Look KEO compatible
- 9° lateral float / gray
- Set with 2 cleats / 6 washers / 6 screws

Material: reinforced Nylon & TPR
Weight: 52 gram/set

SP-250

BR BA



With horizontal balance weight	
Function:	non slip home trainer pedal
Body:	PP with non-slip inlay (grey)
Size:	137 × 123mm
Weight:	660 gram/pair

SP-240

BR BA



With horizontal balance weight	
Function:	home trainer pedal
Body:	PP
Size:	137 × 123mm
Weight:	640 gram/pair

SP-209

BR BA



Function:	home trainer pedal
Body:	PP
Size:	100 × 120mm
Weight:	750 gram/pair

MT-1



• For use with straps	
Function:	MTB/ATB toe clip
Material:	nylon

MT-2



• For strapless use	
Function:	MTB/ATB toe clip
Material:	nylon

MT-11



• For use with straps	
Function:	MTB/ATB toe clip
Material:	nylon
Reflector:	integrated (approved, screw-in)

MT-13



• For use with straps	
Function:	Road/Trekking toe clip
Material:	PP
Reflector:	integrated (approved, screw-in)

MT-14



• For strapless use	
Function:	Road /MTB/Trekking toe clip
Material:	PP
Reflector:	integrated (approved, screw-in)

STRAP-N

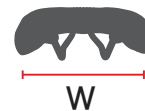


Function:	for use with MT-11 or MT-1 toe clip
Material:	PP woven
Size:	12.5 × 450mm

BIKE | **ATB** ATB
MTB MTB
RB Road bike
LB Lady bike

DB Downhill bike
CB Commuter bike
ORB Off road bike
EB E-bike

KID Kids bike



VIENNA

EB **CB** **VU** **ES** **EBR**

Top: PU
Base: black PP + Glass fiber
Size: 252 x 222mm
Weight: 519 (steel) gram/pc



LINDAU

EB **CB** **VU** **EBR**

Top: PU
Base: black PP
Size: 258 x 190mm
Weight: 443 (steel) gram/pc



MONACO

EB **CB** **VU** **ES** **EBR**

NEW

Top: PU
Base: black PP + Glass fiber
Size: 255 x 220mm
Weight: 720 (steel) gram/pc



LUGANO

EB **CB** **VU** **ES** **EBR**

Top: PU
Base: black PP + Glass fiber
Size: 255 x 231mm
Weight: 896 (steel) gram/pc



VERONA

EB **CB** **VU** **EBR**

NEW

Top: PU
Base: black PP
Size: 265 x 200mm
Weight: 450 (steel) gram/pc



VARESE

EB **CB** **VU** **GEL** **EBR**

Top: PU
Base: black PP
Size: 265 x 200mm
Weight: 450 (steel) gram/pc



DONAU

CB **HD** **EBR**

Top: PU
Base: black PP
Size: 255 x 190mm
Weight: 439 (steel) gram/pc



MOSEL

CB **HD** **EBR**

Top: PU
Base: black PP + Glass fiber
Size: 275 x 160mm
Weight: 395 (steel) gram/pc



TAUNUS

ATB **MTB** **HD** **EBR**

Top: PU
Base: black PP
Size: 250 x 150mm
Weight: 422 (steel) gram/pc



TORINO

ATB **MTB** **VU** **EBR**

NEW

Top: PU
Base: black Nylon + Glass fiber
Size: 270 x 180mm
Packing: 420 (steel) gram/pc



FOAM | (GEL) w / Gel inlay (CP) Cutting foam padded (HD) High density foam (VU) Vacuum (HR) High Resilience foam padded

RAIL | (SR) Ø7mm steel rail (ES) Elastomer (SP) Spring (SPS) Spring w / safety cover (DS) Double spring (ST) Satin steel rail (EBR) ED black steel rail **CLAMP** | (CS) Clamp set

3010

(KID) (CP) (SR) (CS)

Top: Vinyl
Base: black PP
Size: 237 × 142mm
Packing: 20 pcs./carton



3020

(KID) (HR) (SR) (CS)

Top: Vinyl
Base: black PP
Size: 225 × 136mm
Packing: 20 pcs./carton



3110

(ATB) (MTB) (HR) (SR) (CS)

Top: Vinyl
Base: black PP
Size: 260 × 160mm
Packing: 20 pcs./carton



3140

(ATB) (MTB) (HR) (SR) (CS)

3145 GEL

(ATB) (MTB) (HR) (GEL) (SR) (CS)

Top: Vinyl (3140)
Base: black PP
Size: 250 × 190mm
Packing: 20 pcs./carton



Top: PU (3145)
Base: black PP
Size: 250 × 190mm
Packing: 20 pcs./carton

3220

(CB) (HR) (SR) (SPS) (CS)

3225 GEL

(CB) (HR) (GEL) (SR) (SPS) (CS)

Top: Vinyl (3220)
Base: black PP
Size: 252 × 225mm
Packing: 20 pcs./carton



Top: PU (3225)
Base: black PP
Size: 252 × 225mm
Packing: 20 pcs./carton

Brown cover available

3240

(CB) (HR) (SR) (ES) (CS)

3245 GEL

(CB) (HR) (GEL) (SR) (ES) (CS)

Top: Vinyl (3240)
Base: black PP
Size: 251 × 219mm
Packing: 20 pcs./carton



Top: PU (3245)
Base: black PP
Size: 251 × 219mm
Packing: 20 pcs./carton

Brown cover available

3250

(CB) (HR) (SR) (ES) (CS)

Top: Vinyl
Base: black PP
Size: 252 × 220mm
Packing: 20 pcs./carton



3255 GEL

(CB) (HR) (GEL) (SR) (ES) (CS)

Top: Vinyl
Base: black PP
Size: 252 × 220mm
Packing: 20 pcs./carton



2749

(CB) (HR) (SR) (SP) (CS)

Top: Vinyl, Emerald or Lycra
Base: black PP
Size: 254 × 203mm
Packing: 25 pcs./carton



2785B

(CB) (HR) (SR) (DS) (CS)

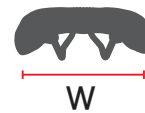
Top: Vinyl, Emerald or Lycra
Base: black PP
Size: 265 × 212mm
Packing: 20 pcs./carton



Brown cover available

BIKE	ATB	ATB
	MTB	MTB
	RB	Road bike
	LB	Lady bike

DB	Downhill bike
CB	Commuter bike
ORB	Off road bike
EB	E-bike



VENTOUX

RB SL CNT

Top:	PU + Micro fiber
Base:	black Nylon + Glass fiber
Size:	285 × 125mm
Weight:	199(CrNi/Ti) gram/pc



VENTOUX WHITE

RB SL CNT

Top:	PU + Micro fiber
Base:	black Nylon + Glass fiber
Size:	285 × 125mm
Weight:	199(CrNi/Ti) gram/pc



TOURMALET

RB MTB SL CNT

Top:	PU + Micro fiber
Base:	black Nylon + Glass fiber
Size:	280 × 130mm
Weight:	234(CrNi/Ti) gram/pc



TOURMALET WHITE

RB MTB SL CNT

Top:	PU + Micro fiber
Base:	black Nylon + Glass fiber
Size:	280 × 130mm
Weight:	234(CrNi/Ti) gram/pc



POGGIO

RB MTB SL CNT

Top:	PU + Micro fiber
Base:	black Nylon + Glass fiber
Size:	290 × 135mm
Weight:	225(CrNi/Ti) gram/pc



POGGIO WHITE

RB MTB SL CNT

Top:	PU + Micro fiber
Base:	black Nylon + Glass fiber
Size:	290 × 135mm
Weight:	225(CrNi/Ti) gram/pc



ARIZONA

RB MTB HD S-CM

Top:	PU
Base:	black Nylon + Glass fiber
Size:	290 × 135mm
Weight:	284(CrMo) gram/pc



ARIZONA WHITE

RB MTB HD S-CM

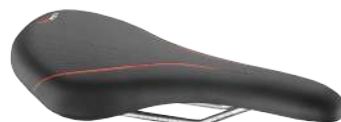
Top:	PU
Base:	black Nylon + Glass fiber
Size:	290 × 135mm
Weight:	284(CrMo) gram/pc



AVORIAZ

RB MTB HD S-CM

Top:	PU
Base:	black Nylon + Glass fiber
Size:	295 × 150mm
Weight:	374(CrMo) gram/pc



AVORIAZ WHITE

RB MTB HD S-CM

Top:	PU
Base:	black Nylon + Glass fiber
Size:	295 × 150mm
Weight:	374(CrMo) gram/pc



FOAM (SL) Super-Light foam
(HD) High density foam

(GEL) w / Gel inlay
(VU) Vacuum

RAIL (CNT) CrNi/Ti rail
(T-CM) Two toned CrMo rail
(S-CM) Satin CrMo rail

(ST) Satin steel rail
(EBR) ED black steel rail

MODANE

(RB) (MTB) (HD) (S-CM)

Top: PU
Base: black Nylon + Glass fiber
Size: 290 × 135mm
Weight: 285(CrMo) gram/pc



MODANE WHITE

(RB) (MTB) (HD) (S-CM)

Top: PU
Base: black Nylon + Glass fiber
Size: 290 × 135mm
Weight: 285(CrMo) gram/pc



BRAVURA

(MTB) (HD) (S-CM)

Top: PU
Base: black Nylon + Glass fiber
Size: 280 × 135mm
Weight: 280(CrMo) gram/pc



BRAVURA WHITE

(MTB) (HD) (S-CM)

Top: PU
Base: black Nylon + Glass fiber
Size: 280 × 135mm
Weight: 280(CrMo) gram/pc



ABRUZZO

(MTB) (HD) (S-CM)

Top: PU
Base: black Nylon + Glass fiber
Size: 280 × 136mm
Weight: 320(CrMo) gram/pc



ABRUZZO WHITE

(MTB) (HD) (S-CM)

Top: PU
Base: black Nylon + Glass fiber
Size: 280 × 136mm
Weight: 320(CrMo) gram/pc



ARDÈCHE

(RB) (MTB) (HD) (ST)

Top: Vinyl
Base: black Nylon + Glass fiber
Size: 290 × 135mm
Weight: 354(steel) gram/pc



TOSCANA

(RB) (MTB) (HD) (ST)

Top: Vinyl
Base: black Nylon + Glass fiber
Size: 295 × 150mm
Weight: 414(steel) gram/pc



JURA

(MTB) (HD) (ST)

Top: Vinyl
Base: black Nylon + Glass fiber
Size: 280 × 135mm
Weight: 320(steel) gram/pc



PIEMONTE

(MTB) (HD) (ST)

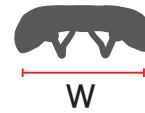
Top: Vinyl
Base: black Nylon + Glass fiber
Size: 280 × 136mm
Weight: 360(steel) gram/pc



BIKE

- ATB ATB
- MTB MTB
- RB Road bike
- LB Lady bike

- DB Downhill bike
- CB Commuter bike
- ORB Off road bike
- EB E-bike



3438

RB (SL) /CNT

Top:	Micro fiber leather
Size:	285 × 125mm
Weight:	199 (CrNi/Ti) gram/pc



3436B

ATB RB (HD) /S-CW

Top:	PU leather
Size:	295 × 150 mm
Weight:	374 (CrMo) gram/pc



3432

ATB RB (SL) /CNT

Top:	<ul style="list-style-type: none"> • Micro fiber leather + Kevlar black • High Frequency & hot sealed design
Size:	275 × 130mm
Weight:	234 (CrNi/Ti) gram/pc



3430

DB ORB (HD) /S-CW

Top:	<ul style="list-style-type: none"> • Vinyl white • High Frequency design
Size:	280 × 130mm
Weight:	309 (CrMo) gram/pc



3428

RB (HD) /ST

Top:	PU leather
Size:	293 × 135mm
Weight:	329 (steel) gram/pc



3426

ATB RB (HD) /S-CW

Top:	<ul style="list-style-type: none"> • Kevlar black w/embroidery logo • With anatomic hole design
Size:	275 × 135mm
Weight:	304 (CrMo) gram/pc



3426A

ATB RB /T-CW

Top:	<ul style="list-style-type: none"> • Micro fiber leather • With Frequency & sealed design • With anatomic hole design
Size:	275 × 135mm
Weight:	247 (CrMo) gram/pc



3426C

ATB RB (HD) /S-CW

Top:	Micro fiber leather
Size:	278 × 135mm
Weight:	284 (CrMo) gram/pc



3424A

ATB RB (HD) /T-CW

Top:	<ul style="list-style-type: none"> • Environmental friendly TPU • With Frequency & sealed design
Size:	280 × 130mm
Weight:	296 (CrMo) gram/pc



GALIBIER

RB MTB (VU) /CNT or /S-CW or /EBR

NEW

Top:	PU
Base:	black Nylon + Glass fiber
Size:	280 × 125mm
Weight:	235 (CrNi/Ti) or 260 (CrMo) or 300 (steel) gram/pc



FOAM

- SL Super-Light foam
- HD High density foam

- GEL w / Gel inlay
- VU Vacuum

RAIL

- CNT CrNi/Ti Aluminium rail
- T-CM Two toned CrMo rail
- S-CM Satin CrMo rail

- ST Satin steel rail
- EBR ED black steel rail

3178

ATB HD S-CM

Top:	Micro fiber leather
Size:	274 × 135mm
Weight:	280 (CrMo) gram/pc



3170G

ATB HD ST

Top:	Vinyl
Size:	280 × 136 mm
Weight:	352 (steel) gram/pc



3142

MTB HD EBR

Top:	Vinyl
Size:	246 × 150 mm
Weight:	330 (ED BK steel) gram/pc



3132

MTB HD EBR

Top:	Vinyl
Size:	275 × 143 mm
Weight:	338 (ED BK steel) gram/pc



3380

ATB MTB GEL

With GEL inlay inside, for shock absorbing and comfortable riding.

Size:	270 × 165mm
Weight:	270 g



3385

CB GEL

With GEL inlay inside, for shock absorbing and comfortable riding.

Size:	260 × 235mm
Weight:	340 g



SC-50

Aluminium seat clamp

Material:	cold forged AL 6061, T6
Diameter:	ø 28.6 / 31.8 / 34.9mm
Color:	black or silver
Weight:	20 gram



SC-55

Aluminium seat clamp, with stainless steel screw

Material:	cold forged AL 6061, T6
Diameter:	ø 31.8 / 34.9mm
Color:	black or silver
Weight:	32 gram



SC-60

Aluminium seat clamp, with stainless steel screw

Material:	cold forged AL 6061, T6
Diameter:	ø 28.6 / 31.8 / 34.9mm
Color:	black
Weight:	21 gram



SC-65

Aluminium seat clamp, with stainless steel screw

Material:	cold forged AL 6061, T6
Diameter:	ø 31.8 / 34.9mm
Color:	black or silver
Weight:	26 gram



SC-70QR

Aluminium seat clamp, with quick release bolt

Material:	cold forged AL 6061, T6
Diameter:	ø 28.6 / 31.8 / 34.9mm
Color:	black or silver
Weight:	51 gram

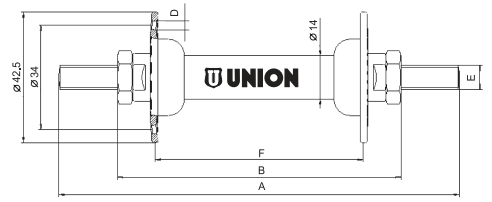


QR-650

Aluminium Quick Release

Material:	AL 6061 lever and nut, Cr-Mo skewer
Length:	50mm
Color:	black or silver
Weight:	39 gram

410

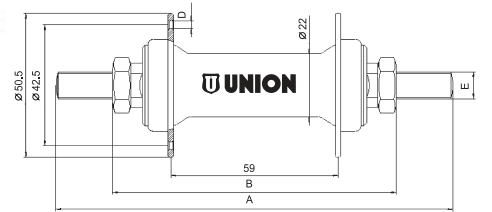


Front hub type	Weight (gram)	Number of spoke holes	A Axle length (Mm)	B Over lock nut dimension (Mm)	Free axle end Right + left (Mm)	D Spoke hole Diameter (Mm)	E Axle thread	F Flange distance (Mm)
	w/o nuts							
410-01	153	16	120	80	20	2.8 +/-0.1	5/16" x 26TPI	56.5
410-02	166	16	130	92	19	2.8 +/-0.1	5/16" x 26TPI	56.5
410-03	164	16	130	92	19	2.8 +/-0.1	5/16" x 26TPI	67.5
410-04	163	20	130	92	19	2.8 +/-0.1	5/16" x 26TPI	67.5
410-05	160	36	130	92	19	2.8 +/-0.1	5/16" x 26TPI	67.5
410-06	162	28	130	92	19	2.8 +/-0.1	5/16" x 26TPI	67.5
412-01	195	36	140	100	20	2.8 +/-0.1	3/8" x 26TPI	67.5

420

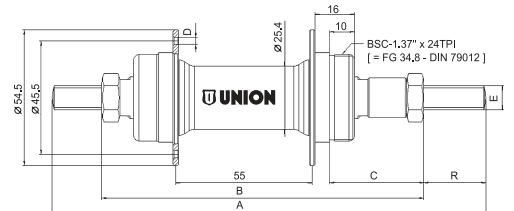


420QR



Front hub type	Weight (gram)	Number of spoke holes	A Axle length (mm)	B Over lock nut dimension (mm)	Free axle end right + left (mm)	D Spoke hole diameter (mm)	E Axle thread	F Flange distance (mm)
	w/o nuts							
420-01	248	36	140	100	20	2.8 +/-0.1	3/8" x 26TPI	59
420-01 QR	267	36	108	100	4	2.8 +/-0.1	3/8" x 26TPI	59

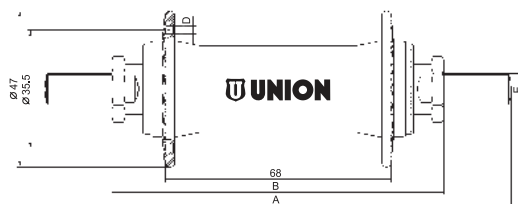
463



All STEEL hubs also available in black

Rear hub type	Weight (gram)	Number of spoke holes	A Axle length (mm)	B Over lock nut dimension (mm)	C Sprocket clearance (mm)	Free Axle right (mm)	D Spoke hole diameter (mm)	E Axle thread
	w/o nuts							
463-7	370	36	175	130	38	25	2.8 +/-0.1	3/8" x 26TPI
463-7 CrMo	370	36	175	130	38	25	2.8 +/-0.1	3/8" x 26TPI
463-8	372	36	180	135	40	25	2.8 +/-0.1	3/8" x 26TPI
463-8 CrMo	372	36	180	135	40	25	2.8 +/-0.1	3/8" x 26TPI

512



512QR



Rubber cap

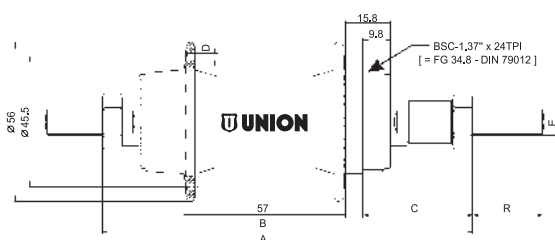
Safety washer

Flange nut

Cap nut 17mm total height

Front hub type	Weight (gram)	Number of spoke holes	A Axle length (mm)	B Over lock nut dimension (mm)	Free axle right (mm)	D Spoke hole diameter (mm)	E Axle thread
512	w/o nuts 176	36	140	100	20	2.9 +/-0.1	3/8" x 26TPI
512 QR	with QR 188	36	108	100	4	2.9 +/-0.1	M9 x 1

562



562QR



All ALUMINIUM hubs also available in black (anodized)



Rubber cap

Flange nut

Cap nut 21mm total height

Rear hub type	Weight (gram)	Number of spoke holes	A Axle length (mm)	B Over lock nut dimension (mm)	C Sprocket clearance (mm)	R Free axle right (mm)	D Spoke hole diameter (mm)	E Axle thread
562-7	w/o nuts 286	36	175	130	38	25	2.9 +/-0.1	3/8" x 26TPI
562-8	291	36	180	135	40	25	2.9 +/-0.1	3/8" x 26TPI
562-7 QR	with QR 301	36	140	130	38	5	2.9 +/-0.1	M10 x 1
562-8 QR	311	36	145	135	40	5	2.9 +/-0.1	M10 x 1

Headlights: 6 Volt / 2.4 Watt

UN-4920 RETRO 20

- Classic front light with 1 x LED white
- 20 Lux performance
- For use with side dynamo
- With 2+2 INPUT and OUTPUT terminal lugs
- Mounting on front fork, bracket stainless steel



~ K 1122
IA (E1) 024005

UN-4925 RETRO 20 ON/OFF

- Like RETRO 20 (UN-4920), with on/off switch
- For use with hub dynamo
- With 2+2 INPUT and OUTPUT terminal lugs



UN-4926 RETRO 20 STEADY

- Like RETRO 20 ON/OFF (UN-4925)
- With "battery free" standlight function

UN-4928 RETRO 20 STEADY SENSOR

- Like RETRO 20 STEADY (UN-4926), with on/auto/off switch
- With automatic ON/OFF mode

UN-4930 RETRO 40

- Classic front light with 1 x LED white
- 40 Lux performance
- For use with side dynamo
- With 2+2 INPUT and OUTPUT terminal lugs
- Mounting on front fork, bracket stainless steel



~ K 1123
IA (E1) 024005

UN-4935 RETRO 40 ON/OFF

- Like RETRO 40 (UN-4930), with on/off switch
- For use with hub dynamo
- With 2+2 INPUT and OUTPUT terminal lugs

UN-4936 RETRO 40 STEADY

- Like RETRO 40 ON/OFF (UN-4935)
- With "battery free" standlight function



UN-4938 RETRO 40 STEADY SENSOR

- Like RETRO 40 STEADY (UN-4936), with on/auto/off switch
- With automatic ON/OFF mode



IA (E1) 023511

UN-4965 MOBILE

- Front light with 1 x LED white, and on/off button at the top
- For use with hub dynamo, with fixed twin cable
- Mounting on front fork, bracket stainless steel



black



white



IA (E1) 023511

UN-4965+ MOBILE PLUS

- Front light with 1 x high power LED and on/off button at the top
- 10 Lux performance
- For use with hub dynamo, with fixed twin cable
- Mounting on front fork, bracket stainless steel



black

UN-4990 CLASSICO

- Classic front light with 1 x LED white
- 30 Lux performance
- For use with side dynamo, with fixed input twin cable
- 1+1 terminal lugs for optional tail light connection
- Mounting at the front fork, bracket stainless steel



~ K 1374
IA (E1) 024592



UN-4995 CLASSICO ON/OFF

- Like CLASSICO (UN-4990), with on/off switch
- For use with hub dynamo, with fixed input twin cable
- 1+1 terminal lugs for tail light connection

UN-4996 CLASSICO STEADY

- Like CLASSICO ON/OFF (UN-4995)
- With "battery free" stand light function

UN-4220

- Durable ABS housing
- HALOGEN bulb
- 1+1 plug-on contact for secure twin-cable connection
- Base with serration washer and ground contact



~ K 418

UN-4225

- Like UN-4220, with additional ON-OFF switch for use with hub dynamo
- 1+1 lugs for twin-cable connection to dynamo and 1+1 terminal lugs for taillight connection



~ K 418



UN-4250 VENTI

- Front light with 1 x LED white
- 20 Lux performance
- For use with side dynamo
- With 1+1 INPUT terminal lugs
- Mounting on front fork, bracket stainless steel



~ K 990
IA (E1) 023716

UN-4255 VENTI ON/OFF

- Like VENTI (UN-4250), with on/off switch
- For use with hub dynamo, with fixed twin cable, 60 cm
- With 1+1 terminal lugs for taillight



UN-4256 VENTI STEADY

- Like VENTI ON/OFF (UN-4255)
- With "battery free" stand light function

UN-4258 VENTI STEADY SENSOR

- Like VENTI STEADY (UN-4256), with on/auto/off switch
- With automatic ON/OFF mode

UN-4250E VENTI E-BIKE

- Like VENTI (UN-4250)
- For use at EPAC (E-Bike) at a Voltage between 6V to 44V DC



~ K 1374
IA (E1) 024592

UN-4290 LUPA

- Front light with 1 x LED white
- 30 Lux performance
- For use with side dynamo
- 2+2 INPUT and OUTPUT terminal lugs, for optional tail light connection
- Mounting at the front fork, bracket stainless steel

UN-4295 LUPA ON/OFF

- Like LUPA (UN-4290), with on/off switch
- For use with hub dynamo
- 2+2 INPUT and OUTPUT terminal lugs

UN-4296 LUPA STEADY

- Like LUPA ON/OFF (UN-4295)
- With "battery free" stand light function

UN-4298 LUPA STEADY SENSOR

- Like LUPA STEADY (UN-4296)
- With automatic ON/OFF mode



~ K 1374
IA (E1) 024592

UN-4275 SPARK ON/OFF

- Front light with 1 x LED white
- 50 Lux performance
- With on/off switch, for use with hub dynamo
- 2+2 INPUT and OUTPUT terminal lugs
- Mounting at the front fork, bracket stainless steel

UN-4276 SPARK STEADY

- Like SPARK ON/OFF (UN-4275)
- With "battery free" stand light function

UN-4278 SPARK STEADY SENSOR

- Like SPARK STEADY (UN-4276), with on/auto/off switch
- With automatic ON/OFF mode

UN-4270E SPARK E-BIKE

- Like SPARK (UN-4275), but w/o switch
- 1+1 INPUT terminal lugs
- For use at EPAC (E-Bike) at a Voltage between 6V to 44V DC



UN-4260 HILUX

- Front light with 1 x LED white
- 35 Lux performance
- For use with side dynamo
- With 1+1 INPUT terminal lugs
- Mounting on front fork, bracket stainless steel



~ K 836
IA (E1) 023273

UN-4265 HILUX ON/OFF

- Like HILUX (UN-4260), with on/off switch
- For use with hub dynamo, with fixed twin cable, 60 cm
- With 1+1 terminal lugs for taillight connection



UN-4266 HILUX STEADY

- Like HILUX ON/OFF (UN-4265)
- With "battery free" stand light function

UN-4268 HILUX STEADY SENSOR

- Like HILUX STEADY (UN-4266), with on/auto/off switch
- With automatic ON/OFF mode

Rear Lights: 6 Volt

UN-4370

- 1 red LED and light bar for bright luminosity
- Extra wide radiation >220°
- Transparent lens and durable ABS housing
- 1+1 INPUT terminal lugs
- Base with stainless steel M5 bolt, washer and lock nut

UN-4360

- 3 red LED and light bar for very bright luminosity
- Extra wide radiation to the sides >220°
- Transparent lens and durable ABS housing
- 1+1 INPUT terminal lugs
- Base with 2 x M5 bolts, for luggage carrier mounting 50/80 mm
- With stainless steel bolts, washers and lock nuts

UN-4350

- 1 bright red LED and light bar for high luminosity
- Extra wide radiation to the sides >220°
- Transparent lens and durable ABS housing
- 1+1 INPUT terminal lugs
- Base with 2 x M5 for luggage carrier mounting 50/80 mm
- With stainless steel fasteners

UN-4340

- 1 bright red LED for extra wide radiation >220°
- Transparent lens
- Durable ABS housing
- 1+1 clamp contact
- Base with 2 x M5 bolt, for luggage carrier mounting 50mm/80mm

UN-4320

- 3 red LED for >220° radiation
- Transparent lens
- Durable ABS housing
- 1+1 clamp contact
- Base with M 5 bolt, for easy mudguard mounting

UN-4370E

- Like UN-4370,
- For use at EPAC (E-Bike) at a Voltage between 6V to 15V DC

UN-4375

- Like UN-4370, with "battery free" stand light function, powered by capacitor

UN-4360E

- Like UN-4360
- For use at EPAC (E-Bike) at a Voltage between 6V to 15V DC

UN-4365

- Like UN-4360, with "battery free" stand light function, powered by capacitor



~ K 1237 IA (E) 024302



~ K 694



~ K 693



~ K 1326

IA (E) 024515



Dynamos: 6 Volt / 3 Watt

UN-4105

- Efficiency more than 35%
- Release lever for easy operating
- Durable nylon pulley
- 1+1 clamp contact for twin-cable
- Zinc plated bracket with serration washer
- RIGHT- and LEFT- side type
- Maintenance free
- Weight : 147g

~ K 386



UN-4190

- Efficiency more than 35%
- Sintered steel bearings
- Serrated steel pulley
- 1+1 clamp contact for twin-cable
- Zinc plated bracket with serration washer
- RIGHT- and LEFT- side type
- Maintenance free
- Weight : 202g



UN-4125

- Efficiency more than 35%
- Release lever for easy operating
- Durable rubber pulley
- 2+2 plug-on contacts for twin-cable
- Zinc plated bracket + serration washer
- RIGHT- and LEFT- side type available
- Maintenance free
- Weight : 150g

~ K 386



UN-4195

- Efficiency more than 35%
- Sintered steel bearings
- Durable rubber pulley
- 1+1 clamp contact for twin-cable
- Zinc plated bracket + serration washer
- RIGHT- and LEFT- side type available
- Maintenance free
- Weight : 148g

~ K 386



LED Headlights

UN-4980 CLASSICO BATTERY

- Front light with 1 x LED white, with on/off button at the top
- 20 Lux performance
- Batteries : 4 x AAA alkaline, included and assembled
- Mounting at the front fork, bracket stainless steel



~ K 1374
IA (E1) 024592

UN-4280 LUPA BATTERY

- Front light with 1 x LED white, with on/off button at the top
- 20 Lux performance
- Batteries : 4 x AAA alkaline, included and assembled
- Mounting at the front fork, bracket stainless steel



~ K 1374
IA (E1) 024592

UN-4915 RETRO BATTERY

- Classic front light with 1 x LED white
- 20 Lux performance
- With on/off button at the top
- Batteries : 4 x AAA alkaline, included and assembled
- Mounting on front fork, bracket stainless steel



~ K 1122
IA (E1) 024005

UN-4240 VENTI BATTERY

- Front light with 1 x LED white, with on/off button at the top
- 20 Lux performance
- Batteries : 4 x AAA alkaline, included and assembled
- Mounting on front fork, bracket stainless steel



~ K 1196

UN-4245 VENTI BATTERY SENSOR

- Like VENTI BATTERY (UN-4240)
- With automatic ON/OFF mode

IA (E1) 024188

UN-4960 MOBILE BATTERY

- Front light with 1 x LED white and on/off button at the top
- Batteries : 2 x AA alkaline, included and assembled
- Mounting on front fork, bracket stainless steel



black white



IA (E1) 023511

UN-4960⁺ MOBILE PLUS BATTERY

- Front light with 1 x high power LED, with two modes (low / high) by push button at the top
- 10 Lux in high mode / 5 Lux in low mode
- Batteries : 2 x AA alkaline, included and assembled
- Mounting on front fork, bracket stainless steel



black



IA (E1) 023511

UN-4900

- Front light with 3 x LED white, with on/off button at the top
- Batteries : 3 x AAA alkaline, included and assembled
- Mounting on handlebar stem bracket
- ABS-housing, available in black, white and chrome



UN-4900 STAINLESS STEEL & RETRO REFLECTOR

- Like UN-4900, with lamp holder in stainless steel
- With retro reflector in ring design
- ABS-housing, available in black and chrome



UN-4800

- Front light with 1 x LED white and on/off button at the front
- 10 Lux performance
- Batteries : 3x AAA alkaline, included and assembled
- Mounting at the front fork, bracket stainless steel



UN-4955 MINI

- Classic LED front light, downsized
- With on/off button at the top and 1 x high power LED white
- Batteries : 2 x AAA alkaline, included and assembled
- Various mounting opportunities, bracket flange stainless steel



LED Rear Lights

UN-4470

- 1 red LED and light bar for bright luminosity
- Extra wide radiation >220°
- Transparent lens and durable ABS housing
- Batteries : 2 x AAA, included and assembled
- On/off switch at the back side
- Base with M5 bolt
- With stainless steel fasteners

UN-4475

- Like UN-4470, with 1 red LED and light bar
- With automatic ON/OFF mode



~ K 1326
IA (E1) 024515

UN-4460

- 3 red LED and light bar for very bright luminosity
- Extra wide radiation to the sides >220°
- Transparent lens and durable ABS housing
- Batteries : 2 x AA, included and assembled
- On/off button at the side
- Base with 2 x M5 bolts, for luggage carrier mounting 50/80 mm
- With stainless steel bolts, washers and lock nuts



UN-4465

- Like UN-4460, with 3 red LED and light bar
- With automatic ON/OFF mode



~ K 1237
IA (E1) 024302

UN-4450

- 1 bright red LED and light bar for high luminosity
- Extra wide radiation to the sides >220°
- Transparent lens and durable ABS housing
- Batteries : 2 x AAA alkaline, included and assembled
- On/off switch at the side
- Base with 2 x M5 for luggage carrier mounting 50/80 mm
- With stainless steel fasteners



UN-4430

- Rear carrier light with 2 x LED red and light bar, with on/off switch at the bottom
- Batteries : 2 x AA alkaline, included and assembled
- Mounting on rear carrier with pitch 80mm (alternative 50mm)
- With stainless steel bolts, washers and lock nuts



IA (E1) 023409

UN-4420

- Rear carrier light with 3 x LED red, with on/off switch
- Batteries : 2 x AA alkaline, included and assembled
- Mounting on rear carrier with pitch 80mm (alternative 50mm)
- With stainless steel bolts, washers and lock nuts



IA (E1) 023349

UN-4400

- Rear carrier light with 2 x LED red in SMD technology and additional lenses, with on/off switch
- Batteries : 2 x AA alkaline, included and assembled
- Mounting on rear carrier with pitch 80mm (alternative 50mm)



NEW



NEW

UN-4309

- Rear mudguard light with 1 x LED red, with on/off switch at the back side
- Extra water resistant
- Batteries : 2 x AAA alkaline, included and assembled
- Stainless steel fasteners, including lock nut
- Mounting on rear mudguard
- With smoke glass

IA (E1) 024515

UN-4307

- Rear mudguard light with 1 x LED red, with on/off switch at the back side
- Extra water resistant
- Batteries : 2 x AAA alkaline, included and assembled
- Stainless steel fasteners, including lock nut
- Mounting on rear mudguard
- With smoke glass



IA (E1) 023408

Battery Lights

UN-406W *

- Front light LED (2 x LED)
- 2 x AAA battery
- Steady + flash
- Burning time 80 hrs.



UN-406R *

- Tail light LED (2 x LED)
- 2 x AAA battery
- Steady + flash
- Burning time 80 hrs.



*Also available in a set as UN-406 SET

Li-Ion Battery Lights



UN-100 **

- Front light LED
- Direct USB adapter
- Steady + flash
- Burning time 2.5 hrs.

**Also available in a set as UN-102



UN-101 **

- Tail light LED
- Direct USB adapter
- Steady + flash
- Burning time 2.5 hrs.



UN-110

- Tail light LED (3 x LED)
- Incl. USB 2.0 charging cable
- Steady + flash
- 300° visibility (light guide)
- Burning time 6 hrs.



UN-120

- Tail light LED (2 x LED)
- Incl. micro USB charging cable
- Steady + flash
- Adjustable rubber quick release
- Burning time 6 hrs.



UN-130

- Tail light LED (2 x LED)
- Incl. USB 2.0 charging cable
- Bracket system with finger screw
- Steady + flash + steady 50%
- Burning time 4 hrs.



UN-150

- Front light LED
- 2 x LED (2 LUX)
- Incl. micro USB charging cable
- Steady + flash
- Adjustable rubber quick release
- Burning time 6 hrs.



UN-160

- Front light LED
- 2 x LED (4 LUX)
- Incl. USB 2.0 charging cable
- Bracket system with finger screw
- Black version with handlebar and V-brake bracket
- Steady + flash + steady 50%
- Burning time 4 hrs.



UN-170/170M2

- Front light LED
- 1 x LED (30 LUX)
- Incl. USB 2.0 charging cable
- Bracket system with finger screw
- Black version with handlebar and V-brake bracket
- Steady + flash + steady 50%
- Burning time 4 hrs. (UN-170) or 8 hrs. (UN-170M2)

UNION- 5N / 8N / 10N / 9WN-SILVER

- UNION-N cycle computer with silver coloured housing
- Available with 5-, 8- and 10- functions with wire (dark grey inner panel) and 9-functions wireless (blue inner panel)



AUTO ON / OFF



AUTO ON / OFF

UNION- 5N / 8N / 10N / 9WN-BLACK

- UNION-N cycle computer with black coloured housing
- Available with 5-, 8- and 10- functions with wire (black inner panel) and 9-functions wireless (blue inner panel)



AUTO ON / OFF

UNION- 5N / 8N / 10N / 9WN-WHITE

- UNION-N cycle computer with white coloured housing
- Available with 5-, 8- and 10- functions with wire (black inner panel) and 9-functions wireless (red inner panel)



UNION- 5 / 8 / 10 / 9W

- UNION cycle computer with titanium coloured housing
- Available with 5-, 8- and 10- functions with wire and 9-functions wireless



MODEL FUNCTION	UNION-5N UNION-5	UNION-8N UNION-8	UNION-10N UNION-10	UNION-9WN UNION-9W
Current speed	V	V	V	V
Average speed		V	V	V
Maximum speed		V	V	V
Trip distance	V	V	V	V
Odometer	V	V	V	V
Distance/ day				V
Auto scan	V	V	V	V
Speed pacer			V	
Riding time		V	V	V
Total riding time			V	
12 hours clock	V	V	V	
12/24 hours clock				V
FEATURES				
With wire	V	V	V	
Wireless				V
Auto ON/OFF				V

- 16 models of high quality computers
- Two years of full guarantee
- All computers packed in blister-panelbox
- Exclusive housing designs
- Special handlebar bracket
- Assembly instructions and user manual in 10 languages
- Easy installment

COMPUTER DISPLAY

- Can carry up to 16 computers
- Can stand on counter or hang at wall
- H 485 x W 348 x D 196mm





UNION-6 / 9 / 12

- UNION cycle computer with transparent upper housing and white lower casing
- Available with 6-, 9-, and 12- functions with wire
- Low battery indicator

UNION-13W

- UNION cycle computer with transparent upper housing and white lower casing
- Available with 13- functions, wireless
- Low battery indicator



AUTO ON / OFF



UNION-7TW

- UNION cycle computer
- Available in black or white
- 7- functions, wireless

AUTO ON / OFF

UNION-12TW

- UNION cycle computer
- Available in black or white
- 12- functions, wireless
- incl. Calories consumption and temperature



AUTO ON / OFF



UNION-21TAW

- UNION cycle computer
- Available in black or white
- 21- functions, wireless
- incl. altitude functions
- incl. Calories consumption and temperature
- Low battery indicator and backlight

AUTO ON / OFF

MODEL FUNCTION	UNION-6	UNION-9	UNION-12	UNION-13W	UNION-7TW	UNION-12TW	UNION-21TAW
Current speed	V	V	V	V	V	V	V
Average speed		V	V	V	V	V	V
Maximum speed		V	V	V		V	V
Trip distance	V	V	V	V	V	V	V
Dual wheel size							V
Odometer bike 1 & 2							V
(Total)Odometer	V	V	V	V	V	V	V
Distance/ day				V		V	V
Auto scan	V	V	V	V		V	V
Speed pacer			V	V	V	V	V
Riding time		V	V	V	V	V	V
Total riding time			V	V			
12/24 hours clock	V	V	V	V	V	V	V
Calory consumption	V	V	V	V		V	V
Total calory consumption			V	V			V
Temperature						V	V
Current altitude							V
Maximum altitude							V
Trip climb							V
Total climb bike 1 & 2							V
Total climb							V
Backlight							V
FEATURES							
With wire	V	V	V				
Wireless				V	V	V	V
Low battery indicator	V	V	V	V			V
Auto ON/OFF				V	V	V	V

- 10 models of high quality computers
- Two years of full guarantee
- All computers packed in blister-panelbox
- Exclusive housing designs
- Special handlebar bracket
- Assembly instructions and user manual in 10 languages
- Easy installment

Pedal Tool

BT-015
Pedal wrench



Headset Tool

BT-301
Headset wrench
30-32mm x 36-40mm



Hub Cone Tools

BT-310
Hub cone wrench
13-15mm x 14-16mm
(set of 2 pieces)



BT-317
Hub cone wrench 17mm

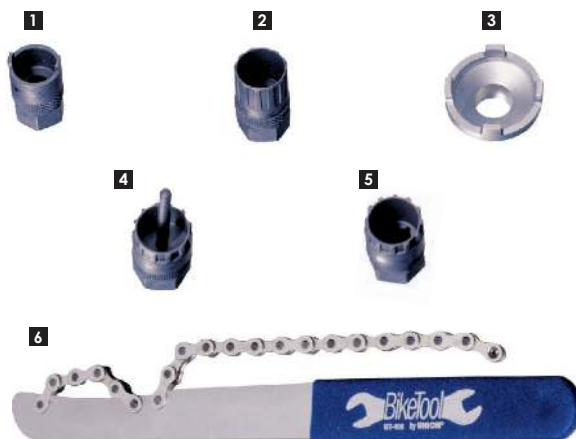
BT-318
Hub cone wrench 18mm

BT-319
Hub cone wrench 19mm



Freewheel and Cassette Tools

- 1 BT-402**
Freewheel remover for Suntour (2-notch)
- 2 BT-410**
Freewheel remover for Shimano HG20
- 3 BT-434**
Freewheel remover for BMX (4-notch)
- 4 BT-420**
Cassette sprocket locking tool with stabilizer (Shimano-type)
- 5 BT-440**
Cassette sprocket locking tool (Shimano-type)
- 6 BT-490**
Freewheel turner (chainwhip)



Crank Tools

BT-510
Cotterless crank
extractor (14mm)



BT-520
Cotterless crank
extractor with wrench
(all axles)



Bottom Bracket Tools

BT-610

Bottom bracket cup tool
(adjustable)



BT-620

Lock ring tool for bottom
bracket and headset



BT-630

Cartridge bottom bracket
tool (Shimano-type)



BT-650

Cartridge BB tool
(8-notch)



Cable Cutters

BT-800

Cable cutter,
cuts also outer casings



BT-801

Cable cutter PRO,
cuts also outer casings and spokes
and presses ferrules and caps.
With wire and casing
reconditioner



Tire Lever

BT-850

Tire lever set (nylon / fiberglass reinforced)



Spoke Tools

BT-127

Spoke wrench for 0,127"
nipples (DT Swiss &
WheelSmith)



BT-136

Spoke wrench for 0,136"
nipples (Asian nipples)



BT-130

Spoke wrench for 0,130"
nipples (European nipples)



BT-139

Spoke wrench 3-in-1
(for all nipples)



Chain Tools

BT-710

Chain rivet extractor
(fits all chains)



BT-750

Chain rivet extractor
Cr-Mo steel
(fits all chains)



Cleaning Tools

BT-780

Chain scrubber with solvent
reservoir and bristles



BT-860

Derailleur and chain
scrubber



Workshop Stand

BT-999

Aluminium workshop stand
Completely foldable
Bicycle can be fixed under any
angle (360°)



Folding Tool

BT-950

Folding tool with 9 functions



Mini Folding Tools

BT-955

Mini folding tool with 9 functions including T-25 driver
Blue anodized aluminium housing



BT-959

Mini folding tool with 13 functions including T-25 screwdriver and 4 different spoke wrenches
Stainless steel housing, TPE covered
With key ring



BT-985

Mini folding tool with 10 functions including T-25 driver
Keys forged and fully CNC processed
Black anodized aluminium housing



BT-989

Mini folding tool with 18 functions including T-25 and T-30 screwdrivers, a chain rivet extractor and 4 different spoke wrenches
Keys forged and fully CNC processed
Black anodized aluminium housing



BT-988

Mini folding tool with 18 functions including T-25 screwdrivers, tire lever and 4 different spoke wrenches
Stainless steel housing, TPE covered



Multifunction Tools

BT-960

Multifunction tool with 20 functions



BT-970

Multifunction tool with knife (8 functions)



BT-975

Multifunction tool with 18 functions (incl. nylon belt bag)



BT-980

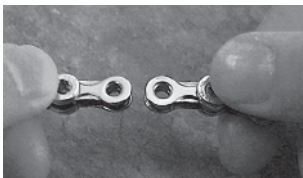
Multifunction tool with 20 functions (incl. nylon belt bag)





- Full range of high quality bicycle chains
- Type tested and certificated by German TÜV Product Service
- Two years warranty
- All chains packed in a compact panelbox with euroslot

- All panelboxes include connector for tool-free assembly
- All panelboxes carry BAR code
- QR-code for easy access to product information
- 3 models with special GST coating for supreme anti-rust protection



step 1

To connect the Sigma Connector, hold the inner plate ends of the chain in both hands and insert the connecting link.



step 2

Now that one side of the Sigma Connector is inserted, place the outer connector plate on one pin, then place your thumbs over the outside plate and both pins. Gently flex the chain by pushing with thumbs until the outside connector plate snaps into position over the second pin.



step 3

Make sure the plates are parallel to each other and plate is fully seated in the pin channel. Note: If the outside connector plate is not seated in the channel, the plate may fall off.



Disassembly :

With the connector plate facing you, grasp the chain 4 to 5 links away from the connector and flex the chain by pushing with your thumbs. The link disconnects and the connector can be removed.





GST 300 resists > 300hrs. salt spray test

GST 500 resists > 500hrs. salt spray test

	Type	Art.nr.	Size	Length	Finish	Design	Tensils strength	Compatibility	Extra feature	Connector
	747	390190	1/2"×1/8"	112 links	black	bush-type roller chain	>920 KGS	coaster brake	-	1 set UN-01 included
	410H	390410	1/2"×1/8"	112 links	black	bush-less	>920 KGS	single speed and gear hub 1/8"	-	1 set UN-33 included
	410H-AR	390415	1/2"×1/8"	112 links	titanium-grey with black pins	bush-less	>920 KGS	single speed and gear hub 1/8"	GST 300	1 set UN-33 in GST grey included
	430H	390430	1/2"×3/32"	112 links	black	bush-less	>1020 KGS	gear hub 3/32" and non-index	-	1 set UN-25 included
	430H-AR	390435	1/2"×3/32"	112 links	titanium-grey with black pins	bush-less	>1020 KGS	gear hub 3/32"	GST 300	1 set UN-25 in GST grey included
	710	390710	1/2"×3/32"	116 links	black	bush-less	>1020 KGS	5-/6-/7-speed index UG	-	1 set UN-23 included
	810	390810	1/2"×3/32"	116 links	black	bush-less	>1020 KGS	7-/8-speed IG/HG	Inner chamfer on inner plates	1 set UN-23 included
	810-AR	390815	1/2"×3/32"	116 links	titanium-grey	bush-less	>1020 KGS	7-/8-speed IG/HG	GST 500 Inner chamfer on inner plates	1 set UN-23 in GST grey included
	920	390920	1/2"×5/64"	116 links	silver	bush-less	>1020 KGS	9-speed HG	Double chamfer on outer plates, inner chamfer inner plates	2 set UN-20 included
	1020	390970	1/2"×5/64" extra narrow	116 links	silver	bush-less	>1020 KGS	10-speed HG/compatible with all 10-speed system	4-edges chamfered outer plates and deep inner	2 set UN-19 included

	Type	Art.nr.	Description	Application	Quantity	Size	Finish
	UN-01	390001	Spring clip connector Use standard plier Fits all chain brands	1/2"×1/8" bush-type coaster brake chain	2 sets on card or 500 in bulk	1/2"×1/8"	black
	UN-33	390033	Sigma connector No tools required Fits all chain brands	1/2"×1/8" chain for gear hub or single speed	2 sets on card or 500 in bulk	1/2"×1/8"	black
	UN-25	390025	Sigma connector No tools required Fits all chain brands	1/2"×3/32" chain for gear hub	2 sets on card or 500 in bulk	1/2"×3/32"	black
	UN-23	390023	Sigma connector No tools required Fits all chain brands	1/2"×3/32" derailleur chain 5-/6-/7-8-speed	2 sets on card or 500 in bulk	1/2"×3/32"	black/silver
	UN-20	390020	Sigma connector No tools required Fits all chain brands	1/2"×5/64" derailleur chain 9-speed	2 sets on card or 500 in bulk	1/2"×5/64"	silver
	UN-19	390019	Sigma connector No tools required Fits all chain brands	1/2"×5/64" derailleur chain 10-speed	2 sets on card or 500 in bulk	1/2"×5/64" extra narrow	silver



GH-001
fits various brands



GH-002
fits various brands



GH-003
fits various brands



GH-005
fits various brands



GH-006
fits various brands



GH-009
fits various brands



GH-010
fits various brands



GH-011
fits various brands



GH-012
fits various brands



GH-013
fits various brands



GH-014
fits various brands



GH-015
fits various brands



GH-017
fits various brands



GH-018
fits various brands



GH-020
fits various brands



GH-021
fits Giant and others



GH-022
fits various brands



GH-023
fits various brands



GH-026
fits various brands



GH-027
fits various brands



GH-029
fits various brands



GH-033
fits various brands



GH-036
fits various brands



GH-038
fits various brands



GH-039
fits various brands



GH-041
fits various brands



GH-043
fits various brands



GH-045
fits various brands



GH-049
fits various brands



GH-051
fits various brands



GH-056
fits various brands



GH-057
fits various brands



GH-058
fits various brands



GH-061
fits various brands



GH-062
fits various brands



GH-063
fits various brands



GH-068
fits Trek and others



GH-069
fits various brands



GH-072
fits various brands



GH-076
fits various brands



GH-078
fits various brands



GH-080
fits various brands



GH-081
fits various brands



GH-082
fits various brands



GH-083
fits Specialized (road)



GH-084
fits Specialized (MTB)



GH-085
fits Cube



GH-086
fits Specialized



GH-087
fits various brands



GH-088
fits various brands



GH-089
fits Specialized



GH-090
fits Felt



GH-092
fits Bianchi



GH-093
fits various brands



GH-094
fits Specialized



GH-095
fits Marin



GH-096
fits Marin



GH-097
fits Corratec and others



GH-098
fits KTM



GH-099
fits KTM



GH-100
fits various brands



GH-101
fits various brands



GH-102
fits various brands



GH-103
fits various brands



GH-104
fits various brands



GH-105
fits various brands



GH-106
fits various brands



GH-107
fits various brands



GH-108
fits Cannondale



GH-109
fits Cannondale



GH-110
fits Giant



GH-111
fits Trek



GH-112
fits Trek



GH-113
fits Trek and others



GH-114
fits various brands



GH-115
fits various brands



GH-116
fits various brands



GH-117
fits various brands



GH-118
fits various brands



GH-119
fits various brands



GH-120
fits Scott



GH-121
fits various brands



GH-122
fits various brands



GH-123
fits various brands



GH-124
fits various brands



GH-125
fits Cannondale



GH-126
fits various brands



GH-127
fits various brands



GH-128
fits various brands



GH-129
fits various brands



GH-130
fits various brands



GH-131
fits various brands



GH-132
fits Felt and others



GH-133
fits various brands



GH-134
fits Giant



GH-135
fits Giant



GH-136
fits Giant



GH-137
fits Trek



GH-138
fits Trek



GH-139
fits Trek



GH-140
fits Specialized



GH-141
fits Specialized



GH-142
fits Specialized



GH-143
fits Specialized



GH-144
fits GT



GH-145
fits various brands



GH-146
fits various brands



GH-147
fits Cervelo, Eddy Merckx



GH-148
fits Cannondale



GH-149
fits Cannondale



GH-150
fits Cannondale



GH-151
fits Cannondale



GH-152
fits Eddy Merckx



GH-153
fits various brands



GH-154
fits various brands



GH-155
fits Orbea



GH-156
fits Scott



GH-157
fits Scott



GH-158
fits Cervelo



GH-159
fits Specialized



GH-160
fits Cannondale



GH-161
fits Trek



GH-162
fits Lapierre, Koga



GH-163
fits Scott



GH-164
fits Cube



GH-165
fits Cube



GH-166
fits Specialized



GH-167
fits Lapierre, Ghost



GH-168
fits Lapierre



GH-169
fits Ghost



GH-170
fits Ghost



GH-171
fits Ghost



GH-172
fits Ghost



GH-173
fits Ghost, Koga



GH-174
fits Ghost, Koga



GH-175
fits Cube



GH-176
fits Cube



GH-177
fits Cube



GH-178
fits Bergamont



GH-179
fits Stevens



GH-180
fits Stevens, Kuota



GH-181
fits Scott



GH-182
fits Scott



GH-183
fits Giant



GH-184
fits Giant



GH-185
fits Giant



GH-186
fits Giant



GH-187
fits various brands



GH-188
fits Trek



GH-189
fits Trek



GH-190
fits Trek



GH-191
fits Giant



GH-192
fits Cannondale



GH-199
fits KTM



GH-200
fits various brands



GH-201
fits Cube



GH-202
fits various brands



GH-203
fits Stevens, BMC



GH-204
fits Focus



GH-205
fits Fuji



GH-206
fits Cannondale



GH-207
fits Cervelo



GH-208
fits Colnago



GH-209
fits Willer and others



GH-210
fits Bulls and others



GH-211
fits BH and others



GH-212
fits Scott



GH-213
fits various brands



GH-214
fits Focus



GH-215
fits Focus



GH-216
fits Focus



GH-217
fits Scott



GH-218
fits Lapierre



GH-219
fits various brands



GH-220
fits various brands



GH-221
fits Lapierre



GH-222
fits Lapierre



GH-223
fits Lapierre



GH-224
fits Haibike



GH-225
fits Trek



GH-226
fits BMC



GH-227
fits Bergamont



GH-228
fits Fuji



GH-229
fits Focus and others



GH-230
fits BMC



GH-231
fits Pinarello



GH-232
fits Felt



GH-233
fits Giant



GH-234
fits Willer



GH-235
fits Giant



GH-236
fits Ghost



GH-237
fits BMC



GH-238
fits various brands



GH-239
fits various brands



GH-240
fits various brands



GH-241
fits various brands



GH-242
fits various brands



GH-243
fits BH



GH-244
fits various brands



GH-245
fits various brands



GH-246
fits KTM



GH-247
fits KTM



GH-248
fits KTM



GH-249
fits Bulls



GH-250
fits Bulls



GH-251
fits Bulls



GH-252
fits Bulls



GH-253
fits Bulls



GH-254
fits Bulls



GH-255
fits Bulls



GH-256
fits Orbea



GH-257
fits Cube



GH-258
fits Stevens, Corratec



GH-259
fits Giant



GH-260
fits Cannondale



GH-261
fits Giant

Or **Organic** compound is specially formulated to produce excellent all around performance, perfect for everyday use.

Sin **Sintered** compound is designed to produce consistent performance in all condition, offer high durability and high resistance to contamination by mud, water, sand and grit.

- *** With spring
- A** AVID
- C** CAMPAGNOLO
- C** CLARKS
- F** FORMULA
- G** GIANT
- H** HAYES
- H** HOPE
- M** MAGURA
- P** PROMAX
- S** SHIMANO
- S** SRAM
- T** TEKTRON
- Z** ZOOM

A AVID

DBP-11 **Or**
DBP-11S **Sin**



for AVID Juicy BB7 / Juicy Ultimate and PROMAX DSK-950

A AVID

DBP-34 **Or**
DBP-34S **Sin**



for AVID Code

A AVID

DBP-38 **Or**
DBP-38S **Sin**



for AVID BB5

A AVID

DBP-44 **Or**
DBP-44S **Sin**



for AVID Elixir / DB and SRAM XX / XO series

A AVID

DBP-57 **Or**
DBP-57S **Sin**



for AVID XO trail and SRAM GUIDE

A AVID

DBP-63 **Or**
DBP-63S **Sin**



for AVID DB1 / DB3

C CAMPAGNOLO

DBP-67 **Or**



for CAMPAGNOLO

C CLARKS

DBP-62 **Or**



for CLARKS CMB-8

F FORMULA

DBP-07 **Or**



for FORMULA hydraulic calipers

F FORMULA

DBP-16 **Or**
DBP-16S **Sin**



for FORMULA B4 Team / Pro / SL & 4Racing calipers

F FORMULA

DBP-31 **Or**
DBP-31S **Sin**



for FORMULA Oro calipers

F FORMULA

DBP-42 **Or**
DBP-42S **Sin**



for FORMULA Mega

F FORMULA

DBP-50 **Or**



for FORMULA Activa / MD1 mechanical calipers

G GIANT

DBP-21 **Or**



for GIANT MPH 2 / 3 calipers

G GIANT

DBP-51 **Or**



for GIANT MPH 1 calipers

H HAYES

DBP-01 **Or**
DBP-01S **Sin**



for HAYES HFx and PROMAX hydraulic calipers

H HAYES

DBP-26 **Or**
DBP-26S **Sin**



for HAYES Sole / MX2 / MX3

H HAYES

DBP-37 **Or**
DBP-37S **Sin**



for HAYES El Camino calipers

H HAYES

DBP-40 **Or**
DBP-40S **Sin**



for HAYES Stroker Ryde

H HAYES

DBP-41 **Or**
DBP-41S **Sin**



for HAYES Stroker Trial

H HAYES

DBP-45 **Or**
DBP-45S **Sin**



for HAYES Ace

H HOPE

DBP-05 **Or**
DBP-05S **Sin**



for HOPE open/closed 2-piston calipers Pro / Sport

H HOPE

DBP-20 **Or**
DBP-20S **Sin**



for HOPE Mini calipers

H HOPE

DBP-22 **Or**
DBP-22S **Sin**



for HOPE M4 / DH4 / E4 calipers

H HOPE

DBP-24 **Or**



for HOPE XC4

H HOPE
DBP-28 Or
DBP-28S Sin *



for HOPE Mono 6-pot callipers

H HOPE
DBP-29 Or
DBP-29S Sin *



for HOPE Mono mini callipers

H HOPE
DBP-35 Or *



for HOPE Mono V2

H HOPE
DBP-39 Or



for HOPE Mono trial

H HOPE
DBP-48 Or
DBP-48S Sin *



for HOPE X2

H HOPE
DBP-58 Or
DBP-58S Sin *



for HOPE V4

H HOPE
DBP-59 Or
DBP-59S Sin *



for HOPE E4

M MAGURA
DBP-04 Or
DBP-04S Sin



for MAGURA Clara 2000 / Louise 98-01 callipers

M MAGURA
DBP-12 Or
DBP-12S Sin



for MAGURA Julie callipers

M MAGURA
DBP-14 Or
DBP-14S Sin



for MAGURA Clara 2001-2 / Louise 2002/Louise FR callipers

M MAGURA
DBP-18 Or *



for MAGURA Gustav M callipers

M MAGURA
DBP-19 Or
DBP-19S Sin



for MAGURA Marta / SL callipers

M MAGURA
DBP-36 Or
DBP-36S Sin



for MAGURA Louise 2007 / Louise Carbon 2008

M MAGURA
DBP-55 Or
DBP-55S Sin



for MAGURA MT2/ MT4/ MT6/ MT8

M MAGURA
DBP-60 Or
DBP-60S Sin



for MAGURA MT5/MT7

M MAGURA
DBP-65 Or
DBP-65S Sin



for MAGURA MT5 (2015-)

P PROMAX
DBP-30 Or



for PROMAX DSK-400 / 601J / X-nine

S SHIMANO
DBP-09 Or
DBP-09S Sin *



for SHIMANO Deore XT M755 / 756 / GRIMECA System 8.0+12 / SRAM 9.0 / HOPE Mono M4 callipers

S SHIMANO
DBP-10 Or
DBP-10S Sin *



for SHIMANO Deore M515/M475/ C501/C601 mechanical/M525 hydraulic callipers

S SHIMANO
DBP-15 Or
DBP-15S Sin *



for SHIMANO Deore M555 hydraulic / C900 / 901 Nexave callipers

S SHIMANO
DBP-17 Or
DBP-17S Sin *



for SHIMANO XTR M965/966/Saint M800/Hone M-601/Deore XT M765/ LX M858 callipers

S SHIMANO
DBP-43 Or
DBP-43S Sin *



for SHIMANO Saint

S SHIMANO
DBP-52 Or
DBP-52S Sin *



for SHIMANO XTR 2011-2016

S SHIMANO
DBP-64 Or
DBP-64S Sin *



for SHIMANO Ultegra

S SRAM **NEW**
DBP-54 Or
DBP-54S Sin



for SRAM Red / Level

T TEKTRO
DBP-08 Or
DBP-08S Sin



for TEKTRO mechanical callipers

T TEKTRO
DBP-27 Or
DBP-27S Sin *



for TEKTRO Volans / Auriga / E-Sub

T TEKTRO
DBP-46 Or



for TEKTRO IOX

T TEKTRO
DBP-56 Or
DBP-56S Sin



for TEKTRO Lyra

Z ZOOM **NEW**
DBP-23 Or



for ZOOM

Disc Brake Pads E-Bike

Substitute your standard disc brake pad of your E-bike with a special UNION E-bike pad
 The E-bike pad has a special compound with a high percentage of KEVLAR®
 The life span will be 50% longer than standard organic versions of these pads
 No brake power fading due to overheated brake pads
 The E-bike pads offer consistent and smooth braking power, also at higher speed

DBP-10E
for Shimano Deore

NEW



DBP-43E
for Shimano Saint

NEW



DBP-52E
for Shimano XTR 2011-

NEW



DBP-61E
for Tektro Dorado

NEW



DBP-57E
for AVID XO / SRAM Guide

NEW



DBP-53E
for AVID code / SRAM

NEW



DBP-55E
for Magura MT-2/4/6/8

NEW



DBP-60E
for Magura MT-5/7

NEW



DBP-65E
for Magura MT-5 (2015-)

NEW



Disc Brake Rotors

Special high grade stainless steel,
 excellent wet/dry performance, disc wear and heat dissipation



1 Wavy	DBR-02-160	ø160mm	Stainless Steel	6 bolts
	DBR-02-180	ø180mm		
	DBR-02-203	ø203mm		
2 WindCutter	DBR-03-160	ø160mm		
	DBR-03-180	ø180mm		
	DBR-03-203	ø203mm		

Disc Brake Pads with Cooling Fins

The cooling fin helps to prevent heat build-up by improving the heat dissipation and reduce the brake-pad surface temperature by 50°C
 No brake power fading due to overheated brake pads
 Exactly the same specifications as originally supplied, ensuring consistent performance
 Brake pad compound with high friction coefficient that offers consistent and smooth braking power

DBP-44C-SET

for AVID DB / Elixir



DBP-42C-SET

for FORMULA Mega One



DBP-55C-SET

for MAGURA MT2 / MT4 / MT6 / MT8



DBP-17C-SET

for SHIMANO XTR -2010



DBP-52C-SET

for SHIMANO XTR 2011-2016



DBP-64C-SET

for SHIMANO Ultegra



ASSORTMENT BOX TOP-20

CONTENT :	DBP-11	AVID	DBP-12	MAGURA
	DBP-38	AVID	DBP-14	MAGURA
	DBP-44	AVID	DBP-36	MAGURA
	DBP-57	AVID	DBP-55	MAGURA
	DBP-31	FORMULA	DBP-10	SHIMANO
	DBP-42	FORMULA	DBP-17	SHIMANO
	DBP-01	HAYES	DBP-52	SHIMANO
	DBP-26	HAYES	DBP-64	SHIMANO
	DBP-40	HAYES	DBP-08	TEKTRO
	DBP-04	MAGURA	DBP-46	TEKTRO

WORKSHOP BOXES (25 PRS.)

Packed per 25 sets incl. spring and pin
 Boxes are stackable
 8 different models available

DBP-10 bulk box	DBP-44 bulk box
DBP-11 bulk box	DBP-52 bulk box
DBP-17 bulk box	DBP-55 bulk box
DBP-42 bulk box	DBP-64 bulk box



BS-300

- V-Brake brake shoes, cartridge
- Aluminium pad holder
- Silver finish
- Length: 72mm
- Also available in black finish



BS-301

- Pads & pins only, for BS-300
- Length: 72mm



BS-320

- V-Brake brake shoes, cartridge
- Aluminium pad holder
- Silver finish
- Triple color pad
- Length: 72mm



BS-321

- Pads & pins only, for BS-320
- Length: 72mm



BS-400

- V-Brake brake shoes
- Non-symmetric post
- Length: 72mm



BS-420

- V-Brake brake shoes
- Symmetric post
- Length: 70mm



BS-440

- V-Brake brake shoes
- Non-symmetric post
- Length: 80mm
- Specially designed for E-Bike



BS-460

- V-Brake brake shoes
- Symmetric post
- Length: 75mm
- Specially designed for E-Bike



BS-500

- Cantilever brake shoes
- Hardened Aluminium post (non-symmetric)
- Length: 72mm



BS-520

- Cantilever brake shoes
- Hardened Aluminium post (symmetric)
- Length: 70mm



BS-560

- Cantilever brake shoes
- Symmetric post
- Length: 55mm



BS-100

- Caliper brake shoes
- X-pattern
- Length: 40mm



BS-600

- Road racing brake shoes, cartridge
- Shimano type
- Aluminium pad holder
- Silver finish
- Length: 55mm
- Also available in black finish



BS-601

- Pads only, for BS-600
- For Aluminium rims
- Length: 55mm



BS-620

- Road racing brake shoes
- Universal type
- Length: 50mm



BS-640

- Road racing brake shoes, cartridge
- Campagnolo Record & Chorus -2000
- Aluminium pad holder
- Silver finish
- Length: 55mm



BS-641

- Pads only, for BS-640
- For Aluminium rims
- Length: 55mm



BS-660

- Road racing brake shoes, cartridge
- Campagnolo Record & Chorus -2000
- Aluminium pad holder
- Carbon anodized finish
- Length: 55mm



BS-661

- Pads only, for BS-660
- For Aluminium rims
- Length: 55mm



BS-801

- For Magura hydraulic rim brake
- Replacement pads only
- Length: 50mm



BS-801E

- For Magura hydraulic rim brake
- Replacement pads only
- Length: 50mm
- Specially designed for E-Bike

WORKSHOP BOXES

- Packed per 25 sets in a sturdy plastic box
- Boxes are stackable
- 6 different models available in a workshop box:

BS-300 bulk box
BS-400 bulk box
BS-420 bulk box

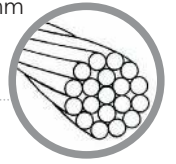
BS-500 bulk box
BS-520 bulk box
BS-560 bulk box





CW-100
 Brake cable, 1.6mm,
 galvanized steel,
 19 strands, length 2250mm

CW-120
 Brake cable, 1.6mm,
 stainless steel, 19 strands,
 length 2250mm



CW-200
 Shift/derailleur cable,
 1.2mm, galvanized steel,
 19 strands, length 2100mm

CW-220
 Shift/derailleur cable,
 1.2mm, stainless steel,
 19 strands, length 2100mm



CW-300
 Brake outer casing, universal
 coiled core, black, dia. 5mm,
 length 1700mm

CW-310
 Brake outer casing, universal
 coiled core, grey, dia. 5mm,
 length 1700mm



CW-400
 Complete brake cable set,
 galvanized steel (2250mm),
 including outer casing and parts

CW-420
 Complete brake cable set,
 stainless steel (2250mm),
 including outer casing and parts



CW-350
 Shift/derailleur casing,
 Shimano-type stranded core,
 black, dia. 4mm,
 length 2000mm

CW-360
 Shift/derailleur casing,
 Shimano-type stranded core,
 grey, dia. 4mm,
 length 2000mm



CW-440
 Complete shift/derailleur cable set, galvanized steel
 (2100mm), including outer casing
 (Shimano-type) and parts

CW-460
 Complete shift/derailleur cable set, stainless steel
 (2100mm), including outer casing (Shimano-type)
 and parts



CW-900
 Brake ferrules
 200 pcs. in a dispenser bottle



CW-910
 Shift ferrules
 150 pcs. in dispenser bottle










CW-920
 Brake end caps
 500 pcs. in dispenser bottle



CW-930
 Shift end caps
 500 pcs. in dispenser bottle



CW-430		Complete drumbrake cable set, galvanized steel (2250mm) Gazelle-type Including outer casing and all parts
CW-434		Complete drumbrake cable set, galvanized steel (2250mm) Universal type with adjusting screw Including outer casing and all parts
CW-438		Complete drumbrake cable set, galvanized steel (2250mm) Batavus-type with hook Including outer casing and all parts
CW-470		Complete shift cable set, galvanized steel (2500mm) SRAM / Sachs Torpedo Including outer casing and all parts
CW-480		Complete shift cable set, galvanized steel (2400mm) Sturmey-Archer old model with hook Including outer casing and all part
CW-485		Complete shift cable set, galvanized Sturmey-Archer new model Pre-assembled with outer casing and all parts
CW-490		Complete shift cable set, galvanized Sturmey-Archer Linea/Nimbus Pre-assembled with outer casing and all parts

CW-600

Brake cable, 1.6mm, galvanized steel, 19 strands, with barrel (7x6)
100 pcs. of 1800mm, in workshop box

CW-620

Brake cable, 1.6mm, stainless steel, 19 strands, with barrel (7x6)
100 pcs. of 1800mm, in workshop box

CW-625

Brake cable, 1.6mm, stainless steel, 19 strands, with pear (10x6)
100 pcs. of 1800mm, in workshop box

CW-700

Shift/derailleur cable, 1.2mm, galvanized steel, 19 strands, with barrel (4x4) 100 pcs. of 2100mm, in workshop box

CW-720

Shift/derailleur cable, 1.2mm, stainless steel, 19 strands, with barrel (4x4) 100 pcs. of 2100mm, in workshop box



CW-590

V-Brake guide pipe, 90 degrees
With rubber boot

CW-596

V-Brake guide pipe, flexible
With rubber boot

CW-595

V-Brake guide pipe, 135 degrees
With rubber boot



CW-800

Brake outer casing, universal coiled core, dia. 5mm (CW-300) 30 metres in workshop box, black

CW-810

Brake outer casing, universal coiled core, dia. 5mm (CW-310) 30 metres in workshop box, grey

CW-850

Shift/derailleur casing, Shimano-type stranded core, dia. 4mm (CW-350) 30 metres in workshop box, black

CW-860

Shift/derailleur casing, Shimano-type stranded core, dia. 4mm (CW-360) 30 metres in workshop box, grey

WBC-10

TIG-welded

Water Bottle Cage

- Aluminium #6061-T4
- 154mm length, for ~ Ø74 mm
- Ø 6.2mm Alum. wire cage
- Colors: Black or silver
- Weight: 63 gram



WBC-20

TIG-welded

Water Bottle Cage

- Aluminium #6061-T4
- 153mm length, for ~ Ø74 mm
- Ø 6.2mm Alum. wire cage
- Colors: Black or silver
- Weight: 68 gram



WBC-25

Aluminium Plate

Water Bottle Cage

- One piece aluminium type, in welding free design
- 120 mm length, for ~ Ø74 mm
- Colors: Black or white
- Weight: 49 gram



WBC-30

Aluminium Plate

Water Bottle Cage

- Ultra-light design by using aluminium #5052, 1.2 mm thick
- Rubber cap for more flexibility
- 145 mm length, for ~ Ø74 mm
- Colors: Black or white
- Weight: 26 gram



WBC-40

PC Water Bottle Cage

- Polycarbonate (PC) material
- Extended and open back side design for more flexibility
- 145 mm length, for ~ Ø74 mm
- Colors: Black or white
- Weight: 28 gram



WBC-50

Aluminium Plate

Water Bottle Cage

- Welding free design
- Take the bottle from the side, for narrow bike frames and for left or right hand users
- 130 mm length, for ~ Ø74 mm
- Color: Black
- Weight: 43 gram



BP-01

Aluminium Mini Pump with T-handle

- Aluminium #6063 barrel
- T-handle for easier inflating
- High efficient performance
- Reversible Presta and Schrader
- Max. pressure 120 PSI
- Frame-bracket included



BP-02

Pocket Aluminium Pump

- 7" Micro size for easy storage
- 2-Component soft grip handle
- Aluminium #6063 barrel
- Reversible Presta and Schrader
- Max. pressure 120 PSI
- Frame-bracket included



BP-01G

Aluminium Mini Pump with T-handle & Gauge

- Like BP-01, with additional precise in-line gauge



BP-02G

Pocket Aluminium Pump with In-Line Gauge

- Like BP-02, with additional precise in-line gauge
- With aluminium lever and aluminium valve cap



BP-03

Aluminium High-Pressure and High-Volume Mini Pump

- Lockable in high-pressure / high-volume mode, for easy inflating
- With aluminium lever and aluminium valve cap
- Aluminium #6063 barrel
- 2-Component soft grip handle
- Reversible Presta and Schrader
- Max. pressure 120 PSI



BP-11F

Floor Pump with durable Steel Barrel & Base

- Ergonomic 2-Component soft grip handle
- Reversible Presta and Schrader (twist & lock)
- Max. pressure 160 PSI
- With precise gauge



BP-C01

CO₂ Pump with Cartridge Housing

- Fits 16 grams cartridges with and without thread
- Fits with Presta and Schrader valves
- 1 x 16 grams cartridge included



BP-C16

CO₂ Cartridges 16 Grams with Thread

- 2 x 16 grams cartridges
- For use in CO₂ pumps, like BP-C01
- Universal cartridge, fits all CO₂ pumps



BP-12F

High-End Aluminium Floor Pump

- Aluminium die casted joining flange for barrel and base offers extra durability
- Ergonomic 2-Component soft grip handle
- Clever valve system fits both, Presta and Schrader directly
- Max. pressure 160 PSI
- Top mounted gauge for easy reading



GP-01

- Black + grey
- Length: 128mm
with cutting line at 85mm



GP-02

- Black + grey
- Length: 128mm
with cutting line at 90mm



GP-02L

- Black + grey
- Length: 128mm
with black lock-on ring
also available in long/ short
combination 128mm + 100mm (GP-02LS)



GP-02LS



GP-03

- Black
- Length: 130mm
with cutting line at 95mm



GP-03L

- Black
- Length: 125mm
with black lock-on ring
also available in long/ short
combination 125mm + 90mm (GP-03LS)



GP-04

- Black
- Length: 128mm



GP-05

- Black + grey + dark grey
- Length: 130mm
with cutting line at 95mm



GP-06

- Black + gray
- Length: 125mm



GP-07

- Black + grey
- Length: 130mm
with cutting line at 95mm



GP-20 / GP-21

- Brown leather
- Length: 135mm
with ti-coloured lock-on ring
also available in long/short
combination 135mm + 97mm (GP-21)
also available in black leather 135mm (GP-22)
and 135mm + 97mm (GP-23)



GP-27 / GP-28

- Black leather
- Length: 130mm
with black lock-on ring
also available in long/short
combination 130mm + 95mm (GP-28)
also available in brown leather 130mm (GP-25)
and 130mm + 95mm (GP-26)



MG-01

- MTB/ATB 24"-26" front and rear fender
- Clips on and off quickly
- Incl. all necessary hardware



MG-03

- Fender for downtube of MTB 22"-26"
- Assembly by 2 anti-slip rubber woven straps



MG-04F

- Road bike 700C and 26" front fender
- Light weight design
- Quick fit by 2 long rubber straps



MG-04R

- Road bike 700C and 26" rear fender
- Light weight design
- Quick release system for seat post



MG-11F

- MTB 24"-26" front fender
- Suitable for suspension bikes
- Special TPR material mudflap
- Fits steering tubes from 18.5 - 25.4 mm



MG-11R

- MTB 24"-26" rear fender
- Suitable for suspension bikes
- Special TPR material mudflap
- Quick release system for seat post

BOT-01 BLACK

- Material: LDPE
- 680 ccm
- Black
- With dust lid



BOT-01 SILVER

- Material: LDPE
- 680 ccm
- Silver
- With dust lid



BOT-02 THERMO

- Material: LDPE
- 480 ccm
- Silver or black
- Foam filled compartment to keep drink cool





AH-10

- A-head adjustable 0-60 degrees
- Material: Aluminium #6061-T6, black coated
- Bar bore size 25.4mm
- Extension 90mm



AH-11

- A-head adjustable 0-60 degrees
- Material: Aluminium #6061-T6, black coated
- Bar bore size 25.4mm
- Extension 110mm



AH-12

- A-head adjustable 0-60 degrees
- Material: Aluminium #6061-T6, black coated
- Bar bore size 25.4mm
- Extension 130mm



AH-20

- A-head adjustable 0-60 degrees
- Material: Aluminium #6061-T6, black coated
- Bar bore size 31.8mm
- Extension 95mm



AH-21

- A-head adjustable 0-60 degrees
- Material: Aluminium #6061-T6, black coated
- Bar bore size 31.8mm
- Extension 110mm



AH-22

- A-head adjustable 0-60 degrees
- Material: Aluminium #6061-T6, black coated
- Bar bore size 31.8mm
- Extension 125mm



BE-10

- Bar end, one piece 3D forged
- Material: Aluminium #6061-T6, black anodized
- Length: 110mm
- Weight: 144g



BE-20

- Bar end, one piece 3D forged
- Material: Aluminium #6061-T6, black anodized
- Length: 150mm
- Weight: 134g



BE-30

- Bar end, one piece 3D forged
- Material: Aluminium #6061-T6, black anodized
- Length: 85mm
- Weight: 121g

BE-PLUG

- Plastic plugs for handlebar
- Also fits BE-20 and BE-30





HS-10

- Headset threadless 1" for road bike
- SHIS code: EC30/25.4 | EC30/26



HS-11

- Headset threadless 1 1/8" for MTB
- SHIS code: EC34/28.6 | EC34/30



HS-30

- Headset 1 1/8" integrated dimension 41.8 / 30
- SHIS code: IS42/28.6 | IS42/30



HS-35

- Headset 1 1/8" semi-integrated dimension 44 / 30
- SHIS code: ZS44/28.6 | ZS44/30



HS-40

- Headset 1 1/8" tapered integrated dimension 41.8/52.0-39.8
- SHIS code: IS42/28.6 | IS52/40



HS-45

- Headset 1 1/8" tapered semi-integrated dimension 44.0/56.0-39.8
- SHIS code: ZS44/28.6 | ZS56/40



HS-20

- Headset cap for 1" headsets
- Material: Aluminium #6061-T6, black anodized
- Size: 1" cap with 1" star nut
- Stainless steel screw



HS-21

- Headset cap for 1 1/8" headsets
- Material: Aluminium #6061-T6, black anodized
- Size: 1 1/8" cap with 1 1/8" star nut
- Stainless steel screw



BB BOTTOM BRACKET CARTRIDGE

- With high-end sealed cartridge bearings
- Steel cups and Boron-steel spindle
- Incl. 2 bolts (CrMo 12.9)
- Available in 14 lengths (from 103 up to 131.5mm)



BB-E01

BB-E02

BB-E01/E02

- External BB set threaded, Shimano compatible
- 11.2mm (E01) for road bike and 10.2mm (E02) for MTB&city



BB-E03

- External BB set threaded, SRAM compatible
- 12.5mm for road bike, MTB&city



BB-PF01

- Press fit BB for 24mm spindle Shimano
- For bracket width 86.5 / 89 / 92mm



BB-PF02

- Press fit BB for 30mm spindle SRAM / FSA
- For bracket width 68 / 73 / 86.5mm



BB-RPF01

- Press fit reducer BB set
- Convert to Shimano crank (spindle 24mm)
- For frames with BB shell width 68mm



BB-RPF02

- Press fit reducer BB set
- Convert to Shimano crank (spindle 24mm)
- For frames with BB shell width 86mm



BB-6805

- Bearing set 6805
- 37 x 25 x 7mm (2 pieces)



BB-6806

- Bearing set 6806
- 42 x 30 x 7mm (2 pieces)



BB-RE01

- Press fit reducer sleeve
- Convert to BB set with external thread
- For frames with BB shell width 68mm to 73mm



KS-10

- Kickstand for rear stay mount
- Material: Aluminium, ED black
- Adjustable 24" - 28"



KS-20

- Center mount kickstand (middle assy)
- Material: Aluminium, silver or ED black
- Adjustable 24" - 28"



KS-25

- Center mount kickstand (middle assy)
- Material: Aluminium #6061-T6, liquid coated, silver or black
- Adjustable 24" - 28"



KS-30

- Center mount double leg kickstand
- Material: Aluminium, #6061-T6, ED black
- For bike size 28"
- Foot width 195mm

KS-35

- Center mount double leg kickstand
- Material: Aluminium #6061-T6, silver or ED black
- Adjustable 24" - 28"
- Foot width 195mm



SSP-01

- Suspension seat post
- Material: Aluminium #6061-T6, silver anodized
- Length 350mm, with plain head
- Diameters 26.8mm and 27.2mm



SSP-02

- Suspension seat post
- Material: Aluminium #6061-T6, silver anodized
- Length 350mm, with ATB/micro adjust head
- Diameters 26.8mm and 27.2mm



EX-10/EX-11

- Extender for steering tube
- Material: Aluminium #6061-T6, silver anodized
- Compatible for threaded and threadless headset
- Size: 25.4 x 22.2mm and 28.6 x 25.4mm



TB-01

- Tri-bar with arm rest pads
- Material: Aluminium #6061-T6
- Powder coated black
- Weight: 640g



TB-02

- Tri-bar with clip-on arm rests
- Detachable pads
- Width & angle fully adjustable
- Material: Aluminium #6061-T6
- Black anodized
- Weight: 570g



MB-01

- Multibar for trekking bikes
- Material: Aluminium #6061-T6
- Width 570mm
- Available in matt black and polished silver



MB-02

- Foam set for Multibar
- Damping shock and vibration
- Length 400mm
- Incl. 2 handlebar plugs



RC-01

- Aluminium rear carrier
- Material: Aluminium #6061-T6
black powder coated
- Adjustable 24" - 28"
- Weight: 612g



RC-02

- Aluminium rear carrier
- Material: Aluminium #6061-T6
silver anodized
- Adjustable 24" - 28"
- Spring clamp included
- Weight: 753g



RC-03

- Aluminium rear carrier
- Material: Aluminium #6061-T6
silver powder coated
- Adjustable 26" - 28"
- Without Spring clamp
- Weight: 995g

UNION®

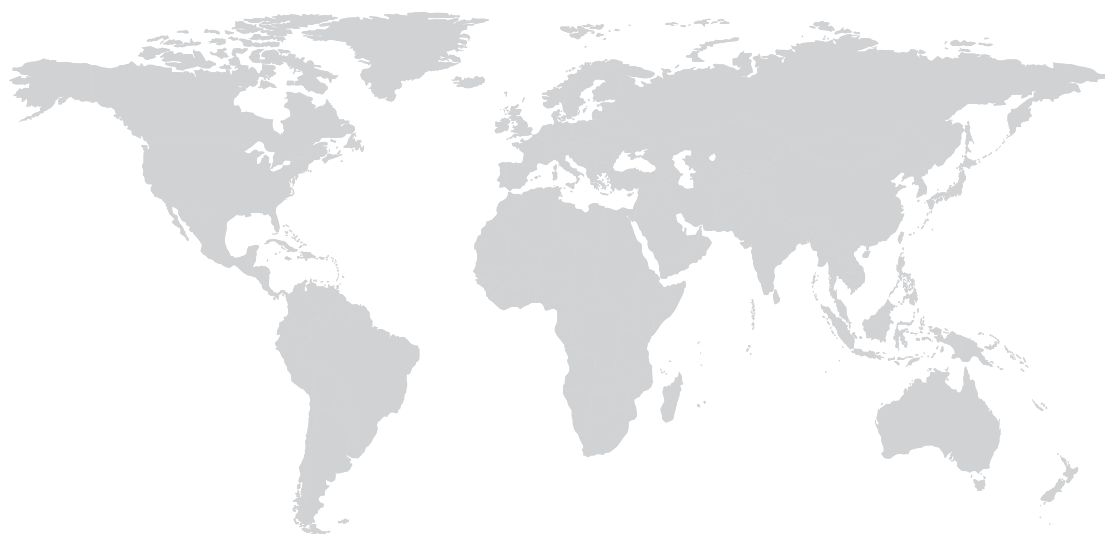
SSR Pro



xerama

BIKETOOL

Selle San Remo



MARWI®
GROUP

MARWI Taiwan Industrial Co., Ltd.

No.56, Chongyi 3rd Rd., Dajia Dist, Taichung City, Taiwan R.O.C.
Tel: +886-4-26881234 Fax: +886-4-26882141
E-mail: info@marwi.com.tw
Website: www.marwi.com.tw

MARWI Indonesia

P.T. Xerama Bicycle Industrial
Jl, Raya Curug Km. 2, Kp. Cisereh, Ds, Kadu
Jaya, Kec. Curug, Tangerang 15810, Indonesia
Tel: +62-21-5981111 +62-21-5981234
Fax: +62-21-5981570 +62-21-5980238
E-mail: info@marwi.com.tw

MARWI Europe B.V.

Corkstraat 1, 3047 AC Rotterdam, The Netherlands
Tel: +31-10-2088060 Fax: +31-10-2088069
E-mail: info@marwi.nl
Website: www.marwi-eu.com

MARWI CZ s.r.o.

Mala Velen-Jedlka 22, 40502 Decin 2, Czech Republic
Tel: +420-412-586259 Fax: +420-412-586257
E-mail: info@marwi.cz
Website: www.marwi.cz

MARWI USA Corporation

789 N. Fair Oaks Ave. Pasadena, CA 91103. USA
Tel: +1-626-538-9338
E-mail: info@marwi-usa.com