

SINGER
33K

FORM K 507.

Nov., 1904.

Supersedes Forms K 179 and K 310.

ILLUSTRATED PRICE LIST

OF

PARTS

FOR

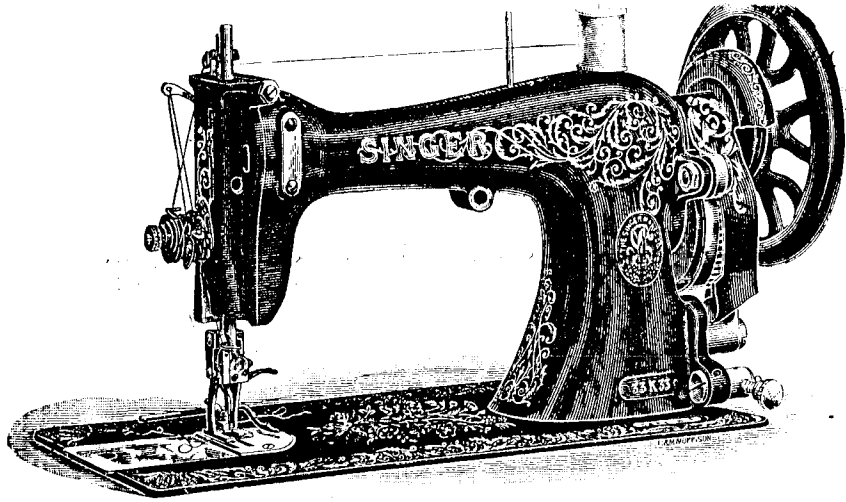
CLASS 33 K MACHINES



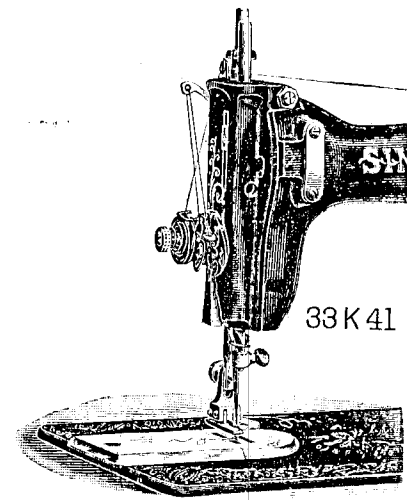
THE SINGER MANUFACTURING CO.

KILBOWIE, CLYDEBANK.

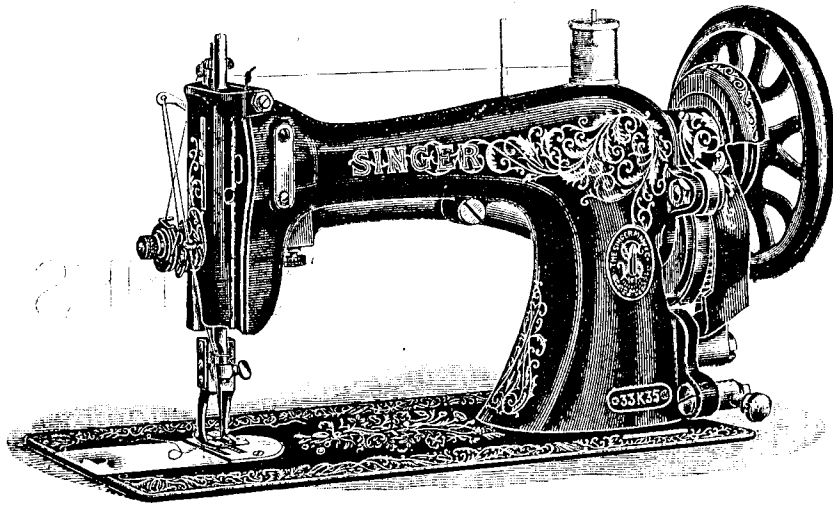
1904.



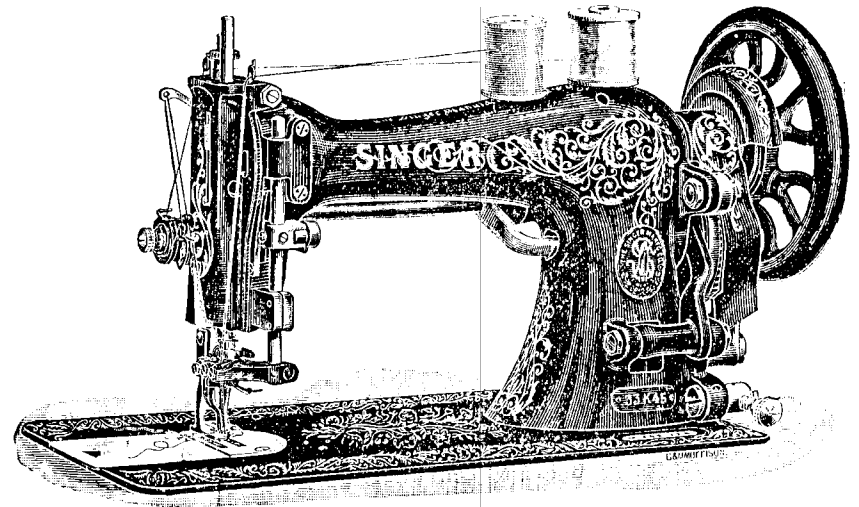
33 K 33 Machine.



33 K 41 Machine.



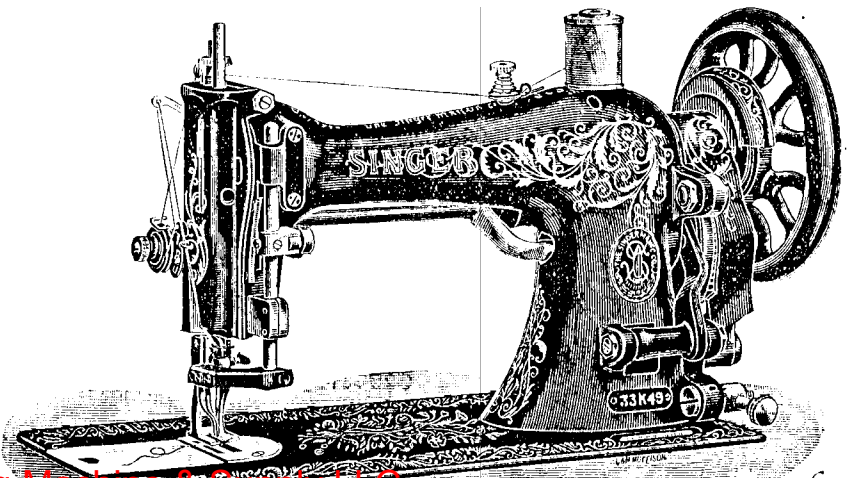
33 K 35 Machine.



33 K 45 Machine.



33 K 37 Machine.



33 K 49 Machine.

PLATE 40.

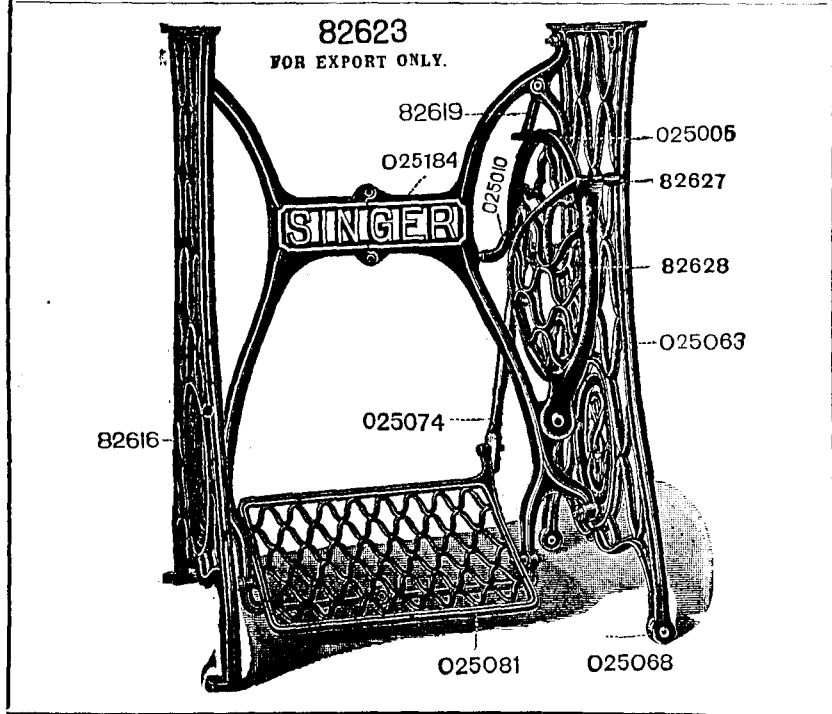
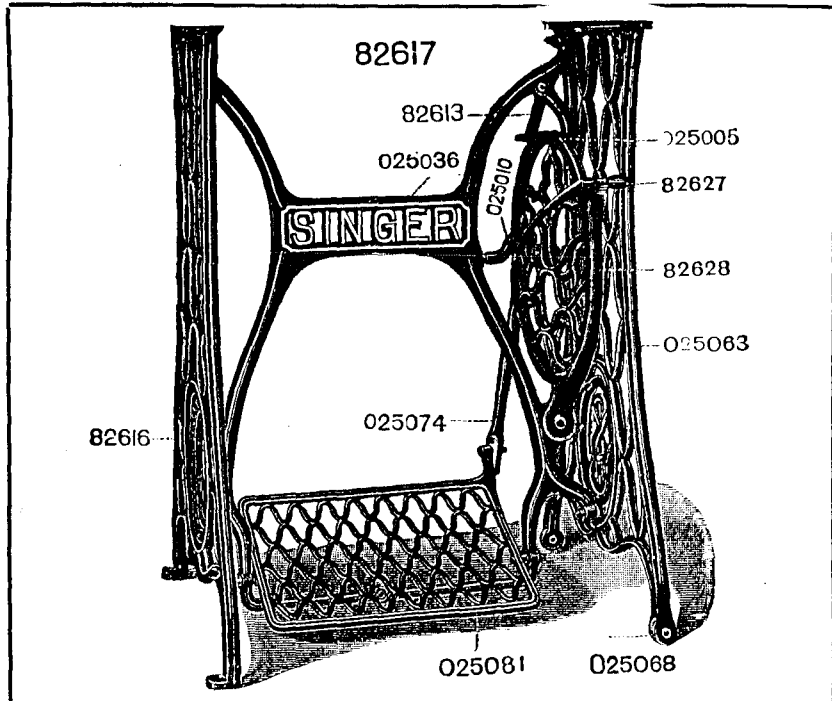


PLATE 41.

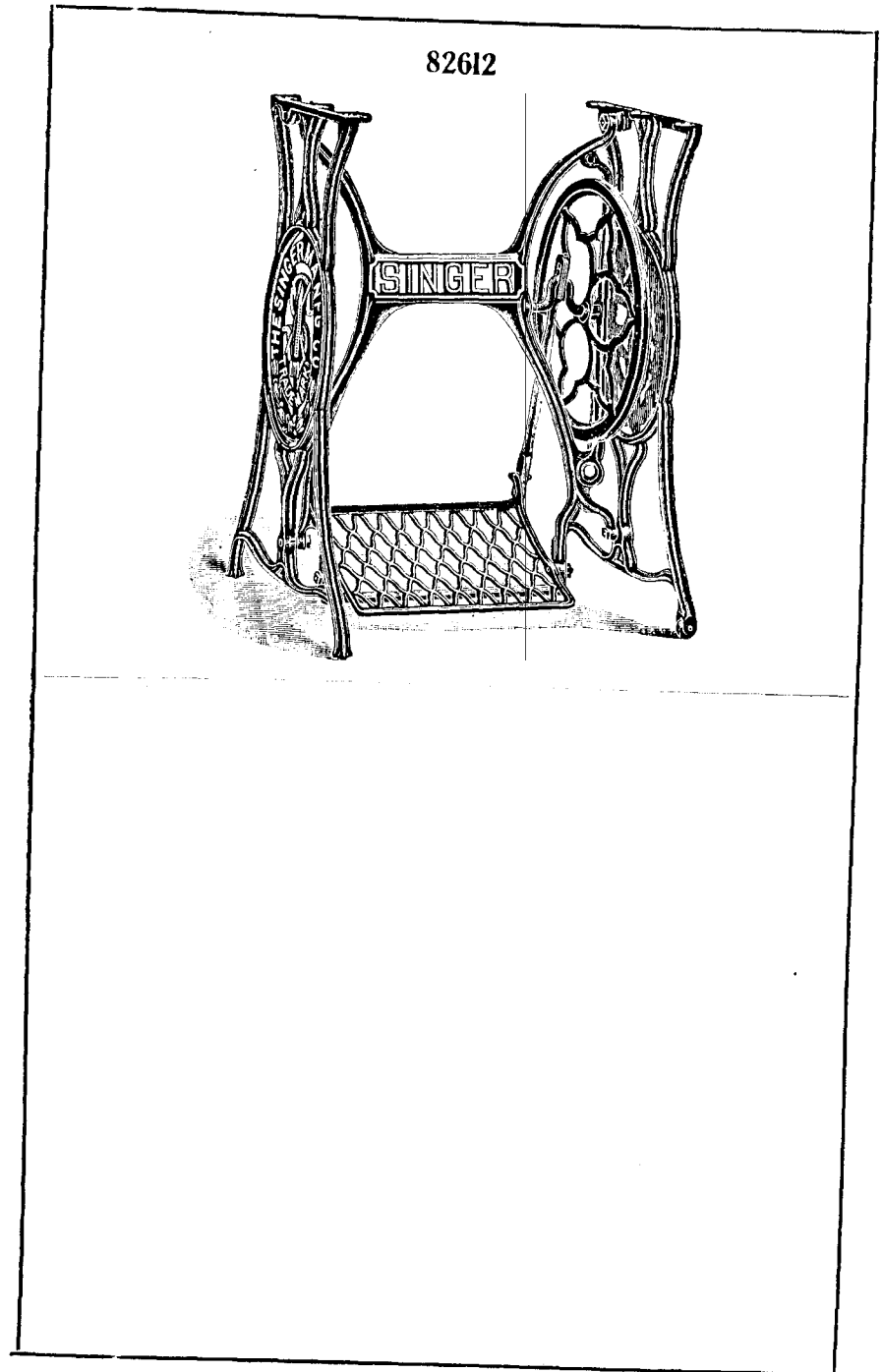


PLATE 42.

FULL SIZE.

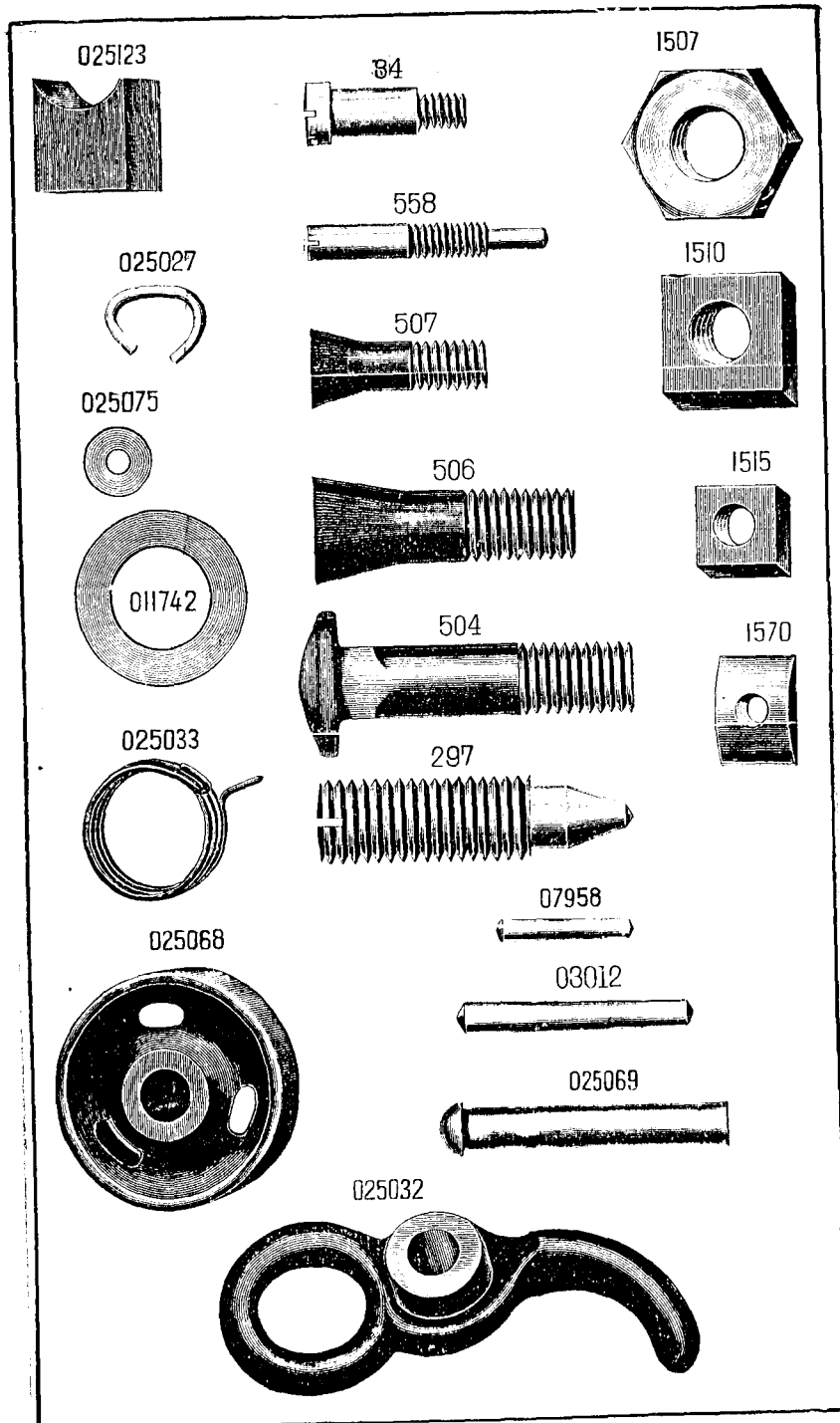


PLATE 74.

KNEE LIFTER PARTS.

HALF SIZE.

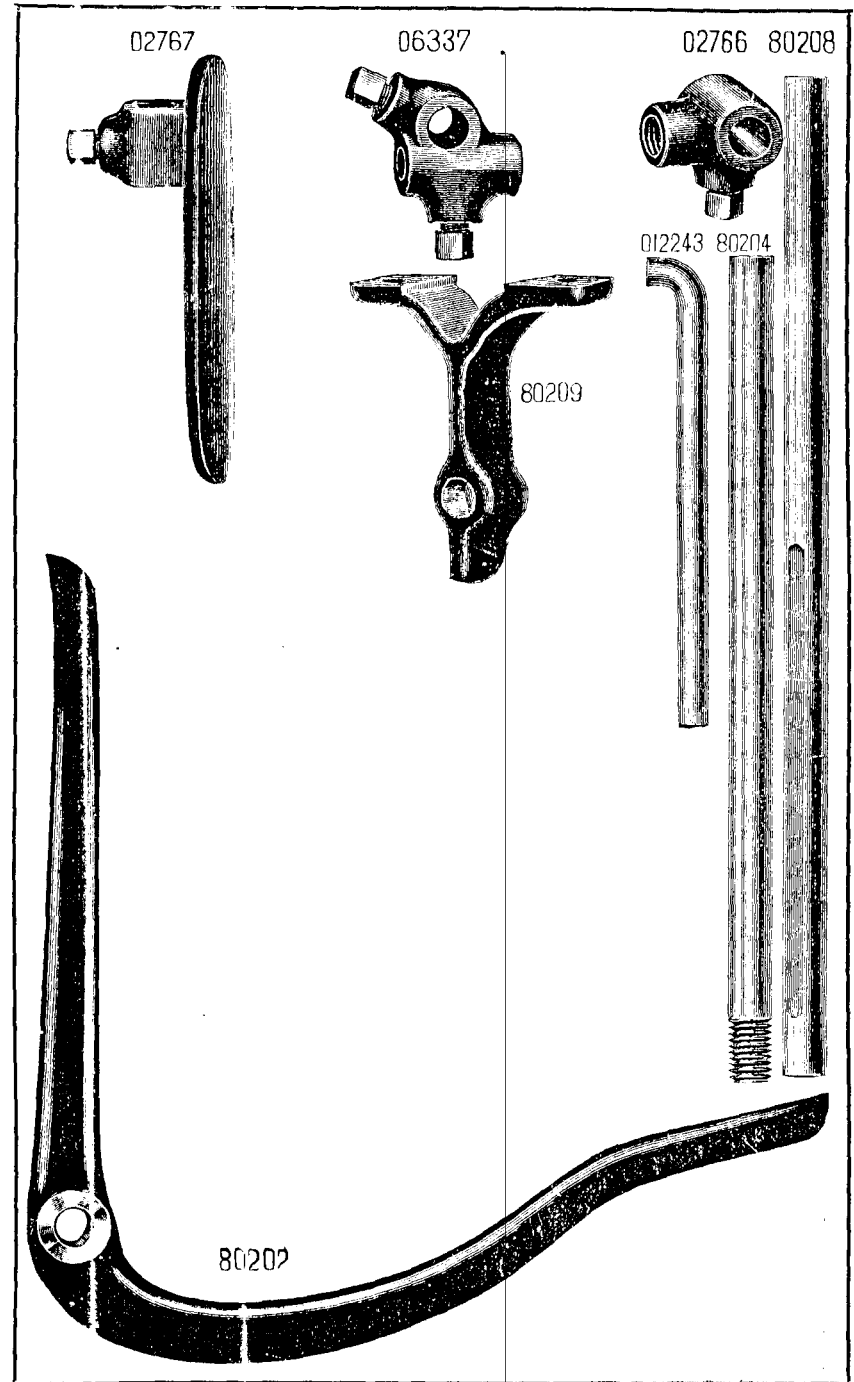


PLATE 300.

HALF SIZE.

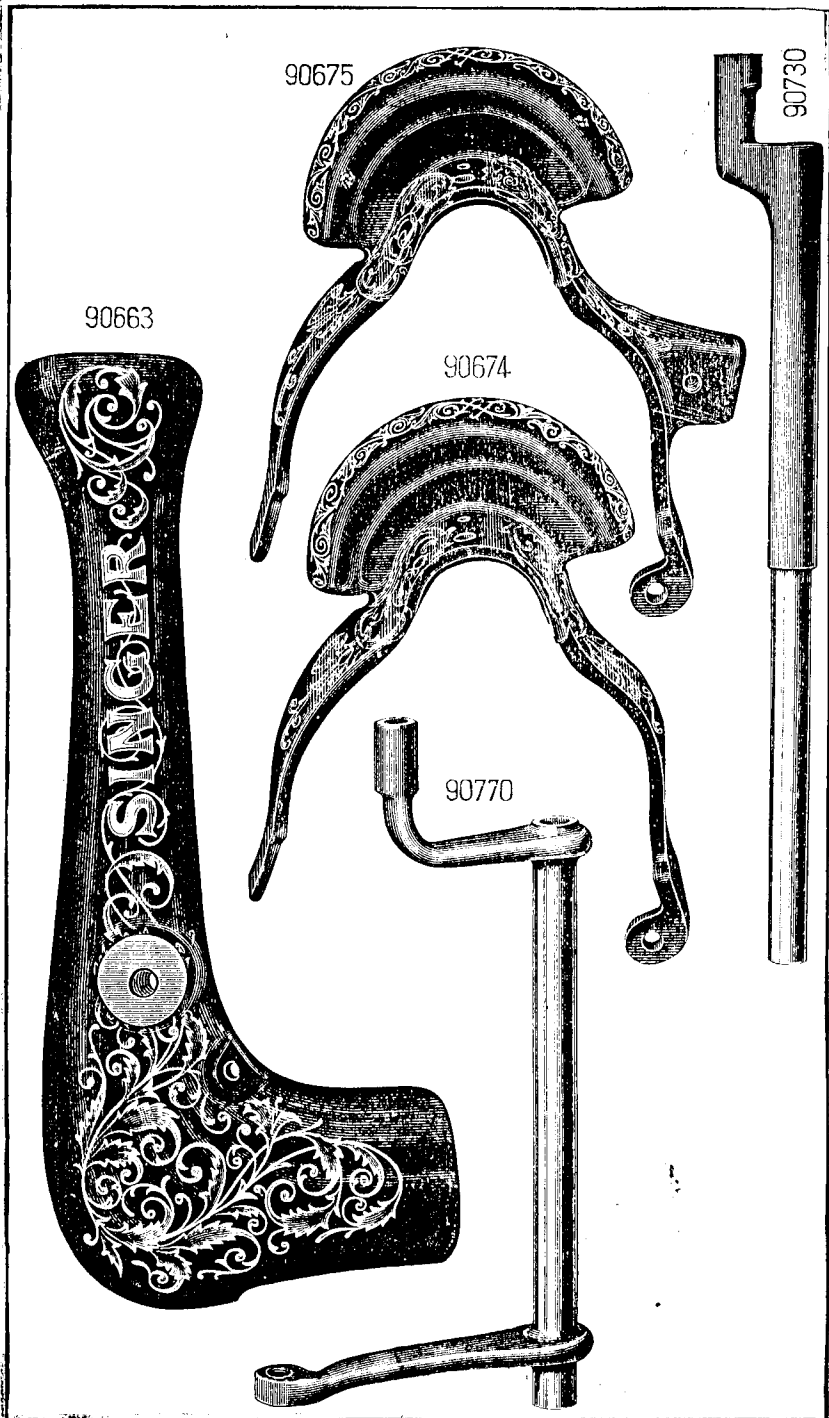


PLATE 321.

HALF SIZE.

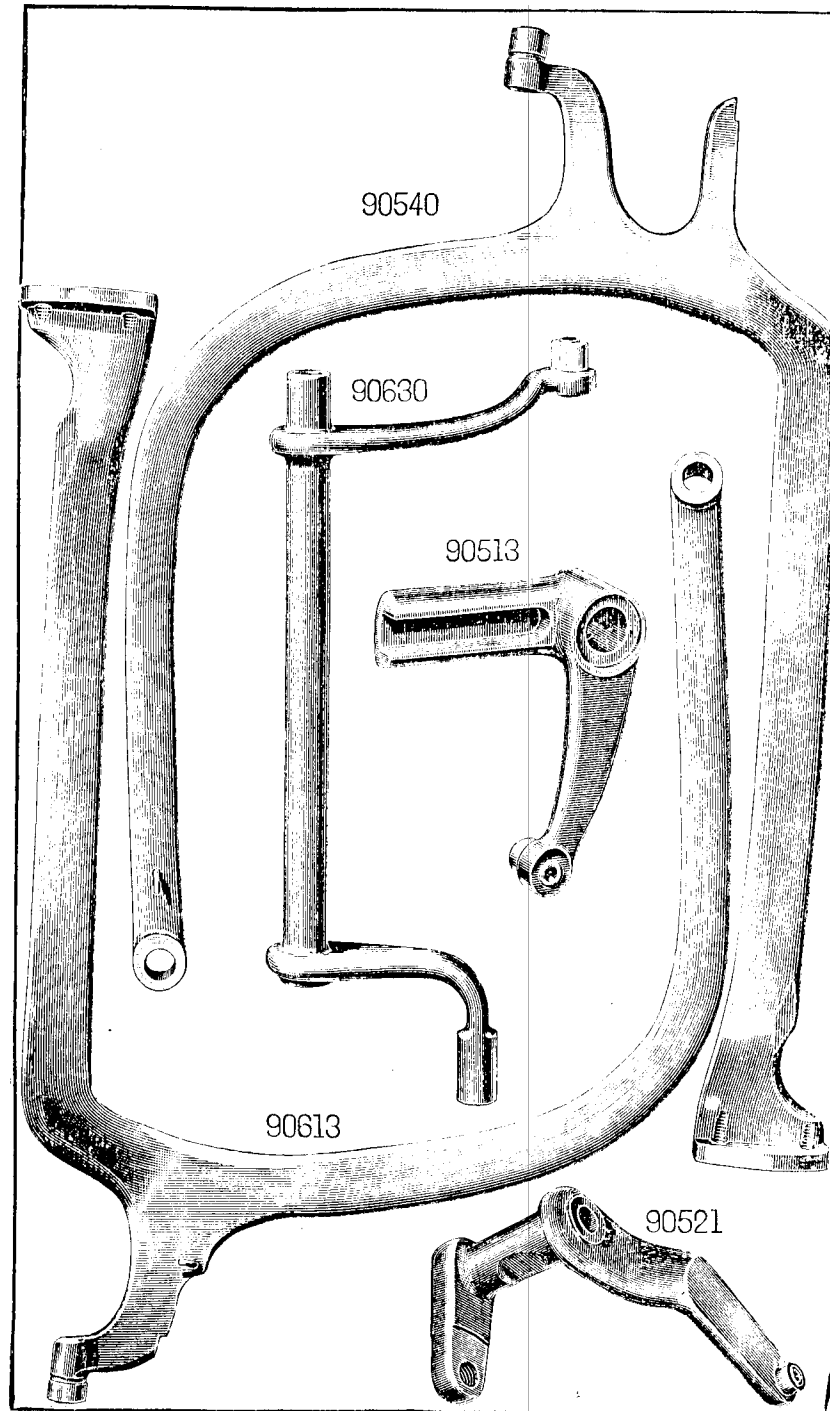


PLATE 322.

PLATE 323.

HALF SIZE

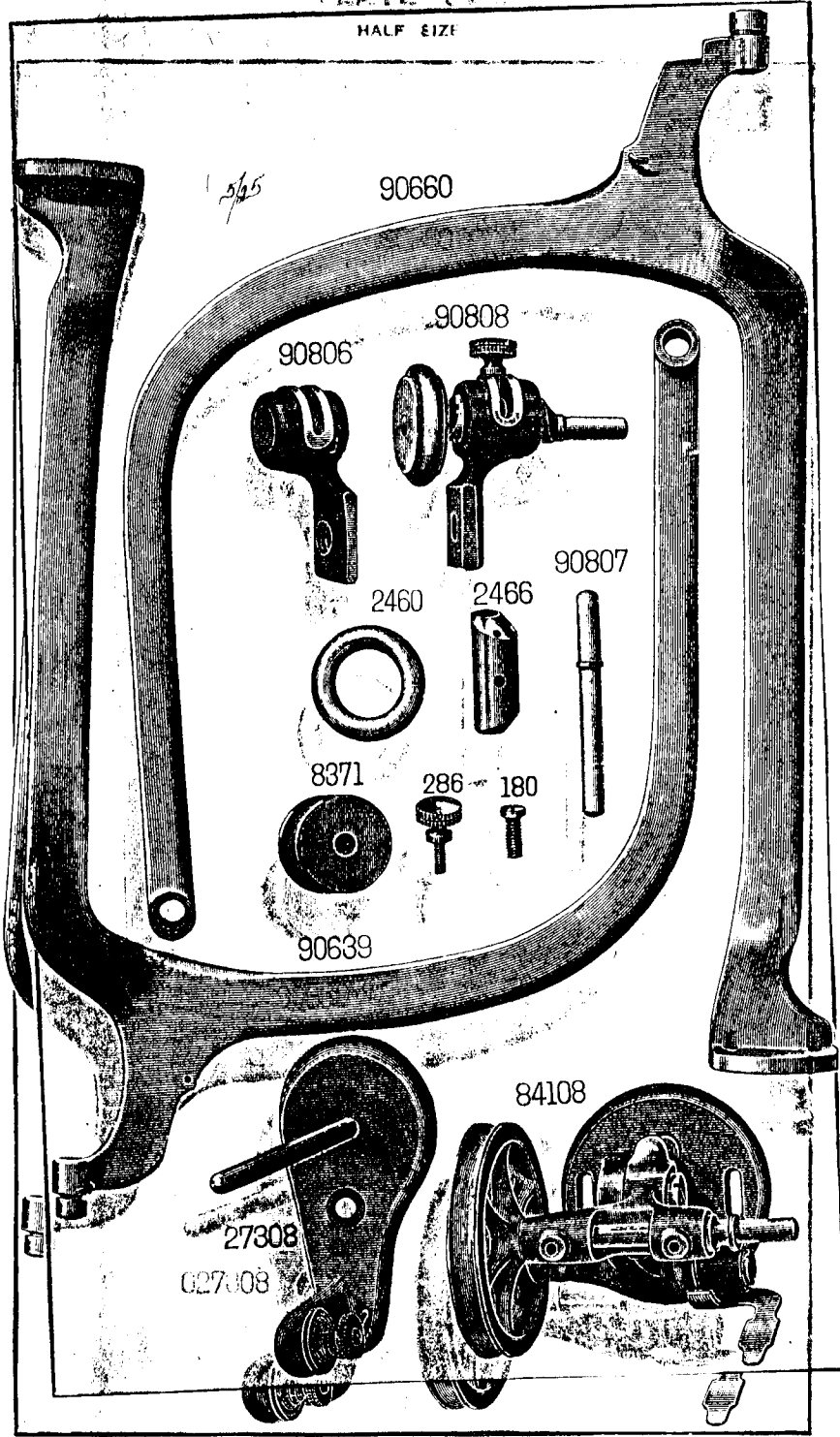


PLATE 323.

HALF SIZE.

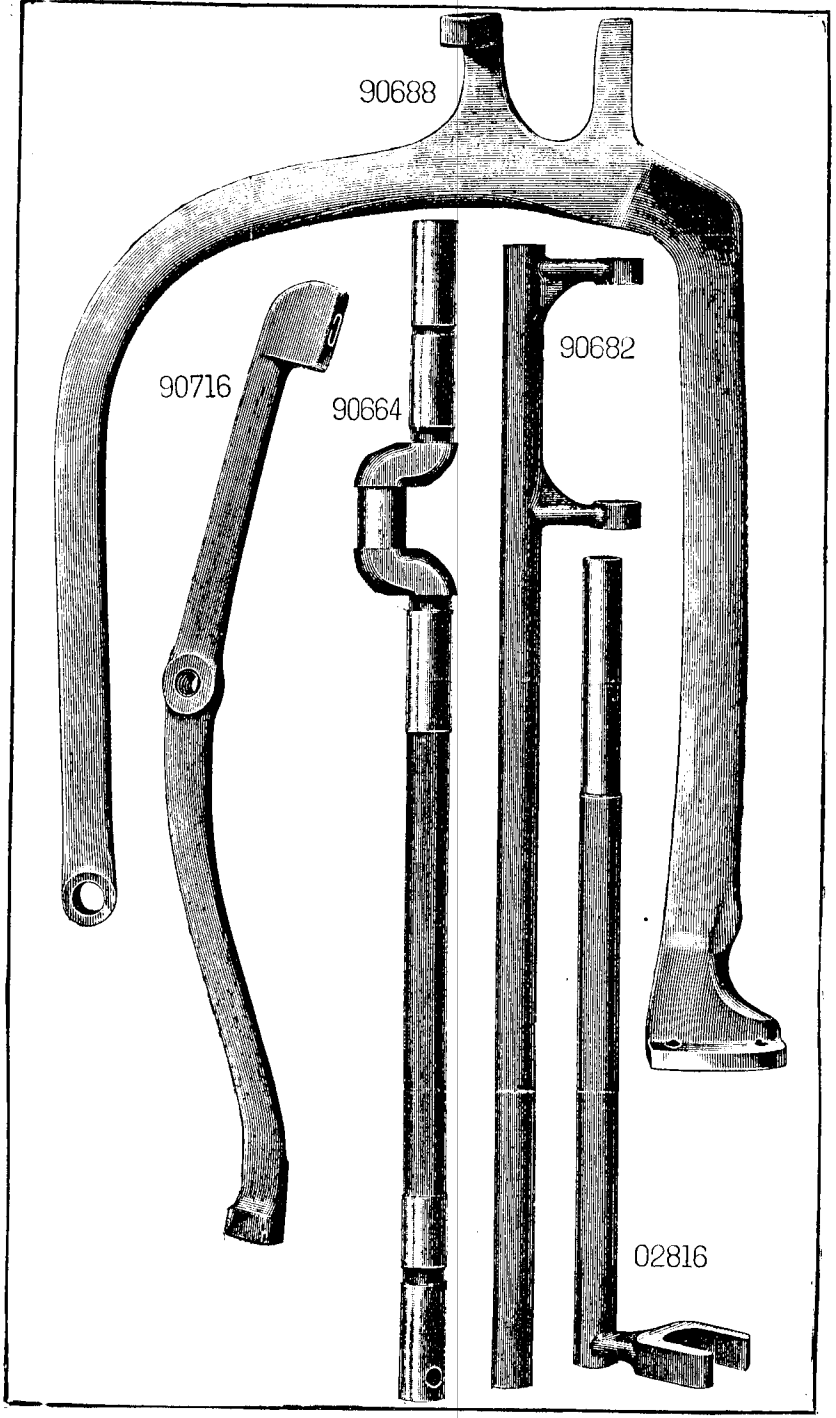


PLATE 324.

FULL SIZE:

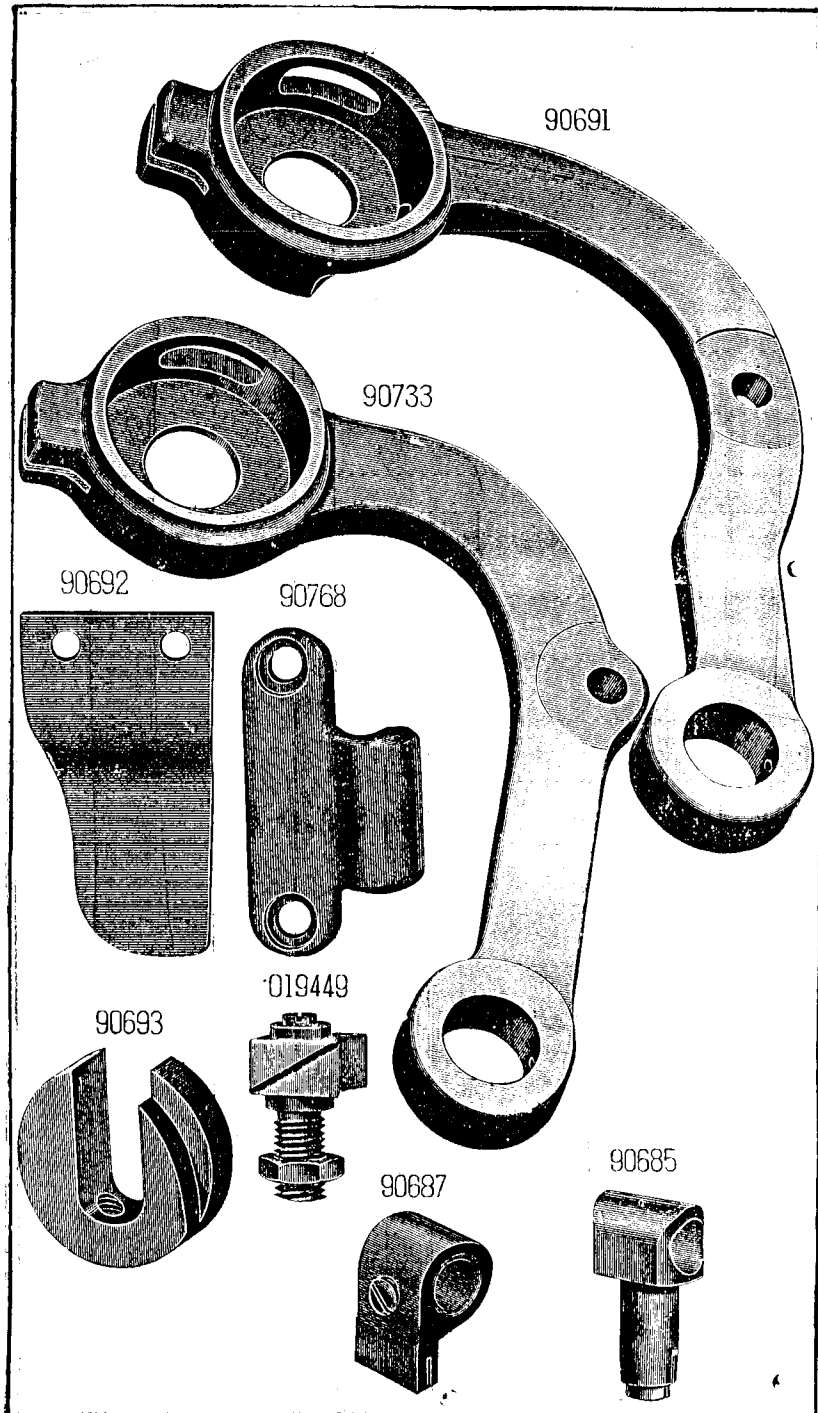


PLATE 325.

FULL SIZE.

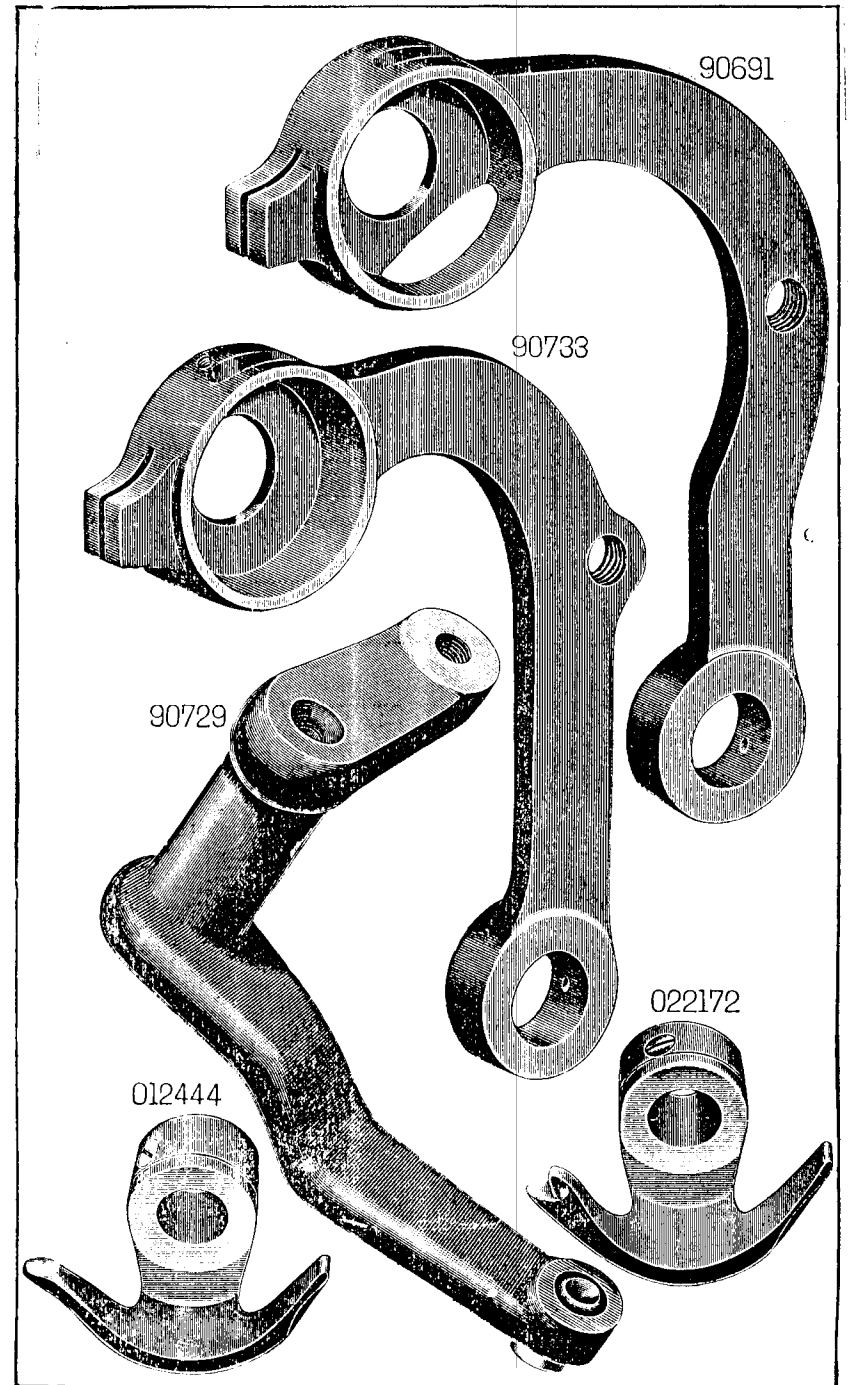


PLATE 326.

FULL SIZE.

PLATE 327.

FULL SIZE

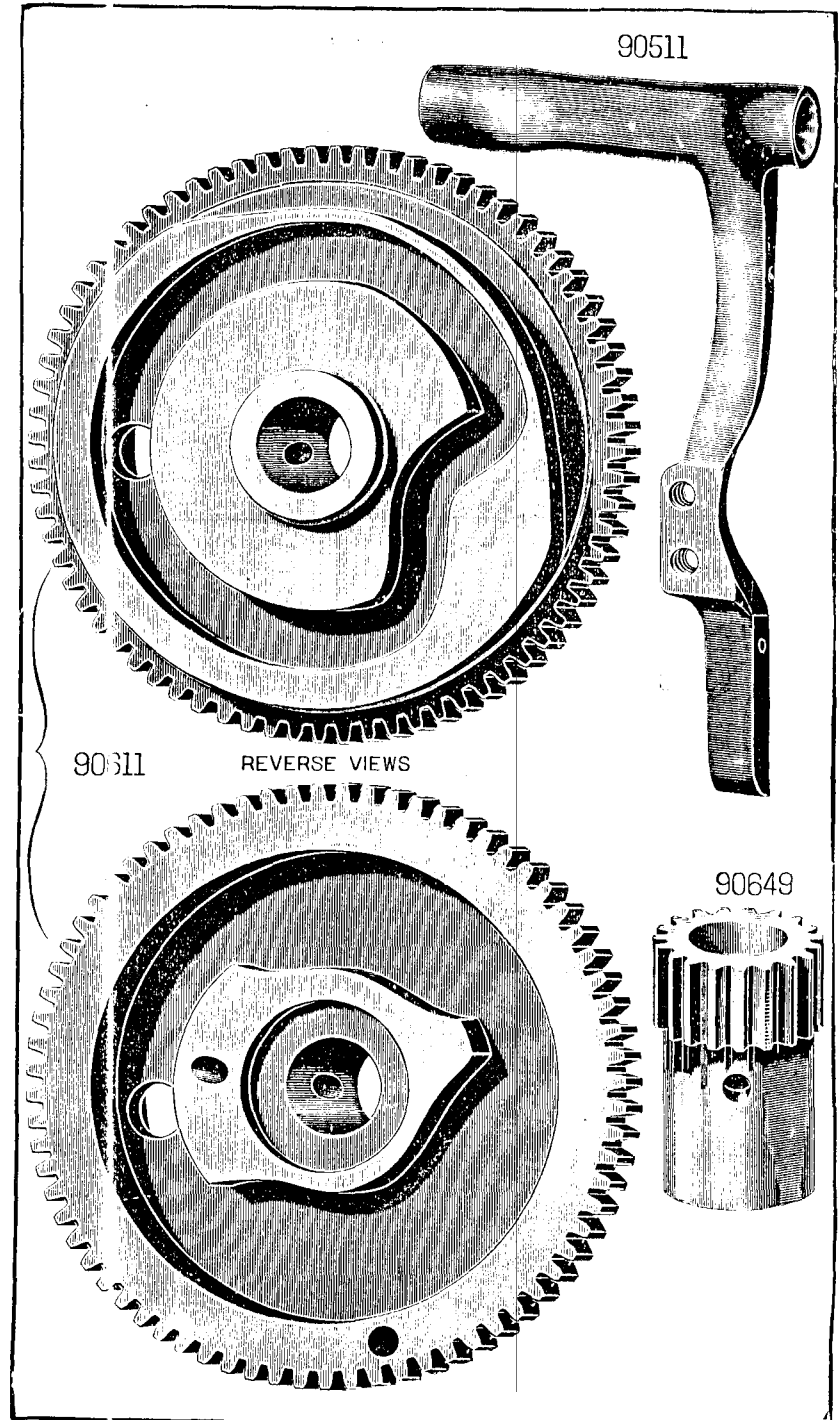
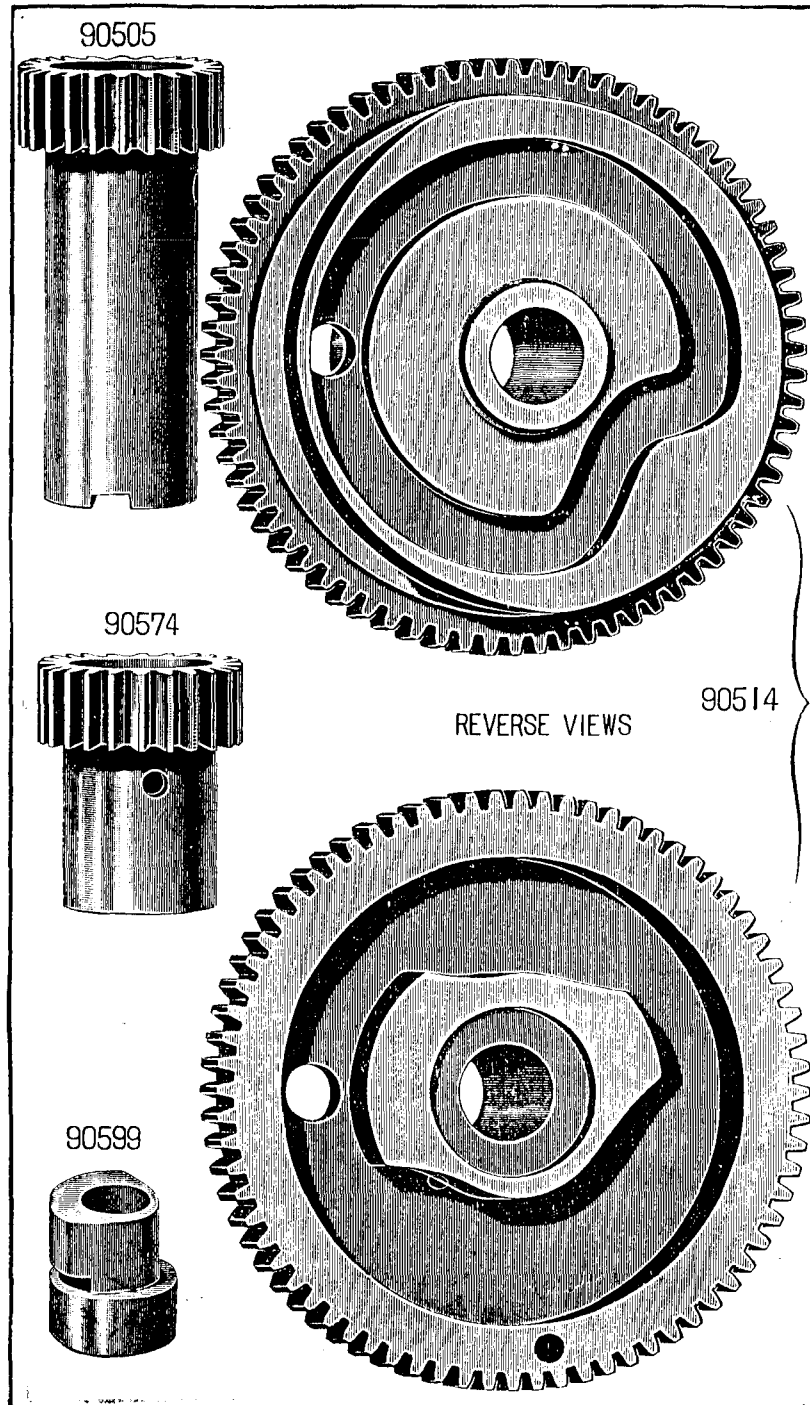
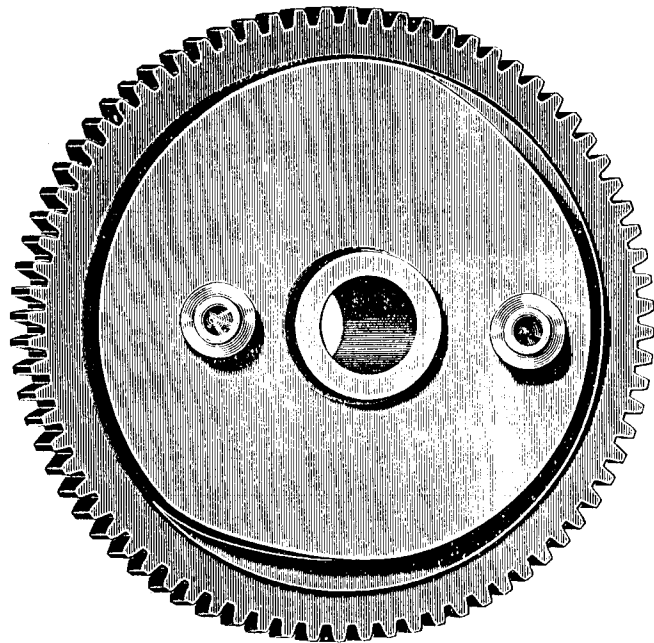


PLATE 328.

FULL SIZE.



90658

REVERSE VIEWS

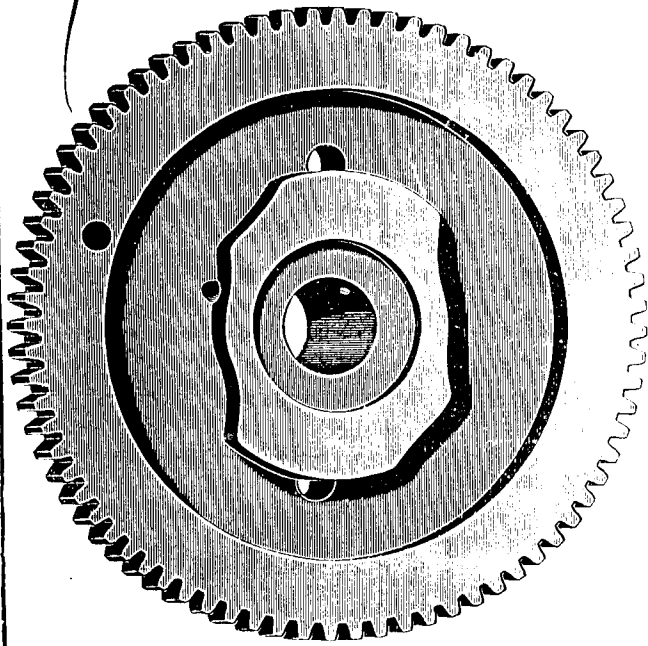
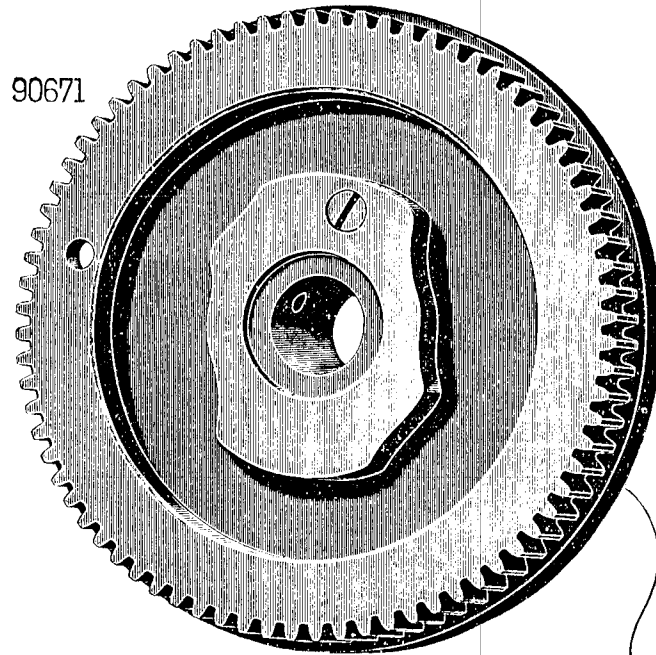


PLATE 329.

FULL SIZE.

90671



90673

90690

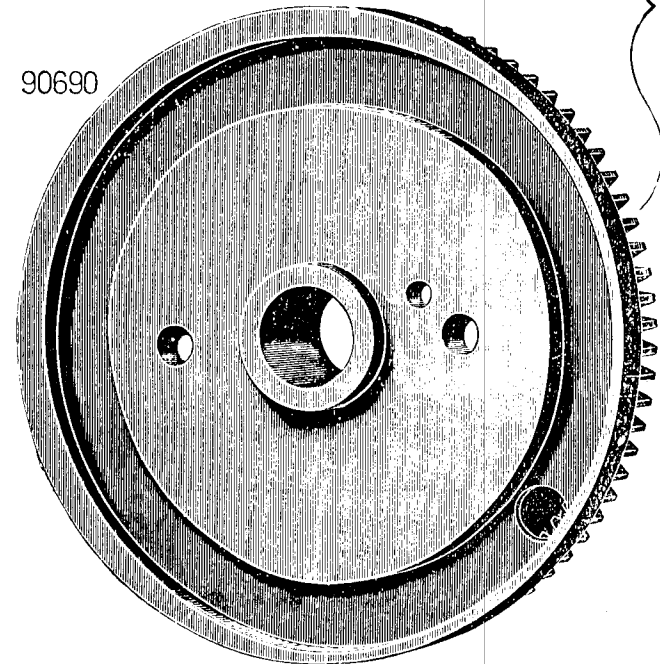


PLATE 330.

FULL SIZE

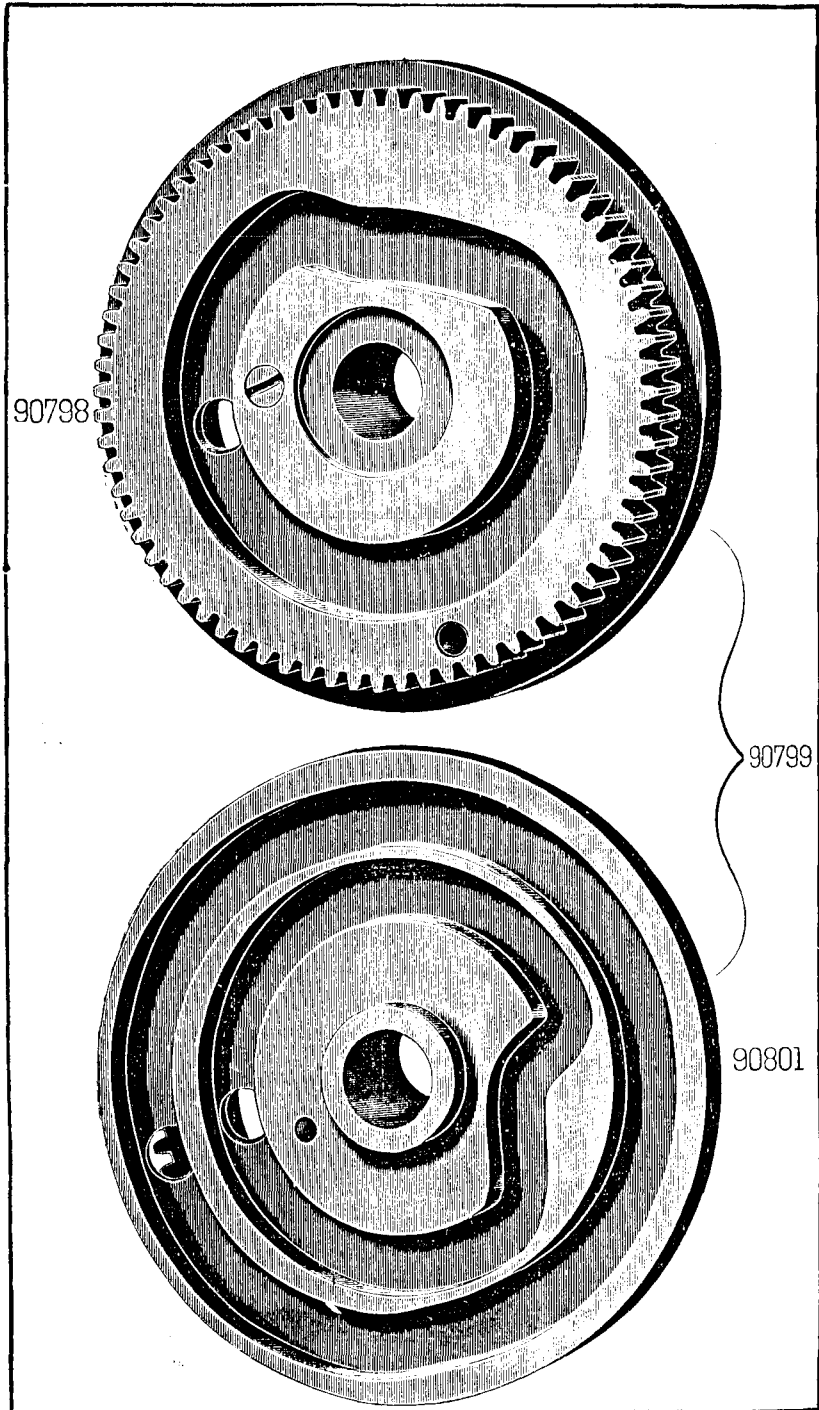


PLATE 331.

FULL SIZE.

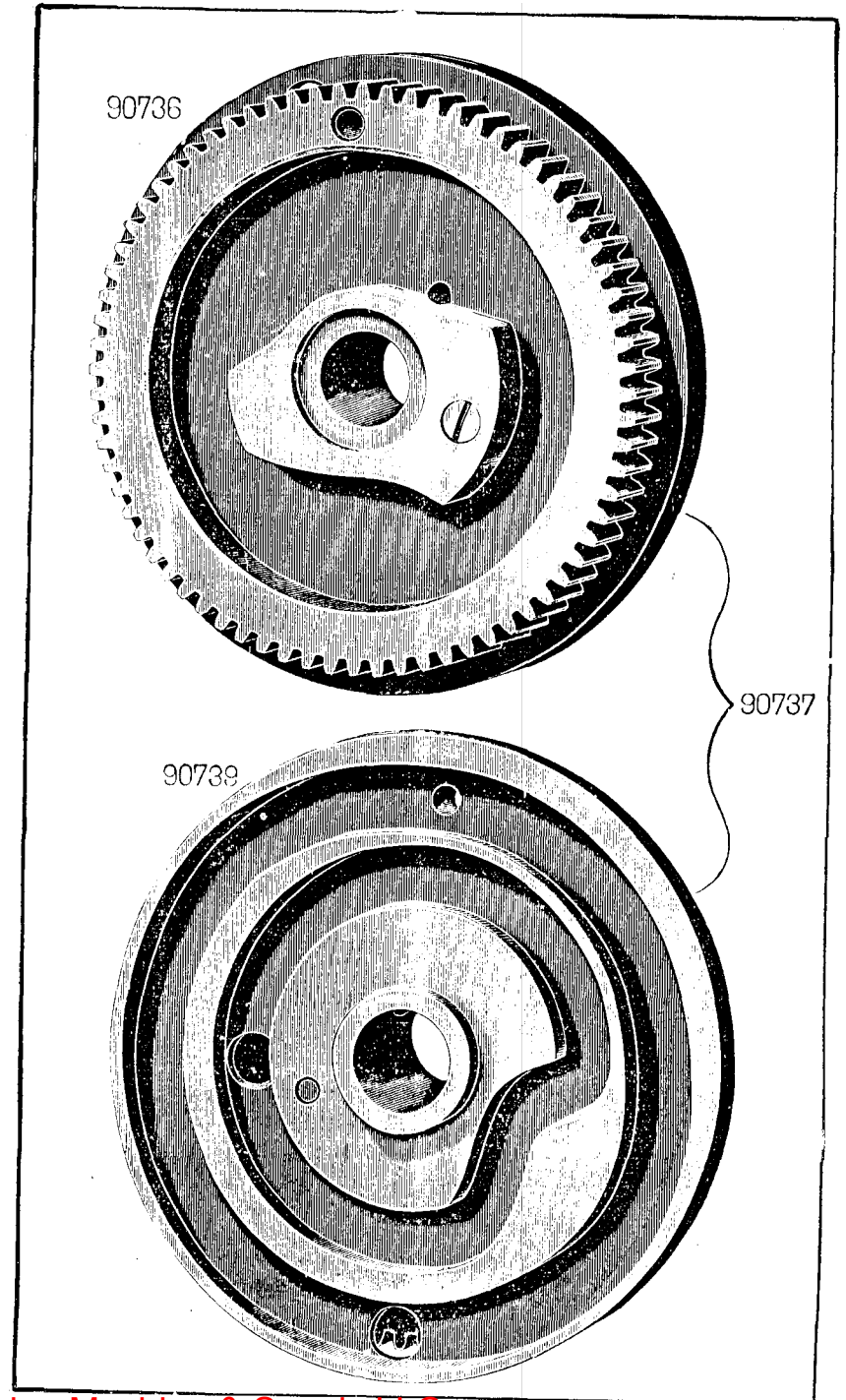
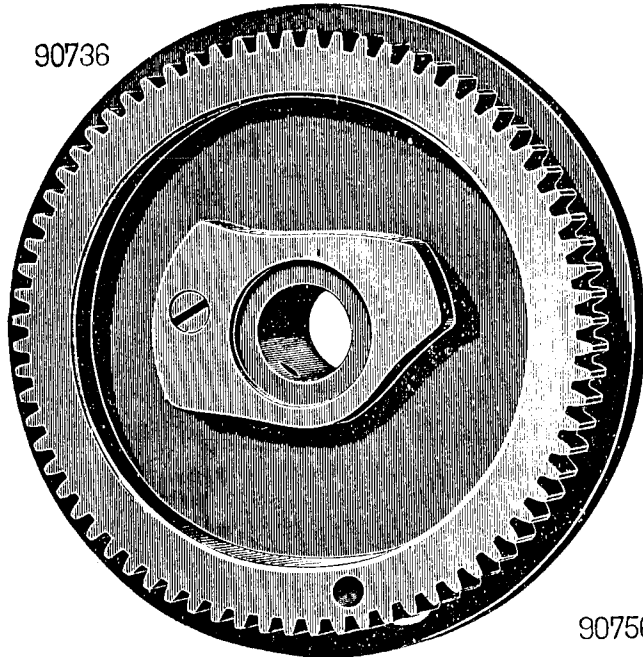


PLATE 332.

FULL SIZE.

90736



90756

90757

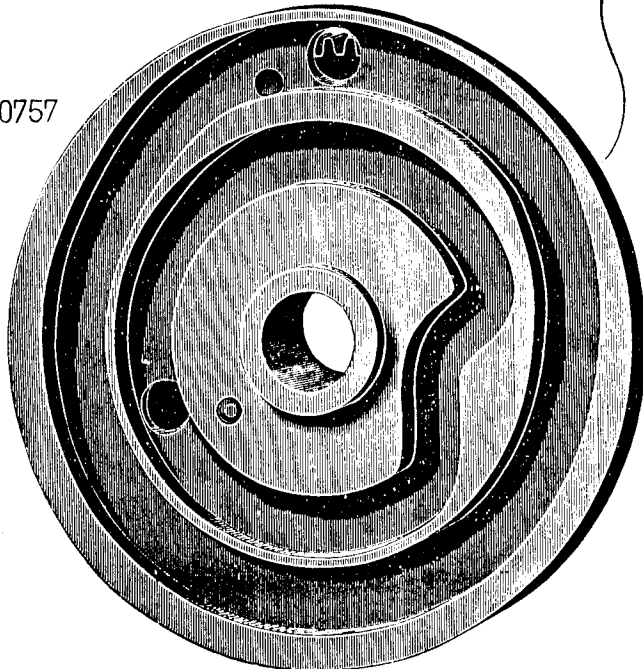
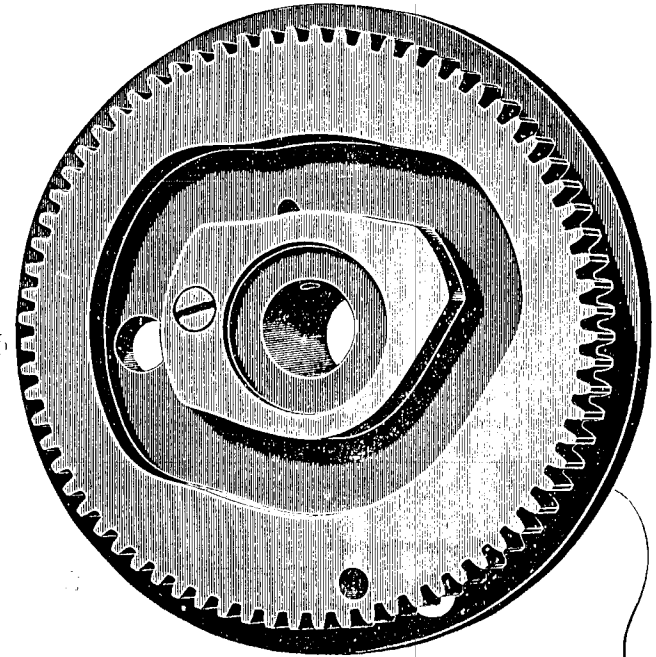


PLATE 333.

FULL SIZE.

90765



90766

90732

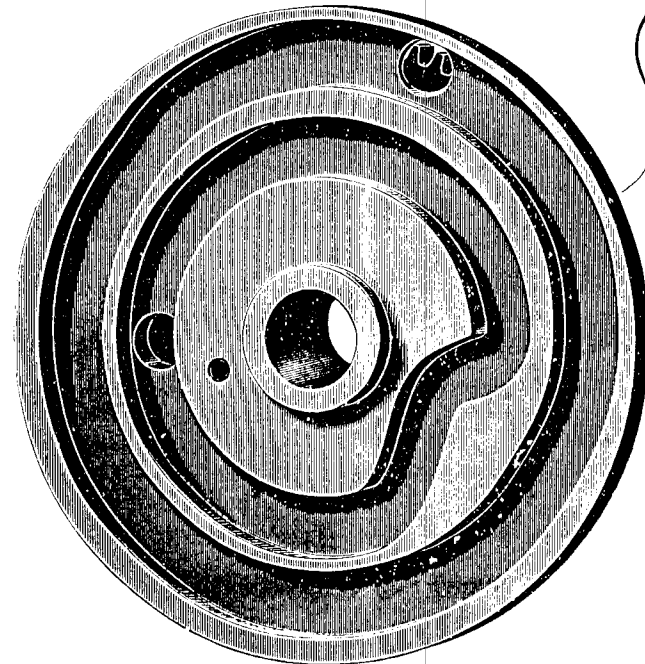


PLATE 334.

FULL SIZE.

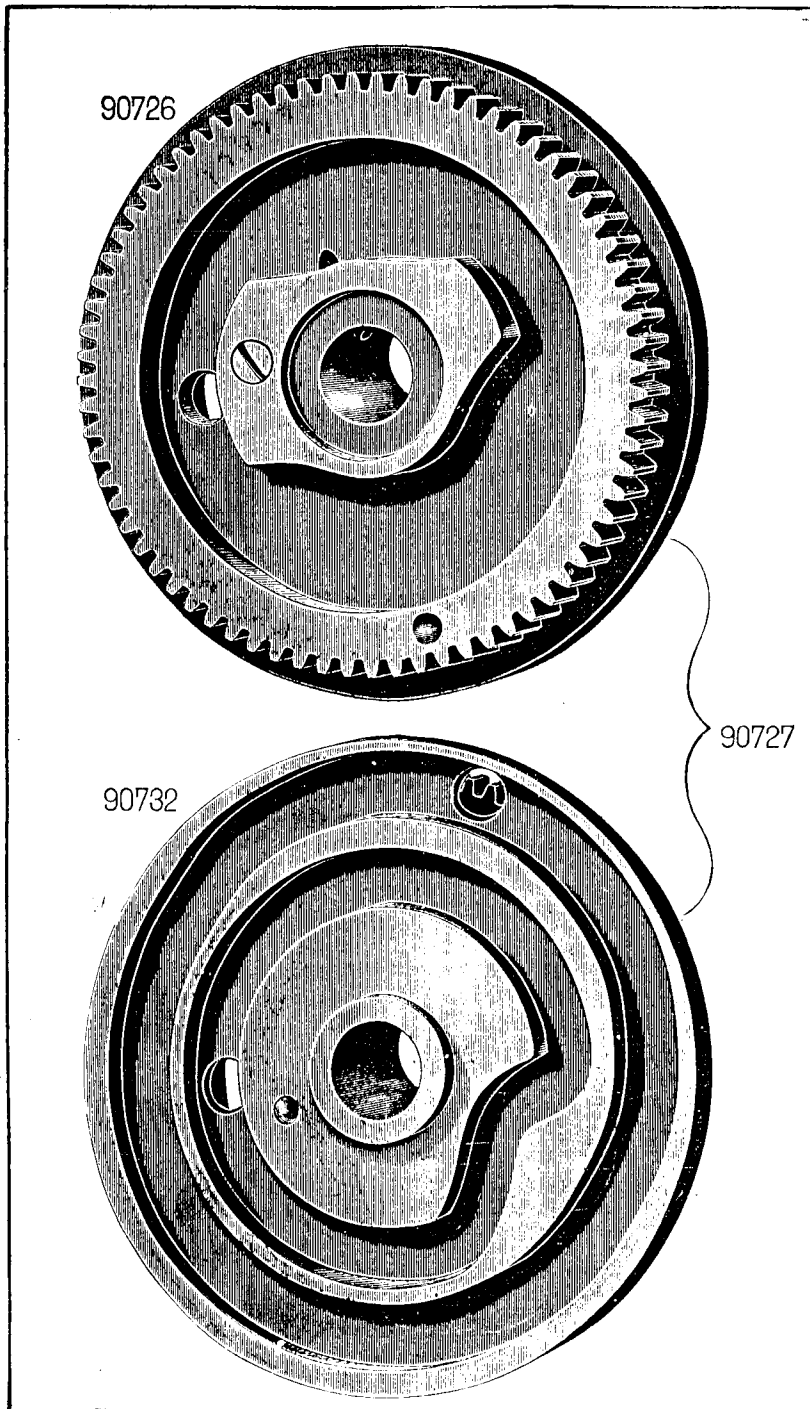


PLATE 335.

FULL SIZE.

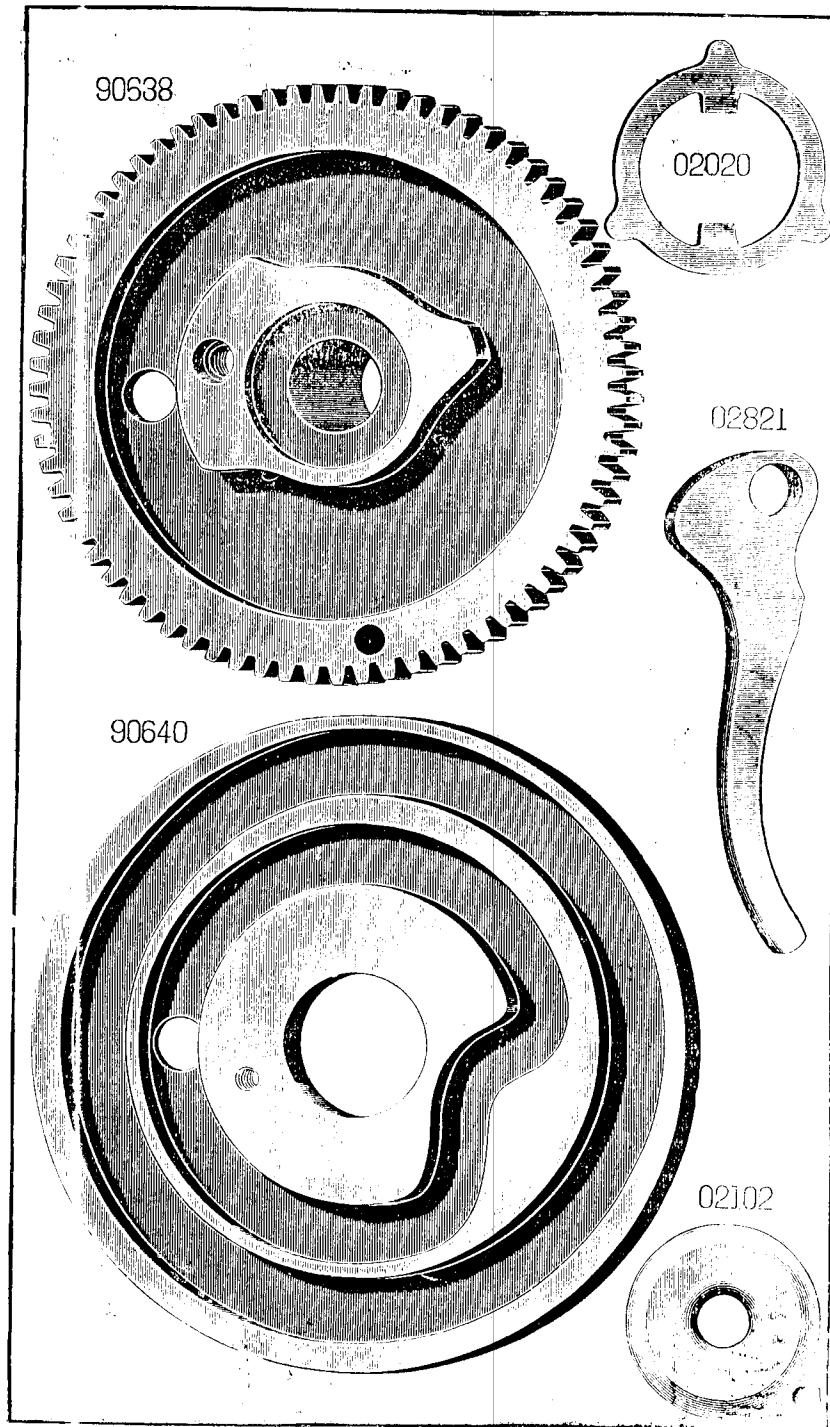


PLATE 336.

PLATE 337.

FULL SIZE.

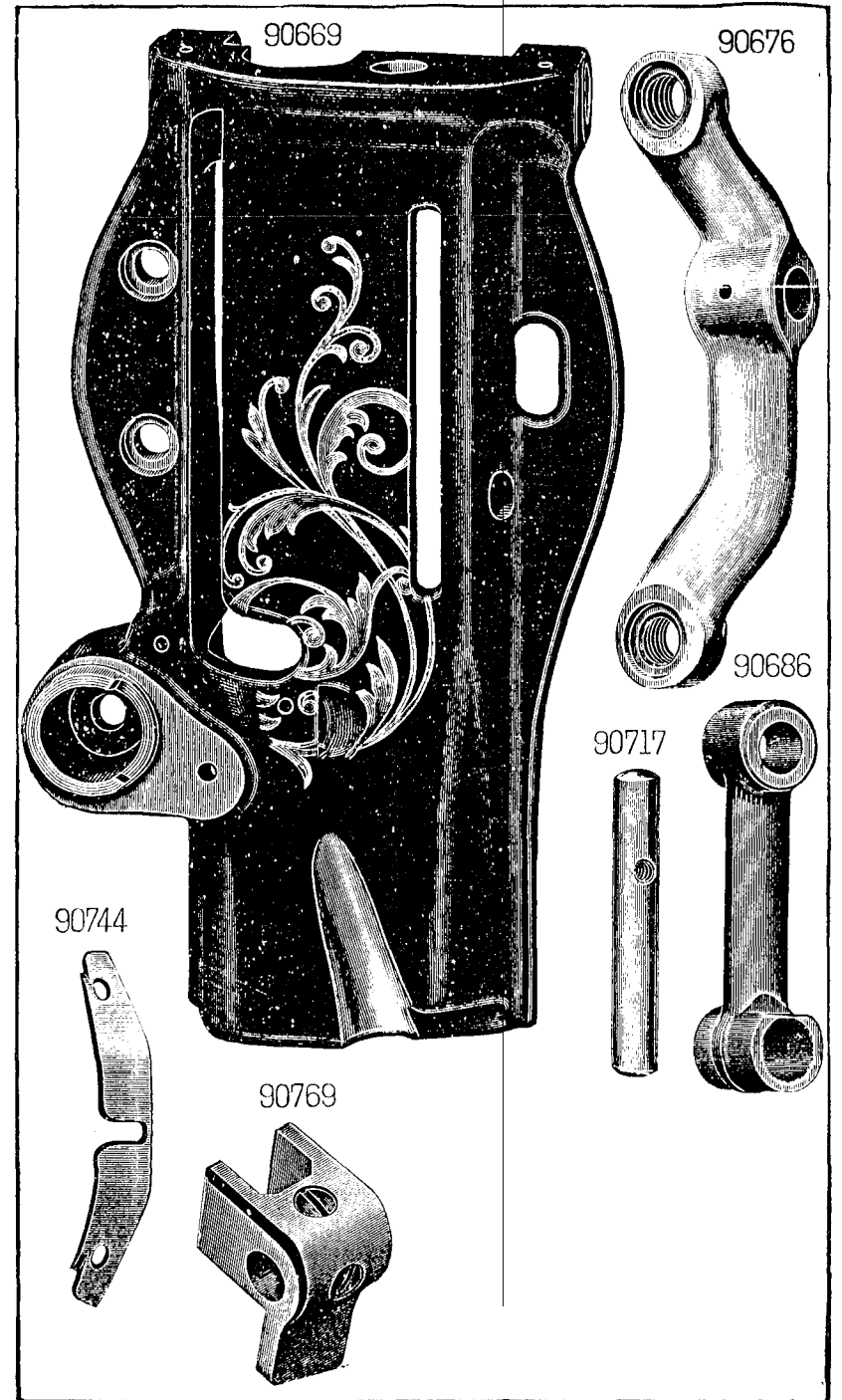
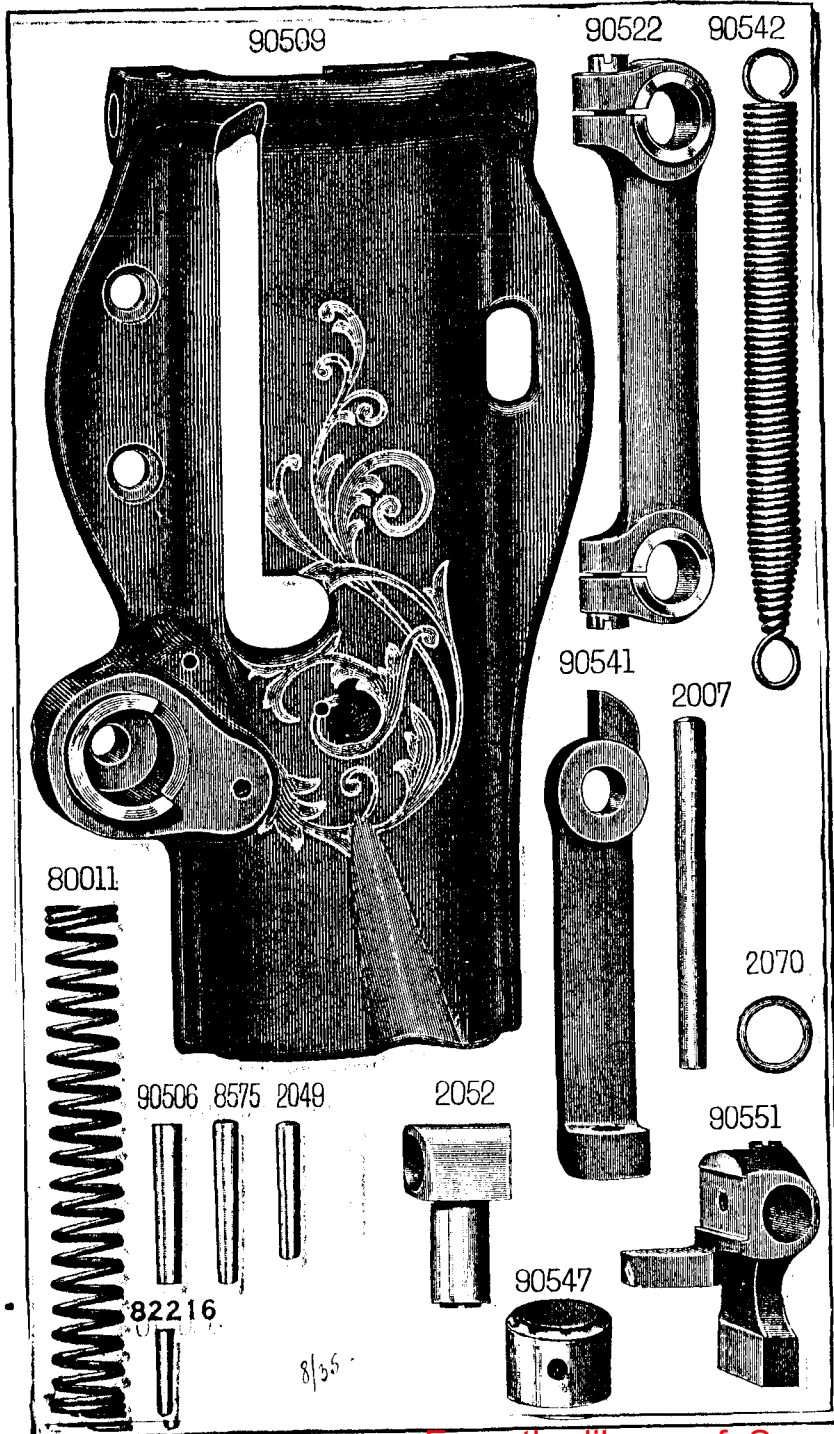


PLATE 338.

FULL SIZE

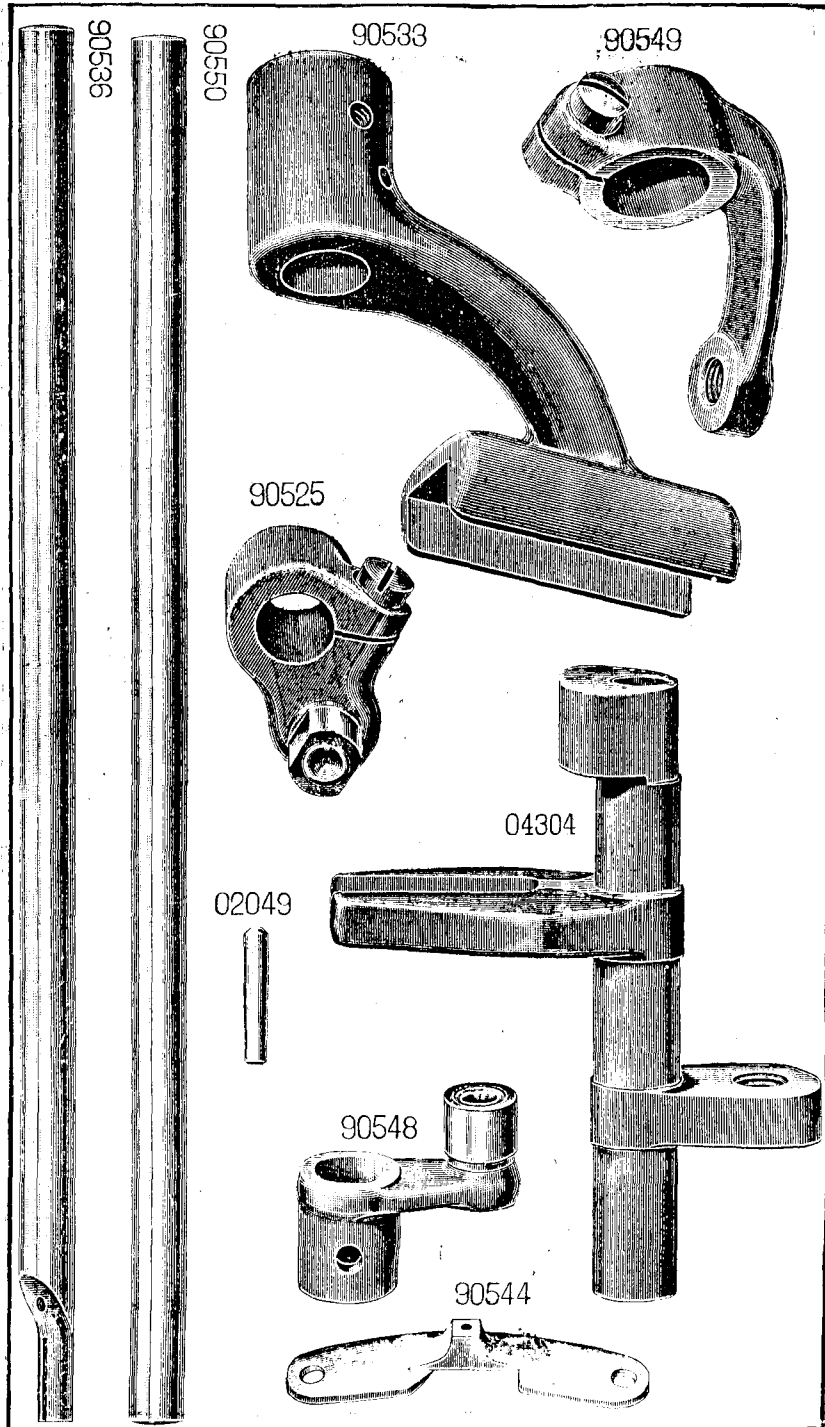


PLATE 339.

FULL SIZE

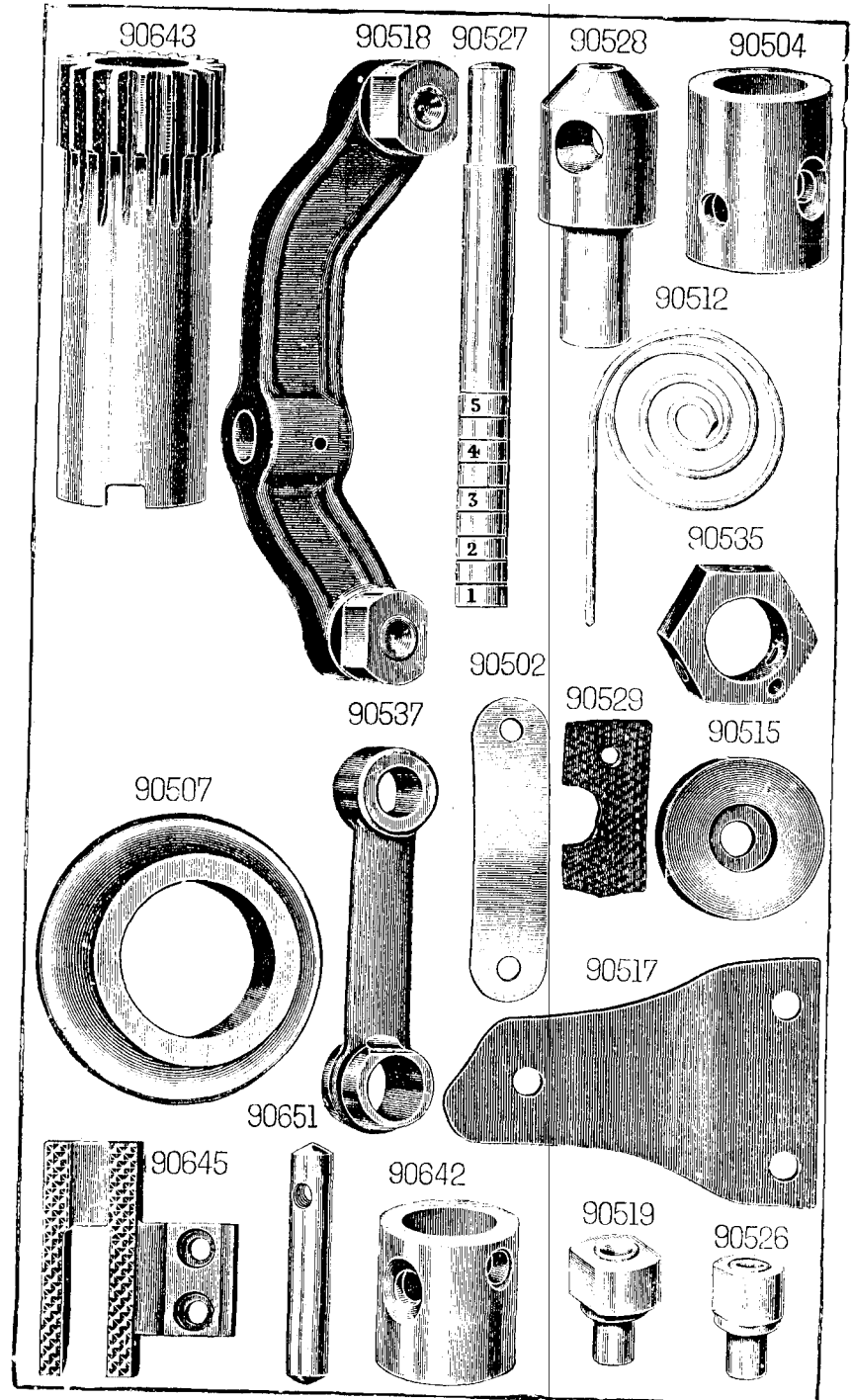


PLATE 340.

FULL SIZE.

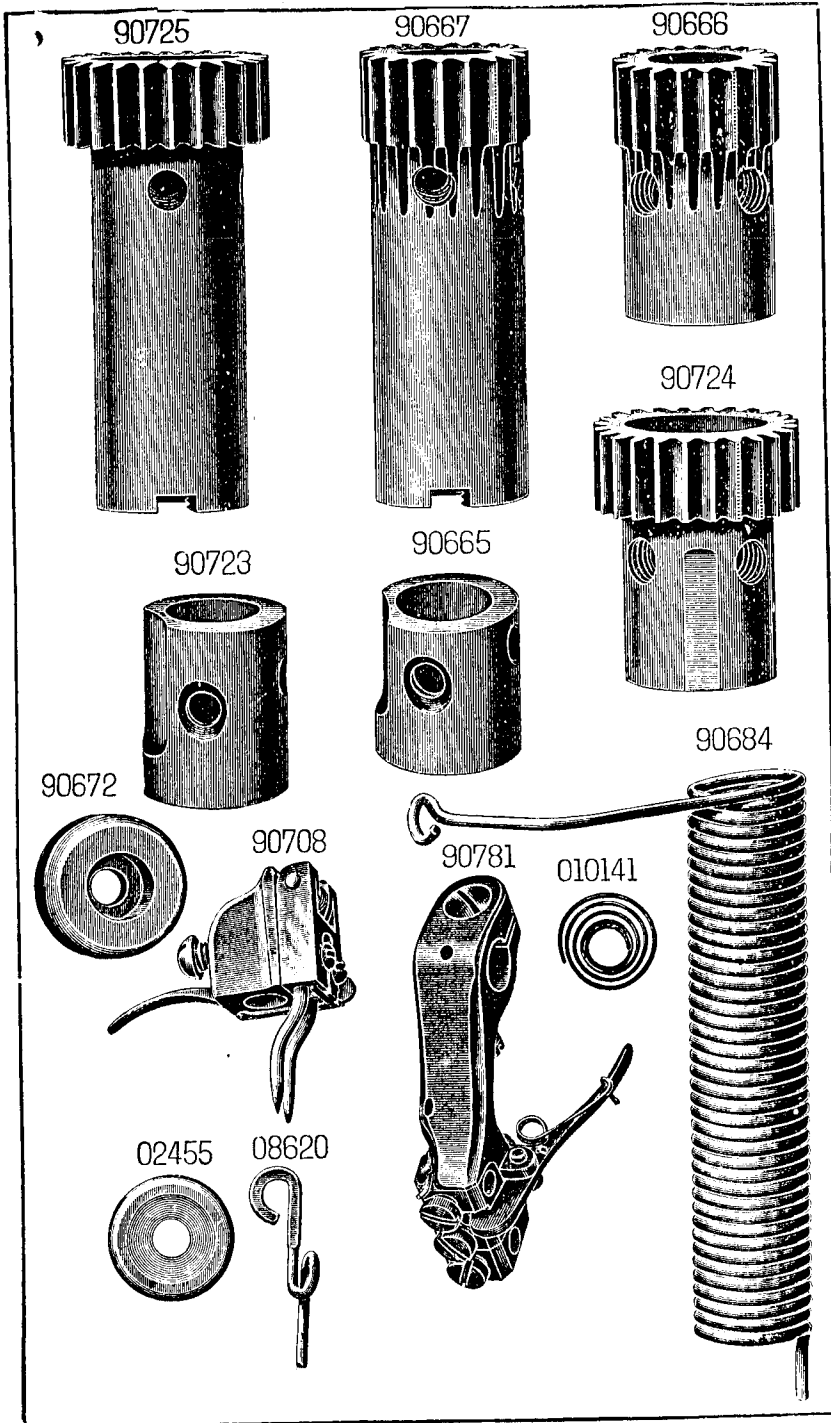


PLATE 341.

FULL SIZE.

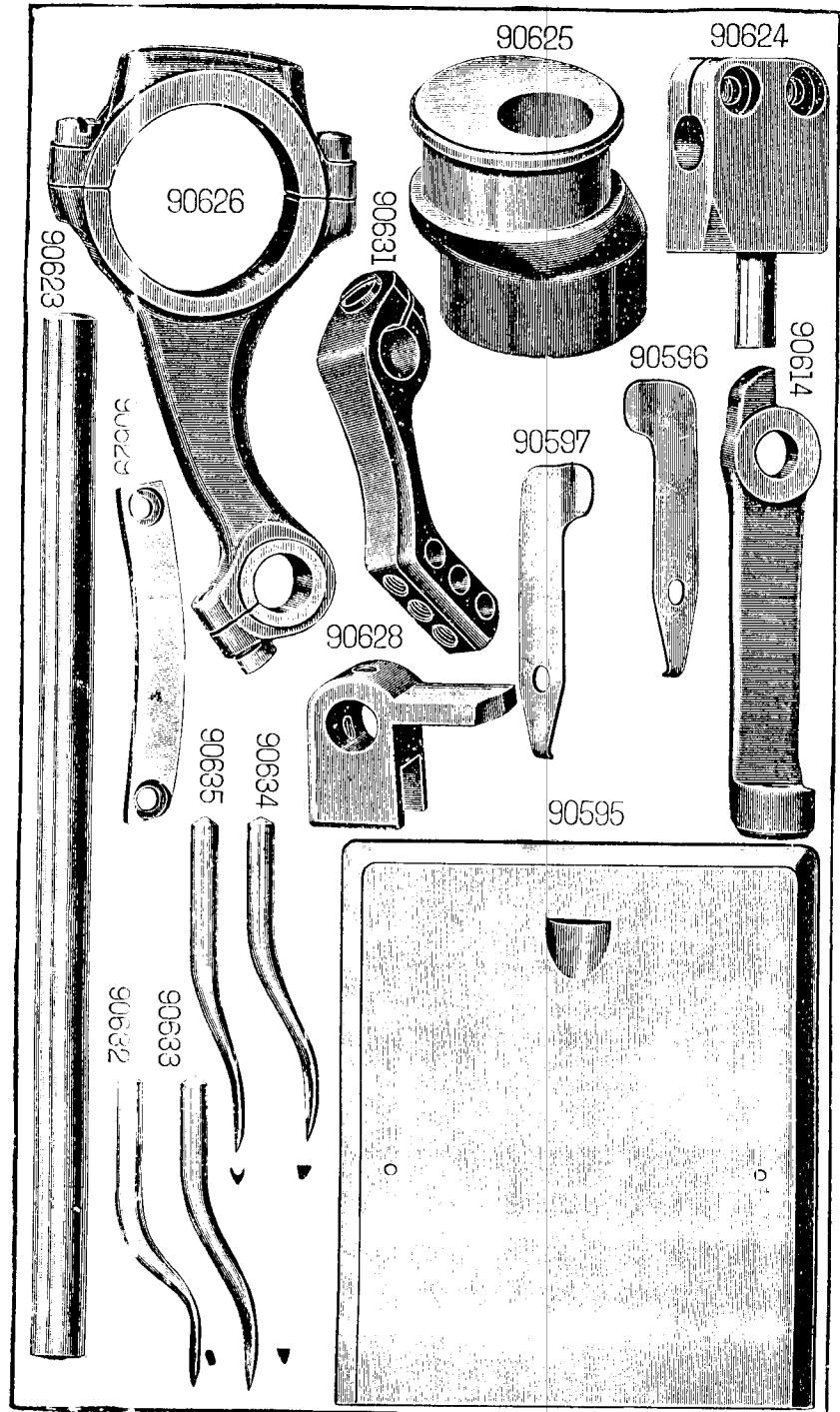


PLATE 342.

FULL SIZE.

PLATE 343.

FULL SIZE.

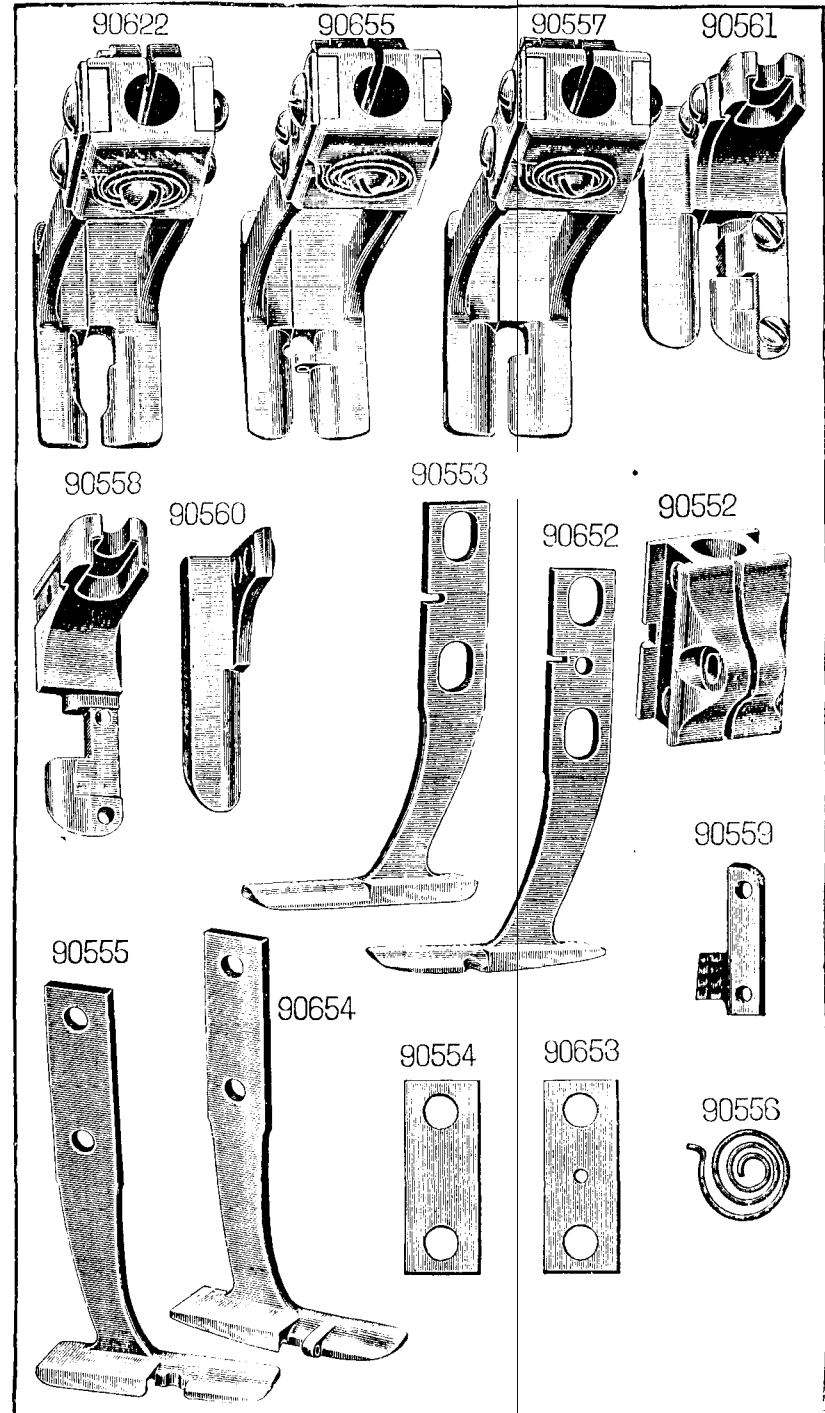
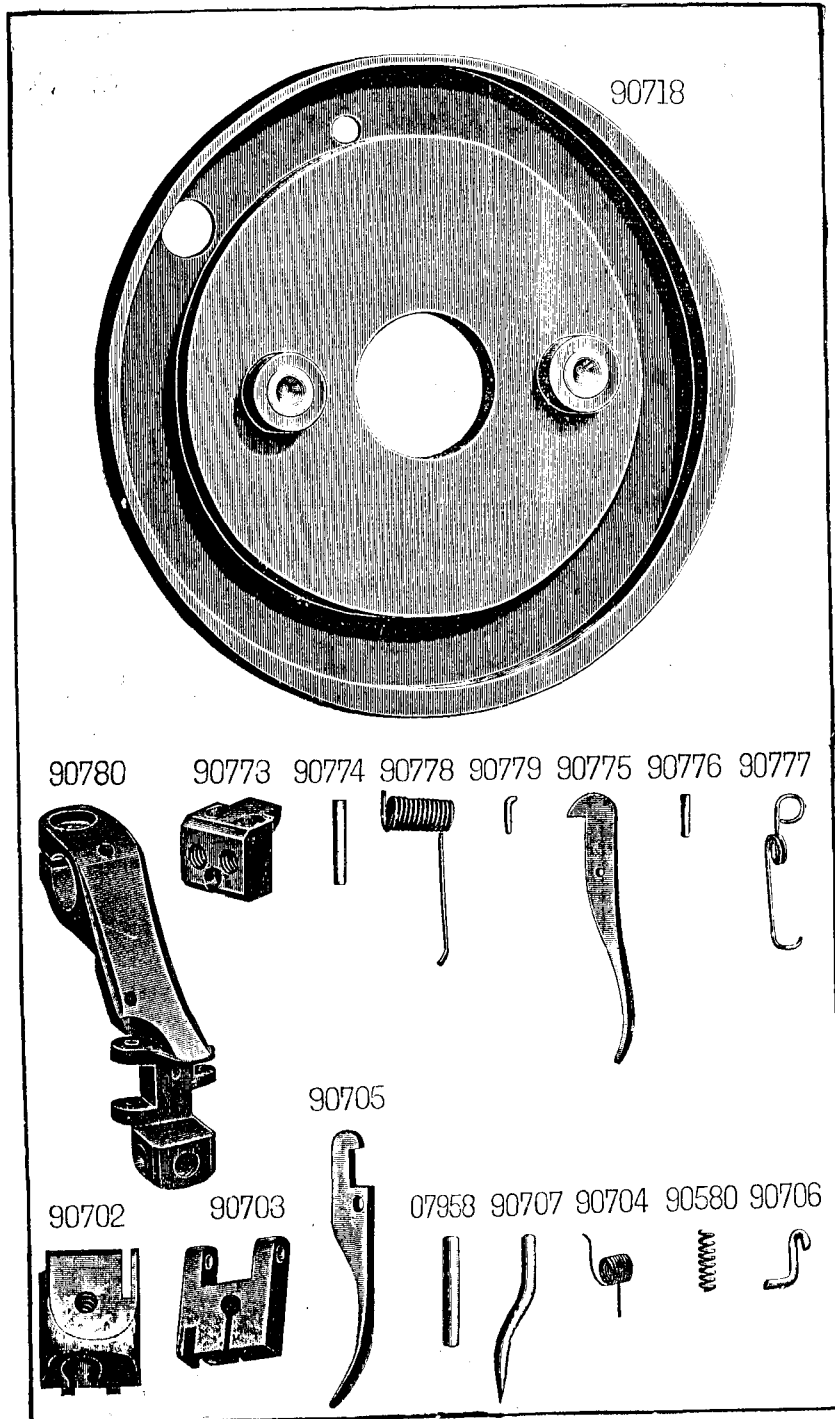


PLATE 344.

FULL SIZE.

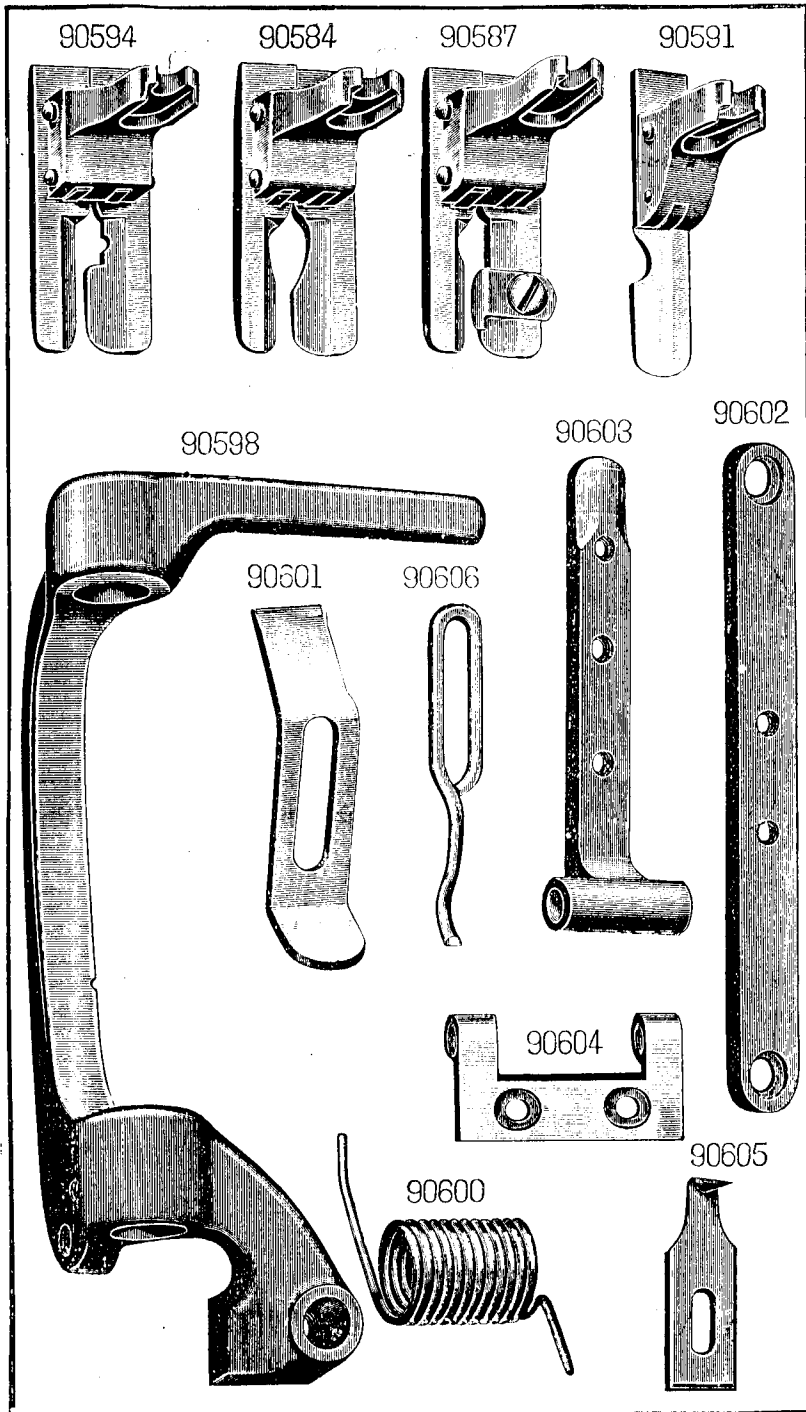


PLATE 345.

FULL SIZE.

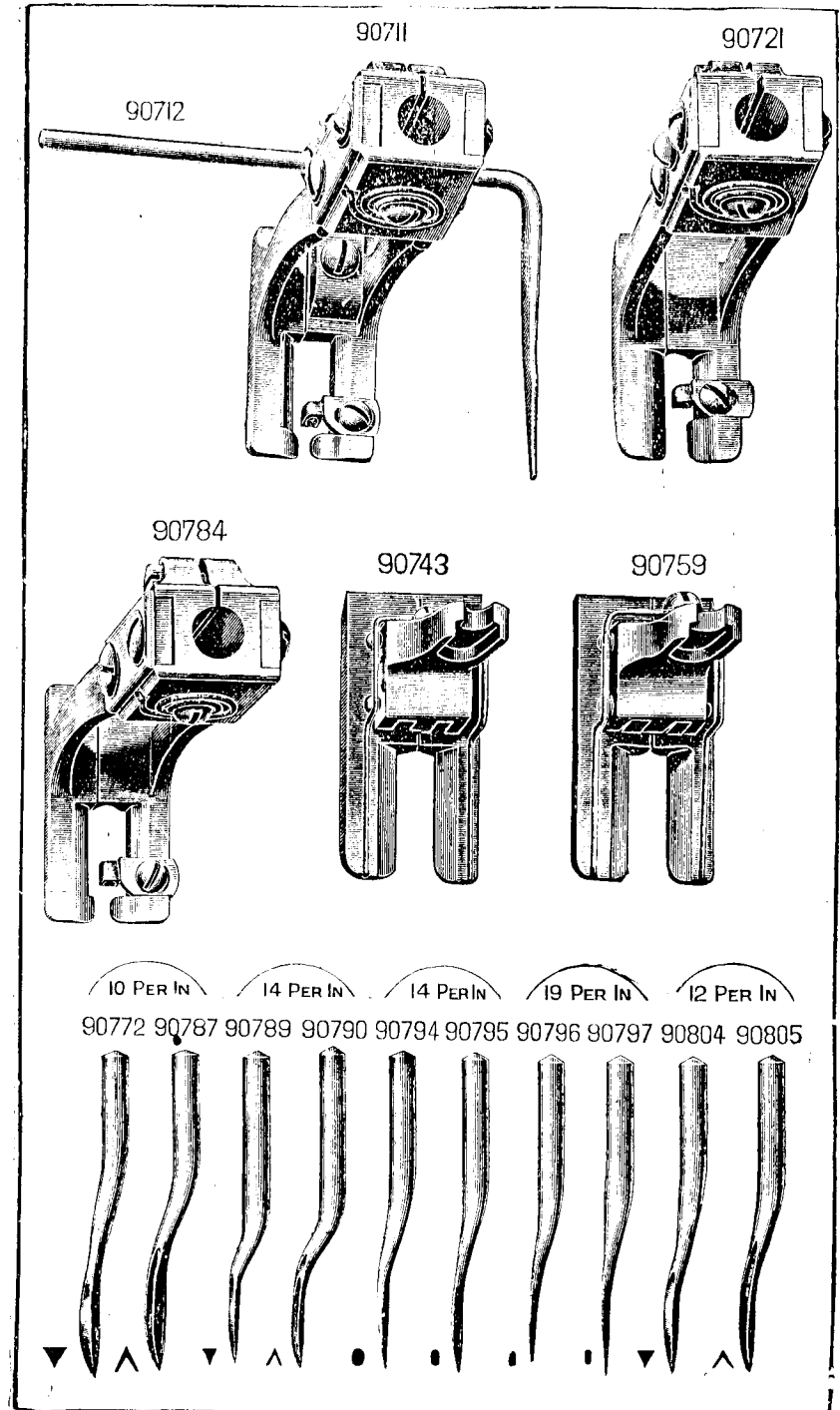


PLATE 346.

FULL SIZE.

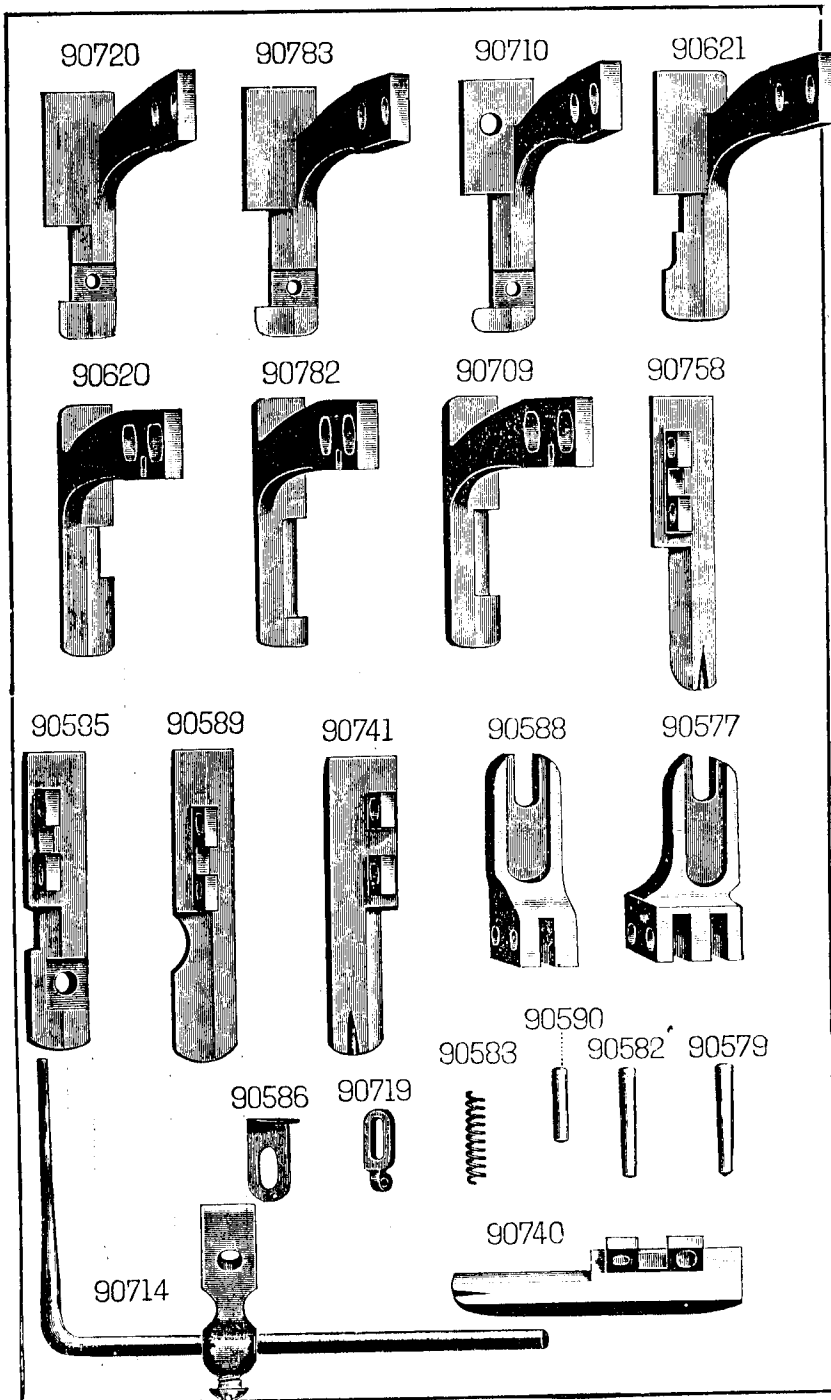


PLATE 347.

FULL SIZE.

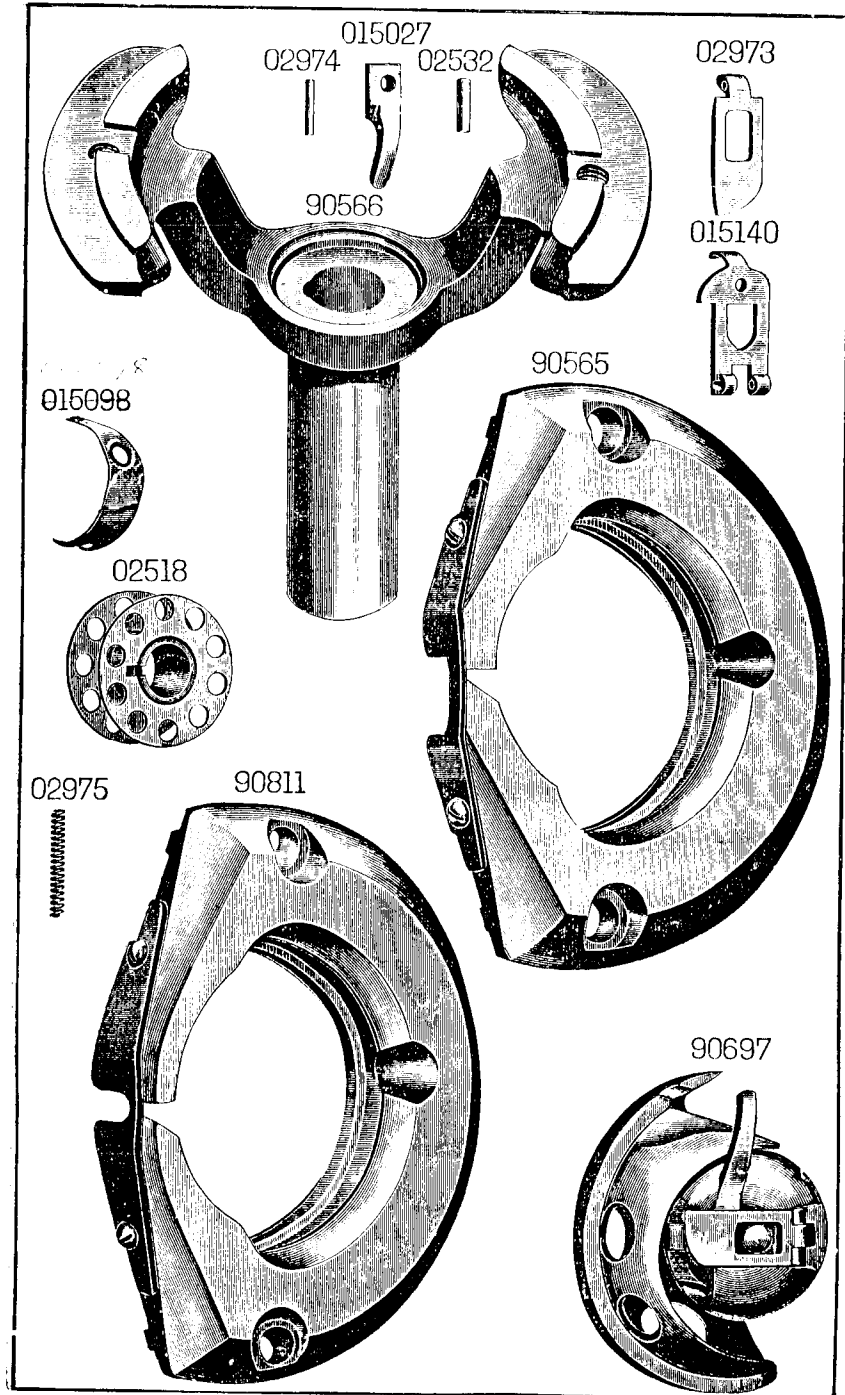


PLATE 348.

FULL SIZE.

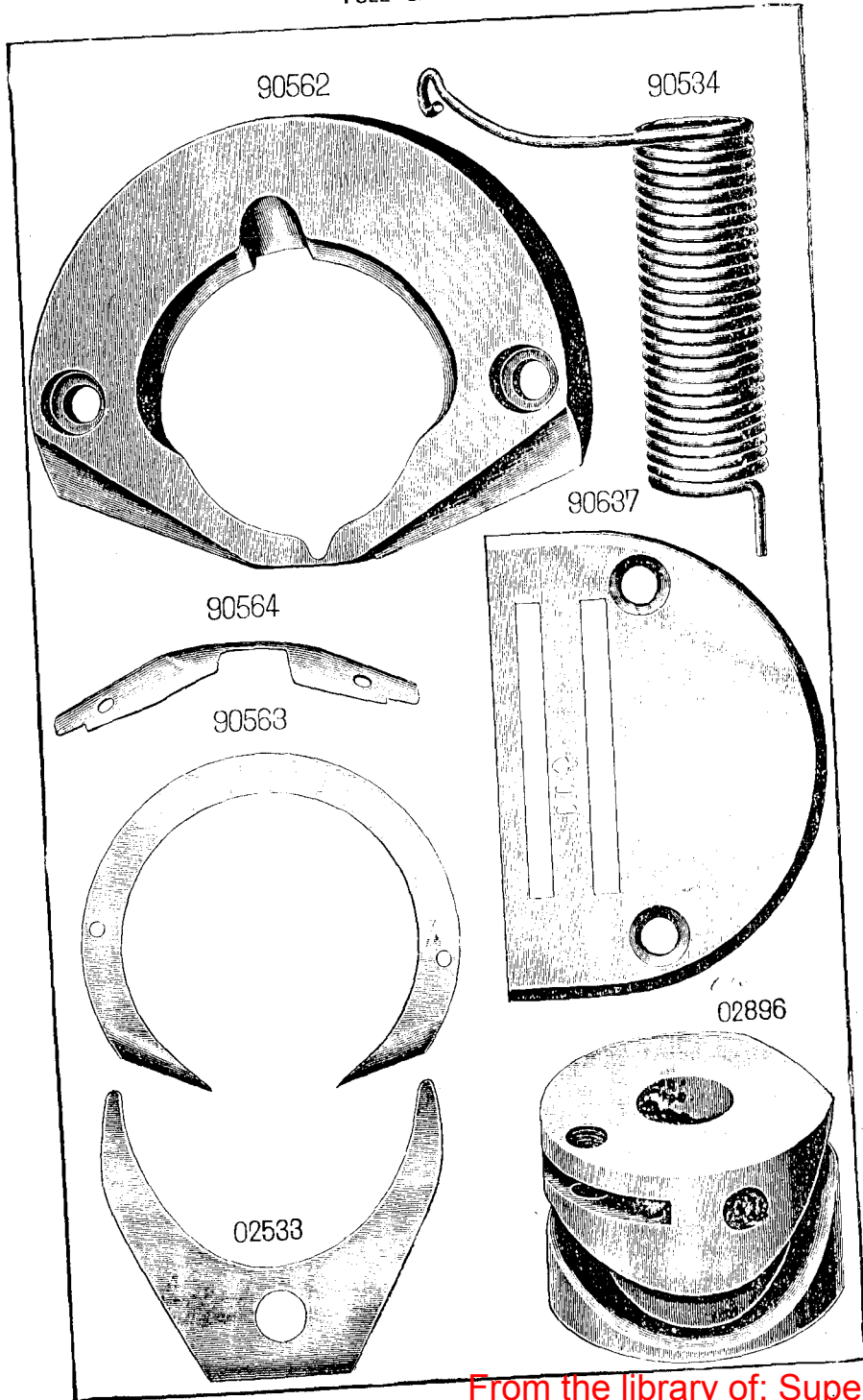


PLATE 349.

FULL SIZE.

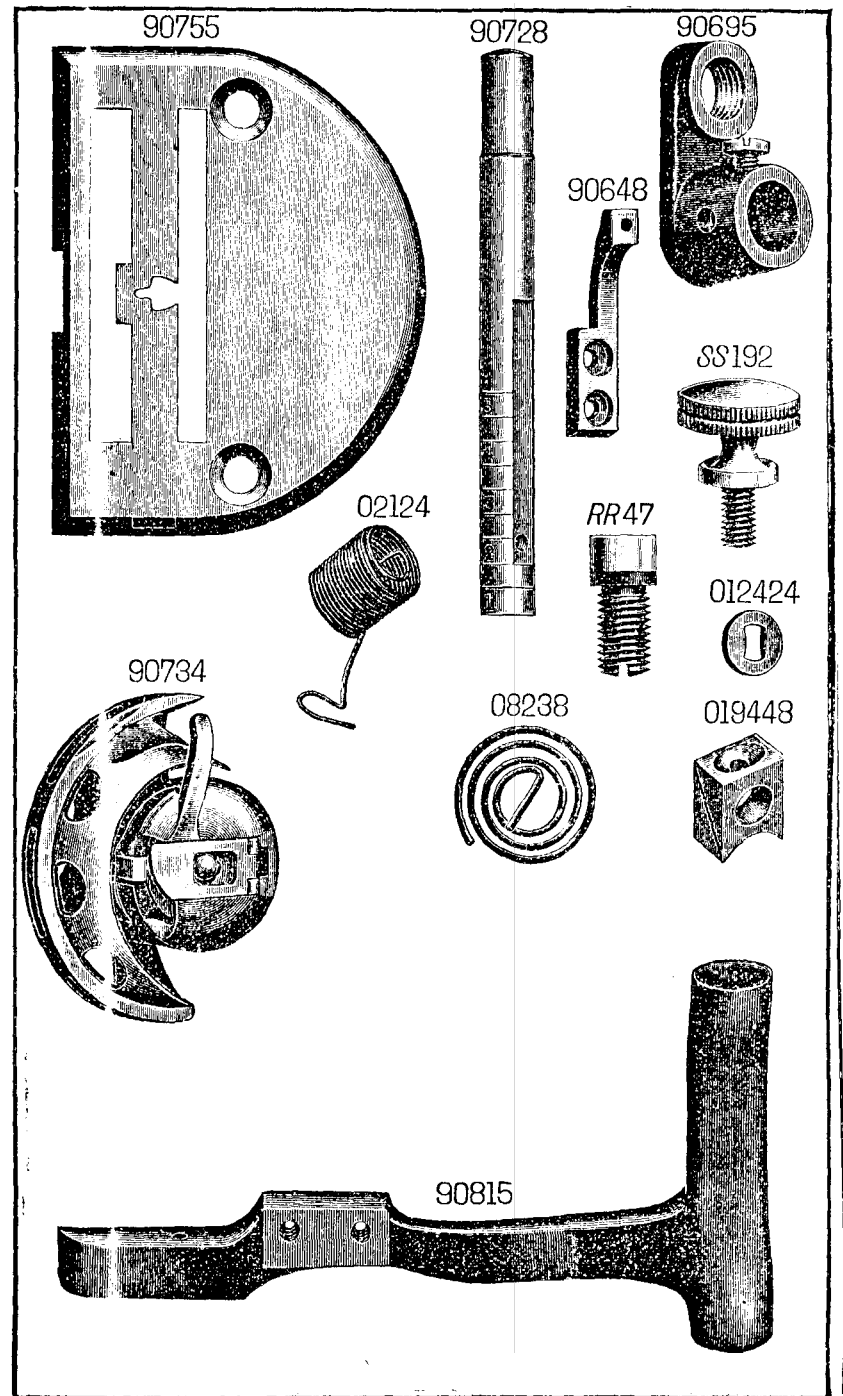


PLATE 350.

FULL SIZE.

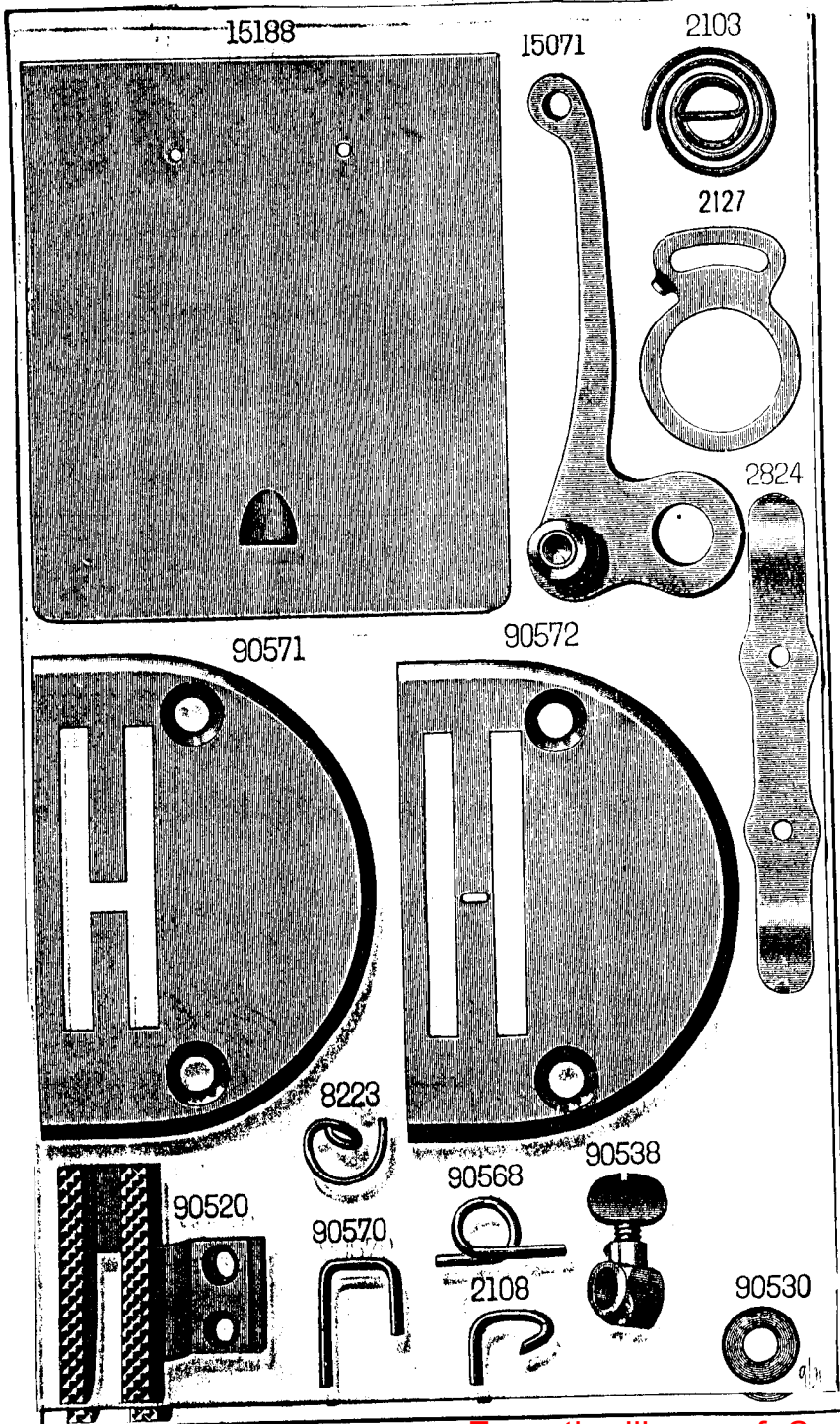


PLATE 351.

FULL SIZE.

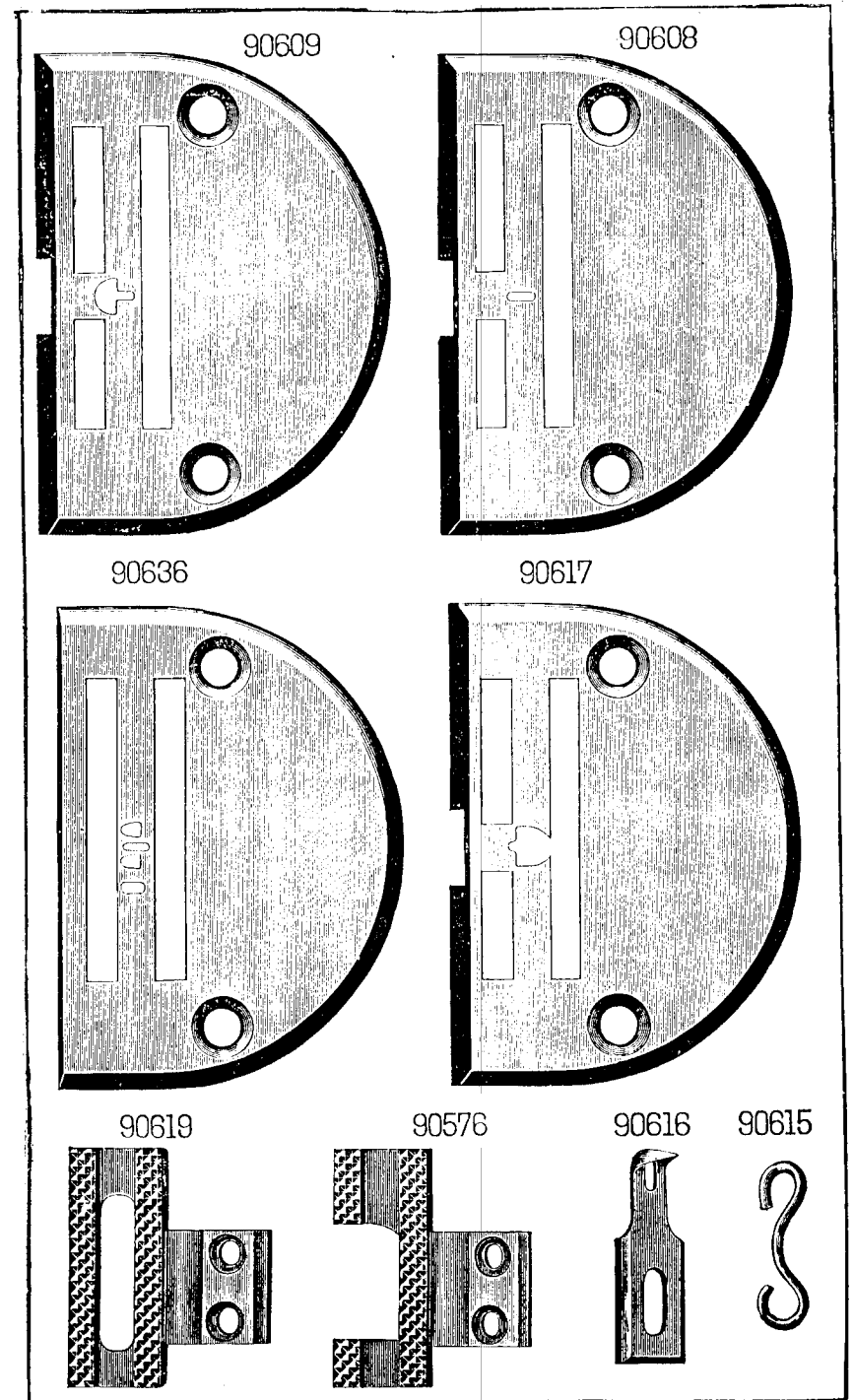


PLATE 352.

FULL SIZE.

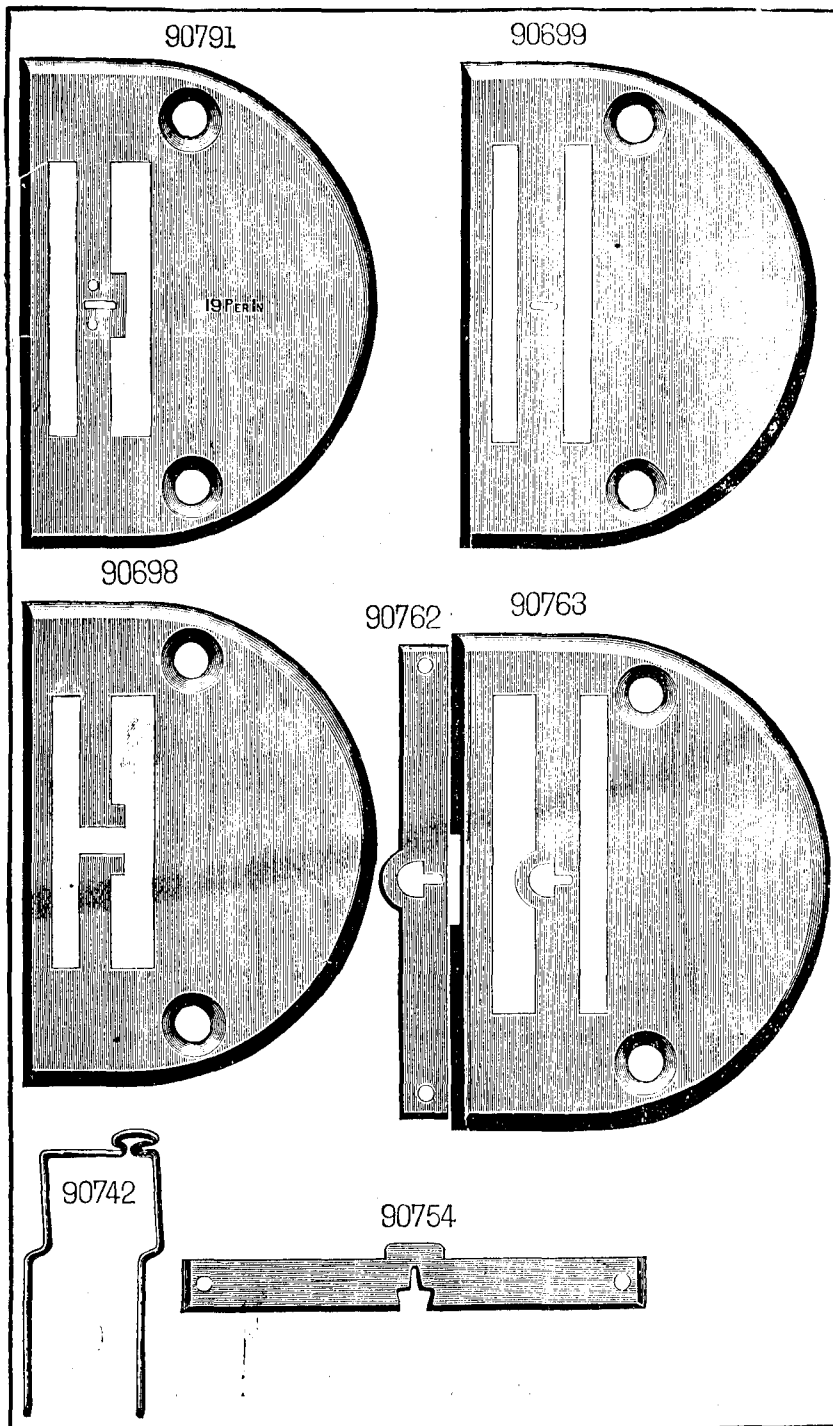


PLATE 353.

FULL SIZE.

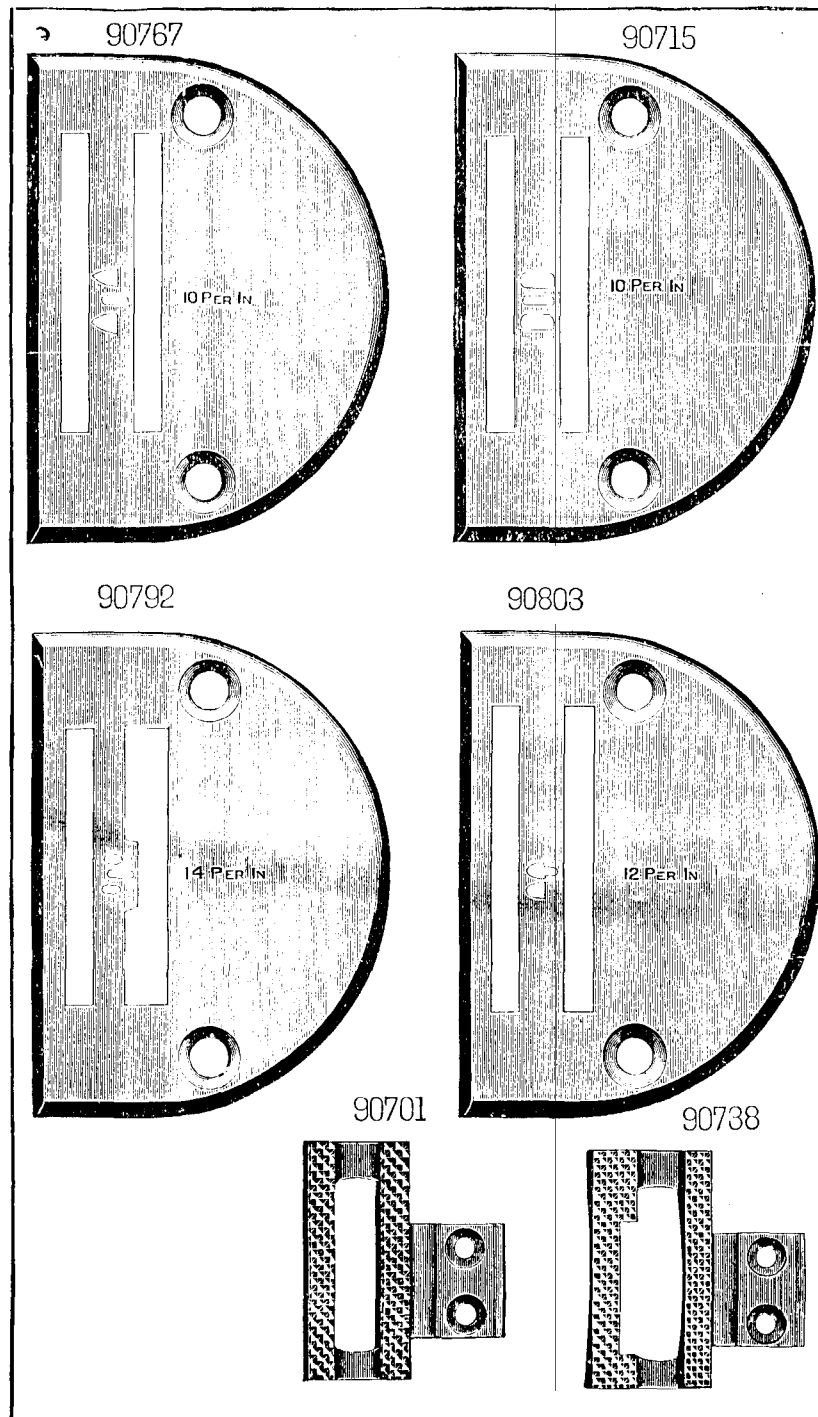


PLATE 354.

FULL SIZE.

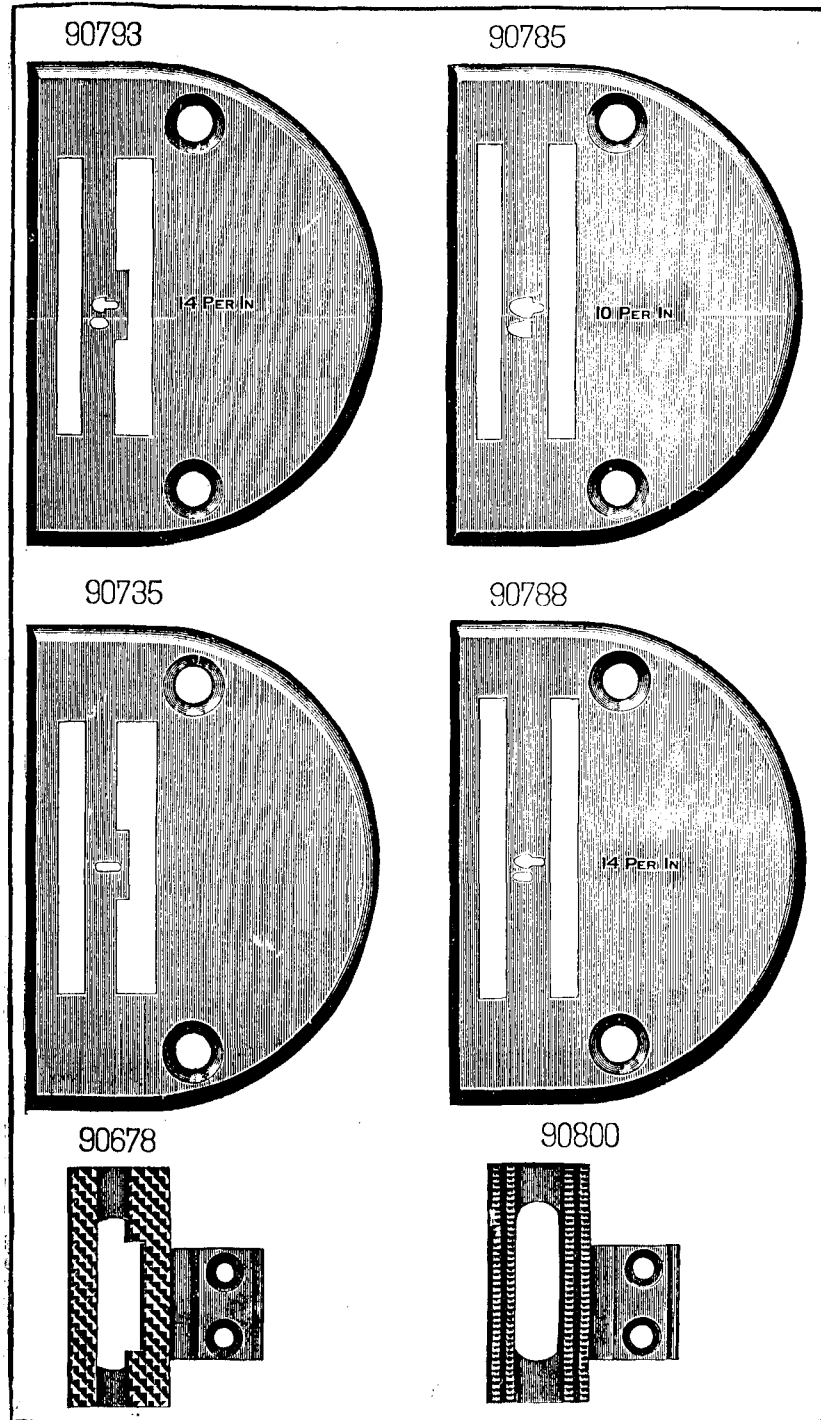
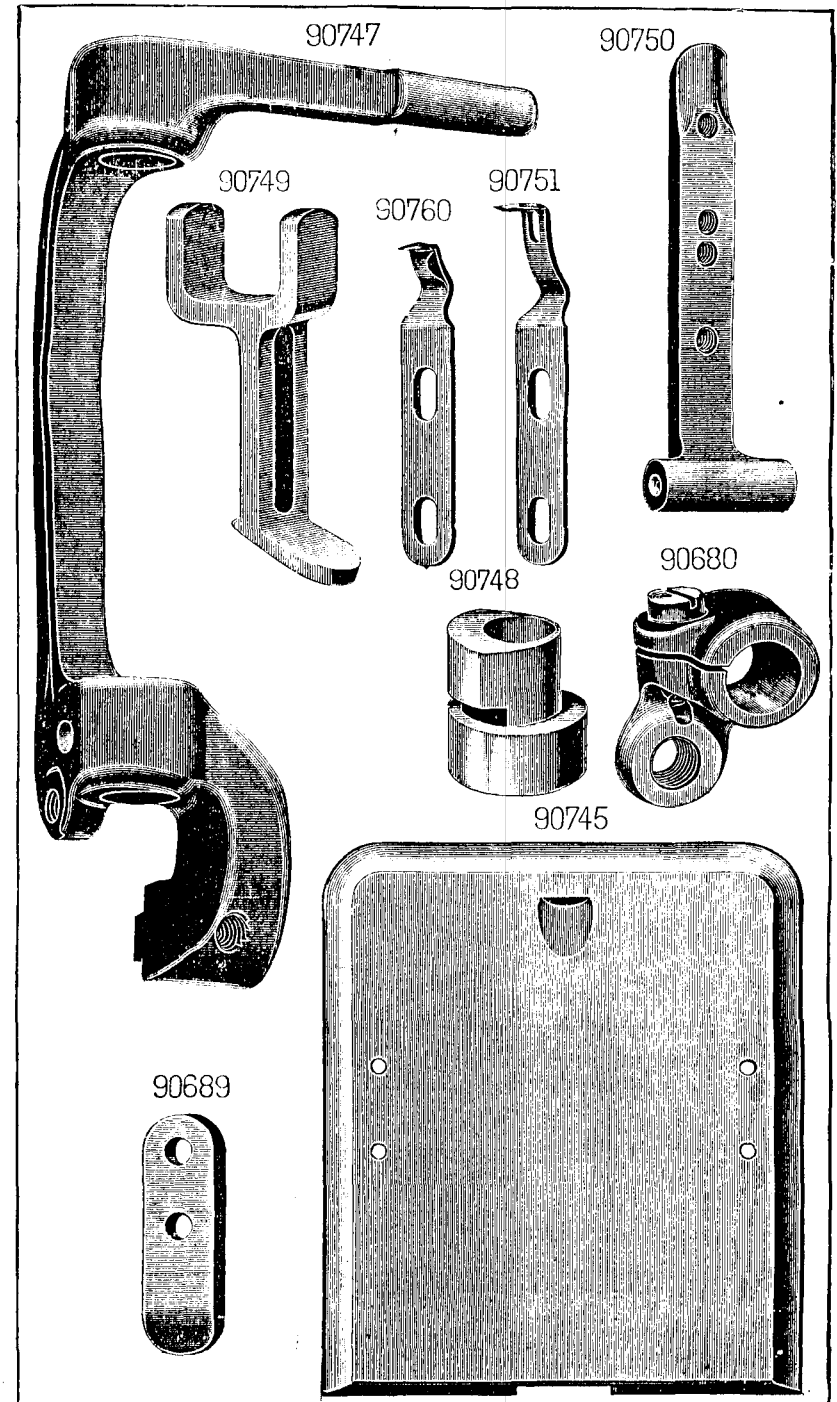
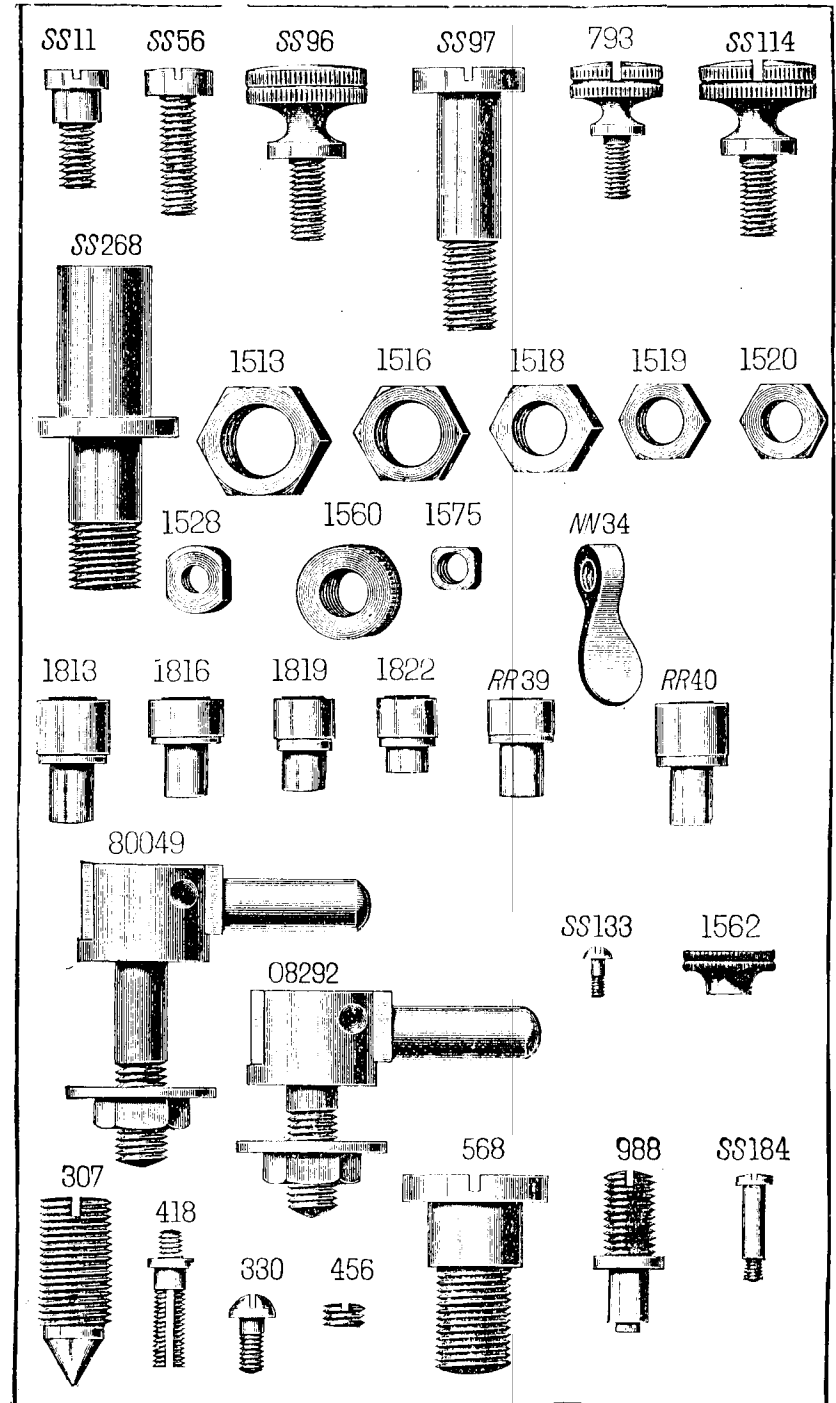
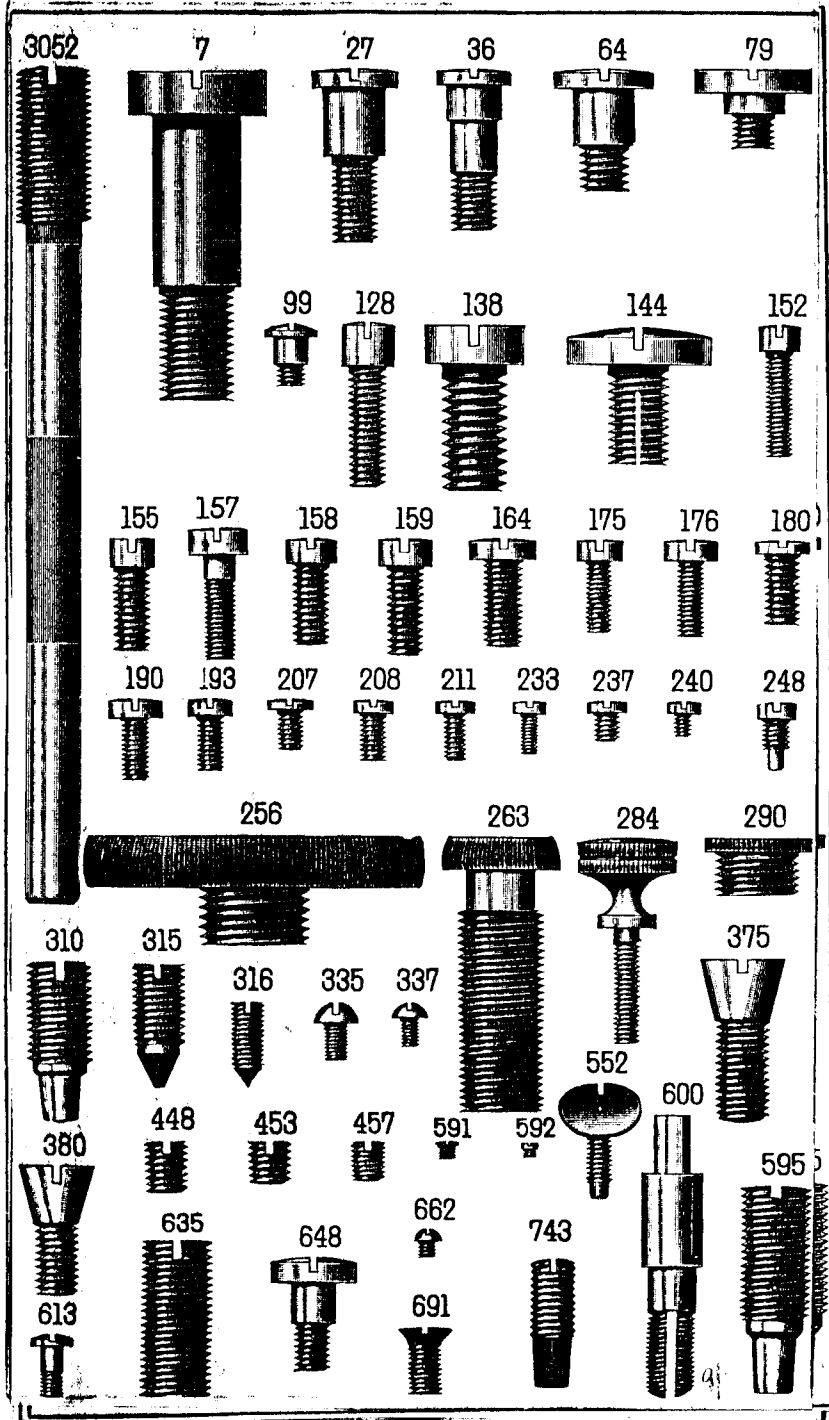


PLATE 355.

FULL SIZE.





ILLUSTRATED
 PRICE LIST OF PARTS
 FOR
 CLASS 33 K MACHINES.

CONTENTS.

	PAGES.
PARTS, Complete, for 33 K 28 and 33 K 29 Machines (Obsolete)	6 to 11
" " " 33 K 26 " 32 K 27 " (Obsolete)	12 to 18
" Special to 33 K 14 " 33 K 15 " (Obsolete)	19
" Complete, for 33 K 22 " 33 K 23 " (Obsolete)	20 to 25
" Special to 33 K 24 " 33 K 25 " (Obsolete)	26
" Complete, for 33 K 12 " 33 K 13 " (Obsolete)	27 to 31
" Special to 33 K 16 " 33 K 17 " (Obsolete)	32
" Complete, for 33 K 31 " 33 K 32 "	33 to 38
" Special to 33 K 33 " 33 K 34 "	39
" " 33 K 35 " 33 K 36 "	40
" Complete, for 33 K 37 " 33 K 38 "	41 to 47
" " 33 K 39 " 33 K 40 "	48 to 54
" Special to 33 K 41 " 33 K 42 "	55 & 56
" Complete, for 33 K 43 " 33 K 44 "	57 to 63
" Special to 33 K 45 " 33 K 46 "	64
" " 33 K 47 " 33 K 48 "	65
" " 33 K 49 " 33 K 50 "	66
" " 33 K 51 " 33 K 52 "	67
" " 33 K 53 " 33 K 54 "	68
" " 33 K 55 " 33 K 56 "	69
MACHINE HINGE,	70
ACCESSORIES,	70
BOBBIN WINDERS,	71
KNEE LIFTER,	72
STANDS,	73 to 78
NUMERICAL LIST OF PARTS,	81 to 104

ILLUSTRATED
PRICE LIST OF PARTS
 FOR
CLASS 33 K MACHINES

(Nos. 33 K 12 to 33 K 17, 33 K 22 to 33 K 29, and
 33 K 31 to 33 K 56.)

NEEDLES BEST ADAPTED

FOR THE

.CLASS 33K MACHINES.

MACHINES.	NEEDLES.	REMARKS.
33 K 12, 33 K 13.....	33 x 1 and 33 x 3.....
33 K 14, 33 K 15.....	16 x 73.....	.065 Wire Shank.
33 K 16, 33 K 17.....	33 x 1 and 33 x 3.....
33 K 22 to 33 K 29.....	16 x 73.....	.065 Wire Shank.
33 K 31, 33 K 32.....	33 x 1.....
33 K 33, 33 K 34.....	16 x 73.....	.065 Wire Shank.
33 K 35, 33 K 36.....	33 x 1 and 33 x 3.....
33 K 37 to 33 K 56.....	16 x 73.....	.065 Wire Shank.

33K12, 33K13.....	212 x 1 and 212 x 3.....
33K14, 33K15.....	16 x 73.....	.065 Wire Shank.
33K16, 33K17.....	212 x 1 and 212 x 3.....
33K22 to 33K29.....	16 x 73.....	.065 Wire Shank.
33K31, 33K32.....	212 x 1.....
33K33, 33K34.....	16 x 73.....	.065 Wire Shank.
33K35, 33K36.....	212 x 1 and 212 x 3.....
33K37 to 33K56.....	16 x 73.....	.065 Wire Shank.

In ordering from this List, use **ONLY** the **PART** Number as it appears in the first column.

Each Number always indicates the **SAME PART** in whatever List it appears, or for whatever Machine.

The letters after some of the Numbers indicate the style of finish only, as follows:

- A. Hardened, Polished and Plated.
- B. Polished and Plated.
- C. Hardened only.
- D. Polished only.
- E. Soft, not Polished.

These letters **MUST BE USED** when they appear in the List, and **AFTER** the Number, as in the List.

In this series

- 1 to 1500 are Screw Numbers.
- 1501 ,, 1800 ,, Nut ,,
- 1801 ,, 2000 ,, Roller ,,
- 02001 and upwards are Numbers of Machine Parts.

The prefix *SS* indicates Screws made only at Kilbowie.

,, ,, *NV* ,, Nuts made only at Kilbowie.

,, ,, *RR* ,, Rollers and Studs made only at Kilbowie.

An "0" prefixed to a Part indicates that it is common to E'port and Kilbowie Factories, but of Kilbowie manufacture.

Parts numbered from **80001 upwards** are made only at Kilbowie.

The figures in the second column refer only to the plates illustrating the parts, and are **NOT TO BE USED** in ordering.

Parts Complete

FOR

Nos. 33 K 28 & 33 K 29 Machines

(DROP FEED, FOR HEM-STITCHING.)

(OBSOLETE).

No.	Plate.		Old No.	Price.
90501	—	Arm	1	—
04389	—	" Dowel Pin (2)	4A/15K	1
90502	339	" Oil Guard Plate	5	2
335D	356	" " " Screw	—	1
90503	319	" Side Cover	2	2 6
284D	356	" " " Thumb Screw	—	5
138E	356	" Screw (2)	—	2½
02007	336	" Spool Pin	73/15 K	1
02802	319	Arm Shaft	5/15 K	4 2
90504	339	" " Bushing (Back) with 448c	3	4
02803	—	" " " (Front)	6A/15K	7½
448c	356	" " " Set Screw for 90504	—	1½
144p	356	" " " End Screw for 33 K 28 Mch.	—	4
80002	—	Balance Wheel for 33 K 29 Mch.	8L/15 K	3 0
90573	318	" " " with two 453c, for 33 K 28 Mch.	74	4 6
90505	326	" " " Gear Bushing for 33 K 29 Mch.	7	6 0
90574	326	" " " " " 33 K 28 Mch.	75	5 0
90506	336	" " " " " Pin	6	½
90507	339	" " " " " Collar for 80002	8	1 6
453c	356	" " " " " Set Screw	—	1
90508	—	Bed	10	—
266p	356	Clamp Stop Motion Clamp Sc. for 33 K 29 Mch.	—	1 3
248	356	" " " " " Stop Sc. for 33 K 29 Mch.	—	1
02020	335	" " " " " Washer for 33 K 29 Mch.	9D/15K	2½
02811	319	Crank Connecting Rod with 02812 and two 158E	13½/15K	2 8
02812	—	" " " " " Cap	14A/ "	—
158E	356	" " " " " Screw	—	1½
376c	356	" " " " " Hinge Screw	—	6
1518E	357	" " " " " Nut	—	2
90509	336	Face Plate	33	6 6
90510	—	" " " complete, Nos. 233D, 448c, 600, 1560D, 02108, 02124, 08238, 90509, 90570, 90661, and two each 02102 and 90568	—	8 6
315c	356	" " " Screw Centre	—	2
1510c	357	" " " " " Nut	—	1½

Nos. 33 K 28 and 33 K 29 Machines Parts.

7

No.	Plate.		Old No.	Price.
90511	327	Feed Bar	24	2 6
90512	339	" " Retaining Spring	26	3
190c	356	" " " " " Screw	—	1½
315c	356	" " " " " Screw Centre	—	2
1519E	357	" " " " " Nut	—	1½
90513	321	Feed Bell Crank with 1813	15	2 0
7D	356	" " " " " Hinge Screw	—	10
1813	357	" " " " " Roller and Stud	—	10
90514	326	Feed Cam Gear	11	12 0
SS 268c	357	" " " " " Screw Stud	—	1 3
1513c	357	" " " " " Nut	—	2½
90515	339	" " " " " Washer	12	4
357	356	" " " " " " " Screw	—	2
90516	318	" " " " " Cover for 33 K 29 Mch.	13	3 6
90575	318	" " " " " " " 33 K 28 Mch.	76	3 6
90517	339	" " " " " Bracket	14	6
207c	356	" " " " " " " Clamping Screw	—	1
180c	322	" " " " " " " Screw	—	1½
207c	356	" " " " " " " (for Binding to Bracket)	—	1
90518	339	Feed Connection with two 90519	16	6 0
08569	—	" " " " " Pin	24/29K	1
90519	339	" " " " " Slide Block	16A	9
90520	350	Feed Dog	27	1 9
208c	356	" " " " " Screw	—	1
90521	321	Feed Lift'g Bell Crank Lever with 1819	30	3 3
90522	336	" " " " " " " Connection with two 175c	31	2 0
175c	356	" " " " " " " " " Screw	—	1
27D	356	" " " " " " " " " Hinge Screw	—	5
1520p	357	" " " " " " " " " Nut	—	1½
1819	357	" " " " " " " " " Roller and Stud	—	10
310c	356	" " " " " " " " " Screw Centre	—	4
1516c	357	" " " " " " " " " Nut	—	2½
90523	319	Feed Lifting Rock Shaft	29	1 3
90524	—	" " " " " " " 90523 with 90525	28	3 0
27D	356	" " " " " " " Connection Hinge Screw	—	5
90525	338	" " " " " " " Crank with 157c & 90526	29A	1 9
157c	356	" " " " " " " " " Clamping Screw	—	2
90526	339	" " " " " " " " " Sliding Block	29B	9
595c	356	" " " " " " " " " Screw Centre	—	4
1513c	357	" " " " " " " " " Nut	—	2½
90527	339	Feed Regulator Bar	17	3 0
193D	356	" " " " " " " Binding Screw	—	1½
90528	339	" " " " " " " Swivel	18	9
166D	—	" " " " " " " Stop Screw	—	3½
SS 96D	357	" " " " " " " Thumb Screw	—	3

No.	Plate.		Old No.	Price.
SS 56D	357	Feed Regulating Stop Screw	—	1
NN 34D	357	" " " " Wing Nut	—	8
90529	339	" " " " Pad (Leather)	25	1
207c	356	" " " " " Screw	—	1
90530	350	" " " " " Washer	25A	½
90531	319	Feed Rock Shaft	20	1 6
90532	—	" " " " 90531 with 90533	19	3 9
90533	338	" " " " Crank with 207c	21	2 3
08575	336	" " " " " Pin	38/29K	1
207c	356	" " " " " Set Screw	—	1
595c	356	" " " " " Screw Centre	—	4
1513c	357	" " " " " Nut	—	2½
90534	348	" " " " " Spring	22	8
90535	339	" " " " " Adjusting Collar	23	2 6
207c	356	" " " " " " Screw	—	1
176c	356	" " " " " " Screw	—	1½
90536	338	Needle Bar	36	1 9
02052	336	" " " " Connection Stud with 155c	41/15K	1 0
155c	356	" " " " " Set Screw	—	1½
90537	339	" " " " " Connecting Link	37	1 0
380c	356	" " " " " " Hinge Screw	—	5
1520c	357	" " " " " " " Nut	—	1½
230E	356	" " " " " " Screw Bushing	—	3
08223	350	" " " " " " Thread Eyelet	44/15K	½
233D	356	" " " " " " " Screw	—	1
90538	350	Needle Clamp with 552c	38	6
1405NS 7/50	552c	" " " " " Thumb Screw	—	5
90544	338	Needle Hole Finger	43B	4 0
335D	356	" " " " " " Screw	—	1
90539	—	N'dle & Sh'tle Vib't'g Lever	39A	9 3
90540	321	" " " " " 90539 with RR40 & 90543	39	10 0
64D	356	" " " " " " Hinge Screw	—	6
90541	336	" " " " " " Regulator	40	2 6
SS 11D	357	" " " " " " " Hinge Screw	—	1
822.16-014026/3	336	" " " " " " " Stop Pin	11/29K	½
RR 40	357	" " " " " " " Roller and Stud	—	9
90542	336	" " " " " " " Spring	41	6
90543	—	" " " " " " " Hook	42	1
SS 114D	357	" " " " " " " Thumb Screw	—	3
180D	322	" " " " " " " Binding Screw (to fasten to face-plate)	—	1½

No.	Plate.		Old No.	Price.
04304	338	Osc' Rock Shaft (Steel Hardened) with 04784	—	4 2
03052	356	" " " " " Hinge Pin	—	2 0
1513c	357	" " " " " " Nut	—	2½
635c	356	" " " " " " " Screw Bearing	—	4
1513c	357	" " " " " " " " Nut	—	2½
04784	—	" " " " " " " Oil Pad	—	½
90545	319	Osc' Shuttle Shaft	45	3 6
90546	—	" " " " " 90545 with 90548	44	5 0
90547	336	" " " " " " Collar	48	4
07958	42	" " " " " " Pin	25 T.M.S.	½
90548	338	" " " " " " Crank with 207c and 1813	46	1 6
02049	336	" " " " " " " Pin	50/15K	½
1813	357	" " " " " " " Roller and Stud	—	10
207c	356	" " " " " " " Set Screw	—	1
90549	338	" " " " " " " Vibrating Yoke with 159c	47	3 0
159c	356	" " " " " " " " Clamping Screw	—	1½
90550	338	Presser Bar for 90557	49	1 6
02058	—	" " " " " 90561	52/15K	1 3
90551	336	" " " " " Spring Bracket with 453c	53D/,,	1 0
453c	356	" " " " " " Set Screw	—	1
02821	335	Presser Bar Lifter	55E/15K	10
36D	356	" " " " " " Screw	—	5
80011	336	Presser Bar Spring	57A/15K	2½
02070	336	" " " " " " Washer	58A/,,	½
263D	356	" " " " " " Thumb Screw	—	10
90552	343	Presser Foot Bracket	56	4 3
175D	356	" " " " " " Clamping Screw	—	1
90553	343	" " " " " " Leg (Left) Adjustable	57	2 3
90554	343	" " " " " " " Cap	58	3
99D	356	" " " " " " " " Screw	—	2½
90555	343	" " " " " " (Right)	59	2 3
335D	356	" " " " " " " " Screw	—	1
90556	343	" " " " " " " Spring	60	1
335D	356	" " " " " " " " Screw	—	1
90557	343	" " " " " " (Spring, Adjustable), complete, Nos. 175D, 90552 to 90556, two 99D, and three 335D	55	10 0
90558	343	Presser Foot Bracket	52	2 9
90559	343	" " " " " " Retainer	54	1 6
337D	356	" " " " " " " Screw	—	1
90560	343	" " " " " " Sole	53	1 6
613D	356	" " " " " " " Screw	—	1
793D	357	" " " " " " " Thumb Screw	—	4

Nos. 33 K 28 and 33 K 29 Machines Parts.

No.	Plate.		Old No.	Price.
90561	343	Presser Foot (Adjustable), complete, Nos. 90558 to 90560, two each 337D, and 613D	51	6 0
015100	—	Shuttle (Solid), 1 $\frac{1}{8}$ " diam., 02515 with 02518 and 015142	—	6 3
02515	—	" Body	—	3 0
02518	347	" Bobbin	—	2 $\frac{1}{2}$
015142	—	" " Case, complete, Nos. 591, 592E, 02523, 02975, 015027, 015098, and 015141	—	3 0
015141	—	" " " Hinge, complete, Nos. 02973, 02974, and 015140	—	1 0
015140	347	" " " Latch	—	5
02973	347	" " " " Lever	—	5
02374	347	" " " " Fulcrum Pin..... per 100	—	5
02375	347	" " " " Spring	—	1
592E	356	" " " " Stop Screw	—	1
015027	347	" " " " Position Finger	—	2 $\frac{1}{2}$
02523	—	" " " " Rivet..... per 100	—	1 0
015038	347	" Tension Spring	—	5
591	356	" " Regulating Screw	—	1
90562	348	Shuttle Race Body	127	4 6
128	350	" " " Screw	—	2
90563	348	" " " Back	127A	1 6
02532	347	" " " Position Pin..... per 100	—	5
02533	348	" " " Spring	—	6
648D	356	" " " " Screw	—	3 $\frac{1}{2}$
90564	348	" " " Cap	128	8
662D	356	" " " " Screw	—	1
90565	347	" " " complete, Nos. 648D, 02533, 90562 to 90564, two each 662D, and 02532	126	7 6
90566	347	Shuttle Race Carrier	64	5 0
90567	—	Shuttle Driver with two 457C	65	2 6
02049	336	" " " Pin	60/15K	$\frac{1}{2}$
457C	356	" " " Set Screw	—	1
015188	350	Shuttle Race Slide	—	1 0
015147	—	" " " " 015188 with 02824 and two 240	—	1 3
02824	350	" " " " Spring	—	2 $\frac{1}{2}$
240	356	" " " " Screw	—	1
600	356	Tension Screw Stud	—	5
448C	356	" " " " Set Screw	—	1 $\frac{1}{2}$
1560D	357	" " " " Thumb Nut	—	2
02102	335	Tension Disc	88/15K	2 $\frac{1}{2}$
08238	349	" " Spring	96/27K & 28K	2 $\frac{1}{2}$
90568	350	Thread Eyelet	35	1

Nos. 33 K 28 and 33 K 29 Machines Parts.

No.	Plate.		Old No.	Price.
02108	350	Thread Guard	36A/15K	$\frac{1}{2}$
02896	348	Thread Take-up Cam (Steel) with 448C and 1293C	—	4 2
448C	356	" " " " Set Screw	—	1 $\frac{1}{2}$
1293C	—	" " " " Timing Screw	—	2 $\frac{1}{2}$
90569	—	Thread Take-up Lever with 1822	77	2 0
527 79C	356	" " " " Hinge Screw	—	3
1822	357	" " " " Roller and Stud	—	10
02124	340	Thread Take-up Spring	—	1 $\frac{1}{2}$
90661	350	" " " " Regulator	95C/15K	2
233D	356	" " " " " Screw	—	1
90570	350	" " " " Staple	68	$\frac{1}{2}$
90571	350	Throat Plate for 90544	67	4 0
90572	350	" " (Plain Needle Slot)	67A	4 0
691D	356	" " Screw	—	2
80015	—	Wrench for 1519	99A/15K	7 $\frac{1}{2}$
08909	—	" " 1513	100/ " "	5

Parts Complete

FOR

Nos. 33 K 26 & 33 K 27 Machines

(DROP FEED, with THREAD-DIVIDING ATTACHMENT, for SPOKE HEM-STITCHING.)

(OBSOLETE).

No.	Plate.		Old No.	Price.
90501	—	Arm	1	—
04389	—	" Dowel Pin (2)	4A/15K	1
90502	339	" Oil Guard Plate	5	2
335D	356	" " " Screw	—	1
90503	319	" Side Cover	2	2 6
284D	356	" " Thumb Screw	—	5
138E	356	" Screw (2)	—	2½
02007	336	" Spool Pin	73/15K	1
02802	319	Arm Shaft	5/15K	4 2
90504	339	" " Bushing (Back) with 448c	3	4
02803	—	" " " (Front)	6A/15K	7½
448c	356	" " " Set Screw for 90504	—	1½
7/4 144p	356	" " " End Screw for 33 K 26 Mch.	—	4
80002	—	Balance Wheel for 33 K 27 Mch.	5L/15K	3 0
90573	318	" " with two 453c, for 33 K 26 Mch.	74	4 6
90505	326	" " Gear Bushing for 33 K 27 Mch.	7	6 0
90574	326	" " " " " 33 K 26 "	75	5 0
90506	336	" " " " Pin	6	1½
90507	339	" " " " Collar for 80002	8	1 6
453c	356	" " " Set Screw	—	1
90508	—	Bed	10	—
7/4 250A	356	Clamp Stop Motion Clamp Sc. for 33 K 27 Mch.	—	1 3
248	356	" " " " Stop Screw for 33K27 Mch.	—	1
02020	335	" " " " Washer for 33K27 Mch.	9D/15K	2½
02811	310	Crank Connecting Rod with 02812 and two 158E	131/15K	2 8
02812	—	" " " " Cap	14A/ "	—
158E	356	" " " " Screw	—	1½
375c	356	" " " " Hinge Screw	—	6
1518E	357	" " " " " Nut	—	2
90503	336	Face Plate	33	6 6
90510	—	" " complete, Nos. 233D, 448C, 600, 1560D, 02108, 02124, 08238, 90509, 90570, 90661, and two each 02102 and 90568	—	8 6
315c	356	" " Screw Centre	—	2
1519E	357	" " " " Nut	—	1½

Nos. 33 K 26 and 33 K 27 Machines Parts.

13

No.	Plate.		Old No.	Price.
90511	327	Feed Bar	24	2 6
90512	339	" " Retaining Spring	25	3
190c	356	" " " " Screw	—	1½
315c	356	" " Screw Centre	—	2
1519E	357	" " " " Nut	—	1½
90513	321	Feed Bell Crank with 1813	15	2 0
7D	356	" " " Hinge Screw	—	10
1813	357	" " " Roller and Stud	—	10
90514	326	Feed Cam Gear	11	12 0
SS 268c	357	" " " Screw Stud	—	1 3
1513c	357	" " " " " Nut	—	2½
90515	330	" " " " " Washer	12	4
164c	356	" " " " " Screw	—	2
90516	318	" " " Cover for 33 K 27 Mch.	13	3 6
90575	318	" " " " " 33 K 26 "	76	3 6
90517	339	" " " " Bracket	14	6
207c	356	" " " " Clamping Screw	—	1
180c	322	" " " " Screw	—	1½
207c	356	" " " " " (for Binding to Bracket)	—	1
90518	339	Feed Connection with two 90519	16	6 0
085c	—	" " Pin	24/28K	1
90519	339	" " Slide Block	16A	9
*125060	—	Feed Connection Slide Block Stud	—	—
90576	351	Feed Dog	80	1 9
208c	356	" " Screw	—	1
90521	321	Feed Lift'g Bell Crank Lever with 1819	30	3 3
90522	336	" " " " " Connection with two 175K	31	2 0
175c	356	" " " " " Screw	—	1
27D	356	" " " " " Hinge Screw	—	5
1520p	357	" " " " " " Nut	—	1½
1819	357	" " " " " Roller and Stud	—	10
310c	356	" " " " " Screw Centre	—	4
1516c	357	" " " " " " Nut	—	2½
90523	319	Feed Lifting Rock Shaft	29	1 3
90524	—	" " " " 90523 with 90525	28	3 0
27D	356	" " " " Connection Hinge Screw	—	5
90525	338	" " " " Crank with 157c & 90526	29A	1 9
157c	356	" " " " Clamping Screw	—	2
90526	339	" " " " Sliding Block	29B	9
595c	356	" " " " Screw Centre	—	4
1513c	357	" " " " " Nut	—	2½
90527	339	Feed Regulator Bar	17	3 0
193D	356	" " " Binding Screw	—	1½
90528	339	" " " Swivel	18	9
166D	—	" " " Stop Screw	—	3½
SS 96D	357	" " " Thumb Screw	—	3

No.	Plate.		Old No.	Price.
SS 56D	357	Feed Regulating Stop Screw	—	1
NN 34D	357	" " " " Wing Nut	—	8
90529	339	" " " " Pad (Leather)	25	1
207C	356	" " " " " Screw	—	1
90530	350	" " " " " Washer	25A	1/2
90531	319	Feed Rock Shaft	20	1 6
90532	—	" " " " 90531 with 90533	19	3 9
90533	338	" " " " Crank with 207c	21	2 3
08575	336	" " " " " Pin	38/29K	1
207C	356	" " " " " Set Screw	—	1
595C	356	" " " " " Screw Centre	—	4
1513C	357	" " " " " Nut	—	2 1/2
90534	348	" " " " " Spring	22	8
90535	339	" " " " " Adjusting Collar	23	2 6
207C	356	" " " " " " " Screw	—	1
176C	356	" " " " " " " Screw	—	1 1/2
90536	338	Needle Bar	36	1 9
02052	336	" " " " Connection Stud with 155c	41/15K	1 0
155C	356	" " " " " " Set Screw	—	1 1/2
90537	339	" " " " " " Connecting Link	37	1 0
380C	356	" " " " " " Hinge Screw	—	5
152C	357	" " " " " " " Nut	—	1 1/2
290E	356	" " " " " " " Screw Bushing	—	3
08223	350	" " " " " " Thread Eyelet	44/15K	1/2
233D	356	" " " " " " " Screw	—	1
90538	350	Needle Clamp with 552	38	6
140545 4/50 552	356	" " " " " " Thumb Screw	—	5
90539	—	N'dle & Sh'tle Vib't'g Lever	39A	9 3
90540	321	" " " " " " 90539 with RR40 & 90543	39	10 0
64D	356	" " " " " " Hinge Screw	—	6
90541	336	" " " " " " Regulator	40	2 6
SS 11D	357	" " " " " " Hinge Screw	—	1
82216 014026	336	" " " " " " Stop Pin	11/29K	1/2
RR 40	357	" " " " " " Roller and Stud	—	9
90542	336	" " " " " " Spring	41	6
90543	—	" " " " " " Hook	42	1
SS 114D	357	" " " " " " Thumb Screw	—	3
180D	322	" " " " " " Binding Screw (to fasten to Face Plate)	—	1 1/2
04304	338	Osc' Rock Shaft (Steel, Hardened), with 04784	—	4 2
03052	356	" " " " " " Hinge Pin	—	2 0
1513C	357	" " " " " " Nut	—	2 1/2
635C	356	" " " " " " Screw Bearing	—	4
1513C	357	" " " " " " " Nut	—	2 1/2
04784	—	" " " " " " Oil Pad	—	1/2

No.	Plate.		Old No.	Price.
90545	319	Osc' Shuttle Shaft	45	3-6
90546	—	" " " " 90545 with 90548	44	5 0
90547	336	" " " " " Collar	48	4
07958	42	" " " " " Pin	25 T.M.S.	1/2
90548	338	" " " " " Crank with 207c and 1813	46	1 6
02049	336	" " " " " " Pin	50/15K	1/2
1813	357	" " " " " Roller and Stud	—	10
207C	356	" " " " " " Set Screw	—	1
90549	338	" " " " " Vibrating Yoke with 159c	47	3 0
159C	356	" " " " " " " Clamping Screw	—	1 1/2
02058	—	Presser Bar	52/15K	1 3
90551	336	" " " " " Spring Bracket with 453c	53D/,,	1 0
453C	356	" " " " " " Set Screw	—	1
02821	335	Presser Bar Lifter	55E/15K	10
36D	356	" " " " " " Screw	—	5
80011	336	Presser Bar Spring	57A/15K	2 1/2
02070	336	" " " " " " Washer	58A/,,	1/2
283D	356	" " " " " " Thumb Screw	—	10
90577	346	Presser Foot Bracket	86	4 3
90578	—	" " " " " Retaining Sole	90	2 3
90579	346	" " " " " " Pin	91	1 1/2
90580	342	" " " " " " Spring	92	1
90581	—	" " " " " Sole	87	2 3
90582	346	" " " " " " Pin	89	1 1/2
90583	346	" " " " " " Spring	88	1
793D	357	" " " " " " Thumb Screw	—	4
90584	344	" " " " " (Hinged) Double complete, for First Seam, Nos. 90577 to 90583	85	10 0
90577	346	Presser Foot Bracket	86	4 3
90586	346	" " " " " Cloth Guide	95	6
335D	356	" " " " " " " Screw	—	1
90585	346	" " " " " Retaining Sole	94	2 3
90579	346	" " " " " " " Pin	91	1 1/2
90580	342	" " " " " " Spring	92	1
90581	—	" " " " " Sole	87	2 3
90582	346	" " " " " " Pin	89	1 1/2
90583	346	" " " " " " Spring	88	1
793D	357	" " " " " " Thumb Screw	—	4
90587	344	" " " " " (Hinged) Double complete, with Cloth Guide for First Seam (Hamburg), Nos. 335D, 90577, 90579 to 90583, 90585, & 90586	93	10 6
90588	346	Presser Foot Bracket	97	2 9
90589	346	" " " " " Sole	98	1 6
90590	346	" " " " " " Pin	99	1 1/2
90590	346	" " " " " " Stop Pin	99	1 1/2
793D	357	" " " " " " Thumb Screw	—	4
90583	346	Presser Foot Sole Spring

Nos. 33 K 26 and 33 K 27 Machines Parts.

No.	Plate.		Old No.	Price.
90591	344	Presser Foot (Hinged), Single, complete, for Second Seam, Nos. 90588, 90589, and two 90590 <i>1 1/2 90593</i>	96	6 0
90577	346	Presser Foot Bracket	86	4 3
90592	—	" " Retaining Sole	102	2 3
90579	346	" " " " Pin	91	1 1/2
90580	342	" " " " Spring	92	1
90593	—	" " Sole	101	2 3
90582	346	" " " Pin	89	1 1/2
90583	346	" " " Spring	88	1
793D	357	" " Thumb Screw	—	4
90594	344	" " (Hinged) Double complete, for Shire Work, Nos. 90577, 90579, 90580, 90582, 90583, 90592, and 90593	100	10 0
015100	—	Shuttle (Solid), 1 1/8" diam., 02515, with 02518 and 015142	—	6 3
02515	—	" Body	—	3 0
02518	347	" Bobbin	—	2 1/2
015142	—	" " Case complete, Nos. 591, 592E, 02523, 02975, 015027, 015098, and 015141	—	3 0
015141	—	" " " Hinge, complete, Nos. 02973, 02974, and 015140	—	1 0
015140	347	" " " Latch	—	5
02973	347	" " " " Lever	—	5
02974	347	" " " " Fulcrum Pin, per 100	—	5
02975	347	" " " " Spring	—	1
592E	356	" " " " Stop Screw	—	1
015027	347	" " " " Position Finger	—	2 1/2
02523	—	" " " " " Rivet per 100	—	1 0
015038	347	" Tension Spring	—	5
591	356	" " Regulating Screw	—	1
90562	348	Shuttle Race Body	127	4 6
<i>3/4 128</i>	356	" " " Screw	—	2
90563	348	" " Back	127A	1 6
02532	347	" " " Position Pin per 100	—	5
02533	348	" " " Spring	—	6
648D	356	" " " " Screw	—	3 1/2
90564	348	" " Cap	128	8
662D	356	" " " Screw	—	1
90565	347	" " complete, Nos. 648D, 02533, 90562 to 90564, two each 662D and 02532	126	7 6
90566	347	Shuttle Race Carrier	64	5 0
90567	—	Shuttle Driver with two 457c	53	2 6
02049	336	" " Pin	50/15K	1 1/2
457c	356	" " Set Screw	—	1

Nos. 33 K 26 and 33 K 27 Machines Parts.

No.	Plate.		Old No.	Price.
90595	341	Shuttle Race Slide	104	1 1
90596	341	" " " Spring Catch (left)	105	1 1/2
90597	341	" " " " " (right)	106	1 1/2
240	356	" " " " " Screw	—	1
90812	—	" " " 90595 with 90596, 90597, and two 240	103	1 3
600	356	Tension Screw Stud	—	5
418C	356	" " " Set Screw	—	1 1/2
1560D	357	" " " Thumb Nut	—	2
02102	335	Tension Disc	88/15K	2 1/2
08238	349	" Spring	96/27K & 28K	2 1/2
90568	350	Thread Eyelet	35	1
02108	350	Thread Guard	36A/15K	1 1/2
02836	348	Thread Take-up Cam (Steel) with 448c and 1293c	—	4 2
448c	356	" " " " Set Screw	—	1 1/2
1233c	—	" " " " Timing Screw	—	2 1/2
90563	—	Thread Take-up Lever with 1822	77	2 0
<i>79c</i>	356	" " " " Hinge Screw	—	3
1822	357	" " " " Roller and Stud	—	10
02124	349	Thread Take-up Spring	—	1 1/2
90661	350	" " " " Regulator	95c/15K	2
233D	356	" " " " " Screw	—	1
90570	350	" " " " Staple	68	1 1/2
90598	344	Thread Divider Rocking Frame	81	5 0
90599	326	" " " " Cam with 207c	83	2 0
207c	356	" " " " " Screw	—	1
90600	344	" " " " Spring	82	2
128c	356	" " " " Stop Screw	—	2
1528c	357	" " " " " " Nut	—	1 1/2
90601	344	" " " " Wedge Adjustment	84	1 0
88 114D	357	" " " " " " Thumb Screw	—	3
90602	344	Thread Divider Hinge Bar	108	3 0
90603	344	" " " " (Male)	109	2 0
90604	344	" " " " (Female)	109A	1 0
207D	356	" " " " " Screw	—	1
316c	356	" " " " " " Centre	—	1 1/2
1575D	357	" " " " " " Nut	—	1 1/2
90605	344	" " " Spur	111	2 6
207D	356	" " " " Screw	—	1
207D	356	" " " Screw	—	1

No.	Plate.		Old No.	Price.
90606	344	Thread Divider Wire Cap	110	3
207D	350	" " " " Screw	—	1
90607	—	Thread Divider, complete, Nos. 90602 to 90606 and two each 316c, 1575D, and five 207D	107	9 6
90608	351	Throat Plate (Hem Stitching, Fine Work)	112	4 0
90609	351	" " (" " Coarse Work and Spoking)	113	4 0
691D	356	" " Screw	—	2
80015	—	Wrench for 1519	99A/15K	7½
08909	—	" " 1513	100/ "	5

PARTS SPECIAL

TO

Nos. 33 K 14 and 33 K 15 MACHINES

(DROP FEED, with THREAD-DIVIDING ATTACHMENT, for LEFT-HAND SPOKE HEM-STITCHING.)

(Obsolete).

These Machines are the same as 33 K 26 and 33 K 27, with the following exceptions:—

No.	Plate.		Old No.	Price.
90610	—	Arm Side Cover	2A	2 6
90611	327	Feed Cam Gear	115	12 0
90612	—	N'dle & Sh'tle Vib't'g Lever	116A	9 3
90613	321	" " " " 90612 with 1816 & 90543	116	10 0
90614	341	" " " " Regulator	40A	2 6
1816	357	" " " " Stop Pin	11/29 K	1
90615	351	" " " " Roller and Stud	—	10
90615	351	" " " " Spring Eyelet	117	1
90616	351	Thread Divider Spur	119	2 6
90813	—	" " " " complete, Nos. 90602 to 90604, 90606, 90616, two each 316c, 1575D, and five 207D	—	9 6
90617	351	Throat Plate	120	4 0

Parts Complete

FOR

Nos. 33 K 22 & 33 K 23 Machines

(DROP FEED for GENERAL HEM-STITCHING, with TOP PUNCHES and OPEN NEEDLE SIDE-SHIFT CAM, with Adjustment towards the Hem.)

(OBSOLETE.)

No.	Plate.		Old No.	Price.
90618	—	Arm	1A	—
04389	—	" Dowel Pin (2)	4A/15 K	1
90502	339	" Oil Guard Plate	5	2
335D	356	" " " Screw	—	1
90503	319	" Side Cover	2	2 6
284D	356	" " " Thumb Screw	—	5
138E	356	" Screw (2)	—	2 1/2
02007	336	" Spool Pin	73/15 K	1
02802	319	Arm Shaft	5/15 K	4 2
90504	339	" " Bushing (back) with 448c	3	4
02803	—	" " " (front)	6A/15 K	7 1/2
448c	356	" " " Set Screw for 90504	—	1 1/2
1/4 144p	356	" " End Screw for 33 K 22 Mch.	—	4
80002	—	Balance Wheel for 33 K 23 Mch.	8L/15 K	3 0
90573	318	" " with two 453c, for 33 K 22 Mch.	74	4 6
90505	326	" " Gear Bushing for 33 K 23 Mch.	7	6 0
90574	326	" " " " " 33 K 22 "	75	5 0
90506	336	" " " " " Pin	6	1 1/2
90507	339	" " " " " Collar for 80002	8	1 6
453c	356	" " " Set Screw	—	1
90508	—	Bed	10	—
256A	356	Clamp Stop Motion Clamp Sc. for 33 K 23 Mch.	—	1 3
248	356	" " " " Stop Screw for 33 K 23 Mch.	—	1
02020	335	" " " " Washer for 33 K 23 Mch.	9D/15 K	2 1/2
02811	319	Crank Connecting Rod with 02812 and two 158E	134/15 K	2 8
02812	—	" " " " Cap	14A/ "	—
158E	356	" " " " " Screw	—	1 1/2
375c	356	" " " " " Hinge Screw	—	6
1518E	357	" " " " " Nut	—	2
90509	336	Face Plate	33	6 6
90510	—	" " complete, Nos. 233D, 448c, 600, 1560D, 02108, 02124, 08238, 90509, 90570, 90661, and two each 02102 and 90568	—	8 6
315c	356	" " " " " Screw Centre	—	2
1519E	357	" " " " " Nut	—	1 1/2

No.	Plate.		Old No.	Price.
90511	327	Feed Bar	24	2 6
90512	339	" " Retaining Spring	26	3
190c	356	" " " " " Screw	—	1 1/2
315c	356	" " " " " Screw Centre	—	2
1519E	357	" " " " " Nut	—	1 1/2
90513	321	Feed Bell Crank with 1813	15	2 0
7D	356	" " " " " Hinge Screw	—	10
1813	357	" " " " " Roller and Stud	—	10
90514	326	Feed Cam Gear	11	12 0
SS 268c	357	" " " " " Screw Stud	—	1 3
1513c	357	" " " " " Nut	—	2 1/2
90515	339	" " " " " Washer	12	4
SS 578	144c	" " " " " Screw	—	2
90516	318	" " " " " Cover for 33 K 23 Mch.	13	3 6
90575	318	" " " " " " 33 K 22 "	76	3 6
90517	339	" " " " " Bracket	14	6
207c	356	" " " " " Clamping Screw	—	1
180c	322	" " " " " Screw	—	1 1/2
207c	356	" " " " " " (for Binding to Bracket)	—	1
90518	339	Feed Connection with two 90519	16	6 0
08569	—	" " " " " Pin	24/29 K	1
90519	339	" " " " " Slide Block	16A	9
* 125060	—	Feed Connection Slide Block Stud	—	1 5/8
90619	351	Feed Dog	122	1 9
268c	356	" " " " " Screw	—	1
90521	321	Feed Lifting Bell Crank Lever with 1819	30	3 3
90522	336	" " " " " " Connection with two 175A	31	2 0
175B	356	" " " " " " " Screw	—	1
27D	356	" " " " " " " Hinge Screw	—	5
1520A	357	" " " " " " " Nut	—	1 1/2
1819	357	" " " " " " " Roller and Stud	—	10
310c	356	" " " " " " " Screw Centre	—	4
1516c	357	" " " " " " " Nut	—	2 1/2
90523	319	Feed Lifting Rock Shaft	29	1 3
90524	—	" " " " " " 90523 with 90525	28	3 0
27D	356	" " " " " " " Connection Hinge Screw	—	5
90525	338	" " " " " " " Crank with 157c & 90526	29A	1 9
157c	356	" " " " " " " Clamping Screw	—	2
90526	339	" " " " " " " Sliding Block	29B	9
595c	356	" " " " " " " Screw Centre	—	4
1513c	357	" " " " " " " Nut	—	2 1/2
90527	339	Feed Regulator Bar	17	3 0
193D	356	" " " " " " " Binding Screw	—	1 1/2
90528	339	" " " " " " " Swivel	18	9
166D	—	" " " " " " " Stop Screw	—	3 1/2
SS 99D	357	" " " " " " " Thumb Screw	—	3

No.	Plate.		Old No.	Price.
SS 56D	357	Feed Regulating Stop Screw	—	1
NN 31D	357	" " " " Wing Nut	—	8
90529	339	" " " " Pad (Leather)	25	1
207c	356	" " " " " Screw	—	1
90530	350	" " " " " Washer	25A	½
90531	319	Feed Rock Shaft	20	1 6
90532	—	" " " " 90531 with 90533	19	3 9
90533	338	" " " " Crank, with 207c	21	2 3
08575	336	" " " " " Pin	38/29 K	1
207c	356	" " " " " Set Screw	—	1
595c	356	" " " " " Screw Centre	—	4
1513c	357	" " " " " Nut	—	2½
90534	348	" " " " " Spring	22	8
90535	339	" " " " " Adjusting Collar	23	2 6
207c	356	" " " " " " Screw	—	1
176c	356	" " " " " " Screw	—	1½
90536	338	Needle Bar	36	1 9
02052	336	" " " " Connection Stud with 155c	41/15 K	1 0
155c	356	" " " " " Set Screw	—	1½
90537	339	" " " " " Connecting Link	37	1 0
380c	356	" " " " " Hinge Screw	—	5
15200	357	" " " " " " Nut	—	1½
290E	356	" " " " " Screw Bushing	—	3
08223	350	" " " " " Thread Eyelet	44/15 K	½
233D	356	" " " " " " Screw	—	1
90538	350	Needle Clamp, with 552 R 1/4 140545 7/8	38	6
140545 7/8	356	" " " " " Thumb Screw	—	5
90539	—	Needle & Shuttle Vib't'g Lever	39A	9 3
90540	321	" " " " " 90539 with RR40 and 90543	39	10 0
64D	356	" " " " " Hinge Screw	—	6
90541	336	" " " " " Regulator	40	2 6
SS 11D	357	" " " " " Hinge Screw	—	1
§ 221/6	014026 3/4	" " " " " Stop Pin	11/29 K	½
RR 40	357	" " " " " Roller and Stud	—	9
90542	336	" " " " " Spring	41	6
90543	—	" " " " " Hook	42	1
SS 114D	357	" " " " " Thumb Screw	—	3
180D	322	" " " " " Binding Screw (to fasten to Face Plate)	—	1½
04304	338	Osc' Rock Shaft (Steel, Hardened) with 04784	—	4 2
03052	356	" " " " " Hinge Pin	—	2 0
1513c	357	" " " " " Nut	—	2½
635c	356	" " " " " Screw Bearing	—	4
1513c	357	" " " " " " Nut	—	2½
04784	—	" " " " " Oil Pad	—	½

No.	Plate.		Old No.	Price.
90545	319	Osc' Shuttle Shaft	45	3 6
90546	—	" " " " 90545 with 90548	41	5 0
90547	336	" " " " " Collar	48	4
07958	42	" " " " " Pin	25 T.M.S.	½
90548	338	" " " " " Crank with 207c and 1813	46	1 6
02049	336	" " " " " Pin	50/15 K	½
1813	357	" " " " " Roller and Stud	—	10
207c	356	" " " " " Set Screw	—	1
90549	338	" " " " " Vibrating Yoke with 159c	47	3 0
159c	356	" " " " " " Clamping Screw	—	1½
90550	338	Presser Bar	49	1 6
90551	336	" " " " Spring Bracket with 453c	53D/15 K	1 0
453c	356	" " " " " Set Screw	—	1
02821	335	Presser Bar Lifter	55E/15 K	10
36D	356	" " " " " Screw	—	5
80011	336	Presser Bar Spring	57A/15 K	2½
02070	336	" " " " " Washer	58A/ "	½
263D	356	" " " " " Thumb Screw	—	10
90552	343	Presser Foot Bracket	56	4 3
175D	356	" " " " " Clamping Screw	—	1
90620	346	" " " " " Leg (Left) (Adjustable)	124	2 3
90554	343	" " " " " " Cap	58	3
99D	356	" " " " " " Screw	—	2½
90621	346	" " " " " (Right)	125	2 3
335D	356	" " " " " " Screw	—	1
90556	343	" " " " " Spring	60	1
335D	356	" " " " " " Screw	—	1
90622	343	" " " " " (Spring Adjustable), complete, Nos. 175D, 90552, 90554, 90556, 90620, 90621, two 99D, & three 335D	123	10 0
015100	—	Shuttle (Solid), 1¼" diam., 02515 with 02518 and 015142	—	6 3
02515	—	" " " " " Body	—	3 0
02518	347	" " " " " Bobbin	—	2½
015142	—	" " " " " Case complete, Nos. 591, 592E, 02523, 02975, 015027, 015098, and 015141	—	3 0
015141	—	" " " " " Hinge complete, Nos. 02973, 02974, and 015140	—	1 0
015140	347	" " " " " Latch	—	5
02973	347	" " " " " Lever	—	5
02974	347	" " " " " Fulcrum Pin..... per 100	—	5
02975	347	" " " " " Spring	—	1
592E	356	" " " " " Stop Screw	—	1
015027	347	" " " " " Position Finger	—	2½
02523	—	" " " " " Rivet..... per 100	—	1 0
015098	347	" " " " " Tension Spring	—	5
591	356	" " " " " Regulating Screw	—	1

No.	Plate.		Old No.	Price.
90562	348	Shuttle Race Body	127	4 0
128	356	" " " Screw	—	2
90563	348	" " Back	127A	1 6
02532	347	" " " Position Pin	—	5
02533	348	" " " Spring	—	6
648D	356	" " " " Screw	—	3½
90564	348	" " Cap	128	8
662D	356	" " " Screw	—	1
90565	347	" " complete, Nos. 648D, 02533, 90562 to 90564, two each 662D and 02532	126	7 6
90566	347	Shuttle Race Carrier	64	5 0
90567	—	Shuttle Driver with two 457c	65	2 6
02049	336	" " Pin	50/15 K	½
457c	356	" " Set Screw	—	1
015188	350	Shuttle Race Slide	—	1 0
015147	—	" " " 015188 with 02824 and two 240	—	1 3
02824	350	" " " Spring	—	2½
240	356	" " " " Screw	—	1
600	356	Tension Screw Stud	—	5
448c	356	" " " Set Screw	—	1½
1560D	357	" " " Thumb Nut	—	2
02102	335	Tension Disc	88/15 K	2½
08238	349	" Spring	96/27K & 23K	2½
90568	350	Thread Eyelet	35	1
02108	350	Thread Guard	36A/15 K	½
02896	348	Thread Take-up Cam (Steel) with 448c and 1293c	—	4 2
448c	356	" " " " Set Screw	—	1½
1293c	—	" " " " Timing Screw	—	2½
90569	—	Thread Take-up Lever with 1822	77	2 0
50527	356	" " " " Hinge Screw	—	3
1822	357	" " " " Roller and Stud	—	10
02124	349	Thread Take-up Spring	—	1½
90661	350	" " " " Regulator	95c/15 K	2
233D	356	" " " " " Screw	—	1
90570	350	" " " " Staple	68	½
90623	341	Top Punch Bar	133	1 9
90624	341	" " " Hub with two 175c	134	1 0
175c	356	" " " " Adjusting Screw	—	1
453c	356	" " " " Set Screw	—	1

No.	Plate.		Old No.	Price.
90625	341	Top Punch Connection Cam with 448c	18/15K.C.S.	3 0
448c	356	" " " " Set Screw	—	1½
90626	341	" " " Link (Adjustable) with 175c, 90627 and two 158K	132	4 6
175c	356	" " " " Adjusting Screw	—	1
90627	—	" " " " Cap	135	—
158K	356	" " " " " Screw	—	1½
27D	356	" " " " Hinge Screw	—	5
90628	341	" " Guide Block with two 237c	136	2 6
90629	341	" " " " Cap	137	6
208D	356	" " " " " Screw	—	1
237c	356	" " " " " Screw	—	1
90630	321	" " Rock Shaft with 90526	138	5 0
310c	356	" " " " Screw Centre	—	4
1516c	357	" " " " " Nut	—	2½
90526	339	" " " " Sliding Block	29B	9
90631	341	" " Yoke with 193c	139	3 6
193c	356	" " " Adjusting Screw	—	1½
90632	341	Top Punch (Flat) nearest Operator	140	7½
90633	341	" " (Triangular) Centre Punch	140A	7½
90634	341	" " (") Left Side of Needle	140B	7½
90635	341	" " (Grooved)	140C	7½
237c	356	" " Screw	—	1
90636	351	Throat Plate (for Solid Punches)	129	4 0
90637	348	" " (for Grooved Punches)	130	4 0
691D	356	" " " Screw	—	2
80015	—	Wrench for 1519	99A/15 K	7½
08909	—	" for 1513	100/ "	5

Parts Complete

FOR

Nos. 33 K 12 & 33 K 13 Machines

(DROP FEED for REVERE HEM-STITCHING.)

(OBSOLETE.)

PARTS SPECIAL

TO

Nos. 33 K 24 and 33 K 25 MACHINES

(DROP FEED for HANDKERCHIEF HEM-STITCHING, with TOP PUNCHES and CLOSE NEEDLE SIDE-SHIFT CAM.)

(Obsolete.)

These Machine are the same as 33 K 22 and 33 K 23 (except No. 90541, which is not used on these Machines), with the following exceptions:—

No.	Plate.		Old No.	Price.
90610	—	Arm Side Cover	2A	2 6
90638	335	Feed Cam Gear	142	10 0
90639	322	N'dle & Sh'tle Vib't'g Lever with RR39.....	143	10 0
RR 39	357	" " " " Roller and Stud.....	—	9
90640	335	" " " " Cam	144	4 0
152c	356	" " " " " Binding Screw	—	1½

No.	Plate.		Old No.	Price.
90641	—	Arm	1B	—
04389	—	" Dowel Pin (2)	4A/15 K	1
90502	339	" Oil Guard Plate.....	5	2
335D	356	" " " " Screw	—	1
90610	—	" Side Cover.....	2A	2 6
284D	356	" " " Thumb Screw	—	5
138E	356	" Screw (2).....	—	2½
02007	336	" Spool Pin	73/15 K	1
02802	319	Arm Shaft	5/15 K	4 2
90642	339	" " Bushing (Back) with 448c.....	3A	4
02803	—	" " " (Front)	6A/15 K	7½
448c	356	" " " Set Screw for 90642.....	—	1½
144p	356	" " End Screw for 33 K 12 Mch.	—	4
80002	—	Balance Wheel for 33 K 13 Mch.	8L/15 K	3 0
90573	318	" " with two 453c, for 33 K 12 Mch.....	74	4 6
90643	339	" " Gear Bushing for 33 K 13 Mch.....	7A	6 0
90649	327	" " " " 33 K 12 "	75A	5 0
90506	336	" " " " Pin	6	½
90507	339	" " " " Collar for 80002.....	8	1 6
453c	356	" " Set Screw	—	1
90578	—	Bed	10	—
256b	356	Clamp Stop Motion Clamp Sc. for 33 K 13 Mch....	—	1 3
248	356	" " " " Stop Sc. for 33 K 13 Mch.....	—	1
02020	335	" " " " Washer for 33 K 13 Mch.....	9D/15 K	2½
02811	319	Crank Connecting Rod with 02812 and two 158E	13½/15 K	2 8
02812	—	" " " Cap.....	14A/ " "	—
158E	356	" " " " Screw	—	1½
377c	356	" " " " Hinge Screw.....	—	6
1518E	357	" " " " " Nut	—	2
90509	336	Face Plate	33	6 6
90510	—	" " complete, Nos. 233D, 448c, 600, 1560D, 02108, 02124, 08238, 90509, 90570, 90661, and two each 02102 and 90568	—	8 6
315c	356	" " Screw Centre.....	—	2
1519k	357	" " " " Nut	—	1½

No.	Plate.		Old No.	Price.
90511	327	Feed Bar	24	2 6
90512	339	" " Retaining Spring	26	3
190c	356	" " " " Screw	—	1½
315c	356	" " Screw Centre	—	2
1519E	357	" " " " Nut	—	1½
90513	321	Feed Bell Crank with 1813	15	2 0
7D	356	" " " Hinge Screw	—	16
1813	357	" " " Roller and Stud	—	10
90644	—	Feed Cam Gear	—	12 0
SS 268c	357	" " " Screw Stud	—	1 3
1513c	357	" " " " " Nut	—	2½
90515	339	" " " " " Washer	12	4
55578 104c	356	" " " " " Screw	—	2
90516	318	" " " Cover for 33 K 13 Mch.	13	3 6
90575	318	" " " " " 33 K 12 Mch.	76	3 6
90517	339	" " " " " Bracket	71	6
207c	356	" " " " " Clamping Screw	—	1
180c	322	" " " " " Screw	—	1½
207c	356	" " " " " (for Binding to Bracket)	—	1
90518	339	Feed Connection with two 90519	16	6 0
08569	—	" " " Pin	24/29 K	1
90519	339	" " " Slide Block	16A	9
12/38 *125060	—	Feed Connection Slide Block Stud	—	—
90645	339	Feed Dog	146	1 9
208c	356	" " Screw (2)	—	1
90646	319	Feed Lifting Rock Shaft	148	1 3
90647	—	" " " " " 90646 with 90525	147	3 0
27D	356	" " " " " Connection Hinge Screw	—	5
90525	338	" " " " " Crank with 157c & 90526	29A	1 9
157c	356	" " " " " Clamping Screw	—	2
90526	339	" " " " " Sliding Block	29B	9
595c	356	" " " " " Screw Centre	—	4
1513c	357	" " " " " " " Nut	—	2½
90627	339	Feed Regulator Bar	17	3 0
193D	356	" " " " " Binding Screw	—	1½
90528	339	" " " " " Swivel	18	9
166D	—	" " " " " Stop Screw	—	3½
SS 96D	357	" " " " " Thumb Screw	—	3
SS 56D	357	Feed Regulating Stop Screw	—	1
NN 34D	357	" " " " " Wing Nut	—	8
90529	339	" " " " " Pad (Leather)	25	1
207c	356	" " " " " " Screw	—	1
90530	350	" " " " " " Washer	25A	1

No.	Plate.		Old No.	Price.
90531	319	Feed Rock Shaft	20	1 6
90532	—	" " " " 90531 with 90533	19	3 9
90533	338	" " " " Crank with 207c	21	2 3
08575	336	" " " " " Pin	38/29 K	1
207c	356	" " " " " Set Screw	—	1
595c	356	" " " " " Screw Centre	—	4
1513c	357	" " " " " " " Nut	—	2½
90534	348	" " " " " Spring	22	8
90535	339	" " " " " Adjusting Collar	23	2 6
207c	356	" " " " " " " Screw	—	1
176c	356	" " " " " " " Screw	—	1½
90536	338	Needle Bar	36	1 9
02032	336	" " Connection Stud with 155c	41/15 K	1 0
155c	356	" " " " " Set Screw	—	1½
90537	339	" " " " " Connecting Link	37	1 0
380c	356	" " " " " Hinge Screw	—	5
1520E	357	" " " " " " " Nut	—	1½
290E	356	" " " " " Screw Bushing	—	3
08223	350	" " " " " Thread Eyelet	41/15 K	1
233D	356	" " " " " " " Screw	—	1
90538	350	Needle Clamp with 559c	38	6
559c	356	" " " " " Thumb Screw	—	5
90648	349	Needle Hole Finger	43c	4 0
335D	356	" " " " " Screw	—	1
90612	—	N'dle & Sh'tle Vib't'g Lever	116A	9 3
90613	321	" " " " " " 90612 with 1816 and 90543	116	10 0
64D	356	" " " " " Hinge Screw	—	6
90614	341	" " " " " Regulator	40A	2 6
SS 11D	357	" " " " " " Hinge Screw	—	1
014026 1/2	336	" " " " " " Stop Pin	11/29 K	1
1816	357	" " " " " Roller and Stud	—	10
90542	336	" " " " " Spring	41	6
90543	—	" " " " " " Hook	42	1
90615	—	" " " " " " Eyelet	117	1
SS 114D	357	" " " " " Thumb Screw	—	3
180D	322	" " " " " Binding Screw (to fasten to Face Plate)	—	1½
04304	338	Osc' Rock Shaft (Steel, Hardened) with 04784	—	4 2
03052	356	" " " " " Hinge Pin	—	2 0
1513c	357	" " " " " " Nut	—	2½
635c	356	" " " " " " Screw Bearing	—	4
1513c	357	" " " " " " " Nut	—	2½
04784	—	" " " " " Oil Pad	—	1

No.	Plate.		Old No.	Price.
90545	319	Osc' Shuttle Shaft	45	3 6
90546	—	" " " 90545 with 90548	44	5 0
90547	336	" " " Collar	48	4
07958	42	" " " " Pin	25 T.M.S.	1 1/2
90548	338	" " " Crank with 207c and 1813	46	1 6
02049	336	" " " " Pin	50/15 K	1 1/2
1813	357	" " " " Roller and Stud	—	10
207c	356	" " " " Set Screw	—	1
90549	338	" " " Vibrating Yoke with 159c	47	3 0
159c	356	" " " " " Clamping Screw	—	1 1/2
90550	338	Presser Bar	49	1 6
90551	336	" " Spring Bracket with 453c	53D/15 K	1 0
453c	356	" " " " Set Screw	—	1
02821	335	Presser Bar Lifter	55E/15 K	10
36D	356	" " " " Screw	—	5
80011	336	Presser Bar Spring	57A/15 K	2 1/2
02070	336	" " " Washer	58A/ "	1 1/2
263D	356	" " " " Thumb Screw	—	10
90552	343	Presser Foot Bracket	56	4 3
175D	356	" " " " Clamping Screw	—	1
90553	343	" " " Leg (Left) Adjustable	57	2 3
90554	343	" " " " Cap	58	3
99D	356	" " " " " Screw	—	2 1/2
90555	343	" " " " (Right)	59	2 3
335D	356	" " " " " Screw	—	1
90556	343	" " " Spring	60	1
335D	356	" " " " " Screw	—	1
90557	343	" " " (Spring, Adjustable), complete, Nos. 175D, 90552 to 90556, two 99D, and three 335D	55	10 0
015100	—	Shuttle (Solid), 1 1/8" diam., 02515 with 02518 and 015142	—	6 3
02515	—	" " Body	—	3 0
02518	347	" " Bobbin	—	2 1/2
015142	—	" " Case complete, Nos. 591, 592E, 02523, 02975, 015027, 015098, and 015141	—	3 0
015141	—	" " Case Hinge complete, Nos. 02973, 02974, and 015140	—	1 0
015140	347	" " " Latch	—	5
02973	347	" " " " Lever	—	5
02974	347	" " " " " Fulcrum Pin... per 100	—	5
02975	347	" " " " " Spring	—	1
592E	356	" " " " " Stop Screw	—	1
015027	347	" " " " " Position Finger	—	2 1/2
02523	—	" " " " " Rivet... per 100	—	1 0
015098	347	" " Tension Spring	—	5
591	356	" " Regulating Screw	—	1

No.	Plate.		Old No.	Price.
90562	348	Shuttle Race Body	127	4 6
128	356	" " " " Screw	—	2
90563	348	" " " " Back	127A	1 6
02532	347	" " " " Position Pin... per 100	—	5
02533	348	" " " " Spring	—	6
648D	356	" " " " " Screw	—	3 1/2
90564	348	" " " Cap	128	8
662D	356	" " " " " Screw	—	1
90565	347	" " " complete, Nos. 648D, 02533, 90562 to 90564, two each 662D and 02532	126	7 6
90566	347	Shuttle Race Carrier	64	5 0
90567	—	Shuttle Driver with two 457c	65	2 6
02049	336	" " " Pin	50/15 K	1 1/2
457c	356	" " " " " Set Screw	—	1
015188	350	Shuttle Race Slide	—	1 0
015147	—	" " " " 015188 with 02824 and two 240	—	1 3
02824	350	" " " " Spring	—	2 1/2
240	356	" " " " " Screw	—	1
600	356	Tension Screw Stud	—	5
448c	356	" " " " " Set Screw	—	1 1/2
1560D	357	" " " " " Thumb Nut	—	2
02102	335	Tension Disc	88/15 K	2 1/2
08238	349	" " Spring	96/27K & 28K	2 1/2
90568	350	Thread Eyelet	35	1
02108	350	Thread Guard	36A/15 K	1 1/2
02896	348	Thread Take-up Cam (Steel) with 448c and 1293c	—	4 2
448c	356	" " " " " Set Screw	—	1 1/2
1293c	—	" " " " " Timing Screw	—	2 1/2
90569	—	Thread Take-up Lever with 1822	77	2 0
79c	356	" " " " " Hinge Screw	—	3
1822	357	" " " " " Roller and Stud	—	10
02124	349	Thread Take-up Spring	—	1 1/2
90661	350	" " " " " Regulator	95c/15 K	2
233D	356	" " " " " " " Screw	—	1
90570	350	" " " " " Staple	68	1 1/2
90571	350	Throat Plate (for 90648)	67	4 0
90572	350	" " " (Plain Needle Slot)	67A	4 0
691D	356	" " " " " Screw	—	2
80015	—	Wrench for 1519	99A/15 K	7 1/2
08909	—	" " " 1513	100/ "	5

PARTS SPECIAL

TO

Nos. 33 K 16 and 33 K 17 MACHINES.

(DROP FEED, for REVERE HEM-STITCHING, with ADJUSTABLE LIFTING or STATIONARY PRESSER and CORD GUIDE PRESSER FOOT.)

(Obsolete.)

These Machines are the same as 33 K 12 and 33 K 13, with the following exceptions :-

No.	Plate.	Old No.	Price.
90650	319	119	2 0
SS 97D	357	—	4
1518E	357	—	2
90651	339	150	9
793D	357	—	4
90552	343	56	4 3
175D	356	—	1
90652	343	152	2 9
337D	356	—	1
90653	343	153	3
99D	356	—	2 1/2
90654	343	154	2 3
335D	356	—	1
90556	343	68	1
335D	356	—	1
90655	343	151	10 6
90650	—	—	8 6
90644	—	—	12 0
90658	328	145	14 0
1816	357	—	10
90659	—	157	9 3
90660	322	156	10 0

Parts Complete

FOR

Nos. 33 K 31 and 33 K 32 Machines

(DROP FEED FOR REVERE HEM-STITCHING).

No.	Plate.	Old No.	Price.
90662	—	1c	—
04389	—	4A/15 K	1
90502	330	5	2
335D	336	—	1
90663	330	2B	2 6
234D	336	—	5
138E	336	—	2 1/2
02007	336	73/15 K	1
02334	—	—	1
90664	333	158	3 0
90665	330	3B	4
02803	—	6A/15 K	7 1/2
448c	336	—	1 1/2
144D	336	—	4
90573	318	74	4 6
80002	—	81/15 K	3 0
453c	336	—	1
90666	340	—	—
90667	340	75B	5 0
90507	330	7B	6 0
453c	353	8	1 6
456c	357	—	1
90668	—	10A	—
256D	356	—	1 3
248	356	—	1
02020	333	9D/15 K	2 1/2
02811	310	131/15 K	2 8
02812	—	14A/	—
158E	356	—	1 1/2
375c	356	—	6
1518E	357	—	2

No.	Plate.		Old No.	Price.
90669	337	Face Plate	33A	6 6
90670	—	" " complete, Nos. 233b, 448c, 600, 1560b, 02108, 02124, 08238, 90568, 90570, 90661, 90669, and two 02102	—	8 6
315c	356	" " Screw Centre	—	2
1519c	357	" " " " Nut	—	1 1/2
90511	327	Feed Bar	24	2 6
90512	339	" " Retaining Spring	26	3
190c	356	" " " " Screw	—	1 1/2
315c	356	" " " " Screw Centre	—	2
1519c	357	" " " " Nut	—	1 1/2
90513	321	Feed Bell Crank with 1813	15	2 0
7d	356	" " " " Hinge Screw	—	10
1813	357	" " " " Roller and Stud	—	10
90671	329	Feed Cam Gear	160	8 0
SS 44c	—	" " " " Screw	—	1
SS 268c	357	" " " " " Stud	—	1 3
1513c	357	" " " " " Nut	—	2 1/2
90672	340	" " " " " Washer	12A	4
SS 178c	356	" " " " " Screw	—	2
90673	329	" " " " " 90671 with 164c, SS44c, SS268c, 1513c, 90672, and 90690	159	14 0
90674	320	" " " " " Cover for 33 K 31 Mch.	76A	3 6
90675	320	" " " " " " 33 K 32 "	13A	3 9
180c	322	" " " " " Screw	—	1 1/2
90676	337	Feed Connection	16B	4 2
90677	—	" " " " 90676 with two each 1519c & 019449	—	8 4
08569	—	" " " " " Pin	24/29 K	1
019448	349	" " " " " Slide Block	16D	1 5
226 D 3200	—	" " " " " " Cap Screw	—	1
012424	349	" " " " " " Washer	16E	1
988c	357	" " " " " " Screw Stud	—	7 1/2
1519c	357	" " " " " " Nut	—	1 1/2
019449	324	" " " " " " complete, Nos. 226 D, 988c, 012424, and 019448	16c	2 0
90678	354	Feed Dog (for Narrow Hem)	161	1 9
90701	353	" " (Plain) (Hamburg)	162	1 9
208c	356	" " " " " Screw (2) 10/35	—	1
02816	323	Feed Lifting Rock Shaft	—	1 5
90679	—	" " " " " 02816 with 90681	163	3 0
90680	355	" " " " " " Crank with 157c	29D	1 9
90681	—	" " " " " " 90680 with 1519c and 019449	—	3 11
157c	356	" " " " " " Clamping Screw	—	2

No.	Plate.		Old No.	Price.
019448	349	Feed Lift'g Rock Sh'ft Cr'nk Slide Bl'k	16b	1 5
226 D 3200	—	" " " " " " " " " " Cap Screw	—	1
012424	349	" " " " " " " " " " " " " " Washer	16c	1
988c	357	" " " " " " " " " " " " " " Screw Stud	—	7 1/2
1519c	357	" " " " " " " " " " " " " " Nut	—	1 1/2
019449	324	" " " " " " " " " " " " " " complete, Nos. 226 D, 988c, 012424, and 019448	16c	2 0
307c	357	" " " " " " " " " " " " " " Rock Shaft Screw Centre	—	3
1513c	357	" " " " " " " " " " " " " " Nut	—	2 1/2
90527	339	Feed Regulator Bar	17	3 0
193d	356	" " " " " " Binding Screw	—	1 1/2
90528	339	" " " " " " Swivel	18	9
166d	—	" " " " " " Stop Screw	—	3 1/2
SS 192d	349	" " " " " " Thumb Screw	—	3
128d	356	Feed Regulating Stop Screw	—	2
NV 34d	357	" " " " " " Wing Nut	—	8
90529	339	" " " " " " Pad (Leather)	25	1
207c	356	" " " " " " " Screw	—	1
90530	350	" " " " " " " Washer	25A	1/2
90682	323	Feed Rock Shaft	19B	1 6
90683	—	" " " " " 90682 with 90533	19A	3 9
90533	338	" " " " " Crank with 207c	21	2 3
08575	336	" " " " " " Pin	38/29 K	1
207c	356	" " " " " " Set Screw	—	1
307c	356	" " " " " " Screw Centre	—	3
1513c	357	" " " " " " " Nut	—	2 1/2
90684	340	" " " " " " Spring	22A	8
90535	339	" " " " " " Adjusting Collar	23	2 6
207c	356	" " " " " " " " Screw	—	1
176c	356	" " " " " " " Screw	—	1 1/2
90536	338	Needle Bar	36	1 9
90685	324	" " " " " Connection Stud with 155c	166	1 0
155c	356	" " " " " " Set Screw	—	1 1/2
90686	337	" " " " " Connecting Link	37A	1 0
380c	356	" " " " " " Hinge Screw	—	5
1520c	357	" " " " " " " Nut	—	1 1/2
90687	324	" " " " " Guide Bracket with 456c	168	1 0
456c	356	" " " " " " Set Screw	—	1
09223	350	" " " " " Thread Eyelet	44/16 K	1/2
233d	356	" " " " " " Screw	—	1
90538	350	Needle Clamp with 552c	38	6
552c	356	" " " " " Thumb Screw	—	5
400c	—	Needle Bar Guide Bracket Adjusting Screw	10	1

No.	Plate.	Old No.	Price.	No.	Plate.	Old No.	Price.
90648	349	43c	4 0	1519d	357	—	1 1/2
337D	356	—	1	019449	324	16c	2 0
90688	323	169	10 0	90549	338	17	3 0
90689	355	170	6	159c	356	—	1 1/2
193D	356	—	1 1/2	90550	338	19	1 6
61D	356	—	6	02068	—	53/15 K	1 0
180D	322	—	1 1/2	453c	356	—	1
019448	349	16D	1 5	02821	335	55E/15 K	10
226 7/8 929a	—	—	1	689c	—	—	5
012424	349	16E	1	1520E	357	—	1 1/2
988c	357	—	7 1/2	80011	336	57A/15 K	2 1/2
1519d	357	—	1 1/2	02070	336	58A/ "	1/2
019449	324	16c	2 0	263D	356	—	10
				90552	343	56	4 3
				175D	356	—	1
90690	329	171	4 0	90553	343	57	2 3
90691	324	172A	5 6	90554	343	58	3
90692	324	173	9	99D	356	—	2 1/2
207c	356	—	1	90555	343	59	2 3
568c	357	—	7 1/2	335D	356	—	1
1513c	357	—	2 1/2	90556	343	60	1
R.R. 56 BR 77	349	—	1 0	335D	356	—	1
1519d	357	—	1 1/2	90557	343	55	10 0
90693	324	174	2 6	90697	347	235	7 0
SS 114D	357	—	3	012393	—	—	3 0
04304	338	—	4 2	02518	347	—	2 1/2
03052	356	—	2 0	015142	—	—	3 0
1513c	357	—	2 1/2	015141	—	—	1 0
635c	356	—	4	015140	347	—	5
1513c	357	—	2 1/2	02973	347	—	5
04784	—	—	1 1/2	02974	347	—	5
90545	319	45	5 0	02375	347	—	1
90634	—	44A	5 0	592E	356	—	1
90547	336	48	4	015027	347	—	2 1/2
07958	42	25 T.M.S.	1 1/2	02523	—	—	1 0
90695	349	46A	1 6	015098	347	—	5
90696	—	—	3 9	591	356	—	1
02049	336	50/15 K	1 1/2	90562	348	127	4 6
207c	356	—	1	45 2/128	356	—	2
019448	049	16D	1 5	90563	348	127A	1 6
326 7/8 929b	—	—	1	02532	347	—	5
012424	349	16E	1	90657	—	—	5 6
988c	357	—	7 1/2				

No.	Plate.		Old No.	Price.
02533	348	Shuttle Race Back Spring	—	6
648D	356	" " " " Screw	—	3½
90564	348	" " Cap	128	8
662D	356	" " " Screw	—	1
90565	347	" " complete, Nos. 648D, 02533, 90562 to 90564, two each 662D and 02532	126	7 6
90566	347	Shuttle Race Carrier	64	5 0
012394	—	Shuttle Driver	—	3 0
012444	325	" " 012394 with two 462c	—	3 0
02049	336	" " Pin	50/15 K	½
4/16 462a	—	" " Set Screw	—	1
016188	350	Shuttle Race Slide,	—	1 0
015147	—	" " " 015188 with 02824 and two 240 5.0 21/2 5 8	—	1 3
02824	350	" " " Spring	—	2½
5-2-16 240	356	" " " " Screw	—	1
600	356	Tension Screw Stud (for Face Plate)	—	5
448c	356	" " " Set Screw	—	1½
1560D	357	" " " Thumb Nut	—	2
02102	335	" Disc	88/15 K	2½
08238	349	" Spring	90/27 K & 28 K	2½
418D	357	Tension Screw Stud (fixed on top of Arm)	—	4
1562D	357	" " " Thumb Nut	—	2
02455	340	" Disc	60 B.W.	1
010141	340	" Spring	259 "	½
08620	340	" Thread Guide	96/29 K	1
90568	350	Thread Eyelet	35	1
02108	350	Thread Guard	36A/15 K	½
02896	348	Thread Take-up Cam (Steel) with 448c and 1293c	—	4 2
448c	356	" " " " Set Screw	—	1½
1293c	—	" " " " Timing Screw	—	2½
90862 90569	—	Thread Take-up Lever with 1822	77	2 0
50527 706	356	" " " " Hinge Screw	—	3
1822	357	" " " " Roller and Stud	—	10
02124	349	Thread Take-up Spring	—	1½
90661	359	" " " " Regulator	95c/15 K	2
233D	356	" " " " " Screw	—	1
90570	350	" " " " Staple	68	½
90698	352	Throat Plate for 90648 (Narrow Hem)	180	4 0
90699	352	" " Plain (Hamburg)	181	4 0
691D	356	" " " Screw	—	2
80015	—	Wrench for 1519	99A/15 K	7½
08909	—	" for 1513	100/ "	5
*15404	—	Trade Mark
15405	—	" " Rivet

Parts Special to Nos. 33 K 33 & 33 K 34 Machines

(Drop Feed with Jointed Punch Yoke for Revere Hem-Stitching.)

These Machines are the same as 33 K 31 and 33 K 32, with the following exceptions:—

No.	Plate.		Old No.	Price.
90700	—	Face Plate, complete, Nos. 233D, 448c, 600, 1560D, 02108, 02124, 08238, 90570, 90661, 90669, two each 02102 and 90568	—	8 6
90701	353	Feed Dog (Plain) (Hamburg)	162	1 9
90702	342	Needle Bar jointed Punch Yoke Frame	183	5 0
331c	—	" " " " " Clamping Screw	—	1
90703	342	" " " " " Bracket (Hinged)	185	2 6
07958	42	" " " " " Hinge Pin	25 T.M.S.	½
90704	342	" " " " " Spring	186	4
90705	342	" " " " " Releasing Lever	187	1 0
SS 133c	357	" " " " " " Hinge Screw	—	½
90580	342	" " " " " Releasing Lever Hinge Spring	92	2
90706	342	" " " " " Thread Guide	184	3
90707	342	" " " " " Punch	188	2½
662c	356	" " " " " Binding Screw	—	1
90708	340	" " " " " complete, Nos. 331c, SS133c, 07958, 90580, 90702 to 90706, two each 662c and 90707	182	10 0
90552	343	Presser Foot Bracket	56	4 3
175D	356	" " " Clamping Screw	—	1
90719	346	" " Cord Guide	176	6
337D	356	" " " " Screw	—	1
90709	346	" " Leg (Left) Adjustable	190	2 9
90554	343	" " " " Cap	58	3
99D	356	" " " " " Screw	—	2½
90710	346	" " " (Right)	191	2 3
335D	356	" " " " " Screw	—	1
90556	343	" " Spring	60	1
335D	356	" " " " " Screw	—	1
90711	345	" " complete (Spring Adjustable), with Tuck Guide, Nos. 175D, 337D, 90552, 90554, 90556, 90709, 90710, 90714, 90719, and two 99D, and three 335D	189	13 6
90712	345	Presser Foot Tuck Guide Wire	193	1 0
90713	—	" " " " " Bracket	194	2 6
335D	356	" " " " " " Screw	—	1
90714	346	" " " " " complete, Nos. 335D, 90712, & 90713	192	3 6
90715	353	Throat Plate (10 Stitches per inch)	195	5 6

Parts Special to Nos. 33 K 35 and 33 K 36 Machines

(Drop Feed with Adjustable Lifting or Stationary Presser and Cord Guide Presser Foot for Revere Hem-Stitching.)

These Machines are the same as 33 K 31 and 33 K 32, with the following exceptions:

No.	Plate.		Old No.	Price.
90716	323	Adjust'g Lift'g or Stationary Presser Lever	196	2 6
SS 97D	357	" " or Stationary Presser Lever Hinge Screw	---	4
1518E	357	" " " " " " Nut	---	2
90717	337	" " " " Stud	197	9
793D	357	" " " " Thumb Screw	---	4
90700	---	Face Plate complete, Nos. 233D, 448C, 600, 1560D, 02108, 02124, 08238, 90570, 90661, 90669, and two each 02102 and 90568	---	8 6
90718	342	Needle Side Shift Cam with two 1816	198	6 0
1816	357	" " " " Roller and Stud	---	10
90552	343	Presser Foot Bracket	56	4 3
175D	356	" " Clamping Screw	---	1
90719	346	" " Cord Guide	176	6
337D	356	" " " " Screw	---	1
90652	343	" " Leg (Left) Adjustable	152	2 9
337D	356	" " " " Adjusting Screw	---	1
90653	343	" " " " Cap	153	3
99D	356	" " " " Screw	---	2 1/2
90720	346	" " " (Right)	200	2 3
335D	356	" " " " Screw	---	1
90556	343	" " Spring	60	1
335D	356	" " " Screw	---	1
90721	345	" " (Spring, Adjustable), complete, with Adjustable Cord Guide for Curves, Nos. 99D, 175D, 90552, 90556, 90652, 90653, 90719, 90720, three each 335D & 337D	199	10 6

Parts Complete

FOR

Nos. 33 K 37 and 33 K 38 Machines

(DROP FEED FOR SHIRE HEM-STITCHING.)

No.	Plate.		Old No.	Price.
90722	---	Arm	1D	---
04389	---	" Dowel Pin (2)	4A/15 K	1
90502	339	" Oil Guard Plate	5	2
335D	356	" " " Screw	---	1
90663	320	" Side Cover	2B	2 6
1/2 284D	356	" " Thumb Screw	---	5
138E	356	" " Screw (2)	---	2 1/2
02007	336	" Spool Pin	73/15 K	1
90664	323	Arm Shaft (Hardened and Grooved for Set Screw)	158	3 0
90723	340	" " Bushing (Back) with 448C	3C	4
02803	---	" " " (Front)	6A/15 K	7 1/2
448C	356	" " " Set Screw for 90723	---	1 1/2
144D	356	" " " End Screw for 33 K 37 Mch.	---	4
90573	318	Balance Wheel with two 453C, for 33 K 37 Mch.	74	4 6
80002	---	" " for 33 K 38 Mch.	8L/15 K	3 0
453C	356	" " Set Screw for 90573	---	1
90724	340	" " Gear Bushing with 453C and 456C, for 33 K 37 Mch.	75C	5 0
90725	340	" " " " with 453C and 456C, for 33 K 38 Mch.	7C	6 0
90507	339	" " " " Collar for 80002	8	1 6
453C	356	" " " " Set Screw (long)	---	1
456C	357	" " " " " (short)	---	1
90668	---	Bed	10A	---
256D	356	Clamp Stop Motion Clamp Sc. for 33 K 38 Mch.	---	1 3
248	356	" " " " Stop Sc. for 33K38 Mch.	---	1
02020	335	" " " " Washer for 33 K 38 Mch.	9D/15 K	2 1/2
02811	319	Crank Connecting Rod with 02812 and two 158E	13 1/2 / 15 K	2 8
02812	---	" " " " Cap	14A/ " "	---
158E	356	" " " " " Screw	---	1 1/2
375C	356	" " " " Hinge Screw	---	6
1518E	357	" " " " Nut	---	2

Nos. 33 K 37 and 33 K 38 Machines Parts.

No.	Plate.	Description	Old No.	Price.
90869	337	Face Plate	33A	6 6
90670	—	" " complete, Nos. 233b, 448c, 600, 1560b, 02108, 02124, 08238, 90568, 90570, 90661, 90669, and two 02102	—	8 6
315c	356	" " Screw Centre	—	2
1519c	357	" " " " Nut	—	1 1/2
90511	327	Feed Bar	24	2 6
90512	339	" " Retaining Spring	26	3
190c	356	" " " " Screw	—	1 1/2
314c	315c	356 1/2" " " Screw Centre	—	2
1519c	357	" " " " Nut	—	1 1/2
90513	321	Feed Bell Crank with 1813	15	2 0
7D	356	" " " " Hinge Screw	—	10
1813	357	" " " " Roller and Stud	—	10
90726	334	Feed Cam Gear	202	8 0
SS 44c	—	" " " " Screw	—	1
SS 268c	357	" " " " Stud	—	1 3
1513c	357	" " " " " " Nut	—	2 1/2
90672	340	" " " " " " Washer	12A	4
SS 78c	164c	356 3/32" " " " " " Screw	—	2
90727	334	" " " " 90726 with 164c, SS44c, SS268c, 1513c, 90672, and 90732	201	14 0
90674	320	" " " " Cover for 33 K 37 Mch.	76A	3 6
90675	320	" " " " " " for 33 K 38 Mch.	13A	3 9
180c	322	" " " " " " Screw	—	1 1/2
90676	337	Feed Connection	16B	4 2
90677	—	" " 90676 with two each 1519c & 019449	—	8 4
08569	—	" " Pin	24/29 K	1
019448	349	" " Slide Block	16D	1 5
226D	229c	" " " " Cap Screw	—	1
012424	349	" " " " " " Washer	16E	1
988c	357	" " " " " " Screw Stud	—	7 1/2
1519c	357	" " " " " " Nut	—	1 1/2
019449	324	" " " " complete, Nos. 229b, 988c, 012424, and 019448	16c	2 0
90678	354	Feed Dog (for Narrow Hem)	161	1 9
90701	353	" " (Plain, Hamburg)	162	1 9
208c	356	" " Screw (2) 1/16"	—	1
90729	325	Feed Lifting Bell Crank Lever with 1872	30A	3 3
90522	336	" " Bell Crank Lever Connection with two 175q	31	2 0
175q	356	" " " " " " " " Screw	—	1
27D	356	" " " " " " " " Hinge Screw	—	5
1520c	357	" " " " " " " " Nut	—	1 1/2
1872	—	" " " " " " " " Roller and Stud	—	10

Nos. 33 K 37 and 33 K 38 Machines Parts.

No.	Plate.	Description	Old No.	Price.
307c	357	Feed Lifting Bell Crank Lever Sc. Centre	—	3
1513c	357	" " " " " " " " Nut	—	2 1/2
90730	320	Feed Lifting Rock Shaft	29c	1 3
90731	—	" " " " 90730 with 90681	28A	3 0
27D	356	" " " " Connection Hinge Screw	—	5
90680	355	" " " " Crank with 157c	29D	1 9
90681	—	" " " " " " 90680 with 1519c and 019449	—	3 11
157c	356	" " " " " " Clamping Screw	—	2
019448	349	" " " " " " Slide Block	16D	1 5
226D	229c	" " " " " " Crank Slide Block Cap Screw	—	1
012424	349	" " " " " " " " Washer	16E	1
988c	357	" " " " " " " " Screw Stud	—	7 1/2
1519c	357	" " " " " " " " Nut	—	1 1/2
019449	324	" " " " " " complete, Nos. 229b, 988c, 012424, and 019448	16c	2 0
307c	357	" " " " " " Screw Centre	—	3
1513c	357	" " " " " " Nut	—	2 1/2
90728	349	Feed Regulator Bar	17A	3 0
193D	356	" " " " Binding Screw	—	1 1/2
240	356	" " " " Stop Screw	—	1
90528	339	" " " " Swivel	18	9
166D	—	" " " " Stop Screw	—	3 1/2
SS 192D	349	" " " " Thumb Screw	—	3
128D	356	Feed Regulating Stop Screw	—	2
NN 34D	357	" " " " Wing Nut	—	8
90529	339	" " " " Pad (Leather)	25	1
207c	356	" " " " " " Screw	—	1
90530	350	" " " " " " Washer	25A	1/2
90682	323	Feed Rock Shaft	19B	1 6
90683	—	" " " " 90682 with 90533	19A	3 9
90533	338	" " " " Crank, with 207c	21	2 3
08575	336	" " " " " " Pin	38/29 K	1
207c	356	" " " " " " Set Screw	—	1
307c	356	" " " " " " Screw Centre	—	3
1513c	357	" " " " " " Nut	—	2 1/2
90684	340	" " " " Spring	22A	8
90535	339	" " " " " " Adjusting Collar	23	2 6
207c	356	" " " " " " " " Screw	—	1
176c	356	" " " " " " " " Screw	—	1 1/2
90536	338	Needle Bar	36	1 9
90685	324	" " Connection Stud with 155c	166	1 0
155c	356	" " " " " " Set Screw	—	1 1/2
90686	337	" " Connecting Link	37A	1 0

Nos. 33 K 37 and 33 K 38 Machines Parts.

Old No. Price.

No.	Plate.	Description	Old No.	Price.
380c	356	Needle Bar Connecting Link Hinge Screw	—	5
1520a	357	" " " " " Nut	—	1 1/2
90687	324	" " Guide Bracket with 456c	168	1 0
456c	356	" " " " Set Screw	—	1
08223	350	" " Thread Eyelet	41/15 K	1 1/2
233D	356	" " " " " " " "	—	1
400c	—	Needle Bar Guide Bracket Adjusting Screw	—	—
90538	350	Needle Clamp with 552a	38	6
40545	356	" " Thumb Screw	—	5
90544	338	Needle Hole Finger	43B	4 0
337D	356	" " " " Screw	—	1
90688	323	N'dle & Shu'tle Vib't'g Lever	169	10 0
90689	355	" " " " Cap	170	6
193D	356	" " " " " Screw	—	1 1/2
64D	356	" " " " " Hinge Screw	—	6
180D	322	" " " " " Binding Screw (to fasten to Face Plate)	—	1 1/2
019448	349	" " " " " Slide Block	16D	1 5
226	—	" " " " " Cap Screw	—	1
012424	349	" " " " " " " " Washer	16E	1
988c	357	" " " " " " " " Screw Stud	—	7 1/2
1519a	357	" " " " " " " " Nut	—	1 1/2
019449	324	" " " " " complete, Nos. 988c, 012424, & 019448	16C	2 0
90732	333	N'dl eSide Shift Cam	203	4 0
90733	324	" " " " Adjustm't Regulator Yoke	204A	5 6
90692	324	" " " " " Regulator Yoke Guide Bracket	173	9
207c	356	" " " " " " " " " Screw	—	1
568c	357	" " " " " " " " " Hinge Screw	—	7 1/2
1513c	357	" " " " " " " " " Nut	—	2 1/2
56 RR 47	349	" " " " " " " " " Roller & Screw Stud	—	1 0
1519t	357	" " " " " " " " " Roller & Screw Stud Nut	—	1 1/2
90693	324	" " " " " " " " " Regulating Disc	174	2 6
SS 114D	357	" " " " " " " " " Thumb Screw	—	3
04304	338	Osc' Rock Shaft (Steel Hardened) with 04784	—	4 2
03052	356	" " " " " Hinge Pin	—	2 0
1513c	357	" " " " " " " " " Nut	—	2 1/2
635c	356	" " " " " " " " " Screw Bearing	—	4
1513c	357	" " " " " " " " " Nut	—	2 1/2
04784	—	" " " " " Oil Pad	—	1 1/2

Nos. 33 K 37 and 33 K 38 Machines Parts.

Old No. Price.

No.	Plate.	Description	Old No.	Price.
90545	319	Osc' Shuttle Shaft	45	3 6
90694	—	" " " " " 90545 with 90696	44A	5 0
90517	336	" " " " " Collar	48	4
07958	42	" " " " " Pin	25 T.M.S.	1 1/2
90695	324	" " " " " Crank with 207c	46A	1 6
90695	—	" " " " " 90695 with 1519a & 019449	—	3 9
02049	336	" " " " " Pin	50/15 K	1 1/2
207c	356	" " " " " Set Screw	—	1
019418	349	" " " " " Slide Block	16D	1 5
223D	—	" " " " " Cap Screw	—	1
012424	349	" " " " " " " " Washer	16E	1
988c	357	" " " " " " " " Screw Stud	—	7 1/2
1519a	357	" " " " " " " " Nut	—	1 1/2
019449	324	" " " " " complete, Nos. 988c, 012424, and 019448	16C	2 0
90549	338	" " " " " Vibrating Yoke, with 159	47	3 0
159c	356	" " " " " Clamping Screw	—	1 1/2
90550	338	Presser Bar for 90557	49	1 6
02058	—	" " " " " 90561	52/15 K	1 3
02068	—	" " " " " Spring Bracket with 453c	53/ "	1 0
453c	356	" " " " " Set Screw	—	1
02821	335	Presser Bar Lifter	55E/15 K	10
689c	—	" " " " " Hinge Screw	—	5
1520a	357	" " " " " " " " Nut	—	1 1/2
80011	336	Presser Bar Spring	57A/15 K	2 1/2
02070	336	" " " " " Washer	58A/ "	1 1/2
263D	356	" " " " " Thumb Screw	—	10
90558	343	Presser Foot Bracket	52	2 9
90559	343	" " " " " Retainer	54	1 6
337D	356	" " " " " Screw	—	1
90560	343	" " " " " Sole	53	1 6
613D	356	" " " " " " Screw	—	1
793D	357	" " " " " Thumb Screw	—	4
90561	343	" " " " " (Adjustable), complete, Nos. 90558 to 90560, two each 337D and 613D	51	6 0
90552	343	Presser Foot Bracket	56	4 3
175D	356	" " " " " Clamping Screw	—	1
90553	343	" " " " " Leg (Left) Adjustable	57	2 3
90554	343	" " " " " " " Cap	58	3
99D	356	" " " " " " " Screw	—	2 1/2
90555	343	" " " " " Leg (Right)	59	2 3
335D	356	" " " " " " " Screw	—	1
90556	343	" " " " " Spring	60	1
335D	356	" " " " " " " Screw	—	1
90557	343	" " " " " (Spring Adjustable), complete, Nos. 175D, 90552 to 90556, two 99D, & three 335D	55	10 0

NOTE—No. 90557 is sent with these Machines unless other Presser Foot is specified in order.

Nos. 33 K 37 and 33 K 38 Machines Parts.

No.	Plate.	Description	Old No.	Price.
90734	349	Shuttle (Solid), 1 1/8" dia., 022169 with 02518 and 015142	253	6 3
022169	—	" Body	—	3 0
02518	347	" Bobbin	—	2 1/2
315277 015142	—	" " Case complete, Nos. 591, 592K, 02523, 02975, 015027, 015098, and 015141	—	3 0
015141	—	" " " Hinge complete, Nos. 02973, 02974, and 015140	—	1 0
015140	347	" " " Latch	—	5
02973	347	" " " Lever	—	5
02974	347	" " " Fulcrum Pin, per 100	—	5
02975	347	" " " Spring	—	1
592K	356	" " " Stop Screw	—	1
015027	347	" " " Position Finger	—	2 1/2
02523	—	" " " Rivet, per 100	—	1 0
015098	347	" Tension Spring	—	5
591	356	" Regulating Screw	—	1
90562	348	Shuttle Race Body	127	4 6
315278 128 356	—	" " " Screw	—	2
90563	348	" " Back	127A	1 6
02532	347	" " " Position Pin, per 100	—	5
02533	348	" " " Spring	—	6
648D	356	" " " Screw	—	3 1/2
90564	348	" " Cap	128	8
662D	356	" " " Screw	—	1
90565	347	" " complete, Nos. 648D, 02533, 90562 to 90657	—	5
90566	90657	Shuttle Race Body, 90814 with 90744, two each 662D and 2532	64	5 0
022171	—	Shuttle Driver	—	4 2
022172	325	" " 022171 with two 462K	—	4 2
02049	336	" " Pin	50/15 K	1/2
415 462C	—	" " Set Screw	—	1
015188	350	Shuttle Race Slide	—	1 0
015147	—	" " " 015188 with 02824 and two 240	502/15 K	1 3
02824	350	" " " Spring	—	2 1/2
315279 240 356	—	" " " " Screw	—	1
000	356	Tension Screw Stud (for Face Plate)	—	5
448C	356	" " " Set Screw	—	1 1/2
1560D	357	" " " Thumb Nut	—	2
02102	335	" Disc	88/15 K	2 1/2
08238	349	" Spring	96/27 K & 25 K	2 1/2
418D	357	Tension Screw Stud (fixed on top of Arm)	—	4
1562D	357	" " " Thumb Nut	—	2
02455	340	" Disc	60 B.W.	1
010141	340	" Spring	259 "	1/2
09620	340	" Thread Guide	90/29 K	1

Nos. 33 K 37 and 33 K 38 Machines Parts.

No.	Plate.	Description	Old No.	Price.
90568	350	Thread Eyelet	35	1
02108	350	Thread Guard	35A/15 K	1/2
02896	348	Thread Take-up Cam (Steel) with 448c and 1293c	—	4 2
448c	356	" " " " Set Screw	—	1 1/2
1293c	—	" " " " Timing Screw	—	2 1/2
90569	—	Thread Take-up Lever with 1822	77	2 0
77 79c 356	—	" " " " Hinge Screw	—	3
1822	357	" " " " Roller and Stud	—	10
02124	349	Thread Take-up Spring	—	1 1/2
90661	350	" " " " Regulator	95c/15 K	2
233D	356	" " " " " Screw	—	1
90570	350	" " " " Staple	68	1/2
90698	352	Throat Plate for 90544 (Narrow Hem)	180	4 0
90699	352	" " (Plain) (Hamburg)	181	4 0
90735	354	" " for Narrow Hem (Plain)	205	4 0
691D	356	" " " Screw	—	2
NOTE.—No. 90698 is sent with these Machines unless other Throat Plate is specified on order.				
80015	—	Wrench for 1519	99A/15 K	7 1/2
08909	—	" " 1513	100 "	5
*15404	—	Trade Mark	—	—
15405	—	" " Rivet	—	—

Parts Complete

FOR

Nos. 33 K 39 and 33 K 40 Machines

(Drop Feed with Thread Dividing Attachment for Left Hand Spoke Hem-Stitching.)

No.	Plate.	Description	Old No.	Price.
90722	—	Arm	1D	—
04389	—	" Dowel Pin (2)	4A/15 K	1
90502	339	" Oil Guard Plate	5	2
335D	356	" " " " Screw	—	1
90663	320	" Side Cover	2B	2 6
284D	356	" " " " Thumb Screw	—	5
138E	356	" Screw (2)	—	2½
02007	336	" Spool Pin	73/15 K	1
02007		Spool Pin		1
90664	323	Arm Shaft (Hardened and Grooved for Set Screw)	158	3 0
90723	340	" " Bushing (Back), with 448c	3c	4
02803	—	" " " (Front)	6A/15 K	7½
448c	356	" " " Set Screw for 90723	—	1½
144c	356	" " " End Screw for 33 K 39 Machine	—	4
90573	318	Balance Wheel with two 453c for 33 K 39 Machine	74	4 6
80002	—	" " " for 33 K 40 Machine	81/15 K	3 0
453c	356	" " " Set Screw for 90573	—	1
90724	340	" " " Gear Bushing with 453c and 456c for 33 K 39 Machine	75c	5 0
90725	340	" " " " with 453c and 456c for 33 K 40 Machine	7c	6 0
90507	339	" " " " Collar for 80002	8	1 6
453c	356	" " " " Set Screw (Long)	—	1
456c	357	" " " " " " (Short)	—	1
90668	—	Bed	10A	—
256c	356	Clamp Stop Motion Clamp Sc. for 33 K 40 Mch.	—	1 3
248	356	" " " " " Stop Sc. for 33K40 Mch.	—	1
02020	335	" " " " " Washer for 33 K 40 Mch.	9D/15 K	2½
02811	319	Crank Connecting Rod, with 02812 and two 158c	131/15 K	2 8
02812	—	" " " " " Cap	14A/ " "	—
158E	356	" " " " " " Screw	—	1½
375c	356	" " " " " " Hinge Screw	—	6
1518E	357	" " " " " " Nut	—	2

Nos. 33 K 39 and 33 K 40 Machines Parts.

No.	Plate.	Description	Old No.	Price.
90369	337	Face Plate	33A	6 6
90670	—	" " complete, Nos. 233D, 448c, 600, 1560D, 02108, 02124, 08238, 90568, 90570, 90661, 90669, and two 02102	—	8 6
315c	356	" " Screw Centre	—	2
1519c	357	" " " " Nut	—	1
90511	327	Feed Bar	247	2 6
90512	339	" " Retaining Spring	26	3
190c	356	" " " " " Screw	—	1½
315c	356	" " " " " Screw Centre	—	2
1519E	357	" " " " " Nut	—	1½
90513	321	Feed Bell Crank with 1813	15	2 0
7D	356	" " " " Hinge Screw	—	10
1813	357	" " " " " Roller and Stud	—	10
90736	331	Feed Cam Gear	207	8 0
SS 44c	—	" " " " " Screw	—	1
SS 268c	357	" " " " " Stud	—	1 3
1513c	357	" " " " " " Nut	—	2½
90672	340	" " " " " " Washer	12A	4
164c	356	" " " " " " " Screw	—	2
90737	331	" " " " " 90736 with 164c, SS44c, SS268c, 1513c, 90672, and 90739	205	14 0
90674	320	" " " " " Cover for 33 K 39 Machine	76A	3 6
90675	320	" " " " " " for 33 K 40 Machine	13A	3 9
180c	322	" " " " " " Screw	—	1½
90676	337	Feed Connection	16B	4 2
90677	—	" " " 90676 with two each 1519c & 019449	—	8 4
08569	—	" " " Pin	21/29 K	1
019448	349	" " " " " Slide Block	16D	1 5
223m	—	" " " " " " Cap Screw	—	1
012421	349	" " " " " " " Washer	16E	1
988c	357	" " " " " " " Screw Stud	—	7½
1519c	357	" " " " " " " " Nut	—	1½
019449	324	" " " " " " complete, Nos. 220n, 988c, 012424, and 019448	16c	2 0
90738	353	Feed Dog (for Wide Shires)	208	1 9
208c	356	" " " " " " Screw	—	1
90729	325	Feed Lifting Bell Crank Lever with 1872	30A	3 3
90522	336	" " " " " Crank Lever Connection, with two 175c	31	2 0
175c	356	" " " " " " " " Screw	—	1
27D	356	" " " " " " " " Hinge Screw	—	5
1520c	357	" " " " " " " " " Nut	—	1½
1872	—	" " " " " " " " Roller and Stud	—	10
307c	357	" " " " " " " " " Screw Centre	—	3
1513c	357	" " " " " " " " " " Nut	—	2½

No.	Plate.	Old No.	Price.
90730	320	29c	1 3
90731	—	28A	3 0
27D	356	—	5
90680	355	29D	1 9
90681	—	—	3 11
157c	356	—	2
019448	349	16D	1 5
321 P 220	—	—	1
012424	349	16E	1
988c	357	—	7 1/2
1519A	357	—	1 1/2
019449	324	160	2 0
307c	357	—	3
1513c	357	—	2 1/2
90527	339	17	3 0
193D	356	—	1 1/2
90528	339	18	9
166D	—	—	3 1/2
SS 192D	349	—	3
128D	356	—	2
NV 34D	357	—	8
90529	339	25	1
207c	356	—	1
90530	350	25A	1 1/2
90682	323	19B	1 6
90683	—	19A	3 9
90533	338	21	2 3
08575	336	38/29 K	1
207c	356	—	1
307c	356	—	3
1513c	357	—	2 1/2
90684	340	22A	8
90535	339	23	2 6
207c	356	—	1
176c	356	—	1 1/2
90536	338	36	1 9
90685	324	166	1 0
165c	356	—	1 1/2
90686	337	37A	1 0
380c	356	—	5
1520A	357	—	1 1/2
90687	324	168	1 0
456c	356	—	1
08223	350	14/15 K	1
233D	350	—	1

No.	Plate.	Old No.	Price.
90538	350	38	6
90688	323	169	10 0
90689	355	170	6
193D	356	—	1 1/2
64D	356	—	6
180D	322	—	1 1/2
019448	349	16D	1 5
220	—	—	1
012424	349	16E	1
988c	357	16E	1
1519A	357	—	7 1/2
019449	324	160	2 0
90739	331	209	4 0
90733	324	201A	5 6
90692	324	173	9
207c	356	—	1
568c	357	—	7 1/2
1513c	357	—	2 1/2
RR 47	349	—	1 0
1519A	357	—	1 1/2
90693	324	171	2 6
SS 111D	357	—	3
04301	338	—	1 2
03052	356	—	2 0
1513c	357	—	2 1/2
635c	356	—	4
1513c	357	—	2 1/2
04784	—	—	1 1/2
90545	319	45	3 0
90694	—	41A	5 0
90547	336	48	4
07958	42	25 T.M.S.	1 1/2
90695	324	16A	1 6
90696	—	—	3 9
02049	336	50/15 K	1 1/2
207c	356	—	1
019448	349	16D	1 5
220	—	—	1

400c | — | Needle Bar Guide Bracket Adjusting Screw 1/11.

Nos. 33 K 39 and 33 K 40 Machines Parts.

No.	Plate.	Old No.	Price.
012424	349		
		Osc' Sh'tle Sh'ft Cr'nk Slide Bl'ck Cap Sc.	
		Washer	16E 1
988c	357	" " " " " " " Screw Stud	7 1/2
15190	357	" " " " " " " " " Nut	1 1/2
019449	324	" " " " " " " " " complete, Nos. 226 ^v , 229 ^r , 988c, 012424 and 019448	16c 2 0
90549	338	" " " " " " " " " Vibrating Yoke, with 159c	47 3 0
159c	356	" " " " " " " " " Clamping Screw	1 1/2
15151	02058	—	—
		Presser Bar	
02068	—	" " Spring Bracket with 453c	52/14K 1 3
453c	356	" " " " " " " " " Set Screw	53/ " 1 0
		" " " " " " " " " " " "	1
02821	335		
		Presser Bar Lifter	
689c	—	" " " " " Hinge Screw	55E/15 K 10
15204	357	" " " " " " " " " Nut	5 5
		" " " " " " " " " " " "	1 1/2
80011	336		
		Presser Bar Spring	
02070	336	" " " " " Washer	57A/15 K 2 1/2
263D	356	" " " " " Thumb Screw	58A/ " 1 1/2
		" " " " " " " " " " " "	10
90577	346		
		Presser Foot Bracket	
90740	346	" " Retaining Sole	86 4 3
90579	346	" " " " " Pin	212 2 3
90580	342	" " " " " Spring	91 1 1/2
90741	346	" " Sole	92 1
90583	346	" " " Spring	211 2 3
90582	346	" " " Pin	88 1
90742	352	" " " Position Spring	89 1 1/2
335D	356	" " " " " " " " " Screw	231 1
793D	357	" " " " " " " " " " " "	— 1
90743	345	" " " (Hinged Double), complete, for Wide Shires, Nos. 335D, 90577, 90579, 90580, 90582, 90583, and 90740 to 90742	— 4
		" " " " " " " " " " " "	210 10 0
00131	90697	347	
		Shuttle (Solid), 1 1/8" dia., 012393 with 02518 and 015142	
012393	—	" " Body	235 7 0
02518	347	" " Bobbin	— 3 0
015142	—	" " " Case complete, Nos. 591, 592R, 02523, 02975, 015027, 015098, and 015141	— 2 1/2
		" " " " " " " " " " " "	8 3 0
015141	—	" " " " " Hinge complete, Nos. 02973, 02974, and 015140	— 1 0
015140	347	" " " " " Latch	— 5
02973	347	" " " " " Lever	— 5
02974	347	" " " " " Fulcrum Pin.....per 100	— 5
02975	347	" " " " " Spring	— 1
592E	356	" " " " " Stop Screw	— 1
015027	347	" " " " " Position Finger	— 2 1/2
02523	—	" " " " " Rivet.....per 100	— 1 0
15152	015098	347	
		Tension Spring	
591	356	" " Regulating Screw	5 1/2 5 1

Nos. 33 K 39 and 33 K 40 Machines Parts.

No.	Plate.	Old No.	Price.
90814	—		
		Shuttle Race Body	
457 128	356	" " " " " " " " " " " "	— 4 6
90563	348	" " " " " " " " " " " "	— 2
02532	347	" " " " " " " " " " " "	127A 1 6
02533	348	" " " " " " " " " " " "	— 5
648D	356	" " " " " " " " " " " "	— 6
90744	337	" " " " " " " " " " " "	— 3 1/2
662D	356	" " " " " " " " " " " "	128A 8
		" " " " " " " " " " " "	1
357	—		
		Shuttle Race Body, 90814 with 90744, two each 662d and 2532	
		" " " " " " " " " " " "	5 6
90566	347		
		Shuttle Race Carrier	
012394	—	" " " " " " " " " " " "	127A 7 6
012444	325	" " " " " " " " " " " "	61 5 0
02049	336	" " " " " " " " " " " "	— 3 0
462K	—	" " " " " " " " " " " "	50/15 K 1 1/2
		" " " " " " " " " " " "	— 1
90745	355		
		Shuttle Race Slide	
90596	341	" " " " " " " " " " " "	101A 1 0
90597	341	" " " " " " " " " " " "	105 1 1/2
240	356	" " " " " " " " " " " "	106 1 1/2
90746	—	" " " " " " " " " " " "	— 1
		" " " " " " " " " " " "	90745 with 90596, 90597, and two 240 103A 1 3
600	356		
		Tension Screw Stud (for Face Plate)	
448c	356	" " " " " " " " " " " "	— 5
1560D	357	" " " " " " " " " " " "	— 1 1/2
02102	335	" " " " " " " " " " " "	— 2
08238	349	" " " " " " " " " " " "	88/15 K 2 1/2
		" " " " " " " " " " " "	9072K & SK 2 1/2
418D	357		
		Tension Screw Stud (fixed on top of Arm)	
1562D	357	" " " " " " " " " " " "	— 4
02455	340	" " " " " " " " " " " "	— 2
010141	340	" " " " " " " " " " " "	10 B.W. 1
08620	340	" " " " " " " " " " " "	259 " 1 1/2
		" " " " " " " " " " " "	97/29 K 1
90568	350		
		Thread Eyelet	
02108	350	" " " " " " " " " " " "	35 1
90747	355		
		Thread Guard	
90748	356	" " " " " " " " " " " "	36A/15 K 1 1/2
193c	356	" " " " " " " " " " " "	— 1
90749	355	" " " " " " " " " " " "	81A 5 0
58 114D	357	" " " " " " " " " " " "	83A 2 0
90600	344	" " " " " " " " " " " "	— 1 1/2
128c	356	" " " " " " " " " " " "	213 1 6
1528c	357	" " " " " " " " " " " "	— 3
90602	344	" " " " " " " " " " " "	82 2
90750	355	" " " " " " " " " " " "	— 2
90604	344	" " " " " " " " " " " "	— 1 1/2
		Thread Divider Hinge Bar	
		" " " " " " " " " " " "	108 3 0
		" " " " " " " " " " " "	109B 2 0
		" " " " " " " " " " " "	109A 1 0
90816	—	" " " " " " " " " " " "	— 2 0

No.	Plate.		Old No.	Price.
207D	356	Thread Divider Hinge (Female) Screw	—	1
316c	356	" " " " Screw Centre	—	1½
1575D	357	" " " " " " Nut	—	1½
90751	355	" " Spur	119A	2 6
207D	356	" " " Screw	—	1
193D	356	" " Screw	—	1½
90606	344	" " Wire Cap	110	3
207D	356	" " " " Screw	—	1
90752	—	" " complete, Nos. 90602, 90604, 90606, 90750, 90751, two each 316c, 1575D, and six 207D	107A	9 6
0233D	348	Thread Take-up Cam (Steel) with 448c and 1293c	—	4 2
448c	356	" " " " Set Screw	—	1½
1293c	—	" " " " Timing Screw	—	2½
90862, 90869, 50527 ^e	350	Thread Take-up Lever with 1822	77	2 0
70c	350	" " " " Hinge Screw	—	3
1822	357	" " " " Roller and Stud	—	10
02124	349	Thread Take-up Spring	—	1½
90661	350	" " " " Regulator	950/15 K	2
233D	356	" " " " " Screw	—	1
90570	350	" " " " Staple	68	½
90753	—	Throat Plate	215	4 6
90754	352	" " Rib (Adjustable)	216	1 0
233D	356	" " " " " Screw	—	1
90755	349	" " 90753 with 90754 and two 233D	211	5 6
691D	356	" " " " Screw	—	2
80015	—	Wrench for 1519	99A/15 K	7½
08909	—	" " for 1513	100/ "	5
*15404	—	Trade Mark
15405	—	" " Rivet

Parts Special to Nos. 33K41 & 33K42 Machines

(Drop Feed, with Thread Dividing Attachment, for Right Hand Spoke Hem-Stitching.)

These Machines are the same as 33 K 39 and 33 K 40, with the following exceptions:—

No.	Plate.		Old No.	Price.
90756	332	Feed Cam Gear 90736 with 164c, SS44c, SS268c, 1513c, 90672 and 90757	217	14 0
90757	332	Needle Side Shift Cam	218	4 0
90577	346	Presser Foot Bracket	86	4 3
90758	346	" " Retaining Sole	219	2 3
90579	346	" " " " Pin	91	1½
90580	342	" " " " Spring	92	1
90741	346	" " Sole	211	2 3
90582	346	" " " Pin	89	1½
90583	346	" " " Spring	88	1
90742	352	" " " Position Spring	231	1
335D	356	" " " " " Screw	—	1
793D	357	" " Thumb Screw	—	4
90759	345	" " (Hinged) Double complete (for First Seam), Nos. 335D, 90577, 90579, 90580, 90582, 90583, 90741, 90742 and 90758	218	10 0
90577	346	Presser Foot Bracket	86	4 3
90586	346	" " Cloth Guide	95	6
335D	356	" " " " " Screw	—	1
90585	346	" " Retaining Sole	94	2 3½
90579	346	" " " " Pin	91	1½
90580	342	" " " " Spring	92	1
90581	—	" " Sole	87	2 3
90582	346	" " " Pin	89	1½
90583	346	" " " Spring	88	1
793D	357	" " Thumb Screw	—	4
90587	344	" " (Hinged) Double, complete, with Cloth Guide for First Seam (Hamburg), Nos. 335D, 90577, 90579 to 90583, 90585, & 90568	93	10 6

No.	Plate.		Old No.	Price.
90588	346	Presser Foot Bracket	97	2 9
90589	346	" " Sole	98	1 6
90590	346	" " " Pin	99	1 1/2
90590	346	90583 [346] Presser Foot Sole Spring
793D	307	" " " Hand Screw
90591	344	" " (Hinged) Single, complete, for Second Seam, Nos. 90588, 90589, and two 90590	96	6 0
NOTE.—90759 is sent with these Machines unless other Presser Foot is specified on Order.				
90760	355	Thread Divider Spur	111B	2 6
90761	—	Thread Divider, complete, Nos. 90602, 90604, 90606, 90750, 90760, two each 316c, 1575D, and six 207D.	—	9 6
90753	—	Throat Plate	215	4 6
90762	352	" " Rib (Adjustable)	216A	1 0
233D	356	" " " " Screw	—	1
90763	352	" " 90753 with 90762, and two 233D	214A	5 6

Parts Complete

FOR

Nos. 33 K 43 and 33 K 44 Machines

(Drop Feed, with Top Punches, for General Hem-Stitching.)

No.	Plate.		Old No.	Price.
90764	—	Arm	158	—
04389	—	" Dowel Pin (2)	1A/15 K	1
90663	320	" Side Cover	2B	2 6
284D	356	" " " Thumb Screw	—	5
138E	356	" Screw (2)	—	2 1/2
02007	336	" Spool Pin	73/15 K	1
02002	—	" " " " " " " "	—	1
90664	323	Arm Shaft (Hardened and Grooved for Set Screw)	158	3 0
90723	340	" " Bushing (Back) with 448c	3c	4
02803	—	" " " (Front)	6A/15 K	7 1/2
448c	356	" " " Set Screw for 90723	—	1 1/2
90144E	356	" " End Screw for 33 K 43 Machine	—	4
90573	318	Balance Wheel with two 453c for 33 K 43 Machine	71	4 6
80002	—	" " " for 33 K 44 Machine	81/15 K	3 0
453c	356	" " Set Screw for 90573	—	1
90724	340	" " Gear Bushing with 453c and 456c for 33 K 43 Machine	75c	5 0
90725	340	" " " " with 453c and 456c for 33 K 44 Machine	7c	6 0
90507	339	" " " " Collar for 80002	8	1 6
453c	356	" " " " Screw (Long)	—	1
456c	357	" " " " " (Short)	—	1
90668	—	Bed	10A	—
256E	356	Clamp Stop Motion Clamp Sc. for 33 K 44 Mch.	—	1 3
248	356	" " " " Stop Screw for 33 K 44 Mch.	—	1
02020	335	" " " " Washer for 33 K 44 Mch.	91/15 K	2 1/2
02811	319	Crank Connecting Rod with 02812 and two 158E	13 1/2/15 K	2 8
02812	—	" " " Cap	14A/ " "	—
158E	356	" " " " Screw	—	1 1/2
375c	356	" " " " Hinge Screw	—	6
1518E	357	" " " " " " Nut	—	2
90669	337	Face Plate	33A	6 6

No.	Plate.		Old No.	Price.
90670	—	Face Plate , complete, Nos. 233D, 448C, 600, 1560D, 02108, 02124, 08238, 90568, 90570, 90661, 90669, and two 02102	—	8 6
315c	356	" " Screw Centre	—	2
1519c	357	" " " " Nut	—	1½
90511	327	Feed Bar	21	2 6
90512	339	" " Retaining Spring	21	3
190c	356	" " " " Screw	—	1½
314c 315c 356	356	4/6" " " Screw Centre	—	2
1519c	357	" " " " Nut	—	1½
90513	321	Feed Bell Crank with 1813	15	2 0
7D	356	" " " " Hinge Screw	—	10
1813	357	" " " " Roller and Stud	—	10
90765	333	Feed Cam Gear	220	8 0
SS 44c	—	" " " " Screw	—	1
SS 268c	357	" " " " Stud	—	1 3
1513c	357	" " " " " Nut	—	2½
90672	340	" " " " " Washer	12A	4
555 164c 356	356	½" " " " " Screw	—	2
90766	333	" " " " (Close) 90765 with 164c, SS44c, SS268c, 1513c, 90672 and 90732	219	14 0
90674	320	" " " " Cover for 33 K 43 Machine	76A	3 6
90675	320	" " " " " " 33 K 44 Machine	13A	3 9
180c	322	" " " " " " Screw	—	1½
90676	337	Feed Connection	16B	4 2
90677	—	" " " " 90676 with two each 1519c and 019449	—	8 4
08569	—	" " " " Pin	21/29 K	1
019448	349	" " " " Slide Block	16D	1 5
226 229D 349	—	" " " " " Cap Screw	—	1
012424	349	" " " " " " Washer	16E	1
988c	357	" " " " " " Screw Stud	—	7½
1519c	357	" " " " " " " Nut	—	1½
019449	324	" " " " " " complete, Nos. 229B, 988C, 012424 and 019448	16c	2 0
90678	354	Feed Dog (for Narrow Hem)	161	1 9
90701	353	" " (Plain, Hamburg)	162	1 9
208c	356	" " " " Screw (2) 7/32	—	1
90729	325	Feed Lifting Bell Crank Lever with 1872	30A	3 3
90522	336	" " " " " " Connection with two 175c	31	2 0
175c	356	" " " " " " " Connection Screw	—	1
27D	356	" " " " " " " " Hinge Screw	—	5
1520c	357	" " " " " " " " Hinge Screw Nut	—	1½

No.	Plate.		Old No.	Price.
1872	—	Feed Lifting Bell Crank Lever Roller & Stud	—	10
307c	357	" " " " " " Screw Centre	—	3
1513c	357	" " " " " " " " Nut	—	2½
90730	320	Feed Lifting Rock Shaft	29c	1 3
90731	—	" " " " " " 90730 with 90681	28A	3 0
27D	356	" " " " " " Connection Hinge Screw	—	5
90680	355	" " " " " " Crank with 157c	29D	1 9
90681	—	" " " " " " " 90680 with 1519c and 019449	—	3 11
157c	356	" " " " " " " Clamping Screw	—	2
019448	349	" " " " " " " Slide Block	16D	1 5
267 229B 349	—	" " " " " " " " Cap Sc.	—	1
012424	349	" " " " " " " " Washer	16E	1
988c	357	" " " " " " " " Sc. Stud	—	7½
1519c	357	" " " " " " " " Nut	—	1½
019449	324	" " " " " " " " complete, Nos. 229B, 988C, 012424 and 019448	16c	2 0
307c	357	" " " " " " " " Screw Centre	—	3
1513c	357	" " " " " " " " Nut	—	2½
90527	339	Feed Regulator Bar	17	3 0
193D	356	" " " " " " Binding Screw	—	1½
90528	339	" " " " " " Swivel	18	9
166D	—	" " " " " " Stop Screw	—	3½
SS 192D	349	" " " " " " Thumb Screw	—	3
128D	356	Feed Regulating Stop Screw	—	2
NN 34D	357	" " " " " " Wing Nut	—	8
90529	339	" " " " " " Pad (Leather)	25	1
207c	356	" " " " " " " Screw	—	1
90530	350	" " " " " " " " Washer	25A	1½
90682	323	Feed Rock Shaft	19B	1 6
90683	—	" " " " " " 90682 with 90533	19A	3 9
90533	338	" " " " " " Crank with 207c	21	2 3
08575	336	" " " " " " Pin	38/29 K	1
207c	356	" " " " " " " Set Screw	—	1
307c	356	" " " " " " " Screw Centre	—	3
1513c	357	" " " " " " " " Nut	—	2½
90684	340	" " " " " " Spring	22A	8
90535	339	" " " " " " Adjusting Collar	23	2 6
207c	356	" " " " " " " " Screw	—	1
176c	356	" " " " " " " " Screw	—	1½
90536	338	Needle Bar	36	1 9
90685	324	" " " " " " Connection Stud, with 155c	166	1 0
155c	356	" " " " " " " Set Screw	—	1½

No.	Plate.		Old No.	Price.
90686	337	Needle Bar Connecting Link	37A	1 0
380c	356	" " " " Hinge Screw	—	5
1520a	357	" " " " " Nut	—	1½
90687	324	" " Guide Bracket with 456c	168	1 0
456c	356	" " " " Set Screw	—	1
08223	350	" " Thread Eyelet	11/15 K	½
233D	356	" " " " Screw	—	1
400c	—	Needle Bar Guide Bracket Adjusting Screw	—	1
90538	350	Needle Clamp with 552c	38	6
140545 552c	356	" " Thumb Screw	—	5
90688	323	Needle and Shuttle Vibrating Lever	169	10 0
90689	355	" " Vibrating Lever Cap	170	6
193D	356	" " " " " Screw	—	1½
64D	356	" " " " " Hinge Screw	—	6
180D	322	" " " " " Binding Screw (to fasten to Face Plate)	—	1½
019448	349	" " " " " Slide Block	16D	1 5
226 229	—	" " " " " Cap Screw	—	1
012424	349	" " " " " " " " Washer	16E	1
988c	357	" " " " " " " Screw Stud	—	7½
1519a	357	" " " " " " " " Nut	—	1½
019449	324	" " " " " " " complete, Nos. 226 229, 988c, 012424, and 019448	10c	2 0
90732	333	Needle Side Shift Cam	203	4 0
90733	324	" " " " Adj'm't Regulator Yoke	201A	5 6
90692	324	" " " " " " Guide Bracket	173	9
207c	356	" " " " " " " Screw	—	1
568c	357	" " " " " " " Hinge Screw	—	7½
1513c	357	" " " " " " " " Nut	—	2½
R.R. 56 RR 47	349	" " " " " " " Roller & Screw Stud	—	1 0
1519a	357	" " " " " " " Roller & Screw Stud Nut	—	1½
90693	324	" " " " " " " Reg'ing Disc	174	2 6
SS 114D	357	" " " " " " " Thumb Screw	—	3
04304	338	Osc' Rock Shaft (Steel Hardened) with 04784	—	4 2
03052	356	" " " " " Hinge Pin	—	2 0
1513c	357	" " " " " " Nut	—	2½
035c	356	" " " " " " Screw Bearing	—	4
1513c	357	" " " " " " " Nut	—	2½
04784	—	" " " " " Oil Pad	—	½

No.	Plate.		Old No.	Price.
90545	319	Osc' Shuttle Shaft	15	3 6
90694	—	" " " " 90545 with 90696	11A	5 0
90547	336	" " " " Collar	18	4
07958	42	" " " " " Pin	25 T.M.S.	½
90695	324	" " " " Crank, with 207c	16A	1 6
90696	—	" " " " " 90695 with 1519a & 019449	—	3 9
02049	336	" " " " " Pin	50/15 K	½
207c	356	" " " " " Set Screw	—	1
019448	349	" " " " " Slide Block	16D	1 5
226 229	—	" " " " " " " Cap Screw	—	1
012424	349	" " " " " " " Washer	16E	1
988c	357	" " " " " " " Screw Stud	—	7½
1519a	357	" " " " " " " Nut	—	1½
019449	324	" " " " " " " complete, Nos. 226 229, 988c, 012424, & 019448	16c	2 0
90549	338	" " " " " Vibrating Yoke, with 159c	17	3 0
159c	356	" " " " " Clamping Screw	—	1½
90550	338	Presser Bar	19	1 6
02038	—	" " Spring Bracket with 453c	53/15 K	1 0
453c	356	" " " " " Set Screw	—	1
02821	335	Presser Bar Lifter	55B/15 K	10
689c	—	" " " " " Hinge Screw	—	5
1520a	357	" " " " " " Nut	—	1½
80011	336	Presser Bar Spring	57A/15 K	2½
02070	336	" " " " " Washer	58A/ "	1½
263D	356	" " " " " Thumb Screw	—	10
90552	343	Presser Foot Bracket	56	4 3
175D	356	" " " " " Clamping Screw	—	1
90620	346	" " " " " Leg (Left) Adjustable	121	2 3
90554	343	" " " " " Cap	58	3
99D	356	" " " " " " Screw	—	2½
90621	346	" " " " " (Right)	125	2 3
335D	356	" " " " " " Screw	—	1
90556	343	" " " " " Spring	60	1
335D	356	" " " " " " Screw	—	1
90622	343	" " " " " (Spring Adjustable), complete, Nos. 175D, 90552, 90554, 90556, 90620, 90621, two 99D, and three 335D	123	10 0
90697	347	Shuttle (Solid), 1½" diam., 012393 with 02518 and 015142	235	7 0
012393	—	" " Body	—	3 0
02518	347	" " Robbin	—	2½
015142	—	" " Case, complete, Nos. 591, 592B, 02523, 02975, 015027, 015098, and 015141	—	3 0
015141	—	" " " Hinge, complete, Nos. 02973, 02974, and 015140	—	1 0

No.	Plate.	Old No.	Price
015140	347		5
02973	347		5
02974	347		5
02975	347		1
592B	356		1
015027	347		2½
02523	—		1 0
015098	347		5
591	356		1
90562	348	127	4 6
198	356		2
90563	348	127A	1 6
02532	347		5
02533	348		6
648D	356		3½
90564	348	128	8
90657	—		1
Shuttle Race Body, 90814 with 90744, two each 662d and 2532.			
90564, two each 662d and 62532			
90566	347	61	5 0
012394	—		3 0
012444	325		3 0
02049	336	50/15 K	½
415 462c	—		1
015188	350		1 0
015147	—		1 3
02824	350		2½
50216 240	356		1
600	356		5
448c	356		1½
1560D	357		2
02102	335	88/15 K	2½
08238	349	96/27K & 28K	2½
418D	357		4
1562D	357		2
02455	340	60 B.W.	1
010141	340	259 "	½
08620	340	95/29 K	1
90568	350	33	1
02108	350	37A/15 K	½
02296	348		4 2
448c	356		1½
1293c	—		2½

No.	Plate.	Old No.	Price.
90569	—		2 0
70c 356	—		3
1822	357		10
02124	349		1½
90661	350		2
233D	356		1
90570	350		½
90767	353		5 6
691D	356		2
90623	341		1 9
90768	324		1 6
180D	322		1½
90624	341		1 0
175A	356		1
456c	357		1
90625	341		3 0
148c	356		1½
90626	341		4 6
175A	356		1
90627	—		—
158E	356		1½
27D	356		5
90769	337		2 6
90629	341		6
208D	356		1
456c	357		1
90770	320		4 0
90771	—		6 1
307c	357		3
1513E	357		2½
019448	349		1 5
223B	—		1
012124	349		1
988c	357		7½
1519A	357		1½
019449	324		2 0
90631	341		3 6
193c	356		1½
90772	345		7½
237c	356		1
80015	—		7½
08909	—		5
*15404	—		...
15405	—		...

Parts Special to Nos. 33K45 & 33K46 Machines

(Drop Feed, with Top Punches and Jointed Yoke, making 10 Spokes to the Inch, for General Hem-Stitching.)

These Machines are the same as 33 K 43 and 33 K 44, with the following exceptions:—

No.	Plate.		Old No.	Price.
90773	342	Jointed Punch Yoke Bracket	226	2 0
90774	342	" " " Hinge Pin	227	2
237c	356	" " " Punch Screw	—	1
90775	342	" " " Releasing Lever	230	1 0
90776	342	" " " Hinge Pin	231	1
90777	342	" " " Spring	232	2
233q	356	" " " Screw	—	1
90778	342	" " " Spring	228	2
SS 184c	357	" " " Screw	—	2
90779	342	" " " Hook	229	1
90780	342	" " " Frame with 193c	225	6 0
193c	356	" " " Clamping Screw	—	1½
237c	356	" " " Punch Screw	—	1
90781	340	" " " complete, Nos. 233q, SS184c, 90773 to 90780, and three 237c	224	10 0
90552	343	Presser Foot Bracket	56	4 3
175D	356	" " " Clamping Screw	—	1
90719	346	" " " Cord Guide	176	6
337D	356	" " " Screw	—	1
90782	346	" " " Leg (Left), Adjustable	177	2 3
90554	343	" " " Cap	58	3
99D	356	" " " Screw	—	2½
90783	346	" " " (Right)	178	2 3
335D	356	" " " Screw	—	1
90556	343	" " " Spring	60	1
335D	356	" " " Screw	—	1
90784	345	" " " (Spring Adjustable) with Adjustable Cord Guide for Straight Rows of Stitching, Nos. 175D, 337D, 90552, 90554, 90556, 90719, 90782, 90783, two 99D, and three 335D	175	10 6
90785	354	Throat Plate (for Grooved Punch) 10 spokes per in.	233	5 6
90772	345	Top Punch (triangular) nearest operator	223	7½
90787	345	" " (grooved)	223A	7½

Parts Special to Nos. 33K47 & 33K48 Machines

(Drop Feed, with Top Punches and Jointed Yoke, making 14 Spokes to the Inch, for General Hem-Stitching.)

These Machines are the same as 33 K 43 and 33 K 44, with the following exceptions:—

No.	Plate.		Old No.	Price.
90773	342	Jointed Punch Yoke Bracket	226	2 0
90774	342	" " " Hinge Pin	227	2
237c	356	" " " Punch Screw	—	1
90775	342	" " " Releasing Lever	230	1 0
90776	342	" " " Hinge Pin	231	1
90777	342	" " " Spring	232	2
233q	356	" " " Screw	—	1
90778	342	" " " Spring	228	2
SS 184c	357	" " " Screw	—	2
90779	342	" " " Hook	229	1
90780	342	" " " Frame with 193c	225	6 0
193c	356	" " " Clamping Screw	—	1½
237c	356	" " " Punch Screw	—	1
90781	340	" " " complete, Nos. 233q, SS184c, 90773 to 90780, and three 237c	224	10 0
90552	343	Presser Foot Bracket	56	4 3
175D	356	" " " Clamping Screw	—	1
90719	346	" " " Cord Guide	176	6
337D	356	" " " Screw	—	1
90782	346	" " " Leg (Left), Adjustable	177	2 3
90554	343	" " " Cap	58	3
99D	356	" " " Screw	—	2½
90783	346	" " " (Right)	178	2 3
335D	356	" " " Screw	—	1
90556	343	" " " Spring	60	1
335D	356	" " " Screw	—	1
90784	345	" " " (Spring Adjustable), with Adjustable Cord Guide for Straight Rows of Stitching, Nos. 175D, 337D, 90552, 90554, 90556, 90719, 90782, 90783, two 99D, and three 335D	175	10 6
90788	354	Throat Plate (for Grooved Punch) 14 spokes per in.	236	5 6
90789	345	Top Punch (solid, triangular) nearest operator	223B	7½
90790	345	" " (grooved)	223C	7

Parts Special to Nos. 33K49 & 33K50 Machines

(Drop Feed, with Top Punches, making 14 Spokes to the Inch,
for Hem-Stitching Handkerchiefs.)

These Machines are the same as 33 K 43 and 33 K 44, with the following exceptions:—

No.	Plate.		Old No.	Price.
90726	334	Feed Cam Gear	202	8 0
90727	334	" " " 90726 with 164c, SS44c, SS268c, 1513c, 90672, and 90732	201	14 0
90732	333	Needle Side Shift Cam	203	4 0
90734	349	Shuttle (Solid, 1 1/8" diam.) 022169 with 02518 & 015142	253	6 3
022169	—	" Body	—	3 0
022171	—	Shuttle Driver	—	4 2
022172	325	" " 022171 with two 462c	—	4 2
90791	352	Throat Plate (19 spokes per inch)	165	5 6
90792	353	" " (14 spokes per inch)	239	5 6
90793	354	" " Grooved Punch (14 spokes per inch)	240	5 6
NOTE.—No. 90792 is sent with these Machines unless other Throat Plate is specified on order.				
90789	345	Top Punch (Solid, triangular) nearest operator	223D	7 1/2
90790	346	" " (Grooved)	223C	7 1/2
90794	345	" " (Oval) nearest operator for 14 spokes	223D	7 1/2
90795	345	" " (") for 14 spokes	223K	7 1/2
90796	345	" " (") for 19 spokes	223F	7 1/2
90797	345	" " (") for 19 spokes	223A	7 1/2

Parts Special to Nos. 33 K 51 & 33 K 52 Machines

(Drop Feed, with Top Punches and Jointed Yoke with
Backward Stitch, making 10 Spokes to the Inch,
for Hem-Stitching on Fine Gauze.)

These Machines are the same as 33 K 43 and 33 K 44, with the following exceptions:—

No.	Plate.		Old No.	Price.
90798	330	Feed Cam Gear	211	8 0
90799	330	" " " 90798 with 164c, SS44c, SS268c, 1513, 90672, and 90801	213	14 0
90701	353	Feed Dog (for coarse work)	162	1 9
90800	354	" " (for gauze work)	216	2 0
90773	342	Jointed Punch Yoke Bracket	225	2 0
90774	342	" " " " Hinge Pin	227	2
237c	356	" " " " Punch Screw	—	1
90775	342	" " " " Releasing Lever	230	1 0
90776	342	" " " " " " Hinge Pin	231	1
90777	342	" " " " " " Spring	232	2
233c	356	" " " " " " Screw	—	1
90778	342	" " " " " Spring	228	2
SS184c	357	" " " " " Screw	—	2
90779	342	" " " " " Hook	229	1
90780	342	" " " " Frame, with 193c	225	6 0
193c	356	" " " " " Clamping Screw	—	1 1/2
237c	356	" " " " " Punch Screw	—	1
90781	340	" " " " complete, Nos. 233c, SS184c, 90773 to 90780, and three 237c	221	10 0
90801	330	Needle Side Shift Cam	247	4 0
90552	343	Presser Foot Bracket	56	4 3
175D	356	" " " " Clamping Screw	—	1
90719	346	" " " " Cord Guide	176	6
337D	356	" " " " Screw	—	1
90782	346	" " " " Leg (Left) Adjustable	177	2 3
90554	343	" " " " Cap	58	3
99D	356	" " " " " Screw	—	2 1/2
90783	346	" " " " (Right)	178	2 3
335D	356	" " " " " Screw	—	1
90556	343	" " " " Spring	60	1
335D	356	" " " " " Screw	—	1
90784	345	Presser Foot, complete (Spring Adjustable), with Adj'ble. Cord Guide for Straight Rows of Stitching, Nos. 175D, 337D, 90552, 90554, 90556, 90719, 90782, 90783, two 99D, & three 335D	175	10 6
90785	354	Throat Plate (for Grooved Punch) (10 spokes per inch)	233	5 6
90772	345	Top Punch (Triangular) nearest operator	223	7 1/2
90787	345	" " (Grooved)	223A	7 1/2

Parts Special to Nos. 33K53 & 33K54 Machines

(Drop Feed, with Top Punches and Jointed Yoke with no Backward Stitch, making 12 Spokes to the Inch, for Hem-Stitching on Fine Gauze.)

These Machines are the same as 33 K 43 and 33 K 44, with the following exceptions:—

No.	Plate.		Old No.	Price.
90798	330	Feed Cam Gear	214	8 0
90799	330	" " " 90798 with 164c, SS44c, SS268c, 1513c, 90672 and 90801	213	14 0
90701	353	Feed Dog (for coarse work)	162	1 9
90800	354	" " (for gauze work)	246	2 0
90773	342	Jointed Punch Yoke Bracket	225	2 0
90774	342	" " " " Hinge Pin	227	2
237c	356	" " " " Punch Screw	—	1
90775	342	" " " " Releasing Lever	230	1 0
90776	342	" " " " " Hinge Pin	231	1
90777	342	" " " " " Spring	232	2
233a	356	" " " " " Screw	—	1
90778	342	" " " " " Spring	228	2
SS 184c	357	" " " " " Screw	—	2
90779	342	" " " " " Hook	229	1
90780	342	" " " " Frame with 193c	225	6 0
193c	356	" " " " " Clamping Screw	—	1½
237c	356	" " " " " Punch Screw	—	1
90781	340	" " " " complete, Nos. 233a, SS184c, 90773 to 90780, and three 237c	224	10 0
90801	330	Needle Side Shift Cam	217	4 0
90552	343	Presser Foot Bracket	56	4 3
175D	356	" " " " Clamping Screw	—	1
90719	346	" " " " Cord Guide	176	6
337D	356	" " " " " Screw	—	1
90782	346	" " " " Leg (Left), Adjustable	177	2 3
90554	343	" " " " " Cap	58	3
99D	356	" " " " " " Screw	—	2½
90783	346	" " " " (Right)	178	2 3
335D	356	" " " " " " Screw	—	1
90556	343	" " " " " Spring	60	1
335D	356	" " " " " " Screw	—	1
90784	345	" " " " complete (Spring Adjustable), with Adjustable Cord Guide for Straight Rows of Stitching, Nos. 175D, 337D, 90552, 90554, 90556, 90719, 90782, 90783, two 99D, and three 335D	175	10 6
90803	353	Throat Plate (12 spokes per inch)	252	5 6
90804	345	Top Punch (Triangular) nearest operator	223B	7½
90805	345	" " (Grooved)	2231	7½

Parts Special to Nos. 33K55 & 33K56 Machines

(Drop Feed, with Top Punches and Jointed Yoke with no Backward Stitch, making 14 Spokes to the Inch, for Hem-Stitching on Fine Gauze.)

These Machines are the same as 33 K 43 and 33 K 44, with the following exceptions:—

No.	Plate.		Old No.	Price.
90798	330	Feed Cam Gear	214	8 0
90799	330	" " " 90798 with 164c, SS44c, SS268c, 1513c, 90672, and 90801	243	14 0
90701	353	Feed Dog (for coarse work)	162	1 9
90800	354	" " (for gauze work)	216	2 0
90773	342	Jointed Punch Yoke Bracket	225	2 0
90774	342	" " " " Hinge Pin	227	2
237c	356	" " " " " Punch Screw	—	1
90775	342	" " " " " Releasing Lever	230	1 0
90776	342	" " " " " Hinge Pin	231	1
90777	342	" " " " " Spring	232	2
233a	356	" " " " " " Screw	—	1
90778	342	" " " " " Spring	228	2
SS 184c	357	" " " " " Screw	—	2
90779	342	" " " " " Hook	229	1
90780	342	" " " " Frame with 193c	225	6 0
193c	356	" " " " " Clamping Screw	—	1½
237c	356	" " " " " Punch Screw	—	1
90781	340	" " " " complete, Nos. 233a, SS184c, 90773 to 90780, and three 237c	221	10 0
90801	330	Needle Side Shift Cam	217	4 0
90552	243	Presser Foot Bracket	56	4 3
175D	356	" " " " Clamping Screw	—	1
90719	346	" " " " Cord Guide	176	6
337D	356	" " " " " Screw	—	1
90782	346	" " " " Leg (Left), Adjustable	177	2 3
90554	343	" " " " " Cap	58	3
99D	356	" " " " " " Screw	—	2½
90783	346	" " " " (Right)	178	2 3
335D	356	" " " " " " Screw	—	1
90556	343	" " " " " Spring	60	1
335D	356	" " " " " " Screw	—	1
90784	345	" " " " complete (Spring Adjustable), with Adjustable Cord Guide for Straight Rows of Stitching, Nos. 175D, 337D, 90552, 90554, 90556, 90719, 90782, 90783, two 99D, and three 335D	175	10 6
90788	354	Throat Plate for Grooved Punch (14 spokes to the inch)	236	5 6
90789	345	Top Punch (Triangular) nearest operator	223B	7½
90790	345	" " (Grooved)	223C	7½

MACHINE HINGES.

No.	Plate.	Old No.	Price.
08206		Machine Hinge Nos. 525B, 08204, and 08205	10 1/2
525B		" Bolt	7 1/2
1518B	357	" " " Nut	2
02807		" " " Washer	1/2
08204		" " " Connection	3
08205		" " " Hinge Pin	1/2
08202	357	08306 with 1518B and 02807, for Mch. on Stand Table	1 0
80255		Machine Hinge Nos. 8875B, 08204, and 08205	10 1/2
8875B		" Bolt	8
1518B	357	" " " Nut	2
02807		" " " Washer	1/2
08204		" " " Connection	3
08205		" " " Hinge Pin	1/2
90040	357	80255 with 1518B and 02807, for Mch. on Power Table	1 0

ACCESSORIES (for Loose Wheel Machines.)

(FOR GREAT BRITAIN.)

02518	347	Bobbins (6) 2 3/51	2 1/2
—	—	Instruction Book	—
35676 026400	—	Oiler with 026402 35678. <i>Special Order 1722 A. & A.</i>	2 1/2
85318	—	Screw Driver (Machine)	2
131378 026405	—	" " (Shuttle Tension)	2 1/2
02124	340	Thread Take-up Spring	1 1/2
35113	—	<i>Swing zero for 332, 45, 332, 45, 332, 45</i>	3

ACCESSORIES (for Tight Wheel Machines.)

(FOR GREAT BRITAIN.)

These Accessories are the same as above with the following addition :—

84107	—	Bobbin Winder (Swinging Automatic, complete, Right Hand)	—	5 2
-------	---	--	---	-----

BOBBIN WINDERS.

BOBBIN WINDER (Eccentric) for Loose Wheel Machines.

No.	Plate.	Old No.	Price.
02466	322	Eccentric	78 B.W. 7 1/2
286D	322	" Thumb Screw	— 5
90806	322	Frame	295 1/2 B.W. 9
180D	322	" Screw	— 1 1/2
90807	322	Spindle	91B B.W. 6
08371	322	" Pulley	13 " 4
02160	322	" " Rubber Ring	11 " 1
90808	322	Bobbin Winder, complete, Nos. 286D, 02466, 08371, 90806, and 90807	29 1/2 " 12 6

BOBBIN WINDER (Swinging Automatic, Right Hand) for 02518.

84101	—	Base	159 B.W. 7 1/2
027302	—	Frame	135 " 7 1/2
32D	—	" Hinge Screw	— 5
027303	—	" Spring	156 B.W. 1 1/2
027304	—	Pulley	158 " 7 1/2
84109	—	Spindle, with 015072	157 " 10
015072	—	" Bobbin Position Pin	51 " 5
027306	—	Spool Pin	257 " 2 1/2
027307	—	" Stand	256 " 5
027308	322	" " (027307), with 418D, 1562D, 02106, 010141, 027306, Wood Screw, 1", No. 10, and two 02455	255 " 1 5
027312	—	Stop Latch	160 " 4
35D	—	" Hinge Screw	— 3 1/2
02455	340	Tension Disc	60 B.W. 1
1562D	357	" Regulating Thumb Nut	— 2
418D	357	" Screw Stud	— 4
010141	340	" Spring	259 B.W. 1 1/2
02106	—	Thread Guide	260 " 1 1/2
84108	322	Bobbin Winder, Nos. 32D, 35D, 027302 to 027304, 027312, 84104, 84109, and two Wood Screws, 1", No. 7	154 " 3 9
84107	—	Bobbin Winder (Swinging Automatic, Right Hand), complete, Nos. 027308 and 84108	— 5 2

STANDS AND STAND PARTS.

STAND No. 82617.

(12½" BAND WHEEL.)

KNEE LIFTER PARTS.

No.	Plate.	Old No]	Price.
90817 80202	74	257 P.T.F.	10
694D	"	"	7½
012243	74		
80203	"	261A P.T.F.	7½
06337	74	261 "	1 3
356c	"	265 "	10
	"	"	3
87317	—	D.P. 56 C.P.	10
02767	74		
356c	"	266 P.T.F.	9
80204	74		
02766	74	267 P.T.F.	5
356c	"	268 "	7½
	"	"	3
90809	—		
453c	356	141A P.T.F.	9
	"	"	1
2763 80208	74	269 P.T.F.	5
80262	"	"	3 4
80200	74	270A P.T.F.	4
	"	"	—
90810	—		
		255 P.T.F.	7 0

No.	Plate.	Old No.	Price.
025005	40	16 T.M.S.	3 9
025010	40	2A "	7½
02117	—	"	½
297c	42	"	5
1507E	42	"	2½
025373	—	"	10
025127	—	"	½
82613	40	6A T.M.S.	4
507E	42	"	1
1515E	42	"	1
82627	40	7A T.M.S.	2½
025033	42	8 "	1
34D	42	"	3
025036	40	9c T.M.S.	6 0
506E	42	"	1½
1510E	42	"	1
82628	40	123 T.M.S.	1 10
504E	42	"	1½
1510E	42	"	1
025063	40	15A T.M.S.	7 6
025068	42	16A "	2½
025069	42	17A "	½
82616	40	18A "	7 6
025074	40		
025123	42	19 "	1 0
558E	42	20 "	1
1570E	42	"	1½
025075	42	"	1
025081	40	21 T.M.S.	½
011742	42	22B "	2 8
07958	42	24 "	½
297c	42	25 "	½
1507E	42	"	5
82883	—	"	2½
—	—	"	5
82617	40		

STAND No. 82623.

(12½" BAND WHEEL.)

SECTIONAL BRACE, EXPORT ONLY.)

This Stand is the same as No. 82617, with the following exceptions:—

No.	Plate.		Old No.	Price.
82619	40	Belt Guide with 507E	6F T.M.S.	4
025184	40	Brace (Sectional), complete Nos. 025185, 025186, & three 507E	9U ..	6 8
025185	—	" Section (Right) with two each 297C and 1507E	—	4 4
025186	—	" " (Left) with 297C and 1507E	—	2 3
507E	42	" Connecting Bolt with 1515E	—	1
1515E	42	" " " Nut	—	1
82623	40	Stand, complete, Nos. 504E, 025005, 025063, 025074, 025081, 025184, 025373, 82616, 82619, 82628, 82883, four 506E, and four Wood Screws, 1", No. 12	217 T.M.S.	—

STAND No. 82618.

(15" BAND WHEEL.)

This Stand is the same as No. 82617, with the following exceptions:—

No.	Plate.		Old No.	Price.
025006	—	Band Wheel 15" with 02117 and 025010	13 T.M.S.	4 2
82680	—	Belt, size ⅜", length 64½" with 025127	B. 19 ..	10
82614	—	Belt Guide with 507E	6B ..	4
025032	42	Belt Shifter	7 ..	2½
82605	—	Brace with three each 297C and 1507E	9A ..	6 0
82615	—	Dress Guard with 34D, 025032, and 025033	12B ..	2 0
82618	—	Stand, complete, Nos. 504E, 025006, 025063, 025074, 025081, 82605, 82614 to 82616, 82680, 82883, four 506E, and four Wood Screws, 1", No. 12	219 ..	—

STAND No. 82624.

(15" BAND WHEEL.)

(SECTIONAL BRACE, FOR EXPORT ONLY.)

This Stand is the same as No. 82617, with the following exceptions:—

No.	Plate.		Old No.	Price.
025006	—	Band Wheel 15" with 02117 and 025010	13 T.M.S.	4 2
82680	—	Belt, size ⅜", length 64½" with 025127	B. 19 ..	10
82614	—	Belt Guide with 507E	6B ..	4
025032	42	Belt Shifter	7 ..	2½
82620	—	Brace (Sectional) complete, Nos. 82621, 82622, & three 507E	9AA ..	6 8
82621	—	" Section (Right) with two each 297C and 1507E	—	4 4
82622	—	" " (Left) with 297C and 1507E	—	2 3
507E	42	" Connecting Bolt with 1515E	—	1
1515E	42	" " " Nut	—	1
82615	—	Dress Guard with 34D, 025032, and 025033	12B T.M.S.	2 0
82624	—	Stand, complete, Nos. 504E, 025006, 025063, 025074, 025081, 82614 to 82616, 82620, 82680, 82883, four 506E, and four Wood Screws, 1", No. 12	220 ..	—

STAND No. 82611.

(12½" BAND WHEEL AND HEAVY LEGS.)

No.	Plate.		Old No.	Price.
82601	—	Band Wheel 12½" with 02117 and 025010	1x T.M.S.	3 9
025010	40	" " Crank	2A "	7½
02117	—	" " " Pin	—	½
297c	42	" " " Screw Centre	—	5
1507E	42	" " " " Nut	—	2½
025373	—	Belt , size ⅜", length 60½" with 025127	—	10
025127	—	" Hook	—	½
025036	40	Brace with three each 297c and 1507E	9c T.M.S.	6 0
534E	—	" Bolt with 1510E	—	1½
1510E	42	" " Nut	—	1
82606	—	Leg (Right) with two each 82607 and 82608	15M T.M.S.	7 6
82607	—	" " Roller	16 "	2½
82608	—	" " " Pin	17 "	½
82609	—	" (Left)	18M "	7 6
025074	40	Pitman (Adjustable) with two each 558E, 1570E, 025075, and 025123	19 "	1 0
025123	42	" Adjusting Block	20 "	1
558E	42	" " Screw	—	1½
1570E	42	" " " Nut	—	1
025075	42	" " " Washer	21 T.M.S.	½
025081	40	Treadle with 07958 and 011742	22B "	2 8
011742	42	" Pitman Washer	24 "	½
07958	42	" " " Pin	25 "	½
297c	42	" Screw Centre	—	5
1507E	42	" " " Nut	—	2½
82883	—	Wrench for 1507 and 1510	—	5
—	—	Wood Screw , 1", No. 12 (for fixing Table to Stand) per doz.	—	—
82611	—	Stand , complete, Nos. 025036, 025074, 025081, 025373, 82601, 82606, 82609, 82883, four 534E, and four Wood Screws, 1", No. 12	212A T.M.S.	—

STAND No. 82612.

(15" BAND WHEEL AND HEAVY LEGS.)

This Stand is the same as No. 82611, with the following exceptions:—

82602	—	Band Wheel 15", with 02117 and 025010	1x T.M.S.	4 2
82680	—	Belt, size ⅜", length 64½" with 025127	B. 19 "	10
82605	—	Brace with three each 297c and 1507E	9c "	6 0
82612	41	Stand , complete, Nos. 025074, 025081, 82602, 82605, 82606, 82609, 82680, 82883, four 534E, and four Wood Screws, 1", No. 12	214A "	—

STAND No. 82755.

(16" BAND WHEEL AND HEAVY LEGS.)

No.	Plate.		Old No.	Price.
82649	—	Band Wheel 16", with 02117 and 025010	1AAT.M.S.	5 5
025010	40	" " Crank	2A "	7 1/2
02117	—	" " " Pin	—	1/2
297C	42	" " " Screw Centre	—	5
1507E	42	" " " " " Nut	—	2 1/2
025135	—	Belt, size 3/8", length 67 1/2" with 025127	616T.M.S.	10
025127	—	" Hook	—	1/2
82614	—	Belt Guide with 507E	6B T.M.S.	4
507E	42	" " Bolt with 1515E	—	1
1515E	42	" " " Nut	—	1
025032	42	Belt Shifter	7 T.M.S.	2 1/2
025033	42	" " Spring	8 "	1
34D	42	" " Hinge Screw	—	3
82753	—	Brace with three each 297C and 1507E	9000T.M.S.	6 0
534E	—	" Bolt with 1510E	—	1 1/2
1510E	—	" " Nut	—	1
82754	—	Dress Guard with 34D, 025032, and 025033	121 T.M.S.	2 0
504E	42	" " Bolt with 1510E	—	1 1/2
1510E	42	" " " Nut	—	1
82606	—	Leg (Right) with two each 82607 and 82608	15M T.M.S.	7 6
82607	—	" " Roller	16 "	2 1/2
82608	—	" " " Pin	17 "	1/2
82609	—	" " (Left)	18M "	7 6
025074	40	Pitman (Adjustable) with two each 558E, 1570E, 025075, and 025123	19 "	1 0
025123	42	" " Adjusting Block	20 "	1
558E	42	" " " Screw	—	1 1/2
1570E	42	" " " " Nut	—	1
025075	42	" " " " Washer	21 T.M.S.	1/2
025081	40	Treadle with 07958 and 011742	22B "	2 8
011742	42	" Pitman Washer	24 "	1/2
07958	42	" " " Pin	25 "	1/2
297C	42	" " " Screw Centre	—	5
1507E	42	" " " " Nut	—	2 1/2
82883	—	Wrench for 1507 and 1510	—	5
—	—	Wood Screw, 1", No. 12 (for fixing Table to Stand) per doz.	—	—
82755	—	Stand, complete, Nos. 504E, 025074, 025081, 025135, 82606, 82609, 82614, 82649, 82753, 82754, 82883, four 534E, and four Wood Screws, 1", No. 12	272 T.M.S.	—

NUMERICAL LIST OF PARTS

FOR

Class 33 K Machines.

SCREWS.

No.	Plate.		Price.
7D	356	Feed Bell Crank Hinge Screw	10
27D	356	Feed Lifting Rock Shaft Connection Hinge Screw for 33 K 12 to 33 K 17, 33 K 22 to 33 K 29, and 33 K 37 to 33 K 56 Mchs.	5
27D	356	" " Bell Crank Lever Connection Hinge Screw for 33 K 14, 33 K 15, 33 K 22 to 33 K 29, and 33 K 37 to 33 K 56 Mchs.	5
27D	356	Top Punch Connection Link Hinge Screw for 33 K 22 to 33 K 25, and 33 K 43 to 33 K 56 Mchs.	5
32D	—	Bobbin Winder Frame Hinge Screw for 84108	5
34D	42	Belt Shifter Hinge Screw for 82615, 82628, and 82754	3
35D	—	Bobbin Winder Stop Latch Hinge Screw for 84108	3 1/2
36D	356	Presser Bar Lifter Screw for 33 K 12 to 33 K 17, and 33 K 22 to 33 K 29 Mchs. (Obsolete)	5
64D	356	Needle and Shuttle Vibrating Lever Hinge Screw	6
79C	356	Thread Take-up Lever Hinge Screw	3
99D	356	Cord Guide Presser Foot Leg (Left) Cap Screw for 90655	2 1/2
99D	356	Presser Foot Leg (Left) Cap Screw for 90557, 90622, 90711, 90721, and 90784	2 1/2
128	356	Shuttle Race Body Screw for 90565 and 90811	2
128C	356	Thread Divider Rocking Frame Stop Screw for 33 K 14, 33 K 15, 33 K 26, 33 K 27, and 33 K 39 to 33 K 42 Mchs.	2
128D	356	Feed Regulating Stop Screw for 33 K 31 to 33 K 56 Mchs.	2
138E	356	Arm Screw	2 1/2
144P	356	Arm Shaft End Screw for 33 K 12, 33 K 14, 33 K 16, 33 K 31, 33 K 32, 33 K 35, 33 K 37, 33 K 38, 33 K 39, 33 K 40, 33 K 41, 33 K 42, 33 K 43, 33 K 44, 33 K 45, 33 K 46, 33 K 47, 33 K 48, 33 K 49, 33 K 50, 33 K 51, 33 K 52, 33 K 53, 33 K 54, 33 K 55, 33 K 56	3 1/2
145D	—	Shuttle Race Body Screw	4
152C	356	Needle and Shuttle Vibrating Lever Cam Binding Screw for 33 K 24 and 33 K 25 Mchs.	1 1/2
155C	356	Needle Bar Connection Stud Set Screw for 02052 and 90685	1 1/2
157C	356	Feed Lifting Rock Shaft Crank Clamping Sc. for 90525 & 90680	2

Numerical List of Parts.

No.	Plate.		Price.
158B	356	Crank Connecting Rod Cap Screw for 02811	1½
158E	356	Top Punch Connection Link Cap Screw for 90626	1½
159C	356	Osc' Shuttle Shaft Vibrating Yoke Clamping Screw for 90549	1½
164C	356	Feed Cam Gear Screw Stud Washer Screw <i>(obsolete, use SS 17)</i>	2
166D	—	Feed Regulator Bar Swivel Stop Screw	3½
175E	356	Feed Lifting Bell Crank Lever Connection Screw for 90522	1
175F	356	Top Punch Bar Hub Adjusting Screw for 90624	1
175G	356	Top Punch Connection Link Adjusting Screw for 90626	1
175D	356	Cord Guide Presser Foot Bracket Clamping Screw for 90655	1]
175D	356	Presser Foot Bracket Clamping Screw for 90557, 90622, 90711, 90721, and 90784	1
176C	356	Feed Rock Shaft Spring Screw	1½
180C	322	Feed Cam Gear Cover Screw	1½
180D	322	Needle and Shuttle Vibrating Lever Binding Screw (to fasten to Face Plate)	1½
180D	322	Bobbin Winder Frame Screw for 90806	1½
180D	322	Top Punch Bar Cap Screw for 33 K 43 to 33 K 56 Mchs.	1½
190C	356	Feed Bar Retaining Spring Screw	1½
193C	356	Top Punch Yoke Adjusting Screw for 90631	1½
193C	356	Jointed Punch Yoke Frame Clamping Screw for 90780	1½
193C	356	Thread Divider Rocking Frame Cam Screw for 90748 <i>use 90816</i>	1½
193D	356	Feed Regulator Bar Binding Screw	1½
193D	356	Needle and Shuttle Vibrating Lever Cap Screw for 33 K 31 to 33 K 56 Mchs.	1½
193D	356	Thread Divider Screw for 33 K 39 to 33 K 42 Mchs.	1½
207C	356	Feed Cam Gear Cover Bracket Clamping Screw for 33 K 12 to 33 K 17, and 33 K 22 to 33 K 29 Mchs. (Obsolete)	1
207C	356	Feed Cam Gear Cover Screw (for Binding to Bracket) for 33K12 to 33K17, and 33K22 to 33K29 Mchs. (Obsolete)	1
207C	356	Feed Regulating Stop Screw Pad Screw	1
207C	356	Feed Rock Shaft Crank Set Screw for 90533	1
207C	356	" " " Spring Adjusting Collar Screw	1
207C	356	Osc' Shuttle Shaft Crank Set Screw for 90548 and 90695	1
207C	356	Thread Divider Rocking Frame Cam Screw for 90599	1
207D	356	Needle Side Shift Adjustment Regulator Yoke Guide Bracket Screw for 33 K 31 to 33 K 56 Mchs.	1
207D	356	Thread Divider Hinge (Female) Sc. for 90607, 90752, & 90813	1
207D	356	" " Spur Screw for 90607, 90752, and 90813	1
207D	356	" " Wire Cap Screw for 90607, 90752, and 90813	1
207D	356	" " Screw for 33K14, 33K15, 33K26, & 33K27 Mchs.	1
208C	356	Feed Dog Screw	1
208D	356	Top Punch Guide Block Cap Screw for 33 K 22 to 33 K 25, and 33 K 43 to 33 K 56 Mchs.	1
226 ^D	226 ^D	Feed Connection Slide Block Cap Screw for 019449	1
226 ^D	226 ^D	Feed Lifting Rock Shaft Crank Slide Block Cap Screw for 019449	1
226 ^D	226 ^D	Needle and Shuttle Vibrating Lever Slide Block Cap Screw for 019449	1
226 ^D	226 ^D	Osc' Shuttle Shaft Crank Slide Block Cap Screw for 019449	1
226 ^D	226 ^D	Top Punch Rock Shaft Slide Block Cap Screw for 019449	1

Numerical List of Parts.

No.	Plate.		Price.
233E	356	Jointed Punch Yoke Bracket Releasing Lever Spring Screw for 90781	1
233D	356	Needle Bar Thread Eyelet Screw	1
233D	356	Thread Take-up Spring Regulator Screw for 90510, 90656, 90670, and 90700	1
233D	356	Throat Plate Rib Adjustable Screw for 90755 and 90763	1
237C	356	Jointed Punch Yoke Bracket Punch Screw for 90781	1
237C	356	" " " Frame Punch Screw for 90781	1
237C	356	Top Punch Guide Block Screw for 90628 (Obsolete)	1
237C	356	" " Screw for 33 K 22 to 33 K 25, and 33 K 43 to 33 K 56 Mchs.	1
240	356	Feed Regulator Bar Stop Screw for 33 K 37 & 33 K 38 Mchs.	1
240	356	Shuttle Race Slide Spring Screw for 015147	1
240	356	" " " " Catch Screw for 90746 and 90812	1
248	356	Clamp Stop Motion Clamp Stop Screw	1
256E	356	" " " " Screw	1 3
263D	356	Presser Bar Spring Thumb Screw	10
284D	356	Arm Side Cover Thumb Screw for 90662, 90722, & 90749	5
286D	322	Bobbin Winder Eccentric Thumb Screw for 90808 <i>use 90816</i>	5
290B	356	Needle Bar Screw Bushing for 33 K 12 to 33 K 17, & 33 K 22 to 33 K 29 Mchs. (Obsolete)	3
297C	42	Band Wheel Crank Screw Centre for 025036, 025185, 82605, 82621, and 82753	5
297C	42	Treadle Screw Centre for 025036, 025185, 025186, 82605, 82621, 82622, and 82753	5
307C	357	Feed Lifting Bell Crank Lever Screw Centre for 33 K 37 to 33 K 56 Mchs.	3
307C	357	" " Rock Shaft Screw Centre for 33 K 31 to 33 K 56 Mchs.	3
307C	357	Feed Rock Shaft Screw Centre for 33 K 31 to 33 K 56 Mchs.	3
307C	357	Top Punch Rock Shaft Screw Centre for 33K43 to 33K56 Mchs.	3
310C	356	Feed Lifting Bell Crank Lever Screw Centre for 33 K 14, 33 K 15, and 33 K 22 to 33 K 29 Mchs. (Obsolete)	4
310C	356	Top Punch Rock Shaft Screw Centre for 33 K 22 to 33 K 25 Mchs.	4
314 ^C	—	Needle Bar Screw Bushing for 33 K 31 to 33 K 56 (Obsolete)	4
315C	356	Face Plate Screw Centre	2
315C	356	Feed Bar Screw Centre for 33 K 12, 33 K 17, & 33 K 22 to 33 K 29	2
316C	356	Thread Divider Hinge (Female) Screw Centre for 90607, 90752, and 90813	1½
331C	—	Needle Bar Jointed Punch Yoke Frame Clamping Screw for 90708	1
335D	356	Arm Oil Guard Plate Screw for 33 K 12 to 33 K 17, 33 K 22 to 33 K 29, and 33 K 41 to 33 K 42 Mchs.	1
335D	356	Needle Hole Finger Screw for 33 K 12, 33 K 13, 33 K 16, 33 K 17, 33 K 28, and 33 K 29 Mchs.	1
335D	356	Cord Guide Presser Foot Leg (Right) Screw for 90655	1
335D	356	" " " " Spring Screw for 90655	1
335D	356	Presser Foot Leg (Right) Screw for 90557, 90622, 90711, 90721, and 90784	1
335D	356	" " Spring Screw for 90557, 90622, 90711, 90721, and 90784	1
335D	356	" " Cloth Guide Screw for 90587	1

N U T S.

No.	Plate.		Price.
1507E	42	Band Wheel Crank Screw Centre Nut for 297C	2½
1507E	42	Treadle Screw Centre Nut for 297C	2½
1510E	42	Brace Bolt Nut for 506E and 534E	1
1510E	42	Dress Guard Bolt Nut for 504E	1
1513C	357	Feed Cam Gear Screw Stud Nut for SS268C	2½
1513C	357	" Lifting Rock Shaft Screw Centre Nut for 307C and 595C	2½
1513C	357	" Rock Shaft Screw Centre Nut for 307C and 595C	2½
1513C	357	Needle Side Shift Adjustment Regulator Yoke Hinge Screw Nut for 568C	2½
1513C	357	Osc' Rock Shaft Hinge Pin Nut for 03052	2½
1513C	357	" " " " " Screw Bearing Nut for 03052	2½
1513E	—	Feed Lifting Bell Crank Lever Screw Centre Nut for 307C	2½
1513E	357	Top Punch Rock Shaft Screw Centre Nut for 307C	2½
1515E	42	Belt Guide Bolt Nut for 507E	1
1515E	42	Brace Connecting Bolt Nut for 507E	1
1516C	357	Top Punch Rock Shaft Screw Centre Nut for 310C	2½
1516C	357	Feed Lifting Bell Crank Lever Screw Centre Nut for 310C	2½
1518E	357	Machine Hinge Bolt Nut for 525E and SS75E	2
1518E	357	Adjusting Lifting or Stationary Presser Lever Hinge Screw Nut for SS97D	2
1518E	357	Crank Connecting Rod Hinge Screw Nut for 375C	2
1519C	357	Feed Connection Slide Block Screw Stud Nut for 988C	1½
1519C	357	" Lifting Rock Shaft Crank Slide Block Screw Stud Nut for 988C	1½
1519C	357	Face Plate Screw Centre Nut for 315C	1½
1519C	357	Needle and Shuttle Vibrating Lever Slide Block Screw Stud Nut for 988C	1½
1519C	357	Needle Side Shift Adjustment Regulator Yoke Roller and Screw Stud Nut for RA'47	1½
1519C	357	Osc' Shuttle Shaft Crank Slide Block Screw Stud Nut for 988C	1½
1519C	357	Top Punch Rock Shaft Slide Block Screw Stud Nut for 988C	1½
1519E	357	Feed Bar Screw Centre Nut for 315C	1½
1520E	357	Needle Bar Connecting Link Hinge Screw Nut for 380C	1½
1520E	357	Feed Lifting Bell Crank Lever Connection Hinge Sc. Nut for 27D	1½
1520E	357	Presser Bar Lifter Hinge Screw Nut for 689C	1½
1528C	357	Thread Divider Rocking Frame Stop Screw Nut for 128C	1½
1560D	357	Tension Screw Stud Thumb Nut for 600	2
1562D	357	" " " " " " 418D	2
1562D	357	Bobbin Winder Tension Regulating Thumb Nut for 027308	2
1570E	42	Pitman Adjusting Screw Nut for 558E	1
1575D	357	Thread Divider Hinge (Female) Screw Centre Nut for 316C	1½
NN 34D	357	Feed Regulating Stop Screw Wing Nut for 128D and SS56D	8

R O L L E R S.

No.	Plate.		Price.
1813	357	Feed Bell Crank Roller and Stud for 90513	10
1813	357	Osc' Shuttle Shaft Crank Roller and Stud for 90548 (Obsolete)	10
1816	357	Feed Cam Gear Roller and Stud for 90658	10
1816	357	Needle Side Shift Cam Roller and Stud for 90718	10
1816	357	Needle and Shuttle Vibrating Lever Roller and Stud for 90613 and 90660	10
1819	357	Feed Lifting Bell Crank Lever Roller and Stud for 90521 (Obsolete)	10
1922	357	Thread Take-up Lever Roller and Stud for 90569 and 90842	10
1872	—	Feed Lifting Bell Crank Lever Roller and Stud for 90729	10
RR 39	357	Needle and Shuttle Vibrating Lever Roller and Stud for 90639 (Obsolete)	9
RR 40	357	" " " " " " " for 90540 (Obsolete)	9
56. RR 47	349	Needle Side Shift Adjustment Regulator Yoke Roller and Screw Stud for 33 K 31 to 33 K 56 Mchs.	1 0

Numerical List of Parts.

PARTS.

No.	Plate.	Description	Old No.	Price.
02007	336	Arm Spool Pin	73/15 K	1
02020	335	Clamp Stop Motion Clamp Washer	90/ "	2 1/2
02049	336	Osc' Shuttle Shaft Crank Pin	50/ "	1 1/2
02049	336	Shuttle Driver Pin	50/ "	1 1/2
02052	336	Needle Bar Connection Stud with 155c, for 33 K 12 to 33 K 17, 33 K 22 to 33 K 29 Mchs. (Obsolete)	41/ "	1 0
02058	—	Presser Bar for 33 K 14, 33 K 15, 33 K 26 to 33 K 29 and 33 K 37 to 33 K 42 Mchs.	52/ "	1 3
02068	—	" " Spring Bracket with 453c, for 33 K 31 to 33 K 56 Mchs.	53/ "	1 0
02070	336	" " " Washer	58A/ "	1 1/2
02102	335	Tension Disc for 90510, 90656, 90670, and 90700	88/ "	2 1/2
02106	—	Bobbin Winder Thread Guide for 027308	260 B.W.	1 1/2
02108	350	Thread Guard for 90510, 90656, 90670, and 90700	36A/15 K	1 1/2
02117	—	Band Wheel Crank Pin	—	1 1/2
02124	349	Thread Take-up Spring for 90510, 90656, 90670, and 90700	—	1 1/2
02455	340	Tension Disc for 33 K 31 to 33 K 56 Mchs.	60 B.W.	1
02455	340	Bobbin Winder Tension Disc for 027308	60 "	1
02460	322	" " Spindle Pulley Rubber Ring for 90808	14 "	1
02466	322	" " Eccentric for 90808	78 "	7 1/2
02515	—	Shuttle Body for 015100	—	3 0
02518	347	" Bobbin for 015100, 90697, and 90734	—	2 1/2
02523	—	" " Case Position Finger Rivet for 015142 per 100	—	1 0
02532	347	" Race Back Position Pin	—	5
02533	348	" " " Spring for 90565 and 90811	—	6
02766	74	Knee Lifter Knee Plate Arm Bracket with 356c, for 80262	268 P.T.F.	7 1/2
02767	74	" " " with 356c, for 80262	266 "	9
02802	319	Arm Shaft for 33 K 12 to 33 K 17, & 33 K 22 to 33 K 29 Mchs. (Obsolete)	5/15 K	4 2
02803	—	" " Bushing (Front) for 90662, 90722 and 90734	6A/ "	7 1/2
02807	—	Machine Hinge Bolt Nut Washer for 08292B and 80049B	—	1 1/2
02811	319	Crank Connecting Rod with 02812 and two 158r	13 1/2/15 K	2 8
02812	—	" " " Cap for 02811	14A/ "	—
02816	323	Feed Lifting Rock Shaft for 90679	—	1 5
02821	335	Presser Bar Lifter	55F/15 K	10
02824	350	Shuttle Race Slide Spring for 015147	—	2 1/2
02896	348	Thread Take-up Cam (Steel) with 448c and 1293c	—	4 2
02973	347	Shuttle Bobbin Case Latch Lever for 015141	—	5
02974	347	" " " " Fulcrum Pin per 100	—	5
02975	347	" " " " Spring for 015142	—	1
03052	356	Osc' Rock Shaft Hinge Pin	—	2 0
04304	338	" " " (Steel Hardened) with 04784	—	4 2
04389	—	Arm Dowel Pin	4A/15 K	1
04784	—	Osc' Rock Shaft Oil Pad for 04304	—	1 1/2
06337	74	Knee Lifter Bell Crank Lifting Lever Bracket with two 356c, for 80203	265 P.T.F.	10

Numerical List of Parts.

No.	Plate.	Description	Old No.	Price.
07958	42	Needle Bar Jointed Punch Yoke Frame Hinge Pin	25 T.M.S.	1 1/2
07958	42	Osc' Shuttle Shaft Collar Pin	25 "	1 1/2
07958	42	Treadle Pitman Washer Pin	25 "	1 1/2
08223	350	Needle Bar Thread Eyelet	44/15 K	1 1/2
08238	349	Tension Spring for 90510, 90656, 90670, and 90700	96/27K&28K	2 1/2
08292	357	Machine Hinge 08306, with 1518B and 02807 (for Machine on Stand Table)	—	1 0
08294	—	" " Connection for 08306 and 80255	—	3
08295	—	" " " Hinge Pin	—	1 1/2
08306	—	" " Nos. 525B, 08294, and 08295, for 08292	—	10 1/2
08371	322	Bobbin Winder Spindle Pulley for 90808	43 B.W.	4
08569	—	Feed Connection Pin	24/29 K	1
08575	336	" Rock Shaft Crank Pin	38/ "	1
08620	310	Tension Thread Guide for 33 K 31 to 33 K 56 Mchs.	96/ "	1
08709	—	Wrench for 1513	100/15K	5
010141	340	Tension Spring for 33 K 31 to 33 K 56 Mchs.	259 B.W.	1 1/2
010141	340	Bobbin Winder Tension Spring for 027308	259 "	1 1/2
011742	42	Treadle Pitman Washer for 025081	24 T.M.S.	1 1/2
012243	74	Knee Lifter Bell Crank Lifting Lever for 80203	264A P.T.F.	7 1/2
012393	—	Shuttle Body for 90697	—	3 0
012394	—	" Driver for 012444	—	3 0
012424	349	Feed Connection Slide Block Cap Screw Washer for 019449	16E	1
012124	349	" Lifting Rock Shaft Crank Slide Block Cap Screw Washer for 019449	16E	1
012424	349	Needle and Shuttle Vibrating Lever Slide Block Cap Screw Washer for 019449	16E	1
012424	349	Osc' Shuttle Shaft Crank Slide Block Cap Screw Washer for 019449	16E	1
012424	349	Top Punch Rock Shaft Slide Block Cap Screw Washer for 019449	16E	1
012444	325	Shuttle Driver 012394 with two 462c, for 33 K 31 to 33 K 36, 33 K 39 to 33 K 48, & 33 K 51 to 33 K 56 Mchs.	—	3 0
014026	336	Needle and Shuttle Vibrating Lever Regulator Stop Pin	11/29 K	1 1/2
015027	347	Shuttle Bobbin Case Position Finger for 015142	—	2 1/2
015072	—	Bobbin Winder Spindle Bobbin Position Pin per 100	54 B.W.	5
015098	347	Shuttle Tension Spring for 015142	—	5
015100	—	" (Solid), 1 1/8" diam., 02515 with 02518 and 015142, for 33 K 12 to 33 K 17, and 33 K 22 to 33 K 29 Mchs. (Obsolete)	—	6 3
015140	317	" Bobbin Case Latch for 015141	—	5
015141	—	" " " Hinge complete, Nos. 02973, 02974, and 015140, for 015142	—	1 0
015142	—	" " " complete, Nos. 591, 592F, 02523, 02975, 015027, 015098, and 015141, for 015100, 90697, and 90734	—	3 0
015147	—	" Race Slide 015188 with 02824 and two 240, for 33 K 12, 33 K 13, 33 K 16, 33 K 17, 33 K 18, 33 K 19, 33 K 20, 33 K 21, 33 K 22, 33 K 23, 33 K 24, 33 K 25, 33 K 26, 33 K 27, 33 K 28, 33 K 29, 33 K 30, 33 K 31, 33 K 32, 33 K 33, 33 K 34, 33 K 35, 33 K 36, 33 K 37, 33 K 38, 33 K 39, 33 K 40, 33 K 41, 33 K 42, 33 K 43, 33 K 44, 33 K 45, 33 K 46, 33 K 47, 33 K 48, 33 K 49, 33 K 50, 33 K 51, 33 K 52, 33 K 53, 33 K 54, 33 K 55, 33 K 56, 33 K 57, 33 K 58, 33 K 59, 33 K 60	—	1 3
15257	—	Presser Bar for 33K39 to 33K42 Machines	—	1 3
015188	350	Shuttle Race Slide for 015147	—	1 0

Add to description " and 90734." 015278, 347, Shuttle Tension Spring for 015277
 015278, 347, Shuttle Tension Spring for 015277
 015278, 347, Shuttle Tension Spring for 015277
 015278, 347, Shuttle Tension Spring for 015277

Numerical List of Parts.

No.	Plate.	Description	Old No.	Price.
019448	349	Feed Connection Slide Block for 019449	16D	1 5
019448	349	Feed Lifting Rock Shaft Crank Slide Block for 019449	16D	1 5
019448	349	Needle and Shuttle Vibrating Lever Slide Block for 019449	16D	1 5
019448	349	Osc' Shuttle Shaft Crank Slide Block for 019449	16D	1 5
019448	349	Top Punch Rock Shaft Slide Block for 019449	16D	1 5
019449	324	Feed Connection Slide Block complete, Nos. 229D 988c, 012424, and 019448, for 33 K 31 to 33 K 56 Mchs.	16c	2 0
019449	324	" Lifting Rock Shaft Crank Slide Block complete, Nos. 229D 988c, 012424, and 019448, for 33 K 31 to 33 K 53 Mchs.	16c	2 0
019449	324	Needle and Shuttle Vibrating Lever Slide Block complete, Nos. 229D 988c, 012424, and 019448, for 33 K 31 to 33 K 56 Mchs.	16c	2 0
019449	324	Osc' Shuttle Shaft Crank Slide Block complete, Nos. 229D 988c, 012424, and 019448, for 33 K 31 to 33 K 56 Mchs.	16c	2 0
019449	324	Top Punch Rock Shaft Slide Block complete, Nos. 229D 988c, 012424, and 019448, for 33 K 43 to 33 K 56 Mchs.	16c	2 0
022169	—	Shuttle Body for 90734	—	3 0
022171	—	" Driver for 022172	—	4 2
022172	325	" " 022171 with two 462c, for 33 K 37, 33 K 38, 33 K 49, and 33 K 50 Mchs.	—	4 2
025005	40	Band Wheel 12 1/2", with 02117 and 025010, for 82617, and 82623	1a T.M.S.	3 9
025006	—	" " 15", with 02117 and 025010, for 82618, and 82624	1b "	4 2
025010	40	" " Crank for 025005, 025006, 82601, 82602, & 82649	2A "	7 1/2
025032	42	Belt Shifter for 82615 and 82754	7 "	2 1/2
025033	42	" " Spring for 82615, 82628, and 82754	8 "	1
025036	40	Brace with three each 297c and 1507E, for 82611 and 82617	9c "	6 0
025033	40	Leg (Right) with two each 025068 and 025069 for 82617, 82618, 82623, and 82624	15A "	7 6
025068	42	" " Roller for 025063	16A "	2 1/2
025069	42	" " " Pin	17A "	1/2
025074	40	Pitman (Adjustable) with two each 558E, 1570E, 025075, and 025123	19 "	1 0
025075	42	" Adjusting Screw Washer for 025074	21 "	1/2
025081	40	Treadle with 07958 and 011742	22B "	2 8
025123	42	Pitman Adjusting Block for 025074	20 "	1
025127	—	Belt Hook	—	1/2
025135	—	" size 3/8", length 67 1/2" with 025127	B. 175 T.M.S.	10
025184	40	Brace (Sectional) complete, Nos. 025185, 025186, and three 507E, for 82623	9U "	6 8
025185	—	" Section (Right) with two each 297c & 1507E for 025184	—	4 4
025186	—	" " (Left) with 297c and 1507E, for 025184	—	2 3
025373	—	Belt, size 3/8", length 60 1/2" with 025127	—	10
026400	—	Oiler with 026402 156 78 Accessories	172A A.&A	2 1/2
026405	—	Screw Driver (Shuttle Tension)	—	2 1/2

35676
25538

Numerical List of Parts.

No.	Plate.	Description	Old No.	Price.
027302	—	Robbin Winder Frame for 84108	155 R.W.	7 1/2
027303	—	" " " Spring for 84108	157 "	1 1/2
027304	—	" " Pulley for 84108	158 "	7 1/2
027306	—	" " Spool Pin	257 "	2 1/2
027307	—	" " " Stand for 027308	256 "	5
027308	322	" " " " 027307 with 418D, 1562D, 02106, 02107, 027306 Wood Screw, 1"	255 "	1 5
80002	—	Balance Wheel for 33 K 13, 33 K 15, 33 K 17, 33 K 23, 33 K 25, 33 K 27, 33 K 29, 33 K 32, 33 K 34, 33 K 36	160 "	4
36569	—	Oiler (Accessories)	—	2 1/2
50216f	—	Shuttle Race Slide Spring Screw for 15147	—	1
50527c	—	Thread Take-up Lever Hinge Screw	16/19K	0
80011	336	Presser Bar Spring	57A "	2 1/2
80015	—	Wrench for 1519	99A "	7 1/2
80049	357	Machine Hinge, 80255 with 1518B and 02807 (for Mchs. on Power Table)	11A "	1 0
80202	74	Knee Lifter Arm Lever for 90810	257 P.T.F	10
80203	—	" " Bell Crank Lifting Lever 012243, with 06337, for 80262	261 "	1 3
80204	74	" " Knee Plate Arm for 80262	267 "	5
80208	74	" " Rock Shaft for 80262	279 "	5
80209	74	" " " Bracket for 90810	270A "	4
80255	—	Machine Hinge Nos. 80255B, 08294, and 08295, for 80049	—	10 1/2
80262	—	Knee Lifter Rock Shaft	—	—
82216	336	Needle and Shuttle Vibrating Lever Regulator Stop Pin	—	3 4
82202	—	" " 15", with 02117 and 025010, for 82612	1V "	4 2
82605	—	Brace with three each 297c and 1507E, for 82612 and 82618	9z "	6 0
82606	—	Leg (Right) with two each 82697 and 82693, for 82611, 82612, and 82755	15M "	7 6
82607	—	" " Roller for 82606	16 "	2 1/2
82608	—	" " " Pin	17 "	1/2
82609	—	" (Left) for 82611, 82612, and 82755	18M "	7 6
82611	—	Stand complete, Nos. 025036, 025074, 025081, 025373, 82601, 82606, 82609, 82883, four 534E, and four Wood Screws, 1", No. 12	212A "	—
82612	41	Stand complete, Nos. 025074, 025081, 82602, 82605, 82606, 82609, 82680, 82883, four 534E, and four Wood Screws, 1", No. 12	214A "	—
82613	40	Belt Guide with 507E, for 82617	6A "	4
82614	—	" " with 507E, for 82618, 82624, and 82755	6B "	4
82615	—	Dress Guard with 34D, 025032, and 025033, for 82618, and 82624	12B "	2 0
82616	40	Leg (Left) for 82617, 82618, 82623, and 82624	18A "	7 6
82617	40	Stand complete, Nos. 504E, 025005, 025036, 025063, 025074, 025081, 025373, 82613, 82616, 82628, 82883, four 506E, and four Wood Screws, 1", No. 12	216 "	—

Numerical List of Parts.

No.	Plate.	Old No.	Price.
82618	—	219 T.M.S.	—
82619	40	6F "	4
82620	—	9AA "	6 8
82621	—	—	4 4
82622	—	—	2 3
82623	40	217 T.M.S.	—
82624	—	220 "	—
82627	40	7A "	2½
82628	40	12J "	1 10
82649	—	1AA "	5 5
82680	—	B.19 "	10
82753	—	9DD "	6 0
82754	—	12L "	2 0
82755	—	272 "	—
82883	—	—	5
84104	—	159 B.W.	7½
84107	—	—	5 2
84108	322	154 B.W.	3 9
84109	—	157 "	10
85318	—	467 A.&A.	2
87317	—	D.P.56 C.F.	10
90501	—	1	—
90502	339	5	2
90503	319	2	2 6
90504	339	3	4
90505	325	7	6 0
90506	336	6	½
90507	339	8	1 6

Numerical List of Parts.

No.	Plate.	Old No.	Price.
90508	—	—	—
90509	336	10	—
90510	—	33	6 6
90511	327	—	8
90512	339	24	2 6
90513	321	26	3
90514	326	15	2 0
90515	339	11	12 0
90516	318	12	4
90517	339	13	3 6
90518	339	14	6
90519	339	16	6 0
90520	350	16A	9
90521	321	27	1 9
90522	336	30	3 3
90523	319	31	2 0
90524	—	29	1 3
90525	338	28	3 0
90526	339	29A	1 9
90526	339	29B	9
90527	339	29B	9
90528	339	17	3 0
90529	339	18	9
90530	350	25	1
90531	319	25A	½
90532	—	20	1 6
90533	338	19	3 9
90534	348	21	2 3
90535	339	22	8
90536	338	23	2 6
90537	339	36	1 9
		37	1 0

Numerical List of Parts.

No.	Plate.	Description	Old No.	Price.
90538	350	Needle Clamp, with 662c ^{1405 USC 460}	38	6
90539	—	Needle and Shuttle Vibrating Lever for 90540 (Obsolete)	39A	9 3
90540	321	" " " " 90539, with AR 40 and 90543, for 33 K 22, 33 K 23, and 33 K 26 to 33 K 29 Mchs. (Obsolete)	39	10 0
90541	336	" " " Vibrating Lever Regulator for 33 K 22, 33 K 23, & 33 K 26 to 33 K 29 Mchs. (Obsolete)	40	2 6
90542	336	" " " Vibrating Lever Spring for 33 K 12 to 33 K 17, & 33 K 22 to 33 K 29 Mchs. (Obsolete)	41	6
90543	—	" " " Vibrating Lever Spring Hook for 90540, 90613, and 90660 (Obsolete)	42	1
90544	338	Needle Hole Finger for 33 K 28, 33 K 29, 33 K 37, and 33 K 38 Mchs.	43B	4 0
90545	319	Osc' Shuttle Shaft for 90546 and 90694	45	3-0
90546	—	" " " 90545 with 90548, for 33 K 12 to 33 K 17, and 33 K 22 to 33 K 29 Mchs. (Obsolete)	41	5 0
90547	336	" " " Collar	48	4
90548	338	" " " Crank with 207c & 1813, for 90546 (Obsolete)	46	1 6
90549	338	" " " Vibrating Yoke with 159c	47	3 0
90550	338	Presser Bar for 33 K 12, 33 K 13, 33 K 16, 33 K 17, 33 K 22 to 33 K 25, 33 K 28, 33 K 29, 33 K 31 to 33 K 38, and 33 K 43 to 33 K 56 Mchs.	49	1 6
90551	336	Presser Bar Spring Bracket with 453c, for 33 K 12 to 33 K 17, and 33 K 22 to 33 K 29 Mchs. (Obsolete)	53D/15K	1 0
90552	343	Cord Guide Presser Foot Bracket for 90655	56	4 3
90552	343	Presser Foot Bracket for 90557, 90622, 90711, 90721, & 90784	56	4 3
90553	343	" " Leg (Left) Adjustable for 90557	57	2 3
90554	343	" " " " Cap for 90557, 90622, 90711, & 90784	58	3
90555	343	" " " (Right) for 90557	59	2 3
90556	343	" " Spring for 90557, 90622, 90711, 90721, & 90784	60	1
90556	343	Cord Guide Presser Foot Spring for 90655	60	1
90557	343	Presser Foot (Spring Adjustable) complete, Nos. 175D, 90552 to 90556, two 90D, and three 335D, for 33 K 12, 33 K 13, 33 K 16, 33 K 17, 33 K 28, 33 K 29, 33 K 31, 33 K 32, 33 K 37, & 33 K 38 Mchs.	55	10 0
90558	343	" " Bracket for 90561	52	2 9
90559	343	" " Retainer for 90561	54	1 6
90560	343	" " Sole for 90561	53	1 6
90561	343	" " (Adjustable) complete, Nos. 90558 to 90560, two each 337D and 613D, for 33 K 28, 33 K 29, 33 K 37, and 33 K 38 Mchs.	51	6 0
90562	348	Shuttle Race Body for 90565	127	4 6
90563	348	" " Back for 90565 and 90811	127A	1 6
90564	348	" " Cap for 90565	128	8
90565	347	" " complete, Nos. 648D, 02533, 90562 to 90564, two each 662D and 02532, for 33 K 12 to 33 K 17, 33 K 22 to 33 K 29, 33 K 31 to 33 K 38, and 33 K 43 to 33 K 56 Mchs.	126	7 0

Numerical List of Parts.

No.	Plate.	Description	Old No.	Price.
90566	347	Shuttle Race Carrier	64	5 0
90567	—	" Driver with two 457c, for 33 K 12 to 33 K 17, and 33 K 22 to 33 K 29 Mchs. (Obsolete)	65	2 6
90568	350	Thread Eyelet for 90510, 90656, 90670, and 90700	35	1
90569	—	Thread Take-up Lever with 1822 Obsolete, use 90811, 90812	77	2 0
90570	350	" " Staple for 90510, 90656, 90670, and 90700	68	1 1/2
90571	350	Throat Plate for 90544 and 90648 for 33 K 12, 33 K 13, 33 K 16, 33 K 17, 33 K 28, and 33 K 29 Mchs.	67	4 0
90572	350	" " (Plain Needle Slot) for 90619, for 33K12, 33K13, 33 K 16, 33 K 17, 33 K 28, & 33 K 29 Mchs.	67A	4 0
90573	318	Balance Wheel with two 453c, for 33 K 12, 33 K 14, 33K16, 33 K 22, 33 K 24, 33 K 26, 33 K 28, 33 K 31, 33 K 33, 33 K 35, 33 K 37, 33 K 39, 33 K 41, 33 K 43, 33 K 45, 33 K 47, 33 K 49, 33 K 51, 33 K 53, and 33 K 55 Mchs.	71	4 6
90574	326	" " Gear Bushing for 33 K 14, 33 K 22, 33 K 24, 33 K 26, and 33 K 28 Mchs. (Obsolete)	75	5 0
90575	318	Feed Cam Gear Cover for 33 K 12, 33 K 14, 33 K 16, 33 K 22, 33 K 24, 33 K 26, and 33 K 28 Mchs. (Obsolete)	76	3 6
90576	351	Feed Dog for 33 K 14, 33 K 15, 33 K 26, and 33 K 27 Mchs. (Obsolete)	80	1 9
90577	346	Presser Foot Bracket for 90584, 90587, 90594, 90743, & 90759	86	4 3
90578	—	" " Retaining Sole for 90584	90	2 3
90579	346	" " " " Pin	91	1 1/2
90580	342	" " " " Spring for 90584, 90587, 90594, 90743, and 90759	92	1
90581	—	Needle Bar Jointed Punch Yoke Frame Releasing Lever Hinge Spring	92	1
90582	346	Presser Foot Sole for 90584 and 90587	87	2 3
90583	346	" " " Pin 90591	89	1 1/2
90584	344	" " " Spring for 90584, 90587, 90594, 90743, and 90759	88	1
90585	346	" " (Hinged) Double, complete, for first seam, Nos. 90577 to 90583, for 33 K 14, 33 K 15, 33 K 26, and 33 K 27 Mchs. (Obsolete)	85	10 0
90586	346	" " Retaining Sole for 90587	94	2 3
90587	344	" " Cloth Guide for 90587	95	6
90588	346	" " (Hinged) Double, complete, with Cloth Guide, for first seam (Hamburg), Nos. 335D, 90577, 90579 to 90583, 90585, and 90586, for 33 K 14, 33 K 15, 33 K 26, 33 K 27, 33 K 41, and 33 K 42 Mchs.	93	10 6
90588	346	" " Bracket for 90591	97	2 9
90589	346	" " Sole for 90591	98	1 6
90590	346	" " " Pin	99	1 1/2
90590	—	" " " Step Pin	99	1 1/2
90591	344	" " (Hinged) Single, complete, for second seam, 90583. Nos. 90588, 90589, and two 90590, for 33 K 14, 33 K 15, 33 K 26, 33 K 27, 33 K 41, and 33 K 42 Mchs.	96	6 0
90592	—	" " Retaining Sole for 90594 (Obsolete)	102	2 3

Numerical List of Parts.

No.	Plate.		Old No.	Price.
90593	—	Presser Foot Sole for 90594	(Obsolete)	101 2 3
90594	344	" " (Hinged) Double complete, for "Shire" Work, Nos. 90577, 90579, 90580, 90582, 90583, 90592, and 90593, for 33 K 14, 33 K 15, 33 K 26, and 33 K 27 Mchs. (Obsolete)	100	10 0
90595	341	Shuttle Race Slide for 90812	104	1 1
90596	341	" " " Spring Catch (Left) for 90746 and 90812	105	1 1/2
90597	341	" " " " (Right) for 90746 and 90812	106	1 1/2
90598	344	Thread Divider Rocking Frame for 33 K 14, 33 K 15, 33 K 26, and 33 K 27 Mchs. (Obsolete)	81	5 0
90599	326	" " " " Cam, with 207c, for 33 K 14, 33 K 15, 33 K 26, & 33 K 27 Mchs. (Obsolete)	83	2 0
90600	344	" " " Frame Spring for 33 K 14, 33 K 15, 33 K 26, 33 K 27, and 33 K 39 to 33 K 42 Mchs. (Obsolete)	82	2
90601	344	" " " Frame Wedge Adjustment for 33 K 14, 33 K 15, 33 K 26, & 32 K 27 Mchs. (Obsolete)	84	1 0
90602	344	" " Hinge Bar for 90607, 90752, and 90813	108	3 0
90603	344	" " " (Male) for 90607 and 90813	109	2 0
90604	344	" " " (Female) for 90607, 90752, and 90813	109A	1 0
90605	344	" " Spur for 90607 (Obsolete)	111	2 6
90606	344	" " Wire Cap for 90607, 90752, and 90813	110	3
90607	—	" " complete, Nos. 90602 to 90606, two each 316c, 1575b, and five 207d, for 33 K 26 and 33 K 27 Mchs. (Obsolete)	107	9 6
90608	351	Throat Plate (Hemstitching Fine Work), for 90576, for 33 K 26 and 33 K 27 Mchs. (Obsolete)	112	4 0
90609	351	" " (Hemstitching Coarse Work and Spoking), for 90576, for 33 K 26 and 33 K 27 Mchs. (Obsolete)	113	4 0
90610	—	Arm Side Cover for 33 K 12 to 33 K 17, 33 K 24 and 33 K 25 Mchs. (Obsolete)	2A	2 6
90611	327	Feed Cam Gear for 33 K 14 and 33 K 15 Mchs. (")	115	12 0
90612	—	Needle and Shuttle Vibrating Lever for 90613 (")	116A	9 3
90613	321	" " " " 90612, with 1816 and 90543, for 33 K 12 to 33 K 15 Mchs. (Obsolete)	116	10 0
90614	341	" " Shuttle Vibrating Lever Regulator for 33 K 12 to 33 K 17 Mchs. (Obsolete)	40A	2 6
90615	351	" " " " Spring Eyelet for 33 K 12 to 33 K 17 Mchs. (Obsolete)	117	1
90616	351	Thread Divider Spur for 90813 (Obsolete)	119	2 6
90617	351	Throat Plate for 90576, for 33 K 14 and 33 K 15 Mchs. (")	120	4 0
90618	—	Arm for 33 K 22 to 33 K 25 Mchs. (")	1A	—
90619	351	Feed Dog for 33 K 22 to 33 K 25 Mchs. (")	122	1 9
90620	346	Presser Foot Leg (Left) Adjustable, for 90622	124	2 3
90621	346	" " " (Right) for 90622	125	2 3
90622	343	" " (Spring Adjustable), complete, Nos. 175b, 90552, 90554, 90556, 90620, 90621, two 99b, and three 335b, for 33 K 22 to 33 K 25, 33 K 43, 33 K 44, 33 K 49, and 33 K 50 Mchs. (Obsolete)	123	10 0
90623	341	Top Punch Bar for 33 K 22 to 33 K 25, and 33 K 43 to 33 K 56 Mchs. (Obsolete)	133	1 0

Numerical List of Parts.

No.	Plate.		Old No.	Price.
90624	341	Top Punch Bar Hub with two 175A, for 33 K 22 to 33 K 25, and 33 K 43 to 33 K 56 Mchs.	134	1 0
90625	341	" " Connection Cam with 448c, for 33 K 22 to 33 K 25, and 33 K 43 to 33 K 56 Mchs.	18/15 K O.S.	3 0
90626	341	" " Connection Link (Adjustable) with 175A, 90627 and two 158E, for 33 K 22 to 33 K 25, and 33 K 43 to 33 K 56 Mchs.	132	4 6
90627	—	" " Connection Link Cap for 33 K 22 to 33 K 25, and 33 K 43 to 33 K 56 Mchs.	135	—
90628	341	" " Guide Block with two 237c, for 33 K 22 to 33 K 25 Mchs. (Obsolete)	136	2 6
90629	341	" " " " Cap for 33 K 22 to 33 K 25, and 33 K 43 to 33 K 56 Mchs.	137	6
90630	321	" " Rock Shaft with 90526, for 33 K 22 to 33 K 25 Mchs.	138	5 0
90631	341	" " Yoke with 193c, for 33 K 22 to 33 K 25, 33K43, 33K44, 33K49, and 33K50 Mchs.	139	3 6
90632	341	" " (Flat) nearest operator for 33 K 22 to 33 K 25 Mchs. (Obsolete)	140	7 1/2
90633	341	" " (Triangular) Centre Punch for 33 K 22 to 33 K 25 Mchs. (Obsolete)	110A	7 1/2
90634	341	" " (Triangular) Left Side of Needle for 33 K 22 to 33 K 25 Mchs. (Obsolete)	140B	7 1/2
90635	341	" " (Grooved) for 33 K 22 to 33 K 25 Mchs. (Obsolete)	140C	7 1/2
90636	351	Throat Plate (for Solid Punches) for 90619, for 33 K 22 to 33 K 25 Mchs. (Obsolete)	129	4 0
90637	348	" " (for Grooved Punches) for 90619, for 33 K 22 to 33 K 25 Mchs. (Obsolete)	130	4 0
90638	335	Feed Cam Gear for 33 K 24 and 33 K 25 Mchs. (Obsolete)	142	10 0
90639	322	Needle and Shuttle Vibrating Lever with RR39, for 33 K 24 and 33 K 25 Mchs. (Obsolete)	143	10 0
90640	335	" " " Lever Cam for 33 K 24 and 33 K 25 Mchs. (Obsolete)	144	4 0
90641	—	Arm for 33 K 12, 33 K 13, 33 K 16, and 33 K 17 Mchs. (Obsolete)	7B	—
90642	339	" Shaft Bushing (Back) with 448c, for 33 K 12, 33 K 13, 33 K 16, and 33 K 17 Mchs. (Obsolete)	3A	4
90643	339	Balance Wheel Gear Bushing for 33 K 13 and 33 K 17 Mchs. (Obsolete)	7A	6 0
90644	—	Feed Cam Gear for 33K12 and 33K13 Mchs. (")	—	12 0
90645	339	Feed Dog for 33 K 12, 33 K 13, 33 K 16, and 33 K 17 Mchs. (Obsolete)	146	1 9
90646	319	Feed Lifting Rock Shaft for 90647 (")	148	1 3
90647	—	" " " 90646, with 90525, for 33 K 12, 33 K 13, 33 K 16, & 33 K 17 Mchs. (Obsolete)	147	3 0
90648	349	Needle Hole Finger for 33 K 12, 33 K 13, 33 K 16, 33 K 17, 33 K 31, 33 K 32, 33 K 35, and 33 K 36 Mchs.	43C	4 0
90649	327	Balance Wheel Gear Bushing for 33 K 12 and 33 K 16 Mchs. (Obsolete)	75A	5 0

Numerical List of Parts.

No.	Plate.		Old No.	Price.
90650	319	Adjusting Lifting or Stationary Presser Lever for 33 K 16 and 33 K 17 Mchs. (Obsolete)	149	2 0
90651	339	" " " " Presser Lever Stud for 33 K 16 and 33 K 17 Mchs. (Obsolete)	150	9
90652	343	Cord Guide Presser Foot Leg(Left) Adj'ble for 90655(")	152	2 9
90652	343	Presser Foot Leg (Left) Adjustable for 90721	152	2 9
90653	343	Cord Guide Presser Foot Leg (Left) Cap for 90655 (Obsolete)	153	3
90653	343	Presser Foot Leg (Left) Cap for 90721	153	3
90654	343	Cord Guide Presser Foot Leg (Right) for 90655 ... (Obsolete)	154	2 3
90655	343	" " " " complete, Nos. 175D, 337D, 90552, 90556, 90652 to 90654, two 99D, and three 335D, for 33 K 16 and 33 K 17 Mchs. (Obsolete)	151	10 6
90656	—	Face Plate complete, Nos. 233D, 448c, 600, 1560D, 02108, 02124, 08238, 90509, 90568, 90570, 90661, and two 02102, for 33 K 16 and 33 K 17 Mchs. (Obsolete)	—	8 6
90658	328	Feed Cam Gear 90644, with two 1816, for 33 K 16 & 33 K 17 Mchs. (Obsolete)	145	14 0
90659	—	Needle and Shuttle Vibrating Lever for 90660.....(")	157	9 3
90660	322	" " " " " 90659 with 1816 and 90543, for 33 K 16 and 33 K 17 Mchs. (Obsolete)	156	10 0
90661	350	Thread Take-up Spring Regulator for 90510, 90656, 90670, and 90700	950/15K	2
90662	—	Alter with 450c, 2803 and 90665 to with 284d, 450c, 2803.		
90663	320	Arm Side Cover for 90662, 15404, 90663, 90665 and two 15405.		
90664	323	Arm Shaft (Hollowed and Grooved for Set Screw) for 33 K 31 to 33 K 56 Mchs.	158	3 0
90665	340	" " Bushing (Back) with 448c, for 33 K 31 to 33 K 36 Mchs.	3B	4
90666	340	Balance Wheel Gear Bushing with 453c and 456c, for 33 K 31, 33 K 33, and 33 K 35 Mchs.	75B	5 0
90667	340	" " " " with 453c and 456c, for 33 K 32, 33 K 34, and 33 K 36 Mchs.	7B	6 0
90668	—	Bed for 33 K 31 to 33 K 56 Mchs.	10A	—
90669	337	Face Plate for 90670 and 90700	33A	6 6
90670	—	" " complete, Nos. 233D, 448c, 600, 1560D, 02108, 02124, 08238, 90568, 90570, 90661, 90669, and two 02102, for 33 K 31, 33 K 32, and 33 K 37 to 33 K 56 Mchs.	—	8 6
90671	329	Feed Cam Gear for 90673.....	160	8 0
90672	340	" " " Screw Stud Washer	12A	4
90673	329	" " " 90671 with 164c, SS 44c, SS 268c, 1513c, 90672, and 90690, for 33 K 31 to 33 K 36 Mchs.	159	14 0
90674	320	" " " Cover for 33 K 31, 33 K 33, 33 K 35, 33 K 37, 33 K 39, 33 K 41, 33 K 43, 33 K 45, 33 K 47, 33 K 49, 33 K 51, 33 K 53, and 33 K 55 Mchs.	76A	3 6

Numerical List of Parts.

No.	Plate.		Old No.	Price.
90675	320	Feed Cam Gear Cover for 33 K 32, 33 K 34, 33 K 36, 33 K 38, 33 K 40, 33 K 42, 33 K 44, 33 K 46, 33 K 48, 33 K 50, 33 K 52, 33 K 54, and 33 K 56 Mchs.	13A	3 9
90676	337	Feed Connection for 90677	16B	4 2
90677	—	" " 90676 with two each 1519d and 019449, for 33 K 31 to 33 K 56 Mchs.	—	8 4
90678	354	Feed Dog (for Narrow Hem) for 33 K 31, 33 K 32, 33 K 35 to 33 K 38, and 33 K 43 to 33 K 50 Mchs.	161	1 9
90679	—	Feed Lifting Rock Shaft 02816 with 90081, for 33 K 31 to 33 K 36 Mchs.	163	3 0
90680	355	" " " " Crank with 157c, for 90681	29D	1 9
90681	—	" " " " " 90680 with 1519d & 019449, for 90679 and 90731	—	3 11
90682	323	Feed Rock Shaft for 90683	19B	1 6
90683	—	" " " 90682 with 90533, for 33 K 31 to 33 K 56 Mchs.	19A	3 9
90684	340	" " " Spring for 33 K 31 to 33 K 56 Mchs.	22A	8
90685	324	Needle Bar Connection Stud with 155c, for 33 K 31 to 33 K 56 Mchs.	166	1 0
90686	337	" " Connecting Link for 33 K 31 to 33 K 56 Mchs.	37A	1 0
90687	324	" " Guide Bracket with 456c, for 33 K 31 to 33 K 56 Mchs.	168	1 0
90688	323	Needle and Shuttle Vibrating Lever for 33 K 31 to 33 K 56 Mchs.	169	10 0
90689	355	Needle and Shuttle Vibrating Lever Cap for 33 K 31 to 33 K 56 Mchs.	170	6
90690	329	Needle Side Shift Cam for 90673	171	4 0
90691	324	" " " Adjustment Regulator Yoke for 33 K 31 to 33 K 36 Mchs.	172A	5 6
90692	324	" " " " Regulator Yoke Guide Bracket for 33 K 31 to 33 K 56 Mchs.	173	9
90693	324	" " " " Regulator Yoke Regulating Disc for 33 K 31 to 33 K 56 Mchs.	174	2 6
90694	—	Osc' Shuttle Shaft 90545 with 90696, for 33 K 31 to 33 K 56 Mchs.	44A	5 0
90695	349	" " " Crank with 207c for 90696	46A	1 6
90696	—	" " " " 90695, with 1519c and 019449, for 90694	—	3 9
90697	347	Shuttle (Solid) 1 1/8" diam., 012393 with 02518 and 015142, for 33 K 31 to 33 K 36, 33 K 39 to 33 K 48, and 33 K 51 to 33 K 56 Mchs.	235	7 0
90698	352	Throat Plate for 90544 and 90648 (Narrow Hem) for 90678, for 33 K 31, 33 K 32, and 33 K 35 to 33 K 38 Mchs.	180	4 0
90699	352	" " (Plain, Hamburg), for 90701 and 90800, for 33 K 31, 33 K 32, and 33 K 35 to 33 K 38 Mchs.	181	4 0

Numerical List of Parts.

No.	Plate.	Description	Old No.	Price.
90700	—	Face Plate complete, Nos. 233D, 448c, 600, 1560D, 02108, 02124, 08238, 90570, 90661, 90669, two each 02102 and 90568, for 33 K 33 to 33 K 36 Mchs.	—	8 6
90701	353	Feed Dog (Plain, for Coarse Work), for 33 K 31 to 33 K 38, and 33 K 43 to 33 K 56 Mchs.	162	1 9
90702	342	Needle Bar Jointed Punch Yoke Frame for 90708	183	5 0
90703	342	" " " " " " Bracket (Hinged) for 90708	185	2 6
90704	342	" " " " " " Hinge Pin Spring for 90708	186	4
90705	342	" " " " " " Releasing Lever for 90708	187	1 0
90706	342	" " " " " " Thread Guide for 90708	184	3
90707	342	" " " " " " Punch for 90708	188	2 1/2
90708	340	" " " " " " complete, Nos. 331c, SS 133c, 07958, 90580, 90702 to 90706, two each 662c and 90707, for 33 K 33 and 33 K 34 Mchs.	182	10 0
90709	346	Presser Foot Leg (Left) Adjustable for 90711	190	2 9
90710	346	" " " (Right) for 90711	191	2 3
90711	345	" " complete (Spring Adjustable), with Tuck Guide, Nos. 175D, 337D, 90552, 90554, 90556, 90709, 90710, 90714, 90719, two 99D, and three 335D, for 33 K 33 and 33 K 34 Mchs.	189	13 6
90712	345	Presser Foot Tuck Guide Wire for 90714	193	1 0
90713	—	" " " " " Bracket for 90714	191	2 6
90714	346	" " " " " complete, Nos. 335D, 90712, and 90713, for 90711	192	3 6
90715	353	Throat Plate (10 Stitches per inch) for 90701 and 90800, for 33 K 33 and 33 K 34 Mchs.	195	5 6
90716	323	Adjusting Lifting or Stationary Presser Lever for 33 K 35 and 33 K 36 Mchs.	196	2 6
90717	337	" " " " " Stud for 33 K 35 and 33 K 36 Mchs.	197	9
90718	342	Needle Side Shift Cam with two 1816, for 33 K 35 and 33 K 36 Mchs.	198	6 0
90719	346	Presser Foot Cord Guide for 90711, 90721, and 90784	176	6
90720	346	" " Leg (Right) for 90721	200	2 3
90721	345	" " (Spring, Adjustable), complete, with Adj. Cord Guide, for Curves, Nos. 99D, 175D, 90552, 90556, 90652, 90653, 90719, 90720, three each 335D and 337D, for 33 K 35 and 33 K 36 Mchs.	199	10 6
90722	—	Alter. with 400c, 2803 and 90723 to with 284d, 450c, 2803, Arm for 33 K 37 to 33 K 42 Mchs. — 15404, 90663, 90723 and two 15405.	—	—
90723	340	Arm Shaft Bushing (Back) with 448c, for 33 K 31 to 33 K 56 Mchs.	30	4

Numerical List of Parts.

No.	Plate.	Description	Old No.	Price.
90724	340	Balance Wheel Gear Bushing with 453c and 456c, for 33 K 37, 33 K 39, 33 K 41, 33 K 43, 33 K 45, 33 K 47, 33 K 49, 33 K 51, 33 K 53, and 33 K 55 Mchs.	75c	5 0
90725	340	Balance Wheel Gear Bushing with 453c and 456c, for 33 K 38, 33 K 40, 33 K 42, 33 K 44, 33 K 46, 33 K 48, 33 K 50, 33 K 52, 33 K 54, and 33 K 56 Mchs.	7c	6 0
90726	334	Feed Cam Gear for 90727	202	8 0
90727	334	" " " 90726 with 164c, SS 44c, SS 268c, 1513c, 90672, and 90732, for 33 K 37, 33 K 38, 33 K 49, and 33 K 50 Mchs.	201	14 0
90728	349	Feed Regulator Bar for 33 K 37 and 33 K 38 Mchs.	17A	3 0
90729	325	Feed Lifting Bell Crank Lever with 1872, for 33 K 37 to 33 K 56 Mchs.	30A	3 3
90730	320	" " Rock Shaft for 90731	29c	1 3
90731	—	" " " " 90730, with 90681, for 33 K 37 to 33 K 56 Mchs.	28A	3 0
90732	333	Needle Side Shift Cam for 90727 and 90766	203	4 0
90733	324	" " " Adjustment Regulator Yoke for 33 K 37 to 33 K 56 Mchs.	204A	5 6
90734	349	Shuttle (Solid), 1 1/8" diam., 022169 with 02518 and 015142 for 33 K 37, 33 K 38, 33 K 49, and 33 K 50 Mchs.	253	6 3
90735	354	Throat Plate for Narrow Hem (Plain) for 90678, for 33 K 37 and 33 K 38 Mchs.	205	4 0
90736	331	Feed Cam Gear for 90737 and 90756	207	8 0
90737	331	" " " 90736 with 164c, SS 44c, SS 268c, 1513c, 90672, and 90739, for 33 K 39 and 33 K 40 Mchs.	206	14 0
90738	353	Feed Dog (for Wide Shires) for 33 K 39 to 33 K 42 Mchs.	208	1 9
90739	331	Needle Side Shift Cam for 90737	209	4 0
90740	346	Presser Foot Retaining Sole for 90743	212	2 3
90741	346	" " Sole for 90743 and 90759	211	2 3
90742	352	" " " Position Spring for 90743 and 90759	231	1
90743	345	" " (Hinged) Double complete, for Wide Shires, Nos. 335D, 90577, 90579, 90580, 90582, 90583, and 90740 to 90742, for 33K39 and 33K40 Mchs.	210	10 0
90744	337	Shuttle Race Cap for 90811	128A	8
90745	355	" " Slide for 90746	101A	1 1
90746	—	" " " 90745 with 90596, 90597, and two 240, for 33 K 39 to 33 K 42 Mchs.	103A	1 3
90747	355	Thread Divider Rocking Frame for 33 K 39 to 33 K 42 Mchs.	81A	5 0
90748	355	" " " " Cam, with 193c, for 33 K 39 to 33 K 42 Mchs.	86, 102, 83A	90816 2 0
90749	355	" " " " Fork for 33K39 to 33K42 Mchs.	213	1 6
90750	355	" " Hinge (Male) for 90752 and 90761	109B	2 0
90751	355	" " Spur for 90752	119A	2 6
90752	—	" " complete, Nos. 90602, 90604, 90606, 90750, 90751, two each 316c, 1675D, and six 207D, for 33 K 39 and 33 K 40 Mchs.	107A	9 6

Numerical List of Parts.

No.	Plate.		Old No.	Price.
90753	—	Throat Plate for 90755 and 90763	215	4 6
90754	352	" " Rib (Adjustable) for 90755	216	1 0
90755	349	" " 90753 with 90754 and two 233D, for 90738, for 33 K 39 and 33 K 40 Mchs.	214	5 6
90756	332	Feed Cam Gear 90736 with 164c, SS44c, SS268c, 1513c, 90672, and 90757, for 33 K 41 and 33 K 42 Mchs.	217	14 0
90757	332	Needle Side Shift Cam for 90756	218	4 0
90758	346	Presser Foot Retaining Sole for 90759	219	2 3
90759	345	" " (Hinged) Double complete, for First Seam, Nos. 335D, 90577, 90579, 90580, 90582, 90583, 90741, 90742, and 90758, for 33 K 41 and 33 K 42 Mchs.	248	10 0
90760	355	Thread Divider Spur for 90761	111B	2 6
90761	—	Thread Divider complete, Nos. 90602, 90604, 90606, 90750, 90760, two each 316c, 1575D, and six 207D, for 33 K 41 and 33 K 42 Mchs.	—	9 6
90762	35	Alter Plate Rib (Adjustable) for 90763	216A	1 0
90763	35	Alter with 450c, 2803 and 90723 to with 284d, 450c, 2803, 15404, 90663, 90723, 90768, two each 180d and 15405	220	8 0
90764	—	Arm for 33 K 43 to 33 K 56 Mchs.	221	5 6
90765	333	Feed Cam Gear for 90766	222	1 6
90766	333	" " (Close) 90765, with 164c, SS44c, SS268c, 1513c, 90672, and 90732, for 33 K 43 to 33 K 48 Mchs.	219	14 0
90767	353	Throat Plate (10 spokes per inch), for 90701 and 90800, for 33 K 43 and 33 K 44 Mchs.	221	5 6
90768	324	Top Punch Bar Cap for 33 K 43 to 33 K 56 Mchs.	222	1 6
90769	337	" " Guide Block with two 450c, for 33 K 43 to 33 K 56 Mchs.	136A	2 6
90770	320	" " Rock Shaft for 90771	135B	4 0
90771	—	" " " " 90770 with 1519c and 019449, for 33 K 43 to 33 K 56 Mchs.	138A	6 1
90772	345	" " (Solid, Triangular) for 33 K 43 & 33 K 44 Mchs.	223	7 1/2
90772	345	" " (Triangular) nearest operator, for 33 K 45, 33 K 46, 33 K 51, and 33 K 52 Mchs.	223	7 1/2
90773	342	Jointed Punch Yoke Bracket for 90781	226	2 0
90774	342	" " " " Hinge Pin	227	2
90775	342	" " " " Releasing Lever for 90781	230	1 0
90776	342	" " " " " " Hinge Pin	231	1
90777	342	" " " " " " Spring for 90781	232	2
90778	342	" " " " " " Spring for 90781	228	2
90779	342	" " " " " " Hook for 90781	229	1
90780	342	" " " " Frame with 193c, for 90781	225	6 0
90781	340	" " " " complete, Nos. 2334, SS184c, 90773 to 90780, and three 237c, for 33 K 45 to 33 K 48, and 33 K 51 to 33 K 56 Mchs.	224	10 0
90782	346	Presser Foot Leg (Left) Adjustable for 90784	177	2 3
90783	346	" " " (Right) for 90784	178	2 3

Numerical List of Parts.

No.	Plate.		Old No.	Price.
90784	345	Presser Foot Leg (Spring, Adjustable), with Adj. Cord Guide for Straight Rows of Stitching, Nos. 175D, 337D, 90552, 90554, 90556, 90719, 90782, 90783, two 99D, and three 335D, for 33 K 45 to 33 K 48 and 33 K 51 to 33 K 56 Mchs.	175	10 6
90785	354	Throat Plate (for Grooved Punch) (10 spokes per inch) for 90701 and 90800, for 33 K 45, 33 K 46, 33 K 51, and 33 K 52 Mchs.	233	5 6
90786	—			
90787	345	Top Punch (Grooved) for 33 K 45, 33 K 46, 33 K 51, and 33 K 52 Mchs.	223A	7 1/2
90788	354	Throat Plate (for Grooved Punch) (14 spokes per inch), for 90701 and 90800, for 33 K 47, 33 K 48, 33 K 55, and 33 K 56 Mchs.	236	5 6
90789	345	Top Punch (Solid, Triangular) nearest operator for 33 K 47 to 33 K 50 Mchs.	223B	7 1/2
90789	315	" " (Triangular) nearest operator for 33 K 55 and 33 K 56 Mchs.	223B	7 1/2
90790	345	" " (Grooved) for 33 K 47 to 33 K 50, 33 K 55 and 33 K 56 Mchs.	223C	7 1/2
90791	352	Throat Plate (19 spokes per inch) for 90678, for 33 K 49 and 33 K 50 Mchs.	165	5 6
90792	353	" " (14 spokes per inch) for 90678, for 33 K 49 and 33 K 50 Mchs.	239	5 6
90793	354	" " (Grooved Punch) (14 spokes per inch) for 90678 for 33 K 49 and 33 K 50 Mchs.	240	5 6
90794	345	Top Punch (Oval) nearest operator for 14 spokes, for 33 K 49 and 33 K 50 Mchs.	223D	7 1/2
90795	345	" " (") for 14 spokes, for 33 K 49 and 33 K 50 Mchs.	223E	7 1/2
90796	345	" " (") for 19 spokes, for 33 K 49 and 33 K 50 Mchs.	223F	7 1/2
90797	345	" " (") for 19 spokes, for 33 K 49 and 33 K 50 Mchs.	223G	7 1/2
90798	330	Feed Cam Gear for 90799	244	8 0
90799	330	" " " 90798 with 164c, SS44c, SS268c, 1513c, 90672, and 90801, for 33 K 51 to 33 K 56 Mchs.	243	14 0
90800	354	Feed Dog (for Gauze Work) for 33 K 51 to 33 K 56 Mchs	246	2 0
90801	330	Needle Side Shift Cam for 90799	247	4 0
90802	—			
90803	353	Throat Plate (12 spokes per inch) for 33K53 & 33K54 Mchs.	252	5 6
90804	345	Top Punch (Triangular) nearest operator for 33 K 53 and 33 K 54 Mchs.	223H	7 1/2
90805	345	" " (Grooved) for 33 K 53 and 33 K 54 Mchs.	223I	7 1/2
90806	322	Bobbin Winder Frame for 90808	295 1/2 B.W.	9
90807	322	" " Spindle for 90808	97B	6

Numerical List of Parts.

No.	Plate.	Description	Old No.	Price.
90808	322	Bobbin Winder complete, Nos. 286D , 02460, 02466, 08371, 90806, and 90807, for 33 K 13, 33 K 15, 33 K 17, 33 K 23, 33 K 25, 33 K 27, 33 K 29, 33 K 32, 33 K 34, 33 K 36, 33 K 38, 33 K 40, 33 K 42, 33 K 44, 33 K 46, 33 K 48, 33 K 50, 33 K 52, 33 K 54, and 33 K 56 Mchs.	295 B.W.	2 6
90809	—	Knee Lifter Presser Bar Bracket with 453c, for 90810	141A P.T.F.	9
90810	—	" " complete, Nos. 694D, 80202, 80262, 87317, 90809, two 80200 , and four Wood Screws, 1", No. 10	255 ..	7 0
90811	347	Shuttle Race complete, Nos. 648D, 02533, 90563, 90744, 90814, two each 662 and 02532, for 33 K 39 to 33 K 42 Mchs.	126A	7 6
90812	—	" " Slide 90595 with 90596, 90597, and two 240, for 33 K 14, 33 K 15, 33 K 26, and 33 K 27 Mchs. (Obsolete)	103	1 3
90813	—	Thread Divider complete, Nos. 90602 to 90604, 90606, 90616, two each 316c, 1575D, and five 207D, for 33 K 41 and 33 K 42 Mchs.	—	9 6
90814	—	Shuttle Race Body for 90811 <i>90811</i>	—	4 6
90815	<i>342</i>	Feed Bar for 33 K 39 to 33 K 42 Mchs.	—	2 6

90816 — *Thread Divider hooking for use with 193° for 33 K 39 to 33 K 42 Mchs. — 2.00.*

90817 — *Knee Lifter Arm Lever for 90810 — .10*

120378 — Screw Driver (Shuttle Tension) (Accessories) *5/8*

*125060 — Feed Connection Slide Block Stud for 90519

40545c — Needle Clamp Thumb Screw for 90538 ...

1/8 97502 — Knee Lifter Rock Shaft Bracket for 90810 ...