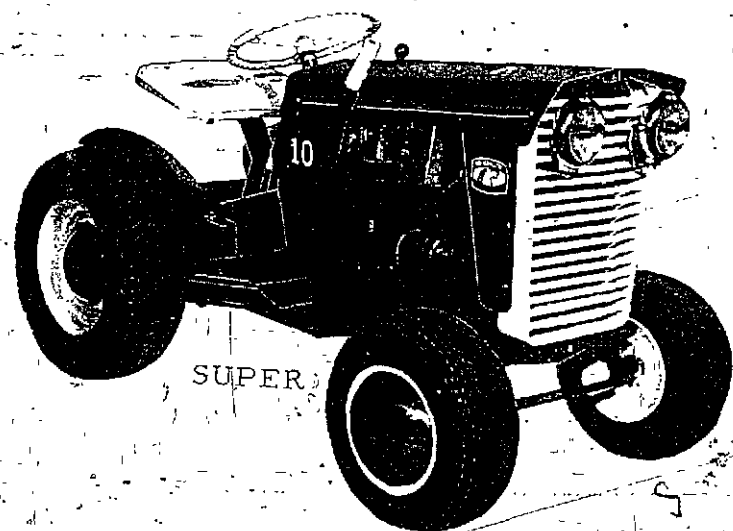
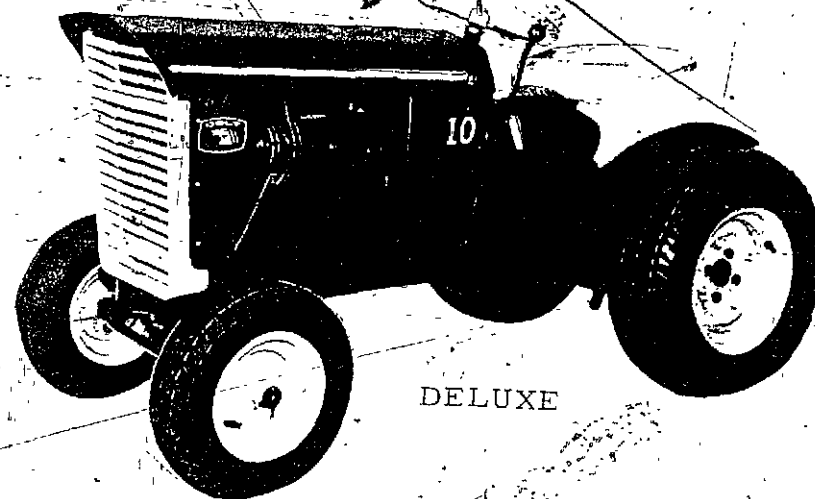


COLT

COMPACT TRACTORS

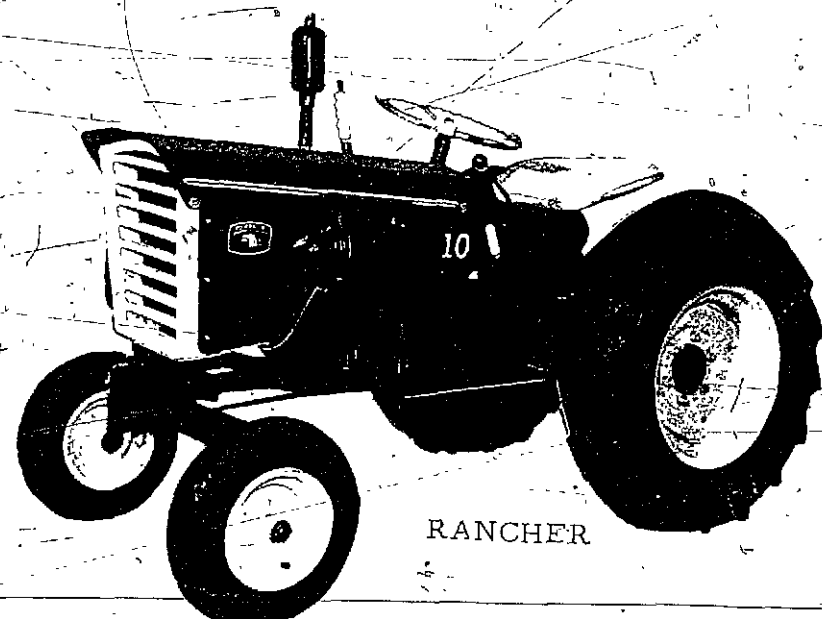


SUPER



DELUXE

PARTS LIST AND INSTRUCTIONS
FOR COLT DELUXE, SUPER AND RANCHER TRACTORS



RANCHER

ALPHABETICAL INDEX

	PAGE	GRID
Main Frame Assembly	3	A3
Parts Lists for Figure 1	4-5	A4-A6
Main Frame Component Assembly	6	A7
Parts Lists for Figure 2	7	A8
Parts Lists for Figure 2	8	A10
Hydraulic Drive Assembly	9	A11
Parts Lists for Figure 3	10	A12
Colt A Matic Drive Assembly	11	A13
Parts Lists for Figure 4	12	B2
Engine Assembly	13	B3
Parts Lists for Figure 5	14	B4
Electrical Wiring Diagram	15	B5
Parts Lists for Figure 6	16	B6

NOTE: See grid C1 for Colt Model 2110, 2310, 2510, 2712.



COLT

FIGURE 1, FRAME GROUP

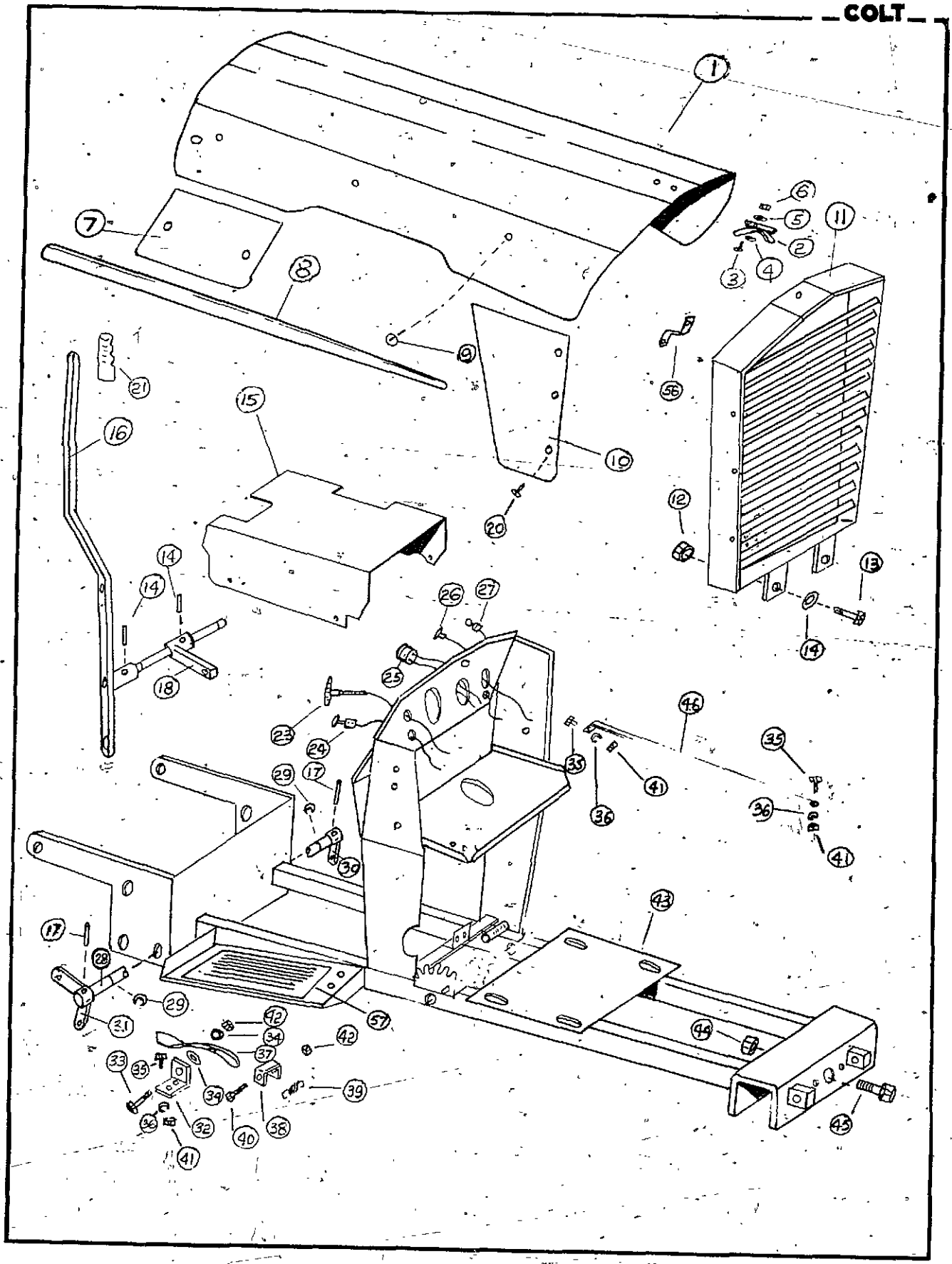


FIGURE 1, MAIN-FRAME ASSEMBLY

ITEM	PART NO.	DESCRIPTION	QTY
1	* C1101	Hood and Latch Assembly	1
2	* C1104	Hood Latch Assembly	1
3	H15-1	#10-24 X 1/2" lg Round Head Machine Screw	1
4	H26-10	#10 Plain Washer	2
5	H27-10	#10 Lockwasher	2
6	H25-8	#10-24 Hex Nut	2
7	C1179	Rear Side Panel	2
8	C1105	Chrome Trim	2
9	C1106	Chrome Trim Fastener	6
10	C1180	Front Side Panel	2
11	C1156	Grill Assembly	1
12	H19-1	3/8" - 16 Lock Nut	2
13	H13-5	3/8" - 16 X 1" Lg Hex Head Cap Screw	2
14	H26-3	3/8" Plain Washer	2
15	* C1102	Control Valve Cover	1
16	* C1080	Implement Lift Lever	1
17	C1109	Roll Pin, 1/4" X 1-1/4" lg	4
18	* C1161	Attachment Link Arm, Center	1
19	H31-2	1/4" - 20 X 1/2" lg Hex Head Self Taping Screw	4
20	H31-3	#10 Sheet Metal Screw	10
21	C1107	Implement Lever Grip	1
22	* C1158	Attachment Link Rod, Center, Deluxe & Super	1
23	C1177	Attachment Link Rod, Center, Rancher	1
24	C1081	Throttle Control Assembly	1
25	C1130	Light Switch	1
26	C1129	Ammeter	1
27	C1082	Choke Control Assembly	1
28	C1128	Key Start Switch	1
29	* C1157	Attachment Link Rod, Rear	1
30	C1026	Retainer Ring	2
31	* C1160	Attachment Link Arm, Rear, L.H.	1
32	* C1159	Attachment Link Arm, Rear, R.H.	1
33	* C1162	Clutch Mounting Bracket	1
34	H13-8	1/4" - 20 X 1" Hex Head Cap Screw	1
35	H26-1	1/4" Plain Washer	2
36	H13-1	1/4" - 20 X 3/4" lg Hex Head Cap Screw	4
37	H27-1	1/4" Lockwasher	4
38	C1103	Implement Lever Clutch	1
39	C1163	Clutch Trip Ratchet	1
40	C1108	Clutch Trip Spring	1
41	H13-9	1/4" - 20 X 2" lg Hex Head Cap Screw	1
42	H24-1	1/4" - 20 Hex Nut	4
43	H19-3	1/4" - 20 Lock Nut	2
44	* C1155	Main Frame Assembly - Deluxe & Super	1
45	C1181	Main Frame Assembly - Rancher	1
46	C1111	Axle Bolt Lock Nut	1
47	C1110	Front Axle Mounting Bolt	1
48	C1164	Grill Stabilizer Bar	1
49	** C1137	Transmission Oil Decal	1
50	** C1136	Model 10 Decal	2
51	** C1133	Colt Deluxe Decal	2
	** C1134	Colt Super Decal	2
	** C1135	Colt Rancher Decal	2

COLT

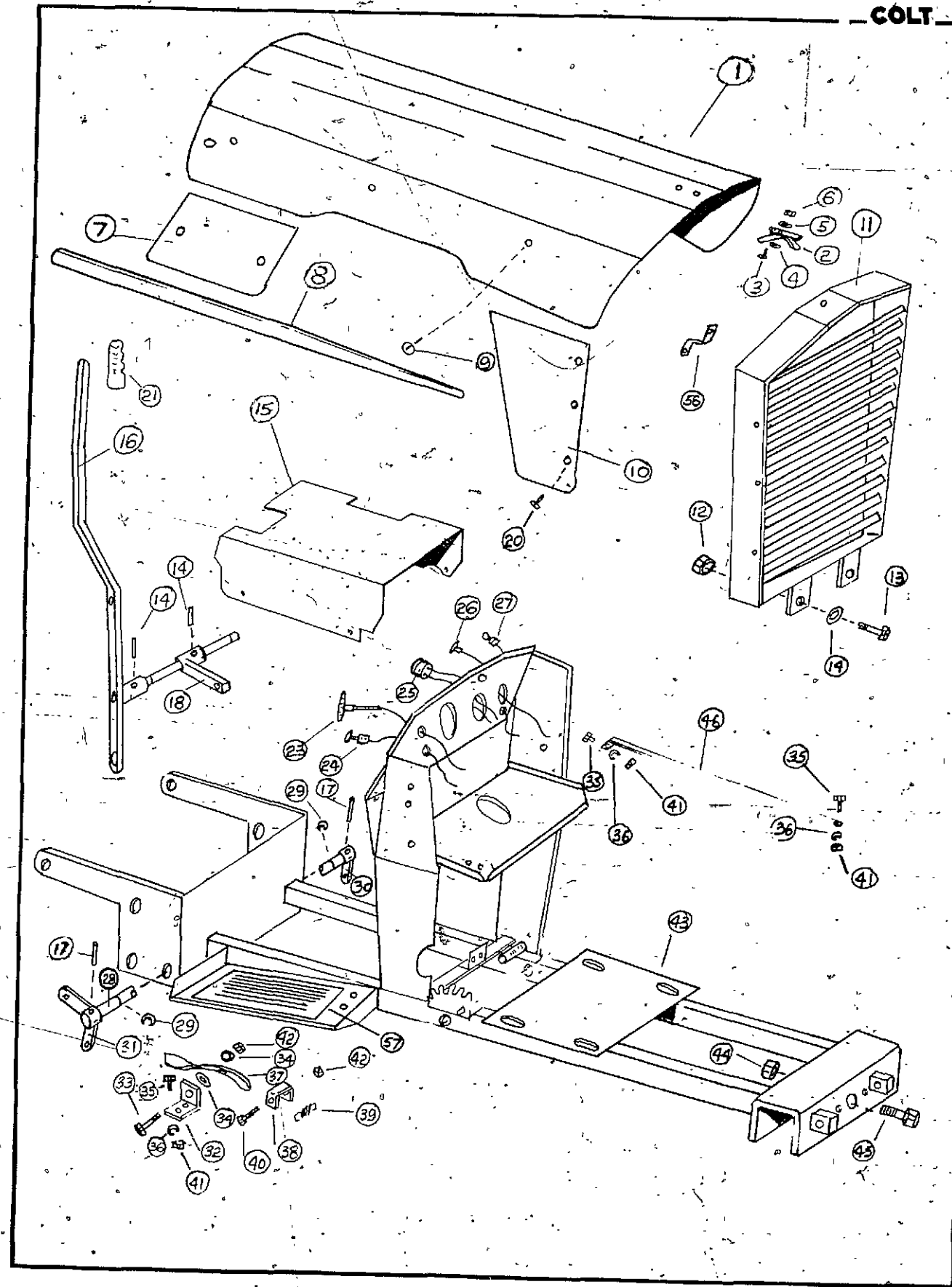


FIGURE 1. MAIN FRAME ASSEMBLY

FIGURE 1, FRAME GROUP (CONT'D)

ITEM	PART NO.	DESCRIPTION	QTY
52	** C1184	High - Neutral - Low Shift Decal	1
53	** C1185	Colt-A-Matic Drive Decal	
54	** C1186	Forward - Brake - Reverse Decal	
55	** C1187	Brake Instruction Decal	
56	C1167	Headlight Mounting Bracket	
57	C1193	Rubber Pad	2

NOTE: Unless otherwise indicated in the "Description" column, parts are interchangeable between the Deluxe, Super and Rancher tractors.

* When ordering parts indicated by a single asterisk (*) specify color "red" or "black". If color is not specified, part will be shipped "black".

** Not illustrated

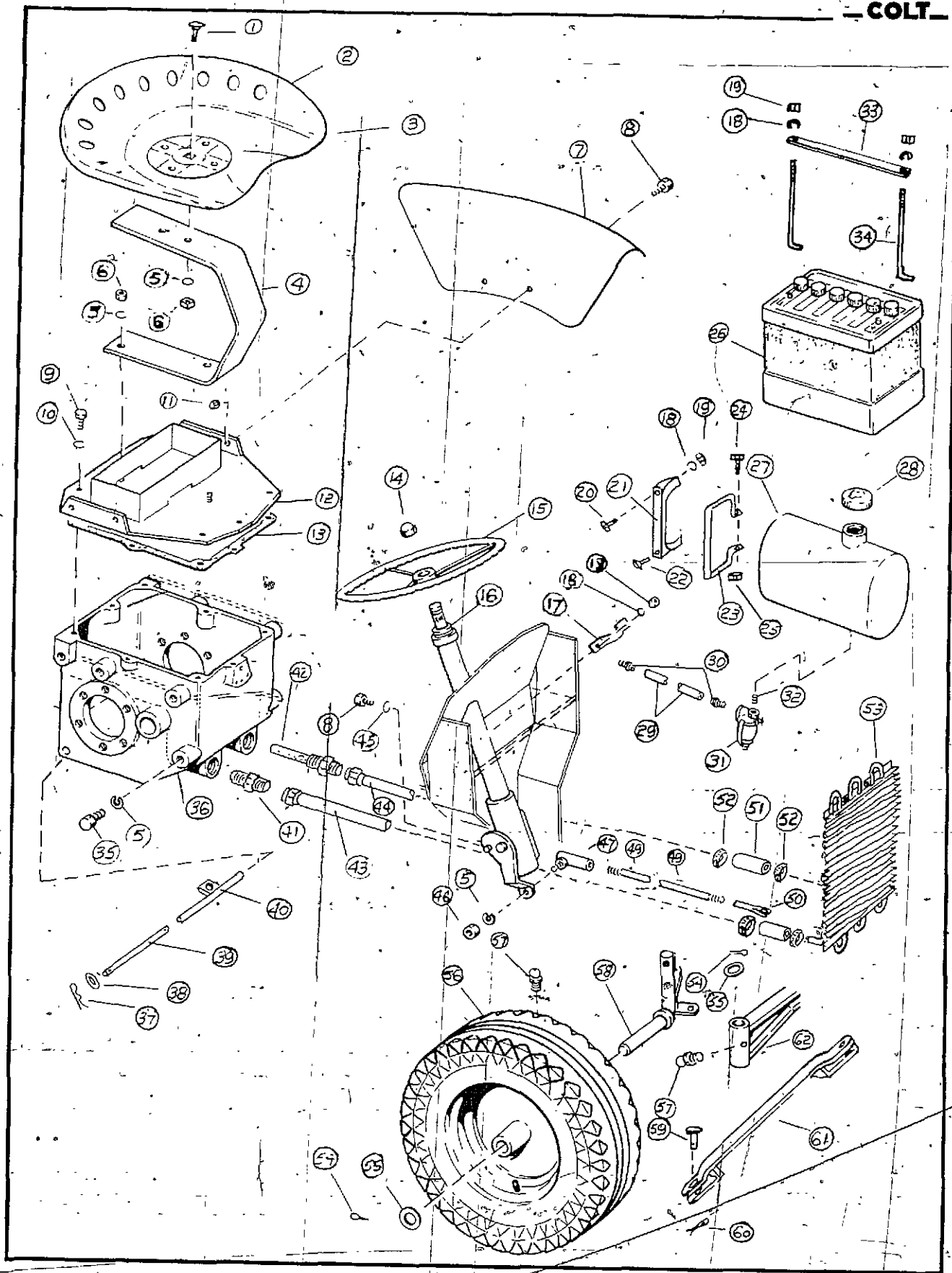


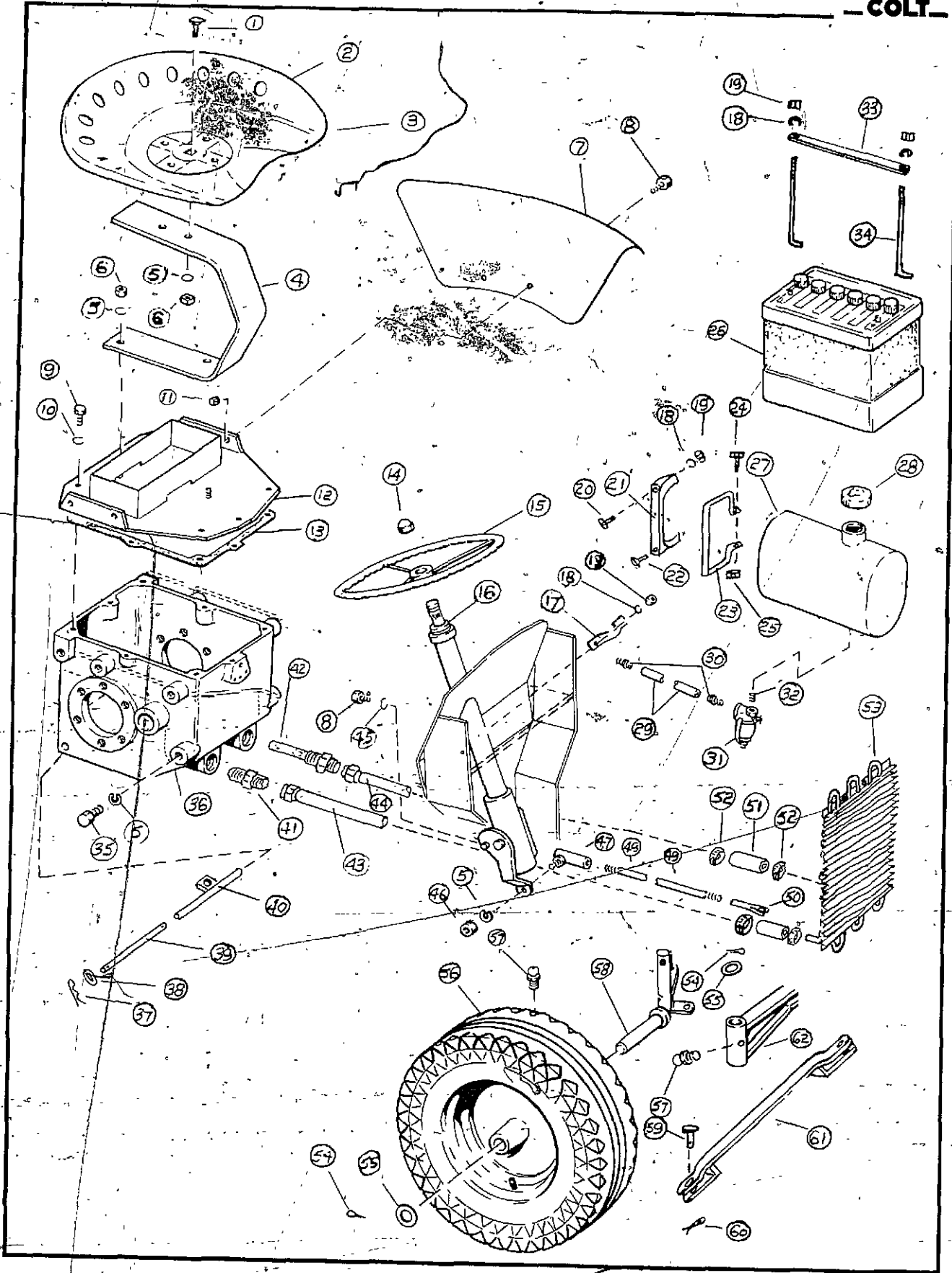
FIGURE 2, MAIN FRAME COMPONENTS

FIGURE 2, MAIN FRAME COMPONENTS

ITEM	PART NO.	DESCRIPTION	QTY
1	H10-1	1/2" - 13 X 1" lg Carriage Bolt	1
2	C1087	Seat	1
3	C1088	Seat Cushion	1
4	* C1170	Seat Spring	1
5	H27-5	1/2" Lockwasher	10
6	H25-5	1/2" - 13 Hex Nut	3
7	* C1089	Fender, L.H., Deluxe & Super	1
	* C1090	Fender, R.H., Deluxe & Super	1
	C1091	Fender, L.H., Rancher	1
	C1092	Fender, R.H., Rancher	1
8	H13-5	3/8" - 16 X 1" lg Hex Head Cap Screw	6
9	H13-10	5/16" - 18 X 3/4" lg. Hex Head Cap Screw	8
10	H27-2	5/16" Lockwasher	4
11	H24-3	3/8" - 16 Hex Nut	1
12	* C1084	Gear Case Cover	1
13	C1020	Gear Case Cover Gasket	1
14	H21-1	5/8" - 18 Hex Jam Nut	1
15	C1099	Steering Wheel	1
16	* C1079	Steering Column Assembly	1
	C1196	Lever & Bolt Assembly (1/2" Bolt)	1
	C1197	Lever & Bolt Assembly (5/8" Bolt)	1
	C1198	Rubber Seal	1
	C1199	Seal Retainer	1
	C1200	Ball Cup	2
	C1201	Ball & Retainer	2
	H21-1	5/8" - 18 Hex Jam Nut	3
	C1202	Washer	1
	H21-2	1/2" - 20 Hex Jam Nut	1
	C1203	Stud	1
	C1204	Adjustable End Plug	1
	C1205	Cam (Gear) & Shaft	1
	C1206	Tube & Cam Housing Assembly, 1/2"	1
	C1207	Tube & Cam Housing Assembly, 5/8"	1
17	C1100	Steering Column Strap	1
18	H27-1	1/4" Lockwasher	10
19	H24-1	1/4" - 20 Hex Nut	8
20	H13-1	1/4" - 20 X 3/4" lg Hex Head Cap Screw	2
21	* C1044	Gasoline Tank Mounting Clamp	2
22	H15-2	1/4" - 20 X 1/2" lg Flat Head Machine Screw	2
23	* C1165	Gasoline Tank Mounting Strap	2
24	H15-3	1/4" - 20 X 1-1/2" lg Flat Head Machine Screw	2
25	H22-1	1/4" - 20 Square Nut	2
26	C1098	Battery	1
27	C1045	Gasoline Tank	1
28	C1046	Gasoline Tank Cap	1
29	C1041	Fuel Line Hose	1
30	C1040	Fuel Line Fitting	1
31	C1042	Fuel Filter Assembly	1
32	C1043	Special Nipple	1
33	* C1168	Battery Clamp Bracket	1
34	* C1169	Battery Clamp Rod	1
35	H13-11	1/2" - 13 X 1" lg Hex Head Cap Screw	6
36	* C1083	Gear Case	1
37	C1334	Pin Retainer	2

FIGURE 2, MAIN FRAME COMPONENTS, (CONT'D)

-COLT-



ITEM	PART NO.	DESCRIPTION	QTY
38	H26-5	1/2" Plain Washer	2
39	C1016	Tow Hitch Pin	1
40	* C1093	Standard Tow Hitch	1
41	C1053	Transmission Return Port Fitting	1
42	C1054	Transmission Outlet Fitting w/ Filter	1
43	C1057	Tubing (Heat Exchanger to Transmission)	1
44	* C1058	Tubing (Transmission to Pump)	1
45	H27-3	3/8" Lockwasher	2
46	H25-9	1/2" - 20 Hex Nut	1
47	C1035	1/2" Ball Joint	1
48	* C1056	Tubing (Valve to Heat Exchanger)	1
49	* C1036	Drag Link Rod	1
50	* C1039	Steering Clevis	1
51	C1113	Heat Exchanger Connecting Hose	1
52	C1027	Hose Clamp	2
53	C1064	Heat Exchanger	4
54	H33-3	5/32" X 2" lg Cotter Pin	4
55	H26-7	3/4" Plain Washer	6
56	C1138	Front Wheel Assembly, 4 X 8, Deluxe & Super	2
	C1143	Front Tire, 4 X 8, Deluxe & Rancher	2
	C1145	Front Wheel Rim, 4 X 8, Deluxe & Rancher	2
	C1144	Front Tire Tube, 4 X 8, Deluxe & Rancher	2
	C1139	Front Wheel Assembly, 6.50 X 8, Super	2
	C1146	Front Tire, 6.50 X 8, Tubeless, Super	2
	C1147	Front Wheel Rim, 6.50 X 8, Super	2
57	H37-1	1/8" Lubrication Fitting	4
58	* C1094	Front Spindle Assembly, R.H., Deluxe & Super	1
	* C1095	Front Spindle Assembly, L.H., Deluxe & Super	1
	C1096	Front Spindle Assembly, R.H., Rancher	1
	C1097	Front Spindle Assembly, L.H., Rancher	1
59	C1015	Drag Link Rod Pin	3
60	H33-4	1/8" X 1-1/4" lg Cotter Pin	3
61	* C1037	Tie Bar, Deluxe & Super	1
	C1038	Tie Rod, Rancher	1
62	* C1085	Front Axle, Deluxe & Super	1
	C1086	Front Axle, Rancher	1

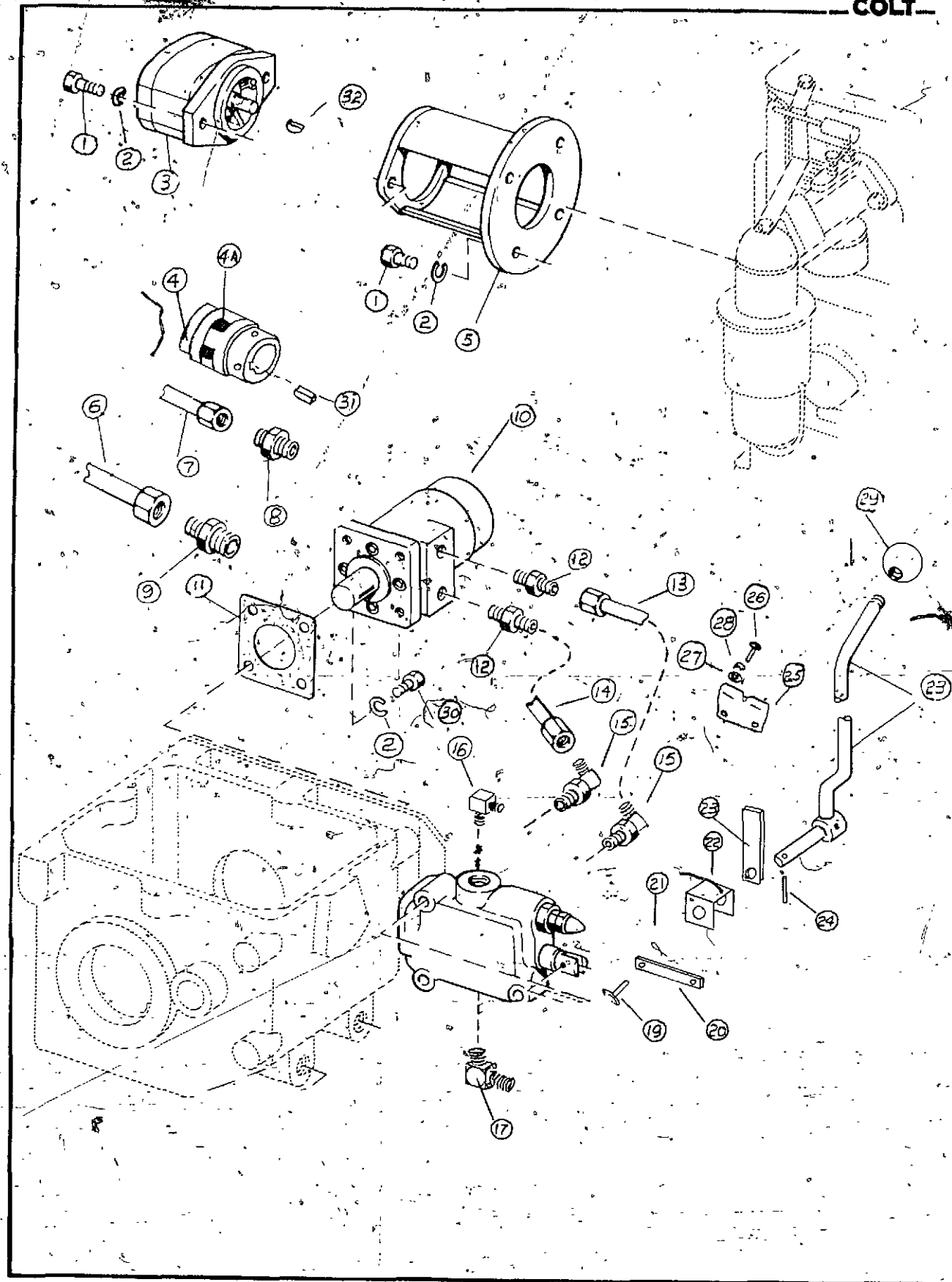
NOTE: Unless otherwise indicated in the "Description" column, parts are interchangeable between the Deluxe, Super & Rancher Models.

* When ordering parts indicated by a single asterisk (*) specify color "Red" or "Black". If color is not specified, part will be shipped "Black".

FIGURE 2. MAIN FRAME COMPONENTS

COLT

FIGURE 3, HYDRAULIC COMPONENTS



ITEM	PART NO.	DESCRIPTION	QTY
1	H13-5	3/8" - 16 X 1" lg Hex. Head Cap Screw	6
2	H27-3	3/8" Lockwasher	10
3	C1075	Hydraulic Pump	1
	C1210	Seal Kit for Hydraulic Pump #C1075	1
4	C1073	Pump Drive Coupling Assembly	1
	C1074	Rubber Insert for Pump Coupling	1
5	C1171	Pump Mounting Bracket	1
6	* C1058	Tubing (Transmission to Pump)	1
7	* C1059	Tubing (Pump to Valve)	1
8	C1048	Pump Pressure Port Fitting	1
9	C1047	Pump Suction Port Fitting	1
10	* C1077	Hydraulic Motor, Deluxe & Super	1
	C1078	Hydraulic Motor, Rancher	1
	C1209	Seal Kit for Hydraulic Motors #C1077 & C1078	1
11	C1019	Hydraulic Motor Gasket	1
12	C1052	Hydraulic Motor Port Fitting	2
13	* C1060	Tubing (Front Valve Port to Upper Hyd. Motor Port)	1
14	* C1061	Tubing (Rear Valve Port to Lower Hyd. Motor Port)	1
15	C1051	Valve Pressure Port Fitting	2
16	C1050	Valve Inlet Port Fitting	1
17	C1049	Valve Return Port Fitting	1
18	* C1076	Control Valve Assembly	1
	C1211	Seal Kit for Control Valve #C1076	1
19	C1014	Valve Link Pin	2
20	* C1173	Valve Spool Link	2
21	H33-5	1/16" X 3/4" lg Cotter Pin	2
22	C1188	Valve Link Clip	1
23	* C1071	Control Lever w/ Link Bracket & Roll Pin	1
24	C1017	Roll Pin, 3/16" X 1-1/4" lg	1
25	* C1172	Control Lever Pressure Plate	1
26	H13-1	1/4" - 20 X 3/4" lg Hex Head Cap Screw	2
27	H26-1	1/4" Plain Washer	2
28	H27-1	1/4" Lockwasher	2
29	C1072	Control Lever Knob	1
30	C1114	Special Self Sealing Cap Screw	4
31	C1112	Square Key	1
32	H34-1	Woodruff Key, Pump Shaft	1

NOTE: Unless otherwise indicated in the "Description" column, parts are interchangeable between the Deluxe, Super & Rancher Models.

* When ordering parts indicated by a single asterisk (*) specify color "Red" or "Black". If color is not specified, part will be shipped "Black".

FIGURE 3 - HYDRAULIC DRIVE ASSEMBLY

COLT

COLT MFG. CO., INC.

WINNECONNE, WISCONSIN
U. S. A.

June 28, 1965

Supplement to: Parts List and Instructions for Colt Deluxe, Super and Rancher Tractors.

Reference: Figure 4 Colt-A-Matic Drive Assembly and Parts List, pages 11 and 12.

Effective with the 1965 Super Model serial no. SP1676 and the 1965 Deluxe Tractor serial no. DE1552, the transmission gears were changed to reduce the maximum "high range" speed from 9 m.p.h. to 7 m.p.h. The parts affected by this change are listed below with the part numbers applicable to new components. Refer to the item numbers on figure 4 of the tractor Parts List for identification.

ITEM	PART NO.	DESCRIPTION	QTY.
1	A70156	Cluster Gear Assembly (6-Spline)	1
6	A70158	Drive Shaft Coupling (6-Spline)	1
10	A70154	Drive Shaft (6-Spline)	1
13	A70148	Differential Housing	1
14	A70149	Differential Pinion Gear (5/8" I.D.)	4
14a	A70131	Pinion Gear Spacer (5/8" I.D.)	4
15	A70150	Differential Gear (6-Spline I.D.)	2
16	A70151	Differential Pin (5/8" Diameter)	4
20	A70145	Rear Axle, R. H. (6-Spline)	1
21	A70146	Rear Axle, L. H. (6-Spline)	1
22	A70144	Wheel Hub 1/4" keyway	2

Note: a) Rancher & Super H: All 1965 Rancher and Super H Tractors have the reduced "high range" speed transmission components and are covered by the above part numbers.

b) Visual Check: For purposes of visual identification the new parts listed above have added description in parenthesis. By comparison, the prior model gears, shafts, and drive coupling listed under the "C" series numbers in the tractor parts list are of "10-Spline" design.

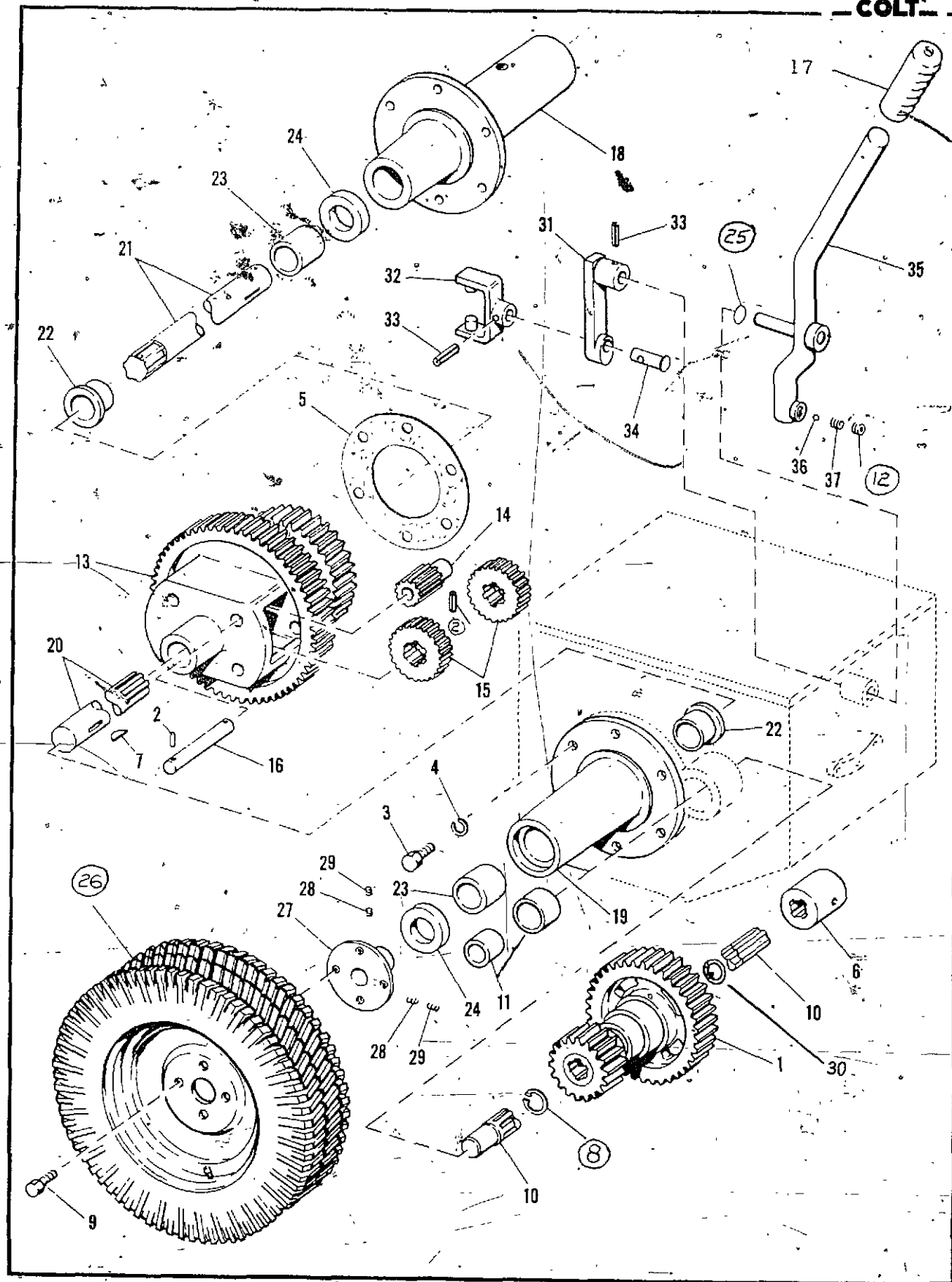


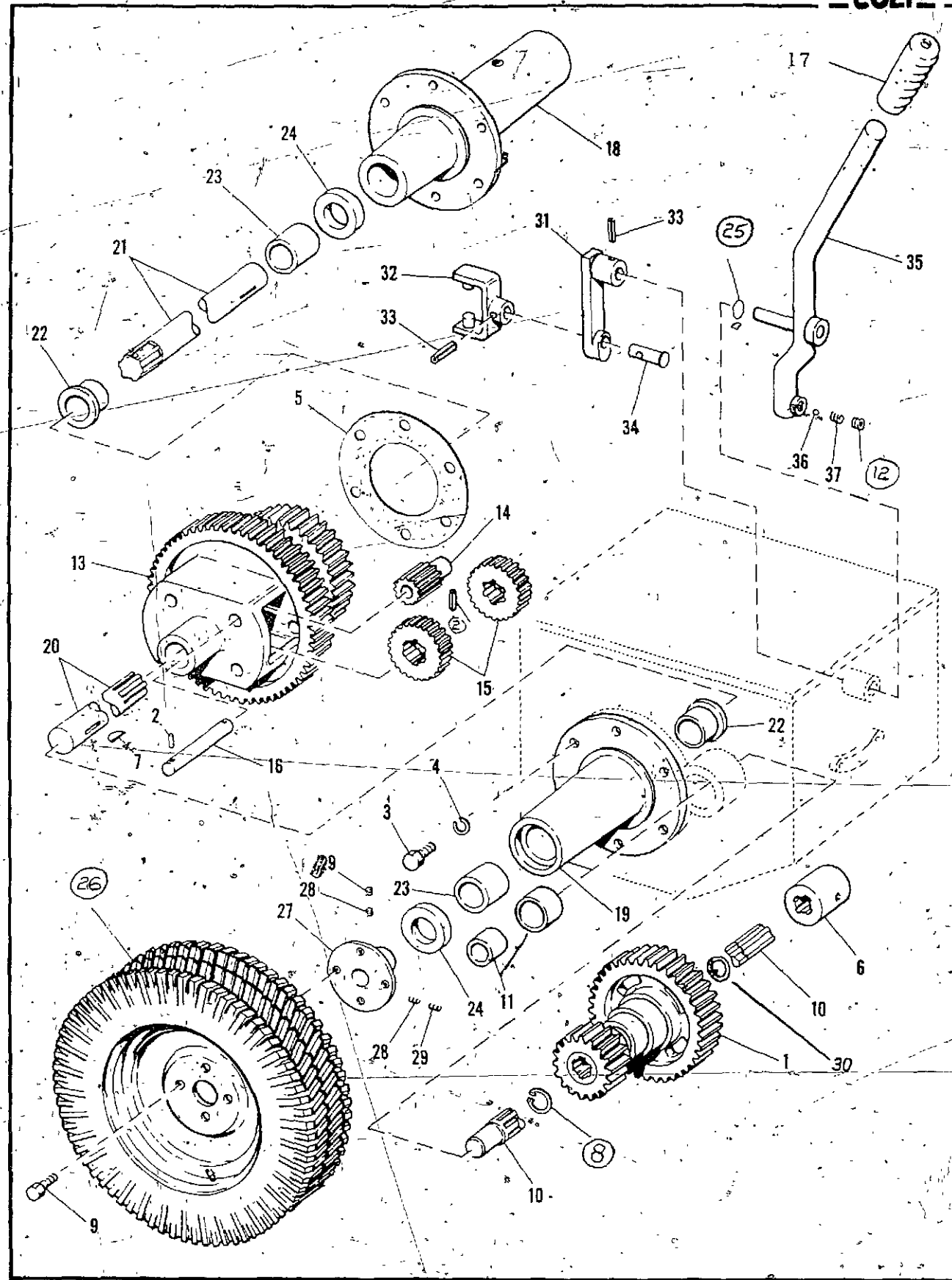
FIGURE 4. COLT-A-MATIC DRIVE ASSEMBLY

DLJ/mb

COLT MANUFACTURING CO., INC.
Parts & Service Department

-COLT-

FIGURE 4, COLT-A-MATIC DRIVE



ITEM	PART NO.	DESCRIPTION	QTY
1	C1003	Cluster Gear Assembly	1
2	C1011	Roll Pin, 3/16 X 1-3/4" lg	4
3	C1114	Special Sef Sealing Cap Screw	12
4	H27-3	3/8" Lockwasher	12
5	C1018	Axle Housing Gasket	2
6	C1028	Drive Shaft Shear Coupling	1
7	H34-2	Woodruff Key, Axle Shaft	2
8	C1189	Drive Shaft Stop Washer	1
9	C1115	Wheel Bolt	8
10	C1007	Drive Shaft	1
11	C1000	Needle Bearing Assembly	1
12	H16-1	3/8" - 16 X 3/8" lg Socket Head Set Screw	1
13	C1004	Differential Gear Housing	1
14	C1012	Differential Housing & Gear Assembly Complete	1
15	C1005	Differential Pinion Gear	4
16	C1006	Differential Gear	2
17	C1010	Differential Pin	4
18	C1338	Rubber Grip	1
19	* C1032	Rear Axle Housing, L.H.	1
20	* C1033	Rear Axle Housing, R.H.	1
21	C1008	Rear Axle Shaft, R.H.	1
22	C1009	Rear Axle Shaft, L.H.	1
23	C1001	Rear Axle Bushing, Flanged	2
24	C1002	Rear Axle Bushing	2
25	C1021	Oil Seal	2
26	C1022	O Ring	1
27	C1140	Rear Wheel Assembly, 6 X 12, Deluxe	2
28	C1148	Rear Tire, 6 X 12, Deluxe	2
29	C1150	Rear Wheel Rim, Deluxe & Super	2
30	C1149	Rear Tire Tube, 6 X 12, Deluxe	2
31	C1141	Rear Wheel Assembly, 8 X 12, Super	2
32	C1151	Rear Tire, 8 X 12, Tubeless, Super	2
33	C1142	Rear Wheel Assembly, 8 X 16, Rancher	2
34	C1152	Rear Tire, 8 X 16, Rancher	2
35	C1154	Rear Wheel Rim, 8 X 16, Rancher	2
36	C1153	Rear Tire Tube, 8 X 16, Rancher	2
37	* C1031	Wheel Hub	2
38	H16-2	1/4" - 20 X 1/4" lg Cone Point Set Screw	4
	H16-3	1/4" - 20 X 1/4" lg Flat Point Set Screw	4
	C1025	Retainer Ring	1
	C1030	Pivot Lever	1
	C1029	Gear Yoke	1
	C1017	3/8" X 1-1/4" lg Roll Pin	2
	C1013	Special Yoke Pin	1
	* C1034	High & Low Range Shift Lever	1
	C1023	Ball	1
	C1024	Spring	1
	** C1213	Wheel Hub Adapter, Rancher	2

NOTE: Unless otherwise indicated in the "Description" column, parts are interchangeable between the Deluxe, Super & Rancher Models.

* When ordering parts indicated by a single asterisk (*) specify color "Red" or "Black". If color is not specified part will be shipped "Black".

** Not Illustrated.

FIGURE 5, ENGINE ASSEMBLY

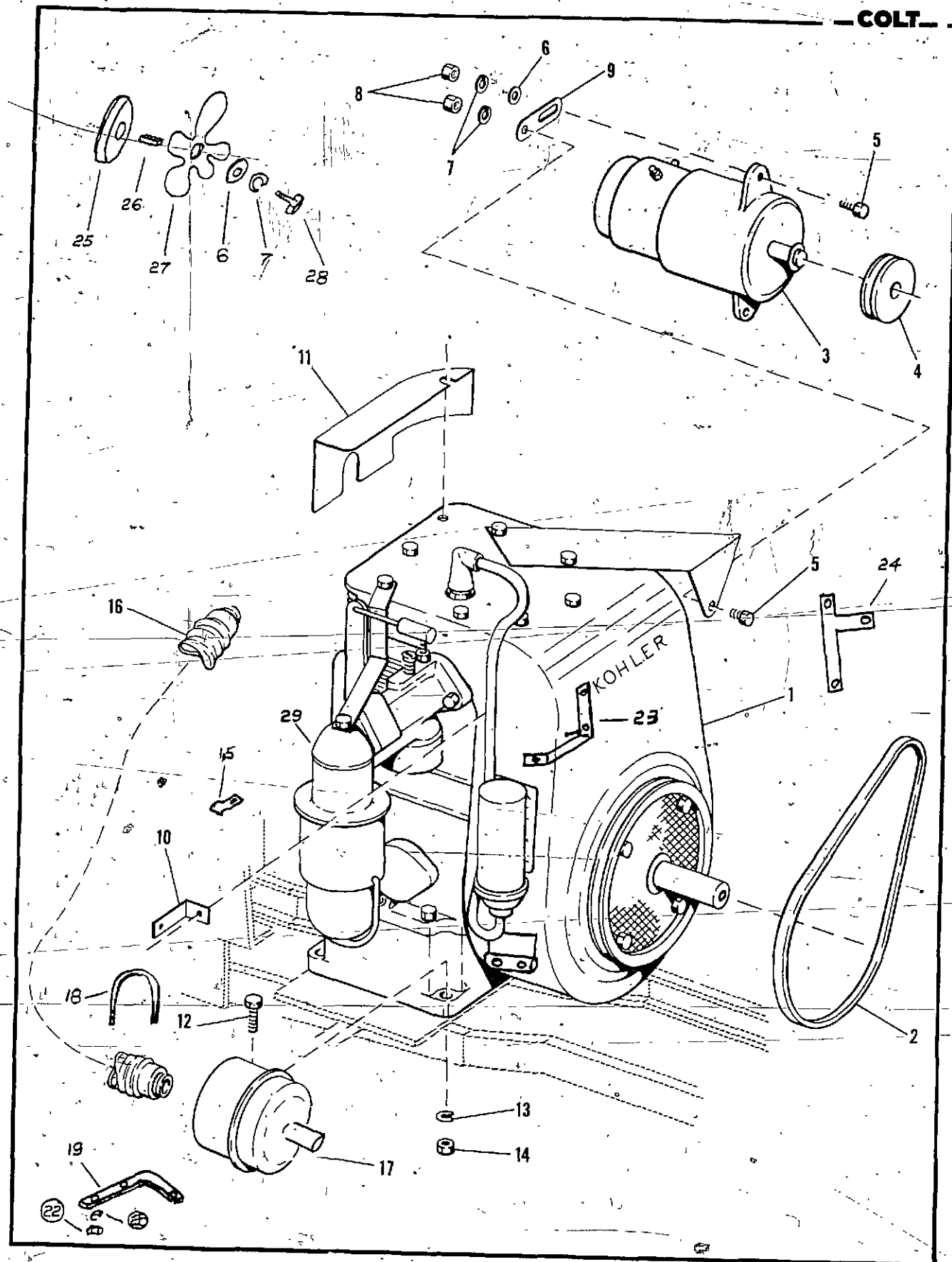
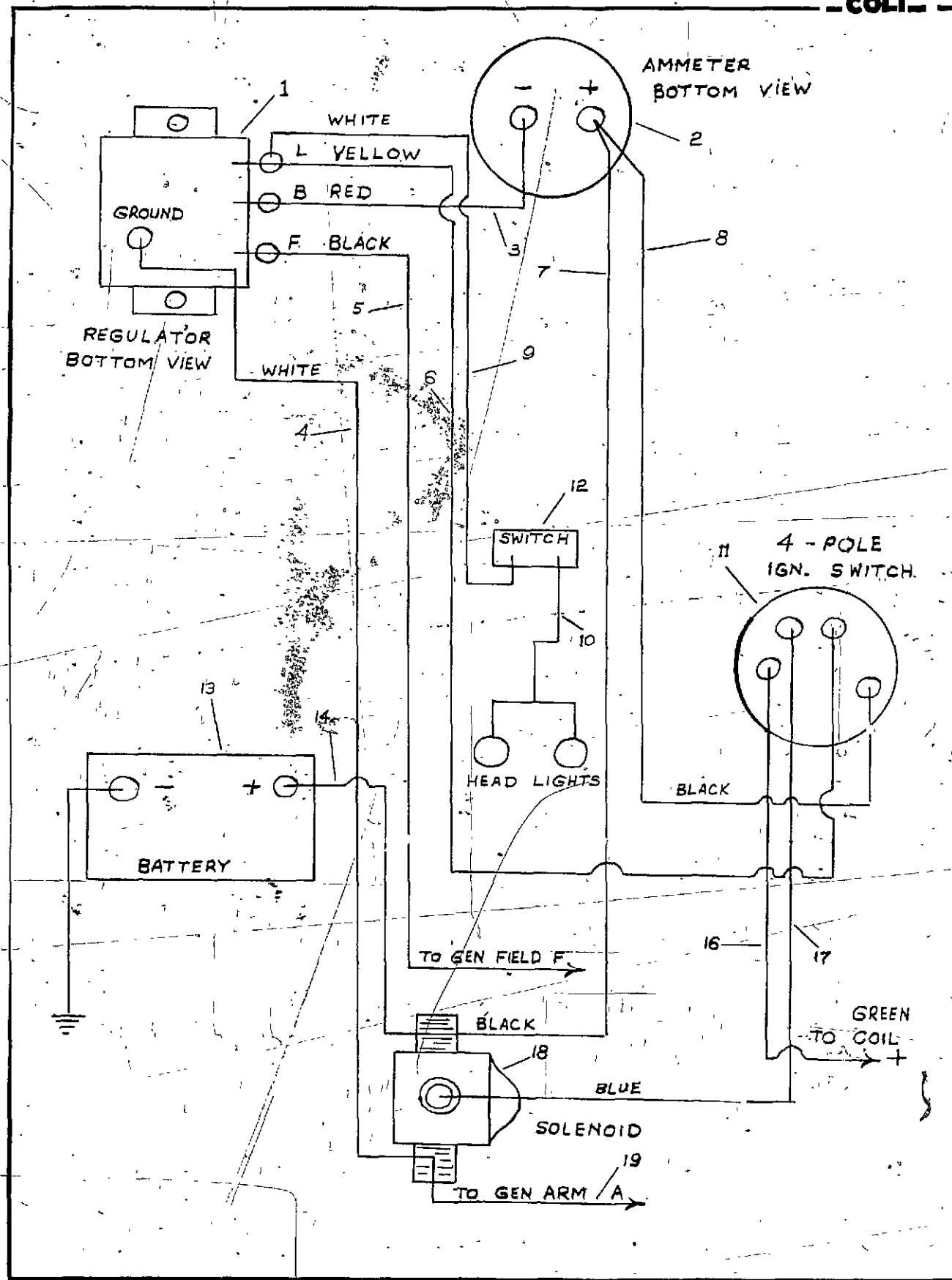


FIGURE 5. ENGINE INSTALLATION ASSEMBLY

ITEM	PART NO.	DESCRIPTION	QTY
1	C1068	Engine Assembly, Kohler K 2418 (To Colt Specs)	1
2	C1066	Generator Belt	1
3	C1132	Generator & Starting Motor	1
4	* C1067	Generator Pulley	1
5	H13-6	3/8" - 16 X 1-1/4" lg Hex Head Cap Screw	1
6	H26-3	3/8" Plain Washer	2
7	H 27-3	3/8" Lockwasher	1
8	H24-3	3/8" - 16 Hex Nut	2
9	C1174	Generator Adjusting Bracket	1
10	C1178	Throttle Cable Bracket	1
11	* C1176	Heat Deflector	1
12	H13-12	1/2" - 13 X 2" lg Hex Head Cap Screw	4
13	H27-5	1/2" Lockwasher	4
14	H25-5	1/2" - 13 Hex Nut	4
15	C1175	Cable Clamp	2
16	C1055	Exhaust Tubing	1
17	C1062	Exhaust Muffler	1
18	* C1069	U Bolt, 1/4" - 20	1
19	* C1063	Muffler Bracket	1
20	H27-1	1/4" Lockwasher	3
21	H24-1	1/4" - 20 Hex Nut	2
22	H13-1	1/4" - 20 X 3/4" lg Hex Head Cap Screw	1
23	C1192	Gas Tank Mounting Bracket, R.H.	1
24	C1065	Gas Tank Mounting Bracket, L.H.	1
25	C1190	Engine Pulley	1
26	C1112	Square Key, 1/4" X 1-1/4" lg	1
27	C1070	Fan	1
28	H13-4	3/8" - 16 X 3/4" lg Hex Head Cap Screw	1
29	C1191	Replacement Air Cleaner Cartridge	1

NOTE : When ordering parts indicated by a single asterisk (*) specify "Red" or "Black" color. If color is not specified part will be shipped "Black".

FIGURE 6, ELECTRICAL SYSTEM.



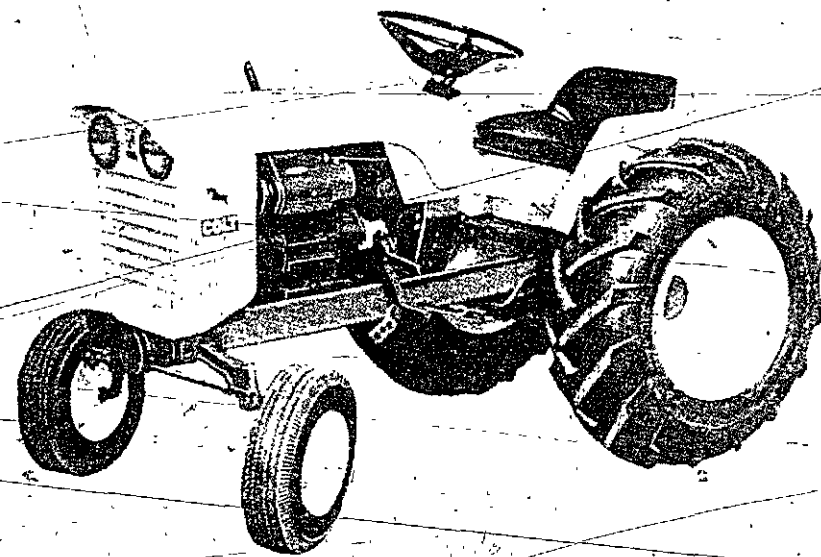
ITEM	PART NO.	DESCRIPTION	QTY
1	C1131	Voltage Regulator	1
2	C1129	Ammeter	1
3	C1117	Wire, Red, 15 1/2" lg	1
4	C1122	Wire, White, 10 1/4" lg	1
5	C1118	Wire, Black, 33" lg	1
6	C1116	Wire, Yellow, 18" lg	1
7	C1123	Wire, Black, 12" lg	1
8	C1119	Wire, Black, 7 1/4" lg	1
9	C1194	Wire, White, 9 1/2" lg	1
10	C1195	Wire, Red, 35" lg	1
11	C1128	Key Start Switch	1
12	C1130	Light Switch	1
13	C1098	Battery	1
14	C1126	Battery Cable, 13" (Positive)	1
15	C1125	Battery Cable, 11" (Negative)	1
16	C1121	Wire, Green, 33 1/2" lg	1
17	C1120	Wire, Blue, 15 1/4" lg	1
18	C1133	Starting Solenoid	1
19	C1124	Generator Cable, 21 1/2" lg (Armature)	1
	C1127	Wiring Harness	1

FIGURE 6 ELECTRICAL WIRING DIAGRAM

**COLT COMPACT TRACTORS
AND ATTACHMENTS**
2110, 2310, 2510, 2712
Parts Catalog 8-1750

3-82-RP-200

NOTE: This catalog replaces catalogs G6F1, G6E3 and G6F7 and all their revisions.



ALPHABETICAL INDEX

ENGINE SECTION

	PAGE	GRID		PAGE	GRID
Battery	9	C10	Fuel System	5	C6
Belt, Starter-Generator	7	C8	Muffler	7	C8
Electrical System	9	C10	PTO, Front	21	D8
Engine Attaching Parts	7	C8	Pulley, Clutch	21	D8
Exchanger, Heat	35	E8	Spark Plug	9	C10
Exhaust System	7	C8	Starter	11	C12
Fan	7	C8	Tank, Fuel	5	C6
Fuel Strainer	5	C6	Throttle Linkage	7	C8

BASIC TRACTOR SECTION

	PAGE	GRID		PAGE	GRID
Axle, Front	19	D6	Hydraulics	35-41	E8-E14
Rear	23-27	D10-D14	Coupling, Pump Drive	39	E12
Baffles & Shrouds	7	C8	Hoses, Lines & Fittings	35	E8
Belt-drive	31	E4	Motor, Hydraulic Drive	41	E14
Brake	29-33	E2-E6	Pump	39	E12
Clutch	29	E2	Valve, Control	37	E10
Decals	43	F2	Valve, Control Linkage	33	E6
Fenders	43	F2	Implement Lift Lever	47	F6
Frame	45	F4	Instruments	9	C10
Grille	45	F4	Seat, Operator's	43	F2
Headlights	9	C10	Steering Wheel	17	D4
Hitch	47	F6	Transmission	23-27	D10-D14
Hood	45	F4	Wheels, Front & Rear	13-15	C14-D15

ATTACHMENTS

	PAGE	GRID
Rotary Mower 38" - 44"	49-57	F8-G2
Dozer Blade 44" - 50"	59-61	G4-G6
Dump Cart	63	G8

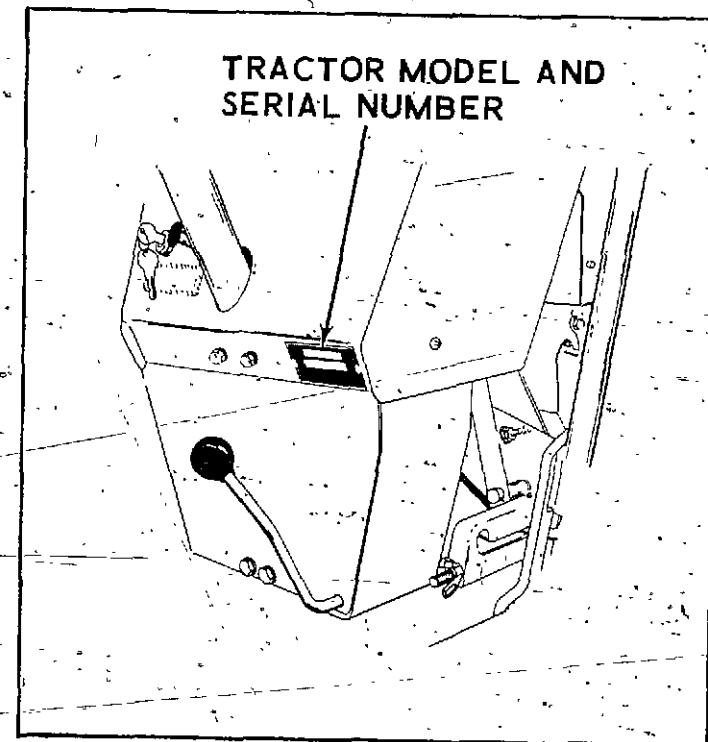
NOTE: See grid A1 for Colt models Super, Deluxe, Rancher.

J.I. Case
A Tenneco Company

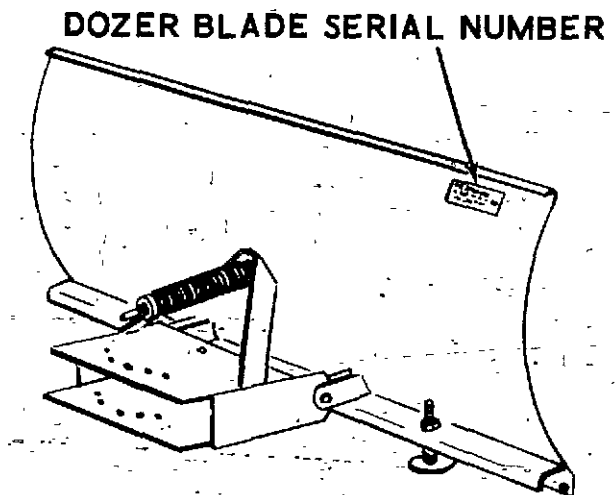
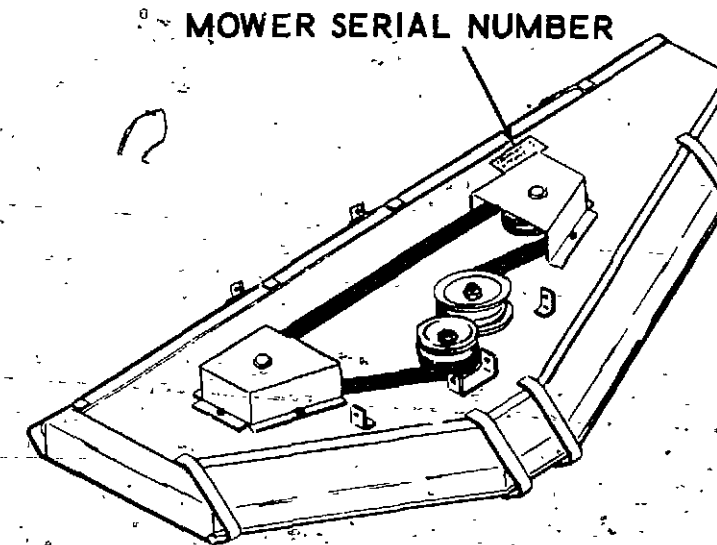


OPE Division
Technical Publications
119 S. First Street
Winneconne, Wis. 54986

COLT 2110, 2310, 2510 AND 2712 COMPACT TRACTORS



ROTARY MOWER, DOZER BLADE AND DUMP CART



NOTE There is no serial number located on the dump cart.

TRACTOR MODEL DESIGNATIONS	ENGINE MODEL DESIGNATIONS
2110, 2310	C 10578
2510	C 10578
2712	C 10579

DESIGNATIONS	TRACTOR APPLICATION			
	2110	2310	2510	2712
38" ROTARY MOWER	X	X		
44" ROTARY MOWER	X	X	X	X
44" DOZER BLADE	X	X		
50" DOZER BLADE			X	X
DUMP CART	X	X	X	X

Serial Numbers

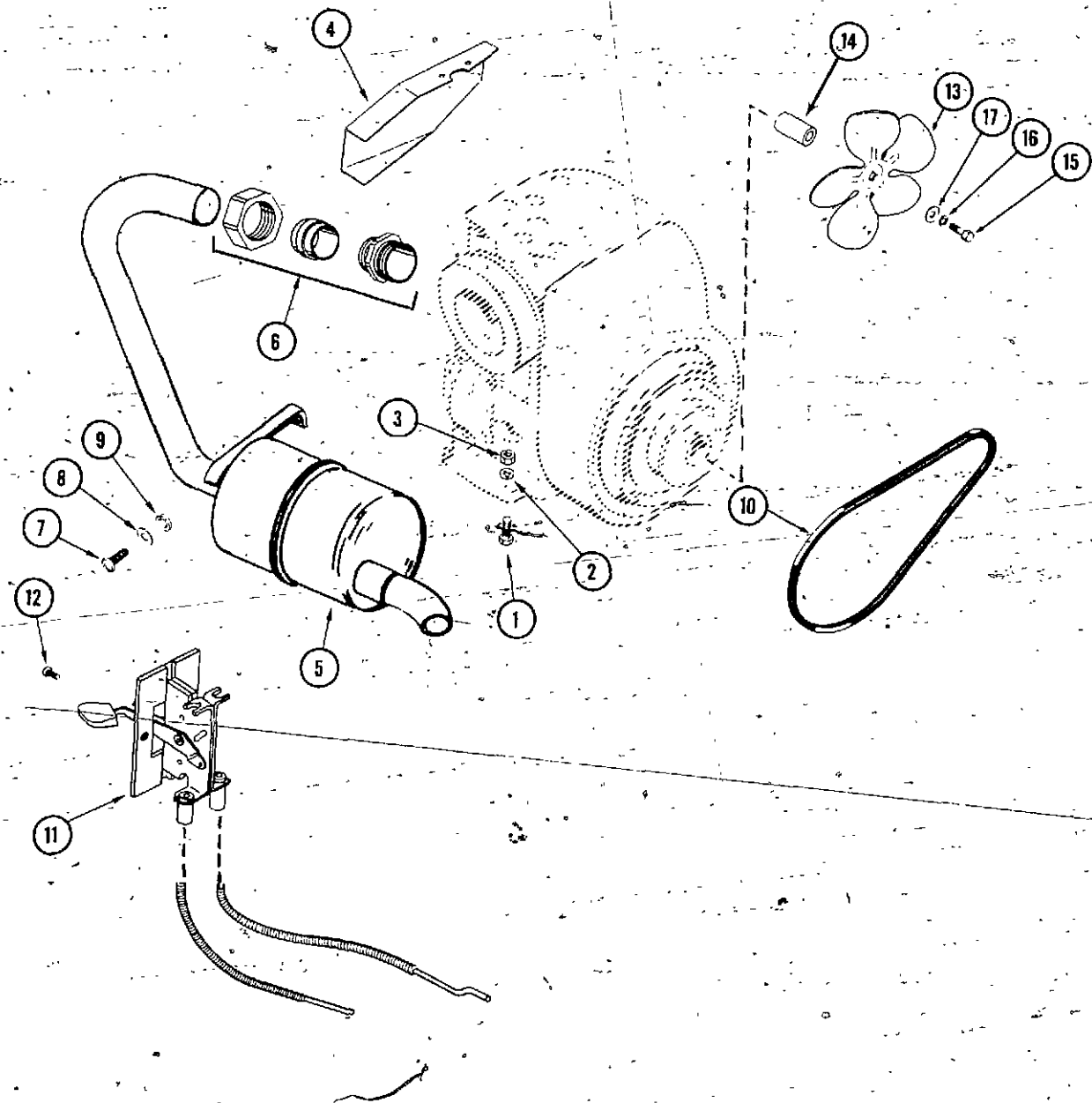
When using this catalog, notice the reference to serial numbers of various components noted here and listed in the "description" copy. By referring to correct serial numbers, proper parts identification will be assured.

Serial Numbers

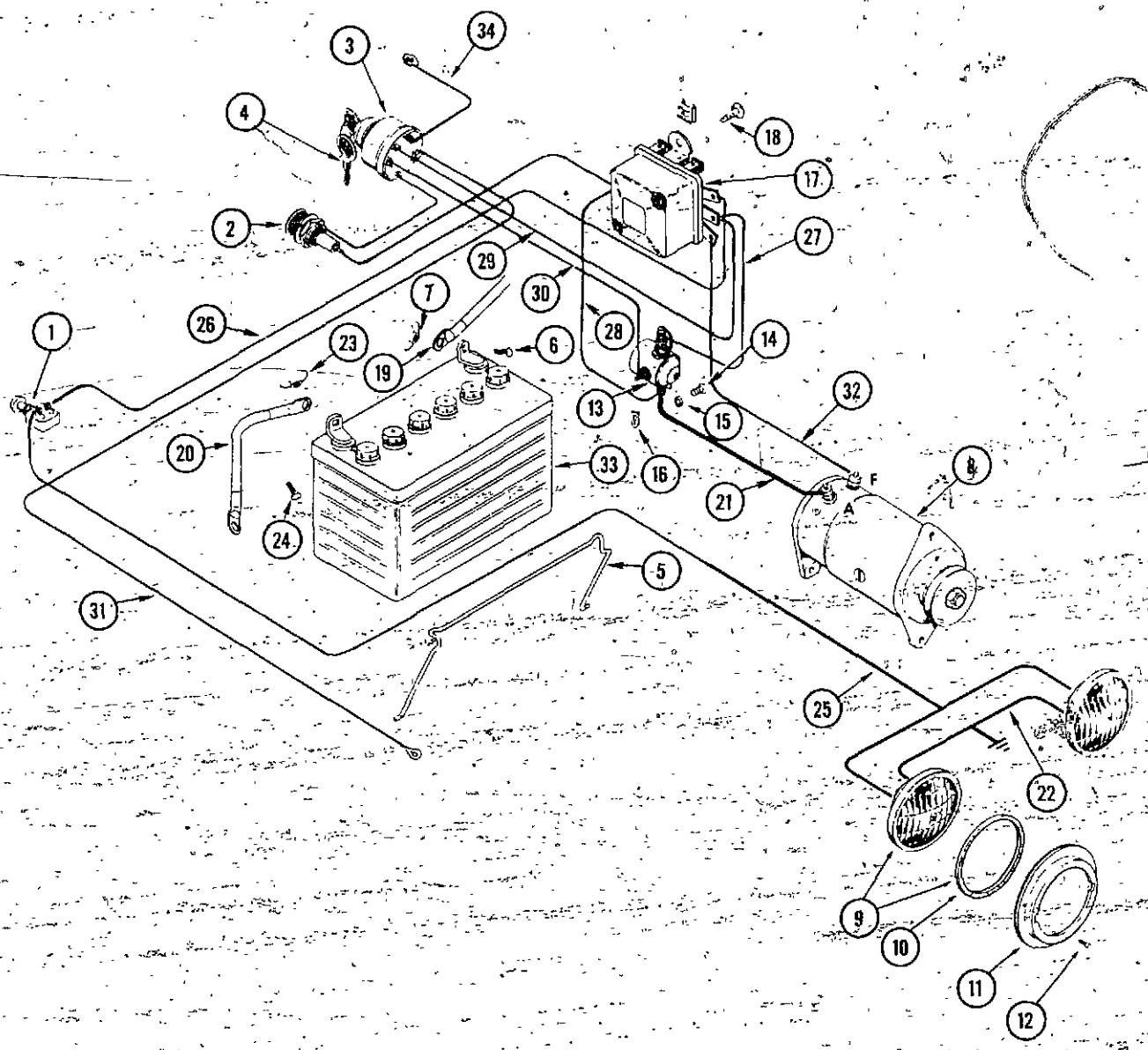
When using this catalog, notice the reference to serial numbers of various components noted here and listed in the "description" copy. By referring to correct serial numbers, proper parts identification will be assured.

ENGINE ATTACHING PARTS

REF. PART NO.	DESCRIPTION	REQ'D
1 145- 201	BOLT - 3/8" UNC x 1-1/2" hex head	4
2 192- 21	LOCKWASHER - 3/8" SAE	4
3 129- 103	NUT - 3/8" N.C., hex	4
4 C 10929	DEFLECTOR - engine air	1
5 C 10560	MUFFLER, exhaust	1
6 C 10561	CONNECTOR, muffler to engine	1
7 113- 118	SCREW - 5/16"-18 x 5/8" hex cap	1
8 195- 103	WASHER - 5/16" SAE, plain	1
9 192- 20	LOCKWASHER - 5/16" SAE	1
10 C 10866	BELT - drive, starter-generator	1
11 C 10427	CONTROL - throttle and choke	1
12 187- 1008	SCREW - #6 x 1/2" Phillips pan head	2
13 A 70084	FAN - engine	1
14 C 10313	SPACER - fan	1
15 113- 203	BOLT - FH UNC 3/8 x 3-1/2, plated	1
16 92- .6	LOCKWASHER - 3/8 SAE std.	1
17 95- .6	WASHER - 3/8 SAE plain	1

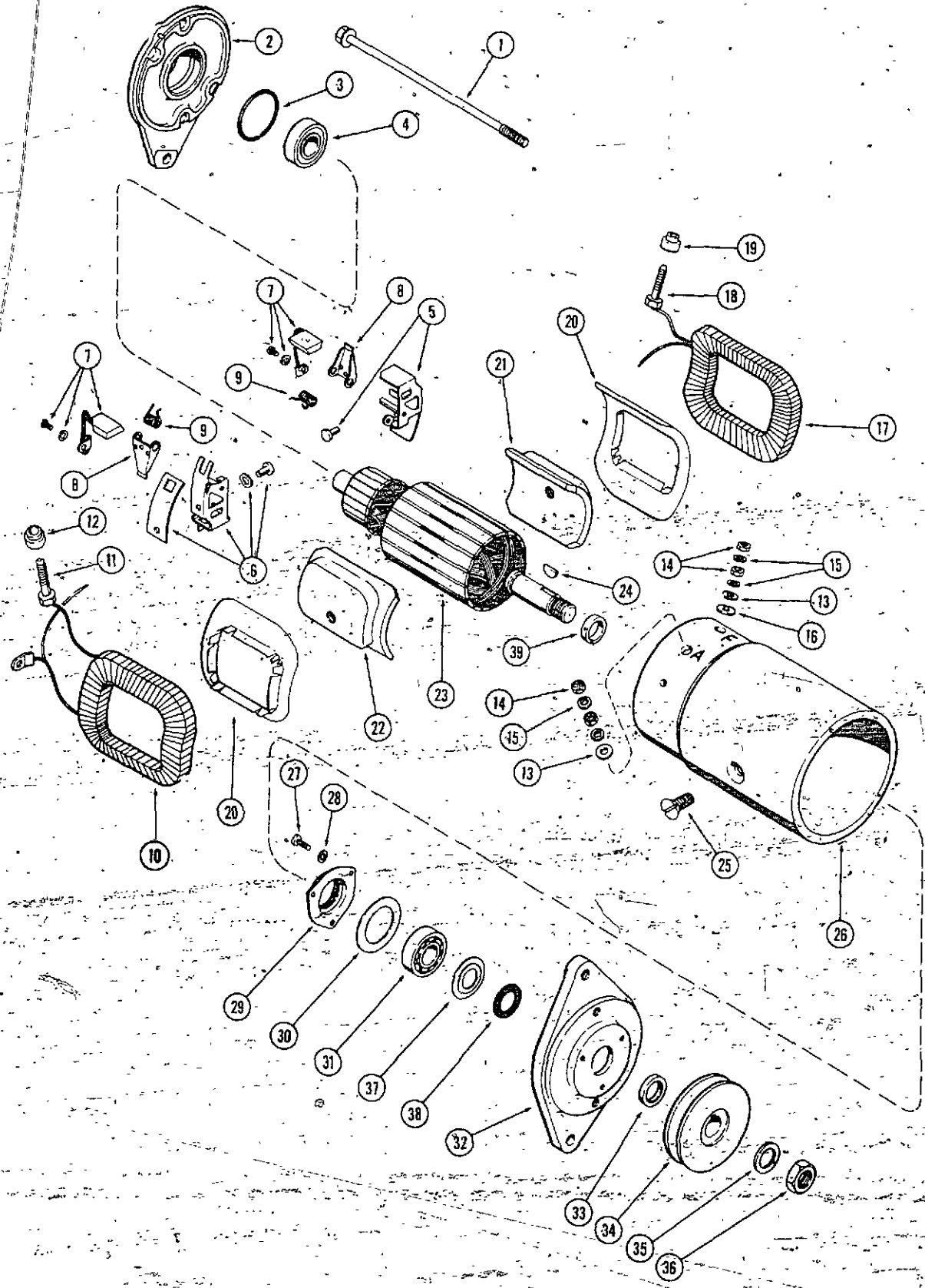


ELECTRICAL WIRING AND HARDWARE



REF. PART NO.	DESCRIPTION	REQ'D
1 C 10474	SWITCH - light	1
2 C 10397	LIGHT - generator indicator (with leads)	1
3 C 10721	SWITCH - ignition (incl. key and nut) (Keys not furnished - must be made locally)	1
4 C 11841	KEY - ignition switch	2
5 C 10549	HOLD DOWN - battery	1
6 C 10461	BOLT - carriage, battery positive	1
7 129- 419	NUT - wing, battery positive	1
8 A 70202	STARTER-GENERATOR - Delco No. 1101970	1
9 A 11280	HEADLAMP - 12 volt	2
10 A 11276	GASKET - retainer ring	2
11 A 11275	RING - headlamp retainer	2
12 187- 1102	SCREW - #6 x 1/2" pan hd. self-tapping	6
13 C 11247	SOLENOID - starting	1
14 113- 101	BOLT - 5/16" x 1/2" UN hex hd. plated	2
15 192- 20	WASHER - 5/16" plated	2
16 C 10836	NUT - speed type "U"	2
17 A 70221	REGULATOR - voltage Delco No. 1118988	1
18 187- 131	SCREW - 10" x 1/2", self-tapping flat head	2
19 C 10470	CABLE - battery - positive to solenoid	1
20 C 10473	CABLE - battery - negative to ground	1
21 C 10471	CABLE - solenoid to starter-generator	1
22 C 10985	WIRE ASSY - headlight to ground	1
23 129- 409	NUT - wing, battery negative	1
24 C 10469	BOLT - carriage, battery negative	1
25 C 10588	WIRE - switch to headlights, 40" black	1
26 C 10587	WIRE - regulator to light switch, 10" yellow	1
27 C 10590	WIRE - regulator to solenoid, 12-1/4" black	1
28 C 10586	WIRE - regulator ground to solenoid, 7-1/4" white	1
29 C 10837	WIRE - ignition switch to regulator, 7-1/2" red	1
30 C 10838	WIRE - ignition switch to solenoid, 12-1/2" blue	1
31 C 10592	WIRE - ignition switch to magneto, 36" green	1
32 C 10585	WIRE - regulator field to generator field, 22-3/4" black	1
33 M 20164	BATTERY - 12 volt	1
34 C 10839	WIRE, ignition switch to ground, 9" white	1

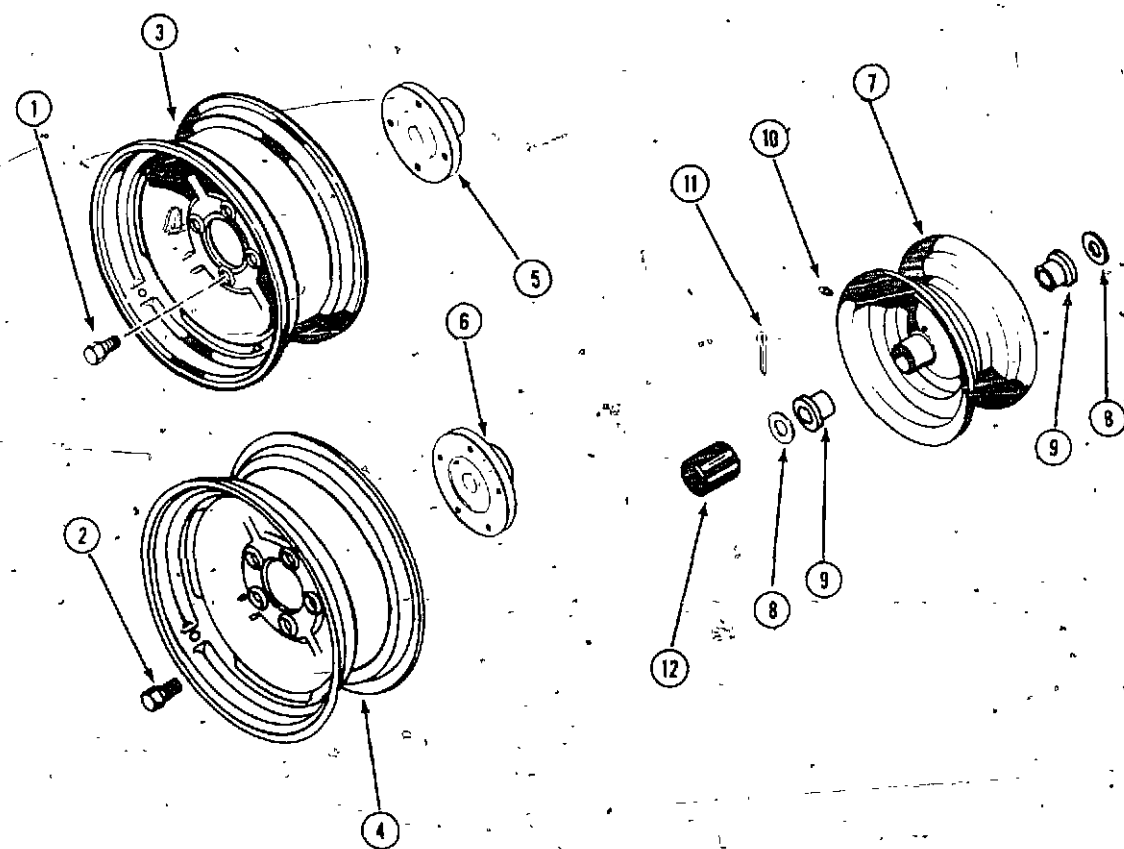
*** A70202 STARTER-GENERATOR**



REF. PART NO.	DESCRIPTION	REQ'D
1	BOLT - thru (includes washer)	2
2	FRAME ASSY - commutator end	1
3	RING - bearing retainer	1
4	BEARING - commutator end ball	1
5	HOLDER KIT - ground brush	1
6	HOLDER KIT - insulated brush	1
7	BRUSH ASSY	2
8	ARM - brush pressure	2
9	SPRING - brush arm	2
10	COIL ASSY - field R.H.	1
11	STUD - armature terminal	1
12	BUSHING - insulated, armature stud	1
13	WASHER - armature stud	2
14	NUT - terminal stud 12-24 hex	4
15	LOCKWASHER - terminal stud #12	4
16	WASHER - insulated, field stud	1
17	COIL ASSY - field, L.H.	1
18	STUD - field terminal	1
19	BUSHING - insulated, field stud	1
20	INSULATOR - field coil	2
21	SHOE - pole,	1
22	SHOE - pole,	1
23	ARMATURE	1
24	KEY - Woodruff, armature	1
25	SCREW - pole	2
26	NSS BODY - starter generator (Order A70202)	1
27	SCREW - 10-32 x 1/2" rd. Hd.	3
28	LOCKWASHER - 3/16" plated	3
29	RETAINER ASSY - bearing (includes ref. 37 & 38)	1
30	GASKET - bearing retainer	1
31	BEARING - ball, drive end	1
32	FRAME ASSY - drive end	1
33	SPACER - pulley	1
34	PULLEY - starter - generator drive	1
35	LOCKWASHER - .11/16" plated	1
36	NUT - armature shaft, drive end	1
37	NSS RETAINER - grease (Order A72050)	1
38	NSS SEAL - felt (Order A72050)	1
39	NSS SPACER - armature shaft, inner	1

* Replacement parts order or warranty adjustments for the Delco No. 11101970 starter-generator will be handled by the local authorized Delco Service Station.

FRONT AND REAR WHEELS



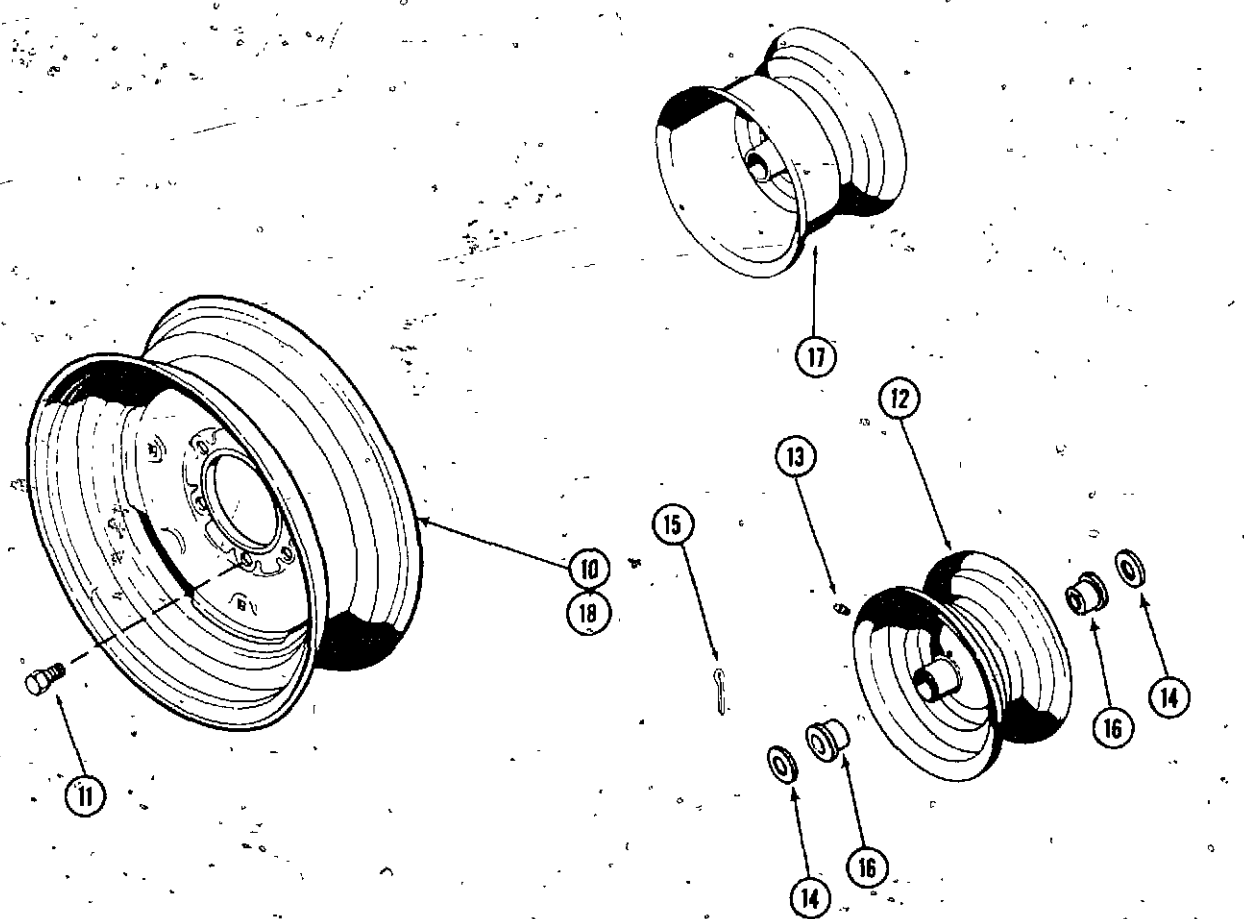
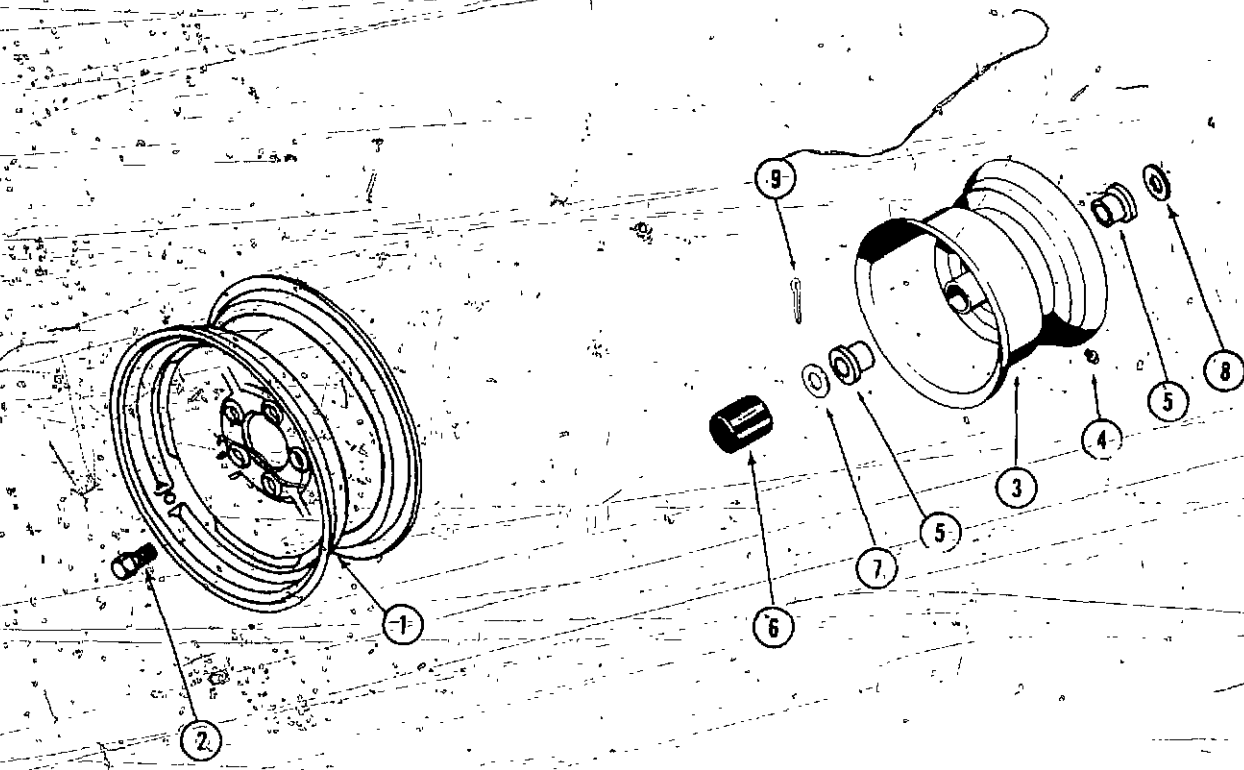
REF. PART NO.	DESCRIPTION	REQ'D
1 A 70184	BOLT - rear wheel lug	8
2 C 10314	BOLT - rear wheel lug	10
3 A 70183	WHEEL - rear (For four bolt hub)	2
4 C 10263	WHEEL - rear (For five bolt hub)	2
5 A 70144	HUB - rear wheel, 4 hole	2
6 C 10446	HUB - rear wheel, 5 hole	2
7 A 70479	WHEEL - front	2
8 C 10552	WASHER - 3/4" x 1-1/4", spacer	2
9 A 70398	BUSHING - front wheel	4
10 219- 1	FITTING - lubrication, 1/8" NPT	2
11 132- 73	PIN - cotter, 5/32" x 1-1/2"	2
12 C 10534	CAP - plastic front wheel	2

2310 FRONT AND REAR WHEELS

REF. PART NO.	DESCRIPTION	REQ'D
1 C 10263	WHEEL - rear	2
2 C 10314	BOLT - rear wheel	10
3 A 70061	WHEEL - front	2
4 219- 1	FITTING - lubrication, 1/8" NPT	2
5 A 70398	BUSHING - front wheel	4
6 C 10534	CAP - plastic, front wheel	2
7 C 10552	WASHER - 3/4" x 1-1/4", spacer	2
8 195- 45	WASHER - 3/4" plain	2
9 132- 73	PIN - cotter, 5/32" x 1-1/2"	2

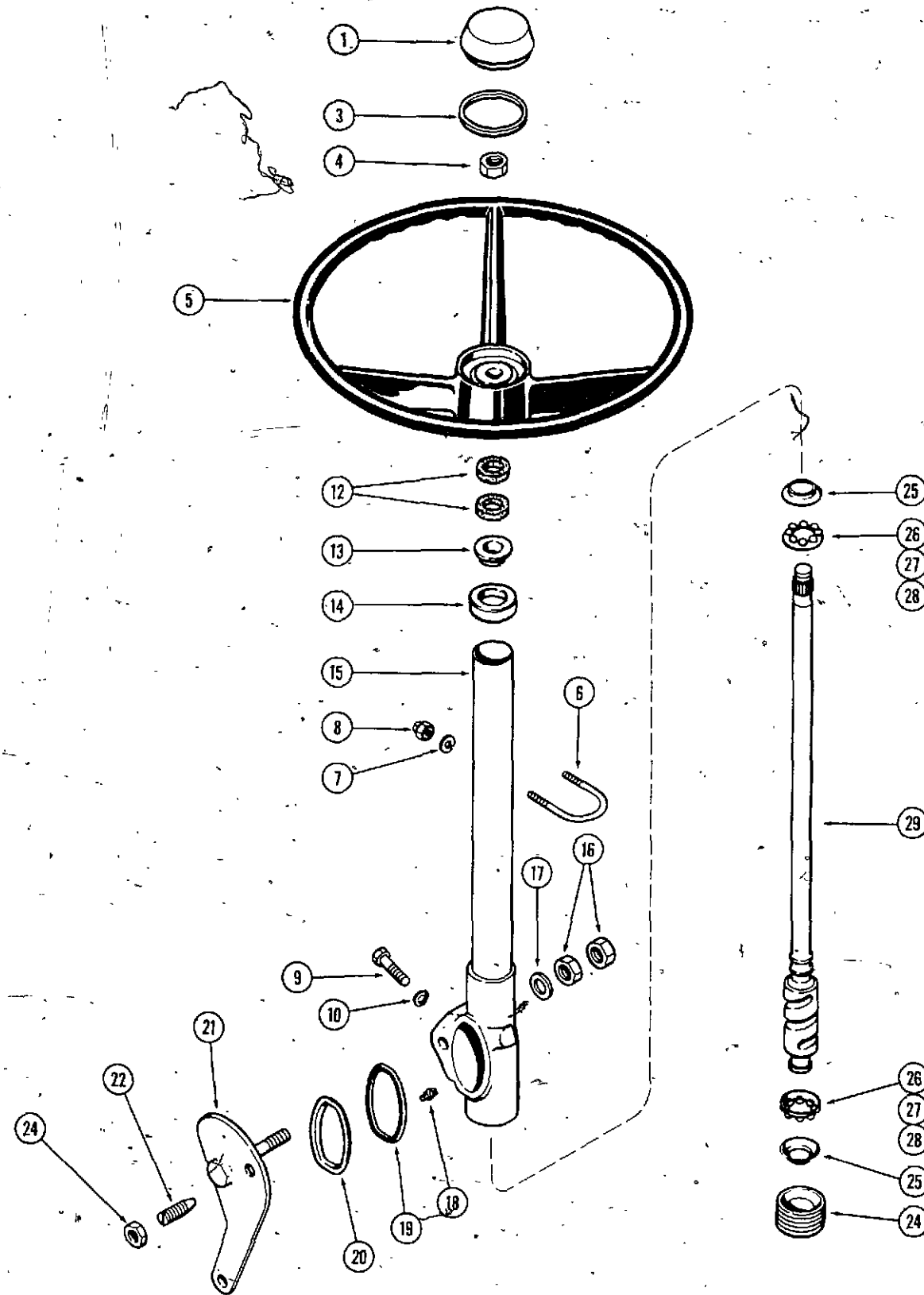
2510 AND 2712 FRONT AND REAR WHEELS

10 C 10317	WHEEL - rear (2712)	2
11 A 70184	BOLT - rear wheel	12
12 A 70061	WHEEL - front	2
13 219- 1	FITTING - lubrication, 1/8" NPT	2
14 A 70463	WASHER - 1" plain	4
15 132- 73	PIN - cotter, 5/32" x 1-1/2"	2
16 C 10537	BUSHING - front wheel	4
17 A 70479	WHEEL - front	2
18 C 10316	WHEEL - rear (2510)	2

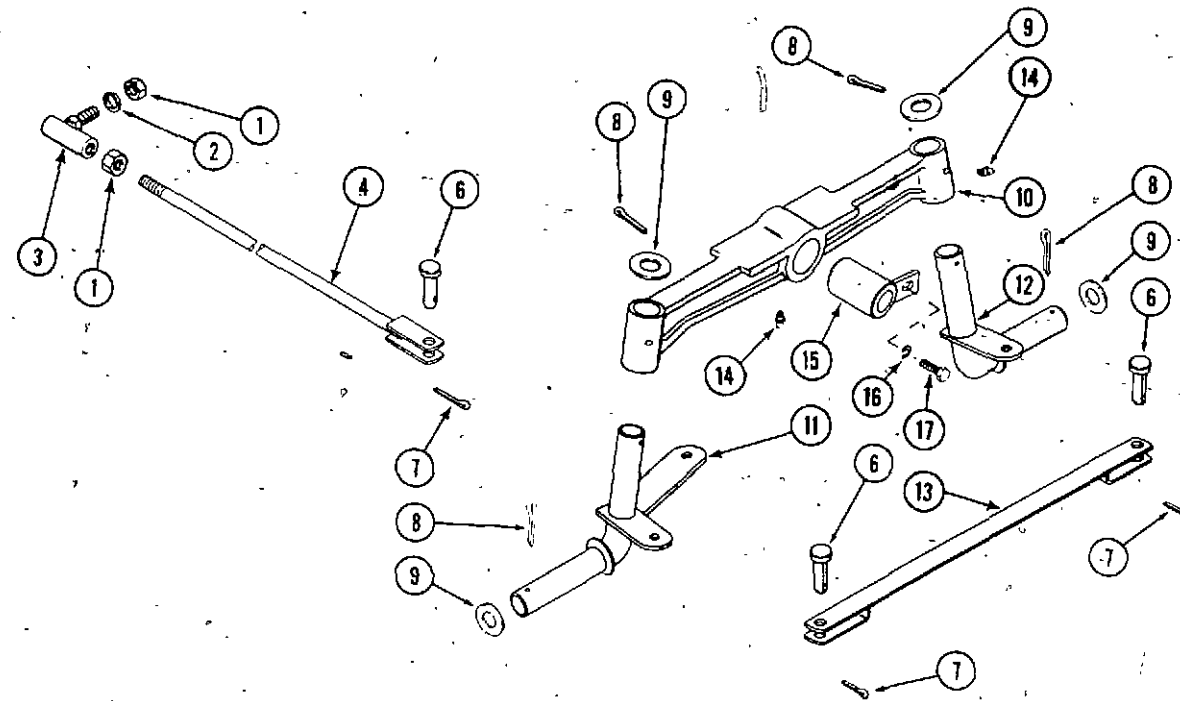


STEERING GEAR

REF. PART NO.	DESCRIPTION	REQ'D
1 C 10569	MEDALLION - steering wheel	1
3 C 10570	RING - medallion retaining	1
4 25- 1510	NUT - 5/8" N.F. hex	1
5 A 70058	WHEEL - steering	1
6 C 10364	U-bolt - strg. gear mtg.	1
7 192- 19	LOCKWASHER - 1/4" plated	2
8 129- 501	NUT - 1/4" N.C. hex Acorn	2
9 13- 644	BOLT - 3/8" x 2-3/4" N.C. hex hd, plated	2
10 192- 21	LOCKWASHER - 3/8" plated	2
A 70056	STEERING GEAR ASSY	1
12 F 19645	SEAL - felt	2
13 A 72011	BEARING - spacer (Nylon)	1
14 A 72012	RETAINER - bearing	1
15 NSS	HOUSING AND TUBE ASSY (Order A70056)	1
16 25- 1510	NUT - jam 5/8" N.F. hex	2
17 A 72014	WASHER - bronze	1
18 219- 14	FITTING - lube	1
19 A 72015	SEAL	1
20 A 72013	RETAINER - seal	1
21 A 72022	LEVER & BOLT ASSY.	1
22 A 72017	STUD - adjusting	1
23 A 72010	NUT - adjusting	1
24 A 72021	PLUG - adjusting	1
25 A 72018	CUP - bearing	2
26 A 72020	BALL - retainer assembly	2
27 NSS	RETAINER - ball	1
28 211- 9	BALL - 5/16" dia.	8
29 NSS	CAM AND TUBE ASSY - (Order A70056)	1

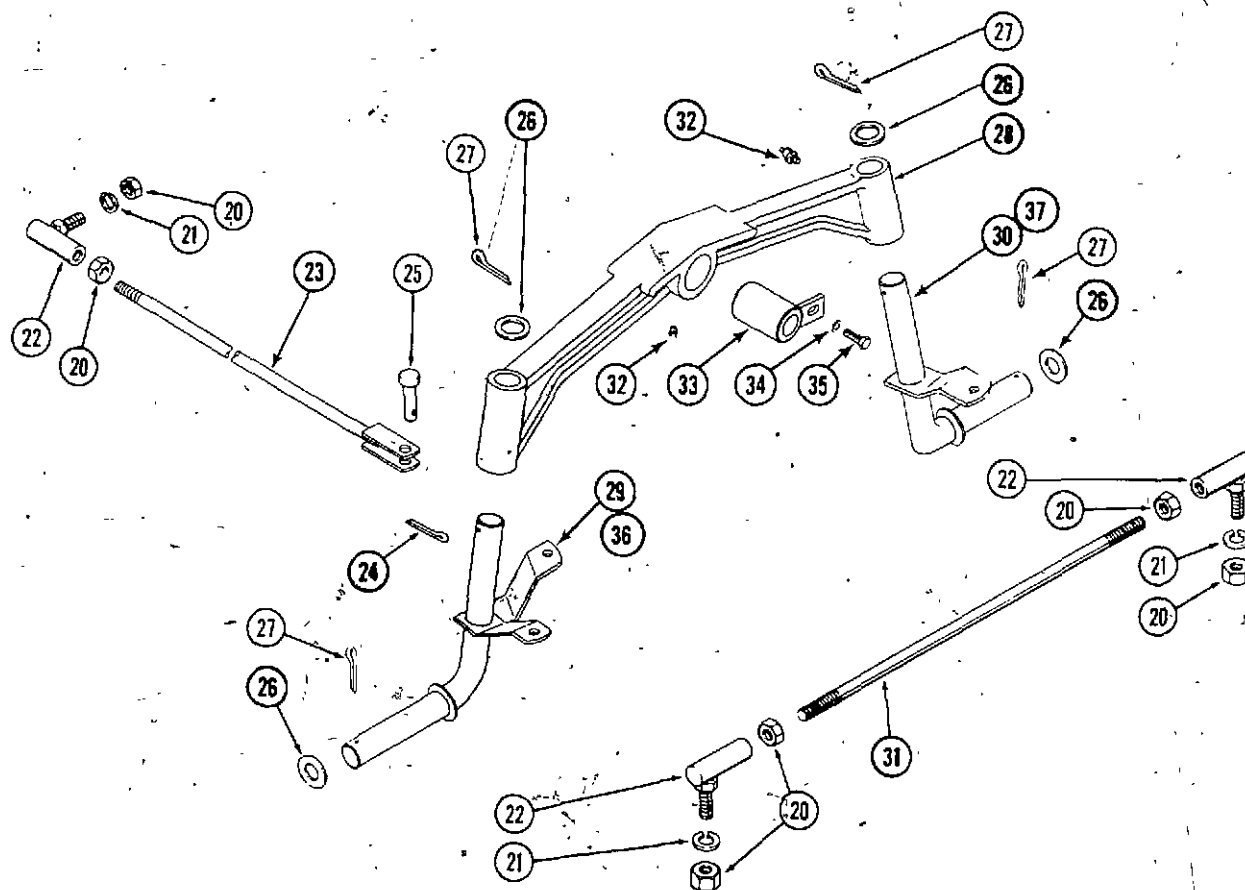


2110 AND 2310 FRONT AXLE



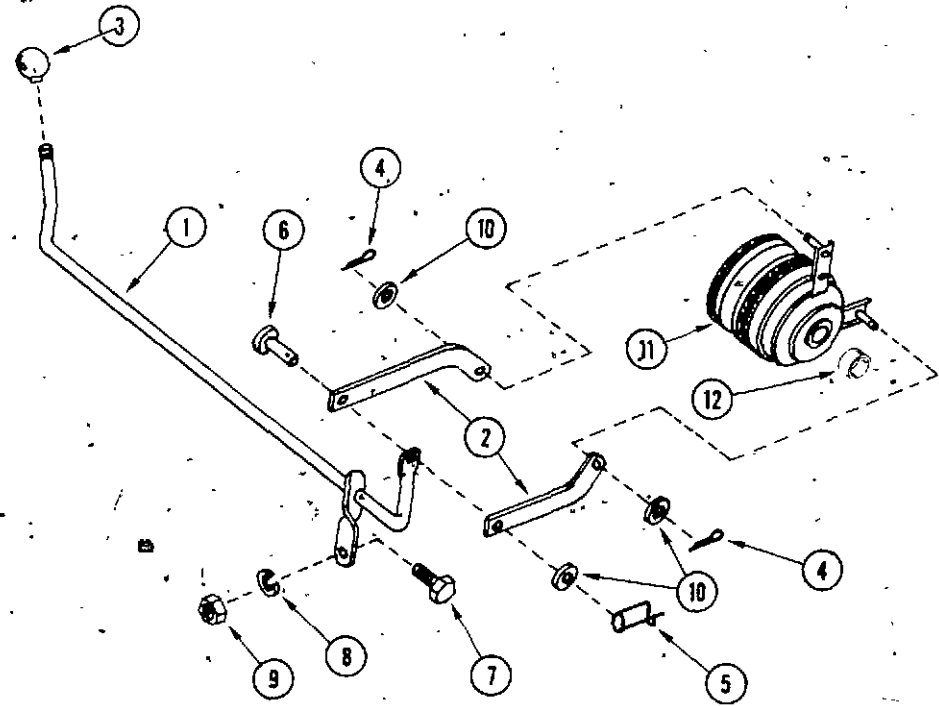
REF. PART NO.	DESCRIPTION	REQ'D	
1	129- 125	NUT - 1/2" N.C., hex plated	2
2*	192- 23	LOCKWASHER - 1/2" SAE, plated	2
3	A 70055	JOINT - ball, 1/2"	1
4	C 10247	ROD - drag link	1
6	141- 6	PIN - tie bar and drag link	3
7	132- 47	PIN - cotter, 1/8" x 7/8"	3
8	132- 73	PIN - cotter, 5/32" x 1-1/2"	2
9	195- 45	WASHER - plain, 3/4"	2
10	C 10209	AXLE - front	1
11	C 10240	SPINDLE - right hand	1
12	C 10241	SPINDLE - left hand	1
13	C 10235	TIE BAR - spindle	1
14	219- 8	FITTING - lube	3
15	C 10501	PIN - axle pivot (See C10500 for tractor w/PTO)	1
16	192- 21	LOCKWASHER - 3/8" SAE	1
17	113- 205	CAPSCREW - 3/8" x 5/8" FHBUNC	1

2510 AND 2712 FRONT AXLE



20	129- 125	NUT - 1/2" N.C., hex plated	6
21*	192- 23	LOCKWASHER - 1/2" SAE, plated	6
22	A 70055	JOINT - ball, 1/2"	3
23	C 10250	ROD - drag link	1
24	132- 47	PIN - cotter, 1/8" x 7/8"	1
25	141- 6	PIN - drag link	1
26	A 70463	WASHER - plain, 1"	2
27	132- 73	PIN - cotter, 5/32" x 1-1/2"	2
28	C 10208	AXLE - front	1
29	C 10215	SPINDLE - right hand (2712)	1
30	C 10217	SPINDLE - left hand (2712)	1
31	C 10246	TIE ROD	1
32	219- 8	FITTING, lube	3
33	C 10501	PIN - axle pivot (See C10500 for tractor w/PTO)	1
34	192- 21	LOCKWASHER - 3/8" SAE	1
35	113- 205	CAPSCREW - 3/8" x 5/8" FHBUNC	1
36	C 10216	SPINDLE - right hand (2510)	1
37	C 10218	SPINDLE - left hand (2510)	1

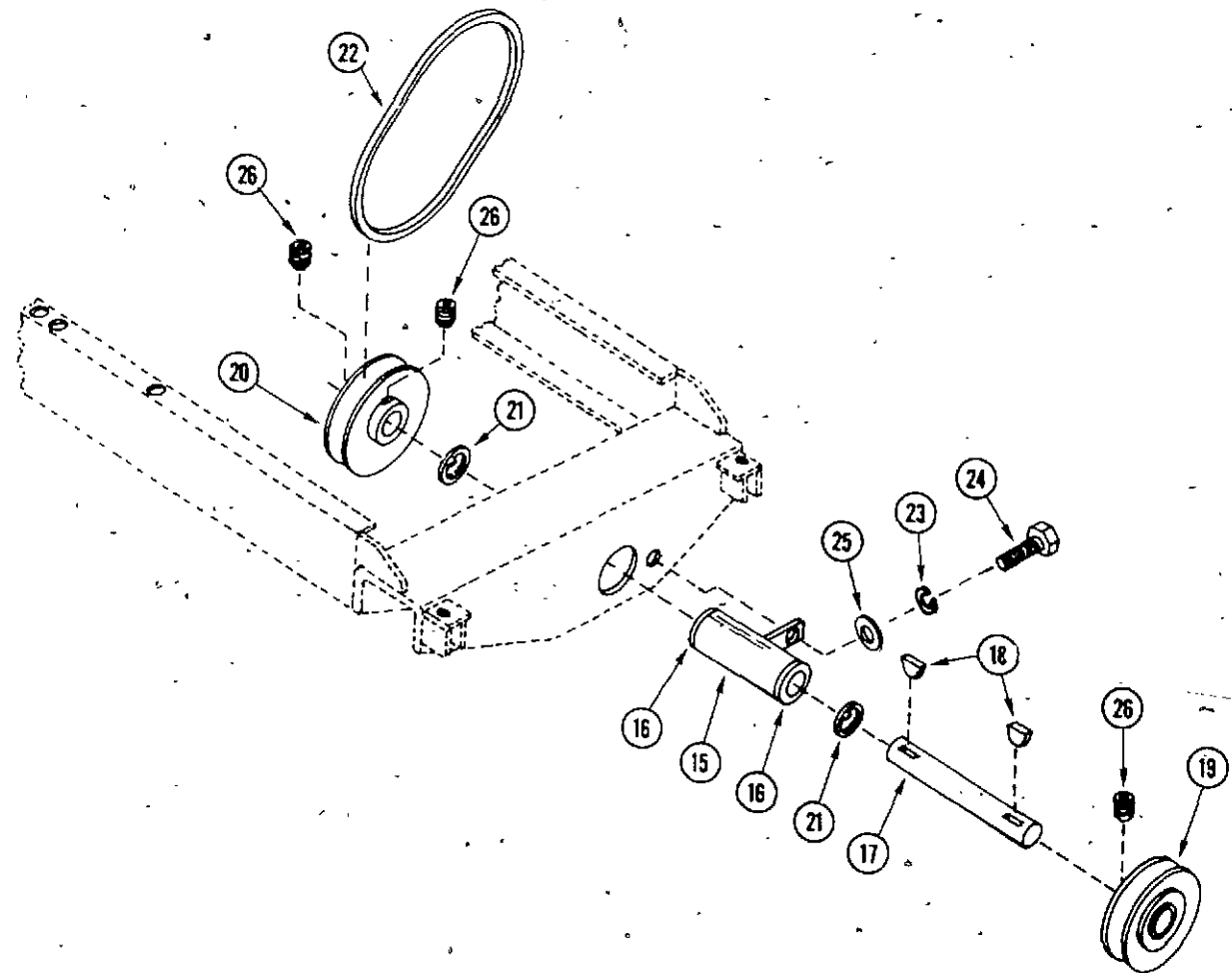
PULLEY CLUTCH



REF. PART NO.	DESCRIPTION	REQ'D.
1 C 10880	LEVER - clutch control	1
2 C 10525	LINK - clutch control	2
3 C 10487	KNOB - lever	1
4 132- 24	PIN - cotter, 3/32" x 1/2"	2
5 C 10883	PIN - safety	1
6 141- 2	PIN - clevis, 1/4" x 3/4"	1
7 15- 512	BOLT - 5/16"-18 N.C. x 3/4"	1
8 92- 5	LOCKWASHER - 5/16" SAE	1
9 25- 105	NUT - 5/16"-18 N.C.	1
10 195- 17	WASHER - 1/4" plain	3
11 C 10311	CLUTCH - PTO "V" belt	1
12 C 10312	SPACER - fan short	1

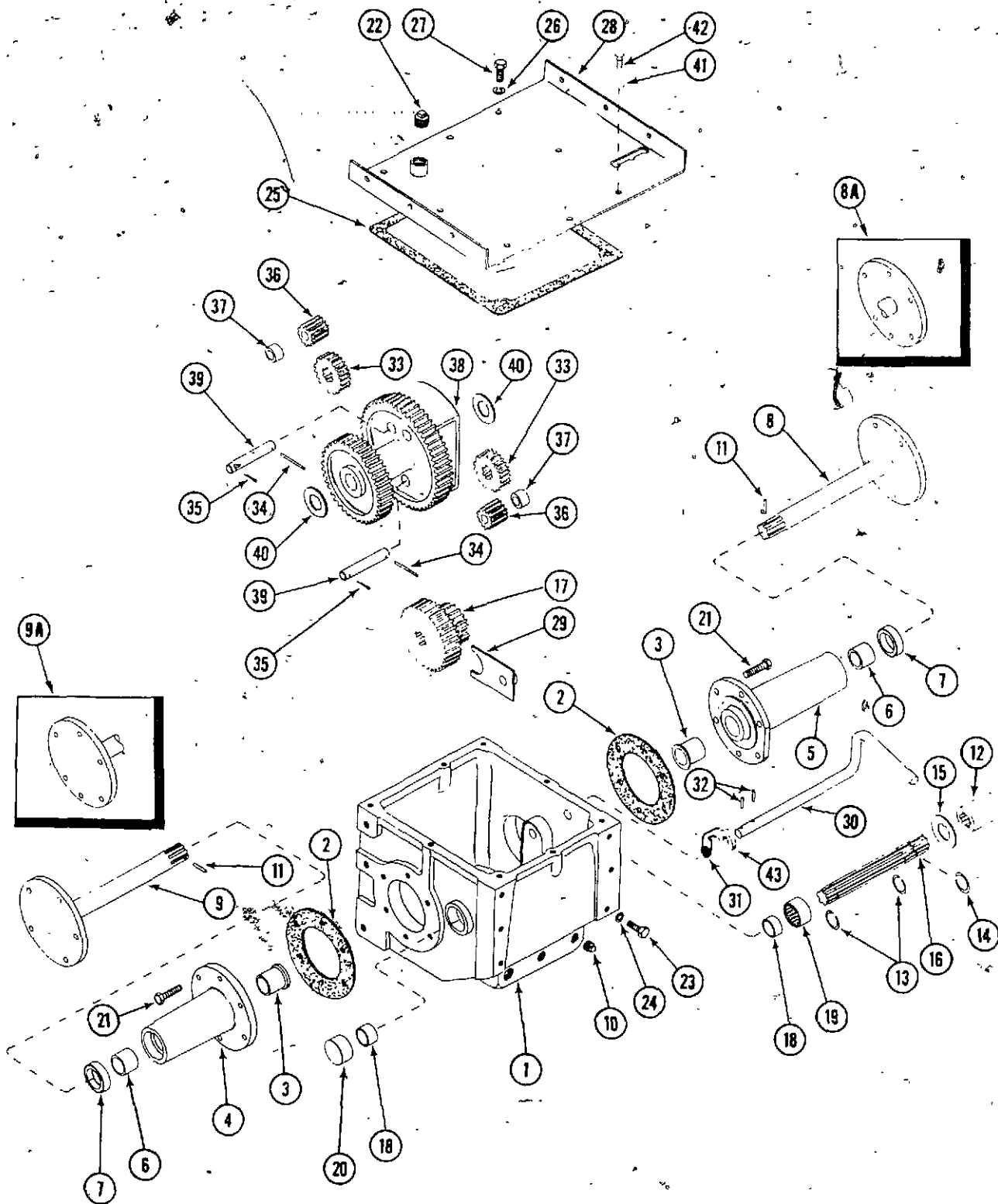
FRONT P. T. O. (OPTIONAL)

15 C 10500	CARRIER - pivot and bearing	1
16 C 10502	BEARING - sintered bronze	2
17 C 10503	SHAFT - PTO pulley	1
18 128- 22	KEY - Woodruff #13 SAE	2
19 C 10504	PULLEY - drive	1
20 C 10505	PULLEY - driven adjustable	1
21 C 10506	WASHER - thrust	2
22 C 10507	BELT - 3 V section 30"	1
23 192- 21	LOCKWASHER - 3/8" SAE	1
24 113- 205	BOLT - 3/8"-16 x 5/8" hex head	1
25 195- 522	WASHER - 3/8" SAE plain	2
26 83- 56	SETSCREW - 5/16" x 3/8" socket head	3



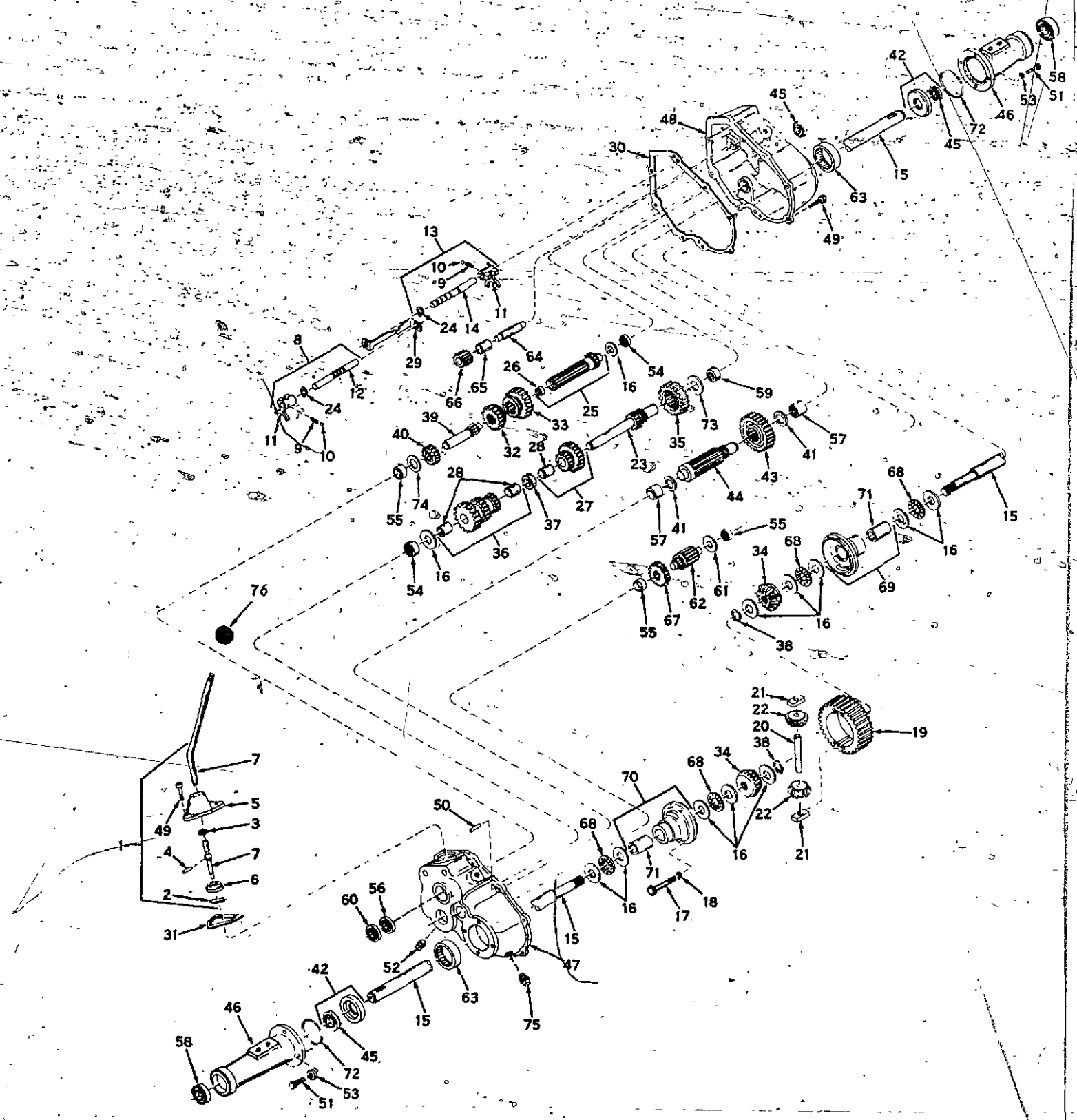
TRANSMISSION AND FINAL DRIVE

REF. PART NO.	DESCRIPTION	REQ'D
1 C 10201	CASE - transmission	1
2 A 70137	GASKET - housing to case	2
3 A 70142	BUSHING - flanged, rear axle housing	2
4 C 10294	HOUSING - rear axle, right hand	1
5 C 10295	HOUSING - rear axle, left hand	1
6 A 70141	BUSHING - plain, rear-axle housing	2
7 A 70143	SEAL - rear axle housing	2
8 C 10287	SHAFT - axle, left hand (2310)	1
8A C 10289	SHAFT - axle, left hand (2510 & 2712)	1
9 C 10286	SHAFT - axle, right hand (2310)	1
9A C 10288	SHAFT - axle, right hand (2510 & 2712)	1
10 221- 4	PLUG - pipe, 1/2" square head	1
11 138- 102	PIN - axle retaining	2
12 C 10259	COUPLING - motor input	1
13 C 10882	RING - wire retaining	2
14 C 10291	WASHER - input shaft stop	1
15 B 18208	RING - coupling, retaining	1
16 C 10293	SHAFT, transmission input	1
17 C 10242	CLUSTER - input gear	1
18 C 10299	RING - bearing inner	2
19 C 10300	BEARING - input shaft, middle	1
20 C 10301	BEARING - input shaft, end	1
21 A 70127	BOLT - 3/8" x 1-1/4" N.C., special sealing	12
22 C 10303	PLUG - breather, transmission	1
23 13- 820	BOLT - 1/2" x 1-1/4", case to frame	6
24 92- 8	LOCKWASHER, 1/2" SAE	6
25 C 10302	GASKET - transmission case cover	1
26 92- 5	LOCKWASHER - 5/16" SAE	7
27 13- 512	BOLT - 5/16" x 3/4" N.C., trans. cover	7
28 C 10296	COVER - transmission case	1
29 C 10255	FORK - gear shift	1
30 C 10254	LEVER - shift	1
31 C 10261	SPRING - shift lever	1
32 138- 2002	PIN - shift fork, locating	2
33 C 10253	GEAR - differential	2
34 C 10465	PIN - differential pin, locking	2
35 132- 91	PIN - cotter, 3/16" x 1"	4
36 C 10252	PINION - differential	4
37 A 70131	SPACER - differential pinion	4
38 C 10243	HOUSING - differential gear	1
39 C 10298	RIN - differential pinion	4
40 C 10292	WASHER - transmission	2
41 95- 5	WASHER - 5/16" SAE, plain	3
42 13- 510	BOLT - 5/16" x 5/8" trans. cover	1
43 C 11382	SEAL - shift shaft oil	1

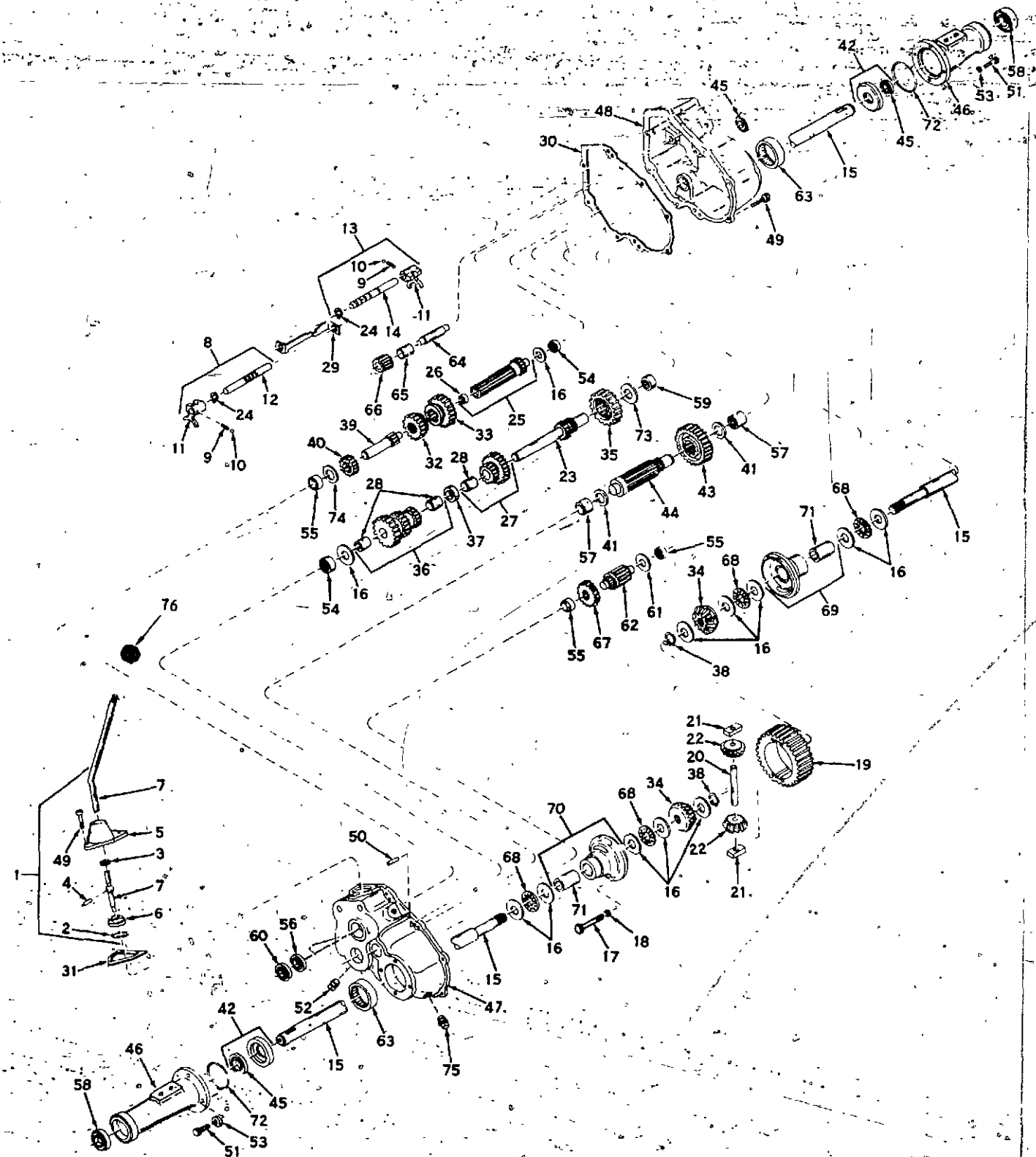


TRANSMISSION

REF. PART NO.	DESCRIPTION	REQ'D
C 10486	TRANSMISSION - Peerless - #2310A	1
1 C 11161	LEVER & HOUSING ASSY - shift (Incl. Nos. 2 thru 7)	1
2 C 11219	RING - snap	1
3 35012	RING - quad	1
4 C 11220	PIN - roll	1
5 C 11167	HOUSING - shift lever	1
6 C 11163	KEEPER - shift lever	1
7 C 11164	LEVER - shift	1
8 C 11165	ROD ASSY - shift (Incl. Nos. 9 thru 12 and 24)	1
9 C 11166	SPRING	2
10 211- 5	BALL - steel	2
11 C 11167	FORK - shifter	2
12 C 11168	ROD - shifter	1
13 C 11169	ROD ASSY - shift (Incl. Nos. 9, 10, 11, 14 and 24)	1
14 C 11170	ROD - shifter	1
15 C 11171	AXLE	1
16 C 11178	WASHER - thrust	12
17 13- 440	SCREW - cap, hex head, 1/4"-20 x 2-1/2"	4
18 92- 4	LOCKWASHER - 1/4"	4
19 C 11172	GEAR - ring	1
20 C 11173	PIN - drive	1
21 C 11174	BLOCK - drive	2
22 C 11175	PINION - bevel	2
23 C 11176	SHAFT & GEAR - brake	1
24 A 11538	RING - snap	2
25 C 11177	SHAFT & BEARING ASSY - pinion (Incl. No. 26)	1
26 A 27287	BEARING	1
27 C 11179	GEAR CLUSTER ASSY - (Incl. No. 28)	1
28 C 11180	BUSHING	3
29 C 11181	STOP - shifter	1
30 C 11182	GASKET - case and cover	1
31 C 11183	GASKET - shift lever housing	1
32 C 11184	GEAR - shifting (3rd and 4th)	1
33 C 11185	GEAR - shifting (1st, 2nd and reverse)	1
34 C 11186	GEAR - bevel	2
35 C 11187	GEAR - idler	1
36 C 11188	GEAR CLUSTER ASSY - (Incl. No. 28)	1
37 C 11189	SPACER	1
38 C 11222	RING - snap	2
39 C 11190	SHAFT - input	1
40 C 11191	SPUR GEAR - input shaft	1

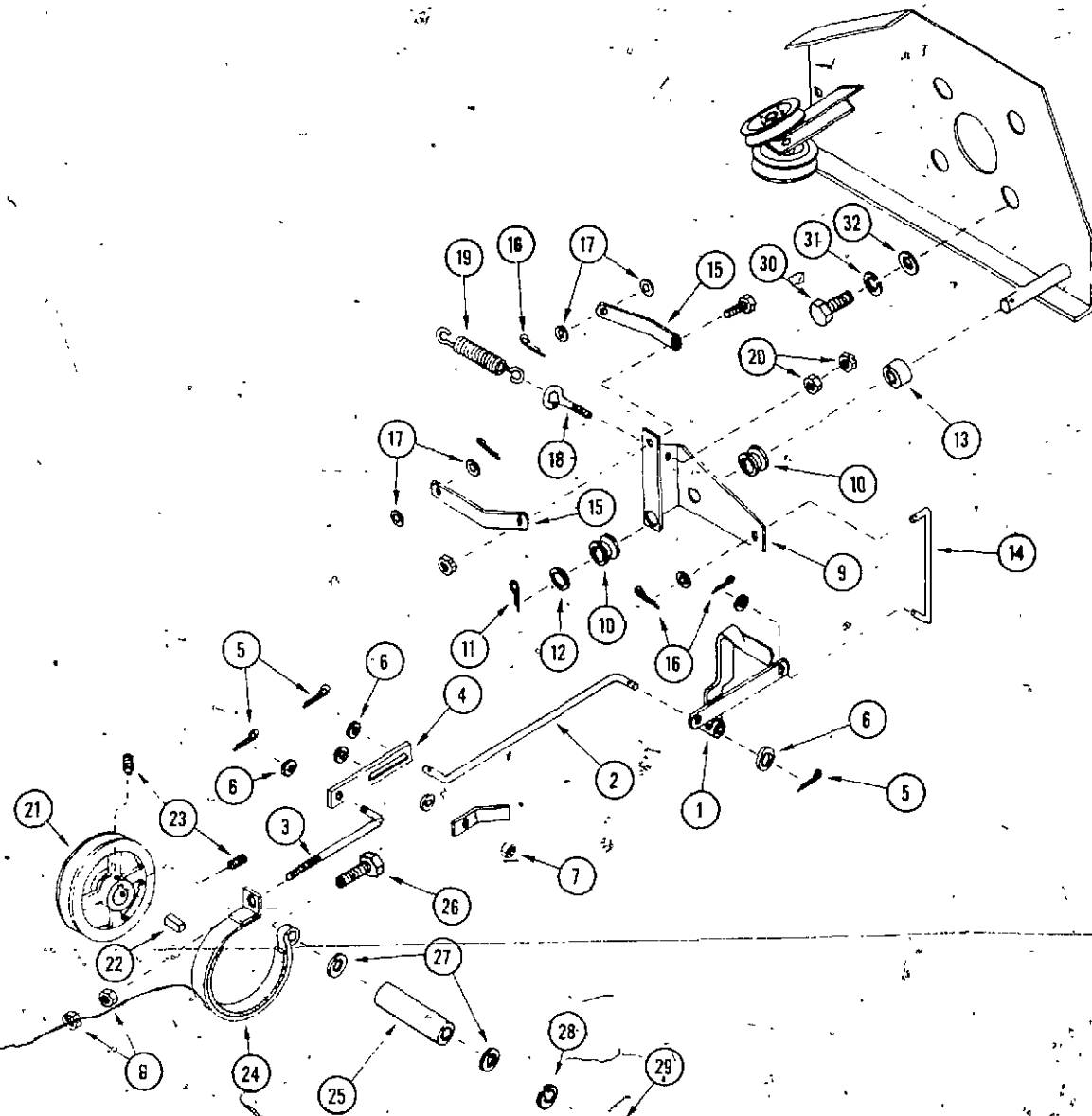


TRANSMISSION



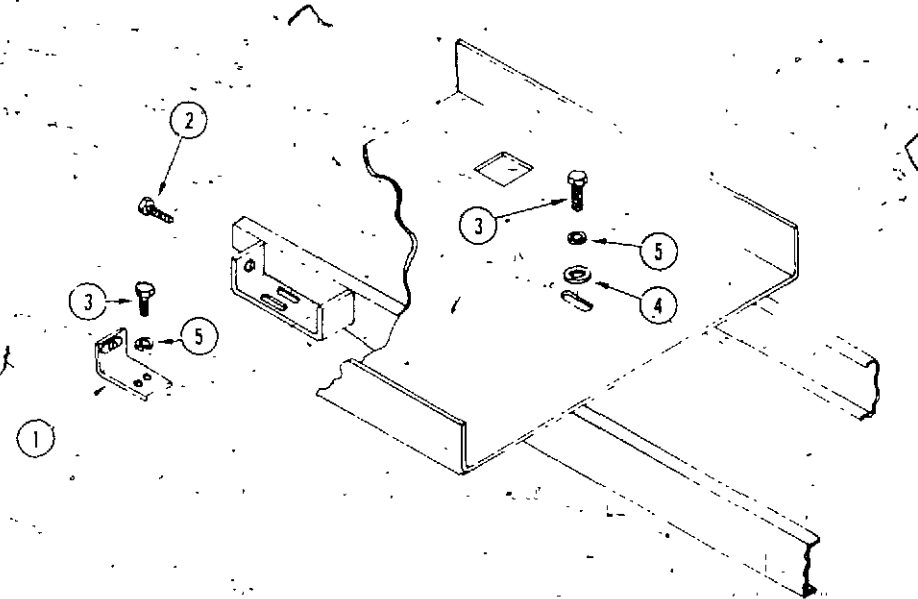
REF. PART NO.	DESCRIPTION	REQ'D
41 C 11201	WASHER - thrust	2
42 C 11192	SEAL & RETAINER ASSY - oil (Incl. No. 45)	2
43 G 11193	GEAR - output	1
44 C 11194	PINION - output	1
43 C 11195	SEAL - oil	3
46 C 11196	HOUSING - axle	2
47 C 11197	CASE ASSY - Transaxle (Incl. Nos. 54, 55, 57 and 63) left hand	1
48 C 11218	COVER ASSY - Transaxle (Incl. Nos. 54, 55, 57, 59 and 63)	1
49 83- 412	SCREW - socket head cap, 1/4"-20 x 3/4"	9
50 F 53650	PIN - dowel	4
51 83- 514	SCREW - cap hex head, 5/16"-18 x 7/8"	8
52 221- 672	PLUG - magnetic drain	1
53 92- 5	LOCKWASHER - split 5/16"	8
54 C 11200	BEARING - needle	2
55 A 27999	BEARING - needle	3
56 C 11202	BEARING - ball	1
57 C 11203	BEARING - needle	2
58 C 11204	BEARING - ball	2
59 A 12652	BEARING - needle	1
60 C 11206	SEAL - oil	1
61 C 10205	WASHER	1
62 C 11207	SHAFT & PINION	1
63 R 21491	BEARING - needle	2
64 C 11209	SHAFT - reverse idler	1
65 C 11210	SPACER - reverse idler	1
66 C 11211	IDLER - reverse	1
67 C 11212	SPUR GEAR - (22 teeth)	1
68 C 11213	BEARING - thrust	4
69 C 11214	CARRIER ASSY - differential (Incl. No. 71)	1
70 C 11215	CARRIER ASSY - differential (Incl. No. 71)	1
71 C 11216	BUSHING	2
72 C 11208	"O" RING	2
73 C 11223	WASHER - thrust	1
74 C 10822	WASHER - thrust	1
75 C 11224	PLUG - pipe	1
76 C 10487	KNOB - gear shift	1

CLUTCH AND BRAKE CONTROLS



REF. PART NO.	DESCRIPTION	REQ'D
1 C 10310	PEDAL - foot brake and clutch	1
2 C 10774	LINK - brake, front	1
3 C 10775	LINK - brake, rear	1
4 C 10773	LINK - brake, lock	1
5 132- 24	PIN - cotter, 3/32" x 1-2"	3
6 195- 103	WASHER - flat, 5/16"	5
7 C 10776	NUT - brake, lock	1
8 129- 101	NUT - hex, brake adjusting	2
9 C 10794	BELLCRANK - clutch control	1
10 C 10571	NYLINER - 1/2" I.D. x 9/16" O.D.	2
11 132- 46	PIN - cotter, 1/8" x 3/4"	1
12 92- 6	WASHER - flat, 9/16"	1
13 C 10750	SPACER - bellcrank	1
14 C 10518	LINK - clutch pedal	1
15 C 10519	LINK - clutch	2
16 126- 24	PIN - cotter, 3/32" x 1 2"	4
17 192- 19	WASHER - flat, 1 4"	4
18 C 10792	EYEBOLT	1
19 A 70418	SPRING - clutch	1
20 129- 101	NUT - 1/4"-20, hex plated	2
21 C 10307	DRUM - brake	1
22 126- 16	KEY - Woodruff #9	1
23 83- 46	SCREW - set, 1 4"-20 x 3/8" cup.pt.	2
24 C 11284	BAND - brake	1
25 C 10741	BUSHING - brake band support	1
26 13- 640	BOLT - 3/8"-16 N.C. x 2-1/2", hex head	1
27 95- 6	WASHER - flat, 3/8"	2
28 92- 6	LOCKWASHER - 3/8"	1
29 25- 106	NUT - 3/8"-16, hex	1
30 13- 612	BOLT - 3/8" x 3/4"	4
31 92- 6	LOCKWASHER - 3/8"	4
32 95- 6	WASHER - flat, 3/8"	4

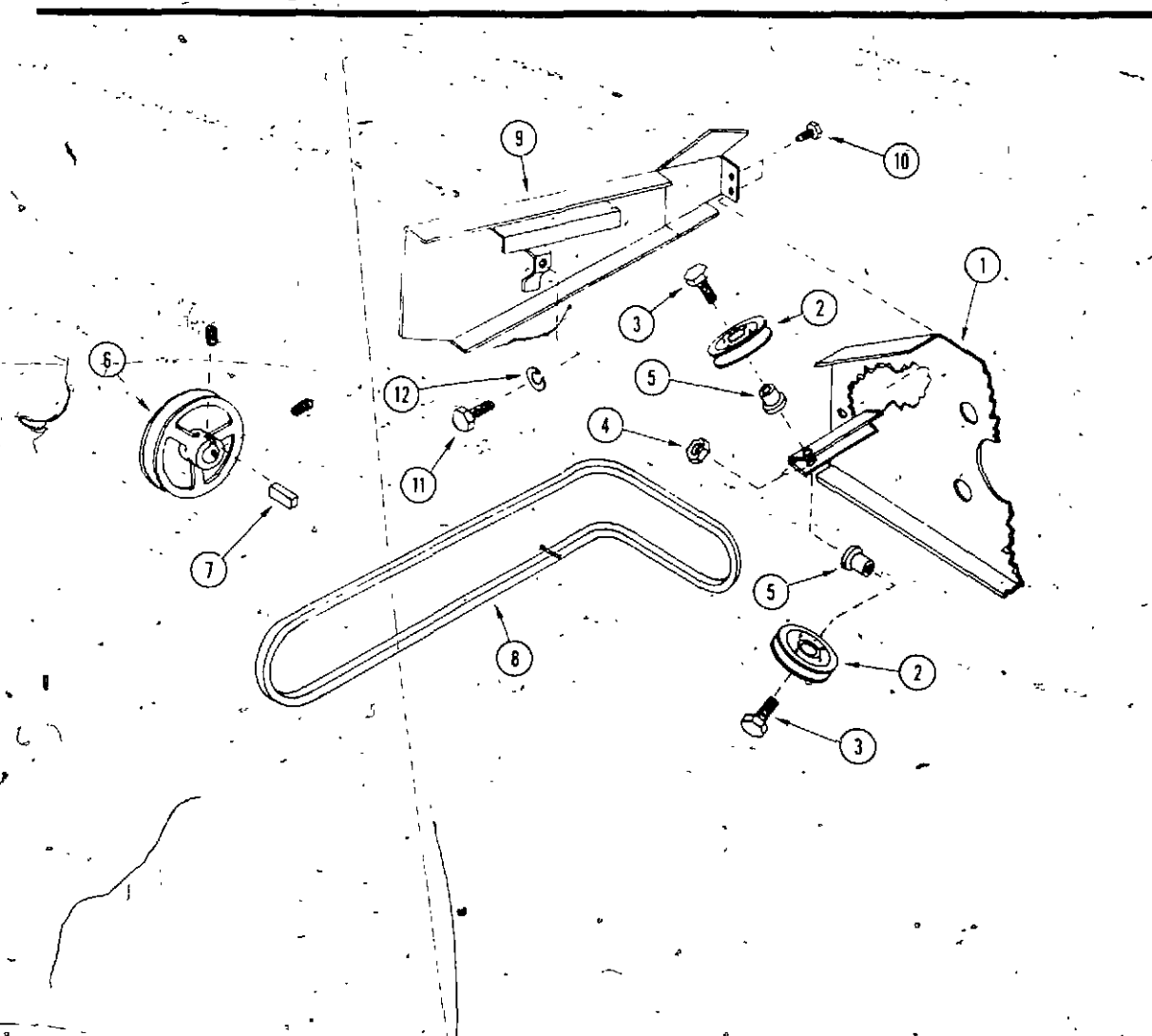
ENGINE TO TRANSMISSION BELT ADJUSTMENT



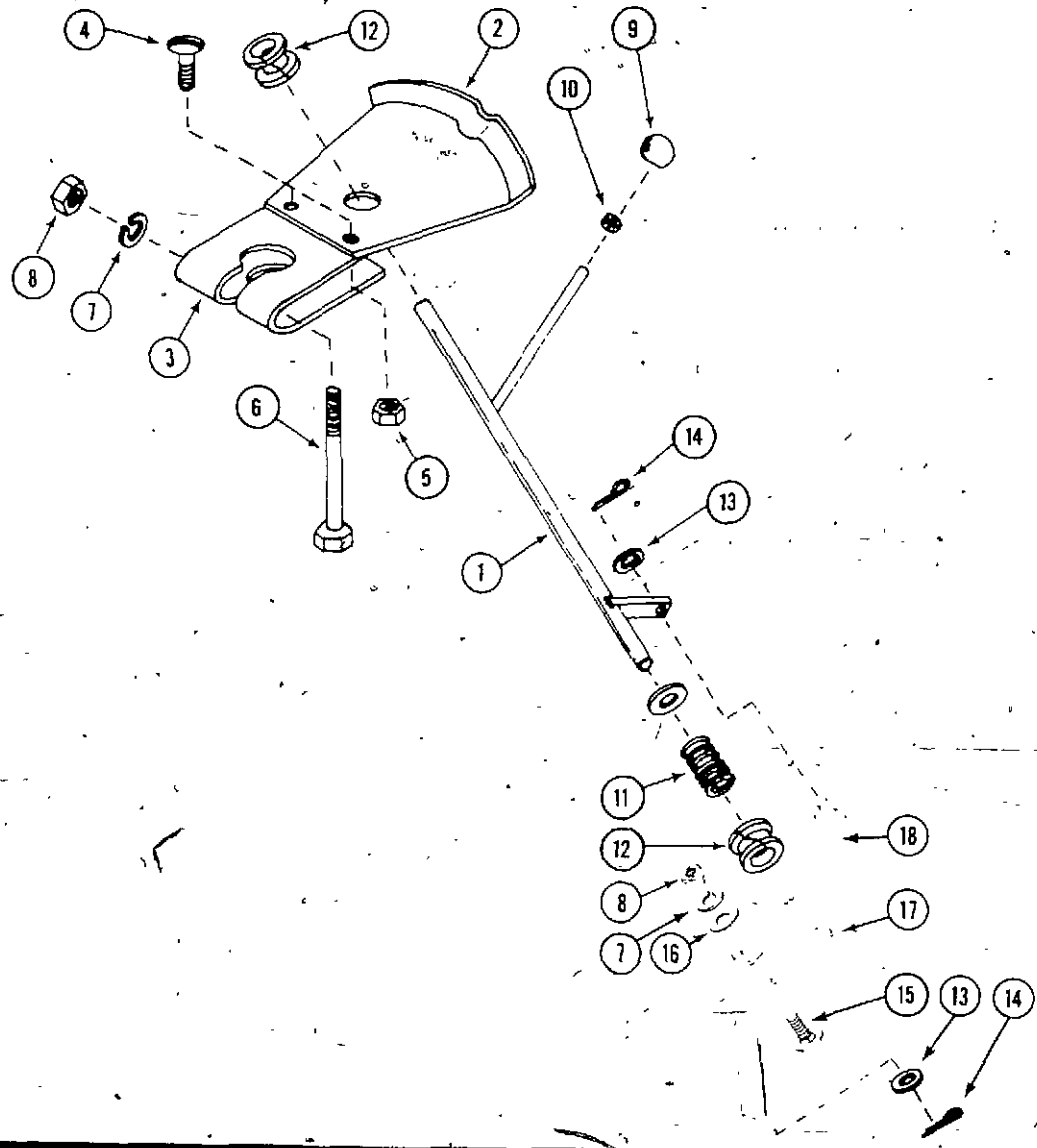
REF. PART NO.	DESCRIPTION	REQ'D
1 C 10718	BRACKET - belt adjusting	2
2 113- 250	BOLT - 3/8"-16 x 2-1/2", belt adjusting	2
3 13- 618	BOLT - 3/8"-16 x 1-1/8"	5
4 95- 6	WASHER - flat, 3/8"	1
5 92- 6	LOCKWASHER - 3/8"	5

TRANSMISSION BELT DRIVE

1 C 10409	BRACKET - idler	1
2 C 10463	SHEAVE - idler, 4" OD.	2
3 13- 820	BOLT - 1/2" x 1-1/4", idler mounting	2
4 131- 354	NUT - 1/2", hex, idler mounting	2
5 C 10551	BUSHING - idler, sheave	2
6 C 10425	SHEAVE - 6" (on C11190 transmission shaft)	1
7 126- 16	KEY - Woodruff #9	1
8 C 10716	BELT - 77-5/8"	1
9 C 10498	GUARD - belt	1
10 187- 1014	SCREW - 1/4" x 1/2" self-tapping	2
11 13- 612	BOLT - 3/8"-16 x 3/4", hex head	1
12 92- 6	LOCKWASHER - 3/8"	1



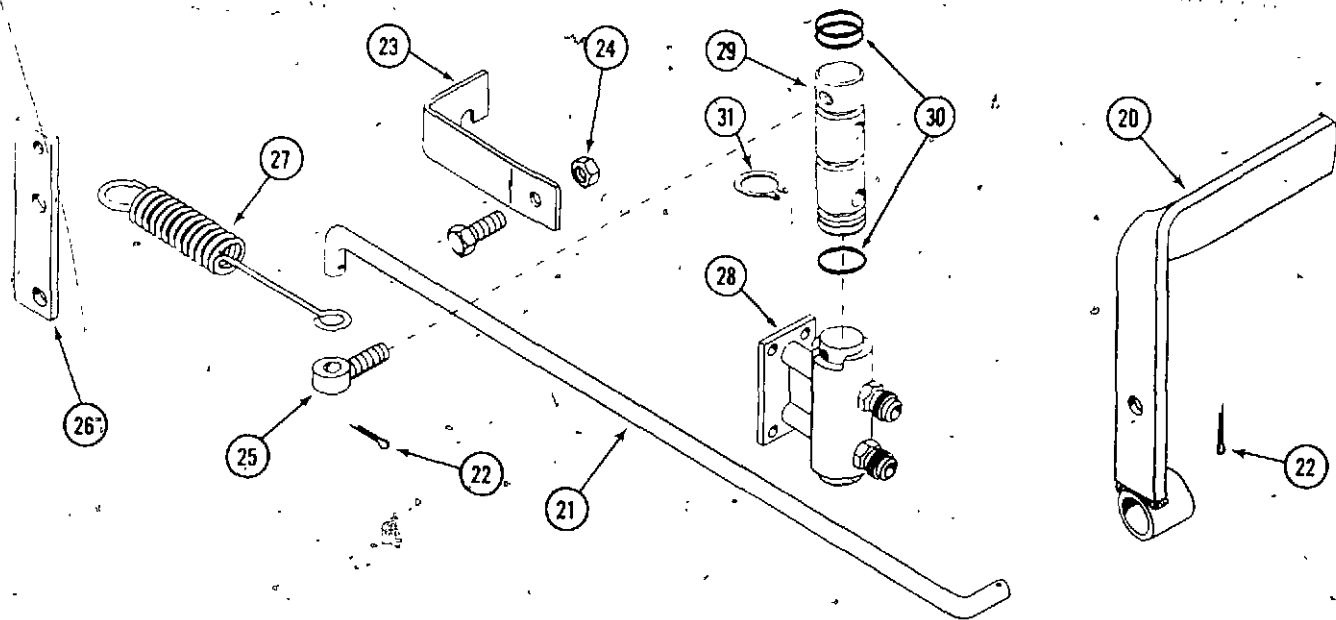
SPEED CONTROL



REF. PART NO.	DESCRIPTION	REQ'D
1 C 10755	CONTROL - lever	1
2 C 11231	QUADRANT - speed control	1
3 C 11230	CLAMP - quadrant	1
4 173- 201	SCREW, - 1/4"-20 x 1/2", plated	2
5 131- 350	NUT - 1/4"-20 N.C., self-locking	2
6 15- 528	BOLT - 5/16"-18 x 2-3/4" hex	1
7 92- 5	LOCKWASHER - 5/16" SAE	3
8 25- 105	NUT - 5-1/6"-18 N.C., hex	3
9 C 10562	KNOB - speed control lever	1
10 C 10565	RING - star	1
11 C 10538	SPRING - compression	1
12 C 10571	NYLINER - 1/2" I.D. x 9/16" O.D.	2
13 95- 4	WASHER - 1/4" SAE, plain	2
14 132- 24	PIN - cotter, 3/32" x 1/2"	2
15 12- 516	BOLT - rd. hd, square neck, 5/16"-18 x 1"	2
16 95- 5	WASHER - 5/16" plain	1
17 C 11586*	LINK - weldment	1
18 C 11588*	LINK - speed control	1

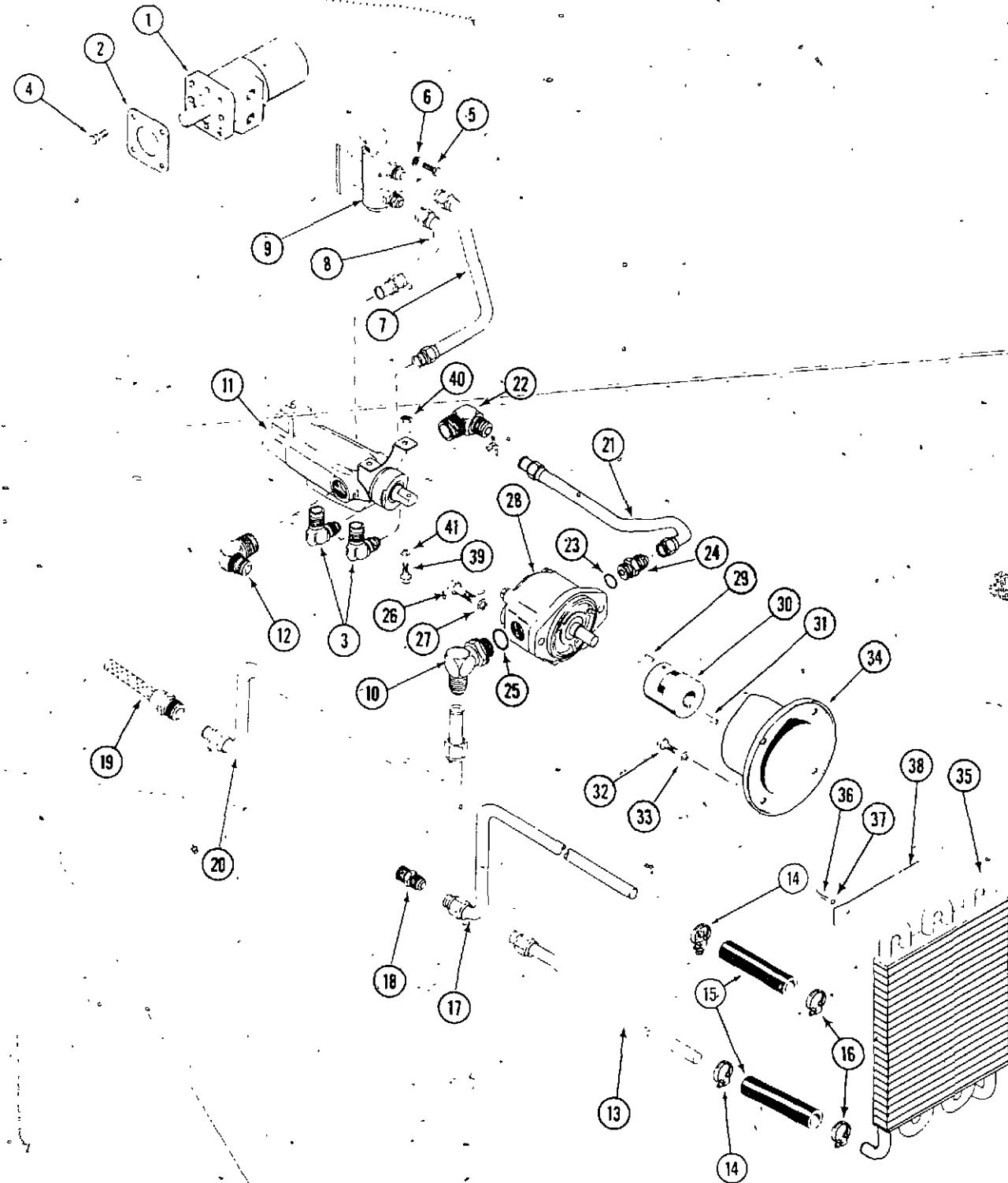
*The two piece control length, as illustrated, replaces all previous types.

BRAKE



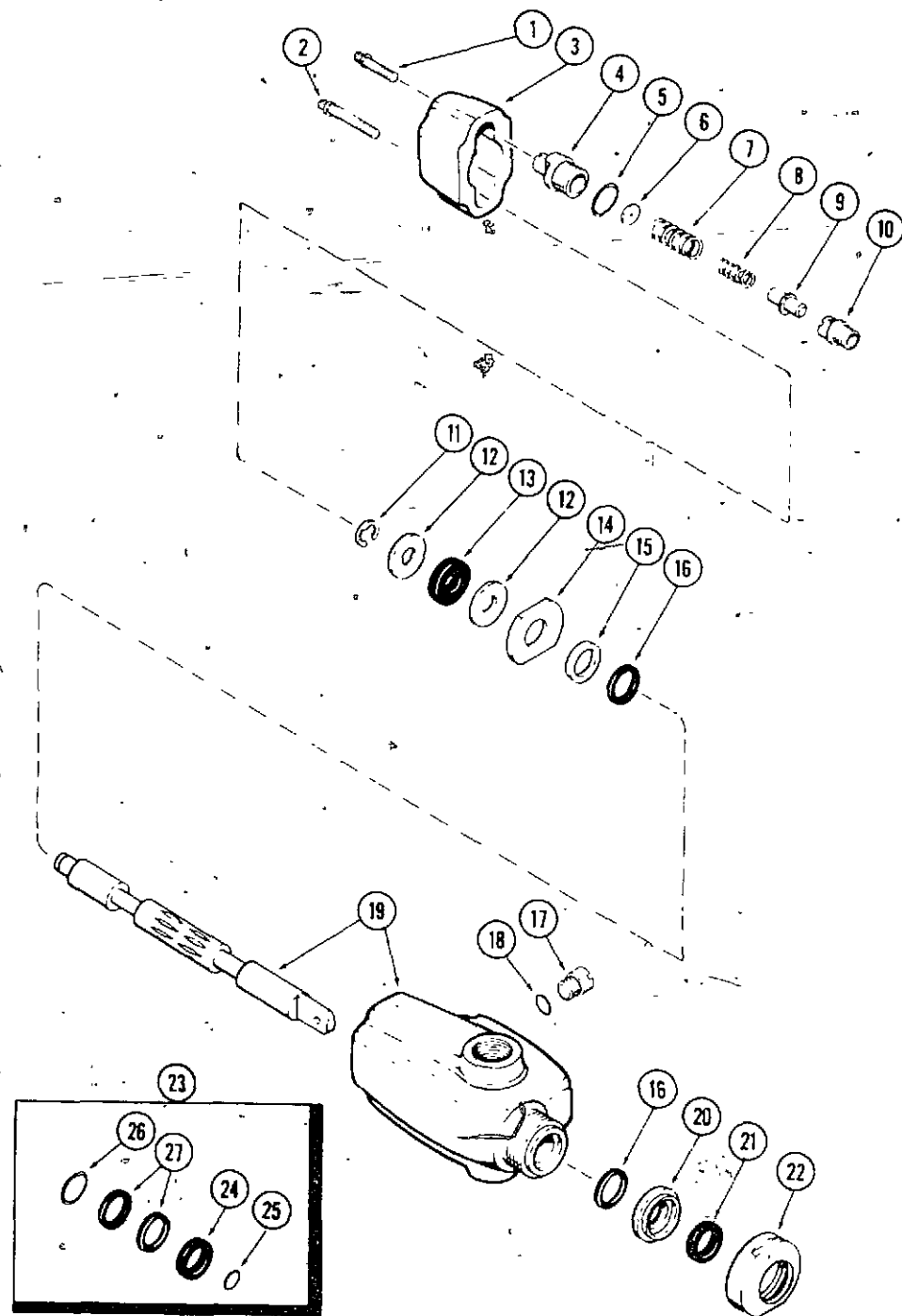
20 C 10309	PEDAL - brake	1
21 C 10991	ROD - brake-lock	1
22 132- 26	PIN - cotter, 3/32" x 3/4"	2
23 C 10770	LEVER - brake lock	1
24 131- 352	NUT - 3/8"-16, self-locking	1
25 C 10467	ROD-EYE	1
26 C 11531	ANCHOR, spring	1
27 C 11523	SPRING, extension	1
28 C 10528	VALVE - park and brake	1
29 NSS	* SPOOL	1
30 F 62075	"O" RING	3
31 B 18208	SNAP RING	1

HYDRAULIC SYSTEM



REF.	PART NO.	DESCRIPTION	REQ'D
1	C 10415	MOTOR - hydraulic (2510)	1
1	C 10270	MOTOR - hydraulic (2310)	1
1	C 10271	MOTOR - hydraulic (2712)	1
2	A 70128	GASKET - motor to transfer case	1
3	218- 493	FITTING, 90°, 1/2" tube x 1/2" NPT	2
4	A 70127	BOLT - special, Jay-Lock	4
5	166- 23	BOLT - 5/16"-18 x 5/8" N.C.	4
6	193- 29	LOCKWASHER - 5/16" internal tooth	4
7	C 10268	TUBE - frt. valve port to motor	1
8	C 10269	TUBE - rear valve port to motor	1
9	C 10528	VALVE - park and brake (Repairs Page 33)	1
10	218- 5108	FITTING - 90°, 3/4" tube x 1-1/16 thread	1
11	C 10495	VALVE - control (Repairs Page 37)	1
12	218- 494	FITTING - 90°, 5/8" tube x 3/4" NPT	1
13	C 10266	TUBE - heat exchanger to valve	1
14	C 10418	CLAMP - hose (tube end)	2
15	C 10419	HOSE	2
16	C 10677	CLAMP - hose (heat exchanger end)	2
17	C 10267	TUBE - trans. to heat exchanger	1
18	218- 445	FITTING - 3/4" tube x 3/4" NPT	1
19	A 70117	FITTING - w/filter	1
20	C 10575	TUBE - pump to transmission	1
21	C 10576	TUBE - pump to valve	1
22	218- 1056	FITTING - 90° elbow, 1/2" tube x 3/4" thread	1
23	218- 5006	"O" RING - 1/2"	1
24	218- 5059	FITTING - "O" ring 1/2" tube x 3/4" thread	1
25	218- 5008	"O" RING - 3/4"	1
26	166- 561	SCREW - ferris cap, 7/16"-20 x 1"	2
27	193- 31	LOCKWASHER - 7/16" external tooth	2
28	C 10493	PUMP - hydraulic (Repairs Page 39) (2712)	1
28	C 10258	PUMP - hydraulic (Repairs Page 39) (2310 & 2510)	1
29	126- 12	KEY - Woodruff	1
30	A 70111	COUPLING - (Repairs Page 39)	1
31	W 5063-S	KEY - 1/4" square x 3/4"	1
32	113- 207	BOLT - 3/8" x 1" N.C. hex plated	4
33	192- 21	WASHER - 3/8" plated	4
34	C 10559	SUPPORT - hydraulic pump mounting	1
35	C 10262	EXCHANGER - heat	1
36	171- 209	SCREW - 1/4" x 1" N.C. hex plated	4
37	193- 52	LOCKWASHER - 1/4" external tooth	4
38	C 10348	BRACKET, heat exchanger	2
39	73- 410	SCREW - 1/4"-20 x 5/8" N.C. flat head	2
40	25- 104	NUT - 1/4"-20 N.C.	2
41	92- 4	LOCKWASHER - 1/4" SAE	2

HYDRAULIC CONTROL VALVE



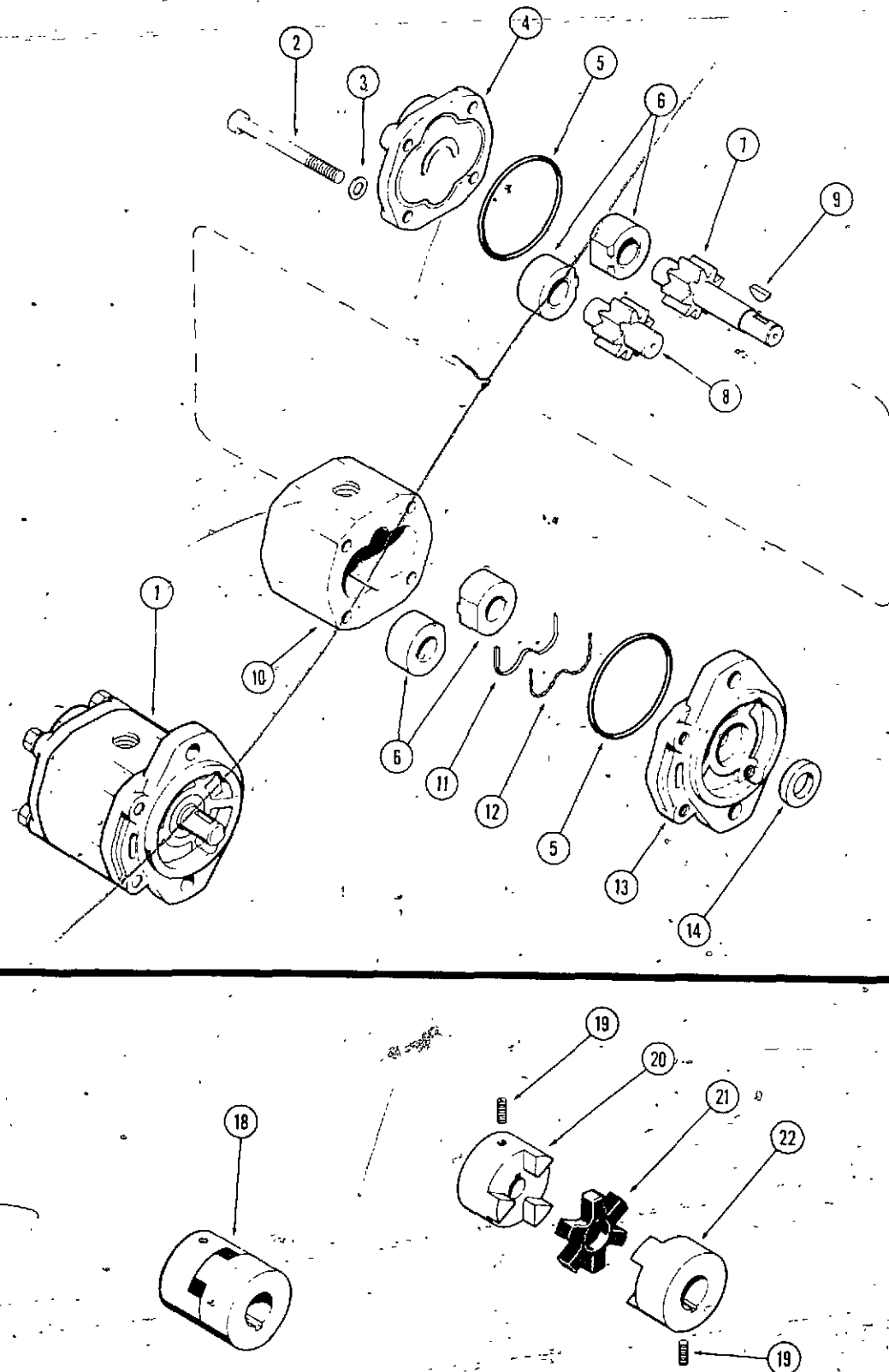
REF.	PART NO.	DESCRIPTION	REQ'D
1	166- 6	CAPSCREW - 1/4" x 1" N.C. ferry hd.	1
2	166- 8	CAPSCREW - 1/4" x 1-1/2" N. C. ferry hd.	1
3	A 72065	CAP - valve end	1
4	A 72059	PLUG - relief valve	1
5	A 7982	"O" RING - relief valve plug	1
6	A 72069	SHIM - relief valve	2
7	A 72058	SPRING - relief valve (outer)	1
8	A 72071	SPRING - valve relief (inner)	1
9	A 72057	SPOOL - relief valve poppet	1
10	A 72055	SEAT - relief valve	1
11	O 9638 AB	SNAP RING - valve	1
12	A 72060	WASHER - valve spool end spacer	2
13	A 72063	SPACER - valve spool end	1
14	A 72066	WASHER - retainer relief valve plug	1
15	A 72067	RING - back up	1
16	A 72062	SEAL - quad ring	2
17	A 72056	PLUG	1
18	A 72061	"O" RING - plug	1
19	A 72052	BODY AND SPOOL ASSY	1
20	A 72068	RETAINER - seal	1
21	A 72070	SEAL - vee	1
22	A 72064	CAP - valve end	1
23	A 72072	KIT - valve seal repair	1
24	A 72070	SEAL - vee	1
25	A 72061	"O" RING - 5/8"	1
26	A 7982	"O" RING - 13/16"	1
27	A 72062	QUAD RING	2

HYDRAULIC PUMP

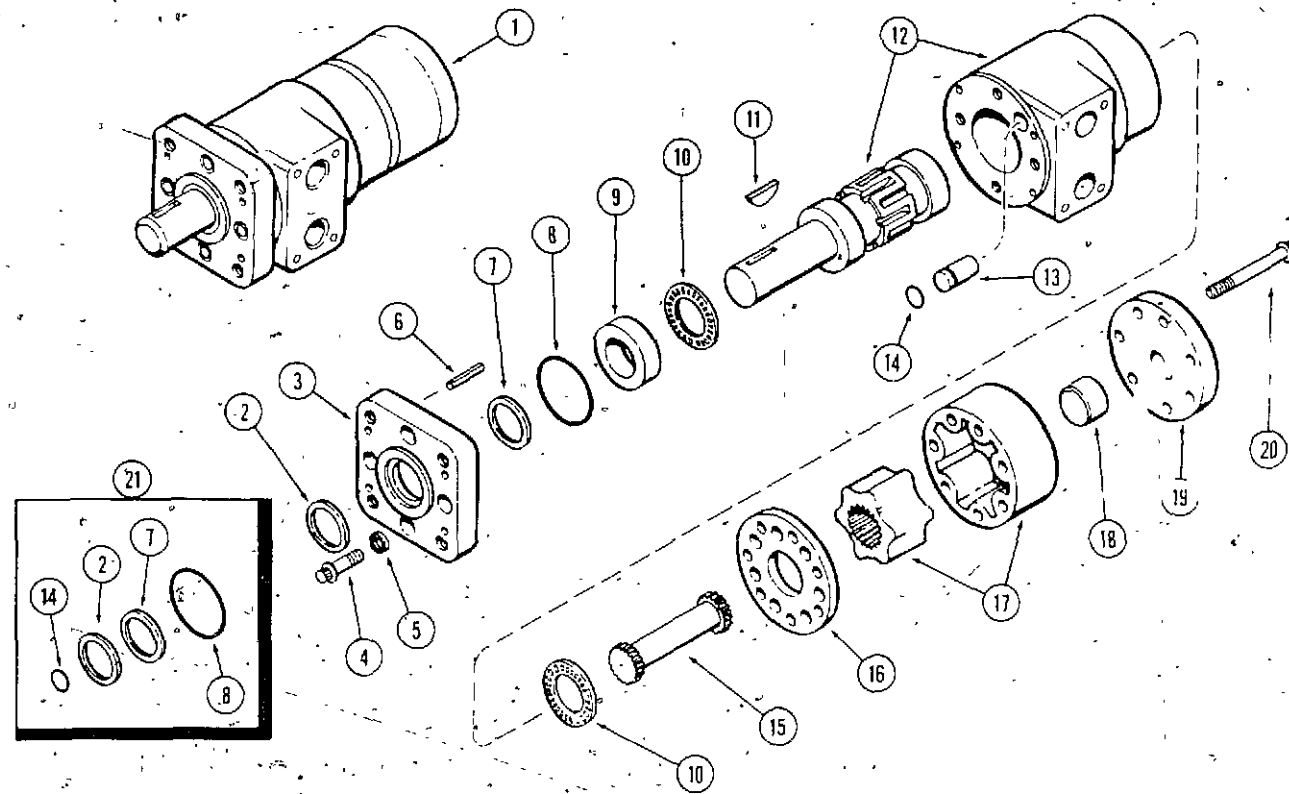
REF. PART NO.	DESCRIPTION	REQ'D
1 C 10493	PUMP - hydraulic (2712)	1
1 C 10258	PUMP - hydraulic (2310 & 2510)	1
2 13- 652	BOLT - 3/8" x 3-1/4" N.C. hex head	4
3 A 72000	WASHER - special	4
4 C 11644	COVER - rear, pump body	1
5 A 72003	SEAL - pump cover	2
6 A 35956	BEARING - pump gear	4
7 C 11642	GEAR - pump drive (For C10258 pump on Model 2310 & 2510)	1
7 A 72005	GEAR - pump drive (For C10493 pump on Model 2712)	1
8 C 11643	GEAR - pump driven (For C10258 pump on Model 2310 & 2510)	1
8 A 72004	GEAR - pump driven (For C10493 pump on Model 2712)	1
9 126- 12	KEY - Woodruff #6	1
10 NSS	BODY - pump (Order C10258 or C10493)	1
11 A 72001	GASKET - brass, front cover	1
12 A 72002	SPACER - gasket, front cover	1
13 A 72007	COVER - front pump body	1
14 A 613827	SEAL - pump shaft	1

PUMP DRIVE COUPLING

18 A 70111	COUPLING - pump drive	1
19 83- 55	SCREW - 5/16" x 5/16" N.C. socket head set	2
20 NSS	HUB - half, 5/8" dia. bore (Order A70111)	1
21 A 70112	SPIDER - coupling	1
22 NSS	HUB - half, 1" dia. bore (Order A70111)	1

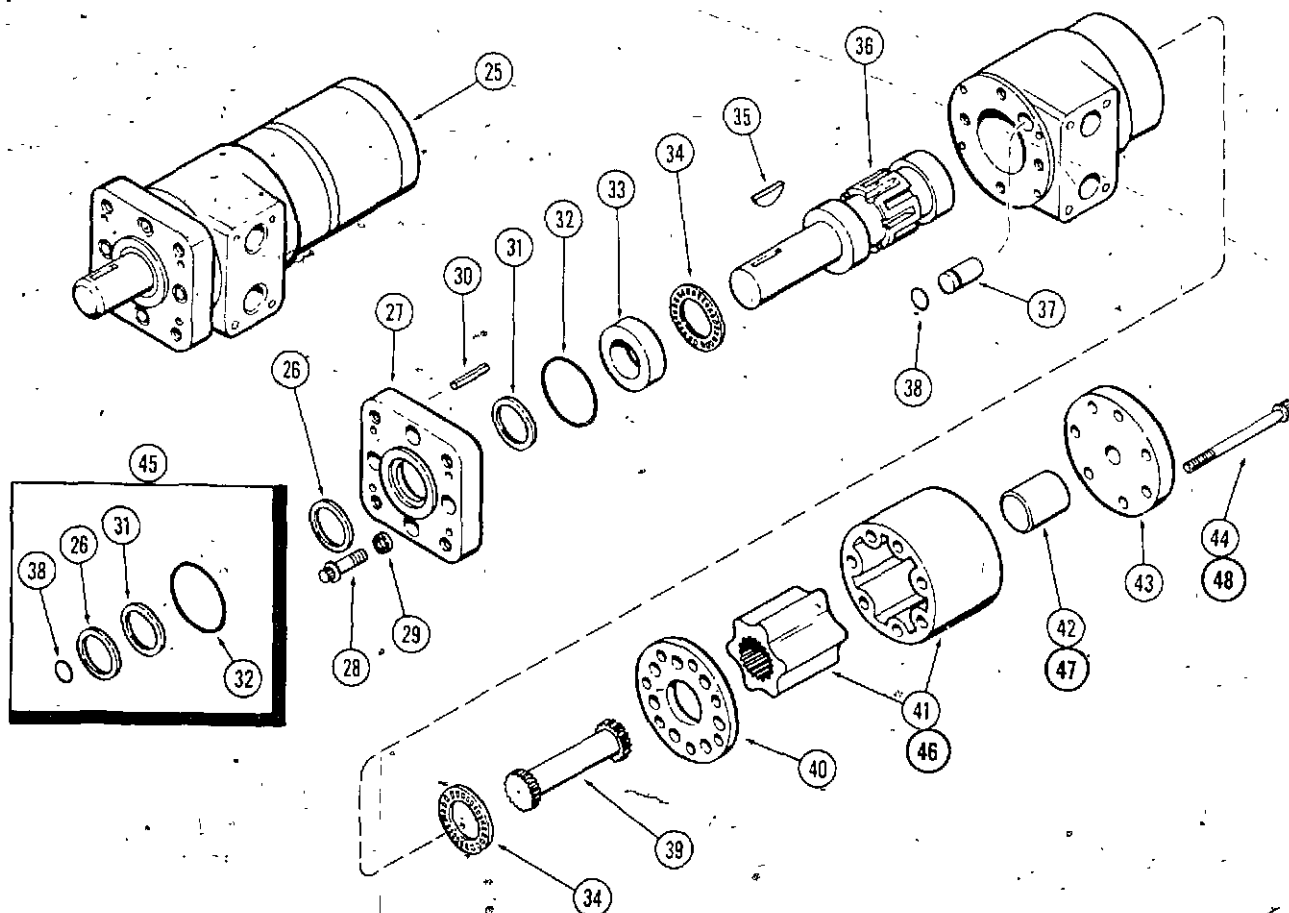


2310 HYDRAULIC DRIVE MOTOR



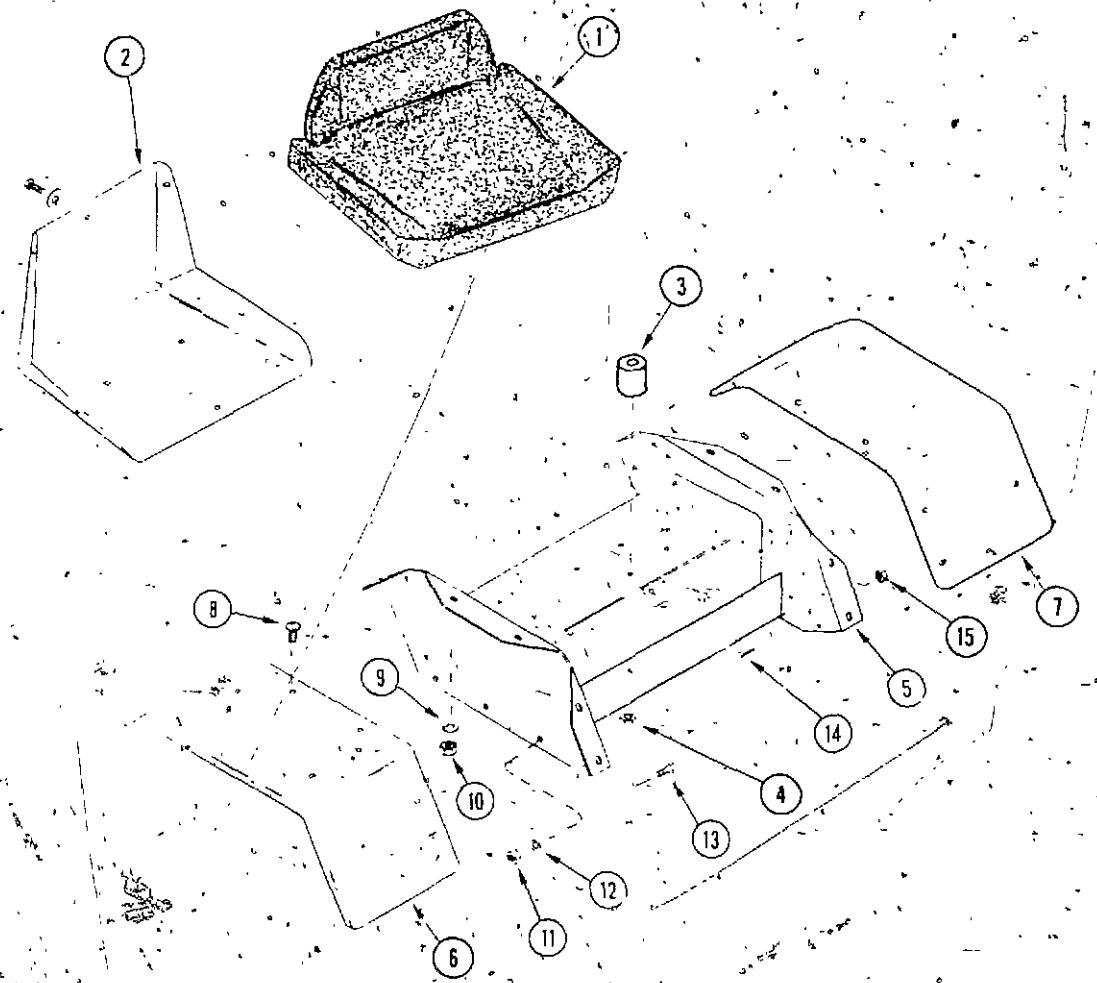
REF. PART NO.	DESCRIPTION	REQ'D
1 C 10271	MOTOR - hydraulic drive	1
2* NSS	OIL SEAL - mtg. plate (See ref. 21)	1
3 A 72028	PLATE - mounting	1
4 166- 23	CAPSCREW - ferry 5/16" x 5/8" N.C.	4
5 193- 29	LOCKWASHER - int. shakeproof 5/16"	4
6 138- 134	PIN - roll 1/4" x 1"	4
7* NSS	QUAD RING - mtg. plate (See ref. 21)	1
8* NSS	"O" RING - mtg. plate to hsg. (See ref. 21) Case A17528)	1
9 A 72030	RACE - output shaft bearing	1
10 A 72031	BEARING - thrust, output shaft thrust	2
11 126- 24	KEY - Woodruff	1
12 C 11645	SHAFT AND HOUSING	1
13 A 72034	PLUG - housing	1
14* NSS	"O" RING - hsg. plug (See ref. 21)	1
15 A 72027	COUPLING - drive	1
16 A 72026	PLATE - spacer	1
17 A 72025	GEROTOR SET (1-1/4" thick)	1
18 A 72051	SPACER - cplg. drive (3/4" thick)	1
19 A 72024	CAP - end	1
20 166- 531	CAPSCREW - ferry 5/16" x 2-1/2" N.F.	7
21 A 72036	KIT - "O" ring and seal (incl. items marked w/*)	1

2510 AND 2712 HYDRAULIC DRIVE MOTOR



25 C 10270	MOTOR - hydraulic drive	1
26* NSS	OIL SEAL - mtg. plate (See ref. 45)	1
27 A 72028	PLATE - mounting	1
28 166- 23	CAPSCREW - ferry 5/16" x 5/8" N.C.	4
29 193- 29	LOCKWASHER - int. shakeproof 5/16"	4
30 138- 134	PIN - roll, 1/4" x 1"	4
31* NSS	QUAD RING - mtg. plate (See ref. 45)	1
32* NSS	"O" RING - (See ref. 45)	1
33 A 72030	RACE - output shaft bearing	1
34 A 72031	BEARING - thrust, output shaft	2
35 126- 24	KEY - Woodruff	1
36 C 11645	SHAFT AND HOUSING	1
37 A 72034	PLUG - housing	1
38* NSS	"O" RING - housing plug (See ref. 45)	1
39 A 72027	COUPLING - drive	1
40 A 72026	PLATE - spacer	1
41 A 72112	GEROTOR SET (2" thick)(2712).	1
42 A 72113	SPACER - cplg. drv. (1-1/2" thick)(2712).	1
43 A 72024	CAP - end	1
44 166- 532	CAPSCREW - ferry, 5/16" x 3-1/4" N.F.(2712).	7
45 A 72036	KIT - "O" ring and seal (incl. item marked w/*)	1
46 C 11827	GEROTOR SET - (1-3/4" thick) (2510)	1
47 C 11828	SPACER - coupling drive (1-1/4" thick) (2510)	1
48 166- 534	CAPSCREW - ferry, 5/16" x 3" NF (2510)	7

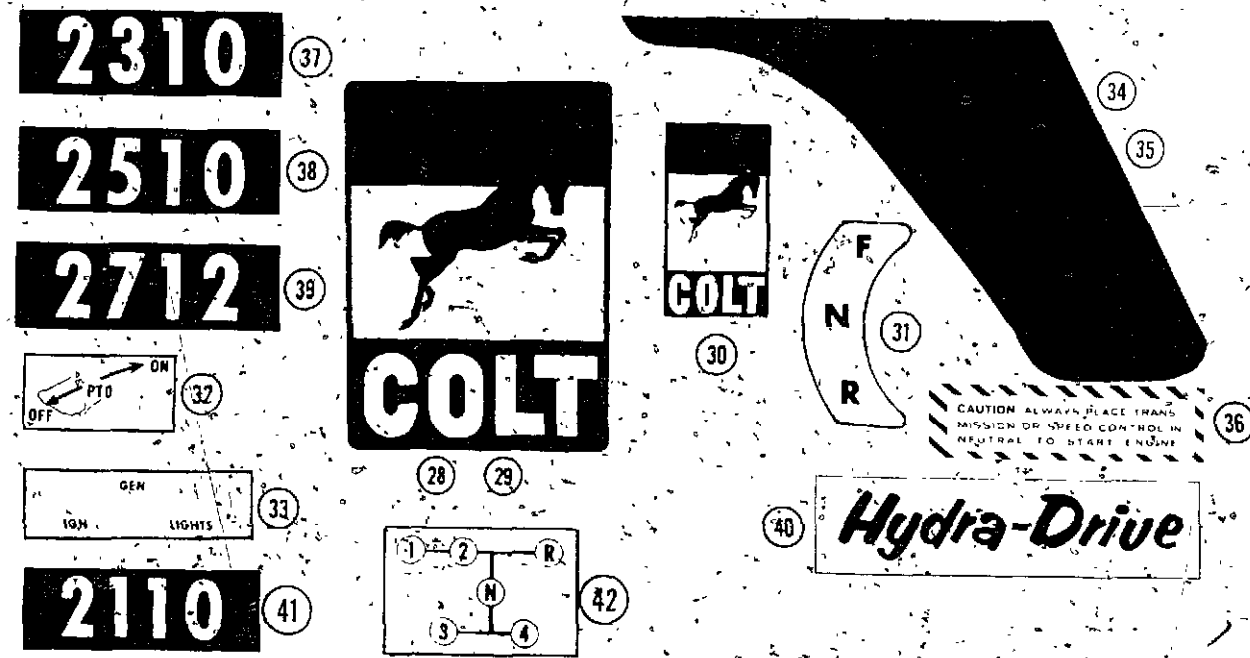
SEAT, FENDERS AND TOOL BOX



REF. PART NO.	DESCRIPTION	REQ'D
1 C 10420	CUSHION - seat	1
2 C 10305	PAN - seat	1
3 C 10433	MOUNTS - seat	3
4 131- 351	NUT - 5/16"-18 N.C.	3
5 C 10434	SUPPORT - seat (2310)(2110)	1
5 C 10712	SUPPORT - seat (2510)	1
5 C 10540	SUPPORT - seat (2712)	1
6 C 10395	FENDER - right hand	1
7 C 10396	FENDER - left hand	1
8 175- 400	SCREW - 1/4"-20 x 1/2" truss head.	10
9 192- 19	LOCKWASHER - 1/4" SAE, plated	10
10 129- 101	NUT - 1/4"-20 N.C., Fl. head.	10
11 129- 102	NUT - 5/8"-18 N.C., fl. head, plated	5
12 192- 20	LOCKWASHER - 5/16" SAE, plated	5
13 115- 103	BOLT - 5/16"-18 x 3/4" rd. hd., plated	5
14 115- 104	BOLT - 5/16"-18 x 1/2" rd. hd., plated	1
15 131- 176	NUT - 5/16"-18 N.C. Gripco, plated.	1

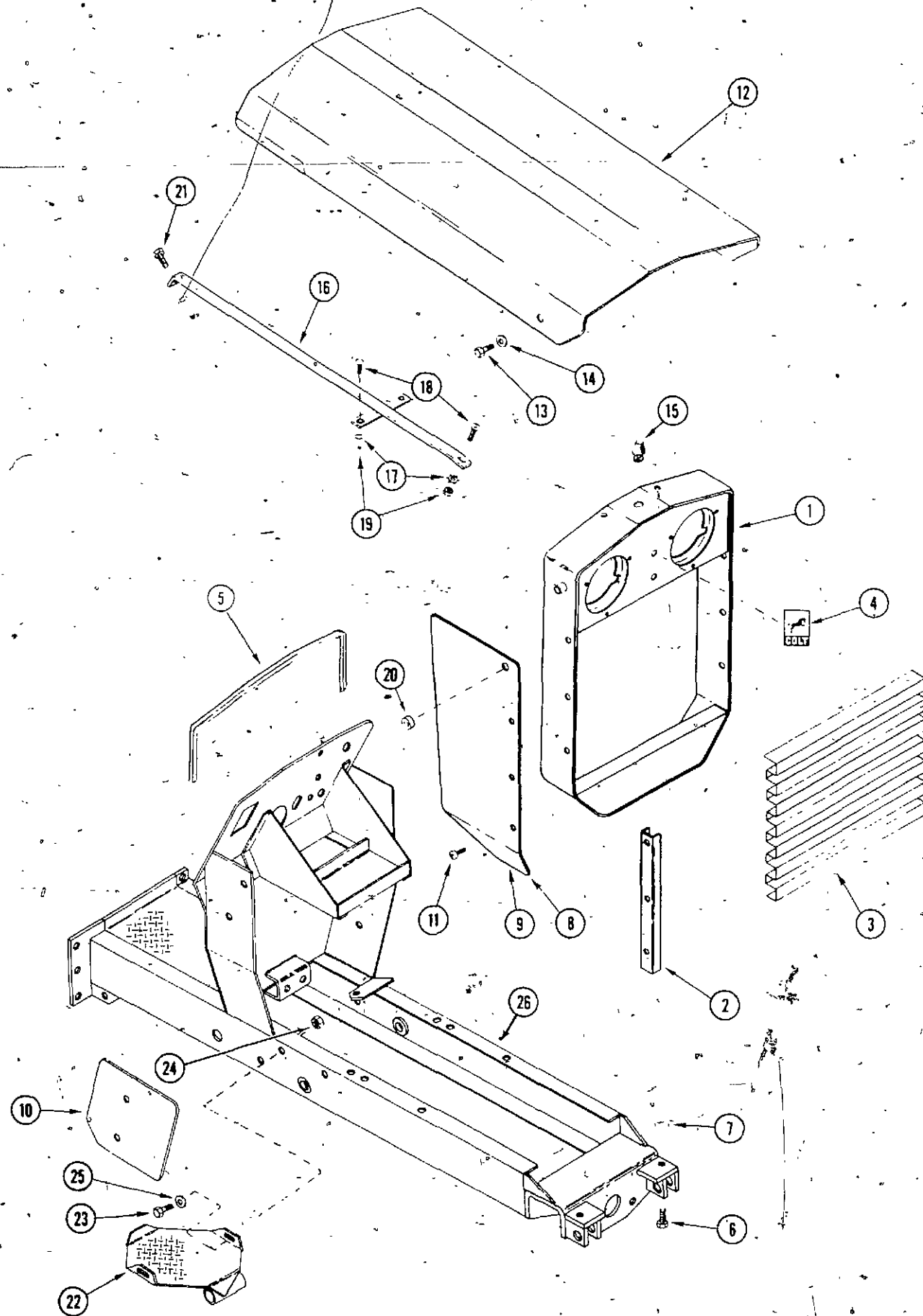
DECALS

28 C 11125	DECAL - right front side	1
29 C 11126	DECAL - left front side	1
30 C 10935	DECAL - Colt grille	1
31 C 11663	DECAL - shift pattern (2310, 2510, 2712)	1
32 C 11659	DECAL - PTO - OFF - ON	1
33 C 11658	DECAL - ignition - generator - lights	1
34 C 10937	DECAL - right rear side	1
35 C 10938	DECAL - left rear side	1
36 C 11661	DECAL - Caution	1
37 C 11649	DECAL - Model 2310	2
38 C 11650	DECAL - Model 2510	2
39 C 11651	DECAL - Model 2712	2
40 C 11328	DECAL - Hydra-Drive	1
41 C 11648	DECAL - Model 2110	2
42 C 11654	DECAL - shift pattern (2110)	1

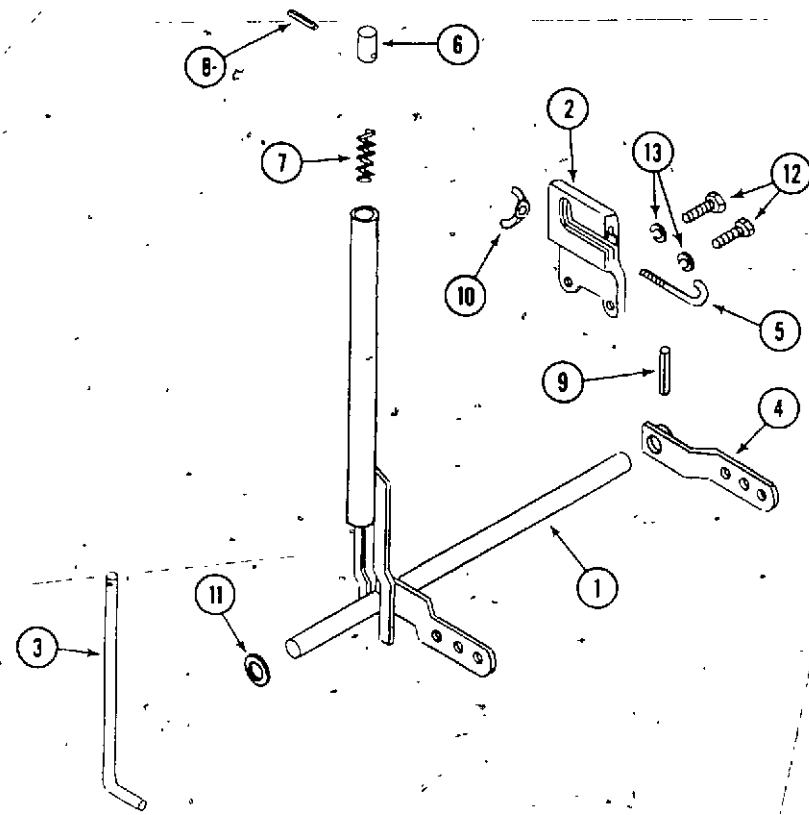


HOOD, FRAME AND GRILLE

REF. PART NO.	DESCRIPTION	REQ'D
1 C 10315	GRILLE	1
2 C 10349	BRACKET - grille mounting	2
3 C 10413	PANEL - grille	1
4 C 10935	DECAL - radiator grille	1
5 C 11582	CHANNEL - instrument panel liner	1
6 182- 509	SCREW - 5/16"-18 x 1" pan head, Phillips	2
7 193- 9	LOCKWASHER - 5/16" SAE external tooth	2
8 C 10370	PANEL - front, side, right hand	1
9 C 10371	PANEL - front, side, left hand	1
10 C 10408	PANEL - rear, side	2
11 C 10596	SCREW - #10 Phillips pan head	10
12 C 10360	HOOD	1
13 C 10361	SCREW - 1/4"-20 x 1/2", lock, plated	2
14 C 11534	BUSHING	2
15 C 10439	CUSHION - rubber, hood	1
16 C 10483	BRACKET - fuel tank mounting	1
17 193- 8	WASHER - 1/4" shakeproof	3
18 173- 207	SCREW - 1/4" x 5/8" rd. hd. machine	3
19 25- 104	NUT - 1/4" N.C., zinc plated	1
20 C 11533	SPACER - nylon	2
21 113- 3	BOLT - 1/4"-20 x 3/4" plated	1
22 C 10283	FOOTPAD	2
23 15- 514	BOLT - 5/16" x 7/8" N.C., rd. hd.	2
24 25- 105	NUT - 5/16"	2
25 92- 5	LOCKWASHER - 5/16" SAE	2
26 C 11016	FRAME - instrument panel (2110)	1
26 C 11582	FRAME - instrument panel (2310, 2510, 2712) shown	1



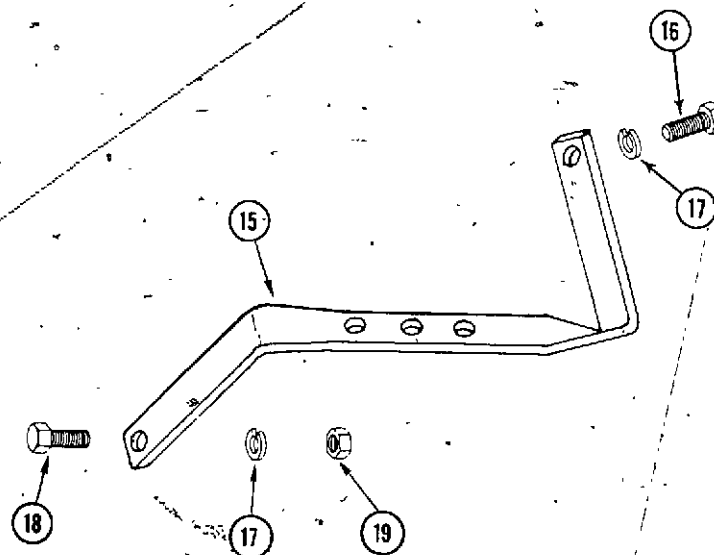
IMPLEMENT LIFT

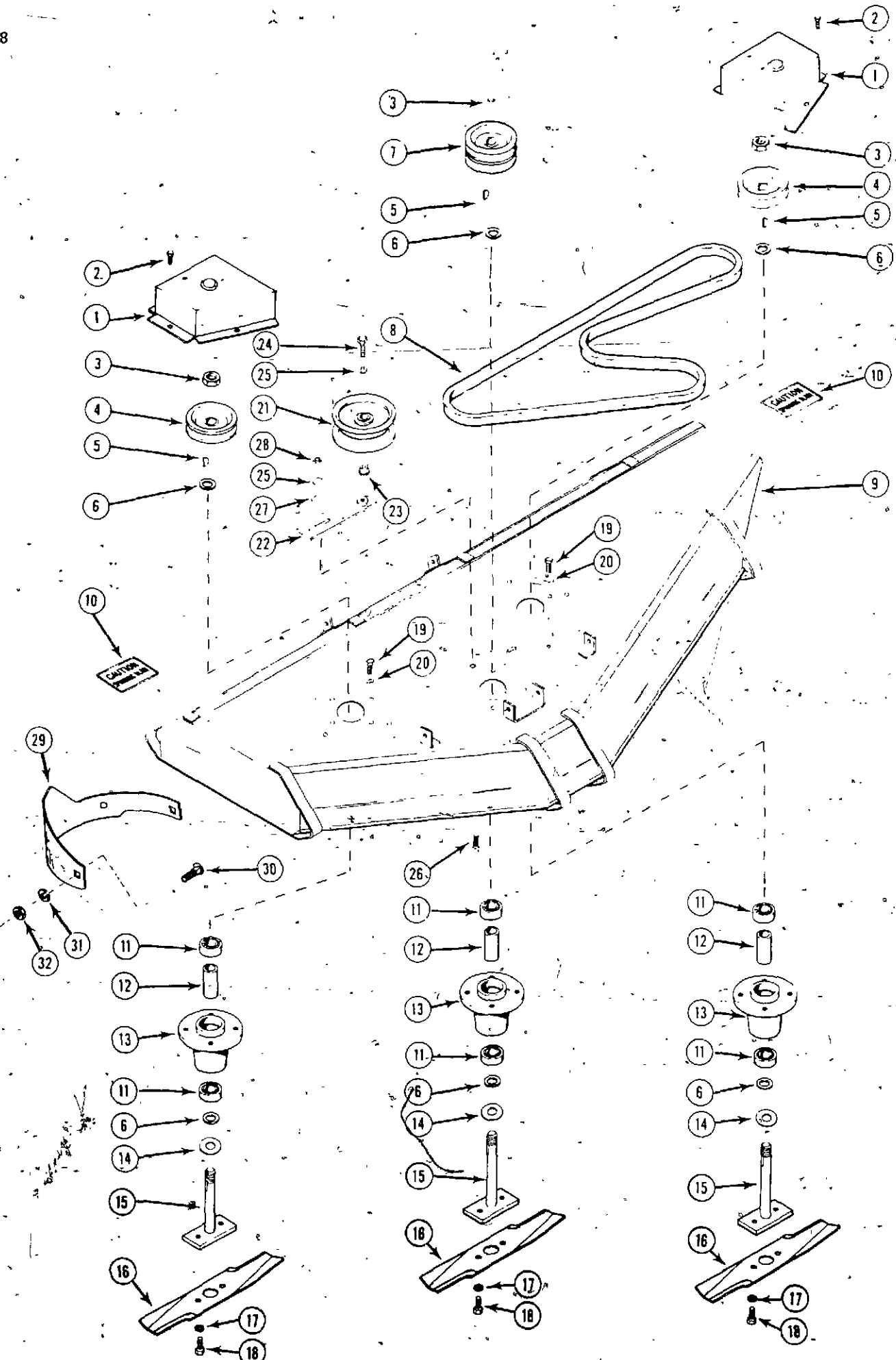


REF. PART NO.	DESCRIPTION	REQ'D
1 C 10343	LEVER - implement lift	1
2 C 10336	PAD - lift lever	1
3 C 10338	ROD - lift lever	1
4 C 10342	LEVER - pivot	1
5 C 10347	ROD - depth adjusting	1
6 C 10356	BUTTON - thumb	1
7 C 10482	SPRING, compression	1
8 C 10485	PIN - spiral, 1/8" x 3/4"	1
9 138- 2007	PIN - spiral, 1/4" x 1-1/4"	1
10 129- 410	NUT - wing	1
11 195- 45	WASHER - 13/16 SAE, plain	1
12 15- 612	BOLT - 3/8"-16 x 3/4" N.C. hex head	2
13 92- 6	LOCKWASHER - 3/8" SAE	2

DRAWBAR AND TOW HITCH

15 C 10449	DRAWBAR - hitch	1
16 15- 816	BOLT - 1/2"-13 N.C. x 1"	1
17 92- 8	LOCKWASHER - 1/2" SAE	2
18 15- 824	BOLT - 1/2"-13 N.C. x 2-1/4"	1
19 25- 108	NUT - 1/2"-13 N.C., hex	1





38" ROTARY MOWER

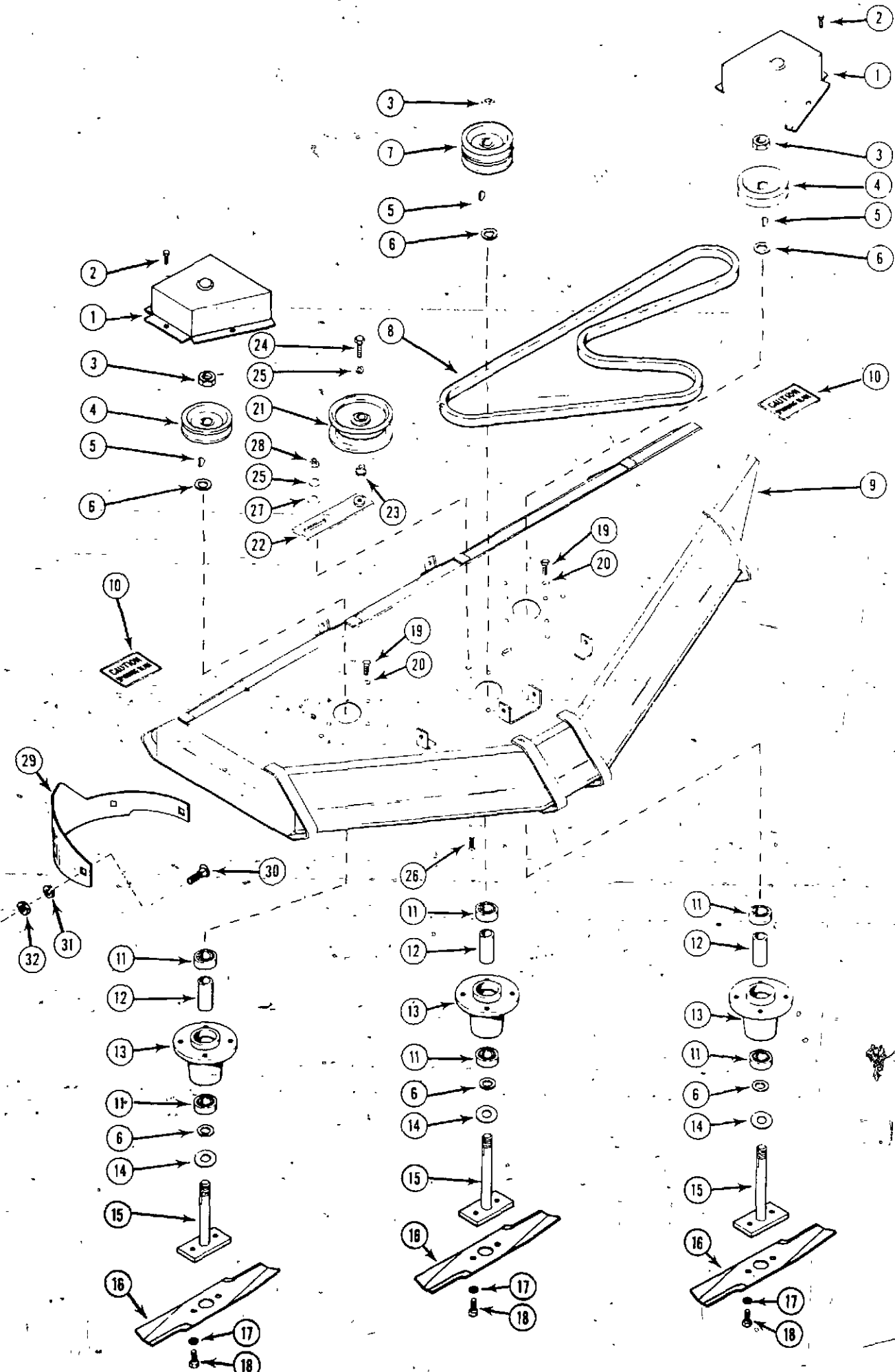
2110 AND 2310 COMPACT TRACTORS

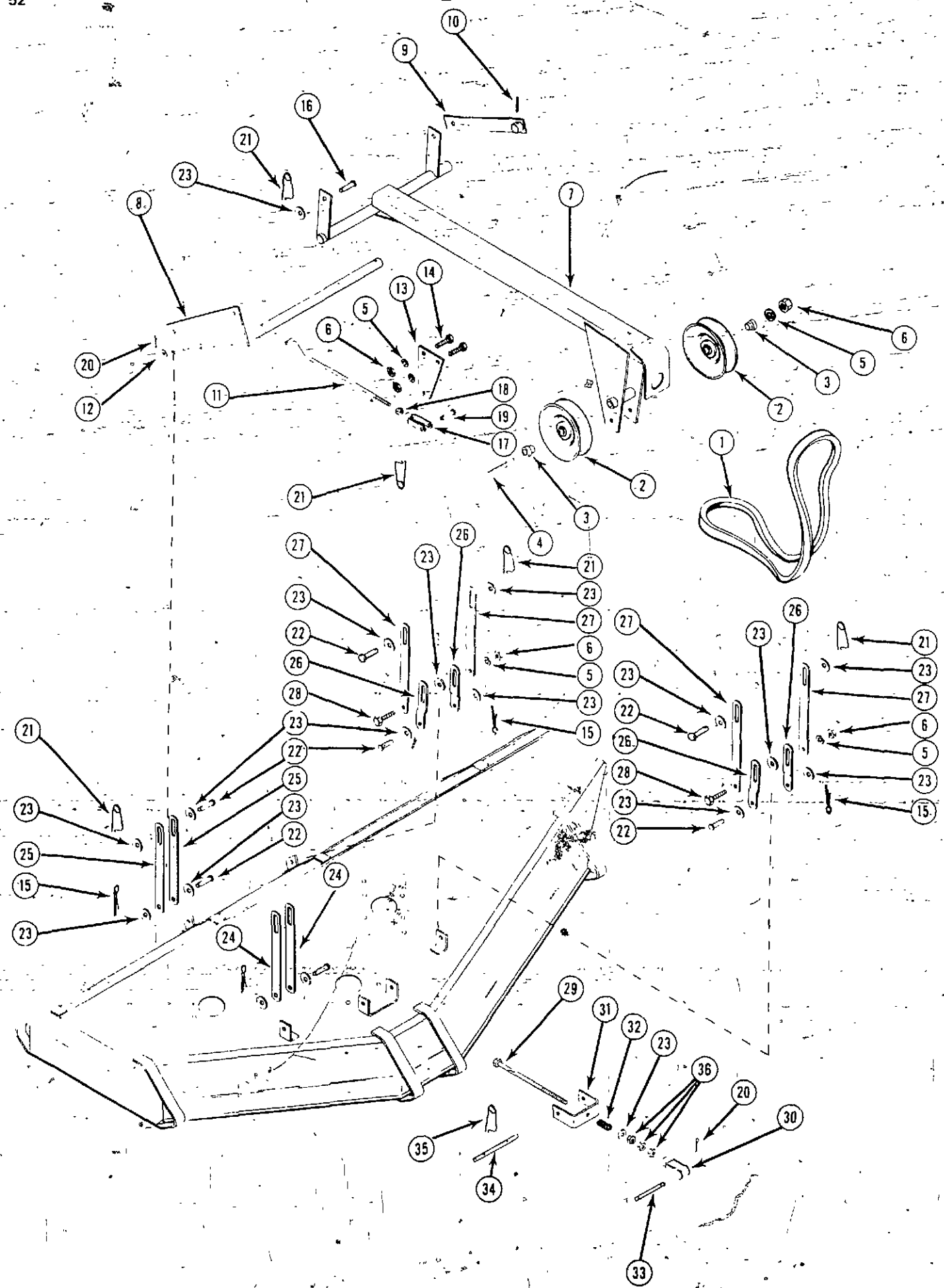
REF. PART NO.	DESCRIPTION	REQ'D
1 C 10806	GUARD - outboard pulley	2
2 187- 1014	SCREW - 1/4" x 1/2" hex head, self-tapping	6
3 25- 1112	NUT - 3/4"-16 hex	3
4 C 10904	PULLEY - outboard spindle	2
5 C 11512	KEY, Woodruff #11	3
6 C 10822	WASHER - mower spindle	6
7 C 10713	PULLEY - center spindle, 2 groove	1
8 C 10769	BELT - driven, 3V710	1
9 C 10788	DECK - mower, 38"	1
10 A 70404	DECAL - "caution-spinning blade"	2
11 C 10899	BEARING - spindle	6
12 C 10810	SPACER - bearing	3
13 C 10807	HOUSING - spindle	3
14 C 10942	WASHER - bearing seal	3
15 C 10808	SPINDLE - mower blade	3
16 C 11655	BLADE - 14" mower	3
17 92- 6	WASHER - 3/8" SAE std. lock	6
18 115- 206	BOLT - 3/8" x 5/8" N. C. ZP	6
19 115- 203	BOLT - 3/8" x 3/4" N. C.	12
20 92- 6	WASHER - 3/8" SAE std. lock	12
21 C 10765	PULLEY - idler	1
22 C 10814	BRACKET - idler	1
23 C 10817	BUSHING - idler pulley	1
24 16- 624	BOLT - 3/8" x 1-1/2" N. F. ZP	1
25 92- 6	WASHER - 3/8" SAE std. lock	2
26 11- 614	BOLT - 3/8" x 7/8" - round head, square neck	1
27 195- 522	WASHER - 3/8" SAE plain ZP	1
28 25- 106	NUT - 3/8"-16 N. C. hex	1
29 C 11671	BAFFLE - 38"	1
30 111- 229	BOLT - 5/16" x 1/2" - round head, square neck	3
31 192- 20	LOCKWASHER - 5/16" plated	3
32 129- 102	NUT - 5/16" plated	3

44" ROTARY MOWER

2110, 2310, 2510 AND 2712 COMPACT TRACTORS

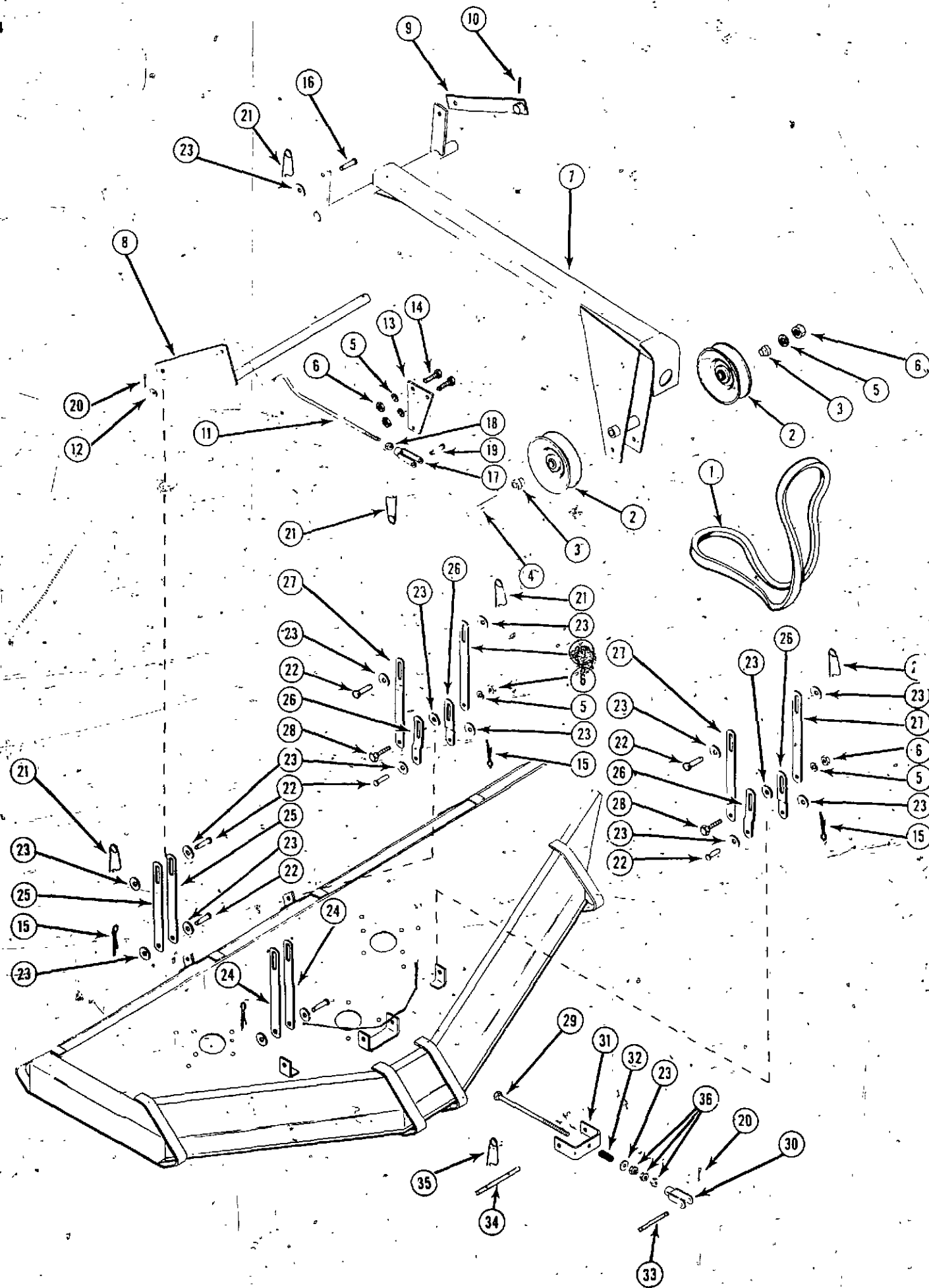
REF. PART NO.	DESCRIPTION	REQ'D
1 C 10806	GUARD - outboard pulley	2
2 187- 1014	SCREW - 1/4" x 1/2" hex head, self-tapping	6
3 25- 1112	NUT - 3/4"-16 hex	3
4 C 10904	PULLEY - outboard spindle	2
5 C 11512	KEY - Woodruff #11	3
6 C 10822	WASHER - mower spindle	6
7 C 10713	PULLEY - center spindle, 2 groove	1
8 C 23811	BELT - driven, 3V750	1
9 C 10833	DECK - mower, 44"	1
10 A 70404	DECAL - "caution-spinning blade"	2
11 C 10899	BEARING - spindle	6
12 C 10810	SPACER - bearing	3
13 C 10807	HOUSING - spindle	3
14 C 10942	WASHER - bearing seal	3
15 C 10808	SPINDLE - mower blade	3
16 C 11654	BLADE - 15-1/2" mower	3
17 92- 6	WASHER - 3/8" SAE std. lock	6
18 115- 206	BOLT - 3/8" x 5/8" N. C. ZP	6
19 115- 203	BOLT - 3/8" x 3/4" N. C.	12
20 92- 6	WASHER - 3/8" SAE std. lock	12
21 C 10765	PULLEY - idler	1
22 C 10814	BRACKET - idler	1
23 C 10817	BUSHING, idler pulley	1
24 16- 624	BOLT - 3/8" x 1-1/2" N. F. ZP	1
25 92- 6	WASHER - 3/8" SAE std. lock	2
26 11- 614	BOLT - 3/8" x 7/8" - round head, square neck	1
27 195- 522	WASHER - 3/8" SAE plain ZP	1
28 25- 106	NUT - 3/8"-16 N. C. hex	1
29 C 11656	BAFFLE - 44"	1
30 111- 229	BOLT - 5/16" x 1/2", round head, square neck	3
31 192- 20	LOCKWASHER - 5/16" plated	3
32 129- 102	NUT - 5/16" plated	3





38" - 44" ROTARY MOWER
2110 AND 2310 COMPACT TRACTORS

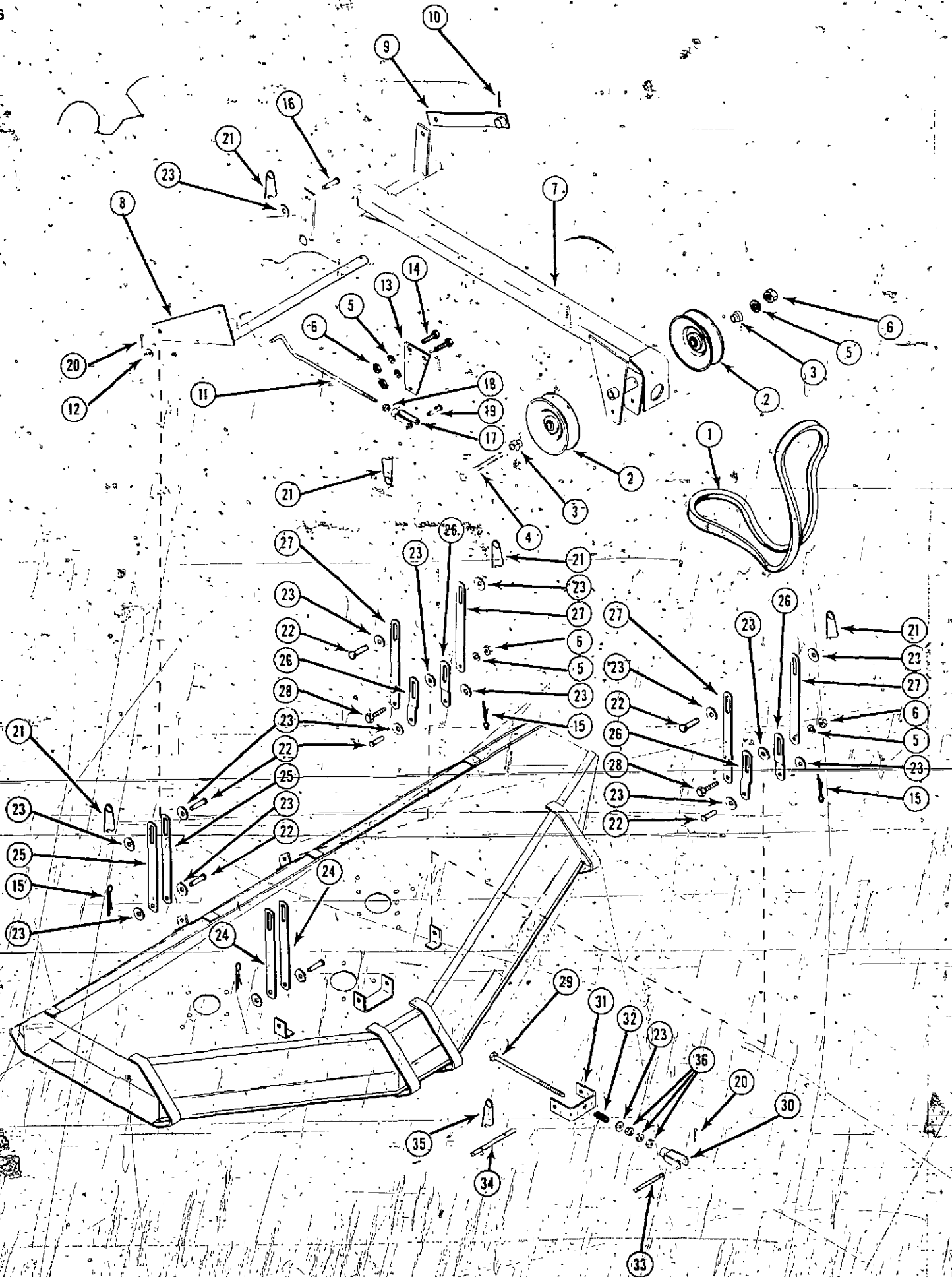
REF. PART NO.	DESCRIPTION	REQ'D
1 C 14980	BELT - drive	1
2 C 10463	PULLEY - idler	2
3 C 10551	BUSHING - idler	2
4 15- 896	BOLT - 1/2" x 6" N. C.	1
5 92- 8	WASHER - 1/2" SAE std. lock	5
6 25- 108	NUT - 1/2"-13 N. C. hex	5
7 C 10949	FRAME - support	1
8 C 10760	BELLCRANK - rear lift	1
9 C 10789	LEVER - rear lift	1
10 138- 2008	ROLLPIN - 1/4" x 1-1/8"	1
11 C 10757	PULL ROD - rear mower lift	1
12 195- 522	WASHER - 3/8" SAE plain ZP	1
13 C 10751	LEVER - lift	1
14 115- 406	BOLT - 1/2" x 1-1/4" N. C.	2
15 132- 48	PIN - cotter, 1/8" x 1"	6
16 C 10953	PIN - clevis 1/2" x 3/4"	2
17 213- 4	CLEVIS - 3/8"-24 SAE	1
18 25- 156	NUT - 3/8"-24 N. F. hex	1
19 141- 4	PIN - clevis 3/8" SAE	1
20 132- 26	PIN - cotter 3/32" x 3/4"	3
21 C 10898	PIN - safety	7
22 C 10821	PIN - clevis 1/2"	8
23 195- 530	WASHER - 1/2" SAE plain ZP	20
24 C 10804	LINK - front mower lift	2
25 C 10803	LINK - rear mower lift	2
26 C 11344	LINK - bottom lift	4
27 C 11345	LINK - top lift	4
28 115- 406	BOLT - 1/2" x 1-1/2" N. C.	2
29 C 10800	BOLT - belt tension arm	1
30 C 10952	YOKE - adjustable rod end	1
31 C 10802	YOKE - belt tension arm	1
32 C 10813	SPRING - belt tension	1
33 C 10818	PIN - pivot	1
34 C 10897	PIN - pivot	1
35 C 10883	PIN - safety	2
36 25- 148	NUT - 1/2"-13 N. C. hex	3



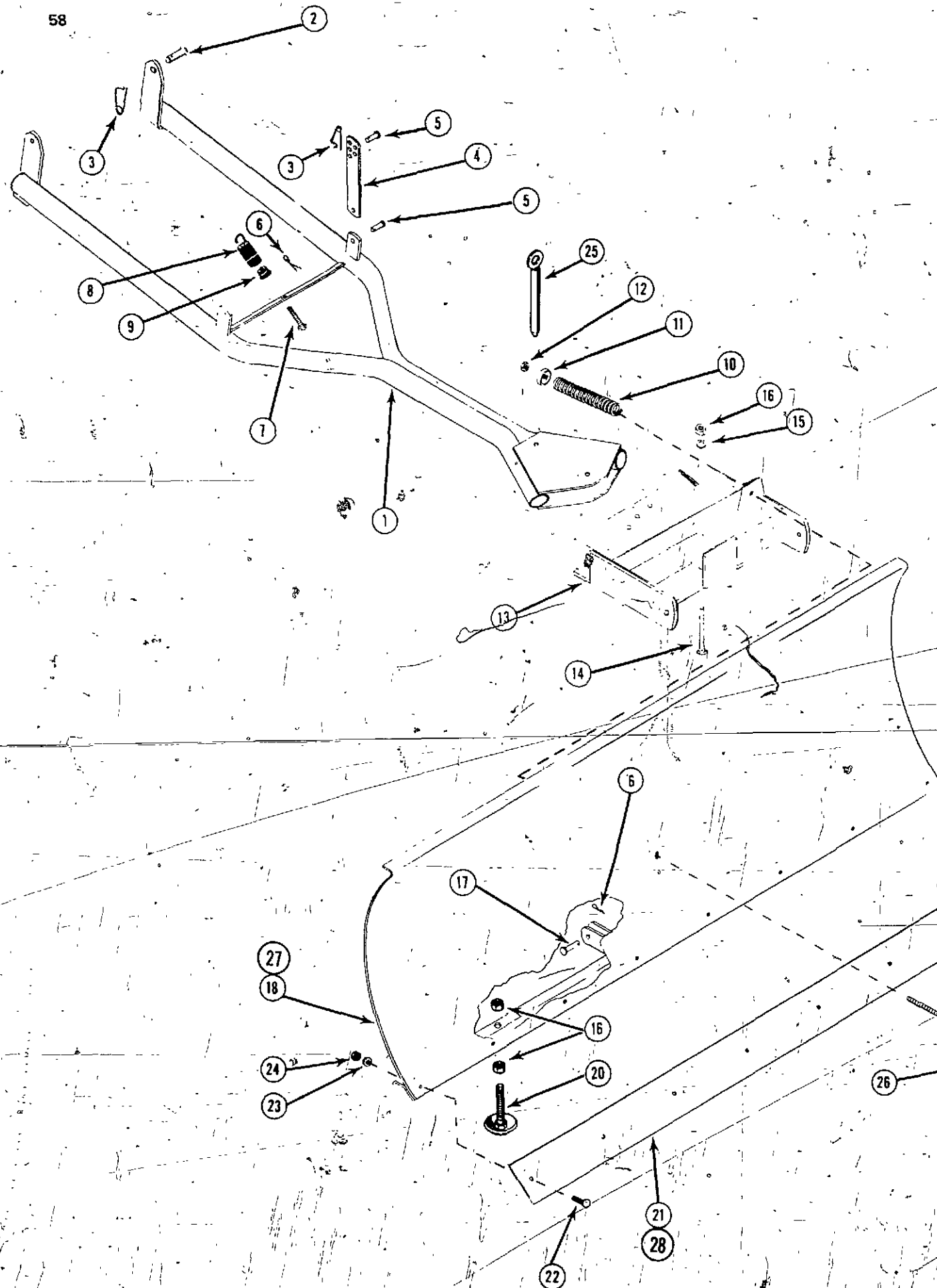
**44' ROTARY MOWER
2712 COMPACT TRACTOR**

REF. PART NO.	DESCRIPTION	REQ'D
1 C 11668	BELT - drive	1
2 C 10463	PULLEY - idler	2
3 C 10551	BUSHING - idler	2
4 15- 896	BOLT - 1/2" x 6" N. C.	1
5 92- 8	WASHER - 1/2" SAE std. lock	5
6 25- 108	NUT - 1/2"-13 N. C. hex	5
7 C 10951	FRAME - support	1
8 C 10760	BELLCRANK - rear lift	1
9 C 10789	LEVER - rear lift	1
10 138- 2008	ROLLPIN - 1/4" x 1-1/8"	1
11 C 10757	PULL ROD - rear mower lift	1
12 195- 522	WASHER - 3/8" SAE plain ZP	1
13 C 10751	LEVER - lift	1
14 115- 406	BOLT - 1/2" x 1-1/4" N. C.	2
15 132- 48	PIN - cotter 1/8" x 1"	6
16 C 10953	PIN - clevis 1/2" x 3/4"	2
17 213- 4	CLEVIS - 3/8"-24 SAE	1
18 25- 156	NUT - 3/8"-24 N. F. hex	1
19 141- 4	PIN - clevis 3/8" SAE	1
20 132- 26	PIN - cotter 3/32" x 3/4"	3
21 C 10898	PIN - safety	7
22 C 10821	PIN - clevis 1/2"	8
23 195- 530	WASHER - 1/2" SAE plain ZP	20
24 C 10915	LINK - front mower lift	2
25 C 10916	LINK - rear mower lift	2
26 C 11344	LINK - bottom lift	4
27 C 11347	LINK - top lift	4
28 115- 407	BOLT - 1/2" x 1-1/2" N. C.	2
29 C 10800	BOLT - belt tension arm	1
30 C 10952	YOKE - adjustable rod end	1
31 C 10802	YOKE - belt tension arm	1
32 C 10813	SPRING - belt tension	1
33 C 10818	PIN - pivot	1
34 C 10897	PIN - pivot	1
35 C 10883	PIN - safety	2
36 25- 148	NUT - 1/2"-13 N. C. hex	3

ROTARY MOWER
44" ROTARY MOWER
2510 COMPACT TRACTOR



REF. PART NO.	DESCRIPTION	REQ'D
1 C 11667	BELT - drive	1
2 C 10463	PULLEY - idler	2
3 C 10551	BUSHING - idler	2
4 15- 896	BOLT - 1/2" x 6" N. C.	1
5 92- 8	WASHER - 1/2" SAE std. lock	5
6 25- 108	NUT - 1/2"-13 N. C. hex	5
7 C 10950	FRAME - support	1
8 C 10760	BELLCRANK - rear lift	1
9 C 10789	LEVER - rear lift	1
10 138- 2008	ROLLPIN - 1/4" x 1-1/8"	1
11 C 10757	PULL ROD - rear mower lift	1
12 195- 522	WASHER - 3/8" SAE plain ZP	1
13 C 10751	LEVER - lift	1
14 115- 406	BOLT - 1/2" x 1-1/4" N. C.	2
15 132- 48	PIN - cotter 1/8" x 1"	6
16 C 10953	PIN - clevis 1/2" x 3/4"	2
17 213- 4	CLEVIS - 3/8"-24 SAE	1
18 25- 156	NUT - 3/8"-24 N. F. hex	1
19 141- 4	PIN - clevis 3/8" SAE	1
20 132- 26	PIN - cotter 3/32" x 3/4"	3
21 C 10898	PIN - safety	7
22 C 10821	PIN - clevis 1/2"	8
23 195- 530	WASHER - 1/2" SAE plain ZP	20
24 C 10848	LINK - front mower lift	2
25 C 10849	LINK - rear mower lift	2
26 C 11344	LINK - bottom lift	4
27 C 11346	LINK - top lift	4
28 115- 407	BOLT - 1/2" x 1-1/2" N. C.	2
29 C 10800	BOLT - belt tension arm	1
30 C 10952	YOKE - adjustable rod end	1
31 C 10802	YOKE - belt tension arm	1
32 C 10813	SPRING - belt tension	1
33 C 10818	PIN - pivot	1
34 C 10897	PIN - pivot	1
35 C 10883	PIN - safety	2
36 25- 148	NUT - 1/2"-13 N. C. hex	3

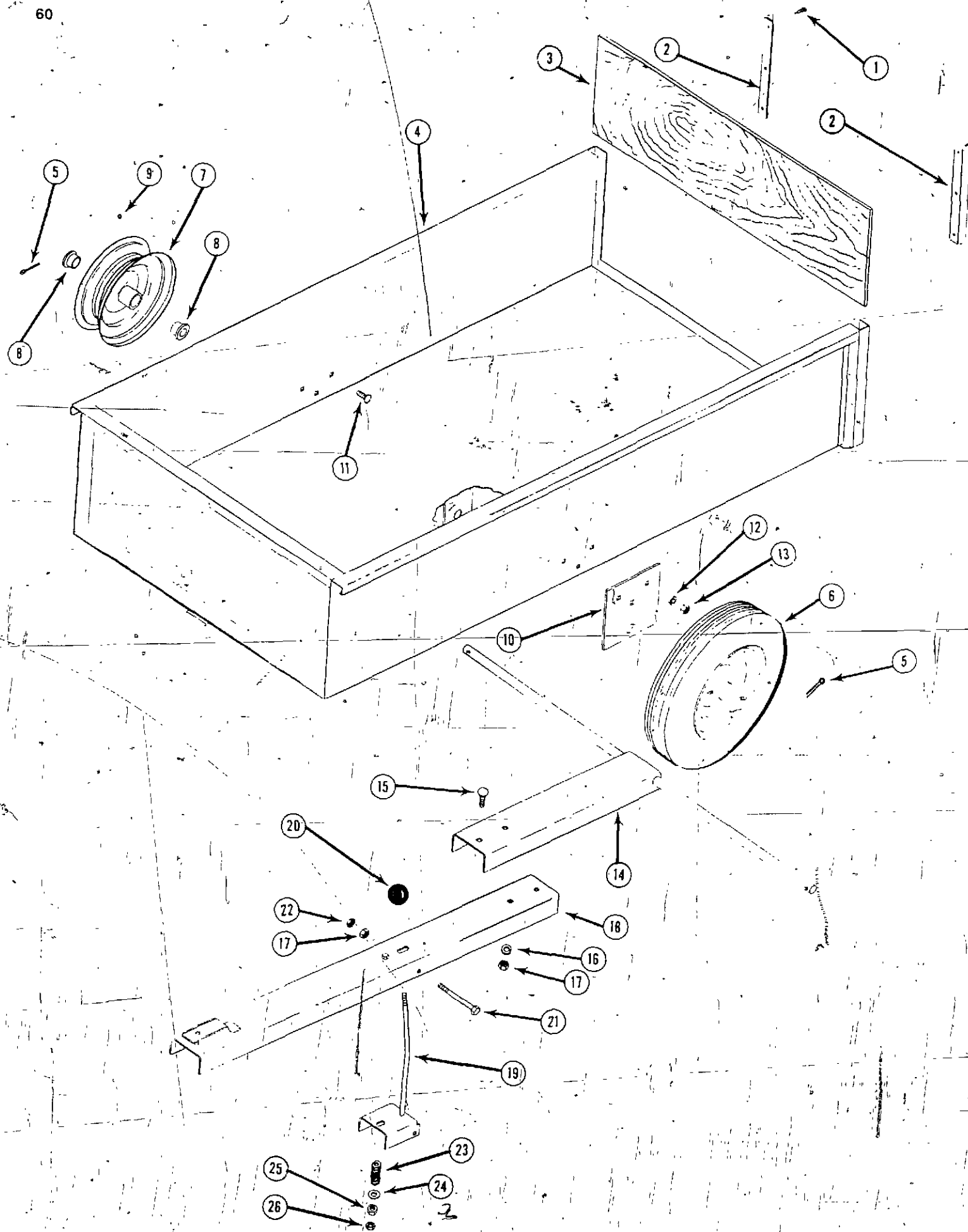


44" AND 50" DOZER BLADE

REF. PART NO.	DESCRIPTION	REQ'D
1 C 10850	FRAME - dozer	1
2 C 10820	PIN - clevis - 5/8"	2
3 C 10898	PIN - safety	4
4 C 10879	LINK - dozer lift	2
5 C 10821	PIN - clevis - 1/2"	4
6 132- 48	PIN - cotter - 1/8" x 1"	4
7 C 10967	BOLT - 3/8" x 3" hex head	1
8 C 10966	SPRING - extension	1
9 C 10965	PLUG - spring adjustment	1
10 C 10921	SPRING - compression	1
11 C 10896	WASHER - cup	1
12 129- 103	NUT - 3/8"-16 N. C.	1
13 C 10873	WELDMENT - blade pivot	1
14 15- 856	BOLT - 1/2" x 3-1/2" N. C.	1
15 92- 8	WASHER - 1/2" SAE std. lock	1
16 25- 108	NUT - 1/2"-13 N. C.	5
17 141- 6	PIN - clevis - 1/2"	2
18 C 10870	BLADE - 44" dozer	1
19 C 11049	BOLT - 3/8" x 10" N. C. ZP	1
20 C 10968	SHOE - dozer	2
21 C 10871	BLADE - 44" scraper	1
22 11- 516	BOLT - 5/16" x 1" round head	9
23 92- 5	WASHER - 5/16" SAE std. lock	9
24 25- 105	NUT - 5/16"-18 hex	9
25 C 10888	PIN - locking	1
26 111- 342	BOLT - 3/8" x 1" round head, square neck	1
27 C 10881	BLADE - 50" dozer	1
28 C 10878	BLADE - 50" scraper	1

DUMP CART

2110, 2310, 2510 AND 2712 COMPACT TRACTORS



REF. PART NO.	DESCRIPTION	REQ'D
1 186- 218	SCREW - 5/8" No. 5 - round head	6
2 C 11436	ANGLE - stiffener	2
3 C 11437	TAIL GATE - wood	1
4 C 10660	BODY - trailer assembly	1
5 132- 93	PIN - cotter - 3/16" x 1-1/4"	2
6 A 70063	WHEEL - assembly	2
7 A 70479	RIM - wheel - 4 x 8	1
8 A 70398	BUSHING - wheel - flanged - 3/4"	2
9 219- 1	GREASE FITTING - zerk	1
10 C 10664	BRACKET - axle	2
11 12- 512	BOLT - 5/16" x 3/4" round head, square neck	6
12 92- 5	WASHER - 5/16" SAE std. lock	6
13 25- 105	NUT - 5/16" N. C. hex	6
14 C 10666	TONGUE - rear assembly with axle	1
15 12- 612	BOLT - 3/8" x 3/4" - round head, square neck	2
16 92- 6	WASHER - 3/8" SAE std. lock	2
17 25- 106	NUT - 3/8" N. C. hex	3
18 C 10665	TONGUE - front assembly	1
19 C 10661	LEVER - release	1
20 C 10662	KNOB - release lever	1
21 15- 656	BOLT - 3/8" x 3-1/2" hex head	1
22 25- 146	NUT - 3/8" N. C. hex jam	1
23 C 10663	SPRING - release lever	1
24 95- 5	WASHER - 5/16" SAE std. plain	1
25 25- 105	NUT - 5/16" N. C. hex	1
26 25- 145	NUT - 5/16" N. C. hex jam	1

NUMERICAL INDEX

PART NO.	PAGE NO.	REF. NO.	PART NO.	PAGE NO.	REF. NO.	PART NO.	PAGE NO.	REF. NO.
A	35012	25	A	72010	17	B	51978	5
A	7982	37	A	72011	17	B	51979	5
A	7982	37	A	72012	17	B	51980	5
A	11275	9	A	72013	17	B	53256	5
A	11276	9	A	72014	17	B	53256	5
A	11280	9	A	72015	17	B	59393	5
A	11538	25	A	72017	17	C	10201	23
A	12652	27	A	72018	17	C	10205	27
A	27287	25	A	72020	17	C	10208	19
A	27999	27	A	72021	17	C	10209	19
A	35956	39	A	72022	17	C	10215	19
A	70055	19	A	72024	41	C	10216	19
A	70055	19	A	72024	41	C	10217	19
A	70056	17	A	72025	41	C	10218	19
A	70058	17	A	72026	41	C	10235	19
A	70061	15	A	72026	41	C	10240	19
A	70061	15	A	72027	41	C	10241	19
A	70063	61	A	72027	41	C	10243	23
A	70084	7	A	72028	41	C	10246	19
A	70099	5	A	72028	41	C	10247	19
A	70100	5	A	72030	41	C	10250	19
A	70103	5	A	72030	41	C	10252	23
A	70111	35	A	72031	41	C	10253	23
A	70111	39	A	72031	41	C	10254	23
A	70112	39	A	72034	41	C	10255	23
A	70117	35	A	72034	41	C	10258	35
A	70127	23	A	72036	41	C	10258	39
A	70127	35	A	72036	41	C	10259	23
A	70128	35	A	72051	41	C	10261	23
A	70131	28	A	72052	37	C	10262	35
A	70137	23	A	72055	37	C	10263	13
A	70141	23	A	72056	37	C	10263	15
A	70142	23	A	72057	37	C	10266	35
A	70143	23	A	72058	37	C	10267	35
A	70144	13	A	72059	37	C	10268	35
A	70183	13	A	72060	37	C	10269	35
A	70184	13	A	72061	37	C	10270	35
A	70184	15	A	72061	37	C	10270	41
A	70202	9	A	72062	37	C	10271	35
A	70221	9	A	72062	37	C	10271	41
A	70398	13	A	72063	37	C	10283	45
A	70398	15	A	72064	37	C	10286	23
A	70398	61	A	72065	37	C	10287	23
A	70404	49	A	72066	37	C	10288	23
A	70404	51	A	72067	37	C	10289	23
A	70418	29	A	72068	37	C	10291	23
A	70463	15	A	72069	37	C	10292	23
A	70463	19	A	72070	37	C	10293	23
A	70479	13	A	72070	37	C	10294	23
A	70479	15	A	72071	37	C	10295	23
A	70479	61	A	72072	37	C	10296	23
A	72000	39	A	72112	41	C	10298	23
A	72001	39	A	72113	41	C	10299	23
A	72002	39	A	613827	39	C	10299	23
A	72003	39	B	18208	33	C	10300	23
A	72004	39	B	18208	23	C	10301	23
A	72005	39	B	51975	5	C	10302	23
A	72007	39	B	51977	5	C	10303	23

NUMERICAL INDEX

PART NO.	PAGE NO.	REF. NO.	PART NO.	PAGE NO.	REF. NO.	PART NO.	PAGE NO.	REF. NO.
C	10305	43	C	10485	47	C	10665	61
C	10307	29	C	10486	25	C	10666	61
C	10309	33	C	10487	21	C	10677	35
C	10310	29	C	10487	27	C	10678	5
C	10311	21	C	10483	35	C	10712	43
C	10312	21	C	10493	39	C	10713	49
C	10313	7	C	10495	35	C	10713	51
C	10314	13	C	10498	31	C	10716	31
C	10314	15	C	10500	21	C	10718	31
C	10315	45	C	10501	19	C	10721	9
C	10316	15	C	10501	19	C	10741	29
C	10317	15	C	10502	21	C	10750	29
C	10336	47	C	10503	21	C	10751	53
C	10338	47	C	10504	21	C	10751	55
C	10342	47	C	10505	21	C	10751	57
C	10343	47	C	10506	21	C	10755	33
C	10347	47	C	10507	21	C	10757	53
C	10348	35	C	10518	29	C	10757	55
C	10349	45	C	10519	29	C	10757	57
C	10356	47	C	10525	21	C	10760	53
C	10364	17	C	10528	33	C	10760	55
C	10360	45	C	10528	35	C	10760	57
C	10361	45	C	10534	13	C	10765	49
C	10370	45	C	10534	15	C	10765	51
C	10371	45	C	10537	15	C	10769	49
C	10483	5	C	10538	33	C	10770	33
C	10395	43	C	10540	43	C	10773	29
C	10396	43	C	10549	9	C	10774	29
C	10397	9	C	10551	31	C	10775	29
C	10408	45	C	10551	53	C	10776	29
C	10409	31	C	10551	55	C	10788	49
C	10413	45	C	10551	57	C	10789	53
C	10415	35	C	10552	13	C	10789	55
C	10418	35	C	10552	15	C	10789	57
C	10419	35	C	10552	15	C	10789	57
C	10420	43	C	10559	35	C	10792	29
C	10425	31	C	10560	7	C	10794	29
C	10427	7	C	10561	7	C	10800	53
C	10433	43	C	10562	33	C	10800	55
C	10434	43	C	10565	33	C	10800	57
C	10439	45	C	10569	17	C	10802	53
C	10446	13	C	10570	17	C	10802	55
C	10449	47	C	10571	29	C	10802	57
C	10461	9	C	10571	33	C	10803	53
C	10463	31	C	10575	35	C	10804	53
C	10463	53	C	10576	35	C	10806	49
C	10463	55	C	10585	9	C	10806	51
C	10463	57	C	10586	9	C	10807	49
C	10465	23	C	10587	9	C	10807	51
C	10467	33	C	10588	9	C	10808	49
C	10469	9	C	10590	9	C	10808	51
C	10470	9	C	10592	9	C	10810	49
C	10471	9	C	10596	45	C	10810	51
C	10473	9	C	10657	5	C	10813	53
C	10474	9	C	10660	61	C	10813	55
C	10479	5	C	10661	61	C	10813	57
C	10482	47	C	10662	61	C	10814	49
C	10483	45	C	10663	61	C	10814	51
			C	10664	61	C	10817	49

PART NO.	PAGE NO.	REF. NO.	PART NO.	PAGE NO.	REF. NO.	PART NO.	PAGE NO.	REF. NO.			
C	10818	51	23	C	10951	55	7	C	11204	27	58
C	10818	53	33	C	10952	53	30	C	11206	27	60
C	10818	55	33	C	10952	55	30	C	11207	27	62
C	10818	57	33	C	10952	57	30	C	11208	27	72
C	10820	59	2	C	10953	53	16	C	11209	27	64
C	10821	53	22	C	10953	55	16	C	11210	27	65
C	10821	55	22	C	10953	57	16	C	11211	27	66
C	10821	57	22	C	10965	59	9	C	11212	27	67
C	10821	59	5	C	10966	59	8	C	11213	27	68
C	10822	27	74	C	10967	59	7	C	11214	27	69
C	10822	49	6	C	10968	59	20	C	11215	27	70
C	10822	51	6	C	10985	9	22	C	11216	27	71
C	10833	51	9	C	10991	33	21	C	11218	27	48
C	10836	9	16	C	11016	45	26	C	11219	25	2
C	10837	9	29	C	11049	59	19	C	11220	25	4
C	10838	9	30	C	11125	43	28	C	11222	25	38
C	10839	9	34	C	11126	43	29	C	11223	27	73
C	10848	57	24	C	11126	43	29	C	11223	27	73
C	10848	57	24	C	11161	25	1	C	11224	27	75
C	10849	25	25	C	11162	25	5	C	11230	33	3
C	10850	59	1	C	11163	25	6	C	11231	33	2
C	10866	7	10	C	11164	25	7	C	11247	9	13
C	10870	59	18	C	11165	25	8	C	11284	29	24
C	10871	59	21	C	11166	25	9	C	11328	43	40
C	10873	59	13	C	11167	25	11	C	11344	53	26
C	10878	59	28	C	11168	25	12	C	11344	55	26
C	10879	59	4	C	11169	25	13	C	11344	57	26
C	10880	21	1	C	11170	25	14	C	11345	53	27
C	10881	59	27	C	11171	25	15	C	11346	57	27
C	10882	23	13	C	11172	25	19	C	11347	55	27
C	10883	21	5	C	11173	25	20	C	11358	5	7
C	10883	53	35	C	11174	25	21	C	11436	61	2
C	10883	55	35	C	11175	25	22	C	11437	61	3
C	10883	57	35	C	11176	25	23	C	11512	49	5
C	10888	59	25	C	11177	25	25	C	11512	51	5
C	10896	59	11	C	11177	25	25	C	11523	33	27
C	10897	53	34	C	11178	25	16	C	11529	5	2
C	10897	55	34	C	11179	25	27	C	11531	33	26
C	10897	57	34	C	11180	25	28	C	11531	33	26
C	10898	53	21	C	11181	25	29	C	11533	45	20
C	10898	55	21	C	11182	25	30	C	11534	45	14
C	10898	57	21	C	11183	25	31	C	11545	5	12
C	10898	59	3	C	11184	25	32	C	11582	45	5
C	10899	49	11	C	11185	25	33	C	11582	45	26
C	10899	51	11	C	11185	25	34	C	11586	33	17
C	10904	49	4	C	11185	25	34	C	11586	33	17
C	10904	51	4	C	11188	25	35	C	11588	33	18
C	10915	55	24	C	11188	25	35	C	11588	33	18
C	10916	55	25	C	11188	25	36	C	11641	9	4
C	10921	59	10	C	11189	25	37	C	11642	39	7
C	10929	7	4	C	11190	25	39	C	11643	39	8
C	10935	43	30	C	11191	25	40	C	11644	39	4
C	10935	45	4	C	11192	27	42	C	11645	41	12
C	10937	43	34	C	11192	27	42	C	11645	41	36
C	10938	43	35	C	11193	27	43	C	11645	41	36
C	10942	49	14	C	11194	27	44	C	11648	43	44
C	10942	51	14	C	11195	27	45	C	11649	43	37
C	10949	53	7	C	11196	27	46	C	11650	43	38
C	10950	57	7	C	11197	27	47	C	11651	43	39
				C	11200	27	54	C	11654	51	16
				C	11201	27	41	C	11655	49	16
				C	11202	27	66	C	11656	51	29
				C	11203	27	57	C	11658	43	33

PART NO.	PAGE NO.	REF. NO.	PART NO.	PAGE NO.	REF. NO.	PART NO.	PAGE NO.	REF. NO.			
C	11659	43	32	25-	105	45	24	92-	8	55	5
C	11661	43	36	25-	105	59	24	92-	8	57	5
C	11663	43	31	25-	105	61	13	92-	8	59	15
C	11664	43	42	25-	105	61	25	95-	4	33	13
C	11667	57	1	25-	106	29	29	95-	5	23	41
C	11668	55	1	25-	106	49	28	95-	5	33	16
C	11671	49	29	25-	106	51	28	95-	5	61	24
C	11827	41	46	25-	106	61	17	95-	6	7	17
C	11828	41	47	25-	108	47	19	95-	6	29	27
C	14980	53	1	25-	108	53	6	95-	6	29	32
C	23811	51	8	25-	108	55	6	95-	6	31	4
F	19645	17	12	25-	108	57	6	111-	229	49	30
F	53650	27	50	25-	108	59	16	111-	229	51	30
F	62075	33	30	25-	145	61	26	111-	342	59	26
M	20164	9	33	25-	146	61	22	113-	3	45	21
O	9638AB	37	11	25-	148	53	36	113-	101	9	14
R	21491	27	63	25-	148	55	36	113-	118	7	7
W	5063-S	35	31	25-	148	57	36	113-	203	7	15
				25-	156	53	18	113-	205	19	17
				25-	156	55	18	113-	205	19	35
				25-	156	57	18	113-	205	21	24
				25-	224	5	5	113-	207	35	32
				25-	1112	49	3	113-	250	31	2
				25-	1112	51	3	115-	103	43	13
				25-	1510	17	4	115-	104	43	14
				25-	1510	17	16	115-	201	7	1
				12-	512	61	11	115-	203	49	19
				12-	516	33	15	115-	203	51	19
				12-	612	61	15	115-	206	49	18
				13-	440	25	17	115-	206	51	18
				13-	510	23	43	115-	406	53	14
				13-	512	23	27	83-	412	27	49
				13-	612	29	30	83-	514	27	51
				13-	612	31	11	92-	4	25	18
				13-	612	31	11	92-	4	35	41
				13-	618	31	3	92-	5	21	8
				13-	640	29	26	92-	5	23	26
				13-	644	17	9	92-	5	27	53
				13-	652	39	2	92-	5	33	7
				13-	820	23	23	92-	5	45	25
				13-	820	31	3	92-	5	59	23
				15-	512	21	7	92-	5	61	12
				15-	514	45	23	92-	6	7	16
				15-	528	33	6	92-	6	29	28
				15-	612	47	12	92-	6	29	31
				15-	656	61	21	92-	6	31	5
				15-	816	47	16	92-	6	31	12
				15-	824	47	18	92-	6	47	13
				15-	856	59	14	92-	6	49	17
				15-	896	53	4	92-	6	49	20
				15-	896	55	4	92-	6	49	25
				15-	896	57	4	92-	6	51	17
				16-	624	49	24	92-	6	51	20
				16-	624	51	24	92-	6	51	25
				25-	104	5	11	92-	6	61	16
				25-	104	35	40	92-	8	23	24
				25-	104	45	19	92-	8	29	12
				25-	105	21	9	92-	8	47	17
				25-	105	33	8	92-	8	53	5

HARDWARE CODE NUMBERS

NUMERICAL INDEX

PART NO.	PAGE NO.	REF. NO.	PART NO.	PAGE NO.	REF. NO.	PART NO.	PAGE NO.	REF. NO.			
131-	176	43	15	187-	131	9	18	218-	5059	35	24
131-	350	33	5	187-	1008	7	12	218-	5108	35	10
131-	351	43	4	187-	1014	31	10	219-	1	13	10
131-	352	33	24	187-	1014	49	2	219-	1	15	4
131-	354	31	4	187-	1014	51	2	219-	1	15	13
132-	24	21	4	187-	1102	9	12	219-	1	61	9
132-	24	29	5	192-	19	17	7	219-	8	19	14
132-	24	33	14	192-	19	29	17	219-	8	19	32
132-	26	33	22	192-	19	43	9	219-	14	17	18
132-	26	53	20	192-	20	7	9	221-	4	23	10
132-	26	55	20	192-	20	9	15	221-	672	27	52
132-	26	57	20	192-	20	43	12				
132-	46	29	11	192-	20	49	31				
132-	47	19	7	192-	20	51	31				
132-	47	19	24	192-	21	7	2				
132-	48	53	15	192-	21	17	10				
132-	48	55	15	192-	21	19	16				
132-	48	57	15	192-	21	19	34				
132-	48	59	6	192-	21	21	23				
132-	73	13	11	192-	21	35	33				
132-	73	15	9	192-	23	19	2				
132-	73	15	15	192-	23	19	21				
132-	73	19	8	193-	8	5	18				
132-	73	19	27	193-	8	45	17				
132-	91	23	35	193-	9	45	7				
132-	93	61	5	193-	29	35	6				
138-	102	23	11	193-	29	41	5				
138-	34	41	6	193-	29	41	29				
138-	143	41	30	193-	31	35	27				
138-	2002	23	32	193-	52	35	37				
138-	2007	47	9	195-	17	21	10				
138-	2008	53	10	195-	45	15	8				
138-	2008	55	10	195-	45	19	9				
138-	2008	57	10	195-	45	47	11				
141-	2	21	6	195-	103	7	8				
141-	4	53	19	195-	103	29	6				
141-	4	55	19	195-	522	21	25				
141-	4	57	19	195-	522	49	27				
141-	6	19	6	195-	522	51	27				
141-	6	19	25	195-	522	53	12				
141-	6	59	17	195-	522	55	12				
166-	8	37	2	195-	522	57	12				
166-	6	37	1	195-	530	53	23				
166-	23	35	5	195-	530	55	23				
166-	23	41	4	195-	530	57	23				
166-	23	41	28	211-	5	25	10				
166-	531	41	20	211-	9	17	28				
166-	532	41	44	213-	4	53	17				
166-	534	41	48	213-	4	55	17				
166-	561	35	26	213-	4	57	17				
171-	209	35	36	214-	103	5	9				
173-	201	33	4	217-	200	5	15				
173-	207	5	10	218-	445	35	18				
173-	207	45	18	218-	493	35	3				
172-	215	5	4	218-	494	35	12				
175-	400	43	8	218-	1056	35	22				
182-	509	45	6	218-	5006	35	23				
186-	218	61	1	218-	5008	35	25				

INGERSOLL

Ingersoll Equipment Co., Inc.